

Service Manual

 **PIONEER**[®]
The Art of Entertainment

ORDER NO.
RRV1966

AUDIO/VIDEO MULTI-CHANNEL RECEIVER

VSX-11

● Refer to the service manual RRV1911 for VSX-D507S/KUXJI.

THIS MANUAL IS APPLICABLE TO THE FOLLOWING MODEL(S) AND TYPE(S).

Type	Model	Power Requirement	Remarks
	VSX11		
KUXJI/CA	○	AC120V	

CONTENTS

1. CONTRAST OF MISCELLANEOUS PARTS	2
2. SCHEMATIC DIAGRAM	6
3. PCB CONNECTION DIAGRAM	16
4. GENERAL INFORMATION	17
4.1 ATTACHING THE DOOR PANEL	17

1. CONTRAST OF MISCELLANEOUS PARTS

NOTES : ● Parts marked by “ NSP ” are generally unavailable because they are not in our Master Spare Parts List.

- The Δ mark found on some component parts indicates the importance of the safety factor of the part. Therefore, when replacing, be sure to use parts of identical designation.
- Reference Nos. indicate the pages and Nos. in the service manual for the base model.
- Screw adjacent to \blacktriangledown mark on the product are used for disassembly.
- When ordering resistors, first convert resistance values into code form as shown in the following examples.

Ex. 1 When there are 2 effective digits (any digit apart from 0), such as 560 ohm and 47k ohm (tolerance is shown by J = 5%, and K = 10%).

560 Ω \rightarrow $56 \times 10^1 \rightarrow 561$ RD1/4PU 5 6 1 J
 47k Ω \rightarrow $47 \times 10^3 \rightarrow 473$ RD1/4PU 4 7 3 J
 0.5 Ω \rightarrow R50 RN2H R 5 0 K
 1 Ω \rightarrow 1R0 RSIP 1 R 0 K

Ex. 2 When there are 3 effective digits (such as in high precision metal film resistors).

5.62k Ω \rightarrow $562 \times 10^1 \rightarrow 5621$ RN1/4PC 5 6 2 1 F

■ CONTRAST TABLE

VSX-11/KUXJI/CA and VSX-D507S/KUXJI are constructed the same except for the following :

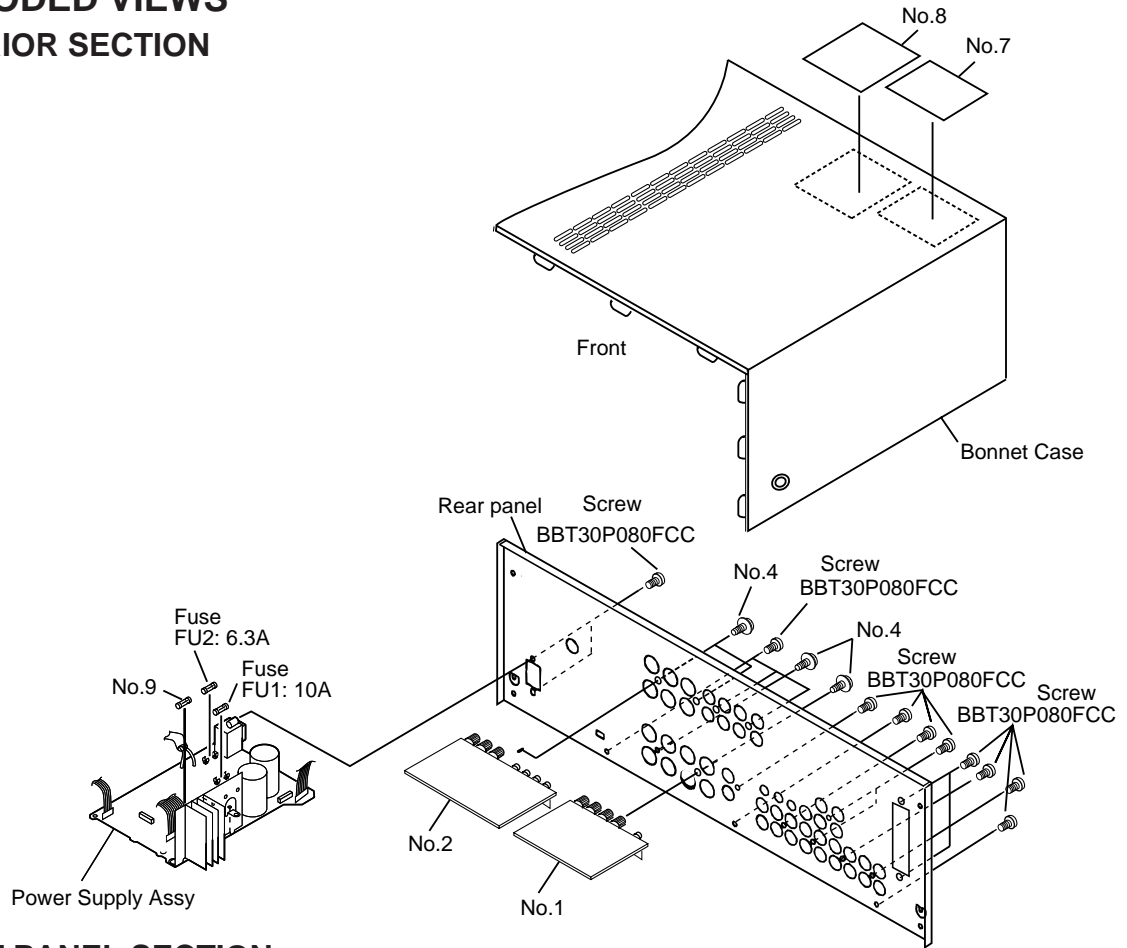
Ref. No.	Mark	Symbol and Description	Part No.		Remarks
			VSX-D507S	VSX-11	
			KUXJI	KUXJI/CA	
P5-1 P5-2 P5-3	NSP	ASSEMBLIES			
		MOTHER Assy	AWK7432	AWK7437	
		└ INPUT Assy	AWX7102	AWX7106	
P5-6 P5-7 P6-2 P6-4	NSP	└ R/C SP&6CH Assy	AWX7092	Not used	
		└ REG Assy	AWX7093	AWX7203	
		└ HP&FAV Assy	AWX7103	Not used	
P5-6 P5-7 P6-2 P6-4	NSP	FRONT & PS Assy	AWK7433	AWK7438	
		└ POWER SUPPLY Assy	AWX7096	AWX7204	
		└ VIDEO Assy	AWX7105	AWX7110	
P5-11 P5-17 P5-19 P5-26 P5-30	Δ	└ FL&UCOM Assy	AWX7104	AWX7107	
		└ VOLUME Assy	AWX7097	AWX7205	
		ELITE ASSY	Not used	AWK7439	
P3-3 P3-4 P3-11	NSP	└ LARGE FSP Assy	Not used	AWX7108	No.1
		└ LAGE RCSP Assy	Not used	AWX7109	No.2
		└ HP ASSY	Not used	AWX7159	No.3
P3-3 P3-4 P3-11	NSP	PACKING			
		Operating Instructions (English)	ARB7134	ARB7135	
		Warranty Card	ARY1051	ARY7007	
P5-11 P5-17 P5-19 P5-26 P5-30	Δ	Packing Case	AHD7554	AHD7556	
		EXTERIOR SECTION			
		Power Transformer T1 (AC120V)	ATS7207	ATS7208	
P5-11 P5-17 P5-19 P5-26 P5-30	Δ	Flat Flexible Cable (12P)	ADD7090	ADD7091	
		Rear Panel	ANC7624	ANC7626	
		Foot Assy (Rear Side)	REC1263	Not used	
P5-11 P5-17 P5-19 P5-26 P5-30	Δ	Screw	ABA7043	ABA1022	
		Screw	Not used	ABA1193	No.4
		Screw	Not used	ABA7023	No.5
P5-11 P5-17 P5-19 P5-26 P5-30	Δ	Screw	Not used	ABA7035	No.6
		FCC Label	Not used	VRW1725	No.7
		DOC Label	Not used	VRW1726	No.8
P5-11 P5-17 P5-19 P5-26 P5-30	Δ	Fuse (FU4: 10A)	Not used	REK1087	No.9
		FRONT PANEL SECTION			
		Sub Panel	AAP7041	AAP7039	
P6-16 P6-17 P6-24	Δ	Front Panel	AMB7486	AMB7487	
		Housing 5P Shield	ADX7238	Not used	
		Plate Spring	Not used	ABK7011	No.10
P6-16 P6-17 P6-24	Δ	Door Hinge L	Not used	AMR7171	No.11
		Door Hinge R	Not used	AMR7172	No.12
		Door Panel	Not used	AAK7561	No.13
P6-16 P6-17 P6-24	Δ	PVC Panel	Not used	AAK7534	No.14
		Dumper Assy	Not used	AXA7046	No.15
		Door Plate	Not used	ANG7187	No.16
P6-16 P6-17 P6-24	Δ	Collar Spacer	Not used	AEC7146	No.17

Note: ● The numbers in the remarks column correspond to the numbers on the exploded diagram, Refer to “EXPLODED VIEWS”.

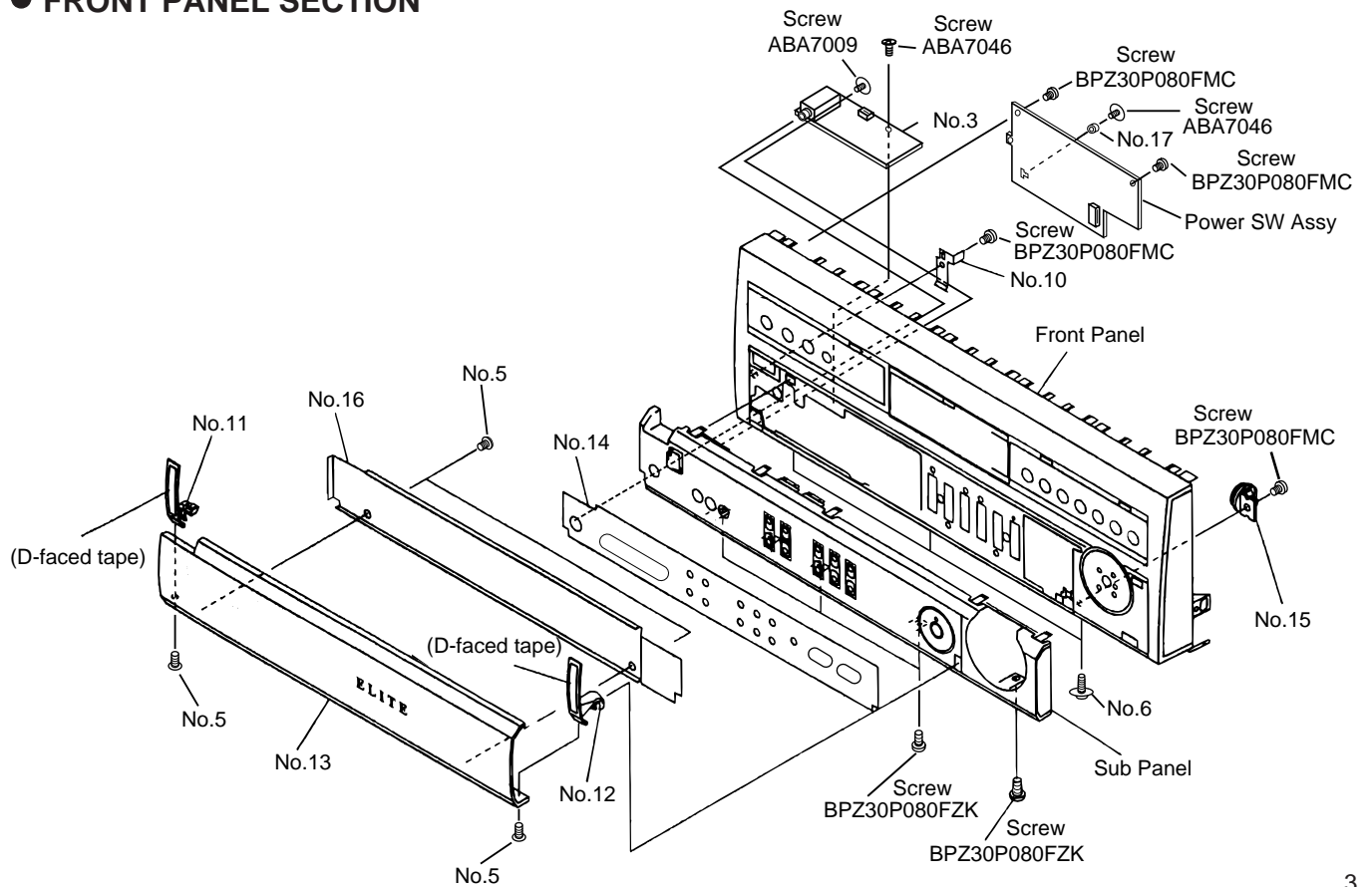
● For ASSEMBLIES, Refer to “ ■ CONTRAST OF PCB ASSEMBLIES” and “2. SCHEMATIC AND PCB DIAGRAMS”.

■ EXPLODED VIEWS

● EXTERIOR SECTION



● FRONT PANEL SECTION



VSX-11

■ CONTRAST OF PCB ASSEMBLIES

F 1/2 **F** 2/2 INPUT ASSY

AWX7106 and AWX7102 are constructed the same except for the following :

Mark	Symbol and Description	Part No.		Remarks	
		AWX7102	AWX7106		
NSP	IC151, IC181, IC201, IC221 Q101, Q102 C151, C152	NJM4558D Not used CEAT2R2M50	UPC4570C 2SC2878 ACH7004 (2.2μF/50V) ACH7096 (220μF/16V) CEAT101M16		
	C153, C154	CEAT221M16	ACH7003 (4.7μF/50V) ACH7096 (220μF/16V)		
	C155, C156, C260, C265, C269, C273	CEAT101M10	CEZA4R7M50 CCCSL221K2H CEAT1R0M2A		
	C181, C182, C189, C190	CEAT4R7M50	CEANP2R2M2A RD1/4PU122J RD1/4PU102J RD1/4PU223J RDR1/6PU272J		
	C203, C361	CEAT221M10	RDR1/6PU182J Not used Not used Not used DYY03-125-2651		
	C211, C219 C272, C294 C313, C314, C1313, C1314	CEAT4R7M50 CCCSL221J50 CEAT1R0M50			
	C323, C324, C1323, C1324, C1365 R119, R120 R121, R122 R123, R124 R145, R146	CEANP2R2M50 Not used Not used Not used RD1/4PU272J			
	R147, R148 CN108 PLUG 5P CN114 PIN JACK 4P CN351 PIN JACK 6P J19 JUMPER WIRE	RD1/4PU182J KM250MA5 AKB7015 AKE7006 Not used			
	NSP	J20 JUMPER WIRE 114 PIN JACK 6P 353 CONNECTOR ASSY 3P 354 CONNECTOR ASSY 8P	Not used Not used Not used Not used	DYY08-100-2651 AKB7012 51052-0300 51052-0800	

G F FL&UCOM ASSY

AWX7107 and AWX7104 are constructed the same except for the following :

Mark	Symbol and Description	Part No.		Remarks
		AWX7104	AWX7107	
	D621 D622 R654	1SS254 Not used RD1/4PU103J	Not used 1SS254 Not used	

B REG ASSY

AWX7203 and AWX7093 are constructed the same except for the following :

Mark	Symbol and Description	Part No.		Remarks
		AWX7093	AWX7203	
	C503, C504 C506	CEAT101M16 CEAT101M10	CEBA101M16 CEAT101M16	

I F POWER SUPPLY ASSY

AWX7204 and AWX7096 are constructed the same except for the following :

Mark	Symbol and Description	Part No.		Remarks
		AWX7096	AWX7204	
	C707, C708 C715, C716 H707, H708 (FUSE CLIP)	CEAT472M25 ACH7018 (8200μF/71V) Not used	ACH7095 (4700μF/25V) ACH7094 (10000μF/71V) AKR1004	

L VIDEO ASSY

AWX7110 and AWX7105 are constructed the same except for the following :

Mark	Symbol and Description	Part No.		Remarks
		AWX7105	AWX7110	
	Q933 D934- D938 C932 R936, R937 R938, R939, R941	Not used Not used Not used Not used Not used	2SA933S 1SS254 CKCYB682K50 RD1/4PU224J RD1/4PU102J	
	R940 933 MINI JACK	Not used Not used	RD1/4PU103J AKN7002	

M VOLUME ASSY

AWX7205 and AWX7097 are constructed the same except for the following :

Mark	Symbol and Description	Part No.		Remarks
		AWX7097	AWX7205	
	Q806, Q808 Q805, Q807 C805, C806	2SC2603 2SA1115 CEAT4R7M50	2SC5389 2SA1993 ACH7003 (4.7μF/50V)	
	C809, C810 C813, C814, C817, C818	CEAT4R7M50 CEAT4R7M50	CEZA4R7M50 ACH7003 (4.7μF/50V)	
	C822, C826	CEAT4R7M50	CEZA4R7M50	

PCB PARTS LIST

Mark	No.	Description	Part No.	Mark	No.	Description	Part No.
------	-----	-------------	----------	------	-----	-------------	----------

N LARGE FSP ASSY

SEMICONDUCTORS

Q1001, Q1002 2SC2878

RESISTORS

All Resistors RD1/4PU□□□J

OTHERS

CN1001 SPEAKER TERMINAL 8P AKE7036
CN1002 JUMPER CONNECTOR 8P KPD8
CN1003 JUMPER CONNECTOR 3P KPD3
CN1004 PINJACK 2P AKB7008

RESISTORS

⚠ R1051, R1053, R1054 RD1/4PMF100J
⚠ R1055, R1057, R1058 RS1LMF4R7J
Other Resistors RD1/4PU□□□J

OTHERS

1051 CABLE HOLDER 3P 51052-0300
CN1051 FFC CONNECTOR 12P XKP3012
CN1052 SPEAKER TERMINAL 6P AKE7037
CN1053, CN1054 PINJACK 4P AKB7087
CN1055 JUMPER CONNECTOR 6P KPD6
J17 JUMPER WIRE DYY03-200-2651

P LARGE RCSP ASSY

SEMICONDUCTORS

IC1071, IC1072 NJM4558D
Q1051 KRA101M
Q1052 2SC1740S
Q1055 2SC2878
D1051, D1052 1SS254

COILS AND FILTERS

L1051, L1053, L1054 (0.7μH) ATH1004

SWITCHES AND RELAYS

RY1051, RY1052 ASR7001

CAPACITORS

C1071- C1074 CEAT2R2M50
C1051, C1053, C1054 CFTLA104J50
C1055- C1057, C1081, C1082 CGCYX473M16
C1075- C1078 CKPUYY103M16

O HP ASSY

SEMICONDUCTORS

Q1101, Q1102 2SC2878

CAPACITORS

C1101 CGCYX104M16

RESISTORS

R1103, R1104 RD1/4PU103J
Other Resistors RD1/2PM□□□J

OTHERS

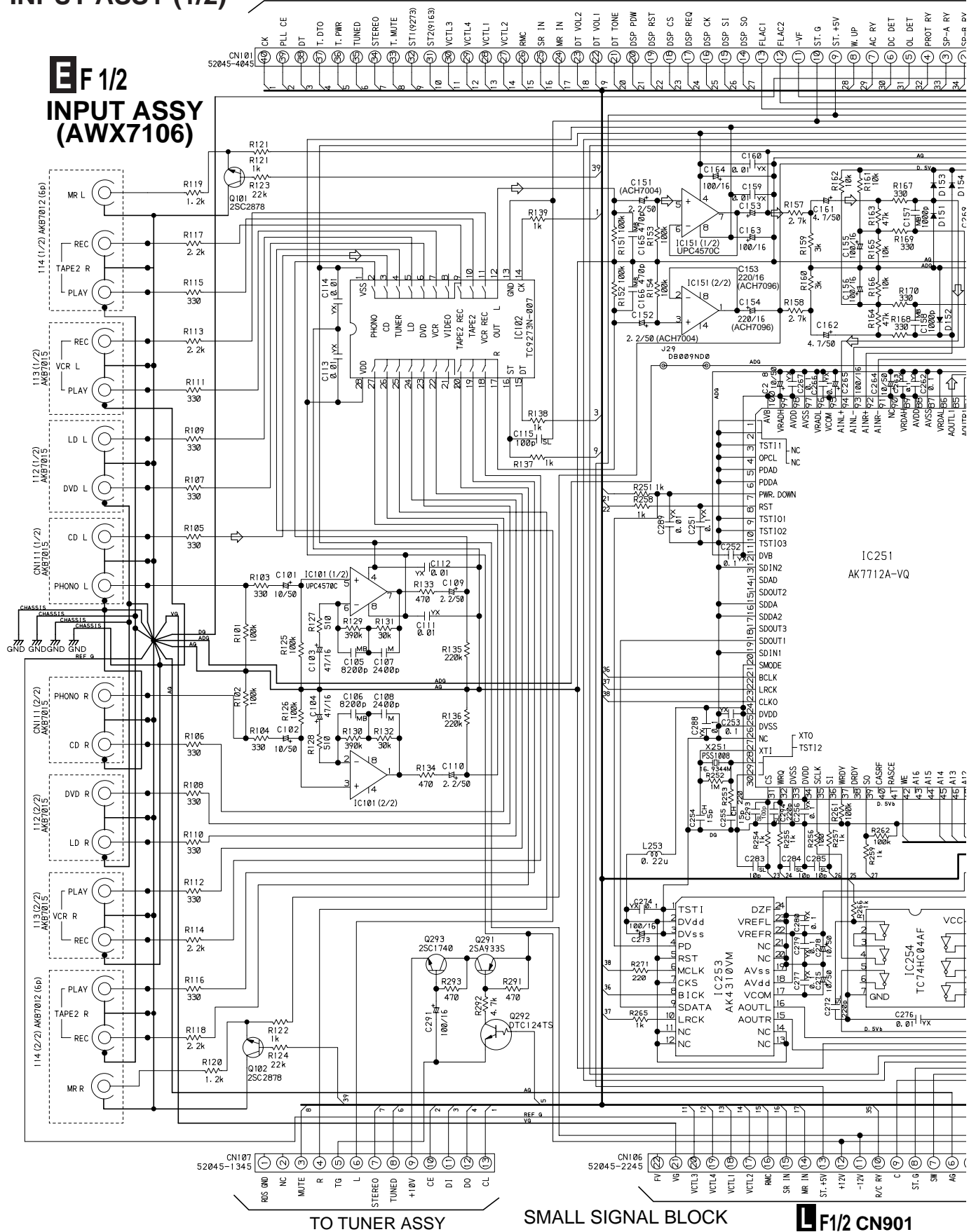
1102 GROUND PLATE VNF-091
CN1101 CONNECTOR 4P 52045-0445
JA1101 HEADPHONE JACK RKN1002

2. SCHEMATIC DIAGRAM

2.1 INPUT ASSY (1/2)

GF 1/2 CN601

EF 1/2 INPUT ASSY (AWX7106)



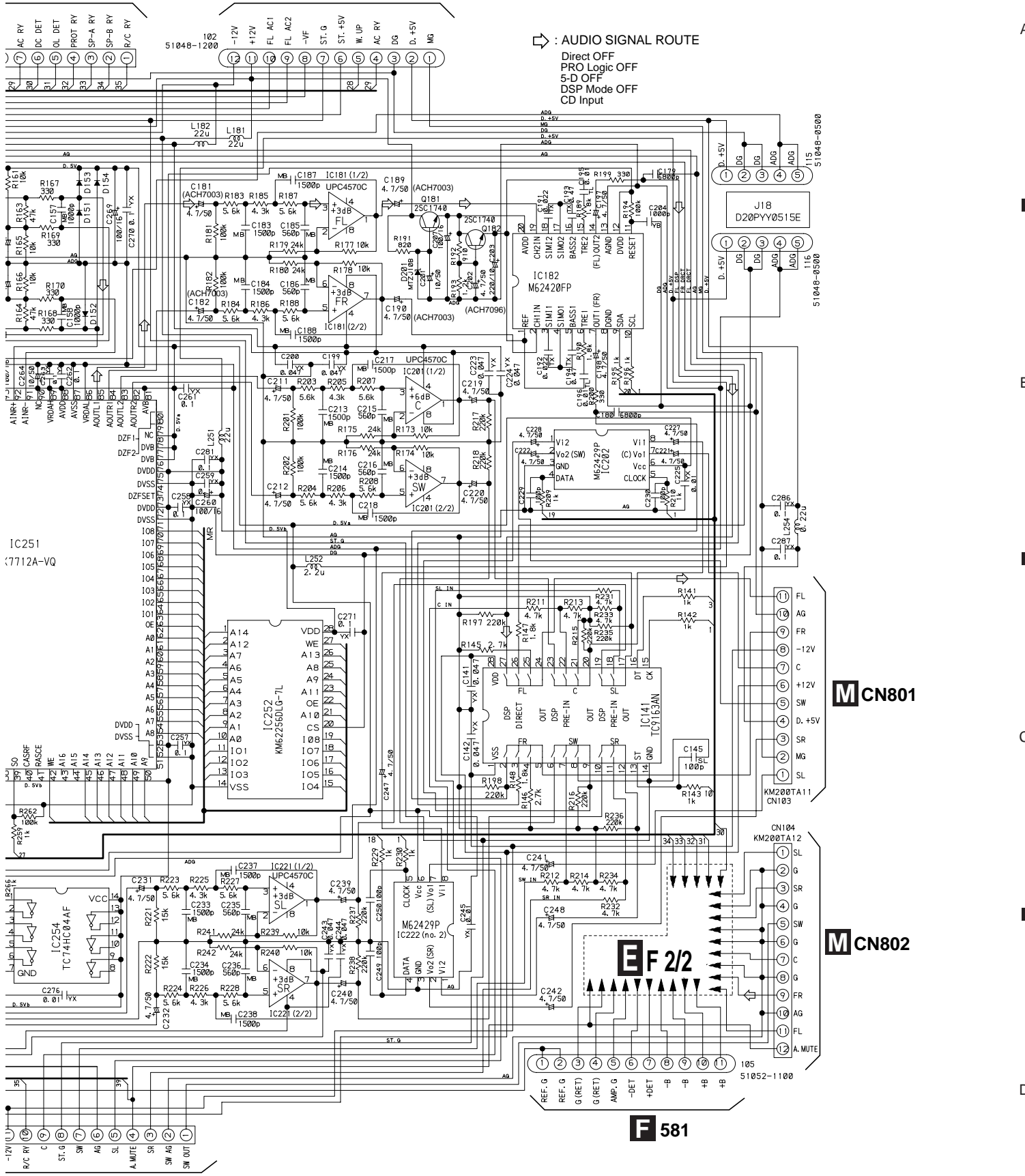
TO TUNER ASSY

SMALL SIGNAL BLOCK

LF1/2 CN901

NOTE: When ordering service parts, be sure to refer to "PARTS LIST of EXPLODED VIEWS" or "PCB PARTS LIST".

B 502



CN901

F 581

2.2 INPUT ASSY (2/2)

A

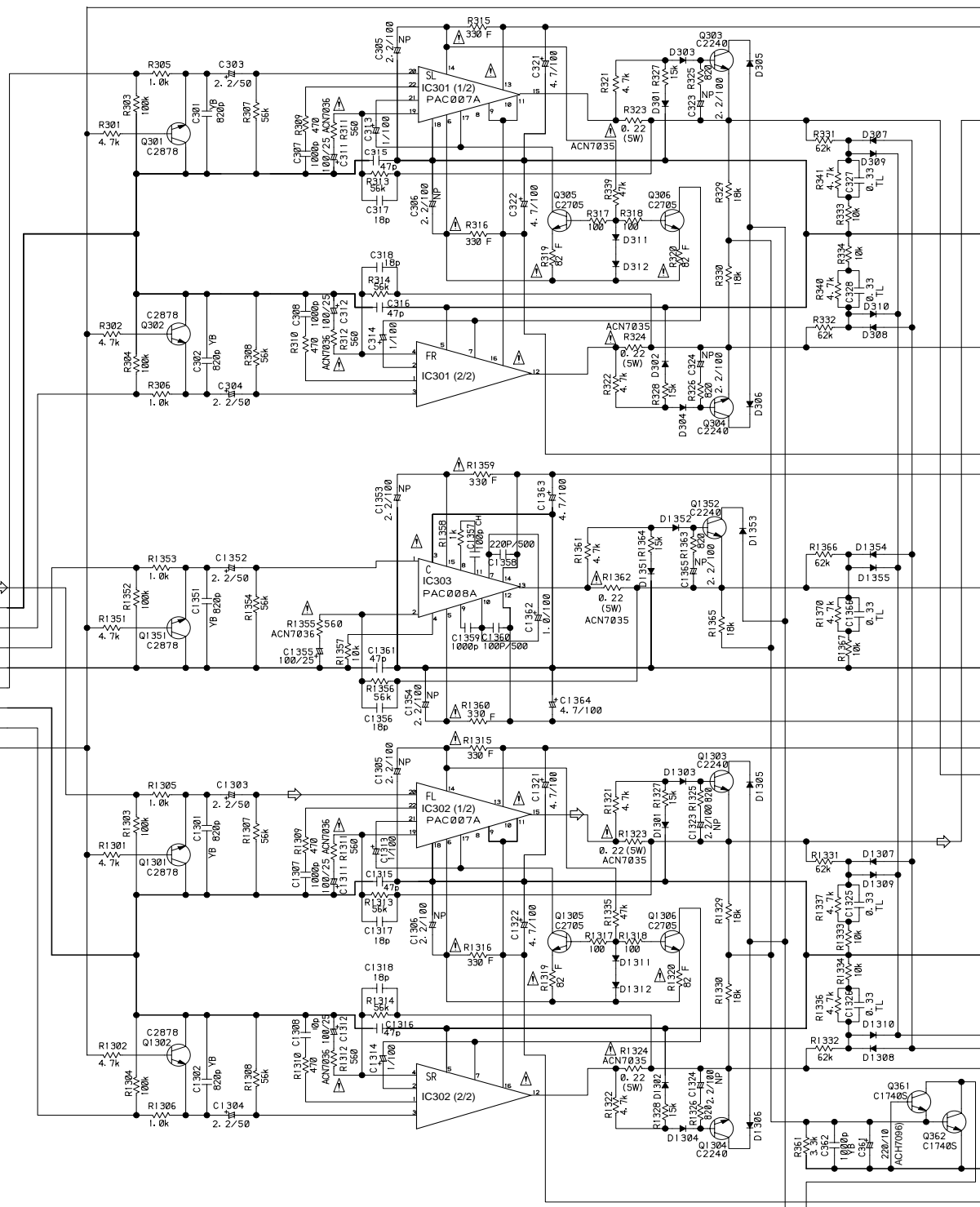
B

C

D

EF 1/2

EF 1/2



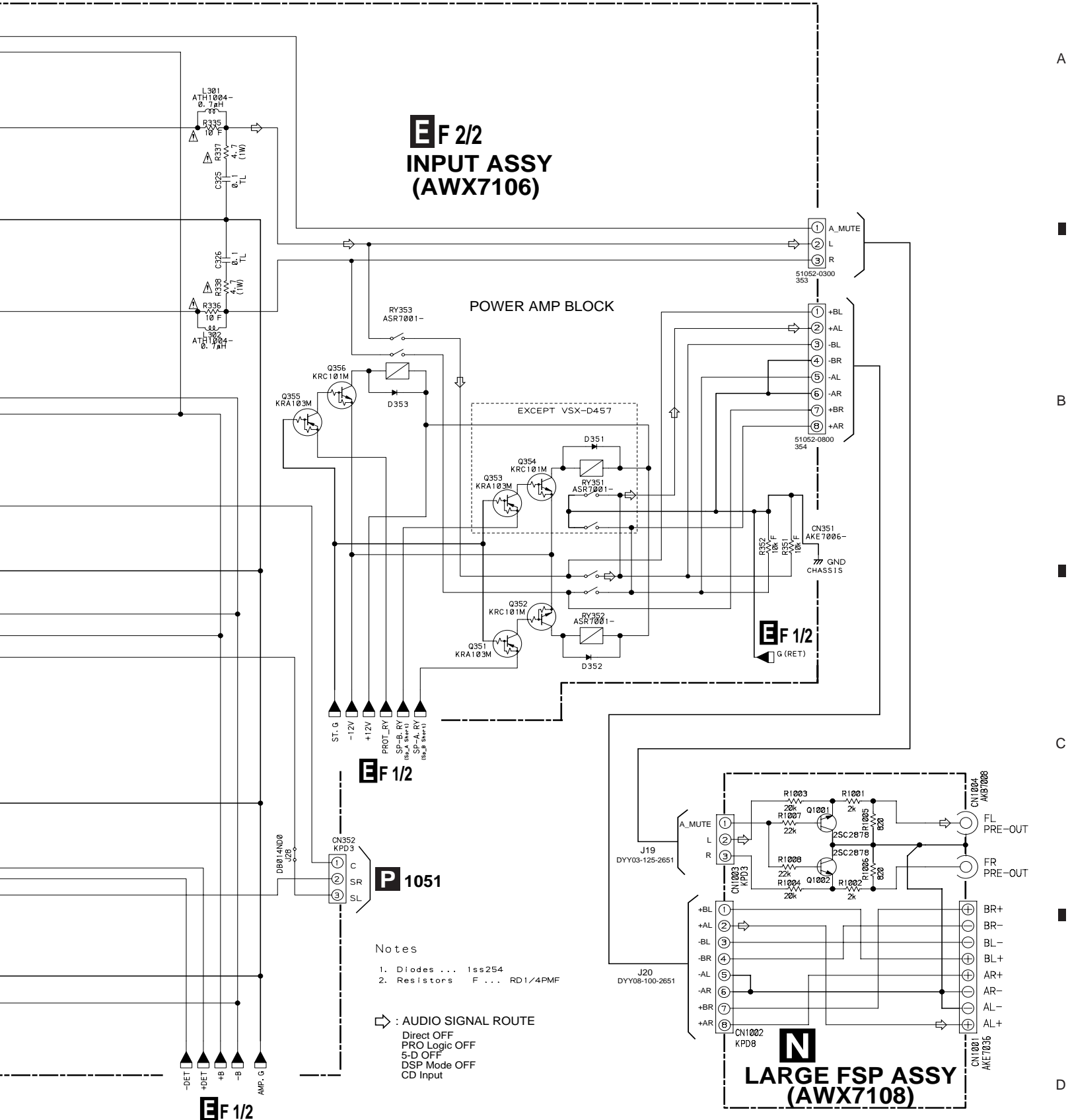
The Δ mark found on some component parts the importance of the safety factor of the parts. Therefore, when replacing, be sure to use parts of identical designation.

EF 2/2 INPUT ASSY (AWX7106)

POWER AMP BLOCK

EF 1/2 G (RET)

N LARGE FSP ASSY (AWX7108)



- Notes
1. Diodes ... 1ss254
 2. Resistors F ... RD1/4PMF
- ⇒ : AUDIO SIGNAL ROUTE
- Direct OFF
PRO Logic OFF
5-D OFF
DSP Mode OFF
CD Input

VSX-11

2.3 FL&UCOM ASSY

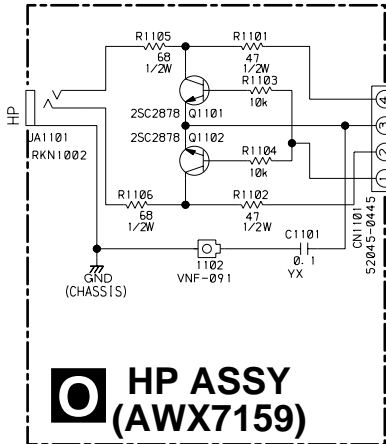
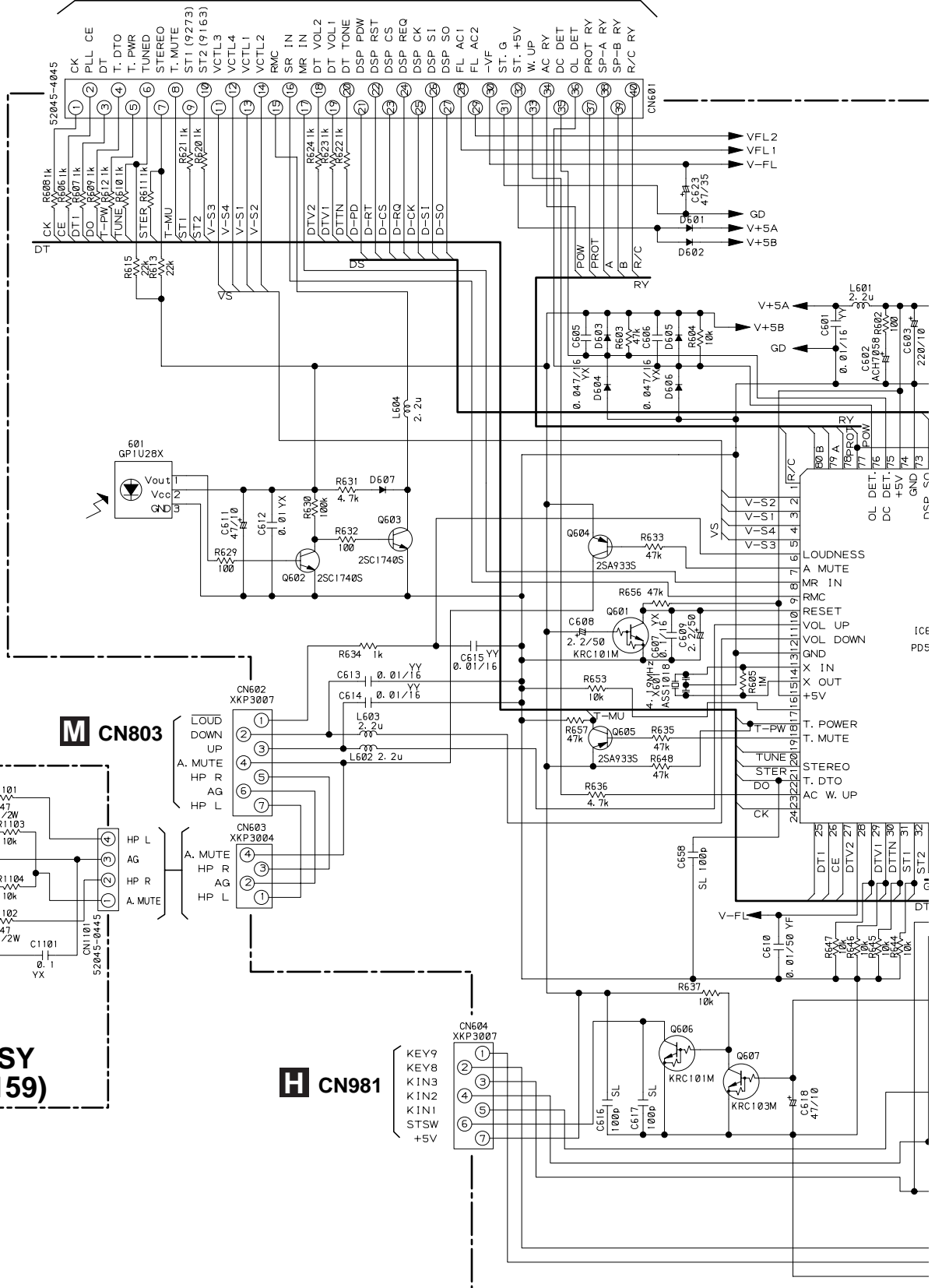
F 1/2 CN101

A

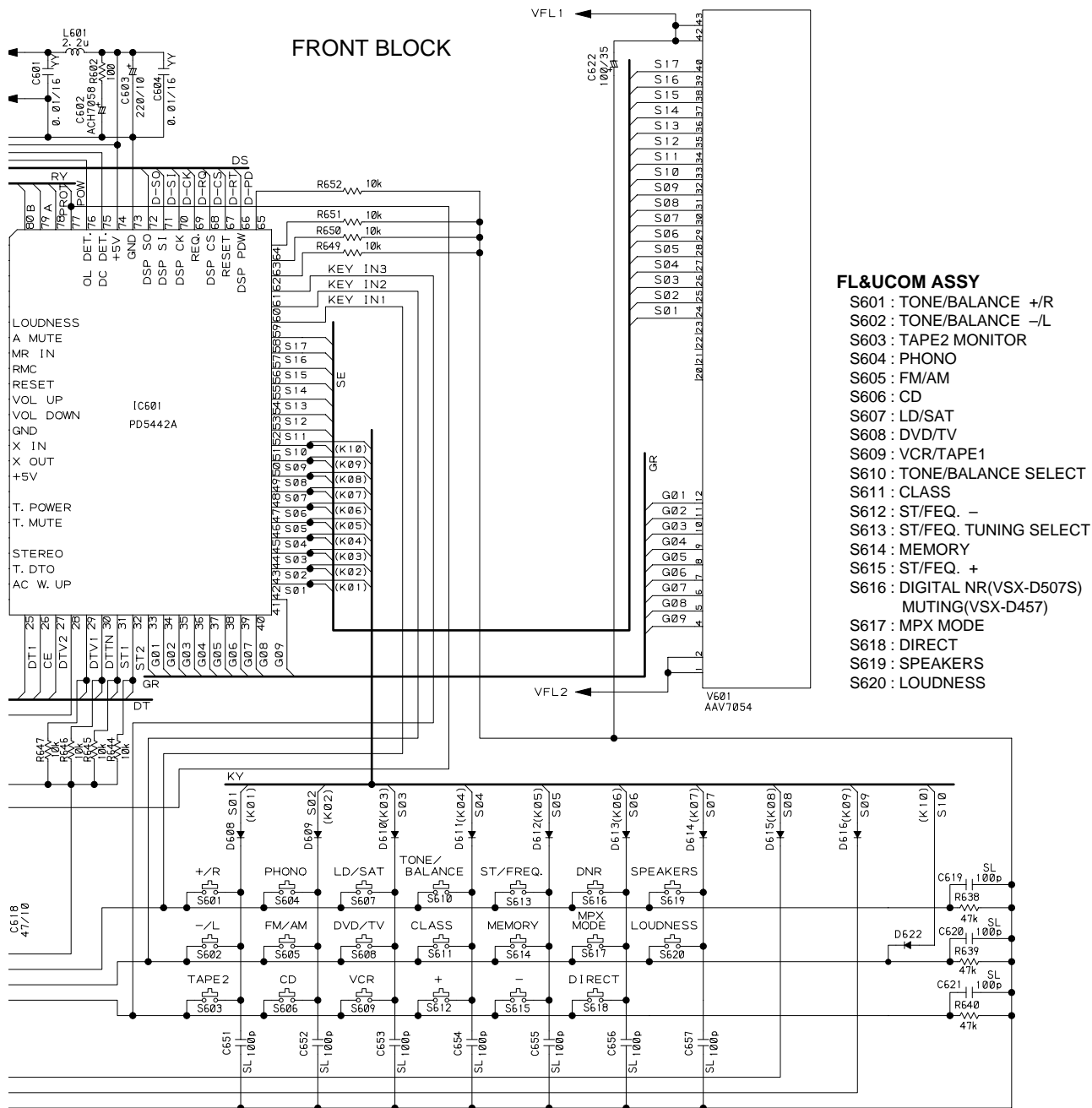
B

C

D



GF FL&UCOM ASSY (AWX7107)



VSX-11

2.4 POWER SUPPLY ASSY

A

B

C

D

POWER SUPPLY ASSY
S711 : IMPEDANCE SELECTOR

KP250NA11

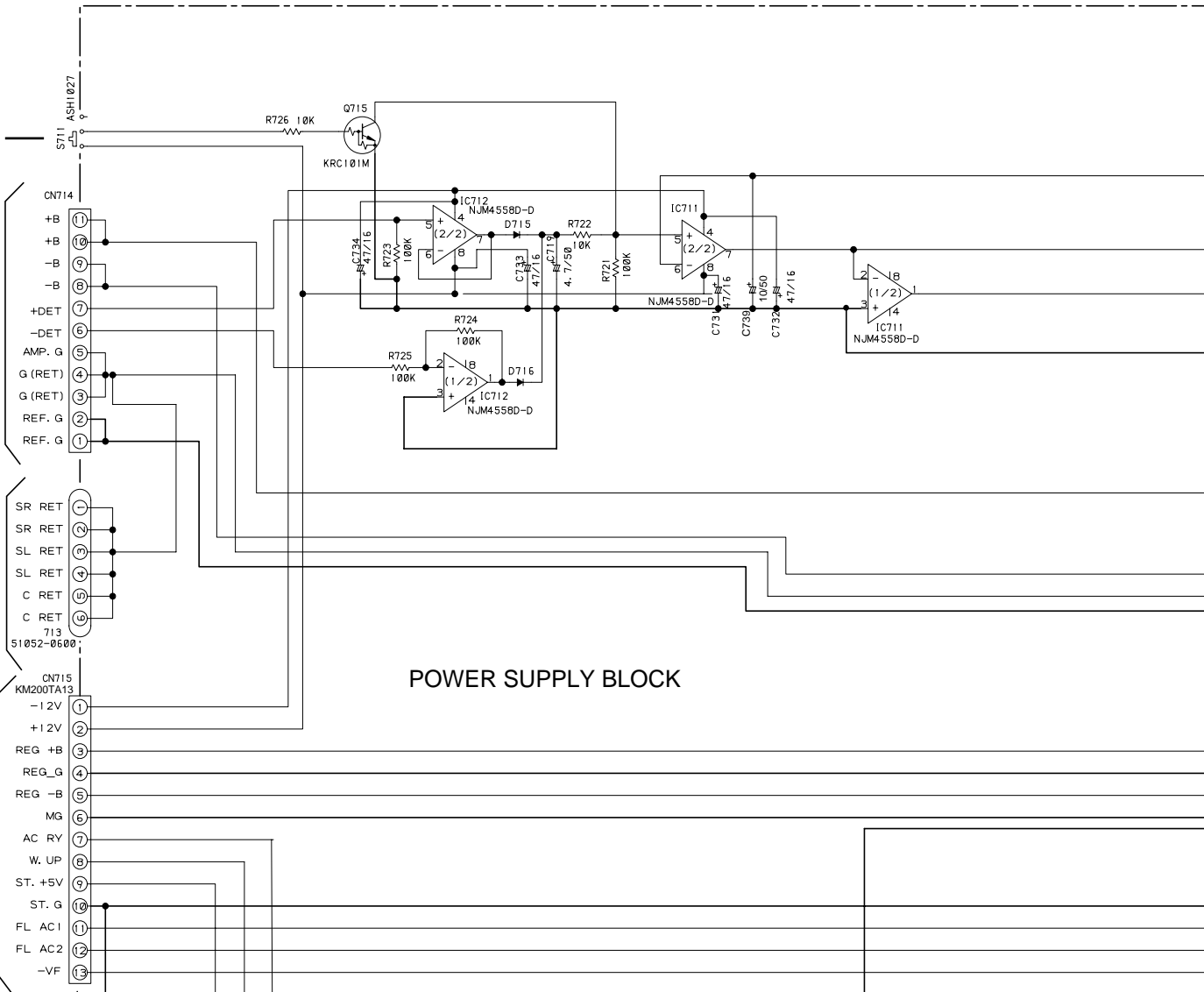
F CN582

J15
DYV06-150-2651

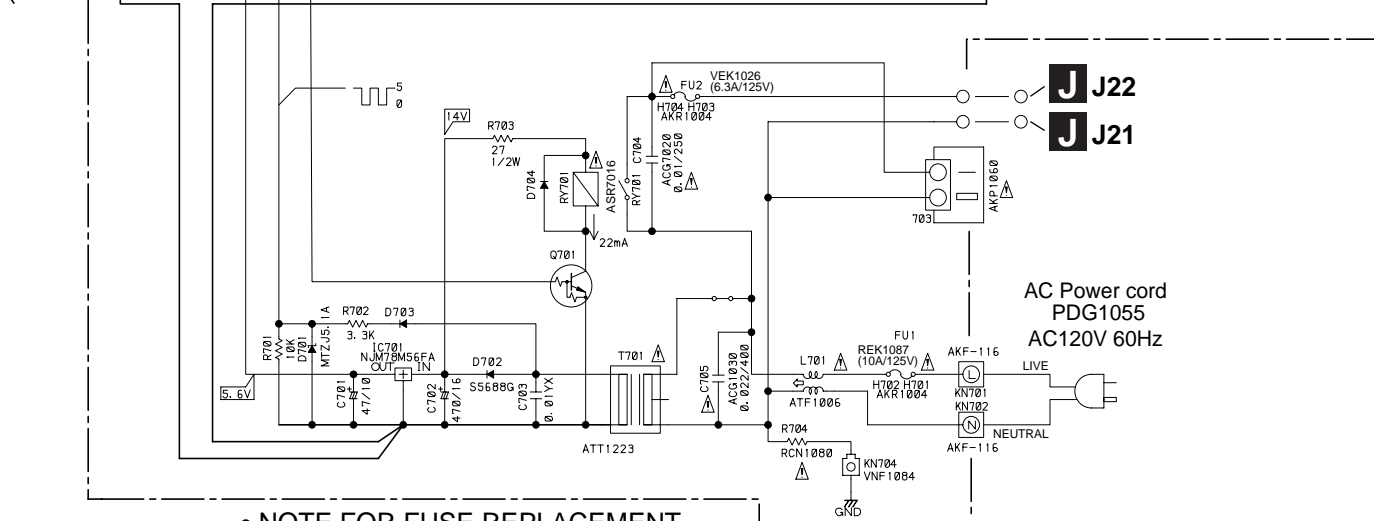
P CN1055

CN715
KM200TA13

D CN572



POWER SUPPLY BLOCK

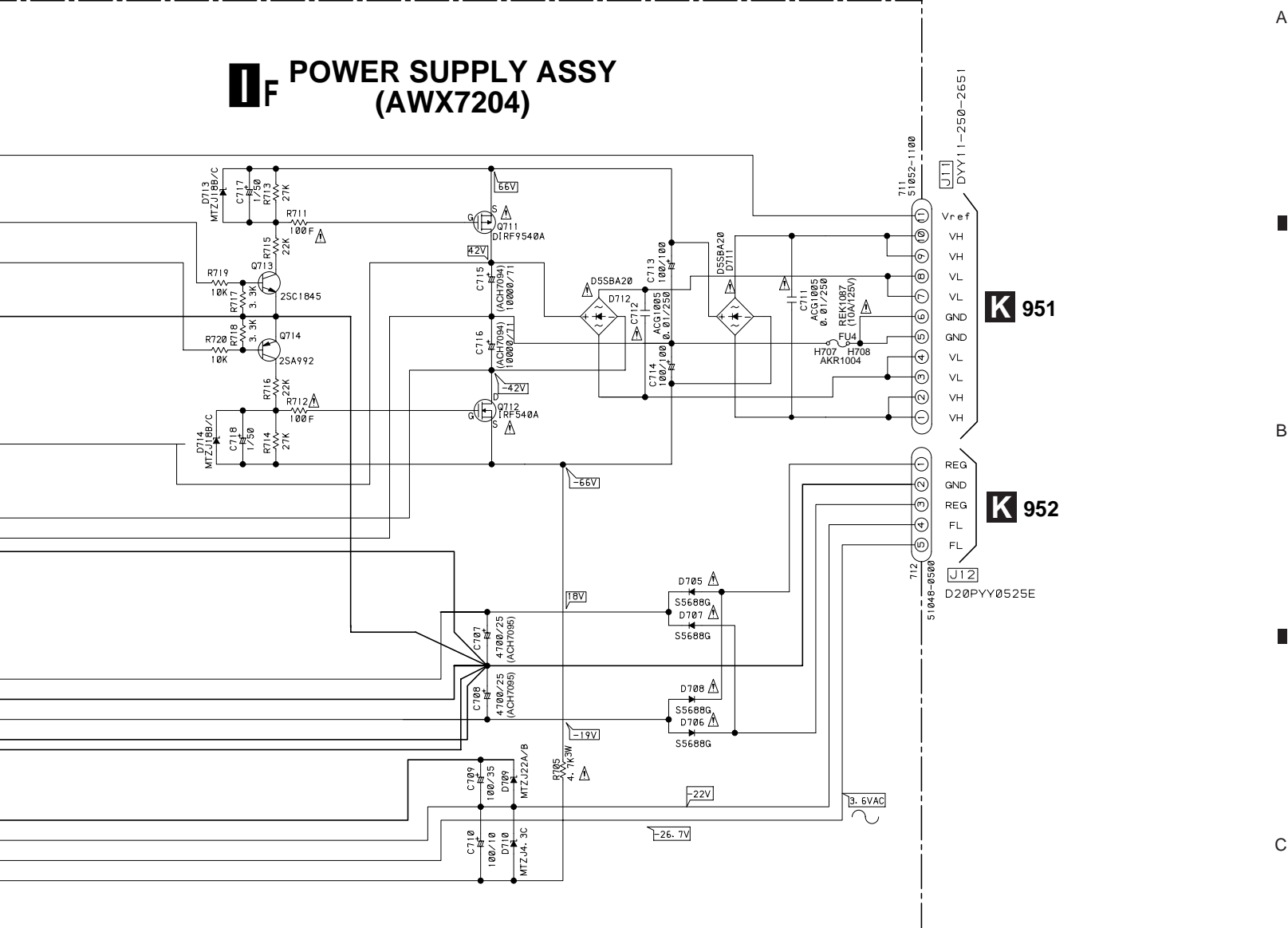


AC Power cord
PDG1055
AC120V 60Hz

• NOTE FOR FUSE REPLACEMENT

CAUTION -FOR CONTINUED PROTECTION AGAINST RISK OF FIRE.
REPLACE WITH SAME TYPE AND RATINGS ONLY.

POWER SUPPLY ASSY (AWX7204)



The Δ mark found on some component parts indicates the importance of the safety factor of the parts. Therefore, when replacing, be sure to use parts of identical designation.

VSX-11

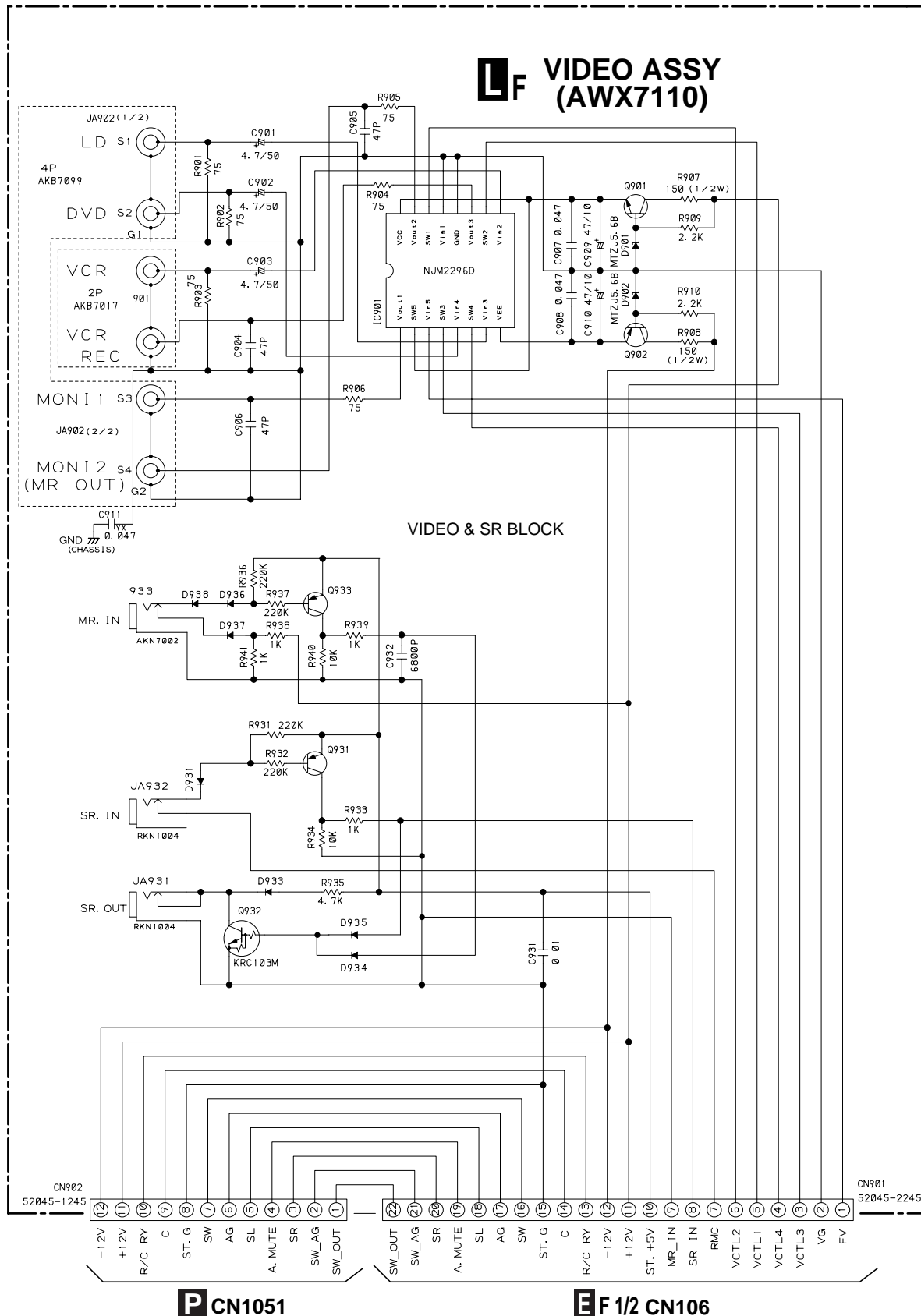
2.5 VIDEO ASSY

A

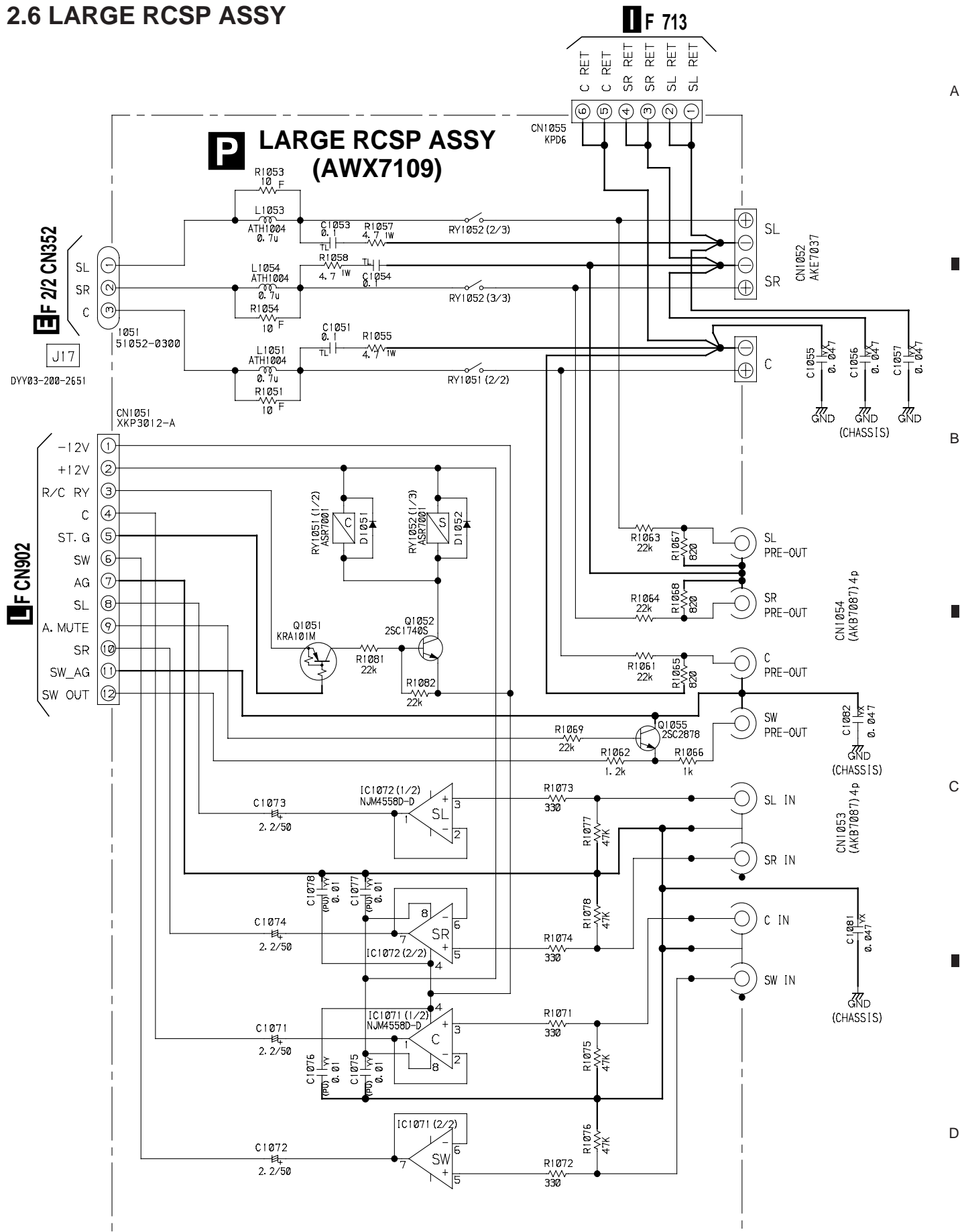
B

C

D



2.6 LARGE RCSP ASSY



VSX-11

3. PCB CONNECTION DIAGRAM

3.1 LAEGE FSP, HP and LARGE RCSP ASSY

A

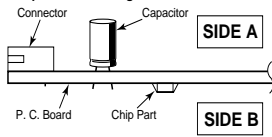
NOTE FOR PCB DIAGRAMS:

1. Part numbers in PCB diagrams match those in the schematic diagrams.
2. A comparison between the main parts of PCB and schematic diagrams is shown below.

Symbol in PCB Diagrams	Symbol in Schematic Diagrams	Part Name
		Transistor
		Transistor with resistor
		Field effect transistor
		Resistor array
		3-terminal regulator

3. The parts mounted on this PCB include all necessary parts for several destination.
- For further information for respective destinations, be sure to check with the schematic diagram.

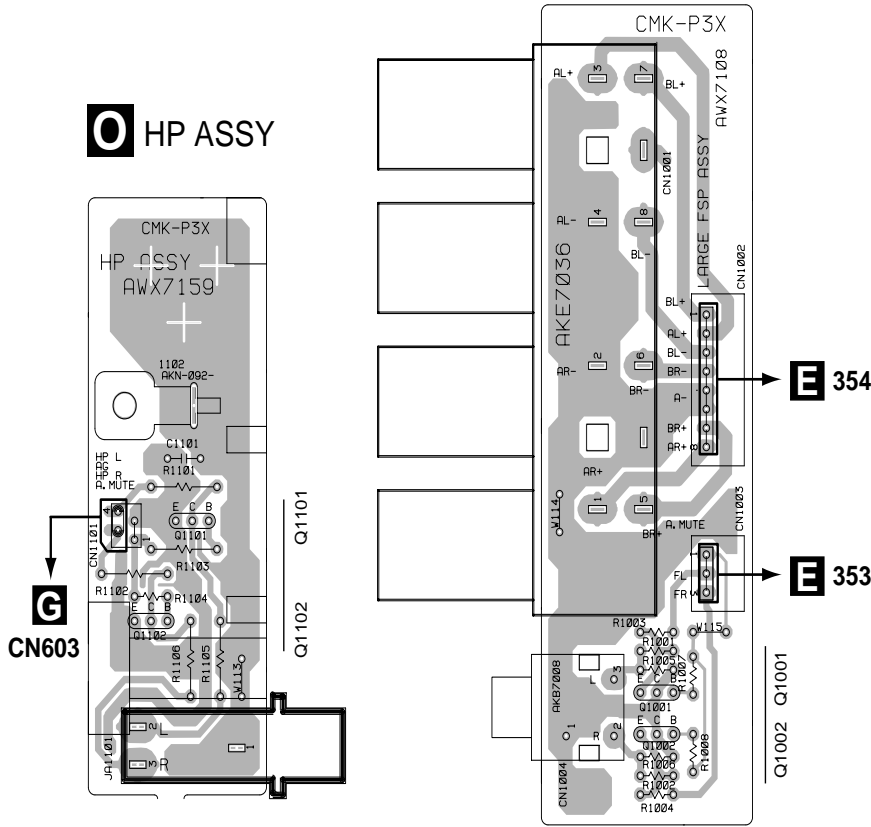
4. Viewpoint of PCB diagrams



B

N LARGE FSP ASSY

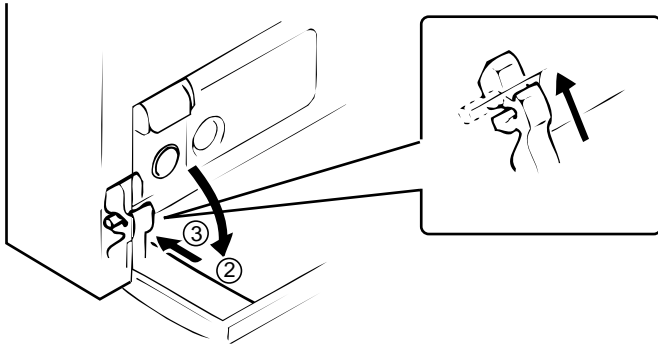
O HP ASSY



4. GENERAL INFORMATION

4.1 ATTACHING THE DOOR PANEL

- ① Slide the Door Panel slantways.
- ② Rotate it so that it is horizontal.
- ③ Push it straight in.



- ④ Move it downwards a little, and push in with bending it.

