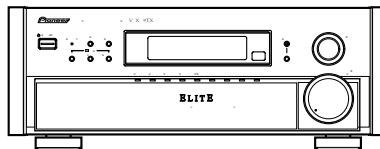


Service Manual

Pioneer



ORDER NO.
RRV2133

AUDIO/VIDEO MULTI-CHANNEL RECEIVER

VSX-29TX

VSX-27TX

VSX-26TX

VSX-24TX

VSX-D908S

THIS MANUAL IS APPLICABLE TO THE FOLLOWING MODEL(S) AND TYPE(S).

Type	Model					Power Requirement	Remarks
	VSX-29TX	VSX-27TX	VSX-26TX	VSX-24TX	VSX-D908S		
KU/CA	○	○	○	○	○	AC120V	

CONTENTS

1. SAFETY INFORMATION	2	7. GENERAL INFORMATION	84
2. EXPLODED VIEWS AND PARTS LIST	3	7.1 DISASSEMBLY	84
3. BLOCK DIAGRAM AND SCHEMATIC DIAGRAM	10	7.2 PARTS	86
4. PCB CONNECTION DIAGRAM	48	7.2.1 IC	86
5. PCB PARTS LIST	71	7.2.2 DISPLAY	90
6. ADJUSTMENT	83	7.3 REMOTE CONTROL UNIT	92
		8. PANEL FACILITIES AND SPECIFICATIONS	103

PIONEER ELECTRONIC CORPORATION 4-1, Meguro 1-Chome, Meguro-ku, Tokyo 153-8654, Japan
PIONEER ELECTRONICS SERVICE, INC. P.O. Box 1760, Long Beach, CA 90801-1760, U.S.A.
PIONEER ELECTRONIC (EUROPE) N.V. Haven 1087, Keetberglaan 1, 9120 Melsele, Belgium
PIONEER ELECTRONICS ASIACENTRE PTE. LTD. 253 Alexandra Road, #04-01, Singapore 159936
 © PIONEER ELECTRONIC CORPORATION 1999

VSX-29TX, VSX-27TX, VSX-26TX, VSX-24TX, VSX-D908S

1. SAFETY INFORMATION

This service manual is intended for qualified service technicians ; it is not meant for the casual do-it-yourselfer. Qualified technicians have the necessary test equipment and tools, and have been trained to properly and safely repair complex products such as those covered by this manual.

Improperly performed repairs can adversely affect the safety and reliability of the product and may void the warranty. If you are not qualified to perform the repair of this product properly and safely, you should not risk trying to do so and refer the repair to a qualified service technician.



WARNING

This product contains lead in solder and certain electrical parts contain chemicals which are known to the state of California to cause cancer, birth defects or other reproductive harm.

Health & Safety Code Section 25249.6 – Proposition 65



NOTICE

(FOR CANADIAN MODEL ONLY)

Fuse symbols  (fast operating fuse) and/or  (slow operating fuse) on PCB indicate that replacement parts must be of identical designation.

REMARQUE

(POUR MODÈLE CANADIEN SEULEMENT)

Les symboles de fusible  (fusible de type rapide) et/ou  (fusible de type lent) sur CCI indiquent que les pièces de remplacement doivent avoir la même désignation.

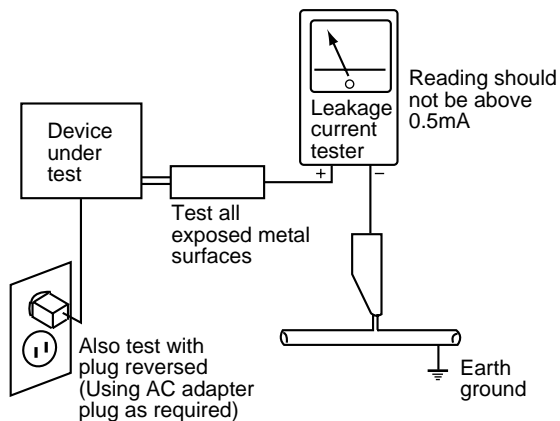
(FOR USA MODEL ONLY)

1. SAFETY PRECAUTIONS

The following check should be performed for the continued protection of the customer and service technician.

LEAKAGE CURRENT CHECK

Measure leakage current to a known earth ground (water pipe, conduit, etc.) by connecting a leakage current tester such as Simpson Model 229-2 or equivalent between the earth ground and all exposed metal parts of the appliance (input/output terminals, screwheads, metal overlays, control shaft, etc.). Plug the AC line cord of the appliance directly into a 120V AC 60Hz outlet and turn the AC power switch on. Any current measured must not exceed 0.5mA.



AC Leakage Test

ANY MEASUREMENTS NOT WITHIN THE LIMITS OUTLINED ABOVE ARE INDICATIVE OF A POTENTIAL SHOCK HAZARD AND MUST BE CORRECTED BEFORE RETURNING THE APPLIANCE TO THE CUSTOMER.

2. PRODUCT SAFETY NOTICE

Many electrical and mechanical parts in the appliance have special safety related characteristics. These are often not evident from visual inspection nor the protection afforded by them necessarily can be obtained by using replacement components rated for voltage, wattage, etc. Replacement parts which have these special safety characteristics are identified in this Service Manual.

Electrical components having such features are identified by marking with a Δ on the schematics and on the parts list in this Service Manual.

The use of a substitute replacement component which does not have the same safety characteristics as the PIONEER recommended replacement one, shown in the parts list in this Service Manual, may create shock, fire, or other hazards.

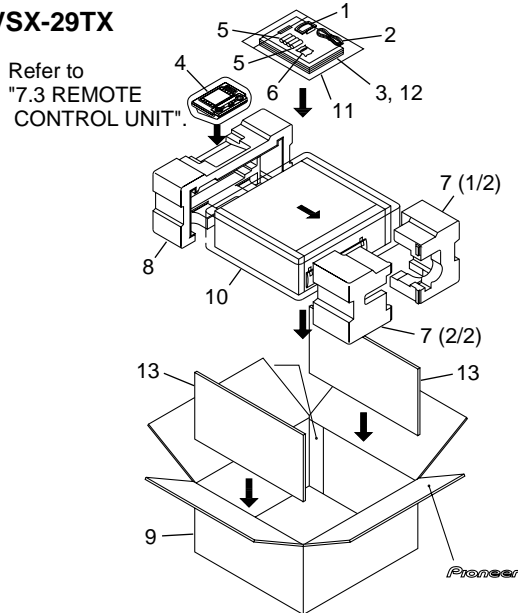
Product Safety is continuously under review and new instructions are issued from time to time. For the latest information, always consult the current PIONEER Service Manual. A subscription to, or additional copies of, PIONEER Service Manual may be obtained at a nominal charge from PIONEER.

2. EXPLODED VIEWS AND PARTS LIST

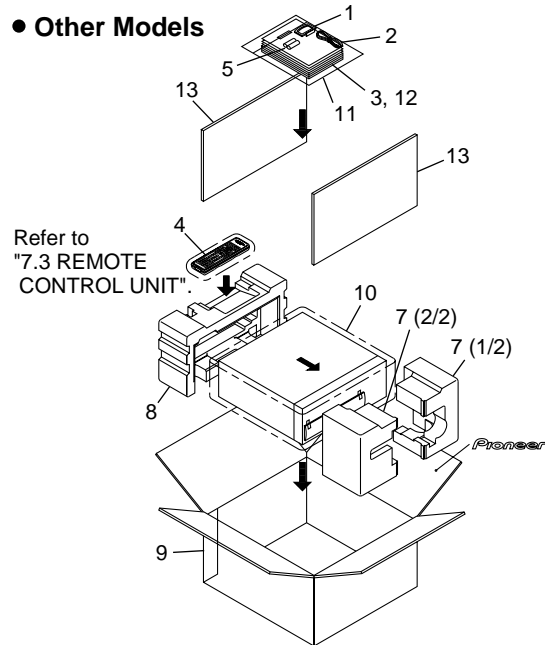
- NOTES: ● Parts marked by "NSP" are generally unavailable because they are not in our Master Spare Parts List.
● The Δ mark found on some component parts indicates the importance of the safety factor of the part. Therefore, when replacing, be sure to use parts of identical designation.
● Screws adjacent to ∇ mark on the product are used for disassembly.

2.1 PACKING

● VSX-29TX



● Other Models



(1) PACKING PARTS LIST

Mark	No.	Description	Part No.	Mark	No.	Description	Part No.
	1	AM Loop Antenna	ATB7009		8	Rear Pad	See Contrast table (2)
	2	FM Wire Antenna	ADH1015		9	Packing Case	See Contrast table (2)
	3	Operating Instructions (English)	See Contrast table (2)		10	Packing Sheet	RHC1023
	4	Remote Control Unit	See Contrast table (2)		11	Polyethylene Bag (0.03×230×340)	Z21-038
NSP	5	Alkaline Dry Cell Battery (LR6, AA)	VEM1012	NSP	12	Warranty Card	See Contrast table (2)
	6	Cushion for Remote (for Remote Control Unit)	See Contrast table (2)		13	Spacer	See Contrast table (2)
	7	Front Pad	See Contrast table (2)				

(2) CONTRAST TABLE

VSX-29TX, VSX-27TX, VSX-26TX, VSX-24TX and VSX-D908S are constructed the same except for the following :

Mark	No.	Symbol and Description	Part No.					Remarks
			VSX-29TX	VSX-27TX	VSX-26TX	VSX-24TX	VSX-D908S	
	3	Operating Instructions (English)	ARB7188	ARB7186	ARB7186	ARB7186	ARB7193	
	4	Remote Control Unit (CU-VSX158)	AXD7216	Not used	Not used	Not used	Not used	
	4	Remote Control Unit (CU-VSX159)	Not used	AXD7212	AXD7212	AXD7212	Not used	
	4	Remote Control Unit (CU-VSX161)	Not used	Not used	Not used	Not used	AXD7213	
	6	Cushion for Remote	AXG7080	Not used	Not used	Not used	Not used	
	7	Front Pad 29	AHA7255	Not used	Not used	Not used	Not used	
	7	Front Pad 26	Not used	AHA7253	AHA7253	AHA7253	AHA7253	
	8	Rear Pad 29	AHA7256	Not used	Not used	Not used	Not used	
	8	Rear Pad 26	Not used	AHA7254	AHA7254	AHA7254	AHA7254	
	9	Packing Case 29TX	AHD7810	Not used	Not used	Not used	Not used	
	9	Packing Case 27TX	Not used	AHD7783	Not used	Not used	Not used	
	9	Packing Case 26TX	Not used	Not used	AHD7811	Not used	Not used	
	9	Packing Case 24TX	Not used	Not used	Not used	AHD7784	Not used	
	9	Packing Case 908S	Not used	Not used	Not used	Not used	AHD7785	
NSP	12	Warranty Card EL	ARY1026	ARY1026	ARY1026	ARY1026	Not used	
	12	Warranty Card PA	Not used	Not used	Not used	Not used	ARY7023	
	13	Spacer 29	AHB7033	Not used	Not used	Not used	Not used	
	13	Spacer 26	Not used	AHB7032	AHB7032	AHB7032	AHB7032	

VSX-29TX, VSX-27TX, VSX-26TX, VSX-24TX, VSX-D908S

(1) EXTERIOR PARTS LIST

Mark	No.	Description	Part No.	Mark	No.	Description	Part No.
NSP	1	EXTRA-5.1 Assy	See Contrast table (2)		36	Lead Card 28P (J23)	ADD7171
NSP	2	EXTERNAL IN Assy	See Contrast table (2)		37	Assy Holder	See Contrast table (2)
NSP	3	A-PINJACK Assy	See Contrast table (2)		38	Assy Holder B	AMR7267
	4	CONNECTION Assy	AWX7313		39	Card Spacer	AEC7133
	5	MAIN CONTROL Assy	See Contrast table (2)		40	Card Spacer	DEC1772
	6	TRANS 2-1 ASSY	AWX7326		41	•••••	
	7	DIODE Assy	AWX7343		42	Cushion 55	PNM1316
	8	SP/PS Assy	See Contrast table (2)	NSP	43	Frame	See Contrast table (2)
	9	REGULATOR Assy	AWX7310		44	Insulator	PNW2766
	10	TRANS 1 Assy	AWX7316		45	Locking Card Spacer	DEC1908
	11	TRANS 2-2 Assy	AWX7366		46	•••••	
	12	VIDEO Assy	See Contrast table (2)		47	•••••	
	13	S-VIDEO Assy	See Contrast table (2)	NSP	48	Panel Stay	See Contrast table (2)
	14	VOLUME Assy	See Contrast table (2)		49	PC Support	VEC1549
	15	PRIMARY Assy	AWX7311	NSP	50	PCB Holder	AEC7057
	16	DIGITAL-I/O Assy	See Contrast table (2)	NSP	51	PCB Holder	PNW2100
NSP	17	RF TERMINAL Assy	See Contrast table (2)	NSP	52	PCB Mould	AMR1525
NSP	18	DSP Assy	See Contrast table (2)		53	PCB Spacer	AEC1372
	19	V-AMP Assy	See Contrast table (2)		54	Rear Panel	See Contrast table (2)
△	20	AC Power Cord	See Contrast table (2)		55	Shield Case	See Contrast table (2)
△	21	Power Transformer (T1)	ATS7252		56	Side Board 29 L	See Contrast table (2)
	22	FM/AM TUNER Unit	AXX7046		57	Side Board 29 R	See Contrast table (2)
△	23	Fuse (FU1 : 10A)	VEK1029		58	Side Escutcheon L	See Contrast table (2)
△	24	Fuse (FU4 : 2.5A)	REK1079		59	Side Escutcheon R	See Contrast table (2)
△	25	Fuse (FU5 : 2.5A)	REK1079		60	Side Sash L 29	See Contrast table (2)
	26	AC Cord Spacer	See Contrast table (2)		61	Side Sash R 29	See Contrast table (2)
	27	Bonnet Case	See Contrast table (2)		62	Stud Cover	AEC7105
	28	2P Shield with Housing (J24)	See Contrast table (2)		63	Terminal Screw	AKE-031
	29	Lead Card 07P (J13)	ADD7161	NSP	64	Under Base 29	See Contrast table (2)
	30	Lead Card 11P AD (J22)	ADD7170	NSP	65	Binder (BK-1)	ZCA-BK1
	31	Lead Card 13P AD (J16)	ADD7169		66	Screw	BBT30P080FCC
	32	Lead Card 14P (J17)	ADD7165		67	Screw	BBZ30P080FZK
	33	Lead Card 21P (J18)	ADD7164		68	Screw	ABA1193
	34	Lead Card 23P BD SLD (J12)	ADD7160		69	Screw	IBZ30P080FCC
	35	Lead Card 26P (J15)	ADD7163		70	Screw	BBZ30P180FMC
					71	Screw	See Contrast table (2)
					72	Screw	BBT30P040FZK
					73	Screw	FBT40P080FZK
					74	Wood Collar	See Contrast table (2)
					75	Screw	See Contrast table (2)

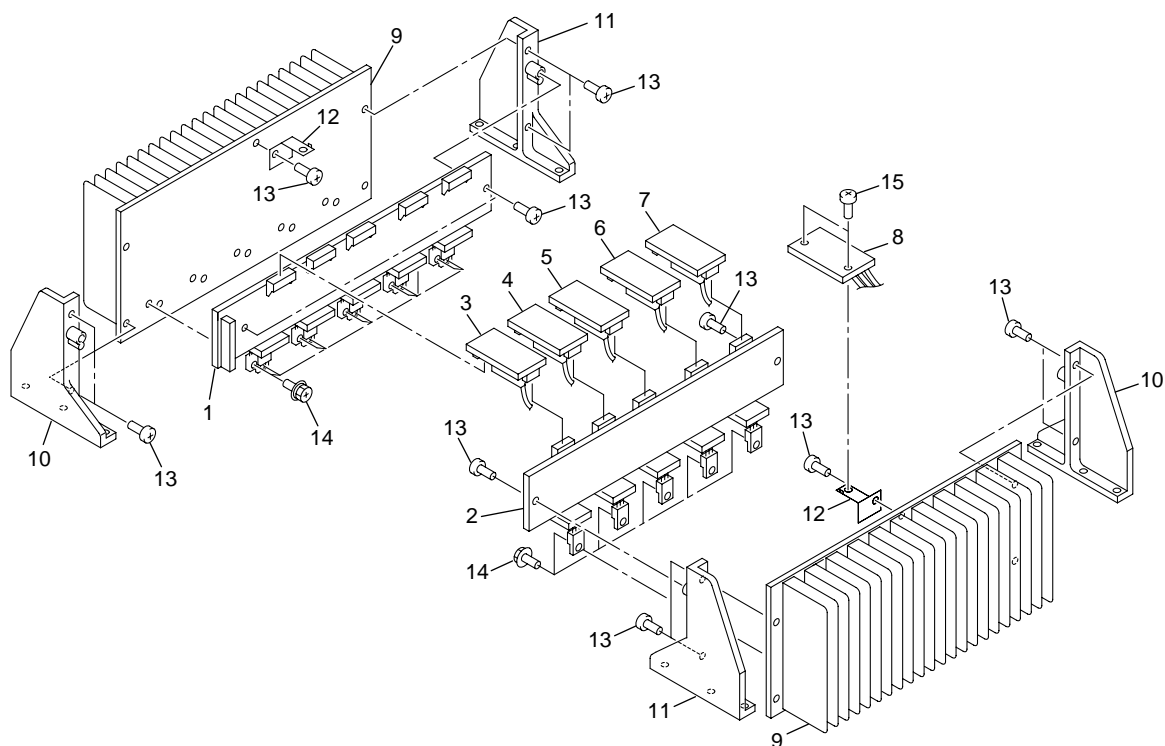
**VSX-29TX, VSX-27TX, VSX-26TX,
VSX-24TX, VSX-D908S**

(2) CONTRAST TABLE

VSX-29TX, VSX-27TX, VSX-26TX, VSX-24TX and VSX-D908S are constructed the same except for the following :

Mark	No.	Symbol and Description	Part No.					Remarks
			VSX-29TX	VSX-27TX	VSX-26TX	VSX-24TX	VSX-D908S	
NSP	1	EXTRA-5.1 Assy	AWX7314	Not used	Not used	Not used	Not used	
NSP	2	EXTERNAL IN Assy	Not used	AWX7398	AWX7398	AWX7398	AWX7398	
NSP	3	A-PINJACK Assy	AWX7312	AWX7397	AWX7397	AWX7401	AWX7397	
	5	MAIN CONTROL Assy	AWX7306	AWX7393	AWX7399	AWX7406	AWX7424	
	8	SP/PS Assy	AWX7272	AWX7272	AWX7433	AWX7433	AWX7433	
	12	VIDEO Assy	AWX7307	AWX7394	AWX7394	AWX7407	AWX7394	
	13	S-VIDEO Assy	AWX7308	AWX7395	AWX7395	AWX7395	AWX7395	
	14	VOLUME Assy	AWX7367	AWX7367	Not used	Not used	Not used	
	16	DIGITAL-I/O Assy	AWX7315	AWX7396	AWX7396	AWX7396	AWX7396	
NSP	17	RF TERMINAL Assy	AWX7376	AWX7376	Not used	Not used	Not used	
NSP	18	DSP Assy	AWX7272	AWX7272	AWX7433	AWX7433	AWX7433	
	19	V-AMP Assy	AWX7309	AWX7309	AWX7309	AWX7409	AWX7409	
△	20	AC Power Cord	ADG7028	ADG7028	ADG7024	ADG7024	ADG7024	
	26	AC Cord Spacer	ANG1153	ANG1153	Not used	Not used	Not used	
	26	Cord Stopper	Not used	Not used	CM-22C	CM-22C	CM-22C	
	27	Bonnet Case 29	AZN7790	Not used	Not used	Not used	Not used	
	27	Bonnet Case 26	Not used	AZN7789	AZN7789	AZN7789	AZN7789	
	28	2P Shield with Housing (J24)	ADX7250	ADX7250	Not used	Not used	Not used	
	37	Assy Holder	ANG7139	ANG7121	ANG7121	ANG7121	ANG7121	
NSP	43	Frame 29	ANG7243	Not used	Not used	Not used	Not used	
NSP	43	Frame 26	Not used	ANG7238	ANG7238	ANG7238	ANG7238	
NSP	48	Panel Stay 29	AND7032	Not used	Not used	Not used	Not used	
NSP	48	Panel Stay 26	Not used	AND7031	AND7031	AND7031	AND7031	
	54	Rear Panel 29	ANC7738	Not used	Not used	Not used	Not used	
	54	Rear Panel 27	Not used	ANC7737	Not used	Not used	Not used	
	54	Rear Panel 26	Not used	Not used	ANC7736	Not used	Not used	
	54	Rear Panel 24	Not used	Not used	Not used	ANC7847	Not used	
	54	Rear Panel D908S	Not used	Not used	Not used	Not used	ANC7848	
	55	Shield Case 29	ANK7055	Not used	Not used	Not used	Not used	
	55	Shield Case 26	Not used	ANK7054	ANK7054	ANK7054	ANK7054	
	56	Side Board 29 L	AMS7013	Not used	Not used	Not used	Not used	
	57	Side Board 29 R	AMS7014	Not used	Not used	Not used	Not used	
	58	Side Escutcheon L 29	AAK7635	Not used	Not used	Not used	Not used	
	58	Side Escutcheon L 26	Not used	AAK7633	AAK7633	AAK7633	AAK7633	
	59	Side Escutcheon R 29	AAK7636	Not used	Not used	Not used	Not used	
	59	Side Escutcheon R 26	Not used	AAK7634	AAK7634	AAK7634	AAK7634	
	60	Side Sash L 29	AAH7019	Not used	Not used	Not used	Not used	
	61	Side Sash R 29	AAH7020	Not used	Not used	Not used	Not used	
	64	Under Base 29	ANA7091	Not used	Not used	Not used	Not used	
NSP	64	Under Base 26	Not used	ANA7089	ANA7089	ANA7089	ANA7089	
	71	Screw	ABA1015	ABA1015	ABA1015	ABA1015	ABA1053	
	74	Wood Collar	AEC1165	Not used	Not used	Not used	Not used	
	75	Screw	ABA1086	Not used	Not used	Not used	Not used	

2.3 HEAT SINK SECTION



(1) HEAT SINK SECTION PARTS LIST

Mark	No.	Description	Part No.
	1	C-AMP N Assy	AWX7318
NSP	2	C-AMP-P Assy	AWX7317
NSP	3	OUTPUT-SL Assy	AWX7322
NSP	4	OUTPUT-FL Assy	AWX7319
	5	OUTPUT-C Assy	AWX7321
NSP	6	OUTPUT-FR Assy	AWX7320
NSP	7	OUTPUT-SR Assy	AWX7323
	8	VL-TERMINAL Assy	AWX7324
NSP	9	Heat Sink	See Contrast table (2)
	10	Heat Sink Holder A	AMR7255
	11	Heat Sink Holder B	AMR7256
NSP	12	Power Supply Plate	ANG7240
	13	Screw	BBZ30P080FZK
	14	Screw	ABA1082
	15	Screw	IBZ30P080FCC

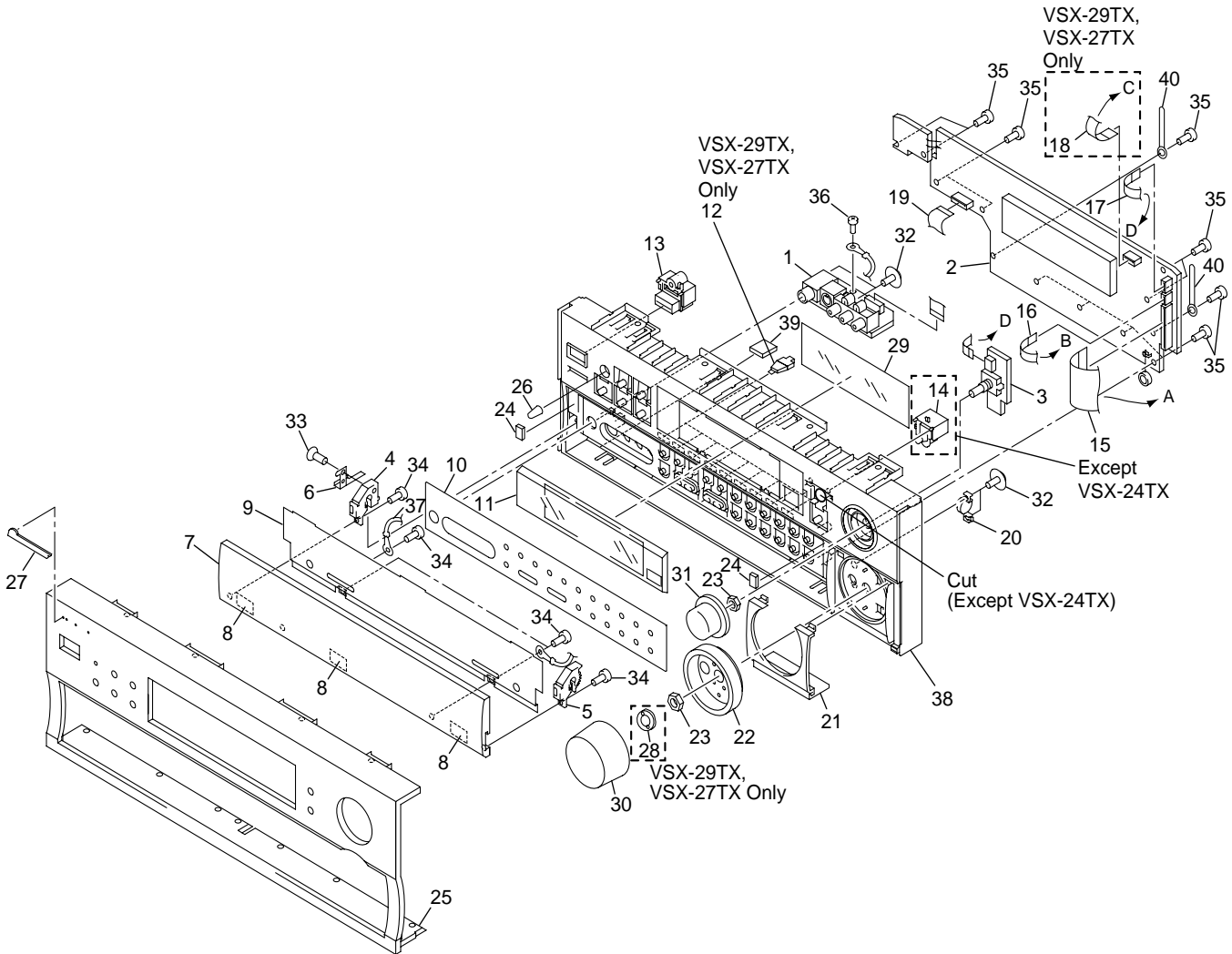
(2) CONTRAST TABLE

VSX-29TX, VSX-27TX, VSX-26TX, VSX-24TX and VSX-D908S are constructed the same except for the following :

Mark	No.	Symbol and Description	Part No.					Remarks
			VSX-29TX	VSX-27TX	VSX-26TX	VSX-24TX	VSX-D908S	
NSP	9	Heat Sink D10	ANH7103	ANH7103	Not used	Not used	Not used	
NSP	9	Heat Sink 26	Not used	Not used	ANH7102	ANH7102	ANH7102	

**VSX-29TX, VSX-27TX, VSX-26TX,
VSX-24TX, VSX-D908S**

2.4 FRONT PANEL SECTION



VSX-29TX, VSX-27TX, VSX-26TX, VSX-24TX, VSX-D908S

(1) FRONT PANEL SECTION PARTS LIST

Mark	No.	Description	Part No.	Mark	No.	Description	Part No.
NSP	1	H. PHONE/F. VIDEO Assy	AWX7342		21	Sub Panel	See Contrast table (2)
	2	DISPLAY Assy	See Contrast table (2)		22	Volume Ring	See Contrast table (2)
	3	ROTARY ENCODER Assy	See Contrast table (2)		23	Nut	NK90FUC
	4	Door Hinge 26 L	AMR7252		24	Door Cushion B	AEB7152
	5	Door Hinge 26 R	AMR7253		25	Front Panel	See Contrast table (2)
NSP	6	Magnet Angle	ANG7241		26	LED Lens	PNW2019
	7	Door Panel	See Contrast table (2)		27	Name Plate B	PAN1376
NSP	8	Spacer	VEC-244		28	Ring Spacer D5	See Contrast table (2)
NSP	9	Door Plate 26	AAH7024		29	FL Sheet 26	AAK7627
	10	Door Sheet	See Contrast table (2)		30	Volume Knob (MASTER VOLUME)	See Contrast table (2)
	11	Display Panel 26	AAK7625		31	Rotary Knob (INPUT SELECTOR)	See Contrast table (2)
	12	Function Lens 27	See Contrast table (2)		32	Screw	ABA7053
	13	Power Button (STANDBY/ON)	AAD7440		33	Screw	PBA1096
	14	MR Button 26 (MULTIROOM)	See Contrast table (2)		34	Screw	BPZ30P060FMC
	15	Lead Card 32P (J11)	ADD7159		35	Screw	BPZ30P080FMC
	16	Lead Card 05P (J14)	ADD7162		36	Screw	BBZ30P080FZK
	17	Lead Card 06P (J20)	ADD7167		37	Cord with Plug	ADH7020
	18	Lead Card 08P (J19)	See Contrast table (2)	NSP	38	Panel Base	See Contrast table (2)
	19	Lead Card 12P (J21)	ADD7166		39	Magnet	AMF7002
	20	Damper Assy (60)	AXA7078		40	Cord Clamper	RNH-184

(2) CONTRAST TABLE

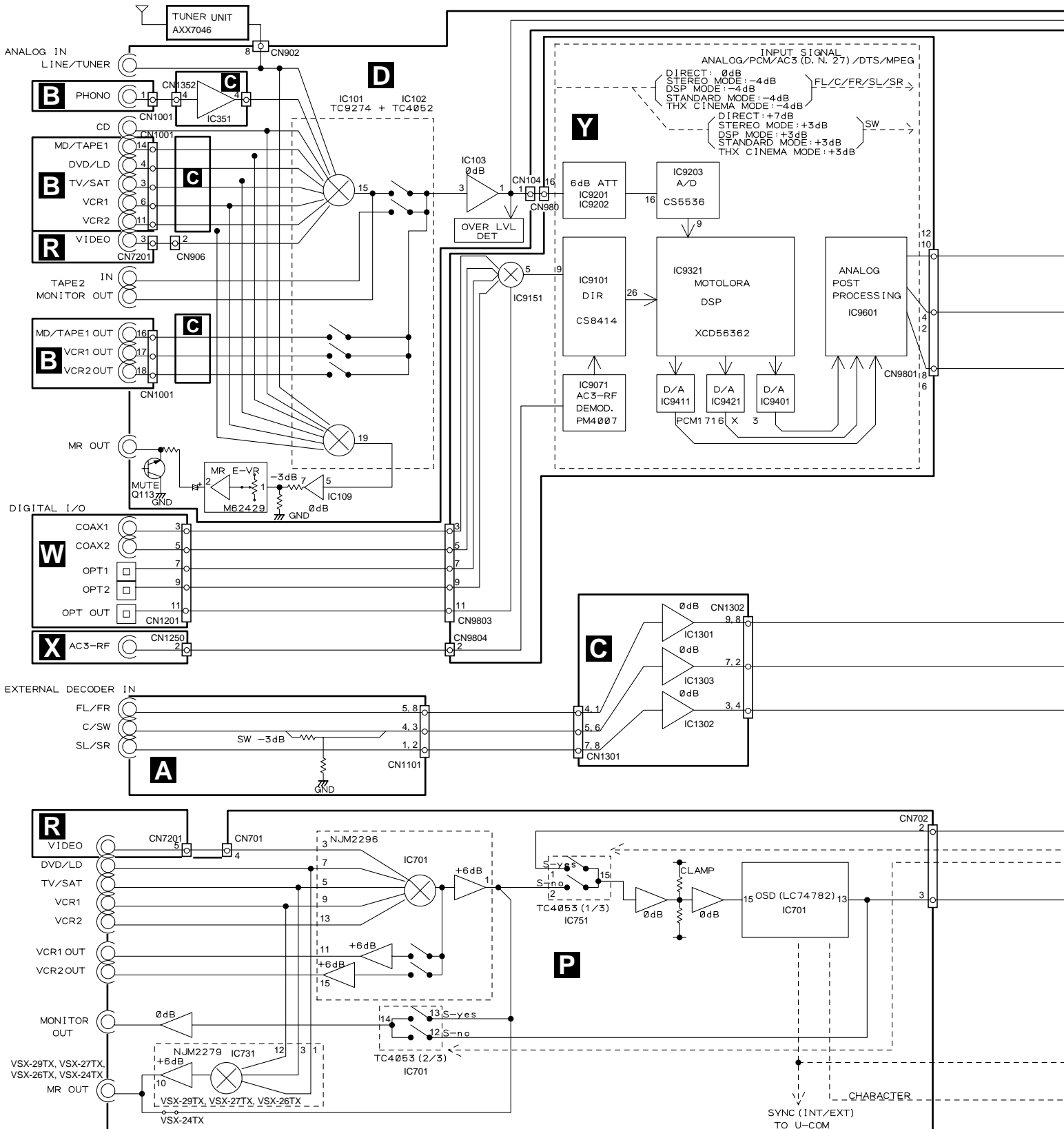
VSX-29TX, VSX-27TX, VSX-26TX, VSX-24TX and VSX-D908S are constructed the same except for the following :

Mark	No.	Symbol and Description	Part No.					Remarks
			VSX-29TX	VSX-27TX	VSX-26TX	VSX-24TX	VSX-D908S	
NSP	2	DISPLAY Assy	AWX7327	AWX7327	AWX7404	AWX7408	AWX7427	
	3	ROTARY ENCODER Assy	AWX7328	AWX7328	AWX7405	AWX7405	AWX7405	
	7	Door Panel 26	AMB7574	AMB7574	AMB7574	Not used	Not used	
	7	Door Panel 24	Not used	Not used	Not used	AMB7633	Not used	
	7	Door Panel 908	Not used	Not used	Not used	Not used	AMB7624	
	10	Door Sheet 26	AAK7626	AAK7626	AAK7626	Not used	Not used	
	10	Door Sheet 98SD	Not used	Not used	Not used	AAK7677	Not used	
	10	Door Sheet 98CC	Not used	Not used	Not used	Not used	AAK7674	
	12	Function Lens 27	AAK7628	AAK7628	Not used	Not used	Not used	
	14	MR Button	AAD7514	AAD7514	AAD7514	Not used	AAD7514	
	18	Lead Card 08P (J19)	ADD7168	ADD7168	Not used	Not used	Not used	
	21	Sub Panel 29	AMB7622	AMB7622	Not used	Not used	Not used	
	21	Sub Panel 26	Not used	Not used	AMB7575	AMB7575	Not used	
	21	Sub Panel 908	Not used	Not used	Not used	Not used	AMB7617	
22	Volume Ring D10	AAH7016	Not used	Not used	Not used	Not used		
22	Volume Ring 26	Not used	AAK7623	AAK7623	AAK7623	AAK7623		
25	Front Panel 29	AMB7566	Not used	Not used	Not used	Not used		
25	Front Panel 27	Not used	AMB7567	Not used	Not used	Not used		
25	Front Panel 26	Not used	Not used	AMB7568	Not used	Not used		
25	Front Panel 24	Not used	Not used	Not used	AMB7613	Not used		
25	Front Panel 98CC	Not used	Not used	Not used	Not used	AMB7623		
28	Ring Spacer D5	AWL7038	AWL7038	Not used	Not used	Not used		
30	Volume Knob 27	AAB7194	AAB7194	Not used	Not used	Not used		
30	Volume Knob 26	Not used	Not used	AAB7193	AAB7193	AAB7193		
31	Rotary Knob 27	AAB7197	AAB7197	Not used	Not used	Not used		
31	Rotary Knob 26	Not used	Not used	AAB7196	AAB7196	AAB7196		
38	Panel Base 27	AMB7570	AMB7570	Not used	Not used	Not used		
38	Panel Base 26	Not used	Not used	AMB7569	AMB7569	AMB7569		

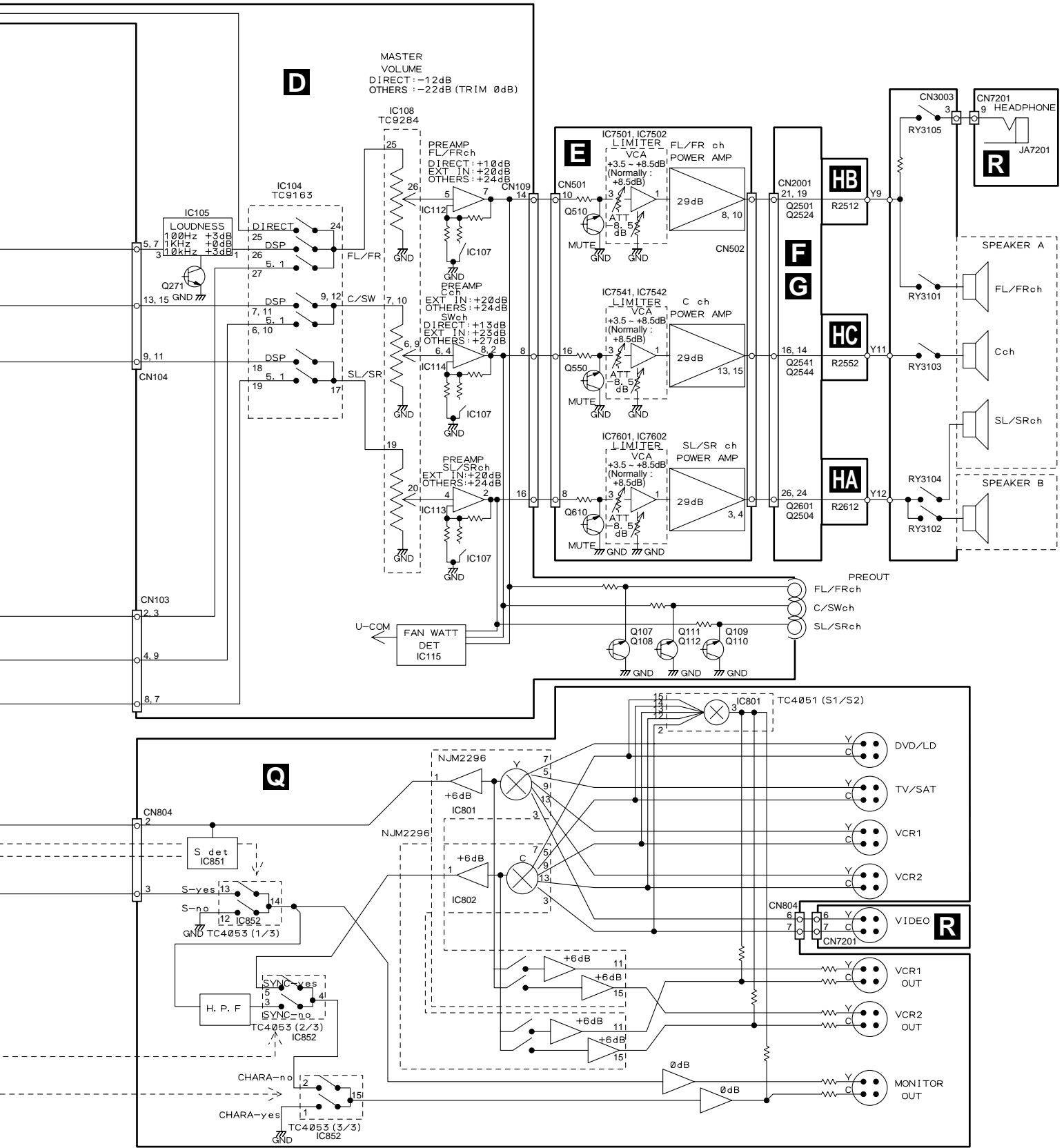
VSX-29TX, VSX-27TX, VSX-26TX, VSX-24TX, VSX-D908S

3. BLOCK DIAGRAM AND SCHEMATIC DIAGRAM

3.1 BLOCK DIAGRAM

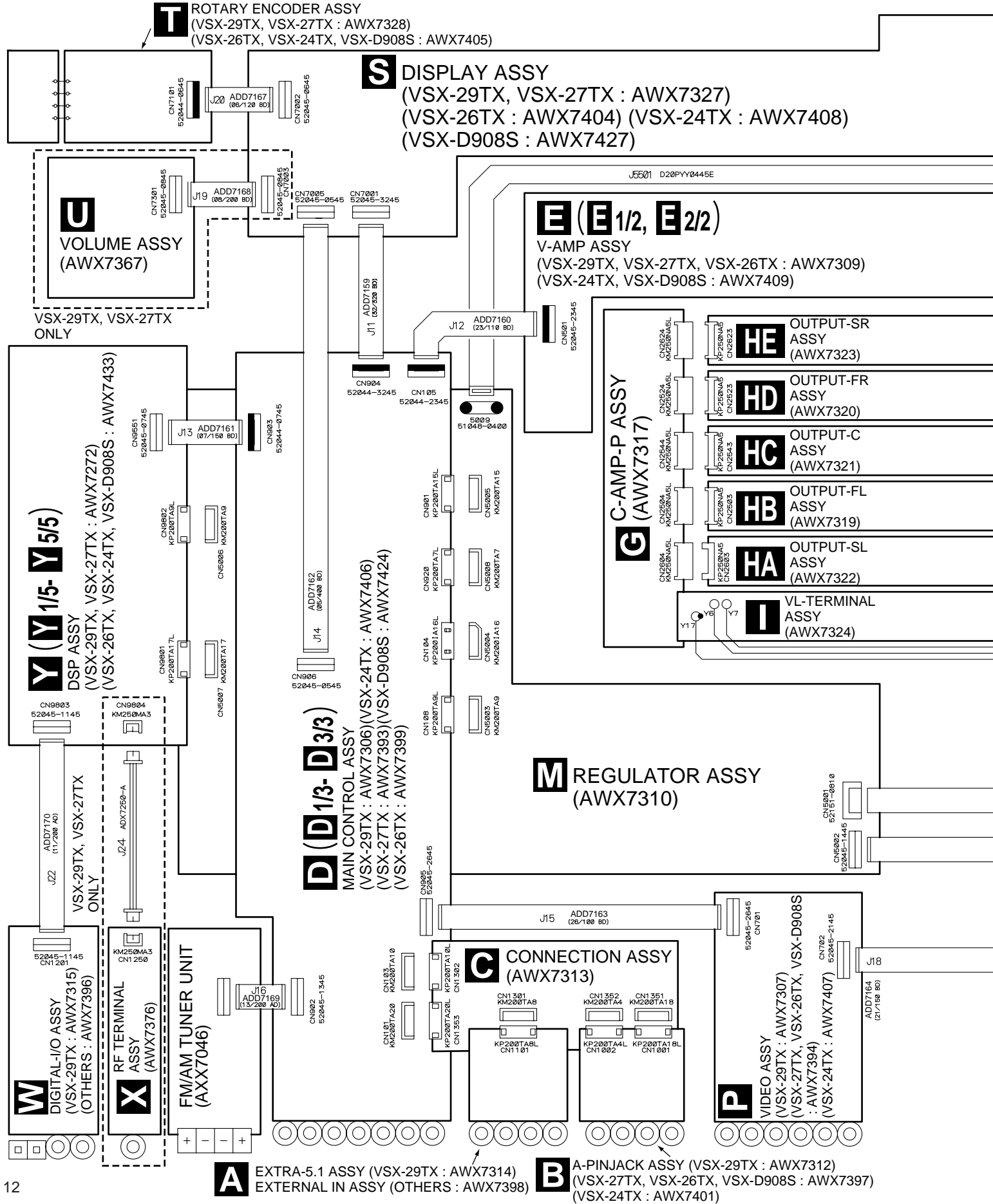


**VSX-29TX, VSX-27TX, VSX-26TX,
VSX-24TX, VSX-D908S**



VSX-29TX, VSX-27TX, VSX-26TX, VSX-24TX, VSX-D908S

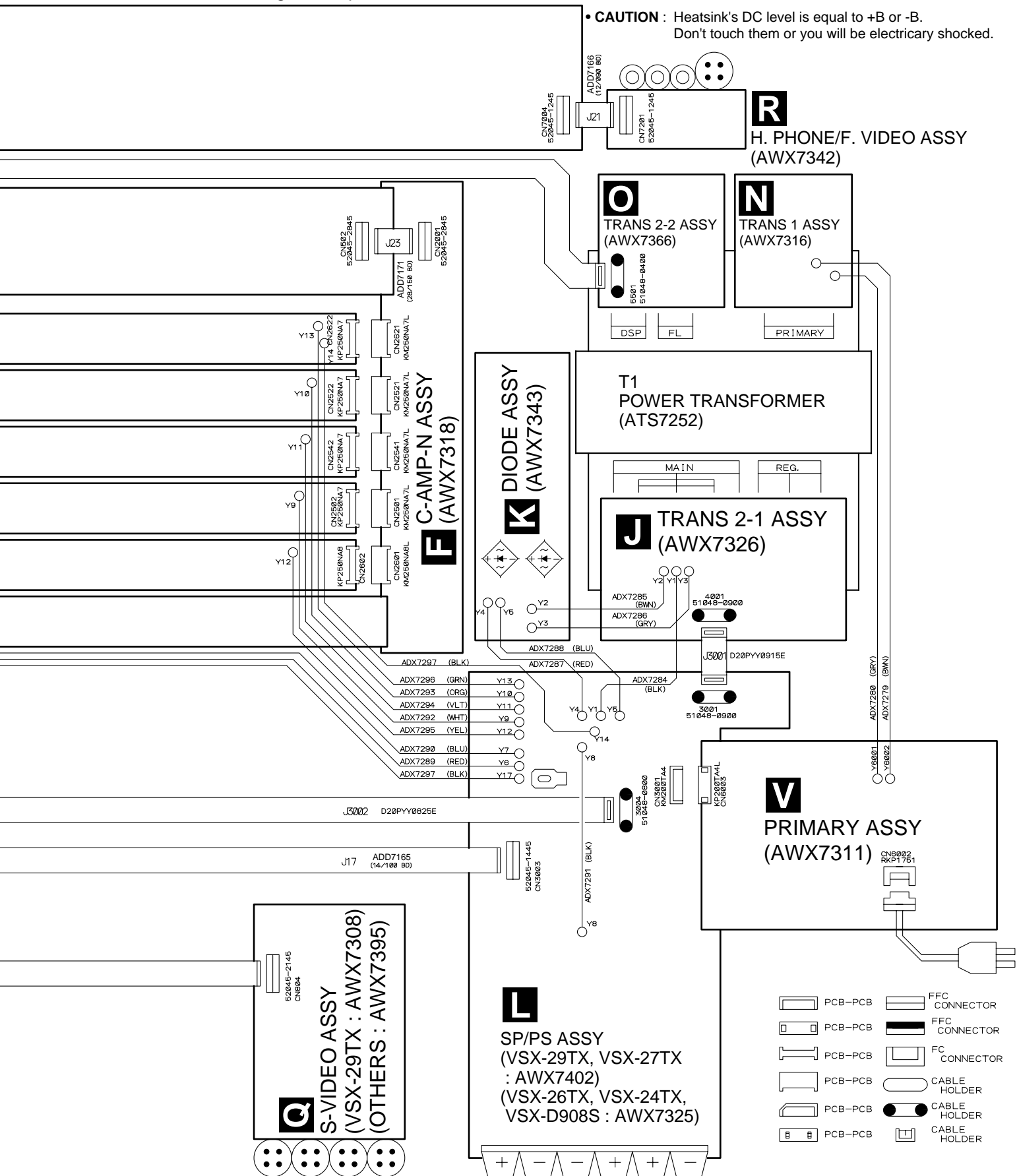
3.2 OVERALL WIRING CONNECTION DIAGRAM



VSX-29TX, VSX-27TX, VSX-26TX, VSX-24TX, VSX-D908S

Note : When ordering service parts, be sure to refer to "EXPLODED VIEWS and PARTS LIST" or "PCB PARTS LIST".

• CAUTION : Heatsink's DC level is equal to +B or -B.
Don't touch them or you will be electrically shocked.



- PCB-PCB
- FFC CONNECTOR
- FFC CONNECTOR
- FC CONNECTOR
- CABLE HOLDER
- CABLE HOLDER
- CABLE HOLDER

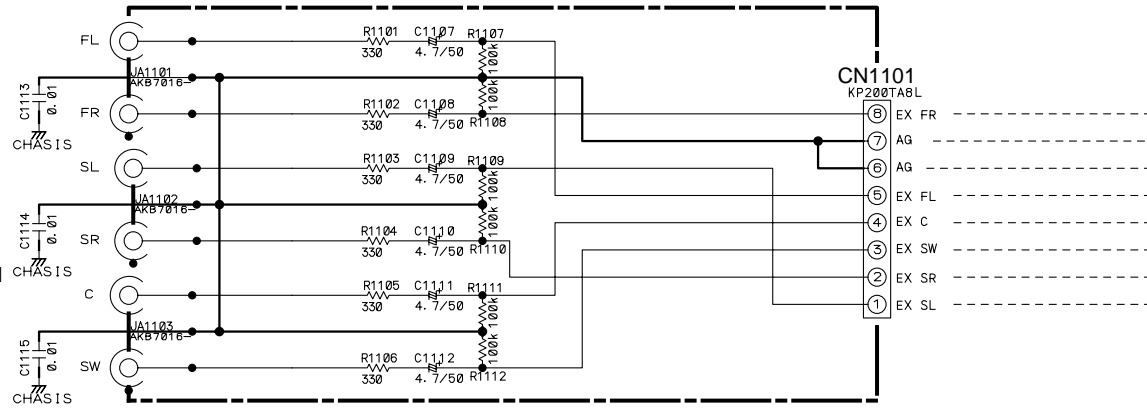
1 2 3 4

VSX-29TX, VSX-27TX, VSX-26TX, VSX-24TX, VSX-D908S

3.3 EXTRA-5.1 (EXTERNAL IN), A-PINJACK and CONNECTION ASSYS

A
EXTRA-5.1 ASSY
(VSX-29TX : AWX7314)
EXTERNAL IN ASSY
(OTHERS : AWX7398)

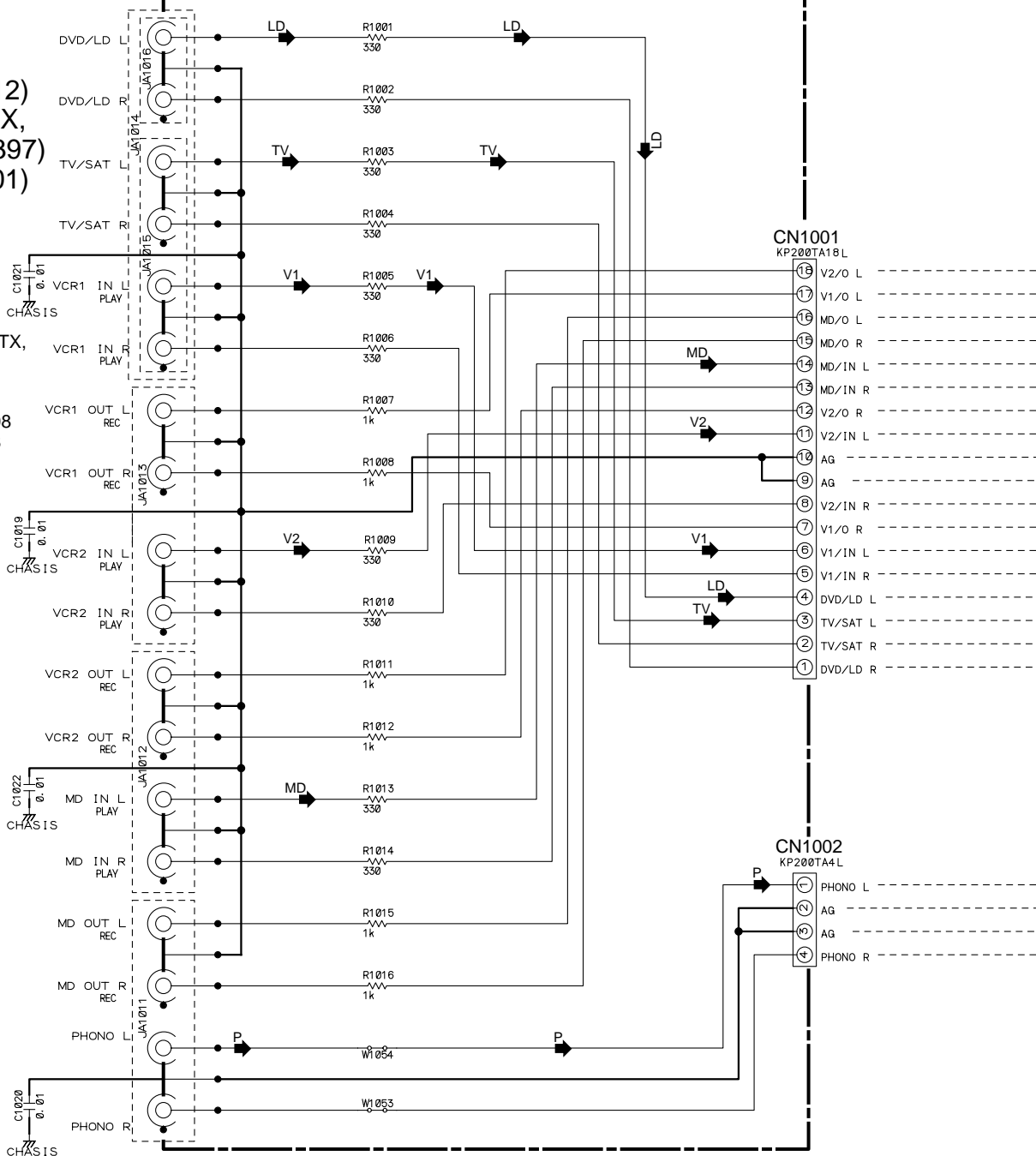
JA1101-JA1103 ;
VSX-29TX : AKB7121
OTHERS : AKB7095



B
A-PINJACK ASSY
(VSX-29TX : AWX7312)
(VSX-27TX, VSX-26TX,
VSX-D908S : AWX7397)
(VSX-24TX : AWX7401)

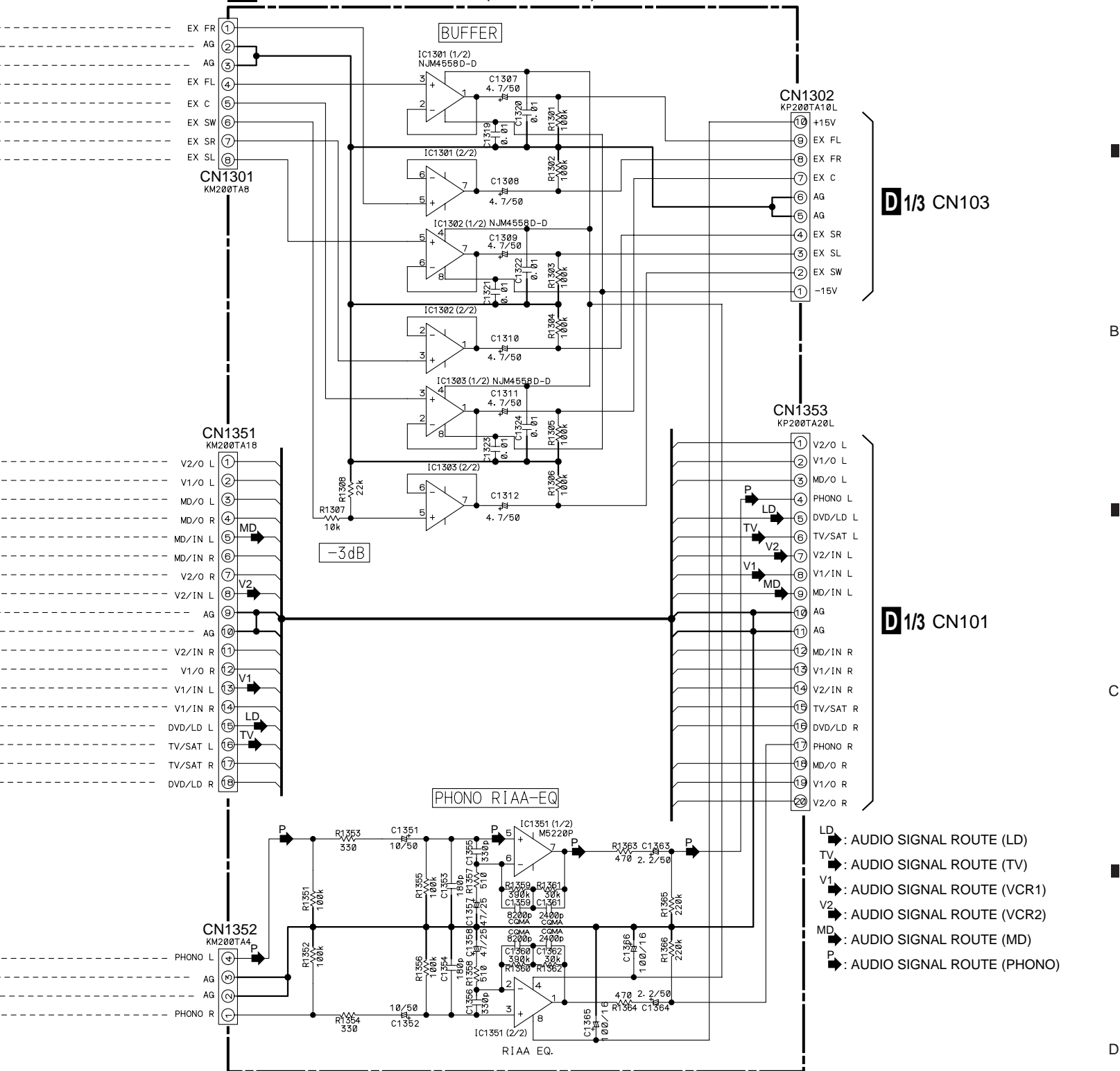
CN1014: AKB7108
(VSX-29TX ONLY)
JA1014: AKB7050
(VSX-24TX ONLY)
JA1015: AKB7048
JA1016: AKB7120
(VSX-27TX, VSX-26TX,
VSX-D908S ONLY)

JA1011-JA1013 ;
VSX-29TX : AKB7108
OTHERS : AKB7048




VSX-29TX, VSX-27TX, VSX-26TX, VSX-24TX, VSX-D908S

C CONNECTION ASSY (AWX7313)



VSX-29TX, VSX-27TX, VSX-26TX, VSX-24TX, VSX-D908S

3.4 MAIN CONTROL ASSY (1/3)

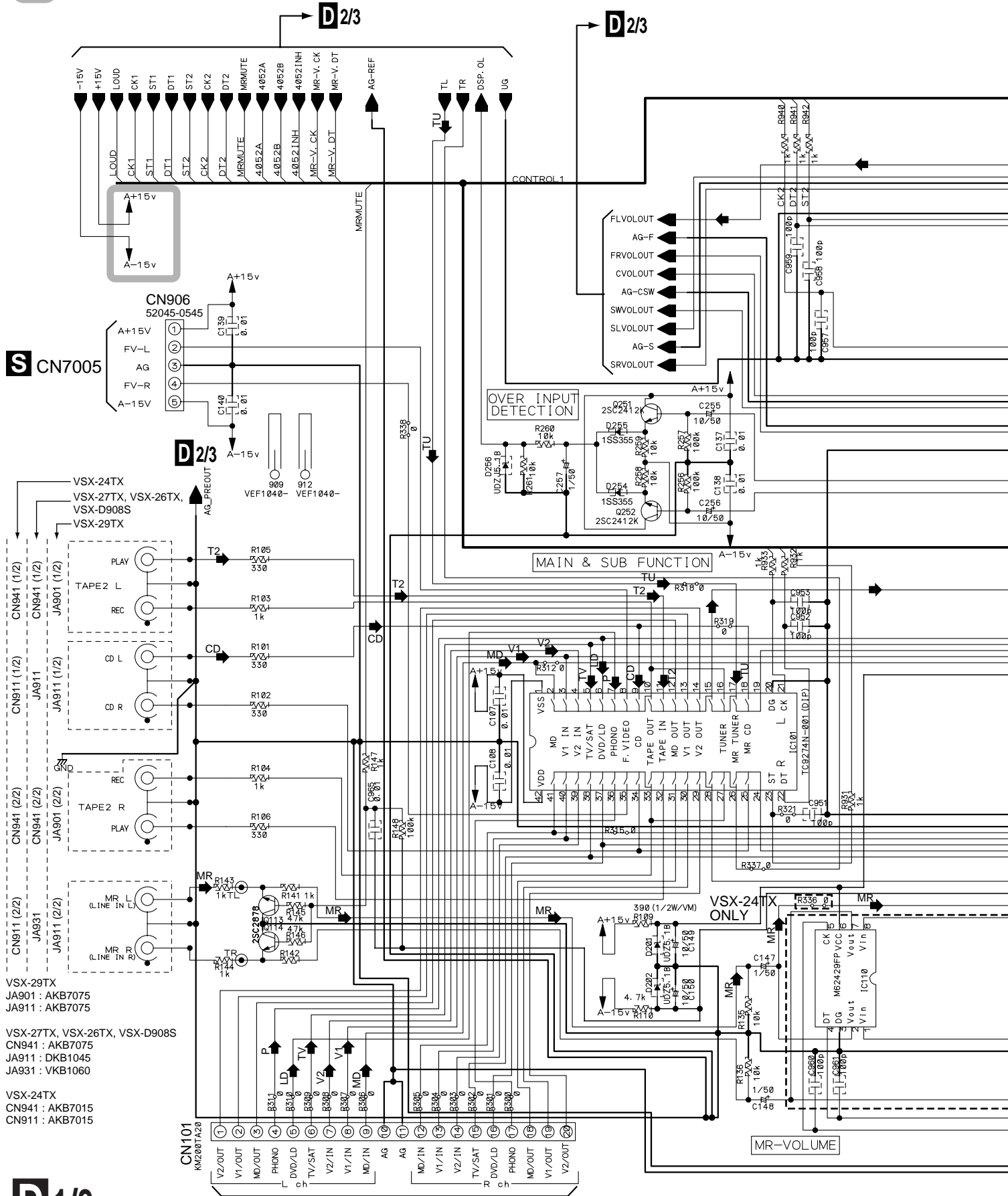
 : The power supply is shown with the marked box.

A

B

C

D



VSX-29TX, VSX-27TX, VSX-26TX, VSX-24TX, VSX-D908S

D1/3

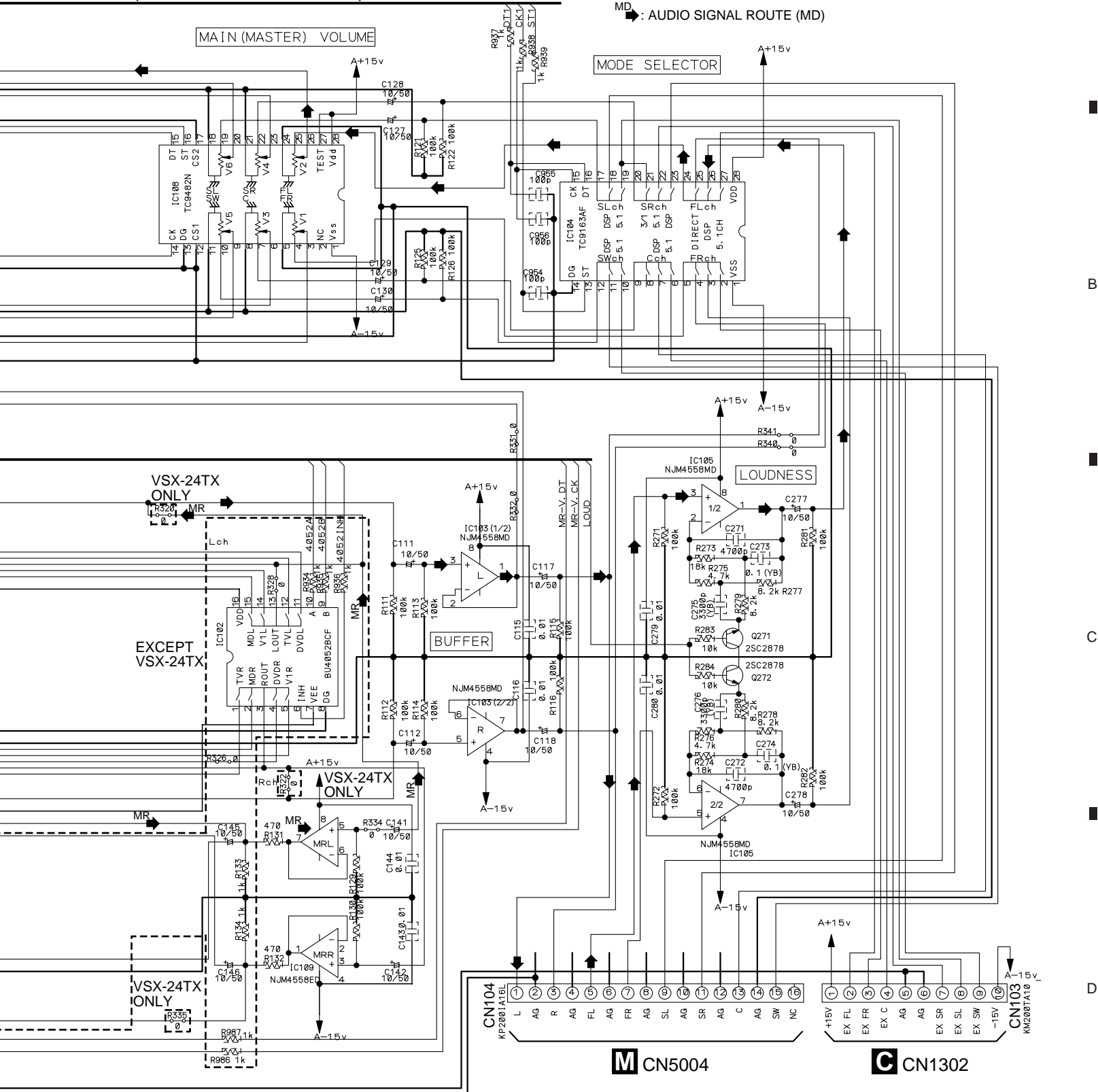
MAIN CONTROL ASSY

(VSX-29TX : AWX7306)(VSX-24TX : AWX7406)

(VSX-27TX : AWX7393)(VSX-D908S : AWX7424)

(VSX-26TX : AWX7399)

- ▶ : AUDIO SIGNAL ROUTE
- LD ▶ : AUDIO SIGNAL ROUTE (LD)
- TV ▶ : AUDIO SIGNAL ROUTE (TV)
- V1 ▶ : AUDIO SIGNAL ROUTE (VCR1)
- V2 ▶ : AUDIO SIGNAL ROUTE (VCR2)
- MD ▶ : AUDIO SIGNAL ROUTE (MD)
- P ▶ : AUDIO SIGNAL ROUTE (PHONO)
- TU ▶ : AUDIO SIGNAL ROUTE (TUNER)
- CD ▶ : AUDIO SIGNAL ROUTE (CD)
- T2 ▶ : AUDIO SIGNAL ROUTE (TAPE2)
- MR ▶ : AUDIO SIGNAL ROUTE (MR)



M CN5004

C CN1302

D1/3

1 2 3 4
**VSX-29TX, VSX-27TX, VSX-26TX,
 VSX-24TX, VSX-D908S**

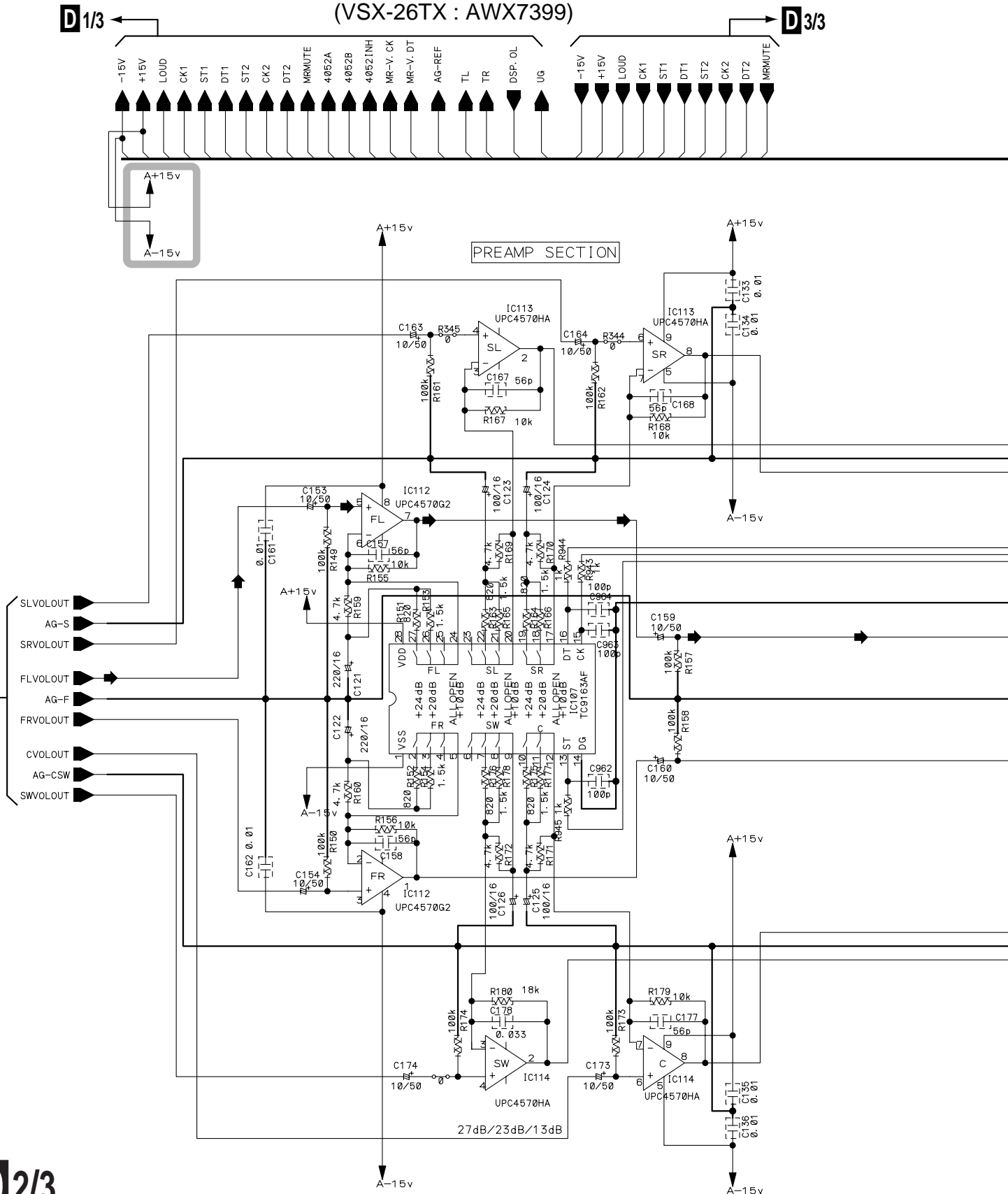
3.5 MAIN CONTROL ASSY (2/3)

D 2/3 MAIN CONTROL ASSY


(VSX-29TX : AWX7306)(VSX-24TX : AWX7406)
 (VSX-27TX : AWX7393)(VSX-D908S : AWX7424)
 (VSX-26TX : AWX7399)

D 1/3

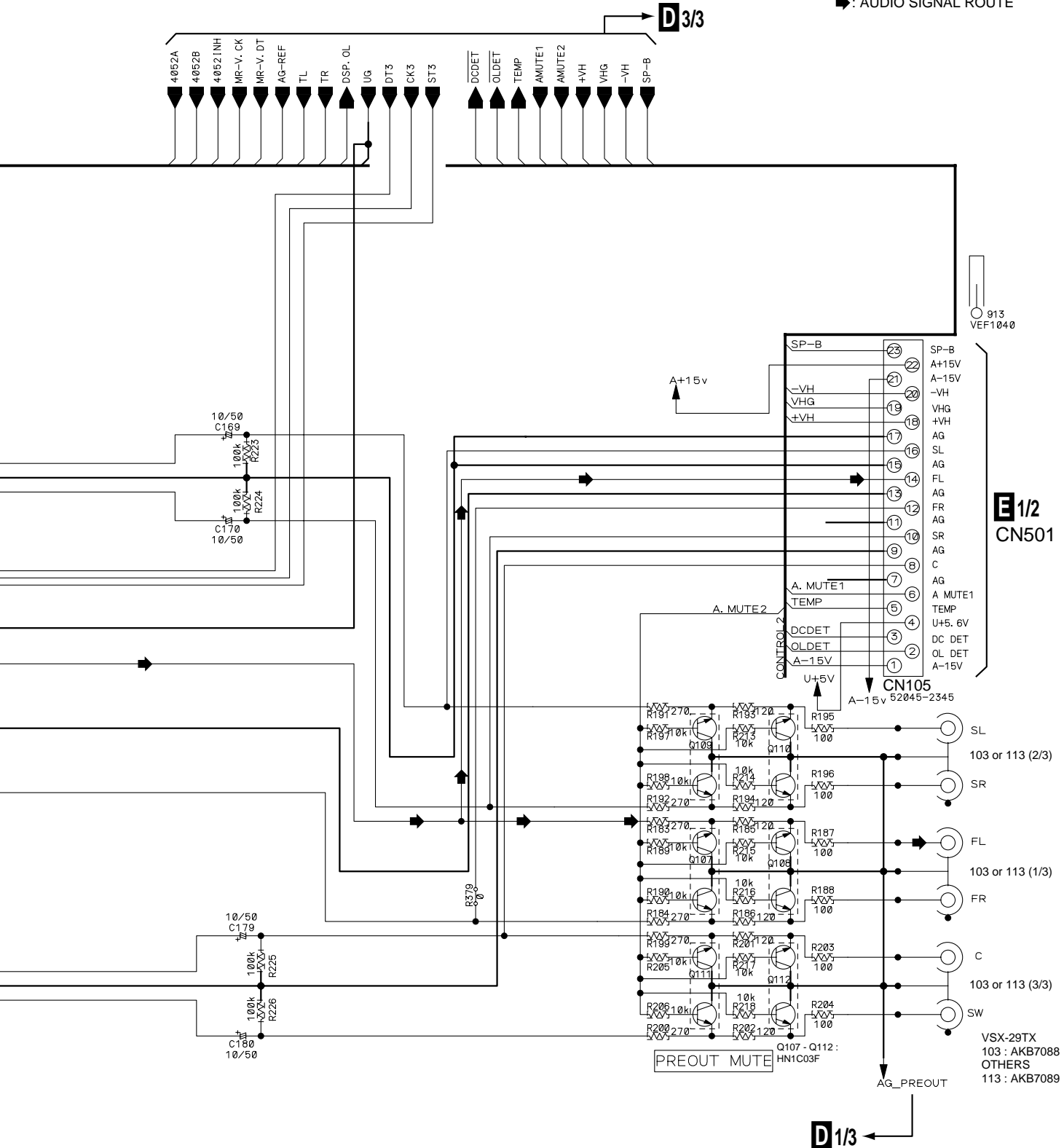
D 3/3



VSX-29TX, VSX-27TX, VSX-26TX,
VSX-24TX, VSX-D908S

 : The power supply is shown with the marked box.

 : AUDIO SIGNAL ROUTE



E1/2
CN501

VSX-29TX
103 : AKB7088
OTHERS
113 : AKB7089

D2/3

1 2 3 4

VSX-29TX, VSX-27TX, VSX-26TX, VSX-24TX, VSX-D908S

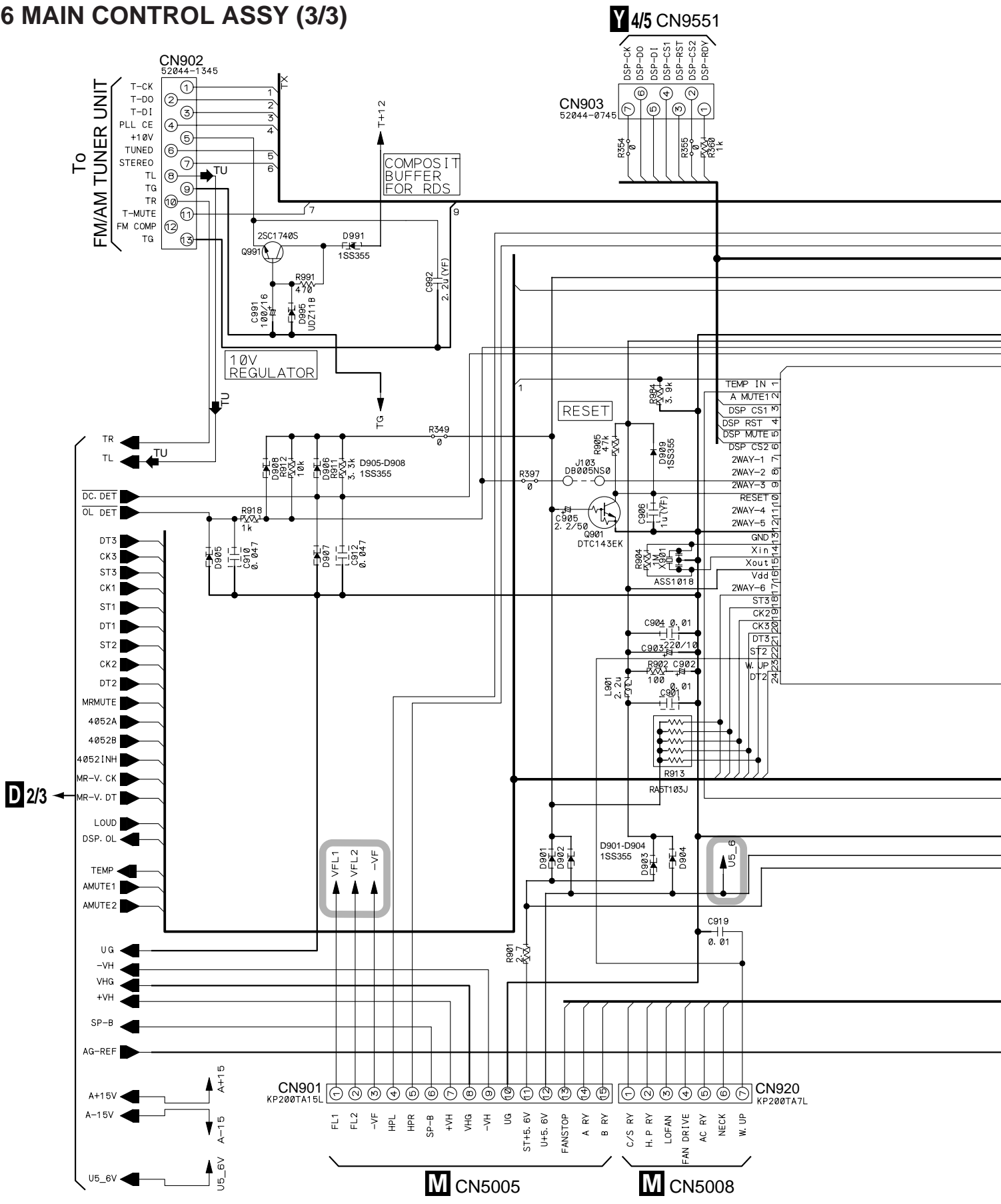
3.6 MAIN CONTROL ASSY (3/3)

A

B

C

D



VSX-29TX, VSX-27TX, VSX-26TX, VSX-24TX, VSX-D908S

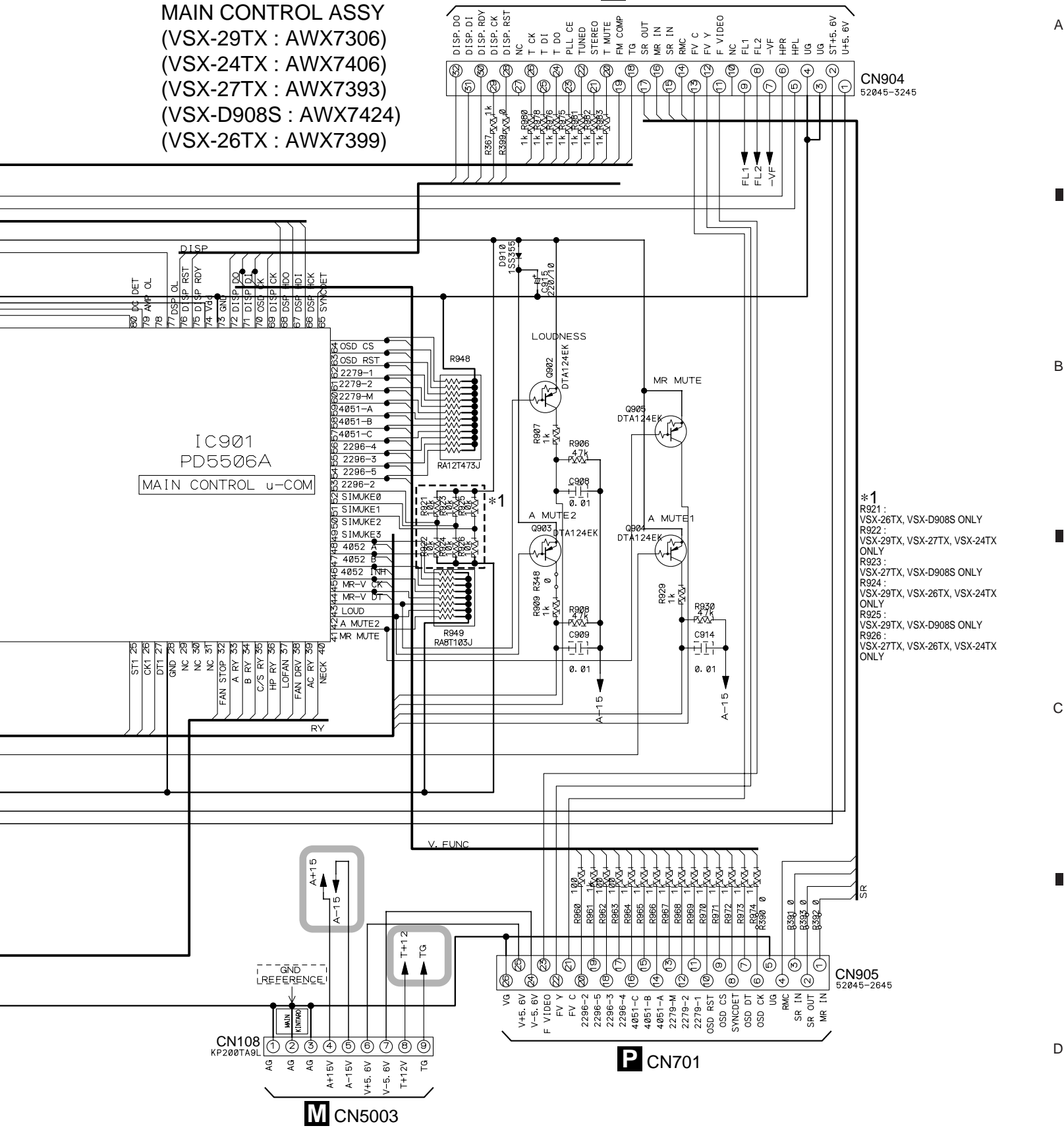
O : The power supply is shown with the marked box.

TU : AUDIO SIGNAL ROUTE (TUNER)

D3/3

MAIN CONTROL ASSY
(VSX-29TX : AWX7306)
(VSX-24TX : AWX7406)
(VSX-27TX : AWX7393)
(VSX-D908S : AWX7424)
(VSX-26TX : AWX7399)

S CN7001

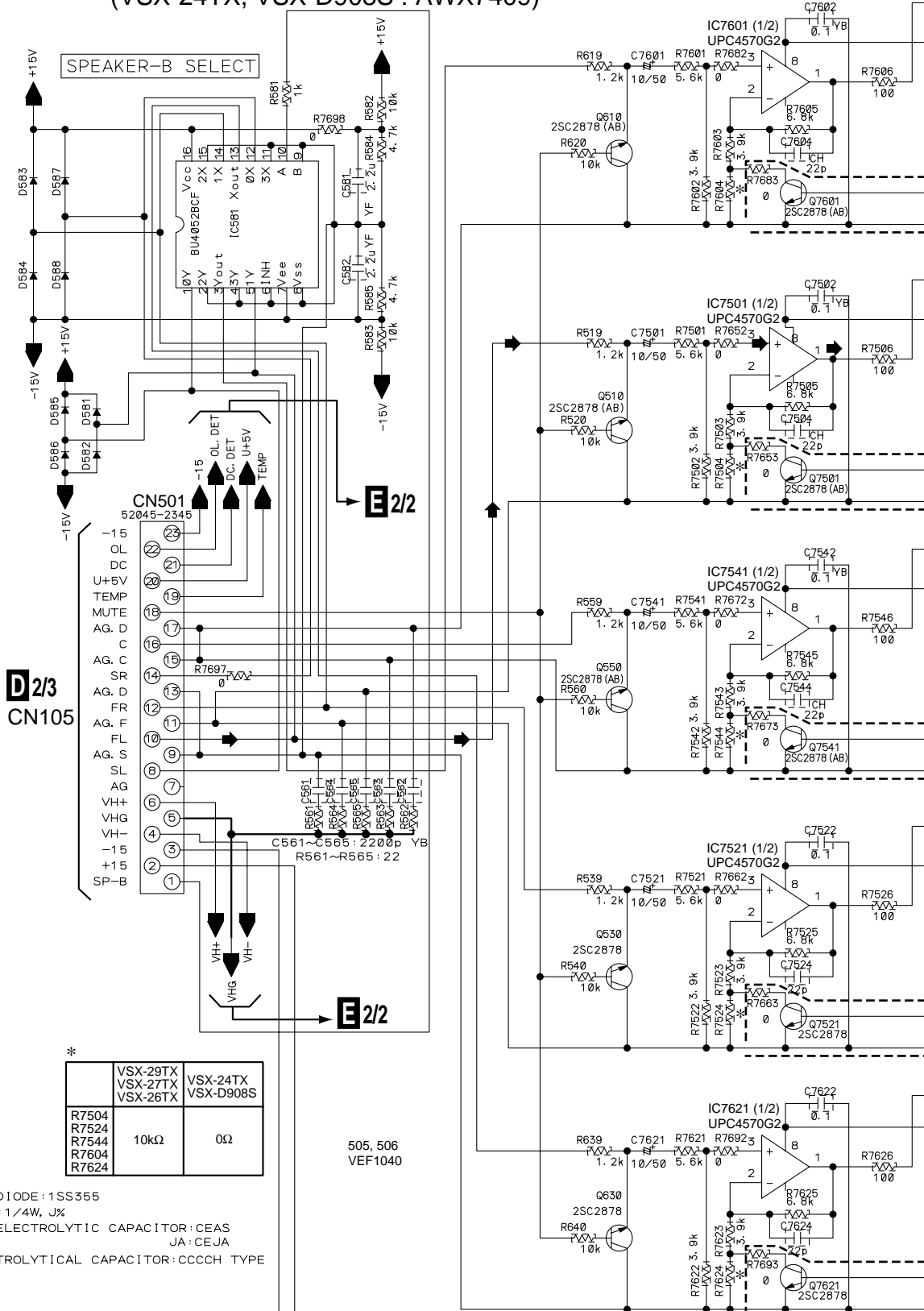


- *1
- R921 : VSX-26TX, VSX-D908S ONLY
- R922 : VSX-29TX, VSX-27TX, VSX-24TX ONLY
- R923 : VSX-27TX, VSX-D908S ONLY
- R924 : VSX-29TX, VSX-26TX, VSX-24TX ONLY
- R925 : VSX-29TX, VSX-D908S ONLY
- R926 : VSX-27TX, VSX-26TX, VSX-24TX ONLY

VSX-29TX, VSX-27TX, VSX-26TX, VSX-24TX, VSX-D908S

3.7 V-AMP ASSY (1/2)

E 1/2 V-AMP ASSY
(VSX-29TX, VSX-27TX, VSX-26TX : AWX7309)
(VSX-24TX, VSX-D908S : AWX7409)



D 2/3
CN105

	VSX-29TX VSX-27TX VSX-26TX	VSX-24TX VSX-D908S
R7504		
R7524	10kΩ	0Ω
R7544		
R7604		
R7624		

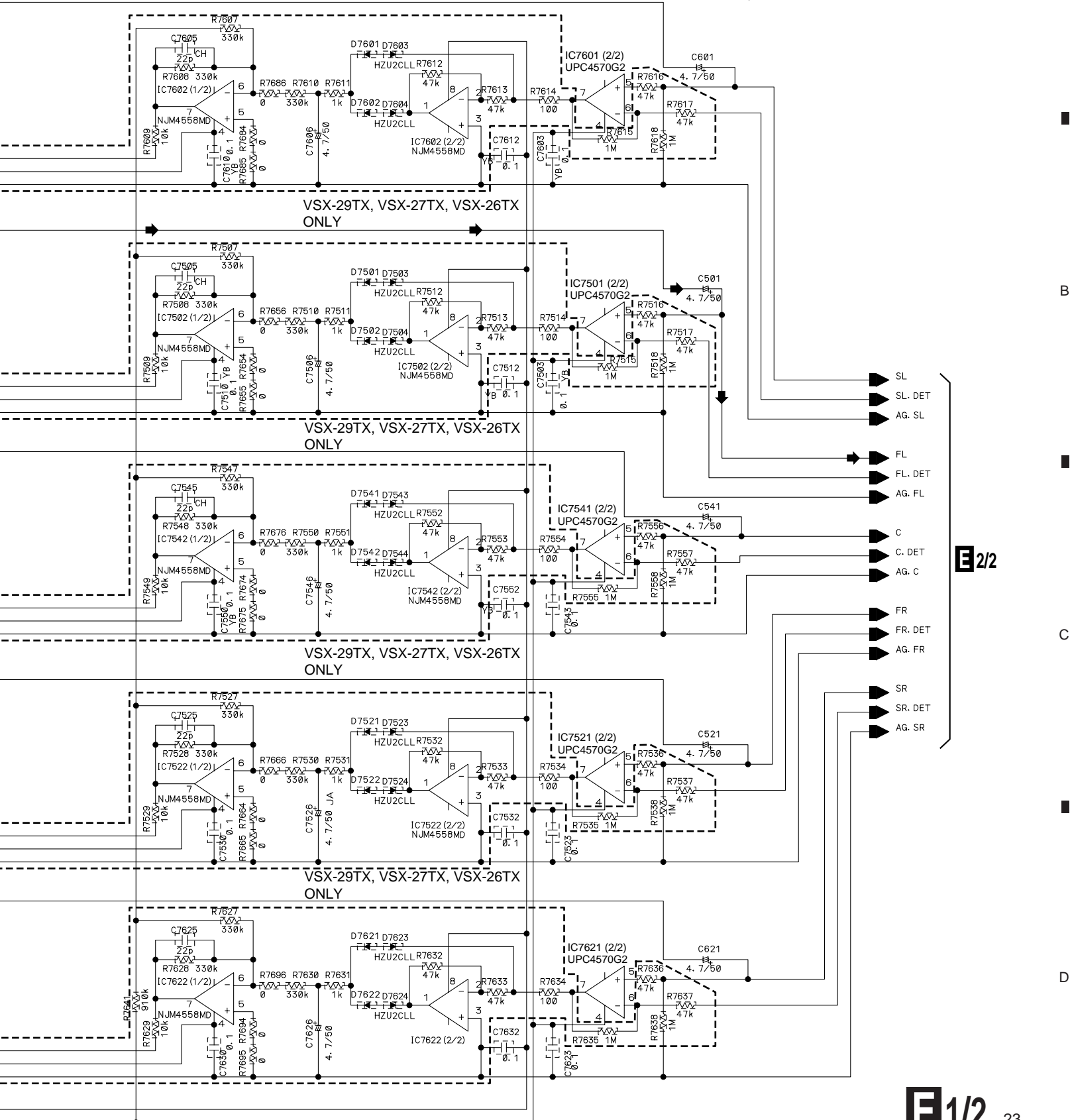
505, 506
VEF1040

- NO MARK DIODE:1SS355
- RESISTOR:1/4W, J%
- NO MARK ELECTROLYTIC CAPACITOR:CEAS
JA:CEJA
- NON ELECTROLYTICAL CAPACITOR:CCCCH TYPE

MAIN CHANNEL LIMITER

VSX-29TX, VSX-27TX, VSX-26TX ONLY

➔ : AUDIO SIGNAL ROUTE



VSX-29TX, VSX-27TX, VSX-26TX, VSX-24TX, VSX-D908S

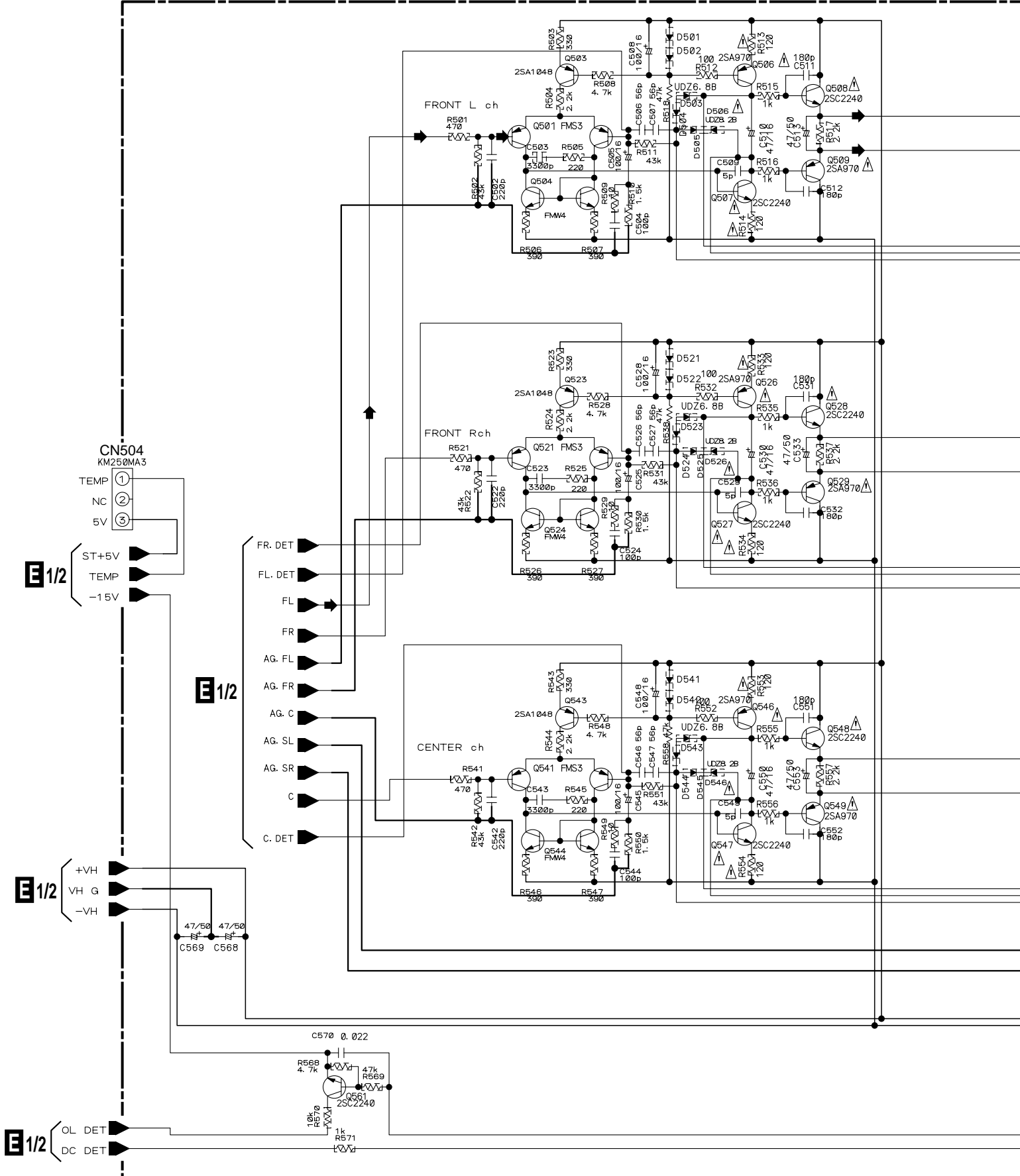
3.8 V-AMP ASSY (2/2)

A

B

C

D



24 **E 2/2**

VSX-29TX, VSX-27TX, VSX-26TX, VSX-24TX, VSX-D908S

E 2/2 V-AMP ASSY (VSX-29TX, VSX-27TX, VSX-26TX : AWX7309) (VSX-24TX, VSX-D908S : AWX7409)

POWER AMP VOLTAGE AMPLIFYING STAGE

➔ : AUDIO SIGNAL ROUTE

- NO MARK DIODE:1S3355
- RESISTOR:1/4W, J%
- NO MARK ELECTROLYTIC CAPACITOR:CEAS
JA:CEJA
- NON ELECTROLYTICAL CAPACITOR:CCCCH TYPE

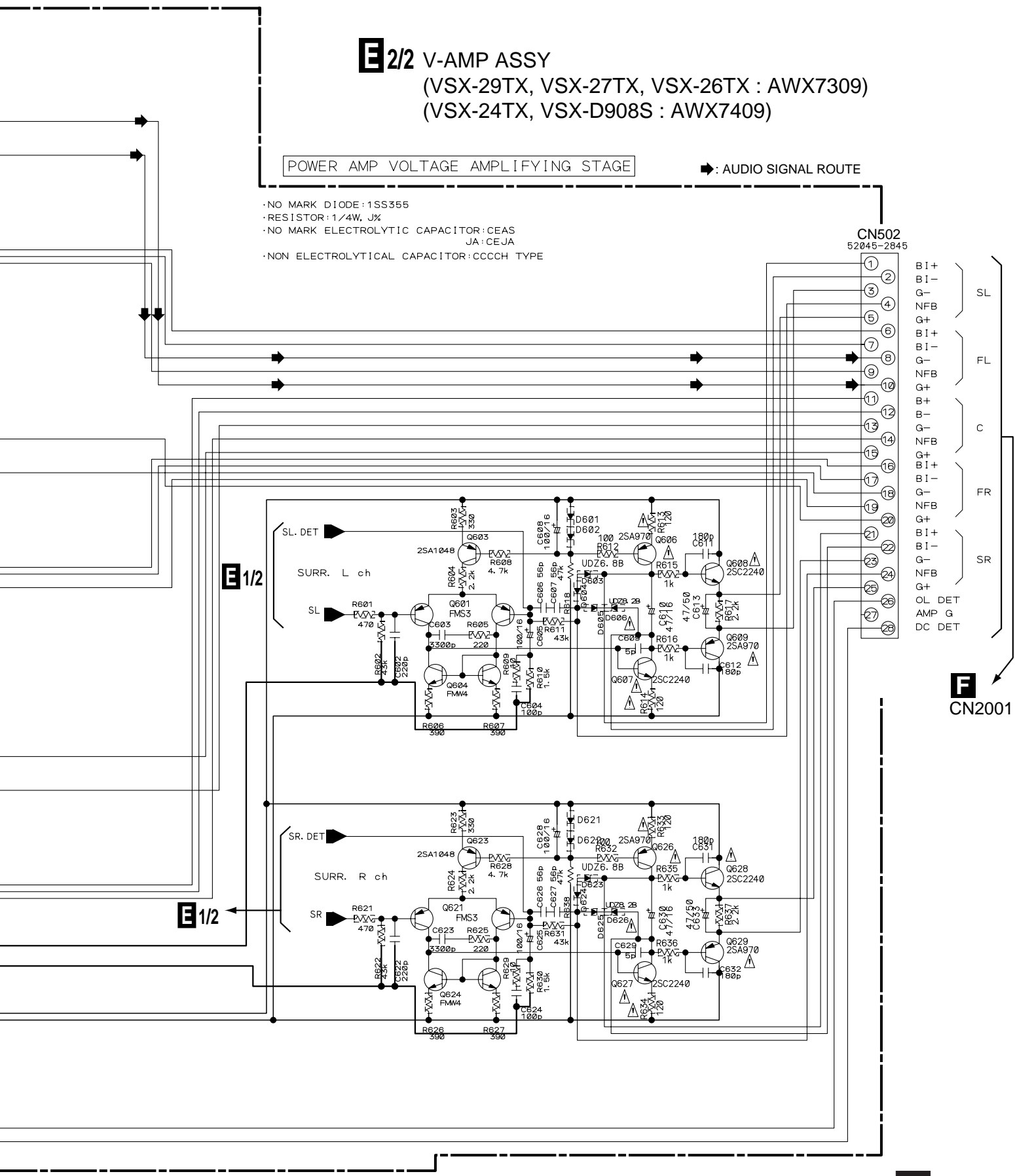
CN502
52045-2845

- | | | | |
|----|-----|---|--------|
| 1 | B1+ | } | SL |
| 2 | B1- | | |
| 3 | G- | | |
| 4 | NFB | } | FL |
| 5 | G+ | | |
| 6 | B1+ | | |
| 7 | B1- | } | C |
| 8 | G- | | |
| 9 | NFB | | |
| 10 | G+ | } | FR |
| 11 | B+ | | |
| 12 | B- | | |
| 13 | G- | } | SR |
| 14 | NFB | | |
| 15 | G+ | | |
| 16 | B1+ | } | OL DET |
| 17 | B1- | | |
| 18 | G- | | |
| 19 | NFB | } | AMP G |
| 20 | G+ | | |
| 21 | B1+ | | |
| 22 | B1- | } | DC DET |
| 23 | G- | | |
| 24 | NFB | | |
| 25 | G+ | } | |
| 26 | B+ | | |
| 27 | B- | | |
| 28 | G- | } | |
| 29 | NFB | | |
| 30 | G+ | | |

E 1/2

E 1/2

F
CN2001



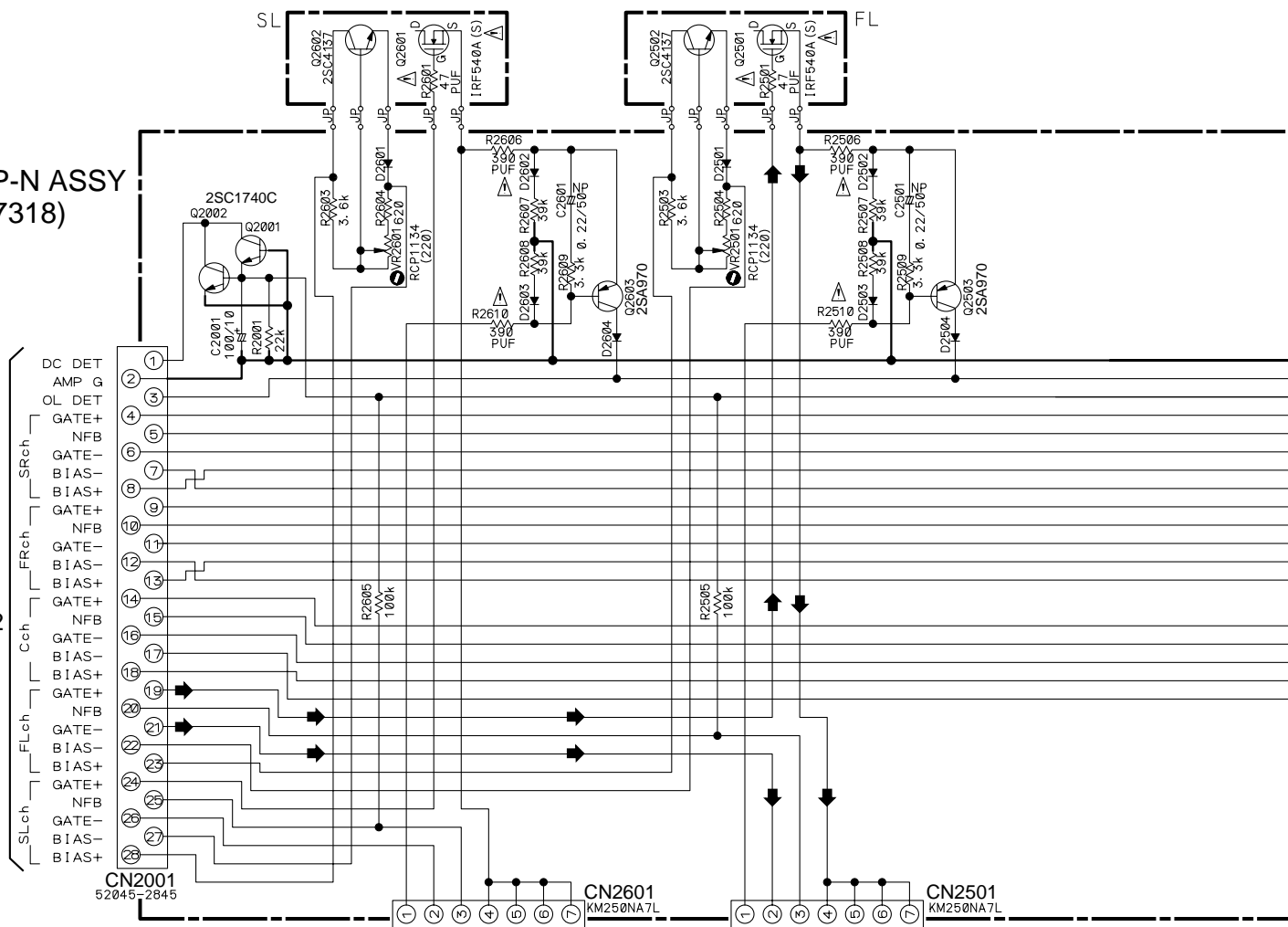
1 2 3 4

VSX-29TX, VSX-27TX, VSX-26TX, VSX-24TX, VSX-D908S

3.9 C-AMP-N, C-AMP-P, OUTPUT-SL, OUTPUT-FL, OUTPUT-C, OUTPUT-FR, OUTPUT-SR and VL-TERMINAL ASSYS

A

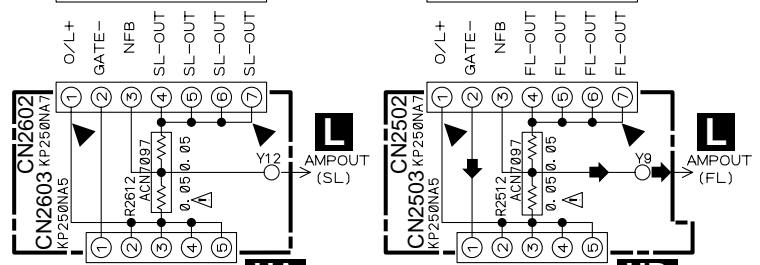
F
C-AMP-N ASSY
(AWX7318)



B

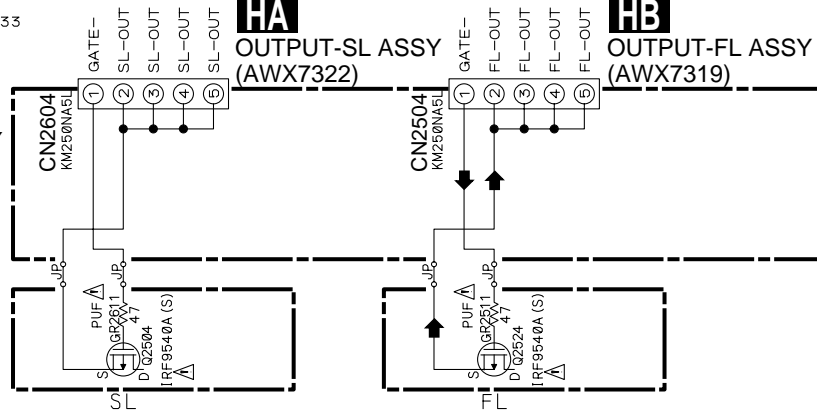
E 2/2
CN502

C

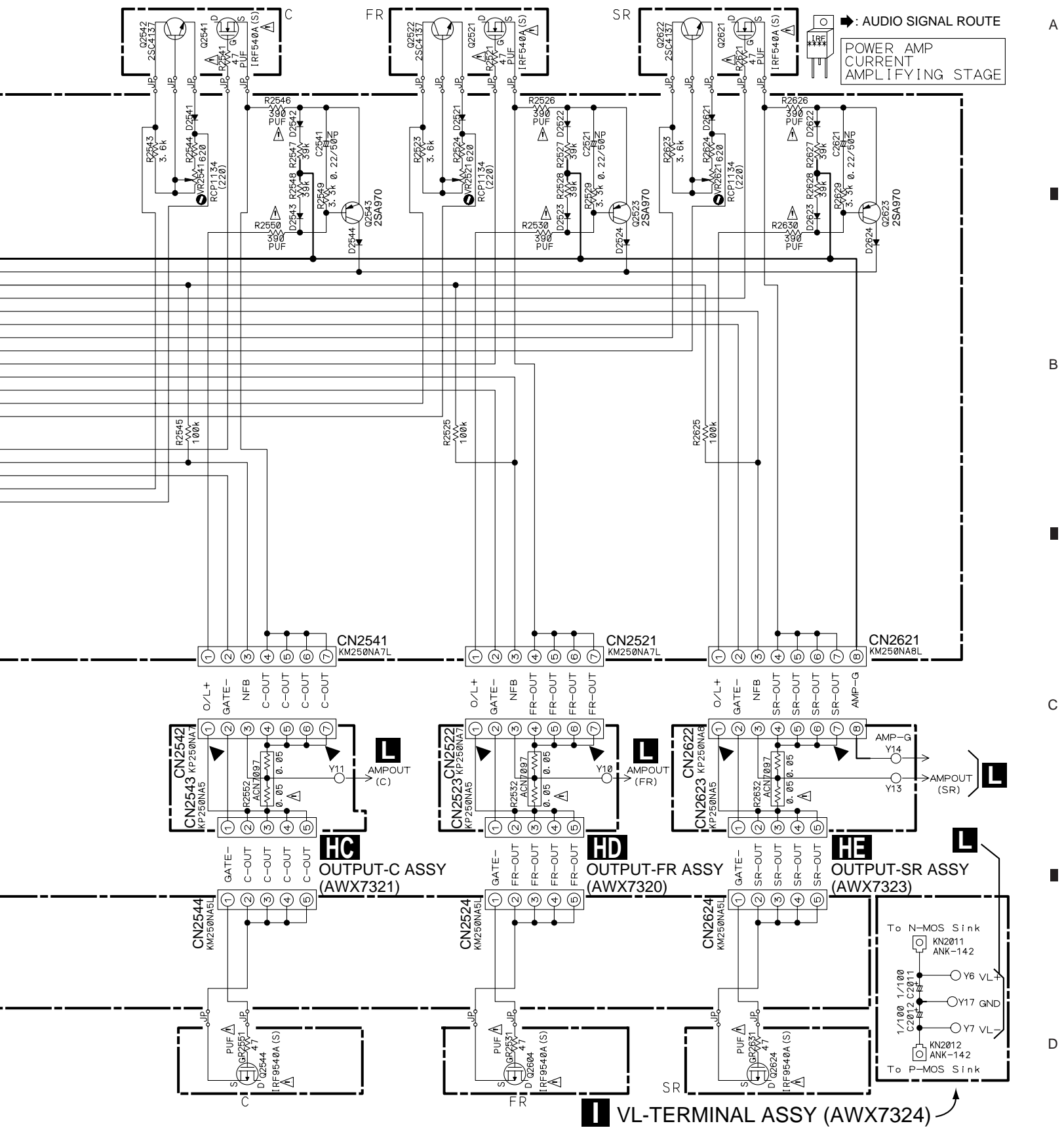


PUF: RD1/4PUF***J-T
NON FRAMABLE TYPE
DIODES WITHOUT INDICATION: 1SS133

G
C-AMP-P ASSY
(AWX7317)

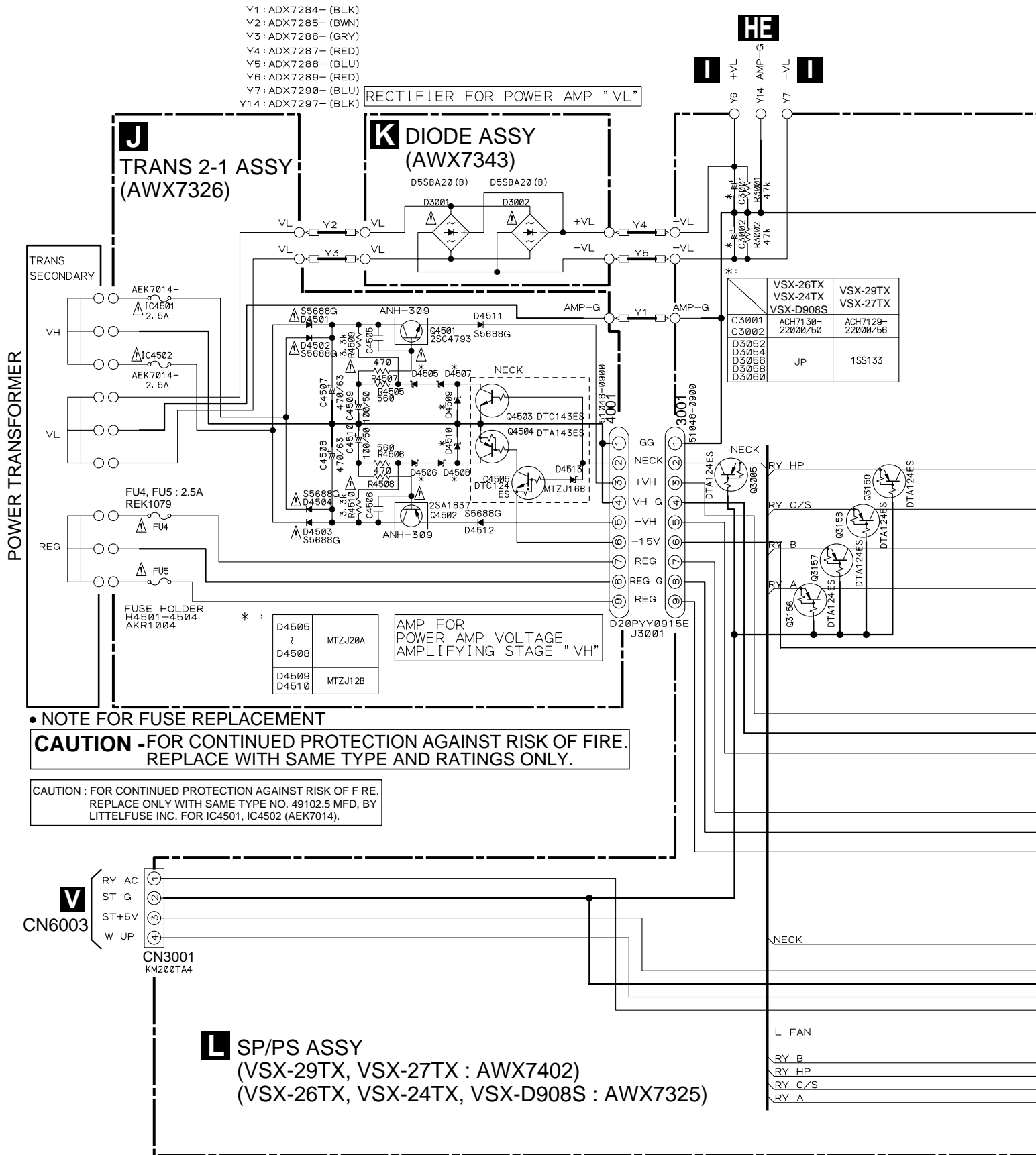


D



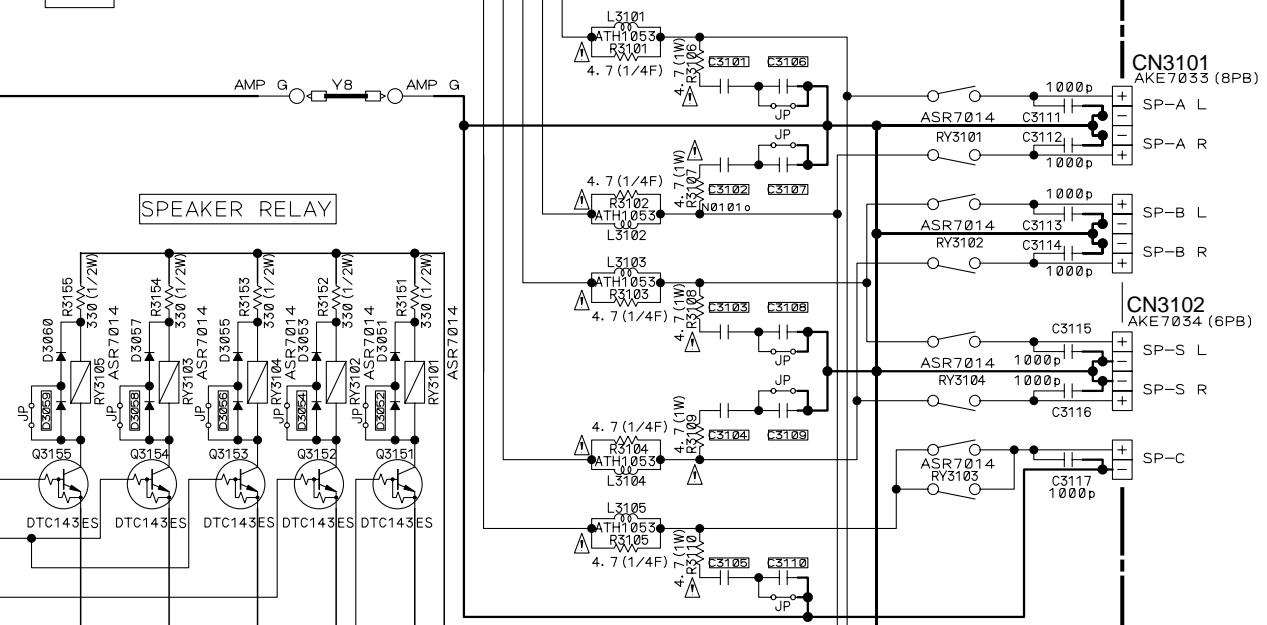
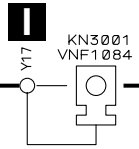
VSX-29TX, VSX-27TX, VSX-26TX, VSX-24TX, VSX-D908S

3.10 TRANS 2-1, DIODE and SP/PS ASSYS



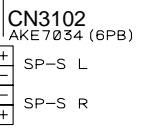
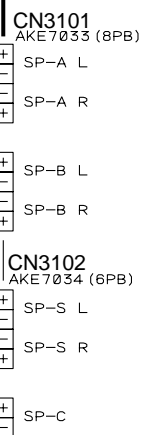
HA - HE

- Y8 : ADX7291- (BLK)
- Y9 : ADX7292- (WHT)
- Y10 : ADX7293- (ORG)
- Y11 : ADX7294- (VLT)
- Y12 : ADX7295- (YEL)
- Y13 : ADX7296- (GRN)
- Y17 : ADX7298- (BLK)

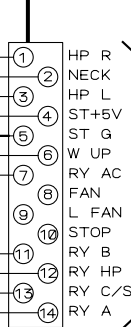
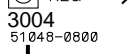
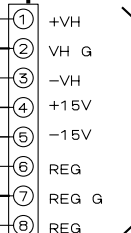


SPEAKER RELAY

	VSX-26TX VSX-24TX VSX-D908S	VSX-29TX VSX-27TX
C3101 C3105	CFTYA104J50	CFTYA224J50
C3106 C3110	JP	CFTYA224J50



330 (2W)	R3131	ASR7014	R3132
330 (2W)			



M CN5001

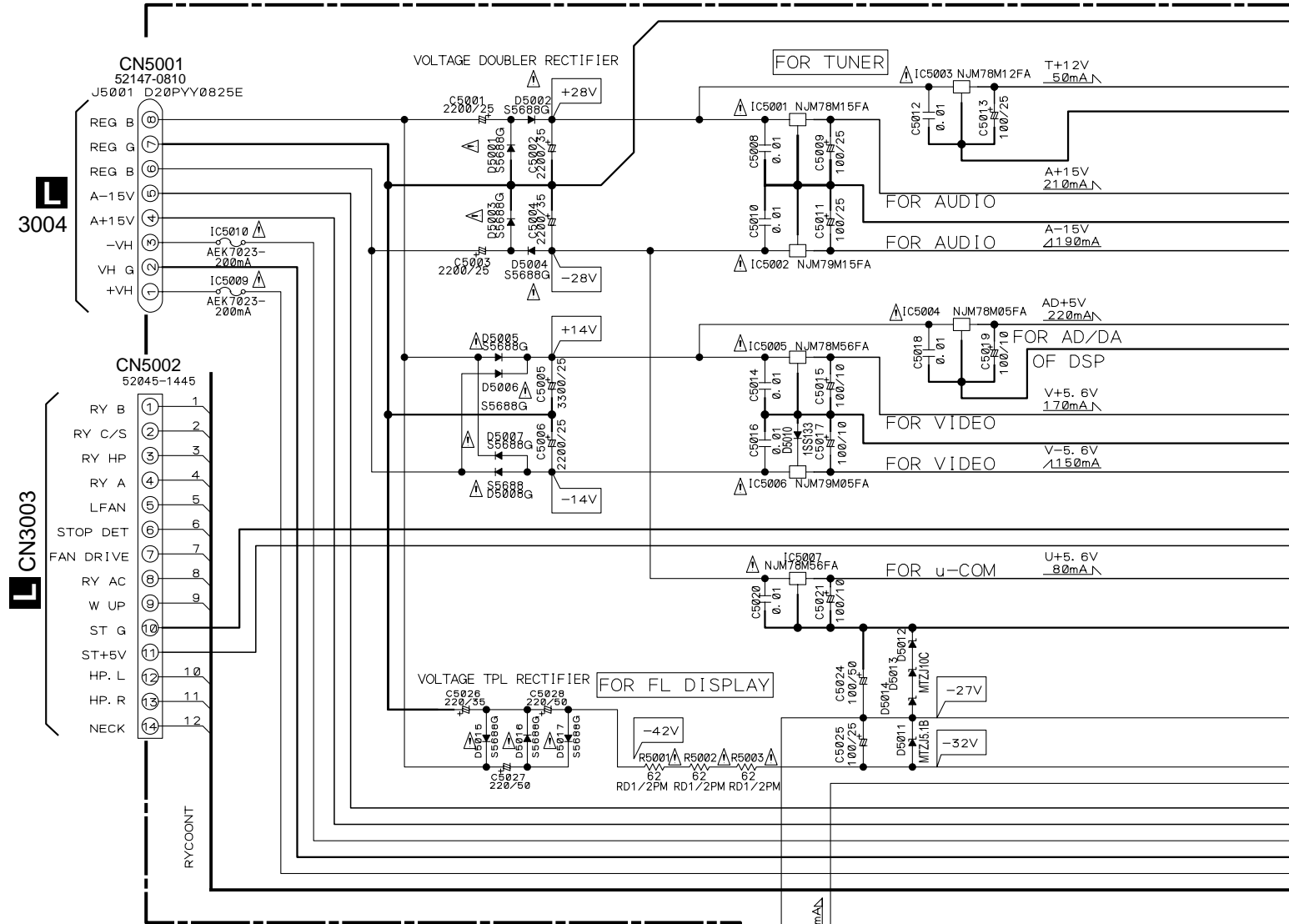
M CN5002



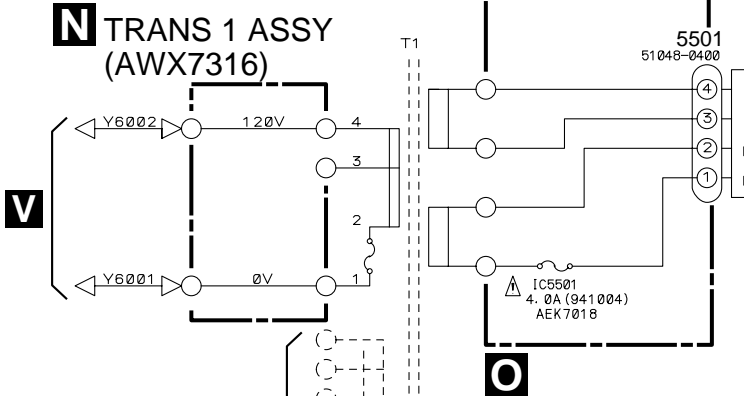
VSX-29TX, VSX-27TX, VSX-26TX, VSX-24TX, VSX-D908S

3.11 REGULATOR, TRANS 1 and TRANS 2-2 ASSYS

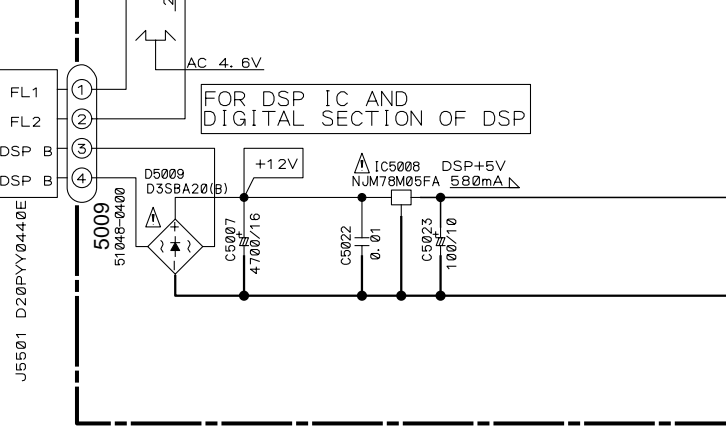
M REGULATOR ASSY (AWX7310)



N TRANS 1 ASSY (AWX7316)



O TRANS 2-2 ASSY (AWX7366)



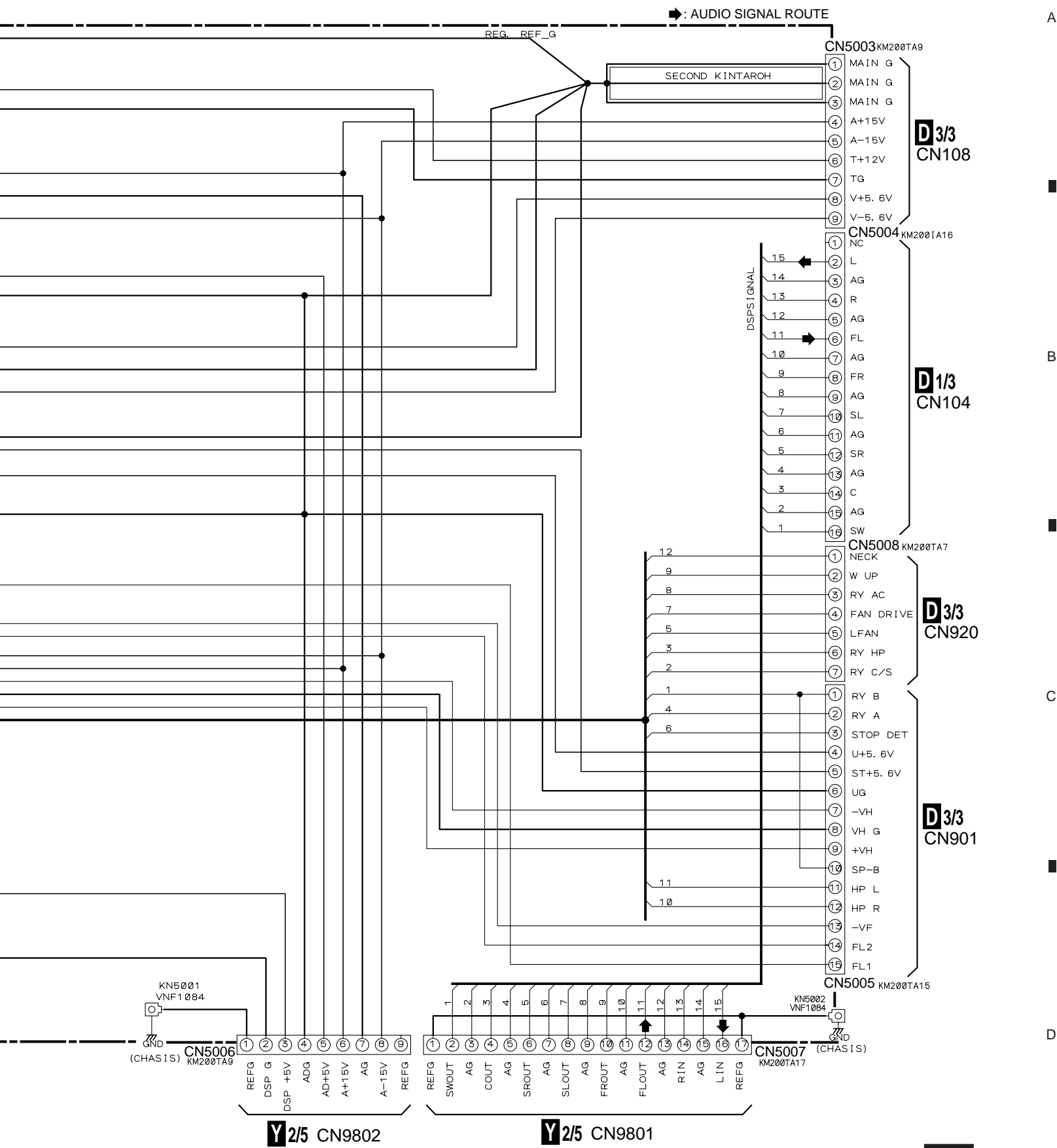
CAUTION : FOR CONT NUED PROTECTION AGA NST RISK OF FIRE. REPLACE ONLY WITH SAME TYPE NO. 491.200 MFD, BY LITTELFUSE INC. FOR IC5009, IC5010 (AEK7023).

CAUTION : FOR CONT NUED PROTECTION AGA NST RISK OF FIRE. REPLACE ONLY WITH SAME TYPE NO. 491004 MFD, BY LITTELFUSE INC. FOR IC5501 (AEK7018).

POWER TRANSFORMER



VSX-29TX, VSX-27TX, VSX-26TX,
VSX-24TX, VSX-D908S



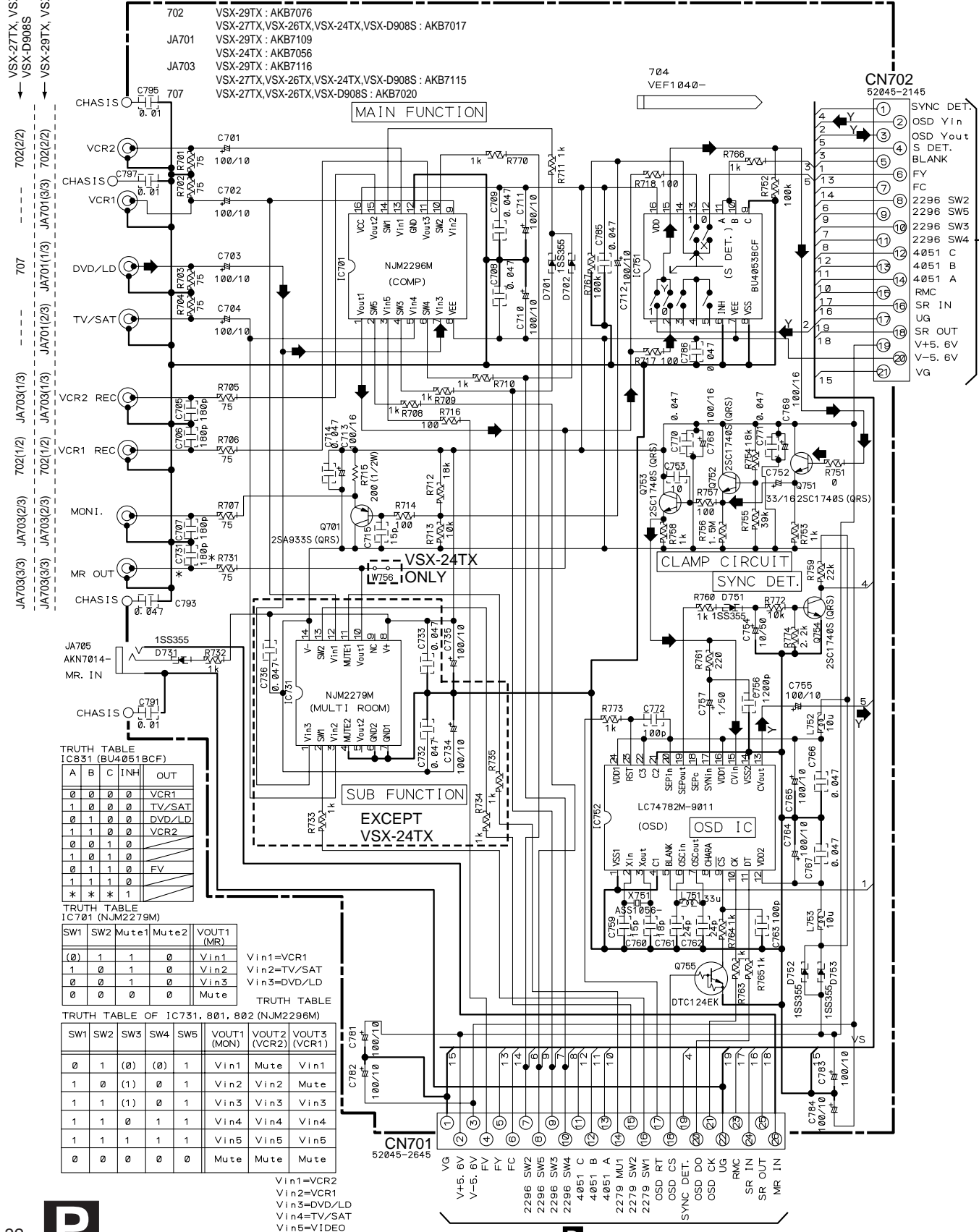
VSX-29TX, VSX-27TX, VSX-26TX, VSX-24TX, VSX-D908S

3.12 VIDEO and S-VIDEO ASSYS

P VIDEO ASSY
 (VSX-29TX : AWX7307)
 (VSX-27TX, VSX-26TX, VSX-D908S : AWX7394)
 (VSX-24TX : AWX7407)

TRUTH TABLE OF IC751 (BU4053BCF)

CONDITION	A	B	C	INH	X OUT	Y OUT
S NOT USED	0	0	0	0	1X	1Y
S USED	1	1	0	0	0X	0Y



TRUTH TABLE IC631 (8U4051BCF)

A	B	C	INH	OUT
0	0	0	0	VCR1
0	0	0	1	TV/SAT
0	1	0	0	DVD/LD
0	1	0	1	VCR2
0	0	1	0	
0	0	1	1	FV
1	1	1	0	
1	1	1	1	
*	*	*	1	

TRUTH TABLE IC701 (NJM2279M)

SW1	SW2	Mute1	Mute2	VOUT1 (MR)
0	1	1	0	Vin1
1	0	1	0	Vin2
0	0	1	0	Vin3
0	0	0	0	Mute

TRUTH TABLE OF IC731, 801, 802 (NJM2296M)

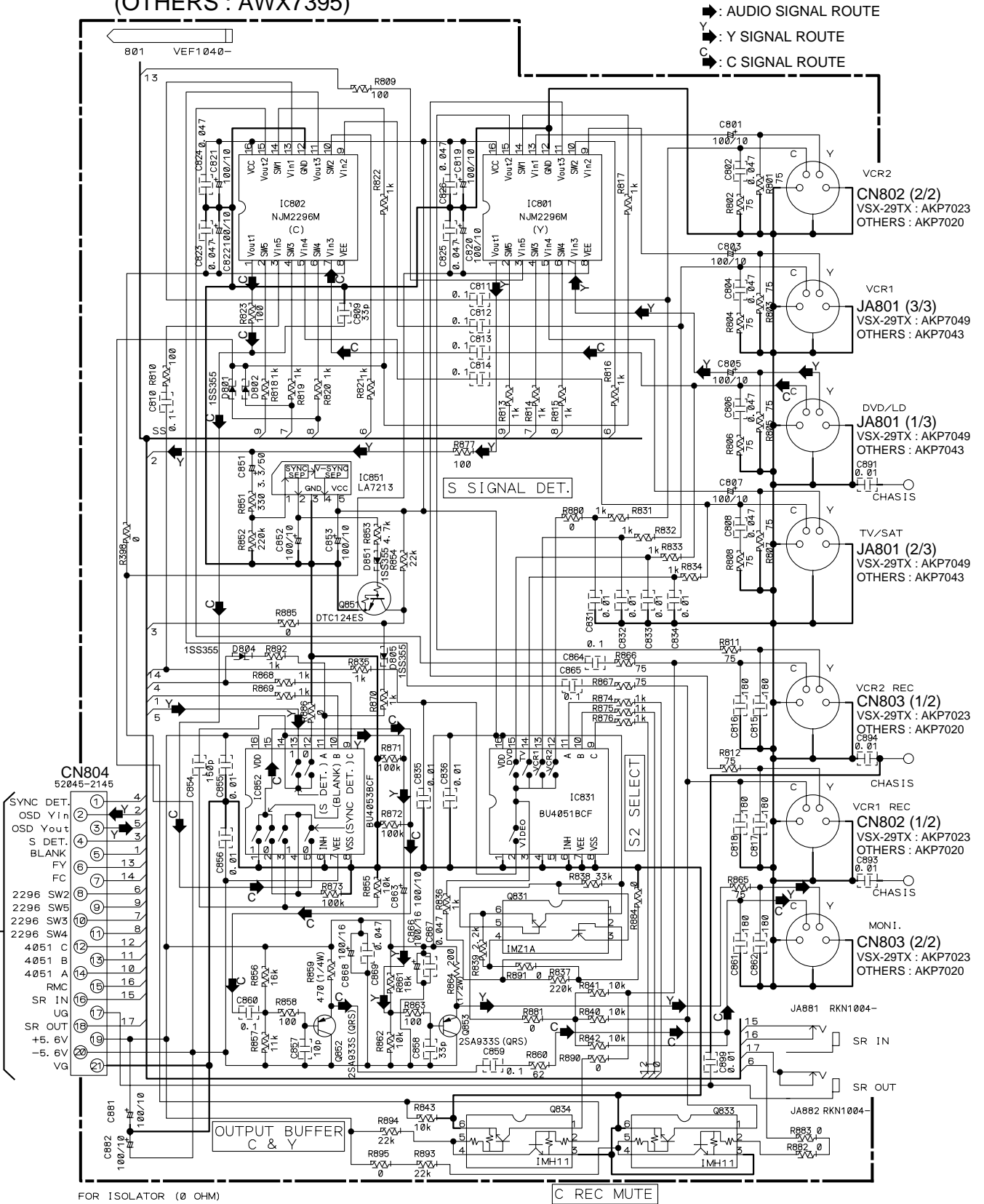
SW1	SW2	SW3	SW4	SW5	VOUT1 (MON)	VOUT2 (VCR2)	VOUT3 (VCR1)
0	1	(0)	(0)	1	Vin1	Mute	Vin1
1	0	(1)	0	1	Vin2	Vin2	Mute
1	1	(1)	0	1	Vin3	Vin3	Vin3
1	1	0	1	1	Vin4	Vin4	Vin4
1	1	1	1	1	Vin5	Vin5	Vin5
0	0	0	0	0	Mute	Mute	Mute

Vin1=VCR1
 Vin2=TV/SAT
 Vin3=DVD/LD
 Vin4=TV/SAT
 Vin5=VIDEO



VSX-29TX, VSX-27TX, VSX-26TX, VSX-24TX, VSX-D908S

S-VIDEO ASSY (VSX-29TX : AWX7308) (OTHERS : AWX7395)



FOR ISOLATOR (0 OHM)

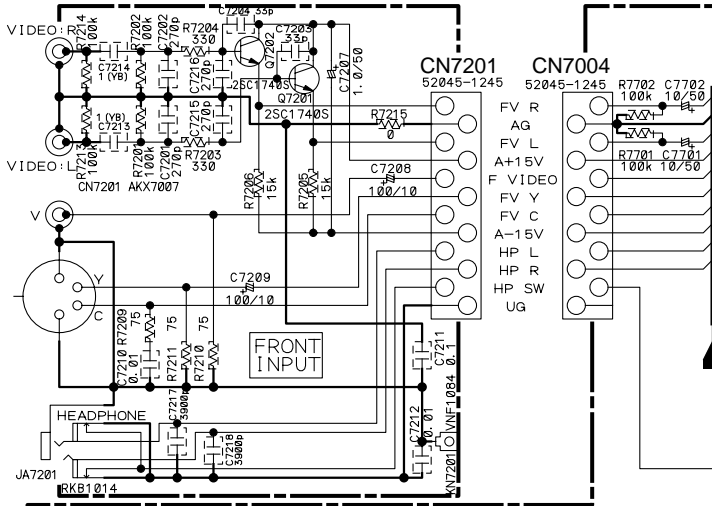
- R771 R887
- R775 R888
- R776 R889
- R777
- R778



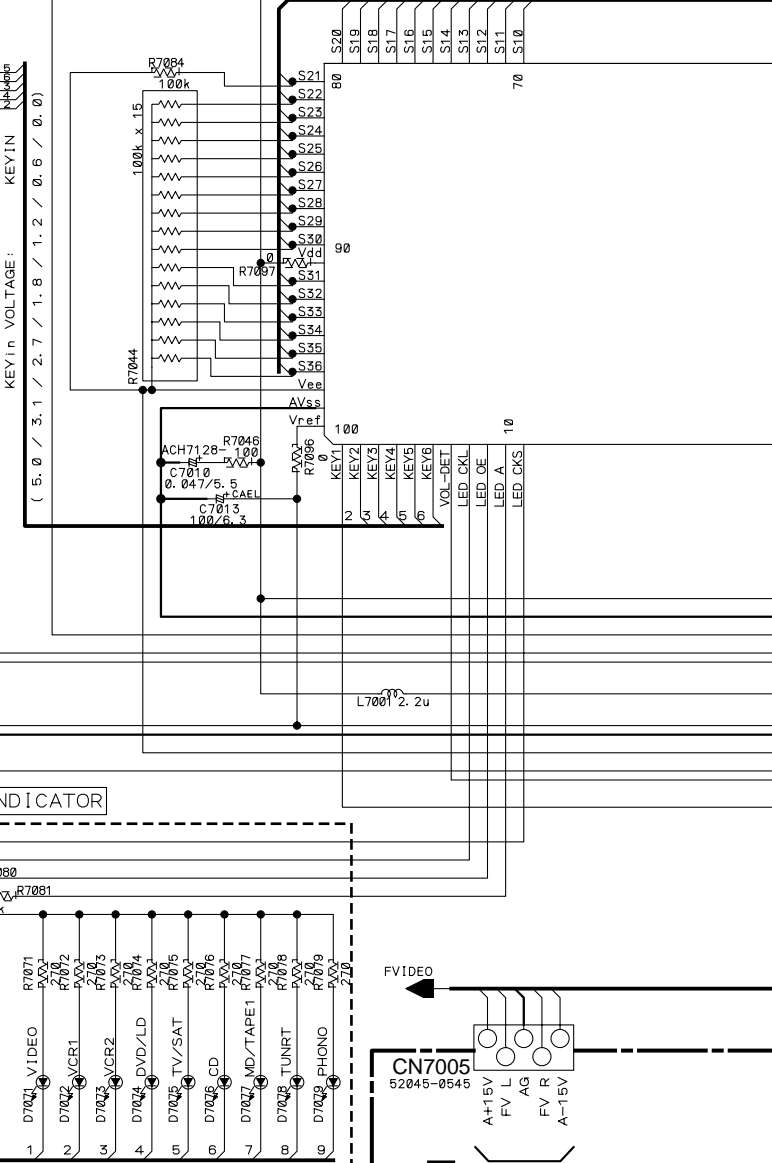
VSX-29TX, VSX-27TX, VSX-26TX, VSX-24TX, VSX-D908S

3.13 H. PHONE/F. VIDEO, DISPLAY, ROTARY ENCODER and VOLUME ASSYS

R H. PHONE/F. VIDEO ASSY (AWX7342)



S DISPLAY ASSY (VSX-29TX, VSX-27TX : AWX7327) (VSX-26TX : AWX7404) (VSX-24TX : AWX7408) (VSX-D908S : AWX7427)



D 1/3 CN906

B

C

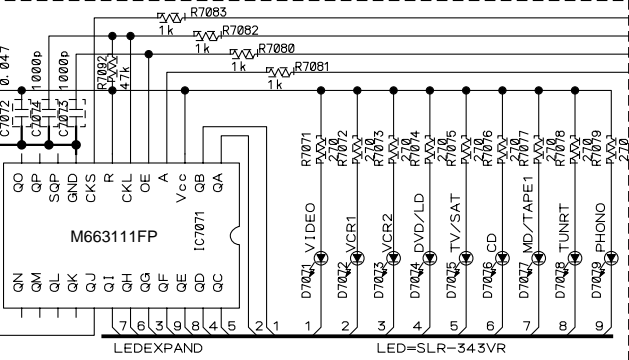
D

- S7001 : STANDARD
- S7002 : STEREO
- S7003 : DSP MODE
- S7004 : ADVANCED
- S7005 : THX CINEMA
- S7006 : STAND BY/ON
- S7007 : EXTERNAL DECODER IN
- S7008 : SPEAKERS
- S7009 : DIRECT
- S7010 : BASS -
- S7011 : LOUDNESS
- S7012 : BASS +
- S7013 : MIDNIGHT
- S7014 : TREBLE -
- S7015 : DIGITAL NR
- S7016 : TREBLE +
- S7017 : SIGNAL SELECT
- S7018 : INPUT ATT
- S7019 : MPX
- S7020 : TAPE2 MONITOR
- S7021 : CLASS
- S7022 : FL DIMMER
- S7023 : FM/AM
- S7024 : MEMORY
- S7025 : TUNING -
- S7026 : STATION -
- S7027 : TUNING +
- S7028 : STATION +
- S7029 : CONTROL
- S7030 : MULTI-ROOM & SOURCE

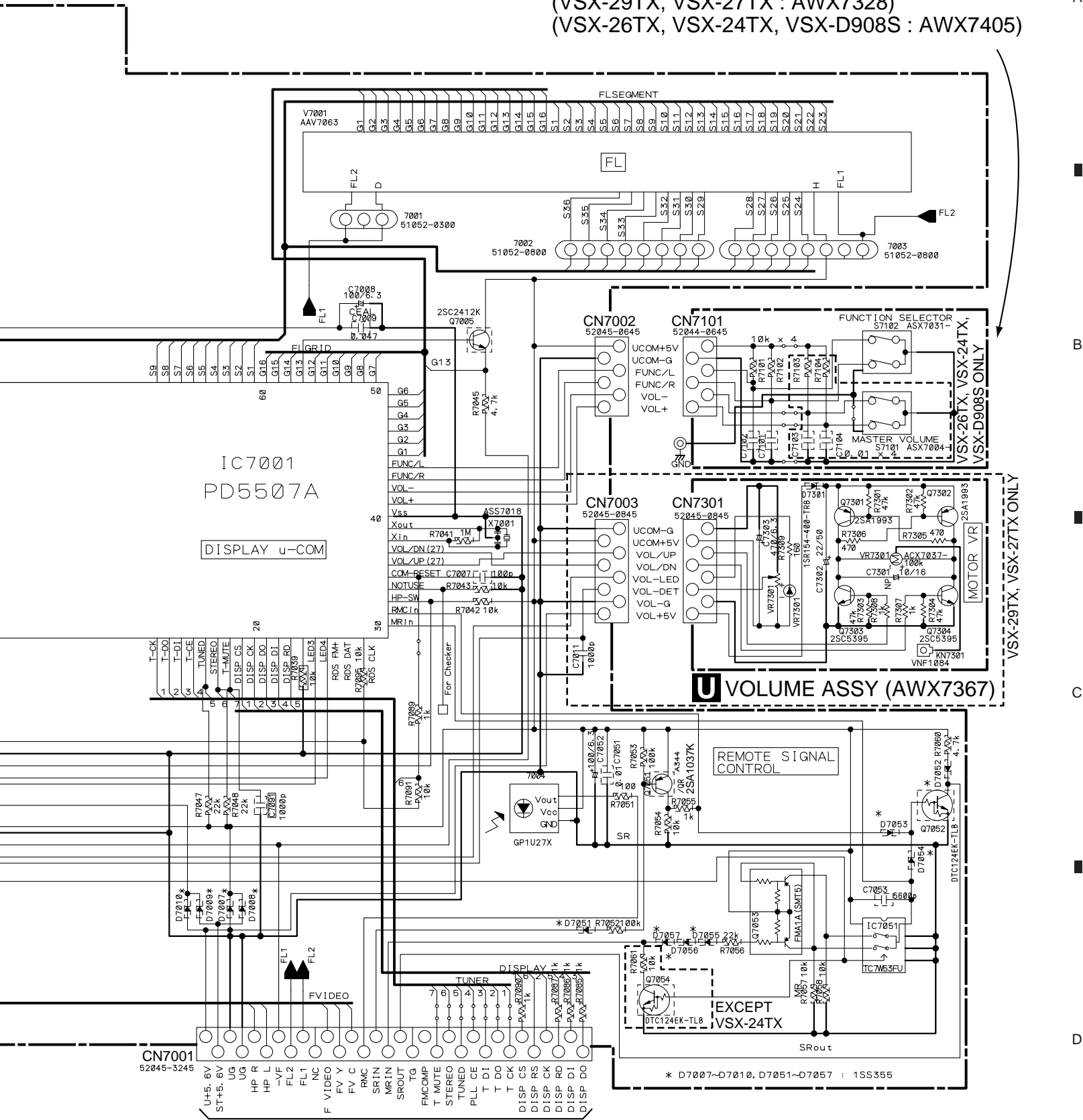
EXCEPT VSX-24TX

VSX-29TX, VSX-27TX ONLY

FUNCTION INDICATOR



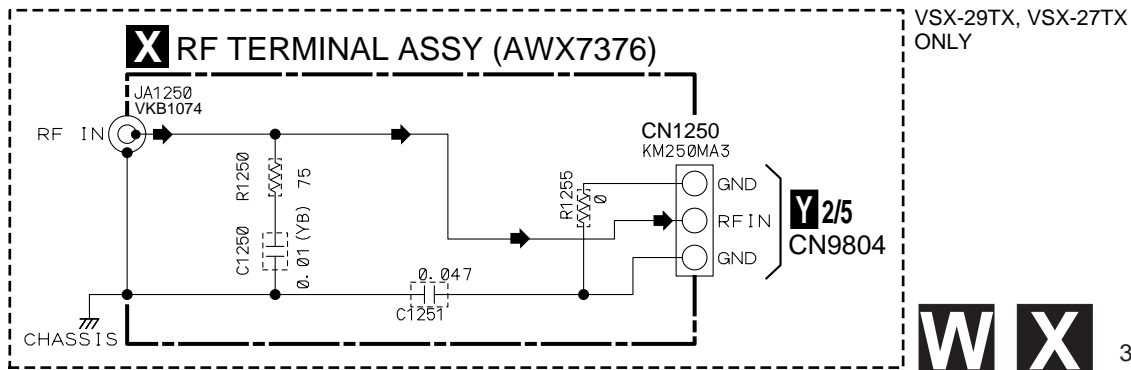
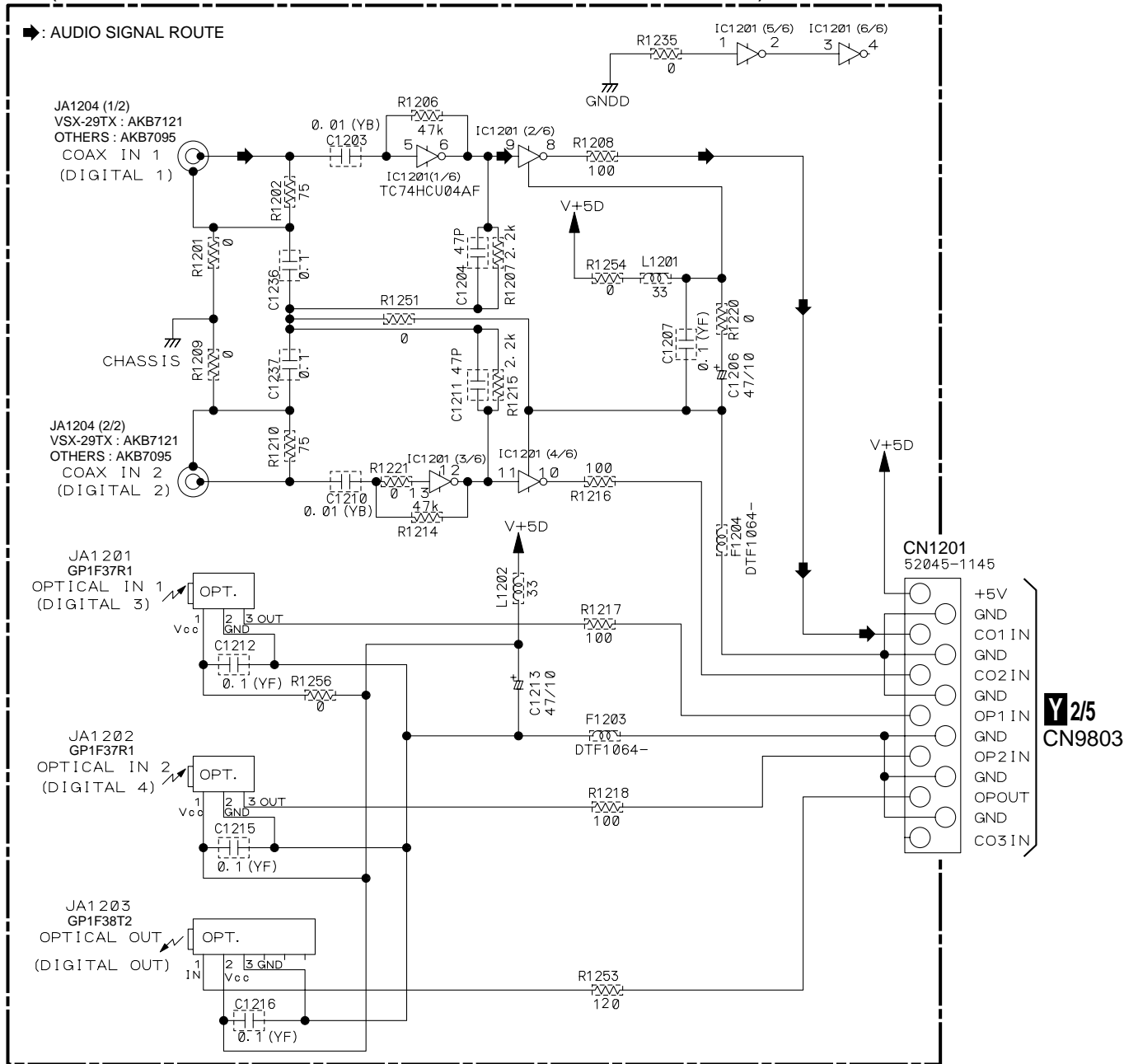
T ROTARY ENCODER ASSY
(VSX-29TX, VSX-27TX : AWX7328)
(VSX-26TX, VSX-24TX, VSX-D908S : AWX7405)



D3/3 CN904

3.15 DIGITAL-I/O and RF TERMINAL ASSYS

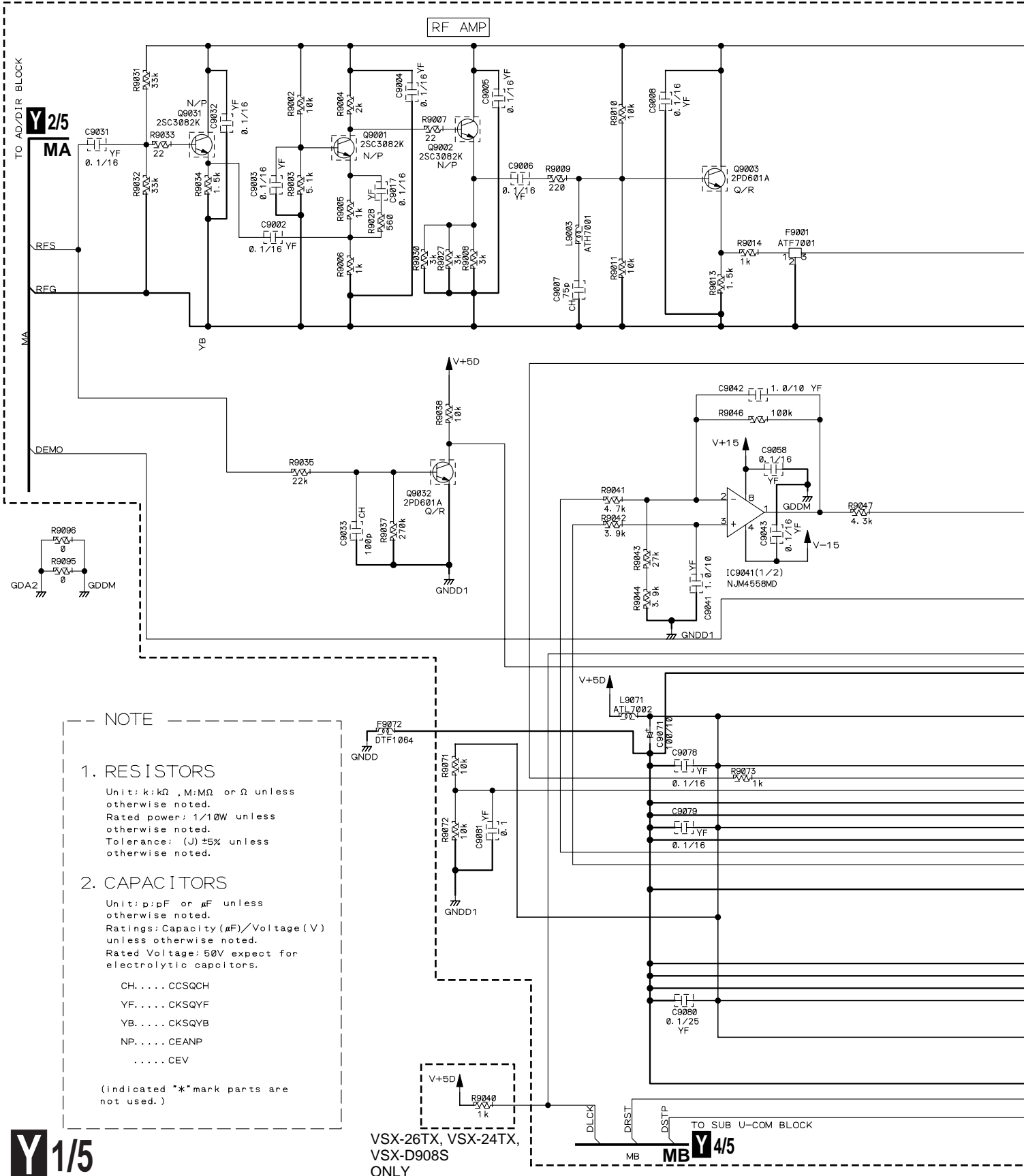
W DIGITAL-I/O ASSY
(VSX-29TX : AWX7315)
(VSX-27TX, VSX-26TX, VSX-24TX, VSX-D908S : AWX7396)



VSX-29TX, VSX-27TX, VSX-26TX, VSX-24TX, VSX-D908S

3.16 DSP ASSY (1/5)

Y 1/5 DSP ASSY
(VSX-29TX, VSX-27TX : AWX7272)
(VSX-26TX, VSX-24TX, VSX-D908S : AWX7433)



NOTE

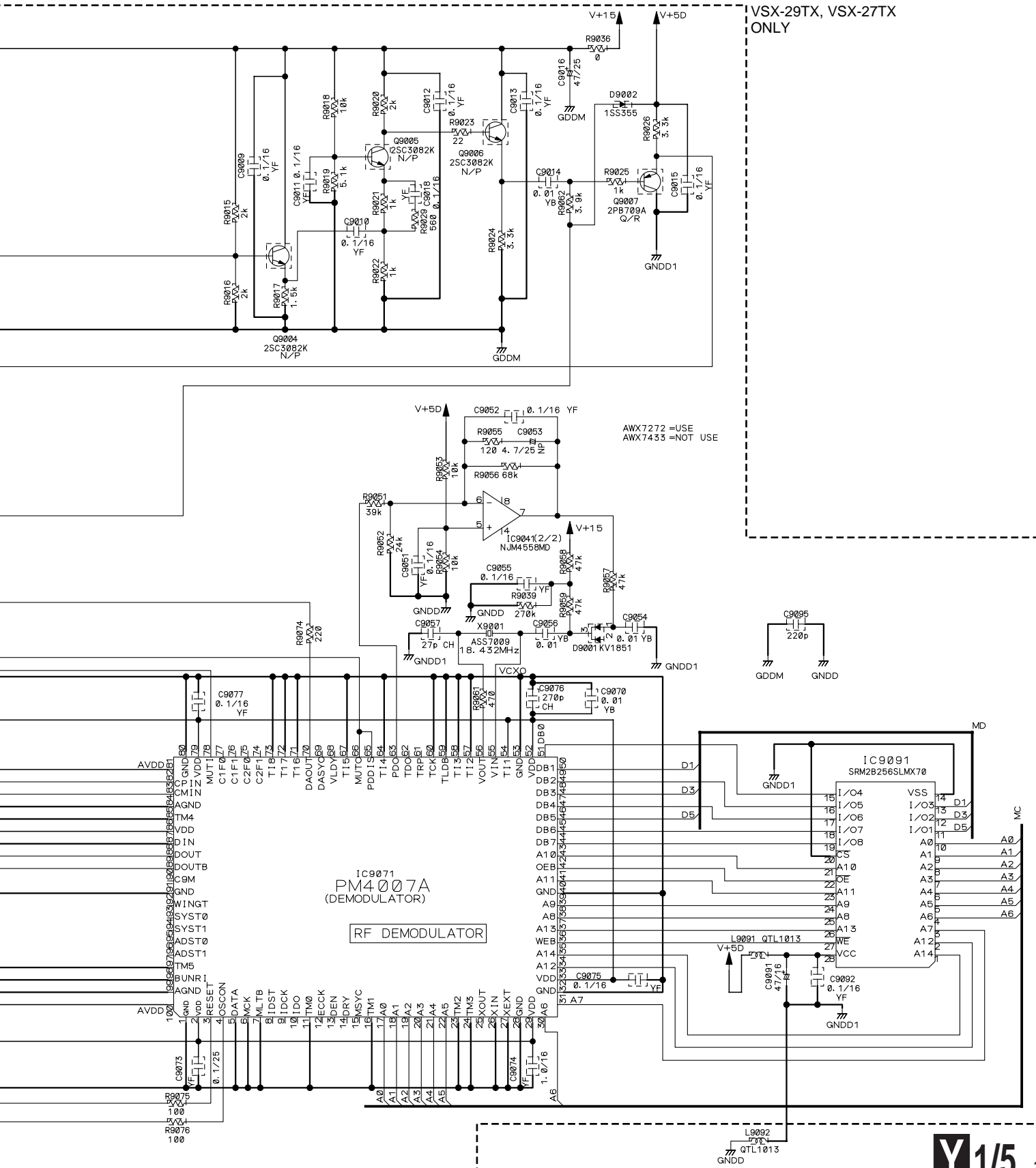
1. RESISTORS
Unit: k:kΩ, M:MΩ or Ω unless otherwise noted.
Rated power: 1/10W unless otherwise noted.
Tolerance: (J) ±5% unless otherwise noted.

2. CAPACITORS
Unit: p:pF or μF unless otherwise noted.
Ratings: Capacity (μF)/Voltage (V) unless otherwise noted.
Rated Voltage: 50V expect for electrolytic capacitors.

CH. CCSQCH
YF. CKSQYF
YB. CKSQYB
NP. CEANP
..... CEV

(Indicated "*"mark parts are not used.)

VSX-26TX, VSX-24TX,
VSX-D908S
ONLY




VSX-29TX, VSX-27TX ONLY

AWX7272 =USE
AWX7453 =NOT USE

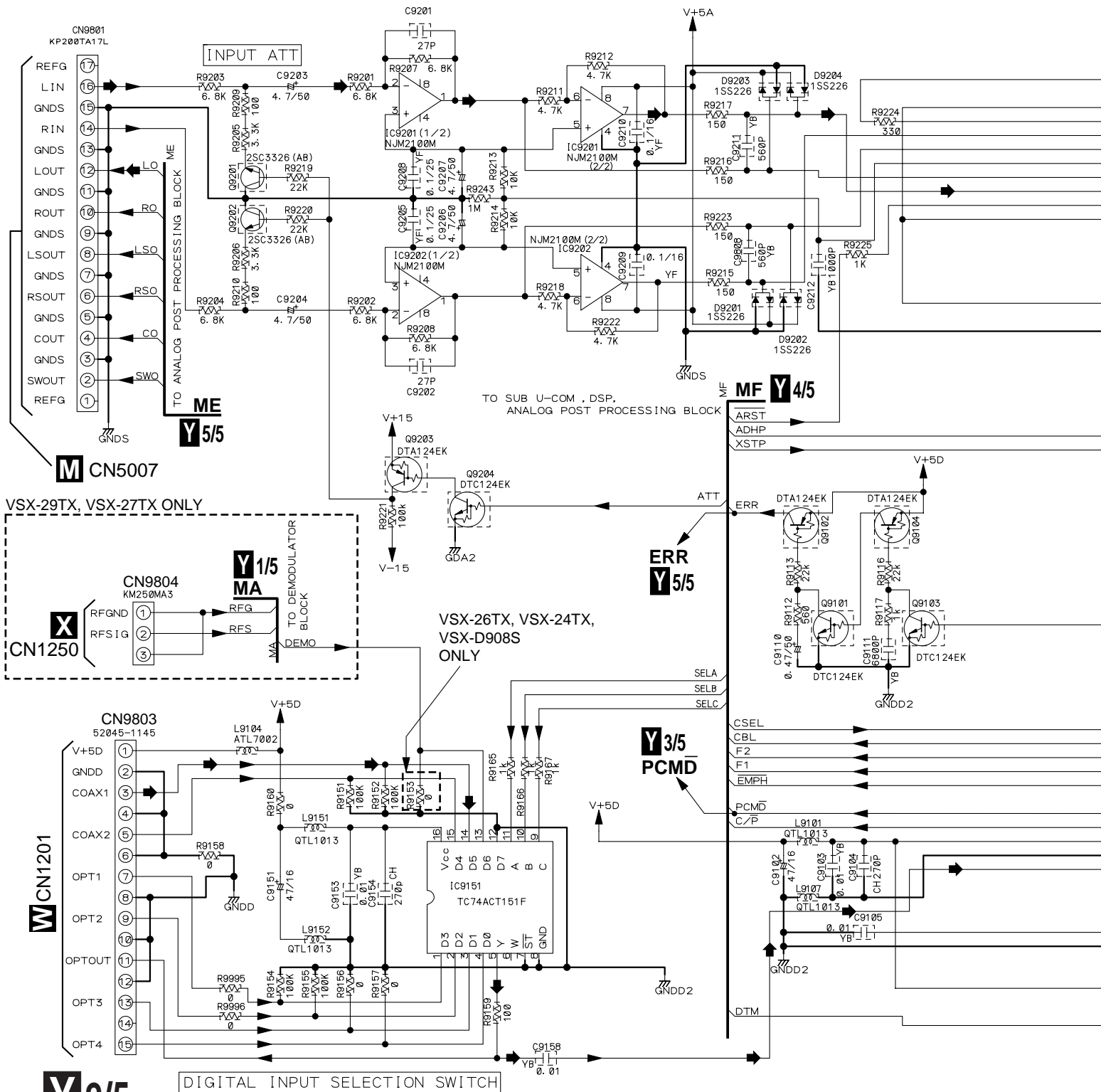
VSX-29TX, VSX-27TX, VSX-26TX, VSX-24TX, VSX-D908S

3.17 DSP ASSY (2/5)

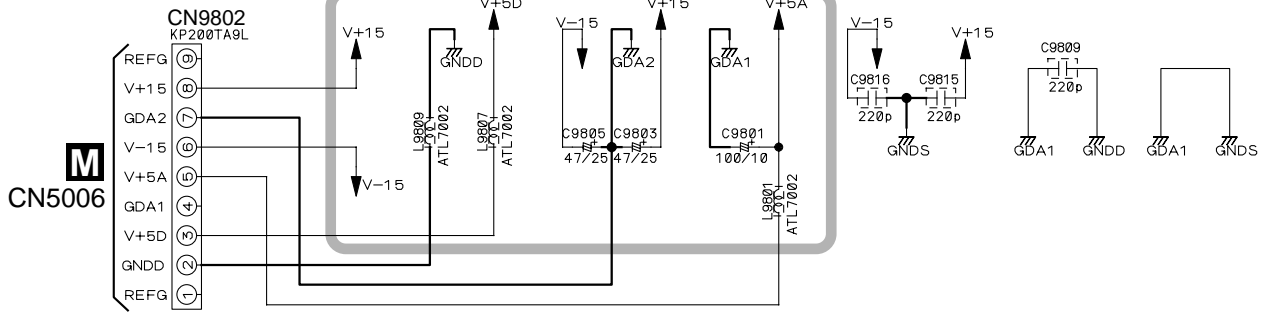
 : The power supply is shown with the marked box.

Y 2/5 DSP ASSY
(VSX-29TX, VSX-27TX : AWX7272)
(VSX-26TX, VSX-24TX, VSX-D908S : AWX7433)

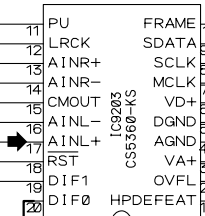
 : AUDIO SIGNAL ROUTE



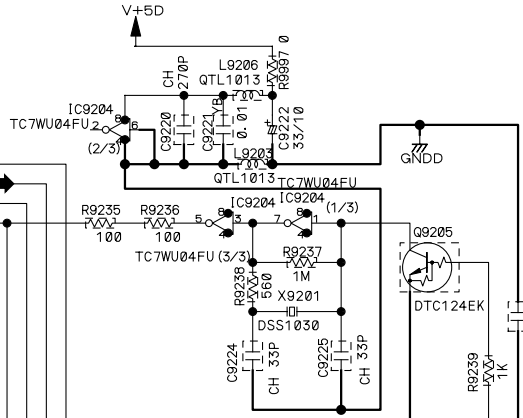
VSX-29TX, VSX-27TX, VSX-26TX, VSX-24TX, VSX-D908S



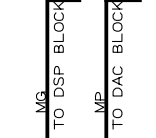
A/D CONVERTER



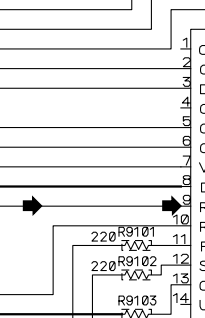
MASTER CLOCK



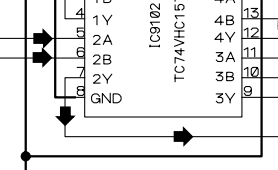
Y 3/5 Y 4/5 MG MP



DIR



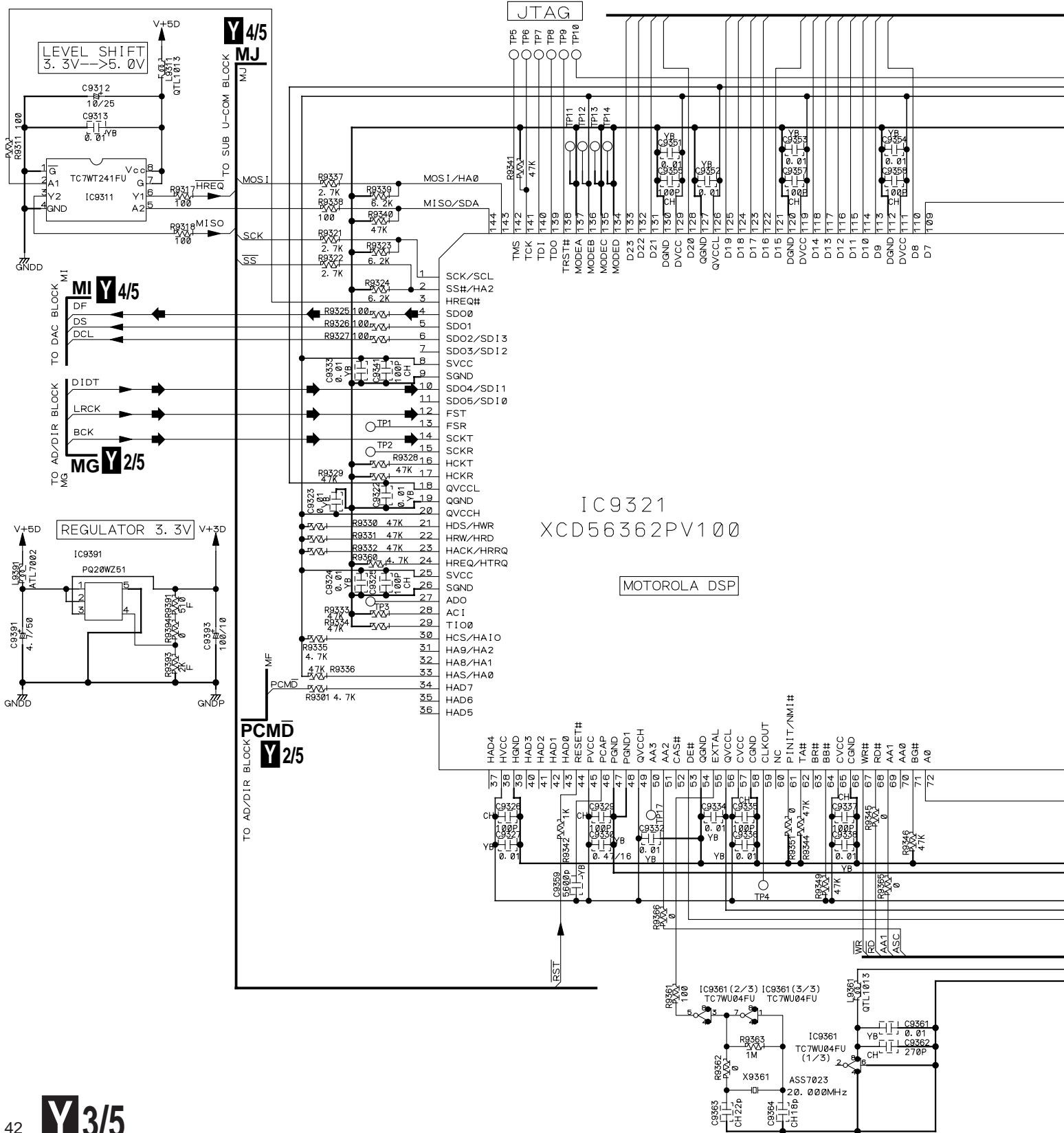
SELECT1

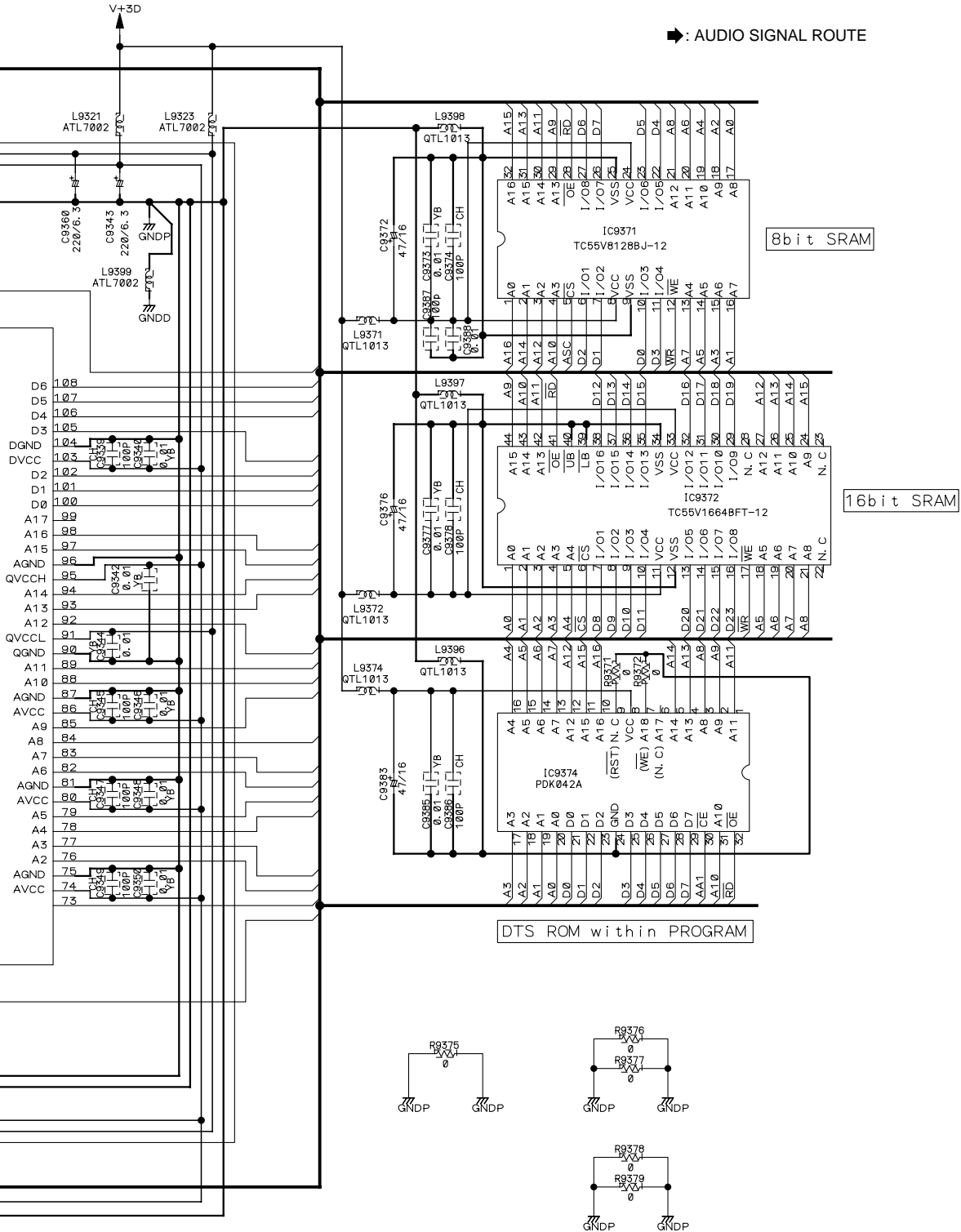


VSX-29TX, VSX-27TX, VSX-26TX, VSX-24TX, VSX-D908S

3.18 DSP ASSY (3/5)

Y 3/5 DSP ASSY
(VSX-29TX, VSX-27TX : AWX7272)
(VSX-26TX, VSX-24TX, VSX-D908S : AWX7433)





➔ : AUDIO SIGNAL ROUTE

8bit SRAM

16bit SRAM

DTS ROM within PROGRAM

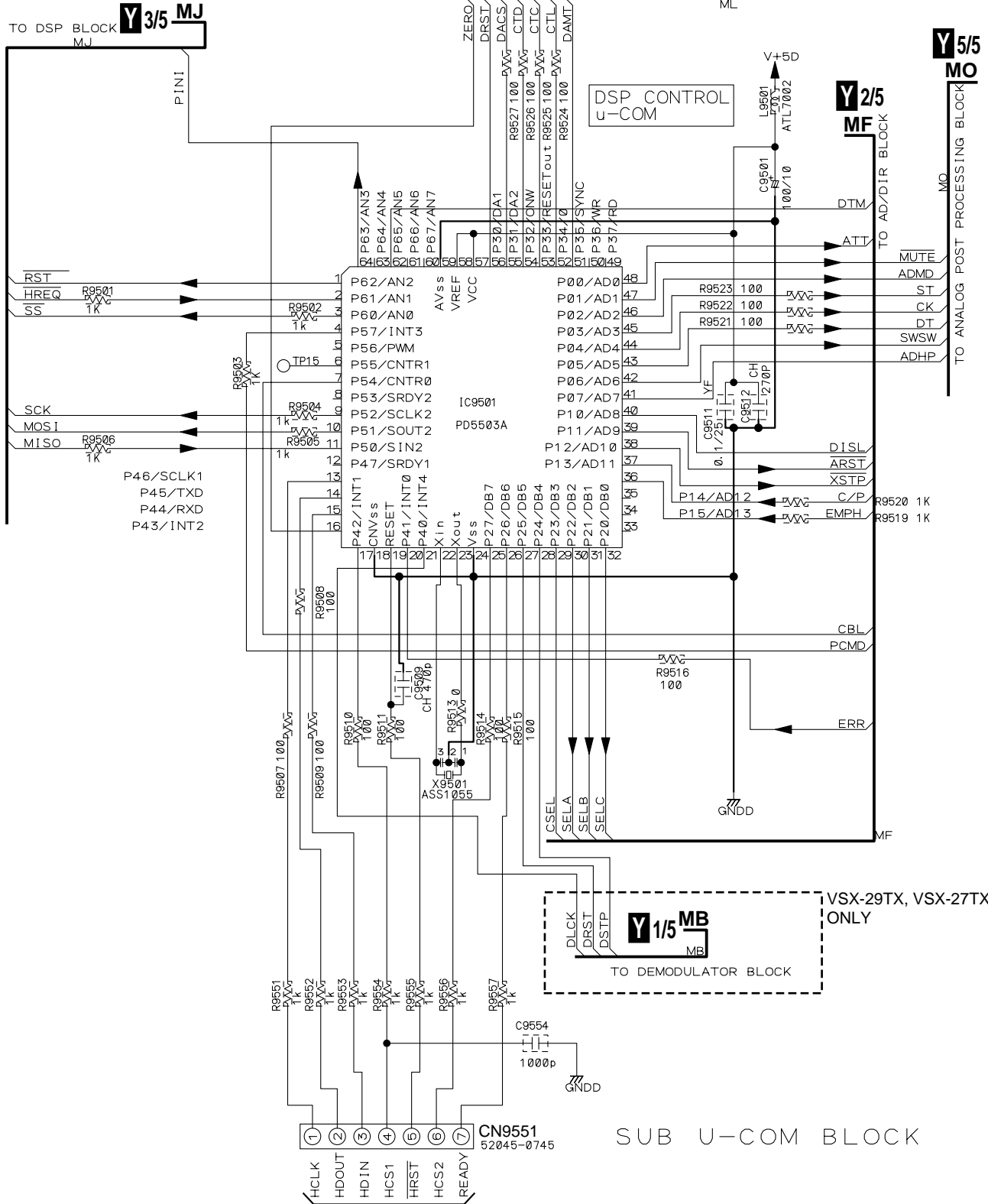
VSX-29TX, VSX-27TX, VSX-26TX, VSX-24TX, VSX-D908S

3.19 DSP ASSY (4/5)

Y 4/5 DSP ASSY
(VSX-29TX, VSX-27TX : AWX7272)
(VSX-26TX, VSX-24TX, VSX-D908S : AWX7433)

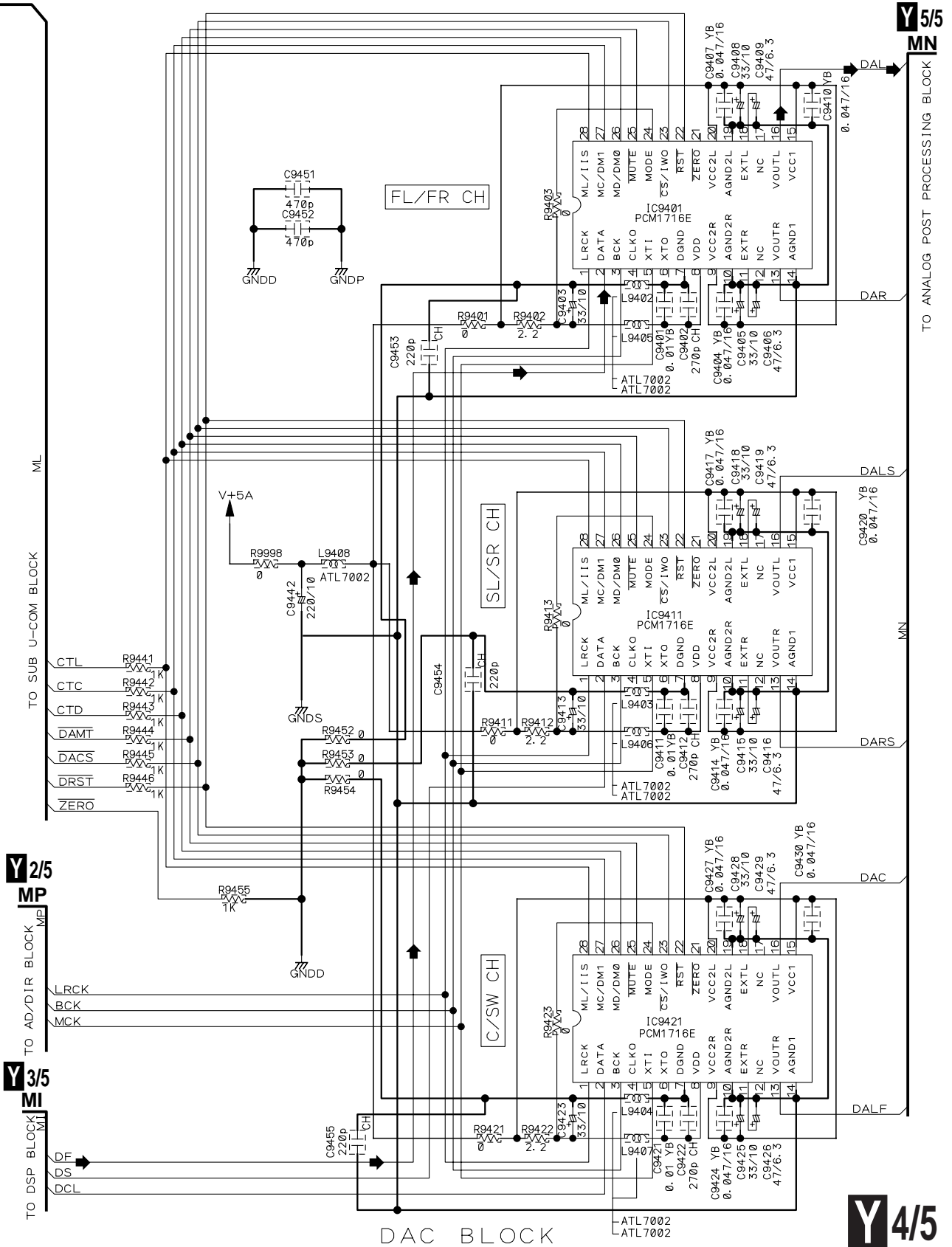
TO DAC BLOCK

ML



VSX-29TX, VSX-27TX, VSX-26TX, VSX-24TX, VSX-D908S

◆ : AUDIO SIGNAL ROUTE



Y2/5 MP

Y3/5 MI

Y4/5

VSX-29TX, VSX-27TX, VSX-26TX,
VSX-24TX, VSX-D908S

3.20 DSP ASSY (5/5)

Y 5/5

DSP ASSY

(VSX-29TX, VSX-27TX : AWX7272)

(VSX-26TX, VSX-24TX, VSX-D908S : AWX7433)

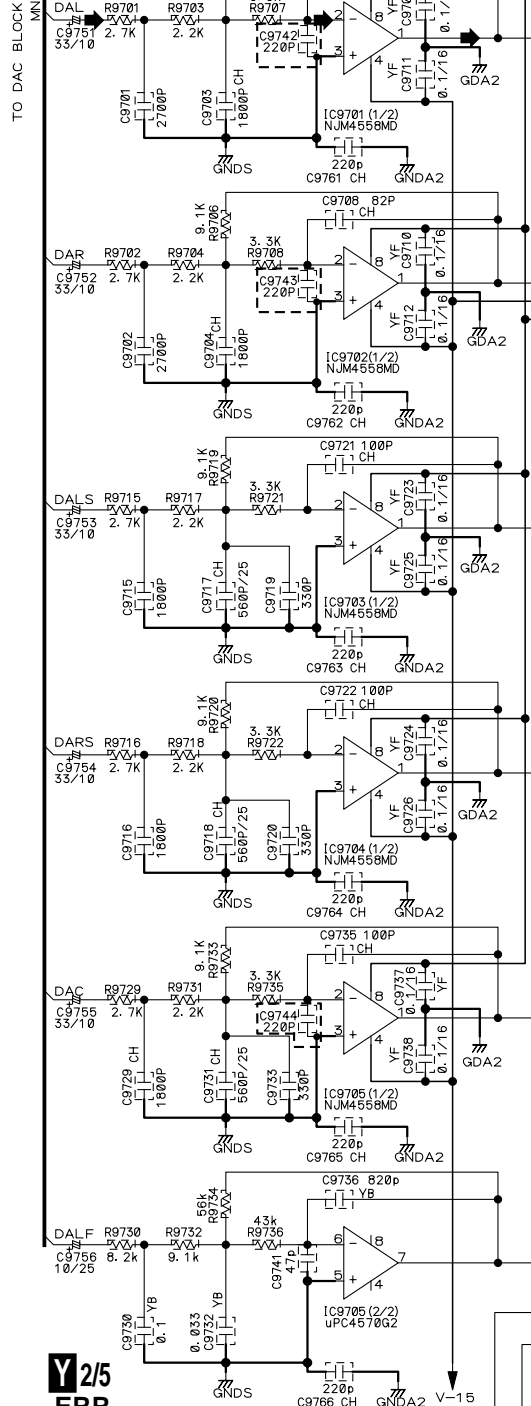
A

B

C

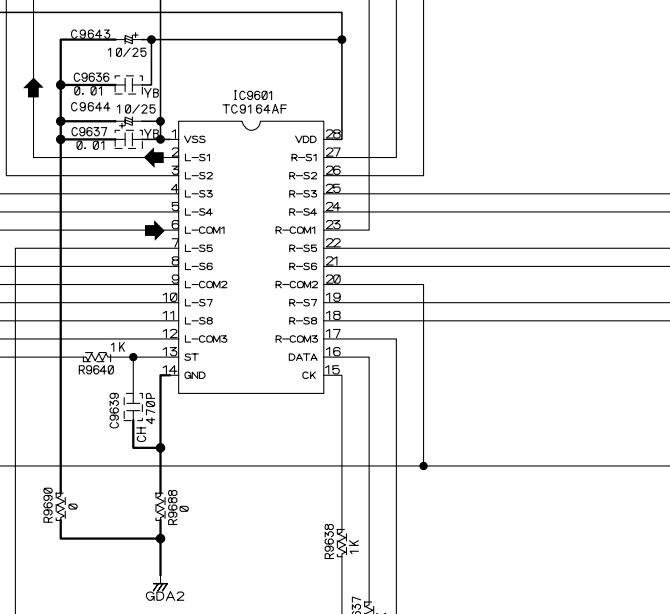
D

Y 4/5
MN



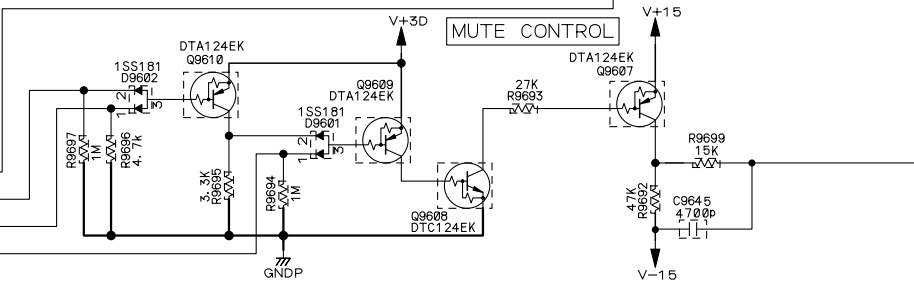
C9742 - C9744 :
VSX-29TX,
VSX-27TX
ONLY

FL, FR, SL, SR MIXAMP & GAIN SW



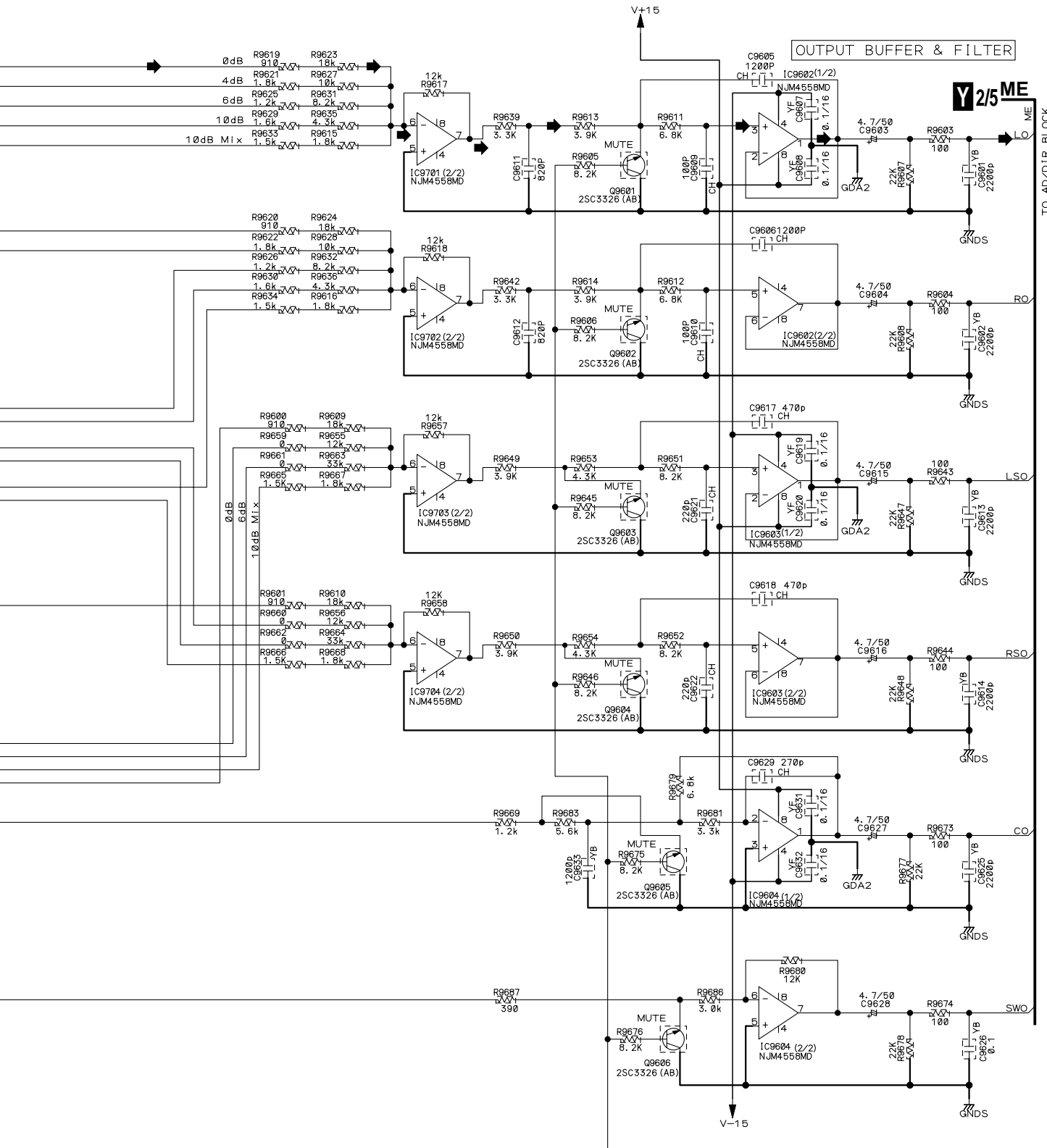
Y 2/5
ERR

Y 4/5
MO



VSX-29TX, VSX-27TX, VSX-26TX, VSX-24TX, VSX-D908S

➔ : AUDIO SIGNAL ROUTE

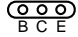
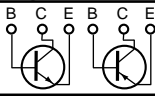

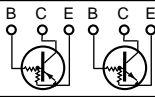
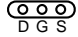
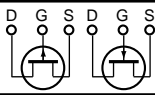

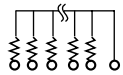
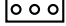
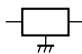


VSX-29TX, VSX-27TX, VSX-26TX, VSX-24TX, VSX-D908S

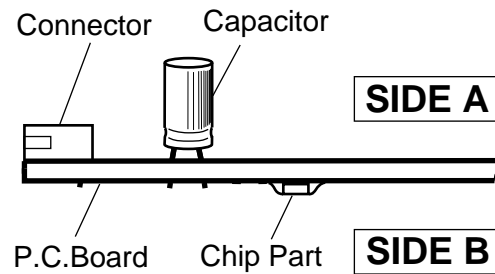
4. PCB CONNECTION DIAGRAM

NOTE FOR PCB DIAGRAMS :

1. Part numbers in PCB diagrams match those in the schematic diagrams.
2. A comparison between the main parts of PCB and schematic diagrams is shown below.

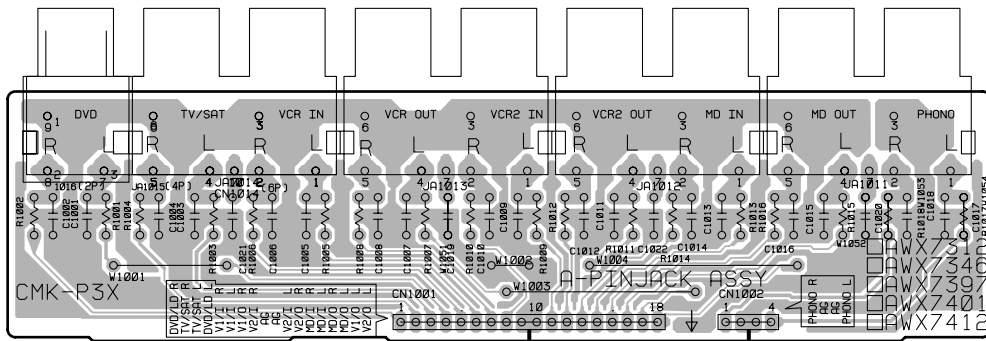
Symbol In PCB Diagrams	Symbol In Schematic Diagrams	Part Name
		Transistor
		Transistor with resistor
		Field effect transistor
		Resistor array
		3-terminal regulator

3. The parts mounted on this PCB include all necessary parts for several destinations.
For further information for respective destinations, be sure to check with the schematic diagram.
4. View point of PCB diagrams.

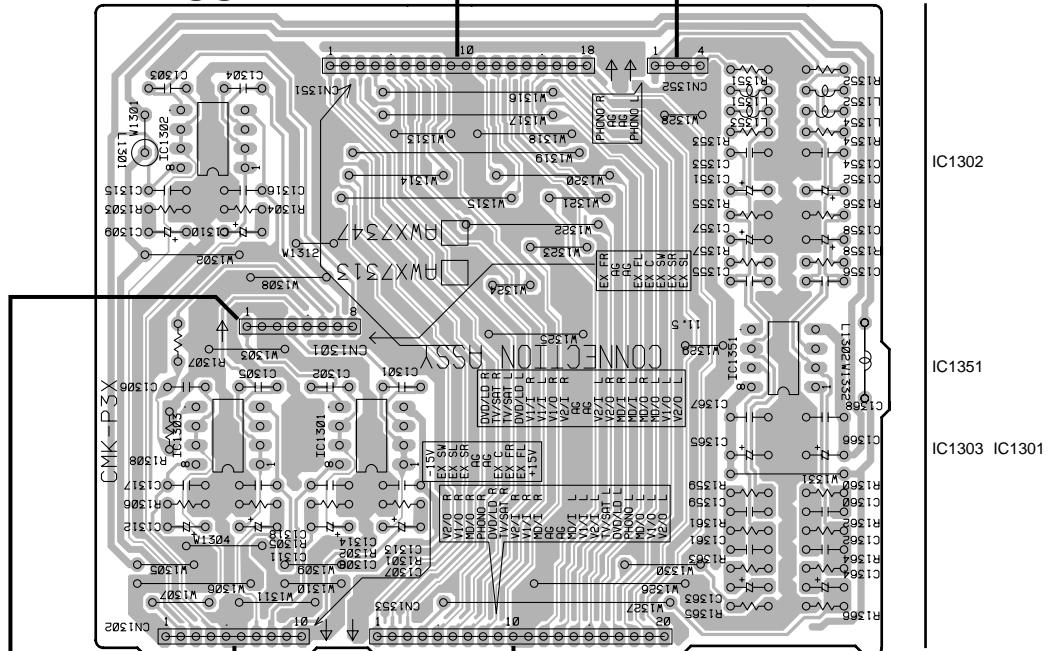


4.1 EXTRA-5.1 (EXTERNAL IN), A-PINJACK and CONNECTION ASSYS

B A-PINJACK ASSY



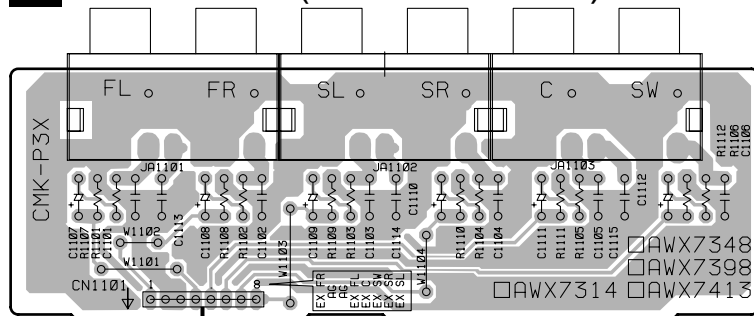
C CONNECTION ASSY



D CN103

D CN101

A EXTRA-5.1 (EXTERNAL IN) ASSY



(ANP7308-B)

SIDE A

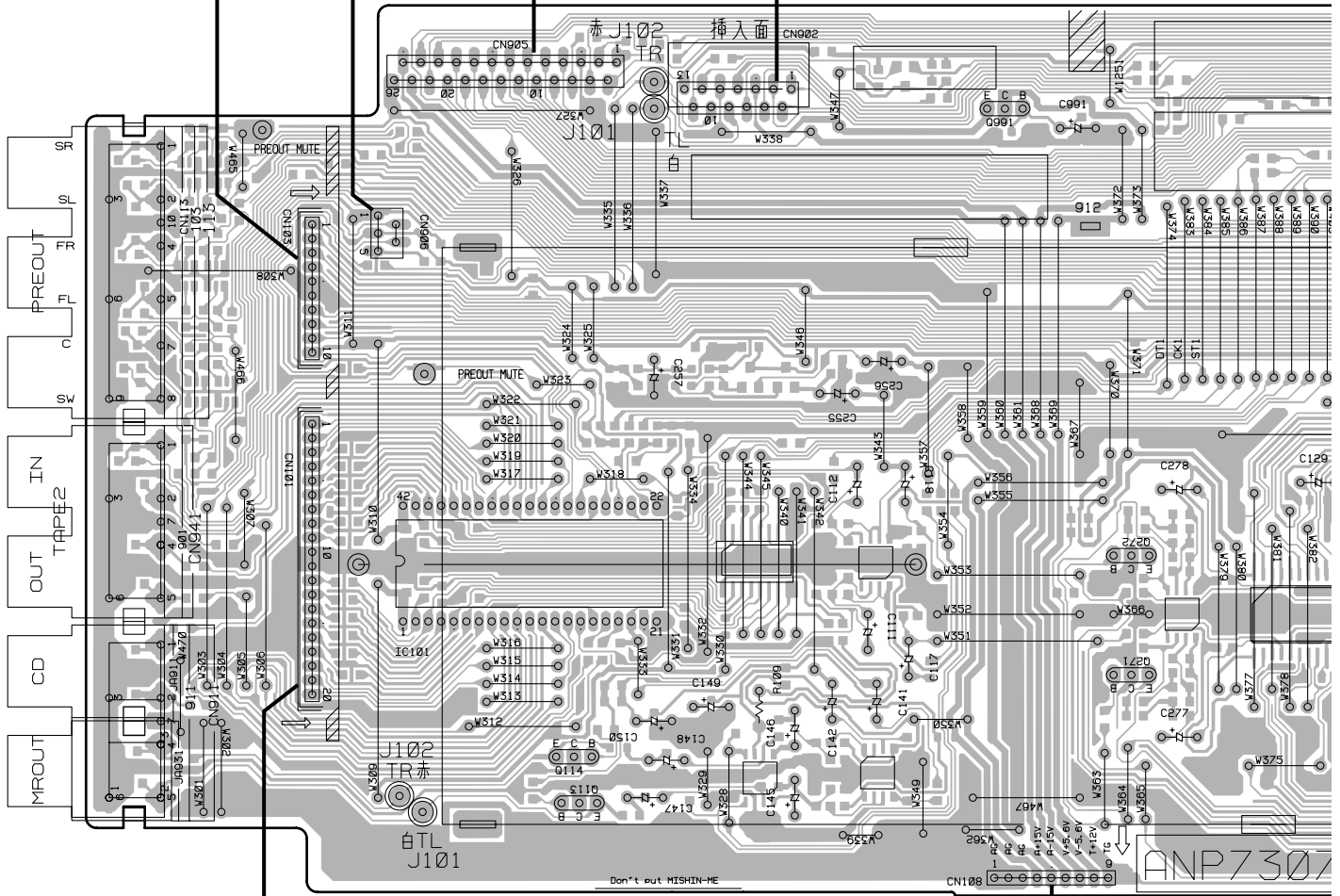


1 2 3 4

VSX-29TX, VSX-27TX, VSX-26TX, VSX-24TX, VSX-D908S

4.2 MAIN CONTROL ASSY

C CN1302 **S** CN7005 **P** CN701 To FM/AM TUNER UNIT



C CN1353

M CN5003

IC101
Q114
Q113

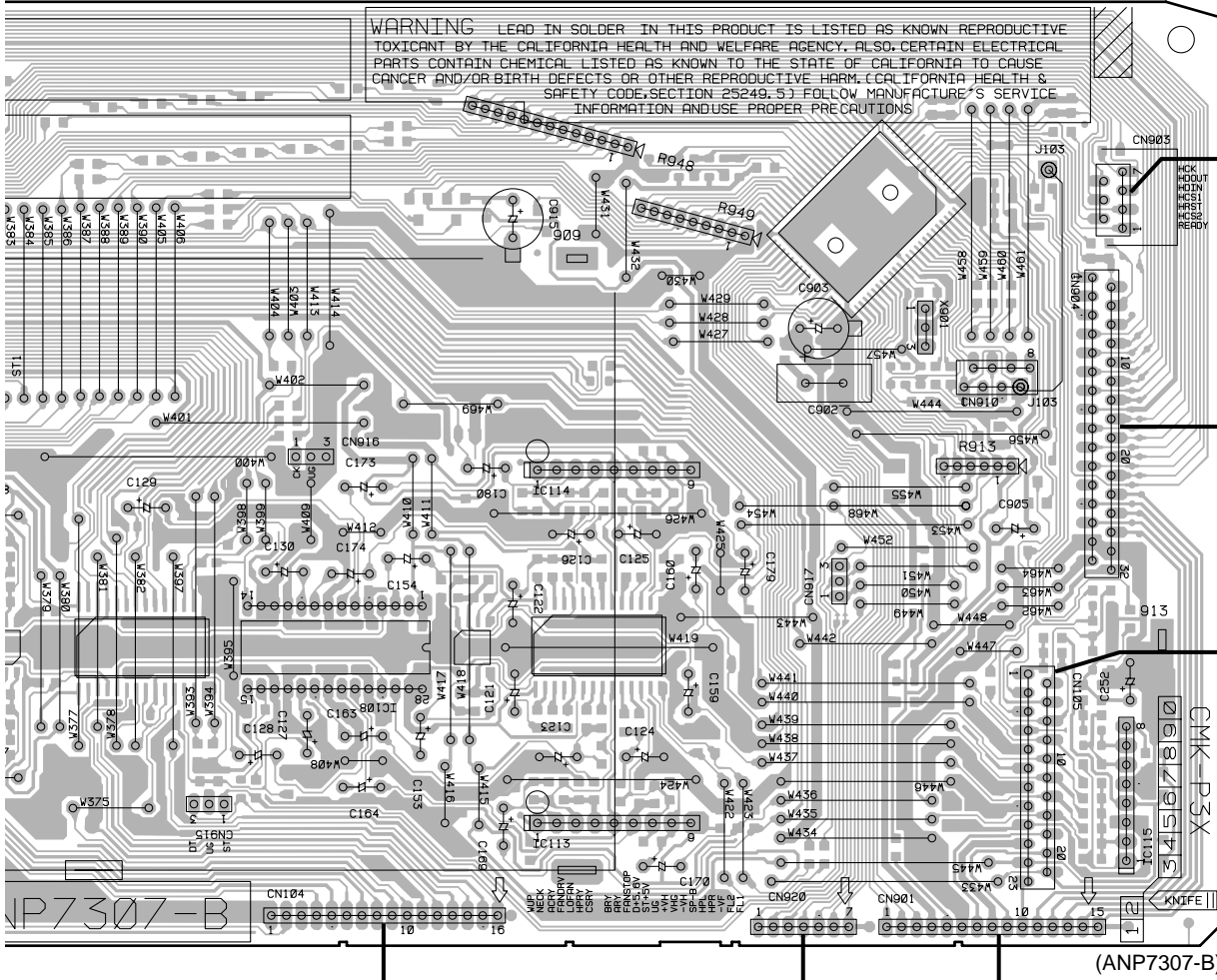
Q991

Q272
Q271

SIDE A

VSX-29TX, VSX-27TX, VSX-26TX, VSX-24TX, VSX-D908S

D MAIN CONTROL ASSY



WARNING LEAD IN SOLDER IN THIS PRODUCT IS LISTED AS KNOWN REPRODUCTIVE TOXICANT BY THE CALIFORNIA HEALTH AND WELFARE AGENCY. ALSO, CERTAIN ELECTRICAL PARTS CONTAIN CHEMICAL LISTED AS KNOWN TO THE STATE OF CALIFORNIA TO CAUSE CANCER AND/OR BIRTH DEFECTS OR OTHER REPRODUCTIVE HARM. CALIFORNIA HEALTH & SAFETY CODE, SECTION 25249.5) FOLLOW MANUFACTURE'S SERVICE INFORMATION AND USE PROPER PRECAUTIONS

Y CN951

S CN7001

E CN501

M CN5004

M CN5008

M CN5005

IC108

IC114

IC113

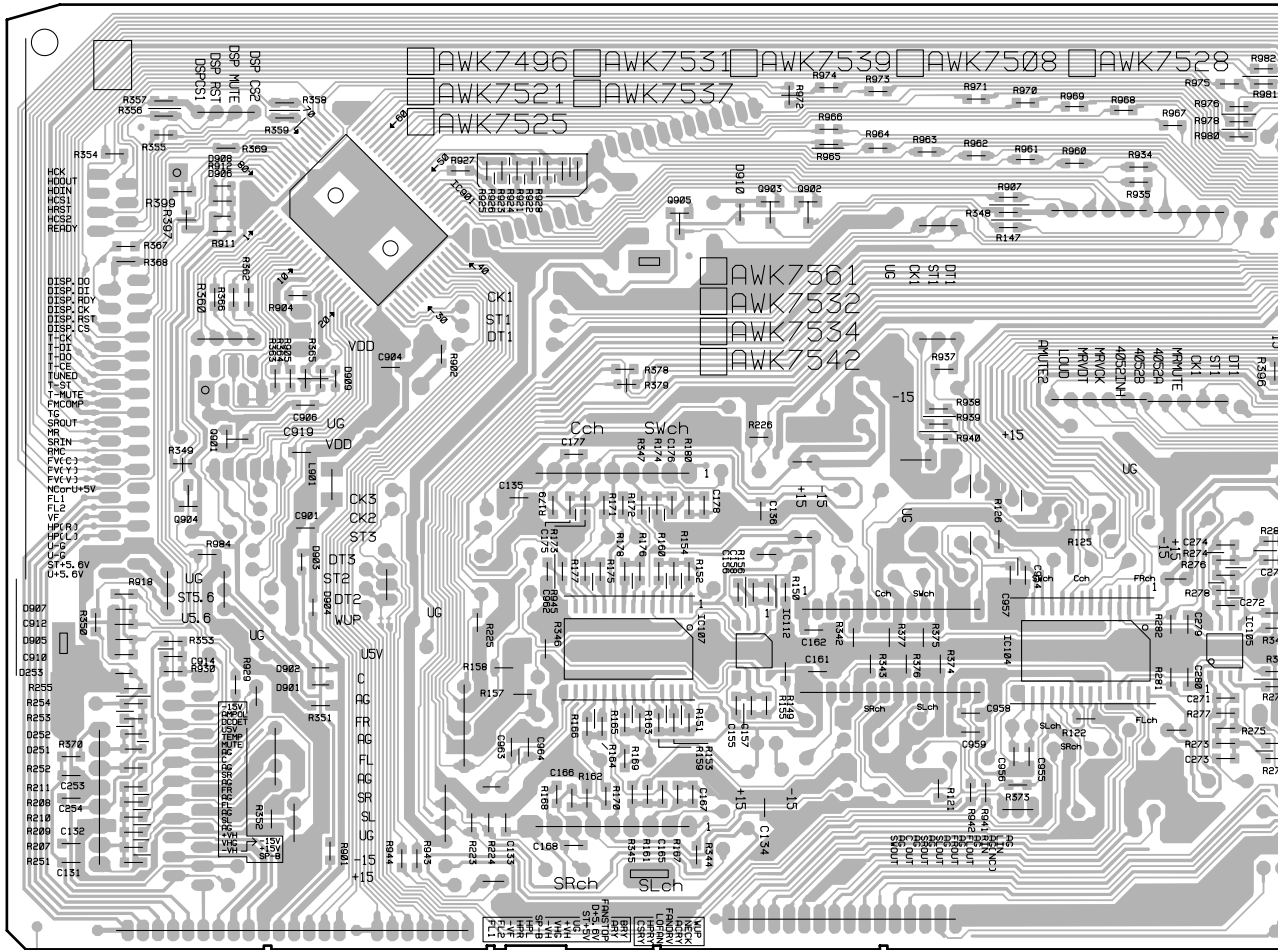
IC115

1 2 3 4

VSX-29TX, VSX-27TX, VSX-26TX, VSX-24TX, VSX-D908S

A

D MAIN CONTROL ASSY



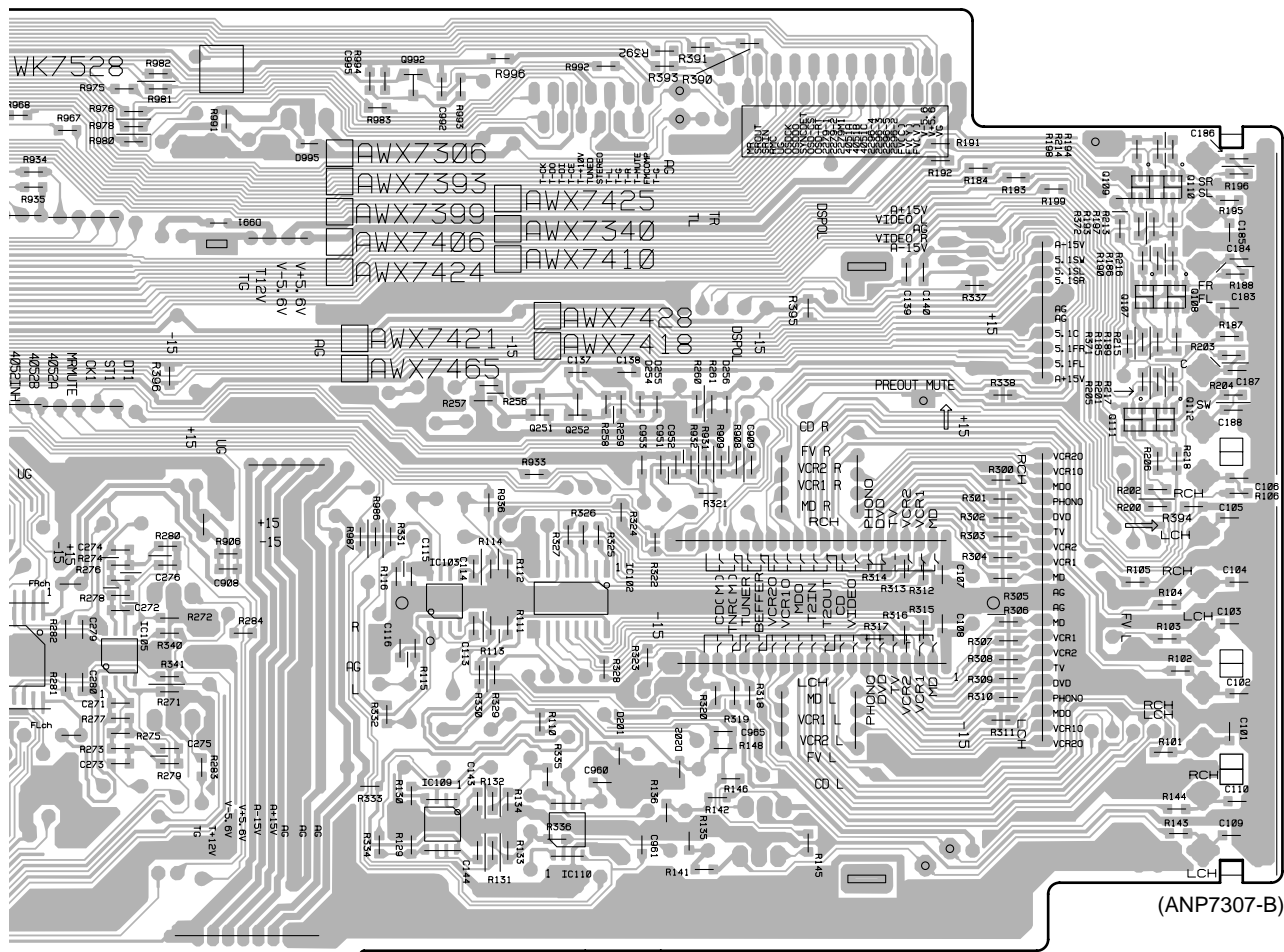
B

C

D

Q904 Q901 IC901 Q905 Q903 Q902 IC104 IC105
IC107 IC112

SIDE B



(ANP7307-B)

IC105

Q902 Q251 Q252
IC103 IC102
IC109 IC110

Q109 Q110
Q107 Q108
Q111 Q112

VSX-29TX, VSX-27TX, VSX-26TX, VSX-24TX, VSX-D908S

4.3 V-AMP ASSY

V-AMP ASSY

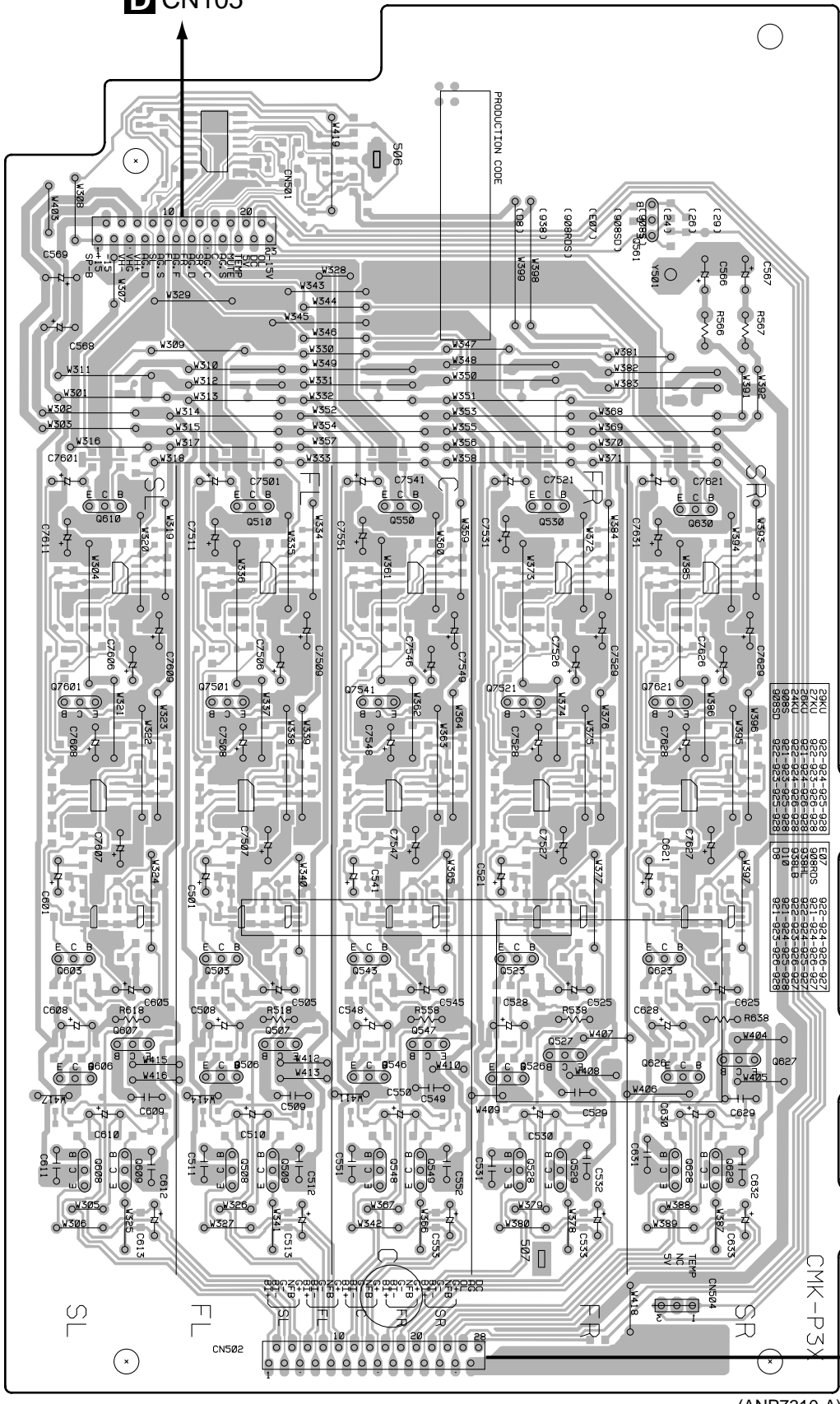
A

D CN105

B

C

D



Q561

Q610 Q510 Q550 Q530 Q630

Q7601 Q7501 Q7541 Q7521 Q7621

Q603 Q503 Q543 Q523 Q623

Q607 Q507 Q547 Q527 Q627
Q606 Q506 Q546 Q526 Q626

Q608 Q508 Q548 Q528 Q628
Q609 Q509 Q549 Q529 Q629

28K10	922-924-925-928	E07
28K11	922-924-926-927	908R05
28K12	922-924-928-929	908R06
28K13	922-924-929-930	908R07
28K14	922-924-930-931	908R08
28K15	922-924-931-932	908R09
28K16	922-924-932-933	908R10
28K17	922-924-933-934	908R11
28K18	922-924-934-935	908R12
28K19	922-924-935-936	908R13
28K20	922-924-936-937	908R14
28K21	922-924-937-938	908R15
28K22	922-924-938-939	908R16
28K23	922-924-939-940	908R17
28K24	922-924-940-941	908R18
28K25	922-924-941-942	908R19
28K26	922-924-942-943	908R20
28K27	922-924-943-944	908R21
28K28	922-924-944-945	908R22
28K29	922-924-945-946	908R23
28K30	922-924-946-947	908R24
28K31	922-924-947-948	908R25
28K32	922-924-948-949	908R26
28K33	922-924-949-950	908R27
28K34	922-924-950-951	908R28
28K35	922-924-951-952	908R29
28K36	922-924-952-953	908R30
28K37	922-924-953-954	908R31
28K38	922-924-954-955	908R32
28K39	922-924-955-956	908R33
28K40	922-924-956-957	908R34
28K41	922-924-957-958	908R35
28K42	922-924-958-959	908R36
28K43	922-924-959-960	908R37
28K44	922-924-960-961	908R38
28K45	922-924-961-962	908R39
28K46	922-924-962-963	908R40
28K47	922-924-963-964	908R41
28K48	922-924-964-965	908R42
28K49	922-924-965-966	908R43
28K50	922-924-966-967	908R44
28K51	922-924-967-968	908R45
28K52	922-924-968-969	908R46
28K53	922-924-969-970	908R47
28K54	922-924-970-971	908R48
28K55	922-924-971-972	908R49
28K56	922-924-972-973	908R50
28K57	922-924-973-974	908R51
28K58	922-924-974-975	908R52
28K59	922-924-975-976	908R53
28K60	922-924-976-977	908R54
28K61	922-924-977-978	908R55
28K62	922-924-978-979	908R56
28K63	922-924-979-980	908R57
28K64	922-924-980-981	908R58
28K65	922-924-981-982	908R59
28K66	922-924-982-983	908R60
28K67	922-924-983-984	908R61
28K68	922-924-984-985	908R62
28K69	922-924-985-986	908R63
28K70	922-924-986-987	908R64
28K71	922-924-987-988	908R65
28K72	922-924-988-989	908R66
28K73	922-924-989-990	908R67
28K74	922-924-990-991	908R68
28K75	922-924-991-992	908R69
28K76	922-924-992-993	908R70
28K77	922-924-993-994	908R71
28K78	922-924-994-995	908R72
28K79	922-924-995-996	908R73
28K80	922-924-996-997	908R74
28K81	922-924-997-998	908R75
28K82	922-924-998-999	908R76
28K83	922-924-999-1000	908R77
28K84	922-924-1000-1001	908R78
28K85	922-924-1001-1002	908R79
28K86	922-924-1002-1003	908R80
28K87	922-924-1003-1004	908R81
28K88	922-924-1004-1005	908R82
28K89	922-924-1005-1006	908R83
28K90	922-924-1006-1007	908R84
28K91	922-924-1007-1008	908R85
28K92	922-924-1008-1009	908R86
28K93	922-924-1009-1010	908R87
28K94	922-924-1010-1011	908R88
28K95	922-924-1011-1012	908R89
28K96	922-924-1012-1013	908R90
28K97	922-924-1013-1014	908R91
28K98	922-924-1014-1015	908R92
28K99	922-924-1015-1016	908R93
28K100	922-924-1016-1017	908R94

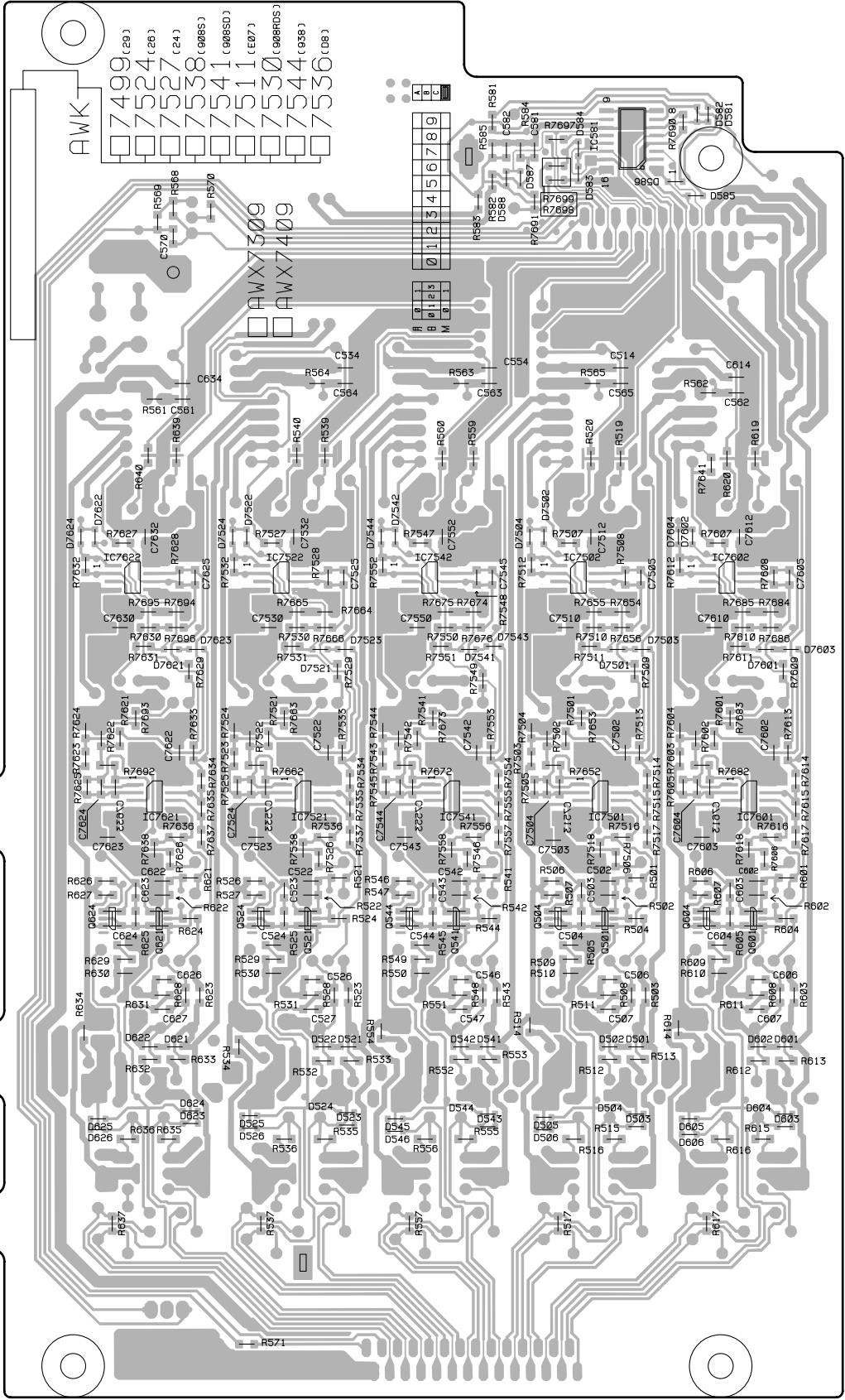
1

2

3

4

E V-AMP ASSY



IC581

IC7622 IC7522 IC7542 IC7502 IC7602

IC7621 IC7521 IC7541 IC7501 IC7601

Q624 Q524 Q544 Q504 Q604
Q621 Q521 Q541 Q501 Q601

(ANP7310-A)

SIDE B

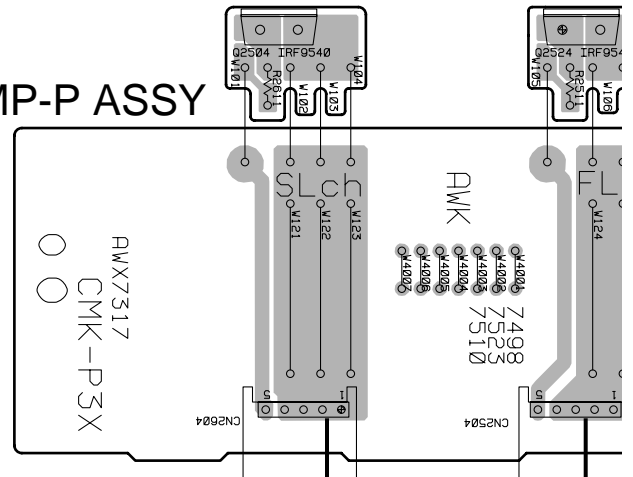


1 VSX-29TX, VSX-27TX, VSX-26TX,
2 VSX-24TX, VSX-D908S

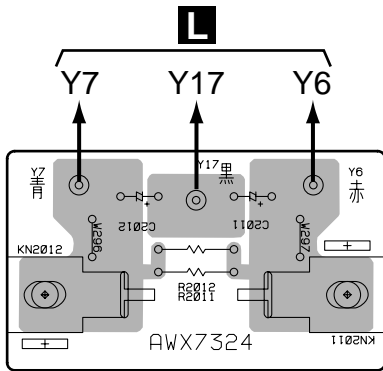
3 4
4.4 C-AMP-N, C-AMP-P, OUTPUT-SL, OUTPUT-FL, OUTPUT-C, OUTPUT-FR,
OUTPUT-SR and VL-TERMINAL ASSYS

A

G C-AMP-P ASSY

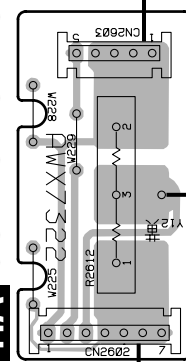


B

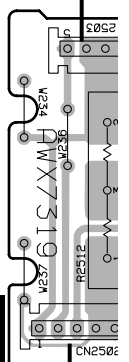


I VL-TERMINAL ASSY

HA OUTPUT-SL ASSY

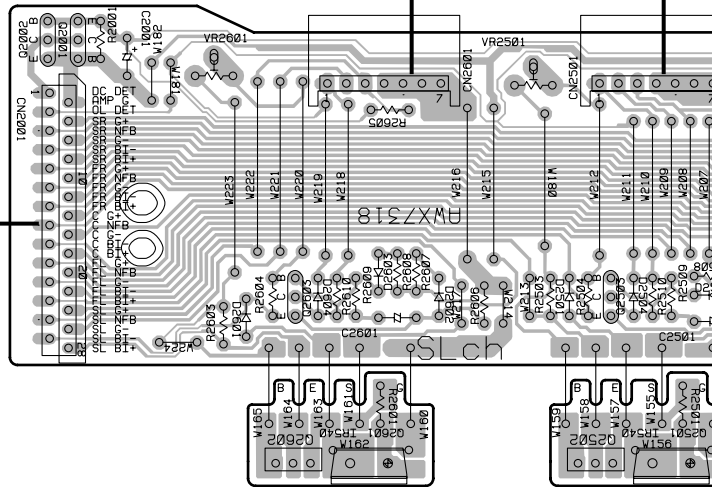


HB OUTPUT-FL ASSY



C

F C-AMP-N ASSY



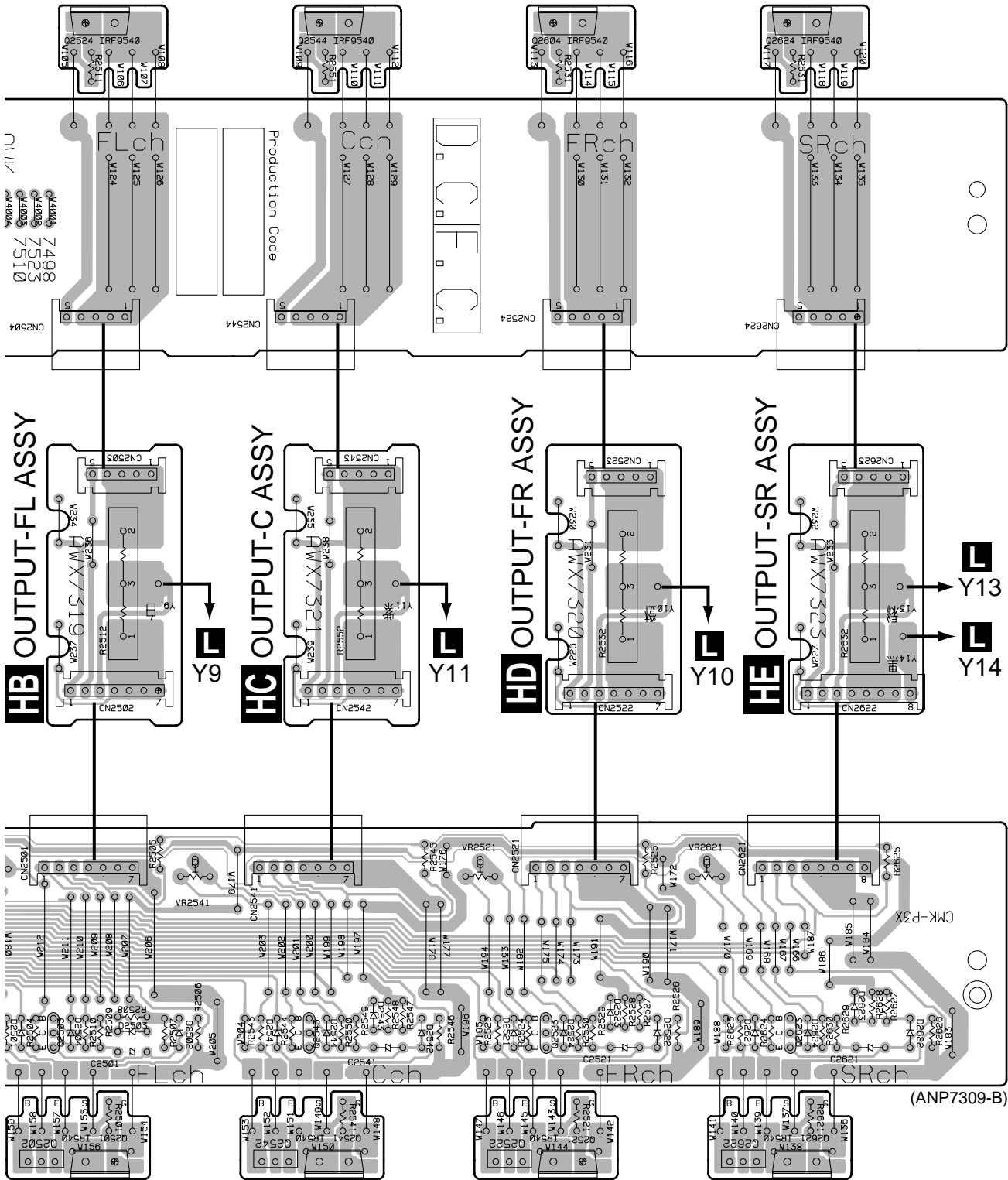
E CN502

D

SIDE A

Q2002	Q2001	VR2601	VR2501	Q2503	Q2502
		Q2603	Q2602		

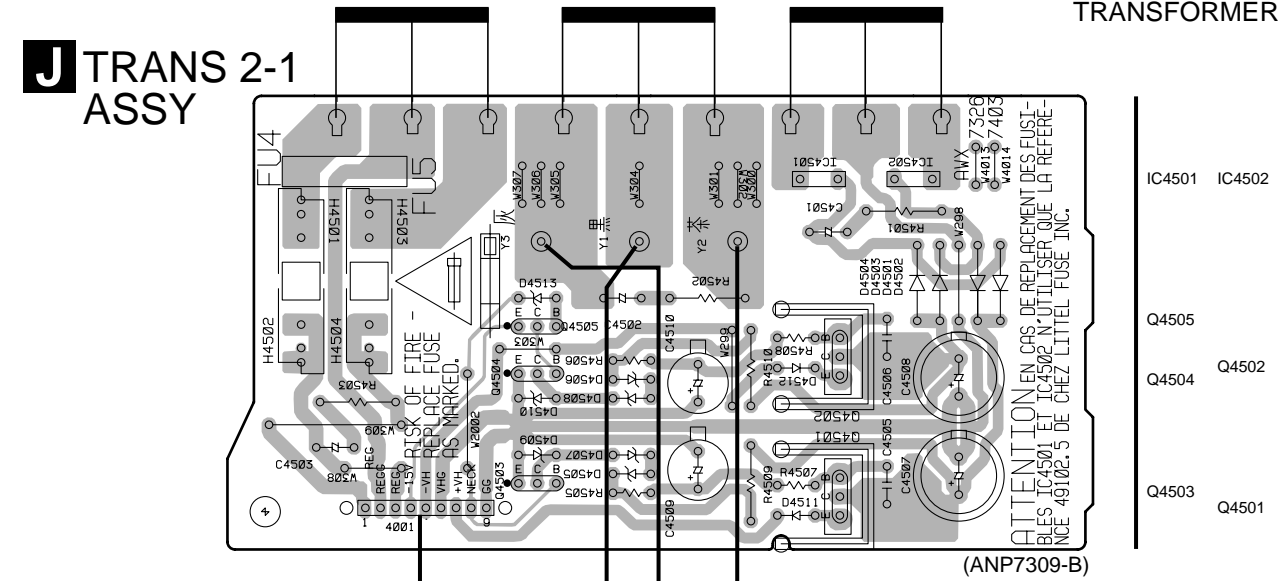
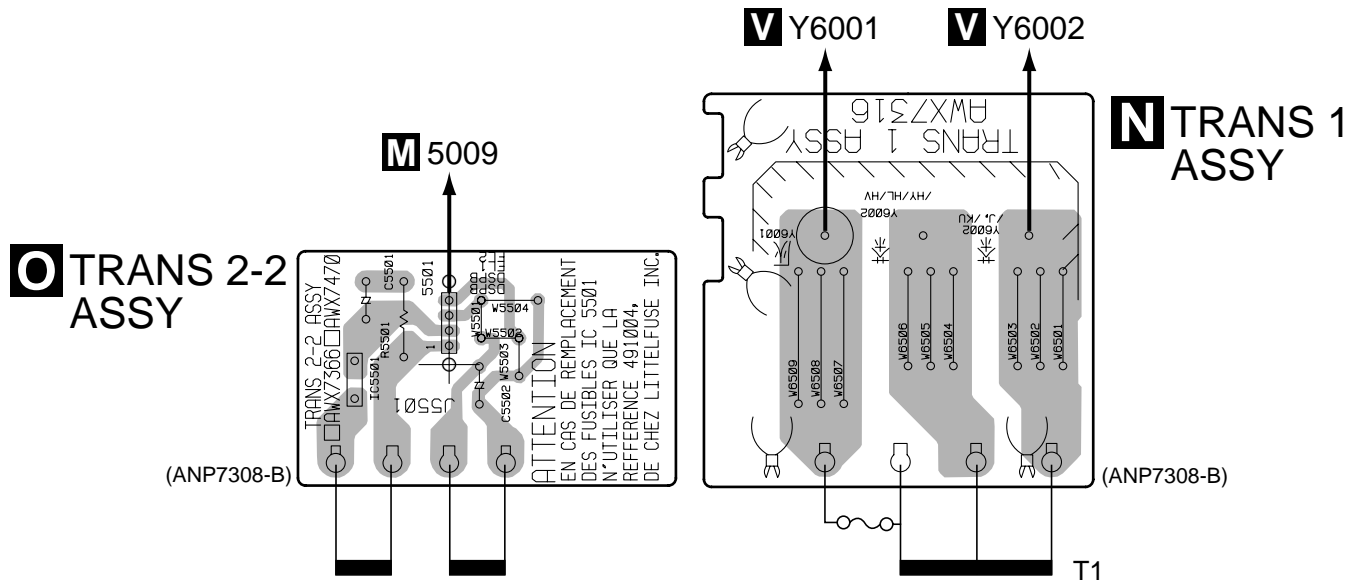




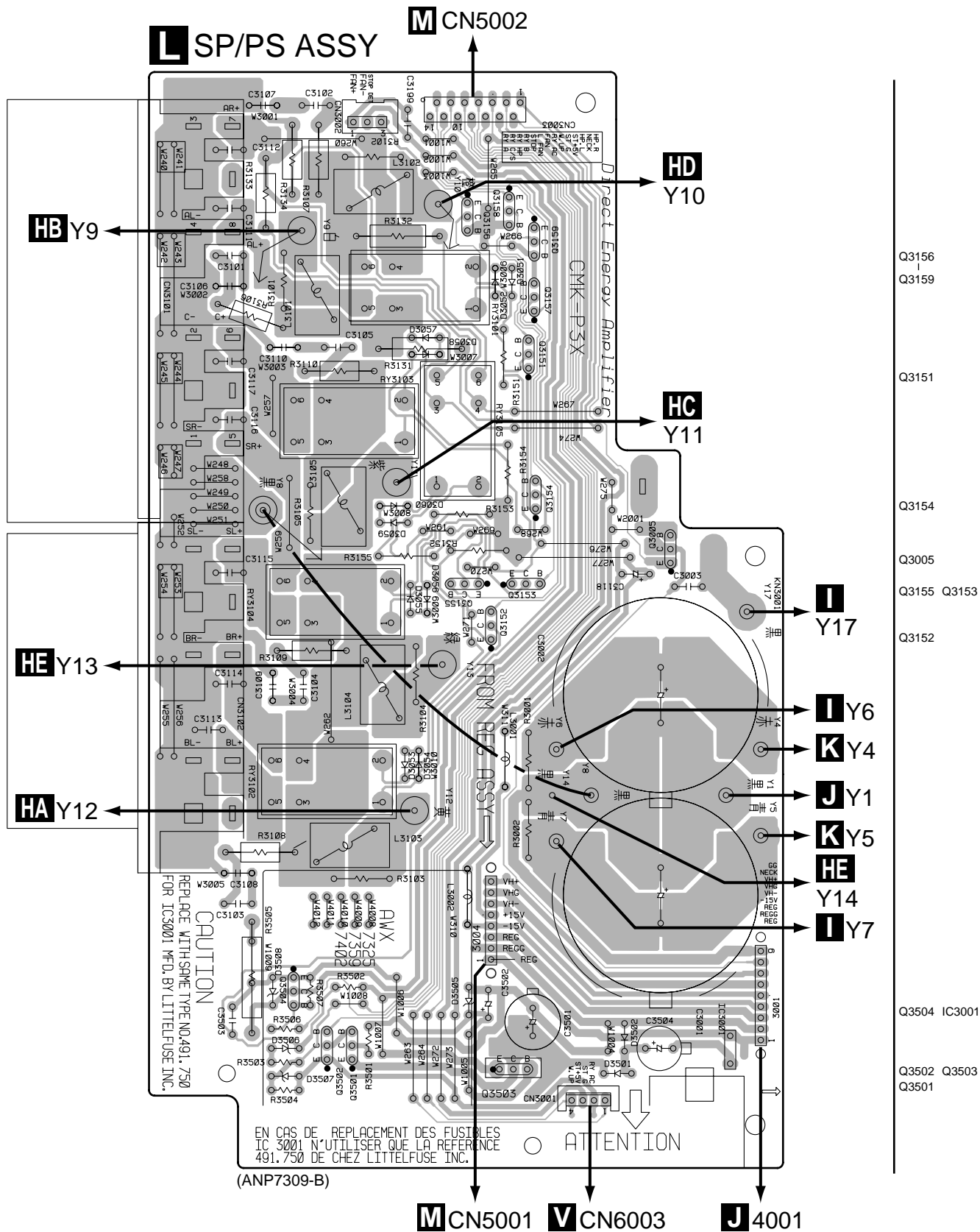
2501	VR2541	VR2521	VR2621
Q2503 Q2502	Q2543 Q2542	Q2523 Q2522	Q2623 Q2622

1 VSX-29TX, VSX-27TX, VSX-26TX,
2 VSX-24TX, VSX-D908S 3 4

4.5 TRANS 2-1, DIODE, TRANS 1 and TRANS 2-2 ASSYS



4.6 SP/PS ASSY



SIDE A

1 2 3 4

VSX-29TX, VSX-27TX, VSX-26TX, VSX-24TX, VSX-D908S

4.7 REGULATOR and PRIMARY ASSYS

A

B

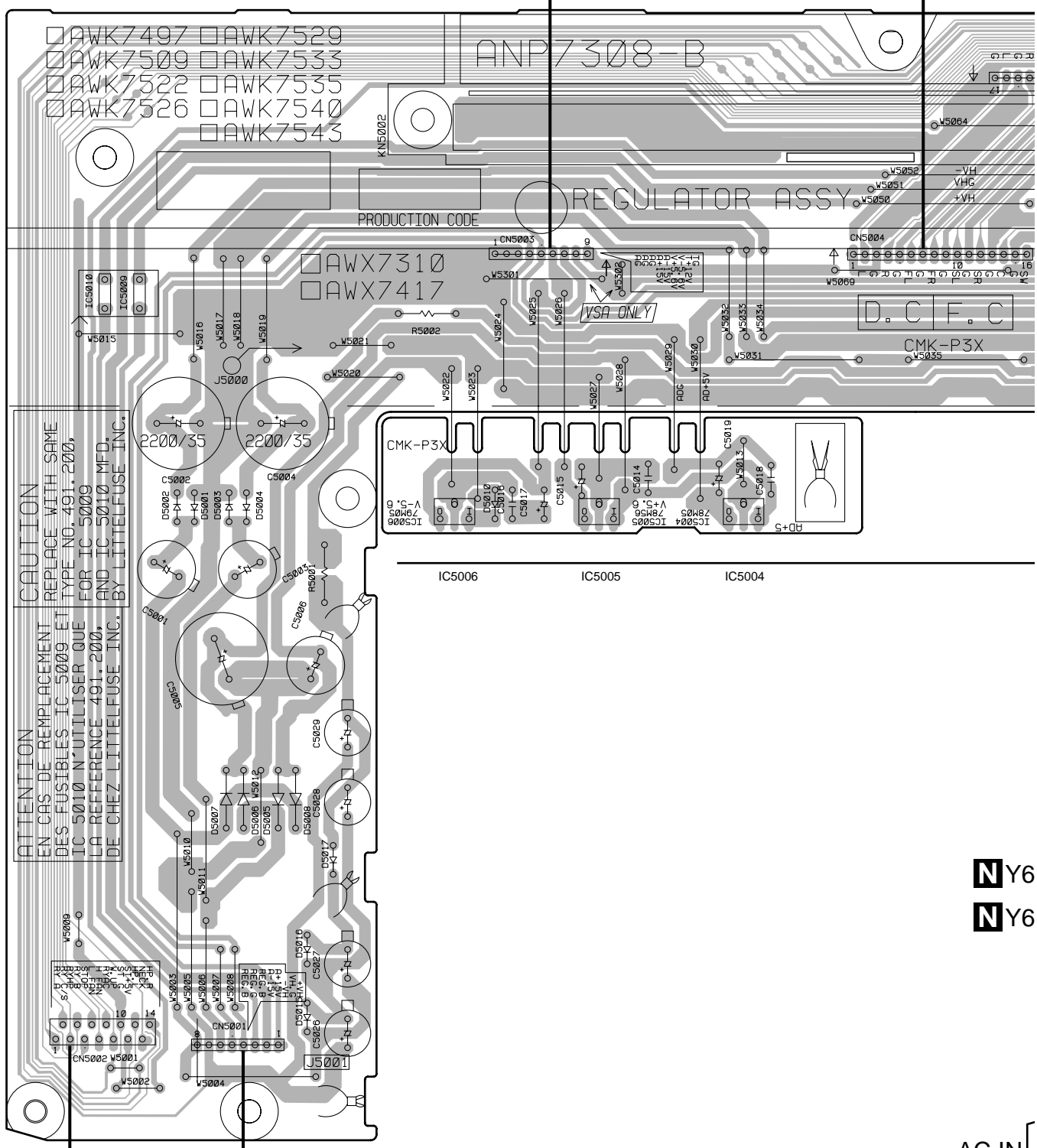
C

D

M REGULATOR ASSY

D CN108

D CN104



L CN3003

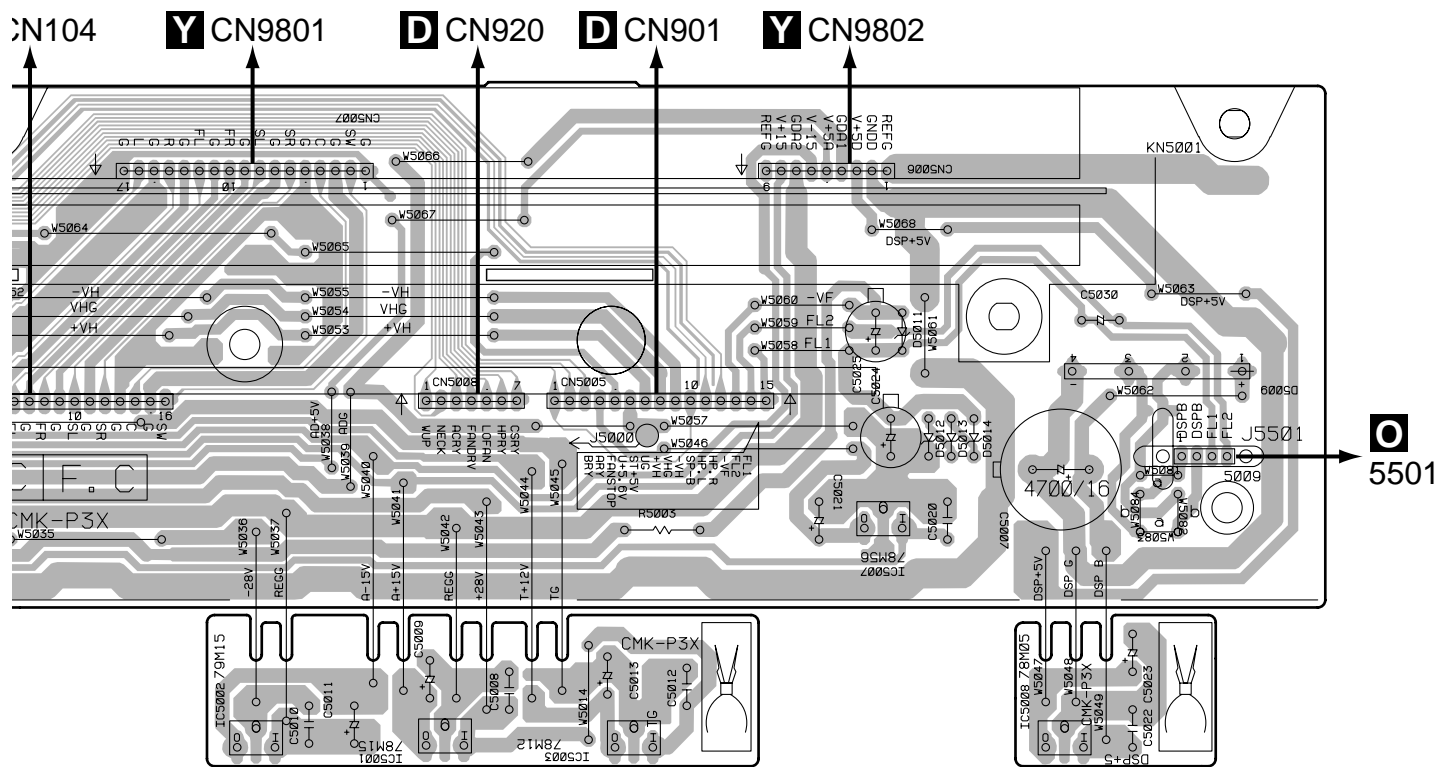
L 3004

N Y6
 N Y6



SIDE A

VSX-29TX, VSX-27TX, VSX-26TX, VSX-24TX, VSX-D908S



IC5002

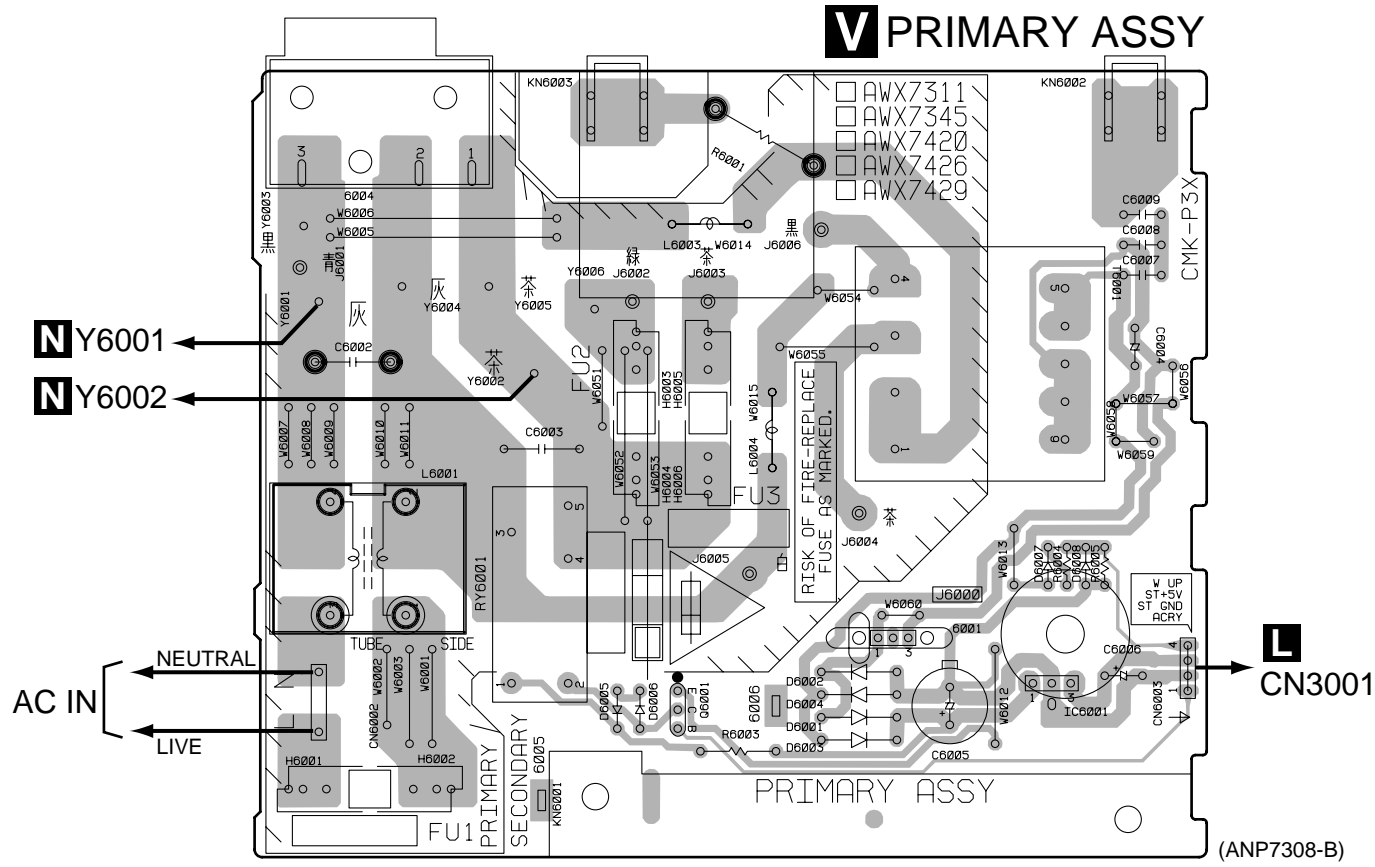
IC5001

IC5003

IC5007

IC5008

V PRIMARY ASSY



N Y6001

N Y6002

L CN3001

PRIMARY ASSY

(ANP7308-B)

Q6001

IC6001

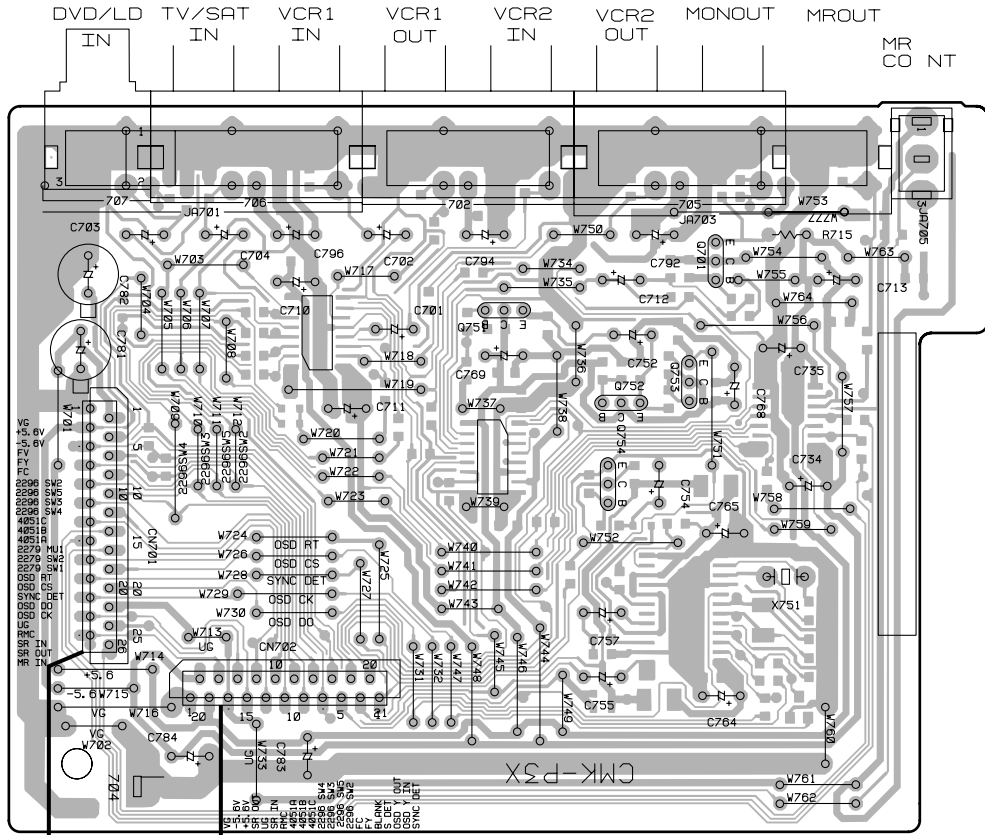


1 2 3 4

VSX-29TX, VSX-27TX, VSX-26TX, VSX-24TX, VSX-D908S

4.8 VIDEO ASSY

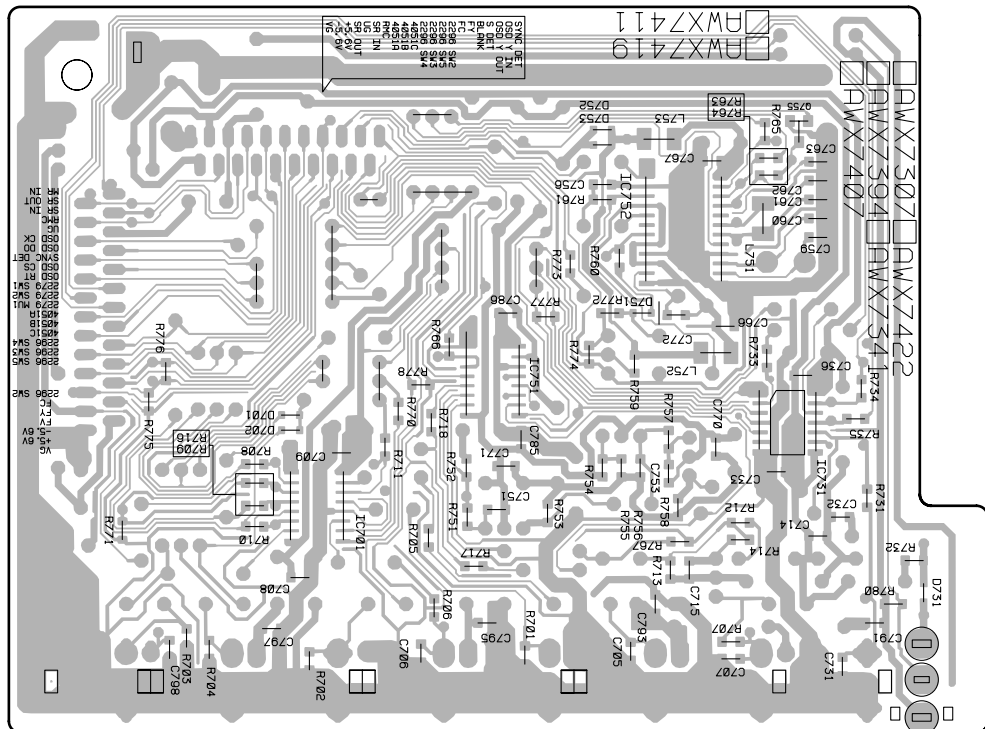
P VIDEO ASSY



Q701
Q751
Q753
Q752
Q754

D CN905 **Q** CN804

P VIDEO ASSY



Q755
IC752
IC751
IC731
IC701

(ANP7307-B)

SIDE A

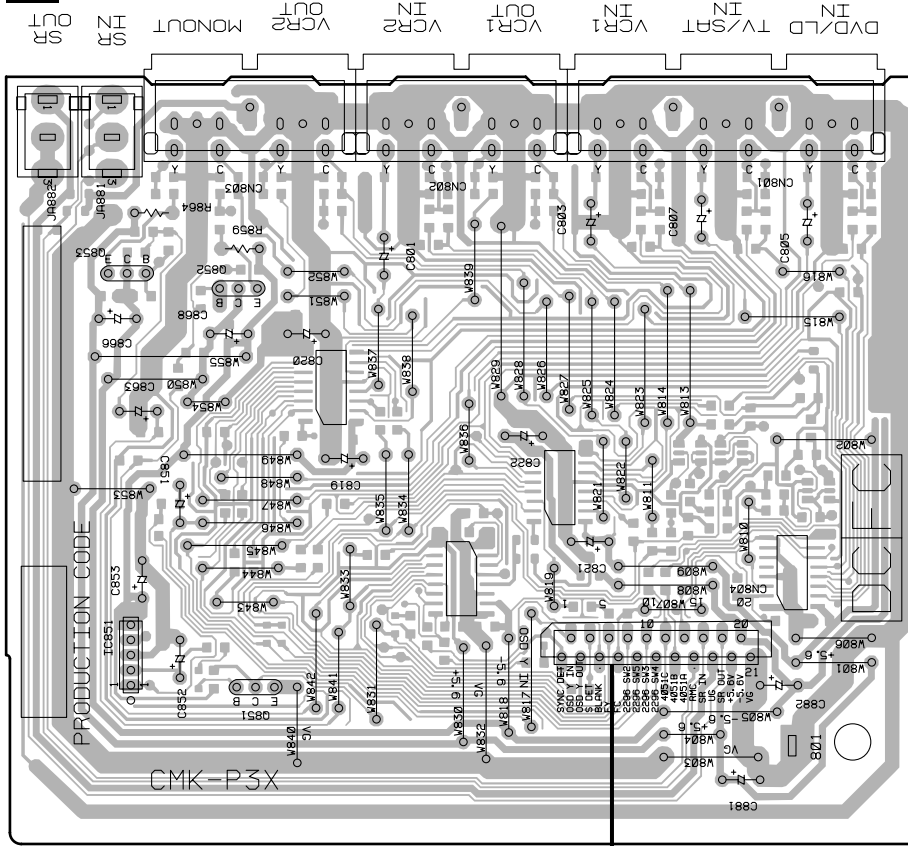
SIDE B

P

**VSX-29TX, VSX-27TX, VSX-26TX,
VSX-24TX, VSX-D908S**

4.9 S-VIDEO ASSY

Q S-VIDEO ASSY

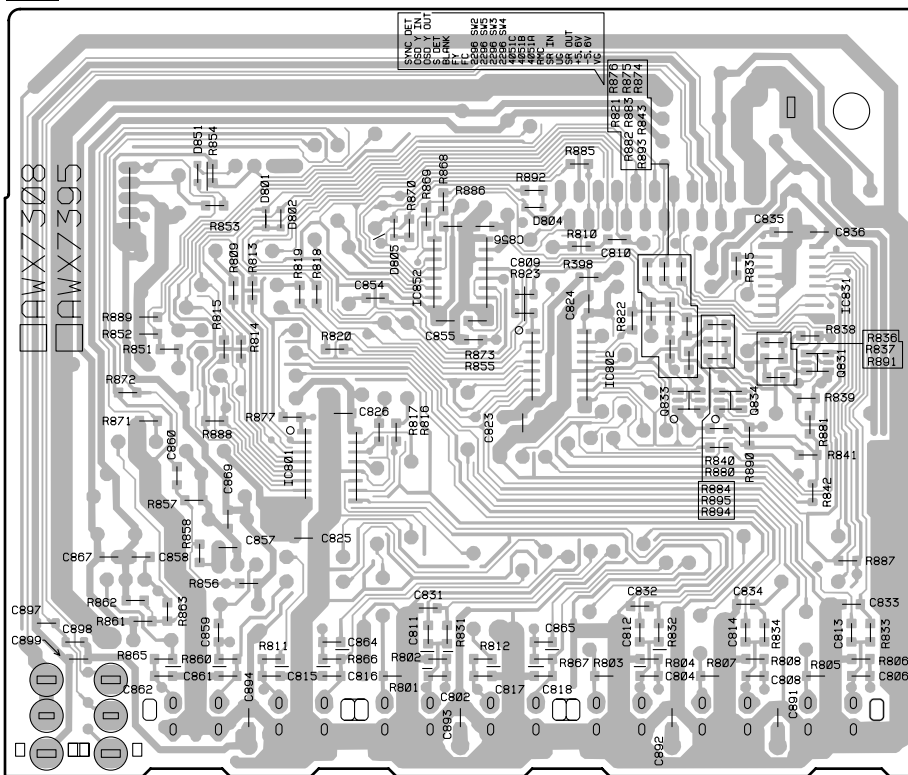


Q853 Q852

IC851 Q851

SIDE A

Q S-VIDEO ASSY



IC852 IC831

IC802 Q831

Q833 Q834

IC801

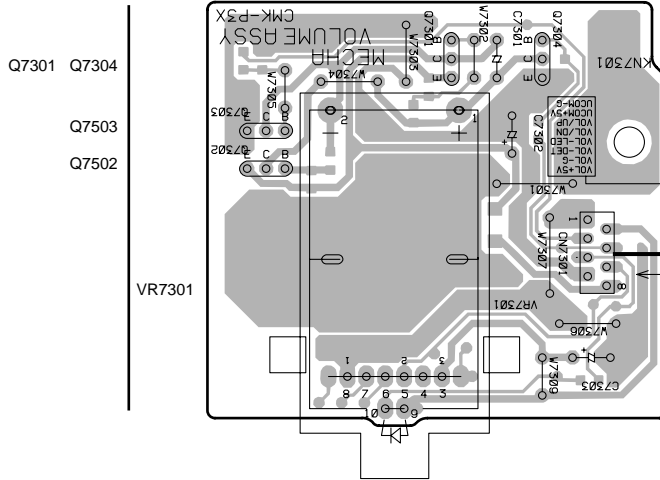
SIDE B



4.10 H. PHONE/F. VIDEO, DISPLAY, ROTARY ENCODER and VOLUME ASSYS

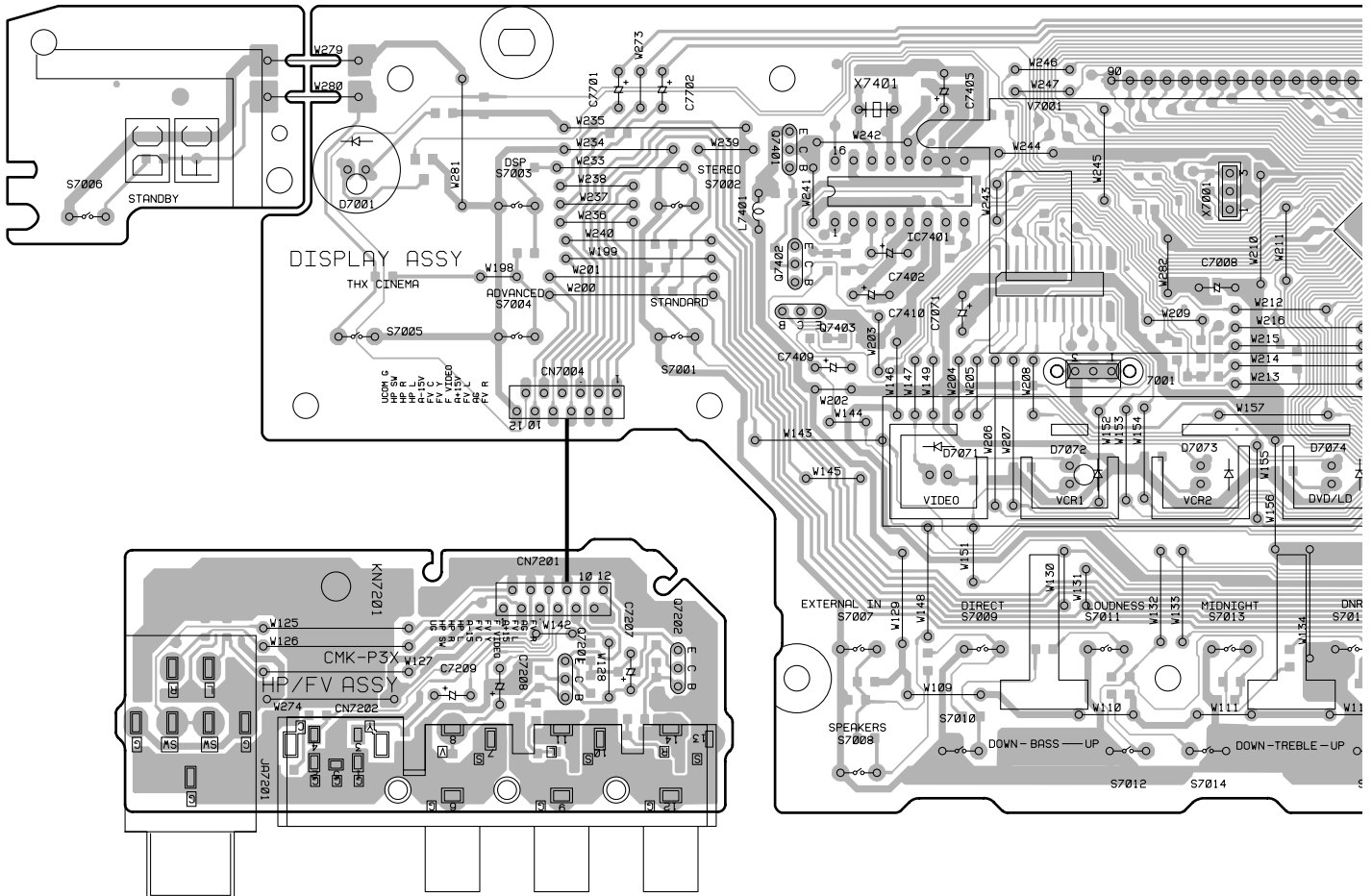
A

U VOLUME ASSY



B

S DISPLAY ASSY



C

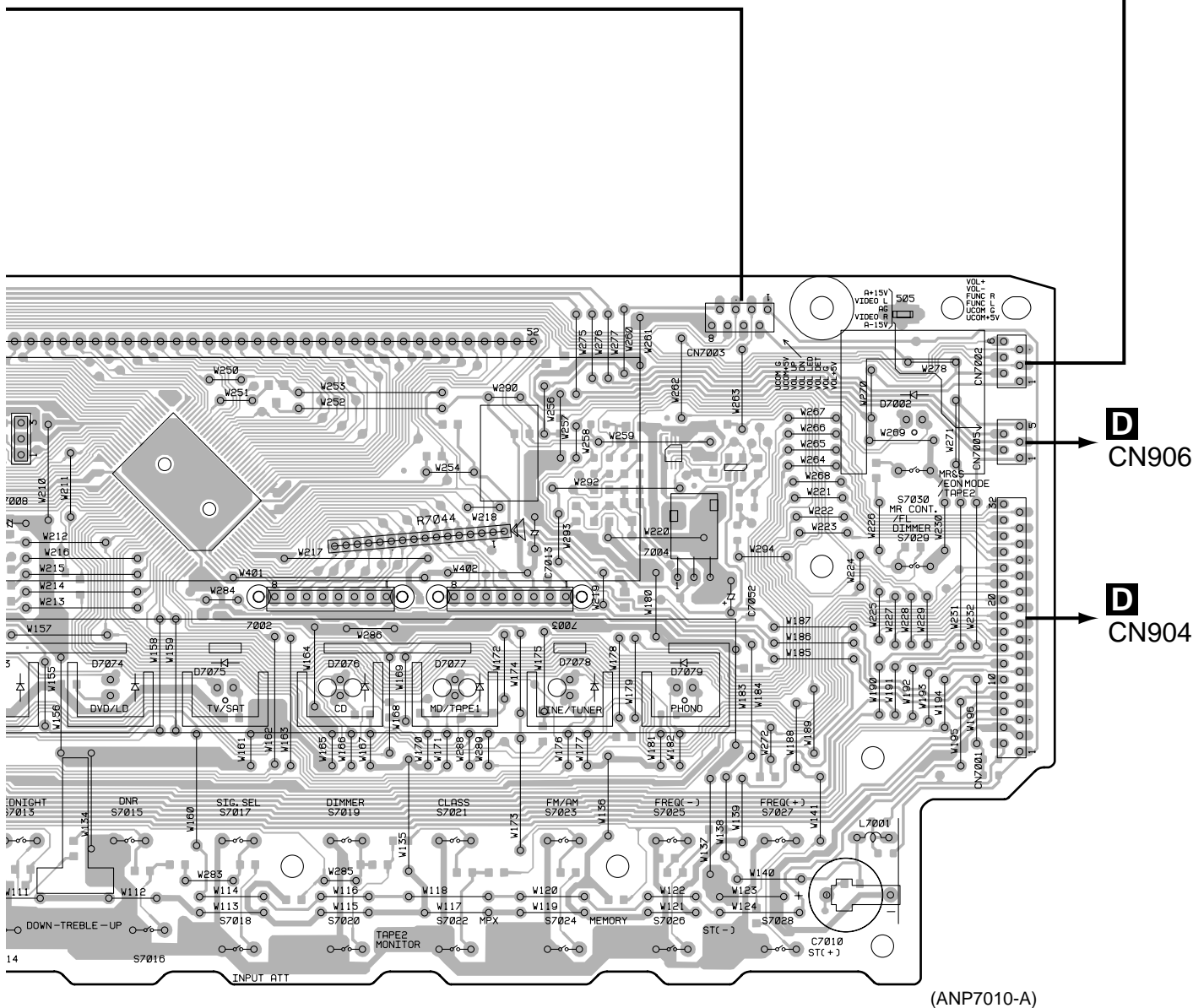
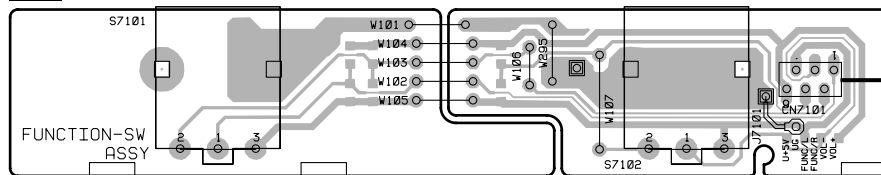
D

R H. PHONE/F. VIDEO ASSY

Q7201 Q7202 Q7401 IC7401 Q7403

VSX-29TX, VSX-27TX, VSX-26TX, VSX-24TX, VSX-D908S

T ROTARY ENCODER ASSY

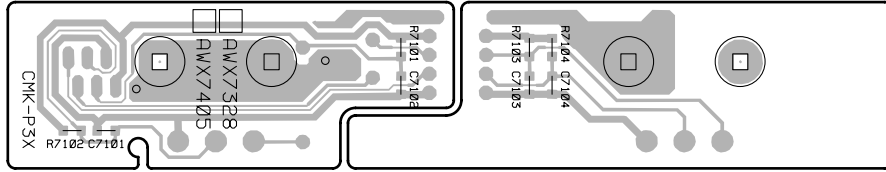


(ANP7010-A)

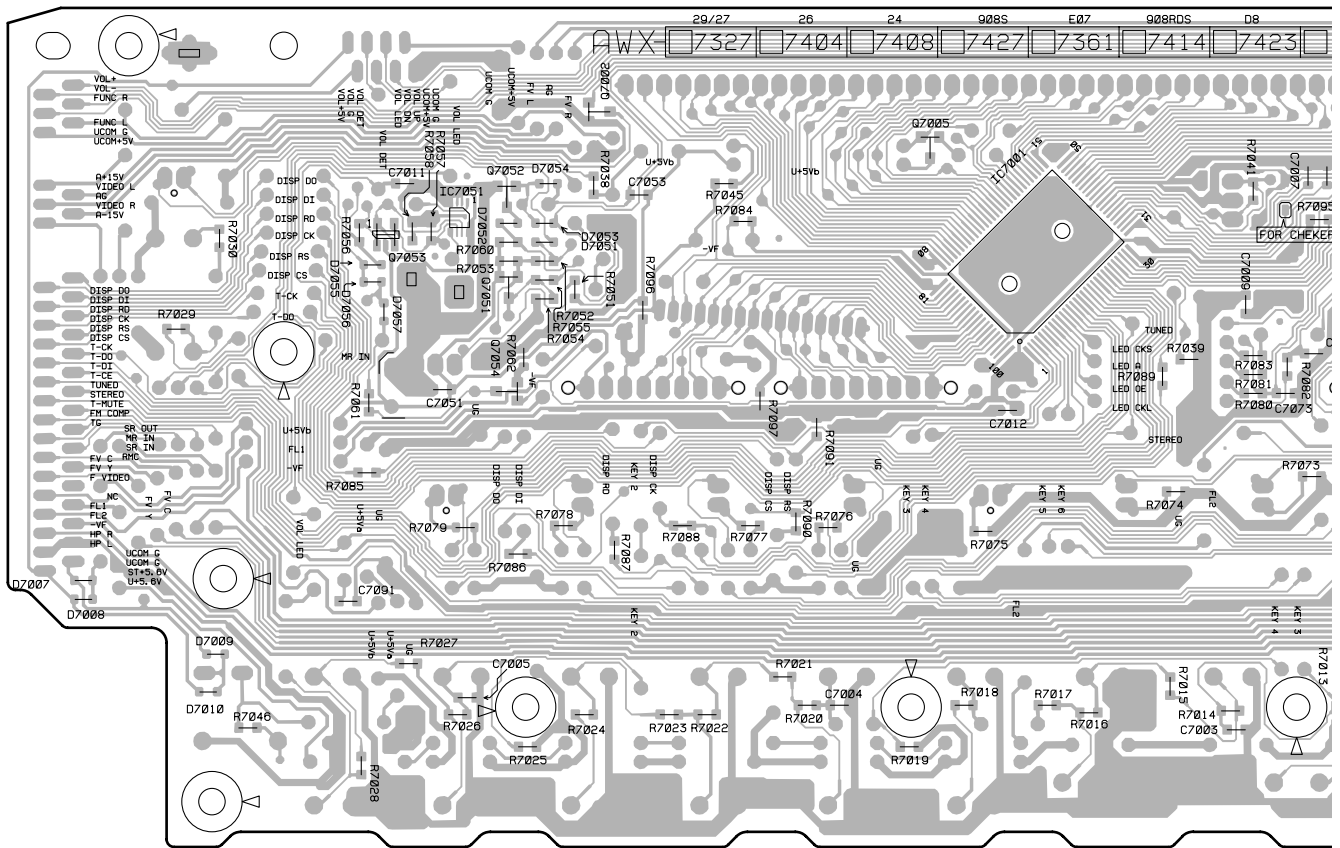
1 2 3 4

VSX-29TX, VSX-27TX, VSX-26TX, VSX-24TX, VSX-D908S

T ROTARY ENCODER ASSY



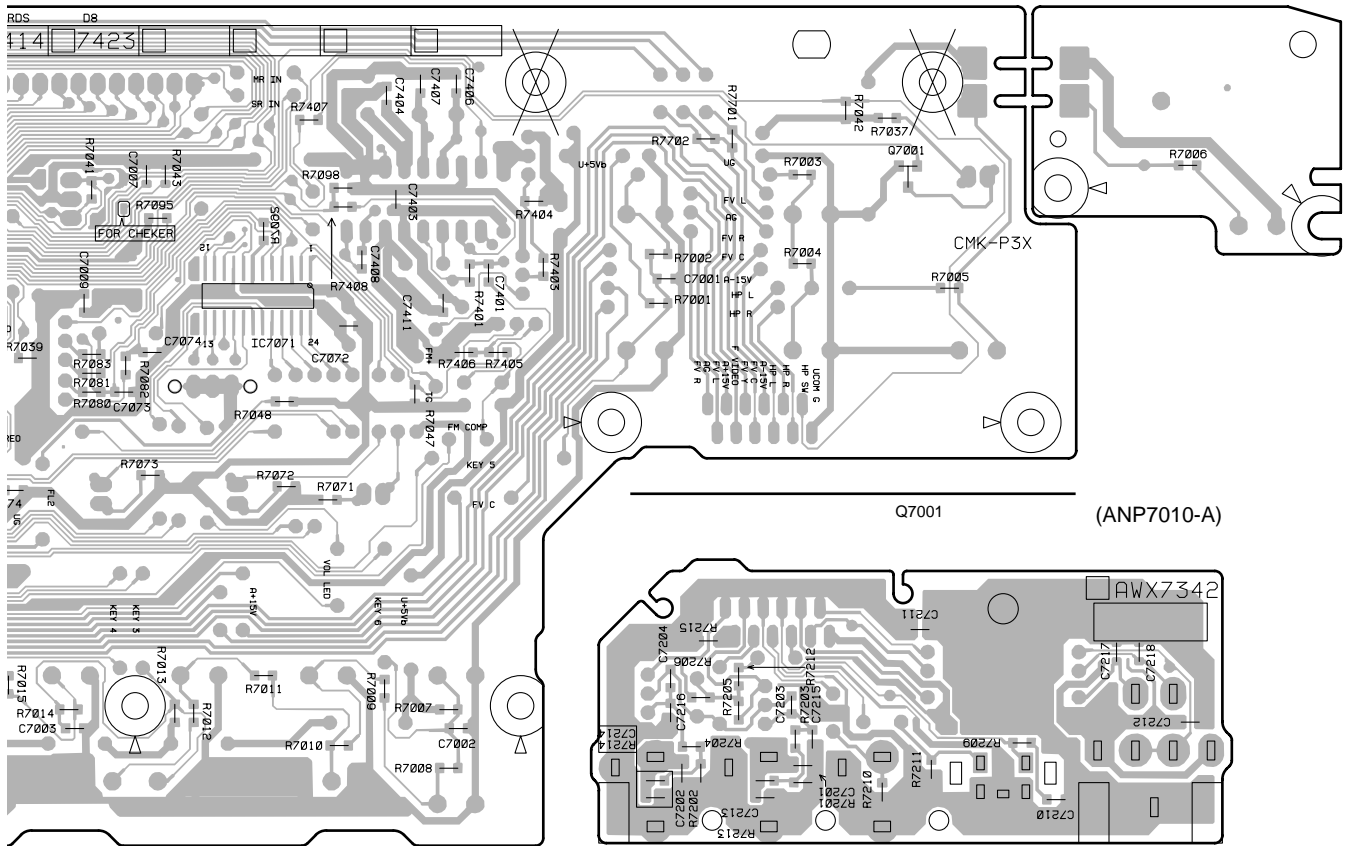
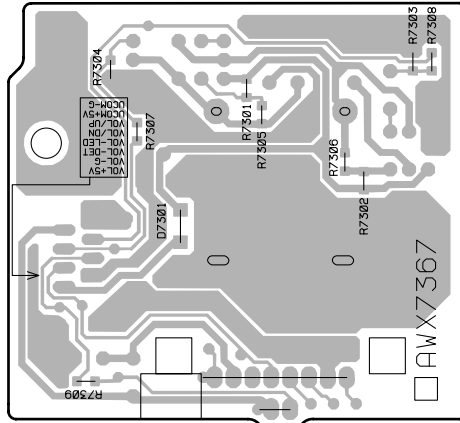
S DISPLAY ASSY



Q7053 Q7052 Q7002 Q7005 IC7001
IC7051
Q7051 Q7054

VSX-29TX, VSX-27TX, VSX-26TX, VSX-24TX, VSX-D908S

U VOLUME ASSY



R H. PHONE/F. VIDEO ASSY

IC7071

SIDE B

R S U

VSX-29TX, VSX-27TX, VSX-26TX, VSX-24TX, VSX-D908S

4.11 DSP ASSY

W CN1201 **X** CN1250 **Y** DSP ASSY

A

IC9151 Q9001-Q9003
Q9032 Q9004-Q9007

Q9101-Q9104

IC9071 IC9091

IC9101

Q9201-Q9204

IC9102 IC9204
IC9501 IC9203

B

IC9103

IC9401 IC9601
IC9311 IC9321

IC9361 IC9411 IC9601

C

Q9603

IC9371 IC9421

IC9372

Q9605
Q9606

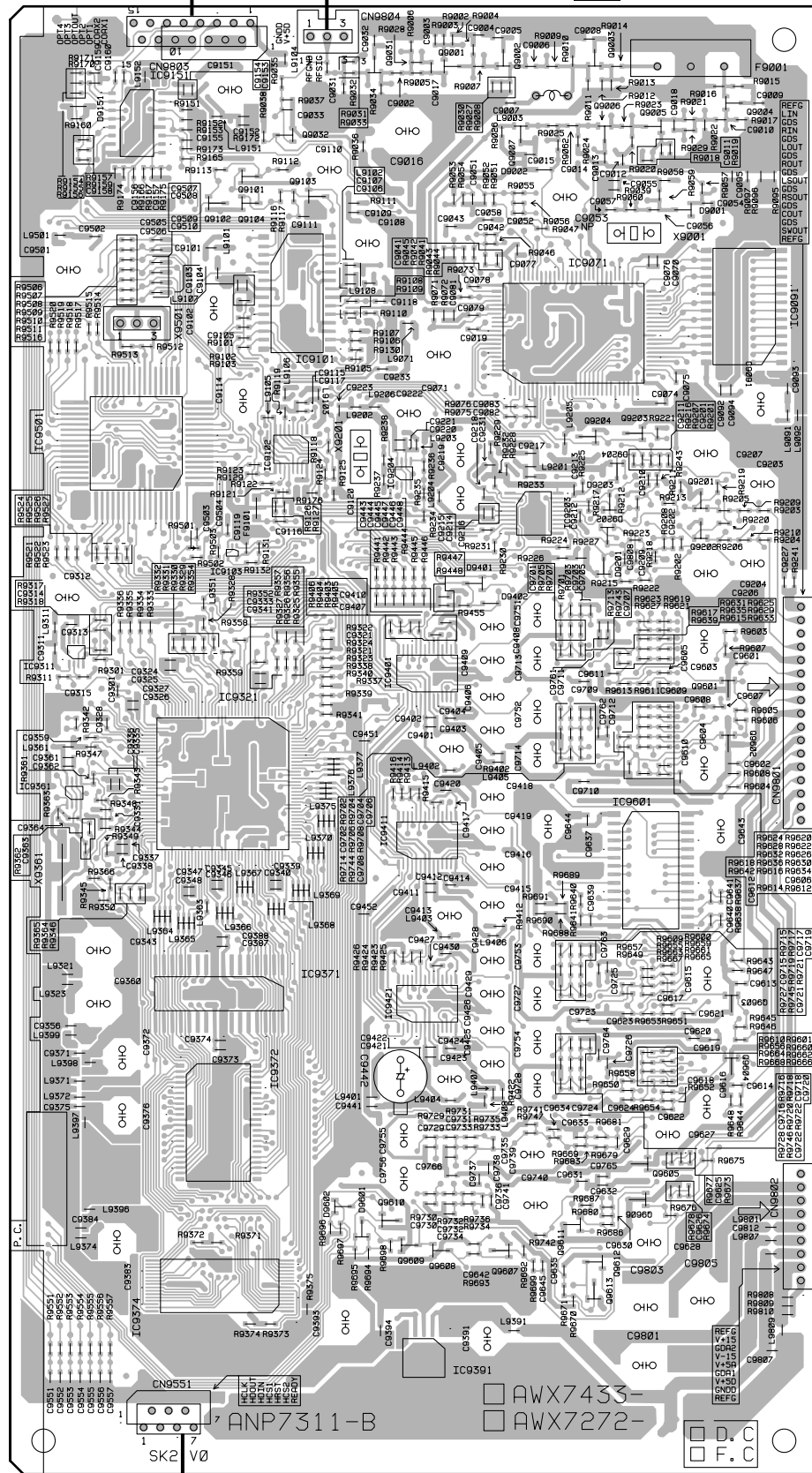
Q9811-Q9813

Q9609 Q9608

IC9374

D

IC9391



M CN5007

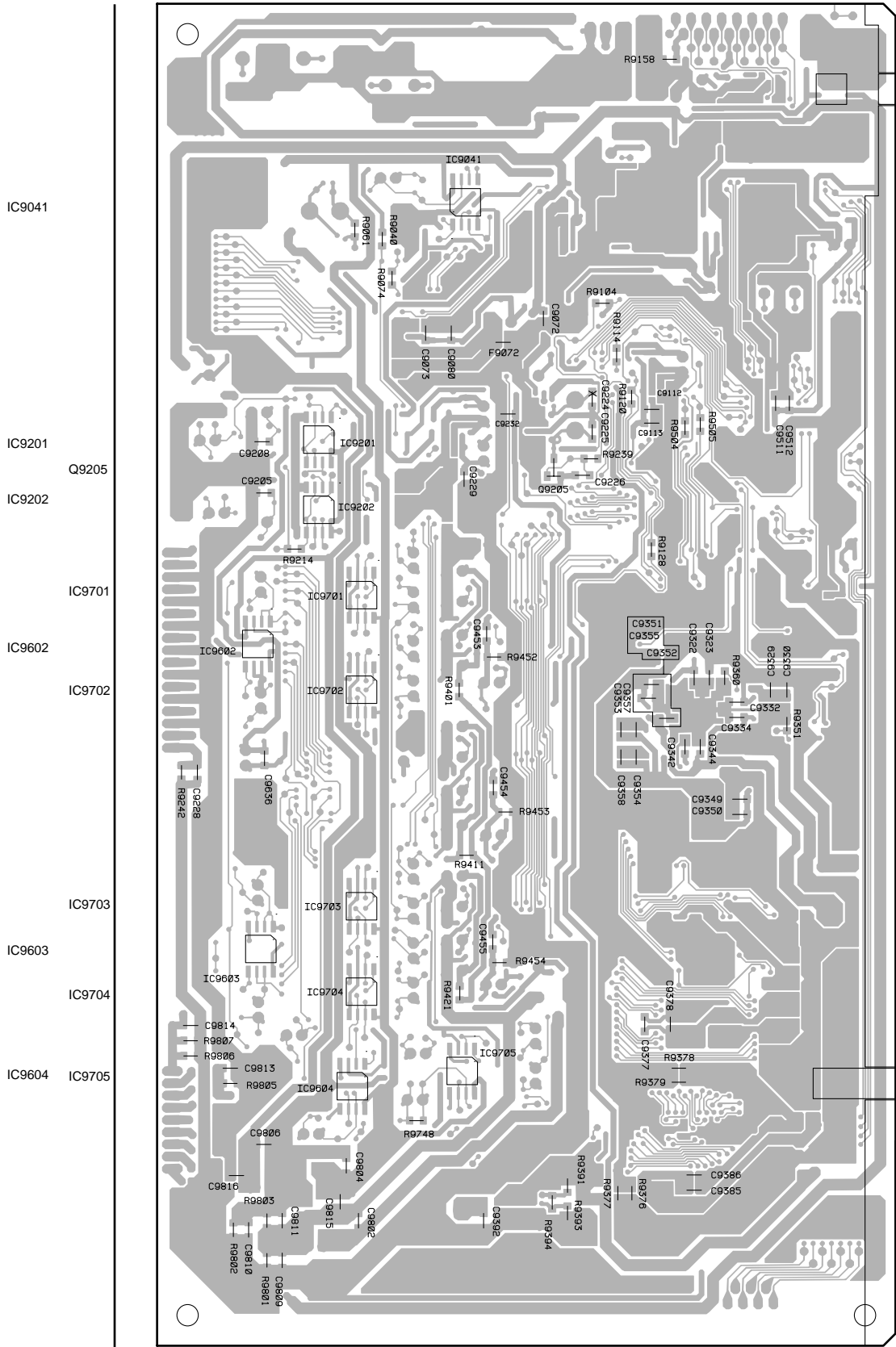
M CN5006

D CN903



SIDE A

Y DSP ASSY



IC9041
IC9201
Q9205
IC9202
IC9701
IC9602
IC9702
IC9703
IC9603
IC9704
IC9604 IC9705

(ANP7311-B)

SIDE B

Y

5. PCB PARTS LIST

NOTES: ● The Δ mark found on some component parts indicates the importance of the safety factor of the part. Therefore, when replacing, be sure to use parts of identical designation.

● When ordering resistors, first convert resistance values into code form as shown in the following examples.

Ex.1 When there are 2 effective digits (any digit apart from 0), such as 560 ohm and 47k ohm (tolerance is shown by J=5%, and K=10%).

560 Ω \rightarrow 56×10^1 \rightarrow 561 RD1/4PU $\begin{matrix} \boxed{5} & \boxed{6} & \boxed{1} & J \end{matrix}$
 47k Ω \rightarrow 47×10^3 \rightarrow 473 RD1/4PU $\begin{matrix} \boxed{4} & \boxed{7} & \boxed{3} & J \end{matrix}$
 0.5 Ω \rightarrow R50 RN2H $\begin{matrix} \boxed{R} & \boxed{5} & \boxed{0} & K \end{matrix}$
 1 Ω \rightarrow 1R0 RS1P $\begin{matrix} \boxed{1} & \boxed{R} & \boxed{0} & K \end{matrix}$

Ex.2 When there are 3 effective digits (such as in high precision metal film resistors).

5.62k Ω \rightarrow 562×10^1 \rightarrow 5621 RN1/4PC $\begin{matrix} \boxed{5} & \boxed{6} & \boxed{2} & \boxed{1} & F \end{matrix}$

■ LIST OF WHOLE PCB ASSEMBLIES

Mark	Symbol and Description	Part No.					Remarks
		VSX-29TX	VSX-27TX	VSX-26TX	VSX-24TX	VSX-D908S	
NSP	MAIN ASSY	AWK7496	AWK7521	AWK7525	AWK7531	AWK7537	
	└ MAIN CONTROL ASSY	AWX7306	AWX7393	AWX7399	AWX7406	AWX7424	
	└ VIDEO ASSY	AWX7307	AWX7394	AWX7394	AWX7407	AWX7394	
	└ S-VIDEO ASSY	AWX7308	AWX7395	AWX7395	AWX7395	AWX7395	
	└ DIGITAL-I/O ASSY	AWX7315	AWX7396	AWX7396	AWX7396	AWX7396	
NSP	└ RF TERMINAL ASSY	AWX7376	AWX7376	Not used	Not used	Not used	
NSP	COMPLEX ASSY	AWK7497	AWK7522	AWK7522	AWK7526	AWK7522	
	└ REGULATOR ASSY	AWX7310	AWX7310	AWX7310	AWX7310	AWX7310	
	└ PRIMARY ASSY	AWX7311	AWX7311	AWX7311	AWX7311	AWX7311	
NSP	└ A-PINJACK ASSY	AWX7312	AWX7397	AWX7397	AWX7401	AWX7397	
	└ CONNECTION ASSY	AWX7313	AWX7313	AWX7313	AWX7313	AWX7313	
NSP	└ EXTRA-5.1 ASSY	AWX7314	Not used	Not used	Not used	Not used	
NSP	└ EXTERNAL IN ASSY	Not used	AWX7398	AWX7398	AWX7398	AWX7398	
	└ TRANS 2-2 ASSY	AWX7366	AWX7366	AWX7366	AWX7366	AWX7366	
	└ TRANS 1 ASSY	AWX7316	AWX7316	AWX7316	AWX7316	AWX7316	
NSP	FRONT/VAMP ASSY	AWK7499	AWK7499	AWK7524	AWK7527	AWK7538	
	└ V-AMP ASSY	AWX7309	AWX7309	AWX7309	AWX7409	AWX7409	
	└ DISPLAY ASSY	AWX7327	AWX7327	AWX7404	AWX7408	AWX7427	
NSP	└ ROTARY ENCODER ASSY	AWX7328	AWX7328	AWX7405	AWX7405	AWX7405	
	└ H. PHONE/F. VIDEO ASSY	AWX7342	AWX7342	AWX7342	AWX7342	AWX7342	
	└ VOLUME ASSY	AWX7367	AWX7367	Not used	Not used	Not used	
NSP	POWER/CURRENT ASSY	AWK7523	AWK7523	AWK7498	AWK7498	AWK7498	
NSP	└ C-AMP-P ASSY	AWX7317	AWX7317	AWX7317	AWX7317	AWX7317	
	└ C-AMP-N ASSY	AWX7318	AWX7318	AWX7318	AWX7318	AWX7318	
NSP	└ OUTPUT-FL ASSY	AWX7319	AWX7319	AWX7319	AWX7319	AWX7319	
NSP	└ OUTPUT-FR ASSY	AWX7320	AWX7320	AWX7320	AWX7320	AWX7320	
	└ OUTPUT-C ASSY	AWX7321	AWX7321	AWX7321	AWX7321	AWX7321	
NSP	└ OUTPUT-SL ASSY	AWX7322	AWX7322	AWX7322	AWX7322	AWX7322	
	└ OUTPUT-SR ASSY	AWX7323	AWX7323	AWX7323	AWX7323	AWX7323	
NSP	└ VL-TERMINAL ASSY	AWX7324	AWX7324	AWX7324	AWX7324	AWX7324	
	└ TRANS 2-1 ASSY	AWX7326	AWX7326	AWX7326	AWX7326	AWX7326	
	└ DIODE ASSY	AWX7343	AWX7343	AWX7343	AWX7343	AWX7343	
	└ SP/PS ASSY	AWX7402	AWX7402	AWX7325	AWX7325	AWX7325	
	└ SP/PS ASSY	AWX7402	AWX7402	AWX7325	AWX7325	AWX7325	
NSP	DSP ASSY	AWX7272	AWX7272	AWX7433	AWX7433	AWX7433	

■ CONTRAST OF PCB ASSEMBLIES

B A-PINJACK ASSY

AWX7312, AWX7397 and AWX7401 are constructed the same except for the following :

Mark	Symbol and Description	Part No.			Remarks
		AWX7312	AWX7397	AWX7401	
	CN1014 6P PIN JACK	AKB7119	Not used	Not used	
	JA1011 - JA1013 4P PIN JACK	AKB7108	AKB7048	AKB7048	
	JA1014 6P PIN JACK	Not used	Not used	AKB7050	
	JA1015 4P PIN JACK	Not used	AKB7048	Not used	
	1016 2P PIN JACK	Not used	AKB7120	Not used	

**VSX-29TX, VSX-27TX, VSX-26TX,
VSX-24TX, VSX-D908S**

D MAIN CONTROL ASSY

AWX7306, AWX7393, AWX7399, AWX7406 and AWX7424 are constructed the same except for the following :

Mark	Symbol and Description	Part No.					Remarks
		AWX7306	AWX7393	AWX7399	AWX7406	AWX7424	
	IC102 IC110 C145, C146 C960, C961 R133, R134	BU4052BCF M62429FP CEAT100M50 CCSQCH101J50 RS1/10S102J	BU4052BCF M62429FP CEAT100M50 CCSQCH101J50 RS1/10S102J	BU4052BCF M62429FP CEAT100M50 CCSQCH101J50 RS1/10S102J	Not used Not used Not used Not used Not used	BU4052BCF M62429FP CEAT100M50 CCSQCH101J50 RS1/10S102J	
	R320, R322, R335, R336 R325-R330 R921 R922 R923	Not used RS1/10S0R0J Not used RS1/10S103J Not used	Not used RS1/10S0R0J Not used RS1/10S103J RS1/10S103J	Not used RS1/10S0R0J RS1/10S103J Not used Not used	RS1/10S0R0J Not used Not used RS1/10S103J Not used	Not used RS1/10S0R0J RS1/10S103J Not used RS1/10S103J	
	R924 R925 R926 R934-R936, R986, R987 CN911 4P PIN JACK	RS1/10S103J RS1/10S103J Not used RS1/10S102J Not used	Not used Not used RS1/10S103J RS1/10S102J Not used	RS1/10S103J Not used RS1/10S103J RS1/10S102J Not used	RS1/10S103J Not used RS1/10S103J Not used AKB7015	Not used RS1/10S103J Not used RS1/10S102J Not used	
	CN941 4P PIN JACK JA911 2P PIN JACK JA931 2P PIN JACK 103 6P PIN JACK 113 6P PIN JACK	Not used Not used Not used AKB7088 Not used	AKB7015 DKB1045 VKB1060 Not used AKB7089	AKB7015 DKB1045 VKB1060 Not used AKB7089	AKB7015 Not used Not used Not used AKB7089	AKB7015 DKB1045 VKB1060 Not used AKB7089	
	JA901, JA911 4P PIN JACK	AKB7075	Not used	Not used	Not used	Not used	

E V-AMP ASSY

AWX7309 and AWX7409 are constructed the same except for the following :

Mark	Symbol and Description	Part No.		Remarks
		AWX7309	AWX7409	
	IC7502, IC7522, IC7542, IC7602, IC7622 Q7501, Q7521, Q7541, Q7601, Q7621 D7501, D7502, D7521, D7522, D7541, D7542 D7601, D7602, D7621, D7622 D7503, D7504, D7523, D7524, D7543, D7544	NJM4558MD 2SC2878 1SS355 1SS355 HZU2CLL	Not used Not used Not used Not used Not used	
	D7603, D7604, D7623, D7624 C7505, C7525, C7545, C7605, C7625 C7506, C7526, C7546, C7606, C7626 C7510, C7530, C7550, C7610, C7630 R7504, R7524, R7544, R7604, R7624	HZU2CLL CCSQCH220J50 CEAT4R7M50 CKSQYB104K25 RS1/10S103J	Not used Not used Not used Not used RS1/10S0R0J	
	R7509, R7529, R7549, R7609, R7629 R7507, R7508, R7510, R7527, R7528, R7530 R7547, R7548, R7550, R7607, R7608, R7610 R7627, R7628, R7630 R7511, R7531, R7551, R7611, R7631	RS1/10S103J RS1/10S334J RS1/10S334J RS1/10S334J RS1/10S102J	Not used Not used Not used Not used Not used	
	R7512, R7513, R7516, R7517, R7532, R7533 R7536, R7537, R7552, R7553, R7556, R7557 R7612, R7613, R7616, R7617, R7632, R7633 R7636, R7637 R7514, R7534, R7554, R7614, R7634	RS1/10S473J RS1/10S473J RS1/10S473J RS1/10S473J RS1/10S101J	Not used Not used Not used Not used Not used	
	R7515, R7518, R7535, R7538, R7555, R7558 R7615, R7618, R7635, R7638 R7641 R7653 - R7656, R7663 - R7666, R7673 - R7676 R7683 - R7686, R7693 - R7696	RS1/10S105J RS1/10S105J RS1/10S914J RS1/10S0R0J RS1/10S0R0J	Not used Not used Not used Not used Not used	

VSX-29TX, VSX-27TX, VSX-26TX, VSX-24TX, VSX-D908S

L SP/PS ASSY

AWX7402 and AWX7325 are constructed the same except for the following :

Mark	Symbol and Description	Part No.		Remarks
		AWX7402	AWX7325	
	D3052, D3054, D3056, D3058, D3060 C3001, C3002 C3101 - C3105 C3106 - C3110	1SS133 ACH7129 CFTYA224J50 CFTYA224J50	Not used ACH7130 CFTYA104J50 Not used	

P VIDEO ASSY

AWX7307, AWX7394 and AWX7407 are constructed the same except for the following :

Mark	Symbol and Description	Part No.			Remarks
		AWX7307	AWX7394	AWX7407	
	IC731 C732, C733, C736 R733 - R735 JA701 3P PIN JACK JA703 3P PIN JACK 702 2P PIN JACK 707 1P PIN JACK	NJM2279M CKSQYB473K50 RS1/10S102J AKB7109 AKB7116 AKB7076 Not used	NJM2279M CKSQYB473K50 RS1/10S102J Not used AKB7115 AKB7017 AKB7020	Not used Not used Not used AKB7056 AKB7115 AKB7017 Not used	

Q S-VIDEO ASSY

AWX7308 and AWX7395 are constructed the same except for the following :

Mark	Symbol and Description	Part No.		Remarks
		AWX7308	AWX7395	
	CN801 4P MINI DIN SOCKET CN802, CN803 4P MINI DIN SOCKET JA801 4P MINI DIN SOCKET	Not used AKP7023 AKP7049	AKP7043 AKP7020 Not used	

S DISPLAY ASSY

AWX7327, AWX7404, AWX7408 and AWX7427 are constructed the same except for the following :

Mark	Symbol and Description	Part No.				Remarks
		AWX7327	AWX7404	AWX7408	AWX7427	
	IC7071 Q7002, Q7054 D7002 D7071 - D7079 S7017 S7019, S7020 C7011, C7073, C7074 C7071 C7072 R7038 R7061 R7071 - R7079 R7080 - R7083 R7092 CN7003 8P FFC CONNECTOR	M66311FP DTC124EK SLR-343DC(NPQ) SLR-343VR(MNP) VSG1009 VSG1009 CKSQYB102K50 CEAL101M6R3 CKSQYB473K50 RS1/10S271J RS1/10S103J RS1/10S271J RS1/10S102J RS1/10S473J 52045-0845	Not used DTC124EK SLR-343DC(NPQ) Not used VSG1009 VSG1009 Not used Not used Not used RS1/10S271J RS1/10S103J Not used Not used Not used Not used	Not used Not used Not used Not used VSG1009 Not used Not used Not used Not used Not used Not used Not used Not used Not used Not used	Not used DTC124EK SLR-343DC(NPQ) Not used Not used Not used Not used Not used RS1/10S271J RS1/10S103J Not used Not used Not used Not used	

T ROTARY ENCODER ASSY

AWX7328 and AWX7405 are constructed the same except for the following :

Mark	Symbol and Description	Part No.		Remarks
		AWX7328	AWX7405	
	S7101 C7103, C7104 R7103, R7104	Not used Not used Not used	ASX7004 CKSQYB103K50 RS1/10S103J	

**VSX-29TX, VSX-27TX, VSX-26TX,
VSX-24TX, VSX-D908S**

Y DSP ASSY

AWX7272 and AWX7433 are constructed the same except for the following :

Mark	Symbol and Description	Part No.		Remarks
		AWX7272	AWX7433	
IC9041		NJM4558MD	Not used	
IC9071		PM4007A	Not used	
IC9091		SRM2B256SLMX70	Not used	
Q9001, Q9002, Q9004 - Q9006, Q9031		2SC3082K (NP)	Not used	
Q9003, Q9032		2PD601A (QR)	Not used	
Q9007		2PB709A (QR)	Not used	
D9001		KV1851	Not used	
D9002		1SS355	Not used	
F9001		ATF7001	Not used	
L9003		ATH7001	Not used	
L9071		ATL7002	Not used	
L9091		QTL1013	Not used	
C9002 - C9006, C9008 - C9013, C9015, C9017		CKSQYF104Z16	Not used	
C9018, C9031, C9032, C9043, C9051, C9052		CKSQYF104Z16	Not used	
C9055, C9058, C9074, C9075, C9077 - C9079		CKSQYF104Z16	Not used	
C9081, C9092		CKSQYF104Z16	Not used	
C9007		CCSRCH750J50	Not used	
C9014, C9054, C9056, C9070		CKSRYB103K50	Not used	
C9016		CEJA470M25	Not used	
C9033		CCSRCH101J50	Not used	
C9041, C9042		CKSRYF105Z10	Not used	
C9053		CEJANP4R7M25	Not used	
C9057		CCSRCH270J50	Not used	
C9071		CEJA101M10	Not used	
C9073, C9080		CKSQYF104Z25	Not used	
C9076		CCSRCH271J50	Not used	
C9091		CEJA470M16	Not used	
C9095		CCSRCH221J50	Not used	
R9002, R9010, R9011, R9018, R9038, R9053		RS1/16S103J	Not used	
R9054, R9071, R9072		RS1/16S103J	Not used	
R9003, R9019		RS1/16S512J	Not used	
R9004, R9015, R9016, R9020		RS1/16S202J	Not used	
R9005, R9006, R9014, R9021, R9022, R9025		RS1/16S102J	Not used	
R9073		RS1/16S102J	Not used	
R9007, R9023, R9033		RS1/16S220J	Not used	
R9008, R9027, R9030		RS1/16S302J	Not used	
R9009, R9074		RS1/16S221J	Not used	
R9013, R9017, R9034		RS1/16S152J	Not used	
R9024, R9026		RS1/16S332J	Not used	
R9028, R9029		RS1/16S561J	Not used	
R9031, R9032		RS1/16S333J	Not used	
R9035		RS1/16S223J	Not used	
R9036		RS1/16S0R0J	Not used	
R9037, R9039		RS1/16S274J	Not used	
R9040		Not used	RS1/10S102J	
R9041		RS1/16S472J	Not used	
R9042, R9044, R9062		RS1/16S392J	Not used	
R9043		RS1/16S273J	Not used	
R9046		RS1/16S104J	Not used	
R9047		RS1/16S432J	Not used	
R9051		RS1/16S393J	Not used	
R9052		RS1/16S243J	Not used	
R9055		RS1/16S121J	Not used	
R9056		RS1/16S683J	Not used	
R9057 - R9059		RS1/16S473J	Not used	

VSX-29TX, VSX-27TX, VSX-26TX, VSX-24TX, VSX-D908S

Mark	Symbol and Description	Part No.		Remarks
		AWX7272	AWX7433	
	R9061 R9075, R9076 R9153 CN9804 3P PLUG X9001 CRYSTAL RESONATOR (18.432MHz)	RS1/16S471J RS1/16S101J Not used KM250MA3 ASS7009	Not used Not used RS1/16S0R0J Not used Not used	

W DIGITAL-I/O ASSY

AWX7315 and AWX7396 are constructed the same except for the following :

Mark	Symbol and Description	Part No.		Remarks
		AWX7315	AWX7396	
	JA1204 2P PIN JACK	AKB7121	AKB7095	

Mark No. Description Part No.

A EXTRA-5.1 ASSY

CAPACITORS

C1107-C1112 CEAT4R7M50
C1113-C1115 CKCYF103Z50

RESISTORS

All Resistors RD1/4PU□□□J

OTHERS

JA1101-JA1103 2P PIN JACK AKB7121
CN1101 8P SOCKET KP200TA8L

A EXTERNAL IN ASSY

CAPACITORS

C1107-C1112 CEAT4R7M50
C1113-C1115 CKCYF103Z50

RESISTORS

All Resistors RD1/4PU□□□J

OTHERS

JA1101-JA1103 AKB7095
CN1101 8P SOCKET KP200TA8L

B A-PINJACK ASSY

CAPACITORS

C1019-C1022 CKCYF103Z50

RESISTORS

All Resistors RD1/4PU□□□J

OTHERS

JA1011-JA1013 4P PIN JACK AKB7108
CN1014 6P PIN JACK AKB7119
CN1001 18P SOCKET KP200TA18L
CN1002 4P SOCKET KP200TA4L

Mark No. Description Part No.

C CONNECTION ASSY

SEMICONDUCTORS

IC1351 M5220P
IC1301-IC1303 NJM4558D-D

CAPACITORS

C1351,C1352 CEAT100M50
C1365,C1366 CEAT101M16
C1363,C1364 CEAT2R2M50
C1357,C1358 CEAT470M25
C1307-C1312 CEAT4R7M50

C1313-C1318 CKCYF103Z50
C1361,C1362 CQMA242J50
C1359,C1360 CQMBA822J50

RESISTORS

All Resistors RD1/4PU□□□J

OTHERS

CN1351 18P PLUG KM200TA18
CN1352 4P PLUG KM200TA4
CN1301 8P PLUG KM200TA8
CN1302 10P SOCKET KP200TA10L
CN1353 20P SOCKET KP200TA20L

D MAIN CONTROL ASSY

SEMICONDUCTORS

IC102 BU4052BCF
IC110 M62429FP
IC103,IC105,IC109 NJM4558MD
IC901 PD5506A
IC104,IC107 TC9163AF

IC101 TC9274N-001
IC108 TC9482N
IC112 UPC4570G2
IC113,IC114 UPC4570HA
Q991 2SC1740S

Q251,Q252 2SC2412K
Q113,Q114,Q271,Q272 2SC2878
Q902-Q905 DTA124EK
Q901 DTC143EK
Q107-Q112 HN1C03F

VSX-29TX, VSX-27TX, VSX-26TX, VSX-24TX, VSX-D908S

Mark	No.	Description	Part No.
	D254,D255,D901-D910,D991		1SS355
	D995		UDZ11B
	D201,D202,D256		UDZS5.1B

COIL

L901	CHIP COIL	LCTA2R2J3225
------	-----------	--------------

CAPACITORS

C902	ACH7058
C951-C964	CCSQCH101J50
C157,C158,C167,C168,C177	CCSQCH560J50
C111,C112,C117,C118	CEAT100M50
C127-C130,C141,C142	CEAT100M50
C145,C146,C149,C150	CEAT100M50
C153,C154,C159,C160	CEAT100M50
C163,C164,C169,C170	CEAT100M50
C173,C174,C179,C180	CEAT100M50
C255,C256,C277,C278	CEAT100M50
C123-C126,C991	CEAT101M16
C147,C148,C257	CEAT1R0M50
C903	CEAT221M10
C121,C122	CEAT221M16
C905	CEAT2R2M50
C915	CEAT331M10
C107,C108,C115,C116	CKSQYB103K50
C133-C140,C143,C144	CKSQYB103K50
C161,C162,C279,C280,C901	CKSQYB103K50
C904,C908,C909,C914,C919	CKSQYB103K50
C965	CKSQYB103K50
C273,C274	CKSQYB104K25
C275,C276	CKSQYB332K50
C178	CKSQYB333K50
C271,C272	CKSQYB472K50
C910,C912	CKSQYB473K50
C906	CKSQYF105Z16
C992	CKSQYF225Z16

RESISTORS

R948	RA12T473J
R913	RA5T103J
R949	RA8T103J
R109	RD1/2VM391J
Other Resistors	RS1/10S□□□□J

OTHERS

X901	CERAMIC RESONATOR (4.19MHz)	ASS1018
CN903	7P FFC CONNECTOR	52044-0745
CN902	13P FFC CONNECTOR	52044-1345
CN906	5P FFC CONNECTOR	52045-0545
CN105	23P FFC CONNECTOR	52045-2345
CN905	26P FFC CONNECTOR	52045-2645
CN904	32P FFC CONNECTOR	52045-3245
CN901,CN911	4P PIN JACK	AKB7075
103	6P PIN JACK	AKB7088
CN103	10P PLUG	KM200TA10
CN101	20P PLUG	KM200TA20
CN104	16P SOCKET	KP200IA16L
CN901	15P SOCKET	KP200TA15L
CN920	7P SOCKET	KP200TA7L
CN108	9P SOCKET	KP200TA9L
909,912,913	PCB BINDER	VEF1040

E V-AMP ASSY SEMICONDUCTORS

	IC581	BU4052BCF
	IC7502,IC7522,IC7542,IC7602,IC7622	NJM4558MD
	IC7501,IC7521,IC7541,IC7601,IC7621	UPC4570G2
	Q503,Q523,Q543,Q603,Q623	2SA1048
△	Q506,Q509,Q526,Q529,Q546	2SA970
△	Q549,Q606,Q609,Q626,Q629	2SA970
△	Q507,Q508,Q527,Q528	2SC2240
△	Q547,Q548,Q607,Q608	2SC2240
	Q561	2SC2240
△	Q627,Q628	2SC2240
	Q510,Q530,Q550,Q610,Q630	2SC2878
	Q7501,Q7521,Q7541,Q7601,Q7621	2SC2878
	Q501,Q521,Q541,Q601,Q621	FMS3
	Q504,Q524,Q544,Q604,Q624	FMW4
	D501,D502,D504,D505	1SS355
	D521,D522,D524,D525	1SS355
	D541,D542,D544,D545	1SS355
	D581-D588,D601,D602	1SS355
	D604,D605,D621,D622	1SS355
	D624,D625,D7501,D7502	1SS355
	D7521,D7522,D7541,D7542	1SS355
	D7601,D7602,D7621,D7622	1SS355
	D7503,D7504,D7523,D7524	HZU2CLL
	D7543,D7544,D7603,D7604	HZU2CLL
	D7623,D7624	HZU2CLL
	D503,D523,D543,D603,D623	UDZS6.8B
△	D506,D526,D546,D606,D626	UDZS8.2B

CAPACITORS

C511,C512,C531,C532	CCCSL181K2H
C551,C552,C611,C612	CCCSL181K2H
C631,C632	CCCSL181K2H
C509,C529,C549,C609,C629	CCCSL5R0C2H
C504,C524,C544,C604,C624	CCSQCH101J50
C7504,C7505,C7524,C7525	CCSQCH220J50
C7544,C7545,C7604,C7605	CCSQCH220J50
C7624,C7625	CCSQCH220J50
C502,C522,C542,C602,C622	CCSQCH221J50
C506,C507,C526,C527	CCSQSL560J50
C546,C547,C606,C607	CCSQSL560J50
C626,C627	CCSQSL560J50
C7501,C7521,C7541,C7601,C7621	CEAT100M50
C505,C508,C525,C528,C545	CEAT101M16
C548,C605,C608,C625,C628	CEAT101M16
C510,C530,C550,C610,C630	CEAT470M16
C513,C533,C553,C568,C569	CEAT470M50
C613,C633	CEAT470M50
C501,C521,C541,C601,C621	CEAT4R7M50
C7506,C7526,C7546,C7606,C7626	CEAT4R7M50
C7502,C7503,C7510,C7512	CKSQYB104K25
C7522,C7523,C7530,C7532	CKSQYB104K25
C7542,C7543,C7550,C7552	CKSQYB104K25
C7602,C7603,C7610,C7612	CKSQYB104K25
C7622,C7623,C7630,C7632	CKSQYB104K25
C561-C565	CKSQYB222K50
C503,C523,C543,C603,C623	CKSQYB332K50
C570	CKSQYF223Z50
C581,C582	CKSQYF225Z16

VSX-29TX, VSX-27TX, VSX-26TX, VSX-24TX, VSX-D908S

Mark	No.	Description	Part No.
RESISTORS			
		R518,R538,R558,R618,R638	RD1/4MUF473J
△		R513,R514,R533,R534	RS1/10S121J
△		R553,R554,R613,R614	RS1/10S121J
△		R633,R634	RS1/10S121J
		Other Resistors	RS1/10S□□□J

OTHERS			
	CN501	23P FFC CONNECTOR	52045-2345
	CN502	28P FFC CONNECTOR	52045-2845
	CN504	3P PLUG	KM250MA3
	505,506	PCB BINDER	VEF1040

F C-AMP-N ASSY

SEMICONDUCTORS			
	Q2503,Q2523,Q2543,Q2603,Q2623	2SA970	
	Q2001,Q2002	2SC1740S	
	Q2502,Q2522,Q2542,Q2602,Q2622	2SC4137	
△	Q2501,Q2521,Q2541,Q2601,Q2621	IRF540A	
	D2501-D2504,D2521-D2524	1SS133	
	D2541-D2544,D2601-D2604	1SS133	
	D2621-D2624	1SS133	

CAPACITORS			
	C2501,C2521,C2541,C2601,C2621	CEANPR22M50	
	C2001	CEAT101M10	

RESISTORS			
△	R2506,R2510,R2526,R2530,R2546	RD1/4PUF391J	
△	R2550,R2606,R2610,R2626,R2630	RD1/4PUF391J	
△	R2501,R2521,R2541,R2601,R2621	RD1/4PUF470J	
	VR2501,VR2521,VR2541,VR2601	RCP1134	
	(22Ω)		
	VR2621 (22Ω)	RCP1134	
	Other Resistors	RD1/4PU□□□J	

OTHERS			
	CN2001	28P FFC CONNECTOR	52045-2845
	CN2501,CN2521,CN2541,CN2601	7P PLUG	KM250NA7L
	CN2621	8P PLUG	KM250NA8L

G C-AMP-P ASSY

SEMICONDUCTORS			
△	Q2504,Q2524,Q2544,Q2604,Q2624	IRF9540A	

RESISTORS			
△	R2511,R2531,R2551,R2611,R2631	RD1/4PUF470J	

OTHERS			
	CN2504,CN2524,CN2544,CN2604	5P PLUG	KM250NA5L
	CN2624	5P PLUG	KM250NA5L

Mark	No.	Description	Part No.
HA OUTPUT-SL ASSY			
RESISTOR			
△	R2612	(0.05Ω/5W)	ACN7097

OTHERS			
	CN2603	5P SOCKET	KP250NA5
	CN2602	7P SOCKET	KP250NA7

HB OUTPUT-FL ASSY

RESISTOR			
△	R2512	(0.05Ω/5W)	ACN7097

OTHERS			
	CN2503	5P SOCKET	KP250NA5
	CN2502	7P SOCKET	KP250NA7

HC OUTPUT-C ASSY

RESISTOR			
△	R2552	(0.05Ω/5W)	ACN7097

OTHERS			
	CN2543	5P SOCKET	KP250NA5
	CN2542	7P SOCKET	KP250NA7

HD OUTPUT-FR ASSY

RESISTOR			
△	R2532	(0.05Ω/5W)	ACN7097

OTHERS			
	CN2523	5P SOCKET	KP250NA5
	CN2522	7P SOCKET	KP250NA7

HE OUTPUT-SR ASSY

RESISTOR			
△	R2632	(0.05Ω/5W)	ACN7097

OTHERS			
	CN2623	5P SOCKET	KP250NA5
	CN2622	8P SOCKET	KP250NA8

I VL-TERMINAL ASSY

CAPACITORS			
	C2011,C2012		CEAT1R0M2A

OTHERS			
	KN2011,KN2012	GROUND PLATE	ANK-142

VSX-29TX, VSX-27TX, VSX-26TX, VSX-24TX, VSX-D908S

Mark	No.	Description	Part No.
J	TRANS 2-1 ASSY		
SEMICONDUCTORS			
△	IC4501,IC4502 (2.5A)		AEK7014
△	Q4502		2SA1837
△	Q4501		2SC4793
	Q4504		DTA143ES
	Q4505		DTC124ES
	Q4503		DTC143ES
	D4509,D4510		MTZJ12B
	D4513		MTZJ16B
	D4505-D4508		MTZJ20A
△	D4501-D4504		S5688G
	D4511,D4512		S5688G
CAPACITORS			
	C4509,C4510		CEAT101M50
	C4507,C4508		CEAT471M63
RESISTORS			
△	R4509,R4510		RD1/4PMF332J
	Other Resistors		RD1/4PU□□□J
OTHERS			
	4001 9P CABLE HOLDER		51048-0900
	H4501-H4504 FUSE CLIP		AKR1004
	4501,4502 HEAT SINK		ANH-309
	4503,4504 SCREW		BPZ30P080FZK
K	DIODE ASSY		
SEMICONDUCTORS			
△	D3001,D3002		D5SBA20(B)
L	SP/PS ASSY		
SEMICONDUCTORS			
	Q3005,Q3156-Q3159		DTA124ES
	Q3151-Q3155		DTC143ES
	D3051-D3060		1SS133
COILS			
	L3101-L3105 AF CHOKE COIL		ATH1053
RELAYS			
	RY3101-RY3105		ASR7014
CAPACITORS			
	C3001,C3002 (22000μF/56V)		ACH7129
	C3118		CEAT100M50
	C3101-C3110		CFTYA224J50
	C3111-C3117		CQHA102J2A
RESISTORS			
	R3151-R3155		RD1/2PM331J
△	R3101-R3105		RD1/4PMF4R7J
△	R3106-R3110		RS1LMF4R7J
△	R3131,R3132		RS2LMF331J
	Other Resistors		RD1/4PM□□□J

Mark	No.	Description	Part No.
OTHERS			
	3004	8P CABLE HOLDER	51048-0800
	3001	9P CABLE HOLDER	51048-0900
	CN3003	14P FFC CONNECTOR	52045-1445
	CN3101	8P SPEAKER TERMINAL	AKE7033
	CN3102	6P SPEAKER TERMINAL	AKE7034
	J3002	JUMPER WIRE 8P	D20PYY0825E
	J3001	JUMPER WIRE 9P	D20PYY0915E
	CN3001	4P PLUG	KM200TA4
	KN3001	EARTH METAL FITTING	VNF1084
M	REGULATOR ASSY		
SEMICONDUCTORS			
△	IC5009,IC5010 (200mA)		AEK7023
△	IC5004,IC5008		NJM78M05FA
△	IC5003		NJM78M12FA
△	IC5001		NJM78M15FA
△	IC5005,IC5007		NJM78M56FA
△	IC5006		NJM79M05FA
△	IC5002		NJM79M15FA
	D5010		1SS133
△	D5009		D3SBA20(B)
	D5012-D5014		MTZJ10C
	D5011		MTZJ5.1B
△	D5001-D5008,D5015-D5017		S5688G
CAPACITORS			
	C5015,C5017,C5019,C5021,C5023		CEAT101M10
	C5009,C5011,C5013,C5025		CEAT101M25
	C5024		CEAT101M50
	C5026		CEAT221M35
	C5027,C5028		CEAT221M50
	C5001,C5003,C5006		CEAT222M25
	C5002,C5004		CEAT222M35
	C5005		CEAT332M25
	C5007		CEAT472M16
	C5008,C5010,C5012,C5014,C5016		CKCYF103Z50
	C5018,C5020,C5022		CKCYF103Z50
RESISTORS			
	R5001-R5003		RD1/2PM620J
OTHERS			
	5009	4P CABLE HOLDER	51048-0400
	CN5002	14P FFC CONNECTOR	52045-1445
	CN5001	8P JUMPER CONNECTOR	52147-0810
	J5000	BOARD IN WIRE	DB022ND0
	CN5004	16P PLUG	KM200IA16
	CN5005	15P PLUG	KM200TA15
	CN5007	17P PLUG	KM200TA17
	CN5008	7P PLUG	KM200TA7
	CN5003,CN5006	9P PLUG	KM200TA9
	KN5001,KN5002	EARTH METAL FITTING	VNF1084
N	TRANS 1 ASSY		
	TRANS 1 Assy has no service parts.		

VSX-29TX, VSX-27TX, VSX-26TX, VSX-24TX, VSX-D908S

Mark	No.	Description	Part No.
------	-----	-------------	----------

O TRANS 2-2 ASSY

SEMICONDUCTOR

△	IC5501 (4A)		AEK7018
---	-------------	--	---------

OTHERS

	5501	4P CABLE HOLDER	51048-0400
--	------	-----------------	------------

P VIDEO ASSY

SEMICONDUCTORS

	IC751	BU4053BCF	
	IC752	LC74782M-9011	
	IC731	NJM2279M	
	IC701	NJM2296M	
	Q701	2SA933S	

	Q751-Q754	2SC1740S	
	Q755	DTC124EK	
	D701,D702,D731,D751-D753	1SS355	

COILS

	L752,L753	CHIP COIL	LCTA100J3225
	L751	CHIP COIL	LCTA330J3225

CAPACITORS

	C753	CCSQCH100D50	
	C763,C772	CCSQCH101J50	
	C715,C759	CCSQCH150J50	
	C760	CCSQCH180J50	
	C705-C707,C731	CCSQCH181J50	

	C761,C762	CCSQCH240J50	
	C754	CEAT100M50	
	C701-C704,C710-C712	CEAT101M10	
	C734,C735,C755,C764,C765	CEAT101M10	
	C781-C784	CEAT101M10	

	C713,C768,C769	CEAT101M16	
	C757	CEAT1R0M50	
	C752	CEAT330M16	
	C791,C795,C797	CKSQYB103K50	
	C756	CKSQYB122K50	

	C708,C709,C714,C732,C733	CKSQYB473K50	
	C736,C766,C767,C770,C771	CKSQYB473K50	
	C785,C786,C793	CKSQYB473K50	

RESISTORS

	R715	RD1/2VM201J	
	Other Resistors	RS1/10S□□□J	

OTHERS

	X751	CRYSTAL RESONATOR (14.31818MHz)	ASS1056
	CN702	21P FFC CONNECTOR	52045-2145
	CN701	26P FFC CONNECTOR	52045-2645
	702	2P PIN JACK	AKB7076
	JA701	3P PIN JACK	AKB7109
	JA703	3P PIN AJCK	AKB7116
	JA705	MULTI HOME JACK	AKN7014
	704	PCB BINDER	VEF1040

Mark	No.	Description	Part No.
------	-----	-------------	----------

Q S-VIDEO ASSY

SEMICONDUCTORS

	IC831	BU4051BCF	
	IC852	BU4053BCF	
	IC851	LA7213	
	IC801,IC802	NJM2296M	
	Q852,Q853	2SA933S	

	Q851	DTC124ES	
	Q833,Q834	IMH11	
	Q831	IMZ1A	
	D801,D802,D804,D805,D851	1SS355	

CAPACITORS

	C857	CCSQCH100D50	
	C854	CCSQCH151J50	
	C815-C818,C861,C862	CCSQCH181J50	
	C898	CCSQCH221J50	
	C809,C858	CCSQCH330J50	

	C801,C803,C805,C807	CEAT101M10	
	C819-C822,C852,C853,C863	CEAT101M10	
	C881,C882	CEAT101M10	
	C866,C868	CEAT101M16	
	C851	CEAT3R3M50	

	C831-C836,C855,C856,C891	CKSQYB103K50	
	C893,C894,C899	CKSQYB103K50	
	C810-C814,C859,C860	CKSQYB104K25	
	C864,C865	CKSQYB104K25	
	C802,C804,C806,C808	CKSQYB473K50	

	C823-C826,C867,C869	CKSQYB473K50	
--	---------------------	--------------	--

RESISTORS

	R864	RD1/2VM201J	
	R859	RD1/4VM471J	
	Other Resistors	RS1/10S□□□J	

OTHERS

	CN804	21P FFC CONNECTOR	52045-2145
	CN802,CN803	4P MINI DIN SOCKET	AKP7023
	JA801	4P MINI DIN SOCKET	AKP7049
	JA881,JA882	REMOTE CONTROL JACK	RKN1004
	801	PCB BINDER	VEF1040

R H. PHONE/F. VIDEO ASSY

SEMICONDUCTORS

	Q7201,Q7202	2SC1740S	
--	-------------	----------	--

CAPACITORS

	C7201,C7202,C7215,C7216	CCSQCH271J50	
	C7203,C7204	CCSQCH330J50	
	C7208,C7209	CEAT101M10	
	C7207	CEAT470M35	
	C7210,C7212	CKSQYB103K50	

	C7211	CKSQYB104K25	
	C7213,C7214	CKSQYB105K10	
	C7217,C7218	CKSQYB392K50	

RESISTORS

	All Resistors	RS1/10S□□□J	
--	---------------	-------------	--

VSX-29TX, VSX-27TX, VSX-26TX, VSX-24TX, VSX-D908S

Mark	No.	Description	Part No.
OTHERS			
	CN7201	12P FFC CONNECTOR	52045-1245
	CN7202	FRONT PIN JACK 4P	AKX7007
	JA7201	HEADPHONE JACK	RKB1014
	KN7201	EARTH METAL FITTING	VNF1084

S DISPLAY ASSY SEMICONDUCTORS

IC7071	M66311FP
IC7001	PD5507A
IC7051	TC7W53FU
Q7051	2SA1037K
Q7005	2SC2412K
Q7001,Q7002,Q7052,Q7054	DTC124EK
Q7053	FMA1A
D7007-D7010,D7051-D7057	1SS355
D7002	SLR-343DC(NPQ)
D7001,D7071-D7079	SLR-343VR(MNP)

COIL

L7001	LFA2R2J
-------	---------

SWITCHES

S7001-S7030	VSG1009
-------------	---------

CAPACITORS

C7010 (0.047μF/5.5V)	ACH7128
C7007	CCSQCH101J50
C7008,C7013,C7071	CEAL101M6R3
C7701,C7702	CEAT100M50
C7052	CEAT101M6R3
C7001-C7005,C7011,C7073,C7074	CKSQYB102K50
C7091	CKSQYB102K50
C7051	CKSQYB103K50
C7009,C7072	CKSQYB473K50
C7053	CKSQYB562K50

RESISTORS

R7044	RA15T104J
Other Resistors	RS1/10S□□□□

OTHERS

X7001	CERAMIC RESONATOR (7.2MHz)	ASS7018
7001	3P CABLE HOLDER	51052-0300
7002,7003	8P CABLE HOLDER	51052-0800
CN7005	5P FFC CONNECTOR	52045-0545
CN7002	6P FFC CONNECTOR	52045-0645
CN7003	8P FFC CONNECTOR	52045-0845
CN7004	12P FFC CONNECTOR	52045-1245
CN7001	32P FFC CONNECTOR	52045-3245
V7001	FL TUBE	AAV7063
7004	REMOTE RECEIVER UNIT	GP1U27X

T ROTARY ENCODER ASSY SWITCH

S7102	ASX7031
-------	---------

CAPACITORS

C7101,C7102	CKSQYB103K50
-------------	--------------

Mark	No.	Description	Part No.
RESISTORS			
		All Resistors	RS1/10S□□□□

OTHERS

CN7101	6P FFC CONNECTOR	52044-0645
--------	------------------	------------

U VOLUME ASSY SEMICONDUCTORS

Q7301,Q7302	2SA1993
Q7303,Q7304	2SC5395
D7301	1SR154-400

CAPACITORS

C7301	CEANP100M16
C7302	CEAT220M50
C7303	CEAT471M6R3

RESISTORS

VR7301 (VARIABLE WITH MOTOR)	ACX7037
Other Resistors	RS1/10S□□□□

OTHERS

CN7301	8P FFC CONNECTOR	52045-0845
KN7301	EARTH METAL FITTING	VNF1084

V PRIMARY ASSY SEMICONDUCTORS

△ IC6001	NJM78M56FA
Q6001	DTC143ES
D6005-D6007	1SS133
D6008	MTZJ5.1A
△ D6001-D6004	S5688G

COIL

△ L6001	LINE FILTER	ATF1006
---------	-------------	---------

TRANSFORMER

△ T6001	STANDBY TRANS.	ATT7043
---------	----------------	---------

RELAY

△ RY6001	POWER RELAY	ASR7022
----------	-------------	---------

CAPACITORS

△ C6002,C6003 (10000pF/AC250V)	ACG7020
C6005	CEAT102M16
C6006	CEAT470M25
C6004	CKCYF103Z50

RESISTORS

R6001 (2.2MΩ, 1/2W)	RCN1080
R6003	RD1/2PM270J
Other Resistors	RD1/4PU□□□□

OTHERS

△ 6004	3P AC OUTLET	AKP1053
H6001,H6002	FUSE CLIP	AKR1004
CN6003	4P SOCKET	KP200TA4L
△ CN6002	AC CORD SOCKET	RKP1751
6005	PCB BINDER	VEF1040
6002,6003	SCREW TERMINAL	VNE1948

VSX-29TX, VSX-27TX, VSX-26TX, VSX-24TX, VSX-D908S

Mark	No.	Description	Part No.
------	-----	-------------	----------

W DIGITAL-I/O ASSY SEMICONDUCTORS

IC1201			TC74HCU04AF
--------	--	--	-------------

COILS AND FILTERS

F1203,F1204	CHIP BEAD		DTF1064
L1201,L1202	CHIP COIL		LCTA330J3225

CAPACITORS

C1204,C1211		CCSQCH470J50	
C1206,C1213		CEAT470M10	
C1203,C1210		CKSQYB103K50	
C1207,C1212,C1215,C1216		CKSQYF104Z25	
C1236,C1237		CKSQYF104Z25	

RESISTORS

All Resistors			RS1/10S□□□□J
---------------	--	--	--------------

OTHERS

CN1201	11P FFC CONNECTOR	52045-1145	
JA1204	2P PIN JACK	AKB7121	
JA1201,JA1202		GP1F37R1	
JA1203	OPTICAL RECEIVE MOD.		
	OPTICAL LINK MOD.	GP1F38T2	

X RF TERMINAL ASSY

CAPACITORS

C1251		CKSQYB473K50	
C1250		CKSQYF473Z50	

RESISTORS

All Resistors			RS1/10S□□□□J
---------------	--	--	--------------

OTHERS

CN1250	3P PLUG	KM250MA3	
JA1250	1P PIN JACK (AU, BLK)	VKB1074	
1250	SCREW TERMINAL	VNE1948	

Y DSP ASSY

SEMICONDUCTORS

IC9203		CS5360-KS	
IC9101		CS8414-CS	
IC9201,IC9202		NJM2100M	
IC9041,IC9602-IC9604,IC9701-IC9704		NJM4558MD	
IC9401,IC9411,IC9421		PCM1716E	
IC9501		PD5503A	
IC9374		PDK042A	
IC9071		PM4007A	
IC9391		PQ20WZ51	
IC9091		SRM2B256SLMX70	
IC9372		TC55V1664BFT-12	
IC9371		TC55V8128BJ-12	
IC9151		TC74ACT151F	
IC9102		TC74VHC157FT	
IC9103		TC7SH08FU	

Mark	No.	Description	Part No.
------	-----	-------------	----------

IC9311			TC7WT241FU
IC9204,IC9361			TC7WU04FU
IC9601			TC9164AF
IC9705			UPC4570G2
IC9321			XCD56362PV100

Q9007			2PB709A
Q9003,Q9032			2PD601A
Q9001,Q9002,Q9004-Q9006,Q9031			2SC3082K
Q9201,Q9202,Q9601-Q9606			2SC3326
Q9102,Q9104,Q9203,Q9607			DTA124EK

Q9609,Q9610			DTA124EK
Q9101,Q9103,Q9204,Q9205,Q9608			DTC124EK
D9601,D9602			1SS181
D9201-D9204			1SS226
D9002			1SS355

D9001			KV1851
-------	--	--	--------

COILS AND FILTERS

F9001	BPF		ATF7001
L9003	INDUCTOR		ATH7001
L9071,L9104,L9321,L9323,L9391		CHIP FERRITE BEAD	ATL7002
L9399,L9402-L9408,L9501,L9801		CHIP FERRITE BEAD	ATL7002

L9807,L9809			ATL7002
		CHIP FERRITE BEAD	
F9072	CHIP BEAD		DTF1064
L9091,L9092,L9101,L9102		CHIP SOLID INDUCTOR	QTL1013

L9105-L9108,L9151,L9152		CHIP SOLID INDUCTOR	QTL1013
L9203-L9206,L9311,L9361		CHIP SOLID INDUCTOR	QTL1013
L9371,L9372,L9374,L9396-L9398		CHIP SOLID INDUCTOR	QTL1013

CAPACITORS

C9329,C9349,C9355,C9357,C9358		CCSQCH101J50	
C9378,C9386		CCSQCH101J50	
C9232,C9453-C9455,C9809		CCSQCH221J50	
C9815,C9816		CCSQCH221J50	
C9112,C9512		CCSQCH271J50	

C9224,C9225		CCSQCH330J50	
C9033,C9325,C9326,C9335,C9337		CCSRCH101J50	
C9339,C9341,C9345,C9347,C9374		CCSRCH101J50	
C9387,C9609,C9610,C9721,C9722		CCSRCH101J50	
C9735		CCSRCH101J50	

C9364		CCSRCH180J50	
C9363		CCSRCH220J50	
C9095,C9231,C9233,C9621,C9622		CCSRCH221J50	
C9761-C9766		CCSRCH221J50	
C9057,C9201,C9202		CCSRCH270J50	

C9076,C9104,C9106,C9154,C9214		CCSRCH271J50	
C9220,C9362,C9402,C9412,C9422		CCSRCH271J50	
C9629		CCSRCH271J50	
C9719,C9720,C9733		CCSRCH331J50	
C9741		CCSRCH470J50	

C9451,C9452,C9509,C9617,C9618		CCSRCH471J50	
C9639		CCSRCH471J50	
C9211,C9717,C9718,C9731,C9808		CCSRCH561J25	
C9007		CCSRCH750J50	
C9707,C9708		CCSRCH820J50	

VSX-29TX, VSX-27TX, VSX-26TX, VSX-24TX, VSX-D908S

Mark	No.	Description	Part No.
	C9611, C9612		CCSRCH821J25
	C9312, C9643, C9644, C9756		CEJA100M25
	C9071, C9393, C9501, C9740, C9801		CEJA101M10
	C9442		CEJA221M10
	C9343, C9360		CEJA221M6R3
	C9216, C9219, C9222, C9403, C9405		CEJA330M10
	C9408, C9413, C9415, C9418, C9423		CEJA330M10
	C9425, C9428, C9713, C9714		CEJA330M10
	C9727, C9728, C9739, C9751-C9755		CEJA330M10
	C9091, C9102, C9108, C9114, C9151		CEJA470M16
	C9372, C9376, C9383		CEJA470M16
	C9016, C9803, C9805		CEJA470M25
	C9406, C9409, C9416, C9419, C9426		CEJA470M6R3
	C9429		CEJA470M6R3
	C9203, C9204, C9206, C9207, C9391		CEJA4R7M50
	C9603, C9604, C9615, C9616		CEJA4R7M50
	C9627, C9628		CEJA4R7M50
	C9053		CEJANP4R7M25
	C9110		CEJAR47M50
	C9113, C9322, C9323, C9332, C9334		CKSQYB103K50
	C9342, C9344, C9350-C9354, C9377		CKSQYB103K50
	C9385, C9636		CKSQYB103K50
	C9330		CKSQYB474K16
	C9073, C9080, C9205, C9208, C9511		CKSQYF104Z25
	C9212, C9554		CKSRYB102K50
	C9014, C9054, C9056, C9070, C9103		CKSRYB103K50
	C9105, C9107, C9119, C9153, C9158		CKSRYB103K50
	C9221, C9313, C9324, C9327, C9333		CKSRYB103K50
	C9336, C9338, C9340, C9346, C9348		CKSRYB103K50
	C9361, C9373, C9388, C9401, C9411		CKSRYB103K50
	C9421, C9637		CKSRYB103K50
	C9626, C9730		CKSRYB104K16
	C9605, C9606, C9633		CKSRYB122K50
	C9703, C9704, C9715, C9716, C9729		CKSRYB182K50
	C9601, C9602, C9613, C9614, C9625		CKSRYB222K50
	C9701, C9702		CKSRYB272K50
	C9732		CKSRYB333K16
	C9645		CKSRYB472K50
	C9215, C9218, C9404, C9407, C9410		CKSRYB473K16
	C9414, C9417, C9420, C9424, C9427		CKSRYB473K16
	C9430		CKSRYB473K16
	C9359		CKSRYB562K50
	C9111		CKSRYB682K50
	C9118		CKSRYB683K16
	C9736		CKSRYB821K50
	C9002-C9006, C9008-C9013, C9015		CKSRYF104Z16
	C9017, C9018, C9031, C9032, C9043		CKSRYF104Z16
	C9051, C9052, C9055, C9058		CKSRYF104Z16
	C9074, C9075, C9077-C9079, C9081		CKSRYF104Z16
	C9092, C9209, C9210, C9607, C9608		CKSRYF104Z16
	C9619, C9620, C9631, C9632		CKSRYF104Z16
	C9709-C9712, C9723-C9726		CKSRYF104Z16
	C9737, C9738		CKSRYF104Z16
	C9041, C9042		CKSRYF105Z10

RESISTORS

R9158, R9351, R9376-R9379, R9394	RS1/10S0R0J
R9401, R9411, R9421, R9452-R9454	RS1/10S0R0J
R9104	RS1/10S101J
R9114, R9239, R9504, R9505	RS1/10S102J
R9214	RS1/10S103J

Mark	No.	Description	Part No.
	R9393		RS1/10S2001F
	R9074, R9128		RS1/10S221J
	R9120		RS1/10S331J
	R9061		RS1/10S471J
	R9360		RS1/10S472J
	R9391		RS1/10S5100F
	Other Resistors		RS1/16S□□□J

OTHERS

X9501	CERAMIC RESONATOR (7.70MHz)	ASS1055
X9001	CRYSTAL RESONATOR (18.432MHz)	ASS7009
X9361	CRYSTAL RESONATOR (20MHz)	ASS7023
X9201	CRYSTAL RESONATOR (12.288MHz)	DSS1030
CN9551	7P FFC CONNECTOR	52045-0745
CN9803	11P FFC CONNECTOR PC BOARD DSP	52045-1145 ANP7311
CN9804	3P PLUG	KM250MA3
CN9801	17P SOCKET	KP200TA17L
CN9802	9P SOCKET	KP200TA9L

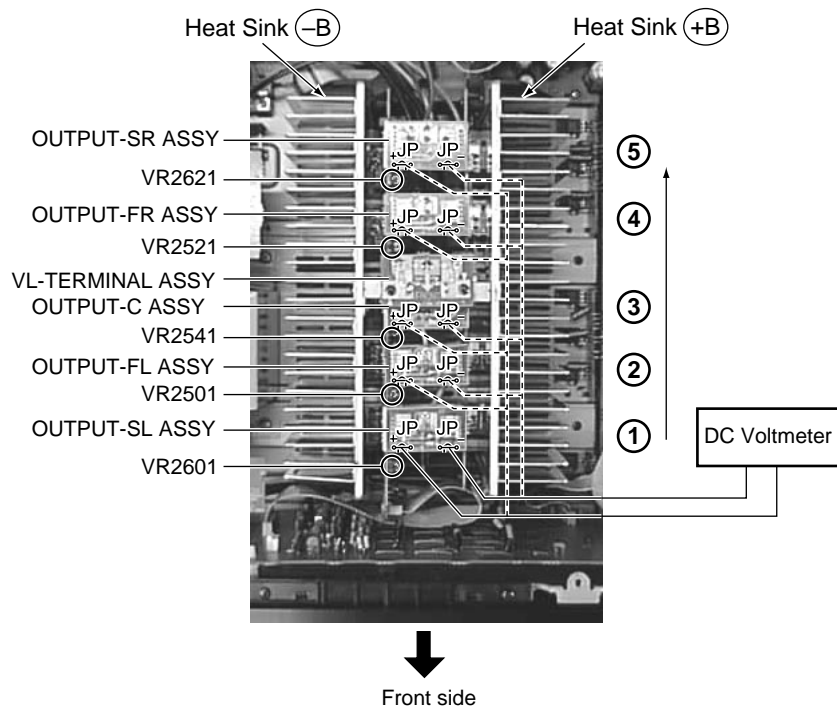
6. ADJUSTMENT

6.1 IDLE CURRENT ADJUSTMENT

- **CAUTION** : Heatsink's DC level is equal to +B or -B.
Don't touch them or you will be electrically shocked.

1. Decrease the level of the Adjustment Variable resistors (VR) for the channel to be adjusted. (Turn counterclockwise.)
2. Set the power switch to ON.
3. Connect the DC voltmeter as shown below and adjust VRs in step No. order so that voltages become $16\text{mV}^{+4\text{mV}}_{-0\text{mV}}$.
4. Ages for seven minutes.
5. Readjust in step No. order so that the voltages become $11.5\text{mV} \pm 1\text{mV}$ (10.5 to 12.5mV). Adjustment is completed.

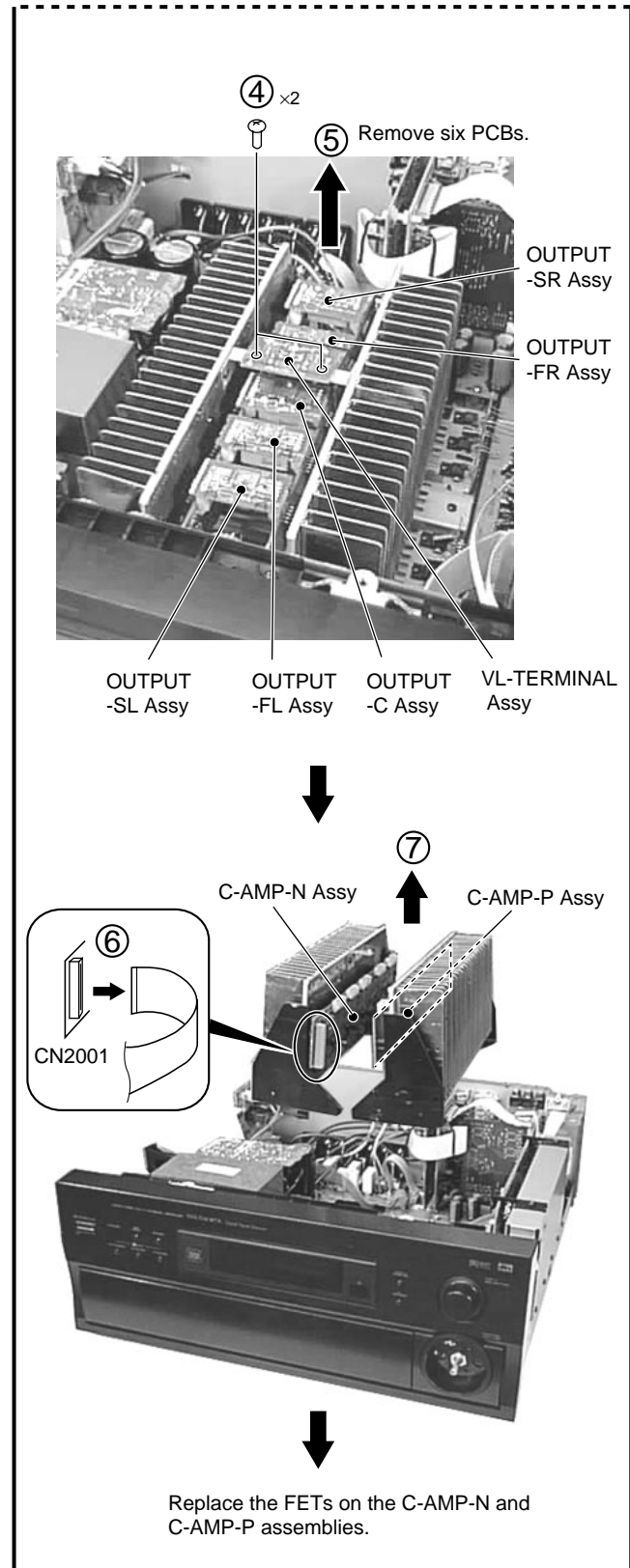
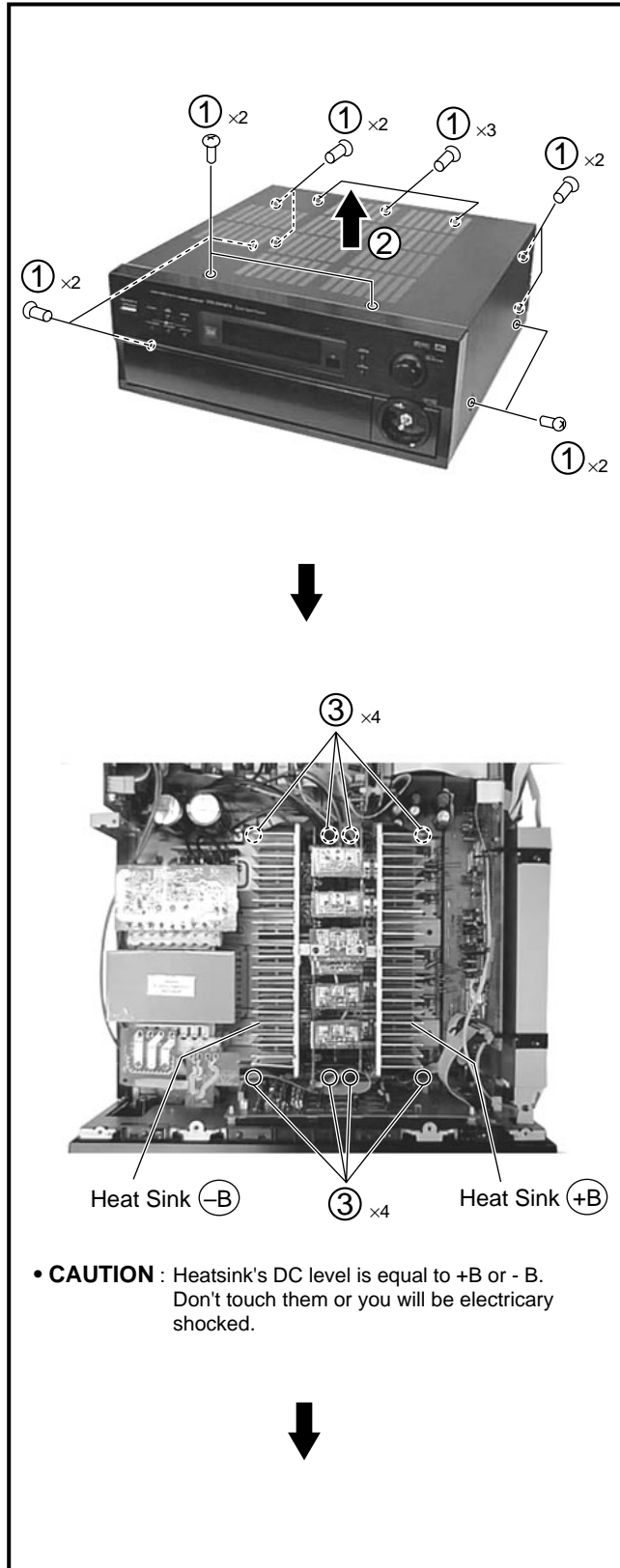
Step No.	Adjustment VR	Adjustment ch
1	VR2601	SL ch
2	VR2501	FL ch
3	VR2541	C ch
4	VR2521	FR ch
5	VR2621	SR ch



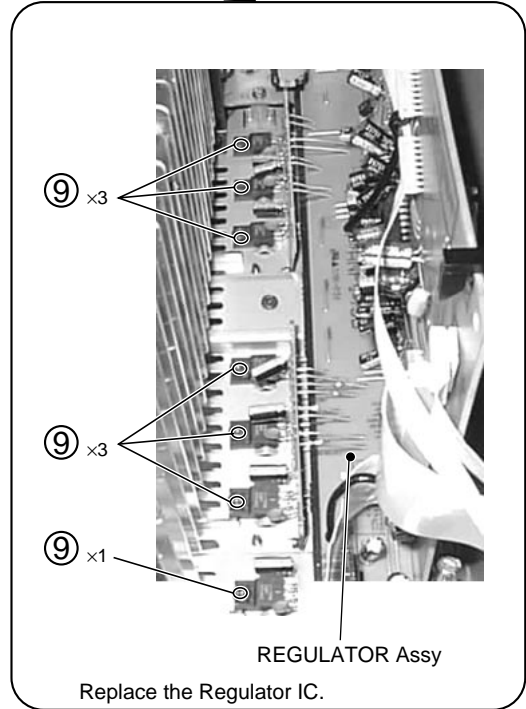
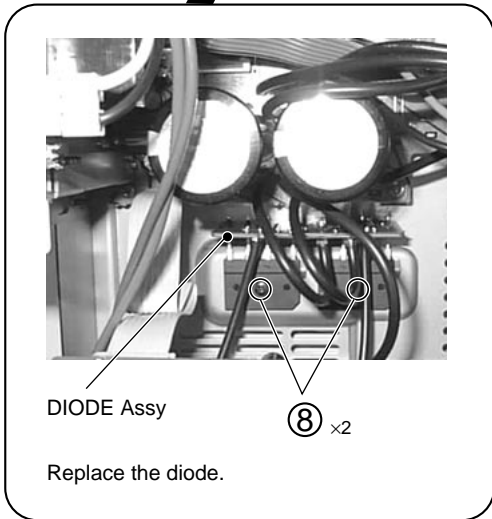
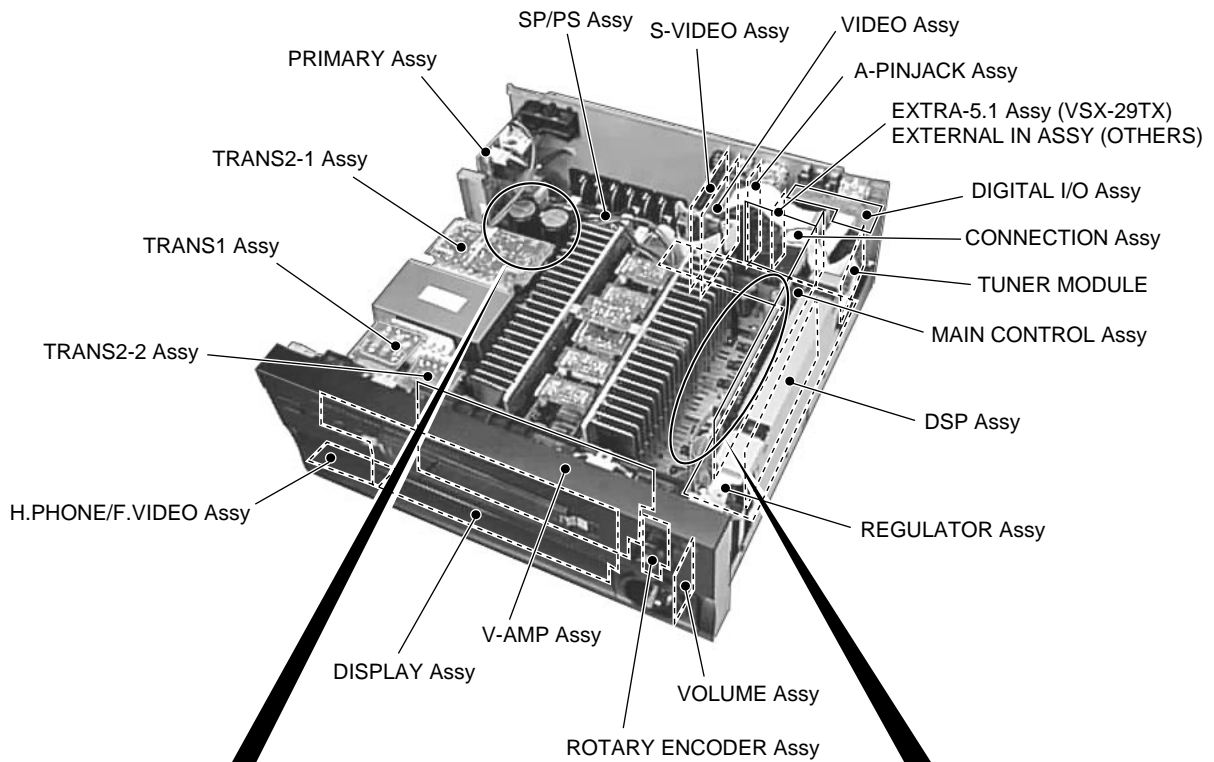
7. GENERAL INFORMATION

7.1 DISASSEMBLY

■ C-AMP-N and C-AMP-P ASSYS



■ DIODE, REGULATOR and Other ASSYS



VSX-29TX, VSX-27TX, VSX-26TX, VSX-24TX, VSX-D908S

7.2 PARTS

7.2.1 IC

• The information shown in the list is basic information and may not correspond exactly to that shown in the schematic diagrams.

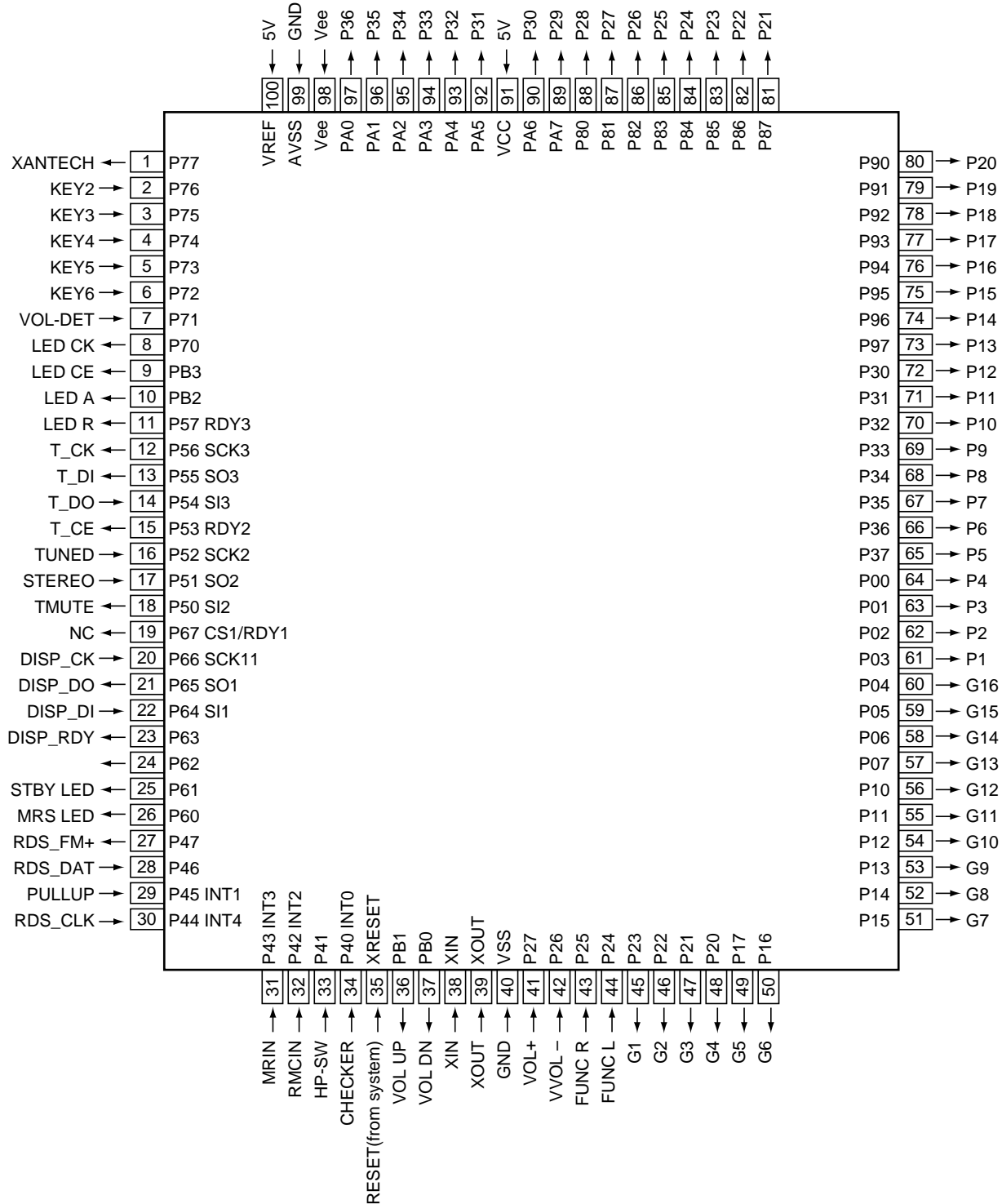
•List of IC

PD5507A, PD5506A

■ PD5507A (DISPLAY ASSY : IC7001)

• Display Control IC

• Pin Assignment (Top View)



● Pin Function

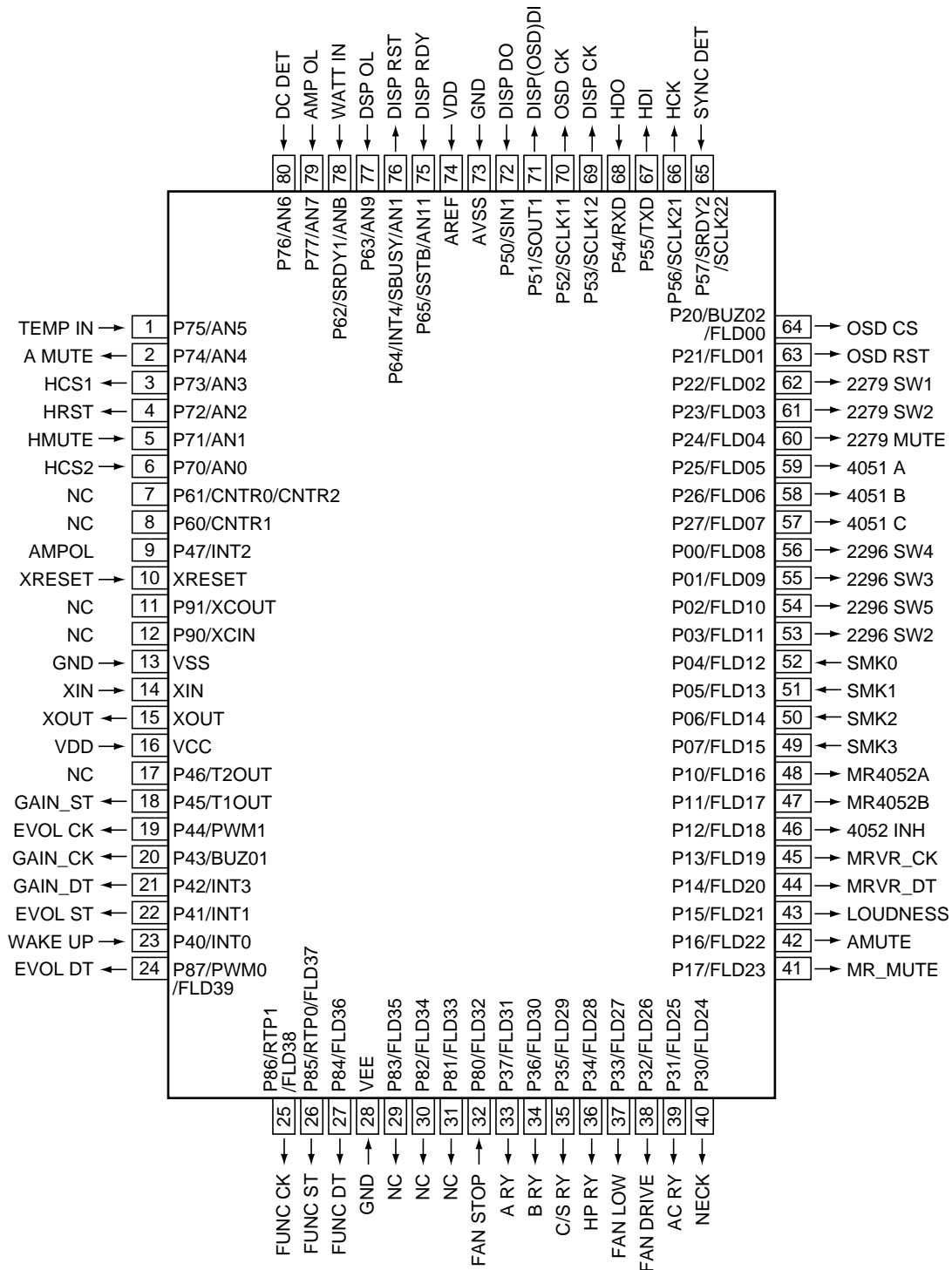
No.	Pin Name	I/O	Function	No.	Pin Name	I/O	Function
1	XANTECH	O	XANTECH ON/OFF	51	G7	O	Grid output 7
2	KEY 2	I	Key scan input 2	52	G8	O	Grid output 8
3	KEY 3	I	Key scan input 3	53	G9	O	Grid output 9
4	KEY 4	I	Key scan input 4	54	G10	O	Grid output 10
5	KEY 5	I	Key scan input 5	55	G11	O	Grid output 11
6	KEY 6	I	Key scan input 6	56	G12	O	Grid output 12
7	VOL-DET	I	Detection of volume position	57	G13	O	Grid output 13
8	LED CKL	O	Clock for IC7071 M66311	58	G14	O	Grid output 14
9	LED OE	O	Output enable for IC7071 M66311	59	G15	O	Grid output 15
10	LED A	O	Data for IC7071 M66311	60	G16	O	Grid output 16
11	LED R	O	Reset for IC7071 M66311	61	S1	O	Segment output 1
12	T-CK	O	Clock for tuner module	62	S2	O	Segment output 2
13	T-DI	O	Data for tuner module	63	S3	O	Segment output 3
14	T-DO	I	Data from tuner module	64	S4	O	Segment output 4
15	T-CE	O	Chip enable for tuner module	65	S5	O	Segment output 5
16	TUNED	I	Tuned data from tuner module	66	S6	O	Segment output 6
17	STEREO	I	Stereo tuned data from tuner module	67	S7	O	Segment output 7
18	T-MUTE	O	Tuner mute ON/OFF	68	S8	O	Segment output 8
19	NC	O	Open	69	S9	O	Segment output 9
20	DISP CK	I	Clock from IC901 MAIN U-COM	70	S10	O	Segment output 10
21	DISP DO	O	Data for IC901 MAIN U-COM	71	S11	O	Segment output 11
22	DISP DI	I	Data from IC901 MAIN U-COM	72	S12	O	Segment output 12
23	DISP RDY	O	Data request for IC901 MAIN U-COM	73	S13	O	Segment output 13
24	NC	-	Open	74	S14	O	Segment output 14
25	STBY LED	O	Standby LED	75	S15	O	Segment output 15
26	MRS LED	O	Sub room LED (MR&S model), EON LED (RDS model)	76	S16	O	Segment output 16
27	RDS FM+	-	VDD for IC7401 BU1923 (RDS model only)	77	S17	O	Segment output 17
28	RDS DAT	O	Data for IC7401 BU1923 (RDS model only)	78	S18	O	Segment output 18
29	NC	I	(pull-up)	79	S19	O	Segment output 19
30	RDS CLK	I	Clock for IC7401 BU1923 (RDS model only)	80	S20	O	Segment output 20
31	MR IN	I	Sub room remote control (MR&S, MR model only)	81	S21	O	Segment output 21
32	RMC IN	I	Remote control	82	S22	O	Segment output 22
33	HP-SW	I	Headphone connect detect	83	S23	O	Segment output 23
34	NC	I	For unit check test mode detection	84	S24	O	Segment output 24
35	RESET	I	Reset	85	S25	O	Segment output 25
36	VOL/UP	O	Control for VOIL UP	86	S26	O	Segment output 26
37	VOL/DN	O	Control for VOL DOWN	87	S27	O	Segment output 27
38	XIN	-	Connect a 7.2MHz oscillator	88	S28	O	Segment output 28
39	XOUT	-		89	S29	O	Segment output 29
40	VSS	-	GND	90	S30	O	Segment output 30
41	VOL+	I	Rotary encoder signal +	91	VCC	-	Power supply +5V
42	VOL-	I	Rotary encoder signal -	92	S31	O	Segment output 31
43	FUNC/R	I	Rotary encoder signal R	93	S32	O	Segment output 32
44	FUNC/L	I	Rotary encoder signal L	94	S33	O	Segment output 33
45	G1	O	Grid output 1	95	S34	O	Segment output 34
46	G2	O	Grid output 2	96	S35	O	Segment output 35
47	G3	O	Grid output 3	97	S36	O	Segment output 36
48	G4	O	Grid output 4	98	VEE	-	Power supply 5V
49	G5	O	Grid output 5	99	AVSS	-	GND
50	G6	O	Grid output 6	100	VREF	-	Reference voltage 5V

VSX-29TX, VSX-27TX, VSX-26TX, VSX-24TX, VSX-D908S

PD5506A (MAIN CONTROL ASSY : IC901)

• Main Control IC

• Pin Assignment (Top View)



VSX-29TX, VSX-27TX, VSX-26TX, VSX-24TX, VSX-D908S

● Pin Function

No.	Pin Name	I/O	Function	No.	Pin Name	I/O	Function
1	TEMP IN	I/O	O/open (KU,J,SD), I/Fan temperature A/D input (other)	41	MR MUTE	O	Audio mute ON/OFF for sub room (MR&S, MR model only)
2	A MUTE	O	Audio mute ON/OFF	42	A MUTE2	O	Audio preout mute ON/OFF
3	DSP CS1	O	Chip select for IC9501 DSP U-COM	43	LOUD	O	Loudness ON/OFF
4	DSP RST	O	Reset for IC9501 DSP U-COM	44	MR-V DT	O	Data for IC110 M62429FP control (MR&S model only)
5	DSP MUTE	I	Mute request from IC9501 DSP U-COM	45	MR-V CK	O	Clock for IC110 M62429FP control (MR&S model only)
6	DSP CS2	I	Chip select from IC9501 DSP U-COM	46	4052 INH	O	Inhibit for IC102 BU4052BCF control (MR&S model only)
7	NC	O	Open	47	4052 B	O	Control for IC102 BU4052BCF (MR&S model only)
8	NC	O	Open	48	4052 A		
9	AMPOL	I	Amp Overload detect	49	SIMUKE 3	I	SIMUKE (pull-up or down)
10	RESET	I	Reset	50	SIMUKE 2		
11	NC	O	Open	51	SIMUKE 1		
12	NC	O	Open	52	SIMUKE 0		
13	GND	-	GND	53	2296-2	O	Control for IC701, 801, 802 NJM2296M
14	XIN	I	Connect a 4.19MHz oscillator	54	2296-5		
15	XOUT	O		55	2296-3		
16	VDD	-		Power supply +5V	56		
17	NC	O	Open	57	4051-C	O	Control for IC831 BU4051BCF
18	ST3	O	Strobe for IC107 TC9163F control	58	4051-B		
19	CK2	O	Clock for IC108 TC9482N control	59	4051-A		
20	CK3	O	Clock for IC107 TC9163F control	60	2279-M	O	Control for IC731 NJM2279M (MR&S model only)
21	DT3	O	Data for IC107 TC9163F control	61	2279-2		
22	ST2	O	Strobe for IC108 TC9482N control	62	2279-1		
23	W.UP	I	AC pulse input	63	OSD RST	O	Reset for IC752 LC74782M-9011
24	DT2	O	Data for IC108 TC9482N control	64	OSD CS	O	Chip select for IC752 LC74782M-9011
25	CK1	O	Clock for IC101 TC9274N and IC104 TC9163F control	65	SYNC DET	I	Detection of synchronizing signal
26	ST1	O	Strobe for IC101 TC9274N and IC104 TC9163F control	66	DSP HCK	O	Clock for IC9501 DSP U-COM
27	DT1	O	Data for IC101 TC9274N and IC104 TC9163F control	67	DSP HDI	O	Data for IC9501 DSP U-COM
28	GND	-	GND	68	DSP HDO	I	Data from IC9501 DSP U-COM
29	NC	O	Open	69	DISP CK	O	Clock for IC7001 DISP U-COM
30	NC	O	Open	70	OSD CK	O	Clock for IC752 LC74782M-9011
31	NC	O	Open	71	DISP DI	O	Data for IC7001 DISP U-COM
32	FAN STOP	I/O	O/Open (KU,J,SD), I/Fan stop detector (other)	72	DISP DO	I	Data from IC7001 DISP U-COM
33	A RY	O	SP A relay ON/OFF	73	GND	-	GND
34	B RY	O	SP B relay ON/OFF	74	VDD	-	Power supply +5V
35	C/S RY	O	SP C/S relay ON/OFF	75	DISP RDY	I	Data request from IC7001 DISP U-COM
36	HP RY	O	Headphone relay ON/OFF	76	DISP RST	O	Reset for IC7001 DISP U-COM
37	FAN LOW	O	Open (KU,J,SD), Fan low (other)	77	DSP OL	I	DSP overload detect, A/D input
38	FAN DRIVE	O	Open (KU,J,SD), Fan drive (other)	78	WATT IN	I/O	O/Open (KU,J,SD), I/Fan wattage input, A/D input (other)
39	AC RY	O	AC relay ON/OFF	79	AMP OL	I	Amp overload detect, A/D input
40	NECK	O	Neck ON/OFF (24,26,908,938 only)	80	DC DET	I	Detection of amp power error, A/D input

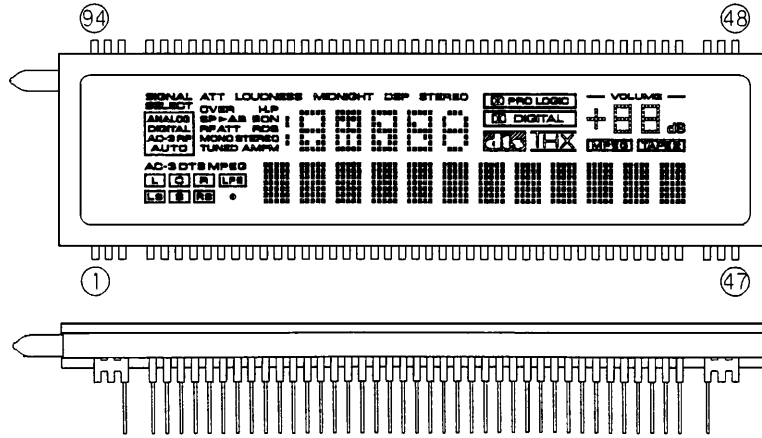
VSX-29TX, VSX-27TX, VSX-26TX, VSX-24TX, VSX-D908S

7.2.2 DISPLAY

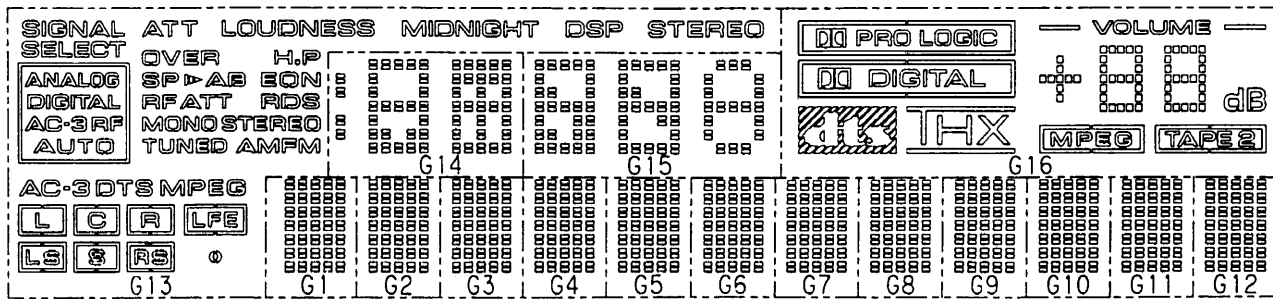
■ AAV7063 (DISPLAY ASSY :V7001)

- FL Indicator Tube

• Pin Assignment

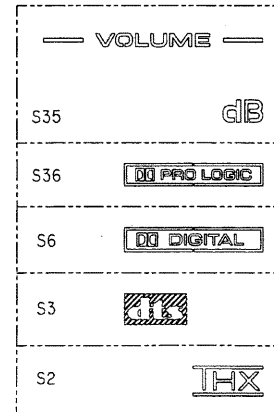
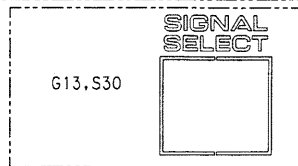


• Grid Assignment



G1~G12				G14				G15																															
S1	S2	S3	S4	S5	S32	S36	S36	S21	S35	S34	S34	S33	S36	S35	S35	S35	S34	S26	S33	S33	S33	S1	S21	S21	S21														
S6	S7	S8	S9	S10	S29	S31	S30	S26	S27	S28	S25	S32	S31	S29	S28	S13	S13	S13	S13	S12	S11	S12	S13	S14	S15	S29	S27	S28	S13	S12	S13	S12							
S11	S12	S13	S14	S15	S29	S31	S30	S26	S24	S25	S20	S19	S18	S19	S17	S20	S19	S24	S19	S18	S26	S17	S23	S17	S16	S22	S25	S25	S25	S22	S16	S17	S18	S19	S20				
S16	S17	S18	S19	S20	S32	S23	S22	S23	S21	S20	S19	S18	S19	S17	S20	S19	S24	S19	S18	S26	S17	S23	S17	S16	S22	S25	S25	S25	S22	S16	S17	S18	S19	S20					
S21	S22	S23	S24	S25	S29	S16	S15	S14	S28	S13	S15	S30	S14	S7	S27	S8	S12	S12	S13	S26	S27	S28	S29	S30	S29	S12	S21	S21	S11	S10	S28	S9	S11	S10	S9	S7	S8	S12	S13
S26	S27	S28	S29	S30	S29	S12	S21	S21	S11	S10	S28	S9	S11	S10	S9	S7	S8	S12	S13	S26	S27	S28	S29	S30	S29	S12	S21	S21	S11	S10	S28	S9	S11	S10	S9	S7	S8	S12	S13
S31	S32	S33	S34	S35	S8	S7	S6	S7	S5	S4	S3	S2	S3	S1	S6	S4	S5	S4	S3	S26	S2	S2	S2	S1	S21	S21	S21												

G16									
S29	S30	S30	S30	S31	S32	S33	S33	S33	S34
S18	S25	S26	S27	S28	S18	S25	S26	S27	S28
S17	S17	S17	S17	S17	S19	S20	S20	S20	S21
S18	S13	S14	S15	S16	S18	S13	S14	S15	S16
S18	S13	S14	S15	S16	S7	S8	S8	S8	S9
S10	S11	S11	S11	S12					



VSX-29TX, VSX-27TX, VSX-26TX, VSX-24TX, VSX-D908S

● Anode and Grid Connection

	G1~G12	G13	G14	G15	G16		G1~G12	G13	G14	G15	G16		G1~G12	G13	G14	G15	G16
S1	S1		S1	S1		S13	S13	DTS	S13	S13	S13	S25	S25	H.P	S25	S25	S25
S2	S2	FM	S2	S2	S2	S14	S14	AC-3 (DTS)	S14	S14	S14	S26	S26	AUTO	S26	S26	S26
S3	S3	AM	S3	S3	S3	S15	S15	RFATT	S15	S15	S15	S27	S27	AC-3RF	S27	S27	S27
S4	S4	MPEG	S4	S4	TAPE2	S16	S16	EON	S16	S16	S16	S28	S28	DIGITAL	S28	S28	S28
S5	S5	LFE	S5	S5	MPEG	S17	S17	(▶)A)B	S17	S17	S17	S29	S29	ANALOG	S29	S29	S29
S6	S6	STEREO	S6	S6	S6	S18	S18	(▶)A(B)	S18	S18	S18	S30	S30	S30	S30	S30	S30
S7	S7	TUNED	S7	S7	S7	S19	S19	Ⓢ	S19	S19	S19	S31	S31	ATT	S31	S31	S31
S8	S8	MONO	S8	S8	S8	S20	S20	Ls	S20	S20	S20	S32	S32	LOUDNESS	S32	S32	S32
S9	S9	R	S9	S9	S9	S21	S21	S	S21	S21	S21	S33	S33	MIDNIGHT	S33	S33	S33
S10	S10	C	S10	S10	S10	S22	S22	Rs	S22	S22	S22	S34	S34	DSP	S34	S34	S34
S11	S11	L	S11	S11	S11	S23	S23	SP▶	S23	S23	S23	S35	S35	(DSP) STEREO	S35	S35	S35
S12	S12	RDS	S12	S12	S12	S24	S24	OVER	S24	S24	S24	S36			S36	S36	S36

Pin No.	1	2	3	4	5	6	7	8	9	10	11	12	13	14	15	16	17	18	19	20	21	22	23	24
Assignment	NL	NL	F1	NP	D	IC	NL	NL	NL	NL	NL	NL	NL	NL	NL	NL	NL	NL	NL	NL	NL	NL	NL	NL

Pin No.	25	26	27	28	29	30	31	32	33	34	35	36	37	38	39	40	41	42	43	44	45	46	47
Assignment	NL	NL	S36	S35	S34	S33	S32	S31	S30	S29	NL	NL	NL	S28	S27	S26	S25	S24	H	NP	F2	NL	NL

Pin No.	48	49	50	51	52	53	54	55	56	57	58	59	60	61	62	63	64	65	66	67	68	69	70	71
Assignment	NL	NL	NL	NP	S23	S22	S21	S20	S19	S18	S17	S16	S15	S14	S13	S12	S11	S10	S9	S8	S7	S6	S5	S4

Pin No.	72	73	74	75	76	77	78	79	80	81	82	83	84	85	86	87	88	89	90	91	92	93	94
Assignment	S3	S2	S1	G16	G15	G14	G13	G12	G11	G10	G9	G8	G7	G6	G5	G4	G3	G2	G1	NP	NL	NL	NL

F1, F2 : Filament G1 to G16 : Grid S1 to S36 : Anode D : External connect to F1 NP: No Pin NL : Lead
 H : Power supply grid usually (ec level = Apply Typ 35.0 VDC) IC : Internal connection

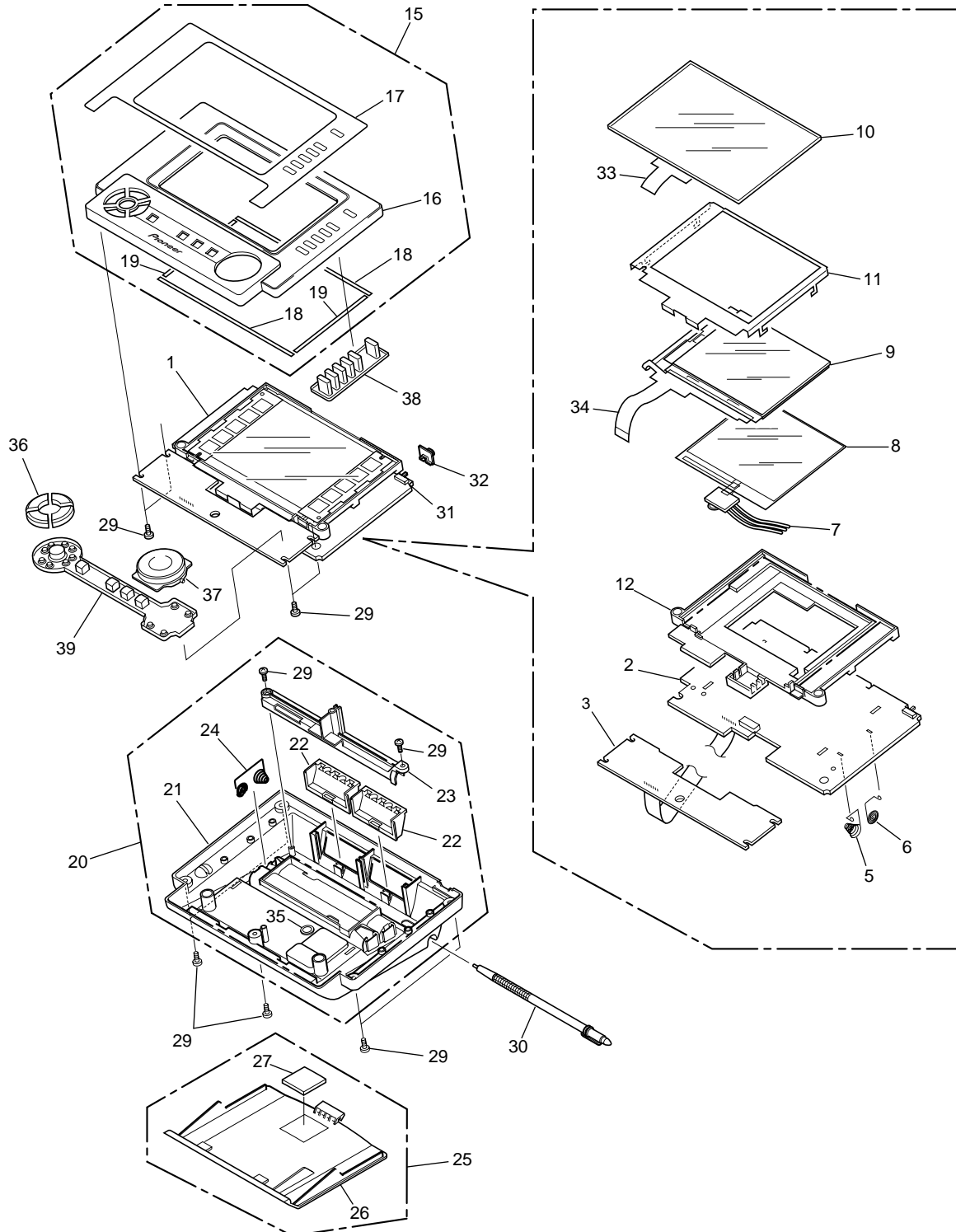
VSX-29TX, VSX-27TX, VSX-26TX, VSX-24TX, VSX-D908S

7.3 REMOTE CONTROL UNIT

7.3.1 AXD7216 (CU-VSX158)

7.3.1.1 EXPLODED VIEWS AND PARTS LIST

- NOTES:
- Parts marked by "NSP" are generally unavailable because they are not in our Master Spare Parts List.
 - The Δ mark found on some component parts indicates the importance of the safety factor of the part. Therefore, when replacing, be sure to use parts of identical designation.
 - Screws adjacent to \blacktriangledown mark on the product are used for disassembly.



● PARTS LIST

Mark	No.	Description	Part No.
	1	PWB Assy	RRC4-7251-01
	2	PCB Assy	AZC7296
	3	•••••	
	4	•••••	
	5	Terminal A	411RRC15801R
	6	Terminal B	411RRC15901R
	7	Jumper Cable	E-AA1446-001
	8	EL Module	AZC7294
	9	LCD Module	AZC7295
	10	Touch Panel	NTX01005701R
	11	Frame	501RRC01901R
	12	LCD Holder	AZN7787
	13	•••••	
	14	•••••	
	15	Upper Case Assy	RRC4-7251-02
	16	Case A	AZN7783
	17	Name Plate	AZA7344
	18	Cushion A	701RRC04801R
	19	Cushion B	701RRC04901R
	20	Bottom Case Assy	RRC4-7251-03
	21	Case B	AZN7784
	22	Filter	AZA7343
	23	Pen Holder	AZN7786
	24	Terminal	413RRC11201R
	25	Battery Cover Assy	RRC4-7251-04
	26	Battery Cover	AZN7785
	27	Cushion C	701RRC03501R
	28	•••••	
	29	Screw	AZB7144
	30	Touch Pen	E-AA1445-001
	31	Slide Switch	JSB1220-0111
	32	Slide Knob	AZA7347
	33	FPC Connector	CFP5519-0101
	34	FPC Connector	E-CP0535-008
	35	MT Switch	JPM1030-0801
	36	Key Top A	AZA7345
	37	Key Top B	AZA7346
	38	Rubber Sheet A	AZA7348
	39	Rubber Sheet B	AZA7349

VSX-29TX, VSX-27TX, VSX-26TX, VSX-24TX, VSX-D908S

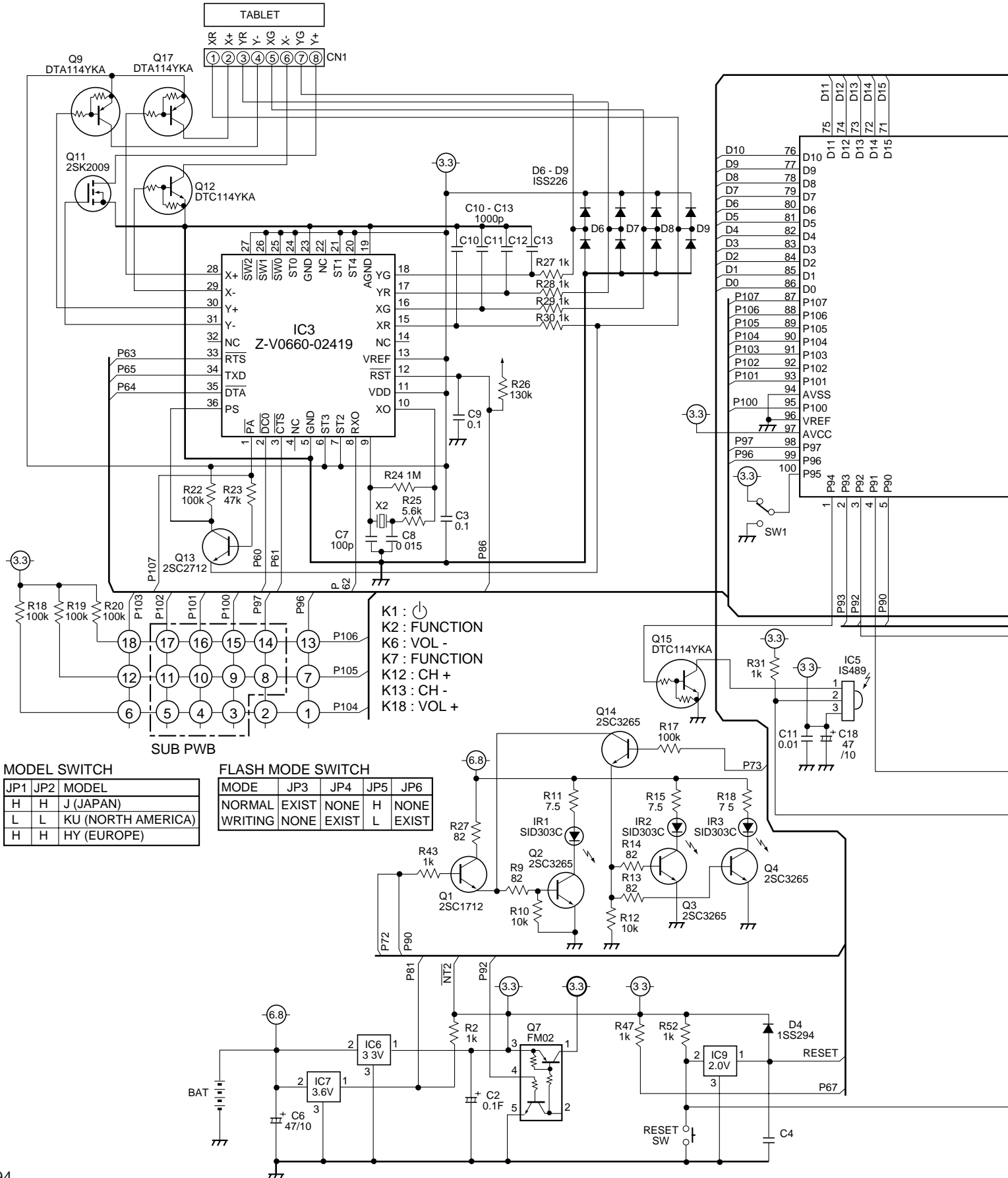
7.3.1.2 SCHEMATIC DIAGRAM

A

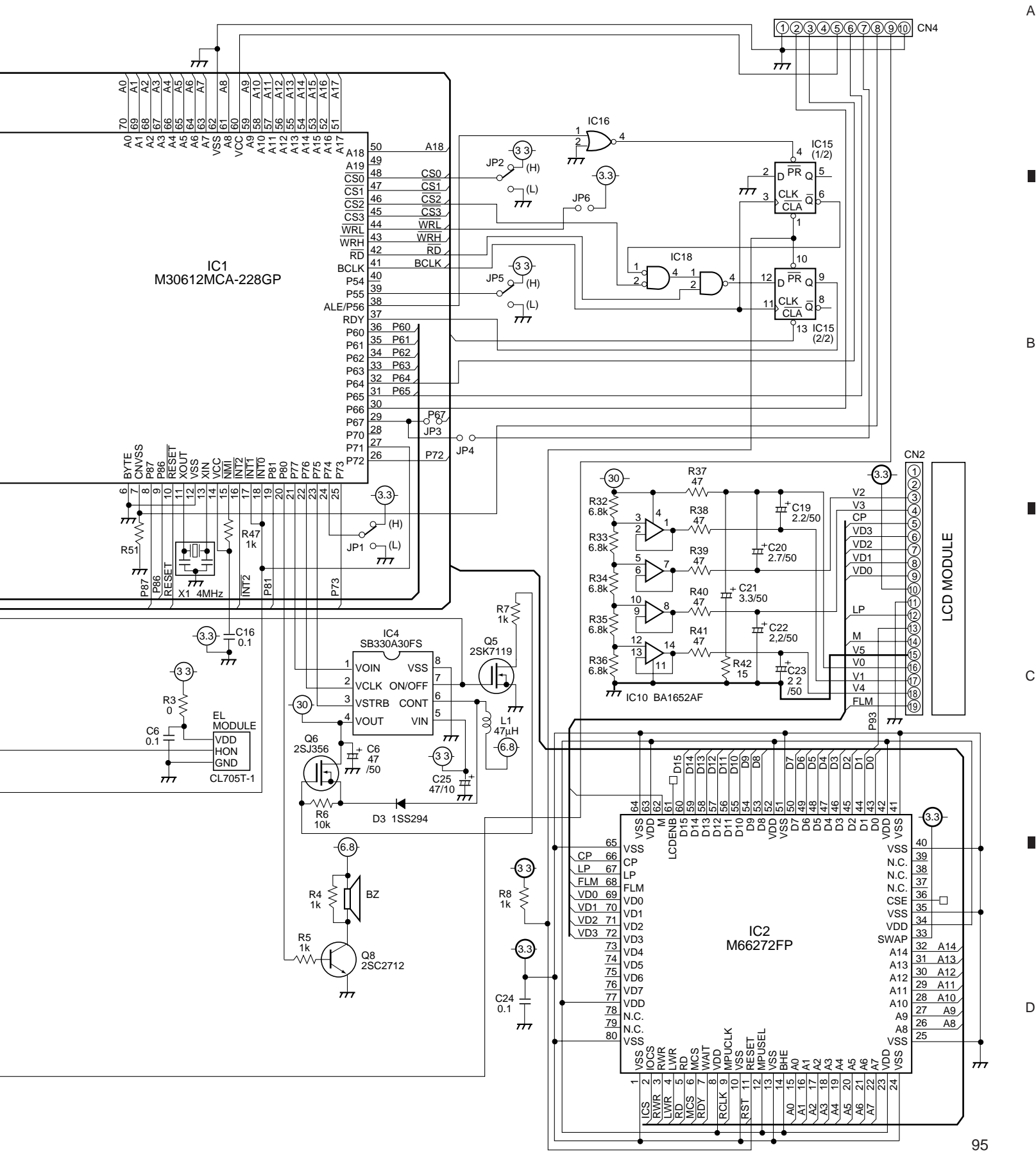
B

C

D



VSX-29TX, VSX-27TX, VSX-26TX, VSX-24TX, VSX-D908S



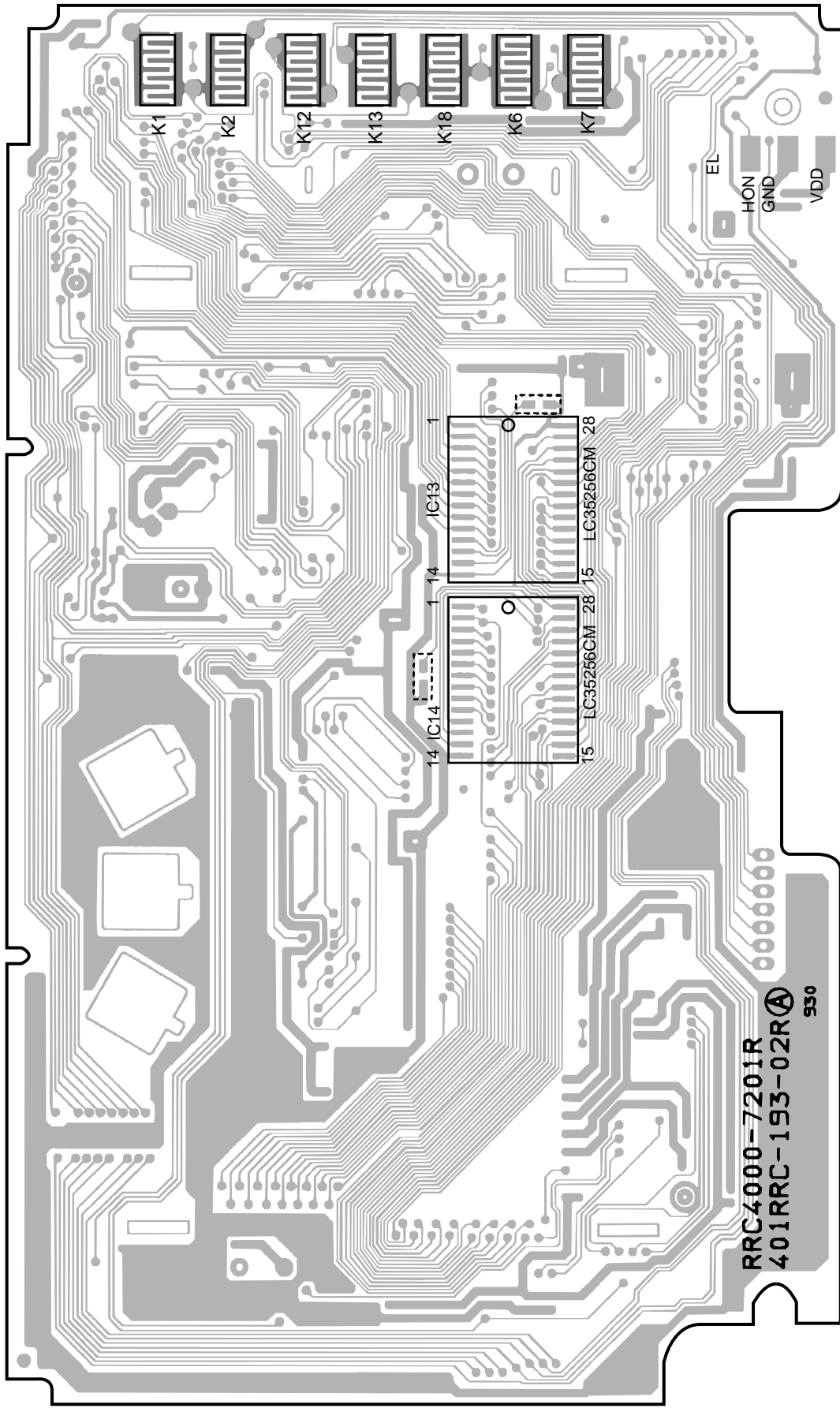
A

B

C

D

VSX-29TX, VSX-27TX, VSX-26TX,
VSX-24TX, VSX-D908S



SIDE B

RRC4000-7201R
401RRC-193-02R
930

1

2

3

4

A

B

C

D

1

2

3

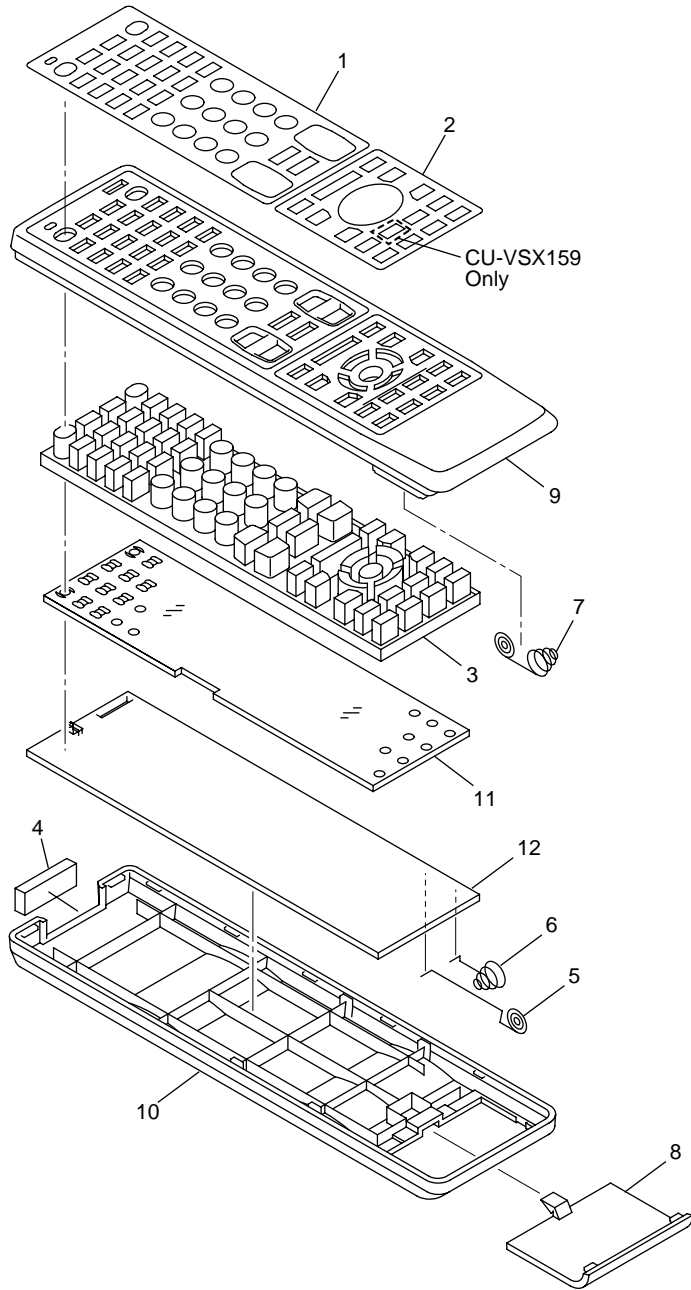
4

VSX-29TX, VSX-27TX, VSX-26TX, VSX-24TX, VSX-D908S

7.3.2 AXD7212 (CU-VSX159) and AXD7213 (CU-VSX161)

7.3.2.1 EXPLODED VIEWS AND PARTS LIST

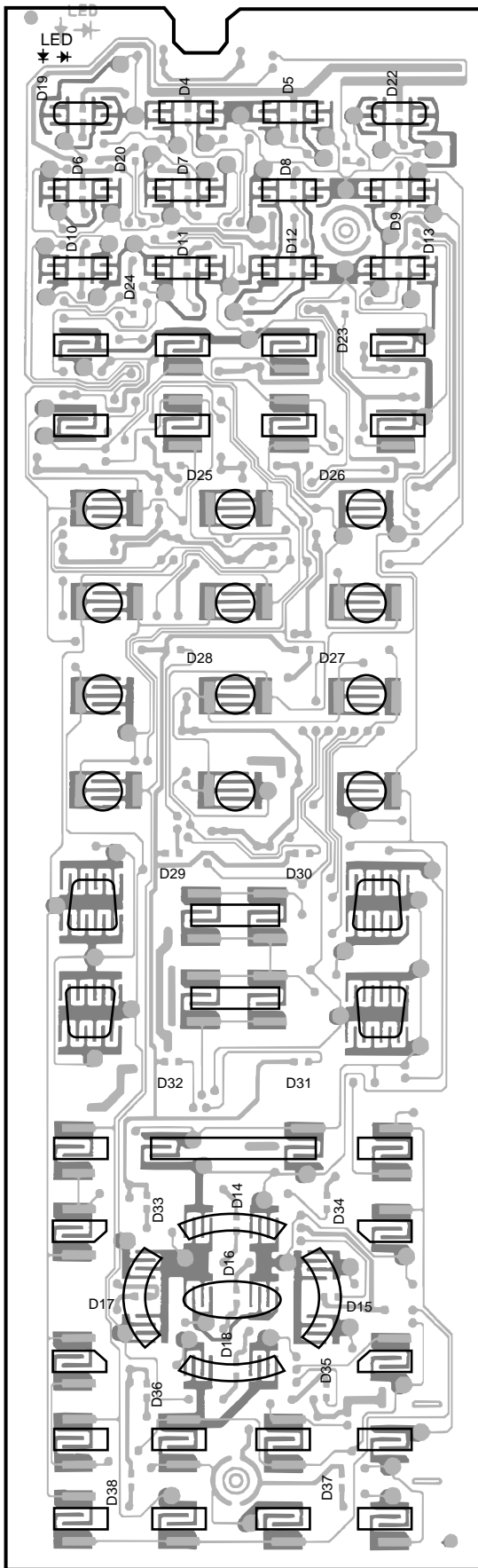
- NOTES:
- Parts marked by "NSP" are generally unavailable because they are not in our Master Spare Parts List.
 - The Δ mark found on some component parts indicates the importance of the safety factor of the part. Therefore, when replacing, be sure to use parts of identical designation.
 - Screws adjacent to \blacktriangledown mark on the product are used for disassembly.



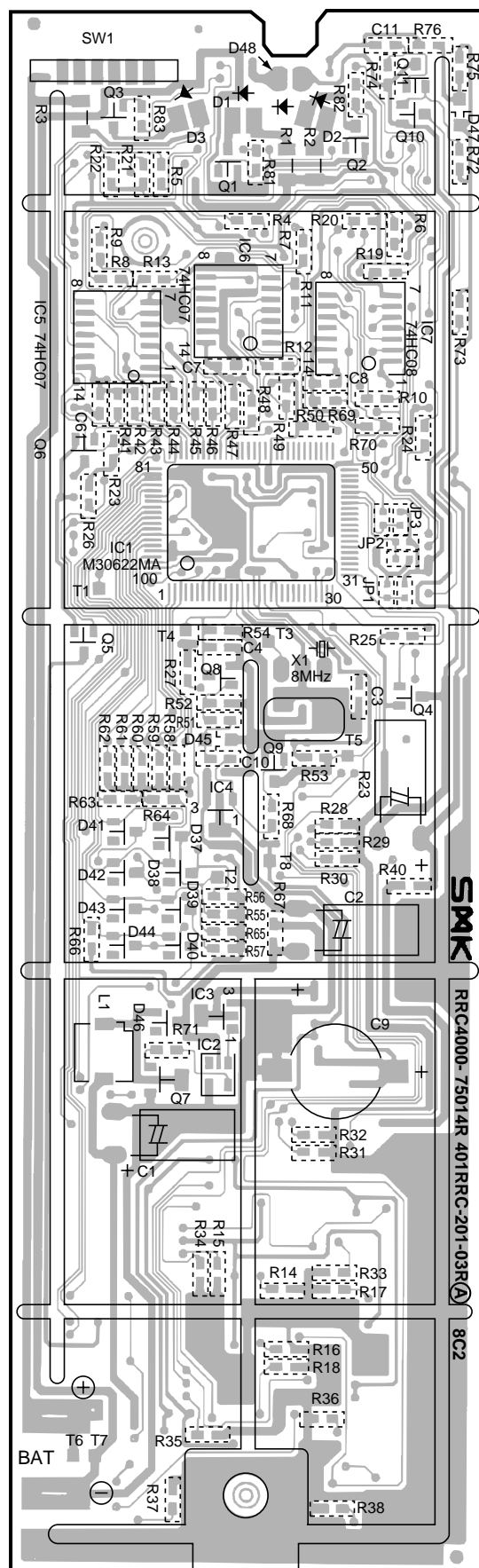
● PARTS LIST

Mark	No.	Description	Part No.
	1	Name Plate A	AZA7337
	2	Name Plate B (AXD7212)	AZA7338
	2	Name Plate B (AXD7213)	AZA7341
	3	Rubber Sheet (AXD7212)	AZA7339
	3	Rubber Sheet (AXD7213)	AZA7342
	4	Filter	AZA7340
	5	Terminal A (+)	AZB7141
	6	Terminal B (-)	AZB7142
	7	Spring	AZB7143
	8	Battery Cover	AZN2401
	9	Case (A)	AZN7780
	10	Case (B)	AZN7781
	11	Illumi Plate	AZN7782
NSP	12	PCB	AZW7254

7.3.2.2 PCB DIAGRAM



SIDE A



SIDE B

A
B
C
D

1

2

3

4

1

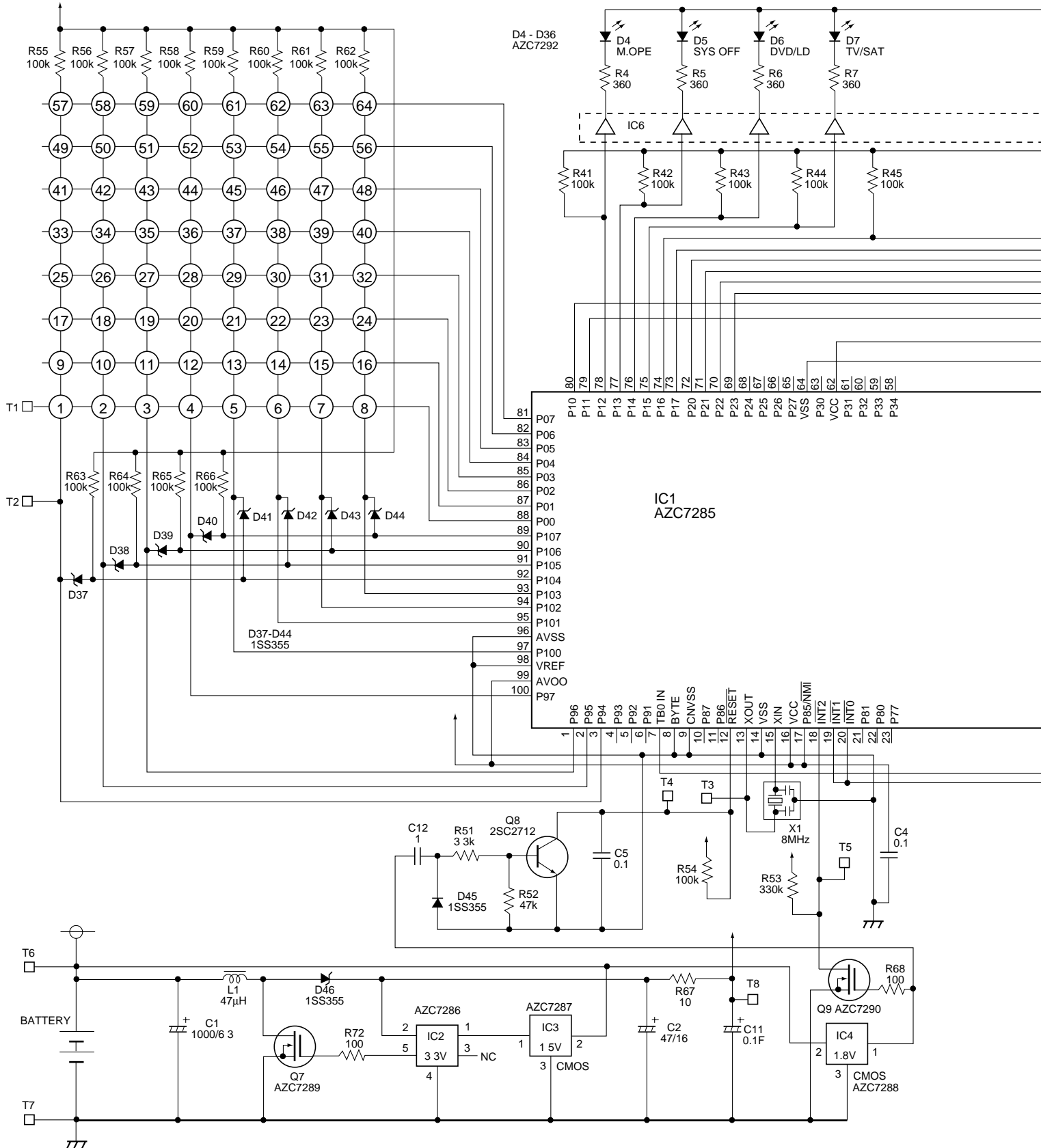
2

3

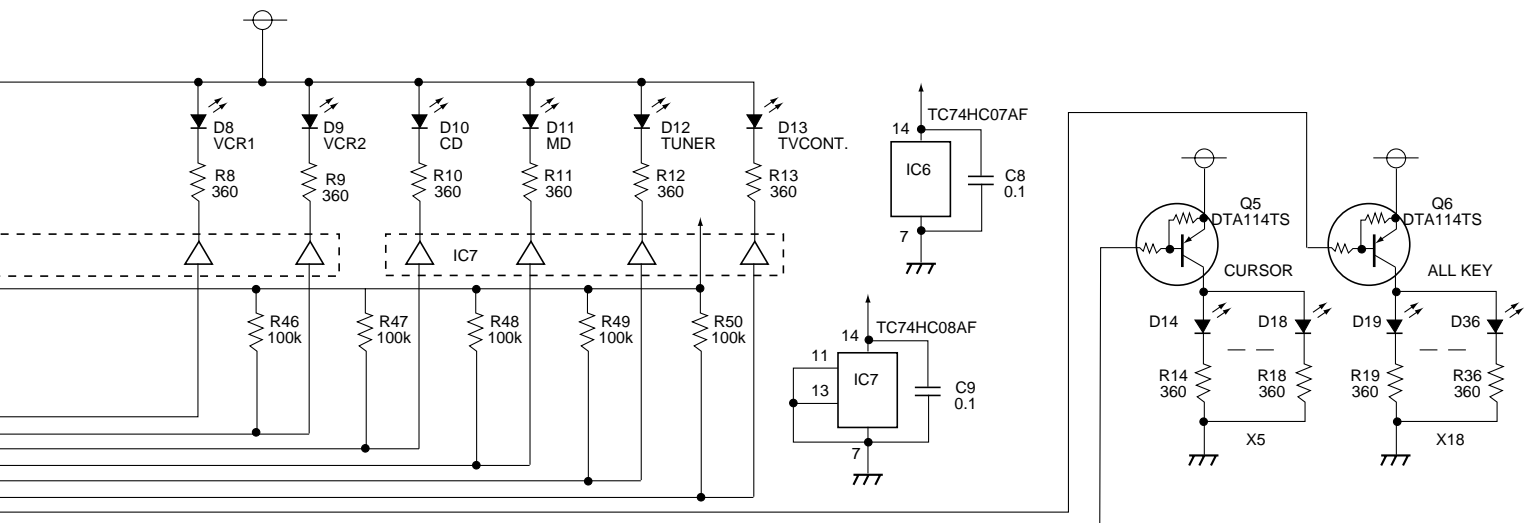
4

VSX-29TX, VSX-27TX, VSX-26TX, VSX-24TX, VSX-D908S

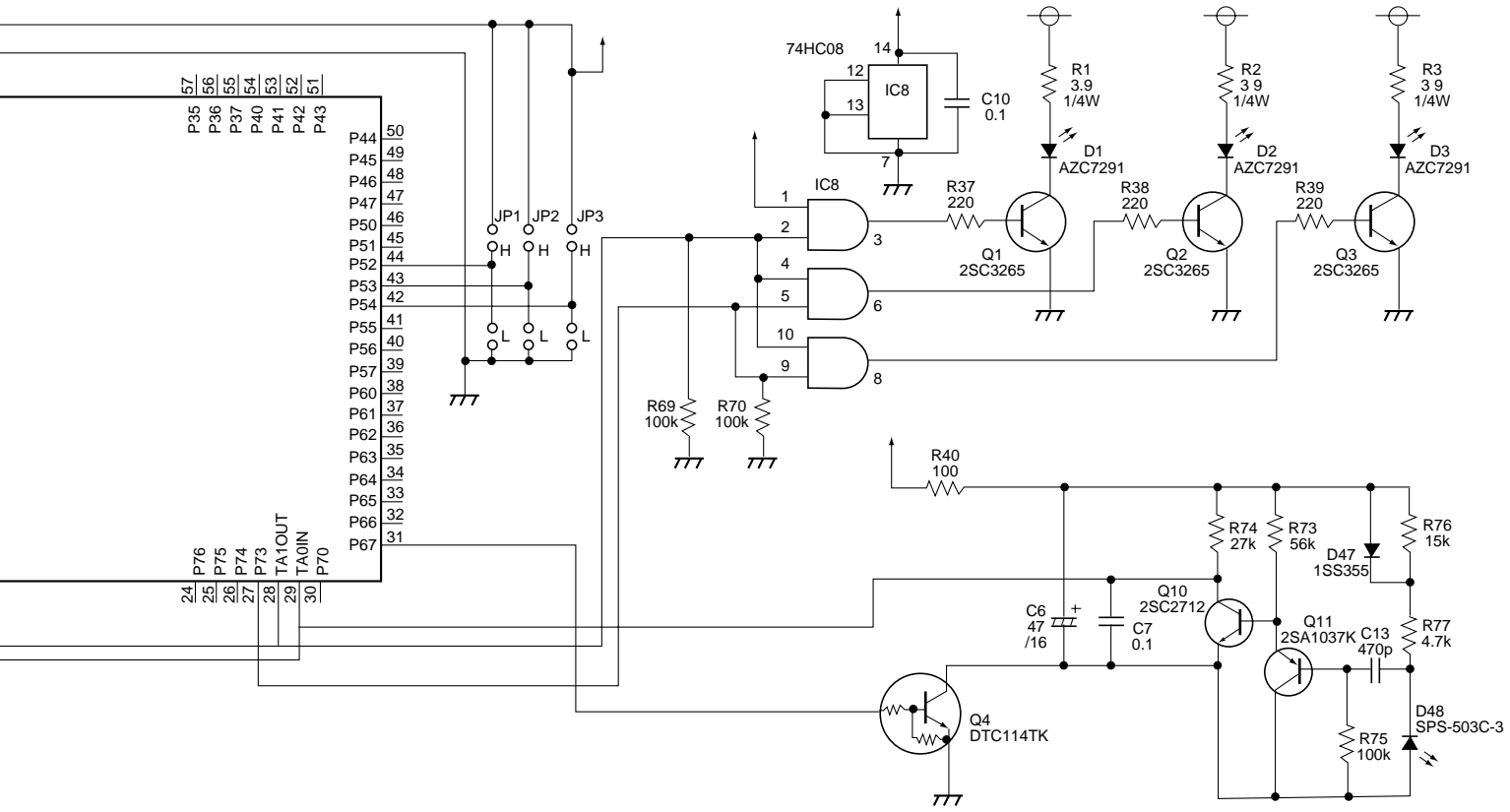
7.3.2.3 SCHEMATIC DIAGRAM



VSX-29TX, VSX-27TX, VSX-26TX, VSX-24TX, VSX-D908S



A



B

C

D

VSX-29TX, VSX-27TX, VSX-26TX, VSX-24TX, VSX-D908S

7.3.2.4 PCB PARTS LIST

NOTES: ● The Δ mark found on some component parts indicates the importance of the safety factor of the part. Therefore, when replacing, be sure to use parts of identical designation.

● When ordering resistors, first convert resistance values into code form as shown in the following examples.

Ex.1 When there are 2 effective digits (any digit apart from 0), such as 560 ohm and 47k ohm (tolerance is shown by J=5%, and K=10%).

560 Ω \rightarrow 56×10^1 \rightarrow 561 RD1/4PU 5 6 1 J

47k Ω \rightarrow 47×10^3 \rightarrow 473 RD1/4PU 4 7 3 J

0.5 Ω \rightarrow R50 RN2H R 5 0 K

1 Ω \rightarrow 1R0 RS1P 1 R 0 K

Ex.2 When there are 3 effective digits (such as in high precision metal film resistors).

5.62k Ω \rightarrow 562×10^1 \rightarrow 5621 RN1/4PC 5 6 2 1 F

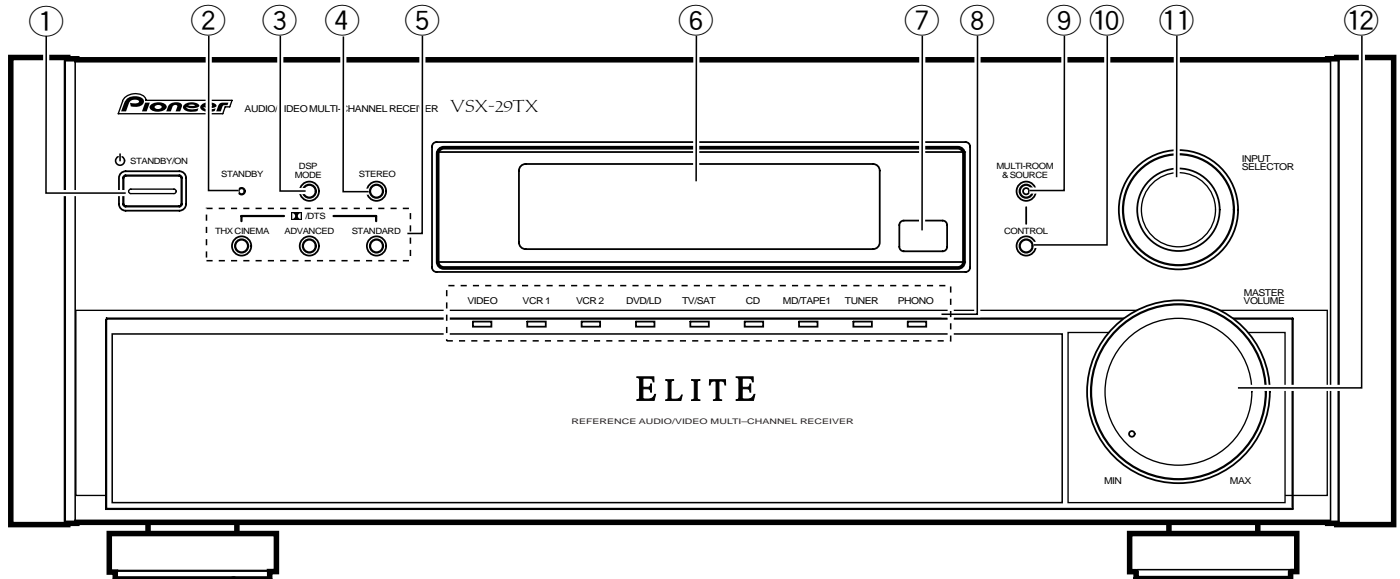
Mark	No.	Description	Part No.
	IC1	U-COM(M30662)	AZC7285
	IC2	VOLTAGE REG. 3.3V	AZC7286
	IC3	VOLTAGE DETECTOR 1.5	AZC7287
	IC4	VOLTAGE DETECTOR 1.8	AZC7288
	IC5, IC6		TC74HC07AF
	IC7		TC74HC08AF
	Q7	FET(2SK1959)	AZC7289
	Q9	FET(2SK2009)	AZC7290
	Q5, Q6		DTA114TS
	Q4		DTC114TK
	Q11		2SA1037K
	Q8, Q10		2SC2712
	Q1-Q3		2SC3265
	D1-D3	INFRARED LED	AZC7291
	D4-D36	ORANGE LED	AZC7292
	D48	PIN PHOTO DIODE	SPS-503C-3
	D37-D47		1SS355

8. PANEL FACILITIES AND SPECIFICATIONS

8.1 PANEL FACILITIES

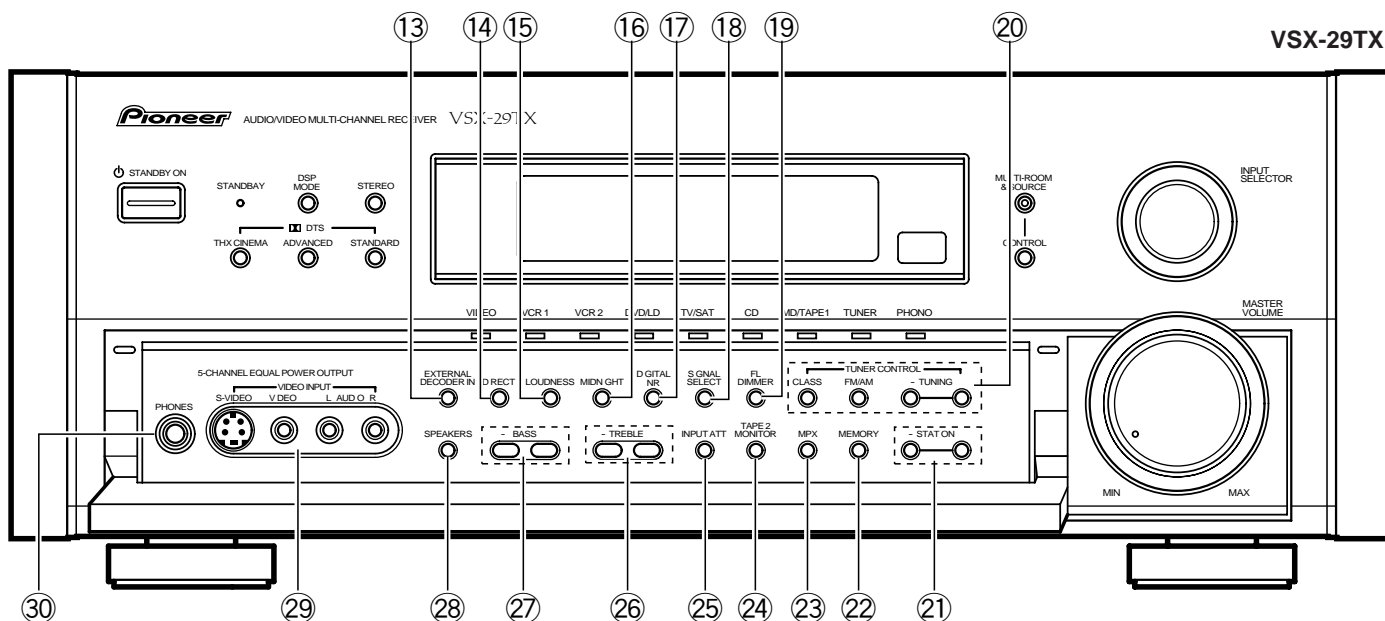
■ Front Section (VSX-29TX)

All the controls on the front panel are explained and/or referenced here. To open the front panel push gently on the lower third of the panel.



- ① **STANDBY/ON button**
Press to switch the receiver ON or into STANDBY mode.
- ② **STANDBY indicator**
Lights when the receiver is in STANDBY mode. (Please note that this receiver consumes a small amount of power (1.0 W) during the standby mode.)
- ③ **DSP MODE button**
Press repeatedly to select a DSP sound mode (HALL 1, HALL 2, JAZZ, DANCE, THEATER 1, or THEATER 2). Use these modes to produce surround sound from standard (two channel) stereo sources and create different listening environments.
- ④ **STEREO button**
Press to select the STEREO sound mode. In this mode, sound comes from the front (left and right) speakers only.
- ⑤ **DTS buttons**
THX CINEMA : Press to select the HOME THX CINEMA mode when listening to Dolby Digital, Dolby Pro Logic or DTS a variety of other sources.
ADVANCED THEATER : Press to select one of the four Advanced Theater modes.
STANDARD : Press for pure decoding of multi channel sources.
- ⑥ **Display**
- ⑦ **Remote sensor**
Point the remote control toward the remote sensor to operate the receiver.
- ⑧ **Source indicators**
Shows the source currently selected.
- ⑨ **MULTI-ROOM & SOURCE button**
Press to enable multi room operation (requires an optional PIONEER Multi-Room Remote Sensor Unit MR-100 or other IR receiver).
- ⑩ **CONTROL button**
Use to select the function or volume of the MULTI ROOM system.
- ⑪ **INPUT SELECTOR dial**
Turn to select a source component. The source indicators show the current component:
DVD/LD : DVD player or Laser Disc player.
TV/SAT : TV tuner or satellite tuner.
CD : Compact Disc player.
MD/TAPE 1 : Tape deck or Mini Disc recorder connected to MD/TAPE 1 inputs/outputs.
TUNER : The built-in tuner.
PHONO : Turntable.
VIDEO : Video camera (etc.) connected to the VIDEO INPUT on the front panel.
VCR 1 : Video cassette recorder connected to VCR 1 inputs.
VCR 2 : Video cassette recorder or other component connected to VCR 2 inputs.
- ⑫ **MASTER VOLUME**
Adjusts the overall receiver volume.
- ⑬ **EXTERNAL DECODER IN**
Use to hook up an external component that can decode other types of signals and input them into the VSX-29TX.
- ⑭ **DIRECT button**
Switches DIRECT playback on or off. Use to bypass the tone controls and channel level for the most accurate reproduction of a program source. It will automatically put the receiver in STEREO mode for the function being used for DIRECT playback.

VSX-29TX, VSX-27TX, VSX-26TX, VSX-24TX, VSX-D908S



15 **LOUDNESS** button

Switches the LOUDNESS mode on or off.

16 **MIDNIGHT** button

Switches the MIDNIGHT LISTENING mode on or off.

17 **DIGITAL NR** button

Switches the DIGITAL NR on or off (STEREO mode only).

18 **SIGNAL SELECT** button

Use to select the signal from the digital components. SIGNAL SELECT repeatedly to select one of the following:

ANALOG : To select an analog signal.

DIGITAL : To select a optical or coaxial digital signal.

AC-3 RF : To select an AC-3 RF signal.

AUTO : This is the default. If there are both analog and digital input signals, the receiver automatically selects the digital signal.

19 **FL DIMMER** button

Use to adjust the brightness of the main display.

20 **TUNER CONTROL** buttons

CLASS : Press repeatedly to switch the preset station classes.

FM/AM : Press to select the AM or FM band.

TUNING +/- : Use to manually tune to radio stations.

21 **STATION +/-** buttons

Use to choose programmed radio stations.

22 **MEMORY** button

Press to start the memorization of a preset station.

23 **MPX** button

Press to switch between auto stereo and MONO reception of FM broadcasts. When the broadcast signal is weak, selecting MONO will improve the sound quality.

24 **TAPE 2 MONITOR** button

Selects the tape deck (MD recorder, etc.) connected to the TAPE 2 MONITOR inputs/outputs. Allows monitoring of a recording as it's being made.

25 **INPUT ATT** button

Use to lower the input level of an analog signal that is too powerful, thus causing the receiver to distort (the overload indicator will light furiously).

26 **TREBLE (-/+)** button

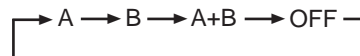
Use to adjust the high frequencies.

27 **BASS (-/+)** button

Use to adjust low frequencies.

28 **SPEAKERS (A/B)** buttons

A is the primary setting. It plays all speakers hooked up to the A system. A & B setting only plays the front speakers of both the A & B systems and the sub-woofer. Multi channel sources will be down-mixed to these speakers so no sound will be lost. B setting only plays the front speakers connected to the B system and multi channel sources will be down-mixed to these two speakers.



29 **VIDEO INPUT** jacks

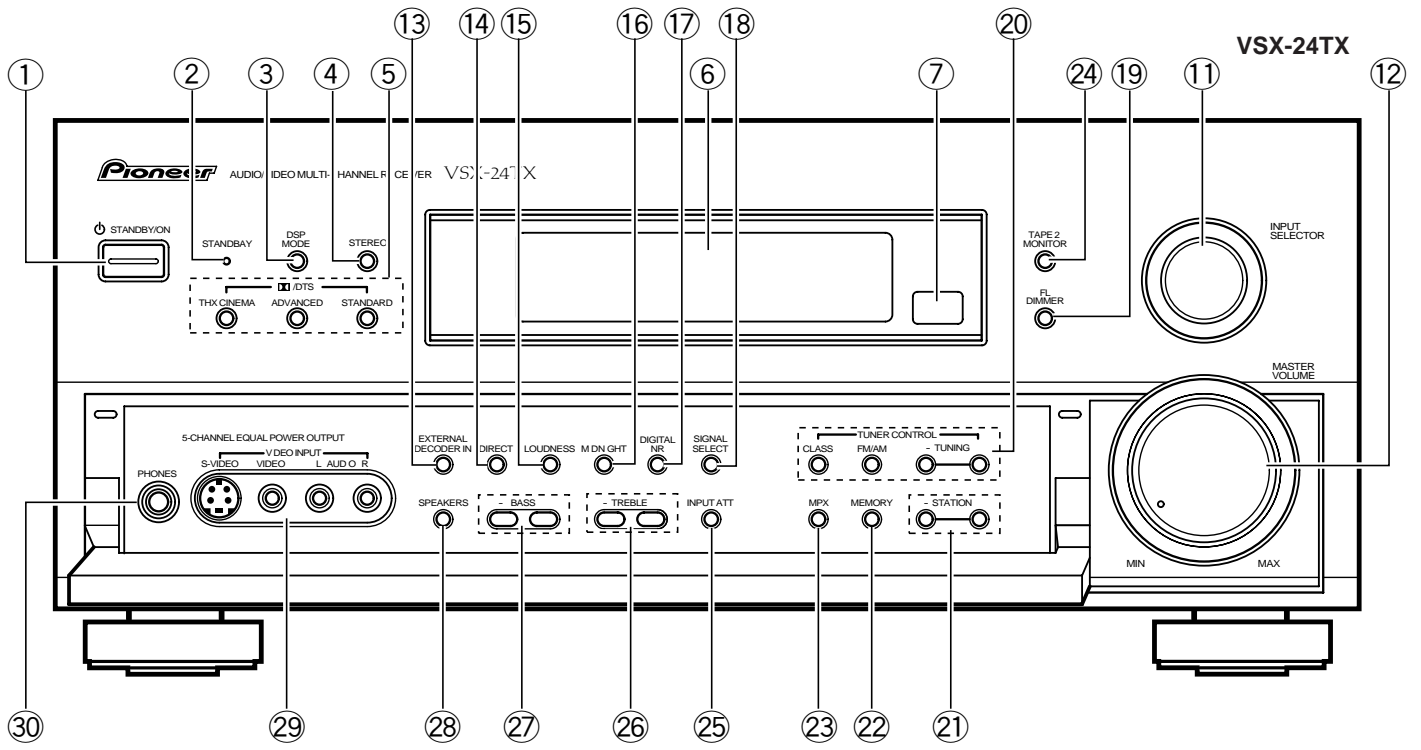
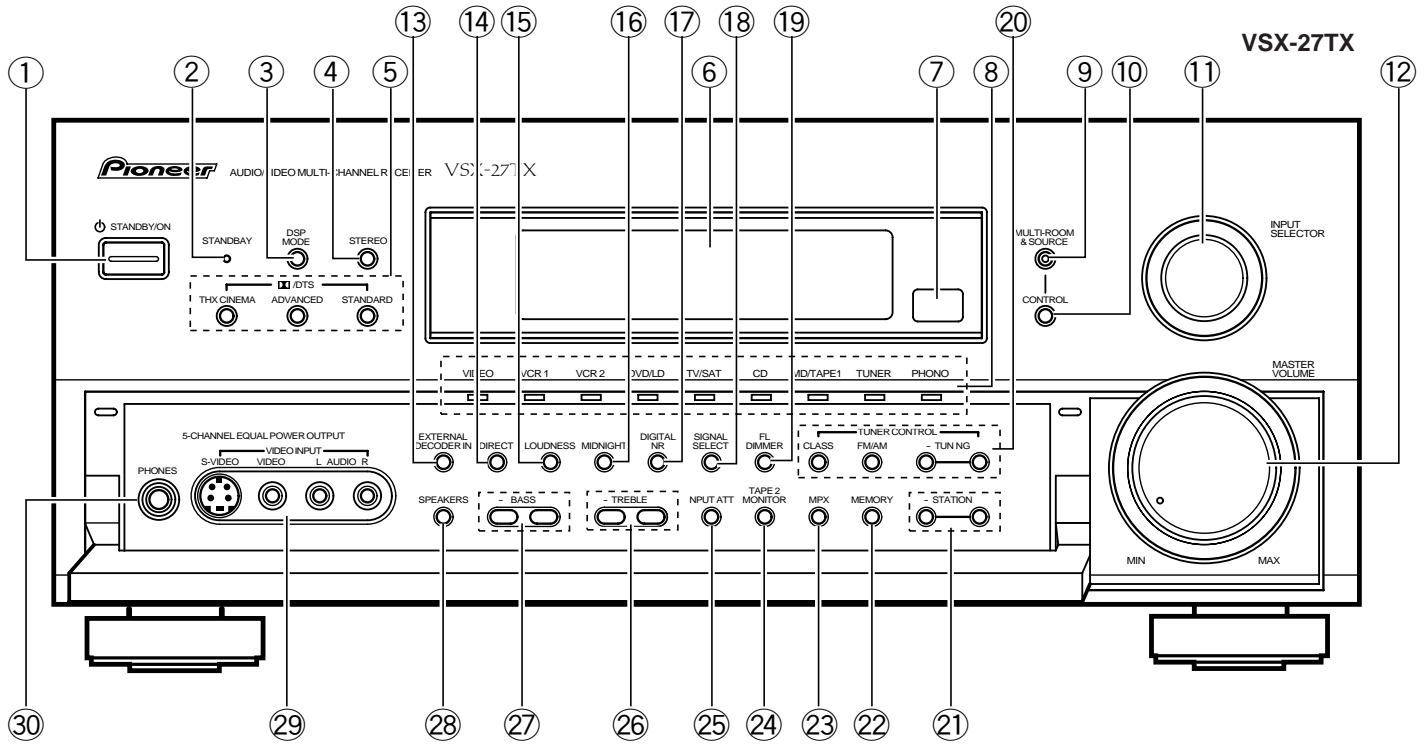
S-VIDEO : Video input for connecting a video camera (etc.), that has an S-Video out.

VIDEO / AUDIO (L/R) : Video input for connecting a video camera, etc. that has standard video/audio outputs.

30 **PHONES** jack

Connect headphones for private listening (no sound will be heard through the speakers)

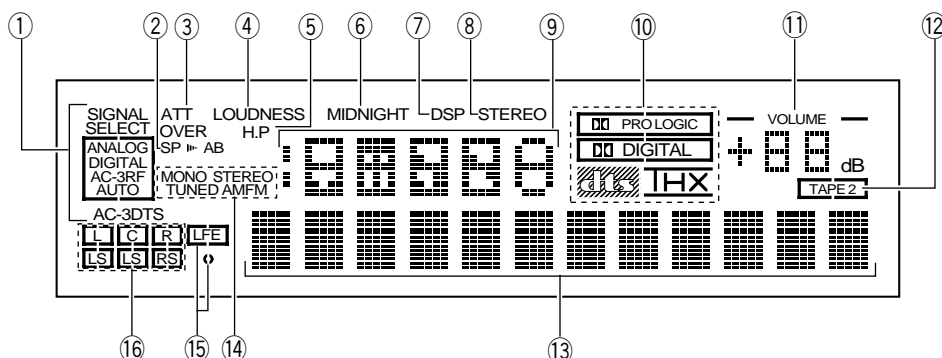
VSX-29TX, VSX-27TX, VSX-26TX, VSX-24TX, VSX-D908S



VSX-29TX, VSX-27TX, VSX-26TX, VSX-24TX, VSX-D908S

■ Display (VSX-29TX)

All the display information is explained and /or referenced here.



① SIGNAL SELECT indicators

Light to indicate the type of input signal selected for the current component (see "Front Panel", ⑱, SIGNAL SELECT).

ANALOG : Lights when analog signals are assigned.

DIGITAL : Lights when digital audio signals are selected. (DVD/LD, CD, MD/TAPE 1, TV/SAT, VCR 1, VCR 2)

AC-3 RF : Lights when AC-3 RF signals are assigned. (DVD/LD, TV/SAT, VCR 1, VCR 2)

AUTO : Lights when the receiver is set to select the input signal automatically. (DVD/LD, CD, MD/TAPE 1, TV/SAT, VCR 1, VCR 2)

AC-3 : Lights when a source with Dolby Digital signals is played.

DTS : Lights when a source with DTS audio signals is played.

② Speaker indicators

Light to indicate the current speaker system (see "Front Panel", ⑳, SPEAKERS (A/B)).

SP ▷ A : Lights when speaker system A is selected.

SP ▷ B : Lights when speaker system B is selected.

SP ▷ AB : Lights when speaker systems A & B are selected.

③ Analog level indicators

OVER : If "ANALOG" is selected in SIGNAL SELECT, this indicator lights to show that an excessively strong signal is being processed. When this occurs, press INPUT ATT on the front panel to attenuate (lower) the signal. Also, when "DIGITAL" is selected in SIGNAL SELECT, this indicator lights to show that a source containing an excessive amount of information is being processed.

ATT : Lights when INPUT ATT is used to reduce the level of the input signal (available in ANALOG mode only).

④ LOUDNESS indicator

Lights when the LOUDNESS mode is on.

⑤ H.P. (headphones)

Lights when headphones are connected to the PHONES jack (speakers A and B turn off automatically).

⑥ MIDNIGHT indicator

Lights when the MIDNIGHT LISTENING mode is on.

⑦ DSP indicator

Light when a DSP or Advanced Theater mode is selected.

⑧ STEREO indicator

Lights when a STEREO mode is selected.

⑨ Radio Frequency/Function indicator

Displays the function or the frequency of the current radio station.

⑩ Surround/dts mode indicators

DIGITAL : When the Surround/dts mode on the receiver is on, this indicator lights to indicate playback of a Dolby Digital signal. However, PRO LOGIC lights during 2 channel playback of Dolby Digital.

PRO LOGIC : When the Surround/dts mode on the receiver is on, this indicator lights during 2 channel playback. (Both B or A+B speaker systems turn off automatically when headphones are plugged.)

DTS : Lights when DTS signals are input.

HOME THX CINEMA : Lights when the HOME THX CINEMA mode is selected.

⑪ MASTER VOLUME indication

Displays current level of master volume.

⑫ TAPE 2 indicator

Lights when the TAPE 2 monitor is on.

⑬ Character display

Displays sound modes, general information, etc.

⑭ Tuner indicators

MONO : Lights when the tuner is set to receive FM broadcasts and when selected MPX mode.

STEREO : Lights when a FM stereo broadcast is received in the auto stereo mode.

TUNED : Lights when a broadcast is received.

AM/FM : Light to indicate the current band (FM or AM).

⑮ LFE indicator

LFE (Low Frequency Effects) indicator lights to indicate that the program source contains an LFE channel. The indicator under the LFE lights during actual playback of the LFE signals (LFE signals are not present in all parts of the soundtrack).

⑯ Program Format indicator

When a Dolby Digital or DTS signal is input, the following indicators light to show the channels being played back.

L : Left front^{*1*}, **C** : Center^{*1}, **R** : Right front^{*1*},

LS : Left surround^{*1}, **S** : Surround (mono)^{*2},

RS : Right surround^{*1}

*1: Indicates 5.1ch Dolby Digital or DTS playback.

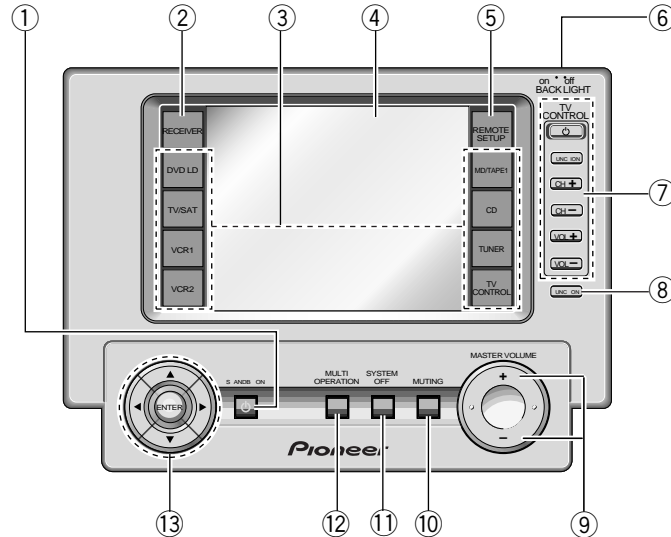
*2: Indicates Dolby Pro Logic playback.

Remote Control Unit (VSX-29TX)

These pages describe the buttons on the remote control used to operate the receiver. Since the screen on this LCD remote control changes when you select a different function, explanations of buttons for controlling other components/functions can be found in the sections for those components/functions.



To turn on the remote control touch it anywhere on the screen.



① **STANDBY/ON button**

Press to turn power of the receiver on or to STANDBY (off).

② **RECEIVER button**

Press to switch the remote control into receiver mode or to get receiver screens.

③ **Function buttons**

These buttons are the basic controls that switch the mode of the receiver and allow you to control your other components.

DVD/LD : Press to switch the remote control into DVD/LD mode.

TV/SAT : Press to switch the remote control into TV/SAT (satellite tuner) mode.

VCR 1 : Press to switch the remote control into VCR 1 mode.

VCR 2 : Press to switch the remote control into VCR 2 mode.

MD/TAPE 1 : Press to switch the remote control into MD/TAPE 1 mode.

CD : Press to switch the remote control into CD mode.

TUNER : Press to switch the remote control into TUNER mode.

TV CONTROL : Press so that the remote control can operate the TV CONTROL commands.

④ **REMOTE CONTROL screen**

⑤ **REMOTE SETUP button.**

Use to customize the remote control functions and the remote control itself.

⑥ **BACK LIGHT switch**

Switch the BACK LIGHT on or off.

⑦ **TV CONTROL buttons**

The following buttons are used to control the TV only and can be used once they are preset to control your TV.

POWER : Press to turn the power of the TV on/off.

FUNCTION : Press TV FUNC to select the TV for remote control operation.

CH +/- : Use these buttons to change the channel of the TV.

VOL +/- : Press to control the volume of the TV.

⑧ **FUNCTION button**

Press to select a source. The button will cycle through all the possible sources.

⑨ **MASTER VOLUME button**

Use to raise or lower the volume of the receiver.

⑩ **MUTE button**

Press to mute or restore the volume.

⑪ **SYSTEM OFF button**

This button turns off components in two ways. First, when pressed it will turn off all PIONEER components.

Secondly, any component that has programmed into the SYSTEM OFF settings will be turned off.

For example : If you programmed power off in the SYSTEM OFF settings for your TV and VCR, pressing the SYSTEM OFF button will turn off these components even if they are not PIONEER products.

⑫ **MULTI OPERATION button**

Use this button to start the MULTI OPERATION mode.

⑬ **Δ/▽/◀/▶/ENTER buttons**

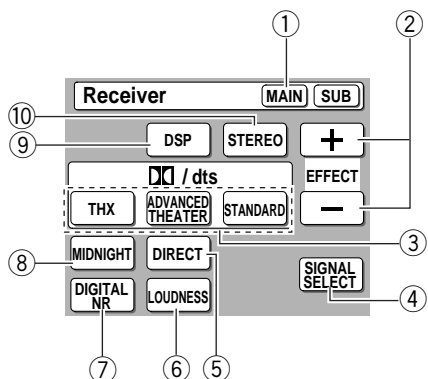
These buttons can be used for a variety of operations. In the SYSTEM SETUP menu, the Δ/▽ buttons can be used to adjust CHANNEL DELAY or CHANNEL LEVEL. The Δ/▽ buttons, pressed simultaneously, can be used to lock or unlock a setting.

These buttons are also used to control the DVD menu for the DVD remote control screen.

VSX-29TX, VSX-27TX, VSX-26TX, VSX-24TX, VSX-D908S

Basic Receiver LCD Screens

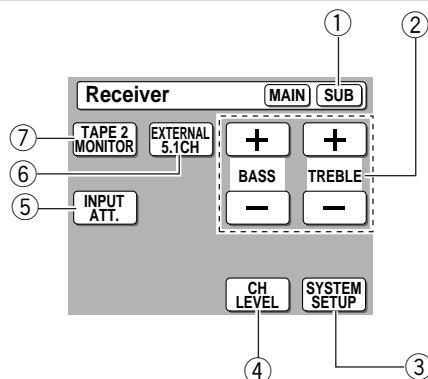
Receiver MAIN Screen



- ① **Receiver MAIN button**
Press this button to select the main receiver screen (above) when the remote control is on the sub receiver screen.
- ② **EFFECT +/- button**
Use these buttons to increase or decrease the amount of effect applied in a DSP or Advanced Theater mode. When the amount of effect is increased in a DSP/Advanced Theater mode the characteristics of that mode become stronger and more noticeable. The scale ranges from 10-90 with 70 as the default setting. First turn on the DSP/Advanced Theater mode you want (by pressing the DSP/Advanced Theater button until you get the mode) and then increase or decrease the amount of effect.
- ③ **Dolby / dts buttons**
Press these buttons to put the receiver in the selected surround sound mode. For more information on the modes
- ④ **SIGNAL SELECT button**
Press SIGNAL SELECT repeatedly to select one of the following:
ANALOG : To select an analog signal.
DIGITAL : To select a digital signal (DVD/LD, TV/SAT, CD, MD/TAPE 1, VCR 1, VCR 2).
AC-3 RF : To select an AC-3 RF signal (DVD/LD, TV/SAT, VCR 1, VCR 2).
AUTO : This is the default. If there are both analog and digital input signal, the receiver automatically selects digital.
- ⑤ **DIRECT button**
Switches DIRECT playback on or off. Use to bypass the tone controls and channel level for the most accurate reproduction of a program source. It will automatically put the receiver in STEREO mode for the function being used for DIRECT playback.
- ⑥ **LOUDNESS button**
Switches the LOUDNESS mode on or off.
- ⑦ **DIGITAL NR button**
Switches the DIGITAL NR on or off (STEREO mode only).

- ⑧ **MIDNIGHT button**
Switches the MIDNIGHT LISTENING mode on or off.
- ⑨ **DSP button**
Press repeatedly to select a DSP sound mode.
- ⑩ **STEREO button**
Press to select the STEREO sound mode. In this mode, sound comes from the front (left and right) speakers only.

Receiver SUB Screen

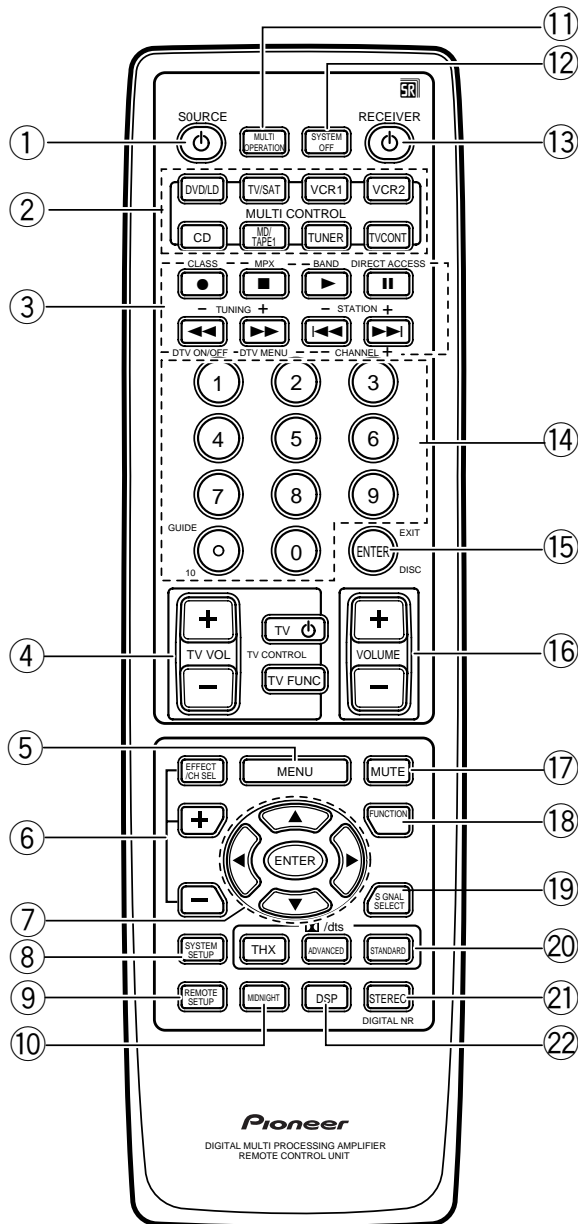


- ① **Receiver SUB button**
Press this button to select the sub receiver screen (above) when the remote control is on the main receiver screen.
- ② **BASS & TREBLE (+/-) buttons**
Use to adjust the high and low frequencies (STEREO mode only).
- ③ **SYSTEM SET UP button**
Use to set up the speaker and sound systems.
- ④ **CHANNEL LEVEL button**
Use this feature to adjust the level of individual speakers during playback of a source.
- ⑤ **INPUT ATT button**
Use to lower the input level of an analog signal that is too powerful, thus causing the receiver to distort (the overload indicator will light furiously).
- ⑥ **EXTERNAL 5.1 CHANNEL button**
Use to hook up an external component that can decode other types of signals and input them into the VSX-29TX.
- ⑦ **TAPE 2 MONITOR button**
Selects the tape deck (or MD recorder, etc.) connected to the TAPE 2 MONITOR inputs/outputs. Allows monitoring of a recording as it's being made.

VSX-29TX, VSX-27TX, VSX-26TX, VSX-24TX, VSX-D908S

Remote Control Unit (VSX-27TX/VSX-26TX/VSX-24TX/VSX-D908S)

These pages describe the buttons on the remote control used to operate the receiver.



① SOURCE button

Use to turn on the power of your other components after you have recalled or taught the signals to this remote control.

② MULTI CONTROL buttons

Use these to select a source and the corresponding remote operation mode. For example, pressing TUNER selects the built in tuner and sets the remote operation to the tuner functions.

③ Component Control buttons

Use to control specific components, like a CD player or DVD player, after you have programmed the remote control to do these operations and the remote is put in that operation mode.

④ TV CONTROL buttons

The following buttons are used to control the TV only and can be used no matter what function the remote control is set to.

TV : Press to turn the power of the TV on/off.

TV FUNC : Press TV FUNC to select the TV for remote control operation.

TV VOL +/- : Press to control the volume of the TV.

⑤ MENU button

Use to get the various menus for your TV or DTV.

⑥ EFFECT/CH SEL +/- buttons

EFFECT : Use these buttons to increase or decrease the amount of effect applied in a DSP or Advanced Theater mode. When the amount of effect is increased in a DSP/Advanced Theater mode the characteristics of that mode become stronger and more noticeable. The scale ranges from 10-90 with 70 as the default setting. First turn on the DSP/Advanced Theater you want (by pressing the DSP/Advanced Theater button until you get the mode) and then increase or decrease the amount of effect.

CH SEL : You may want to adjust the channels when listening to some sound sources. Use this button to select the channel you want to adjust.

+/- : Use these buttons to select the amount of effect in a sound mode and to adjust the channel level when making sound settings.

⑦ ▲/▼/◀/▶/ENTER buttons

Use to operate the on-screen menu on your TV screen and enter commands when setting up surround sound, speakers levels & settings, and other set up features. Specific use of these buttons is described in conjunction with the operations they perform. For more information see each individual section.

⑧ SYSTEM SET UP button

Use to set up the speaker and sound systems. For more information see "Surround Sound Setup" .

VSX-29TX, VSX-27TX, VSX-26TX, VSX-24TX, VSX-D908S

⑨ REMOTE SETUP button.

Use to customize the remote control functions and the remote control itself. (See "Setting Up the Remote Control to Control Other Components", "Multi Operation" .)

To access the EXTERNAL DECODER option, press the REMOTE SETUP button and the SIGNAL SELECT button simultaneously.

⑩ MIDNIGHT button

Switches the MIDNIGHT mode on or off.

⑪ MULTI OPERATION button

Use this button to start the MULTI OPERATION mode.

⑫ SYSTEM OFF button

This button turns off components in two ways. First, when pressed it will turn off all PIONEER components. Secondly, any component that has programmed into the MULTI OPERATIONS settings will also be turned off.

For example : If you programmed power on for your TV and VCR, pressing the SYSTEM OFF button will turn off these components even if they are not PIONEER products.

⑬ RECEIVER button

Press to turn power of the receiver on or to STANDBY (off).

⑭ Number buttons

These buttons can perform a variety of different functions depending on the remote operation mode. They are most useful for CD and tuner operations.

⑮ ENTER/EXIT/DISC button

These buttons can perform a variety of different functions depending on the remote operation mode.

⑯ MASTER VOLUME button

Use to raise or lower the volume of the receiver.

⑰ MUTE button

Press to mute or restore the volume.

⑱ FUNCTION button

Press to select a source. The button will cycle through all the possible sources.

⑲ SIGNAL SELECT button

Press SIGNAL SELECT repeatedly to select one of the following:

ANALOG : To select an analog signal.

DIGITAL : To select a digital signal (DVD/LD, TV/SAT, CD, MD/TAPE 1, VCR 1, VCR 2).

AC-3 RF : To select an AC-3 RF signal (DVD/LD, TV/SAT, VCR 1, VCR 2), VSX-27TX only.

AUTO : This is the default. If there are both analog and digital input signal, the receiver automatically selects the best possible signal (VSX-27TX only).

Press the SIGNAL SELECT and REMOTE SETUP buttons simultaneously to switch from the SIGNAL SELECT operation to EXTERNAL DECODER operation. Then press the button to get the EXTERNAL DECODER function. To get back to the SIGNAL SELECT control, press the REMOTE SETUP button and the SIGNAL SELECT button simultaneously once again.

⑳ /dts buttons

Press these buttons to put the receiver in the selected sound mode. For more information on the modes .

㉑ STEREO/DIGITAL NR button

STEREO : Press this button to put the receiver into stereo mode when it's in a different sound mode.

DIGITAL NR : Switches the DIGITAL NR on or off.

㉒ DSP button

Press repeatedly to select a DSP sound mode.

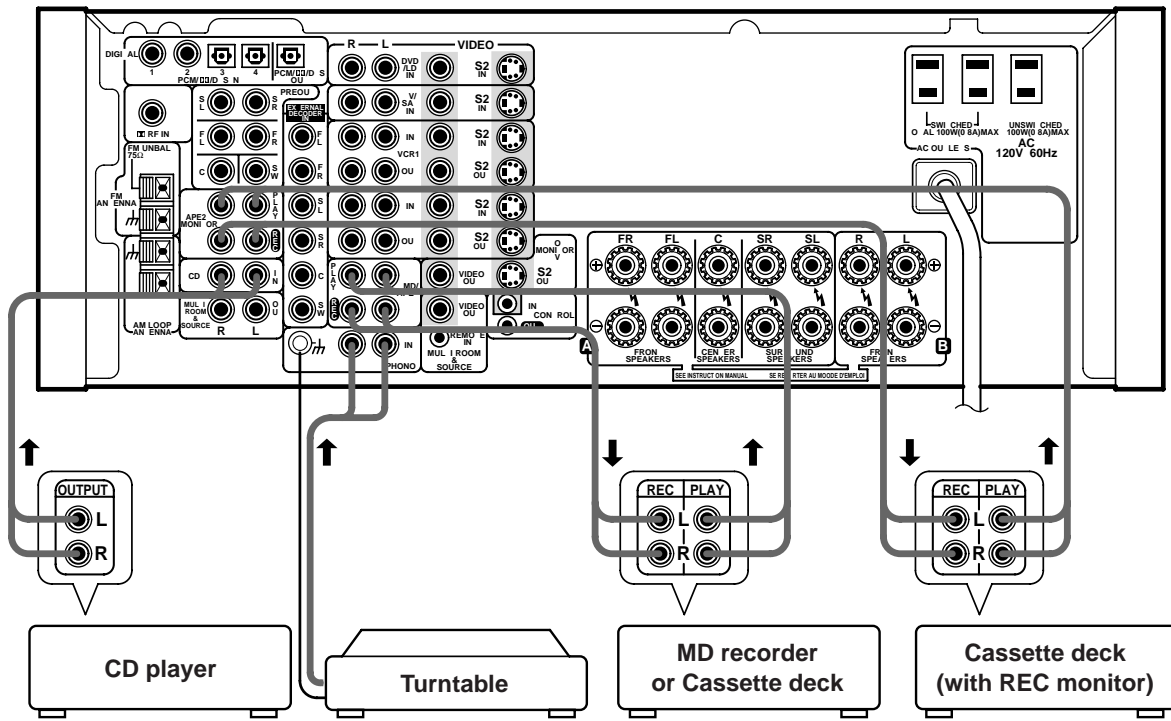
■ Audio Components Connections

To begin set up connect your audio components to the jacks as shown below. These are all analog connections and your analog audio components (turntable, cassette deck) use these jacks. Remember that for components you want to record with you need to hook up four plugs (a set of stereo ins and a set of stereo outs), but for components that only play (like a turntable) you only need to hook up one set of stereo plugs (two plugs). To use DTS surround sound features you must hook up your digital components to the digital inputs but it is also a good idea to hook up your digital components to analog audio jacks. If you want to record to/from digital components (like an MD) to/from analog components you must hook up your digital equipment with these analog connections.

When connecting your equipment always make sure the power is turned off and the power cord is disconnected from the wall outlet.

*The arrows indicate the direction of the audio signal.

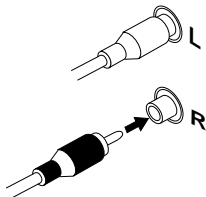
VSX-29TX



If your turntable has a ground wire, connect it to the SIGNAL GND terminal.

■ Audio cords

Use audio cords (not supplied) to connect the audio components.



Connect red plugs to R (right) and white plugs to L (left). Be sure to insert completely.

Cassette deck placement

Depending on where the cassette deck is placed, noise may occur during playback of your cassette deck which is caused by leakage flux from the transformer in the receiver. If you experience noise, move the cassette deck farther away from the receiver.

VSX-29TX, VSX-27TX, VSX-26TX, VSX-24TX, VSX-D908S

8.2 SPECIFICATIONS

VSX-29TX :

Continuous average power output of 120 watts* per channel, min., at 6 ohms, from 20 Hz to 20,000 Hz with no more than 0.09 % total harmonic distortion (front).**

Continuous Power Output

Front 120 W + 120 W (20-20 kHz, 0.09 %, 6 Ω)
Center 120 W (20-20 kHz, 0.09 %, 6 Ω)
Rear 120 W + 120 W (20-20 kHz, 0.09 %, 6 Ω)

Input (Sensitivity/Impedance)

PHONO MM 4.7 mV/47 kΩ
VCR 1, VCR 2, DVD/LD, TV/SAT, VIDEO, CD, MD/TAPE 1, TAPE 2 335 mV/47 kΩ

Phono Overload level (T.H.D.0.1 %, 1kHz)

PHONO MM 120 mV

Frequency Response

PHONO MM 20 Hz to 20,000 Hz ± 0.3 dB
VCR 1, VCR 2, DVD/LD, TV/SAT, VIDEO, CD, MD/TAPE 1, TAPE 2 5 Hz to 100,000 Hz $^{+0}_{-3}$ dB

Output (Level/Impedance)

VCR 1 REC, VCR 2 REC, MD/TAPE 1 REC, TAPE 2 REC .. 335 mV/2.2 kΩ

Tone Control

BASS ± 6 dB (100 Hz)
TREBLE ± 6 dB (10 kHz)
LOUDNESS +3 dB (100 Hz/10 kHz)

Signal-to-Noise Ratio (IHF, short circuited, A network)

PHONO MM 80 dB
VCR 1, VCR 2, DVD/LD, TV/SAT, VIDEO, CD, MD/TAPE 1, TAPE 2 101 dB

Signal-to-Noise Ratio [EIA, at 1 W (1 kHz)]

PHONO MM 80 dB
VCR 1, VCR 2, DVD/LD, TV/SAT, VIDEO, CD, MD/TAPE 1, TAPE 2 83 dB

* Measured pursuant to the Federal Trade Commission's Trade Regulation rule on Power Output Claims for Amplifiers.

** Measured by Audio Spectrum Analyzer.

VIDEO Section

Input (Sensitivity/Impedance)

VCR 1, VCR 2, DVD/LD, TV/SAT, VIDEO 1 Vp-p/75 Ω

Output (Level/Impedance)

VCR 1, VCR 2, MONITOR 1 Vp-p/75 Ω

Frequency Response

VCR 1, VCR 2, MONITOR 5 Hz to 10 MHz $^{+0}_{-3}$ dB

Signal-to-Noise Ratio 65 dB

FM Tuner Section

Frequency Range 87.5 MHz to 108 MHz
Usable Sensitivity Mono: 13.2 dBf, IHF (1.3 μV/75 Ω)
50 dB Quieting Sensitivity Mono: 20.2 dBf
Stereo: 38.6 dBf
Signal-to-Noise Ratio Mono: 73 dB (at 85 dBf)
Stereo: 70 dB (at 85 dBf)
Distortion Stereo: 0.5 % (1 kHz)
Alternate Channel Selectivity 60 dB (400 kHz)
Stereo Separation 40 dB (1 kHz)
Frequency Response 30 Hz to 15 kHz (± 1) dB
Antenna Input 75 Ω unbalanced

AM Tuner Section

Frequency Range 530 kHz to 1,700 kHz
Sensitivity (IHF, Loop antenna) 350 μV/m
Selectivity 25 dB
Signal-to-Noise Ratio 50 dB
Antenna Loop antenna

Miscellaneous

Power Requirements AC 120 V, 60 Hz
Power Consumption 460 W, 630 VA
Power Consumption in Standby mode 1.0 W
AC Outlet SWITCHED (x2) Total 100 W (0.8 A) MAX
AC Outlet UNSWITCHED 100 W (0.8 A) MAX
Dimensions 457 (W) × 174 (H) × 470 (D) mm
17-15/16 (W) × 6-13/16 (H) × 18-1/2 (D) in.
Weight (without package) 16.7 kg (36 lb 13 oz)

Furnished Parts

FM Antenna 1
AM Loop Antenna 1
Dry Cell Batteries (SIZE "AA" (IEC LR6)) 4
Remote Control Unit 1
Cushion for Remote 4
Operating Instructions 1

NOTE:

Specifications and the design are subject to possible modifications without notice, due to improvements.

"DTS" and "DTS Digital Surround" are trademarks of Digital Theater Systems, Inc.
Manufactured under licence from Digital Theater Systems, Inc.

Manufactured under license from Dolby Laboratories. "Dolby", "AC-3", "Pro Logic", and double-D symbol are trademarks of Dolby Laboratories. Confidential Unpublished Works. © 1992 - 1997 Dolby Laboratories, Inc.
All rights reserved.

Manufactured under license from Lucasfilm Ltd. Lucasfilm and THX are trademarks of Lucasfilm Ltd.

VSX-29TX, VSX-27TX, VSX-26TX, VSX-24TX, VSX-D908S

VSX-27TX : Amplifier Section

Continuous average power output of 120 watts* per channel, min., at 6 ohms, from 20 Hz to 20,000 Hz with no more than 0.09 % total harmonic distortion (front).**

**VSX-26TX:
Continuous average power output of 100 watts* per channel, min., at 8 ohms, from 20 Hz to 20,000 Hz with no more than 0.09 %** total harmonic distortion (front).**

**VSX-24TX :
Continuous average power output of 90 watts* per channel, min., at 8 ohms, from 20 Hz to 20,000 Hz with no more than 0.09 %** total harmonic distortion (front).**

VSX-27TX :
Continuous Power Output

Front	120 W + 120 W (20-20 kHz, 0.09 %, 6 Ω)
Center	120 W (20-20 kHz, 0.09 %, 6 Ω)
Rear	120 W + 120 W (20-20 kHz, 0.09 %, 6 Ω)

VSX-26TX :
Continuous Power Output

Front	100 W + 100 W (20-20 kHz, 0.09 %, 8 Ω)
Center	100 W (20-20 kHz, 0.09 %, 8 Ω)
Rear	100 W + 100 W (20-20 kHz, 0.09 %, 8 Ω)

VSX-24TX :
Continuous Power Output

Front	90 W + 90 W (20-20 kHz, 0.09 %, 8 Ω)
Center	90 W (20-20 kHz, 0.09 %, 8 Ω)
Rear	90 W + 90 W (20-20 kHz, 0.09 %, 8 Ω)

Input (Sensitivity/Impedance)

PHONO MM	4.7 mV/47 kΩ
VCR 1, VCR 2, DVD/LD, TV/SAT, VIDEO, CD, MD/TAPE 1, TAPE 2	335 mV/47 kΩ

Phono Overload level (T.H.D.0.1 %, 1kHz)

PHONO MM	120 mV
----------------	--------

Frequency Response

PHONO MM	20 Hz to 20,000 ± 0.3 dB
VCR 1, VCR 2, DVD/LD, TV/SAT, VIDEO, CD, MD/TAPE 1, TAPE 2	5 Hz to 100,000 Hz ⁺⁰ ₋₃ dB

Output (Level/Impedance)

VCR 1 REC, VCR 2 REC, MD/TAPE 1 REC, TAPE 2 REC ..	335 mV/2.2 kΩ
--	---------------

Tone Control

BASS	± 6 dB (100 Hz)
TREBLE	± 6 dB (10 kHz)
LOUDNESS	+3 dB (100 Hz/10 kHz)

Signal-to-Noise Ratio (IHF, short circuited, A network)

PHONO MM	80 dB
VCR 1, VCR 2, DVD/LD, TV/SAT, VIDEO, CD, MD/TAPE 1, TAPE 2	101 dB

Signal-to-Noise Ratio [EIA, at 1 W (1 kHz)]

PHONO MM	80 dB
VCR 1, VCR 2, DVD/LD, TV/SAT, VIDEO, CD, MD/TAPE 1, TAPE 2	83 dB

* Measured pursuant to the Federal Trade Commission's Trade Regulation rule on Power Output Claims for Amplifiers.
** Measured by Audio Spectrum Analyzer.

VIDEO Section

Input (Sensitivity/Impedance)	
VCR 1, VCR 2, DVD/LD, TV/SAT, VIDEO	1 Vp-p/75 Ω
Output (Level/Impedance)	
VCR 1, VCR 2, MONITOR	1 Vp-p/75 Ω
Frequency Response	
VCR 1, VCR 2, MONITOR	5 Hz to 10 MHz ⁺⁰ ₋₃ dB
Signal-to-Noise Ratio	65 dB

FM Tuner Section

Frequency Range	87.5 MHz to 108 MHz
Usable Sensitivity	Mono: 13.2 dBf, IHF (1.3 μV/75 Ω)
50 dB Quieting Sensitivity	Mono: 20.2 dBf Stereo: 38.6 dBf
Signal-to-Noise Ratio	Mono: 73 dB (at 85 dBf) Stereo: 70 dB (at 85 dBf)
Distortion	Stereo: 0.5 % (1 kHz)
Alternate Channel Selectivity	60 dB (400 kHz)
Stereo Separation	40 dB (1 kHz)
Frequency Response	30 Hz to 15 kHz (± 1) dB
Antenna Input	75 Ω unbalanced

AM Tuner Section

Frequency Range	530 kHz to 1,700 kHz
Sensitivity (IHF, Loop antenna)	350 μV/m
Selectivity	25 dB
Signal-to-Noise Ratio	50 dB
Antenna	Loop antenna

Miscellaneous

Power Requirements	AC 120 V, 60 Hz
VSX-27TX :	
Power Consumption	460 W, 630 VA
Power Consumption in Standby mode	1.0 W
AC Outlet SWITCHED (x2)	Total 100 W (0.8 A) MAX
AC Outlet UNSWITCHED	100 W (0.8 A) MAX
Dimensions	420 (W) × 173 (H) × 470 (D) mm 16-9/16 (W) × 6-13/16 (H) × 18-1/2 (D) in
Weight (without package)	14.7 kg (32 lb 7 oz)
VSX-26TX/24TX :	
Power Consumption	400 W, 550 VA
Power Consumption in Standby mode	1.0 W
AC Outlet SWITCHED (x2)	Total 100 W (0.8 A) MAX
AC Outlet UNSWITCHED	100 W (0.8 A) MAX
Dimensions	420 (W) × 173 (H) × 470 (D) mm 16-9/16 (W) × 6-13/16 (H) × 18-1/2 (D) in
Weight (without package)	14.1 kg (31 lb 1 oz)

Furnished Parts

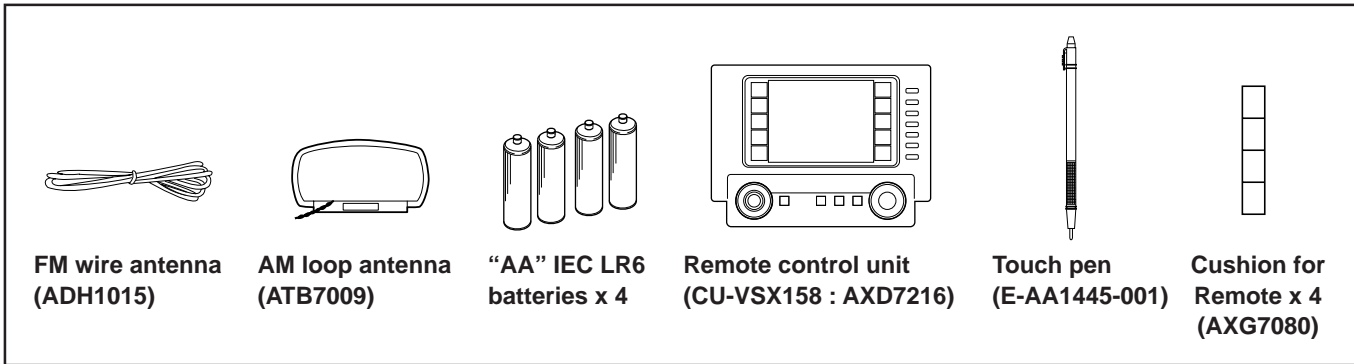
FM Antenna	1
AM Loop Antenna	1
Dry Cell Batteries (SIZE "AA" (IEC LR6))	2
Remote Control Unit	1
Operating Instructions	1

NOTE:

Specifications and the design are subject to possible modifications without notice, due to improvements.

VSX-29TX, VSX-27TX, VSX-26TX, VSX-24TX, VSX-D908S

■ Accessories (VSX-29TX)



■ Accessories (VSX-27TX/VSX-26TX/VSX-24TX/VSX-D908S)

