

Pioneer

Service Manual

ORDER NO.
RRV4087

AUDIO/VIDEO MULTI-CHANNEL RECEIVER

VSX-33

VSX-32

THIS MANUAL IS APPLICABLE TO THE FOLLOWING MODEL(S) AND TYPE(S).

Model	Type	Power Requirement	Remarks
VSX-33	UXJCB	AC 120 V	
VSX-32	UXJCB	AC 120 V	

This service manual should be used together with the following manual(s).

Model No.	Order No.	Remarks
VSX-LX53/SYXJ5	RRV4133	

For SPECIFICATIONS and PANEL FACILITIES, refer to the operating instructions.

1 2 3 4

SAFETY INFORMATION

This service manual is intended for qualified service technicians; it is not meant for the casual do-it-yourselfer. Qualified technicians have the necessary test equipment and tools, and have been trained to properly and safely repair complex products such as those covered by this manual.

Improperly performed repairs can adversely affect the safety and reliability of the product and may void the warranty. If you are not qualified to perform the repair of this product properly and safely, you should not risk trying to do so and refer the repair to a qualified service technician.

WARNING

This product may contain a chemical known to the State of California to cause cancer, or birth defects or other reproductive harm.

Health & Safety Code Section 25249.6 - Proposition 65

NOTICE

(FOR CANADIAN MODEL ONLY)

Fuse symbols (fast operating fuse) and/or (slow operating fuse) on PCB indicate that replacement parts must be of identical designation.

REMARQUE

(POUR MODÈLE CANADIEN SEULEMENT)

Les symboles de fusible (fusible de type rapide) et/ou (fusible de type lent) sur CCI indiquent que les pièces de remplacement doivent avoir la même désignation.

(FOR USA MODEL ONLY)

1. SAFETY PRECAUTIONS

The following check should be performed for the continued protection of the customer and service technician.

LEAKAGE CURRENT CHECK

Measure leakage current to a known earth ground (water pipe, conduit, etc.) by connecting a leakage current tester such as Simpson Model 229-2 or equivalent between the earth ground and all exposed metal parts of the appliance (input/output terminals, screwheads, metal overlays, control shaft, etc.). Plug the AC line cord of the appliance directly into a 120V AC 60 Hz outlet and turn the AC power switch on. Any current measured must not exceed 0.5 mA.

ANY MEASUREMENTS NOT WITHIN THE LIMITS OUTLINED ABOVE ARE INDICATIVE OF A POTENTIAL SHOCK HAZARD AND MUST BE CORRECTED BEFORE RETURNING THE APPLIANCE TO THE CUSTOMER.

2. PRODUCT SAFETY NOTICE

Many electrical and mechanical parts in the appliance have special safety related characteristics. These are often not evident from visual inspection nor the protection afforded by them necessarily can be obtained by using replacement components rated for voltage, wattage, etc. Replacement parts which have these special safety characteristics are identified in this Service Manual.

Electrical components having such features are identified by marking with a Δ on the schematics and on the parts list in this Service Manual.

The use of a substitute replacement component which does not have the same safety characteristics as the PIONEER recommended replacement one, shown in the parts list in this Service Manual, may create shock, fire, or other hazards.

Product Safety is continuously under review and new instructions are issued from time to time. For the latest information, always consult the current PIONEER Service Manual. A subscription to, or additional copies of, PIONEER Service Manual may be obtained at a nominal charge from PIONEER.

AC Leakage Test

2

VSX-33

1 2 3 4

1. CONTRAST OF MISCELLANEOUS PARTS

NOTES: ● Parts marked by "NSP" are generally unavailable because they are not in our Master Spare Parts List.

● The Δ mark found on some component parts indicates the importance of the safety factor of the part. Therefore, when replacing, be sure to use parts of identical designation.

● Screws adjacent to ∇ mark on product are used for disassembly.

● For the applying amount of lubricants or glue, follow the instructions in this manual.

(In the case of no amount instructions, apply as you think it appropriate.)

● Nos. indicate the pages and Nos. in the service manual for the base model.

● When ordering resistors, first convert resistance values into code form as shown in the following examples.

Ex.1 When there are 2 effective digits (any digit apart from 0), such as 560 ohm and 47k ohm (tolerance is shown by J=5%, and K=10%).

560 Ω \rightarrow 56 x 10¹ \rightarrow 561 RD1/4PU $\boxed{5}$ $\boxed{6}$ $\boxed{1}$ J

47k Ω \rightarrow 47 x 10³ \rightarrow 473 RD1/4PU $\boxed{4}$ $\boxed{7}$ $\boxed{3}$ J

0.5 Ω \rightarrow R50 RN2H \boxed{R} $\boxed{5}$ $\boxed{0}$ K

1 Ω \rightarrow 1R0 RS1P $\boxed{1}$ \boxed{R} $\boxed{0}$ K

Ex.2 When there are 3 effective digits (such as in high precision metal film resistors).

5.62k Ω \rightarrow 562 x 10¹ \rightarrow 5621 RN1/4PC $\boxed{5}$ $\boxed{6}$ $\boxed{2}$ $\boxed{1}$ F

CONTRAST TABLE

VSX-LX53/SYXJ5, VSX-33/UXJCB and VSX-32/UXJCB are constructed the same except for the following:

Mark	No.	Symbol and Description	VSX-LX53 /SYXJ5	VSX-33 /UXJCB	VSX-32 /UXJCB	Remarks
		PCB ASSEMBLIES				
NSP	P81-5	1..AMP ASSY 2..POWER AMP ASSY	AWM8192 AWX9660	AWM8186 AWX9573	AWM8216 AWX9702	
NSP	P81-12	1..LOCAL POWER ASSY 2..XM REGULATOR ASSY	AWM8195 AWX9667	AWM8187 AWX9582	AWM8195 AWX9667	
NSP	P85-5 P83-2	1..COMPLEX ASSY 2..DISPLAY ASSY 2..PRIMARY ASSY	AWM8197 AWX9669 AWX9676	AWM8188 AWX9587 AWX9591	AWM8202 AWX9674 AWX9591	
NSP	P83-3 P83-7 P83-9 P83-10	1..AUDIO COMPOSITE ASSY 2..COMPOSITE ASSY 2..AUDIO ASSY 1..DAC LOW ASSY 1..DIGITAL MAIN ASSY	AWR7087 AWX9568 AWX9644	AWR7084 AWX9568 AWX9567	AWR7089 AWX9651 AWX9646	
NSP	P79-1 P79-7	1..BLUETOOTH AD ASSY 2..BLUETOOTH ASSY	AXF7022 AWM8111	Not used Not used	Not used Not used	
		PACKING SECTION				
NSP	P79-1	Bluetooth AD ASSY	AXF7022	Not used	Not used	
NSP	P79-2	Top Case BTA	AAK8468	Not used	Not used	
NSP	P79-3	Bottom Case BTA	AAK8469	Not used	Not used	
NSP	P79-4	BT Label (6L)	AAL7444	Not used	Not used	
	P79-5	Nonwoven Sheet BTA	AHG7142	Not used	Not used	
NSP	P79-6	Polyethylene Bag 55 x 80	AHG7153	Not used	Not used	
Δ	P79-8	Power Cord	XDG3061	ADG7111	ADG7111	
	P79-14	Packing Case	AHD8672	AHD8668	AHD8669	
	P79-16	Quick Start Guide (En, Fr, Gr)	ARH7098	Not used	Not used	
	P79-17	Quick Start Guide (It, Sp)	ARH7099	Not used	Not used	
	P79-18	Quick Start Guide (Du, Ru)	ARH7100	Not used	Not used	
NSP	P79-20	Operating Instructions (CD-ROM)	ARU7002	Not used	Not used	
	P79-21	Warranty Card	ARY7128	ARY7007	ARY7007	
	P79-22	Remote Control Unit	AXD7592	AXD7591	AXD7591	
		Operating Instructions (En)	Not used	ARB7439	ARB7439	
		Protection Sheet LX	Not used	AEH7030	AEH7030	

Mark	No.	Symbol and Description	VSX-LX53 /SYXJ5	VSX-33 /UXJCB	VSX-32 /UXJCB	Remarks
		EXTERIOR SECTION				
A	⚠ P81-16	Power Transformer	ATS7435	ATS7434	ATS7434	
	⚠ P81-17	Fuse (FU6 : T800 mA)	AEK7072	Not used	Not used	
	⚠ P81-17	Fuse (FU6 : 1.25 A)	Not used	REK1143	REK1143	
	⚠ P81-18	Fuse (FU7 : T800 mA)	AEK7072	Not used	Not used	
	⚠ P81-18	Fuse (FU7 : 1.25 A)	Not used	REK1143	REK1143	
	⚠ P81-19	Fuse (FU10 : T1.25 A)	AEK7074	Not used	Not used	
	⚠ P81-19	Fuse (FU10 : 1.6 A)	Not used	REK1144	REK1144	
	⚠ P81-20	Fuse (FU8 : T1.6 A)	AEK7075	Not used	Not used	
	⚠ P81-20	Fuse (FU8 : 1.6 A)	Not used	REK1144	REK1144	
	⚠ P81-21	Fuse (FU9 : T1.6 A)	AEK7075	Not used	Not used	
B	⚠ P81-21	Fuse (FU9 : 1.6 A)	Not used	REK1144	REK1144	
	P81-37	Insulator ASSY	DXA1904	Not used	Not used	
	P81-37	Insulator	Not used	AMR7198	AMR7198	
	P81-39	Screw 3 x 10 (FE)	ABA1193	ABA1193	BBZ30P080FCC	
	NSP	Transistor Holder	Not used	ANG7543	Not used	*1
	⚠	Fuse (FU11 : 1.6 A)	Not used	REK1144	Not used	*2
		REAR SECTION				
	P83-11	FM/AM TUNER Unit	AXX7265	AXX7267	AXX7267	
	⚠ P83-12	Fuse (FU1 : T5 A)	AEK1061	Not used	Not used	
	⚠ P83-12	Fuse (FU1 : 10 A)	Not used	REK1154	REK1154	
	⚠ P83-13	Fuse (FU4 : 4 A)	REK1104	Not used	Not used	
C	⚠ P83-13	Fuse (FU4 : 2 A)	Not used	REK1139	REK1139	
	P83-18	Rear Panel	ANC8586	ANC8569	ANC8583	
	P83-25	Shield Case	AMR7557	Not used	Not used	
		FRONT SECTION				
	P85-12	Filter	AAK8413	AAK8412	AAK8412	
	P85-14	Power Ring	AAK8471	AAK8476	AAK8476	
	P85-15	Input Cover	AAK8528	AAK8527	AAK8527	
	P85-16	Input Sheet	AAK8531	AAK8530	AAK8530	
	P85-18	Front Panel	ANB7544	ANB7542	AMB8022	
D	P85-19	Standby BTN ASSY	AXG7400	XXG3413	XXG3413	
	P85-20	P Base ASSY	AXG7403	AXG7401	AXG7426	
	P85-22	Panel Base	AMB8010	AMB8004	AMB8004	
	P85-26	Window ASSY	AXG7424	AXG7422	AXG7422	
	NSP P85-28	Window	AAK8525	AAK8523	AAK8523	
	P85-29	Pioneer Badge	VAM1158	VAM1159	VAM1159	

Notes : *1, *2 For XM REGULATOR ASSY.

For PCB ASSEMBLIES, Refer to "CONTRAST OF PCB ASSEMBLIES" and "2. SCHEMATIC DIAGRAM".

CONTRAST OF PCB ASSEMBLIES**A F AUDIO ASSY**

AWX9644, AWX9567 and AWX9646 are constructed the same except for the following:

Mark	Symbol and Description	AWX9644	AWX9567	AWX9646	Remarks
	IC3931	LC72725KM	Not used	Not used	
	Q2971	IMX25	IMX25	Not used	
	L3931 Chip Solid Inductor	QTL1013	Not used	Not used	
	X3931 Crystal Resonator	ASS7004	Not used	Not used	
	JA2952 2P Pin Jack	Not used	Not used	AKB7233	
	JA2951 Pin Jack(4P)	XKB3017	XKB3017	Not used	
	R3003, R3004	RS1/10SR101J	RS1/10SR121J	RS1/10SR121J	
	R3931, R3932	RS1/10SR220J	Not used	Not used	
	R2709, R2710	RS1/10SR331J	RS1/10SR562J	RS1/10SR562J	
	R3933	RS1/10SR473J	Not used	Not used	
	R2707, R2708	RS1/10SR562J	RS1/10SR331J	RS1/10SR331J	
	R3031	RS1/8SQ475J	Not used	Not used	
	R3032	RS1/8SQ562J	RS1/8SQ822J	RS1/8SQ822J	
	R2907, R2908	RS1/10SR0R0J	RS1/10SR0R0J	Not used	
	R2971-R2976	RS1/10SR102J	RS1/10SR102J	Not used	
	R2901, R2902	RS1/10SR104J	RS1/10SR104J	Not used	
	R2868	RS1/10SR222J	RS1/10SR222J	Not used	
	R2867	RS1/10SR562J	RS1/10SR562J	Not used	
	C2501-C2504, C2521-C2524	CCSRCH101J50	Not used	Not used	
	C2541-C2544, C2561, C2562	CCSRCH101J50	Not used	Not used	
	C2581-C2584, C2601-C2604	CCSRCH101J50	Not used	Not used	
	C2621, C2622, C2641-C2644	CCSRCH101J50	Not used	Not used	
	C3113, C3114, C3163, C3164	CCSRCH101J50	Not used	Not used	
	C3213, C3214, C3263, C3264	CCSRCH101J50	Not used	Not used	
	C3283, C3284, C3932	CCSRCH101J50	Not used	Not used	
	C2563-C2564, C2623, C2624	CCSRCH220J50	Not used	Not used	
	C3937, C3938	CCSRCH270J50	Not used	Not used	
	C3111, C3112, C3161, C3162	CCSRCH331J50	Not used	Not used	
	C3211, C3212, C3261, C3262	CCSRCH331J50	Not used	Not used	
	C3281, C3282	CCSRCH331J50	Not used	Not used	
	C2864, C2866	CKSRYB104K50	CKSRYB104K50	Not used	
	C2903, C2904	CEAT100M50	CEAT100M50	Not used	
	C2951, C2952, C2971, C2972	CCSRCH471J50	Not used	Not used	
	C2983	CKSRYB103K50	CKSRYB103K50	Not used	
	C3933	CCSRCH561J50	Not used	Not used	
	C3935	CEAT100M50	Not used	Not used	
	C3931	CEAT221M16	Not used	Not used	
	C3941	CKSRYB103K50	Not used	Not used	
	C3942, C3934	CKSRYB104K16	Not used	Not used	
	C3936	CKSRYB472K50	Not used	Not used	

B F COMPOSITE ASSY

AWX9568 and AWX9651 are different in part number, they consist of the same components.

CF DAC LOW ASSY

AWX9657 and AWX9566 are constructed the same except for the following:

Mark	Symbol and Description	AWX9657	AWX9566	Remarks
	D2130	Not used	1SS302	
	JA2101 Socket	Not used	BKP1127	
	R2135	Not used	RS1/10SR0R0J	
	R2140, R2141	Not used	RS1/10SR474J	
	R2142, R2143	Not used	RS1/10SR331J	
	R2130-R2134, R2144, R2145	RS1/10SR0R0J	Not used	
	R2189	RS1/8SQ475J	RS1/8SQ225J	
	C2124, C2126	Not used	CKSRYB103K50	
	C2127, C2128	Not used	CEAK220M50	

EF DIGITAL MAIN ASSY

AWX9719 and AWX9718 are constructed the same except for the following:

Mark	Symbol and Description	AWX9719	AWX9718	Remarks
	IC1809	Not used	TC74VHC157FK	
	IC1801	Not used	AAT4614AIGU-2	
	IC1806	Not used	TC74VHC125FK	
	IC1808	Not used	TC74LCX157FK	
	IC1816	Not used	NJM2872BF33	
	IC1803	Not used	BU9450KV	
	D602, D604	Not used	1SS352	
	D1801, D1802	Not used	HZU5R6(B2)	
	L1801, L1802, L1806, L1808	Not used	QTL1013	
	L1811 Chip Solid Inductor	Not used	QTL1013	
	JA1801 4p Socket	Not used	AKP7201	
	X1801 Crystal	Not used	ASS7095	
	R1823, R1828	Not used	RS1/10SR101J	
	R1814	Not used	RS1/10SR104J	
	R1818	Not used	RS1/16SS0R0J	
	R739, R1806, R1807, R1819	Not used	RS1/16SS101J	
	R1820, R1824-R1827, R1829	Not used	RS1/16SS101J	
	R1843, R1863, R1864, R1866	Not used	RS1/16SS101J	
	R1867, R1869-R1874, R1901	Not used	RS1/16SS101J	
	R1902	Not used	RS1/16SS101J	
	R1808, R1809, R1812, R1905	Not used	RS1/16SS102J	
	R1906	Not used	RS1/16SS102J	
	R1801	Not used	RS1/16SS103J	
	R1817, R1821, R1822, R1831	Not used	RS1/16SS104J	
	R1832, R1834, R1835	Not used	RS1/16SS104J	
	R1813	Not used	RS1/16SS105J	
	R1868, R1892	Not used	RS1/16SS151J	
	R1846, R1847, R1865	Not used	RS1/16SS470J	
	R1830	Not used	RS1/16SS473J	
	R1891	Not used	RS1/16SS680J	
	R1805	RS1/10SR0R0J	Not used	
	R724, R725, R1856, R1857	RS1/16SS0R0J	Not used	
	R1859, R1860, R1907, R1909	RS1/16SS0R0J	Not used	
	R1910	RS1/16SS0R0J	Not used	
	R738	RS1/16SS101J	Not used	
	R9865	RS1/16SS120J	RS1/16SS0R0J	
	R919, R921, R923, R926	RS1/16SS220J	RS1/16SS0R0J	
	R928, R930	RS1/16SS220J	RS1/16SS0R0J	
	R1833	Not used	RAB4CQ470J	
	C9815	CCSRCH100D50	CCSRCH102J50	

Mark	Symbol and Description	AWX9719	AWX9718	Remarks
	C1410 C1217, C1361, C9842 C941, C987, C1705, C9020 C1802, C1812 C1826, C1833, C1835	CCSSCH100D50 CCSSCH100D50 CKSSYB104K16 Not used Not used	CCSSCH101J50 Not used CKSSYB104K10 CCSSCH101J50 CCSSCH471J50	
	C1810, C1811 C1807 C1803 C1854 C1804	Not used Not used Not used Not used Not used	CCSSCH8R0D50 CEVLW101M10 CEVW101M16 CKSQYB225K10 CKSRYB104K16	
	C1801 C1805, C1806, C1808, C1809 C1813-C1815, C1819, C1820 C1825, C1832, C1834, C1852 C1853	Not used Not used Not used Not used Not used	CKSRYB105K10 CKSSYB104K10 CKSSYB104K10 CKSSYB104K10 CKSSYB104K10	
	C985 Chip Px Capacitor	VCH1234	CEVW221M4	

E DIGITAL MAIN ASSY

AWX9719 and AWX9626 are constructed the same except for the following:

Mark	Symbol and Description	AWX9719	AWX9626	Remarks
	IC1607 IC1606 IC1603 IC9009 Q1604	TC7SH32FUS1 AAT4614AIGU-2 SII9134CTU-K ICS87002BM-05 UMB1N	Not used Not used Not used IDT6V60008DCG Not used	
	Q1602 D1602 L1602, L1608, L1624, L1625 L1626 Chip Beads L1613-L1616 Coil	LTC114YUB UDZS5R1(B) ATL7010 ATL7010 ATH7064	Not used Not used Not used Not used Not used	
	L1621 Inductor JA1602 Hdmi Connector R739 R1679, R1680 R1627, R1635, R1639, R1641	CTF1473 AKP7254 Not used RS1/16SS0R0J RS1/16SS100J	Not used Not used RS1/16SS101J Not used Not used	
	R1644 R738 R1647 R1632 R9865	RS1/16SS100J RS1/16SS101J RS1/16SS102J RS1/16SS103J RS1/16SS120J	Not used Not used Not used Not used RS1/16SS0R0J	
	R1677 R919, R921, R923, R926 R928, R930 R1659 R1657, R1663	RS1/16SS180J RS1/16SS220J RS1/16SS220J RS1/16SS243J RS1/16SS272J	Not used RS1/16SS0R0J RS1/16SS0R0J Not used Not used	
	R1610 R1624 R1649 R1653, R1655, R1678 R1670	RS1/16SS330J RS1/16SS470J RS1/16SS471J RS1/16SS472J RS1/16SS473J	Not used Not used Not used Not used Not used	
	R1651 C9815 C1410 C1217, C1361, C9842 C1619, C1625, C1629, C1638	RS1/16SS6800F CCSRCH100D50 CCSSCH100D50 CCSSCH100D50 CCSSCH101J50	Not used CCSRCH102J50 CCSSCH101J50 Not used Not used	

Mark	Symbol and Description	AWX9719	AWX9626	Remarks
A	C1649, C1714	CCSSCH101J50	Not used	
	C1602, C1663, C1671, C1699	CCSSCH102J50	Not used	
	C1709, C1715	CCSSCH102J50	Not used	
	C1717	CCSSCH331J50	Not used	
	C1621, C1623, C1627, C1639	CCSSCH471J50	Not used	
	C1645, C1658, C1660, C1708	CCSSCH471J50	Not used	
	C1713	CCSSCH471J50	Not used	
	C1665	CEVLW101M10	Not used	
	C1606, C1656, C1710, C1711	CKSQYB106K6R3	Not used	
	C1689, C1695	CKSRYB105K10	Not used	
B	C1647	CKSSYB103K16	Not used	
	C1631, C1635, C1642, C1659	CKSSYB104K10	Not used	
	C1661, C1716, C1721	CKSSYB104K10	Not used	
	C941, C987, C1705, C9020	CKSSYB104K16	CKSSYB104K10	
	C1707	CKSSYB104K16	Not used	
	C1618, C1620, C1622, C1624	CKSSYB105K6R3	Not used	
	C1626, C1643, C1657, C1712	CKSSYB105K6R3	Not used	
C	C1675, C1677, C1679, C1681	VCG1066	Not used	
	C1685, C1688, C1691, C1693	VCG1066	Not used	
	Chip Capacitor			
	C985 Chip Px Capacitor	VCH1234	CEVW221M4	

The mounting positions of the additional parts are described in the circuit diagram and PCB diagram of the parent manual.

HF POWER AMP ASSY

AWX9660 and AWX9573 are constructed the same except for the following:

Mark	Symbol and Description	AWX9660	AWX9573	Remarks
	JA5800-JA5802 Speaker Terminal 6p	AKE7108	AKE7107	

HF POWER AMP ASSY

AWX9660 and AWX9702 are constructed the same except for the following:

Mark	Symbol and Description	AWX9660	AWX9702	Remarks
D	Q5865	RT3T22M	Not used	
	D5931	MC2848-11	Not used	
	D5935	1SS357	Not used	
	L5933 Chip Solid Inductor	QTL1013	Not used	
	JA5800-JA5802 Speaker Terminal 6p	AKE7108	AKE7107	
	JA5811 Jack	VKB1243	Not used	
	R5931	Not used	RS1/10SR0R0J	
	R5933	RS1/10SR622J	Not used	
	R5939	RS1/10SR104J	Not used	
	R5947	RS1/10SR0R0J	Not used	
E	C5932	CKSRYB103K50	Not used	
	C5934	CKSRYB153K50	Not used	

The mounting positions of the additional parts are described in the circuit diagram and PCB diagram of the parent manual.

J F DISPLAY ASSY

AWX9669, AWX9587 and AWX9674 are constructed the same except for the following:

Mark	Symbol and Description	AWX9669	AWX9587	AWX9674	Remarks
R3020		RS1/10SR473J	Not used	Not used	
R3021		Not used	RS1/10SR473J	RS1/10SR473J	
R3022		RS1/10SR473J	RS1/10SR473J	Not used	
R3023		Not used	Not used	RS1/10SR473J	
C3041		CCSRCH100D50	Not used	Not used	
C3043		CCSRCH100D50	Not used	Not used	

The mounting positions of the additional parts are described in the circuit diagram and PCB diagram of the parent manual.

K F PRIMARY ASSY

AWX9676 and AWX9591 are constructed the same except for the following:

Mark	Symbol and Description	AWX9676	AWX9591	Remarks
L1	Line Filter	ATF7049	ATF7048	
VA1	Varistor	TND10V-511KB00AAA0	Not used	
CN82	Connector	Not used	B2P3-VH	
CN81	Connector(vh)	B3P5-VH	Not used	
KN52	Screw Plate	ANG7591	Not used	
R4		RS1/10SR821J	RS1/10SR182J	
R14		RS1/10SR1001F	RS1/10SR0R0J	
R57		RS1/4SA155J	Not used	
R59		RS1/8SQ365J	RS1/8SQ475J	
R72		RS1/10SR123J	RS1/10SR392J	
R73		RS1/10SR513J	RS1/10SR473J	
C74, C75		CCSRCH220J50	CCSRCH101J50	
C72	Film Capacitor	ACE7013	Not used	

M F XM REGULATOR ASSY

AWX9667 and AWX9582 are constructed the same except for the following:

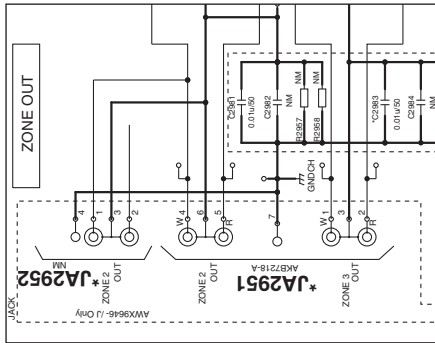
Mark	Symbol and Description	AWX9667	AWX9582	Remarks
IC4301		Not used	NJM7805FA	
Q4301		Not used	2SD1763A	
Q4302		Not used	LSC4081UB	
D4301		Not used	D3SBA20	
D4302		Not used	PTZ9R1	
H4301, H4302	Fuse Clip	Not used	AKR1004	
R4302		Not used	RS1/10SR102J	
R4303		Not used	RS1/10SR221J	
R4304		Not used	RS1/10SR100J	
C4314, C4315		Not used	CCSRCH102J50	
C4306		Not used	CEAT101M25	
C4308		Not used	CEAT101M50	
C4301		Not used	CFTLA104J50	
C4307		Not used	CKSRYB103K50	
C4305		Not used	CKSRYB104K25	
C4309		Not used	CKSRYB104K50	
C4303		Not used	CEAT332M25-F	

2. SCHEMATIC DIAGRAM

2.1 AUDIO ASSY

A

A 1/3 F AUDIO ASSY (1/3) (AWX9646)



A-a 1/3 F

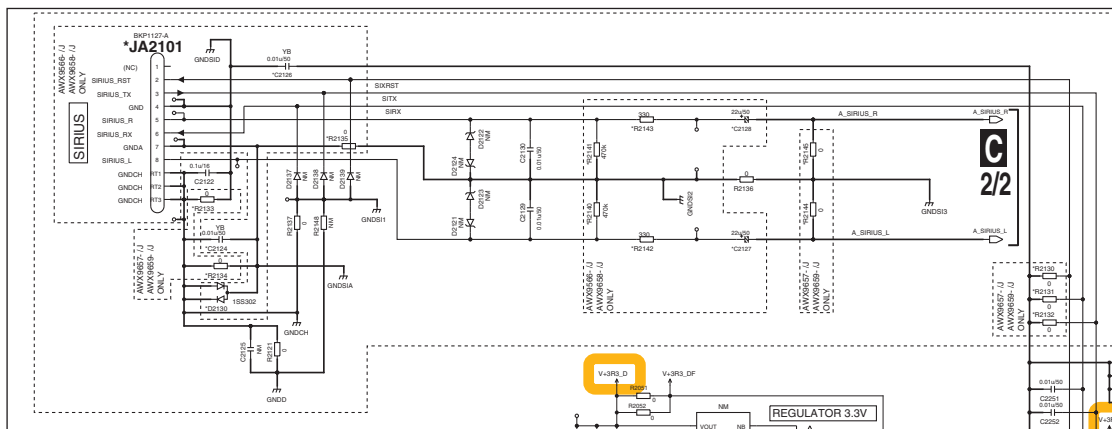
A-a 1/3 F

C

2.2 DAC LOW ASSY

D

C 1/2 F DAC LOW ASSY (1/2) (AWX9566)



E

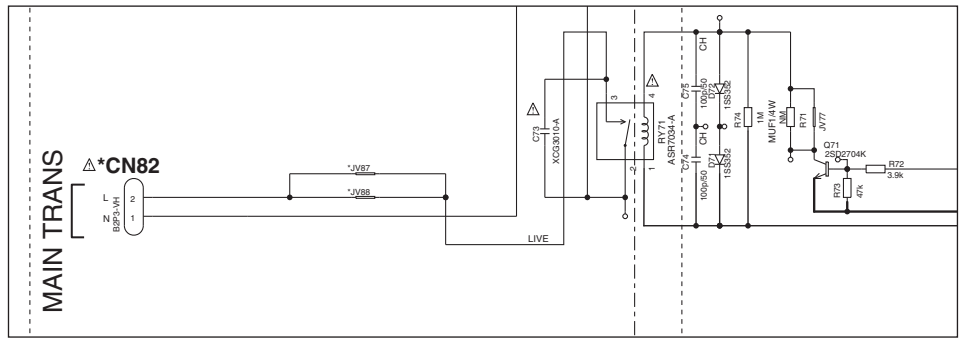
F

C 1/2 F

C 1/2 F

2.3 PRIMARY ASSY

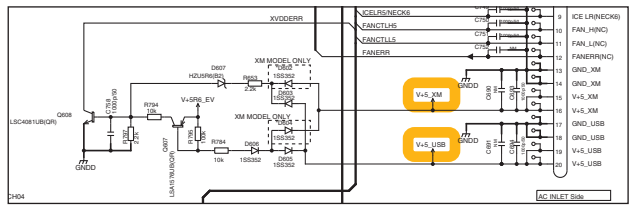
K_F PRIMARY ASSY (AWX9591)



K_F

2.4 DIGITAL MAIN ASSY(2/10)

E_{2/10} F DIGITAL MAIN ASSY (2/10) (AWX9718)



E_{2/10} F

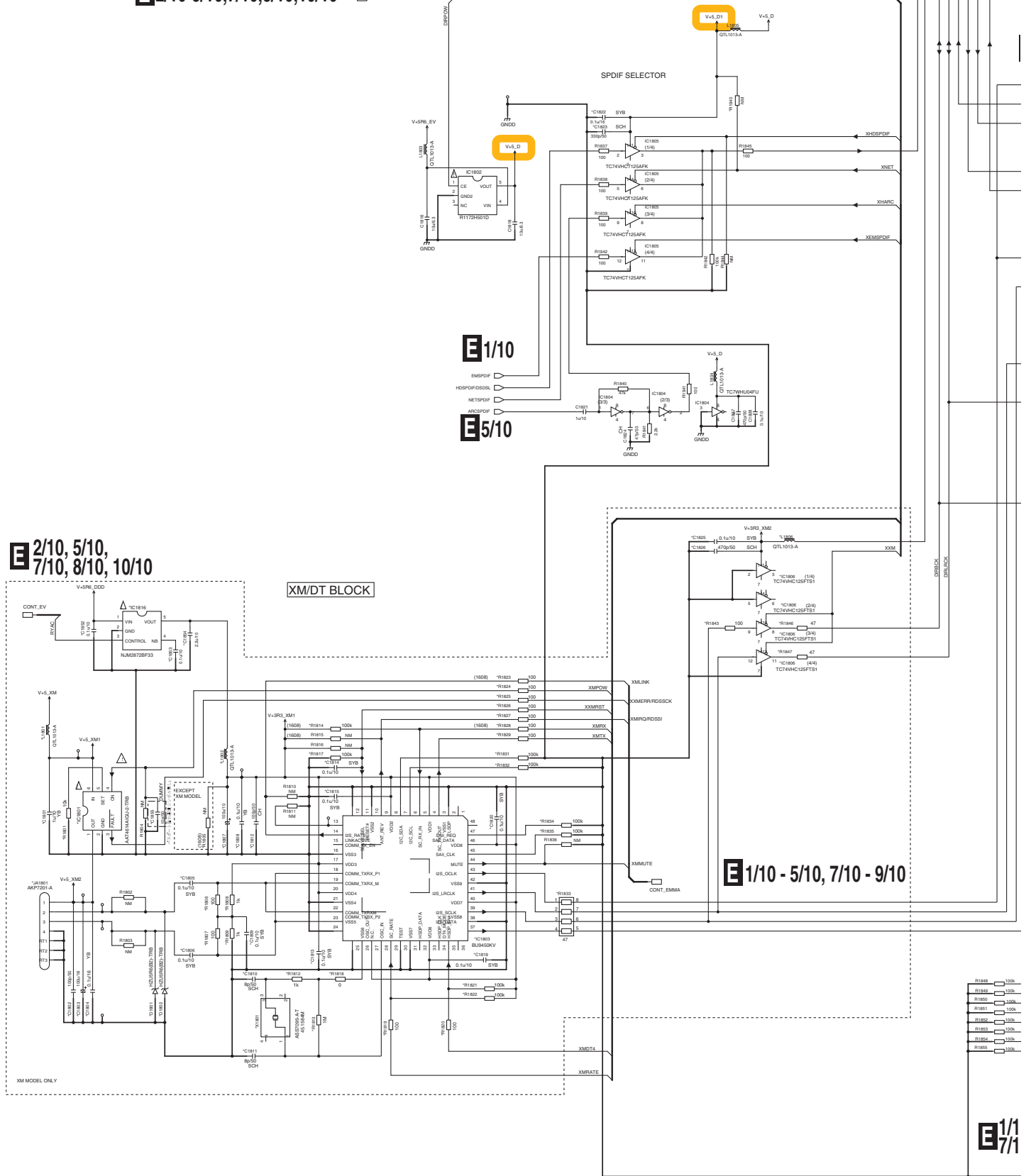
E_{2/10} F

2.5 DIGITAL MAIN ASSY(6/10)

A
B
C
D
E
F

E2/10-5/10,7/10,8/10,10/10

E7/10,8/10



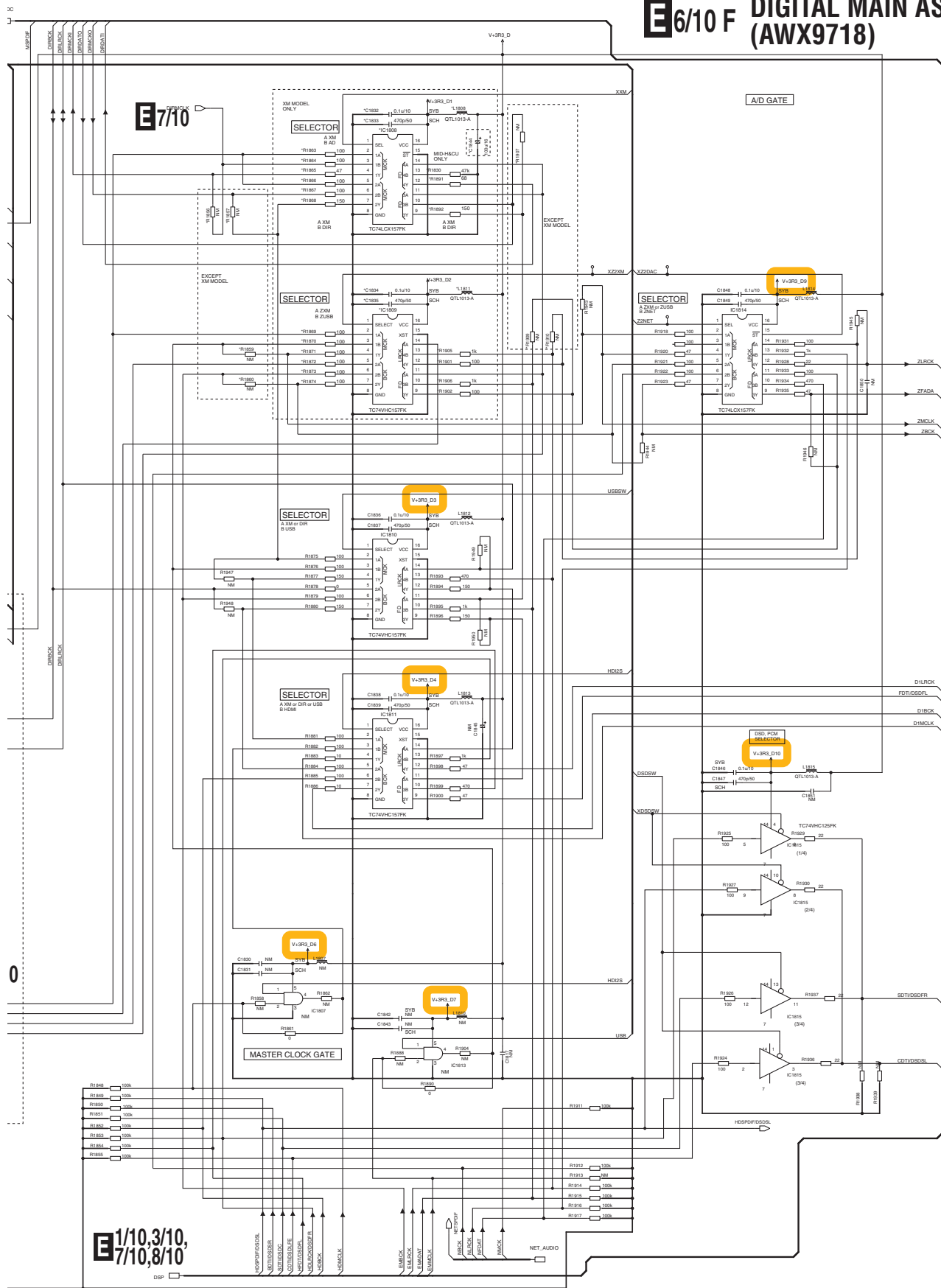
The mark found on some component parts should be replaced with same parts (safety regulation authorized) of identical designation.

HDM PCM DATA	
15V1	PL00
15V2	PL01
15V3	PL02
15V4	PL03
15V5	PL04
15V6	PL05
15V7	PL06
15V8	PL07
15V9	PL08
15V10	PL09
15V11	PL10
15V12	PL11
15V13	PL12
15V14	PL13
15V15	PL14
15V16	PL15
15V17	PL16
15V18	PL17
15V19	PL18
15V20	PL19
15V21	PL20
15V22	PL21
15V23	PL22
15V24	PL23
15V25	PL24
15V26	PL25
15V27	PL26
15V28	PL27
15V29	PL28
15V30	PL29
15V31	PL30
15V32	PL31
15V33	PL32
15V34	PL33
15V35	PL34
15V36	PL35
15V37	PL36
15V38	PL37
15V39	PL38
15V40	PL39
15V41	PL40
15V42	PL41
15V43	PL42
15V44	PL43
15V45	PL44
15V46	PL45
15V47	PL46
15V48	PL47
15V49	PL48
15V50	PL49
15V51	PL50
15V52	PL51
15V53	PL52
15V54	PL53
15V55	PL54
15V56	PL55
15V57	PL56
15V58	PL57
15V59	PL58
15V60	PL59
15V61	PL60
15V62	PL61
15V63	PL62
15V64	PL63
15V65	PL64
15V66	PL65
15V67	PL66
15V68	PL67
15V69	PL68
15V70	PL69
15V71	PL70
15V72	PL71
15V73	PL72
15V74	PL73
15V75	PL74
15V76	PL75
15V77	PL76
15V78	PL77
15V79	PL78
15V80	PL79
15V81	PL80
15V82	PL81
15V83	PL82
15V84	PL83
15V85	PL84
15V86	PL85
15V87	PL86
15V88	PL87
15V89	PL88
15V90	PL89
15V91	PL90
15V92	PL91
15V93	PL92
15V94	PL93
15V95	PL94
15V96	PL95
15V97	PL96
15V98	PL97
15V99	PL98
15V100	PL99
15V101	PL100

E6/10 F

VSX-33

E6/10 F DIGITAL MAIN ASSY (6/10) (AWX9718)



HDMI PCM DATA		HDMI DSD DATA	
HDMI00-000L	FL/FR	HDMI00-000L	FS
HDMI00-000S	FC/R	HDMI00-000S	FD
HDMI00-001L	CL/CR	HDMI00-001L	CS
HDMI00-001S	SL/SR	HDMI00-001S	SS
HDMI00-002L	CL/CR	HDMI00-002L	CS
HDMI00-002S	SL/SR	HDMI00-002S	SS
HDMI00-003L	CL/CR	HDMI00-003L	CS
HDMI00-003S	SL/SR	HDMI00-003S	SS
HDMI00-004L	CL/CR	HDMI00-004L	CS
HDMI00-004S	SL/SR	HDMI00-004S	SS

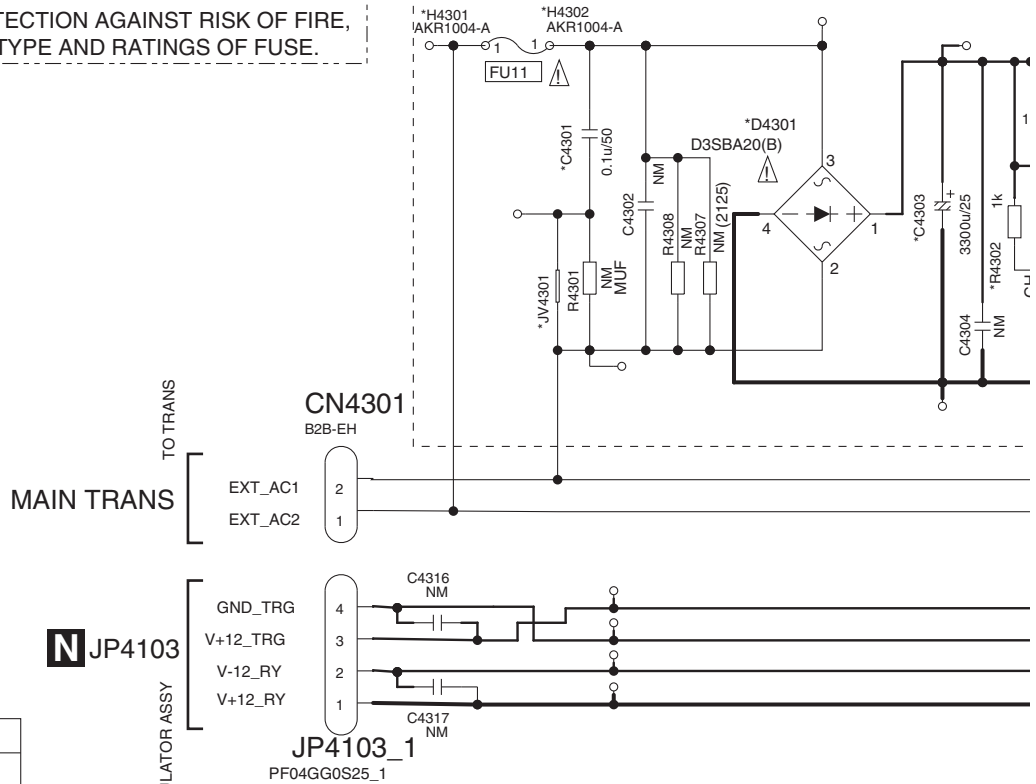
VSX-33

2.6 XM REGULATOR ASSY

MF XM REGULATOR ASSY (AWX9582)

CAUTION - FOR CONTINUED PROTECTION AGAINST RISK OF FIRE,
REPLACE WITH SAME TYPE AND RATINGS OF FUSE.

XM
AWX9582 ONLY

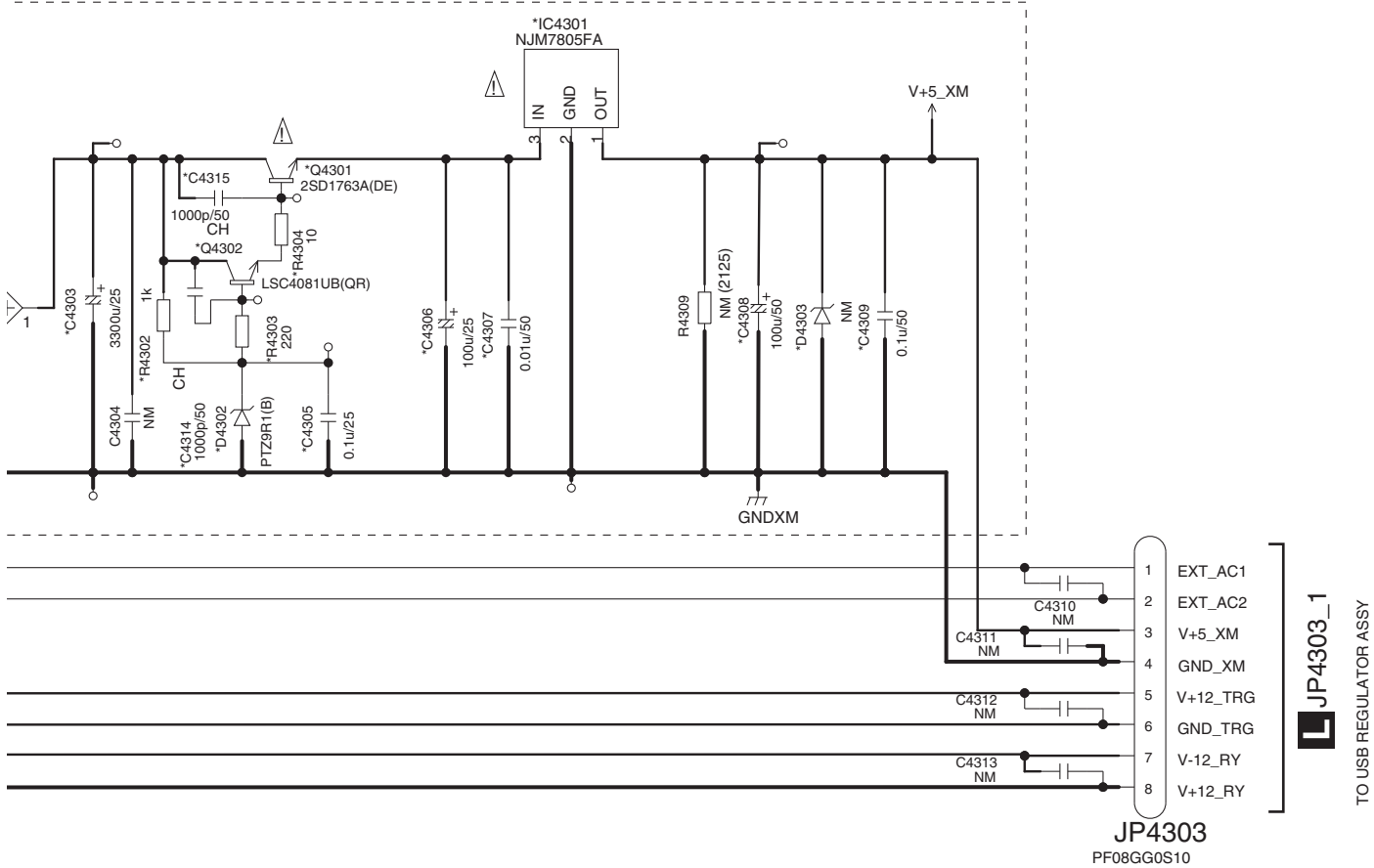




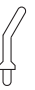
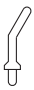
	awx9582	awx9667
C4301	0.1u/50	NM
C4303	3300u/25	NM
C4305	0.1u/25	NM
C4306	100u/25	NM
C4307	0.01u/50	NM
C4308	100u/50	NM
C4309	0.1u/50	NM
C4314	1000p/50	NM
C4315	1000p/50	NM
R4302	1k	NM
R4303	220	NM
R4304	10	NM
IC4301	NJM7805FA	NM
D4301	D3SBA20(B)	NM
D4302	PTZ9R1(B)	NM
D4303	NM	NM
H4301	AKR1004-A	NM
H4302	AKR1004-A	NM
JV4301		NM
Q4301	2SD1763A(DE)	NM
Q4302	LSC4081UB(QR)	NM

NOTE

- RESISTORS
Unit: k-k Ω , M-M Ω or Ω unless otherwise noted.
Rated Power: 1/10W unless otherwise noted.
Tolerance: (J)5% unless otherwise noted.
MUF : RD1/4MUF
2125 : RS1/8SQ
- CAPACITORS
Unit: p-pF or u-uF unless otherwise noted.
Ratings: Capacity(F)/Voltage(V) unless otherwise noted.
CH : CCSRCH
NO MARKED : CEAT or CKSRYB
- NM : NO MOUNT





- 
 VEF1040-A
 JH4301
- 
 VEF1040-A
 JH4302
- 
 VEF1040-A
 JH4303
- 
 NM
 JH4304