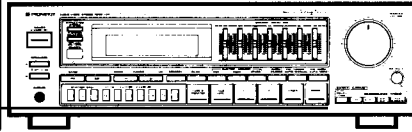


Service Manual



ORDER NO.
ARP2060

AUDIO/VIDEO STEREO RECEIVER

VSX-3700S

VSX-3600

MODELS VSX-3700S AND VSX-3600 HAVE FOLLOWING VERSIONS :

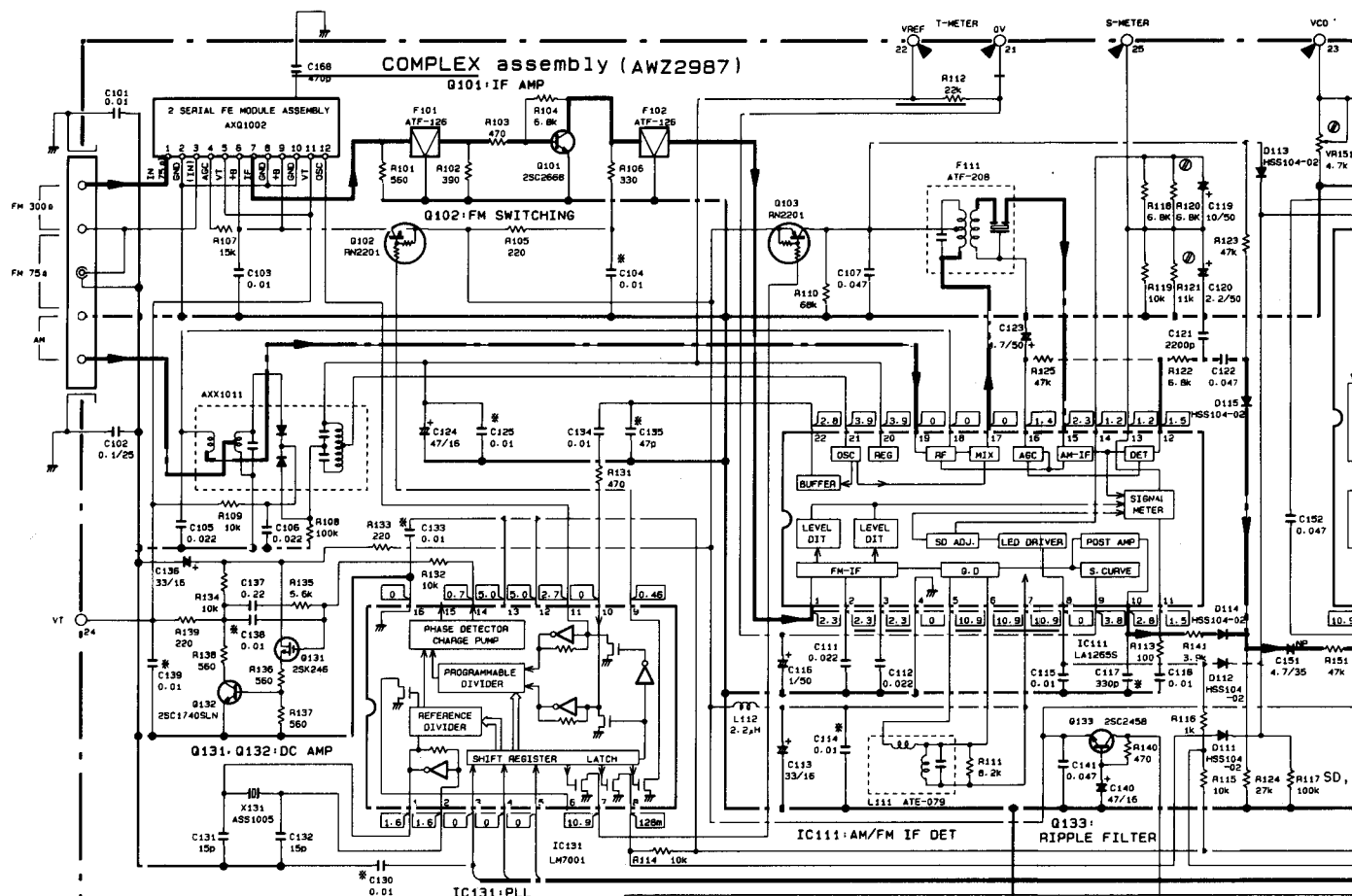
Type	Applicable model		Power requirement	Destination
	VSX-3700S	VSX-3600		
KUC	○	○	AC120V only	U.S.A. and Canada
SD	-	○	AC110V, 120-127V, 220V, 240V (switchable)	Kingdom of Saudi Arabia and General market
YPW	-	○	AC240V only	Australia

- This manual is applicable to the VSX-3700S/KUC, VSX-3600/KUC, SD and YPW types.
- As to the VSX-3600/KUC, SD and YPW types, refer to pages 42-44.
- The " S " at the end of the model number indicates that a programable remote control unit is supplied.

CONTENTS

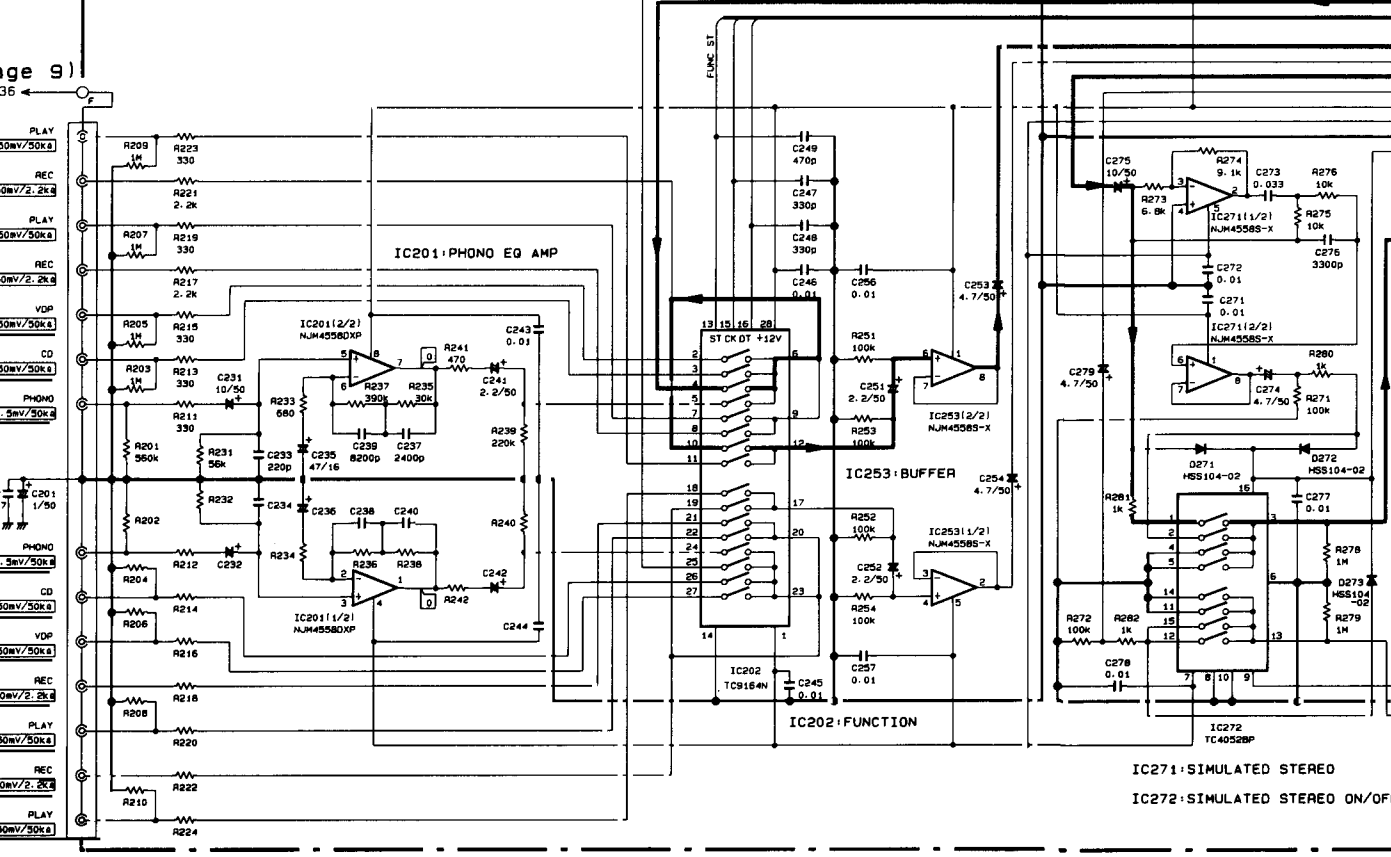
1. SAFETY INFORMATION	2	6. ADJUSTMENTS	33
2. SPECIFICATIONS	3	7. IC INFORMATION	35
3. EXPLODED VIEWS, PACKING AND PARTS LIST	4	8. REMOTE CONTROL UNIT (AXD1150)	37
4. SCHEMATIC DIAGRAM AND P.C.BOARDS CONNECTION DIAGRAM	8	9. FOR VSX-3600/KUC, SD AND YPW TYPES	42
5. P.C.B 's PARTS LIST	27	10. PANEL FACILITIES	44

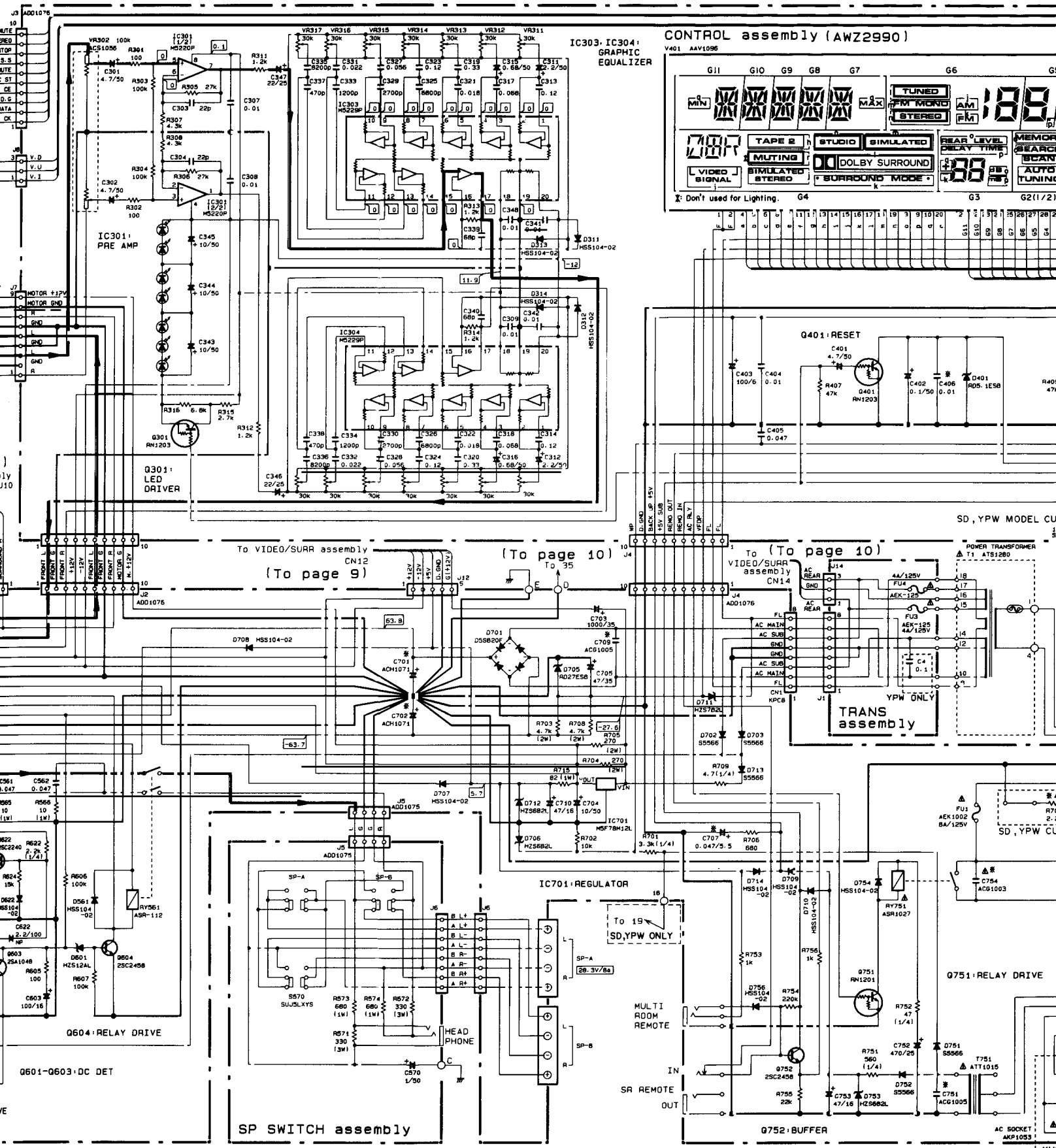
VSX-3700S
VSX-3600



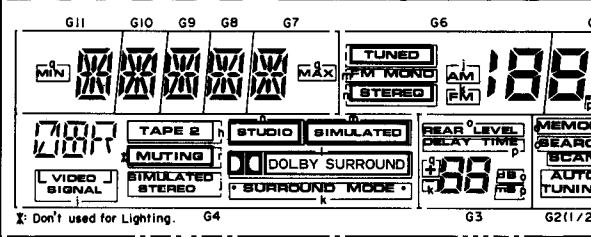
(To page 9)

To 36





CONTROL assembly (AW2990)
 V401 AAV1096



To VIDEO/SURR assembly
 (To page 9)

(To page 10)

To (To page 10)
 VIDEO/SURR assembly

SD, YPW MODEL CU

TRANS assembly

SD, YPW CU

SP SWITCH assembly

IC701: REGULATOR

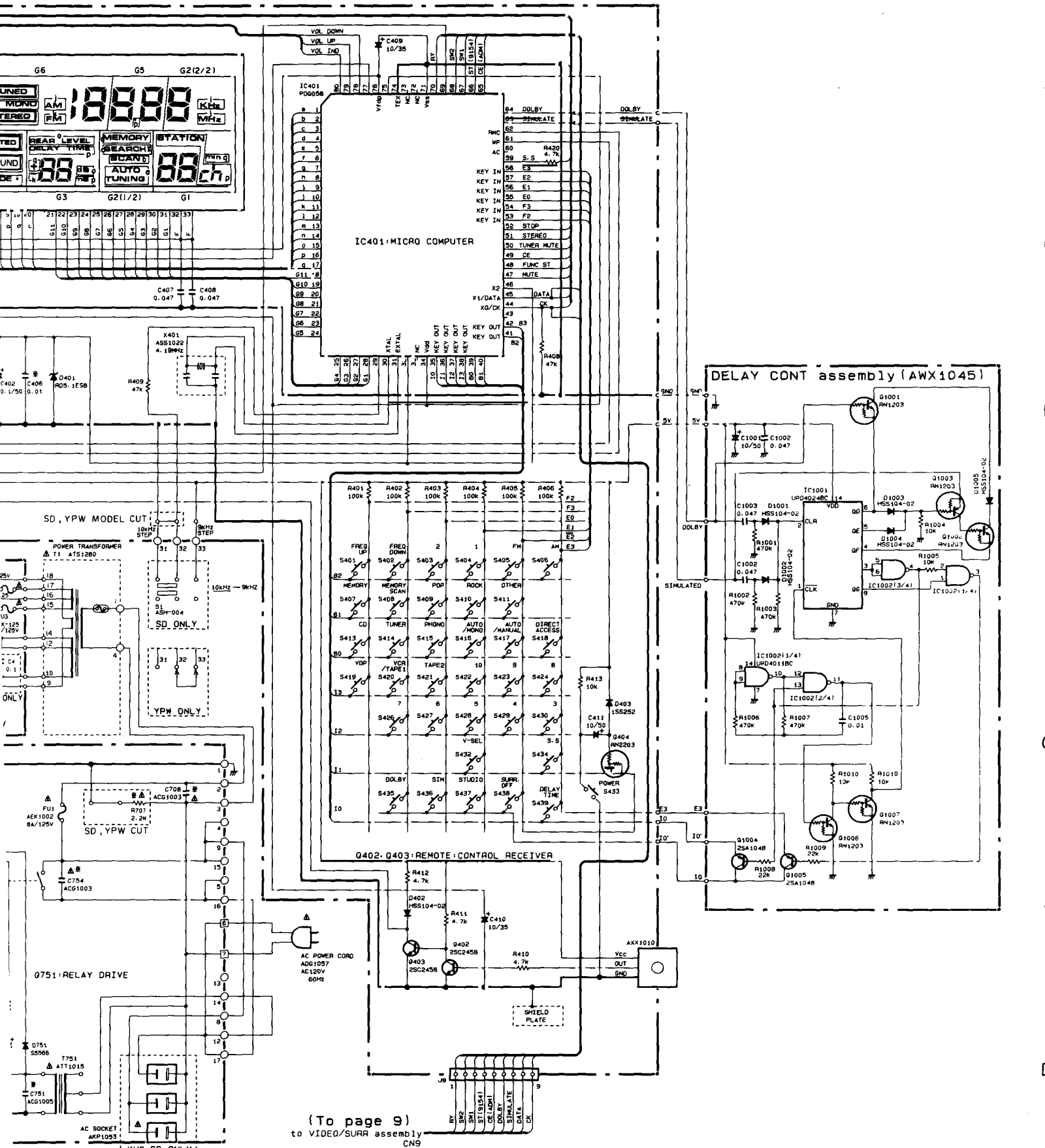
MULTI ROOM REMOTE

SR REMOTE

G752: BUFFER

Q751: RELAY DRIVE

AC SOCKET
 AKP1053



(To page 9)
to VIDEO/SURR assembly
CNS