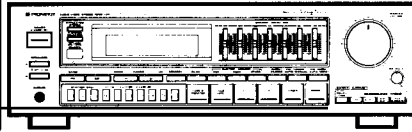


# Service Manual



ORDER NO.  
**ARP2060**

AUDIO/VIDEO STEREO RECEIVER

# VSX-3700S

## VSX-3600

MODELS VSX-3700S AND VSX-3600 HAVE FOLLOWING VERSIONS :

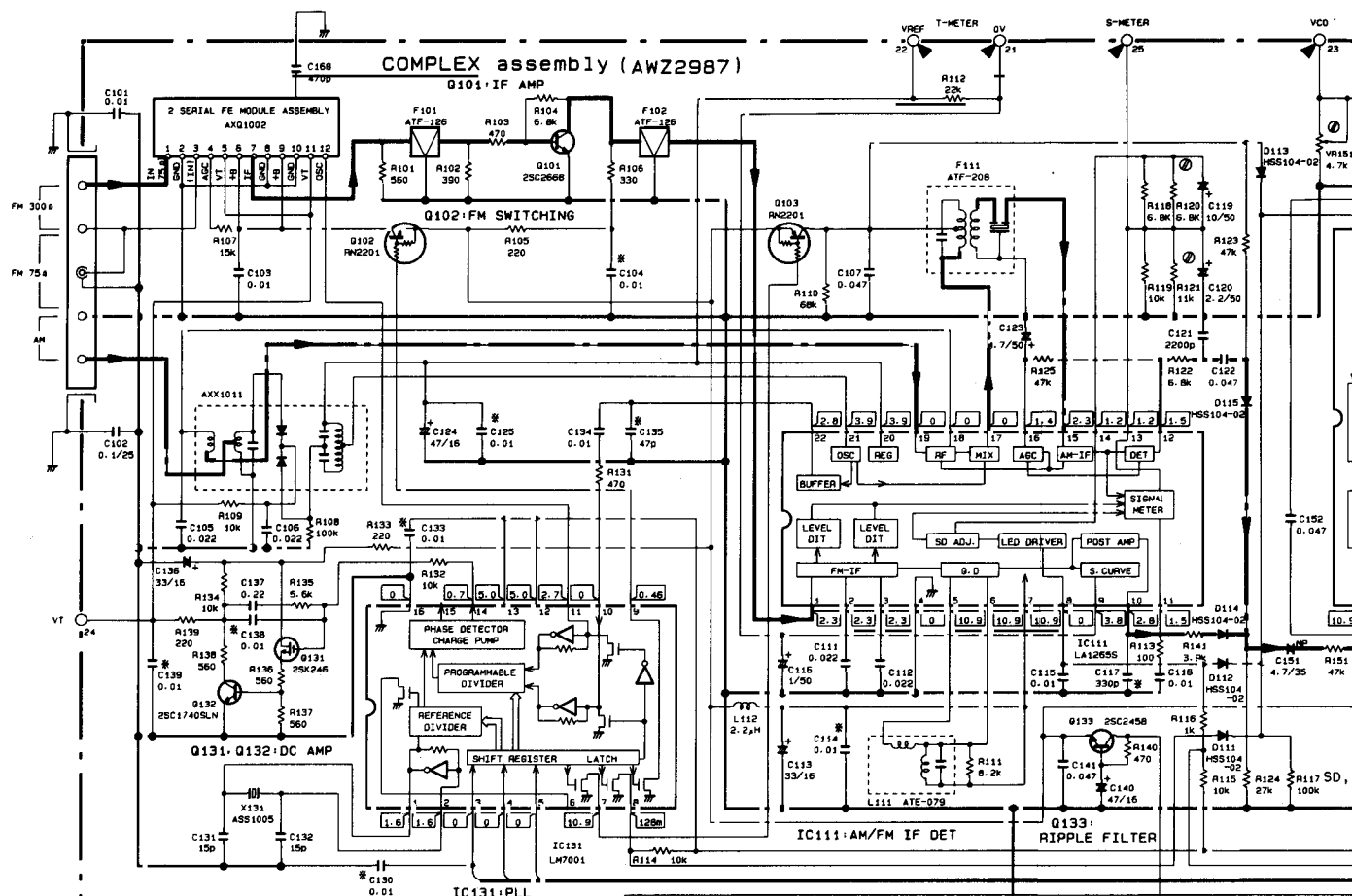
Type	Applicable model		Power requirement	Destination
	VSX-3700S	VSX-3600		
KUC	○	○	AC120V only	U.S.A. and Canada
SD	—	○	AC110V, 120-127V, 220V, 240V (switchable)	Kingdom of Saudi Arabia and General market
YPW	—	○	AC240V only	Australia

- This manual is applicable to the VSX-3700S/KUC, VSX-3600/KUC, SD and YPW types.
- As to the VSX-3600/KUC, SD and YPW types, refer to pages 42-44.
- The " S " at the end of the model number indicates that a programable remote control unit is supplied.

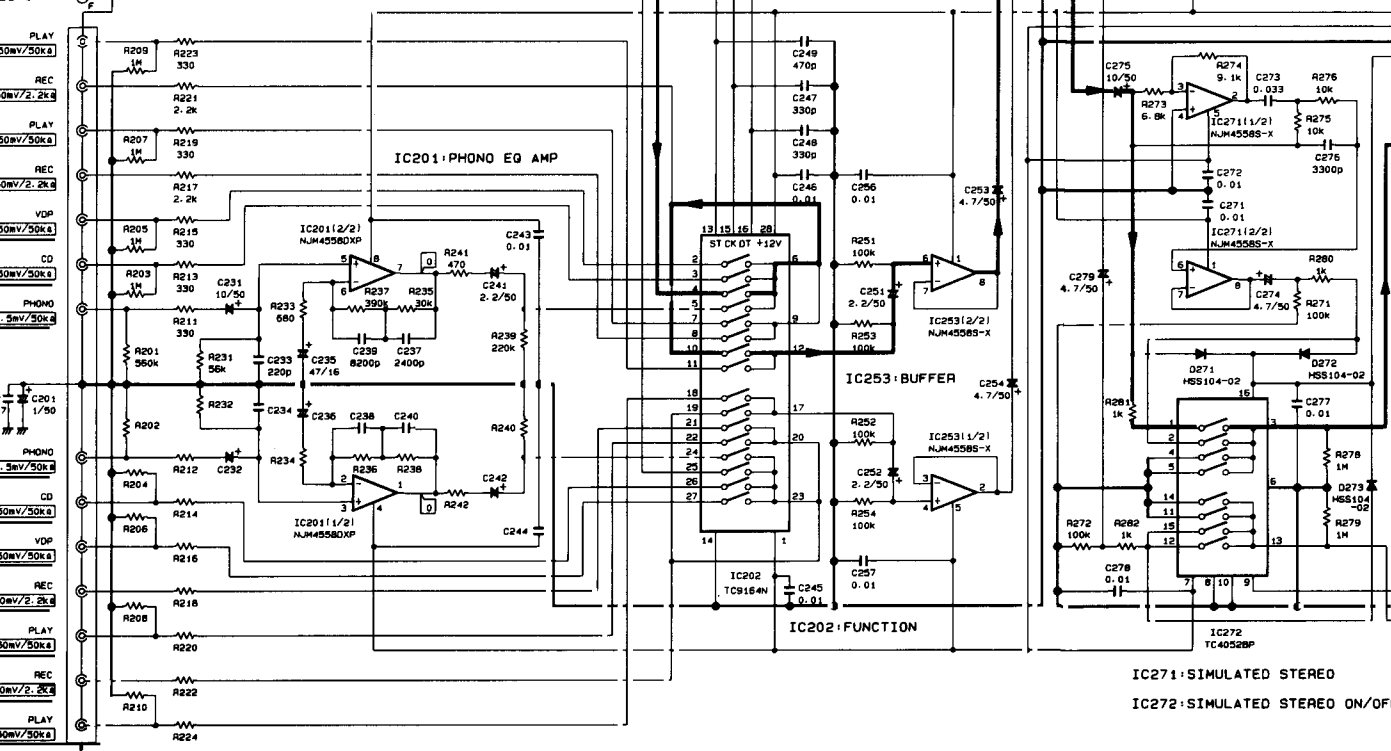
## CONTENTS

1. SAFETY INFORMATION .....	2	6. ADJUSTMENTS .....	33
2. SPECIFICATIONS .....	3	7. IC INFORMATION .....	35
3. EXPLODED VIEWS, PACKING AND PARTS LIST .....	4	8. REMOTE CONTROL UNIT (AXD1150) .....	37
4. SCHEMATIC DIAGRAM AND P.C.BOARDS CONNECTION DIAGRAM .....	8	9. FOR VSX-3600/KUC, SD AND YPW TYPES .....	42
5. P.C.B 's PARTS LIST .....	27	10. PANEL FACILITIES .....	44

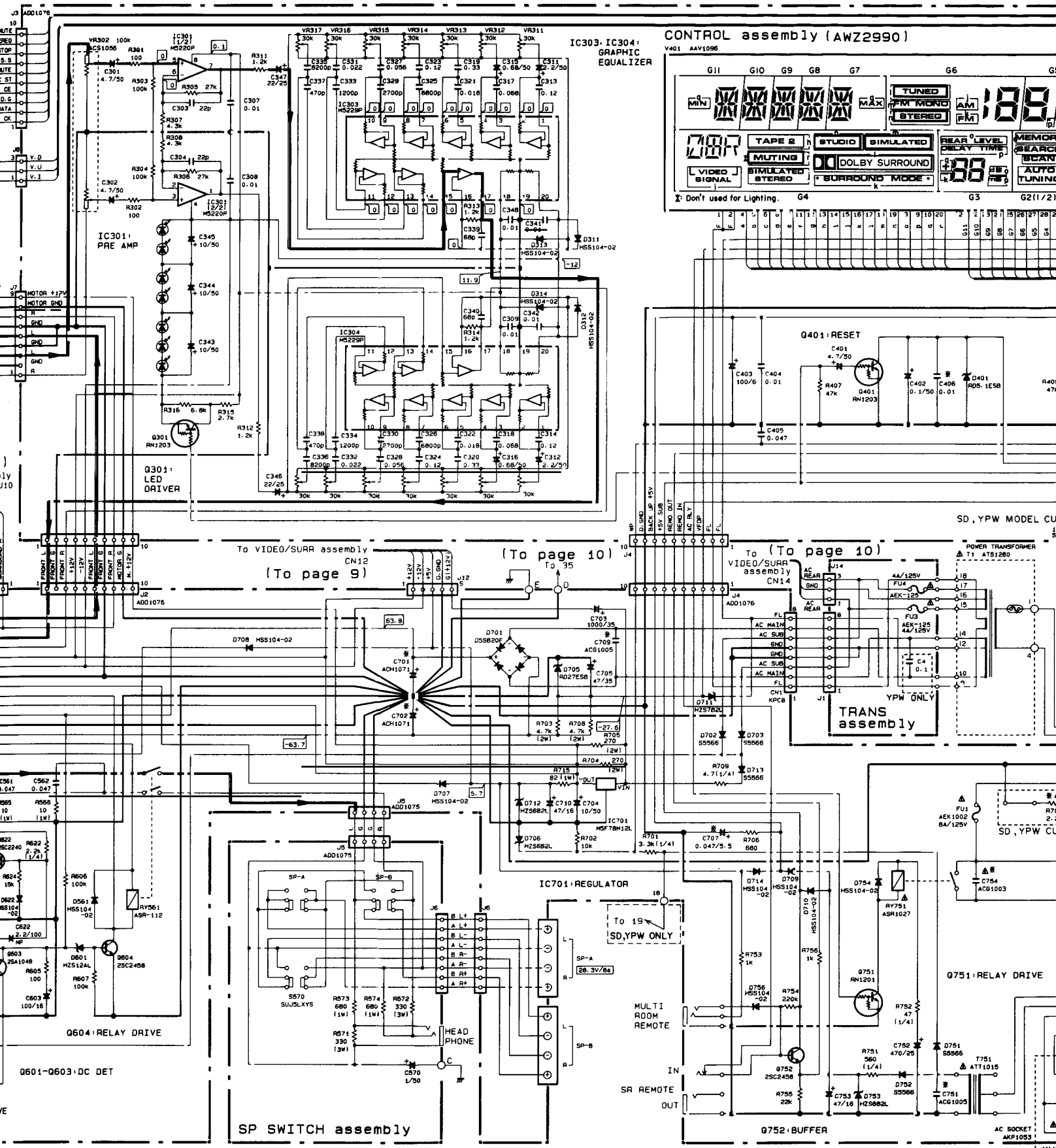
VSX-3700S  
VSX-3600



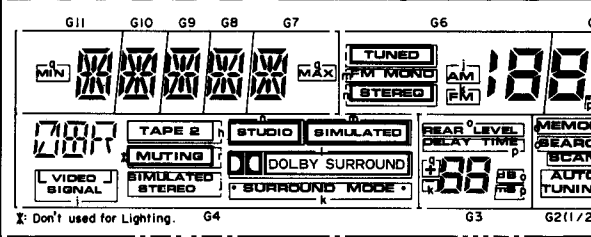
(To page 9)







**CONTROL assembly (AW2990)**  
 V401 AAV1096



To VIDEO/SURR assembly  
 (To page 9)  
 CN12

(To page 10)  
 To 35

To (To page 10)  
 VIDEO/SURR assembly  
 CN14

**TRANS assembly**

**SP SWITCH assembly**

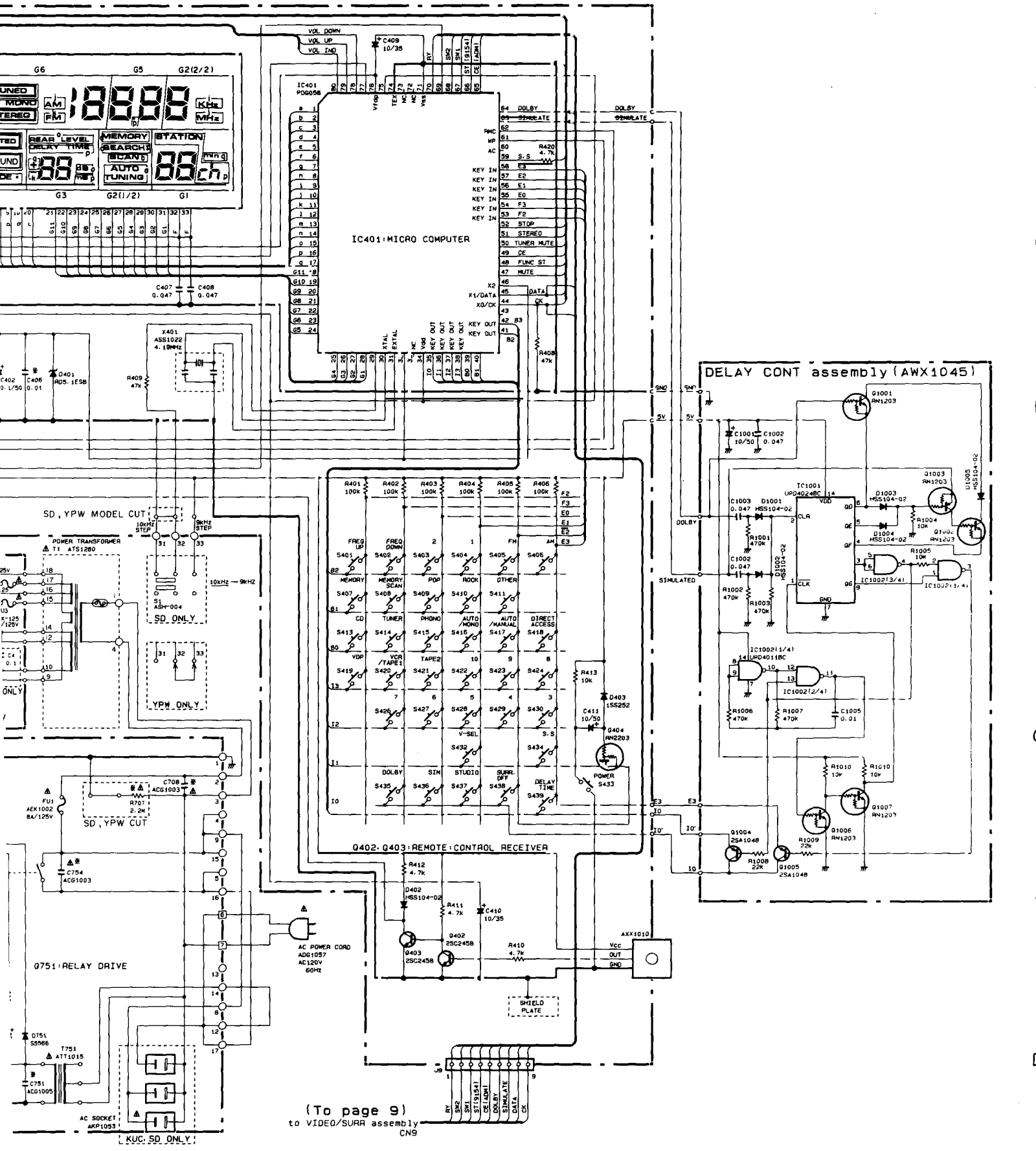
**G752: BUFFER**

**Q751: RELAY DRIVE**

**MULTI ROOM REMOTE**

**SR REMOTE**

AC SOCKET  
 AKP1053



(To page 9)  
to VIDEO/SURR assembly  
CN9