

1589

 **PIONEER®**
The Art of Entertainment

Service Manual

ORDER NO.
RRZ1360

AUDIO/VIDEO STEREO RECEIVER

VSX-D3S

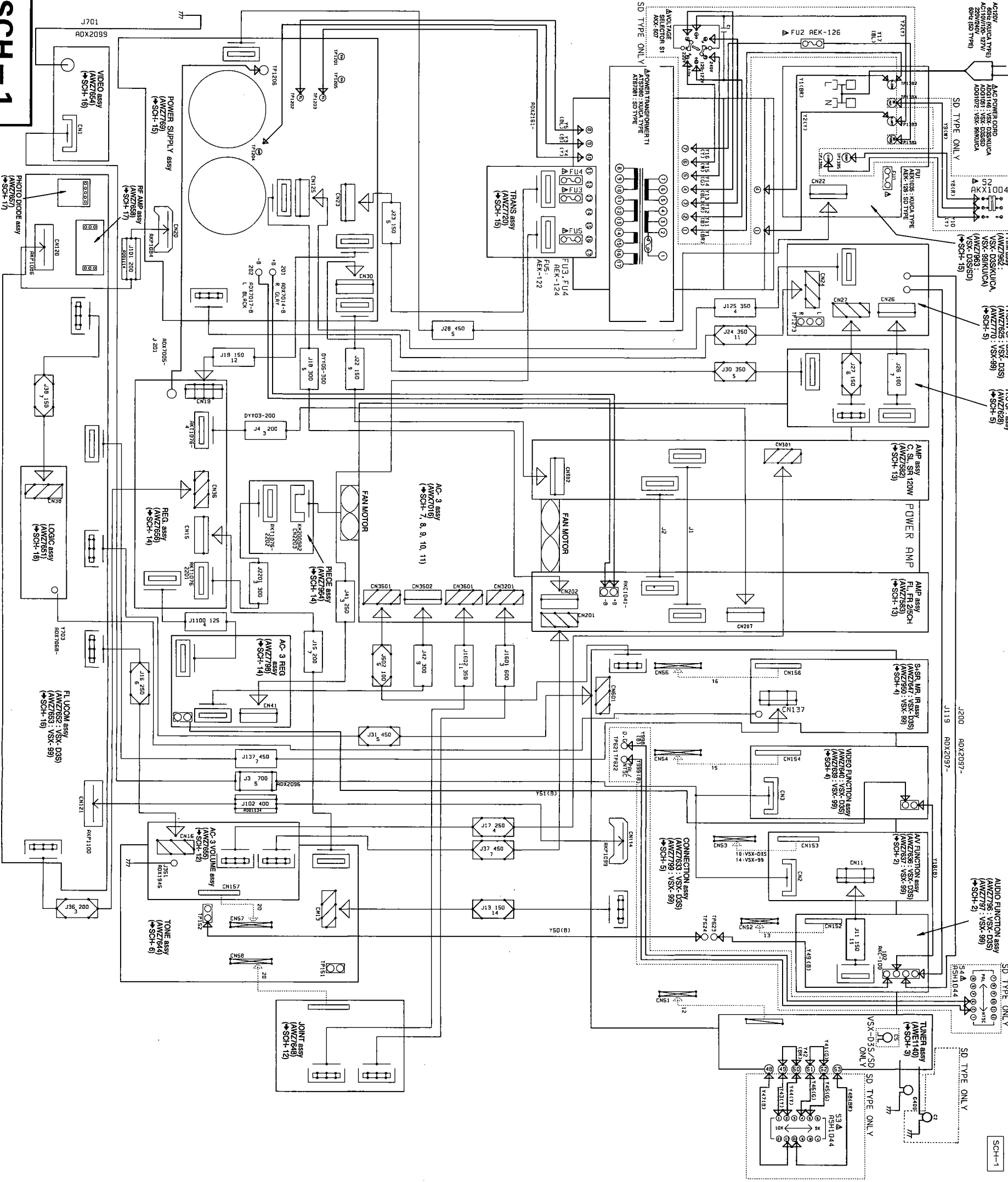
VSX-99

PIONEER ELECTRONIC CORPORATION 4-1, Meguro 1-Chome, Meguro-ku, Tokyo 153, Japan
PIONEER ELECTRONICS SERVICE, INC. P.O. Box 1760, Long Beach, CA 90801-1760, U.S.A.
PIONEER ELECTRONIC [EUROPE] N.V. Haven 1087 Keetberglaan 1, 9120 Melsele, Belgium
PIONEER ELECTRONICS ASIACENTRE PTE. LTD. 501 Orchard Road, #10-00 Lane Crawford Place, Singapore 0923
© **PIONEER ELECTRONIC CORPORATION 1995**



3. SCHEMATIC AND PCB CONNECTION DIAGRAMS

3.1 OVERALL SCHEMATIC DIAGRAM



SCH-1

OVERALL SCHEMATIC DIAGRAM

OVERALL SCHEMATIC DIAGRAM

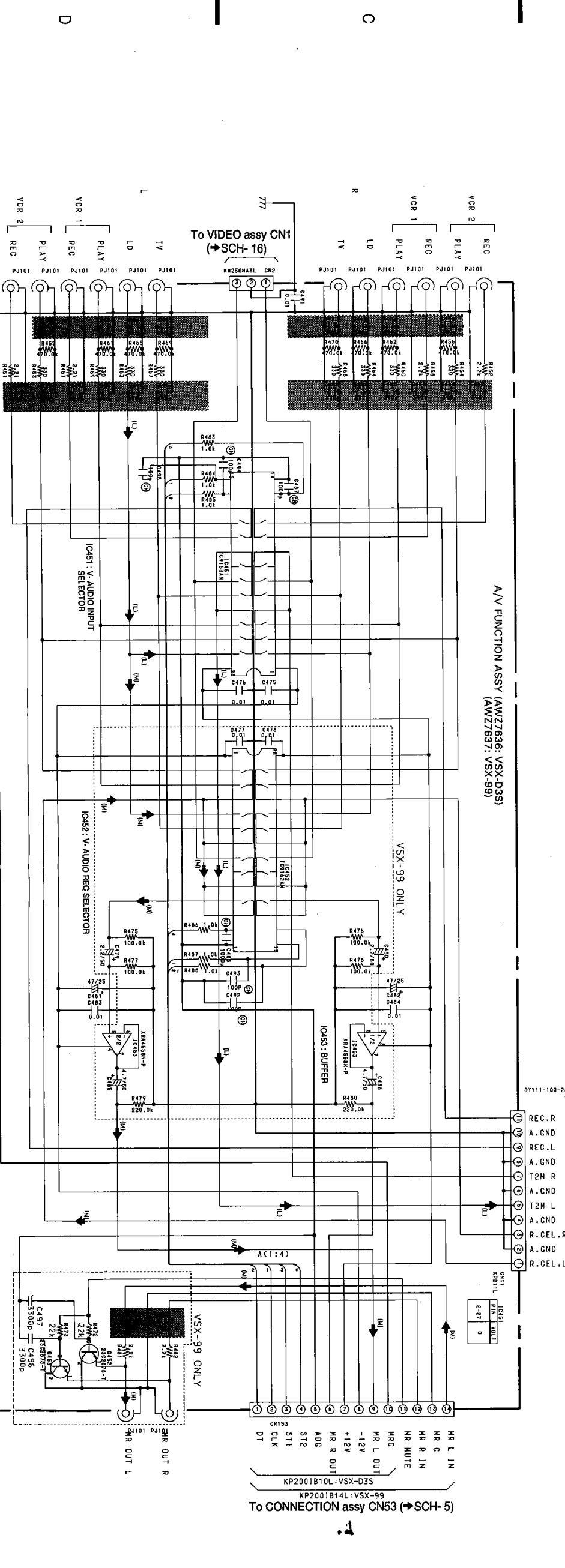
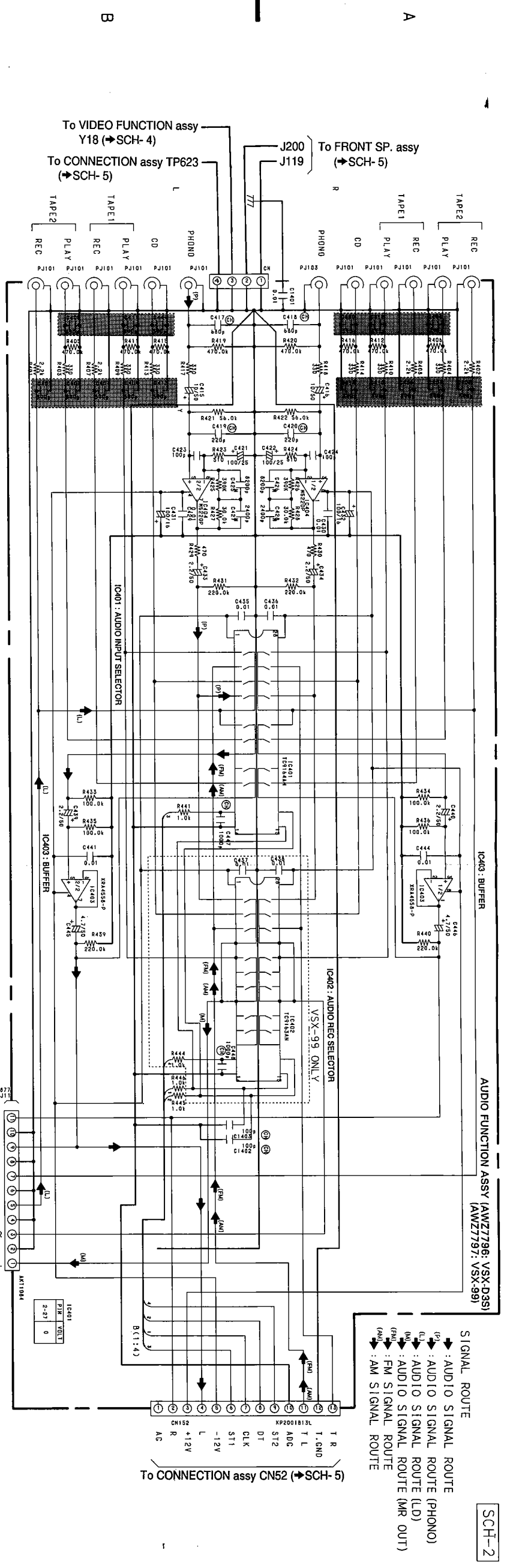
SCH-1

NOTE FOR SCHEMATIC DIAGRAMS

(Type 1A)

- When ordering service parts, be sure to refer to "PARTS LIST of EXPLODED VIEWS" or "PCB PARTS LIST".
- Since these are basic circuits, some parts of them or the values of some components may be changed for improvement.
- RESISTORS:**
Unit: k:K, M:MO, or Ω unless otherwise noted.
Rated power: 1/4W, 1/6W, 1/8W, 1/10W unless otherwise noted.
Tolerance: (F): ±1%, (G): ±2%, (K): ±10%, (M): ±20% or ±5% unless otherwise noted.
- CAPACITORS:**
Unit: p:pF or μF unless otherwise noted.
Ratings: capacitor (μF) voltage (V) unless otherwise noted.
Rated voltage: 50V except for electrolytic capacitors.
- COILS:**
Unit: m:mH or μH unless otherwise noted.
- VOLTAGE AND CURRENT:**
V: Signal voltage at rated output.
or - V: DC voltage (V) at no input signal unless otherwise noted.
mA or - mA: Value in () is DC voltage at rated power.
DC current at no input signal unless otherwise noted.
- OTHERS:**
⊙ or ⊛: Adjusting point.
⊙ or ⊛: Measurement point.
• The Δ mark found on some component parts indicates the importance of the safety factor of the parts. Therefore, when replacing, be sure to use parts of identical designation.
- SCH- ON THE SCHEMATIC DIAGRAM:**
• SCH-□ indicates the drawing number of the schematic diagram. (SCH stands for schematic diagram.)
- SWITCHES (Underline indicates switch position):**
FL UCCOM assy
S701 VCR2
S702 POWER STANDBY/ON
S703 INPUT ATT
S704 VIDEO
S705 RETURN
S706 GUI MODE
S707 TV/SAT
S708 SPEAKERS A
S709 GUI ENTER
S710 RESET
S711 LD
S712 SPEAKERS B
S713 SELECT
S714 TAPE1
S744 TAPE1
S746 SUPER BASS (VSX-D3S TYPE)
S717 THEATER BASS (VSX-99 TYPE)
S719 TAPE MONITOR
S720 MEMORY
S722 PHONO
S722 MPX MODE
S723 TUNER
S724 SLEEP (VSX-D3S TYPE)
MULTI-ROOM & SOURCE (VSX-99 TYPE)
FM/AM
S725 CD
S726 DIRECT (VSX-D3S TYPE)
S727 PURE LINE (VSX-99 TYPE)
S728 DSP MODE
S729 AC-3
S730 VCR1
S731 DOLBY PRO-LOGIC
S732 DSP OFF
S1281 CENTER SPEAKER SELECTOR
I-II

3.2 AUDIO FUNCTION ASSY AND A/V FUNCTION ASSY



SCH-2

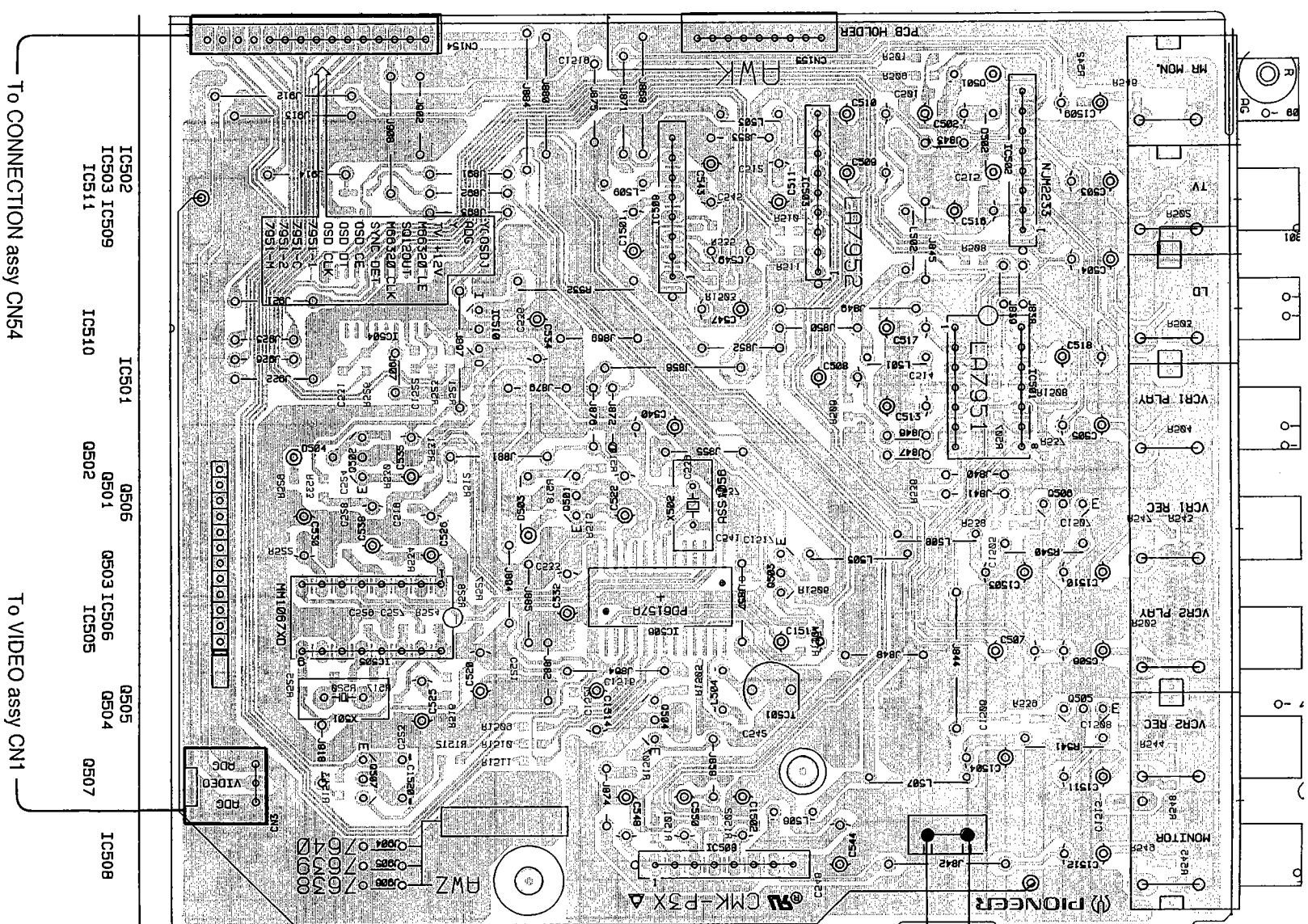
AUDIO FUNCTION ASSY,
A/V FUNCTION ASSY

NOTE: Sections marked with are not used
for VSX-D3S and VSX-99.

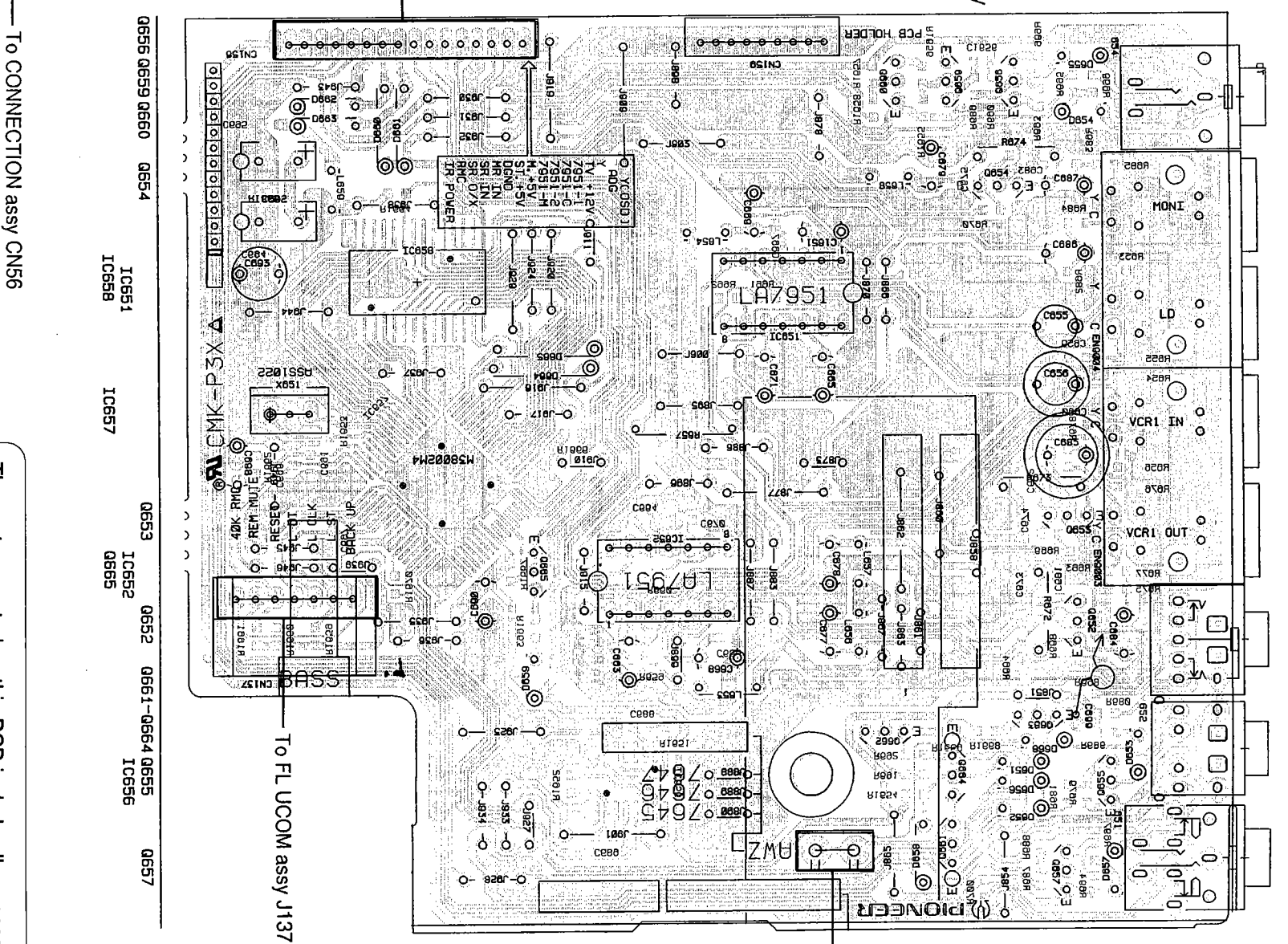
AUDIO FUNCTION ASSY,
A/V FUNCTION ASSY

SCH-2

VIDEO FUNCTION ASSY



S+SR, MR, IR ASSY

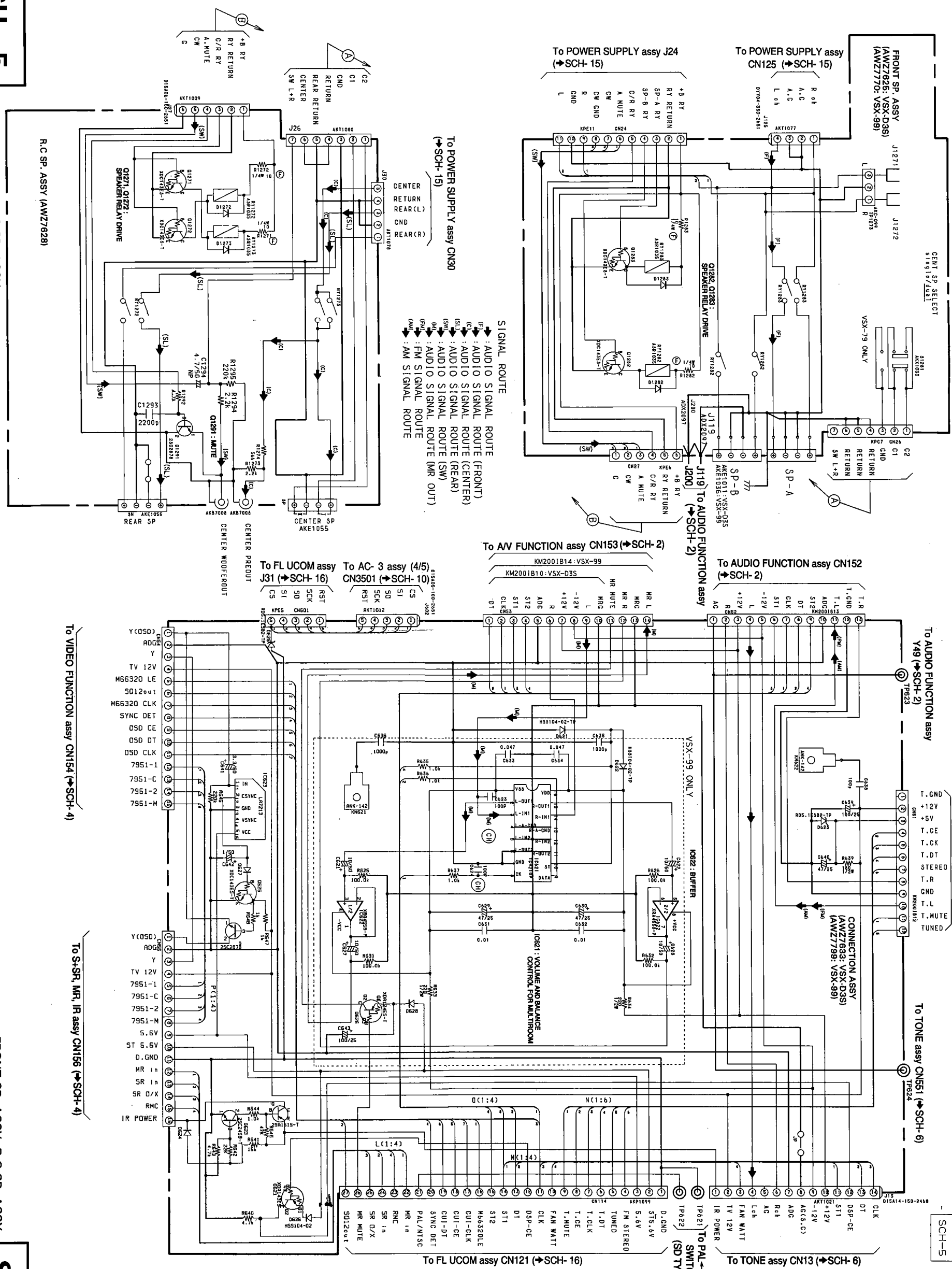


• This diagram is viewed from the mounted parts side.

The parts mounted on this PCB include all necessary parts for several destinations. For further information for respective destinations, be sure to check with the schematic diagram.

3.5 FRONT SP. ASSY, R.C SP. ASSY AND CONNECTION ASSY

2 3 4 5 6



SCH-5

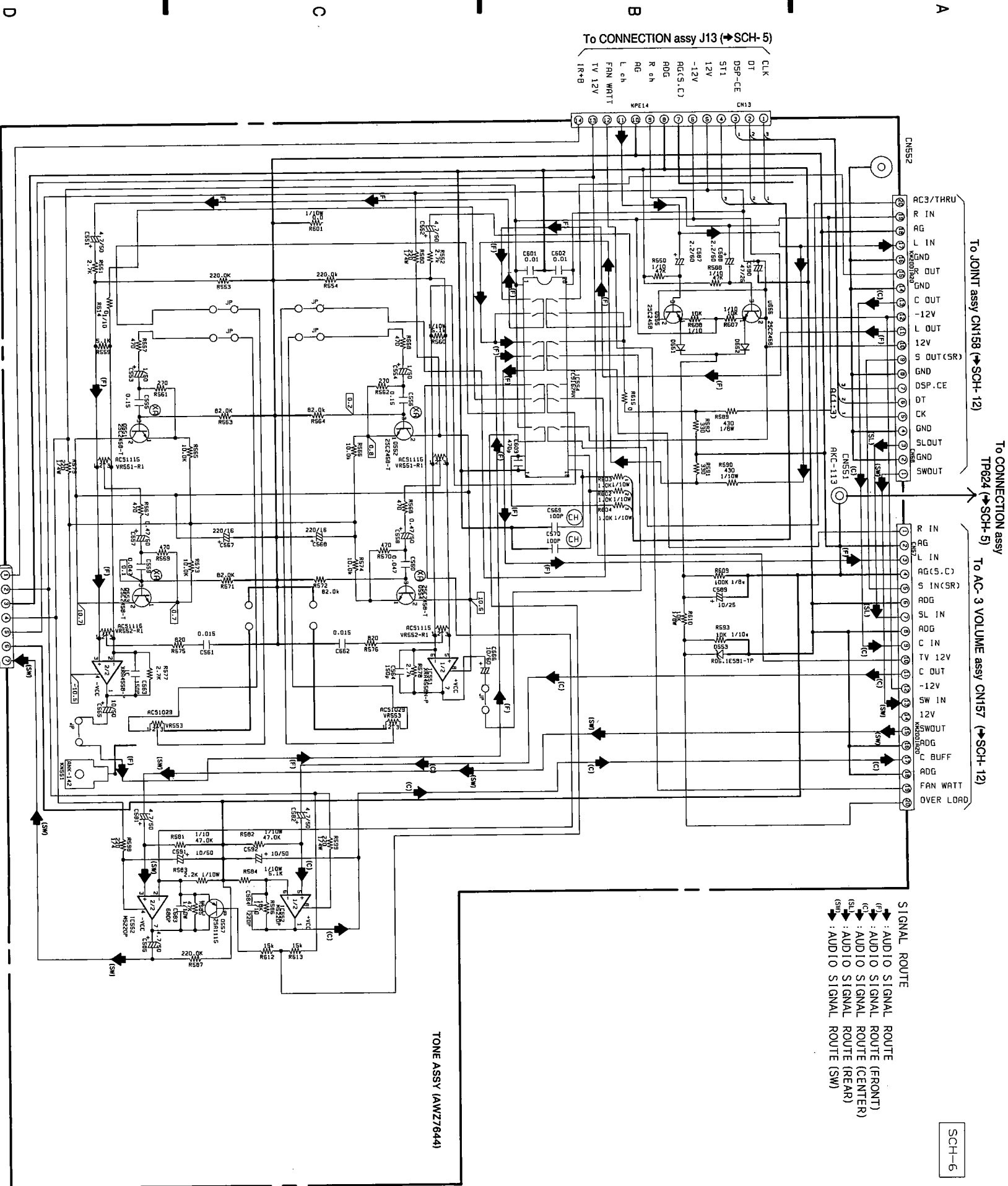
FRONT SP. ASSY, R.C SP. ASSY, CONNECTION ASSY

SCH-5

SCH-5

FRONT SP. ASSY, R.C SP. ASSY, CONNECTION ASSY

3.6 TONE ASSY

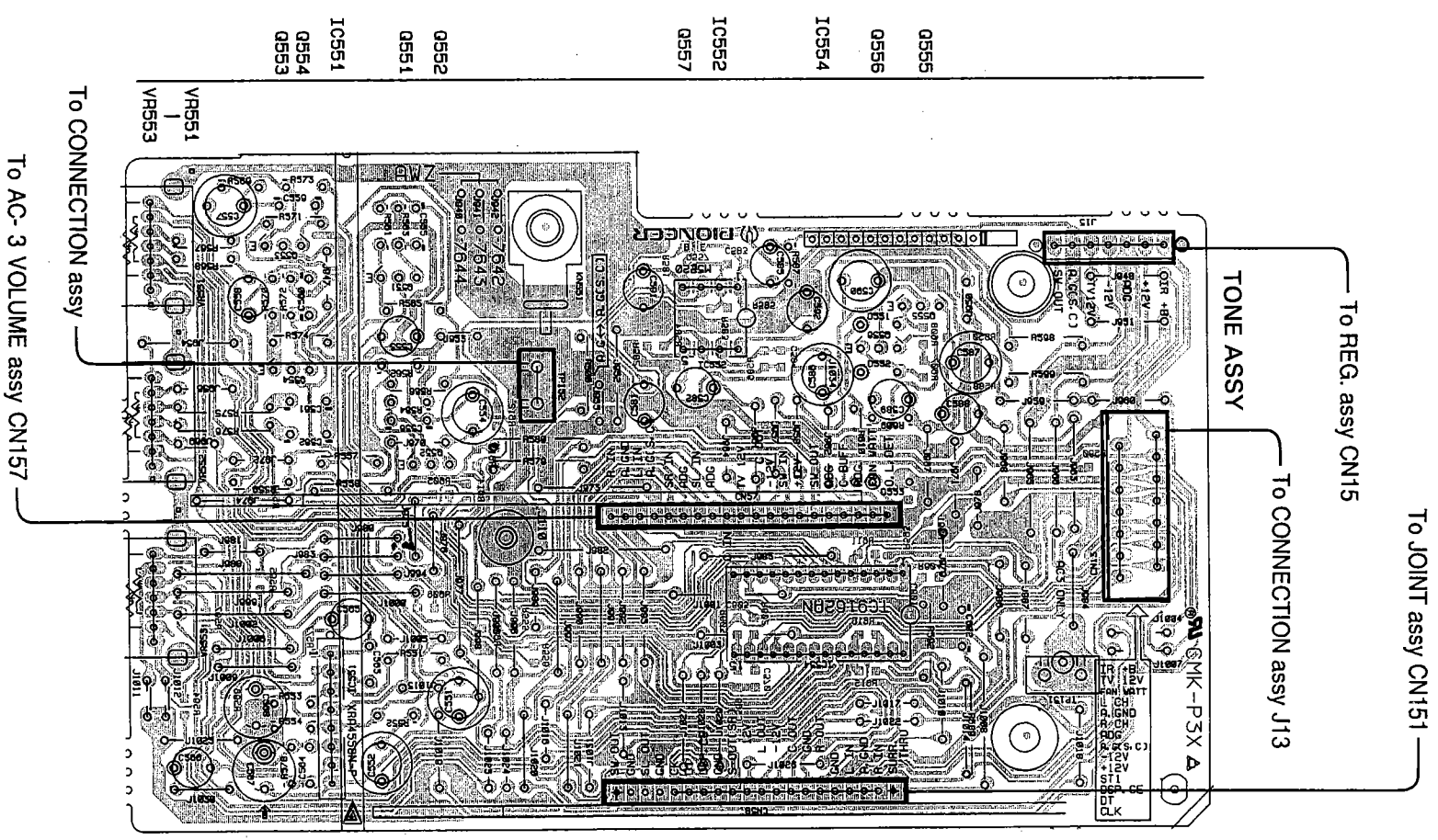


SCH-6

TONE ASSY

SCH-6

TONE ASSY



The parts mounted on this PCB include all necessary parts for several destinations. For further information for respective destinations, be sure to check with the schematic diagram.

3.7 AC-3 ASSY

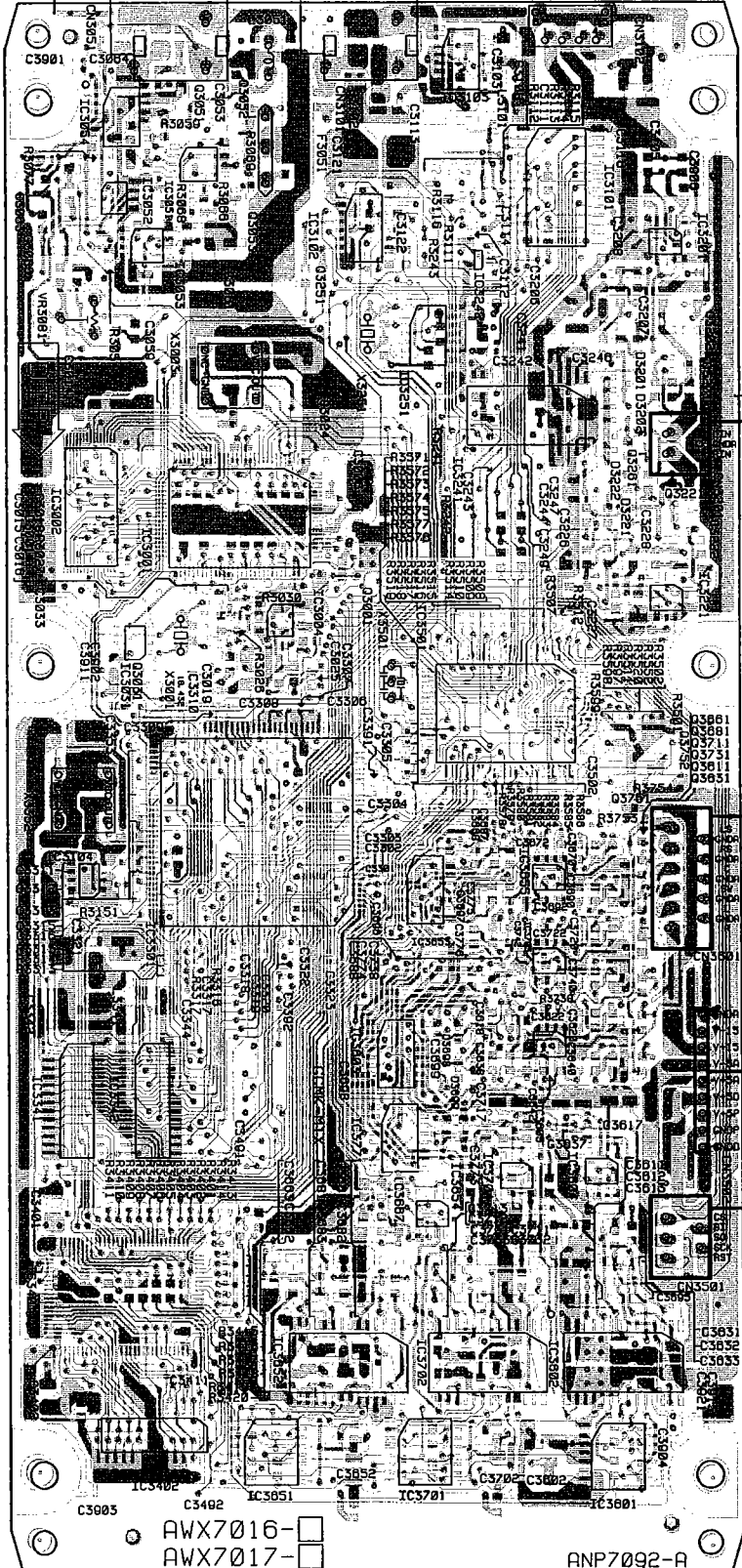
- This diagram is viewed from the pink colored foil side.
 - This is a multi-layer PCB.
- But information for both sides is shown.

A

AC-3 ASSY

A

- IC3103
- Q3052
- Q3051
- IC3054
- IC3051
- IC3052
- IC3101
- IC3102
- Q3053
- IC3201
- IC3242
- Q3251
- IC3251
- VR3081
- Q3201
- IC3241
- Q3261
- Q3221
- IC3002
- IC3001
- Q3001
- IC3221
- IC3004
- IC3031
- Q3031
- Q3661
- IC3501
- Q3681
- Q3711
- Q3731
- Q3611
- Q3752
- IC3301
- Q3631
- Q3751
- IC3104
- IC3653
- IC3655
- IC3705
- IC3603
- IC3605
- IC3341
- IC3342
- IC3771
- IC3604
- IC3704
- IC3654
- IC3401
- IC3702
- IC3652
- IC3602
- IC3402
- IC3701
- IC3601
- IC3651



To JOINT assy J1601

To JOINT assy J1602

To AC-3 REG assy J42

To CONNECTION assy J602

B

C

D

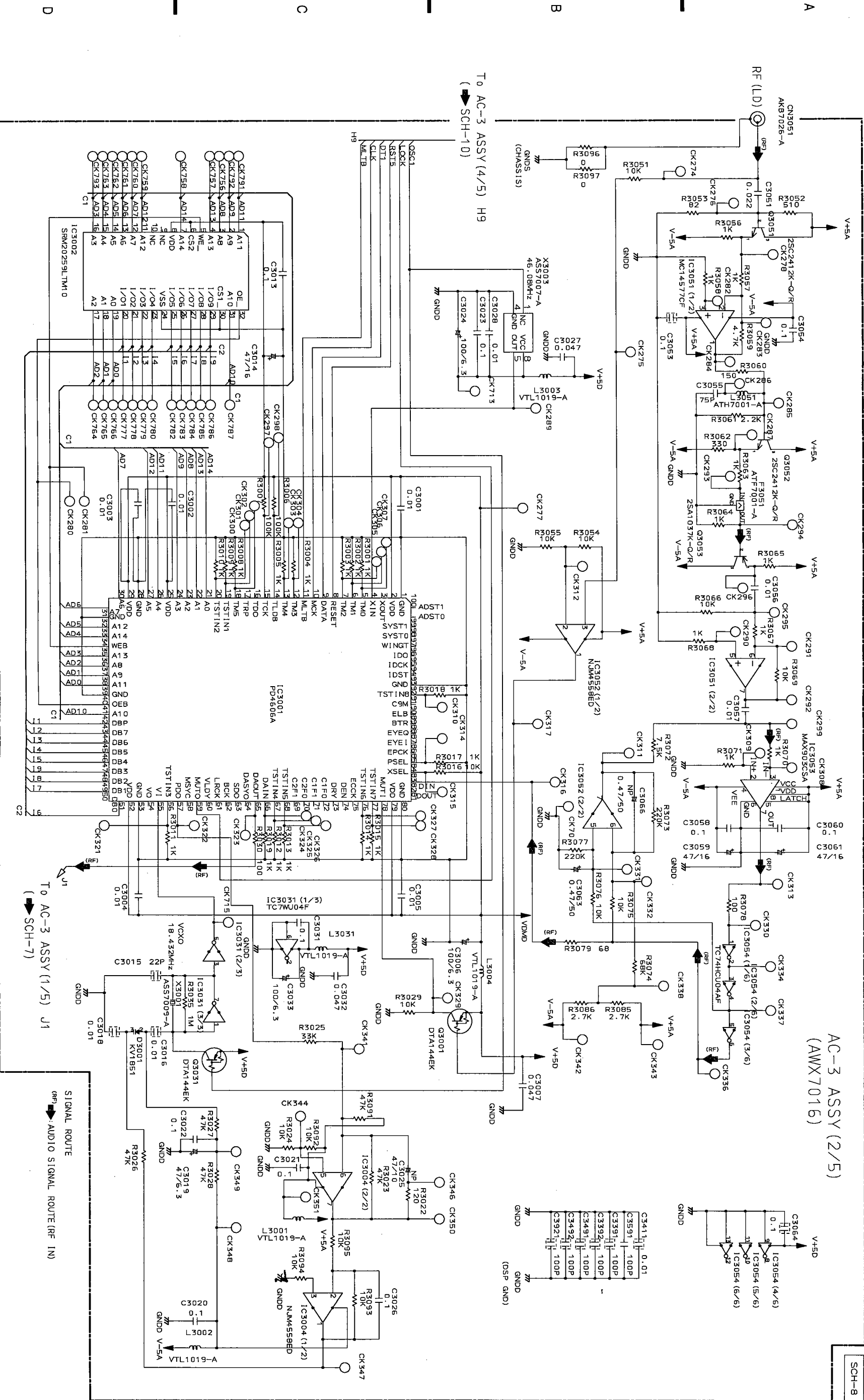
AWX7016-
AWX7017-

ANP7092-A

The parts mounted on this PCB include all necessary parts for several destinations. For further information for respective destinations, be sure to check with the schematic diagram.

AC-3 ASSY (2/5)
DEMULATOR BLOCK

AC-3 ASSY (2/5)
(AWX7016)



SCH-8

AC-3 ASSY (2/5)

SCH-8

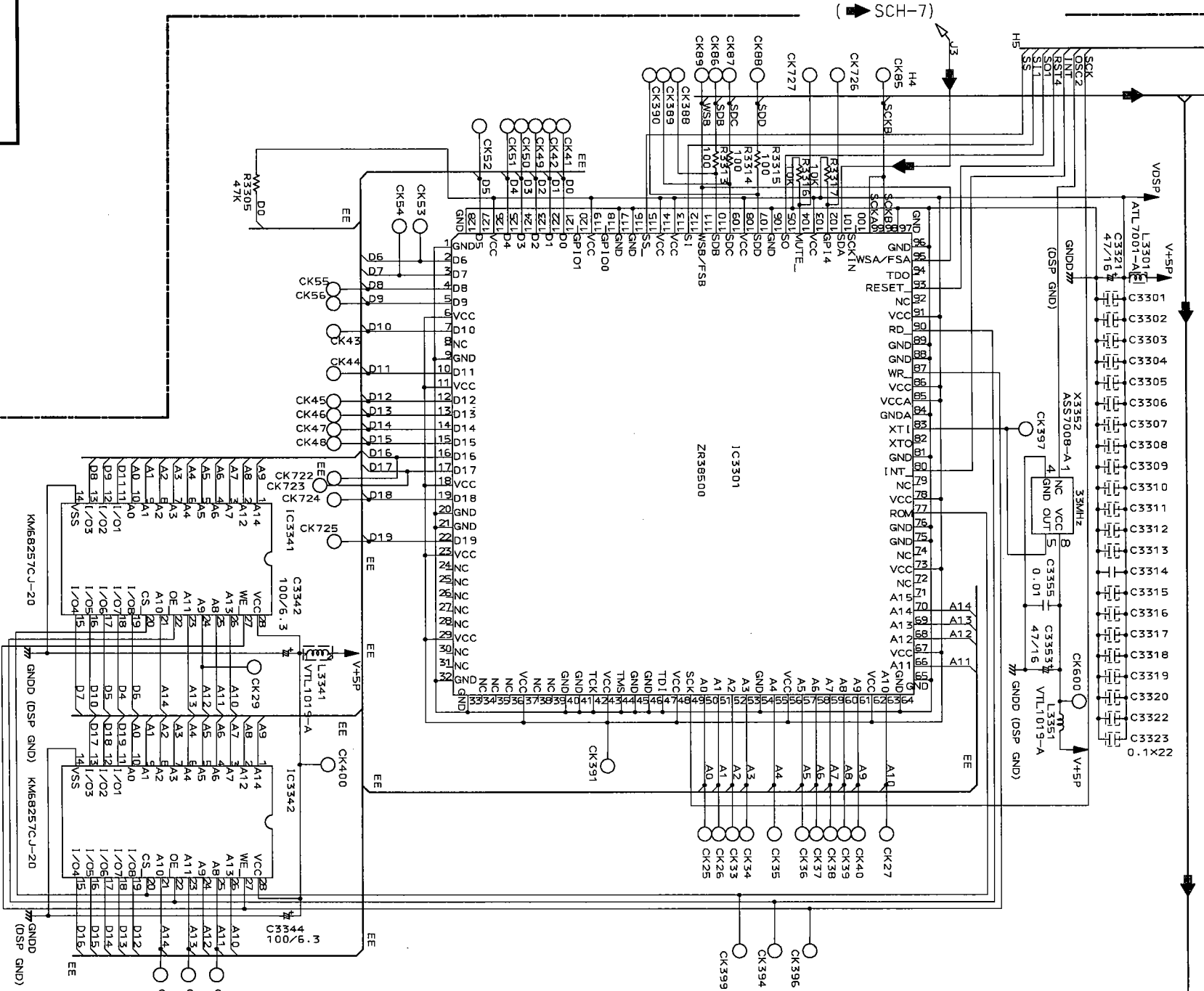
AC-3 ASSY (2/5)

AC-3 ASSY (3/5)
DSP BLOCK

To AC-3 ASSY (4/5) H5
(SCH-10)

To AC-3 ASSY (1/5) H4
(SCH-7)

To AC-3 ASSY (1/5) J3
(SCH-7)



SCH-9

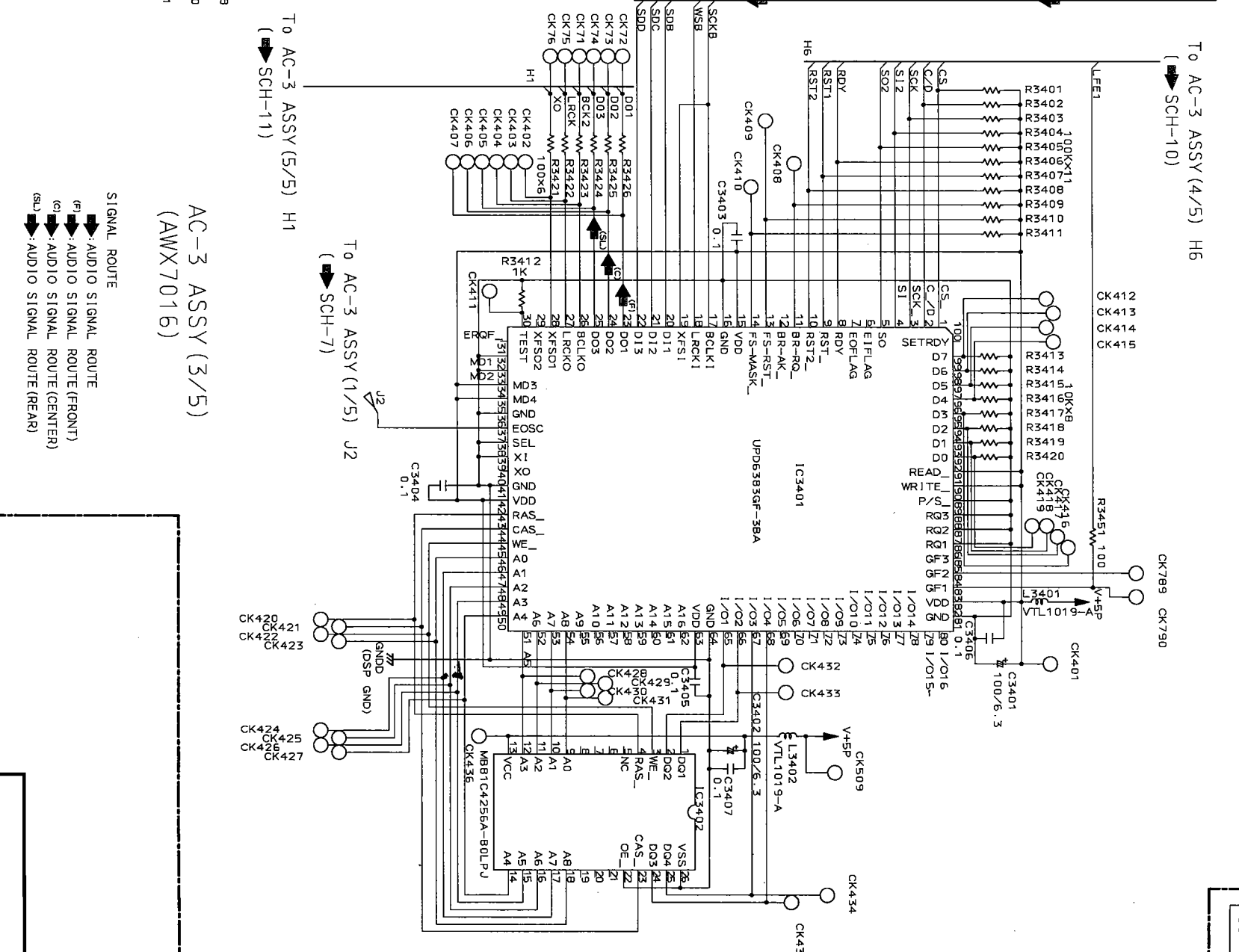
AC-3 ASSY (3/5)

To AC-3 ASSY (4/5) H6
(SCH-10)

To AC-3 ASSY (5/5) H1
(SCH-11)

To AC-3 ASSY (1/5) J2
(SCH-7)

AC-3 ASSY (3/5)
(AWX7016)



SIGNAL ROUTE
 (F) AUDIO SIGNAL ROUTE
 (G) AUDIO SIGNAL ROUTE (FRONT)
 (H) AUDIO SIGNAL ROUTE (CENTER)
 (S) AUDIO SIGNAL ROUTE (REAR)

AC-3 ASSY (3/5)

SCH-9

SCH-10

AC-3 ASSY (4/5)
(AWX7016)

To AC-3 ASSY (5/5) H2
(SCH-11)

To AC-3 ASSY (2/5) H9
(SCH-8)

To AC-3 ASSY (3/5) H5
(SCH-9)

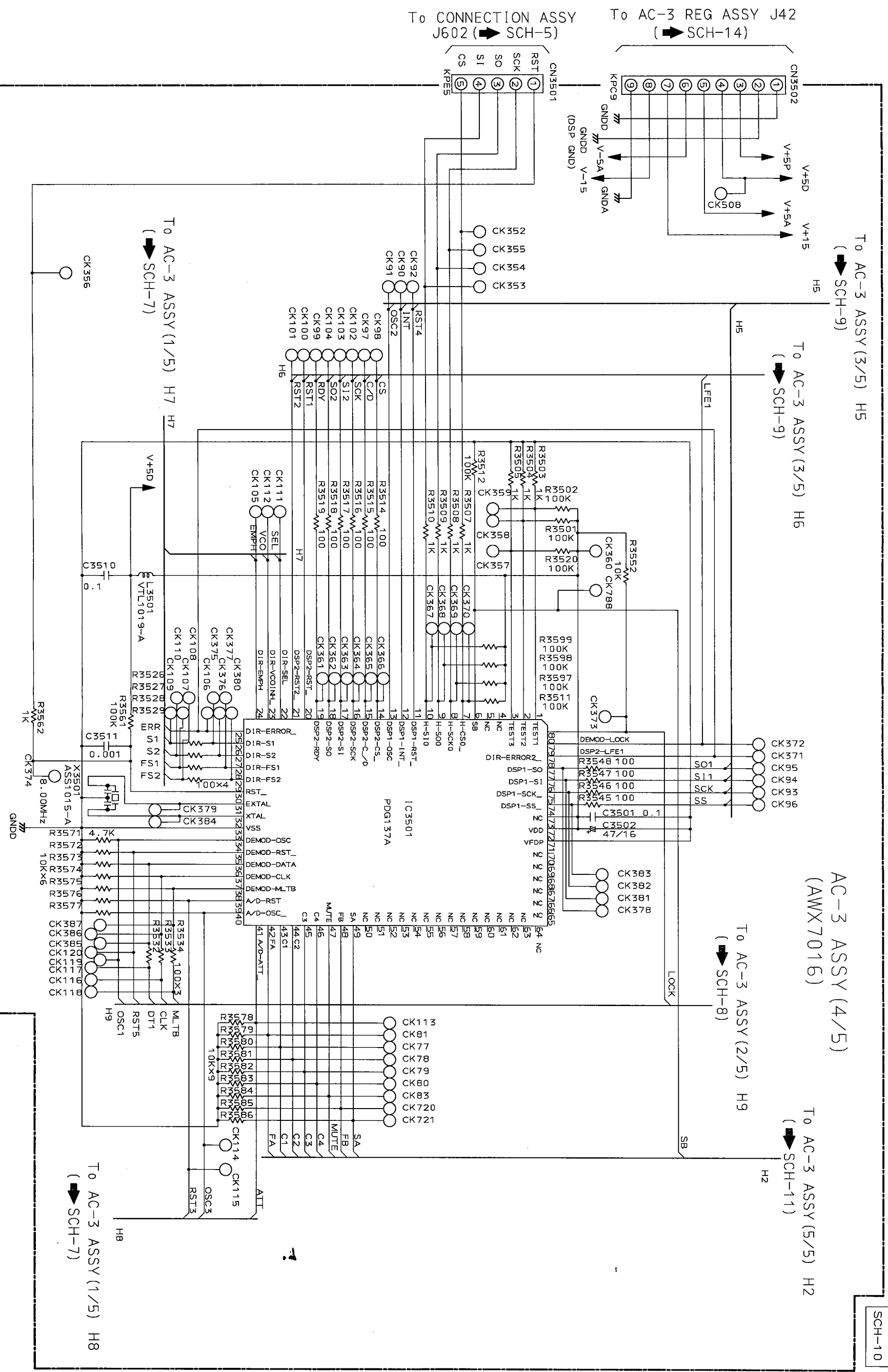
To AC-3 ASSY (3/5) H6
(SCH-9)

To AC-3 ASSY (1/5) H7 H7
(SCH-7)

To AC-3 ASSY (1/5) H8
(SCH-7)

To AC-3 REG ASSY J42
(SCH-14)

To CONNECTION ASSY
J602 (SCH-5)



SCH-10

AC-3 ASSY (4/5)

AC-3 ASSY (4/5)

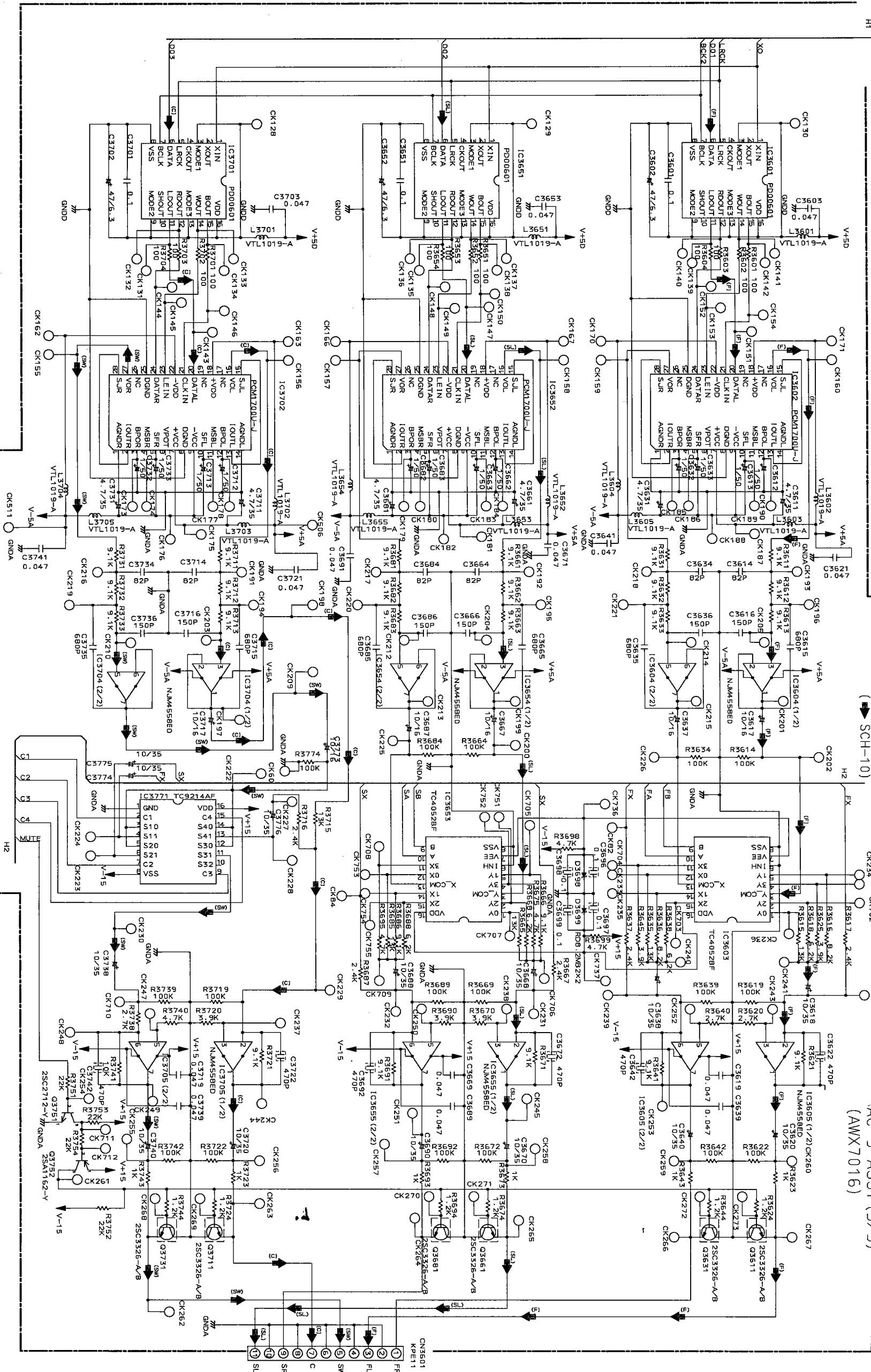
SCH-10

To AC-3 ASSY (3/5) H1
(SCH-9)

AC-3 ASSY (5/5)
(AWX7016)

To AC-3 ASSY (4/5) H2
(SCH-10)

To JOINT ASSY J1602
(SCH-12)



SCH-11

SCH-11

AC-3 ASSY (5/5)

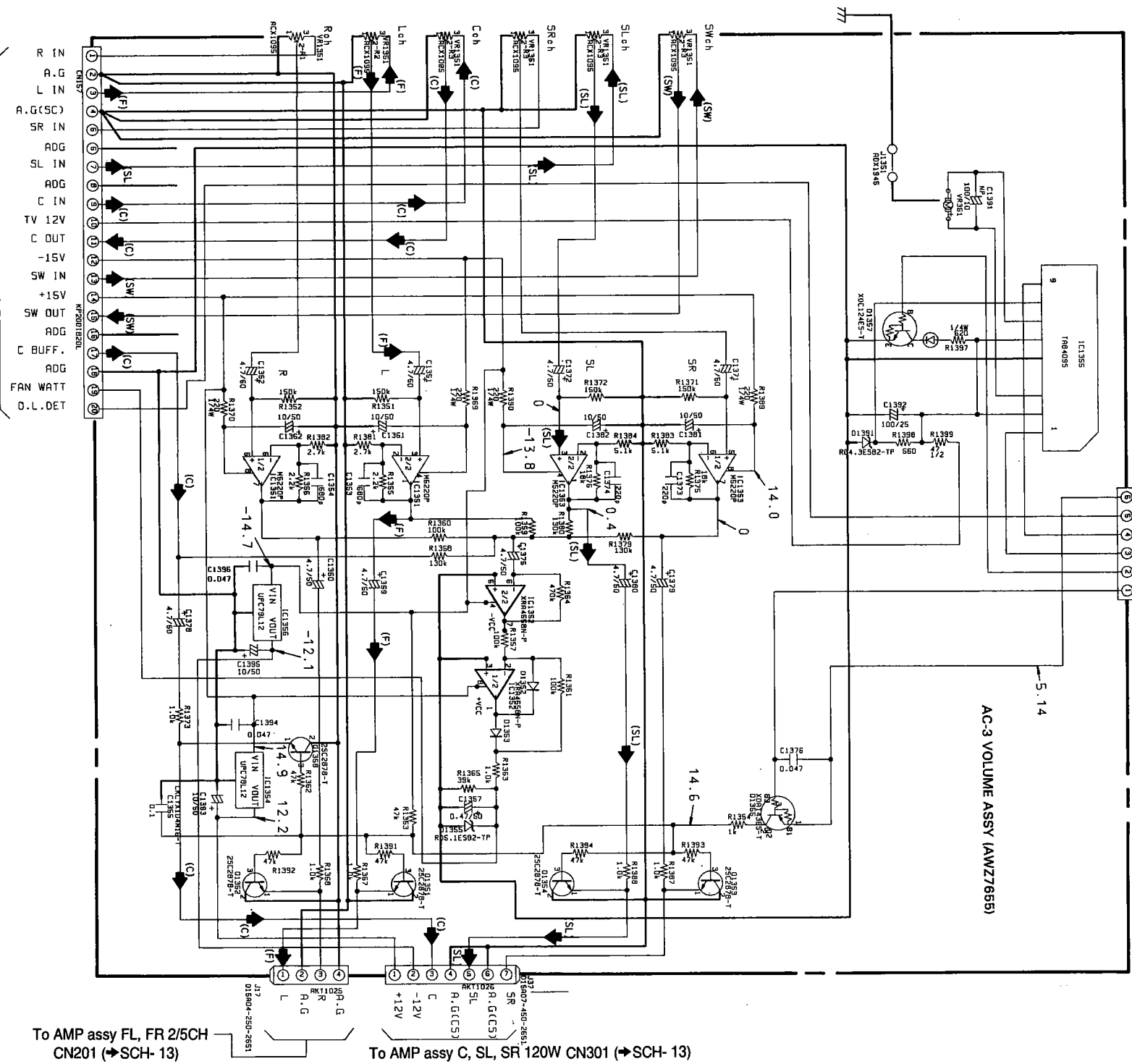
AC-3 ASSY (5/5)

3.8 AC-3 VOLUME ASSY AND JOINT ASSY

To FL UCOM assy J16 (SCH-16)

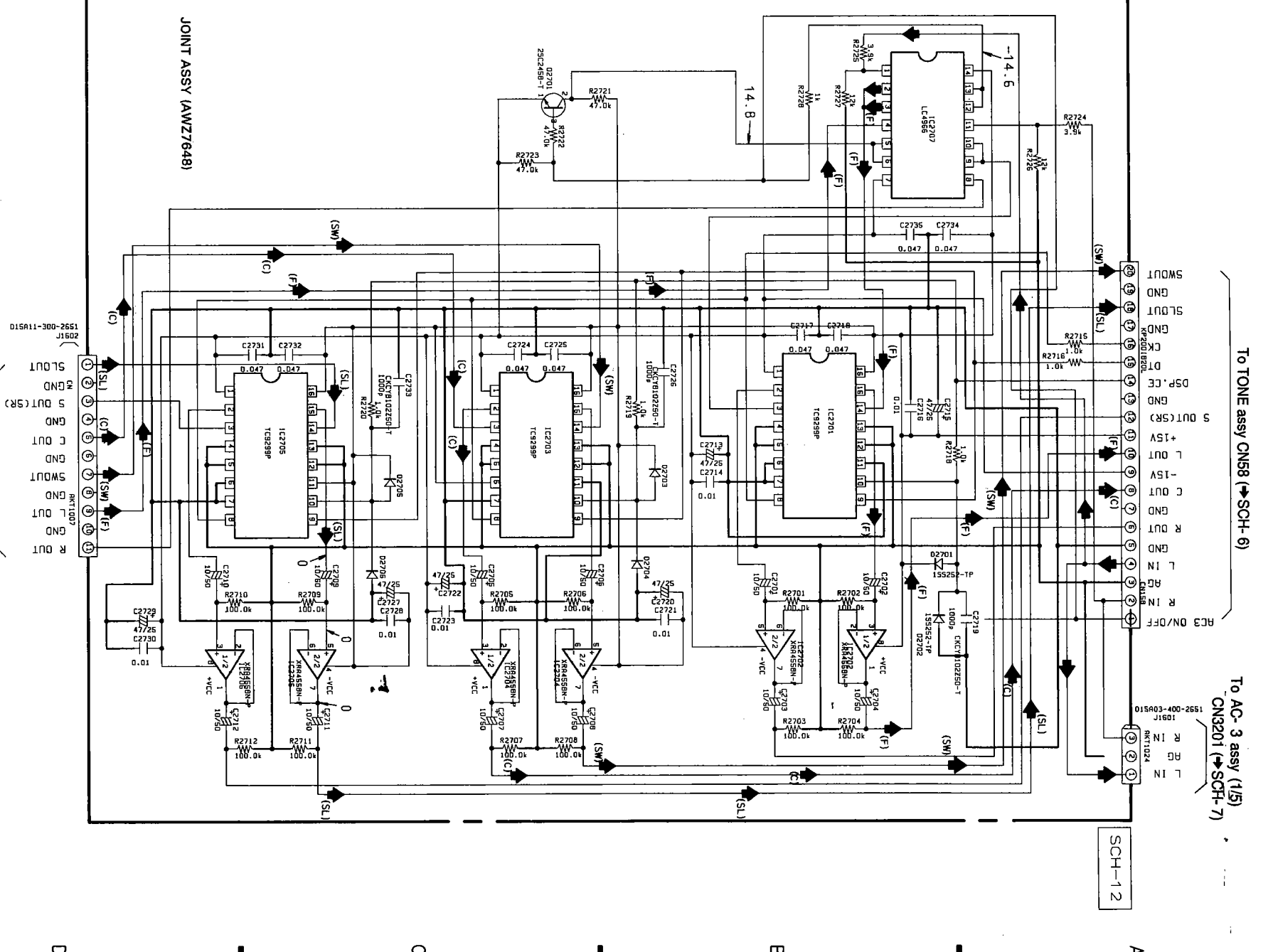
- ST 5V
- D 0
- VL DOWN
- VL UP
- VL LED
- R MUTE

- SIGNAL ROUTE
- (F) : AUDIO SIGNAL ROUTE (FRONT)
 - (C) : AUDIO SIGNAL ROUTE (CENTER)
 - (SL) : AUDIO SIGNAL ROUTE (REAR)
 - (SW) : AUDIO SIGNAL ROUTE (SW)



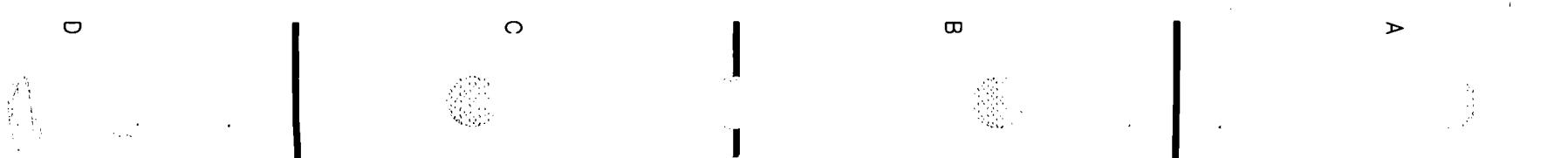
SCH-12

AC-3 VOLUME ASSY, JOINT ASSY



SCH-12

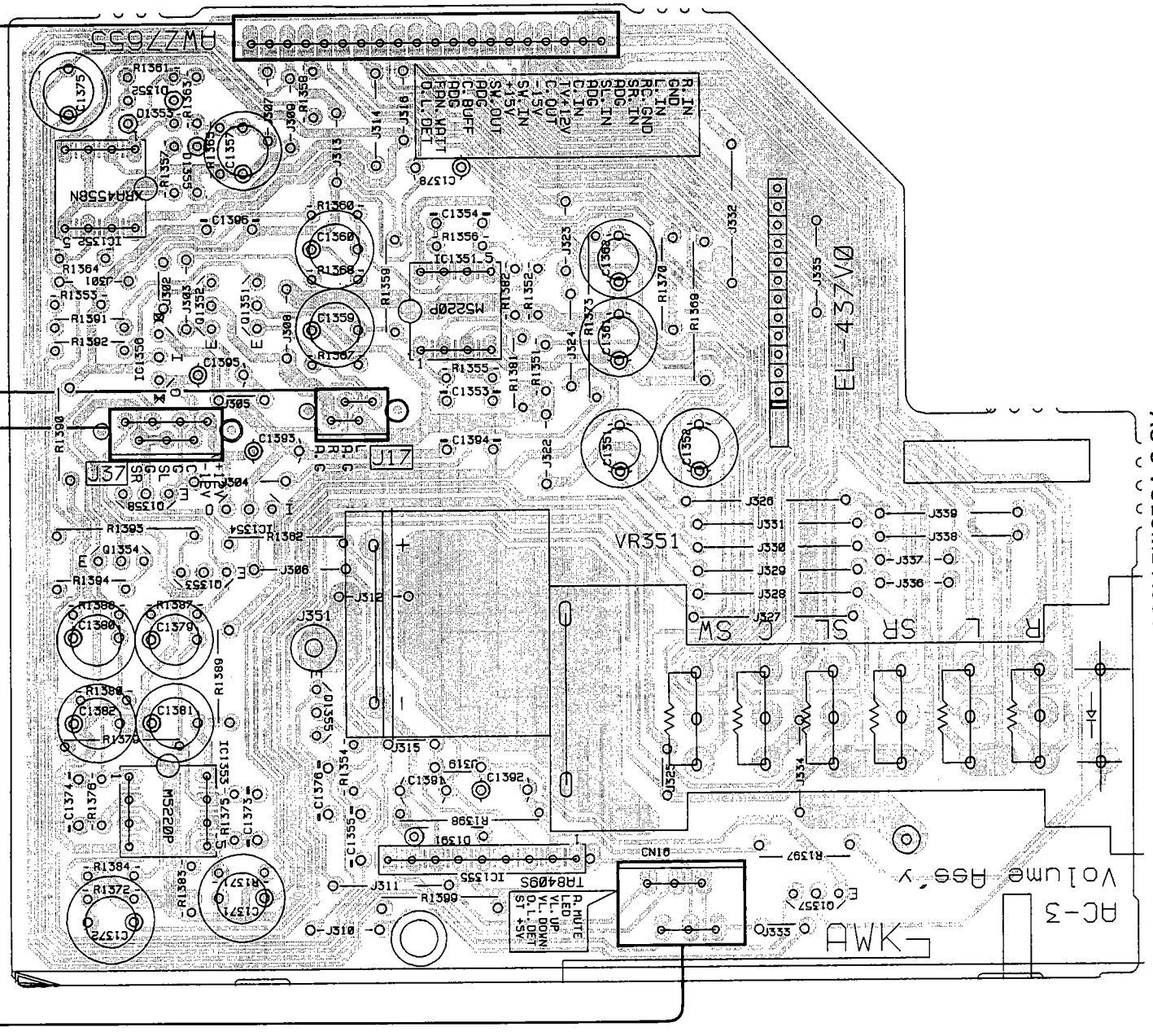
AC-3 VOLUME ASSY, JOINT ASSY



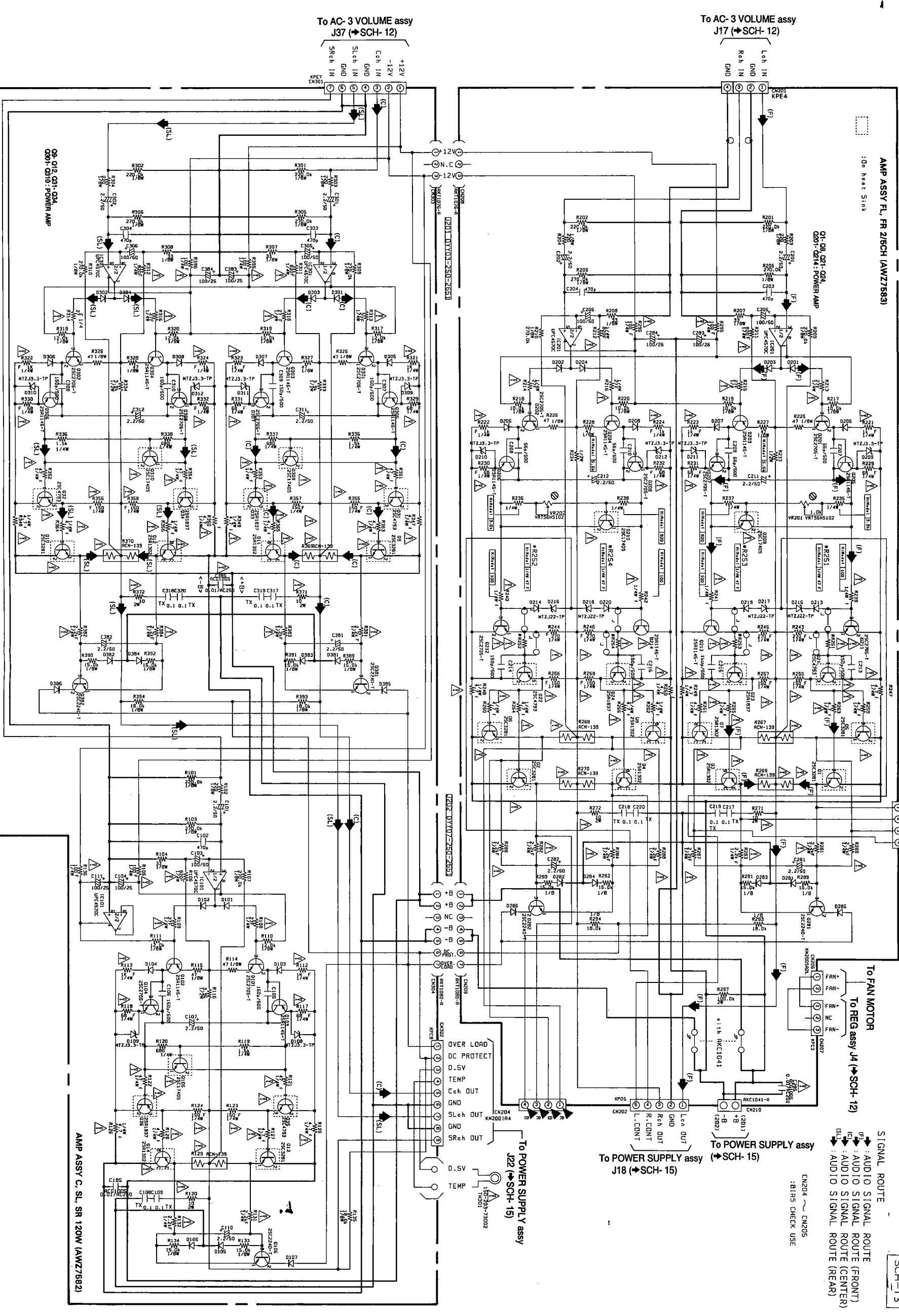
• This diagram is viewed from the mounted parts side.

IC1351 IC1352 Q1351 Q1352 IC1356 Q1358 IC1354 Q1354 Q1353 Q1355 IC1355 VR351 IC1357 IC1355

AC-3 VOLUME ASSY



3.9 AMP ASSY C, SL, SR 120W AND AMP ASSY FL, FR 2/5CH



SIGNAL ROUTE
 (F) : AUDIO SIGNAL ROUTE (FRONT)
 (C) : AUDIO SIGNAL ROUTE (CENTER)
 (SL) : AUDIO SIGNAL ROUTE (REAR)

SCH-13

SCH-13

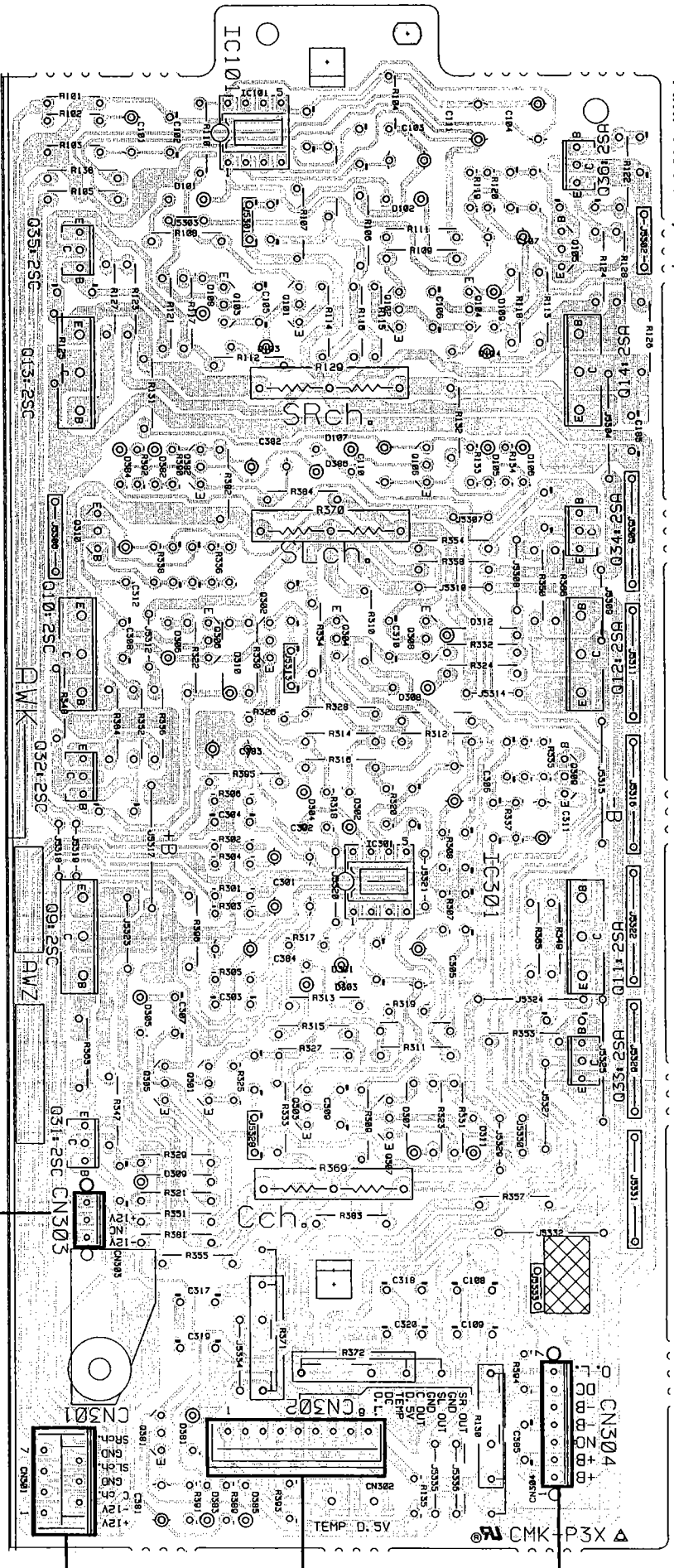
AMP ASSY C, SL, SR 120W,
 AMP ASSY FL, FR 2/5CH

AMP ASSY C, SL, SR 120W,
 AMP ASSY FL, FR 2/5CH

SCH-13

AMP ASSY C, SL, SR 120W

1	036	0105	0104	014	034	012	0309	011	033
	IC101	0101	0102	013	0302	0304	0308	032	0303
	035	0103	013	0382	0310	0305	010	09	0301
									0305
									031
									0381



The parts mounted on this PCB include all necessary parts for several destinations. For further information for respective destinations, be sure to check with the schematic diagram.

This diagram is viewed from the mounted parts side.

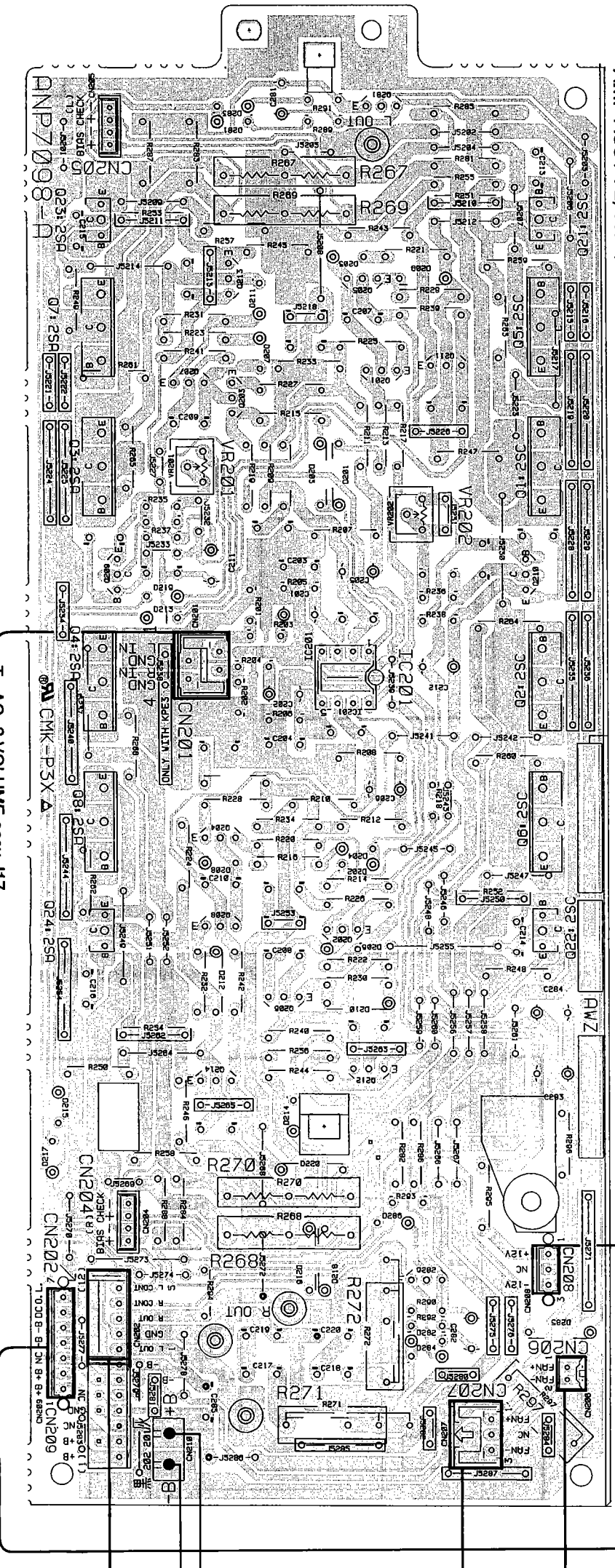
To POWER SUPPLY assy J22

To AC-3 VOLUME assy J37

AMP ASSY FL, FR 215CH

0281	021	05	0211	01	0210	02	06	022	0206	0212
023	0205	0201	0213	07	0207	0203	03	0209	IC201	04
									08	0204
									0208	024
									0214	

VR201 VR202



To FAN MOTOR

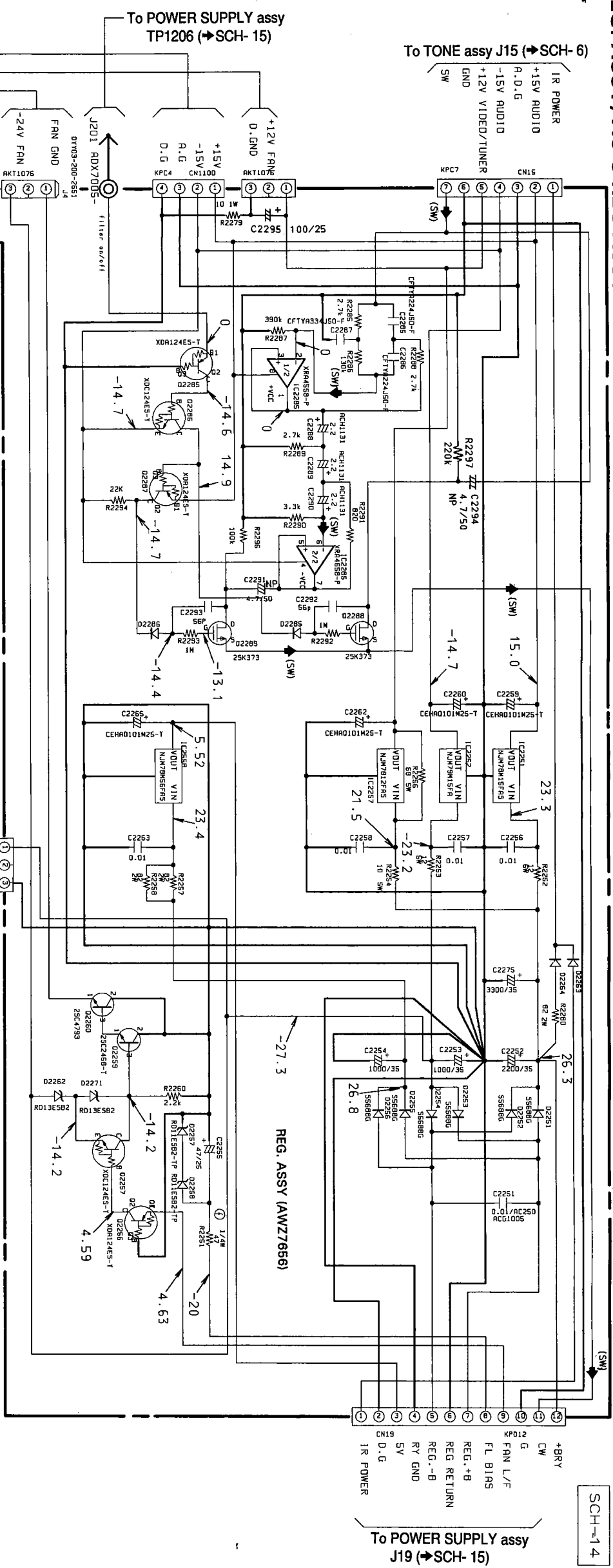
To REG assy J4

To POWER SUPPLY assy

To POWER SUPPLY assy J18

To AC-3 VOLUME assy J17

3.10 REG. ASSY, AC-3 REG ASSY AND PIECE ASSY



SCH-14

SCH-14

REG ASSY, AC-3 REG ASSY, PIECE ASSY

SCH-14

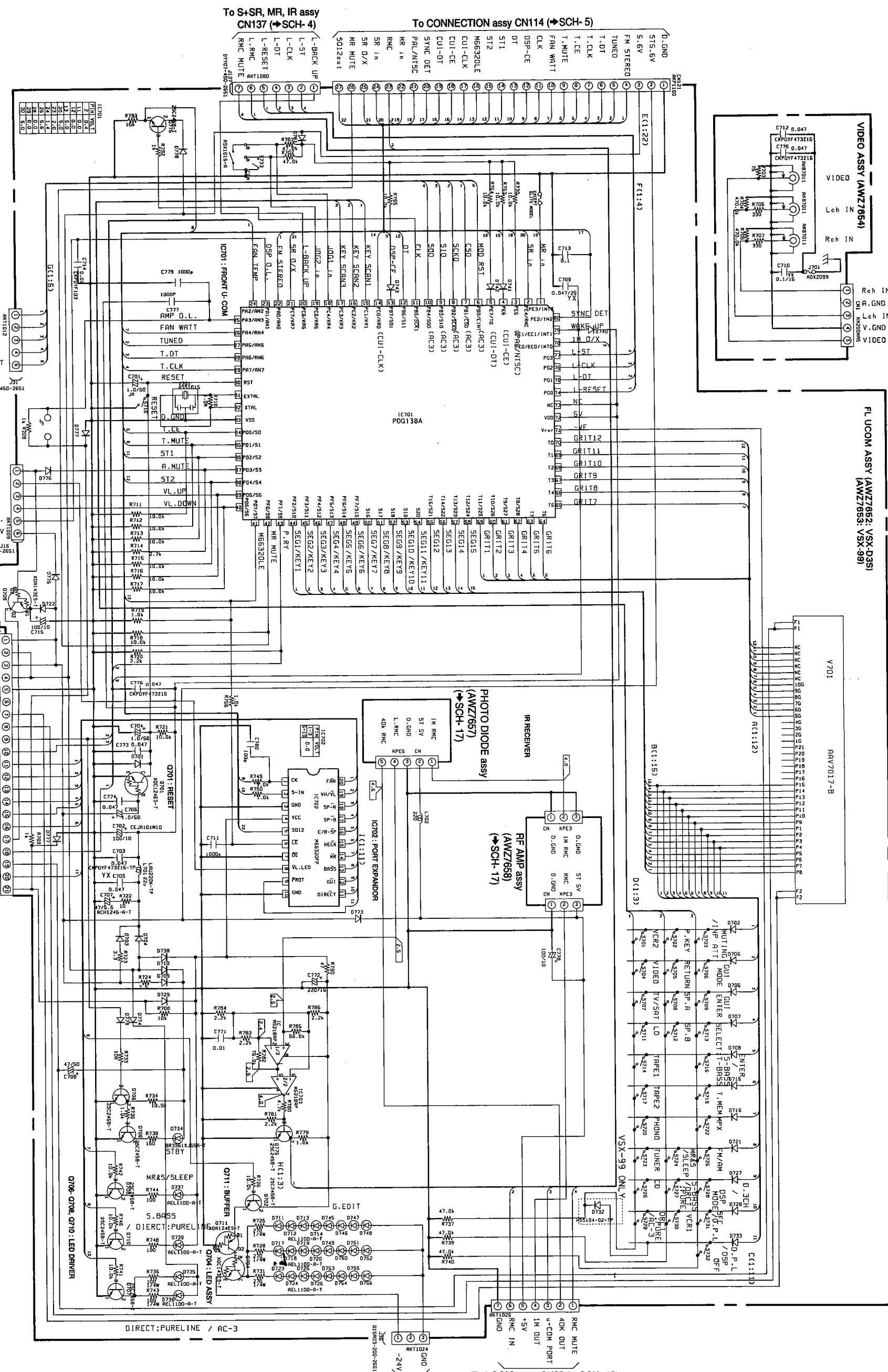
REG ASSY, AC-3 REG ASSY, PIECE ASSY

49 1 2 3 4 5 6

3.12 FL UCOM ASSY AND VIDEO ASSY

To AV FUNCTION ASSY CN2 (SCH-2) CN3 (SCH-4)

SCH-16



SCH-16

FL UCOM ASSY, VIDEO ASSY

To CONNECTION assy CN601 (SCH-5)

To AC-3 VOLUME assy CN18 (SCH-12)

To POWER SUPPLY assy CN20 (SCH-15)

SCH-16

FL UCOM ASSY, VIDEO ASSY

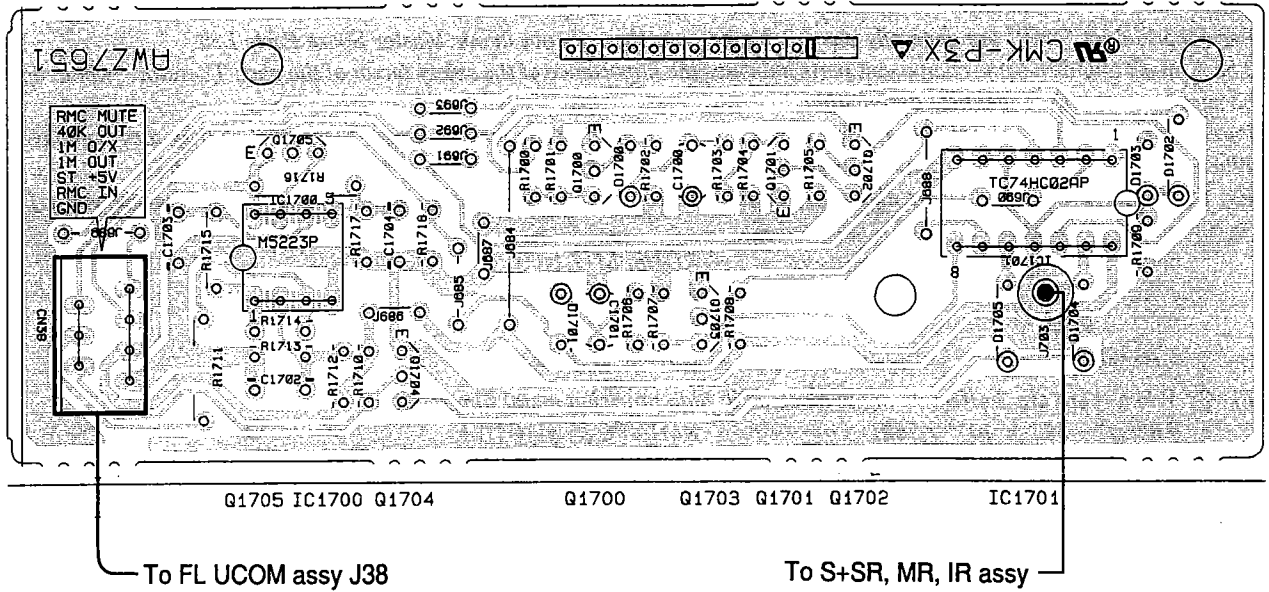
To REG. assy CN36 (SCH-14)

To LOGIC assy CN38 (SCH-17)

3.14 LOGIC ASSY

• This diagram is viewed from the mounted parts side.

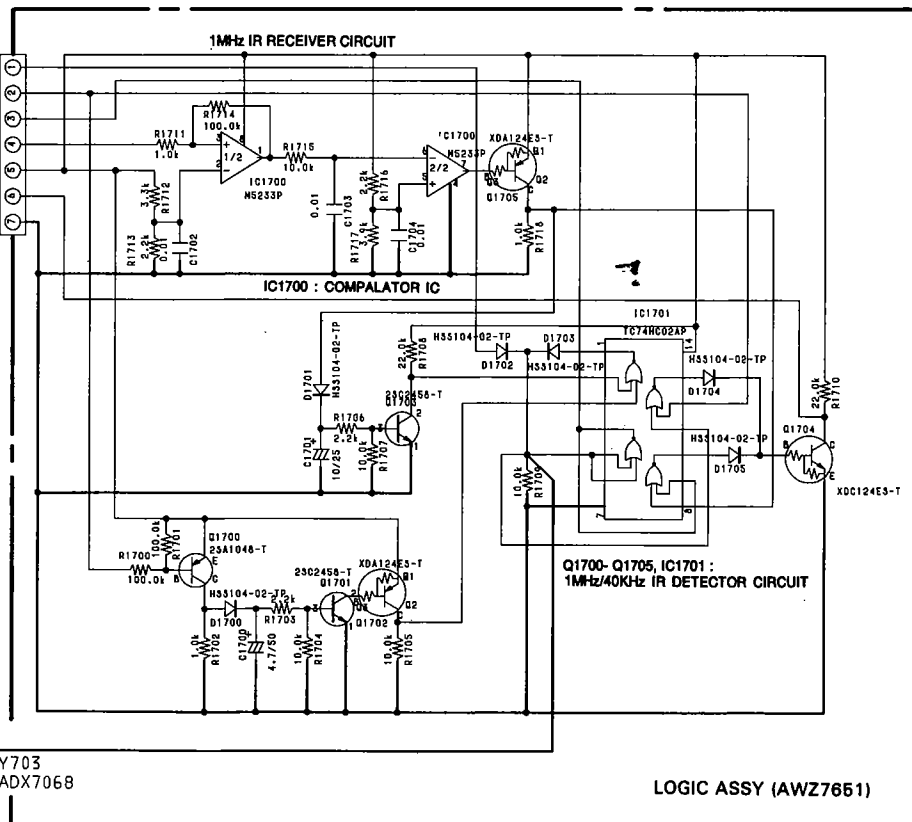
LOGIC ASSY



The parts mounted on this PCB include all necessary parts for several destinations. For further information for respective destinations, be sure to check with the schematic diagram.

To FL UCOM assy J38 (SCH-16)

RMC MUTE
40K OUT
1M O/X
1M OUT
ST 5V
RMC IN
GND



SCH-18

To S+SR, MR, IR assy (SCH-4)

Y703
ADX7068

LOGIC ASSY (AWZ7651)

SCH-18

4. PCB PARTS LIST

NOTES :

- Parts marked by "NSP" are generally unavailable because they are not in our Master Spare Parts List.
- The Δ mark found on some component parts indicates the importance of the safety factor of the part. Therefore, when replacing, be sure to use parts of identical designation.
- Parts marked by "⊙" are not always kept in stock. Their delivery time may be longer than usual or they may be unavailable.
- When ordering resistors, first convert resistance values into code form as shown in the following examples.

Ex. 1 When there are 2 effective digits (any digit apart from 0), such as 560 ohm and 47k ohm (tolerance is shown by J = 5%, and K = 10%).

560Ω → 56 × 10¹ → 561 RD1/8PM 5 6 1 J

47kΩ → 47 × 10³ → 473 RD1/4PS 4 7 3 J

0.5Ω → 0R5 RN2H 0 R 5 K

1Ω → 010 RS1P 0 1 0 K

Ex. 2 When there are 3 effective digits (such as in high precision metal film resistors).

5.62kΩ → 562 × 10¹ → 5621 RM1/4PC 5 6 2 1 F

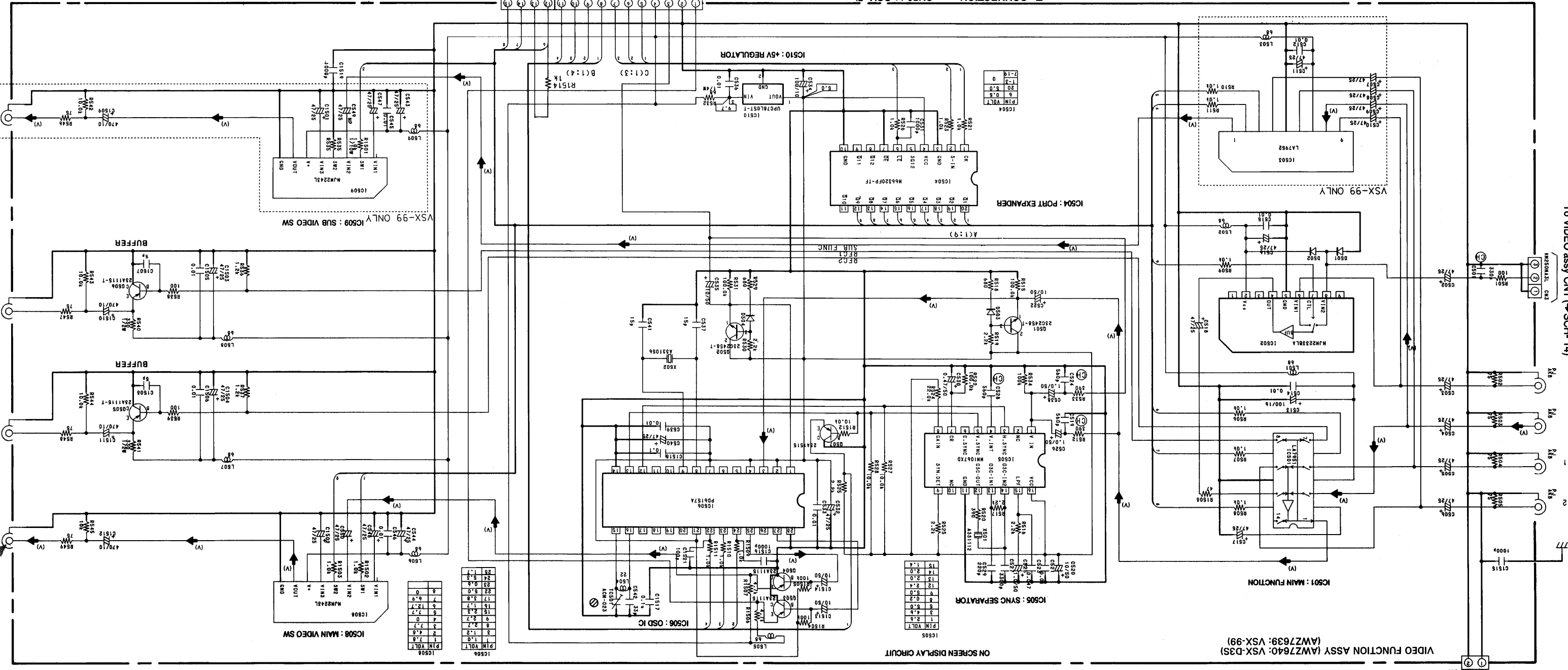
Mark	No.	Description	Parts No.	Mark	No.	Description	Parts No.
LIST OF ASSEMBLIES							
NSP		TUNER ASSY	AWE1140		Q472		2SC1740SLN
					Q451		2SC2603
					Q403, Q421		2SC2668
NSP		PS & AMP ASSY	AWK7141		Q402		2SC2786
		— POWER SUPPLY ASSY	AWZ7769		Q405		2SK161
		— PRIM ASSY	AWZ7962		Q401		2SK241
NSP		— FRONT SP. ASSY	AWZ7625		Q471		2SK246
NSP		— R.C SP. ASSY	AWZ7628		Q473, Q474		RN2201
		— CONNECTION ASSY	AWZ7633		D431—D435		1SS252
					D401—D403		1SV147
NSP		SMALL SIGNAL ASSY	AWK7146	COILS AND FILTERS			
		— AUDIO FUNCTION ASSY	AWZ7796		L401		ATC1001
		— A/V FUNCTION ASSY	AWZ7636		L402		ATC1002
		— VIDEO FUNCTION ASSY	AWZ7640		L405		ATC1003
		— TONE ASSY	AWZ7644		L403		ATC1004
		— S+SR, MR, IR ASSY	AWZ7647		L404		ATC1005
NSP		FRONT ASSY	AWK7151		T402		ATE-063
		— FL UCOM ASSY	AWZ7652		L431		ATE-079
		— LOGIC ASSY	AWZ7651		F421		ATF-107
NSP		— VIDEO ASSY	AWZ7654		F422		ATF-119
		— IR RECEIVER ASSY	AWX7012		F431		ATF-208
		— PHOTO DIODE ASSY	AWZ7657				
		— RF AMP ASSY	AWZ7658		L406, L407		LAU2R2M
		POWER AMP ASSY 5CH	AWK7176	CAPACITORS			
		— AMP ASSY C, SL, SR120W	AWZ7582		C454 (470pF/50V)		ACE1039
		— AMP ASSY FL, FR 2/5CH	AWZ7583		C466		CCCSL121J50
NSP		COMPLEX ASSY	AWK7153		C417		CCDCH010C50
		— AC-3 VOLUME ASSY	AWZ7655		C406		CCDCH020C50
		— REG ASSY	AWZ7656		C415		CCDCH080D50
		— JOINT ASSY	AWZ7648		C413, C481, C482		CCDCH150J50
NSP		— TRANS ASSY	AWZ7720		C414		CCDCH330J50
		— AC-3 REG ASSY	AWZ7798		C401, C404, C405		CCDRH330J50
NSP		— PIECE ASSY	AWZ7964		C402		CCDRH390J50
		AC-3 ASSY	AWX7016		C416		CCDTH180J50
					C479		CCPUSL220J50
					C445		CCPUSL470J50
					C452		CEANP4R7M35
					C442		CEAS0R1M50
					C420, C437, C475		CEAS100M50
					C451		CEAS101M16
					C456		CEAS1R5M50
					C438		CEAS2R2M50
					C443, C455		CEAS3R3M50
					C458, C463, C464, C484		CEAS470M16
TUNER ASSY							
SEMICONDUCTORS							
		IC451	AN7470P				
		IC431	LA1265S				
		IC471	LM7001				
		Q454	2SA933S				
		Q452, Q453	2SC1740S				

Mark	No.	Description	Parts No.
	C433, C461, C462 C457 C478 C477 C439, C440		CEAS4R7M50 CEASR22M50 CFTXA224J50 CKCYF103Z50 CKCYF223Z50
	C435 C453 C436 C400 C409, C483		CKCYF472Z50 CKCYF473Z50 CKCYX683M25 CKDYF102Z50 CKPUYB101K50
	C444 C441, C472 C403, C410-C412, C418, C419 C421, C422, C465, C471, C473 C476, C480, C485		CKPUYB331K50 CKPUYF223Z25 CKPUYY103N16 CKPUYY103N16 CKPUYY103N16
	C459, C460 C468, C469 C446, C447		CQMA102J50 CQMA182J50 CQMA561K50
RESISTORS			
	VR451 (4.7kΩ) VR431 (10kΩ) VR432 Other Resistors		ACP1042 ACP1043 VRTS6VS153 RD1/8PM□□□J
OTHERS			
	X471 X431 CN401	ANTENNA TERMINAL 4-P CRYSTAL RESONATOR (7.2MHz) CERAMIC FILTER (450kHz) AM RF TUNING BLOCK 12P SOCKET	AKA1014 ASS1005 ATF-125 AXX1011 KP200IA12L
POWER SUPPLY ASSY			
SEMICONDUCTORS			
	Q1321, Q1322, Q1327 Q1316 Q1314, Q1315, Q1318, Q1320 Q1312, Q1313, Q1323, Q1324 Q1317		2SA1048 2SA1515 2SC2458 2SC2878 XDA124ES
	Q1325 D1301 D1316, D1318, D1319, D1325-D1327 D1317 D1321-D1324		XDA143ES D5SB20F HSS104-02 RD2.7ESB1 RD20ESB
	D1315		RD6.2ESB
SWITCHES AND RELAYS			
	RY1313		ASR1035
CAPACITORS			
	C1301 (0.01μF/150V) C1303 (12000μF/80V) C1304 (12000μF/80V) C1311 C1317		ACG1005 ACH1263 ACH1264 CEAS101M10 CEAS101M35
	C1315 C1312 C1318		CEAS221M16 CEAS470M25 CKCYF103Z50
RESISTORS			
	R1322 R1316 R1318 R1330 R1312		RD1/4PMF100J RD1/4PMF2R2J RD1/4PMF682J RFA1/4PS4R7J RS1LMF332J
	R1323, R1324 Other Resistors		RS2LMF331J RD1/8PM□□□J

Mark	No.	Description	Parts No.
OTHERS			
	Y201 Y202 CN20	BOARDIN READ WIRE BOARDIN READ WIRE JACK	ADX7014 ADX7017 AKN1002
	CN20	21P SOCKET CABLE HOLDER	AKP1084 AKT1007
	CN125 CN23, CN30	CABLE HOLDER (9P) CABLE HOLDER (12P) CONNECTOR (4P) CONNECTOR (5P)	AKT1082 AKT1085 KPC4 KPC5
PRIM ASSY			
SEMICONDUCTORS			
	IC51 Q52 Q51 D51 D54		NJM78M56FAS 2SC4793 XDC143ES HSS104-02 HZS6A1L
	D55 D53 D52		RD13ESB1 S1WB20 S5688G
COILS AND FILTERS			
	L51		ATF1006
TRANSFORMERS			
	T51		ATT7006
SWITCHES AND RELAYS			
	RY51		ASR1036
CAPACITORS			
	C57 (0.01μF/150V) C51, C52, C56 (0.01μF/400V) C53 C55 C54		ACG1005 ACG1054 CEAS102M25 CEAS470M25 CKCYB103K50
RESISTORS			
	R52 (2.2MΩ, 1/2W) R53 R51 Other Resistors		ACN-208 RD1/4PMF332J RD1/4PMF4R7J RD1/8PM□□□J
OTHERS			
	H51, H52 CN22	AC OUTLET 3P FUSE CLIP CONNECTOR (5P)	AKP1053 AKR1003 KPC5
FRONT SP. ASSY			
SEMICONDUCTORS			
	Q1282, Q1283 D1282, D1283		XDC143ES HSS104-02
SWITCHES AND RELAYS			
	S1281 RY1282, RY1283		AKX1033 ASR1035
RESISTORS			
	All Resistors		RD1/4PM□□□J
OTHERS			
	CN26 CN24 CN27	SPEAKER TERMINAL 8-P CABLE HOLDER (4P) CONNECTOR (7P) CONNECTOR (11P) CONNECTOR (6P)	AKE1011 AKT1077 KPC7 KPE11 KPE6

Mark	No.	Description	Parts No.
R.C SP. ASSY			
SEMICONDUCTORS			
	Q1291		2SC2878
	Q1271, Q1272		XDC143ES
	D1272, D1273		HSS104-02
SWITCHES AND RELAYS			
	RY1272, RY1273		ASR1035
CAPACITORS			
	C1293		CKPUYX222M16
	C1294		CEANP4R7M50
RESISTORS			
	R1271, R1272		RD1/4PMF100J
	Other Resistors		RD1/8PM□□□□
OTHERS			
	CN8007	2P PIN JACK	AKB7008
		SPEAKER TERMINAL 4-P	AKE1055
		CABLE HOLDER (7P)	AKT1080
CONNECTION ASSY			
SEMICONDUCTORS			
	IC623		LA7213
	Q622		2SA1515
	Q623		2SC2458
	Q624		2SC2878
	Q621		XDA143ES
	Q625		XDC143ES
	D624, D626, D627		HSS104-02
	D623, D625		RD5.1ESB2
CAPACITORS			
	C638		CCCSL101J50
	C642		CEAS010M50
	C639		CEAS101M25
	C641		CEAS3R3M50
	C640		CEAS470M25
RESISTORS			
	R639		RD1/2PM181J
	Other Resistors		RD1/8PM□□□□
OTHERS			
	CN114	SOCKET (27P)	AKP1099
		CABLE HOLDER	AKT1012
	CN53	10P PLUG	KM200IB10
	CN51	12P PLUG	KM200IB12
	CN52	13P PLUG	KM200IB13
	CN54	15P PLUG	KM200IB15
	CN56	16P PLUG	KM200IB16
	CN55, CN59	9P PLUG	KM200IB9
	CN601	CONNECTOR (5P)	KPE5
AUDIO FUNCTION ASSY			
SEMICONDUCTORS			
	IC404		M5220P
	IC401		TC9164AN
	IC403		XRA4558-P
CAPACITORS			
	C1402, C1403		CCSQCH101J50
	C447		CCSQCH102J50
	C419, C420		CCSQCH221J50
	C417, C418		CCSQCH681J50
	C423, C424		CCSQSL101J50

Mark	No.	Description	Parts No.
	C415, C416		CEAS100M50
	C421, C422, C431, C432		CEAS101M25
	C433, C434, C439, C440		CEAS2R2M50
	C445, C446		CEAS470M25
	C1401, C429, C430, C435, C436		CKSQYF103Z50
	C441, C444		CKSQYF103Z50
	C427, C428		CQMA242J50
	C425, C426		CQMA822J50
RESISTORS			
	All Resistors		RS1/10S□□□□
OTHERS			
	CN152	PIN JACK (6P)	AKB7012
		PIN JACK (6P)	AKB7013
		CABLE HOLDER (11P)	AKT1084
		13P SOCKET	KP200IB13L
A/V FUNCTION ASSY			
SEMICONDUCTORS			
	IC451		TC9163AN
CAPACITORS			
	C494, C495		CCSQCH101J50
	C487		CCSQCH102J50
	C481, C482		CEAS470M25
	C475, C476, C483, C484, C491		CKSQYF103Z50
RESISTORS			
	All Resistors		RS1/10S□□□□
OTHERS			
	CN2	PIN JACK (4P)	AKB7014
	CN153	PIN JACK (4P)	AKB7015
	CN11	PLUG 3-P	KM250MA3L
		10P SOCKET	KP200IB10L
		L-CONNECTOR (11P)	KPD11L
VIDEO FUNCTION ASSY			
SEMICONDUCTORS			
	IC501		LA7951
	IC504		M66320FP
	IC505		MM1067XD
	IC502		NJM2233BLA
	IC508		NJM2243L
	IC506		PD6157B
	IC510		UPC78L05J
	Q503-Q506		2SA1115
	Q507		2SA1515
	Q501, Q502		2SC2458
	D501-D504		HSS104-02
COILS AND FILTERS			
	L504		LAU220J
	L501, L502, L505-L508		LAU680J
CAPACITORS			
	TC501 (9pF-90pF)		ACM-023
	C1507, C1508		CCSQCH050C50
	C1521		CCSQCH101J50
	C537, C541		CCSQCH150J50
	C529		CCSQCH221J50
	C542		CCSQCH330J50
	C501		CCSQCH331J50
	C519, C524, C528		CCSQCH561J50
	C525, C526, C538		CEAS010M50
	C1513, C1514, C520, C522, C535		CEAS100M50



To VIDEO assy CN1 (SCH-14)

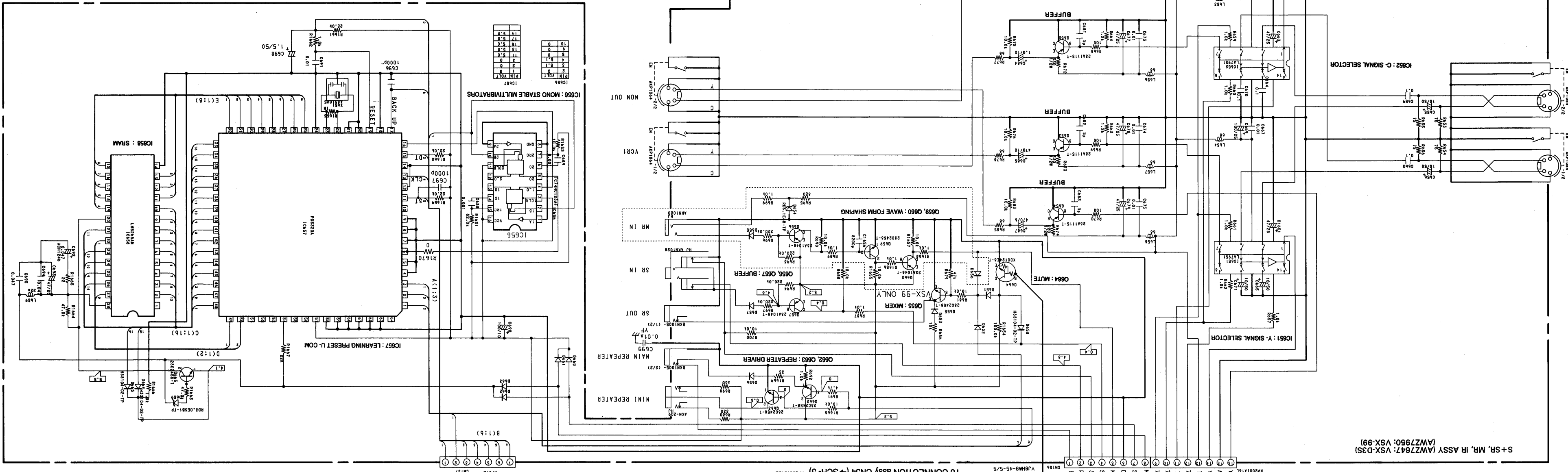
VR2
VR1
VR0
L0
T1

777
472K
100K
10K

472K
100K
10K

472K
100K
10K

472K
100K
10K



S+SR, MR, IR ASSY (AWZ7847: VSX-D3S)
(AWZ7960: VSX-99)

To CONNECTION assy CN6 (SCH-5)
To LOGIC assy (SCH-18)

VR2
VR1
VR0
L0
T1

472K
100K
10K

472K
100K
10K

472K
100K
10K

472K
100K
10K

472K
100K
10K

472K
100K
10K

472K
100K
10K

472K
100K
10K

472K
100K
10K

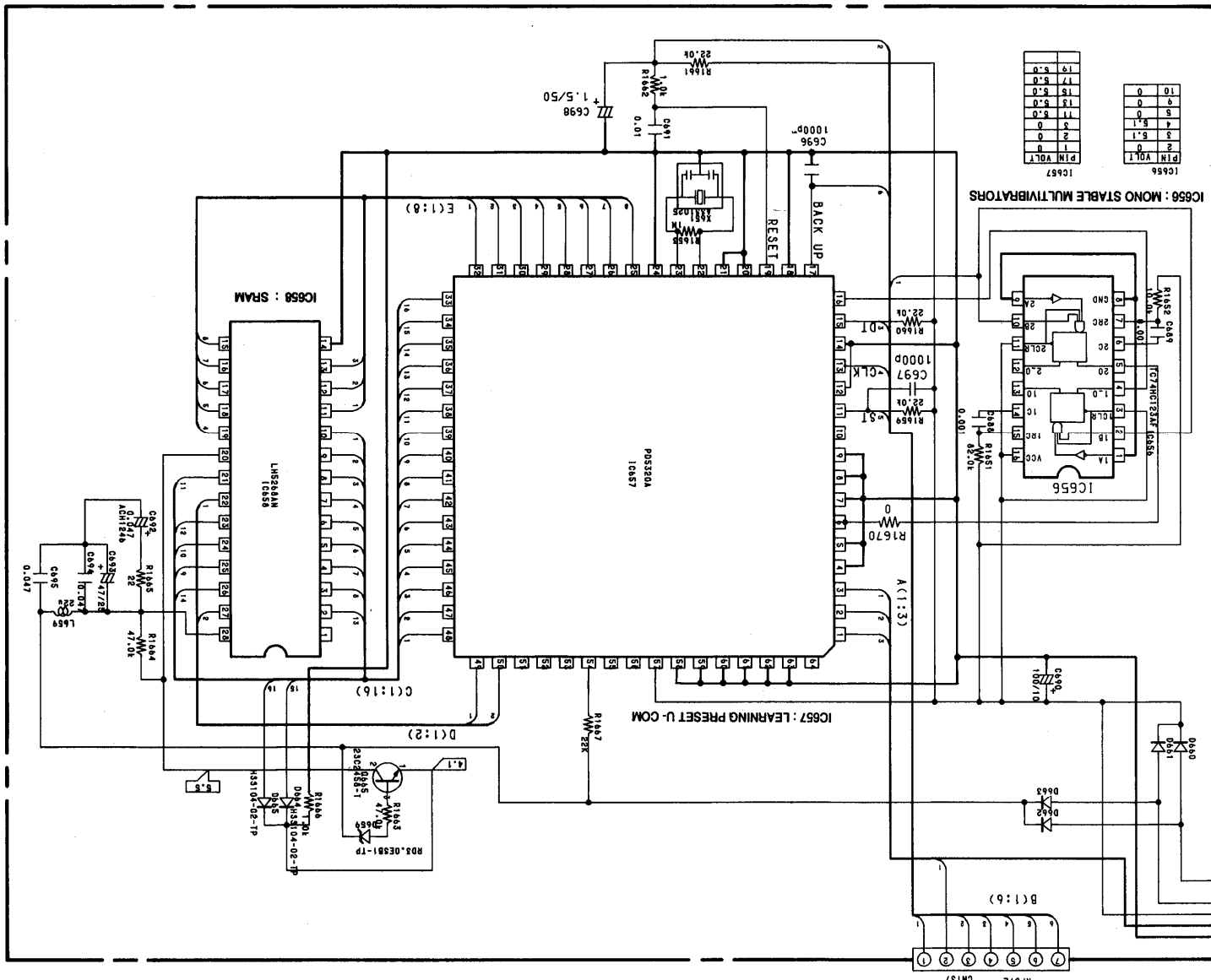
472K
100K
10K

472K
100K
10K

472K
100K
10K

472K
100K
10K

472K
100K
10K



To CONNECTION assy CN5 (SCH-5)

To FL UCOM assy J17 (SCH-16)

VR2
VR1
VR0
L0
T1

472K
100K
10K

472K
100K
10K

472K
100K
10K

472K
100K
10K

472K
100K
10K

472K
100K
10K

472K
100K
10K

472K
100K
10K

472K
100K
10K

472K
100K
10K

472K
100K
10K

472K
100K
10K

472K
100K
10K

VIDEO SIGNAL ROUTE

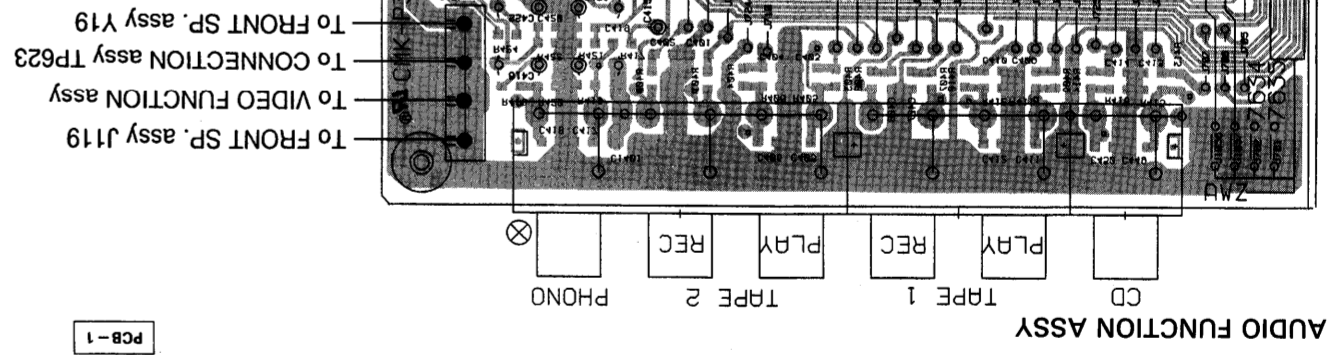
NOTE FOR PCB DIAGRAMS:
 1. Part numbers in PCB diagrams match those in the schematic diagrams.
 2. A comparison between the main parts of PCB and schematic diagrams is shown below.

Part Name	Diagrams in Schematic	Symbol in PCB Diagrams
Transistor	Q504 Q504	Q504 Q504
Diode	D203	D203
Capacitor (Polarized)	C513	C513

3. The transistor terminal marked with 'e' or 'c' shows the emitter.
 4. The diode terminal marked with 'c' or 'c-' shows cathode side.
 5. The capacitor terminal marked with '+' or '-' shows negative terminal.

The parts mounted on this PCB include all necessary parts for several destinations.
 For further information for respective destinations, be sure to check with the schematic diagram.

PCB-1

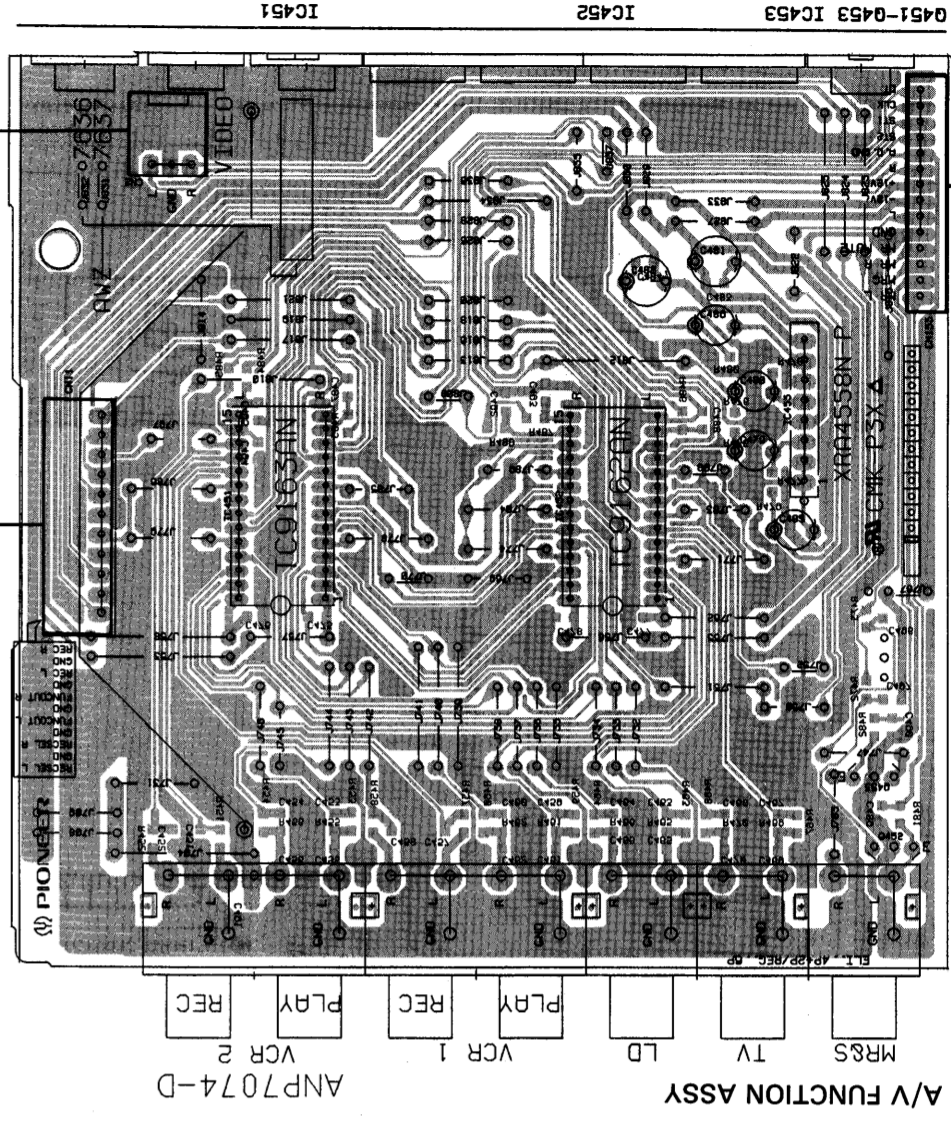


TO CONNECTION assy CN52

TO AUDIO FUNCTION assy J11

TO VIDEO assy CN1

• This diagram is viewed from the mounted parts side.



TO CONNECTION assy CN52

TO AUDIO FUNCTION assy J11

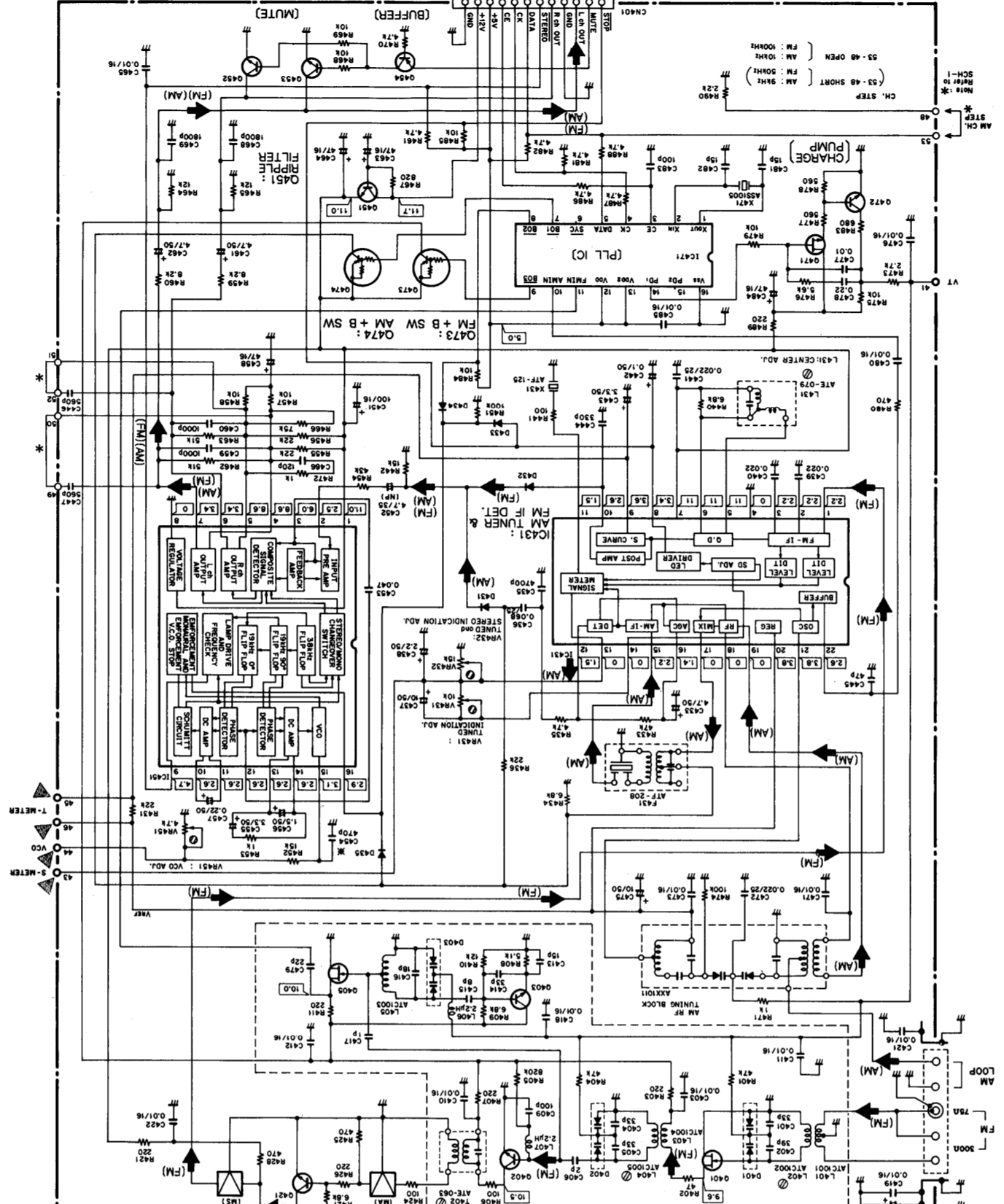
TO VIDEO assy CN1

• This diagram is viewed from the mounted parts side.

3.3 TUNER ASSY

SIGNAL ROUTE
 (FM) : FM SIGNAL ROUTE
 (AM) : AM SIGNAL ROUTE

TUNER ASSY (AW1140)



SCH-3

TUNER ASSY

• This diagram is viewed from the mounted parts side.

