

# Service Manual

ORDER NO.  
RRV2614

AUDIO/VIDEO MULTI-CHANNEL RECEIVER

# VSX-41

THIS MANUAL IS APPLICABLE TO THE FOLLOWING MODEL(S) AND TYPE(S).

Type	Model	Power Requirement	Remarks
	VSX-41		
KUXJI/CA	○	AC120V	

● This service manual should be used together with the following manual(s):

Model No.	Order No.	Remarks
VSX-D811S/KUXJI	RRV2583	

# 1. CONTRAST OF MISCELLANEOUS PARTS

NOTES: ● Parts marked by "NSP" are generally unavailable because they are not in our Master Spare Parts List.

● The  $\Delta$  mark found on some component parts indicates the importance of the safety factor of the part. Therefore, when replacing, be sure to use parts of identical designation.

● Screws adjacent to  $\nabla$  mark on product are used for disassembly.

● Reference Nos. indicate the pages and Nos. in the service manual for the base model.

● For the applying amount of lubricants or glue, follow the instructions in this manual. (In the case of no amount instructions, apply as you think it appropriate.)

● When ordering resistors, first convert resistance values into code form as shown in the following examples.

Ex.1 When there are 2 effective digits (any digit apart from 0), such as 560 ohm and 47k ohm (tolerance is shown by J=5%, and K=10%).

560  $\Omega$  → 56 × 10<sup>1</sup> → 561 ..... RD1/4PU  $\boxed{5} \boxed{6} \boxed{1} J$   
 47k  $\Omega$  → 47 × 10<sup>3</sup> → 473 ..... RD1/4PU  $\boxed{4} \boxed{7} \boxed{3} J$   
 0.5  $\Omega$  → R50 ..... RN2H  $\boxed{R} \boxed{5} \boxed{0} K$   
 1  $\Omega$  → 1R0 ..... RS1P  $\boxed{1} \boxed{R} \boxed{0} K$

Ex.2 When there are 3 effective digits (such as in high precision metal film resistors).

5.62k  $\Omega$  → 562 × 10<sup>1</sup> → 5621 ..... RN1/4PC  $\boxed{5} \boxed{6} \boxed{2} \boxed{1} F$

## ■ CONTRAST TABLE

VSX-41/KUXJI/CA and VSX-D811S/KUXJI are constructed the same except for the following :

Ref. No.	Mark	Symbol and Description	Part No.		Remarks
			VSX-D811S /KUXJI	VSX-41 /KUXJI/CA	
P9 - 1		<b>PCB ASSEMBLIES</b> DD & INPUT ASSY	XWX3049	XWX3052	
P9 - 2	NSP	AMP&PS ASSY └ AMP&PRIMARY ASSY	XWK3059 XWZ3539	XWK3063 XWZ3543	
P9 - 8	NSP	COMPLEX ASSY └ 6CH IN ASSY	XWK3046 XWZ3508	XWK3051 XWZ3509	
P9 - 9		└ DIGITAL IN ASSY	XWZ3519	XWZ3520	
P9 - 10		└ S. VIDEO ASSY	XWZ3522	XWZ3523	
P9 - 11		└ COMPONENT ASSY	XWZ3524	XWZ3525	
P9 - 14		└ PRE-OUT ASSY	XWZ3530	XWZ3531	
P9 - 15		└ VIDEO ASSY	XWZ3583	XWZ3491	
P11 - 1		└ FRONT ASSY	XWZ3501	XWZ3506	
P11 - 6		└ R. ENCODER ASSY	XWZ3582	XWZ3512	
P7 - 4	NSP	<b>PACKING SECTION</b> Dry Cell Batteries (AA/R6P)	VEM-013	Not used	
P7 - 4	NSP	Dry Cell Batteries (AA/LR6)	Not used	VEM1021	
P7 - 5		Operating Instructions (English)	XR3013	XR3018	
P7 - 7		Remote Control Unit	XXD3043	XXD3046	
P7 - 13		Packing Case	XHD3202	XHD3310	
P9 - 40		<b>EXTERIOR SECTION</b> Rear Panel	XNC3141	XNC3175	
P11 - 18		<b>FRONT PANEL SECTION</b> D Panel R5 W	XAK3274	XAK3345	
P11 - 19		BN Cover	XAK3294	XAK3319	
P11 - 21		Pioneer Badge	XAM3006	VAM1109	
P11 - 24		Front Panel	XMB3063	XMB3090	
P11 - 30		Door Assy	XXG3091	XXG3132	
P11 - 31	NSP	Door	XAK3275	XAK3344	

Notes : For PCB ASSEMBLIES, Refer to "CONTRAST OF PCB ASSEMBLIES" and "2. SCHEMATIC DIAGRAM".

## ■ CONTRAST OF PCB ASSEMBLIES

### **A**F DD & INPUT ASSY

XWX3052 and XWX3049 are constructed the same except for the following :

Mark	Symbol and Description	Part No.		Remarks
		XWX3049	XWX3052	
	JA101-JA104 (4P PIN JACK)	AKB7048	AKB7108	

### **B**F AMP&PS ASSY

XWZ3543 and XWZ3539 are constructed the same except for the following :

Mark	Symbol and Description	Part No.		Remarks
		XWZ3539	XWZ3543	
	C701, C702 (4700 $\mu$ F/71V) C701, C702 (5600 $\mu$ F/71V)	ACH7137 Not used	Not used XCH3005	

### **J**F DIGITAL IN ASSY

XWZ3520 and XWZ3519 are constructed the same except for the following :

Mark	Symbol and Description	Part No.		Remarks
		XWZ3519	XWZ3520	
	C1927 R1915 JA1901, JA1907 (1P PIN JACK) JA1906 (OPT. LINK OUT 12MB/S)	Not used Not used VKB1077 Not used	CKSRYP104K25 RS1/16S101J VKB1074 JFJ3000-010020	

### **L**F VIDEO ASSY

XWZ3491 and XWZ3583 are constructed the same except for the following :

Mark	Symbol and Description	Part No.		Remarks
		XWZ3583	XWZ3491	
	CN305 (6P PIN JACK)	AKB7123	XKB3018	

### **M**F 6CH IN ASSY

XWZ3509 and XWZ3508 are constructed the same except for the following :

Mark	Symbol and Description	Part No.		Remarks
		XWZ3508	XWZ3509	
	308 (6P PIN JACK)	AKB7089	AKB7088	

### **N**F S. VIDEO ASSY

XWZ3523 and XWZ3522 are constructed the same except for the following :

Mark	Symbol and Description	Part No.		Remarks
		XWZ3522	XWZ3523	
	CN352 (3-4P MIN DIN SOCKET) CN353 (2-4P MIN DIN SOCKET) JA352 (3-4P MIN DIN SOCKET)	AKP7043 AKP7020 Not used	Not used AKP7023 AKP7049	For CN352

**OF FRONT ASSY**

XWZ3506 and XWZ3501 are constructed the same except for the following :

Mark	Symbol and Description	Part No.		Remarks
		XWZ3501	XWZ3506	
R428 R429		Not used RS1/16S0R0J	RS1/16S472J RS1/16S622J	

**PF R. ENCODER ASSY**

XWZ3512 and XWZ3582 are constructed the same except for the following :

Mark	Symbol and Description	Part No.		Remarks
		XWZ3582	XWZ3512	
D512		SLI-343DCW(STU)	E1L4E-7B1A(2345)	

**VF COMPORNENT ASSY**

XWZ3525 and XWZ3524 are constructed the same except for the following :

Mark	Symbol and Description	Part No.		Remarks
		XWZ3524	XWZ3525	
JA551 (6P PIN JACK) JA553 (3P PIN JACK)		AKB7128 AKB7124	AKB7127 XKB3022	

**WF PRE-OUT ASSY**

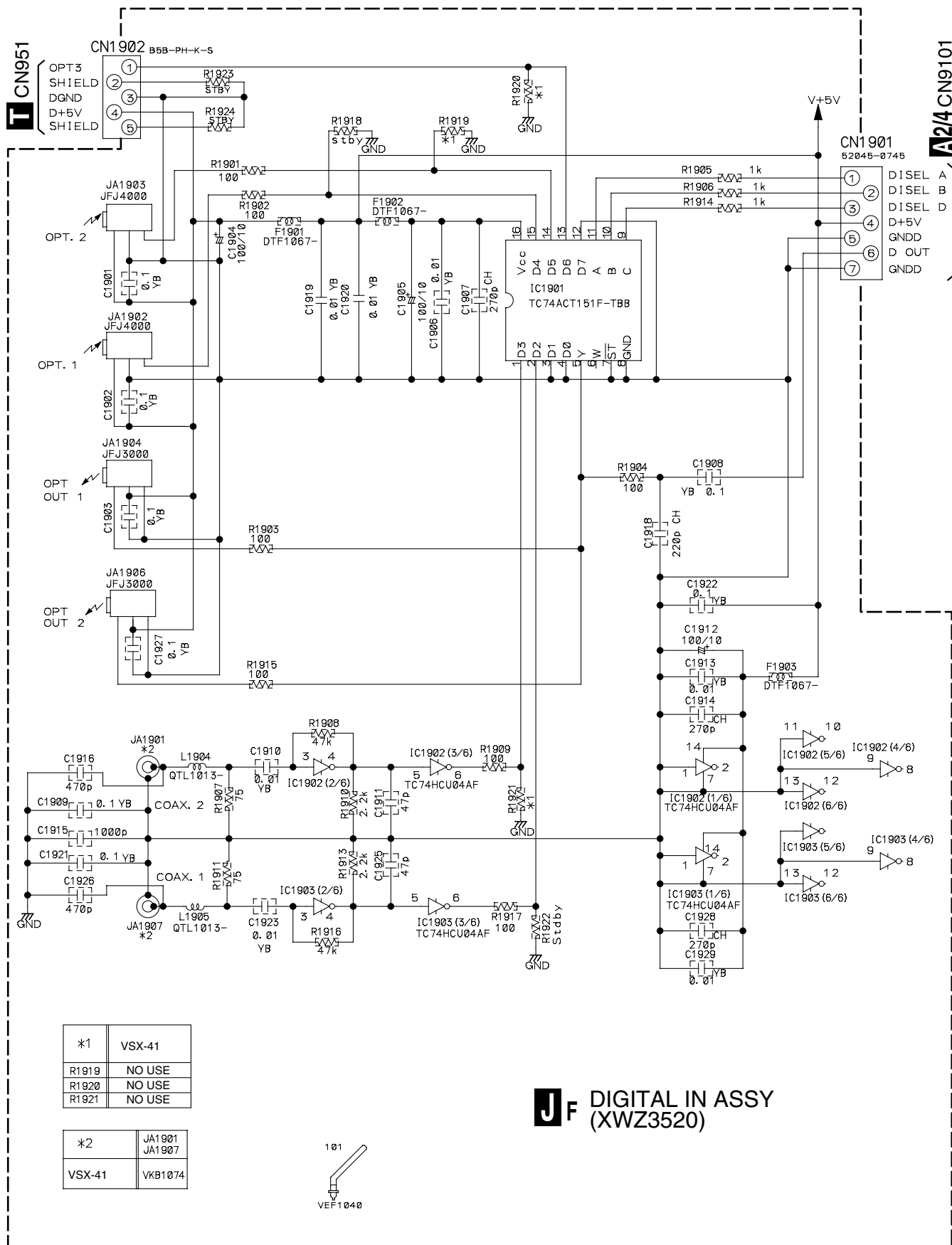
XWZ3531 and XWZ3530 are constructed the same except for the following :

Mark	Symbol and Description	Part No.		Remarks
		XWZ3530	XWZ3531	
1575 (6P PIN JACK)		AKB7089	AKB7088	

# 2. SCHEMATIC DIAGRAM

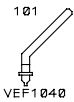
Note : When ordering service parts, be sure to refer to "EXPLODED VIEWS and PARTS LIST" or "PCB PARTS LIST"

## 2.1 DIGITAL IN ASSY



*1	VSX-41
R1919	NO USE
R1920	NO USE
R1921	NO USE

*2	JA1901 JA1907
VSX-41	VKB1074



**JF** DIGITAL IN ASSY (XWZ3520)

