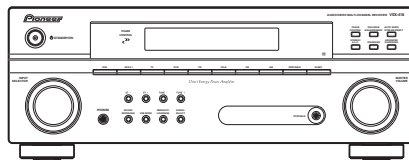


Service Manual



VSX-418-K

ORDER NO.
RRV3737

AUDIO/VIDEO MULTI-CHANNEL RECEIVER

VSX-418-K

VSX-418-S

THIS MANUAL IS APPLICABLE TO THE FOLLOWING MODEL(S) AND TYPE(S).

Model	Type	Power Requirement	Remarks
VSX-418-K	MYSXJ5	AC 220 V to 230 V	
VSX-418-S	MYSXJ5	AC 220 V to 230 V	



For details, refer to "Important Check Points for good servicing".

SAFETY INFORMATION



This service manual is intended for qualified service technicians; it is not meant for the casual do-it-yourselfer. Qualified technicians have the necessary test equipment and tools, and have been trained to properly and safely repair complex products such as those covered by this manual.

Improperly performed repairs can adversely affect the safety and reliability of the product and may void the warranty. If you are not qualified to perform the repair of this product properly and safely, you should not risk trying to do so and refer the repair to a qualified service technician.

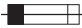
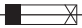
WARNING

This product contains lead in solder and certain electrical parts contain chemicals which are known to the state of California to cause cancer, birth defects or other reproductive harm.

Health & Safety Code Section 25249.6 Proposition 65

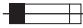
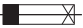
NOTICE

(FOR CANADIAN MODEL ONLY)

Fuse symbols  (fast operating fuse) and/or  (slow operating fuse) on PCB indicate that replacement parts must be of identical designation.

REMARQUE

(POUR MODÈLE CANADIEN SEULEMENT)

Les symboles de fusible  (fusible de type rapide) et/ou  (fusible de type lent) sur CCI indiquent que les pièces de remplacement doivent avoir la même désignation.

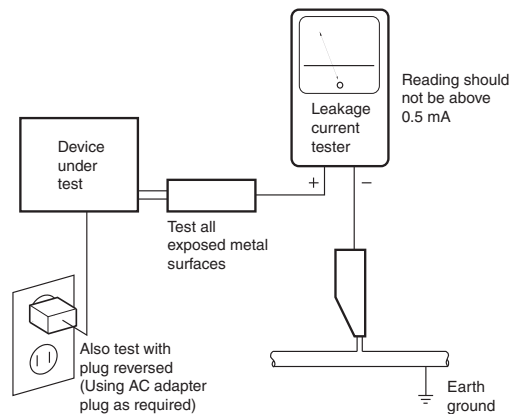
(FOR USA MODEL ONLY)

1. SAFETY PRECAUTIONS

The following check should be performed for the continued protection of the customer and service technician.

LEAKAGE CURRENT CHECK

Measure leakage current to a known earth ground (water pipe, conduit, etc.) by connecting a leakage current tester such as Simpson Model 229-2 or equivalent between the earth ground and all exposed metal parts of the appliance (input/output terminals, screwheads, metal overlays, control shaft, etc.). Plug the AC line cord of the appliance directly into a 120V AC 60 Hz outlet and turn the AC power switch on. Any current measured must not exceed 0.5 mA.




AC Leakage Test

ANY MEASUREMENTS NOT WITHIN THE LIMITS OUTLINED ABOVE ARE INDICATIVE OF A POTENTIAL SHOCK HAZARD AND MUST BE CORRECTED BEFORE RETURNING THE APPLIANCE TO THE CUSTOMER.

2. PRODUCT SAFETY NOTICE

Many electrical and mechanical parts in the appliance have special safety related characteristics. These are often not evident from visual inspection nor the protection afforded by them necessarily can be obtained by using replacement components rated for voltage, wattage, etc. Replacement parts which have these special safety characteristics are identified in this Service Manual.

Electrical components having such features are identified by marking with a  on the schematics and on the parts list in this Service Manual.

The use of a substitute replacement component which does not have the same safety characteristics as the PIONEER recommended replacement one, shown in the parts list in this Service Manual, may create shock, fire, or other hazards.

Product Safety is continuously under review and new instructions are issued from time to time. For the latest information, always consult the current PIONEER Service Manual. A subscription to, or additional copies of, PIONEER Service Manual may be obtained at a nominal charge from PIONEER.

[Important Check Points for Good Servicing]

In this manual, procedures that must be performed during repairs are marked with the below symbol. Please be sure to confirm and follow these procedures.

1. Product safety



Please conform to product regulations (such as safety and radiation regulations), and maintain a safe servicing environment by following the safety instructions described in this manual.

- ① Use specified parts for repair.

Use genuine parts. Be sure to use important parts for safety.

- ② Do not perform modifications without proper instructions.

Please follow the specified safety methods when modification (addition/change of parts) is required due to interferences such as radio/TV interference and foreign noise.

- ③ Make sure the soldering of repaired locations is properly performed.

When you solder while repairing, please be sure that there are no cold solder and other debris. Soldering should be finished with the proper quantity. (Refer to the example)

- ④ Make sure the screws are tightly fastened.

Please be sure that all screws are fastened, and that there are no loose screws.

- ⑤ Make sure each connectors are correctly inserted.

Please be sure that all connectors are inserted, and that there are no imperfect insertion.

- ⑥ Make sure the wiring cables are set to their original state.

Please replace the wiring and cables to the original state after repairs. In addition, be sure that there are no pinched wires, etc.

- ⑦ Make sure screws and soldering scraps do not remain inside the product.

Please check that neither solder debris nor screws remain inside the product.

- ⑧ There should be no semi-broken wires, scratches, melting, etc. on the coating of the power cord.

Damaged power cords may lead to fire accidents, so please be sure that there are no damages. If you find a damaged power cord, please exchange it with a suitable one.

- ⑨ There should be no spark traces or similar marks on the power plug.

When spark traces or similar marks are found on the power supply plug, please check the connection and advise on secure connections and suitable usage. Please exchange the power cord if necessary.

- ⑩ Safe environment should be secured during servicing.

When you perform repairs, please pay attention to static electricity, furniture, household articles, etc. in order to prevent injuries. Please pay attention to your surroundings and repair safely.

2. Adjustments



To keep the original performance of the products, optimum adjustments and confirmation of characteristics within specification. Adjustments should be performed in accordance with the procedures/instructions described in this manual.

3. Lubricants, Glues, and Replacement parts



Use grease and adhesives that are equal to the specified substance. Make sure the proper amount is applied.

4. Cleaning



For parts that require cleaning, such as optical pickups, tape deck heads, lenses and mirrors used in projection monitors, proper cleaning should be performed to restore their performances.

5. Shipping mode and Shipping screws



To protect products from damages or failures during transit, the shipping mode should be set or the shipping screws should be installed before shipment. Please be sure to follow this method especially if it is specified in this manual.

CONTENTS

	SAFETY INFORMATION	2
	1. SERVICE PRECAUTIONS	5
A	1.1 NOTES ON SOLDERING	5
	1.2 AMPLIFIER FAILURE DIAGNOSIS FLOW CHART	5
	2. SPECIFICATIONS	6
	2.1 SPECIFICATIONS	6
	2.2 PANEL FACILITIES	7
	3. BASIC ITEMS FOR SERVICE	12
	3.1 CHECK POINTS AFTER SERVICING	12
	3.2 PCB LOCATIONS	13
	4. BLOCK BIAGRAM	14
	4.1 OVERALL WIRING CONNECTION DIAGRAM	14
	4.2 BLOCK DIAGRAM	16
	4.3 DSP BLOCK DIAGRAM	18
B	5. DIAGNOSIS	19
	5.1 DIAGNOSIS FLOWCHART	19
	5.2 DETECTION CIRCUIT	23
	5.3 AMPLIFIER SYSTEM PROTECTION OPERATION SPECIFICATION	25
	6. SERVICE MODE	26
	7. DISASSEMBLY	27
	8. EACH SETTING AND ADJUSTMENT	29
	9. EXPLODED VIEWS AND PARTS LIST	30
	9.1 PACKING SECTION	30
	9.2 EXTERIOR SECTION	32
	9.3 REAR PANEL SECTION	34
C	9.4 FRONT PANEL SECTION	36
	10. SCHEMATIC DIAGRAM	38
	10.1 MAIN ASSY (1/3)	38
	10.2 MAIN ASSY (2/3)	40
	10.3 MAIN ASSY (3/3)	42
	10.4 DSP ASSY (1/2)	44
	10.5 DSP ASSY (2/2)	46
	10.6 POWER PACK (1/2) and TRANS2 ASSY	48
	10.7 POWER PACK ASSY (2/2)	50
	10.8 5.1CH INPUT and TRANS3 ASSYS	52
	10.9 FRONT DISPLAY, ROTARY ENCODER, POWER KEY and JOG ASSYS	54
	10.10 FRONT MINI JACK, DIGITAL INPUT, REGULATOR and HEAD PHONE ASSYS	56
D	10.11 VIDEO and PRIMARY ASSYS	58
	11. PCB CONNECTION DIAGRAM	60
	11.1 DSP ASSY	61
	11.2 MAIN ASSY	62
	11.3 POWER PACK ASSY	66
	11.4 TRANS2 and TRANS3 ASSYS	70
	11.5 5.1CH INPUT and HEAD PHONE ASSYS	72
	11.6 FRONT MINI JACK ASSY	73
	11.7 FRONT DISPLAY, ROTARY ENCODER, POWER KEY and JOG ASSYS	74
	11.8 DIGITAL INPUT ASSY	78
	11.9 REGULATOR ASSY	79
	11.10 PRIMARY ASSY	80
E	11.11 VIDEO ASSY	82
	12. ELECTRICAL PARTS LIST	83

1. SERVICE PRECAUTIONS

1.1 NOTES ON SOLDERING

- For environmental protection, lead-free solder is used on the printed circuit boards mounted in this unit.
Be sure to use lead-free solder and a soldering iron that can meet specifications for use with lead-free solders for repairs accompanied by reworking of soldering.
- Compared with conventional eutectic solders, lead-free solders have higher melting points, by approximately 40 °C. Therefore, for lead-free soldering, the tip temperature of a soldering iron must be set to around 373 °C in general, although the temperature depends on the heat capacity of the PC board on which reworking is required and the weight of the tip of the soldering iron.

Do NOT use a soldering iron whose tip temperature cannot be controlled.

Compared with eutectic solders, lead-free solders have higher bond strengths but slower wetting times and higher melting temperatures (hard to melt/easy to harden).

The following lead-free solders are available as service parts:

- Parts numbers of lead-free solder:
GYP1006 1.0 in dia.
GYP1007 0.6 in dia.
GYP1008 0.3 in dia.

1.2 AMPLIFIER FAILURE DIAGNOSIS FLOW CHART

■ Amplifier failure diagnosis flow chart

When DC detection is activated ("AMP_ERR" flashes on the display), failure (damage) of the power amplifier section is considered.

Caution:

When releasing the lock state of power key before repair, please be careful because there is the possibility that more damages will occur when turning on the power once again!

- According to a symptom, perform the following confirmation beforehand.

1) Are there any Fuses and IC protectors open?

↓

2) After turn on the power, confirm that the supply voltage of the point that can be measured is appropriate. (Particularly the supply voltage of the power Tr and drive step)

↓

3) Whether the voltage of pin2 and pin5 of IC601 or IC603 is equal to (VL-0.7V). If not (eg, equal to VH), then change the corresponding power pack IC601 or IC603.

↓

4) Furthermore, check the output DC voltage of each channel of power pack IC601 and IC603 to limit the failure channel and identify the defect power pack.

↓

- After identify the failure channel, check that each part is not damaged (resistor, diode... etc. value / open / short)

2. SPECIFICATIONS

2.1 SPECIFICATIONS

- A Amplifier section**
- **Continuous power output (stereo)**
Front100 W + 100 W
(DIN 1 kHz, THD 1.0 %, 8 Ω)
 - **Rated power output**
(surround / 20 Hz to 20 kHz, THD 0.06 %, 8 Ω)
Front95 W per channel
Center.95 W
Surround.95 W per channel
 - **Rated power output**
(surround / 1 kHz, THD 1.0 %, 8 Ω)
Front130 W per channel
Center.130 W
Surround130 W per channel
- B Audio section**
- **Input (Sensitivity/Impedance)**
CD, CD-R/TAPE/MD, DVD/BD,
TV/SAT, DVR/VCR335 mV/47 kΩ
 - **Frequency response**
CD, CD-R/TAPE/MD, DVD/BD,
TV/SAT, DVR/VCR 5 Hz to 100 000 Hz ± 3 dB
 - **Output (Level/Impedance)**
CD-R/TAPE/MD, DVR/VCR 335 mV/2.2 kΩ
 - **Tone control**
Bass ± 6 dB (100 Hz)
Treble ± 6 dB (10 kHz)
Loudness +10 dB/+5 dB (100 Hz/10 kHz)
(at volume level -50 dB)
 - **Signal-to-Noise Ratio DIN (Continuous rated power output/ 50 mW)**
CD, CD-R/TAPE/MD, DVD/BD,
TV/SAT, DVR/VCR 88 dB/64 dB
- C Video Section**
- **Input (Sensitivity/Impedance)**
DVR/VCR, DVD/BD, TV/SAT1 Vp-p/75 Ω
 - **Output (Level/Impedance)**
DVR/VCR, MONITOR OUT1 Vp-p/75 Ω
 - **Frequency response**
DVR/VCR, DVD/BD,
TV/SAT \Rightarrow MONITOR 5 Hz to 7 MHz ± 3 dB
Signal-to-Noise Ratio. 55 dB
Crosstalk. 50 dB

- FM Tuner Section**
- Frequency Range.87.5 MHz to 108 MHz
Usable Sensitivity Mono: 13.2 dBf, IHF
(1.3 μ V/75 Ω)
50 dB Quieting Sensitivity. Mono: 20.2 dBf
Stereo: 38.6 dBf
Signal-to-Noise Ratio. . . Mono: 73 dB (at 85 dBf)
Stereo: 70 dB (at 85 dBf)
- Distortion.Stereo: 0.5 % (1 kHz)
Alternate Channel Selectivity . . 60 dB (400 kHz)
Stereo Separation. 40 dB (1 kHz)
Frequency Response 30 Hz to 15 kHz
(± 1 dB)
Antenna Input (DIN).75 Ω unbalanced

- AM Tuner Section**
- Frequency Range 531 kHz to 1602 kHz
Sensitivity (IHF, Loop antenna).350 μ V/m
Signal-to-Noise Ratio50 dB
Antenna.Loop antenna

- Miscellaneous**
- Power requirements
. AC 220 V to 230 V, 50 Hz/60 Hz
Power consumption. 280 W
In standby0.5 W
Dimensions
.420 mm (W) x 158 mm (H) x 352.5 mm (D)
Weight (without package) 7.9 kg

- Furnished Parts**
- Remote control1
 - Dry cell batteries (AA size IEC R6).2
 - AM loop antenna1
 - FM wire antenna.1
 - Warranty card.1
 - Operating instructions

 **Note**

- Specifications and the design are subject to possible modifications without notice, due to improvements.

Manufactured under license from Dolby Laboratories. "Dolby", "Pro Logic" and the double-D symbol are trademarks of Dolby Laboratories.

"DTS" is a registered trademark of DTS, Inc. and "DTS 96/24" is a trademark of DTS, Inc.

E

 **Accessories**



AM loop antenna (ATB7013)

FM wire antenna (ADH7030)

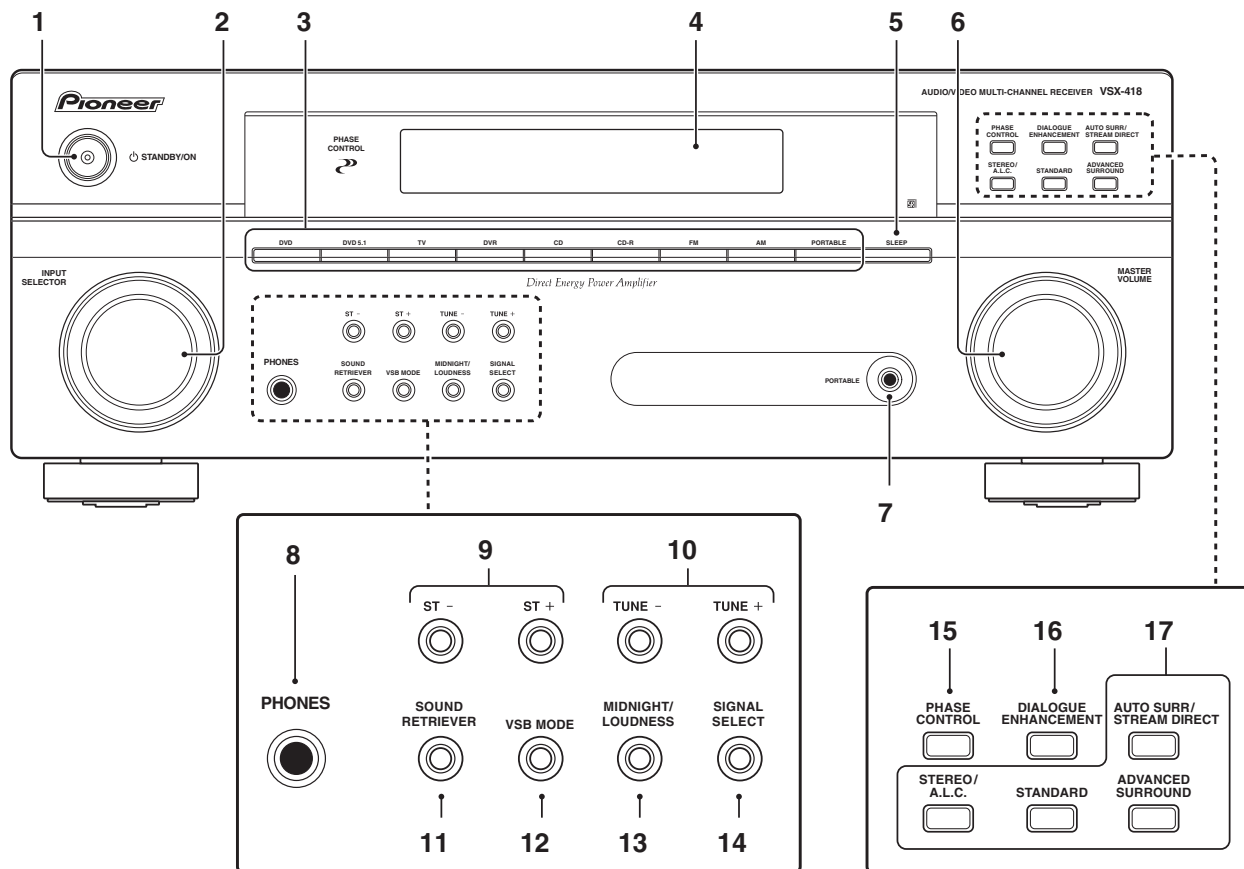
AA size IEC R6 Dry cell batteries (x2)

Remote control (VSX-418-K : XXD3169) (VSX-418-S : XXD3168)

F

2.2 PANEL FACILITIES

Front panel



1 **STANDBY/ON**

2 **INPUT SELECTOR dial**

Selects an input source.

3 **Input select buttons**

Selects an input source.

4 **Character display**

5 **SLEEP**

Press to change the amount of time before the receiver switches into standby (**30 min – 60 min – 90 min – Off**). You can check the remaining sleep time at any time by pressing **SLEEP** once.

6 **MASTER VOLUME dial**

7 **PORTABLE audio input jack**

Connect an auxiliary component using a stereo mini-jack cable.

8 **PHONES jack**

Use to connect headphones (when connected, there is no sound output from the speakers).

9 **ST +/-**

Use to select preset radio stations.

10 **TUNE +/-**

Used to find radio frequencies.

11 **SOUND RETRIEVER**

Press to restore CD quality sound to compressed audio sources).

12 **VSB MODE**

Press to switch on/off Virtual Surround Back (VSB) mode.

13 **MIDNIGHT/LOUDNESS**

Switches to Midnight/Loudness listening.

14 **SIGNAL SELECT**

Selects an input signal.

15 **PHASE CONTROL**

Press to switch on/off Phase Control.

16 **DIALOGUE ENHANCEMENT**

Use to make dialog stand out when watching TV or a movie.

17 Listening mode buttons


AUTO SURR/STREAM DIRECT

Switches between Auto surround mode (Auto playback) and Stream Direct playback. Stream Direct playback bypasses the tone controls for the most accurate reproduction of a source.

STEREO/A.L.C.

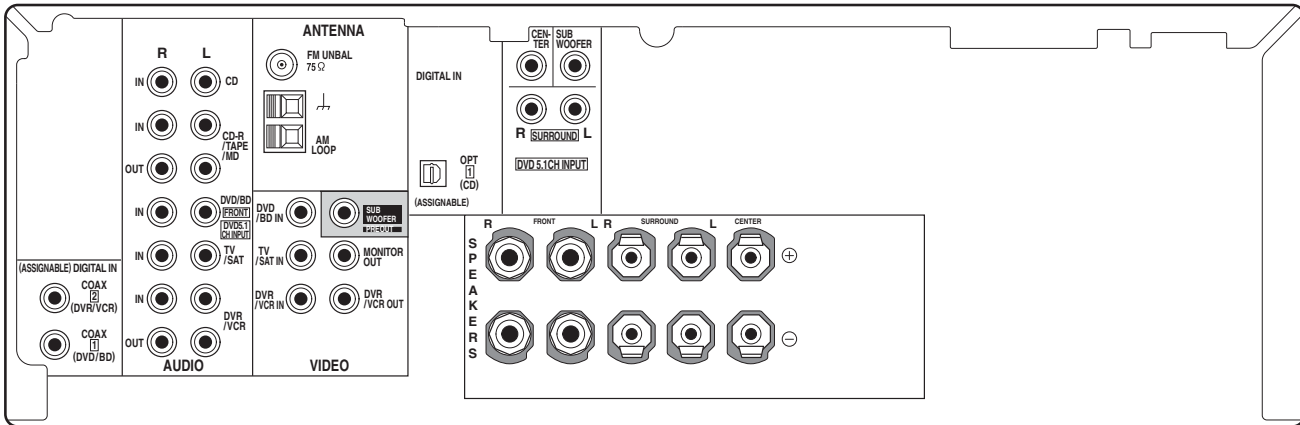
Switches between stereo playback, Auto level control stereo mode and Front Stage Surround Advance modes.

STANDARD

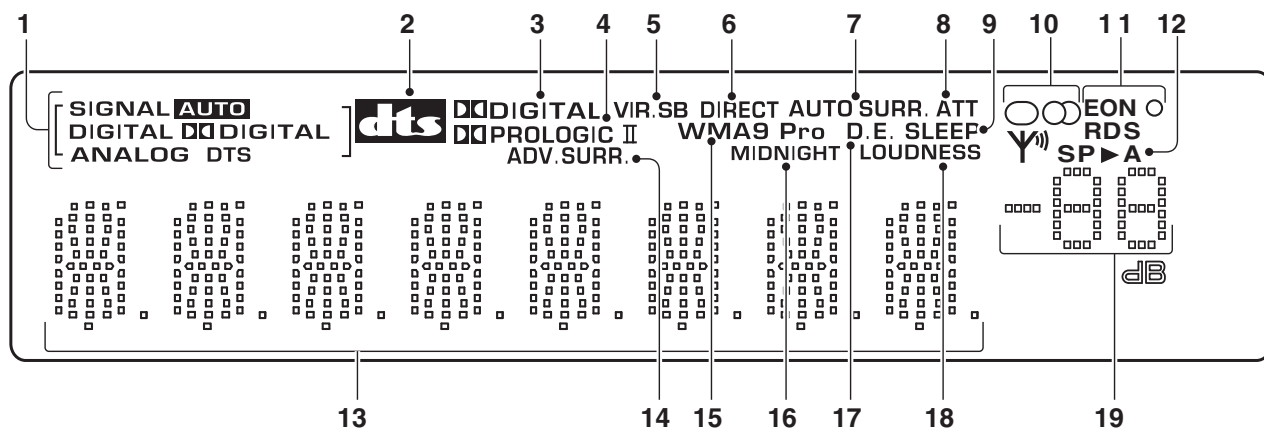
Press for Standard decoding and to switch between the various  Pro Logic II options.

ADVANCED SURROUND

Switches between the various surround modes.



Display



1 SIGNAL indicators

Lights to indicate the type of input signal assigned for the current component:

AUTO

Lights when **AUTO** signal select is on.

DIGITAL

Lights when a digital audio signal is detected.

DIGITAL

Lights when a Dolby Digital encoded signal is detected.

ANALOG

Lights when an analog signal is detected.

DTS

Lights when a source with DTS encoded audio signals is detected.

2

Lights to indicate decoding of a DTS multichannel signal.

3 DIGITAL

Lights to indicate decoding of a Dolby Digital multichannel signal.

4 PRO LOGIC II

Lights to indicate Pro Logic II decoding.

5 VIR.SB

Lights during Virtual surround back processing.

6 DIRECT

Lights when source Stream Direct playback is in use. Direct playback bypasses the tone controls for the most accurate reproduction of a source.

7 AUTO SURR.

Lights when the Auto Surround feature is switched on.

8 ATT

Lights when **ANALOG ATT** is used to attenuate (reduce) the level of the analog input signal.

9 SLEEP

Lights when the receiver is in sleep mode.

10 Tuner indicators

/ MONO

Lights when the mono mode is set using the **MPX** button.

/ STEREO


Lights when a stereo FM broadcast is being received in auto stereo mode.

/ TUNED

Lights when a broadcast is being received.

11 EON/RDS indicators

EON

Lights when the EON mode is set, and flashes during an EON broadcast. The  indicator lights when the current station carries the EON service.

RDS

Lights when an RDS broadcast is received.

12 Speaker indicator

Shows if the speaker system is on or not.

SP > A means the speakers are switched on.

SP > means the headphones are connected.

13 Character display

14 ADV.SURR. (Advanced Surround)

Lights when one of the Advanced Surround modes has been selected.

15 WMA9 Pro

Lights to indicate decoding of a WMA9 Pro signal.

16 MIDNIGHT

Lights during Midnight listening.

17 D.E.

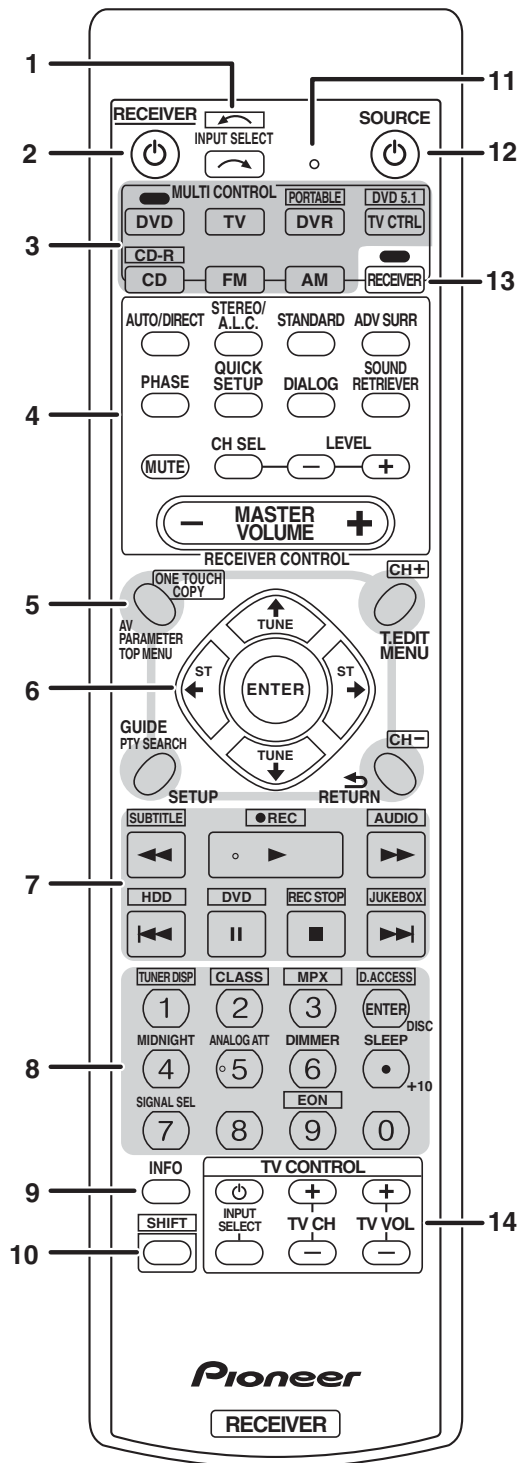
Lights when Dialog Enhancement is switched on.

18 LOUDNESS

Lights during Loudness listening.

19 Master volume level

Remote control



1 INPUT SELECT

Use to select the input source (use **SHIFT** for **INPUT SELECT**).

2 RECEIVER

Switches the receiver between standby and on.

3 MULTI CONTROL buttons

Press to select control of other components.

PORTABLE, **DVD 5.1** and **CD-R** buttons can be used with **SHIFT** button.

4 RECEIVER CONTROL buttons

AUTO/DIRECT

Switches between Auto surround mode (Auto playback) and Stream Direct playback. Stream Direct playback bypasses the tone controls for the most accurate reproduction of a source.

STEREO/A.L.C.

Switches between stereo playback, Auto level control stereo mode and Front Stage Surround Advance modes.

STANDARD

Press for Standard decoding and to switch between Pro Logic II options.

ADV SURR

Switches between the various surround modes.

PHASE

Press to switch on/off Phase Control.

QUICK SETUP

DIALOG

Use to make dialog stand out when watching TV or a movie.

SOUND RETRIEVER

Press to restore CD quality sound to compressed audio sources.

MUTE

Mutes/unmutes the sound.

CH SEL

Press repeatedly to select a channel, then use **LEVEL +/-** to adjust the level.

LEVEL +/-

Use to adjust the channel levels.

MASTER VOLUME +/-

Use to set the listening volume.

5 System Setup and Component control buttons

The following button controls can be accessed after you have selected the corresponding **MULTI CONTROL** button (**DVD**, **DVR**, **RECEIVER**, etc.).

AV PARAMETER

Use to access the AV options.

TOP MENU

Displays the disc 'top' menu of a DVD.

ONE TOUCH COPY*

Copies the currently playing title from DVD to HDD or vice-versa.

GUIDE

Displays/changes the subtitles on multilingual DVDs.

PTY SEARCH

Use to search for RDS program types.

SETUP

Press to access the System Setup menu. Also functions as the **SETUP** button for DVD/DVR units.

T.EDIT

Memorizes/names stations for recall.

MENU

Displays the disc menu of DVD-Video discs.

RETURN

Confirm and exit the current menu screen.

CH +/-*

Use to select channels for DVD/DVR units.

6 **↑↓←→ (TUNE ↑/↓, ST ←/→), ENTER**

Use the arrow buttons when setting up your surround sound system. Also used to control DVD menus/options.

Use the **TUNE ↑/↓** buttons can be used to find radio frequencies and the **ST ←/→** buttons can be used to select preset radio stations.

7 Component control buttons

Use these buttons to control a Pioneer DVD player or recorder connected to your system. These buttons can be accessed after the **DVD** or **DVR** button is pressed.

Button	What it does
▶	Starts/resumes normal playback.
	Pauses/unpauses a disc.
■	Stops playback.
◀◀/▶▶	Press to start fast reverse/forward scanning.
⏮	Skips to the start of the current track or chapter, then previous tracks/chapters.
⏭	Skips to the next track or chapter.
●REC*	Starts recording.
REC STOP*	Stops recording.
SUBTITLE*	Displays/changes the subtitles on multilingual DVD-Video discs.
AUDIO*	Changes the audio language or channel on DVD discs.
HDD*, DVD*	Switch between the hard disk and DVD controls for DVR.
JUKEBOX*	Display the jukebox screen.

8 Number buttons and other component controls

Use the number buttons to directly select a radio frequency or the tracks on a Pioneer DVD/DVR units. There are other buttons that can be accessed after the **RECEIVER** button is pressed. (For example **MIDNIGHT**, etc.)

TUNER DISP*

Switches between named station presets and radio frequencies.

CLASS*

Switches between the three banks (classes) of radio station presets.

MPX*

Switches between stereo and mono reception of FM broadcasts. If the signal is weak then switching to mono will improve the sound quality.

D.ACCESS*

After pressing, you can access a radio station directly using the number buttons.

MIDNIGHT

Switches to Midnight or Loudness listening.

ANALOG ATT

Attenuates (lowers) the level of an analog input signal to prevent distortion.

DIMMER

Dims or brightens the display.

SLEEP

Press to change the amount of time before the receiver switches into standby (**30 min – 60 min – 90 min – Off**). You can check the remaining sleep time at any time by pressing **SLEEP** once.

SIGNAL SEL

Use to select an input signal.

EON*

Use to search for programs that are broadcasting traffic or news information.

9 INFO

Displays additional EPG information on a DVD/DVR.

10 SHIFT

Press to access the 'boxed' commands (above the buttons) on the remote. These buttons are marked with an asterisk (*) in this section.

11 Remote control LED

Lights when a command is sent from the remote control.

12 **⏻ SOURCE**

Turns on or off the power of the Pioneer DVD/DVR units when **DVD** or **DVR** is selected using the **MULTI CONTROL** buttons.

13 RECEIVER

Switches the remote to control the receiver (used to select the green commands above the number buttons (**SETUP**, etc)). Also use this button to set up surround sound.

14 TV CONTROL buttons

These buttons can control only be used with Pioneer flat screen TVs.

⏻ Use to turn on/off the power of the TV.

INPUT SELECT

Use to select the TV input signal.

TV CH +/-

Use to select channels.

TV VOL +/-

Use to adjust the volume on your TV.

3. BASIC ITEMS FOR SERVICE

3.1 CHECK POINTS AFTER SERVICING

A

To keep the product quality after servicing, confirm recommended check points shown below.

No.	Procedure	Check points
1	Confirm whether the customer complain has been solved. If the customer complain occurs with the particular source, such as Dolby Digital, DTS, AAC, DVD-A and HDMI, input it for the operation check.	The customer complain must not be reappeared. Video, Audio and operations must be normal.
2	Check the analog audio playback. (Make the analog connections with a DVD player.)	Each channel audio and operations must be normal.
3	Check the digital audio playback. (Make the digital connections with a DVD player.)	Each channel audio and operations must be normal.
4	Check surround playback. (Select Surround mode and check the multichannel operations via the DSP circuit.)	Each channel audio and operations must be normal.
5	Check the video outputs. (Connect with a DVD player.)	Video and operations must be normal.
6	Check the sound from headphone output.	Sound must be normal, without noise.
7	Check the appearance of the product.	No scratches or dirt on its appearance after receiving it for service.

C

See the table below for the items to be checked regarding video and audio:

Items to be checked regarding video	Item to be checked regarding audio
Block noise	Distortion
Horizontal noise	Noise
Dot noise	Volume too low
Disturbed image (video jumpiness)	Volume too high
Too dark	Volume fluctuating
Too bright	Sound interrupted
Mottled color	

D

■ CLEANING



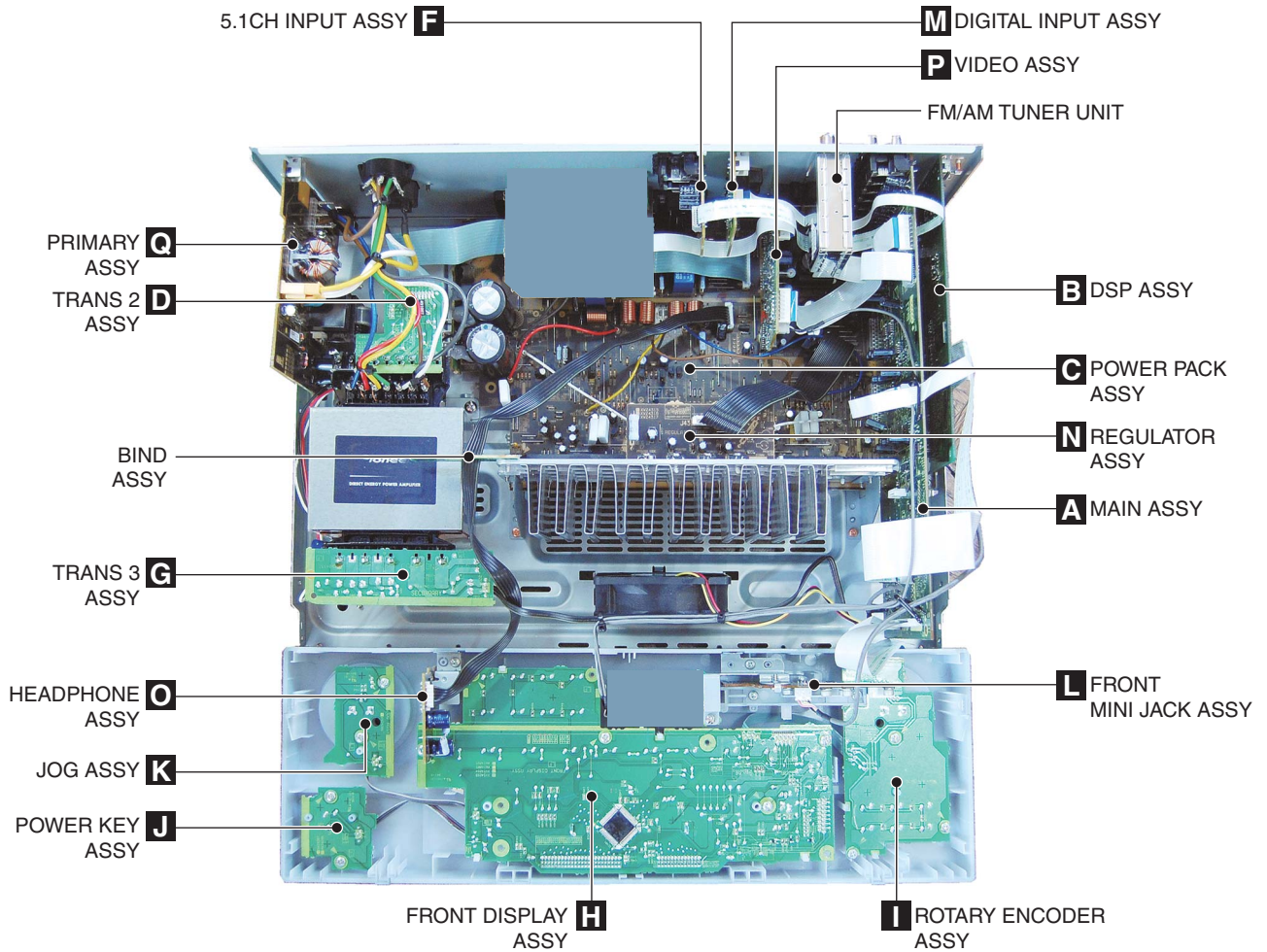
Before shipping out the product, be sure to clean the following positions by using the prescribed cleaning tools:

E

Position to be cleaned	Cleaning tools
Fans	Cleaning paper : GED-008

F

3.2 PCB LOCATIONS

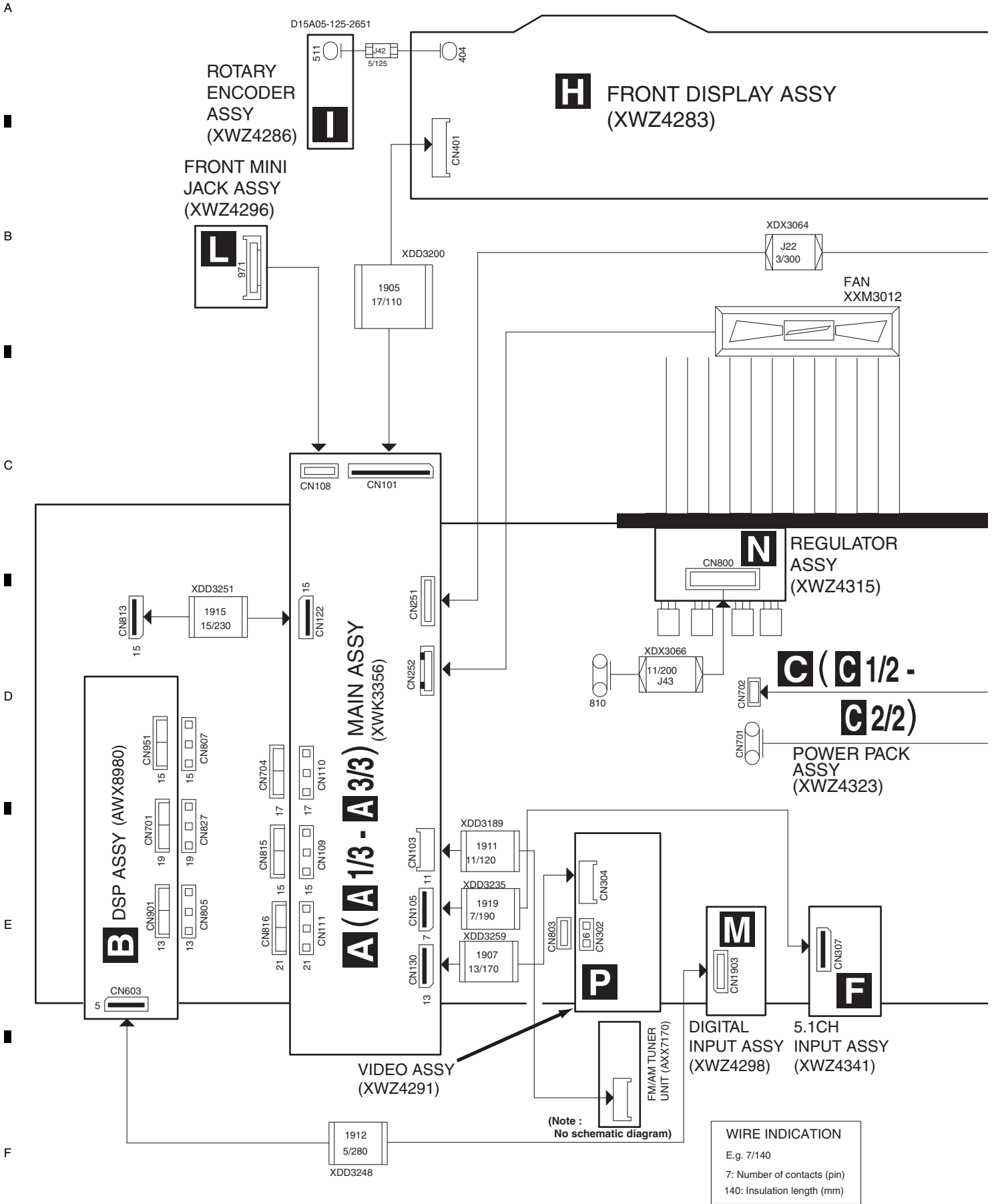


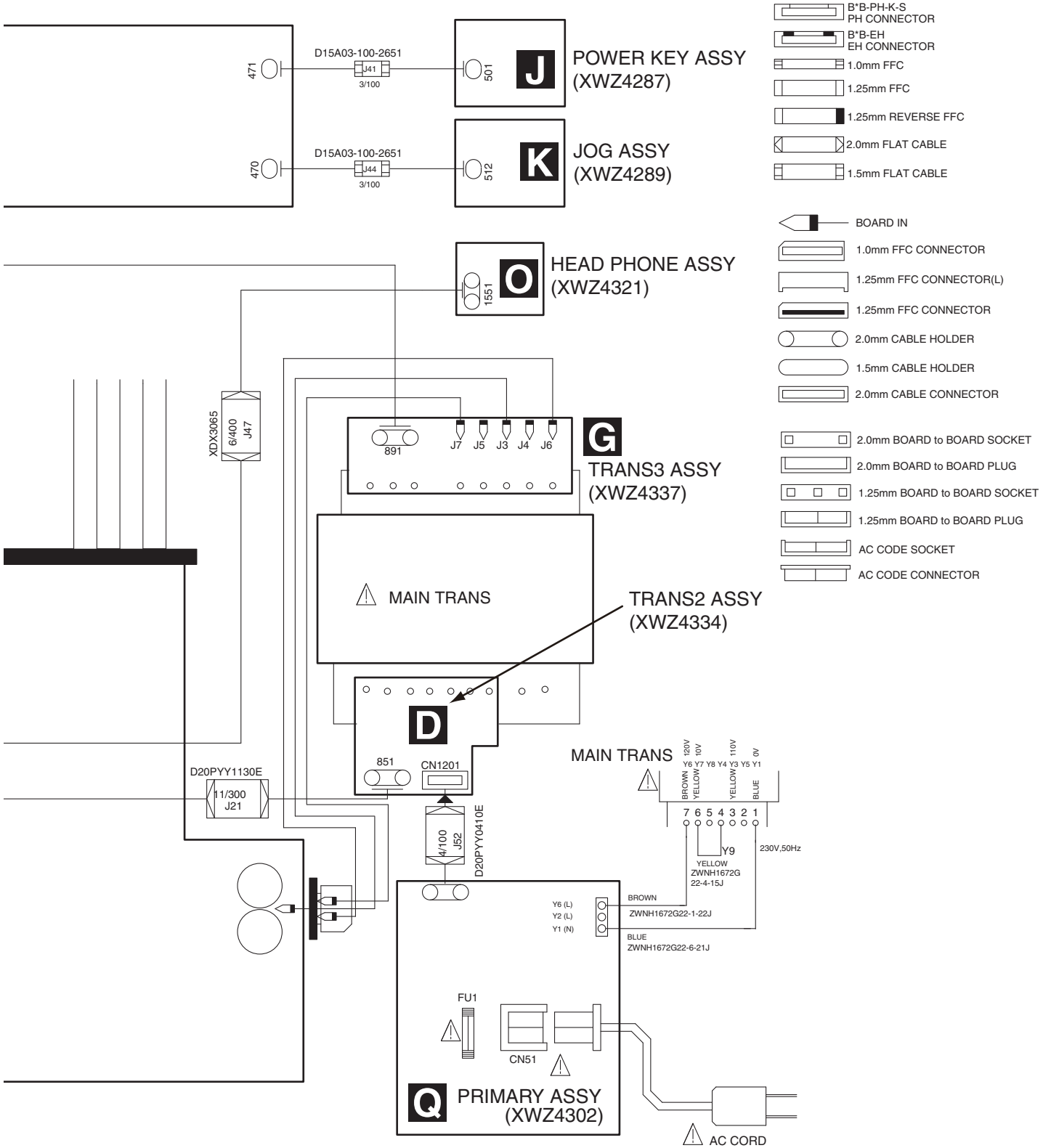
NOTES: ● Parts marked by “NSP” are generally unavailable because they are not in our Master Spare Parts List.
 ● The ⚠ mark found on some component parts indicates the importance of the safety factor of the part.
 Therefore, when replacing, be sure to use parts of identical designation.


Mark No.	Description	Part No.	Mark No.	Description	Part No.
LIST OF ASSEMBLIES					
	1..DSP ASSY	AWX8980	NSP	1..AMP ASSY	XWK3346
NSP	1..COMPLEX ASSY	XWK3332		2..POWER PACK ASSY	XWZ4323
	2..FRONT DISPLAY ASSY	XWZ4283		2..TRANS 2 ASSY	XWZ4334
	2..ROTARY ENCODER ASSY	XWZ4286		2..TRANS 3 ASSY	XWZ4337
	2..POWER KEY ASSY	XWZ4287		2..5.1CH INPUT ASSY	XWZ4341
	2..JOG ASSY	XWZ4289		2..BIND ASSY	XWZ4344
	2..VIDEO ASSY	XWZ4291	1..MAIN ASSY		XWK3356
	2..FRONT MINI JACK ASSY	XWZ4296	1..FM/AM TUNER UNIT		AXX7170
	2..DIGITAL INPUT ASSY	XWZ4298			
	2..PRIMARY ASSY	XWZ4302			
	2..REGULATOR ASSY	XWZ4315			
	2..HEADPHONE ASSY	XWZ4321			

4. BLOCK DIAGRAM

4.1 OVERALL WIRING CONNECTION DIAGRAM

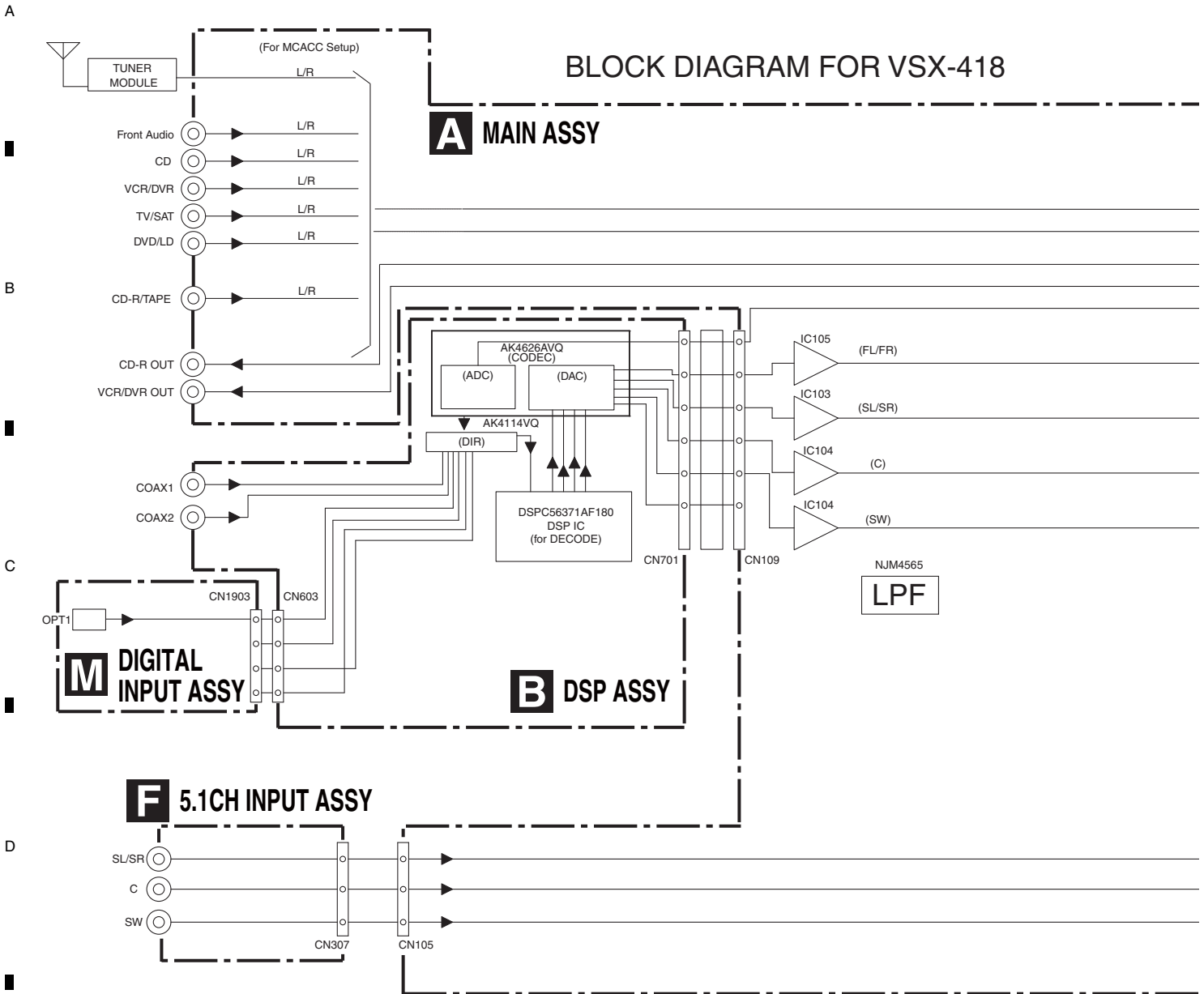




- When ordering service parts, be sure to refer to "EXPLODED VIEWS and PARTS LIST" or "PCB PARTS LIST".
- The ⚠ mark found on some component parts indicates the importance of the safety factor of the part. Therefore, when replacing, be sure to use parts of identical designation.
-  : The power supply is shown with the marked box.

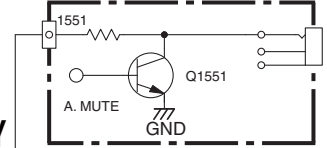
4.2 BLOCK DIAGRAM

BLOCK DIAGRAM FOR VSX-418

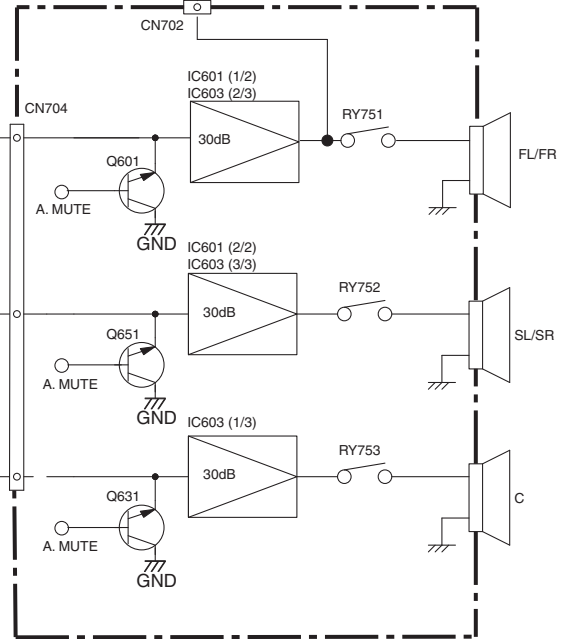


⇨ : VIDEO SIGNAL FLOW
 ⇨ : AUDIO SIGNAL FLOW

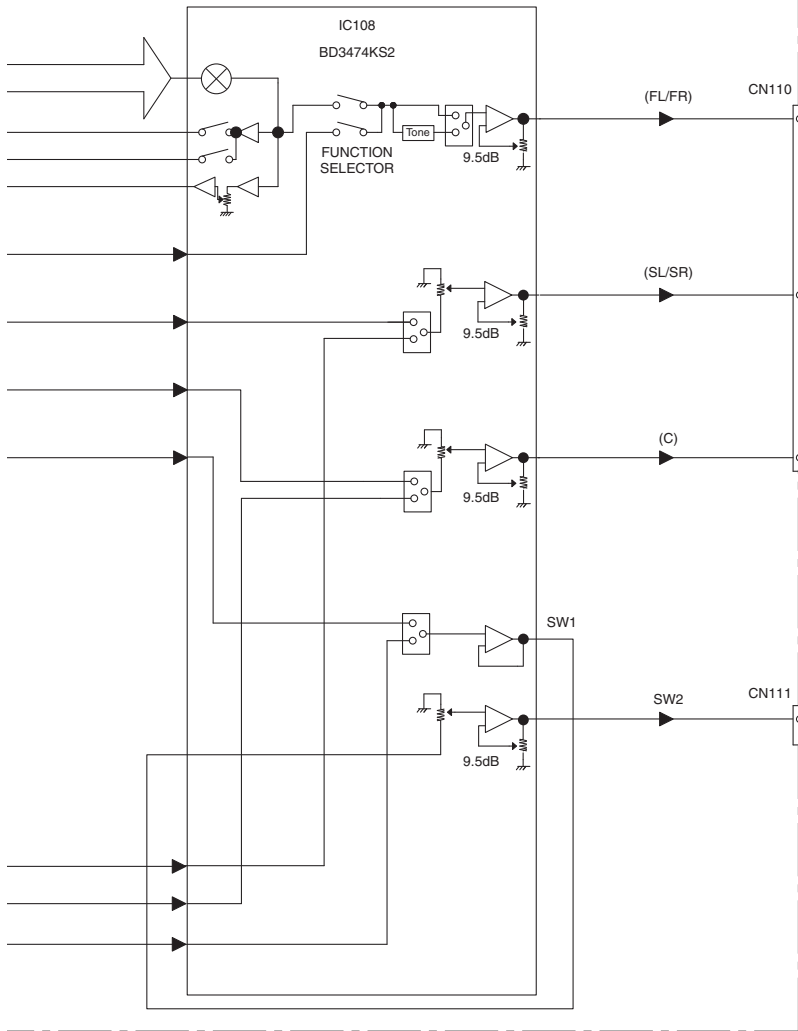
O HEAD PHONE ASSY



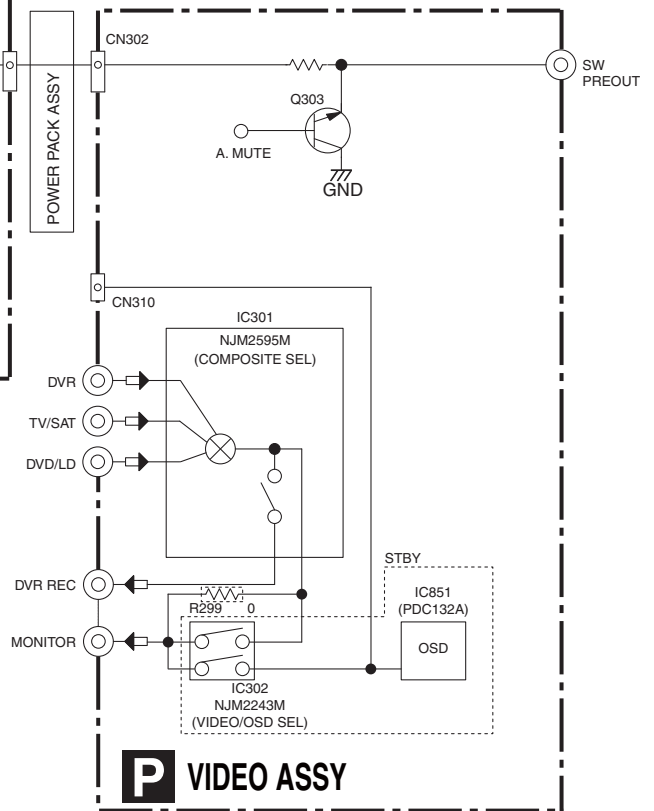
C POWER PACK ASSY



EVOL/SELECTOR



POWER PACK ASSY



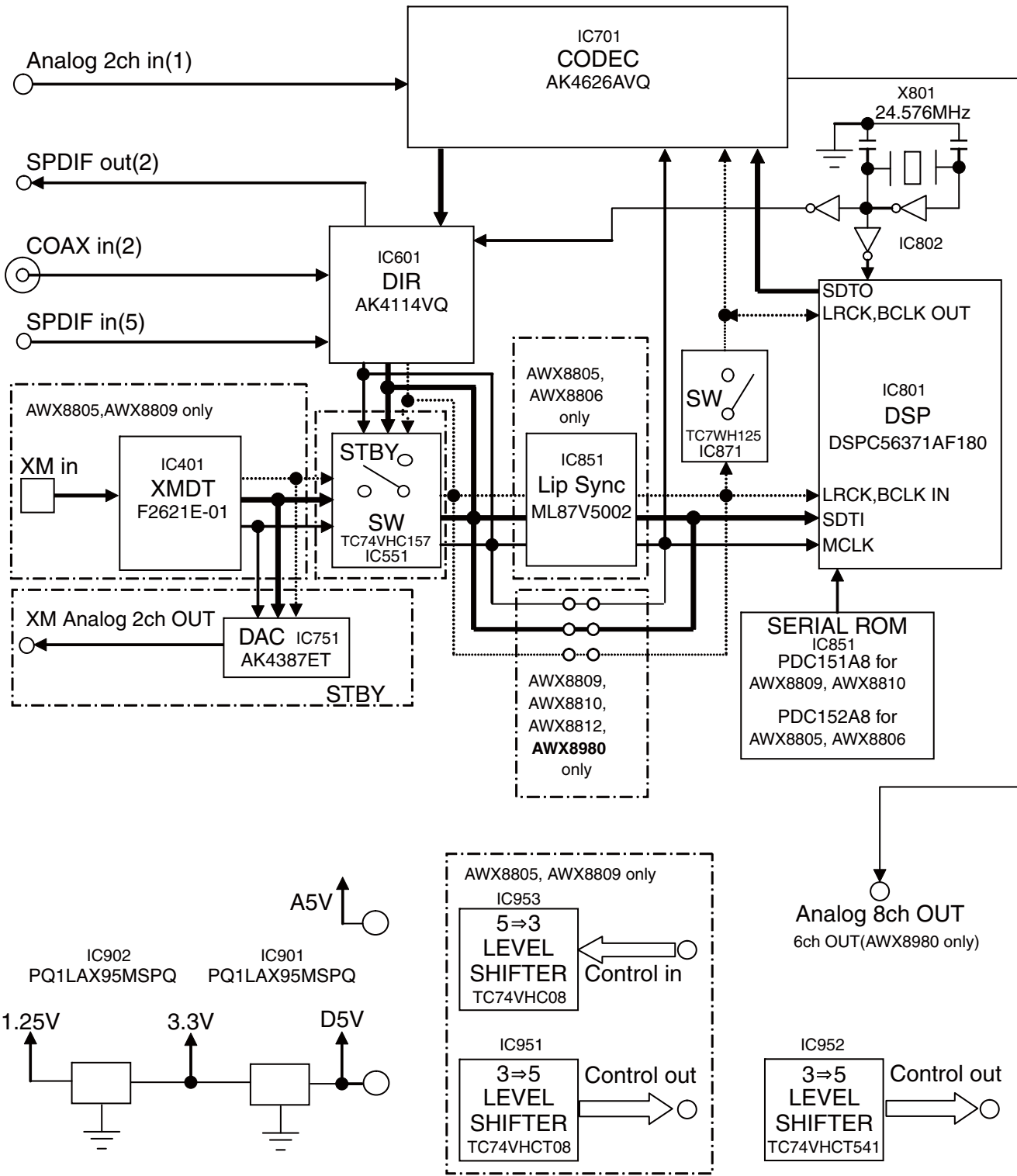
P VIDEO ASSY

A
B
C
D
E
F

4.3 DSP BLOCK DIAGRAM

DSP ASSY Block Diagram

B DSP ASSY
(VSX-418 : AWX8980)



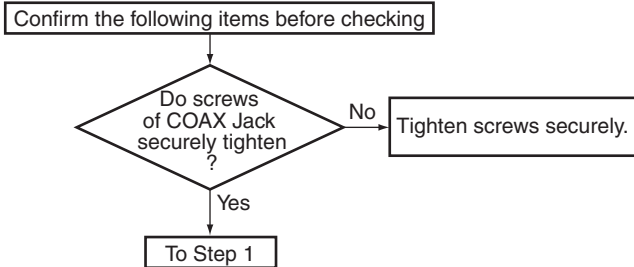
5. DIAGNOSIS

5.1 DIAGNOSIS FLOWCHART

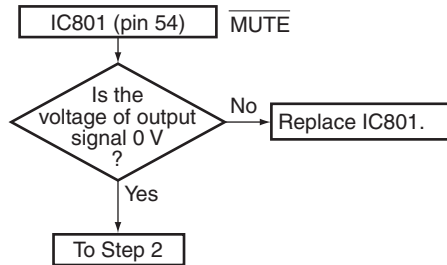
Troubleshooting for all destination

- When a sound is not out in the multi-CH signal playback mode or surround mode with the digital signal input. (SurroundBack is not output by setting.)
- Suppose CR to be normal contact and that is not damaged.
- This shows failure analysis of DSP Assy.

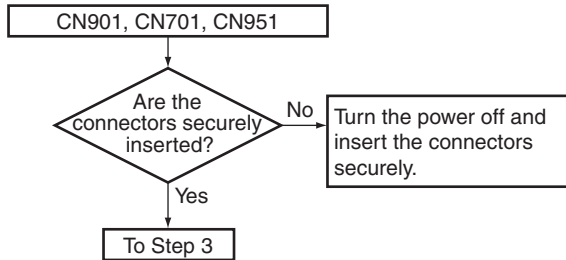
Step 0: Preliminary confirmation



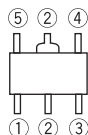
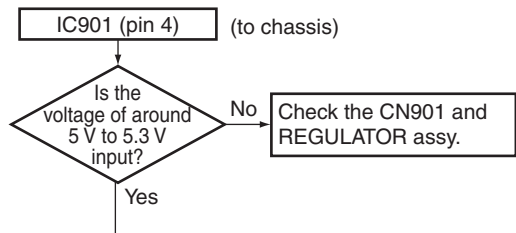
Step 1: MUTE pin



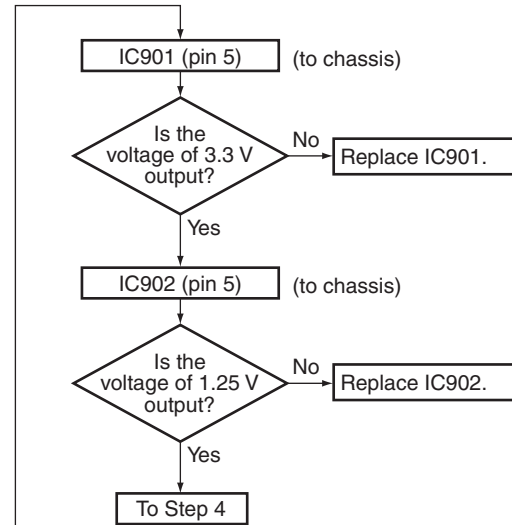
Step 2: BtoB connector



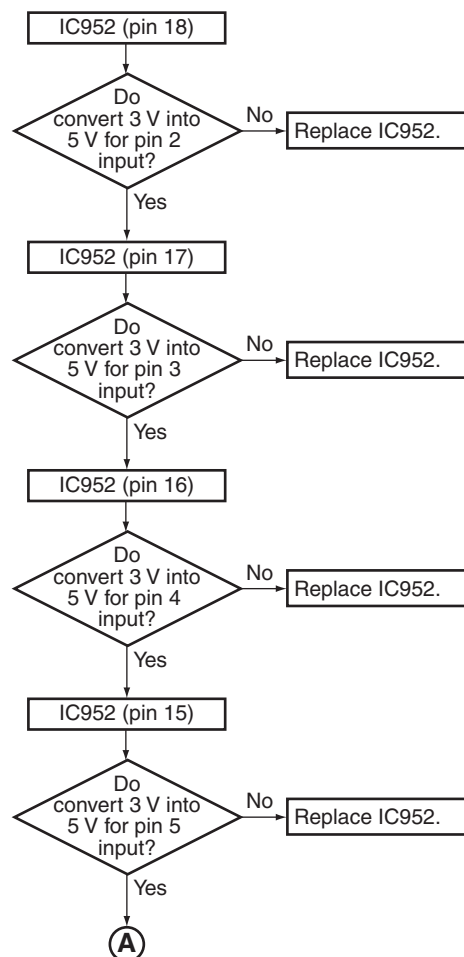
Step 3: Regulator IC



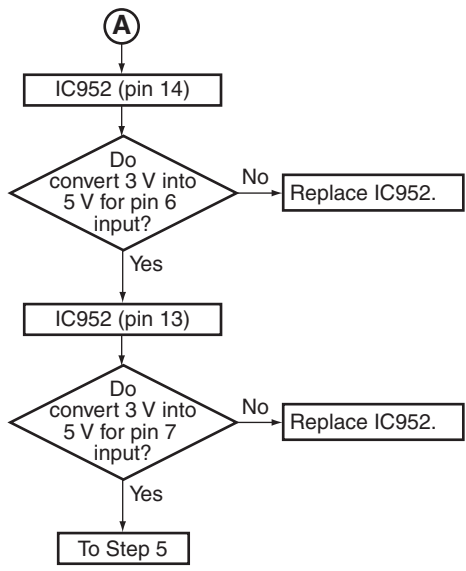
Part shape and Pin arrangement of IC901 and IC902



Step 4: 3 V to 5 V conversion



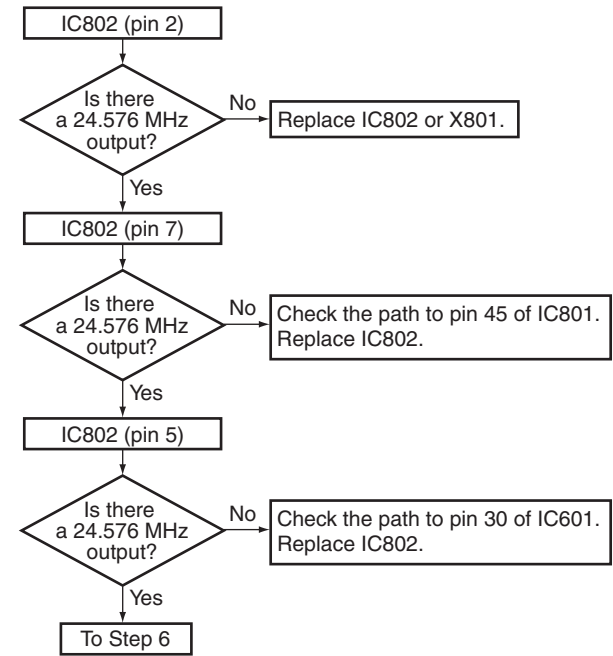
A



B

Step 5: X'tal

C



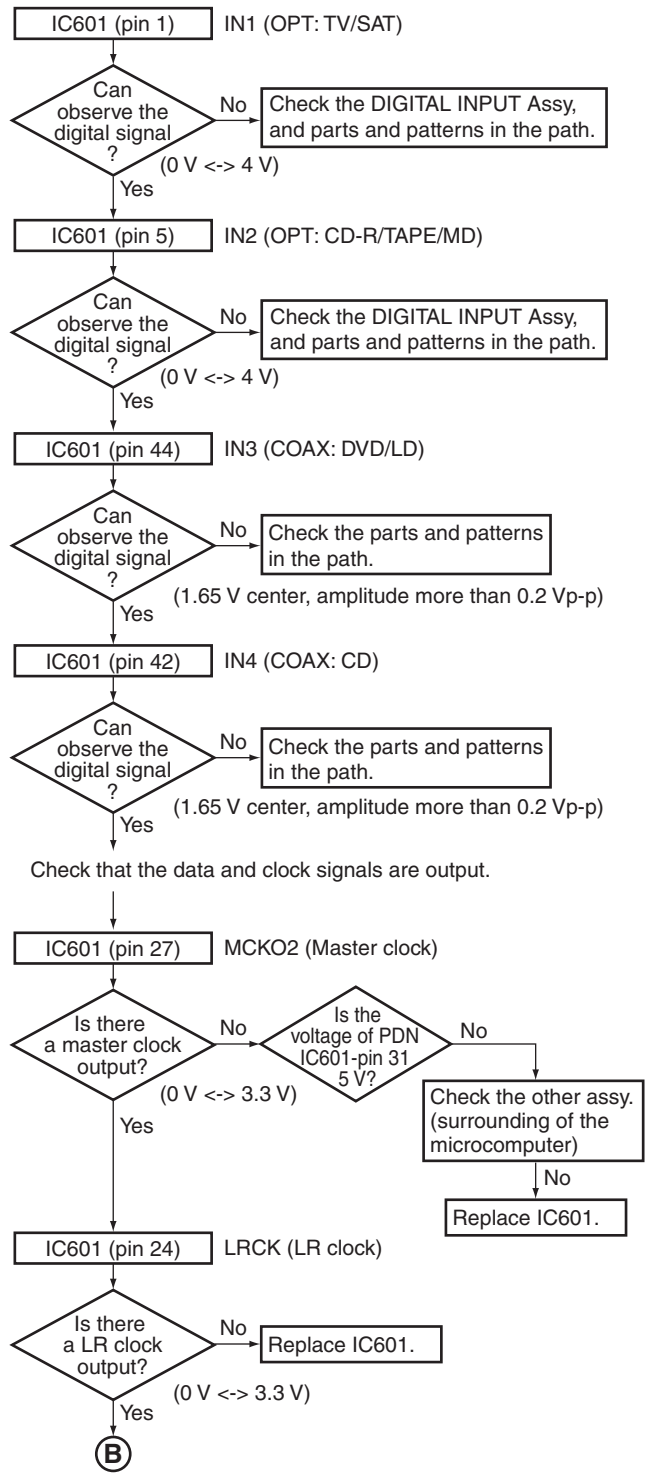
D

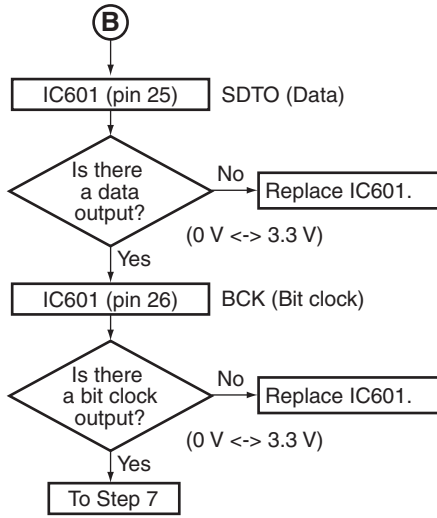
E

F

Step 6: DIR

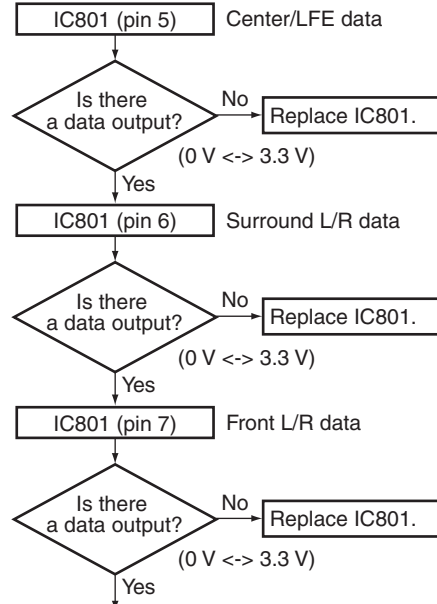
Check that the S/PDIF signal is output.
Check that changes by pulling out and inserting the digital input lines.



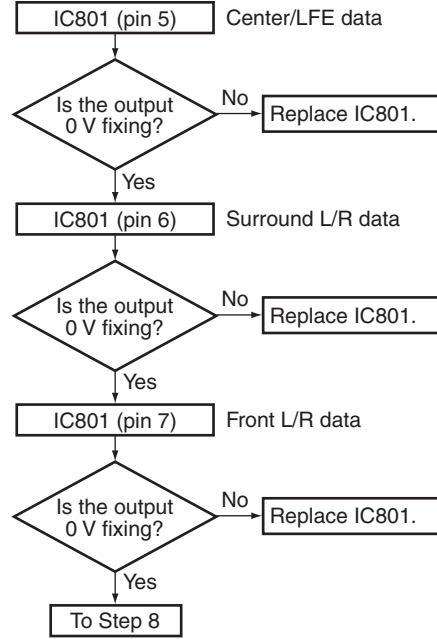


Step 7: DSP output (digital)

Digital output of each CH when inputting the digital signal with audio.

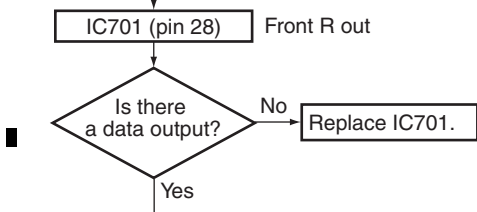
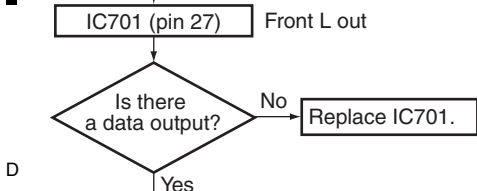
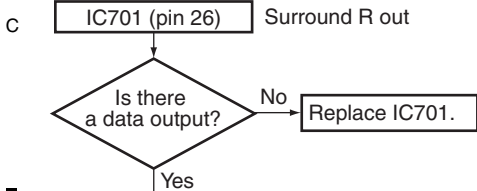
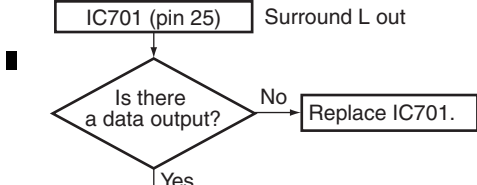
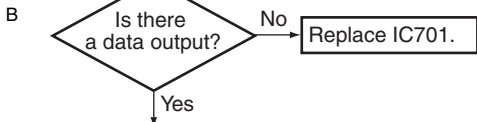
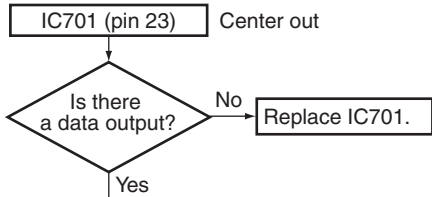


Digital output of each CH when inputting the digital signal (-∞ dB (no audio)).

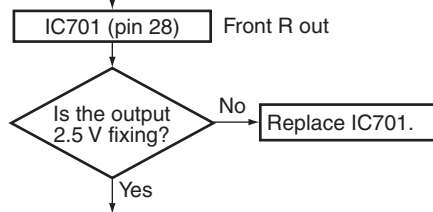
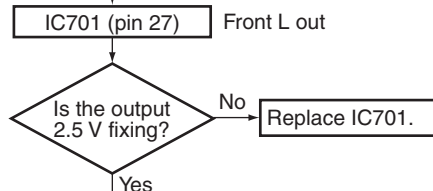
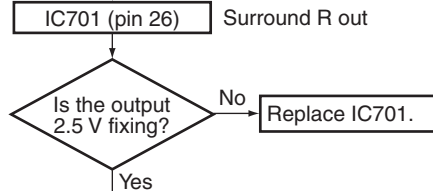
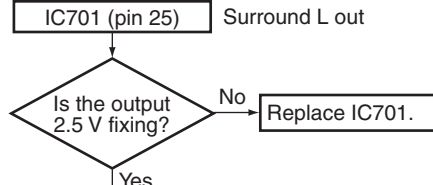
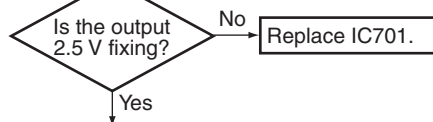
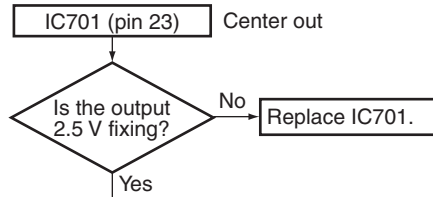


Step 8: Codec output (analog)

A Analog output of each CH when inputting the digital signal with audio.

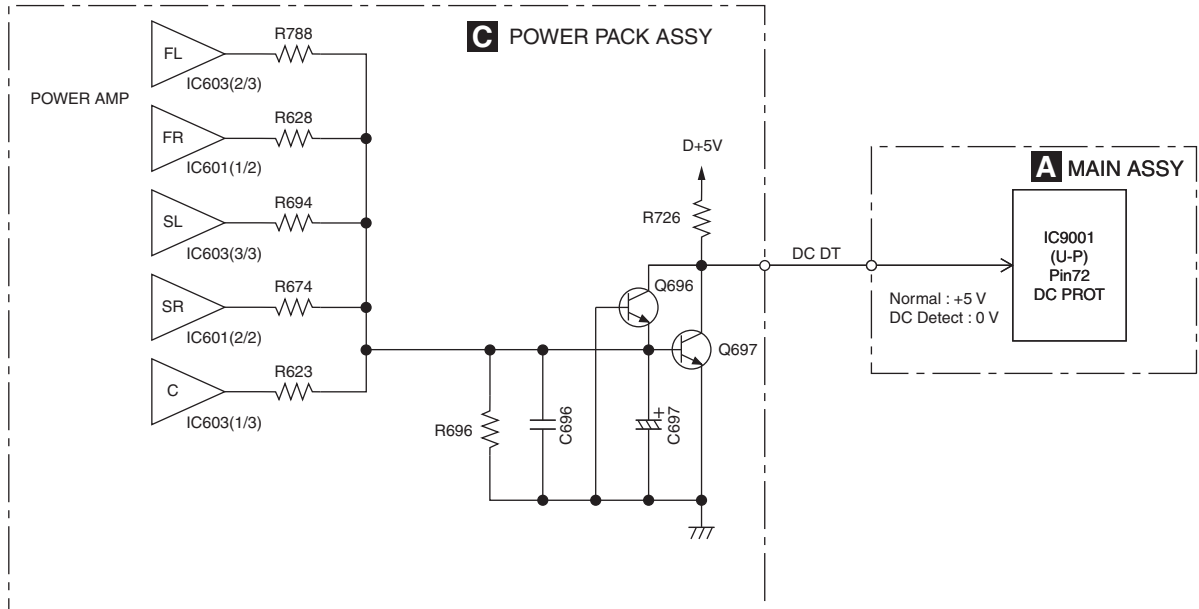


Analog output of each CH when inputting the digital signal (-∞ dB (no audio)).

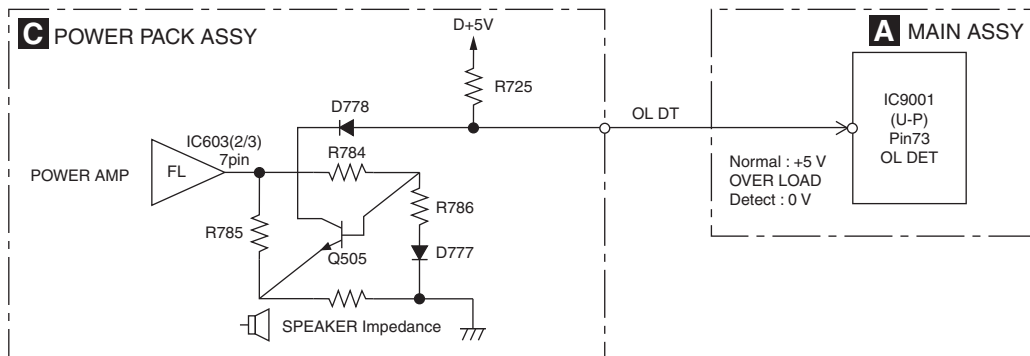


5.2 DETECTION CIRCUIT

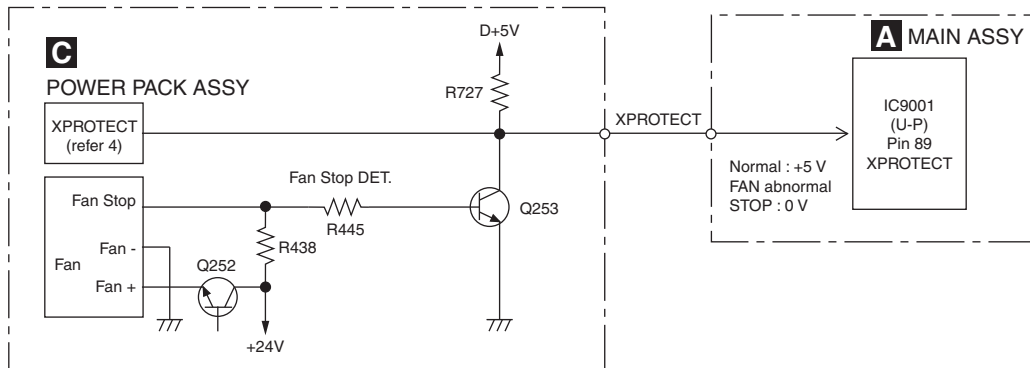
1. DC Derrection Circuit Diagram : Example of VSX-918V/KUXJ/CA



2. Overload Detection Circuit Diagram: Example of VSX-918V/KUXJ/CA FRONT Channel



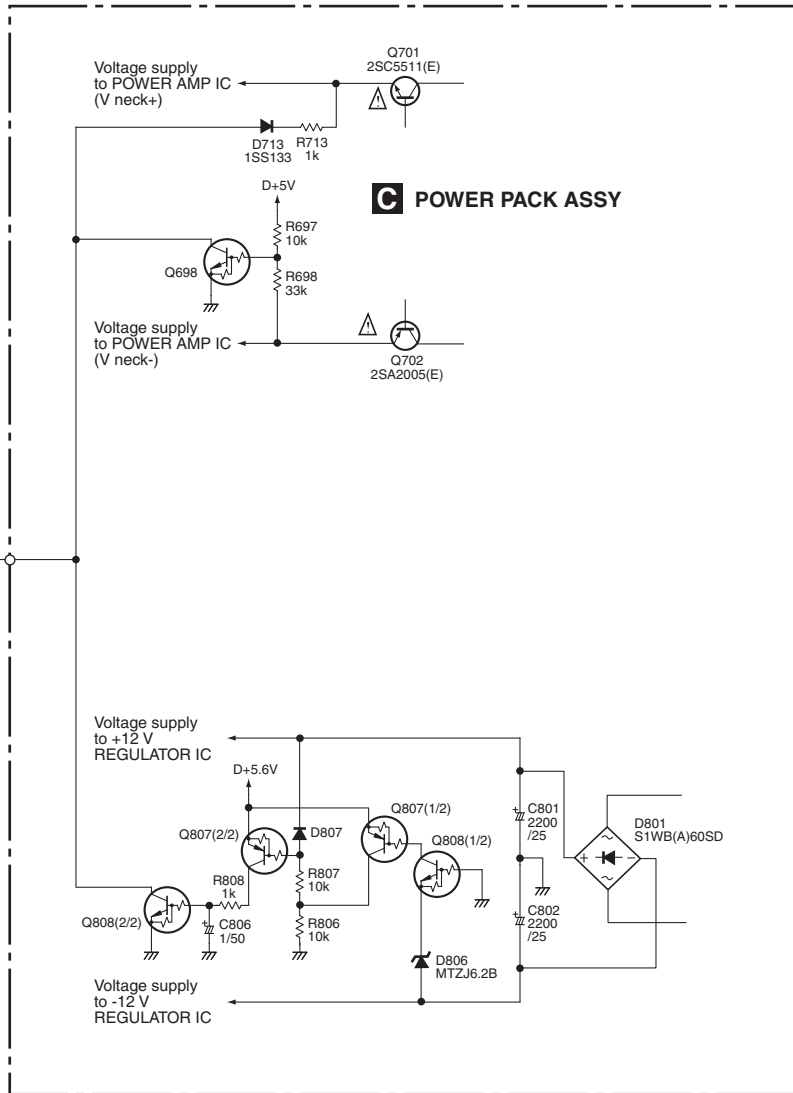
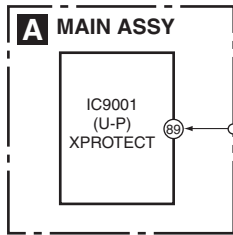
3. Fan Stop Protection Circuit Diagram



4. XPROTECT Detection Circuit Diagram

When below 6 kind of voltage supply become to be short circuit to GND, XPROTECT circuit work and U-P input port voltage change from +5 V to 0 V. The U-P detect this condition as ERROR.

- Voltage supply to POWER AMP IC (V neck+)
- Voltage supply to POWER AMP IC (V neck-)
- Voltage supply to +12 V REGULATOR IC
- Voltage supply to -12 V REGULATOR IC



5.3 AMPLIFIER SYSTEM PROTECTION OPERATION SPECIFICATION

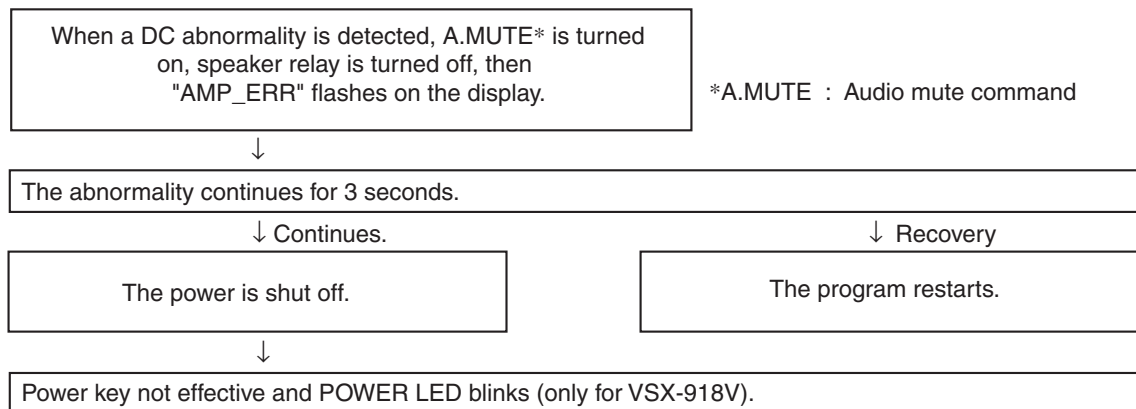
1. DC-abnormality detection

DC detection is only enabled 2 seconds after power-on.

If there is a fault in the power amplifier or a high-level signal lower than 5 Hz is input, the DC_DET port becomes "L".

If the "L" is detected, the microprocessor will perform as following flow chart.

In the case of simultaneous detection with the overload protection circuit, DC-abnormality detection is performed preferentially to overload detection.



*A.MUTE : Audio mute command

However, when the following keys are pushed so that the key input of a line and the service can be carried out, power can be on.

① TESTMODE ON (A55F+A55F)

② When power off, push TUNE+ key + AUTO SURR/DIRECT key continuously 2sec.

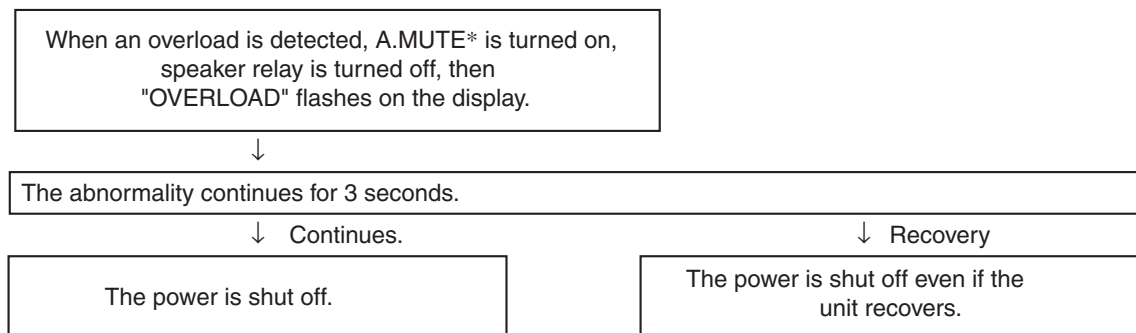
(②: When a DC abnormality is detected and the power is shut off.)

Any other key input from front panel or remote control will not be detected.

2. Overload detection

If the speaker terminals are short-circuited or low-load driving is detected, the OL_DET port becomes "L".

If the "L" is detected, the microprocessor will perform as following flow chart.



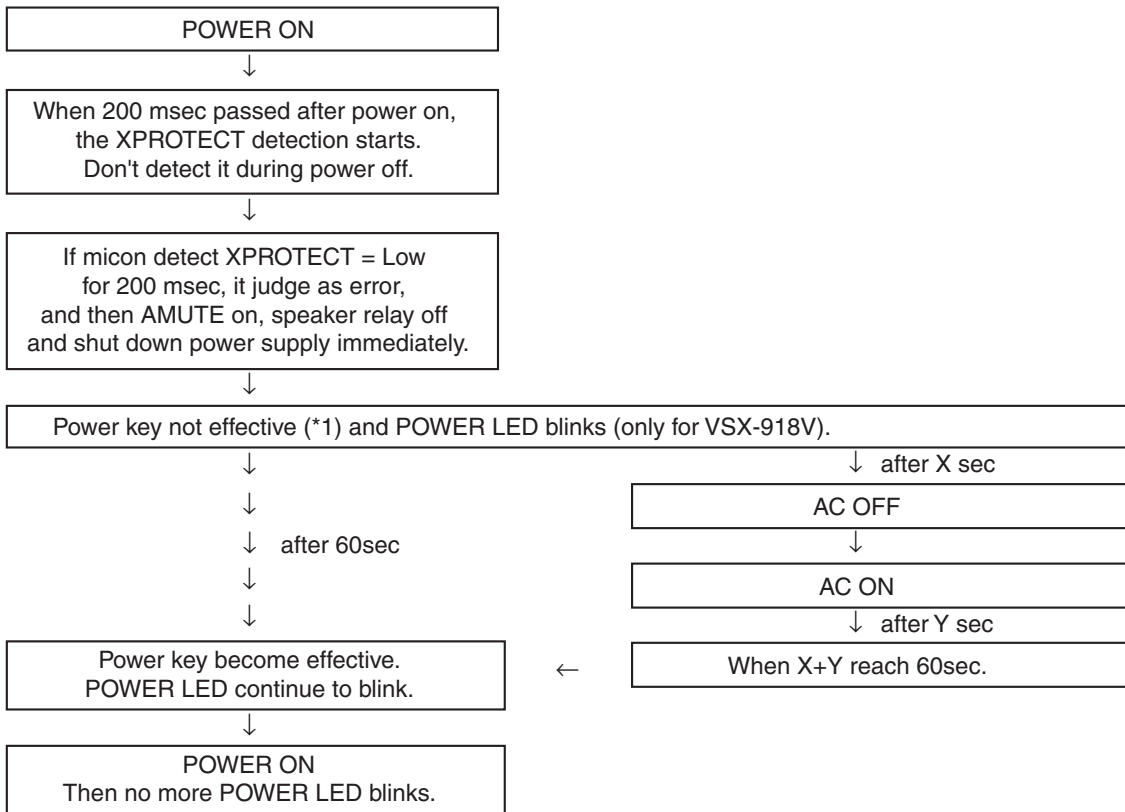
3. XPROTECT detection

XPROTECT is started to be monitored 200msec after power on.

XPROTECT port is checked every 20msec.

If Low level (ERROR) is recognized during consecutive 9 times, micon judge it as XPROTECT ERROR.

It processes more preferentially than DC abnormal detection and overload detection.



(*1) However, when the following keys are pushed so that the key input of a line and the service can be carried out, power can be on.

① TESTMODE ON (A55F+A55F)

② When power off, push TUNE+ key + AUTO SURR/DIRECT key continuously 2sec.

(Effective, only when power-off is carried out by DC detection / XPROTECT detection)

Any other key input from front panel or remote control will not be detected.

4. Fan stop detection operation flow in the XPROTECT detection

If the fan is forcibly stopped or become out of order, the 'XPROTECT' port becomes "L". Then an abnormality of fan is detected.

- Detection routine and recovery is same as "3. XPROTECT detection".

6. SERVICE MODE

There is no information to be shown in this chapter.

7. DISASSEMBLY

Note : Even if the unit shown in the photos and illustrations in this manual may differ from your product, the procedures described here are common.

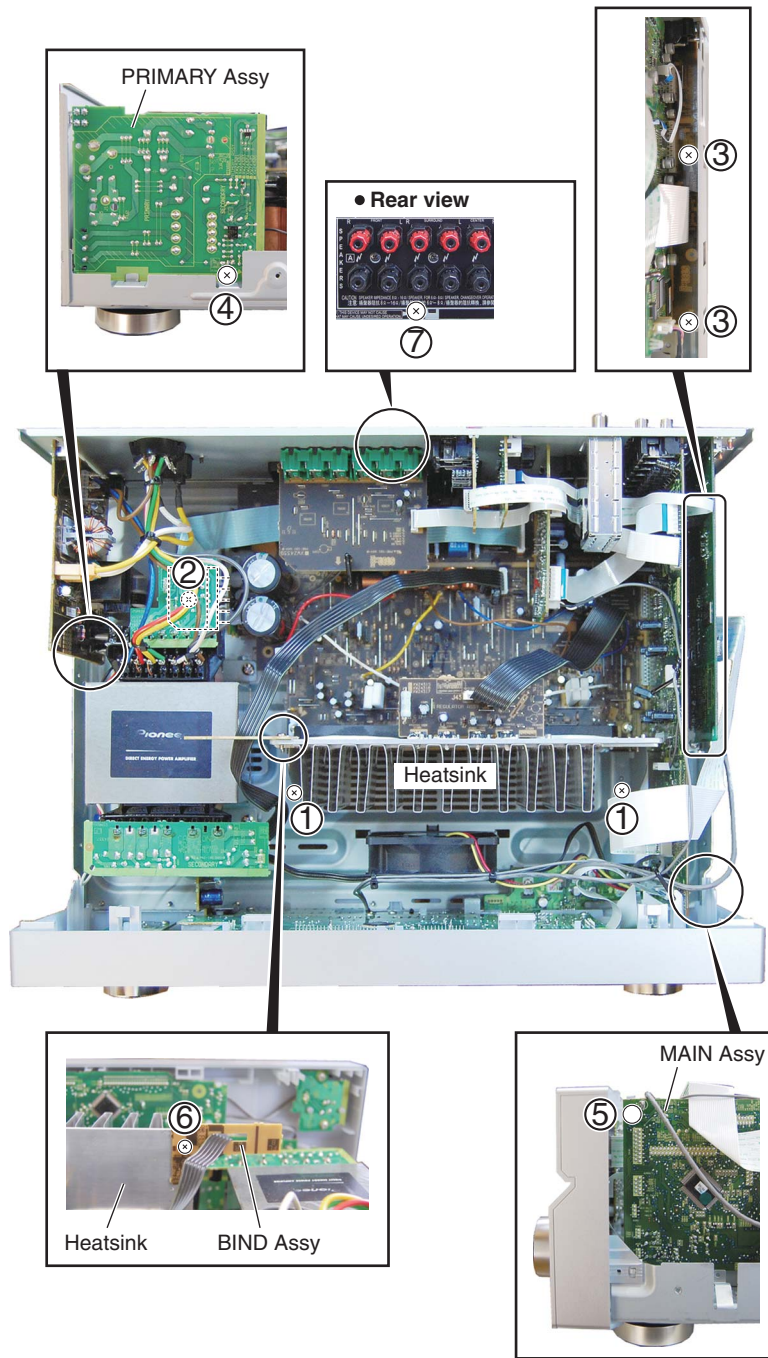
Diagnosis of the Unit

Caution:

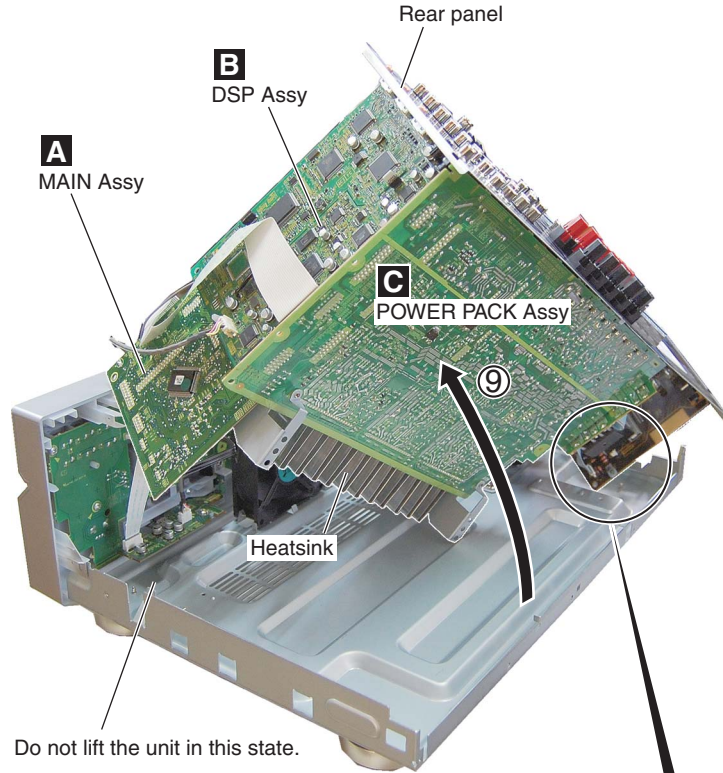
Heatsink section in work becomes hot, and be careful with it.

① Remove the bonnet by removing the six screws.

- ① Remove the two screws.
- ② Remove the one screw.
- ③ Remove the two screws.
- ④ Remove the one screw.
- ⑤ Remove the push rivet.
- ⑥ Remove the BIND Assy by removing the one screw.
- ⑦ Remove the one screw.
- ⑧ Release the binders, as required.

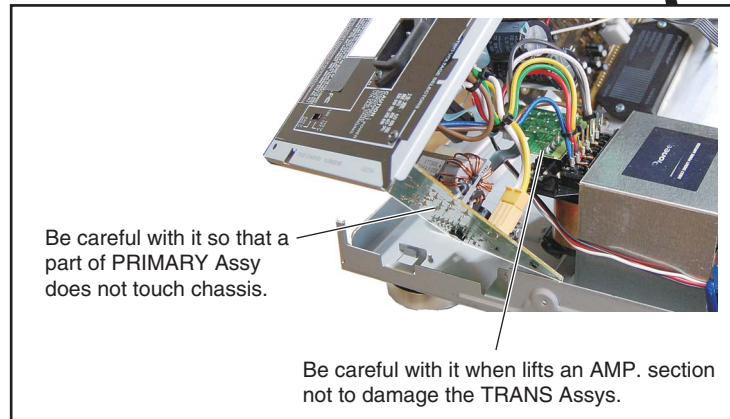


⑨ Arrange the unit as shown in the photo below.



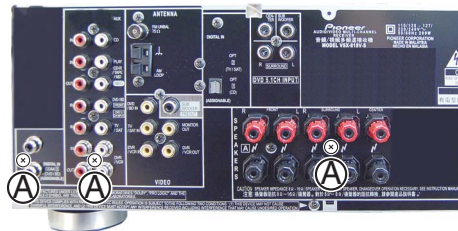
↓

Diagnosis



Caution:

During diagnosis, be sure NOT to remove the three screws marked ⑩ in the above photo. There is the case that a product does not work normally when removes these screws.



Disassembly

Front Panel Section

Caution:

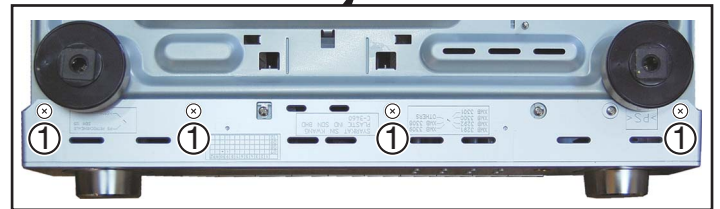
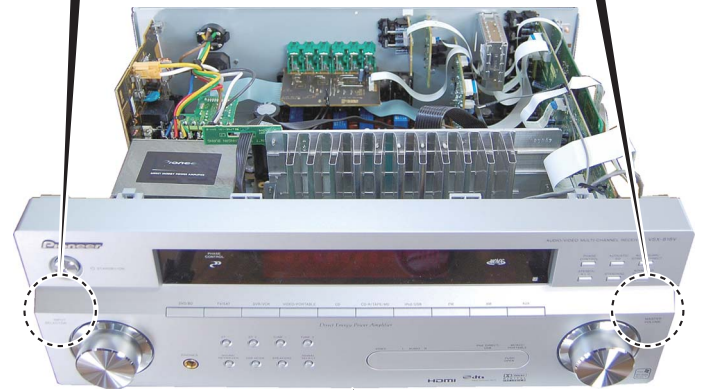
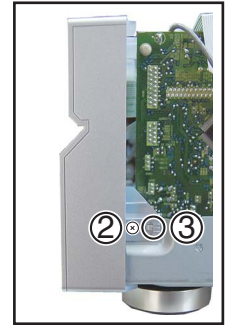
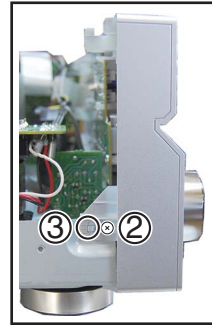
Heatsink section in work becomes hot, and be careful with it.

① Remove the bonnet by removing the six screws.

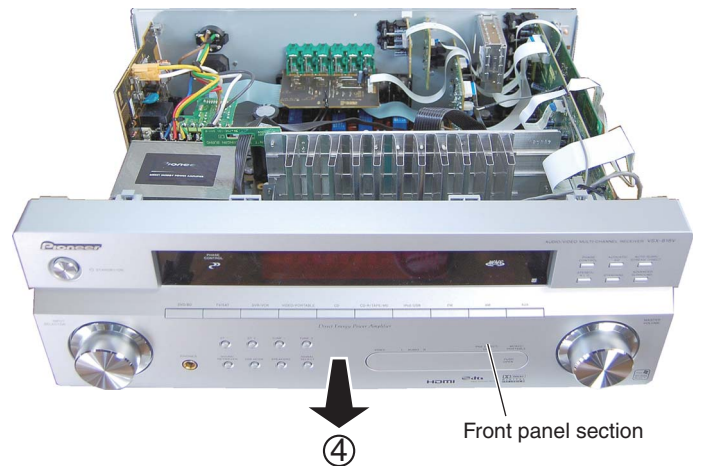
① Remove the four screws.

② Remove the two screws.

③ Unhook the two hooks.



④ Remove the front panel section.



8. EACH SETTING AND ADJUSTMENT

There is no information to be shown in this chapter.

1 2 3 4

9. EXPLODED VIEWS AND PARTS LIST

NOTES:

- Parts marked by "NSP" are generally unavailable because they are not in our Master Spare Parts List.
- The \triangle mark found on some component parts indicates the importance of the safety factor of the part. Therefore, when replacing, be sure to use parts of identical designation.
- Screws adjacent to \blacktriangledown mark on product are used for disassembly.
- For the applying amount of lubricants or glue, follow the instructions in this manual.
(In the case of no amount instructions, apply as you think it appropriate.)

9.1 PACKING SECTION

The diagram illustrates the packing process for the VSX-418-K receiver. It shows the receiver (10) and its various components (1-19) being placed into a cardboard box (13). A 'FRONT' arrow points to the front of the receiver. A dashed box highlights components 6 and 7. A vertical line on the left indicates the assembly order from A to F.

30

VSX-418-K

1 2 3 4

(1) PACKING SECTION PARTS LIST

<u>Mark No.</u>	<u>Description</u>	<u>Part No.</u>	<u>Mark No.</u>	<u>Description</u>	<u>Part No.</u>
1	FM Wire Antenna	ADH7030	11	Left Pad V5	XHA3174
2	AM Loop Antenna	ATB7013	12	Right Pad V5	XHA3175
3	•••••		13	Packing Case	See Contrast table (2)
4	Operating Instructions (English / Italian)	XRE3173	14	Sub Pad	XHA3179
5	Label(WEEE)	ARW7322	NSP 15	DS Tape	XEH3001
6	Remote Control	See Contrast table (2)	NSP 16	Warranty Card	ARY7111
7	Battery Cover	AZN7933	17	Operating Instructions (Dutch / Spanish)	XRC3325
NSP 8	Dry Cell Battery (AA, R6)	XEX3002	18	Operating Instructions (French / German)	XRC3326
NSP 9	Polyethylene Bag (0.03 x 230 x 340)	Z21-038	19	Operating Instructions (Russian)	XRC3332
10	Packing Sheet	AHG7069			

(2) CONTRAST TABLE

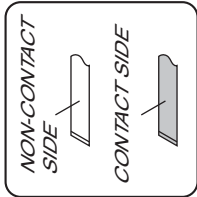
VSX-418-K/MYSXJ5 and VSX-418-S/MYSXJ5 are constructed the same except for the following:

Mark	No.	Symbol and Description	VSX-418-K/ MYSXJ5	VSX-418-S/ MYSXJ5
	6	Remote Control	XXD3169	XXD3168
	13	Packing Case	XHD3781	XHD3782

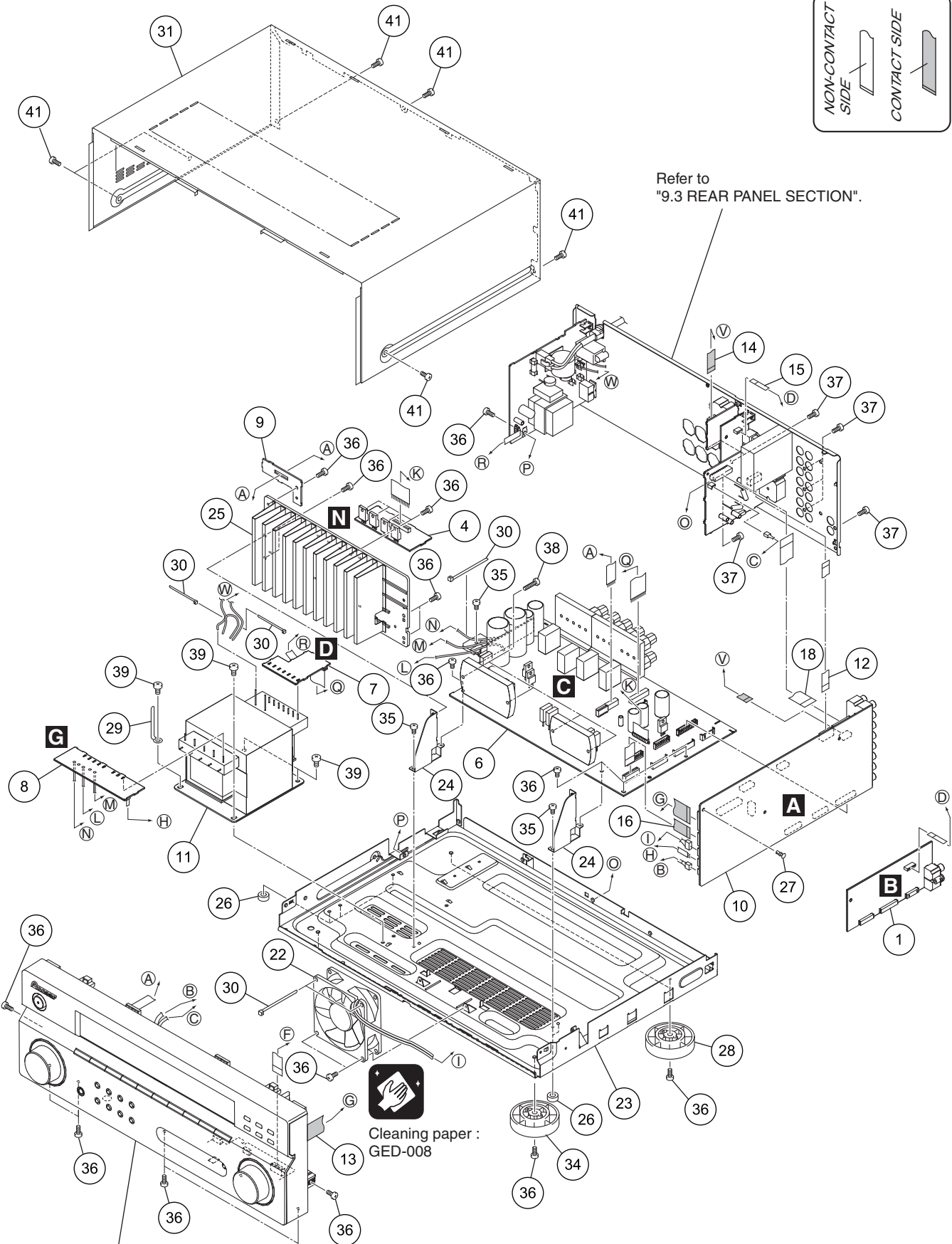
9.2 EXTERIOR SECTION

1 2 3 4

A
B
C
D
E
F



Refer to "9.3 REAR PANEL SECTION".



Refer to "9.4 FRONT PANEL SECTION".

1 2 3 4

(1) EXTERIOR SECTION PARTS LIST

<u>Mark No.</u>	<u>Description</u>	<u>Part No.</u>	<u>Mark No.</u>	<u>Description</u>	<u>Part No.</u>
1	DSP Assy	AWX8980	NSP 26	Spacer	AEB7092
2	•••••		27	Push Rivet	AEC7205
3	•••••		28	Insulator	AMR7198
4	REGULATOR Assy	XWZ4315	29	Cord Clamper	RNH1005
5	•••••		NSP 30	Binder (BK-1)	ZCA-BK1
6	POWER PACK Assy	XWZ4323	31	Bonnet	See Contrast table (2)
7	TRANS 2 Assy	XWZ4334	32	•••••	
8	TRANS 3 Assy	XWZ4337	33	•••••	
9	BIND Assy	XWZ4344	34	Insulator	See Contrast table (2)
10	MAIN Assy	XWK3356	35	Screw	BBZ30P060FCC
⚠ 11	Power Transformer (T1501)	XTS3113	36	Screw	BBZ30P080FNI
12	11P Flexible Cable (J1911)	XDD3189	37	Screw	BBZ30P080FTB
13	17P Flexible Cable (J1905)	XDD3200	38	Screw	BBZ30P140FTC
14	7P Flexible Cable (J1919)	XDD3235	39	Screw	BBZ40P080FNI
15	5P Flexible Cable (J1912)	XDD3248	40	•••••	
16	15P Flexible Cable (J1915)	XDD3251	41	Screw	See Contrast table (2)
17	•••••				
18	13P Flexible Cable (J1907)	XDD3259			
19	•••••				
20	•••••				
21	•••••				
⚠ 22	DC Fan Motor	XXM3012			
NSP 23	Chassis 918	XNA3060			
24	H/S Angle V3	XNG3145			
NSP 25	H/Sink V5	XNH3048			

(2) CONTRAST TABLE

VSX-418-K/MYSXJ5 and VSX-418-S/MYSXJ5 are constructed the same except for the following:

Mark	No.	Symbol and Description	VSX-418-K/ MYSXJ5	VSX-418-S/ MYSXJ5
	31	Bonnet	XZN3196	XZN3197
	34	Insulator	AMR7198	PNW2766
	41	Screw	BBZ30P080FTB	BBZ30P080FNI

9.3 REAR PANEL SECTION

A

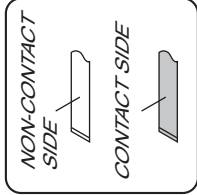
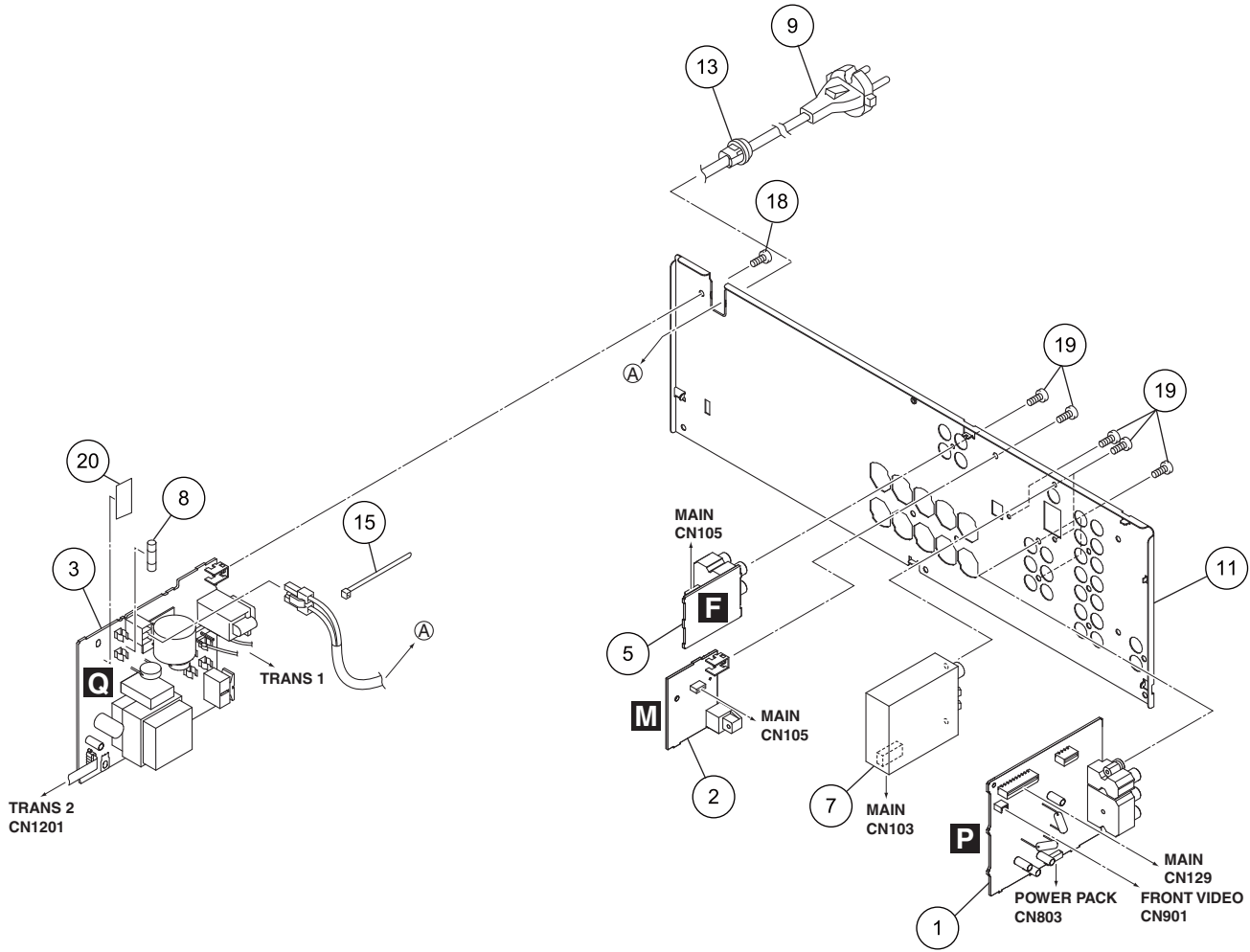
B

C

D

E

F



(1) REAR PANEL SECTION PARTS LIST

<u>Mark No.</u>	<u>Description</u>	<u>Part No.</u>	<u>Mark No.</u>	<u>Description</u>	<u>Part No.</u>
1	VIDEO Assy	XWZ4291	11	R Panel	See Contrast table (2)
2	DIGITAL INPUT Assy	XWZ4298	12	•••••	A
3	PRIMARY Assy	XWZ4302	13	Cord Stopper	CM-22B
4	•••••		14	•••••	
5	5.1CH INPUT Assy	XWZ4341	NSP 15	Binder (BK-1)	ZCA-BK1
6	•••••		16	•••••	
7	FM/AM TUNER Unit	AXX7170	17	•••••	
⚠ 8	Fuse (FU1: T3.15 A)	REK1027	18	Screw	BBZ30P080FNI
⚠ 9	AC Power Cord	VDG1080	19	Screw	BBZ30P080FTB
10	7P Flexible Cable (J1913)	XDD3254	NSP 20	Fuse Card	AAX7493

(2) CONTRAST TABLE

VSX-418-K/MYSXJ5 and VSX-418-S/MYSXJ5 are constructed the same except for the following:

Mark	No.	Symbol and Description	VSX-418-K/ MYSXJ5	VSX-418-S/ MYSXJ5
	11	R Panel	XNC3556	XNC3557

9.4 FRONT PANEL SECTION

A

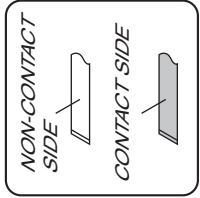
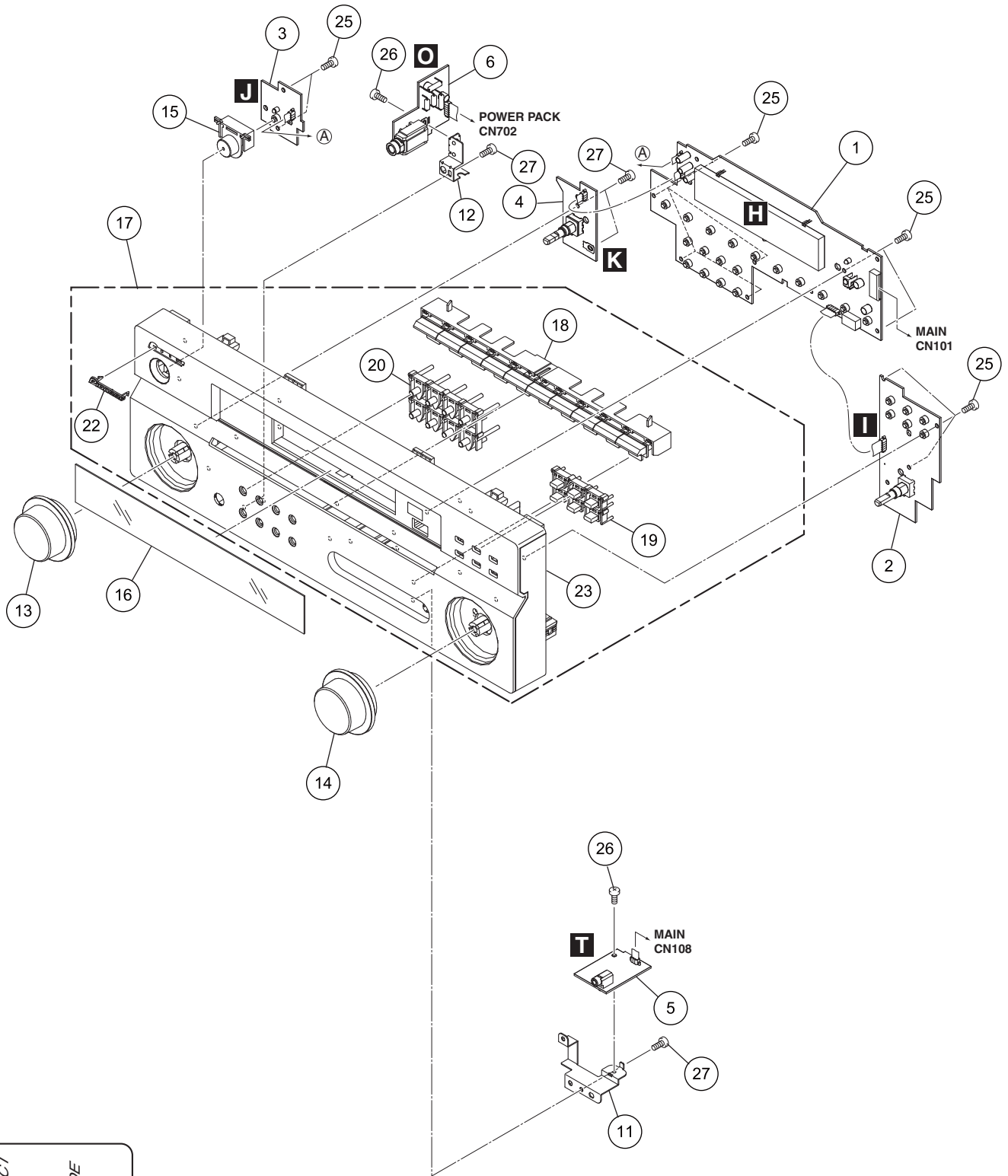
B

C

D

E

F



(1) FRONT PANEL SECTION PARTS LIST

<u>Mark No.</u>	<u>Description</u>	<u>Part No.</u>	<u>Mark No.</u>	<u>Description</u>	<u>Part No.</u>
1	FRONT DISPLAY Assy	XWZ4283	16	D Panel PC	XAK3595
2	ROTARY ENCODER Assy	XWZ4286	NSP 17	F Panel Assy	See Contrast table (2)
3	POWER KEY Assy	XWZ4287	18	FUNC BTN	See Contrast table (2)
4	JOG Assy	XWZ4289	19	SUB BTN	See Contrast table (2)
5	FRONT MINI JACK Assy	XWZ4296	20	TUNER BTN	See Contrast table (2)
6	HEADPHONE Assy	XWZ4321	21	•••••	
7	•••••		22	Pioneer Name Plate	See Contrast table (2)
8	•••••		23	FRT Panel	See Contrast table (2)
9	•••••		24	•••••	
10	•••••		25	Screw	BBZ30P080FTC
11	Earth Plate FR V3	XNG3144	26	Screw	BBZ30P080FNI
NSP 12	HP GND Plate	XNG3178	27	Screw	BPZ30P080FTC
13	VOL Knob V4	See Contrast table (2)			
14	VOL Knob V5	See Contrast table (2)			
15	STANDBY BTN	See Contrast table (2)			

(2) CONTRAST TABLE

VSX-418-K/MYSXJ5 and VSX-418-S/MYSXJ5 are constructed the same except for the following:

Mark	No.	Symbol and Description	VSX-418-K/ MYSXJ5	VSX-418-S/ MYSXJ5
NSP	13	VOL Knob V4	XAB3053	XAB3057
	14	VOL Knob V5	XAB3058	XAB3060
	15	STANDBY BTN	XAD3202	XAD3203
	17	F Panel Assy	XXG3361	XXG3362
	18	FUNC BTN	XAD3257	XAD3258
	19	SUB BTN	XAD3259	XAD3260
	20	TUNER BTN	XAD3261	XAD3262
	22	Pioneer Name Plate	XAM3006	VAM1129
	23	FRT Panel	XMB3310	XMB3311

10. SCHEMATIC DIAGRAM

10.1 MAIN ASSY (1/3)

A

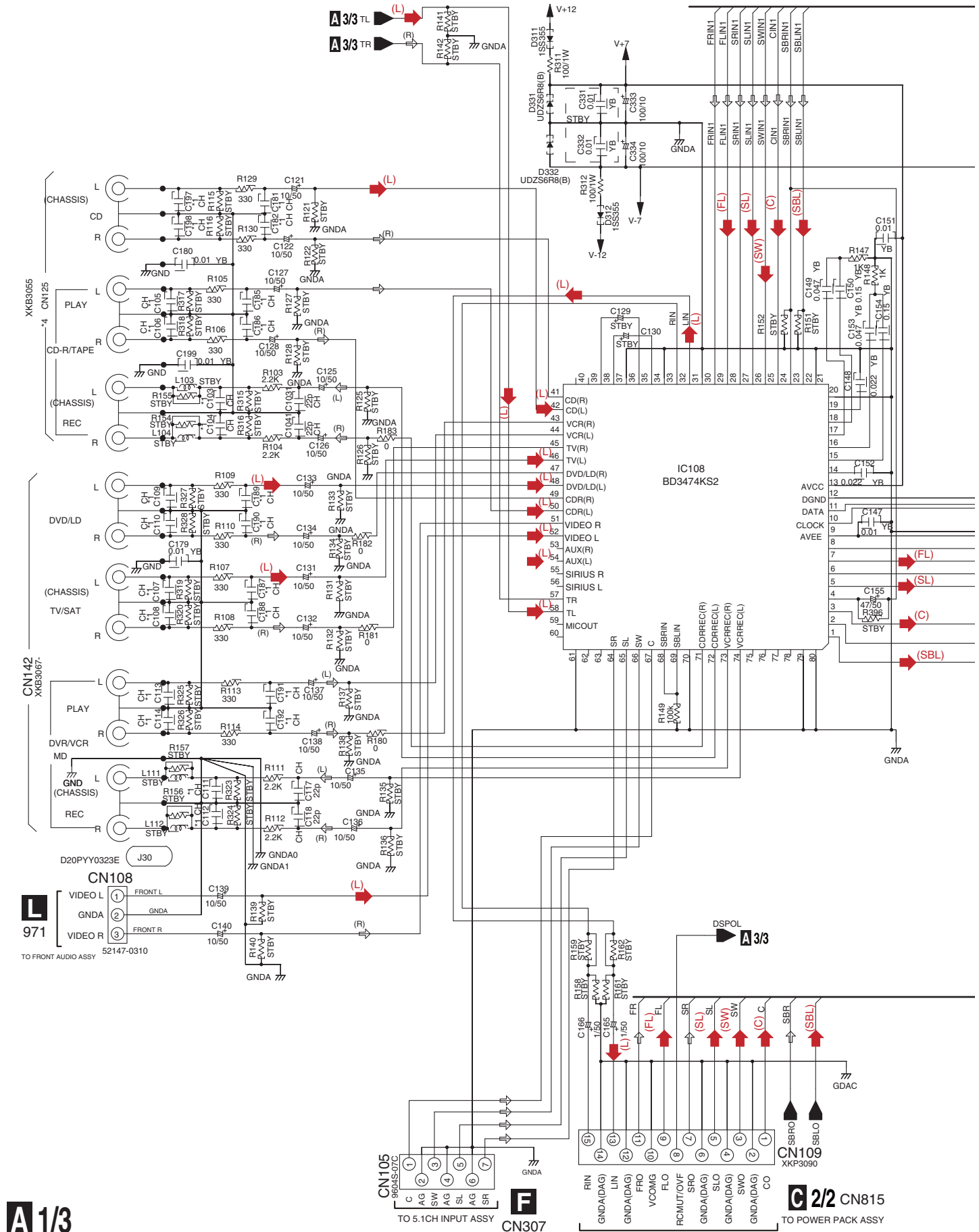
B

C

D

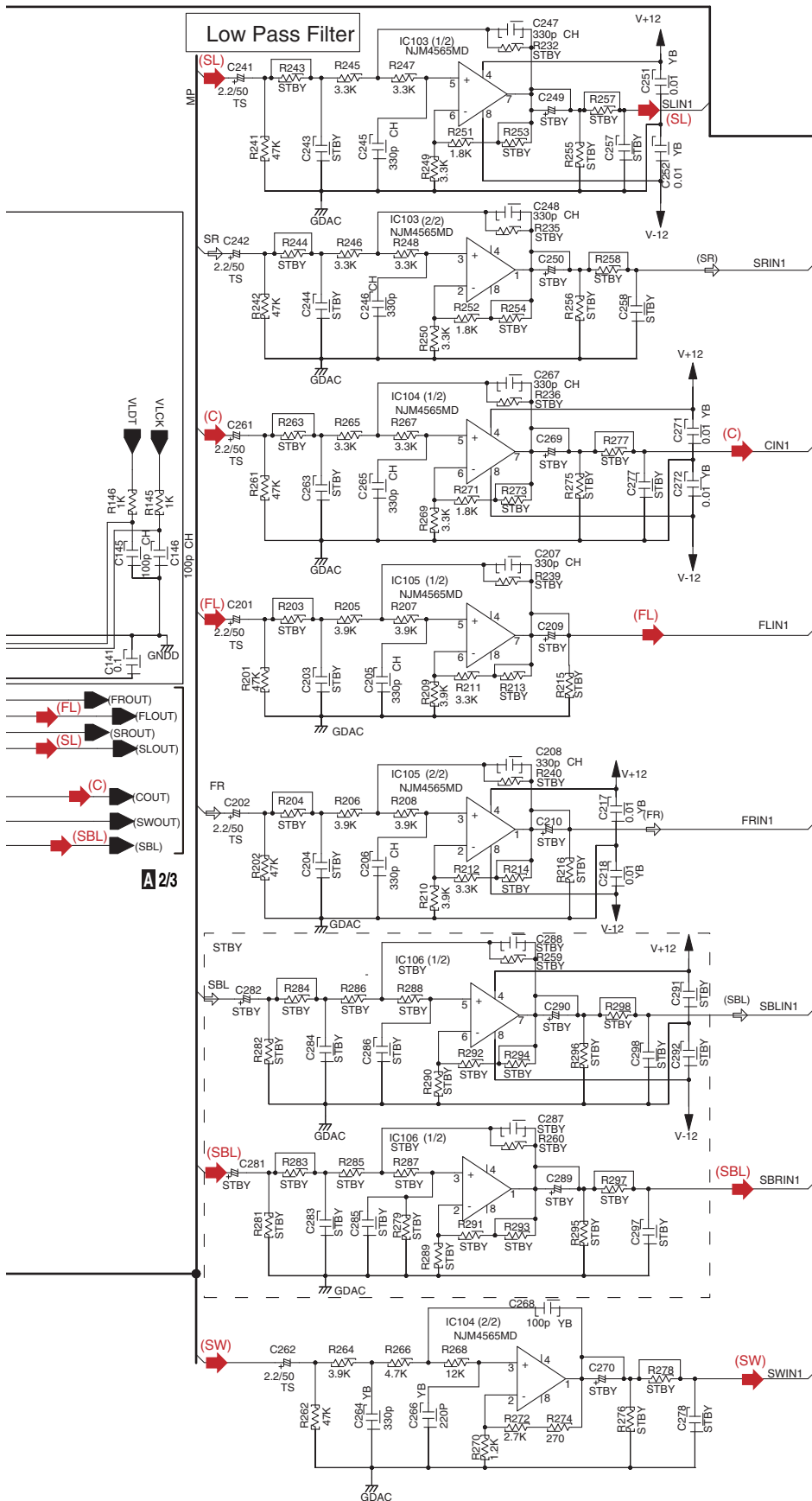
E

F



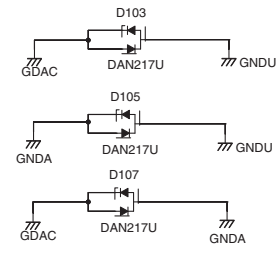
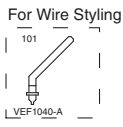
A 1/3

C 2/2 CN815
TO POWER PACK ASSY



A 1/3 MAIN ASSY (XWK3356)

NOTES: NO INDICATED PARTS IS...
 RESISTOR: RS1/16S***J-T, RS1/10S***J-T
 CHEMICAL CAPACITOR: CEAT***M*-T,-TS
 CERAMIC CAPACITOR: CCSRCH***50-T
 CKSRYB***50-T
 (SQ):CKSQ.CCSQ
 () : AUDIO SIGNAL FLOW



*1	100p	*4	VSX-418
			XKB3055

MAIN ASSY(1/3)

- (L) : Audio Signal Route (L ch)
- (M) : Audio Signal Route (Mic ch)
- (FL) : Audio Signal Route (Front L ch)
- (SL) : Audio Signal Route (Surround L ch)
- (C) : Audio Signal Route (Center ch)
- (SBL) : Audio Signal Route (Surround Back L ch)
- (SW) : Audio Signal Route (SubWoofer ch)

10.2 MAIN ASSY (2/3)

1

2

3

4

A

B

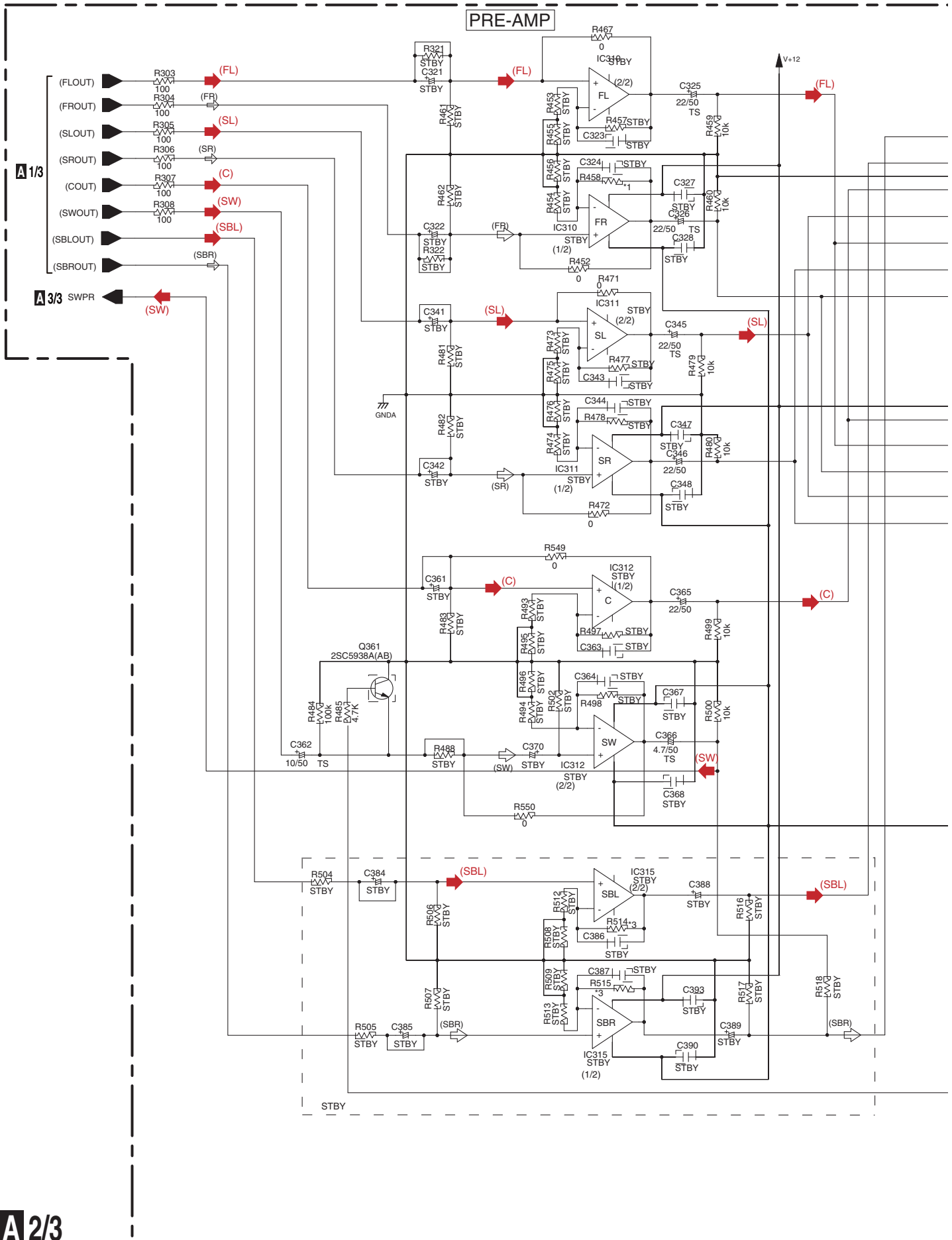
C

D

E

F

PRE-AMP



A 2/3

1

2

3

4

A 2/3 MAIN ASSY (XWK3356)

TO MAIN ASSY
(TO MAIN ASSY 3/3)

A 3/3

CONTROL

(SBL)

(SB)

(C)

(SL)

(FL)

(SR)

(FR)

AMUTE

DCDT

XPROTECT

OLDT

F-DRIVE

A 3/3 6_OHM

C392 1000p YB

GNDU

C320

STBY

GNDCH

- 17 C
- 16 GNDA
- 15 SL
- 14 GNDA
- 13 FL
- 12 GNDA
- 11 SR
- 10 GNDA
- 9 FR
- 8 AMUTE
- 7 F-DRIVE
- 6 DCDT
- 5 XPROTECT
- 4 OLDT
- 3 6 OHM
- 2 NECK
- 1 GNDU

C 1/2
CN704

TO POWER PACK ASSY

CN110

XKP3059

CN252

B3B-EH

FAN+

FAN-

FAN STOP

FAN
TO FAN MOTOR

CN251

52147-0310

GNDU

GNDU

+24V

G 891
TO TRANS3 ASSY

J22

XDX3064

NOTE

1. RESISTORS
Unit: k- Ω , M- Ω or Ω unless otherwise noted.
Rated power: 1/16W unless otherwise noted.
Tolerance: (J) \pm 5% unless otherwise noted.
 2. CAPACITORS
Unit: p-pF or μ F unless otherwise noted.
Ratings: Capacity(μ F)/Voltage(V) unless otherwise noted.
Rated Voltage: 50V expect for electrolytic capacitors.
JA:CE:JA
- ➔ : AUDIO SIGNAL FLOW

MAIN ASSY(2/3)

V+5U

V-12

GNDU

FAN CONTROL

*5	MYSXJ5
D253	UDZS27(B)
D255	-
R280	0
Q255	RT1N241M
R463	-
R464	0

- (FL) : Audio Signal Route (Front L ch)
- (SL) : Audio Signal Route (Surround L ch)
- (C) : Audio Signal Route (Center ch)
- (SBL) : Audio Signal Route (Surround Back L ch)
- (SW) : Audio Signal Route (SubWoofer ch)

VSX-418-K

A 2/3

10.3 MAIN ASSY (3/3)

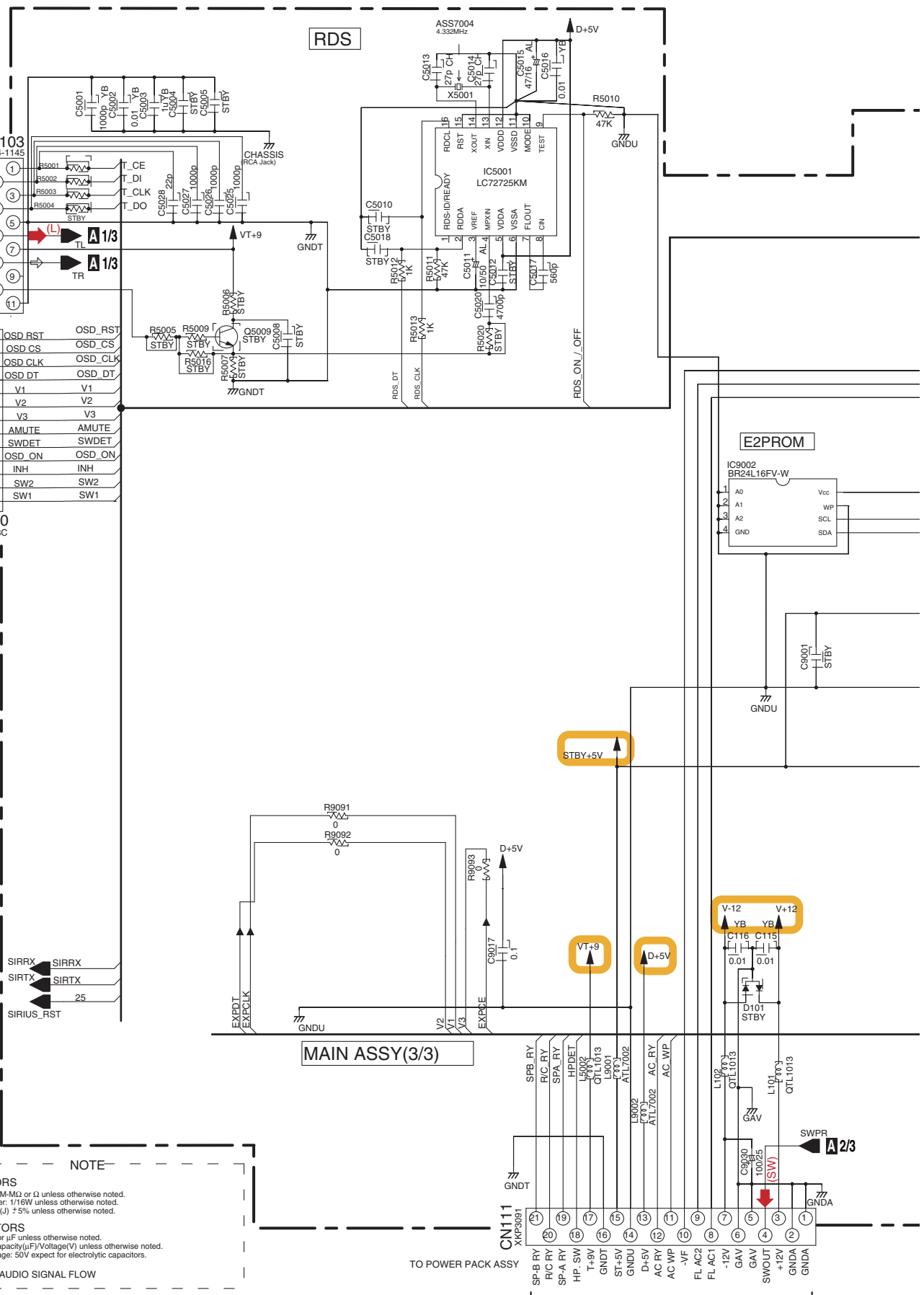
A
B
C
D
E
F

P CN304 TO FM/AM TUNER UNIT

C CN130 TO VIDEO ASSY

A 3/3

C 2/2 CN816



NOTE

1. RESISTORS
Unit: k- Ω , M- Ω or Ω unless otherwise noted.
Rated power: 1/16W unless otherwise noted.
Tolerance: (J) \pm 5% unless otherwise noted.

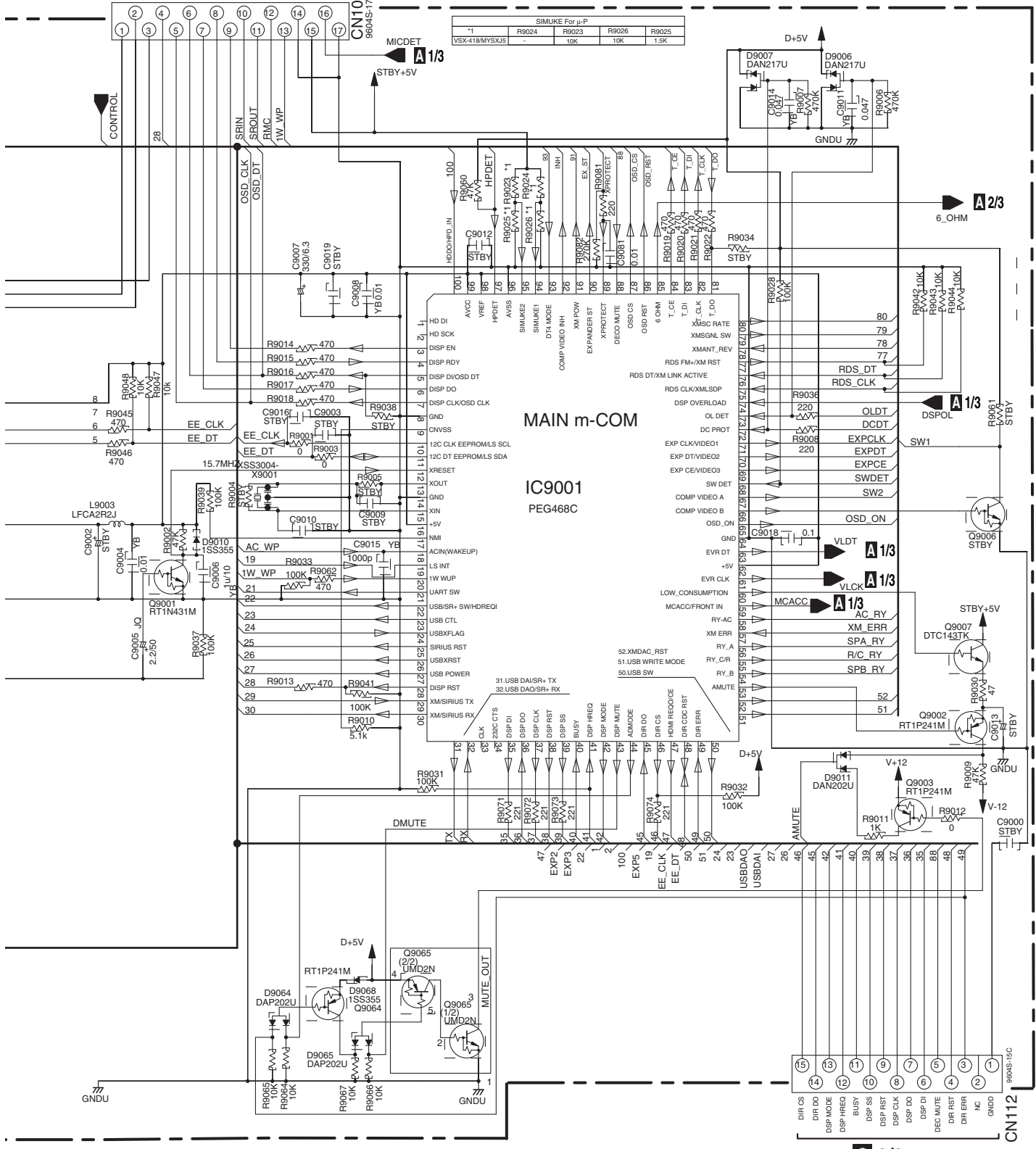
2. CAPACITORS
Unit: p-pF or μ F unless otherwise noted.
Ratings: Capacity(μ F)/Voltage(V) unless otherwise noted.
Rated Voltage: 50V expect for electrolytic capacitors.

➔ : AUDIO SIGNAL FLOW

H CN401

TO FRONT DISPLAY ASSY

A 3/3 MAIN ASSY (XWK3356)



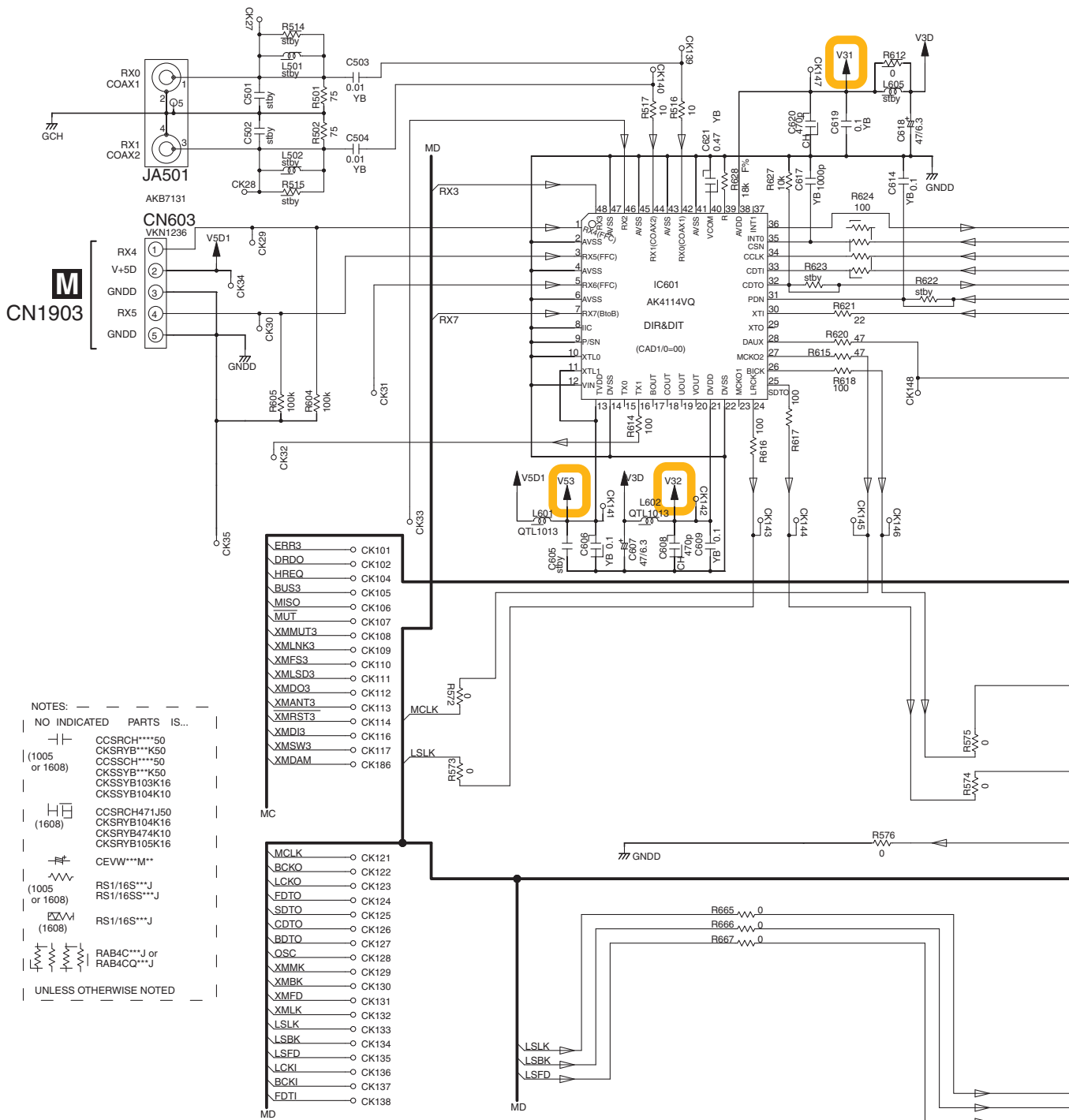
(L) : Audio Signal Route (L ch)
 (SW) : Audio Signal Route (SubWoofer ch)

VSX-418-K

A 3/3

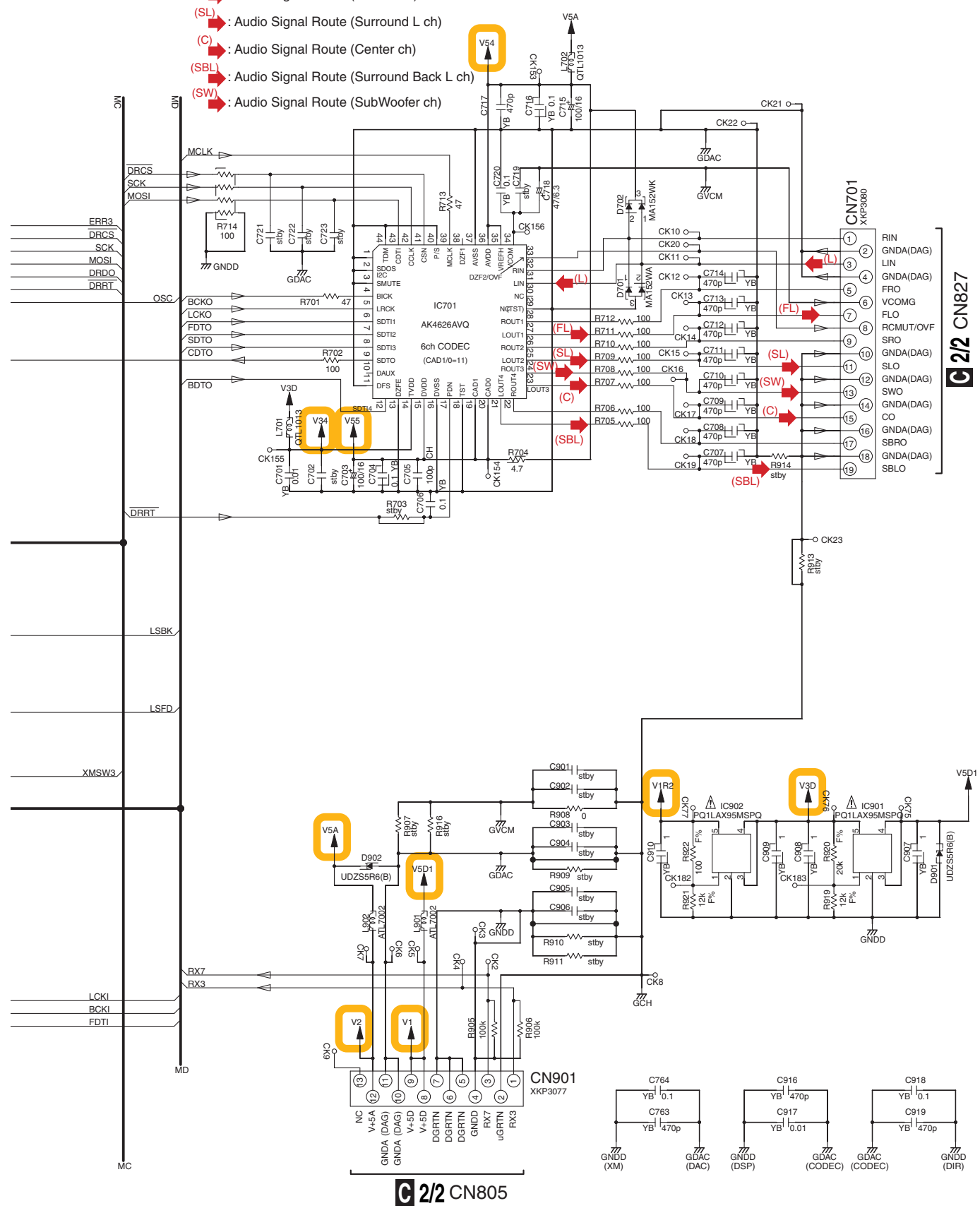
10.4 DSP ASSY (1/2)

B 1/2 DSP ASSY (AWX8980)



- NOTES: ---
- NO INDICATED PARTS IS...
- CCSRCH***50
 - CKSRYB***K50
 - CCSSCH***50
 - CKSSYB***K50
 - CKSSYB103K16
 - CKSSYB104K10
- CCSRCH471J50 (1608)
- CKSRYB104K16
 - CKSRYB474K10
 - CKSRYB105K16
- CEVW***M**
- RS1/16S***J
 - RS1/16SS***J
- RS1/16S***J (1608)
- RAB4C***J or RAB4CQ***J
- UNLESS OTHERWISE NOTED

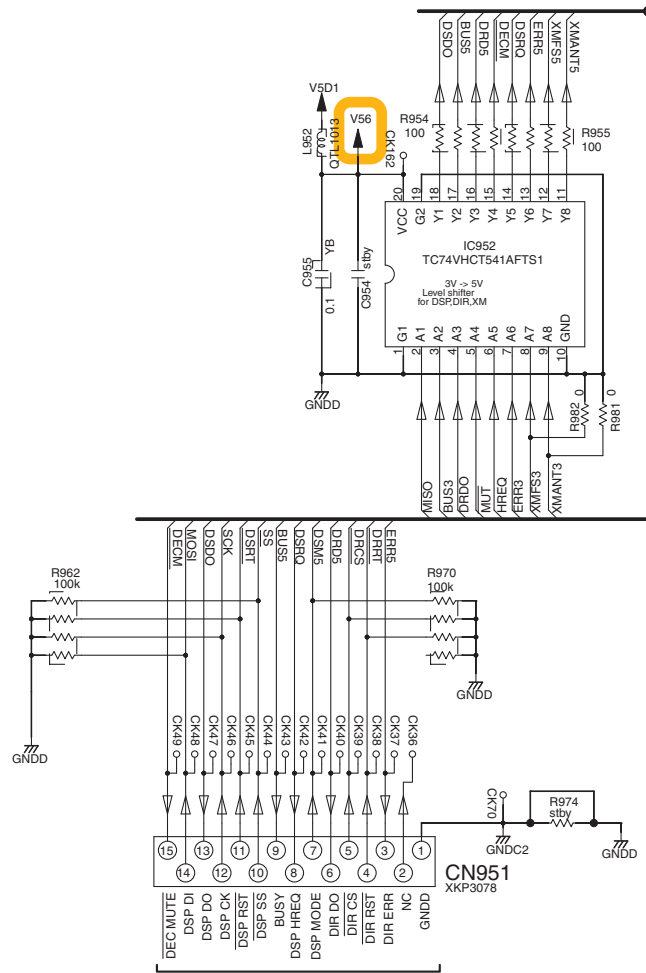
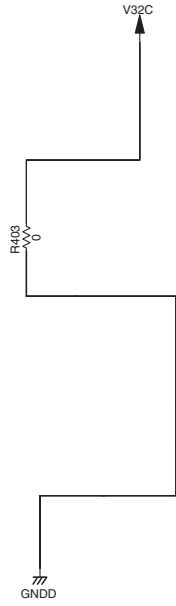
- (L) : Audio Signal Route (L ch)
- (FL) : Audio Signal Route (Front L ch)
- (SL) : Audio Signal Route (Surround L ch)
- (C) : Audio Signal Route (Center ch)
- (SBL) : Audio Signal Route (Surround Back L ch)
- (SW) : Audio Signal Route (SubWoofer ch)



C 2/2 CN805

10.5 DSP ASSY (2/2)

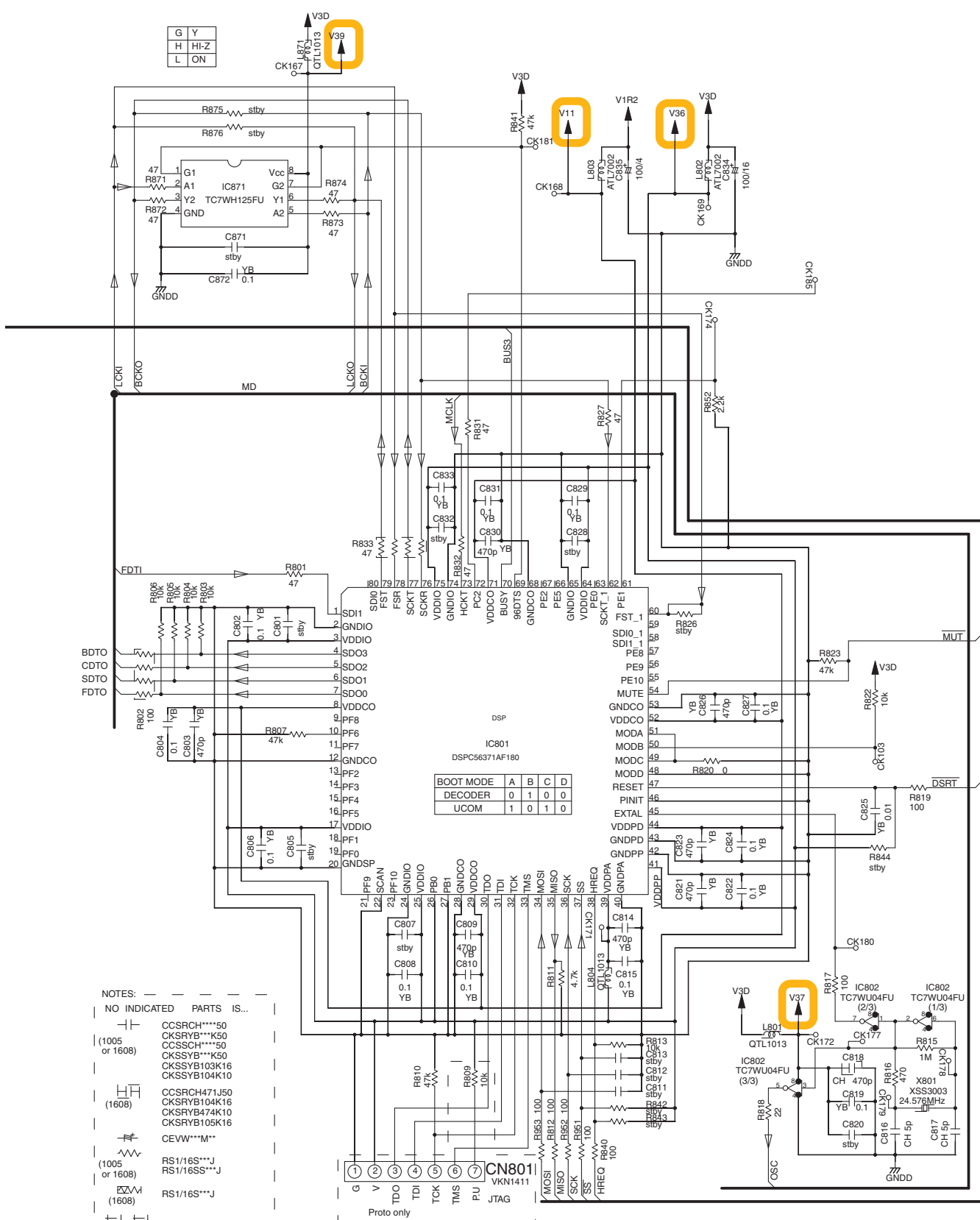
B 2/2 DSP ASSY (AWX8980)



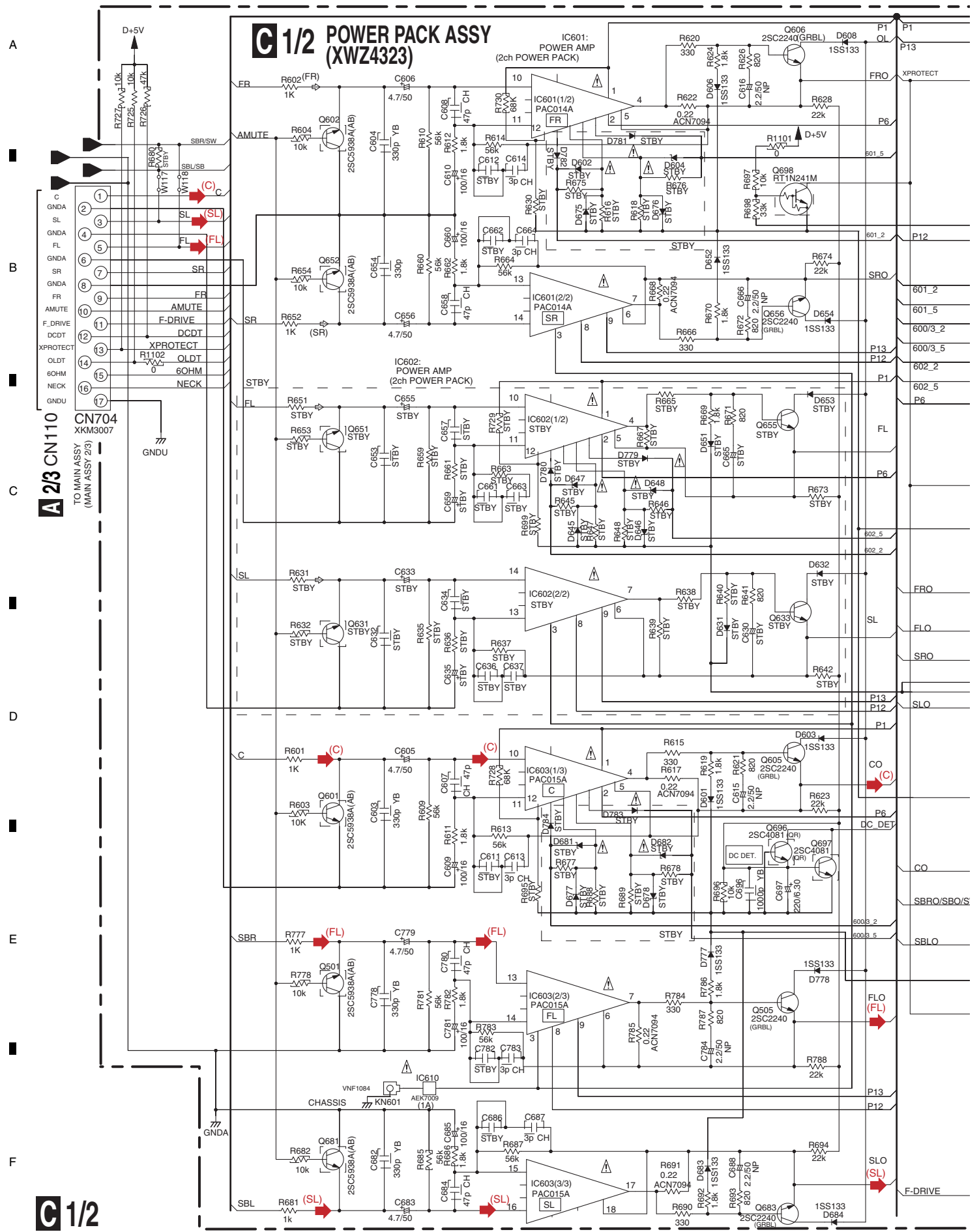
B 2/2

G 2/2 CN807

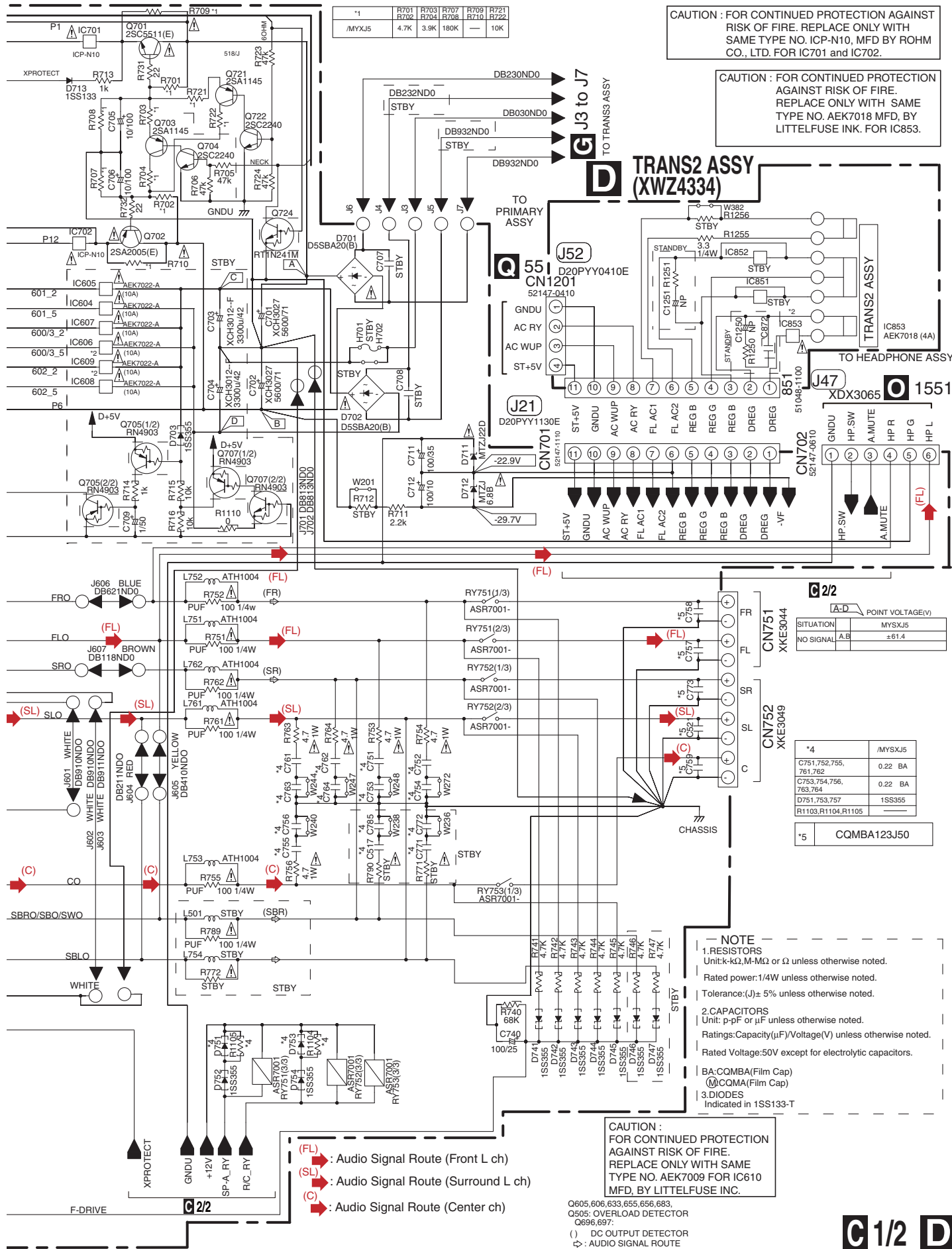
A
B
C
D
E
F



10.6 POWER PACK (1/2) and TRANS2 ASSY



C 1/2

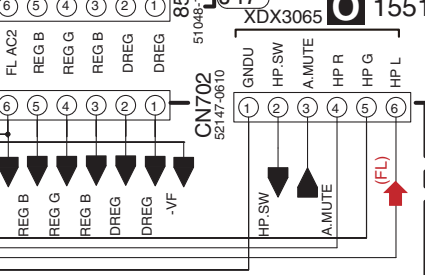
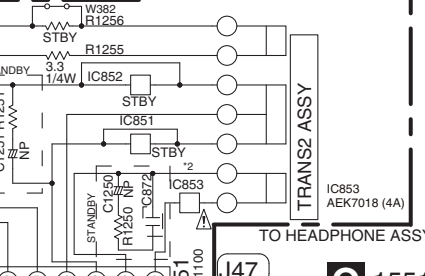


*1	R701 R702	R703 R704	R707 R708	R709 R710	R721 R722
	/MYXJ5	4.7K	3.9K	180K	—
					10K

CAUTION : FOR CONTINUED PROTECTION AGAINST RISK OF FIRE, REPLACE ONLY WITH SAME TYPE NO. ICP-N10, MFD BY ROHM CO., LTD. FOR IC701 and IC702.

CAUTION : FOR CONTINUED PROTECTION AGAINST RISK OF FIRE, REPLACE ONLY WITH SAME TYPE NO. AEK7018 MFD, BY LITTELFUSE INK. FOR IC853.

D TRANS2 ASSY (XWZ4334)



A-D POINT VOLTAGE(V)	
SITUATION	MYXJ5
NO SIGNAL	A,B ±61.4

*4	/MYXJ5
C751,752,755,761,762	0.22 BA
C753,754,756,763,764	0.22 BA
D751,753,757	1SS355
R1103,R1104,R1105	

*5 CQMB A123J50

- NOTE**
- RESISTORS
Unit:k- Ω ,M- Ω or Ω unless otherwise noted.
Rated power:1/4W unless otherwise noted.
Tolerance:(J) \pm 5% unless otherwise noted.
 - CAPACITORS
Unit: p-pF or μ F unless otherwise noted.
Ratings:Capacity(μ F)/Voltage(V) unless otherwise noted.
Rated Voltage:50V except for electrolytic capacitors.
 - DIODES
Indicated in 1SS133-T

CAUTION : FOR CONTINUED PROTECTION AGAINST RISK OF FIRE, REPLACE ONLY WITH SAME TYPE NO. AEK7009 FOR IC610 MFD, BY LITTELFUSE INC.

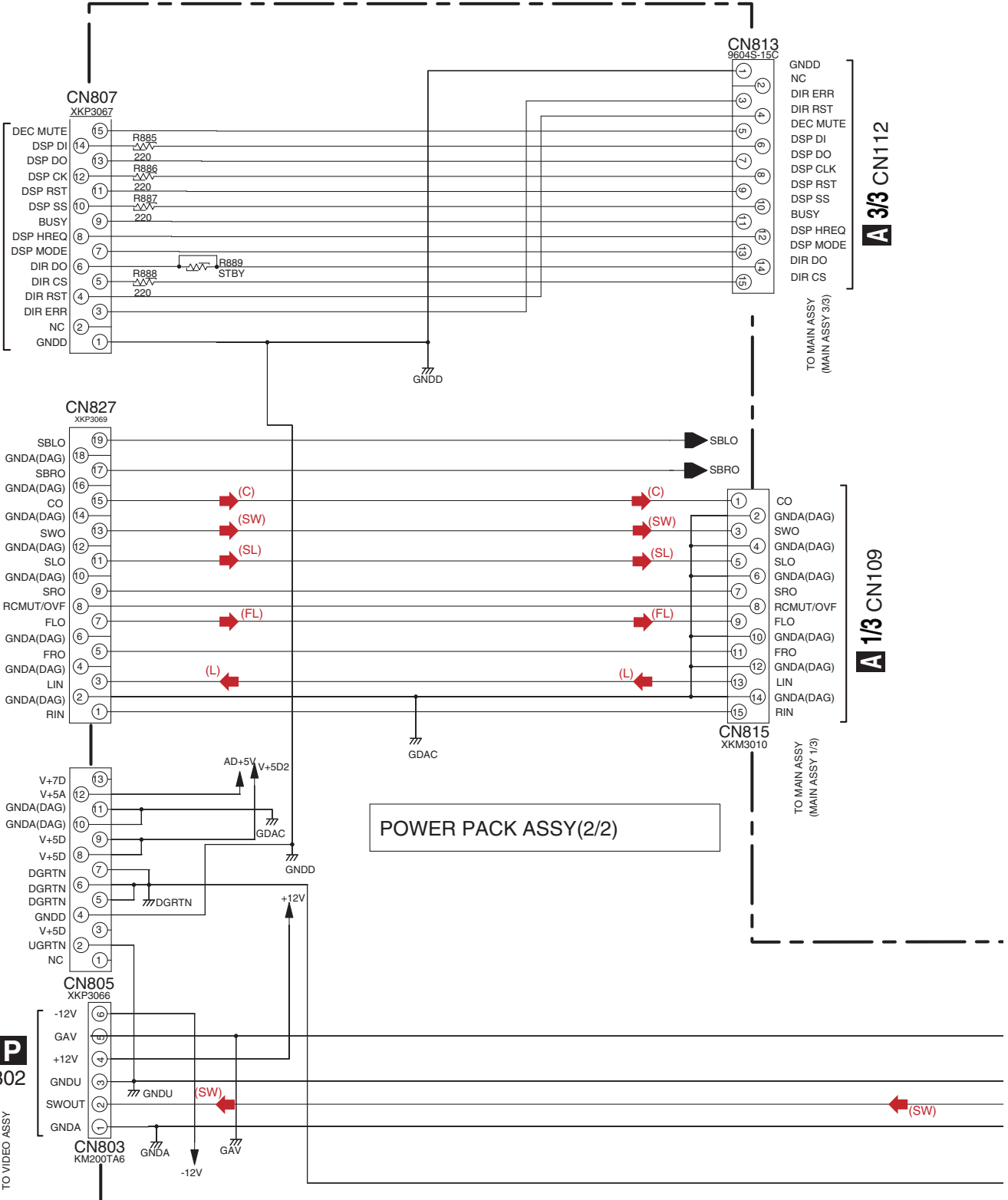
- (FL) : Audio Signal Route (Front L ch)
- (SL) : Audio Signal Route (Surround L ch)
- (C) : Audio Signal Route (Center ch)

Q605,606,633,655,656,683,
Q505: OVERLOAD DETECTOR
Q696,697:
() DC OUTPUT DETECTOR
◇ : AUDIO SIGNAL ROUTE

10.7 POWER PACK ASSY (2/2)

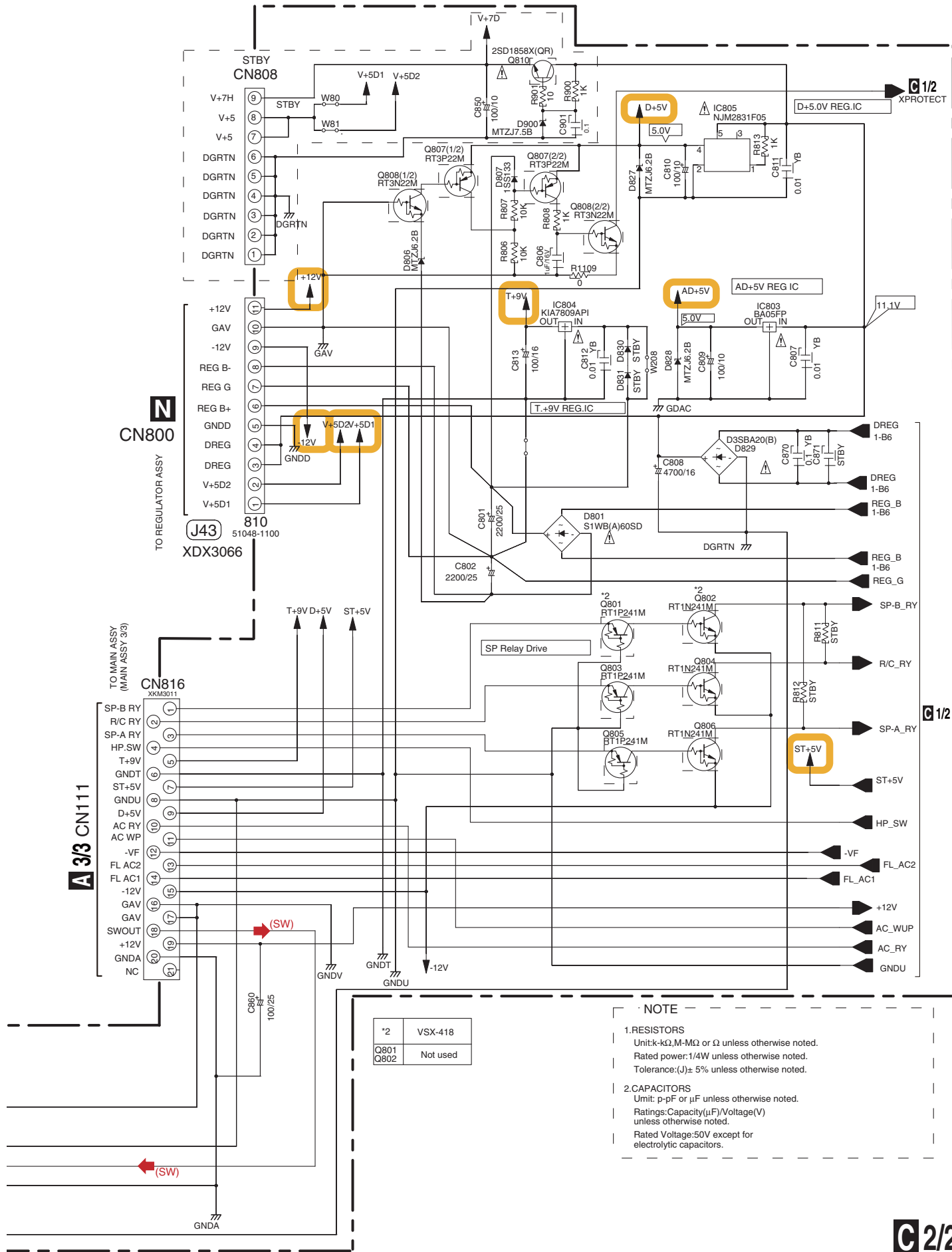
- (L) : Audio Signal Route (L ch)
- (FL) : Audio Signal Route (Front L ch)
- (SL) : Audio Signal Route (Surround L ch)
- (C) : Audio Signal Route (Center ch)
- (SW) : Audio Signal Route (SubWoofer ch)

C 2/2 POWER PACK ASSY (XWZ4323)



POWER PACK ASSY(2/2)

C 2/2

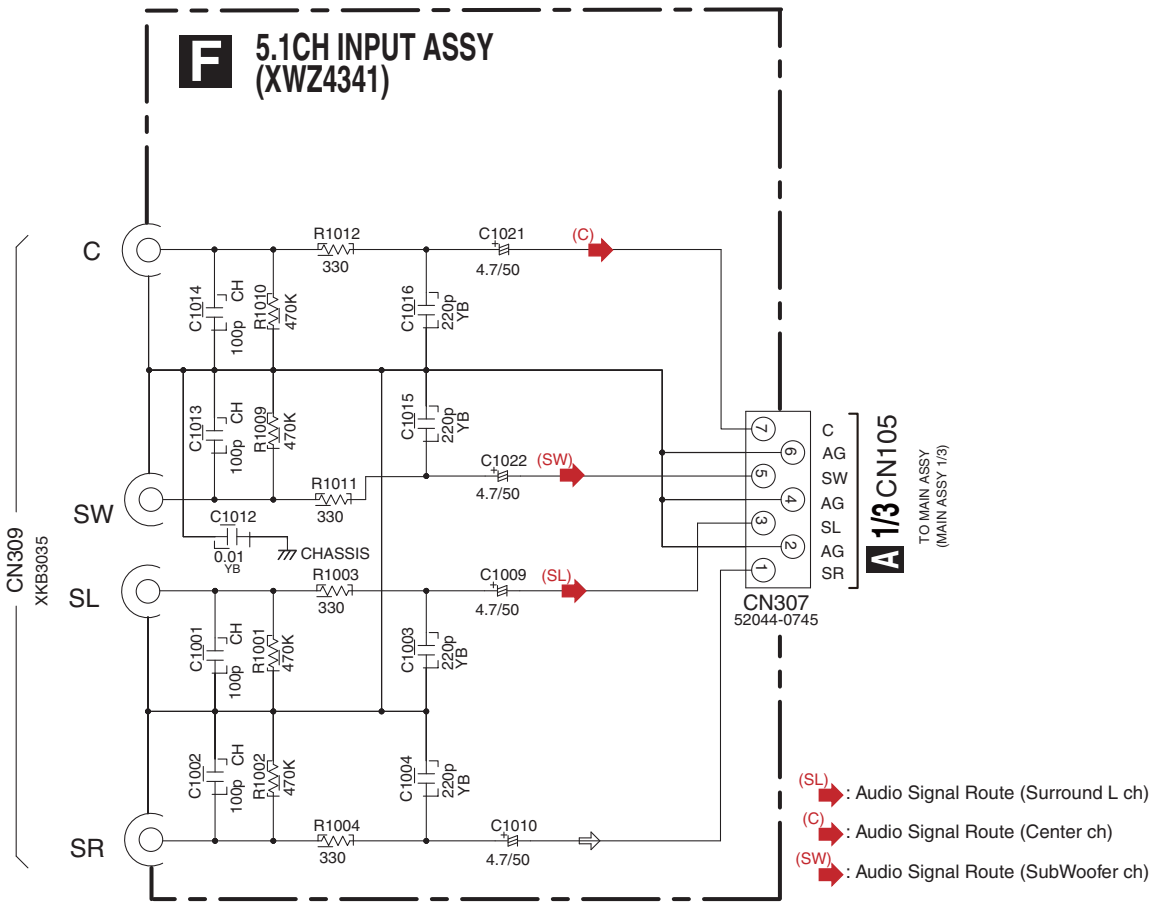


*2	VSX-418
Q801	Not used
Q802	Not used

NOTE

- RESISTORS**
Unit:k- Ω ,M- Ω or Ω unless otherwise noted.
Rated power:1/4W unless otherwise noted.
Tolerance:(J) \pm 5% unless otherwise noted.
- CAPACITORS**
Unit: p-pF or μ F unless otherwise noted.
Ratings:Capacity(μ F)/Voltage(V) unless otherwise noted.
Rated Voltage:50V except for electrolytic capacitors.

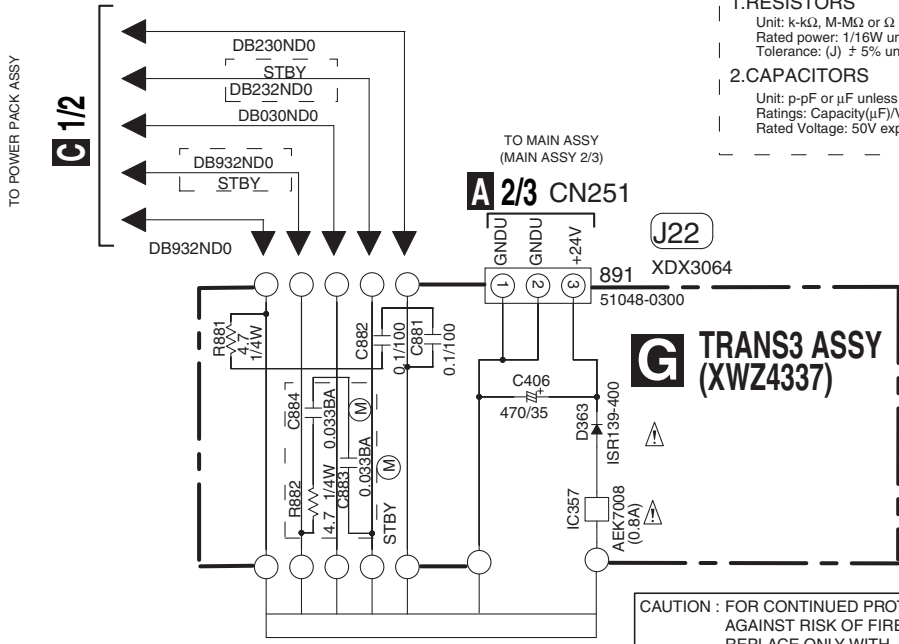
10.8 5.1CH INPUT and TRANS3 ASSYS



NOTE

1. RESISTORS
 Unit: k- Ω , M- Ω or Ω unless otherwise noted.
 Rated power: 1/16W unless otherwise noted.
 Tolerance: (J) \pm 5% unless otherwise noted.

2. CAPACITORS
 Unit: p-pF or μ F unless otherwise noted.
 Ratings: Capacity(μ F)/Voltage(V) unless otherwise noted.
 Rated Voltage: 50V expect for electrolytic capacitors.



CAUTION : FOR CONTINUED PROTECTION AGAINST RISK OF FIRE. REPLACE ONLY WITH SAME TYPE NO. AEK7008 MFD, BY LITTELFUSE INK. FOR IC357.

F G

F G



5



6



7



8



A



B



C



D



E



F



5



6

VSX-418-K



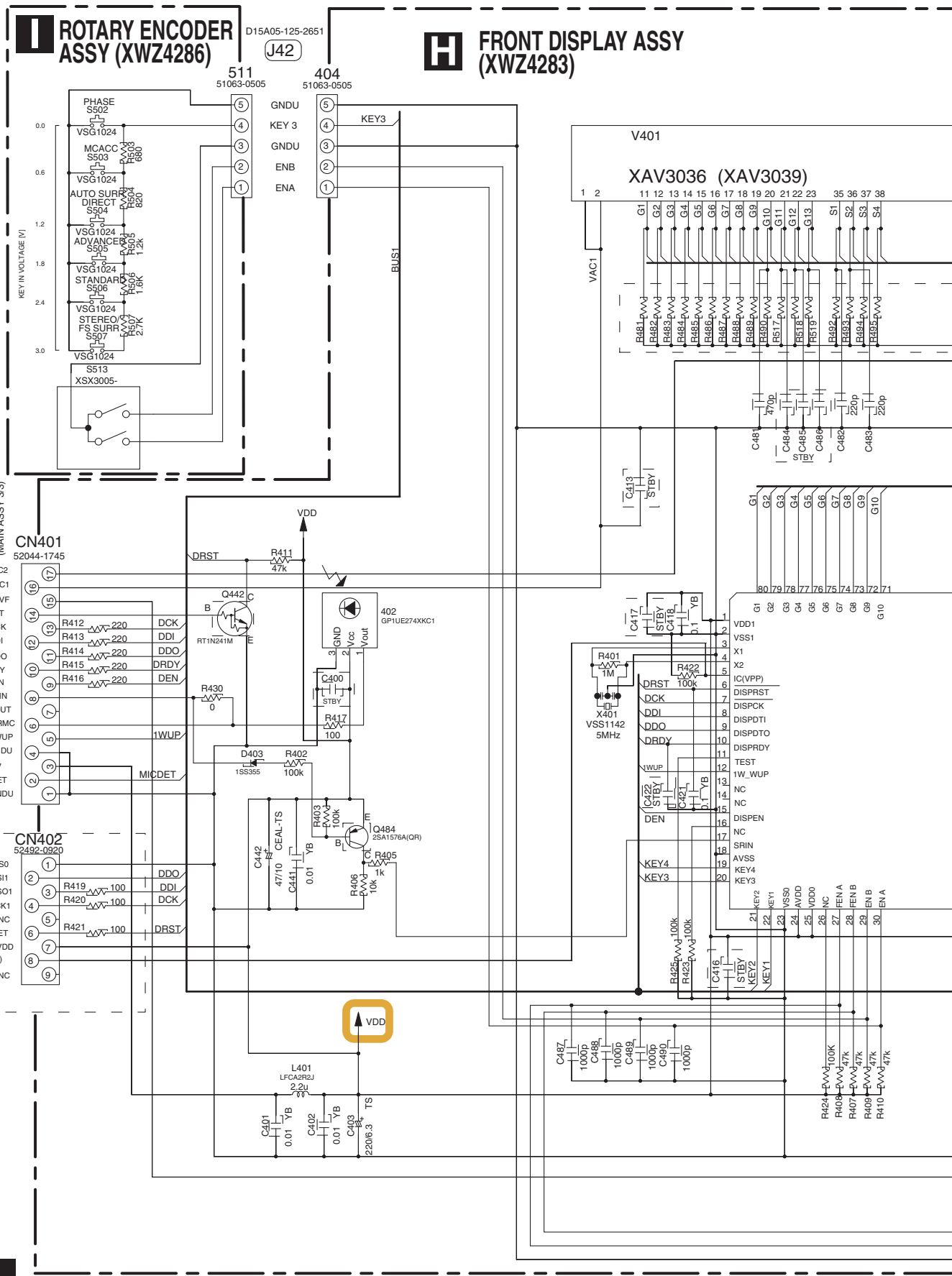
7



8



10.9 FRONT DISPLAY, ROTARY ENCODER, POWER KEY and JOG ASSYS



NOTE

1.RESISTORS

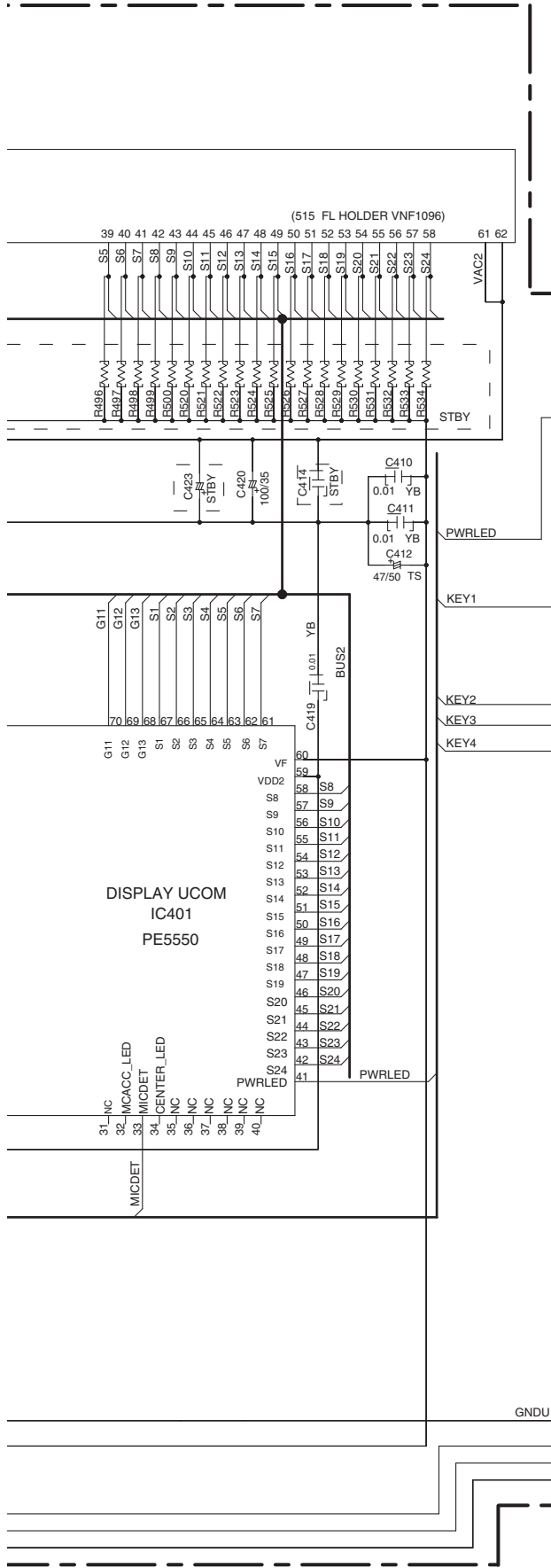
Unit: k-kΩ, M-MΩ or Ω unless otherwise noted.
Rated power: 1/16W unless otherwise noted.
Tolerance: (J) ± 5% unless otherwise noted.

2.CAPACITORS

Unit: p-pF or μF unless otherwise noted.
Ratings: Capacity(μF)/Voltage(V) unless otherwise noted.
Rated Voltage: 50V expect for electrolytic capacitors.

3.TACT SWITCHES

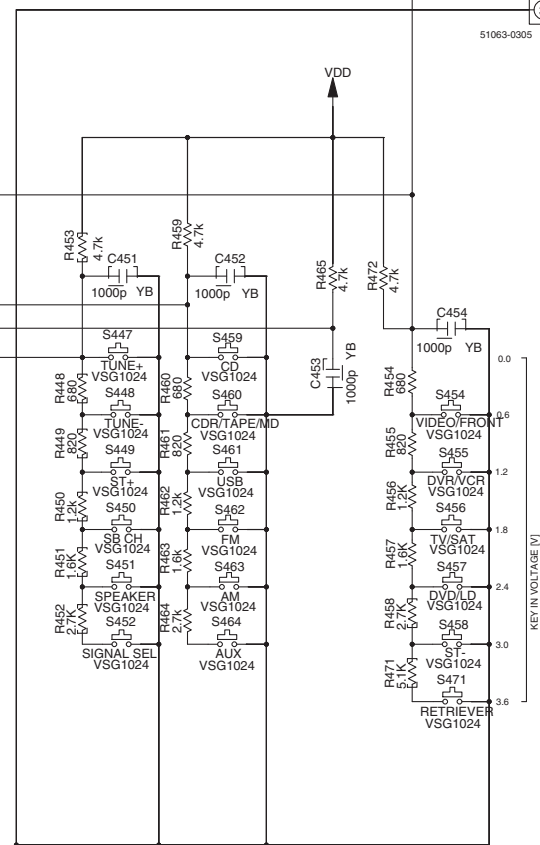
Indicated in VSG1024



J POWER KEY ASSY (XWZ4287)

J41
D15A03-100-2651

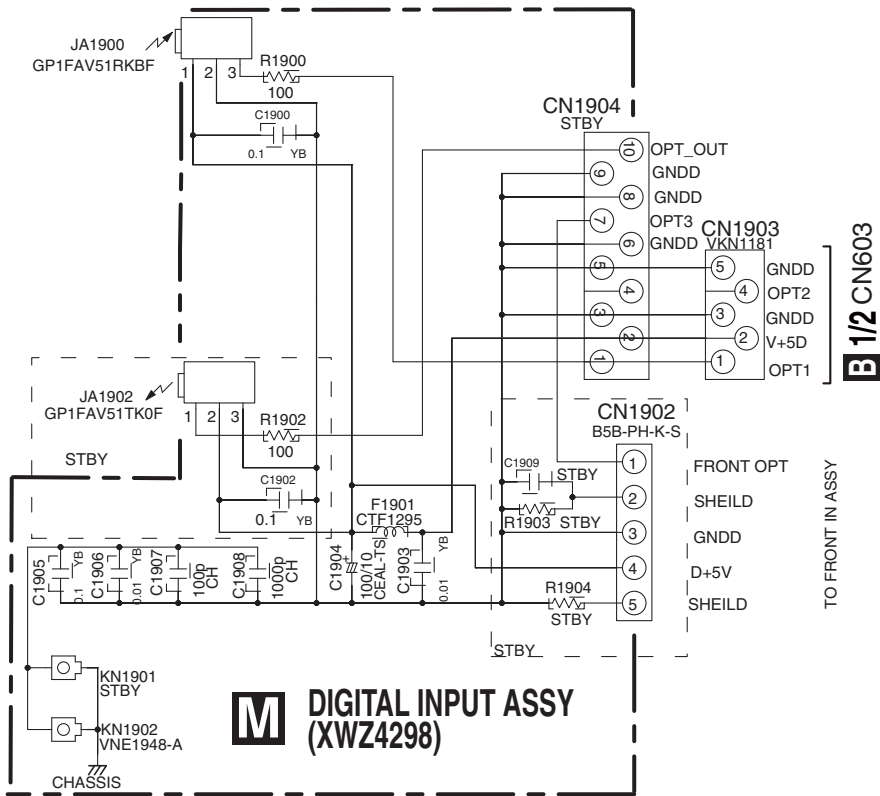
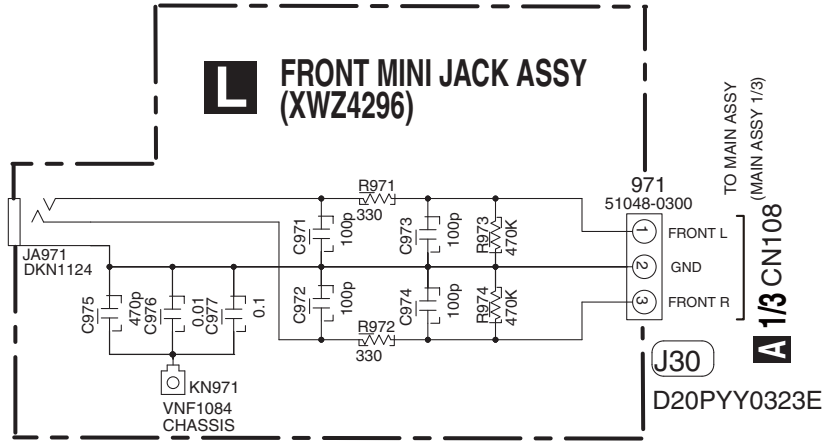
*1	VSX-418
D501	No use
R501	No use



K JOG ASSY (XWZ4289)

J44
D15A03-100-2651

10.10 FRONT MINI JACK, DIGITAL INPUT, REGULATOR and HEAD PHONE ASSYS



NOTE

1.RESISTORS

Unit: k-k Ω , M-M Ω or Ω unless otherwise noted.
 Rated power: 1/16W unless otherwise noted.
 Tolerance: (J) \pm 5% unless otherwise noted.

2.CAPACITORS

Unit: p-pF or μ F unless otherwise noted.
 Ratings: Capacity(μ F)/Voltage(V) unless otherwise noted.
 Rated Voltage: 50V expect for electrolytic capacitors.



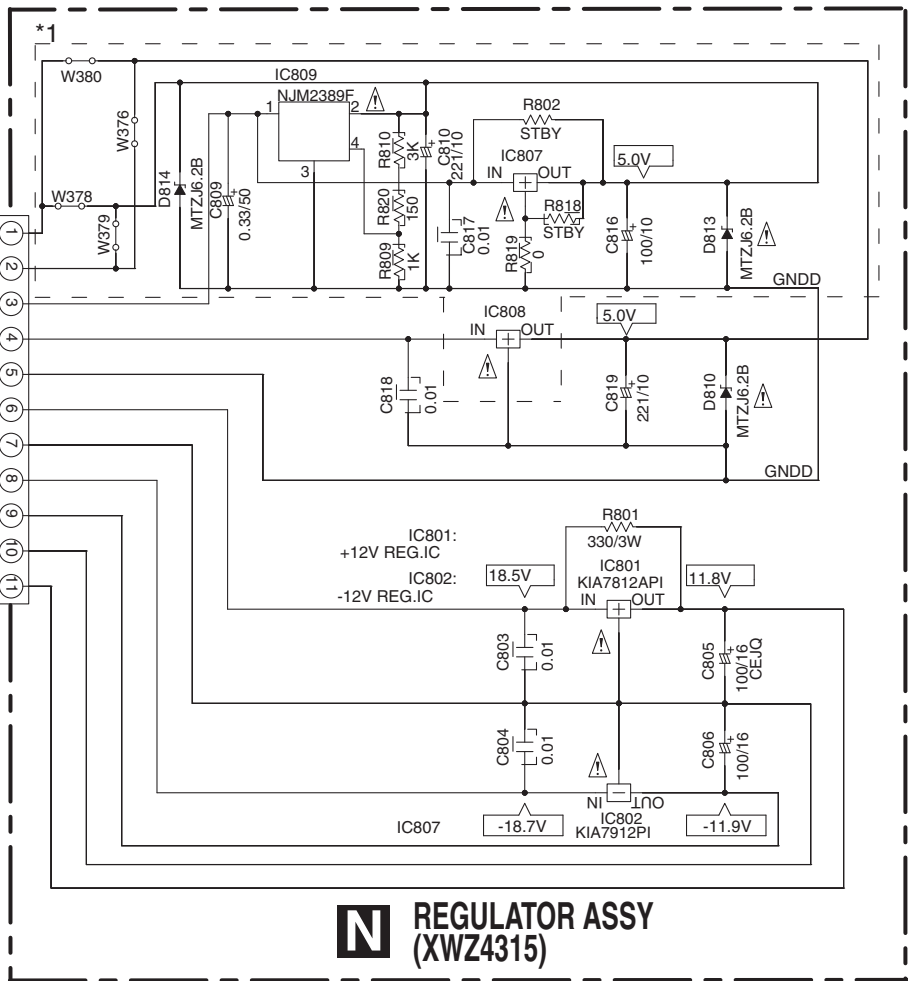
TO POWER PACK ASSY

C 2/2 810

*1	VSX-418
IC809	-
C809	-
C810	-
R809	-
R810	-
R820	-
D814	-
IC807	-
R819	-
C817	-
C816	-
D813	-
IC808	KIA7805API
W376	O
W379	-
W380	-
W378	-

J43
XDX3066

- 52147-1110 CN800
- V+5D1
- V+5D2
- DREG INPUT
- DREG INPUT
- GNDD
- REG B+
- REG G
- REG B-
- 12V
- GAV
- +12V



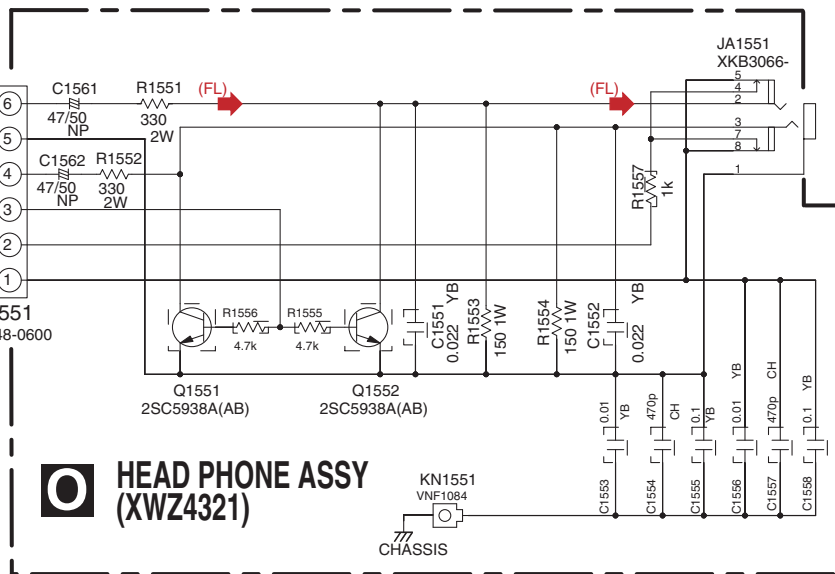
N REGULATOR ASSY (XWZ4315)

TO POWER PACK ASSY

C 1/2 CN702

1551
51048-0600

J47
XDX3065



O HEAD PHONE ASSY (XWZ4321)

(FL) → Audio Signal Route (Front L ch)

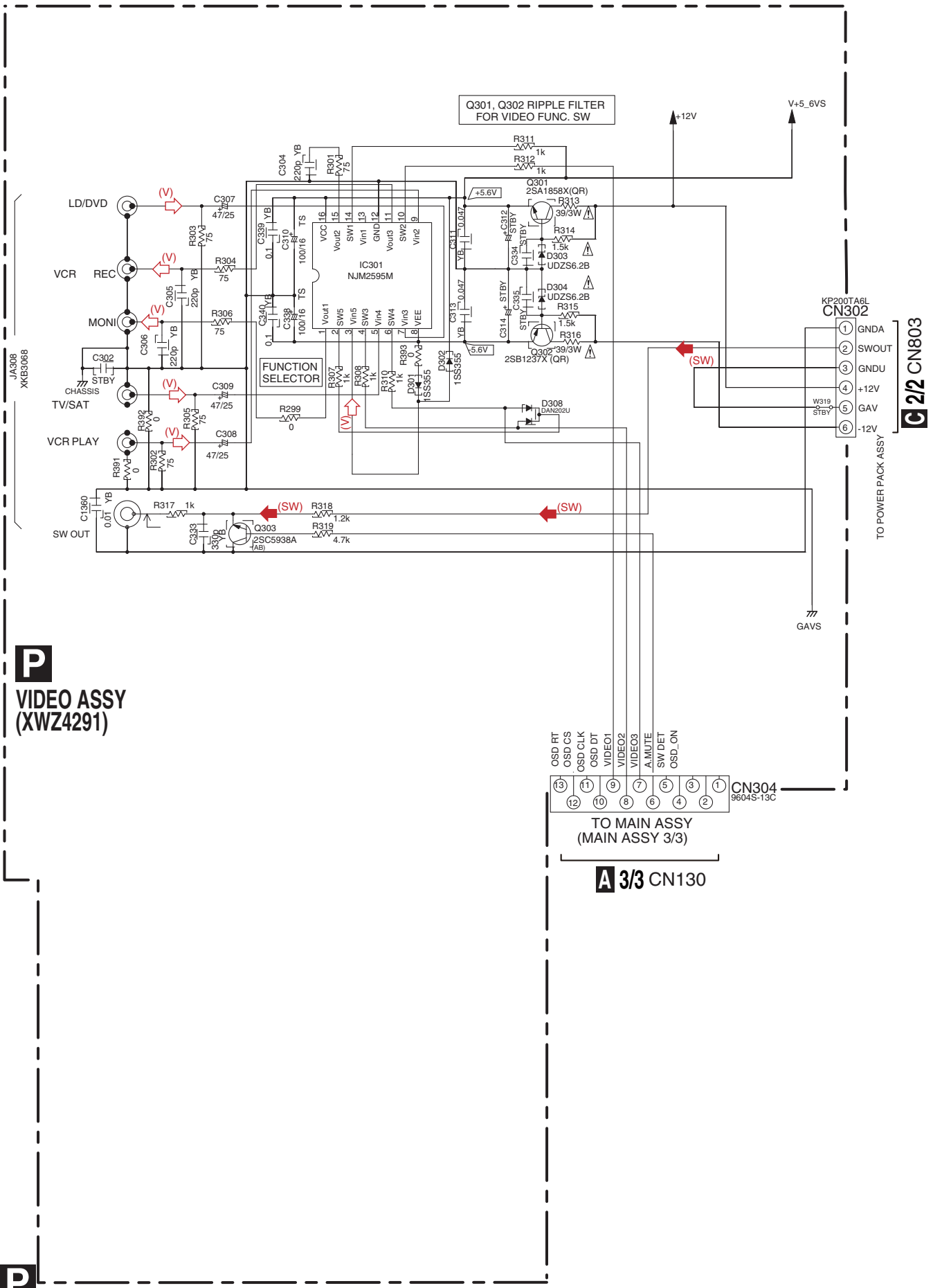
VSX-418-K

N O

10.11 VIDEO and PRIMARY ASSYS

1 2 3 4

A
B
C
D
E
F



P
VIDEO ASSY
(XWZ4291)

OSD RT
OSD CLK
OSD DT
VIDEO1
VIDEO2
VIDEO3
A.MUTE
SW DET
OSD_ON

13 11 9 7 5 3 1
12 10 8 6 4 2

CN304
9604S-13C

TO MAIN ASSY
(MAIN ASSY 3/3)

A 3/3 CN130

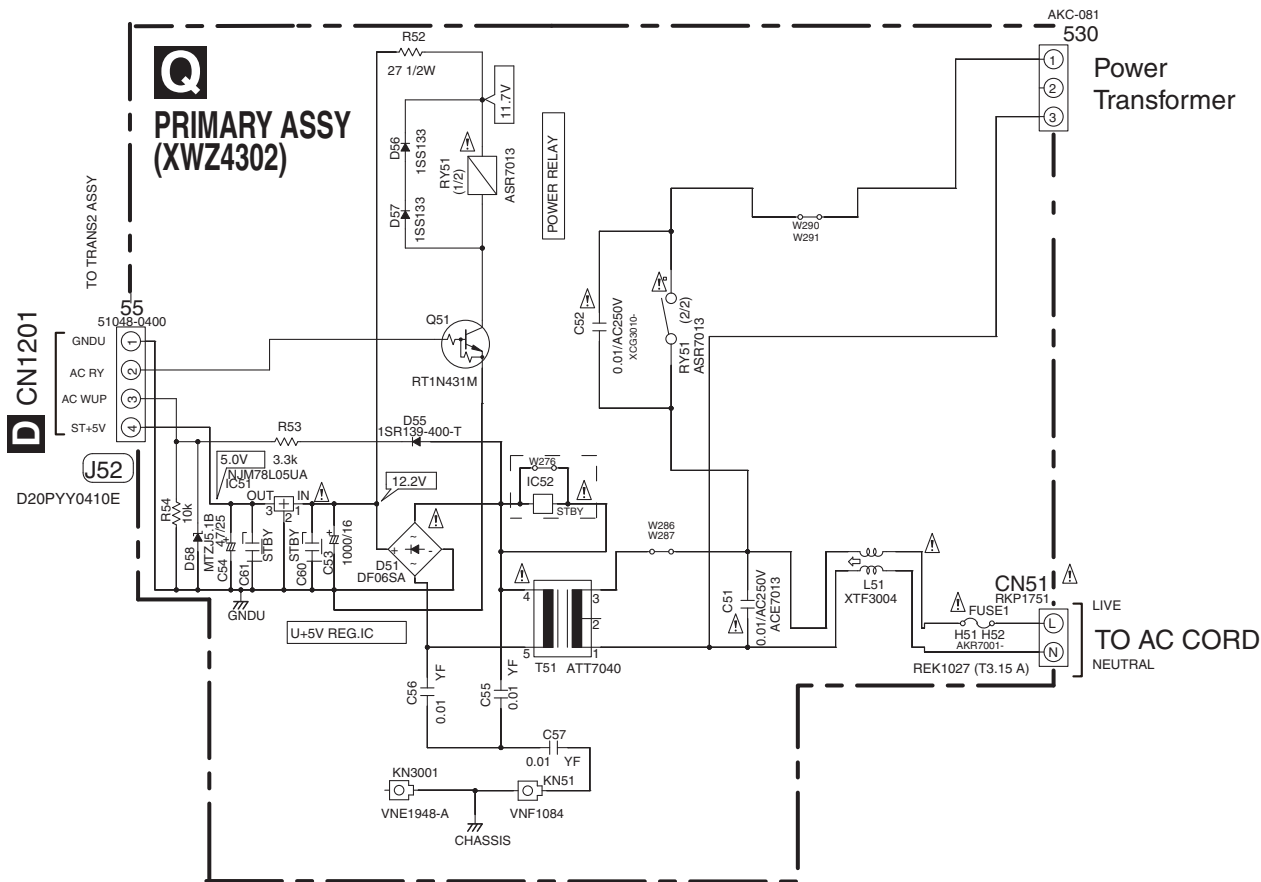
KP200TA6L
CN302

1 GND
2 SWOUT
3 GND
4 +12V
5 GAV
6 -12V

TO POWER PACK ASSY

C 2/2 CN803

1 2 3 4



• NOTE FOR FUSE REPLACEMENT

CAUTION - FOR CONTINUED PROTECTION AGAINST RISK OF FIRE. REPLACE WITH SAME TYPE AND RATINGS OF FUSE.

NOTE

1.RESISTORS
 Unit: k-kΩ, M-MΩ or Ω unless otherwise noted.
 Rated power: 1/16W unless otherwise noted.
 Tolerance: (J) ± 5% unless otherwise noted.

2.CAPACITORS
 Unit: p-pF or μF unless otherwise noted.
 Ratings: Capacity(μF)/Voltage(V) unless otherwise noted.
 Rated Voltage: 50V expect for electrolytic capacitors.


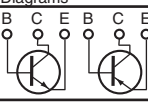

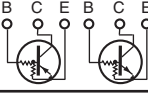

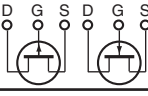

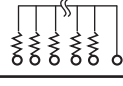

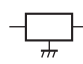
- (V) : Video Signal Route
- (L) : Audio Signal Route (L ch)
- (SW) : Audio Signal Route (SubWoofer ch)



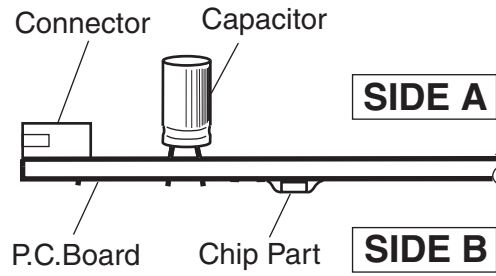
11. PCB CONNECTION DIAGRAM

NOTE FOR PCB DIAGRAMS :

- 1. Part numbers in PCB diagrams match those in the schematic diagrams.
- 2. A comparison between the main parts of PCB and schematic diagrams is shown below.

Symbol In PCB Diagrams	Symbol In Schematic Diagrams	Part Name
		Transistor
		Transistor with resistor
		Field effect transistor
		Resistor array
		3-terminal regulator

- 3. The parts mounted on this PCB include all necessary parts for several destinations.
For further information for respective destinations, be sure to check with the schematic diagram.
- 4. View point of PCB diagrams.

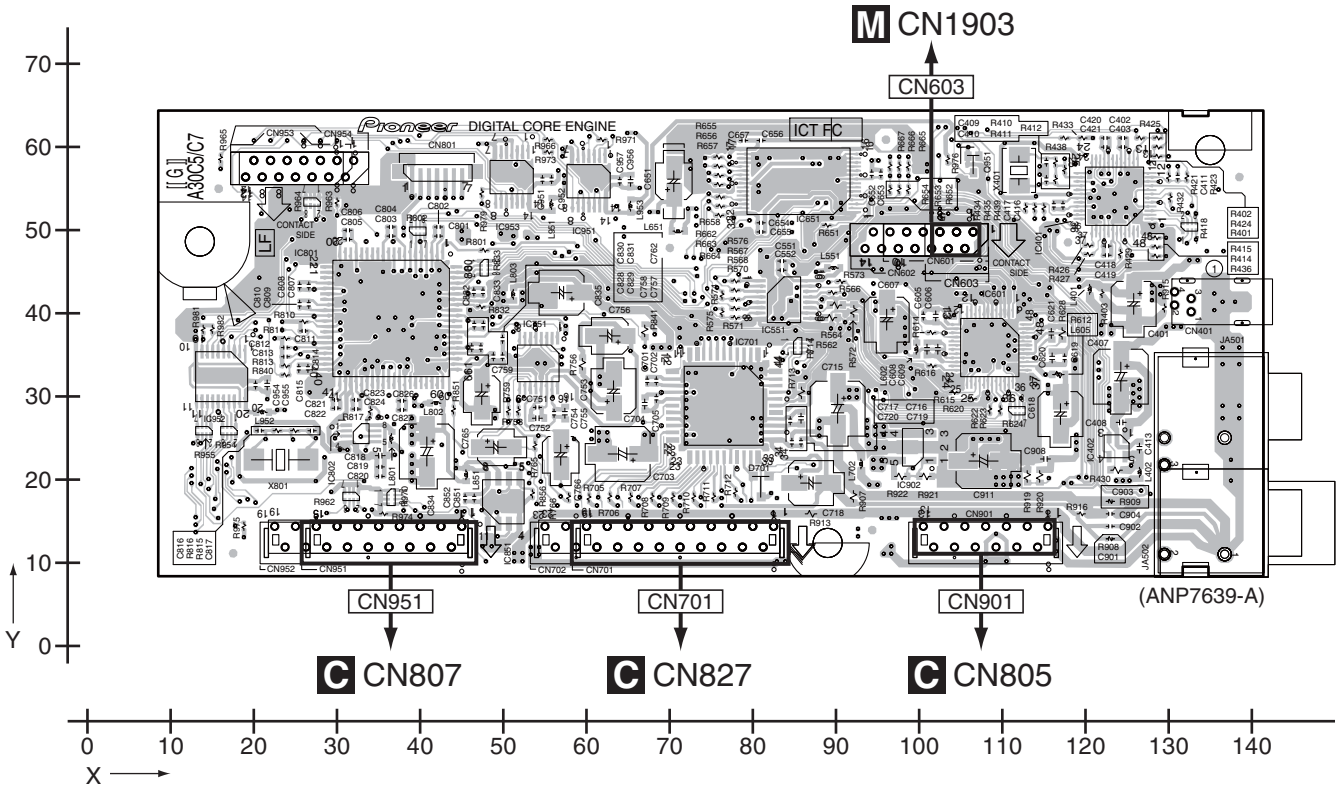


11.1 DSP ASSY

SIDE A

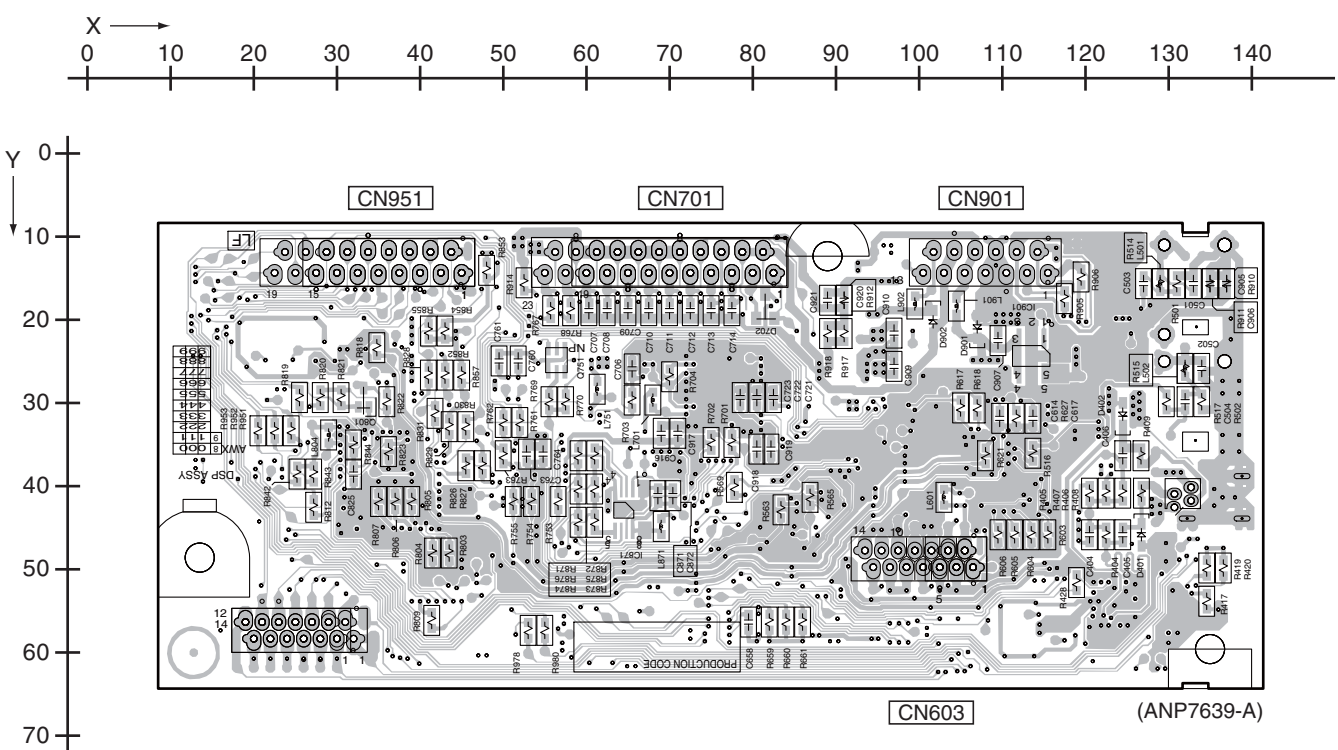
B DSP ASSY

SIDE A



SIDE B

SIDE B



B DSP ASSY

B

11.2 MAIN ASSY

SIDE A

A

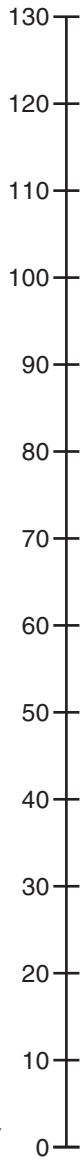
B

C

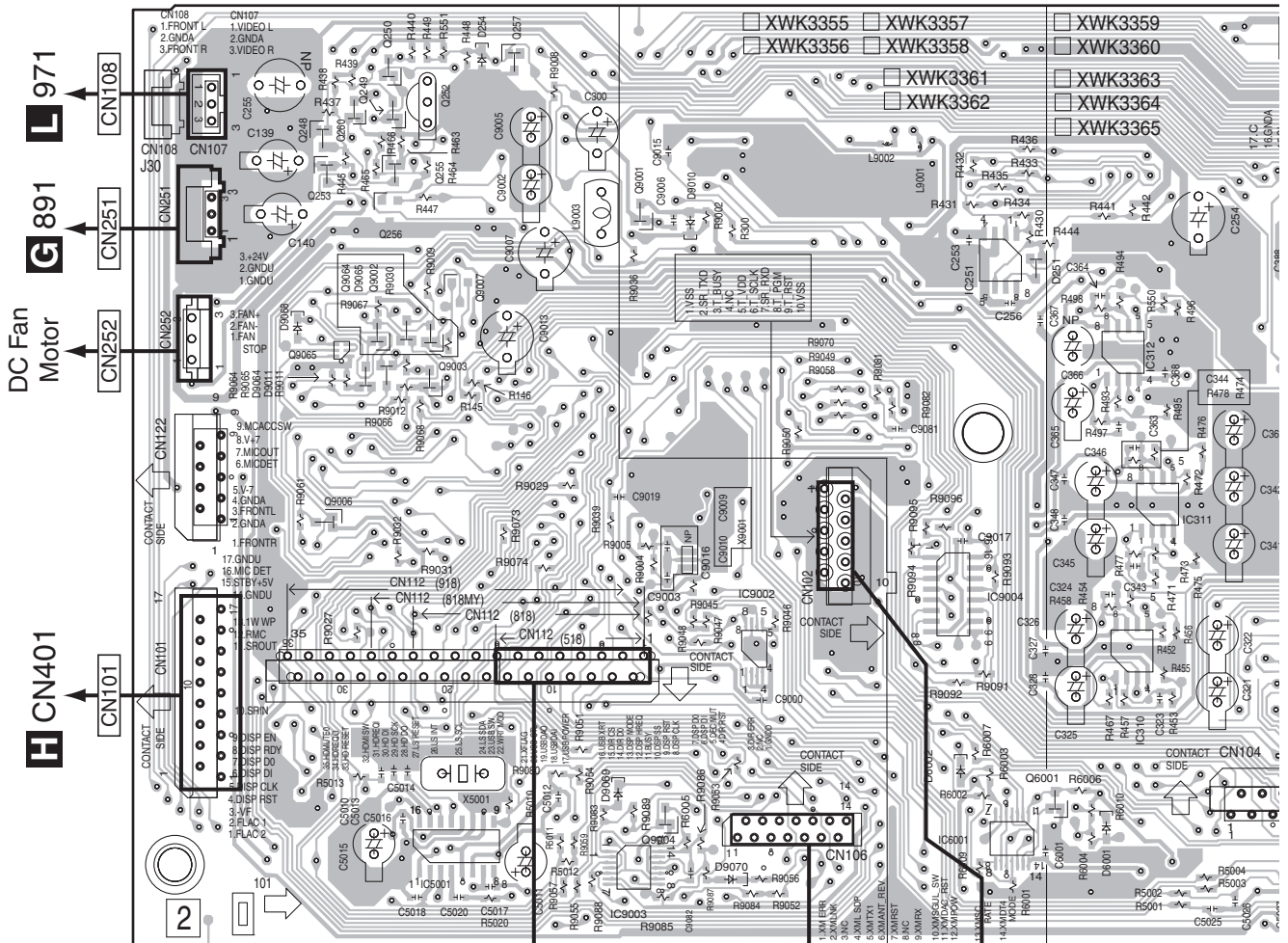
D

E

F



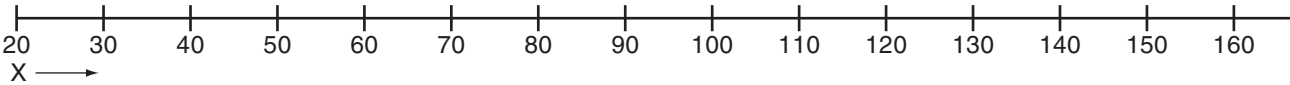
A MAIN ASSY



DC Fan Motor
L 971
G 891
H CN401

(XNP3127-B)

C CN813
B CN953
 for FLASH



A

62

VSX-418-K

1

2

3

4

SIDE A

A

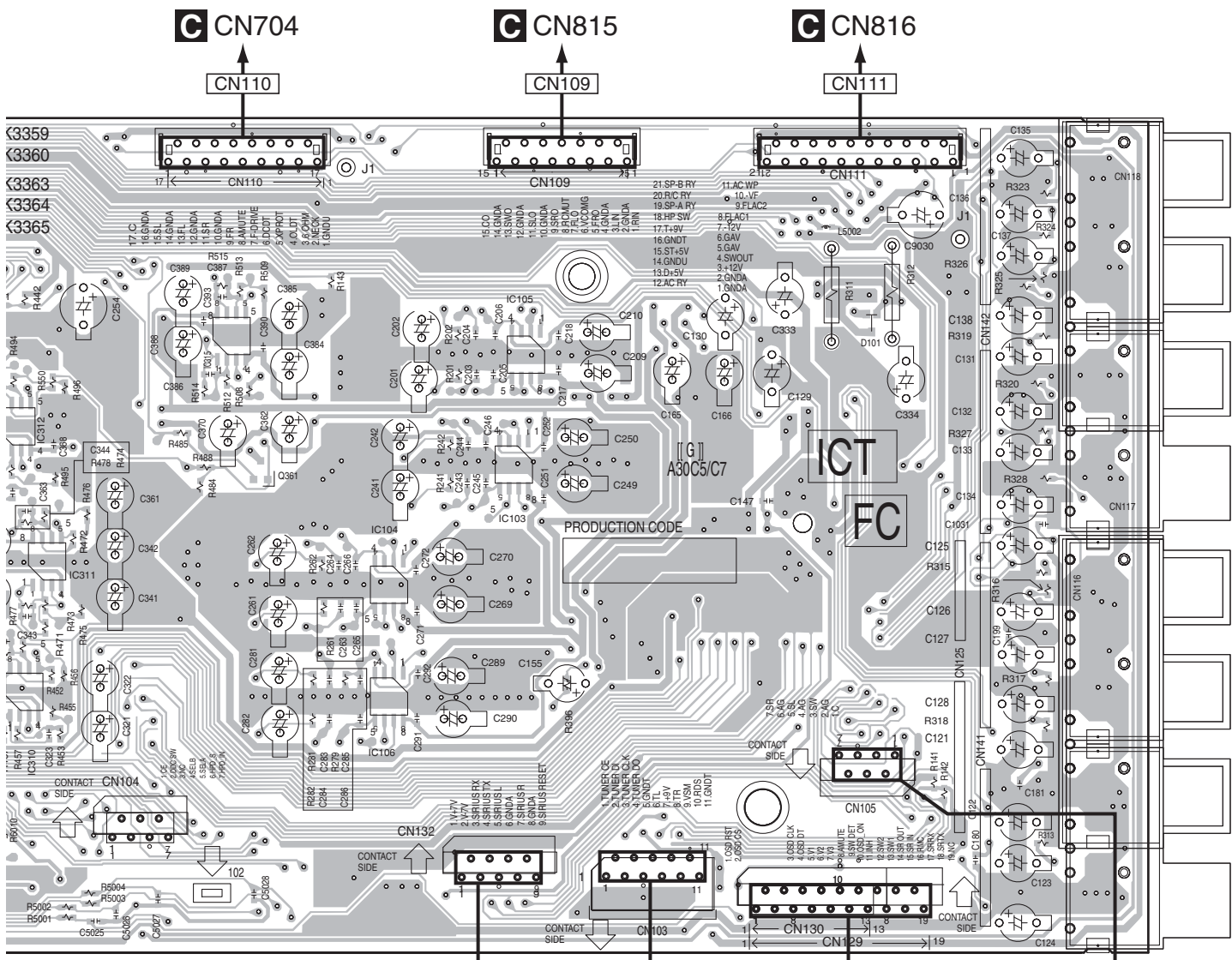
B

C

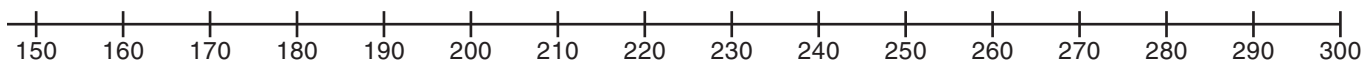
D

E

F



U CN7301 FM/AM Tuner Unit
P CN304
F CN307



1

2

3

4

SIDE B

A

A MAIN ASSY

CN111

CN109

CN110

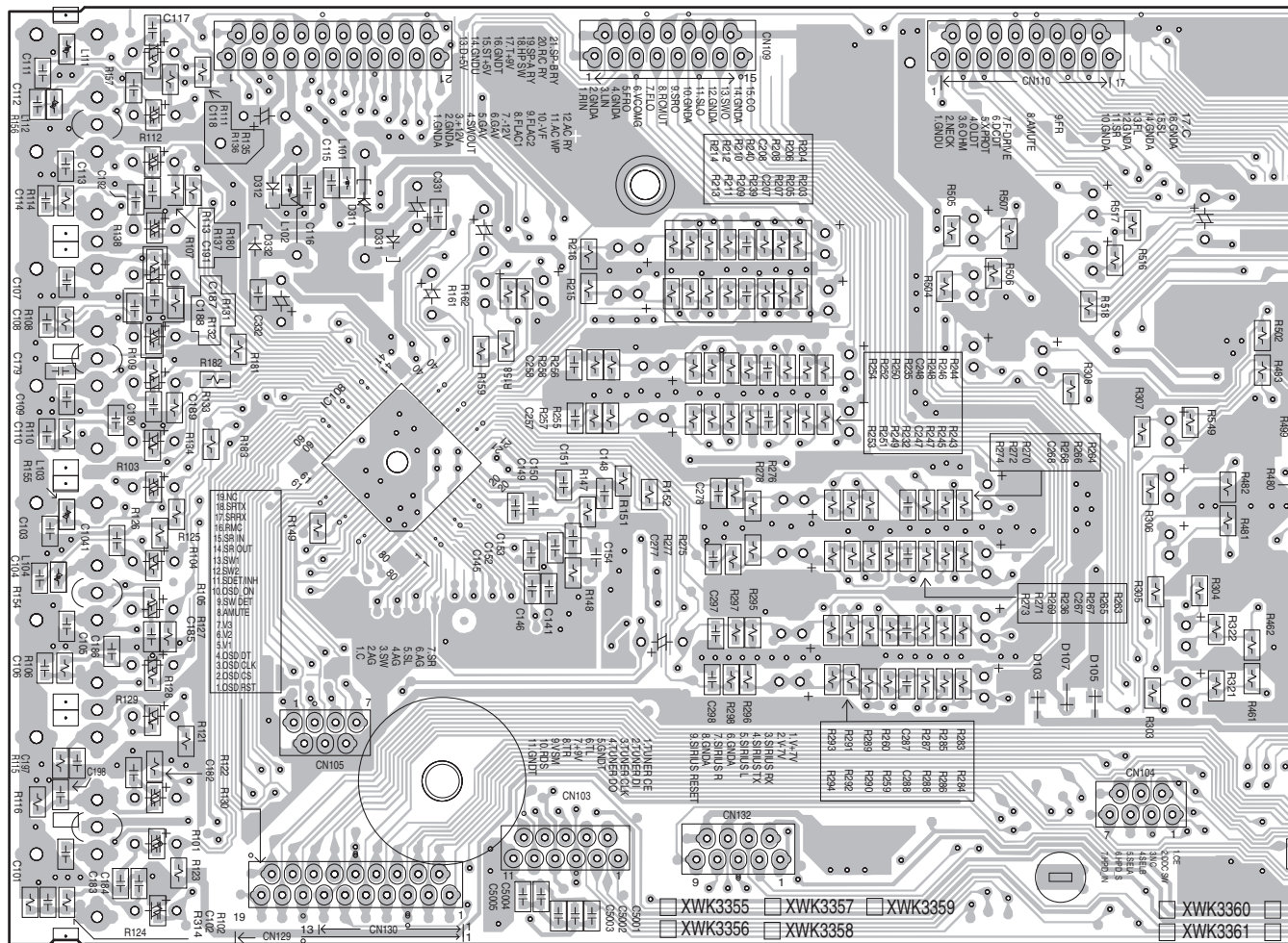
B

C

D

E

F



CN105

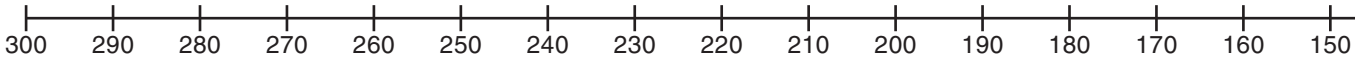
CN129

CN103

CN132

CN104

CN130



A

1

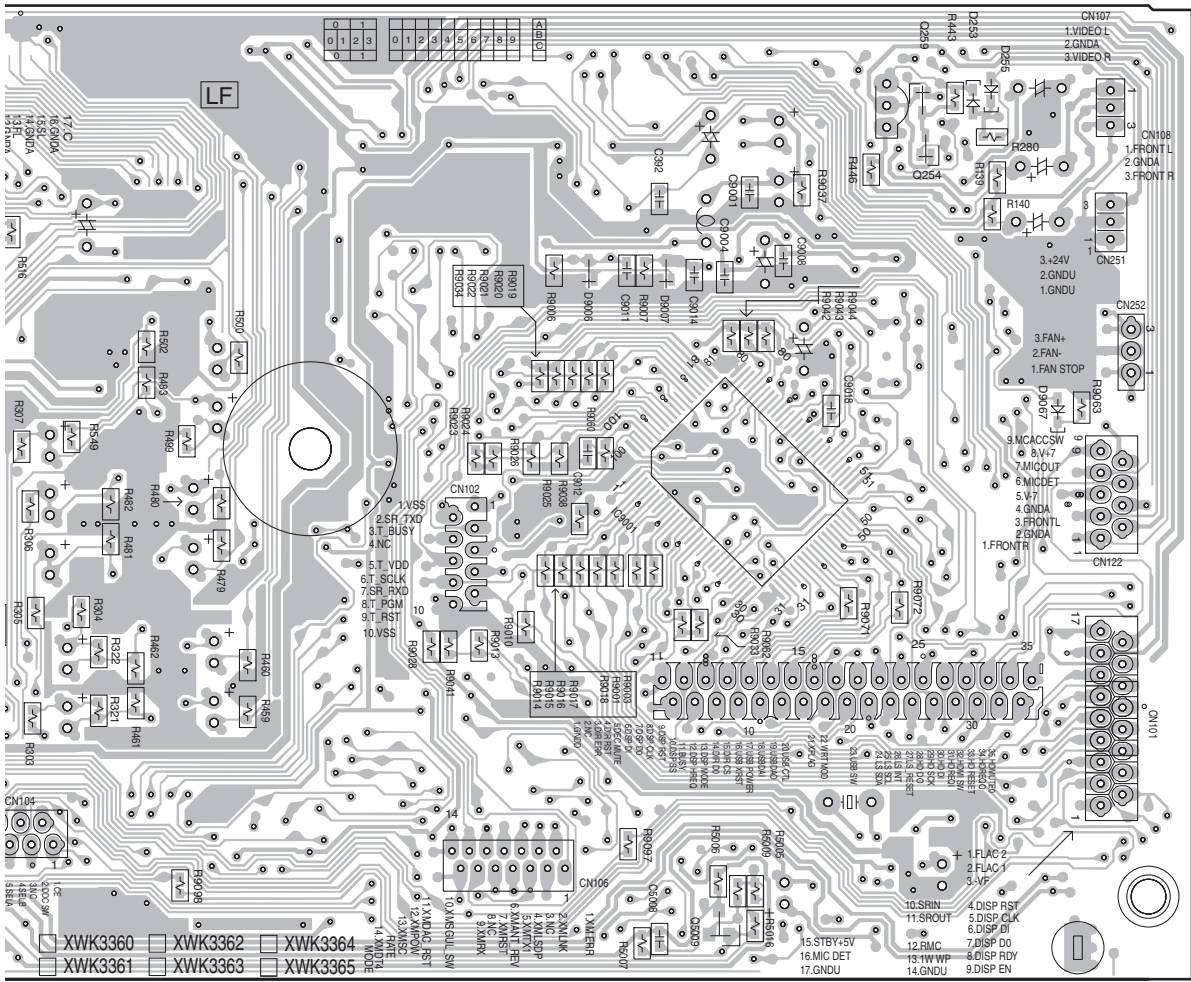
2

3

4

SIDE B

A



N104

CN102

CN106

CN112

(XNP3127-B)

CN108

CN251

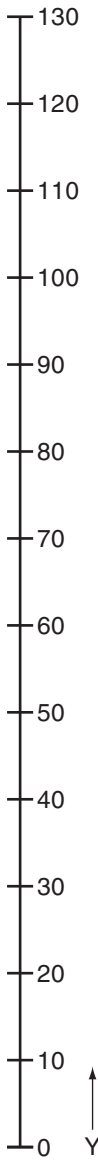
CN252

CN122

CN101

CN106

CN112

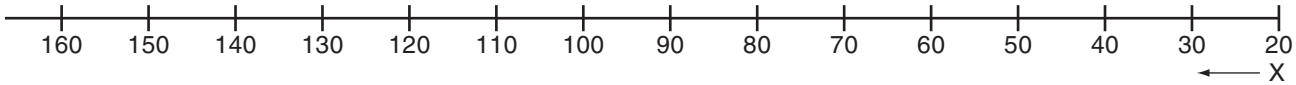


B

C

D

E



F

11.3 POWER PACK ASSY

SIDE A

C POWER PACK ASSY

A

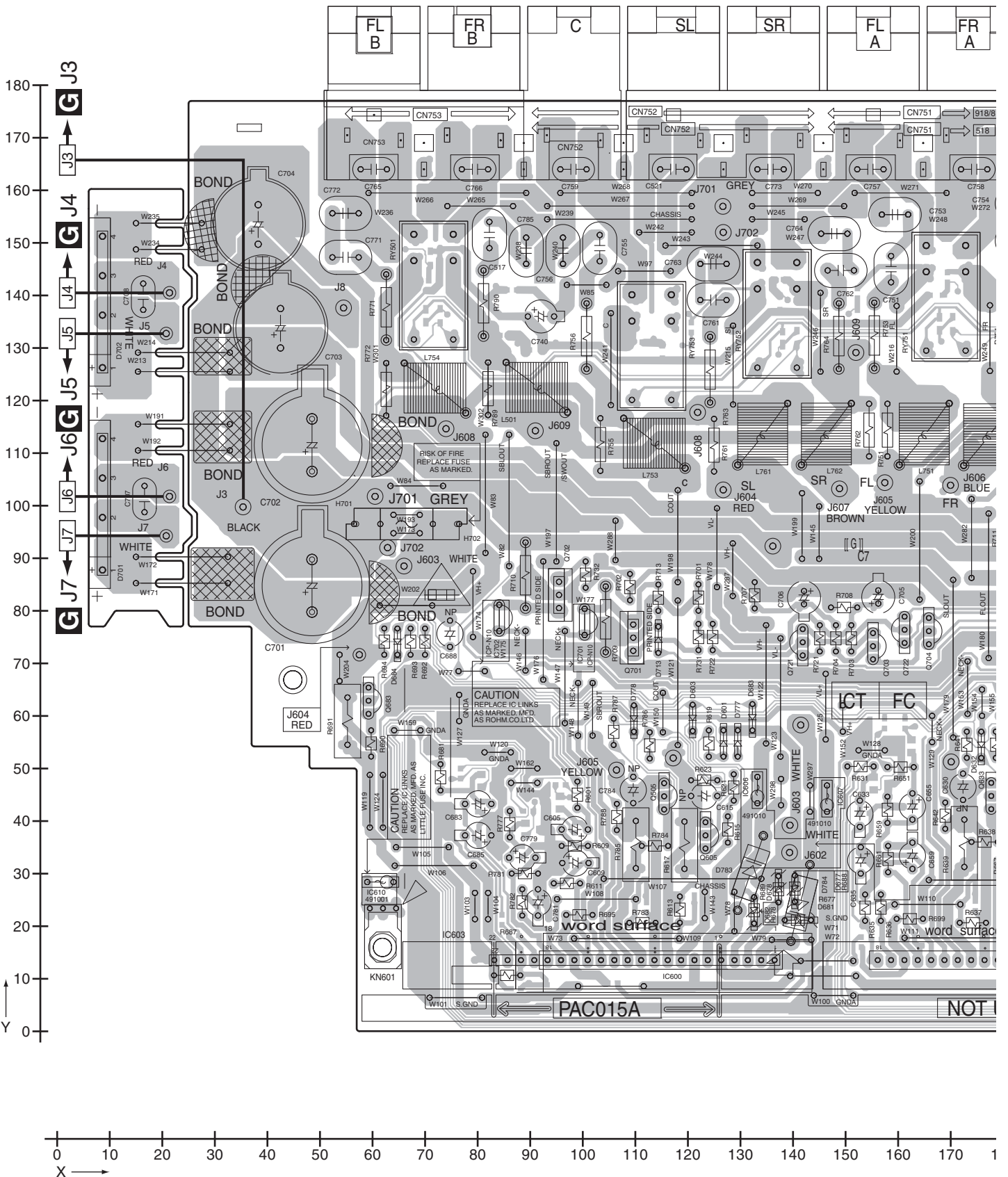
B

C

D

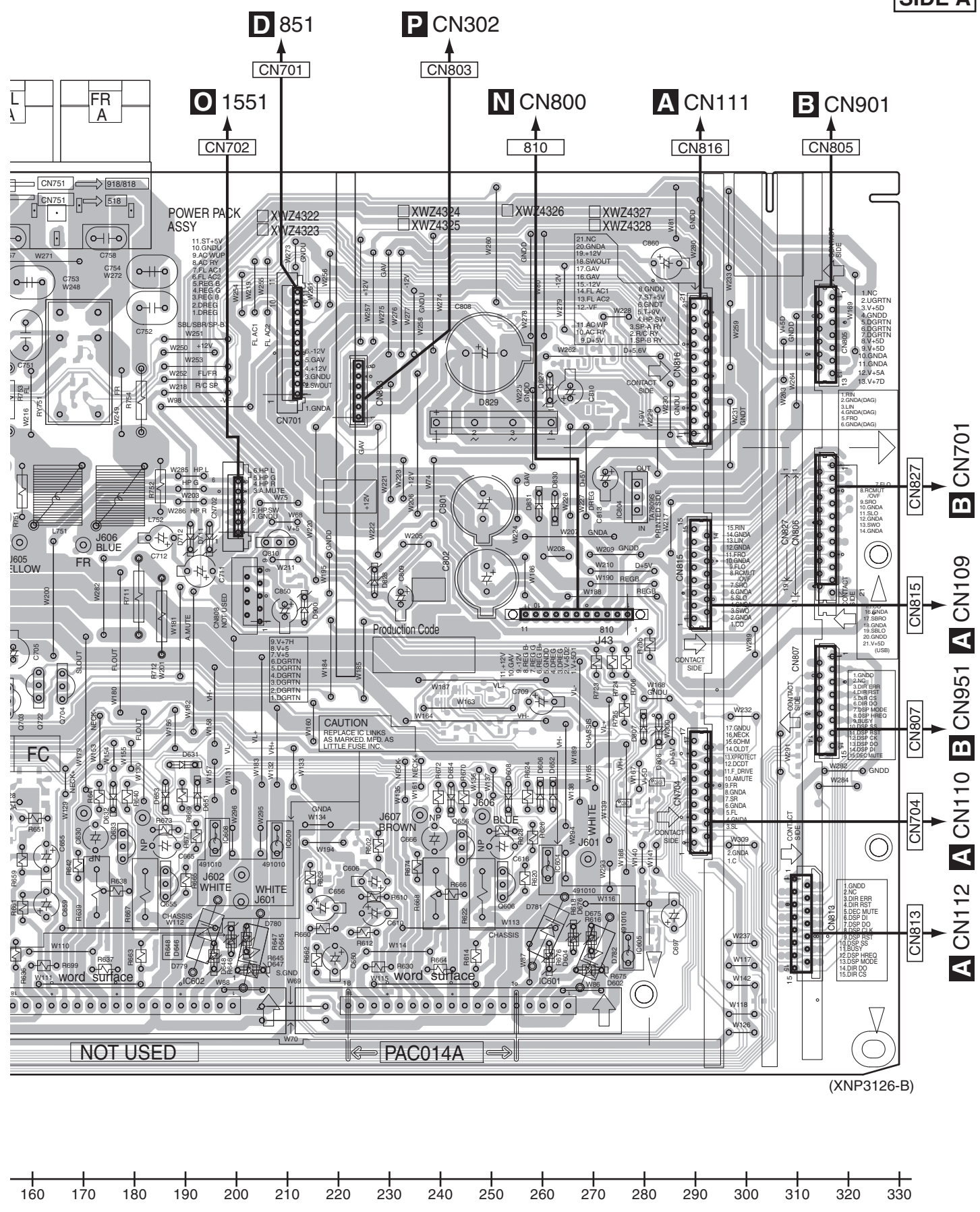
E

F



SIDE A

A
B
C
D
E
F



VSX-418-K



SIDE B

POWER PACK ASSY

CN805

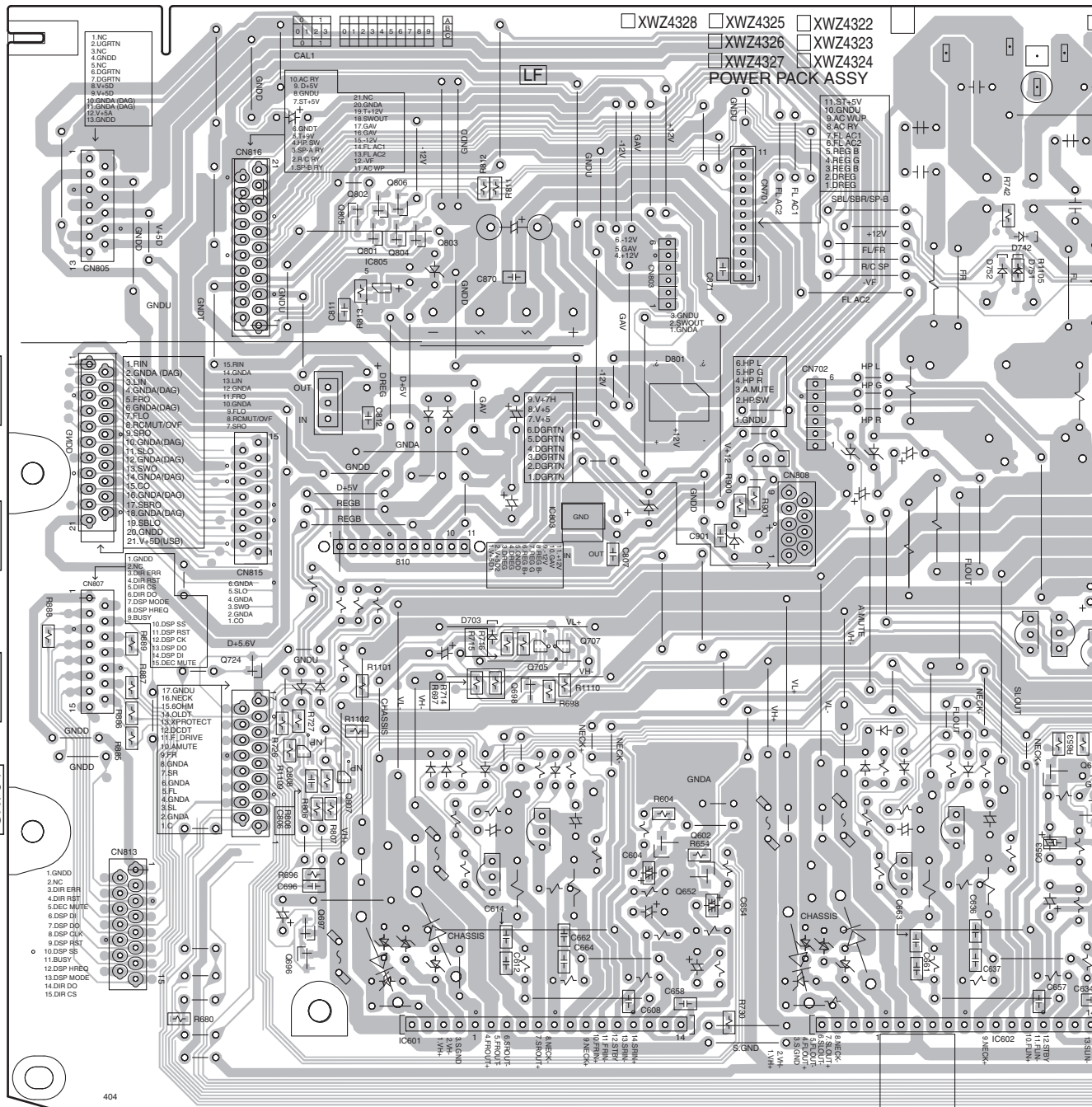
CN816

810

CN803

CN701

CN702

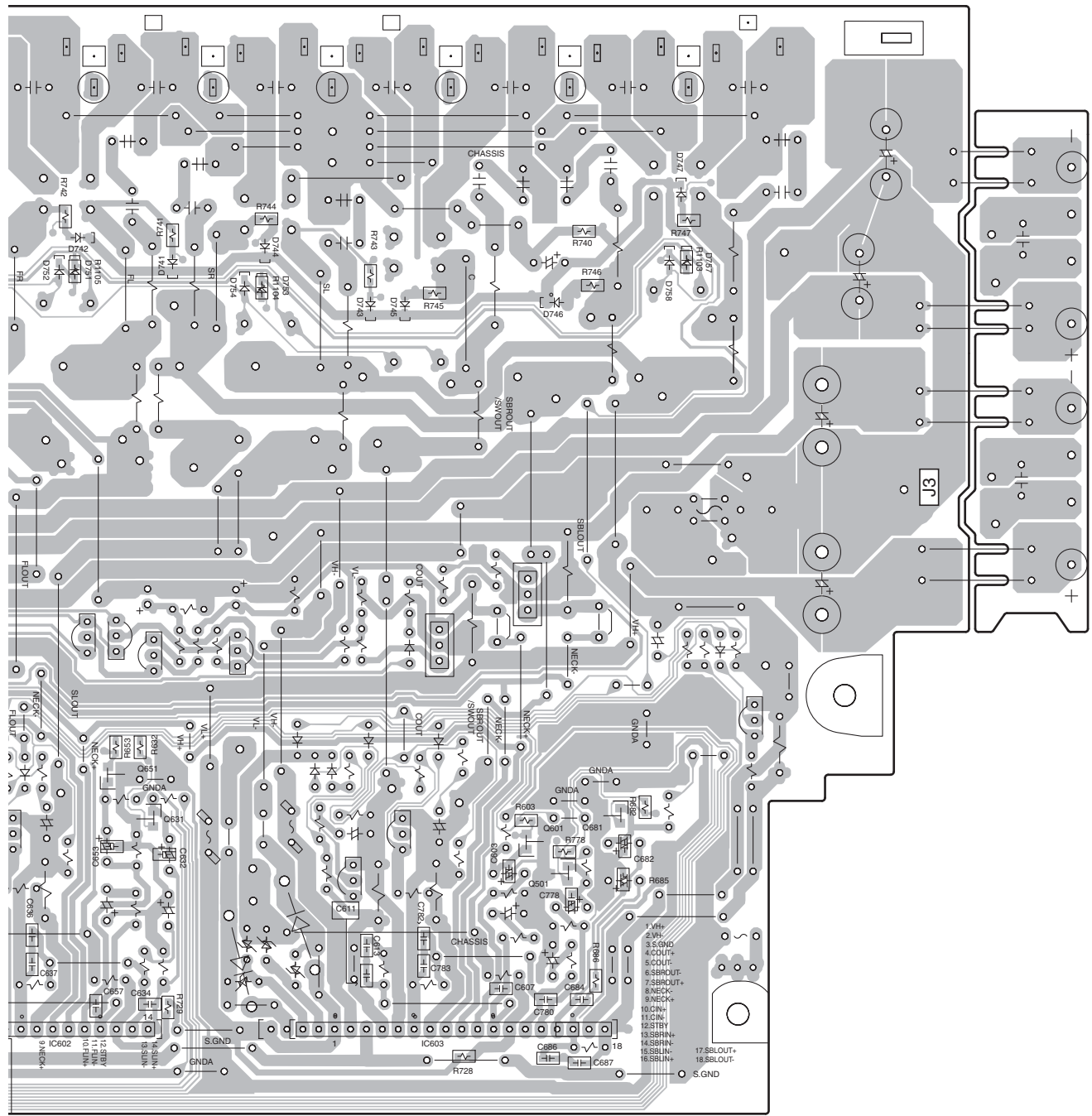


330 320 310 300 290 280 270 260 250 240 230 220 210 200 190 180 170 160

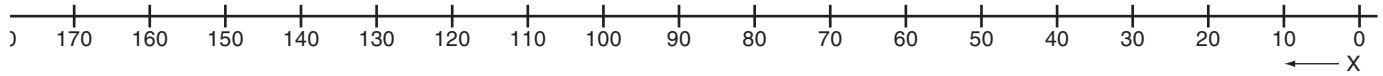
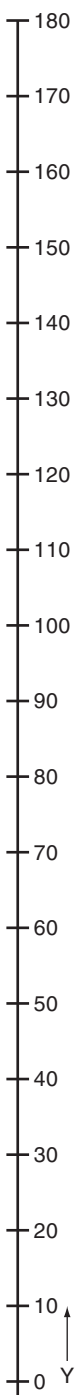
C

SIDE B

A



(XNP3126-B)



VSX-418-K

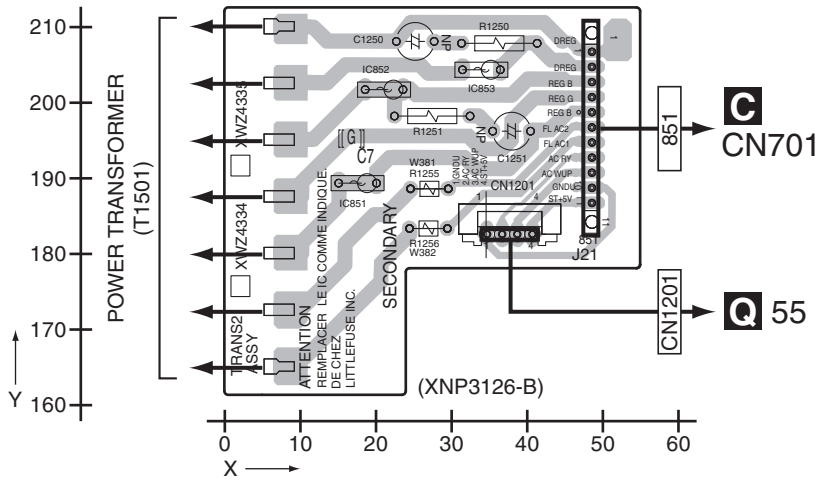
C

F

11.4 TRANS2 and TRANS3 ASSYS

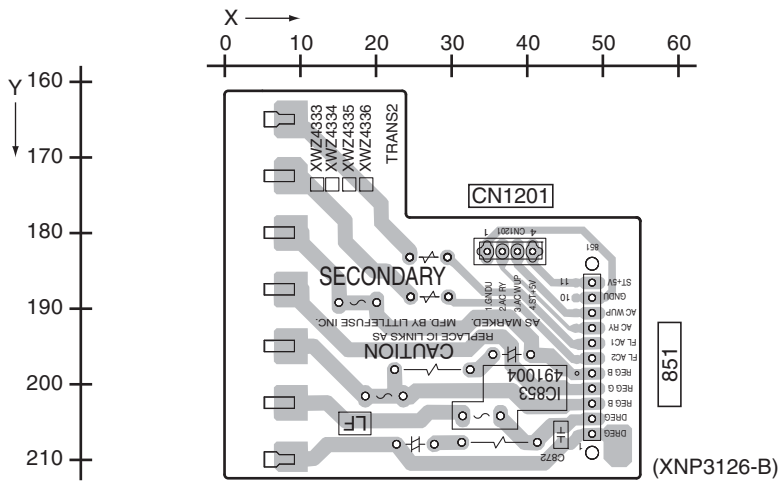
SIDE A

D TRANS2 ASSY



SIDE B

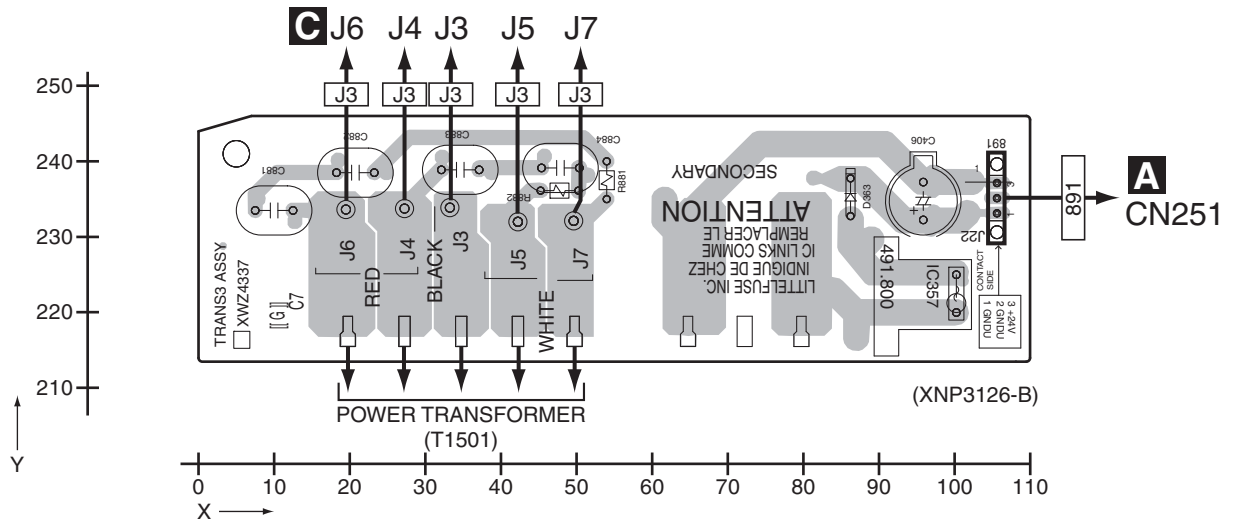
D TRANS2 ASSY



D

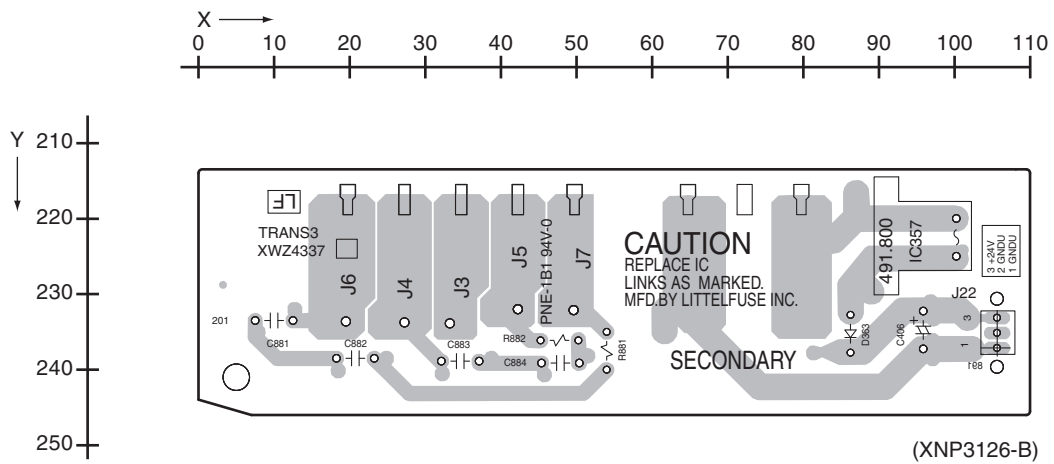
SIDE A

G TRANS3 ASSY



SIDE B

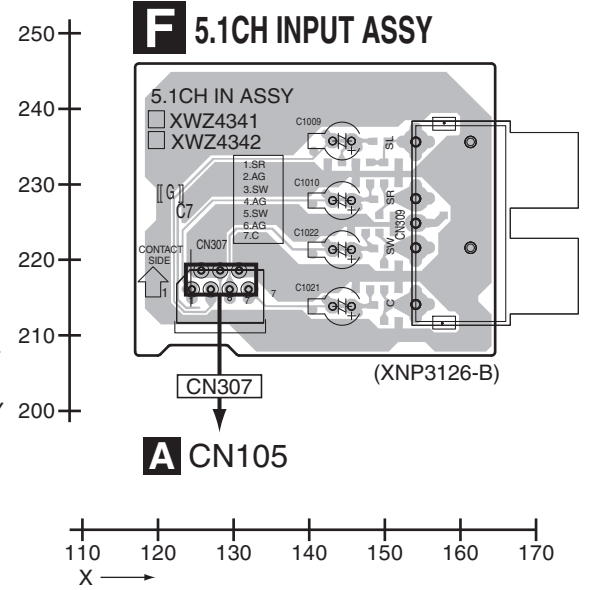
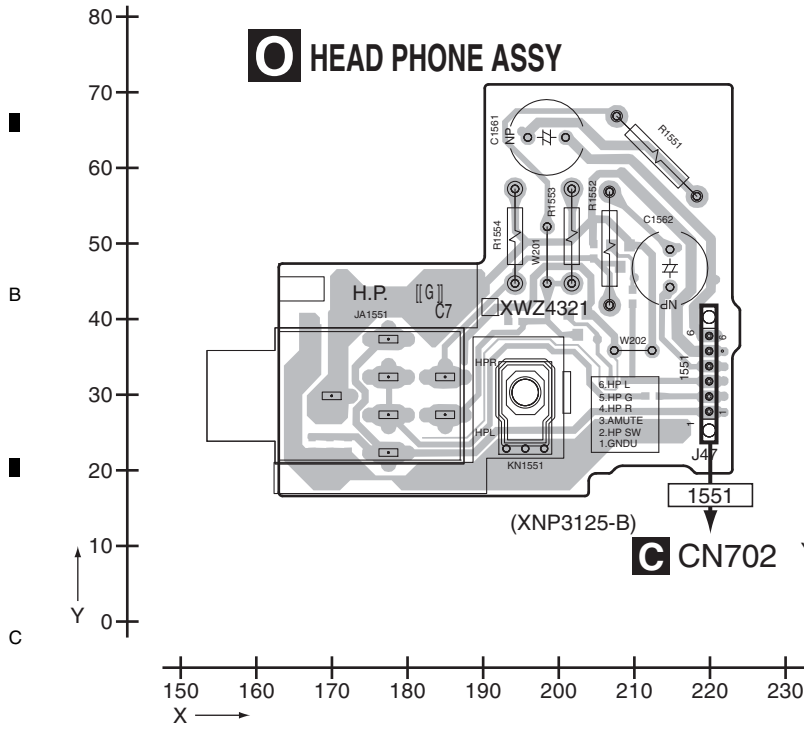
G TRANS3 ASSY



11.5 5.1CH INPUT and HEAD PHONE ASSYS

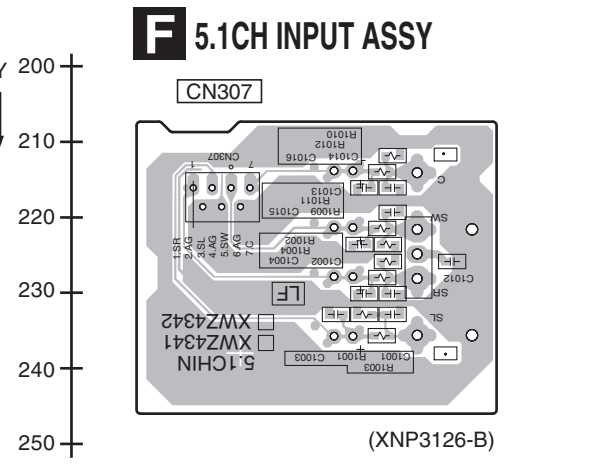
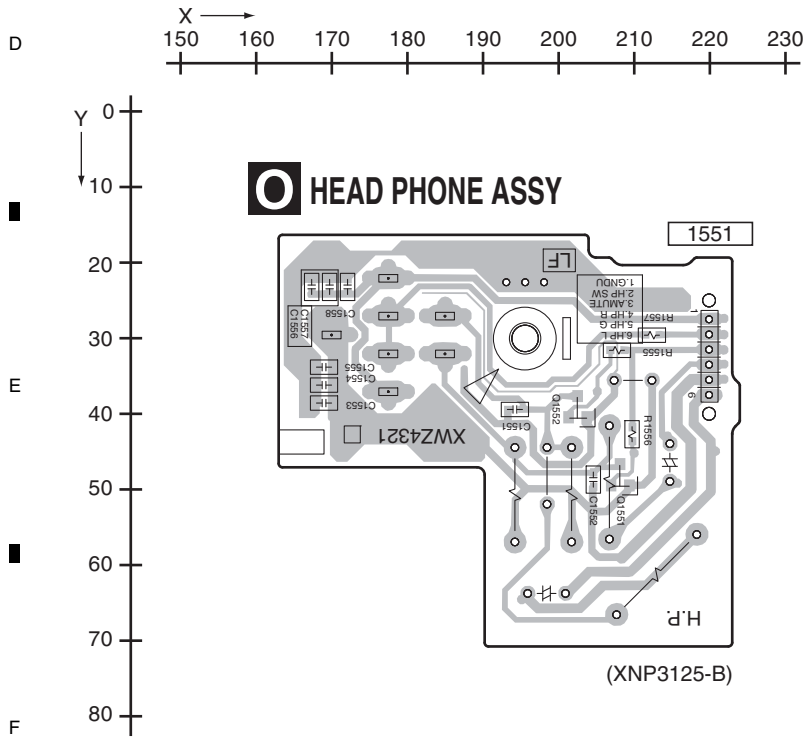
A SIDE A

SIDE A



SIDE B

SIDE B

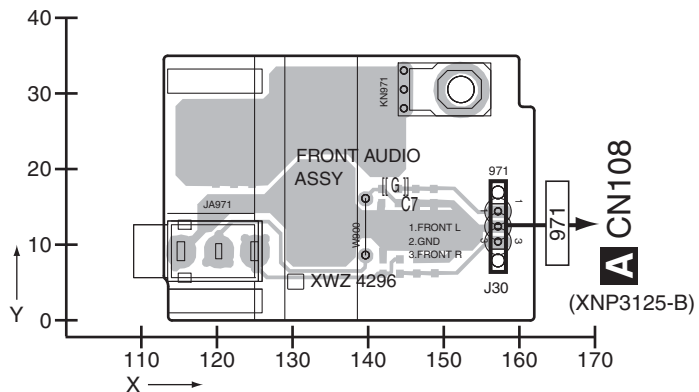


11.6 FRONT MINI JACK ASSY

SIDE A

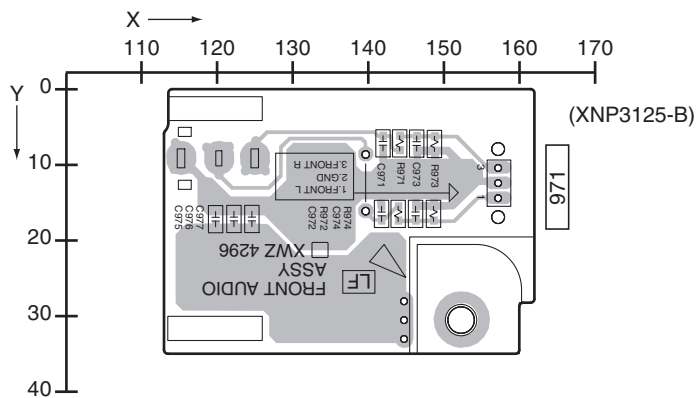
SIDE A

L FRONT MINI JACK ASSY



SIDE B

SIDE B



L FRONT MINI JACK ASSY

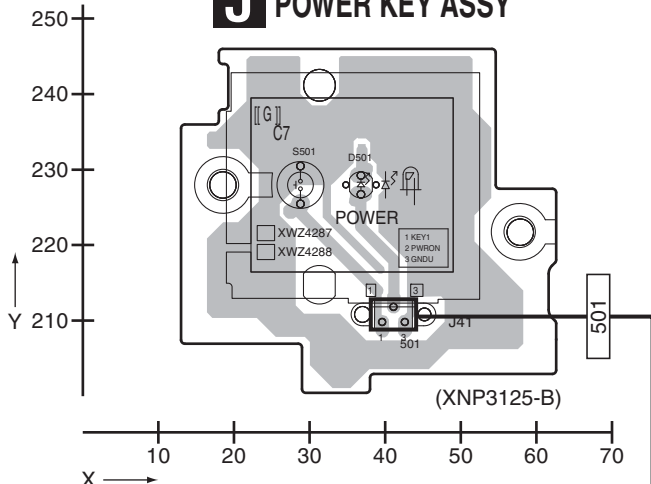


11.7 FRONT DISPLAY, ROTARY ENCODER, POWER KEY and JOG ASSYS

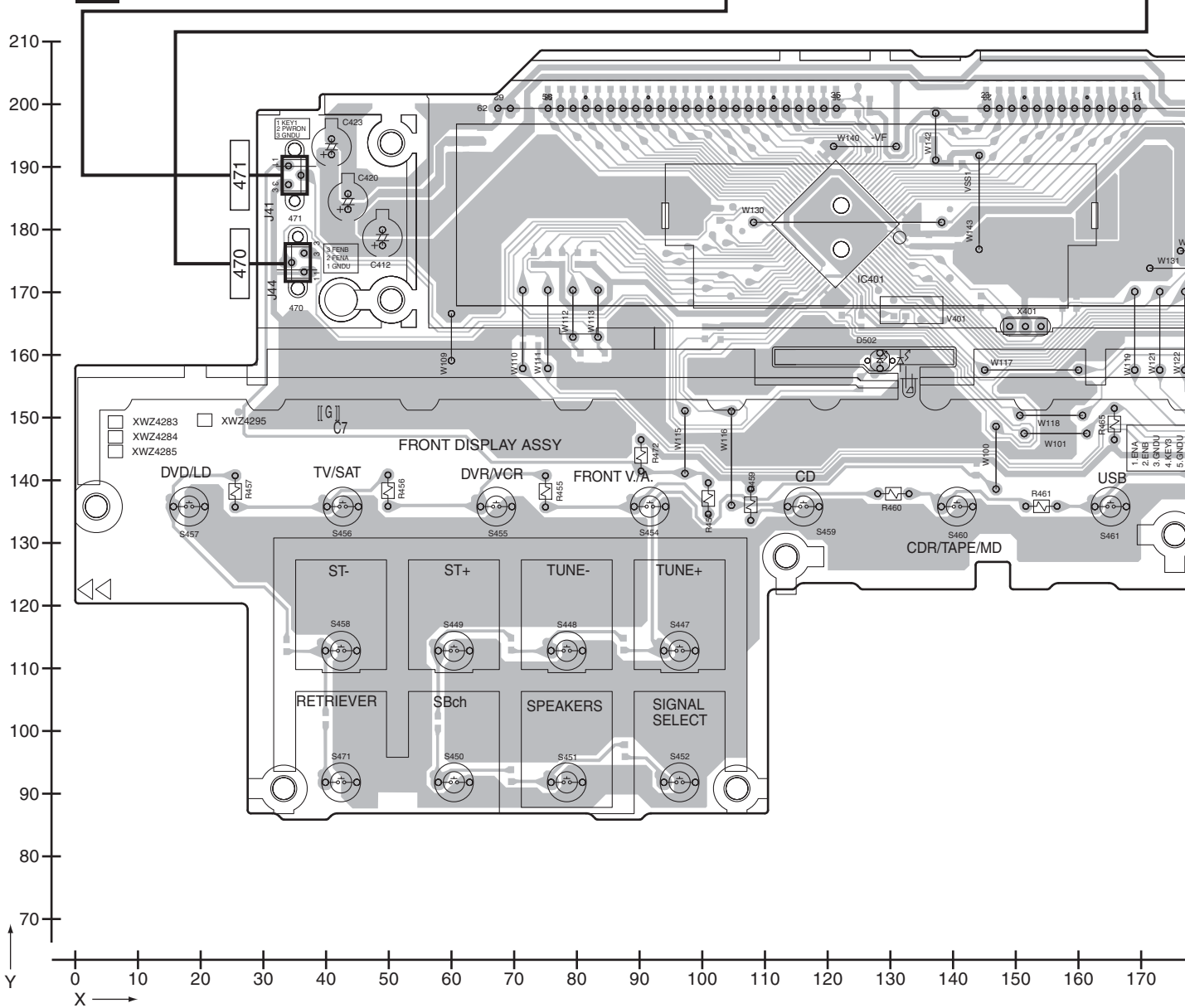
SIDE A

A
B
C
D
E
F

J POWER KEY ASSY



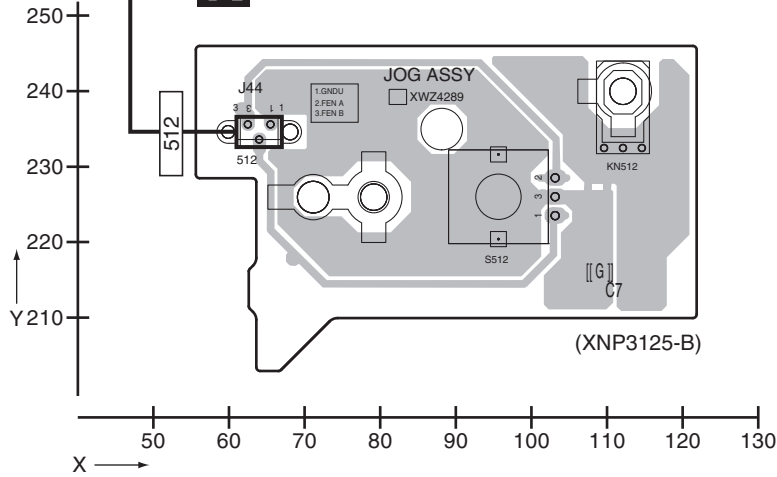
H FRONT DISPLAY ASSY



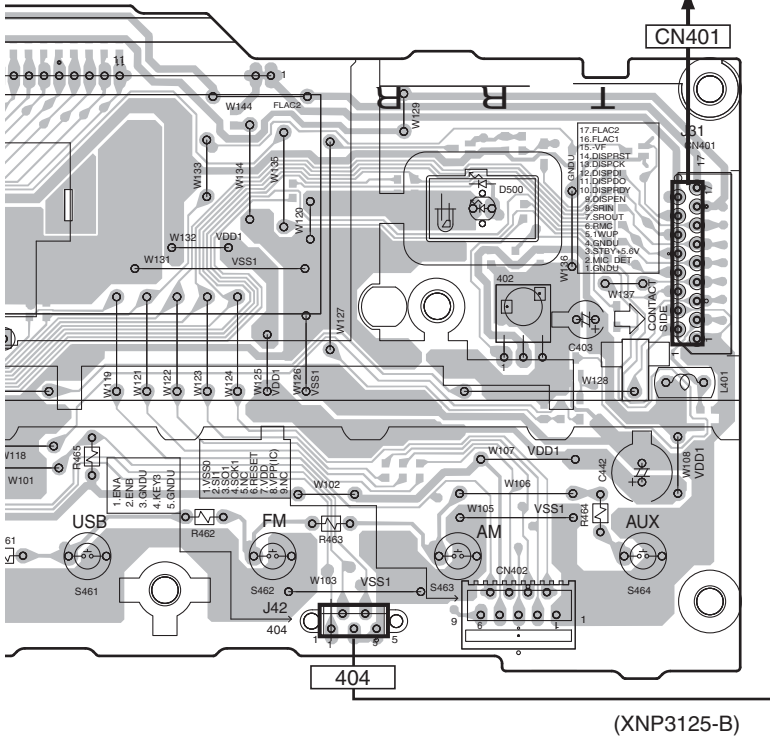
H J

SIDE A

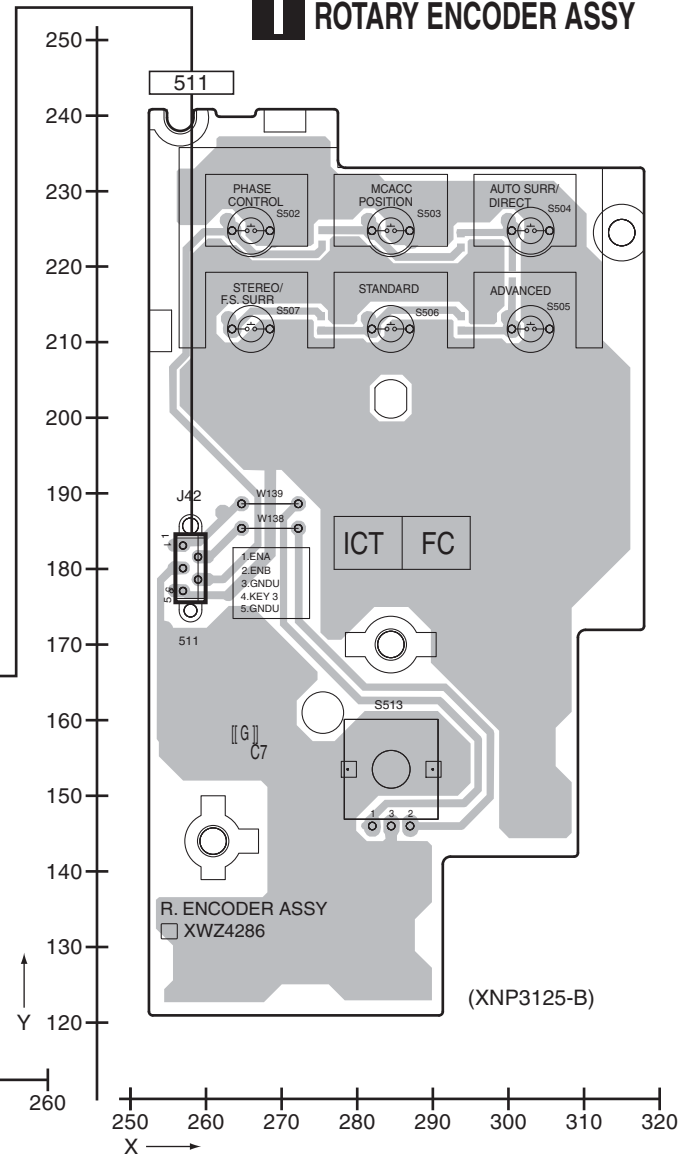
K JOG ASSY



A CN101

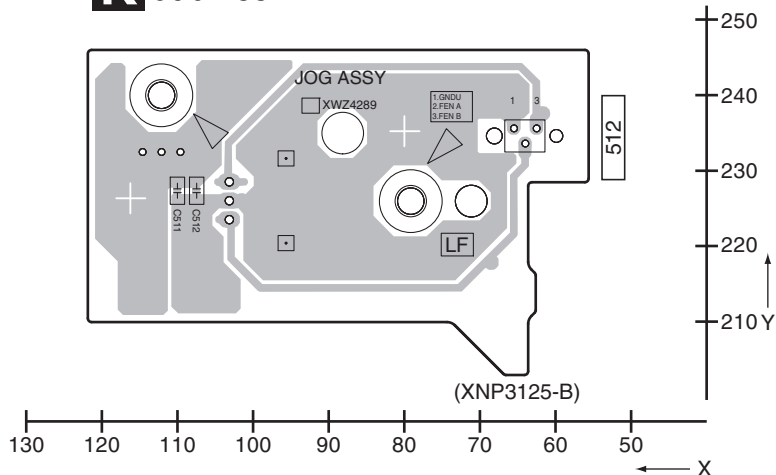


I ROTARY ENCODER ASSY



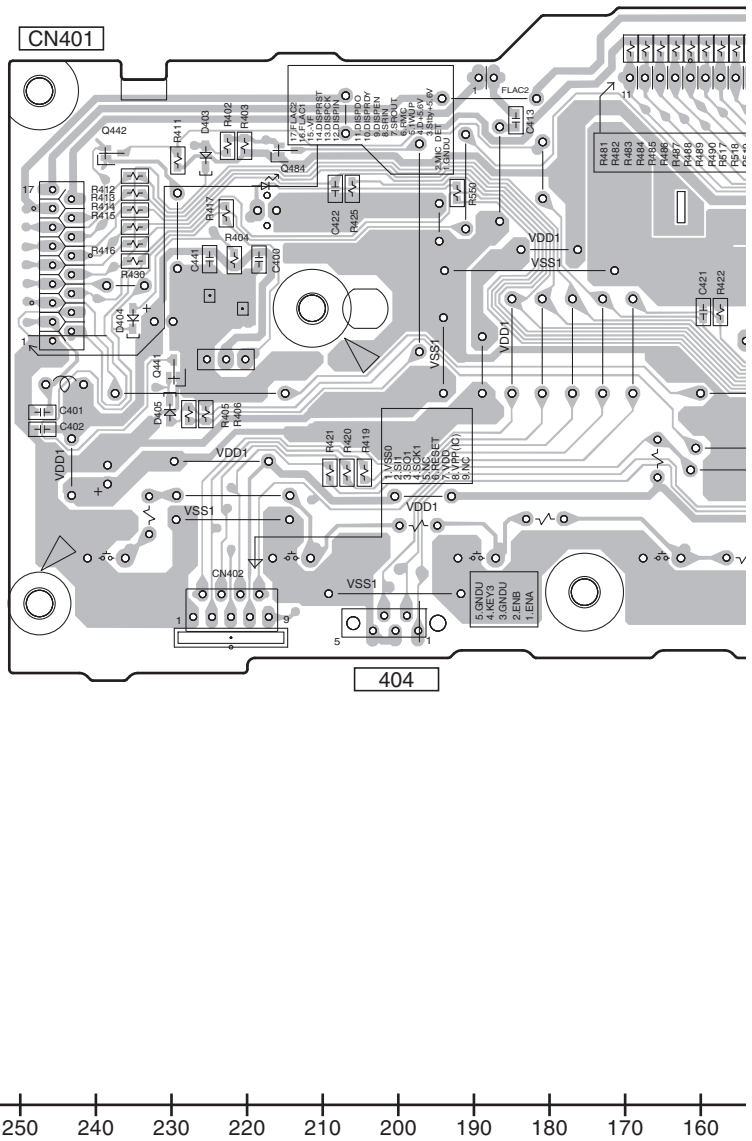
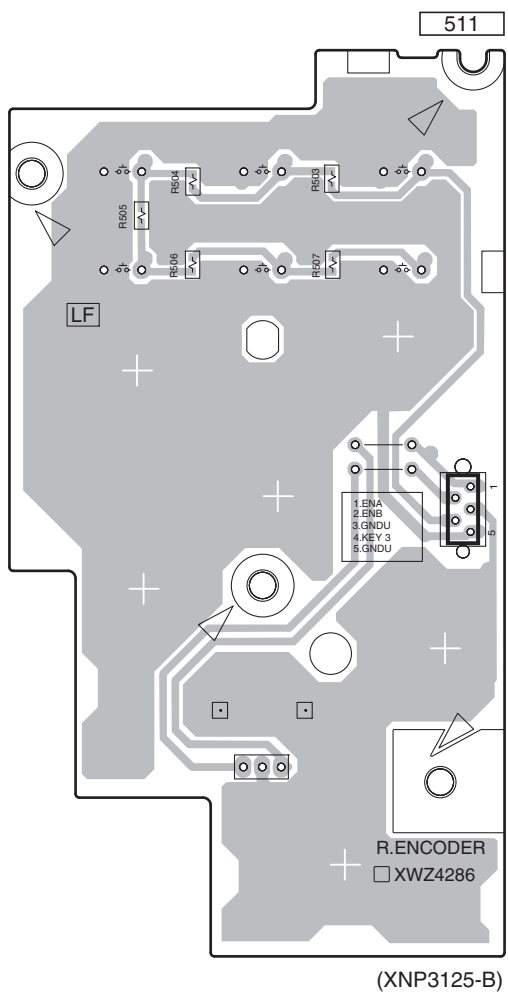
SIDE B

K JOG ASSY



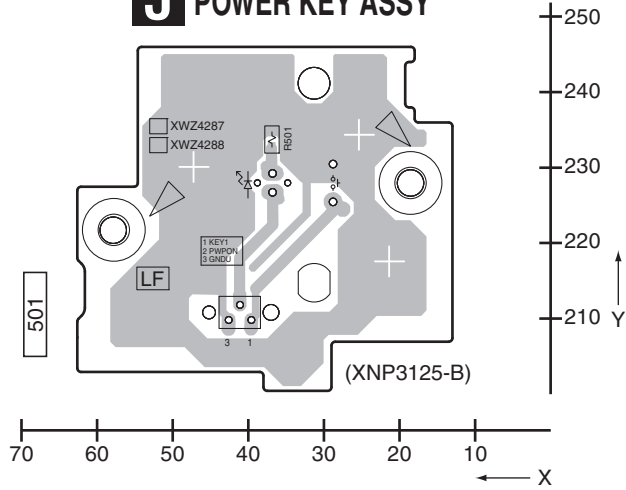
H FRONT DISPLAY ASSY

I ROTARY ENCODER ASSY

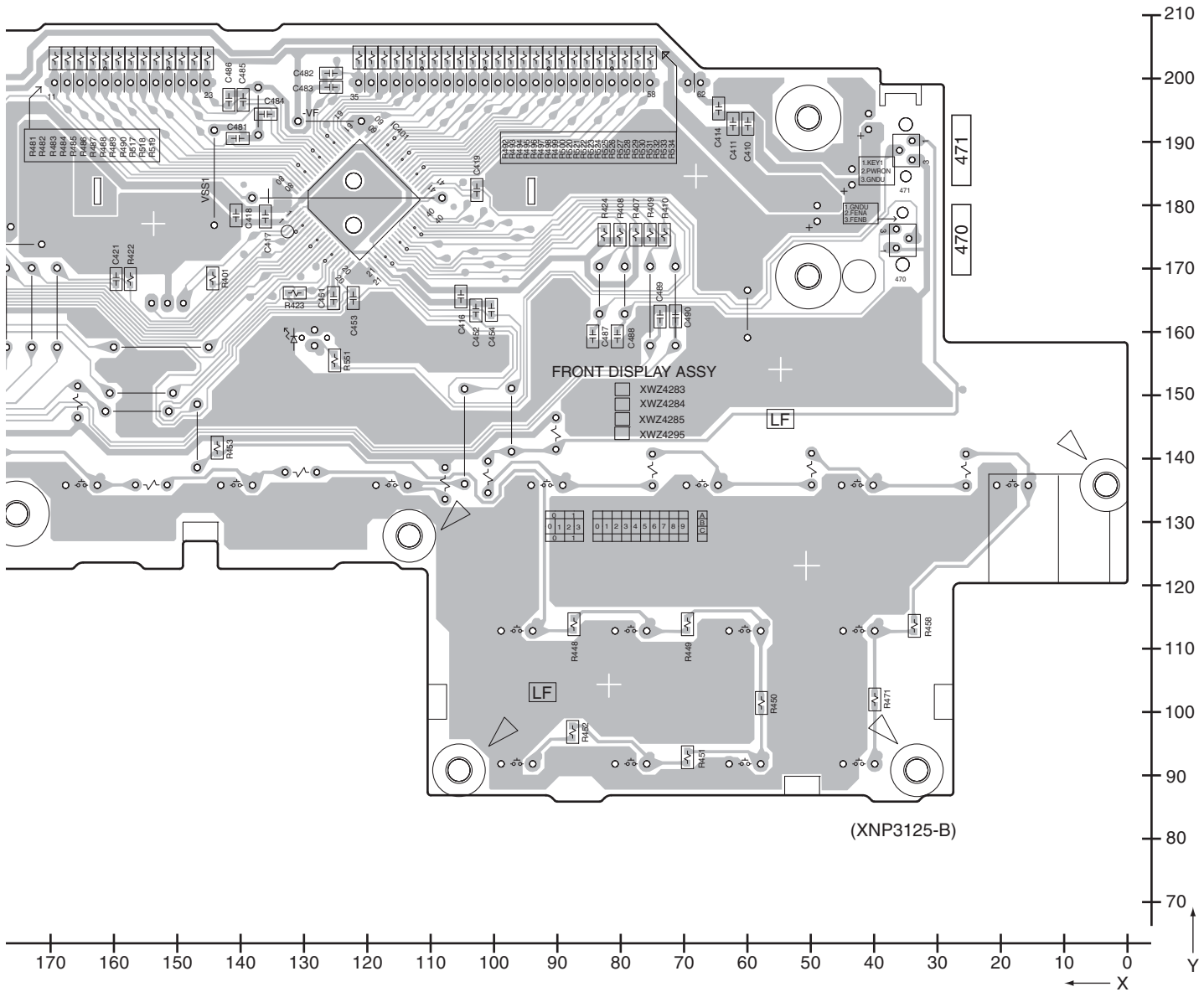


SIDE B

J POWER KEY ASSY



A
B



C
D
E
F

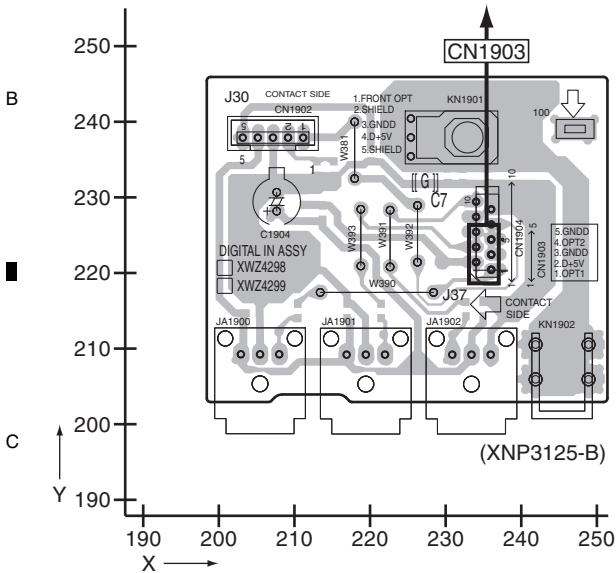
11.8 DIGITAL INPUT ASSY

SIDE A

SIDE A

M DIGITAL INPUT ASSY

B CN5

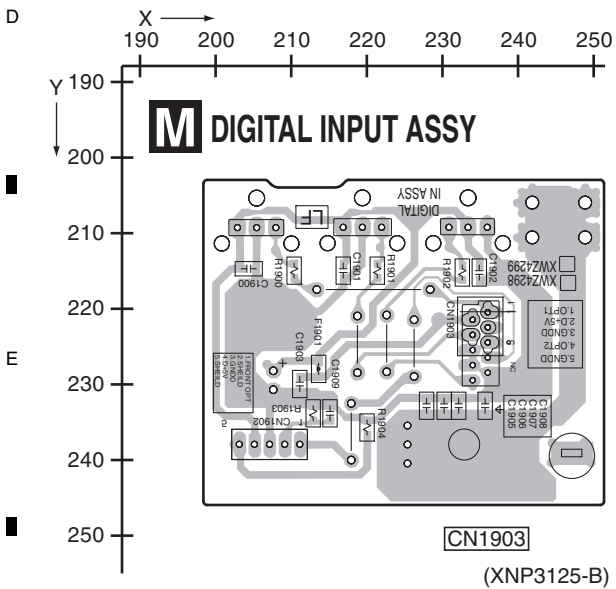


SIDE B

SIDE B

M DIGITAL INPUT ASSY

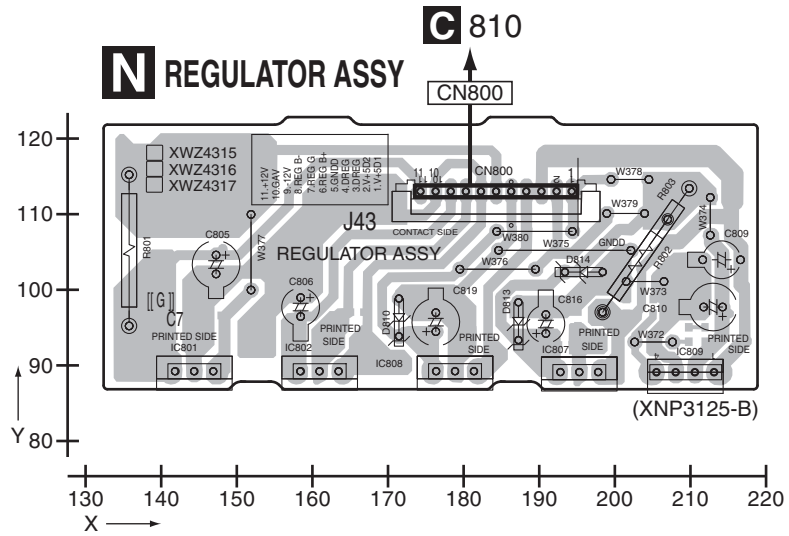
CN1903



11.9 REGULATOR ASSY

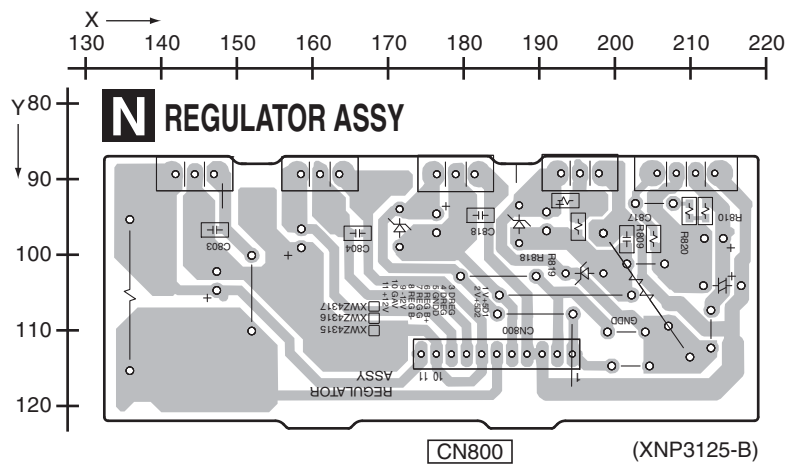
SIDE A

SIDE A



SIDE B

SIDE B



N

N

11.10 PRIMARY ASSY

SIDE A

SIDE A

A

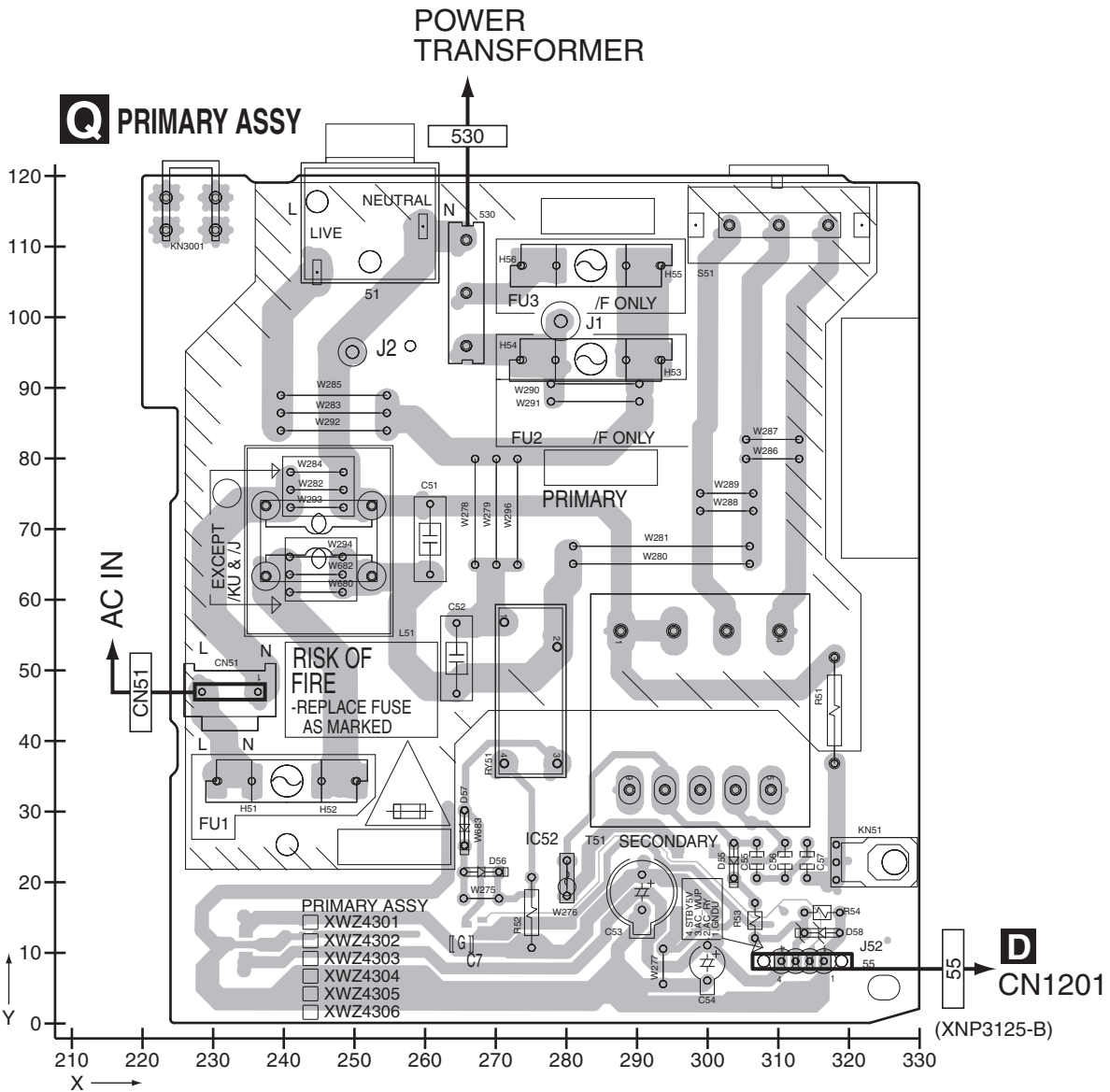
B

C

D

E

F



SIDE B

SIDE B

A

B

C

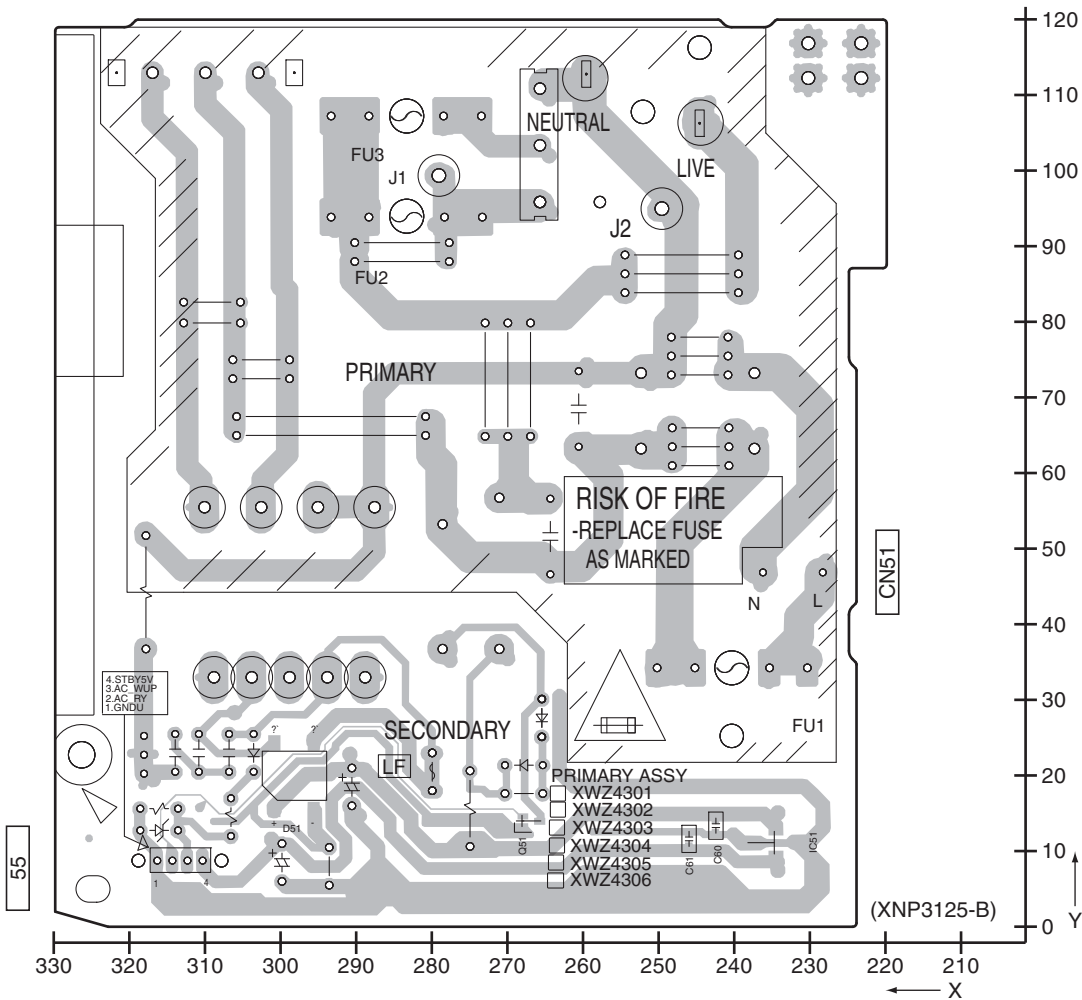
D

E

F

Q PRIMARY ASSY

530



11.11 VIDEO ASSY

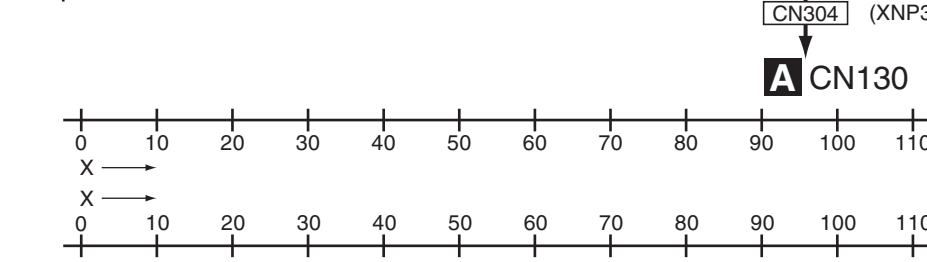
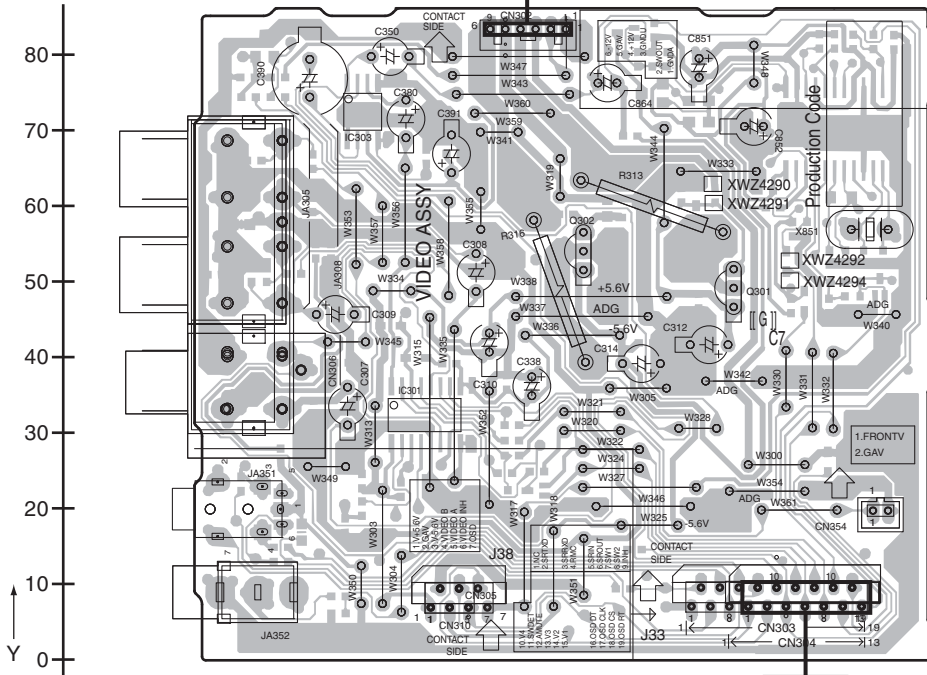
1 2 3 4

SIDE A

SIDE A

P VIDEO ASSY

C CN803

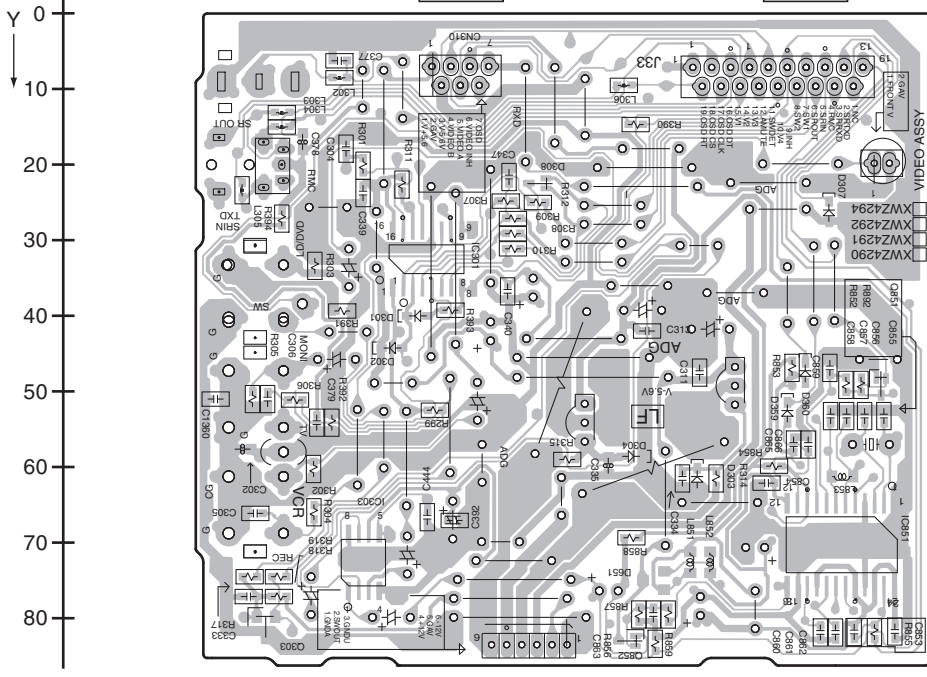


SIDE B

P VIDEO ASSY

CN310

CN304



CN302

(XNP3125-B)

P

P

1 2 3 4

12. ELECTRICAL PARTS LIST

NOTES: ● Parts marked by "NSP" are generally unavailable because they are not in our Master Spare Parts List.

● The Δ mark found on some component parts indicates the importance of the safety factor of the part.

Therefore, when replacing, be sure to use parts of identical designation.

● When ordering resistors, first convert resistance values into code form as shown in the following examples.

Ex.1 When there are 2 effective digits (any digit apart from 0), such as 560 ohm and 47k ohm (tolerance is shown by J=5%, and K=10%).

560 Ω \rightarrow 56 x 10¹ \rightarrow 561 RD1/4PU561J

47k Ω \rightarrow 47 x 10³ \rightarrow 473 RD1/4PU473J

0.5 Ω \rightarrow R50 RN2HR50K

1 Ω \rightarrow 1R0 RS1P1R0K

Ex.2 When there are 3 effective digits (such as in high precision metal film resistors).

5.62k Ω \rightarrow 562 x 10¹ \rightarrow 5621 RN1/4PC5621F

● Meaning of the figures and others in the parentheses in the parts list.

Example) IC 301 is on the point (face A, 91 of x-axis, and 111 of y-axis) of the corresponding PC board.

IC 301 (A, 91, 111) IC NJM2068V

Mark No.	Description	Part No.	Mark No.	Description	Part No.
LIST OF ASSEMBLIES			IC 9002 (A,104,42)	EEPROM	BR24L16FV-W
1..MAIN ASSY		XWK3356	Q 248 (A,53,103)	TRANSISTOR	2SC4081
			Q 249 (A,61,107)	TRANSISTOR	RT1N241M
1..DSP ASSY		AWX8980	Q 250 (A,60,112)	TRANSISTOR	2SC4081
NSP 1..AMP ASSY		XWK3346	Q 252 (A,65,105)	TRANSISTOR	2SD1858X
2..POWER PACK ASSY		XWZ4323	Q 253 (A,53,99)	TRANSISTOR	RT1N241M
2..TRANS2 ASSY		XWZ4334	Q 254 (B,61,103)	DIGITAL TR(SC-70)	RT1P241M
2..TRANS3 ASSY		XWZ4337	Q 255 (A,61,99)	TRANSISTOR	RT1N241M
2..5.1CH INPUT ASSY		XWZ4341	Q 256 (A,61,95)	CHIP TRANSISTOR	2SD2704K
2..BIND ASSY		XWZ4344	Q 257 (A,76,112)	TRANSISTOR	2SA1576A
NSP 1..COMPLEX ASSY		XWK3332	Q 361 (A,181,72)	TRANSISTOR	2SC5938A
2..FRONT DISPLAY ASSY		XWZ4283	Q 9001 (A,91,94)	DIGITAL TR(SC-70)	RT1N431M
2..ROTARY ENCODER ASSY		XWZ4286	Q 9002 (A,66,80)	DIGITAL TR(SC-70)	RT1P241M
2..POWER KEY ASSY		XWZ4287	Q 9003 (A,65,75)	DIGITAL TR(SC-70)	RT1P241M
2..JOG ASSY		XWZ4289	Q 9007 (A,69,85)	TRANSISTOR	DTC143TK
2..VIDEO ASSY		XWZ4291	Q 9064 (A,59,80)	DIGITAL TR(SC-70)	RT1P241M
2..FRONT MINI JACK ASSY		XWZ4296	Q 9065 (A,55,78)	TRANSISTOR	UMD2N
2..DIGITAL INPUT ASSY		XWZ4298	D 103 (B,177,35)	DIODE	DAN217U
2..PRIMARY ASSY		XWZ4302	D 105 (B,170,35)	DIODE	DAN217U
2..REGULATOR ASSY		XWZ4315	D 107 (B,174,37)	DIODE	DAN217U
2..HEAD PHONE ASSY		XWZ4321	D 251 (A,138,88)	DIODE	DAN217U
1..FM/AM TUNER UNIT		AXX7170	D 253 (B,55,108)	DIODE	UDZS27(B)
			D 254 (A,72,113)	DIODE	UDZS5R1(B)

Mark No.	Description	Part No.
----------	-------------	----------

COMPLEX ASSY

MISCELLANEOUS

J 41	JUMPER WIRE	D15A03-100-2651
J 42	JUMPER WIRE	D15A05-125-2651
J 44	JUMPER WIRE	D15A03-100-2651

A MAIN ASSY

MISCELLANEOUS

IC 103 (A,215,73)	DUAL OP-AMP	NJM4565MD
IC 104 (A,198,56)	DUAL OP-AMP	NJM4565MD
IC 105 (A,217,87)	DUAL OP-AMP	NJM4565MD
IC 108 (B,253,65)	6CH E-VOL IC	BD3474KS2
IC 251 (A,134,89)	DUAL OP-AMP	NJM4565MD
IC 5001 (A,69,19)	RDS DECODER IC	LC72725KM
IC 9001 (B,82,64)	SYSTEM CONTROL MICON	PEG468C

D 311 (B,258,96)	DIODE	1SS355
D 312 (B,269,98)	DIODE	1SS355
D 331 (B,254,91)	DIODE	UDZS6R8(B)
D 332 (B,271,91)	DIODE	UDZS6R8(B)
D 9006 (B,99,89)	DIODE	DAN217U
D 9007 (B,91,89)	DIODE	DAN217U
D 9010 (A,97,93)	DIODE	1SS355
D 9011 (A,60,75)	DIODE	DAN202U
D 9064 (A,58,75)	DIODE	DAP202U
D 9065 (A,63,80)	DIODE	DAP202U

D 9068 (A,50,81)	DIODE	1SS355
L 101 (B,260,98)	CHIP SOLID INDUCTOR	QTL1013
L 102 (B,267,97)	CHIP SOLID INDUCTOR	QTL1013
L 5002 (A,257,104)	CHIP SOLID INDUCTOR	QTL1013
L 9001 (A,124,102)	CHIP SOLID INDUCTOR	ATL7002
L 9002 (A,120,103)	CHIP SOLID INDUCTOR	ATL7002
L 9003 (A,86,97)	RADIAL INDUCTOR	LFC2R2J
X 5001 (A,67,27)	CRYSTAL RESONATOR (4.332 MHz)	ASS7004

Mark No.	Description	Part No.	Mark No.	Description	Part No.
X 9001	(A,96,53) CERAMIC RESONATOR (15.7 MHz)	XSS3004	R 252	(B,216,76)	RS1/16S182J
CN 101	(A,41,27) CONNECTOR	9604S-17C	R 261	(A,189,53)	RS1/16S473J
CN 103	(A,227,17) 11P CONNECTOR	52044-1145	R 262	(A,189,59)	RS1/16S473J
CN 105	(A,266,34) CONNECTOR	9604S-07C	R 264	(B,186,60)	RS1/16S392J
CN 108	3P JUMPER CONNECTOR	52147-0310	R 265	(B,188,53)	RS1/16S332J
CN 109	(A,213,113) 15P SOCKET	XKP3090	R 266	(B,188,60)	RS1/16S472J
CN 110	(A,169,113) 17P SOCKET	XKP3059	R 267	(B,190,53)	RS1/16S332J
CN 111	(A,274,113) 21P SOCKET	XKP3091	R 268	(B,190,60)	RS1/16S123J
CN 112	(A,91,41) CONNECTOR	9604S-15C	R 269	(B,197,53)	RS1/16S332J
CN 125	(A,302,42) 6P PIN JACK	XKB3055	R 270	(B,197,60)	RS1/16S122J
CN 130	(A,247,13) 13P FFC CONNECTOR	9604S-13C	R 271	(B,199,53)	RS1/16S182J
CN 142	(A,302,98) 8P PIN JACK	XKB3067	R 272	(B,199,60)	RS1/16S272J
CN 251	(A,39,92) 3P JUMPER CONNECTOR	52147-0310	R 274	(B,202,60)	RS1/16S271J
CN 252	(A,37,77) 3P TOP POST	B3B-EH	R 280	(B,53,104)	RS1/16S0R0J
101	PCB BINDER	VEF1040	R 303	(B,163,37)	RS1/16S101J
			R 304	(B,158,49)	RS1/16S101J
			R 305	(B,163,49)	RS1/16S101J
			R 306	(B,164,61)	RS1/16S101J
RESISTORS					
R 103	(B,283,62)	RS1/16S222J	R 307	(B,165,68)	RS1/16S101J
R 104	(B,283,52)	RS1/16S222J	R 308	(B,173,73)	RS1/16S101J
R 105	(B,283,48)	RS1/16S331J	R 311	(A,258,102) METAL OXIDE RESISTOR	RS1LMF101J
R 106	(B,293,40)	RS1/16S331J	R 312	(A,266,102) METAL OXIDE RESISTOR	RS1LMF101J
R 107	(B,283,88)	RS1/16S331J	R 430	(A,137,91)	RS1/16S104J
R 108	(B,293,81)	RS1/16S331J	R 431	(A,130,95)	RS1/16S104J
R 109	(B,283,75)	RS1/16S331J	R 432	(A,130,100)	RS1/16S104J
R 110	(B,293,68)	RS1/16S331J	R 433	(A,137,99)	RS1/16S683J
R 111	(B,283,112)	RS1/16S222J	R 434	(A,136,94)	RS1/16S393J
R 112	(B,283,106)	RS1/16S222J	R 435	(A,134,97)	RS1/16S683J
R 113	(B,283,101)	RS1/16S331J	R 436	(A,137,102)	RS1/16S683J
R 114	(B,293,96)	RS1/16S331J	R 437	(A,53,106)	RS1/16S103J
R 129	(B,283,34)	RS1/16S331J	R 438	(A,54,110)	RS1/16S103J
R 130	(B,283,25)	RS1/16S331J	R 439	(A,56,110)	RS1/16S103J
R 145	(A,70,73)	RS1/16S102J	R 440	(A,63,113)	RS1/16S103J
R 146	(A,71,74)	RS1/16S102J	R 441	(A,146,94)	RS1/16S222J
R 147	(B,231,59)	RS1/16S102J	R 442	(A,149,95)	RS1/16S104J
R 148	(B,233,51)	RS1/16S102J	R 443	(B,57,108)	RS1/16S471J
R 149	(B,263,57)	RS1/16S104J	R 444	(A,139,91)	RS1/16S104J
R 180	(B,278,97)	RS1/16S0R0J	R 445	(A,55,101)	RS1/16S223J
R 181	(B,273,78)	RS1/16S0R0J	R 447	(A,65,96)	RS1/16S472J
R 182	(B,275,75)	RS1/16S0R0J	R 448	(A,70,113)	RS1/16S104J
R 183	(B,276,67)	RS1/16S0R0J	R 449	(A,65,113)	RS1/16S822J
R 201	(A,208,85)	RS1/16S473J	R 452	(A,153,44)	RS1/16S0R0J
R 202	(A,207,90)	RS1/16S473J	R 459	(B,139,38)	RS1/16S103J
R 205	(B,208,85)	RS1/16S392J	R 460	(B,139,43)	RS1/16S103J
R 206	(B,208,91)	RS1/16S392J	R 464	(A,65,100)	RS1/16S0R0J
R 207	(B,210,85)	RS1/16S392J	R 467	(A,146,36)	RS1/16S0R0J
R 208	(B,210,91)	RS1/16S392J	R 471	(A,152,51)	RS1/16S0R0J
R 209	(B,216,85)	RS1/16S392J	R 472	(A,156,63)	RS1/16S0R0J
R 210	(B,216,91)	RS1/16S392J	R 479	(B,142,57)	RS1/16S103J
R 211	(B,219,85)	RS1/16S332J	R 480	(B,142,62)	RS1/16S103J
R 212	(B,219,91)	RS1/16S332J	R 484	(A,173,70)	RS1/16S104J
R 241	(A,206,70)	RS1/16S473J	R 485	(A,170,77)	RS1/16S472J
R 242	(A,206,75)	RS1/16S473J	R 499	(B,146,69)	RS1/16S103J
R 245	(B,205,70)	RS1/16S332J	R 500	(B,140,79)	RS1/16S103J
R 246	(B,205,76)	RS1/16S332J	R 549	(B,159,69)	RS1/16S0R0J
R 247	(B,207,70)	RS1/16S332J	R 550	(A,153,84)	RS1/16S0R0J
R 248	(B,207,76)	RS1/16S332J	R 551	(A,67,113)	RS1/16S822J
R 249	(B,214,70)	RS1/16S332J	R 5010	(A,75,24)	RS1/16S473J
R 250	(B,214,76)	RS1/16S332J	R 5011	(A,81,19)	RS1/16S473J
R 251	(B,216,70)	RS1/16S182J			

<u>Mark No.</u>	<u>Description</u>	<u>Part No.</u>	<u>Mark No.</u>	<u>Description</u>	<u>Part No.</u>
R 5012 (A,82,17)		RS1/16S102J	C 104 (B,296,51)		CCSRCH101J50
R 5013 (A,57,27)		RS1/16S102J	C 105 (B,293,45)		CCSRCH101J50
R 9001 (B,94,54)		RS1/16SOR0J	C 106 (B,296,40)		CCSRCH101J50
R 9002 (A,98,94)		RS1/16S473J	C 107 (B,293,86)		CCSRCH101J50
R 9003 (B,92,54)		RS1/16SOR0J	C 108 (B,296,81)		CCSRCH101J50
R 9006 (B,103,89)		RS1/16S474J	C 109 (B,293,72)		CCSRCH101J50
R 9007 (B,93,89)		RS1/16S474J	C 110 (B,296,68)		CCSRCH101J50
R 9008 (A,80,109)		RS1/16S221J	C 111 (B,296,111)		CCSRCH101J50
R 9009 (A,65,85)		RS1/16S473J	C 112 (B,297,107)		CCSRCH101J50
R 9010 (B,107,48)		RS1/16S512J	C 113 (B,293,100)		CCSRCH101J50
R 9011 (A,63,76)		RS1/16S102J	C 114 (B,296,96)		CCSRCH101J50
R 9012 (A,63,73)		RS1/16SOR0J	C 115 (B,262,98)		CKSRYB103K50
R 9013 (B,112,45)		RS1/16S471J	C 116 (B,264,97)		CKSRYB103K50
R 9014 (B,104,54)		RS1/16S471J	C 117 (B,283,116)		CCSRCH220J50
R 9015 (B,102,54)		RS1/16S471J	C 118 (B,285,109)		CCSRCH220J50
R 9016 (B,100,54)		RS1/16S471J	C 121 (A,280,34)		CEAT100M50
R 9017 (B,98,54)		RS1/16S471J	C 122 (A,280,25)		CEAT100M50
R 9018 (B,96,54)		RS1/16S471J	C 123 (A,280,19)		CEAT100M50
R 9019 (B,98,76)		RS1/16S471J	C 124 (A,280,11)		CEAT100M50
R 9020 (B,99,76)		RS1/16S471J	C 125 (A,280,62)		CEAT100M50
R 9021 (B,101,76)		RS1/16S471J	C 126 (A,280,53)		CEAT100M50
R 9022 (B,103,76)		RS1/16S471J	C 127 (A,280,47)		CEAT100M50
R 9023 (B,112,67)		RS1/16S103J	C 128 (A,280,40)		CEAT100M50
R 9025 (B,103,67)		RS1/16S152J	C 131 (A,280,87)		CEAT100M50
R 9026 (B,106,67)		RS1/16S103J	C 132 (A,280,80)		CEAT100M50
R 9028 (B,118,45)		RS1/16S104J	C 133 (A,280,74)		CEAT100M50
R 9030 (A,68,79)		RS1/16S470J	C 134 (A,280,67)		CEAT100M50
R 9031 (A,65,54)		RS1/16S104J	C 135 (A,280,114)		CEAT100M50
R 9032 (A,62,53)		RS1/16S104J	C 136 (A,280,106)		CEAT100M50
R 9033 (B,89,48)		RS1/16S104J	C 137 (A,280,101)		CEAT100M50
R 9036 (A,90,89)		RS1/16S221J	C 138 (A,280,93)		CEAT100M50
R 9037 (B,75,98)		RS1/16S104J	C 139 (A,50,101)		CEAT100M50
R 9039 (A,87,57)		RS1/16S104J	C 140 (A,50,94)		CEAT100M50
R 9041 (B,116,45)		RS1/16S104J	C 141 (B,236,50)		CKSRYB104K50
R 9042 (B,83,81)		RS1/16S103J	C 145 (B,238,54)		CCSRCH101J50
R 9043 (B,81,81)		RS1/16S103J	C 146 (B,238,50)		CCSRCH101J50
R 9044 (B,79,81)		RS1/16S103J	C 147 (A,249,68)		CKSRYB103K50
R 9045 (A,97,46)		RS1/16S471J	C 148 (B,229,61)		CKSRYB223K25
R 9046 (A,107,46)		RS1/16S471J	C 149 (B,240,59)		CKSRYB473K25
R 9047 (A,98,46)		RS1/16S103J	C 150 (B,237,59)		CKSQYB154K16
R 9048 (A,98,43)		RS1/16S103J	C 151 (B,234,62)		CKSRYB103K50
R 9053 (A,102,29)		RS1/16S221J	C 152 (B,235,54)		CKSRYB223K25
R 9060 (B,98,68)		RS1/16S473J	C 153 (B,233,56)		CKSRYB473K25
R 9062 (B,87,48)		RS1/16S471J	C 154 (B,230,53)		CKSQYB154K16
R 9064 (A,54,74)		RS1/16S103J	C 155 (A,225,43)		CEAT470M25
R 9065 (A,56,74)		RS1/16S103J	C 165 (A,236,86)		CEAT1ROM50
R 9066 (A,62,72)		RS1/16S103J	C 166 (A,243,86)		CEAT1ROM50
R 9067 (A,59,83)		RS1/16S103J	C 179 (B,294,76)		CKSRYB103K50
R 9071 (B,70,50)		RS1/16S221J	C 180 (A,277,19)		CKSRYB103K50
R 9072 (B,64,50)		RS1/16S221J	C 181 (A,283,30)		CCSRCH101J50
R 9073 (A,74,56)		RS1/16S221J	C 182 (B,285,28)		CCSRCH101J50
R 9074 (A,79,52)		RS1/16S221J	C 185 (B,283,44)		CCSRCH101J50
R 9081 (A,119,73)		RS1/16S221J	C 186 (B,288,42)		CCSRCH101J50
R 9082 (A,121,71)		RS1/16S274J	C 187 (B,283,84)		CCSRCH101J50
R 9091 (A,132,39)		RS1/16SOR0J	C 188 (B,285,83)		CCSRCH101J50
R 9092 (A,129,38)		RS1/16SOR0J	C 189 (B,283,71)		CCSRCH101J50
R 9093 (A,133,51)		RS1/16SOR0J	C 190 (B,287,70)		CCSRCH101J50
			C 191 (B,283,97)		CCSRCH101J50
			C 192 (B,285,96)		CCSRCH101J50

CAPACITORS

C 103 (B,295,56)

CCSRCH101J50

Mark No.	Description	Part No.
C 197	(B,292,29)	CCSRCH101J50
C 198	(B,294,25)	CCSRCH101J50
C 199	(A,281,50)	CKSRYP103K50
C 201	(A,202,85)	CEAT2R2M50
C 202	(A,203,92)	CEAT2R2M50
C 205	(A,212,85)	CCSRCH331J50
C 206	(A,212,90)	CCSRCH331J50
C 207	(B,212,85)	CCSRCH331J50
C 208	(B,212,91)	CCSRCH331J50
C 217	(A,221,85)	CKSRYP103K50
C 218	(A,221,90)	CKSRYP103K50
C 241	(A,200,71)	CEAT2R2M50
C 242	(A,200,78)	CEAT2R2M50
C 245	(A,211,70)	CCSRCH331J50
C 246	(A,211,75)	CCSRCH331J50
C 247	(B,209,70)	CCSRCH331J50
C 248	(B,209,76)	CCSRCH331J50
C 251	(A,219,68)	CKSRYP103K50
C 252	(A,219,75)	CKSRYP103K50
C 253	(A,130,91)	CKSRYP103K50
C 254	(A,157,96)	CEAT101M25
C 256	(A,135,84)	CKSRYP103K50
C 261	(A,183,54)	CEAT2R2M50
C 262	(A,183,62)	CEAT2R2M50
C 264	(A,191,59)	CCSRCH331J50
C 265	(A,194,53)	CCSRCH331J50
C 266	(A,194,59)	CCSRCH221J50
C 267	(B,193,53)	CCSRCH331J50
C 268	(B,193,60)	CCSRCH101J50
C 271	(A,202,53)	CKSRYP103K50
C 272	(A,202,58)	CKSRYP103K50
C 325	(A,143,39) ELECT. CAPACITOR	CEAT220M50
C 326	(A,143,46) ELECT. CAPACITOR	CEAT220M50
C 333	(A,251,93)	CEAT101M10
C 334	(A,268,81)	CEAT101M10
C 345	(A,145,57) ELECT. CAPACITOR	CEAT220M50
C 346	(A,145,64) ELECT. CAPACITOR	CEAT220M50
C 362	(A,185,79)	CEAT100M50
C 365	(A,142,73) ELECT. CAPACITOR	CEAT220M50
C 366	(A,142,80) ELECT. CAPACITOR	CEANP4R7M50
C 392	(B,91,97)	CKSRYP102K50
C 1031	(A,286,65)	CCSRCH220J50
C 1041	(B,287,55)	CCSRCH220J50
C 5001	(B,230,10)	CKSRYP102K50
C 5002	(B,232,10)	CKSRYP103K50
C 5003	(B,234,10)	CKSRYP105K10
C 5011	(A,77,16)	CEJQ100M50
C 5013	(A,61,28)	CCSRCH270J50
C 5014	(A,63,28)	CCSRCH270J50
C 5015	(A,59,20)	CEJQ470M16
C 5016	(A,62,22)	CKSRYP103K50
C 5017	(A,73,14)	CCSRCH561J50
C 5020	(A,69,13)	CKSRYP472K50
C 5025	(A,159,11)	CKSRYP102K50
C 5026	(A,162,12)	CKSRYP102K50
C 5027	(A,167,14)	CKSRYP102K50
C 5028	(A,180,15)	CCSRCH220J50
C 9004	(B,84,88)	CKSRYP103K50
C 9005	(A,78,106)	CEJQ2R2M50
C 9006	(A,95,93)	CKSRYP105K10

Mark No.	Description	Part No.
C 9007	(A,79,92) ELECT. CAPACITOR	CEAT331M6R3
C 9008	(B,77,90)	CKSRYP103K50
C 9011	(B,95,89)	CKSRYP473K16
C 9014	(B,87,88)	CKSRYP473K16
C 9015	(A,94,102)	CKSRYP102K50
C 9018	(B,72,72)	CKSRYP104K50
C 9030	(A,272,106)	CEAT101M25
C 9081	(A,121,69)	CKSRYP103K50

B DSP ASSY MISCELLANEOUS

IC 601	(A,109,36) DA I/F TRANSCEIVER	AK4114VQ
IC 701	(A,77,29) CODEC IC	AK4626AVQ
IC 801	(A,37,39) DSP IC	DSPC56371AF180
IC 802	(A,33,26) IC	TC7WU04FU
IC 871	(B,65,43) IC	TC7WH125FU
△ IC 901	(B,114,24) REGULATOR IC	PQ1LAX95MSPQ
△ IC 902	(A,99,24) REGULATOR IC	PQ1LAX95MSPQ
IC 952	(A,16,32) IC	TC74VHCT541AFTS1
D 701	(A,81,19) DIODE	MA152WA
D 702	(B,82,18) DIODE	MA152WK
D 901	(B,107,21) DIODE	UDZS5R6(B)
D 902	(B,102,20) DIODE	UDZS5R6(B)
L 601	(B,103,41) CHIP SOLID INDUCTOR	QTL1013
L 602	(A,100,36) CHIP SOLID INDUCTOR	QTL1013
L 701	(B,68,30) CHIP SOLID INDUCTOR	QTL1013
L 702	(A,93,22) CHIP SOLID INDUCTOR	QTL1013
L 801	(A,37,25) CHIP SOLID INDUCTOR	QTL1013
L 802	(A,42,29) CHIP SOLID INDUCTOR	ATL7002
L 803	(A,51,42) CHIP SOLID INDUCTOR	ATL7002
L 804	(B,29,34) CHIP SOLID INDUCTOR	QTL1013
L 871	(B,69,45) CHIP SOLID INDUCTOR	QTL1013
L 901	(B,105,18) CHIP SOLID INDUCTOR	ATL7002
L 902	(B,100,18) CHIP SOLID INDUCTOR	ATL7002
L 952	(A,21,28) CHIP SOLID INDUCTOR	QTL1013
JA 501	(A,142,22) JACK	AKB7131
X 801	(A,23,22) CRYSTAL RESONATOR (24.576 MHz)	XSS3003
CN 603	(A,107,50) 5P CONNECTOR	VKN1236
CN 701	(A,83,14) 19P SOCKET	XKP3080
CN 901	(A,116,14) 13P SOCKET	XKP3077
CN 951	(A,45,14) 15P SOCKET	XKP3078

RESISTORS

R 403	(A,122,42)	RS1/16SS0R0J
R 501	(B,131,16)	RS1/16S750J
R 502	(B,134,30)	RS1/16S750J
R 516	(B,114,36)	RS1/16S100J
R 517	(B,130,30)	RS1/16S100J
R 572	(A,92,40)	RS1/16S0R0J
R 573	(A,91,44)	RS1/16SS0R0J
R 574	(A,76,42)	RS1/16SS0R0J
R 575	(A,76,40)	RS1/16SS0R0J
R 576	(A,78,44)	RS1/16SS0R0J
R 604	(B,114,46)	RS1/16S104J
R 605	(B,112,46)	RS1/16S104J
R 606	(B,110,46)	RS1/16S104J
R 612	(A,117,33)	RS1/16S0R0J
R 614	(A,102,38)	RS1/16SS101J

<u>Mark No.</u>	<u>Description</u>	<u>Part No.</u>	<u>Mark No.</u>	<u>Description</u>	<u>Part No.</u>
R 615	(A,104,30)	RS1/16SS470J	R 921	(A,101,20)	RS1/16S1202F
R 616	(A,102,34)	RS1/16SS101J	R 922	(A,98,20) CHIP RESISTOR	RS1/16S1000F
R 617	(B,105,31)	RS1/16S101J	R 951	(B,25,33)	RS1/16S101J
R 618	(B,107,31)	RS1/16S101J	R 952	(B,23,33)	RS1/16S101J
R 620	(A,106,30)	RS1/16SS470J	R 953	(B,21,33)	RS1/16S101J
R 621	(B,108,36)	RS1/16S220J	R 954	(A,17,26) RESISTOR ARRAY	RAB4CQ101J
R 624	(A,112,28) RESISTOR ARRAY	RAB4CQ101J	R 955	(A,14,26) RESISTOR ARRAY	RAB4CQ101J
R 627	(B,112,32)	RS1/16S103J	R 962	(A,32,18) RESISTOR ARRAY	RAB4CQ104J
R 628	(A,117,38)	RS1/16S1802F	R 970	(A,37,18) RESISTOR ARRAY	RAB4CQ104J
R 665	(A,99,58)	RS1/16SS0R0J	R 981	(A,14,38)	RS1/16SS0R0J
R 666	(A,98,58)	RS1/16SS0R0J	R 982	(A,15,38)	RS1/16SS0R0J
R 667	(A,97,58)	RS1/16SS0R0J	CAPACITORS		
R 701	(B,78,35)	RS1/16S470J	C 503	(B,127,16)	CKSRYB103K50
R 702	(B,75,35)	RS1/16S101J	C 504	(B,132,30)	CKSRYB103K50
R 704	(B,70,27)	RS1/16S4R7J	C 606	(A,102,40)	CKSRYB104K16
R 705	(A,60,18)	RS1/16SS101J	C 607	(A,96,39)	CEVW470M6R3
R 706	(A,63,18)	RS1/16SS101J	C 608	(A,101,36)	CCSRCH471J50
R 707	(A,65,18)	RS1/16SS101J	C 609	(A,102,36)	CKSRYB104K16
R 708	(A,68,18)	RS1/16SS101J	C 614	(B,110,32)	CKSRYB104K16
R 709	(A,70,18)	RS1/16SS101J	C 617	(B,114,32)	CKSRYB102K50
R 710	(A,73,18)	RS1/16SS101J	C 618	(A,117,28)	CEVW470M6R3
R 711	(A,75,18)	RS1/16SS101J	C 619	(A,118,35)	CKSSYB104K10
R 712	(A,78,18)	RS1/16SS101J	C 620	(A,116,35)	CCSRCH471J50
R 713	(A,86,30)	RS1/16S470J	C 621	(A,116,38)	CKSRYB474K10
R 714	(A,85,36) RESISTOR ARRAY	RAB4CQ101J	C 701	(A,67,32)	CKSSYB103K16
R 801	(A,48,48)	RS1/16SS470J	C 703	(A,64,23)	CEVW101M16
R 802	(A,40,50) RESISTOR ARRAY	RAB4CQ101J	C 704	(A,67,29)	CKSRYB104K16
R 803	(B,44,48)	RS1/16S103J	C 705	(A,68,30)	CCSSCH101J50
R 804	(B,42,48)	RS1/16S103J	C 706	(B,66,26)	CKSRYB104K16
R 805	(B,39,42)	RS1/16S103J	C 707	(B,60,19)	CKSRYB471K50
R 806	(B,37,42)	RS1/16S103J	C 708	(B,63,19)	CKSRYB471K50
R 807	(B,35,42)	RS1/16S473J	C 709	(B,65,19)	CKSRYB471K50
R 810	(A,26,39)	RS1/16SS473J	C 710	(B,68,19)	CKSRYB471K50
R 811	(A,24,37)	RS1/16SS472J	C 711	(B,70,19)	CKSRYB471K50
R 812	(B,27,43)	RS1/16S101J	C 712	(B,73,19)	CKSRYB471K50
R 813	(A,24,34)	RS1/16SS103J	C 713	(B,75,19)	CKSRYB471K50
R 815	(A,25,26)	RS1/16SS105J	C 714	(B,78,19)	CKSRYB471K50
R 816	(A,23,26)	RS1/16SS471J	C 715	(A,90,29)	CEVW101M16
R 817	(A,34,28)	RS1/16SS101J	C 716	(A,86,27)	CKSRYB104K16
R 818	(B,35,23)	RS1/16S220J	C 717	(A,85,27)	CKSSYB471K50
R 819	(B,26,29)	RS1/16S101J	C 718	(A,87,20)	CEVW470M6R3
R 820	(B,28,29)	RS1/16S0R0J	C 720	(A,85,24)	CKSSYB104K10
R 822	(B,36,30)	RS1/16S103J	C 763	(B,53,36)	CKSRYB471K50
R 823	(B,36,36)	RS1/16S473J	C 764	(B,55,36)	CKSRYB104K16
R 827	(B,48,38)	RS1/16S470J	C 802	(A,42,50)	CKSSYB104K10
R 831	(B,42,31)	RS1/16S470J	C 803	(A,37,49)	CKSSYB471K50
R 832	(A,47,41)	RS1/16SS470J	C 804	(A,37,50)	CKSSYB104K10
R 833	(A,48,45) RESISTOR ARRAY	RAB4CQ470J	C 806	(A,31,50)	CKSSYB104K10
R 840	(A,24,33)	RS1/16SS101J	C 808	(A,26,43)	CKSSYB104K10
R 841	(A,67,38)	RS1/16S473J	C 809	(A,27,41)	CKSSYB471K50
R 852	(B,43,27)	RS1/16S222J	C 810	(A,26,41)	CKSSYB104K10
R 871	(B,59,36)	RS1/16S470J	C 814	(A,27,33)	CKSSYB471K50
R 872	(B,61,36)	RS1/16S470J	C 815	(A,25,33)	CKSSYB104K10
R 873	(B,61,44)	RS1/16S470J	C 816	(A,21,26)	CCSSCH5R0C50
R 874	(B,59,44)	RS1/16S470J	C 817	(A,27,26)	CCSSCH5R0C50
R 905	(B,118,17)	RS1/16S104J	C 818	(A,35,23)	CCSRCH471J50
R 906	(B,120,15)	RS1/16S104J	C 819	(A,35,22)	CKSSYB104K10
R 908	(A,123,13)	RS1/16SS0R0J	C 821	(A,30,30)	CKSSYB471K50
R 919	(A,113,20)	RS1/16S1202F			
R 920	(A,115,20)	RS1/16S2002F			

Mark No.	Description	Part No.	Mark No.	Description	Part No.
C 822 (A,30,29)		CKSSYB104K10	D 601 (A,127,57)	DIODE	1SS133
C 823 (A,32,30)		CKSSYB471K50			
C 824 (A,32,28)		CKSSYB104K10	D 603 (A,121,57)	DIODE	1SS133
C 825 (B,32,39)		CKSRYP103K50	D 606 (A,260,57)	DIODE	1SS133
			D 608 (A,253,52)	DIODE	1SS133
C 826 (A,38,29)		CKSSYB471K50	D 652 (A,262,57)	DIODE	1SS133
C 827 (A,38,28)		CKSSYB104K10	D 654 (A,242,52)	DIODE	1SS133
C 829 (A,47,36)		CKSSYB104K10			
C 830 (A,47,39)		CKSSYB471K50	D 683 (A,132,57)	DIODE	1SS133
C 831 (A,48,39)		CKSSYB104K10	D 684 (A,65,72)	DIODE	1SS133
			D 701 (A,9,88)	DIODE	D5SBA20(B)
C 833 (A,48,43)		CKSSYB104K10	D 711 (A,195,103)	ZENER DIODE	MTZJ22D
C 834 (A,41,23)		CEVW101M16	D 712 (A,191,103)	DIODE	MTZJ6R8(B)
C 835 (A,57,42)	CHIP ELECT.CAPACITOR	CEVW101M4			
C 872 (B,70,41)		CKSRYP104K16	D 713 (A,114,77)	DIODE	1SS133
C 907 (B,110,23)		CKSRYP105K16	D 741 (B,152,136)	DIODE	1SS355
			D 742 (B,167,140)	DIODE	1SS355
C 908 (A,115,22)		CKSRYP105K16	D 743 (B,121,129)	DIODE	1SS355
C 909 (B,97,26)		CKSRYP105K16	D 744 (B,138,139)	DIODE	1SS355
C 910 (B,97,22)		CKSRYP105K16			
C 916 (B,69,34)		CKSRYP471K50	D 745 (B,115,129)	DIODE	1SS355
C 917 (B,71,34)		CKSRYP103K50	D 751 (B,168,135)	DIODE	1SS355
			D 752 (B,170,135)	DIODE	1SS355
C 918 (B,81,36)		CKSRYP104K16	D 753 (B,138,132)	DIODE	1SS355
C 919 (B,82,36)		CKSRYP471K50	D 754 (B,141,132)	DIODE	1SS355
C 955 (A,22,31)		CKSRYP104K16			
			D 757 (B,70,136)	DIODE	1SS355
			D 758 (B,73,136)	DIODE	1SS355
			D 777 (A,130,57)	DIODE	1SS133
			D 778 (A,110,57)	DIODE	1SS133
			D 801 (B,222,113)	BRIDGE DIODE	S1WB(A)60SD
			D 806 (A,283,65)	DIODE	MTZJ6R2(B)
			D 807 (A,280,70)	DIODE	1SS133
			D 827 (A,262,132)	DIODE	MTZJ6R2(B)
			D 828 (A,227,99)	DIODE	MTZJ6R2(B)
			D 829 (A,239,128)	DIODE	D3SBA20(B)
			L 751 (A,160,108)	COIL	ATH1004
			L 752 (A,173,108)	COIL	ATH1004
			L 753 (A,120,107)	COIL	ATH1004
			L 761 (A,130,108)	COIL	ATH1004
			L 762 (A,142,108)	COIL	ATH1004
			J 43	11P PARALLEL WIRE	XDX3066
			KN 601 (A,65,23)	WRAPPING TERMINAL	VNF1084
			RY 501 (A,75,132)	RELAY	ASR7001
			RY 751 (A,173,130)	RELAY	ASR7001
			RY 752 (A,141,126)	RELAY	ASR7001
			RY 753 (A,117,120)	RELAY	ASR7001
			CN 701 (A,212,134)	11PJUMPER CONNECTOR	52147-1110
			CN 702 (A,200,106)	6P JUMPER CONNECTOR	52147-0610
			CN 704 (A,290,45)	17P PLUG	XKM3007
			CN 751	SP TERMINAL 4-P(V0)	XKE3044
			CN 752	SP TERMINAL 6-P(V0)	XKE3049
			CN 803 (A,224,129)	6P PLUG	KM200TA6
			CN 805 (A,317,153)	13P PLUG	XKP3066
			CN 807 (A,317,82)	15P PLUG	XKP3067
			CN 813 (A,310,38)	CONNECTOR	9604S-15C
			CN 815 (A,290,89)	15P PLUG	XKM3010
			CN 816 (A,290,126)	21P PLUG	XKM3011
			CN 827	19P PLUG	XKP3069
			810 (A,277,90)	11P CABLE HOLDER	51048-1100
C POWER PACK ASSY MISCELLANEOUS Δ IC 601 (A,265,14) 2CH POWER IC PAC014A Δ IC 603 (A,137,14) 3CH POWER IC PAC015A Δ IC 610 (A,59,28) PROTECTOR(1A) AEK7009 Δ IC 701 (A,100,80) IC PROTECTOR ICP-N10 Δ IC 702 (A,84,81) IC PROTECTOR ICP-N10 Δ IC 803 (B,238,93) IC BA05FP Δ IC 804 (A,279,111) REGULATOR IC KIA7809API Δ IC 805 (B,270,132) LDO REGULATOR(5V) NJM2831F05 Q 501 (B,91,38) TRANSISTOR 2SC5938A Q 505 (A,116,47) TRANSISTOR 2SC2240 Q 601 (B,94,44) TRANSISTOR 2SC5938A Q 602 (B,224,43) TRANSISTOR 2SC5938A Q 605 (A,123,40) TRANSISTOR 2SC2240 Q 606 (A,252,40) TRANSISTOR 2SC2240 Q 652 (B,219,37) TRANSISTOR 2SC5938A Q 656 (A,244,47) TRANSISTOR 2SC2240 Q 681 (B,82,48) TRANSISTOR 2SC5938A Q 683 (A,59,65) TRANSISTOR 2SC2240 Q 696 (B,282,24) TRANSISTOR 2SC4081 Q 697 (B,282,29) TRANSISTOR 2SC4081 Q 698 (B,246,67) TRANSISTOR RT1N241M Δ Q 701 (A,110,72) TRANSISTOR 2SC5511 Δ Q 702 (A,96,86) TRANSISTOR 2SA2005 Q 703 (A,155,76) TRANSISTOR 2SA1145 Q 704 (A,166,79) TRANSISTOR 2SC2240 Q 721 (A,142,72) TRANSISTOR 2SA1145 Q 722 (A,161,74) TRANSISTOR 2SC2240 Q 724 (B,291,72) TRANSISTOR RT1N241M Q 803 (B,265,141) DIGITAL TR(SC-70) RT1P241M Q 804 (B,268,141) TRANSISTOR RT1N241M Q 805 (B,274,143) DIGITAL TR(SC-70) RT1P241M Q 806 (B,267,146) TRANSISTOR RT1N241M Q 807 (B,276,53) TRANSISTOR RT3P22M Q 808 (B,283,57) TRANSISTOR RT3N22M			RESISTORS R 601 (A,99,48) RD1/4PU102J R 602 (A,228,42) RD1/4PU102J R 603 (B,96,47) RS1/16S103J		

Mark No.	Description	Part No.	Mark No.	Description	Part No.
R 604	(B,225,47)	RS1/16S103J	R 731	(A,122,73)	RD1/4PU220J
R 609	(A,96,35)	RD1/4PU563J	R 732	(A,101,89)	RD1/4PU220J
			R 740	(B,87,141)	RS1/16S683J
R 610	(A,225,35)	RD1/4PU563J			
R 611	(A,95,28)	RD1/4PU182J	R 741	(B,152,140)	RS1/16S472J
R 612	(A,223,28)	RD1/4PU182J	R 742	(B,169,143)	RS1/16S472J
R 613	(A,119,21)	RD1/4PU563J	R 743	(B,121,134)	RS1/16S472J
R 614	(A,247,21)	RD1/4PU563J	R 744	(B,137,143)	RS1/16S472J
			R 745	(B,110,131)	RS1/16S472J
R 615	(A,128,36)	RD1/4PU331J			
△ R 617	(A,119,31) RESISTOR (0.22, 5W)	ACN7094	△ R 751	(A,158,119) CARBON FILM RESISTOR	RD1/4PUF101J
R 619	(A,124,52)	RD1/4PU182J	△ R 752	(A,185,120) CARBON FILM RESISTOR	RD1/4PUF101J
R 620	(A,257,36)	RD1/4PU331J	△ R 753	(A,156,126) METAL OXIDE RESISTOR	RS1LMF4R7J
R 621	(A,129,49)	RD1/4PU821J	△ R 754	(A,181,126) METAL OXIDE RESISTOR	RS1LMF4R7J
			△ R 755	(A,103,117) CARBON FILM RESISTOR	RD1/4PUF101J
△ R 622	(A,248,31) RESISTOR (0.22, 5W)	ACN7094			
R 623	(A,121,48)	RD1/4PU223J	△ R 756	(A,101,126) METAL OXIDE RESISTOR	RS1LMF4R7J
R 624	(A,257,52)	RD1/4PU182J	△ R 761	(A,125,117) CARBON FILM RESISTOR	RD1/4PUF101J
R 626	(A,258,49)	RD1/4PU821J	△ R 762	(A,155,119) CARBON FILM RESISTOR	RD1/4PUF101J
R 628	(A,250,48)	RD1/4PU223J	△ R 763	(A,124,132) METAL OXIDE RESISTOR	RS1LMF4R7J
			△ R 764	(A,149,139) METAL OXIDE RESISTOR	RS1LMF4R7J
R 652	(A,215,36)	RD1/4PU102J			
R 654	(B,219,41)	RS1/16S103J	R 777	(A,86,37)	RD1/4PU102J
R 660	(A,220,29)	RD1/4PU563J	R 778	(B,90,42)	RS1/16S103J
R 662	(A,216,20)	RD1/4PU182J	R 781	(A,92,30)	RD1/4PU563J
R 664	(A,238,21)	RD1/4PU563J	R 782	(A,89,22)	RD1/4PU182J
			R 783	(A,109,21)	RD1/4PU563J
R 666	(A,240,35)	RD1/4PU331J			
△ R 668	(A,239,31) RESISTOR (0.22, 5W)	ACN7094	R 784	(A,116,35)	RD1/4PU331J
R 670	(A,245,52)	RD1/4PU182J	△ R 785	(A,110,31) RESISTOR (0.22, 5W)	ACN7094
R 672	(A,240,57)	RD1/4PU821J	R 786	(A,113,57)	RD1/4PU182J
R 674	(A,236,38)	RD1/4PU223J	R 787	(A,106,59)	RD1/4PU821J
			R 788	(A,107,38)	RD1/4PU223J
R 681	(A,73,51)	RD1/4PU102J			
R 682	(B,77,49)	RS1/16S103J	R 806	(B,280,48)	RS1/16S103J
R 685	(B,80,37)	RS1/16S563J	R 807	(B,278,48)	RS1/16S103J
R 686	(B,85,21)	RS1/16S182J	R 808	(B,279,53)	RS1/16S102J
R 687	(A,88,11)	RD1/4PU563J	R 813	(B,273,131)	RS1/16S102J
			R 885	(B,310,60)	RS1/16S221J
R 690	(A,60,52)	RD1/4PU331J			
△ R 691	(A,55,55) RESISTOR (0.22, 5W)	ACN7094	R 886	(B,310,64)	RS1/16S221J
R 692	(A,70,72)	RD1/4PU182J	R 887	(B,310,68)	RS1/16S221J
R 693	(A,67,77)	RD1/4PU821J	R 888	(B,324,76)	RS1/16S221J
R 694	(A,62,72)	RD1/4PU223J	R 1101	(B,273,68)	RS1/16S0R0J
			R 1102	(B,274,61)	RS1/16S0R0J
R 696	(B,281,38)	RS1/16S103J			
R 697	(B,255,68)	RS1/16S103J	R 1109	(B,285,58)	RS1/16S0R0J
R 698	(B,243,67)	RS1/16S333J			
R 701	(A,122,85)	RD1/4PU472J			
R 702	(A,109,87)	RD1/4PU472J			
R 703	(A,151,72)	RD1/4PU392J			
R 704	(A,148,77)	RD1/4PU392J			
R 705	(A,281,82)	RD1/4PU473J			
R 706	(A,277,83)	RD1/4PU473J			
R 707	(A,133,80)	RD1/4PU184J			
R 708	(A,147,81)	RD1/4PU184J			
△ R 711	(A,181,86) METAL OXIDE RESISTOR	RS2LMF222J			
R 713	(A,114,85)	RD1/4PU102J			
R 721	(A,145,77)	RD1/4PU103J			
R 722	(A,125,78)	RD1/4PU103J			
R 723	(A,271,78)	RD1/4PU473J			
R 724	(A,274,83)	RD1/4PU473J			
R 725	(A,276,74)	RD1/4PU103J			
R 726	(B,286,62)	RS1/16S473J			
R 727	(B,283,62)	RS1/16S103J			
R 728	(B,106,9)	RS1/16S683J			
R 730	(B,214,14)	RS1/16S683J			

CAPACITORS

C 521	(A,120,164) FILM CAPACITOR	CQMB A123J50
C 603	(B,99,39)	CKSRY B331K50
C 604	(B,227,38)	CKSRY B331K50
C 605	(A,101,38)	CEAT4R7M50
C 606	(A,230,38)	CEAT4R7M50
C 607	(B,100,20)	CCSRCH470J50
C 608	(B,230,17)	CCSRCH470J50
C 609	(A,96,32)	CEAT101M16
C 610	(A,225,32)	CEAT101M16
C 613	(B,121,27)	CCSRCJ3ROC50
C 614	(B,250,28)	CCSRCJ3ROC50
C 615	(A,121,45)	CEANP2R2M50
C 616	(A,250,45)	CEANP2R2M50
C 654	(B,217,33)	CKSRY B331K50
C 656	(A,215,33)	CEAT4R7M50
C 658	(B,221,17)	CCSRCH470J50
C 660	(A,219,25)	CEAT101M16
C 664	(B,241,24)	CCSRCJ3ROC50
C 666	(A,239,49)	CEANP2R2M50

Mark No.	Description	Part No.
C 682	(B,80,43)	CKSRYPB331K50
C 683	(A,83,43)	CEAT4R7M50
C 684	(B,87,18)	CCSRCH470J50
C 685	(A,83,37)	CEAT101M16
C 687	(B,87,8)	CCSRCJ3R0C50
C 688	(A,75,78)	CEANP2R2M50
C 696	(B,281,36)	CKSRYPB102K50
C 697	(A,286,29)	CEAT221M6R3
C 701	(A,49,80) E-CAP 5600/71	XCH3027
C 702	(A,49,107) E-CAP 5600/71	XCH3027
C 705	(A,156,81) ELECT. CAPACITOR	CEAT100M2A
C 706	(A,142,84) ELECT. CAPACITOR	CEAT100M2A
C 711	(A,195,99) ELECT. CAPACITOR	CEAT101M35
C 712	(A,188,105)	CEAT101M10
C 740	(A,90,136)	CEAT101M25
C 751	(A,159,143) FILM CAPACITOR	CQMBA224J50
C 752	(A,181,150) FILM CAPACITOR	CQMBA224J50
C 753	(A,157,155) FILM CAPACITOR	CQMBA224J50
C 754	(A,181,158) FILM CAPACITOR	CQMBA224J50
C 755	(A,103,147) FILM CAPACITOR	CQMBA224J50
C 756	(A,96,151) FILM CAPACITOR	CQMBA224J50
C 757	(A,157,164) FILM CAPACITOR	CQMBA123J50
C 758	(A,177,164) FILM CAPACITOR	CQMBA123J50
C 759	(A,101,164) FILM CAPACITOR	CQMBA123J50
C 761	(A,122,139) FILM CAPACITOR	CQMBA224J50
C 762	(A,152,145) FILM CAPACITOR	CQMBA224J50
C 763	(A,122,146) FILM CAPACITOR	CQMBA224J50
C 764	(A,150,152) FILM CAPACITOR	CQMBA224J50
C 765	(A,63,164) FILM CAPACITOR	CQMBA123J50
C 766	(A,82,164) FILM CAPACITOR	CQMBA123J50
C 773	(A,138,164) FILM CAPACITOR	CQMBA123J50
C 778	(B,89,34)	CKSRYPB331K50
C 779	(A,86,33)	CEAT4R7M50
C 780	(B,93,18)	CCSRCH470J50
C 781	(A,92,27)	CEAT101M16
C 783	(B,112,24)	CCSRCJ3R0C50
C 784	(A,110,48)	CEANP2R2M50
C 801	(A,248,114) ELECT. CAPACITOR	CEAT222M25
C 802	(A,249,100) ELECT. CAPACITOR	CEAT222M25
C 806	(B,281,53)	CKSRYPB105K16
C 807	(B,233,89)	CKSRYPB103K25
C 808	(A,245,142) ELECT. CAPACITOR	CEAT472M16
C 809	(A,232,95)	CEAT101M10
C 810	(A,266,133)	CEAT101M10
C 811	(B,276,128)	CKSRYPB103K25
C 812	(B,272,111)	CKSRYPB103K25
C 813	(A,272,118)	CEAT101M16
C 850	(A,210,92)	CEAT101M10
C 860	(A,282,159)	CEAT101M25
C 870	(B,249,134)	CKSRYPB104K50

D TRANS2 ASSY MISCELLANEOUS

△ IC 853	(A,32,204) PROTECTOR(4A)	AEK7018
J 21	JUMPER WIRE 11P	D20PYY1130E
CN 1201	(A,35,183) 4P JUMPER CONNECTOR	52147-0410
851	(A,49,207) 11P CABLE HOLDER	51048-1100

Mark No. Description Part No.

F 5.1CH INPUT ASSY MISCELLANEOUS

CN 307	(A,125,216) 7P CONNECTOR	52044-0745
CN 309	(A,167,225) PIN JACK(4P)	XKB3035

RESISTORS

R 1001	(B,147,233)	RS1/16S474J
R 1002	(B,150,226)	RS1/16S474J
R 1003	(B,149,236)	RS1/16S331J
R 1004	(B,150,228)	RS1/16S331J
R 1009	(B,150,224)	RS1/16S474J
R 1010	(B,151,212)	RS1/16S474J
R 1011	(B,150,222)	RS1/16S331J
R 1012	(B,150,214)	RS1/16S331J

CAPACITORS

C 1001	(B,151,233)	CCSRCH101J50
C 1002	(B,151,230)	CCSRCH101J50
C 1003	(B,143,233)	CKSRYPB221K50
C 1004	(B,147,230)	CKSRYPB221K50
C 1009	(A,146,236)	CEAT4R7M50
C 1010	(A,146,228)	CEAT4R7M50
C 1012	(B,159,226)	CKSRYPB103K50
C 1013	(B,151,219)	CCSRCH101J50
C 1014	(B,151,216)	CCSRCH101J50
C 1015	(B,147,224)	CKSRYPB221K50
C 1016	(B,147,216)	CKSRYPB221K50
C 1021	(A,146,214)	CEAT4R7M50
C 1022	(A,146,221)	CEAT4R7M50

G TRANS3 ASSY MISCELLANEOUS

△ IC 357	(A,100,225) PROTECTOR(800MA)	AEK7008
D 363	(A,86,238) DIODE	1SR139-400
J 22	3P PARALLEL WIRE	XDX3064
891	(A,106,233) 3P CABLE HOLDER	51048-0300

RESISTORS

R 881	(A,54,235)	RD1/4PU4R7J
-------	------------	-------------

CAPACITORS

C 406	(A,96,232) ELECT. CAPACITOR	CEAT471M35
C 881	(A,13,234) FILM CAPACITOR	CFTLA104J2A
C 882	(A,23,239) FILM CAPACITOR	CFTLA104J2A

H FRONT DISPLAY ASSY MISCELLANEOUS

IC 401	(B,121,181) DISPLAY U-COM	PE5550A
Q 442	(B,238,190) TRANSISTOR	RT1N241M
Q 484	(B,215,190) TRANSISTOR	2SA1576A
D 403	(B,226,189) DIODE	1SS355
L 401	(A,242,159) RADIAL INDUCTOR	LFA2R2J
V 401	(A,189,200) FL TUBE	XAV3036
S 447	(A,94,113) SWITCH	VSG1024
S 448	(A,76,113) SWITCH	VSG1024
S 449	(A,58,113) SWITCH	VSG1024
S 450	(A,58,92) SWITCH	VSG1024
S 451	(A,76,92) SWITCH	VSG1024
S 452	(A,94,92) SWITCH	VSG1024
S 454	(A,89,136) SWITCH	VSG1024

Mark No.	Description	Part No.
S 455	(A,65,136) SWITCH	VSG1024
S 456	(A,40,136) SWITCH	VSG1024
S 457	(A,16,136) SWITCH	VSG1024
S 458	(A,40,113) SWITCH	VSG1024
S 459	(A,114,136) SWITCH	VSG1024
S 460	(A,138,136) SWITCH	VSG1024
S 461	(A,163,136) SWITCH	VSG1024
S 462	(A,187,136) SWITCH	VSG1024
S 463	(A,212,136) SWITCH	VSG1024
S 464	(A,236,136) SWITCH	VSG1024
S 471	(A,40,92) SWITCH	VSG1024
X 401	(A,149,165) CERAMIC RESONATOR (5.00 MHz)	VSS1142
CN 401	(A,246,165) 17P CONNECTOR	52044-1745
404	(A,197,127) CABLE HOLDER(5P)	51063-0505
470	(A,37,174) CABLE HOLDER(3P)	51063-0305
471	(A,34,191) CABLE HOLDER(3P)	51063-0305
402	(A,223,169) REMOTE RECEIVER UNIT	GP1UE274XKC1
515	FL HOLDER(FE)	VNF1096

RESISTORS

R 401	(B,144,169)	RS1/16S105J
R 402	(B,223,191)	RS1/16S104J
R 403	(B,220,191)	RS1/16S104J
R 405	(B,228,155)	RS1/16S102J
R 406	(B,226,155)	RS1/16S103J
R 407	(B,78,176)	RS1/16S473J
R 408	(B,80,176)	RS1/16S473J
R 409	(B,75,176)	RS1/16S473J
R 410	(B,73,176)	RS1/16S473J
R 411	(B,229,189)	RS1/16S473J
R 412	(B,235,187)	RS1/16S221J
R 413	(B,235,184)	RS1/16S221J
R 414	(B,235,182)	RS1/16S221J
R 415	(B,235,180)	RS1/16S221J
R 416	(B,235,178)	RS1/16S221J
R 417	(B,223,182)	RS1/16S101J
R 419	(B,205,148)	RS1/16S101J
R 420	(B,207,148)	RS1/16S101J
R 421	(B,209,148)	RS1/16S101J
R 422	(B,157,169)	RS1/16S104J
R 423	(B,131,167)	RS1/16S104J
R 424	(B,83,176)	RS1/16S104J
R 425	(B,206,185)	RS1/16S104J
R 430	(B,235,175)	RS1/16S0R0J
R 448	(B,87,114)	RS1/16S681J
R 449	(B,69,114)	RS1/16S821J
R 450	(B,58,102)	RS1/16S122J
R 451	(B,69,93)	RS1/16S162J
R 452	(B,88,97)	RS1/16S272J
R 453	(B,144,142)	RS1/16S472J
R 454	(A,101,135)	RD1/4PU681J
R 455	(A,75,136)	RD1/4PU821J
R 456	(A,50,136)	RD1/4PU122J
R 457	(A,26,136)	RD1/4PU162J
R 458	(B,34,114)	RS1/16S272J
R 459	(A,108,134)	RD1/4PU472J
R 460	(A,133,138)	RD1/4PU681J
R 461	(A,152,136)	RD1/4PU821J
R 462	(A,183,141)	RD1/4PU122J

Mark No.	Description	Part No.
R 463	(A,200,141)	RD1/4PU162J
R 464	(A,233,139)	RD1/4PU272J
R 465	(A,166,152)	RD1/4PU472J
R 471	(B,40,102)	RS1/16S512J
R 472	(A,90,142)	RD1/4PU472J

CAPACITORS

C 401	(B,247,155)	CKSRYB103K50
C 402	(B,247,153)	CKSRYB103K50
C 403	(A,232,168)	CEAT221M6R3
C 410	(B,60,193)	CKSRYB103K50
C 411	(B,62,193)	CKSRYB103K50
C 412	(A,49,178)	CEAT470M50
C 418	(B,141,179)	CKSRYB104K16
C 419	(B,103,183)	CKSRYB103K50
C 420	(A,44,184) ELECT. CAPACITOR	CEAT101M35
C 421	(B,160,169)	CKSRYB104K16
C 441	(B,225,176)	CKSRYB103K50
C 442	(A,239,146)	CEAL470M10
C 451	(B,125,166)	CKSRYB102K50
C 452	(B,103,164)	CKSRYB102K50
C 453	(B,122,166)	CKSRYB102K50
C 454	(B,100,164)	CKSRYB102K50
C 481	(B,140,191)	CCSRCH471J50
C 482	(B,126,201)	CCSRCH221J50
C 483	(B,126,199)	CCSRCH221J50
C 487	(B,84,160)	CKSRYB102K50
C 488	(B,81,160)	CKSRYB102K50
C 489	(B,74,163)	CKSRYB102K50
C 490	(A,71,163)	CKSRYB102K50

I ROTARY ENCODER ASSY

MISCELLANEOUS

S 502	(A,263,225) SWITCH	VSG1024
S 503	(A,282,225) SWITCH	VSG1024
S 504	(A,300,225) SWITCH	VSG1024
S 505	(A,300,212) SWITCH	VSG1024
S 506	(A,282,212) SWITCH	VSG1024
S 507	(A,263,212) SWITCH	VSG1024
S 513	(A,285,154) ROTARY ENCODER	XSX3005
511	(A,257,183) CABLE HOLDER(5P)	51063-0505

RESISTORS

R 503	(B,275,224)	RS1/16S681J
R 504	(B,294,224)	RS1/16S821J
R 505	(B,301,219)	RS1/16S122J
R 506	(B,294,213)	RS1/16S162J
R 507	(B,275,213)	RS1/16S272J

J POWER KEY ASSY

MISCELLANEOUS

S 501	(A,29,226) SWITCH	VSG1024
501	(A,40,210) CABLE HOLDER(3P)	51063-0305

K JOG ASSY

MISCELLANEOUS

S 512	(A,96,226) ROTARY ENCODER	XSX3009
512	(A,66,236) CABLE HOLDER(3P)	51063-0305

Mark No. Description Part No.

Mark No. Description Part No.

L FRONT MINI JACK ASSY

MISCELLANEOUS

J 30	JUMPER WIRE	D20PY0323E
JA 971	(A,114,9) JACK	DKN1124
KN 971	(A,145,33) WRAPPING TERMINAL	VNF1084
971	(A,157,14) 3P CABLE HOLDER	51048-0300

RESISTORS

R 971	(B,144,7)	RS1/16S331J
R 972	(B,144,17)	RS1/16S331J

CAPACITORS

C 971	(B,142,7)	CCSRCH101J50
C 972	(B,142,17)	CCSRCH101J50
C 973	(B,146,7)	CCSRCH101J50
C 974	(B,146,17)	CCSRCH101J50
C 975	(B,120,17)	CCSRCH471J50

C 976	(B,122,17)	CKSRYPB103K50
C 977	(B,125,17)	CKSRYPB104K25

M DIGITAL INPUT ASSY

MISCELLANEOUS

F 1901	(B,214,228) INDUCTOR	CTF1295
JA 1900	(A,206,201) OPT. LINK IN	GP1FAV51RKBF
KN 1902	(A,249,206) SCREW PLATE	VNE1948
CN 1903	(A,236,221) CONNECTOR	VKN1181

RESISTORS

R 1900	(B,211,215)	RS1/16S101J
--------	-------------	-------------

CAPACITORS

C 1900	(B,205,215)	CKSRYPB104K25
C 1903	(B,211,230)	CKSRYPB103K50
C 1904	(A,208,228)	CEAL101M10
C 1905	(B,228,233)	CKSRYPB104K25
C 1906	(B,230,233)	CKSRYPB103K50
C 1907	(B,232,233)	CCSRCH101J50
C 1908	(B,236,233)	CKSRYPB102K50

N REGULATOR ASSY

MISCELLANEOUS

△ IC 801	(A,147,89) REGULATOR IC	KIA7812API
△ IC 802	(A,164,89) REGULATOR IC	KIA7912PI
△ IC 808	(A,181,89) REGULATOR IC	KIA7805API
D 810	(A,172,94) DIODE	MTZJ6R2(B)
CN 800	(A,194,113) 11PJUMPER CONNECTOR	52147-1110

RESISTORS

R 801	(A,136,95) METAL OXIDE RESISTOR	RS3LMF331J
-------	---------------------------------	------------

CAPACITORS

C 803	(B,147,97)	CKSRYPB103K25
C 804	(B,166,97)	CKSRYPB103K25
C 805	(A,147,105)	CEJQ101M16
C 806	(A,159,99)	CEAT101M16
C 818	(B,182,95)	CKSRYPB103K25

C 819	(A,176,95)	CEAT221M10
-------	------------	------------

O HEAD PHONE ASSY

MISCELLANEOUS

Q 1551	(B,208,48) TRANSISTOR	2SC5938A
Q 1552	(B,203,39) TRANSISTOR	2SC5938A
J 47	6P PARALLEL WIRE	XDX3065
JA 1551	(A,163,30) HEADPHONE JACK	XKB3066
KN 1551	(A,193,23) WRAPPING TERMINAL	VNF1084

1551	(A,220,28) 6P CABLE HOLDER	51048-0600
------	----------------------------	------------

RESISTORS

△ R 1551	(A,218,56) METAL OXIDE RESISTOR	RS2LMF331J
△ R 1552	(A,207,42) METAL OXIDE RESISTOR	RS2LMF331J
△ R 1553	(A,202,45) METAL OXIDE RESISTOR	RS1LMF151J
△ R 1554	(A,194,45) METAL OXIDE RESISTOR	RS1LMF151J
R 1555	(B,208,32)	RS1/16S472J

R 1556	(B,210,43)	RS1/16S472J
R 1557	(B,212,30)	RS1/16S102J

CAPACITORS

C 1551	(B,194,40)	CKSRYPB223K50
C 1552	(B,205,49)	CKSRYPB223K50
C 1553	(B,169,39)	CKSRYPB103K50
C 1554	(B,169,37)	CCSRCH471J50
C 1555	(B,169,34)	CKSRYPB104K16

C 1556	(B,167,24)	CKSRYPB103K50
C 1557	(B,170,24)	CCSRCH471J50
C 1558	(B,172,24)	CKSRYPB104K16
C 1561	(A,196,64) ELECT. CAPACITOR	CEANP470M50
C 1562	(A,215,44) ELECT. CAPACITOR	CEANP470M50

P VIDEO ASSY

MISCELLANEOUS

IC 301	(B,46,32) VIDEO SW IC	NJM2595M
△ Q 301	(A,86,47) TRANSISTOR	2SD1858X
△ Q 302	(A,66,52) TRANSISTOR	2SB1237X
Q 303	(B,24,81) TRANSISTOR	2SC5938A
D 301	(B,44,40) DIODE	1SS355

D 302	(B,41,44) DIODE	1SS355
D 303	(B,81,61) DIODE	UDZS6R2(B)
D 304	(B,73,59) DIODE	UDZS6R2(B)
D 308	(B,60,23) DIODE	DAN202U
JA 308	(A,14,51) 6P PIN JACK	XKB3068

CN 302	(A,64,84) 6P SOCKET	KP200TA6L
CN 304	(A,88,7) 13P FFC CONNECTOR	9604S-13C

RESISTORS

R 299	(B,47,52)	RS1/16S0R0J
R 301	(B,37,20)	RS1/16S750J
R 302	(B,31,60)	RS1/16S750J
R 303	(B,31,33)	RS1/16S750J
R 304	(B,31,66)	RS1/16S750J

R 305	(B,23,51)	RS1/16S750J
R 306	(B,28,51)	RS1/16S750J
R 307	(B,56,25)	RS1/16S102J
R 308	(B,57,29)	RS1/16S102J
R 310	(B,57,31)	RS1/16S102J

R 311	(B,42,23)	RS1/16S102J
R 312	(B,60,25)	RS1/16S102J
△ R 313	(A,85,57) METAL OXIDE RESISTOR	RS3LMF390J

Mark No.	Description	Part No.
R 314	(B,84,61)	RS1/16S152J
R 315	(B,64,59)	RS1/16S152J
△ R 316	(A,67,39) METAL OXIDE RESISTOR	RS3LMF390J
R 317	(B,22,75)	RS1/16S102J
R 318	(B,26,77)	RS1/16S122J
R 319	(B,26,75)	RS1/16S472J
R 391	(B,34,39)	RS1/16S0R0J
R 392	(B,33,54)	RS1/16S0R0J
R 393	(B,49,39)	RS1/16S0R0J

CAPACITORS

C 304	(B,35,18)	CKSRYB221K50
C 305	(B,23,66)	CKSRYB221K50
C 306	(B,25,51)	CKSRYB221K50
C 307	(A,35,36)	CEAT470M25
C 308	(A,52,54)	CEAT470M25
C 309	(A,31,46)	CEAT470M25
C 310	(A,54,43)	CEAT101M16
C 311	(B,82,48)	CKSRYB473K25
C 313	(B,75,42)	CKSRYB473K25
C 333	(B,22,77)	CKSRYB331K50
C 338	(A,60,38)	CEAT101M16
C 339	(B,37,24)	CKSRYB104K25
C 340	(B,56,37)	CKSRYB104K25
C 1360	(B,18,51)	CKSRYB103K50



PRIMARY ASSY

MISCELLANEOUS

△ IC 51	(B,236,11) IC	NJM78L05UA
Q 51	(B,267,14) DIGITAL TR(SC-70)	RT1N431M
D 51	(B,298,20) BRIDGE DIODE	DF06SA
D 55	(A,304,21) DIODE	1SR139-400
D 56	(A,271,21) DIODE	1SS133
D 57	(A,266,25) DIODE	1SS133
D 58	(A,314,13) DIODE	MTZJ5R1(B)
△ L 51	(A,253,73) LINE FILTER	XTF3004
H 51	(A,231,34) FUSE CLIP	AKR7001
H 52	(A,250,34) FUSE CLIP	AKR7001
J 52	JUMPER WIRE	D20PYY0410E
KN 51	(A,318,25) WRAPPING TERMINAL	VNF1084
KN 3001	(A,223,117) SCREW PLATE	VNE1948
△ RY 51	(A,271,57) JOE LOWPOWER RELAY	ASR7013
△ T 51	(A,288,56) STANDBY TRANSFORMER	ATT7040
△ CN 51	(A,236,47) AC CODE SOCKET	RKP1751
55	(A,317,9) 4P CABLE HOLDER	51048-0400

RESISTORS

R 52	(A,275,11)	RD1/2PM270J
R 53	(A,307,12)	RD1/4PU332J
R 54	(A,319,16)	RD1/4PU103J

CAPACITORS

△ C 51	(A,261,64) FILM CAPACITOR	ACE7013
△ C 52	(A,265,57) SAFETY CAPACITOR	XCG3010
C 53	(A,291,21) ELECT. CAPACITOR	CEAT102M16
C 54	(A,300,11)	CEAT470M25
C 55	(A,307,21)	CKPUYF103Z25
C 56	(A,311,21)	CKPUYF103Z25
C 57	(A,314,21)	CKPUYF103Z25

Mark No. Description Part No.

FM/AM TUNER UNIT

FM/AM TUNER UNIT has no service parts.