

# Pioneer

## Service Manual

ORDER NO.  
**RRV4183**

**AUDIO/VIDEO MULTI-CHANNEL RECEIVER**

# VSX-826-K

## VSX-821-K

## VSX-521-K

## VSX-421-K

**THIS MANUAL IS APPLICABLE TO THE FOLLOWING MODEL(S) AND TYPE(S).**

Model	Type	Power Requirement	Remarks
VSX-826-K	SYXCN5	AC 220 V to 230 V	
VSX-821-K	SYXCN5	AC 220 V to 230 V	
VSX-521-K	SYXCN5	AC 220 V to 230 V	
VSX-421-K	SYXCN5	AC 220 V to 230 V	

**This service manual should be used together with the following manual(s).**

Model No.	Order No.	Remarks
VSX-821-K/CUXCNSM	RRV4167	VSX-521-K/CUXCNSM

**For SPECIFICATIONS and PANEL FACILITIES, refer to the operating instructions.**

**PIONEER CORPORATION** 1-1, Shin-ogura, Saiwai-ku, Kawasaki-shi, Kanagawa 212-0031, Japan

**PIONEER ELECTRONICS (USA) INC.** P.O. Box 1760, Long Beach, CA 90801-1760, U.S.A.

**PIONEER EUROPE NV** Haven 1087, Keetberglaan 1, 9120 Melsele, Belgium

**PIONEER ELECTRONICS ASIACENTRE PTE. LTD.** 253 Alexandra Road, #04-01, Singapore 159936

©PIONEER CORPORATION 2011

K-ZZZ MAY 2011 Printed in Japan

# 1. CONTRAST OF MISCELLANEOUS PARTS

NOTES: ● Parts marked by "NSP" are generally unavailable because they are not in our Master Spare Parts List.

● The  $\Delta$  mark found on some component parts indicates the importance of the safety factor of the part.

Therefore, when replacing, be sure to use parts of identical designation.

● Screws adjacent to  $\nabla$  mark on product are used for disassembly.

● For the applying amount of lubricants or glue, follow the instructions in this manual.

(In the case of no amount instructions, apply as you think it appropriate.)

● Nos. indicate the pages and Nos. in the service manual for the base model.

● When ordering resistors, first convert resistance values into code form as shown in the following examples.

Ex.1 When there are 2 effective digits (any digit apart from 0), such as 560 ohm and 47k ohm (tolerance is shown by J=5%, and K=10%).

560  $\Omega$   $\rightarrow$  56 x 10<sup>1</sup>  $\rightarrow$  561 ..... RD1/4PU5 6 1 J  
 47k  $\Omega$   $\rightarrow$  47 x 10<sup>3</sup>  $\rightarrow$  473 ..... RD1/4PU4 7 3 J  
 0.5  $\Omega$   $\rightarrow$  R50 ..... RN2HR 5 0 K  
 1  $\Omega$   $\rightarrow$  1R0 ..... RS1P 1 R 0 K

Ex.2 When there are 3 effective digits (such as in high precision metal film resistors).

5.62k  $\Omega$   $\rightarrow$  562 x 10<sup>1</sup>  $\rightarrow$  5621 ..... RN1/4PC 5 6 2 1 F

## CONTRAST TABLE FOR VSX-826-K/SYXCN5 AND VSX-821-K/SYXCN5

VSX-821-K/CUXCNSM, VSX-826-K/SYXCN5 and VSX-821-K/SYXCN5 are constructed the same except for the following:

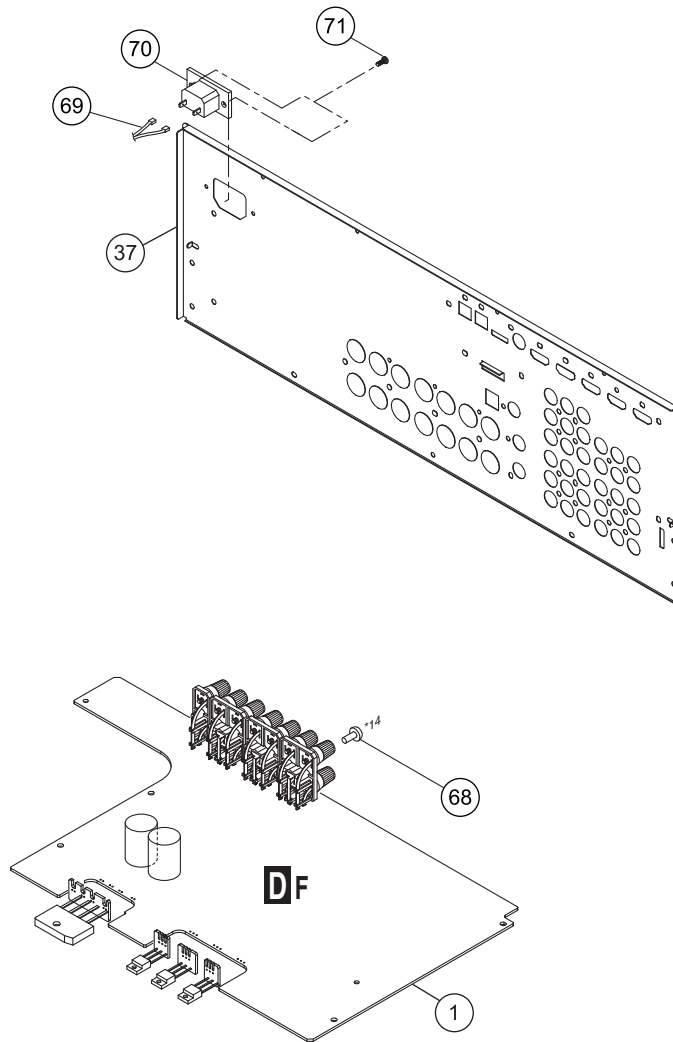
Mark	No.	Symbol and Description	VSX-821-K/CUXCNSM	VSX-826-K/SYXCN5	VSX-821-K/SYXCN5	Remarks
<b>PCB ASSEMBLIES</b>						
NSP	P74-1 P74-2	1..MAIN ASSY	7025HK1011010-IL	7025HK1014020-IL	7025HK1011050-IL	
		2..MAIN ASSY	70280702710H0-IL	7028070271070-IL	7028070271040-IL	
		2..SUBWOOFER ASSY	7028070272070-IL	7028070272080-IL	7028070272080-IL	
NSP	P74-7	1..AMP5 ASSY	7025HK1011017-IL	Not used	7025HK1013017-IL	
		2..AMP5 ASSY	7028070241030-IL	Not used	7028070241010-IL	
NSP	P74-7	1..AMP7 ASSY	Not used	7025HK1014026-IL	Not used	
		2..AMP7 ASSY	Not used	7028070251060-IL	Not used	
NSP	P74-9	1..VIDEO ASSY	7025HK1011016-IL	7025HK1014027-IL	7025HK1011056-IL	
		2..VIDEO ASSY	7028070261060-IL	7028070261080-IL	70280702610A0-IL	
NSP	P74-10 P74-13	1..CPU ASSY	7025HK1011011-IL	7025HK1014024-IL	7025HK1011051-IL	
		2..CPU ASSY	7028070221030-IL	7028070221080-IL	70280702210D0-IL	
		2..STANDBY ASSY	7028070225030-IL	7028070225080-IL	7028070225090-IL	
NSP	P74-14	1..FRONT ASSY	7025HK1011013-IL	7025HK1014023-IL	7025HK1014023-IL	
		2..FRONT ASSY	7028070211050-IL	7028070211060-IL	7028070211060-IL	
NSP	P74-19	1..AUDIO ASSY	7025HK1011014-IL	7025HK1014021-IL	7025HK1011024-IL	
		2..AUDIO ASSY	7028070181030-IL	7028070181060-IL	7028070181080-IL	
NSP	P74-20	1..USB ASSY	7025HK1014012-IL	7025HK1011015-IL	7025HK1011015-IL	
		2..USB ASSY	7028070201050-IL	7028070201030-IL	7028070201030-IL	
NSP	P74-21	1..D-MAIN ASSY	7025HK1011012-IL	7025HK1014028-IL	7025HK1011052-IL	
		2..D-MAIN ASSY	7028070191030-IL	7028070191060-IL	7028070191070-IL	
<b>PACKING SECTION</b>						
NSP	P71-1	Remote Control (AXD7621)	8300762100010-IL	Not used	Not used	
	P71-1	Remote Control (AXD7622)	Not used	8300762200010-IL	8300762200010-IL	
	P71-6	Operating Instructions (En/Frca/Es)	5707000004990-IL	Not used	Not used	
	P71-6	Operating Instructions (En/Fr/Es/De/It/Nl/Ru)	Not used	5707000005000-IL	5707000005000-IL	
		Operating Instructions (CD-ROM)	Not used	6517000000140-IL	6517000000140-IL	
	P71-7	Box, Gift	60072118200G0-IL	60072118200M0-IL	60072118200L0-IL	
		AC Power Cord	Not used	L068250160020-IL	L068250160020-IL	
	Warranty Card EU	Not used	ARY7127	ARY7127		

Mark	No.	Symbol and Description	VSX-821-K/CUXCNSM	VSX-826-K/SYXCNS5	VSX-821-K/SYXCNS5	Remarks
		<b>EXTERIOR SECTION (for VSX-821-K, VSX-921-K)</b>				
⚠	P74-22	Cord Assy	L068125101710-IL	Not used	Not used	
⚠	P74-23	Power Trans	8200960610850-IL	8200960610970-IL	8200960610860-IL	
	P74-37	Chassis Back	3207213736000-IL	3207213746100-IL	3207213736100-IL	
	P74-45	Stopper	4380040162010-IL	Not used	Not used	
	P74-49	Front Panel	3067215091000-IL	3067215091130-IL	3067215091100-IL	
		Bushing	Not used	2410040353010-IL	2410040353010-IL	No. 68
		Cn,Wire	Not used	L000800020220-IL	L000800020220-IL	No. 69
⚠		Socket,Power AC	Not used	G430040560021-IL	G430040560021-IL	No. 70
		Screw	Not used	CBZ30P080FTB	CBZ30P080FTB	No. 71

Notes : The numbers in the remarks column correspond to the numbers on the "EXPLODED VIEWS".  
For PCB ASSEMBLIES, Refer to "CONTRAST OF PCB ASSEMBLIES".

## EXPLODED VIEWS

### EXTERIOR SECTION (for VSX-826-K, VSX-821-K)



## CONTRAST OF PCB ASSEMBLIES

### A F AUDIO ASSY

A 7028070181030-IL, 7028070181060-IL and 7028070181080-IL are constructed the same except for the following:

Mark	Symbol and Description	7028070181030-IL	7028070181060-IL	7028070181080-IL	Remarks
	Q401, Q404	J522020011210-IL	Not used	J522020011210-IL	
	Q413, Q418	Not used	J522020011210-IL	Not used	
	CN400 CN,WIRE 2mm	L002151102621-IL	L002151132621-IL	L002151102621-IL	
	JA400 TER,RCA 9pin	G607902AA550Y-IL	G607902AA141Y-IL	G607902AA550Y-IL	

The mounting positions of the additional parts are described in the circuit diagram and PCB diagram of the parent manual.

### B F AMP7 ASSY

B Although 7028070251040-IL and 7028070251060-IL are different in part number and they are NOT COMPATIBLE, they consist of the same service components.

### C F AMP5 ASSY

C Although 7028070241030-IL and 7028070241010-IL are different in part number and they are NOT COMPATIBLE, they consist of the same service components.

### D F MAIN ASSY

D 70280702710H0-IL, 7028070271070-IL and 7028070271040-IL are constructed the same except for the following:

Mark	Symbol and Description	70280702710H0-IL	7028070271070-IL	7028070271040-IL	Remarks
	L6, L7 COIL,FILTER-INDUCTOR	Not used	D330900001330-IL	Not used	
	RY6 RELAY	Not used	G680120503020-IL	Not used	
	CN9014 CN,WAFER	Not used	L109012511110-IL	Not used	
	CN2 CN,WIRE	Not used	L000311020030-IL	Not used	
	CN4 CN,WIRE	L000101020310-IL	Not used	L000101020310-IL	
	CN9008 CN.WAFER	Not used	L109012510910-IL	Not used	
	JA104 TER,BOARD PUSH 4p	Not used	G594408SA030Y-IL	Not used	
	R15-R18	Not used	C060010065050-IL	Not used	
	R35, R36	Not used	C060047363050-IL	Not used	
	C21, C22, C24, C25	Not used	D02047306C060-IL	Not used	

D The mounting positions of the additional parts are described in the circuit diagram and PCB diagram of the parent manual.

### E F SUBWOOFER ASSY

E 7028070272070-IL and 7028070272080-IL are constructed the same except for the following:

Mark	Symbol and Description	7028070272070-IL	7028070272080-IL	Remarks
	D9604, D9605	K06606R24P400-IL	Not used	
	JA602 JACK,DIN	G403515397000-IL	Not used	
	9601 TUNER,FM/AM	E903004100780-IL	E903104100780-IL	

### F F VIDEO ASSY

F 7028070261060-IL, 7028070261080-IL and 70280702610A0-IL are constructed the same except for the following:

Mark	Symbol and Description	7028070261060-IL	7028070261080-IL	70280702610A0-IL	Remarks
	Q1084	Not used	J520015301210-IL	Not used	
	Q1082	Not used	J522101411210-IL	Not used	
	Q1083	Not used	J522020011210-IL	Not used	
	D1082, D1084	Not used	K005041480030-IL	Not used	
	X1003 CRYSTAL	E80014R318080-IL	Not used	Not used	
	X1004 CRYSTAL	Not used	E80017R734410-IL	E80017R734410-IL	
	CN1 CN,WAFER	Not used	L109012520910-IL	Not used	
	JA1001 TER,RCA 6pin	G603610D0400Y-IL	G603610A0040Y-IL	G603610A0040Y-IL	
	JA1000 TER,RCA 9pin	G607902AD013Y-IL	G607902AA013Y-IL	G607902AA013Y-IL	

The mounting positions of the additional parts are described in the circuit diagram and PCB diagram of the parent manual.

## N F FRONT ASSY

Although 7028070211050-IL and 7028070211060-IL are different in part number and they are NOT COMPATIBLE, they consist of the same service components.

## P F CPU ASSY

7028070221030-IL, 7028070221080-IL and 70280702210D0-IL are constructed the same except for the following:

Mark	Symbol and Description	7028070221030-IL	7028070221080-IL	70280702210D0-IL	Remarks
	IC203	8952521000040-IL	8952921000012-IL	8952521000040-IL	
	IC201	J040740800240-IL	Not used	Not used	
	CN203 CN,WAFER	Not used	L109012511110-IL	Not used	
	CN205 CN,WAFER	Not used	L109012521110-IL	Not used	

The mounting positions of the additional parts are described in the circuit diagram and PCB diagram of the parent manual.

## S F STANDBY ASSY

7028070225030-IL, 7028070225080-IL and 7028070225090-IL are constructed the same except for the following:

Mark	Symbol and Description	7028070225030-IL	7028070225080-IL	7028070225090-IL	Remarks
	Q302	J522101441210-IL	Not used	Not used	
	D9302	K06015R044520-IL	Not used	Not used	
⚠	T301 POWER TRANS	8200280150620-IL	8200280150680-IL	8200280150680-IL	
⚠	FU301 FUSE GLASS TUBE 20mm	N751506301160-IL	N751504001160-IL	N751503151160-IL	
⚠	CN9302 CN.WAFER 7.92mm	L108353280290-IL	L108011430210-IL	L108011430210-IL	

## T F D-MAIN ASSY

7028070191030-IL, 7028070191060-IL and 7028070191070-IL are constructed the same except for the following:

Mark	Symbol and Description	7028070191030-IL	7028070191060-IL	7028070191070-IL	Remarks
	IC1311	Not used	J080101500010-IL	Not used	
	IC1316	8952521000011-IL	8952921000021-IL	8952521000011-IL	
	IC9300	Not used	J126108618080-IL	Not used	
⚠	IC1306	Not used	J048107300010-IL	Not used	
	IC1302	Not used	J044718100010-IL	Not used	
	IC1323	8952521000020-IL	8952921000030-IL	8952521000020-IL	
	IC1307	Not used	TC7SA08FU	Not used	
	IC1312	Not used	TC7WHU04FU	Not used	
	Q1319	Not used	J522101411210-IL	Not used	
⚠	Q1318	Not used	J500124200010-IL	Not used	
	L1320 COIL,CHIP	Not used	D311126000030-IL	Not used	
	L1308, L1335 COIL,INDUCTOR	Not used	D3104R7010200-IL	Not used	
	L1301, L1304, L1323, L1324	Not used	D340160811210-IL	Not used	
	L1363, L1364 CHIP BEAD	Not used	D340160811210-IL	D340160811210-IL	
	X1301 CRYSTAL CHIP	Not used	E80528R636360-IL	Not used	
	X1302 CRYSTAL CHIP	Not used	E80527R000050-IL	Not used	
	CN1304 CN.WAFER 2.5mm	L102526800400-IL	L109012521110-IL	L102526800400-IL	
	CN9304 CN.WAFER 2.5mm	Not used	L102526800400-IL	Not used	

The mounting positions of the additional parts are described in the circuit diagram and PCB diagram of the parent manual.

## U F USB ASSY

7028070201050-IL and 7028070201030-IL are constructed the same except for the following:

Mark	Symbol and Description	7028070201050-IL	7028070201030-IL	Remarks
	IC802	8952921000040-IL	8952921000040-IL	

# CONTRAST TABLE FOR VSX-521-K/SYXCN5 AND VSX-421-K/SYXCN5

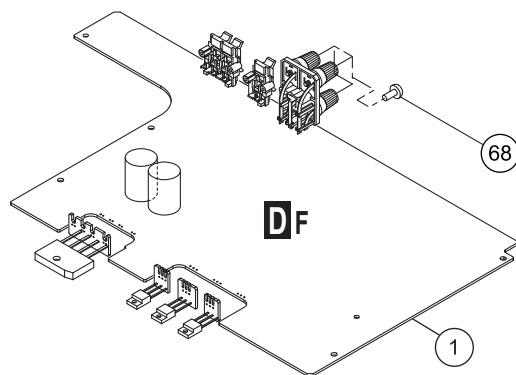
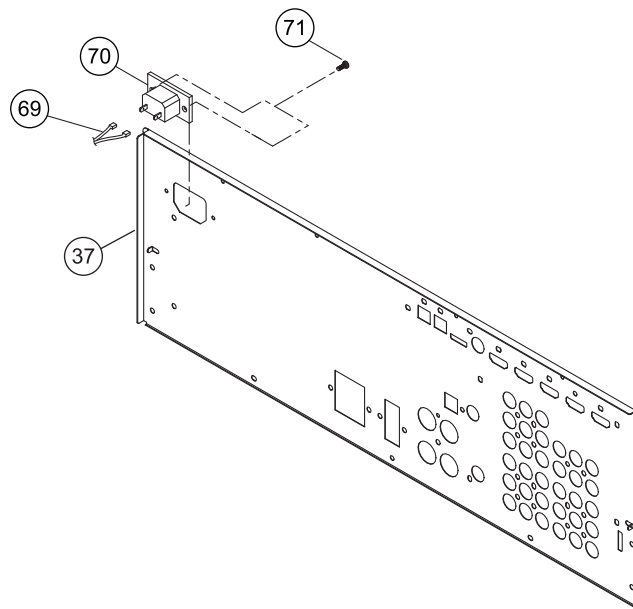
VSX-521-K/CUXCNSM, VSX-521-K/SYXCN5 and VSX-421-K/SYXCN5 are constructed the same except for the following:

Mark	No.	Symbol and Description	VSX-521-K/CUXCNSM	VSX-521-K/SYXCN5	VSX-421-K/SYXCN5	Remarks
<b>PCB ASSEMBLIES</b>						
A	NSP P78-1 P78-2	1..MAIN ASSY	7025HK1012010-IL	7025HK1012050-IL	7025HK1013010-IL	
		2..MAIN ASSY	70280702710D0-IL	7028070271050-IL	7028070271060-IL	
		2..SUBWOOFER ASSY	7028070272050-IL	7028070272080-IL	7028070272060-IL	
NSP	P78-7	1..AMP5 ASSY	7025HK1011017-IL	7025HK1013017-IL	7025HK1013017-IL	
		2..AMP5 ASSY	7028070241030-IL	7028070241010-IL	7028070241010-IL	
NSP	P78-8	1..BT ASSY	7025HK1009019-IL	7025HK1009019-IL	Not used	
		2..BT ASSY	7028070231010-IL	7028070231010-IL	Not used	
B	NSP P78-9	1..VIDEO ASSY	7025HK1011016-IL	7025HK1011056-IL	7025HK1013016-IL	
		2..VIDEO ASSY	7028070261060-IL	70280702610A0-IL	7028070261040-IL	
NSP	P78-10 P78-12 P78-13	1..CPU ASSY	7025HK1012011-IL	7025HK1012051-IL	7025HK1013011-IL	
		2..CPU ASSY	7028070221020-IL	70280702210F0-IL	7028070221010-IL	
		2..BRIDGE B ASSY	7028070223070-IL	7028070223070-IL	7028070223010-IL	
		2..STANDBY ASSY	7028070225030-IL	7028070225090-IL	7028070225090-IL	
NSP	P78-14 P78-16	1..FRONT ASSY	7025HK1012013-IL	7025HK1012053-IL	7025HK1013013-IL	
		2..FRONT ASSY	7028070211020-IL	70280702110B0-IL	7028070211010-IL	
		2..MIC ASSY	7028070213020-IL	7028070213020-IL	7028070213010-IL	
NSP	P78-19	1..AUDIO ASSY	7025HK1011014-IL	7025HK1011024-IL	7025HK1013014-IL	
		2..AUDIO ASSY	7028070181030-IL	7028070181080-IL	7028070181010-IL	
NSP	P78-21	1..D-MAIN ASSY	7025HK1012012-IL	7025HK1012052-IL	7025HK1013012-IL	
		2..D-MAIN ASSY	7028070191020-IL	7028070191080-IL	7028070191010-IL	
<b>PACKING SECTION</b>						
	P71-1	Remote Control (AXD7619)	8300761900010-IL	Not used	Not used	
	P71-1	Remote Control (AXD7618)	Not used	Not used	8300761800010-IL	
	P71-1	Remote Control (AXD7620)	Not used	8300762000010-IL	Not used	
	P71-5	Microphone (for Auto MCACC setup)	APM7008	APM7008	Not used	
	P71-6	Operating Instructions (En/Frca/Es)	5707000005040-IL	Not used	Not used	
D	P71-6	Operating Instructions (En/Fr/Es/De/It/Nl/Ru)	Not used	5707000005050-IL	5707000005090-IL	
		Operating Instructions (CD-ROM)	Not used	6517000000140-IL	6517000000140-IL	
		Box, Gift	60072118200P0-IL	60072118200T0-IL	60072118200V0-IL	
NSP	P71-7	AC Power Cord	Not used	L068250160020-IL	L068250160020-IL	
		Warranty Card EU	Not used	ARY7127	ARY7127	
<b>EXTERIOR SECTION (for VSX-521-K)</b>						
	P78-22	Cord Assy	L068125101710-IL	Not used	Not used	
	P78-23	Power Trans	8200960610910-IL	8200960610920-IL	8200960610920-IL	
	P78-37	Chassis Back	3207213726000-IL	3207213726100-IL	3207213716000-IL	
	P78-45	Stopper	4380040162010-IL	Not used	Not used	
	P78-49	Front Panel	3067215081000-IL	3067215081100-IL	3067215081110-IL	
E	P78-51 P78-50	Window Display	5077213123110-IL	5077213123110-IL	5077213123100-IL	
		Window Display	5077213113010-IL	5077213113010-IL	5077213113000-IL	
		Bushing	Not used	2410040353010-IL	2410040353010-IL	No. 68
		Cn,Wire	Not used	L000800020220-IL	L000800020220-IL	No. 69
		Socket,Power AC	Not used	G430040560021-IL	G430040560021-IL	No. 70
		Screw	Not used	CBZ30P080FTB	CBZ30P080FTB	No. 71

Notes : The numbers in the remarks column correspond to the numbers on the "EXPLODED VIEWS".

For PCB ASSEMBLIES, Refer to "CONTRAST OF PCB ASSEMBLIES".

**EXPLODED VIEWS**  
**EXTERIOR SECTION (for VSX-521-K, VSX-421-K)**



A  
 B  
 C  
 D  
 E  
 F

**CONTRAST OF PCB ASSEMBLIES****A F AUDIO ASSY**

A 7028070181030-IL, 7028070181080-IL and 7028070181010-IL are constructed the same except for the following:

Mark	Symbol and Description	7028070181030-IL	7028070181080-IL	7028070181010-IL	Remarks
	Q422, Q424	J522020011210-IL	J522020011210-IL	Not used	
	Q423	J520101411210-IL	J520101411210-IL	Not used	

**C F AMP5 ASSY**

Although 7028070241030-IL and 7028070241010-IL are different in part number and they are NOT COMPATIBLE, they consist of the same service components.

**B D F MAIN ASSY**

70280702710D0-IL, 7028070271050-IL and 7028070271060-IL are constructed the same except for the following:

Mark	Symbol and Description	70280702710D0-IL	7028070271050-IL	7028070271060-IL	Remarks
	CN9012 CN.WAFER	L109012510910-IL	L109012510910-IL	Not used	

**E F SUBWOOFER ASSY**

7028070272050-IL, 7028070272080-IL and 7028070272060-IL are constructed the same except for the following:

Mark	Symbol and Description	7028070272050-IL	7028070272080-IL	7028070272060-IL	Remarks
	CN602 CN.WAFER 2.0mm	L101100041110-IL	L101100041110-IL	Not used	
	9601 TUNER,FM/AM	E903004100780-IL	E903104100780-IL	E903104100780-IL	

**G F MIC ASSY**

7028070213020-IL and 7028070213010-IL are constructed the same except for the following:

Mark	Symbol and Description	7028070213020-IL	7028070213010-IL	Remarks
	IC902	J121458000020-IL	Not used	
	IC901	BU4052BCFV	Not used	
	Q900	J522101441210-IL	Not used	
	D9901-D9903	K06605R14P400-IL	Not used	
	CN901 CN.WIRE 2.0mm	L002391100010-IL	L002381030020-IL	

**D L F VIDEO ASSY**

7028070261060-IL, 70280702610A0-IL and 7028070261040-IL are constructed the same except for the following:

Mark	Symbol and Description	7028070261060-IL	70280702610A0-IL	7028070261040-IL	Remarks
	IC1007	J170747810010-IL	J170747810010-IL	Not used	
	Q1012	J520015301210-IL	J520015301210-IL	Not used	
	Q1013	J522305200050-IL	J522305200050-IL	Not used	
	X1003 CRYSTAL	E80014R318080-IL	Not used	Not used	
	X1004 CRYSTAL	Not used	E80017R734410-IL	Not used	
	JA1001 TER,RCA 6pin	G603610D0400Y-IL	G603610A0040Y-IL	G603610A0040Y-IL	
	JA1000 TER,RCA 9pin	G607902AD013Y-IL	G607902AA013Y-IL	G607902AA013Y-IL	

The mounting positions of the additional parts are described in the circuit diagram and PCB diagram of the parent manual.

**N F FRONT ASSY**

7028070211020-IL, 70280702110B0-IL and 7028070211010-IL are constructed the same except for the following:

Mark	Symbol and Description	7028070211020-IL	70280702110B0-IL	7028070211010-IL	Remarks
	D8701	K500052009011-IL	K500052009011-IL	Not used	



## P F CPU ASSY

7028070221020-IL, 70280702210F0-IL and 7028070221010-IL are constructed the same except for the following:

Mark	Symbol and Description	7028070221020-IL	70280702210F0-IL	7028070221010-IL	Remarks
	IC203	8952521000040-IL	8952521000040-IL	8952521000040-IL	
	IC205	J040740800240-IL	J040740800240-IL	Not used	
	CN207 CN,WAFER	L109012520910-IL	L109012520910-IL	Not used	

## R F BRIDGE B ASSY

7028070223070-IL and 7028070223010-IL are constructed the same except for the following:

Mark	Symbol and Description	7028070223070-IL	7028070223010-IL	Remarks
	CN9901 CN.WAFER 2.0mm	L101200101020-IL	L101200100320-IL	

## S F STANDBY ASSY

7028070225030-IL and 7028070225090-IL are constructed the same except for the following:

Mark	Symbol and Description	7028070225030-IL	7028070225090-IL	Remarks
	Q302	J522101441210-IL	Not used	
	D9302	K06015R044520-IL	Not used	
⚠	FU301 FUSE GLASS TUBE 20mm	N751506301160-IL	N751503151160-IL	
⚠	T301 POWER TRANS	8200280150620-IL	8200280150680-IL	
⚠	CN9302 CN.WAFER 7.92mm	L108353280290-IL	L108011430210-IL	

## T F D-MAIN ASSY

7028070191020-IL, 7028070191080-IL and 7028070191010-IL are constructed the same except for the following:

Mark	Symbol and Description	7028070191020-IL	7028070191080-IL	7028070191010-IL	Remarks
	IC1316	8952521000011-IL	8952521000011-IL	8952521000011-IL	
	IC1323	8952521000020-IL	8952521000020-IL	8952521000020-IL	
	L1363, L1364 CHIP BEAD	Not used	D340160811210-IL	D340160811210-IL	
	JA1303 CN.WAFER	L109100190160-IL	L109100190160-IL	Not used	

The mounting positions of the additional parts are described in the circuit diagram and PCB diagram of the parent manual.