

Pioneer

Service Manual

ORDER NO.
RRV4318

AV Receiver

VSX-422-K

THIS MANUAL IS APPLICABLE TO THE FOLLOWING MODEL(S) AND TYPE(S).

Model	Type	Power Requirement	Remarks
VSX-422-K	SYXE8	AC 220 V to 230 V	

This service manual should be used together with the following manual(s).

Model No.	Order No.	Remarks
VSX-522-K/CUXESM	RRV4296	

For SPECIFICATIONS and PANEL FACILITIES, refer to the operating instructions.

1. CONTRAST OF MISCELLANEOUS PARTS

NOTES: ● Parts marked by "NSP" are generally unavailable because they are not in our Master Spare Parts List.

● The Δ mark found on some component parts indicates the importance of the safety factor of the part.

Therefore, when replacing, be sure to use parts of identical designation.

● Screws adjacent to ∇ mark on product are used for disassembly.

● For the applying amount of lubricants or glue, follow the instructions in this manual.

(In the case of no amount instructions, apply as you think it appropriate.)

● Nos. indicate the pages and Nos. in the service manual for the base model.

● When ordering resistors, first convert resistance values into code form as shown in the following examples.

Ex.1 When there are 2 effective digits (any digit apart from 0), such as 560 ohm and 47k ohm (tolerance is shown by J=5%, and K=10%).

560 Ω \rightarrow 56 x 10¹ \rightarrow 561 RD1/4PU5 6 1 J
 47k Ω \rightarrow 47 x 10³ \rightarrow 473 RD1/4PU4 7 3 J
 0.5 Ω \rightarrow R50 RN2HR 5 0 K
 1 Ω \rightarrow 1R0 RS1P 1 R 0 K

Ex.2 When there are 3 effective digits (such as in high precision metal film resistors).

5.62k Ω \rightarrow 562 x 10¹ \rightarrow 5621 RN1/4PC 5 6 2 1 F

CONTRAST TABLE

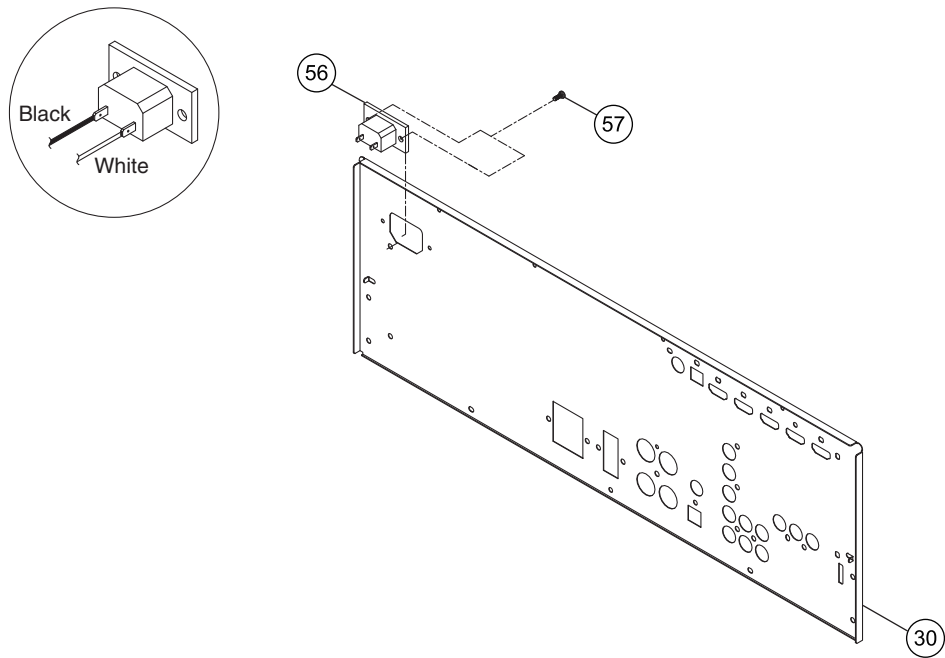
VSX-522-K/CUXESM and VSX-422-K/SYXE8 are constructed the same except for the following:

Mark	No.	Symbol and Description	VSX-522-K/CUXESM	VSX-422-K/SYXE8	Remarks
PCB ASSEMBLIES					
NSP	P62-1	1..PCB TTL ASSY AUDIO 2..AUDIO Assy	7025HK1106013-IL 7028071641060-IL	7025HK1106023-IL 7028071641070-IL	
NSP	P62-2	1..PCB TTL ASSY AMP5 2..AMP5 Assy	7025HK1106015-IL 7028070243010-IL	7025HK1106025-IL 7028070244010-IL	
NSP	P62-3 P62-9	1..PCB TTL ASSY MAIN 2..MAIN Assy 2..WG-A Assy	7025HK1106010-IL 7028071611060-IL 7028071616060-IL	7025HK1106020-IL 7028071611070-IL Not used	
NSP	P62-4	1..PCB TTL ASSY DMAIN 2..D-MAIN Assy	7025HK1106014-IL 7028071651010-IL	7025HK1106024-IL 7028071651020-IL	
NSP	P62-5 P62-19	1..PCB TTL ASSY VIDEO 2..VIDEO Assy 2..STBY Assy	7025HK1106012-IL 7028071631010-IL 7028071632010-IL	7025HK1106022-IL 7028071631020-IL 7028071632020-IL	
NSP	P62-13 P62-15 P62-16 P62-17	1..PCB TTL ASSY FRONT 2..FRONT Assy 2..HP Assy 2..MIC Assy 2..F-USB Assy	7025HK1106011-IL 7028071621060-IL 7028071622060-IL 7028071624060-IL 7028071625060-IL	7025HK1106021-IL 7028071621070-IL 7028071622070-IL 7028071624070-IL Not used	
PACKING SECTION					
	P59-5	Quick Start Guide	5707000006490-IL	5707000006510-IL	
	P59-6	Operating Instructions (CD-ROM)	6517000000500-IL	6517000000520-IL	
		Operating Instructions (En) (pdf)	ARB7467	ARB7471	
		Operating Instructions (Fr) (pdf)	ARC8034	ARC8046	
		Operating Instructions (De) (pdf)	Not used	ARC8047	
		Operating Instructions (It) (pdf)	Not used	ARC8048	
		Operating Instructions (Es) (pdf)	ARC8035	ARC8049	
		Operating Instructions (NI) (pdf)	Not used	ARC8050	
		Operating Instructions (Ru) (pdf)	Not used	ARC8051	
	P59-7	Box, Gift	6007212070000-IL	6007212070010-IL	
NSP	P59-10	Warranty Card	ARY7156	ARY7158	
Δ		AC Power Cord	Not used	L068250160020-IL	

Mark	No.	Symbol and Description	VSX-522-K/CUXESM	VSX-422-K/SYXE8	Remarks
EXTERIOR SECTION					
⚠	P62-20	Cord Assy	L068125101710-IL	Not used	
⚠	P62-21	Power Trans	8200960611230-IL	8200960610920-IL	
	P62-29	Front Panel	3067215481000-IL	3067215481100-IL	
	P62-30	Back Chassis	3207214176000S-IL	3207214176100-IL	
	P62-36	USB Mic Plate 522	4470212416000-IL	Not used	
	P62-37	Window Upper	5077213113080-IL	5077213113010-IL	
	P62-38	Window Lower	5077213123300-IL	5077213123130-IL	
⚠		Socket, Power AC	Not used	G430040560021-IL	No.56
		Screw	Not used	CBZ30P080FTB	No.57

Notes : The numbers in the remarks column correspond to the numbers on the "EXPLODED VIEWS".
 For PCB ASSEMBLIES, Refer to "CONTRAST OF PCB ASSEMBLIES".

EXPLODED VIEWS
EXTERIOR SECTION



CONTRAST OF PCB ASSEMBLIES**A F AUDIO ASSY**

- A Although 7028071641060-IL and 7028071641070-IL are different in part number and they are NOT COMPATIBLE, they consist of the same service components.

B F AMP5 ASSY

- B Although 7028070243010-IL and 7028070244010-IL are different in part number and they are NOT COMPATIBLE, they consist of the same service components.

C F MAIN ASSY

7028071611060-IL and 7028071611070-IL are constructed the same except for the following:

Mark	Symbol and Description	7028071611060-IL	7028071611070-IL	Remarks
	601 TUNER,FM/AM	E903004100780-IL	E903104100780-IL	

Note: For the above Assy's, apart from the registered parts for service described above, some nonregistered parts are also different.

D F D-MAIN ASSY

7028071651010-IL and 7028071651020-IL are constructed the same except for the following:

Mark	Symbol and Description	7028071651010-IL	7028071651020-IL	Remarks
	IC2021	341S2162	Not used	

Note: For the above Assy's, apart from the registered parts for service described above, some nonregistered parts are also different.

E F VIDEO ASSY

7028071631010-IL and 7028071631020-IL are constructed the same except for the following:

Mark	Symbol and Description	7028071631010-IL	7028071631020-IL	Remarks
	X1200 CRYSTAL	E80014R318080-IL	Not used	
	X1201 CRYSTAL	Not used	E80017R734410-IL	

The mounting positions of the additional parts are described in the circuit diagram and PCB diagram of the parent manual.

Note: For the above Assy's, apart from the registered parts for service described above, some nonregistered parts are also different.

D M F FRONT ASSY

7028071621060-IL and 7028071621070-IL are constructed the same except for the following:

Mark	Symbol and Description	7028071621060-IL	7028071621070-IL	Remarks
	LED702	K500052009011-IL	Not used	
	R779, R780	C060001063050-IL	C0602R2063050-IL	

O F HP ASSY

- O Although 7028071622060-IL and 7028071622070-IL are different in part number and they are NOT COMPATIBLE, they consist of the same service components.

E P F MIC ASSY

- E Although 7028071624060-IL and 7028071624070-IL are different in part number and they are NOT COMPATIBLE, they consist of the same service components.

S F STBY ASSY

7028071632010-IL and 7028071632020-IL are constructed the same except for the following:

Mark	Symbol and Description	7028071632010-IL	7028071632020-IL	Remarks
⚠	FU301 FUSE GLASS TUBE 20mm	N751506301160-IL	N751503151160-IL	
⚠	T301 POWER TRANS	8200280150620-IL	8200280150680-IL	
⚠	CP301 CONNECTOR	L108202000220-IL	Not used	

Note: For the above Assy's, apart from the registered parts for service described above, some nonregistered parts are also different.