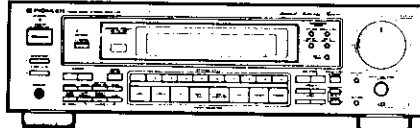


**PIONEER**  
The Art of Entertainment

PC-1

# Service Manual



\* Illustration shows model VSX 4900S

ORDER NO.  
**ARZ2263**

AUDIO/VIDEO STEREO RECEIVER

# VSX-4900S

## VSX-4800

## VSX-51

CIRCUIT DIAGRAMS &  
PATTERN LAYOUTS  
WITH MICROFICHE

(MICROFICHE PORTION LOCATED INSIDE BACK COVER)

**PIONEER ELECTRONIC CORPORATION** 4-1, Meguro 1-Chome, Meguro-ku, Tokyo 153, Japan

**PIONEER ELECTRONICS SERVICE INC.** P.O. Box 1760, Long Beach, California 90801 U.S.A.

**PIONEER ELECTRONICS OF CANADA, INC.** 505 Cochrane Drive, Markham, Ontario L3R 8E3 Canada

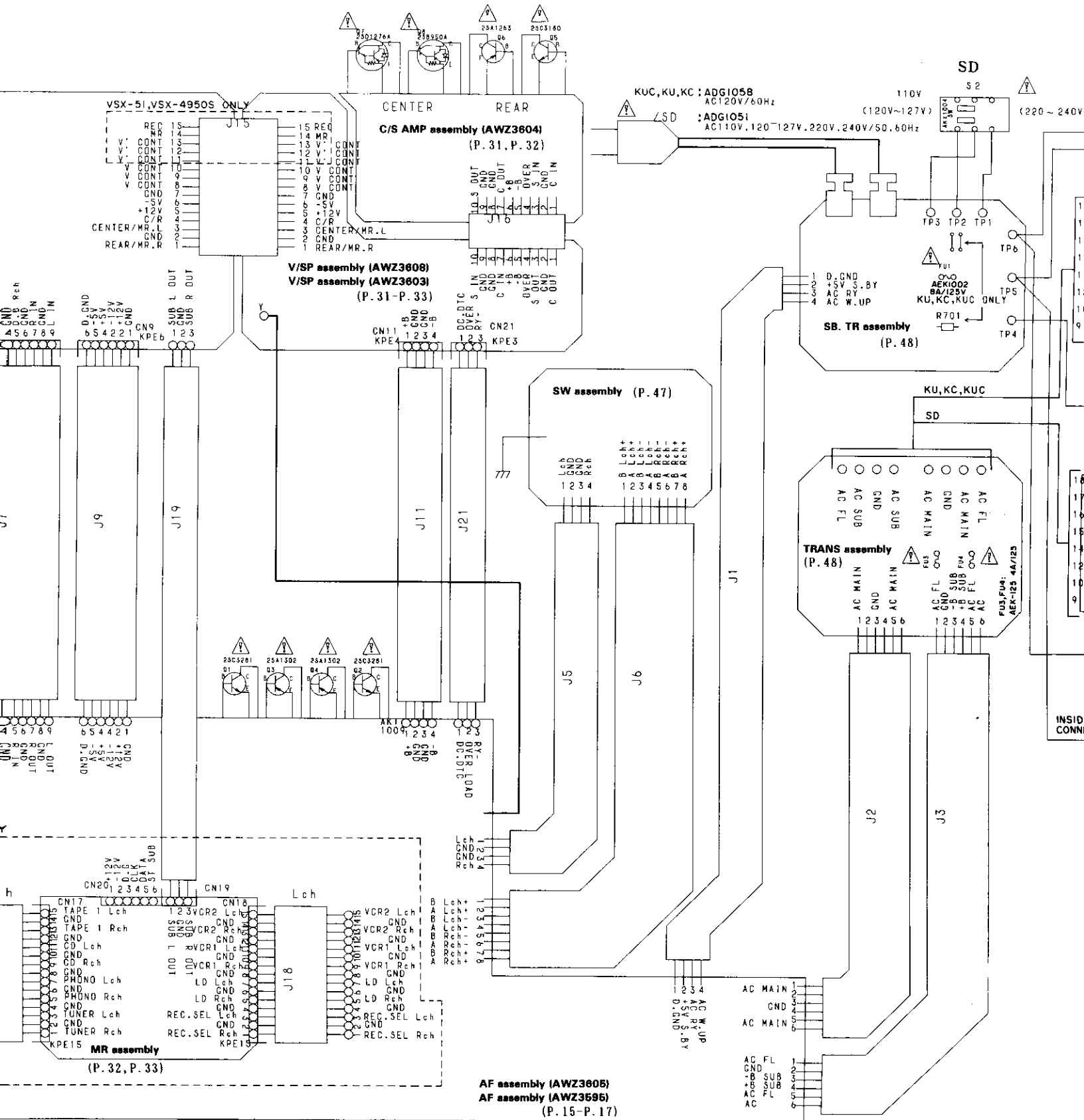
**PIONEER ELECTRONIC [EUROPE] N.V.** Keetberglaan 1, 9120 Beveren, Belgium

**PIONEER ELECTRONICS AUSTRALIA PTY. LTD.** 178-184 Boundary Road, Braeside, Victoria 3195, Australia TEL: [03] 580-9911

© **PIONEER ELECTRONIC CORPORATION 1991**

YV MAY 1991 Printed in Japan





- :FRONT SIGNAL
- :TUNER AM SIGNAL
- :DOLBY PROLOGIC FRONT SIGNAL
- :DOLBY PROLOGIC CENTER SIGNAL
- :DOLBY PROLOGIC SUB(REAR) SIGNAL
- :MR (MULTI ROOM) SIGNAL

AF assembly (AWZ3605)  
 AF assembly (AWZ3606)  
 (P. 15-P. 17)



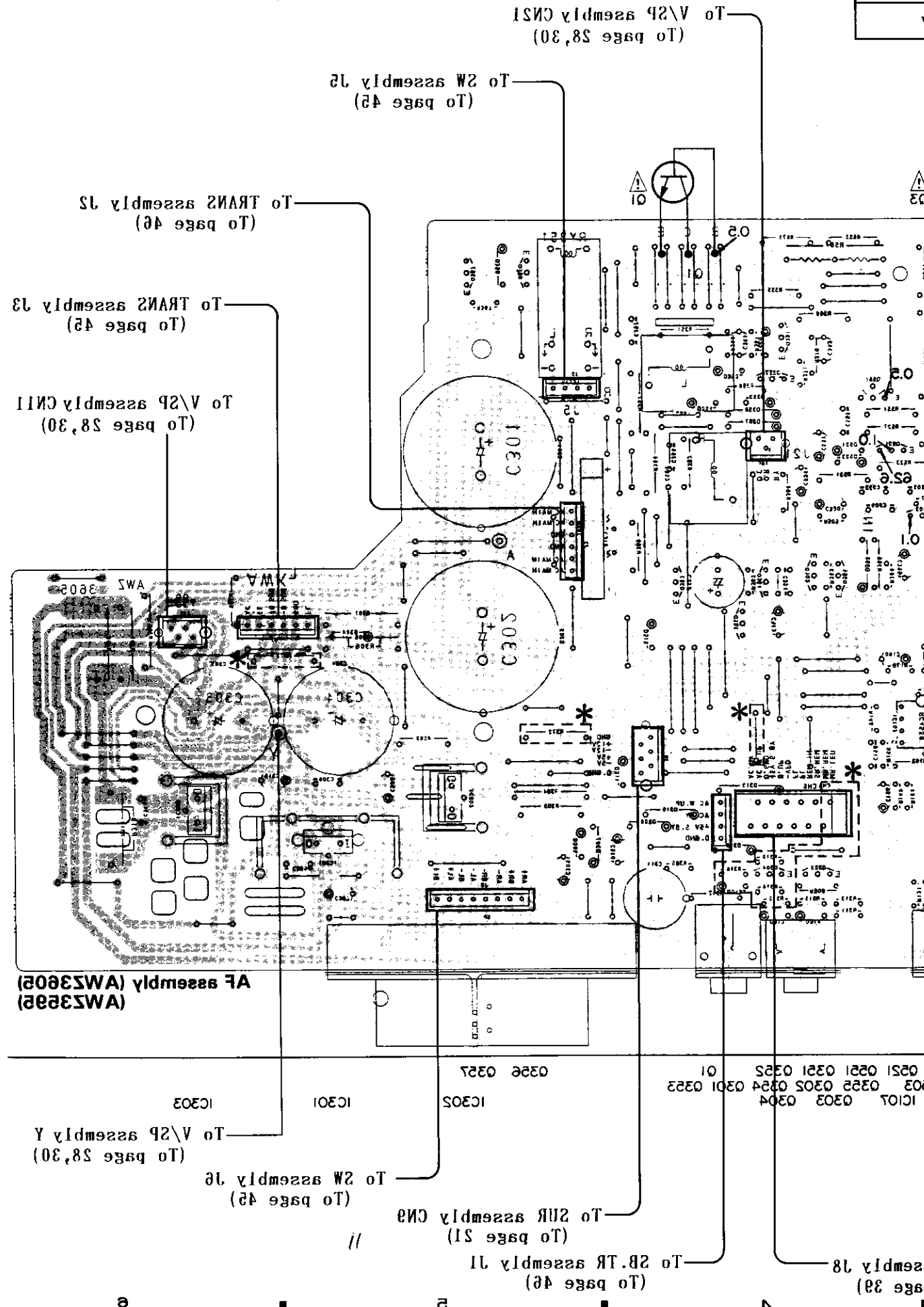
This P.C.B. connection diagram is viewed from the foil side.

A

B

C

D



AF assembly (AW3905)  
(AW3905)

To TRANS assembly 12  
(To page 46)

To TRANS assembly 13  
(To page 45)

To V/2P assembly 11  
(To page 28,30)

IC303  
To V/2P assembly Y  
(To page 28,30)

To 2W assembly 16  
(To page 45)

To 2UR assembly 19  
(To page 21)

To 2B.TR assembly 11  
(To page 46)

To 2W assembly 15  
(To page 45)

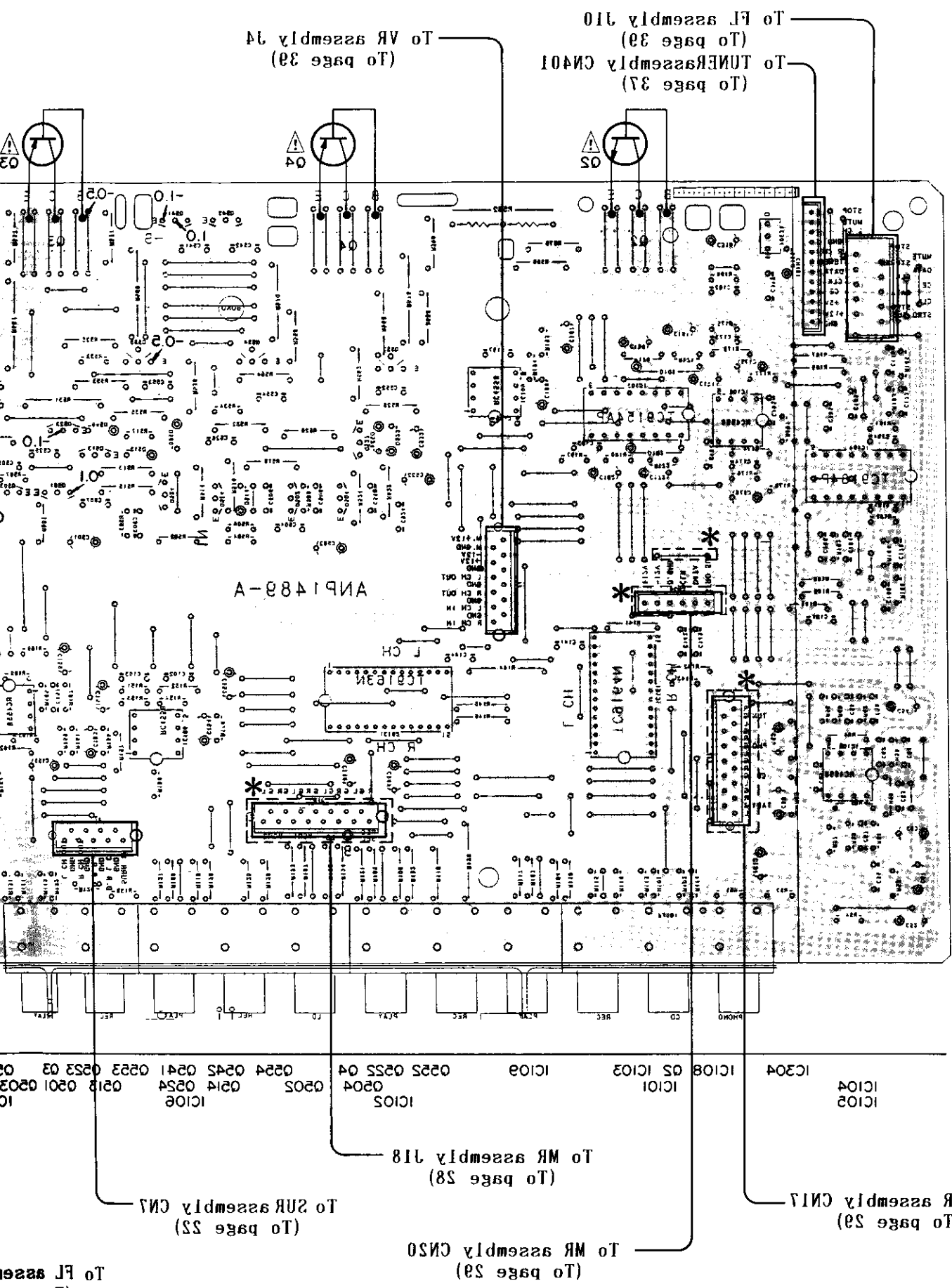
To V/2P assembly 12  
(To page 28,30)

IC305  
IC301  
IC302  
0351 0352 0353 0354 0355 01

assembly 18  
(page 30)

pages only

\* : V2X - 51 KU and V2X - 4952 KC types only  
※ : V2X - 49002 \ KUC, V2X - 4800 \ KUC, 2D types



A

B

C

D

To FL assembly 110 (To page 39)

3

5

1

※ : VSX-4900S/KUC, VSX-4800/KUC, SD types only

\* : VSX-51/KU and VSX-4950S/KC types only

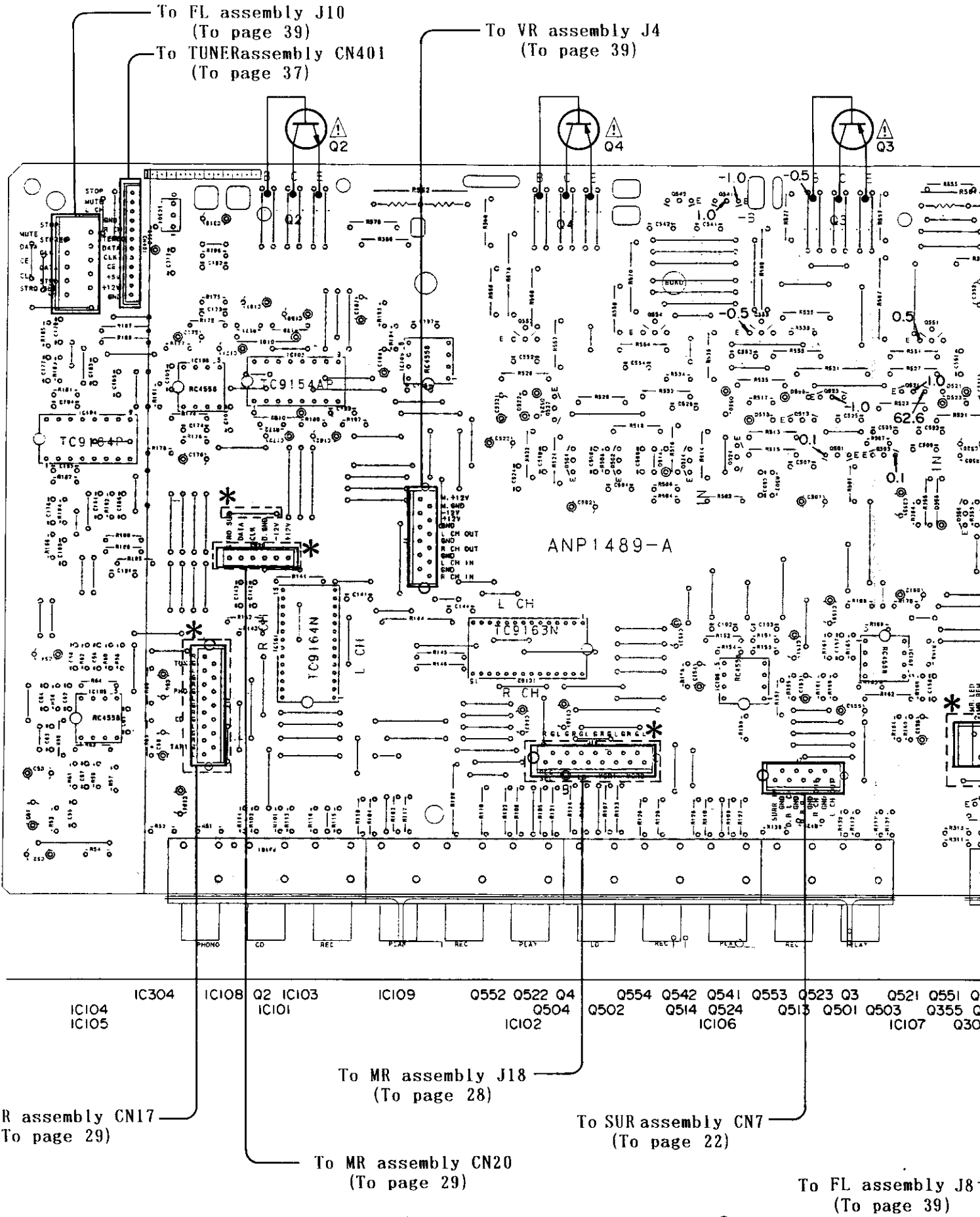
4.2 AF assembly (AWZ3605)

A

B

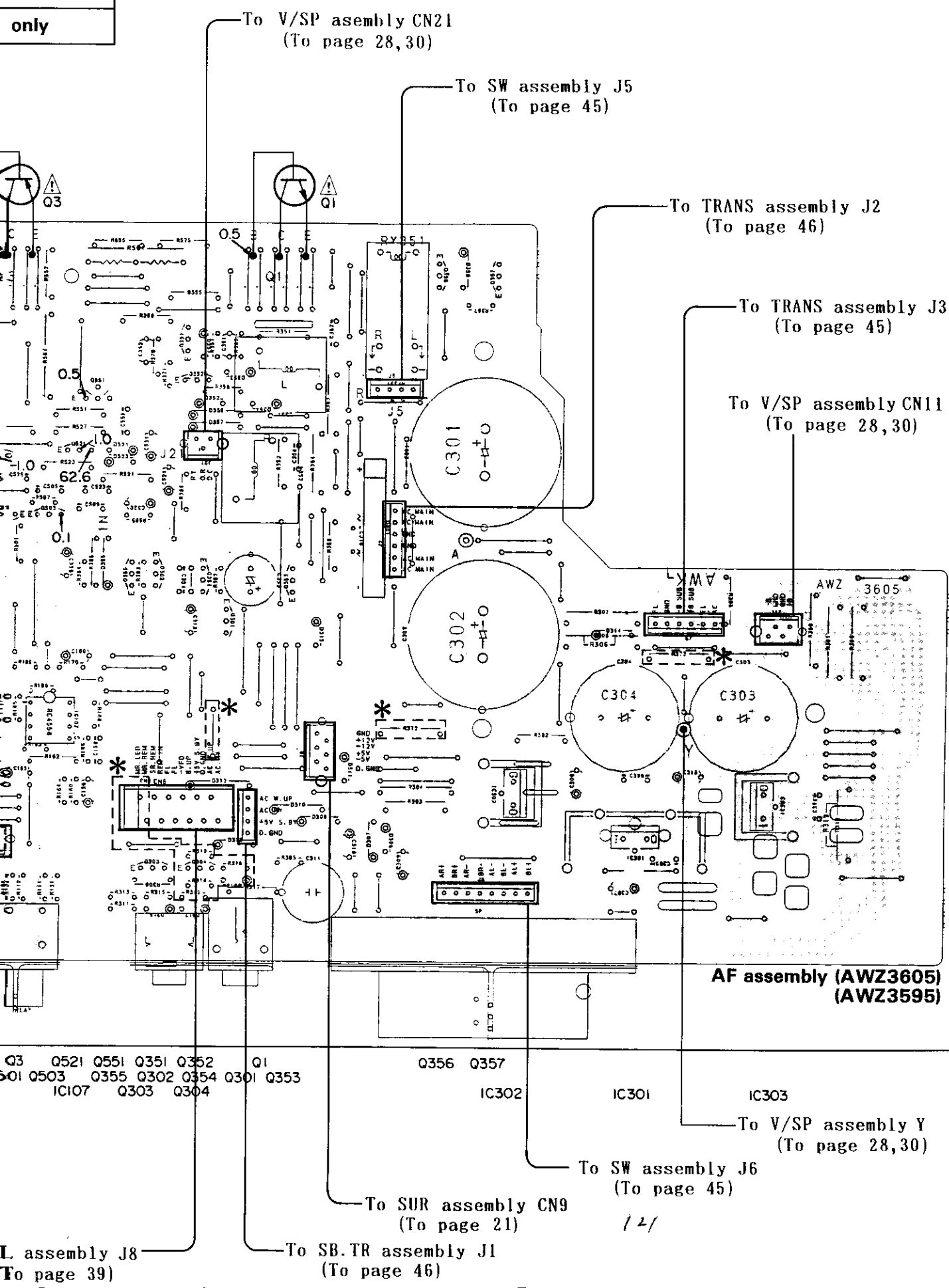
C

D



To FL assembly J8 (To page 39)

types only  
only



A

B

C

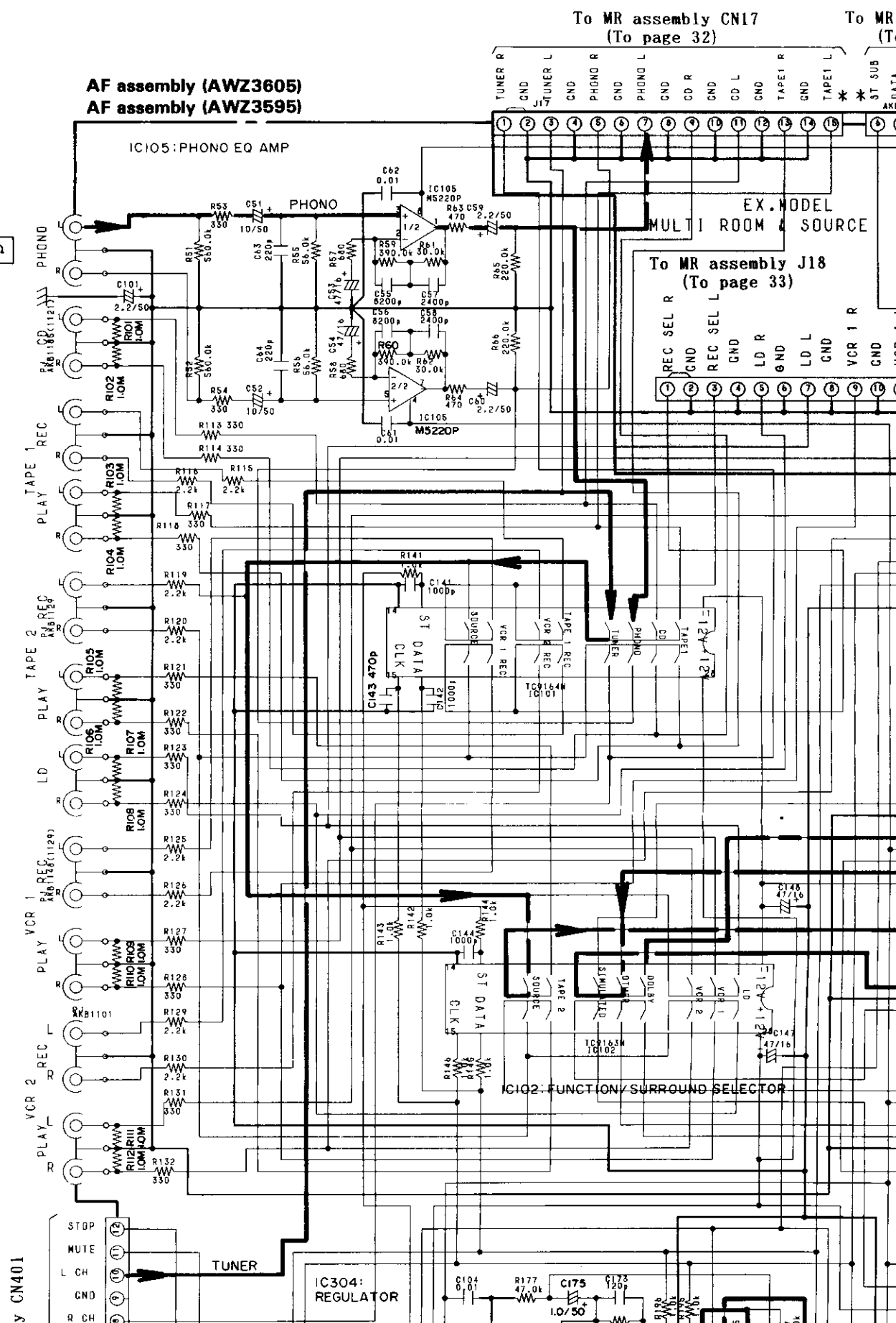
D

L assembly J8  
To page 39)

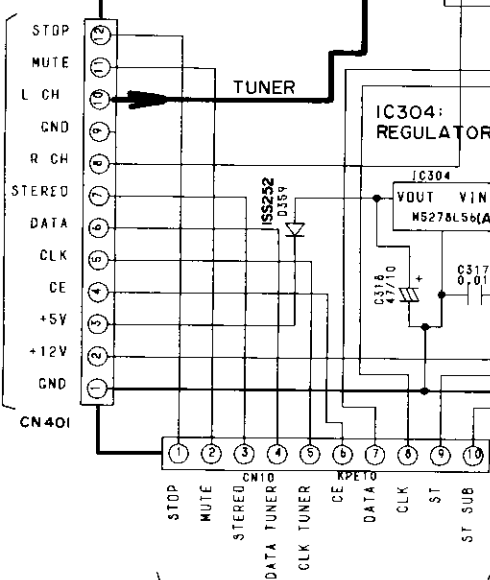


**AF assembly (AWZ3605)**  
**AF assembly (AWZ3595)**

2.5mV/47kΩ

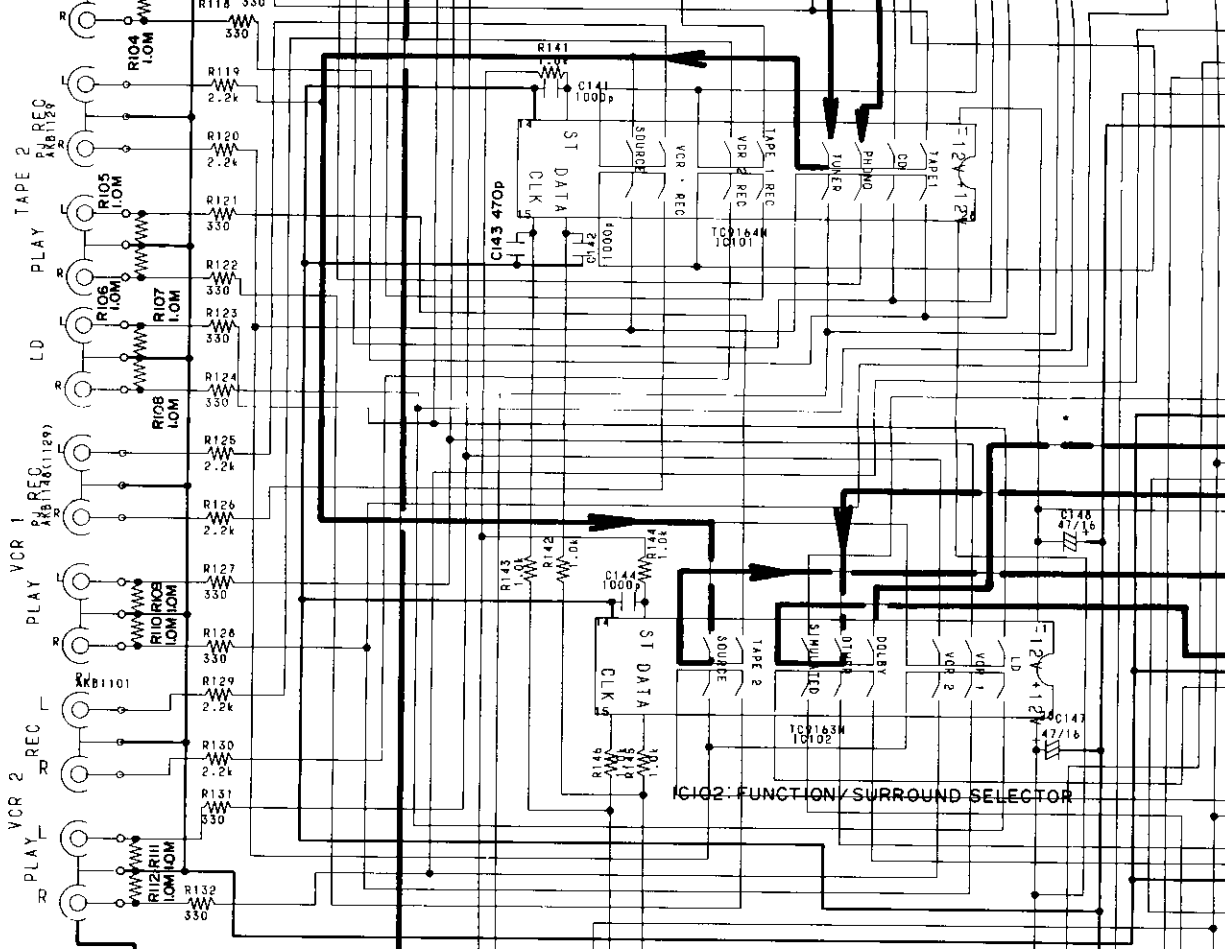


To TUNER assembly CN401  
(To page 34)



To FL assembly J10  
(To page 35)

15



IC102: FUNCTION/SURROUND SELECTOR

IC304: REGULATOR

IC304: N5278L50(A)

IC108: M5220P

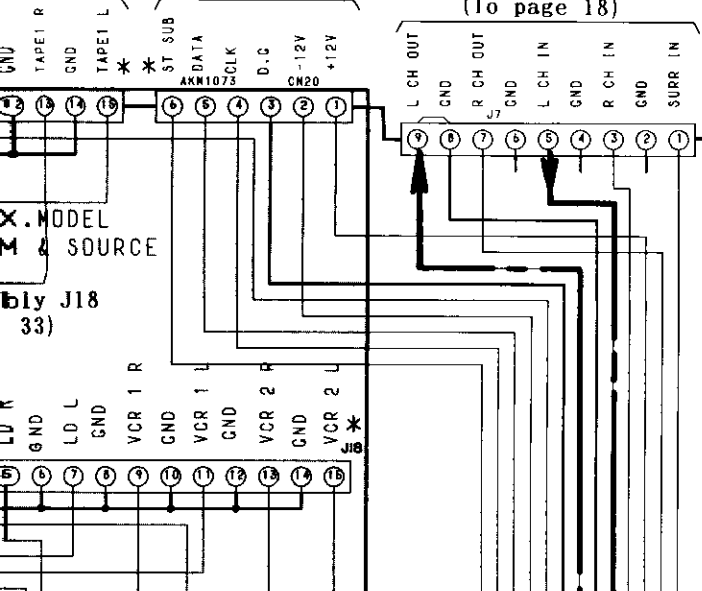
IC103: TC9154AP

IC104: TC9184M

IC103, IC104, IC108: TONE B BALANCE

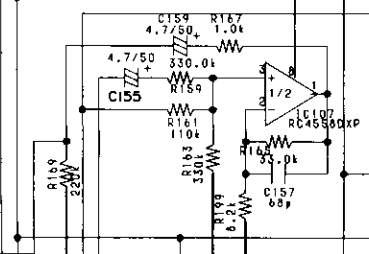
To MR assembly CN20  
(To page 32)

To SUR assembly CN7  
(To page 18)

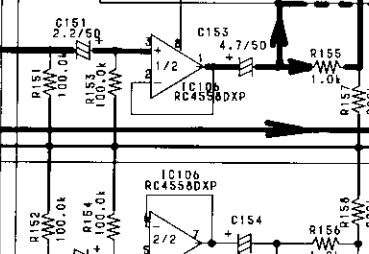


X MODEL  
& SOURCE  
by J18  
(33)

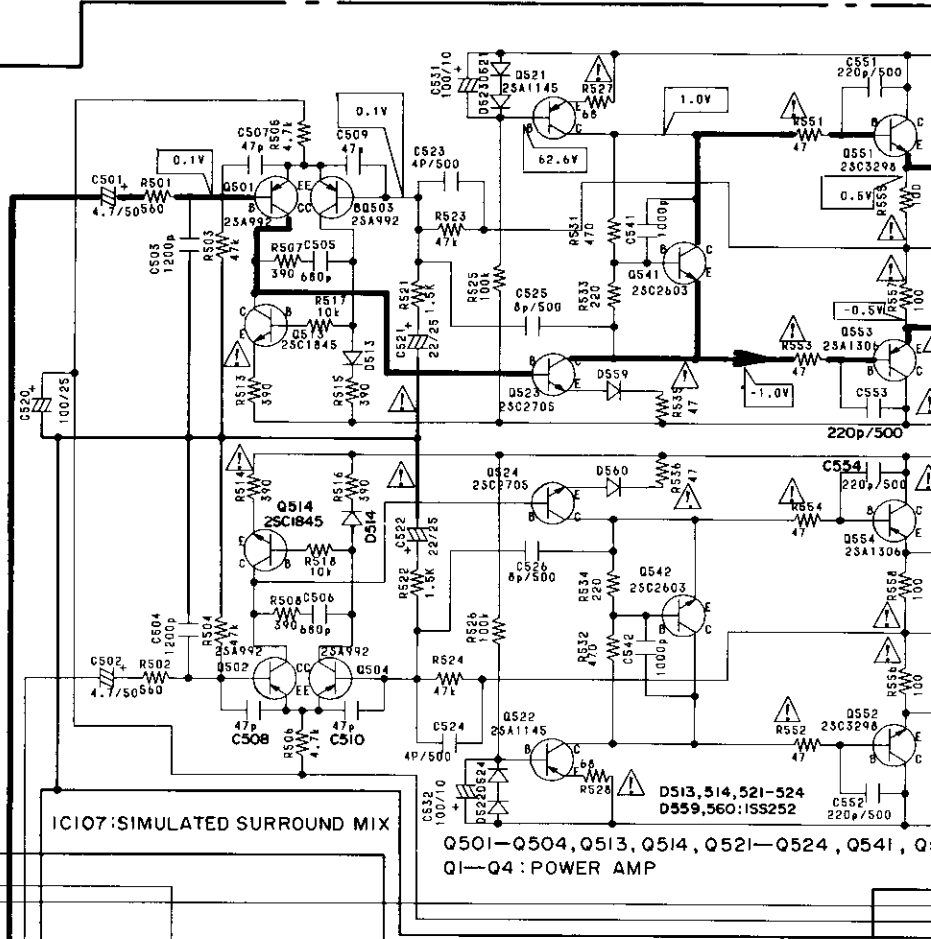
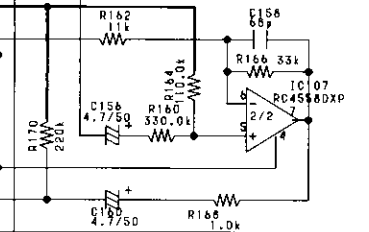
IC101:FUNCTION SELECTOR



IC102: 0.01



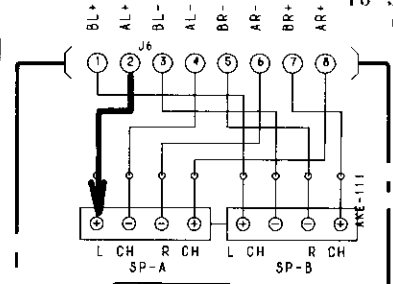
IC106: BUFFER



IC107:SIMULATED SURROUND MIX

Q501-Q504, Q513, Q514, Q521-Q524, Q541, Q542  
Q1-Q4: POWER AMP

To SW assembly J6  
(To page 47)

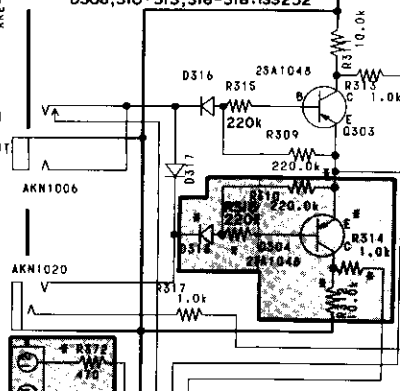


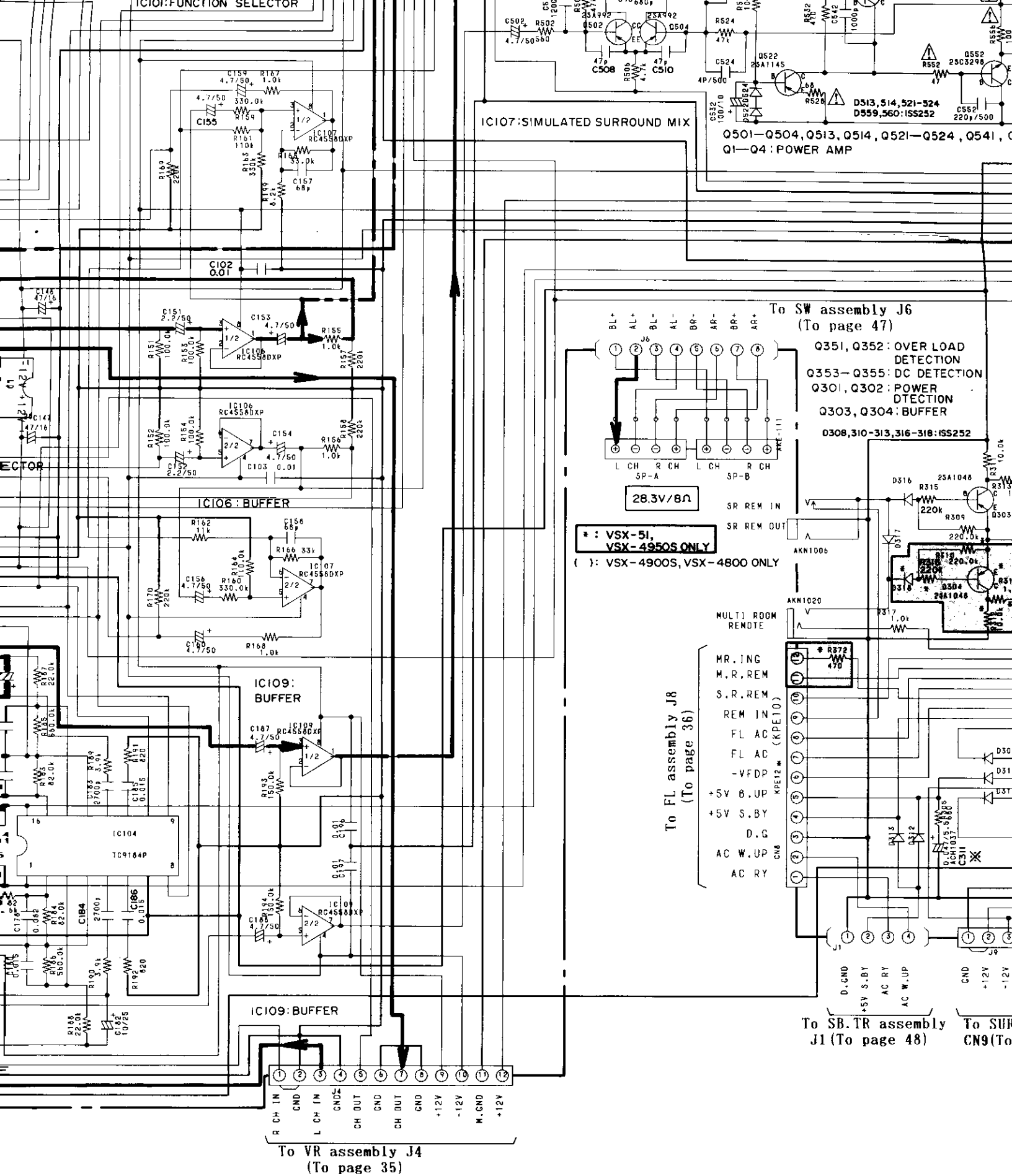
Q351, Q352: OVER LOAD  
DETECTION  
Q353-Q355: DC DETECTION  
Q301, Q302: POWER  
DETECTION  
Q303, Q304: BUFFER  
D308, 310-313, 316-318: ISS252

\* : VSX-51,  
VSX-4950S ONLY  
( ) : VSX-4900S, VSX-4800 ONLY

MULTI ROOM  
REMOTE

MR. ING  
M. D. DEM





IC101:FUNCTION SELECTOR

IC107:SIMULATED SURROUND MIX

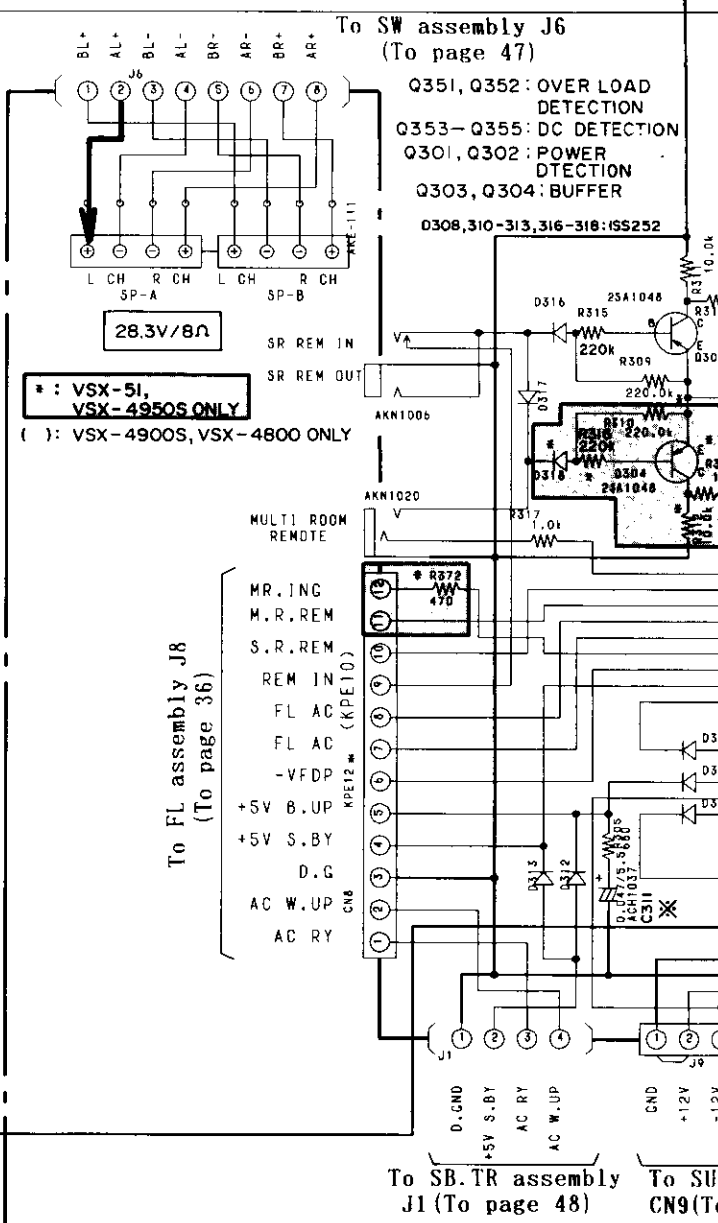
Q501-Q504, Q513, Q514, Q521-Q524, Q541, Q1-Q4: POWER AMP

IC106: BUFFER

IC109: BUFFER

IC109: BUFFER

To VR assembly J4  
(To page 35)



To SW assembly J6  
(To page 47)

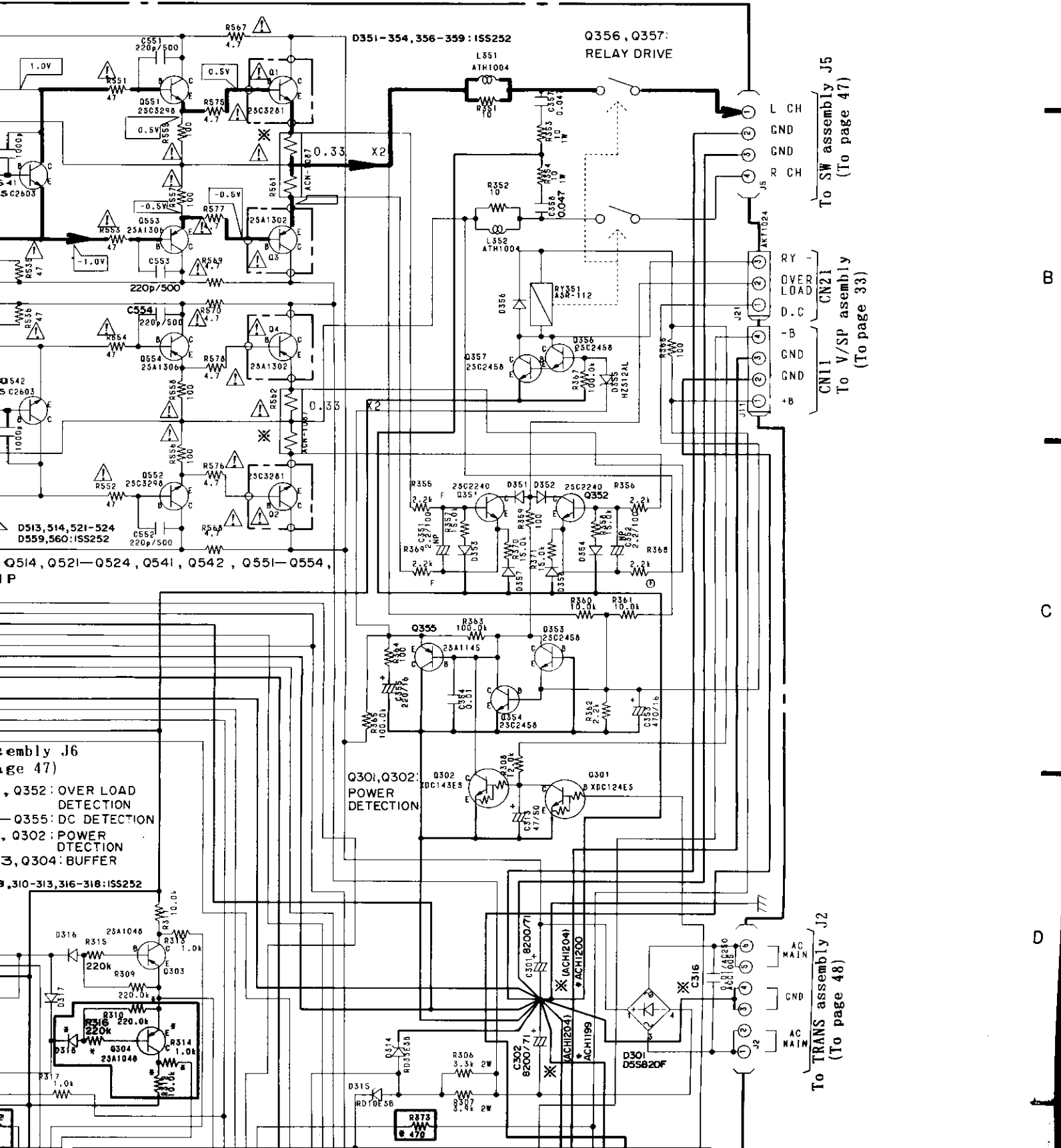
Q351, Q352: OVER LOAD DETECTION  
Q353-Q355: DC DETECTION  
Q301, Q302: POWER DETECTION  
Q303, Q304: BUFFER

To FL assembly J8  
(To page 36)

To SB.TR assembly J1 (To page 48)

To SUR CN9(To

16



A

B

C

D

To SW assembly J5  
(To page 47)

CN11  
To V/SP assembly  
(To page 33)

To TRANS assembly J2  
(To page 48)

assembly J6  
(To page 47)

Q352: OVER LOAD  
DETECTION

Q355: DC DETECTION

Q302: POWER  
DETECTION

Q303, Q304: BUFFER

Q310-313, 316-318: ISS252

D351-354, 356-359: ISS252

Q356, Q357:  
RELAY DRIVE

L CH  
GND  
GND  
R CH

RY  
OVER  
LOAD  
D.C  
-B  
GND  
GND  
+B

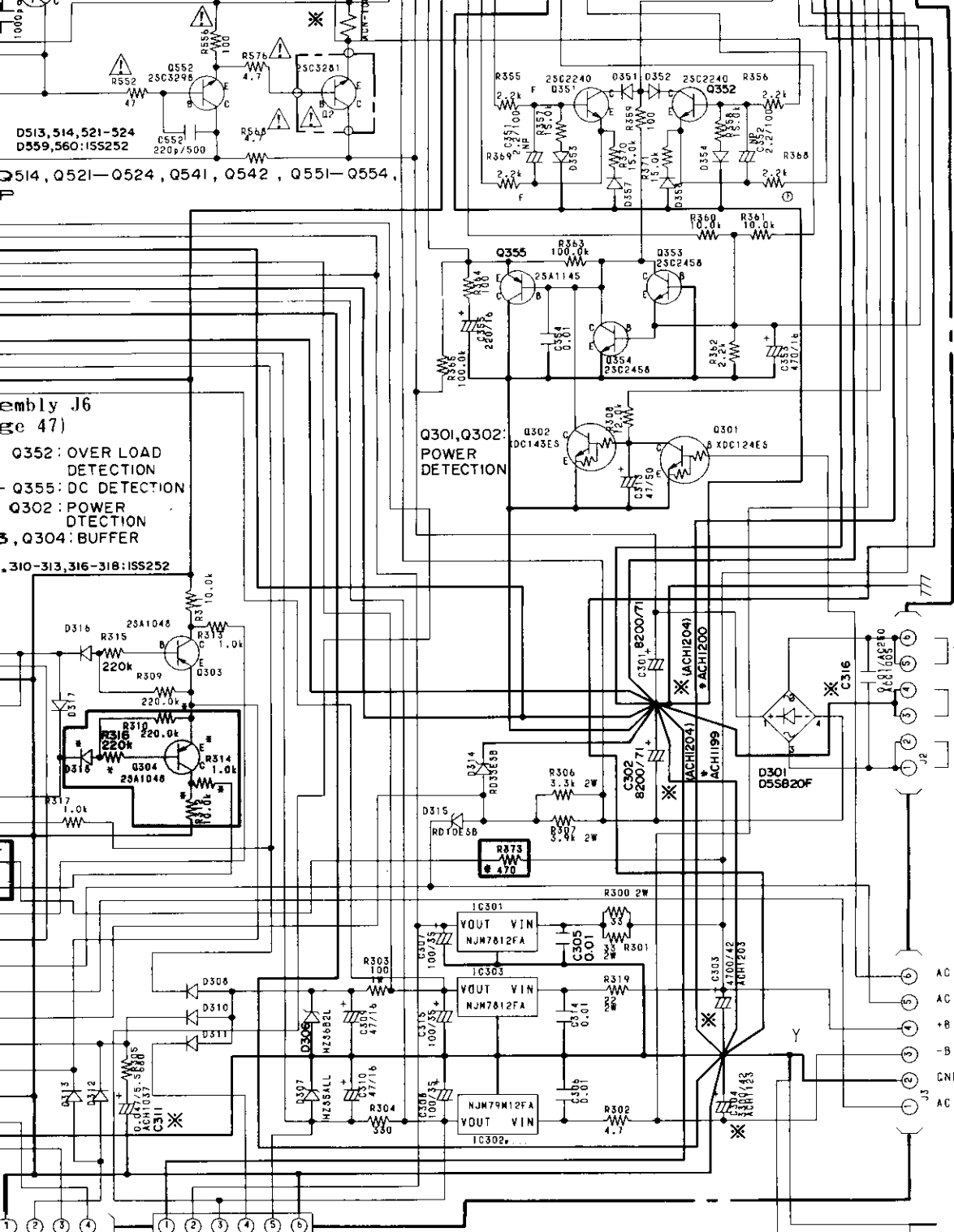
J21  
J22  
J23  
J24  
J25  
J26  
J27  
J28  
J29  
J30  
J31  
J32

AC  
MAIN  
GND  
AC  
MAIN

Q301, Q302:  
POWER  
DETECTION

D301  
D302

R373  
470



assembly J6  
(page 47)

Q352: OVER LOAD  
DETECTION  
Q355: DC DETECTION  
Q302: POWER  
DETECTION  
Q301, Q303: BUFFER

IC310-IC313, IC316-IC318: ISS252

Q301, Q302:  
POWER  
DETECTION

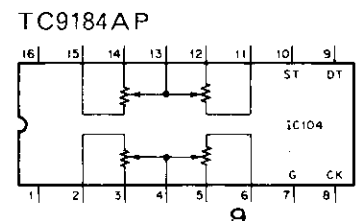
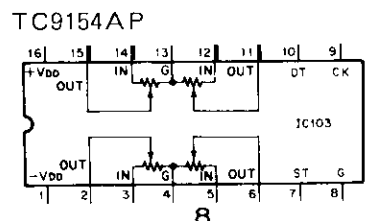
To TRANS assembly J2  
(To page 48)

To TRANS assembly J3  
(To page 48)

IC301-IC303: REGULATOR

To TR assembly  
(page 48)

To SUR assembly  
CN9 (To page 18)



4.3 SUR assembly (AWZ3606)

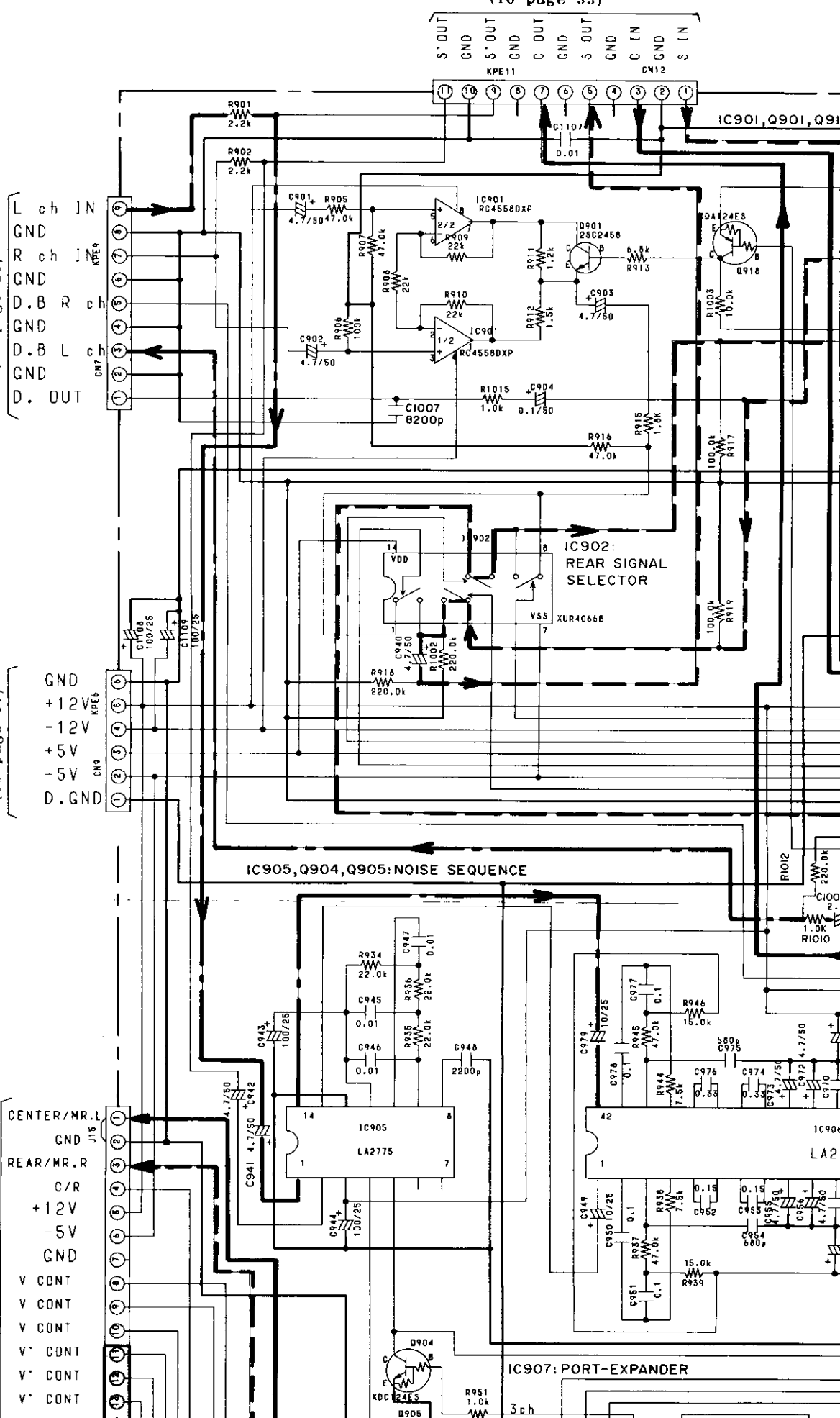
To VR assembly J12  
(To page 35)

A  
B  
C  
D

To AF assembly J7  
(To page 16)

To AF assembly J9  
(To page 17)

To V/SP assembly J15  
(To page 33)



To AF assembly J9  
(To page 17)

- GND
- +12V
- 12V
- +5V
- 5V
- D.GND

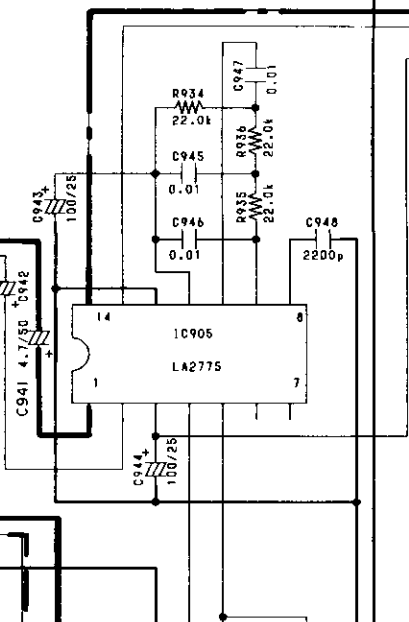
To V/SP assembly J15  
(To page 33)

- CENTER/MR.L
- GND
- REAR/MR.R
- C/R
- +12V
- 5V
- GND
- V CONT
- V CONT
- V CONT
- V\* CONT
- V\* CONT
- V\* CONT
- MR
- REC \*

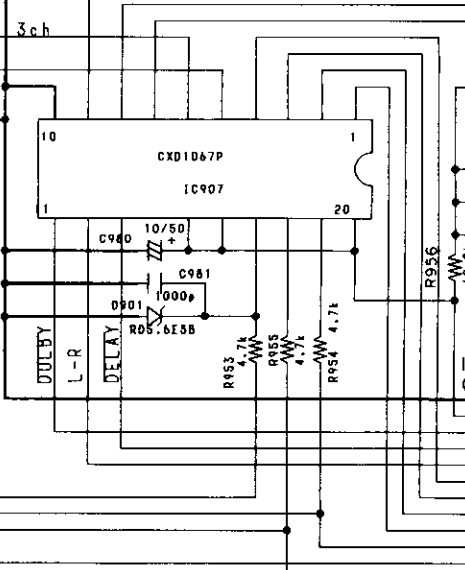
To FL assembly J14  
(To page 35)

- ST3
- ST2
- CLK
- DATA
- C/R SP
- V CONT
- V CONT
- V CONT
- V\* CONT
- V\* CONT
- V\* CONT
- MR SP
- REC \*

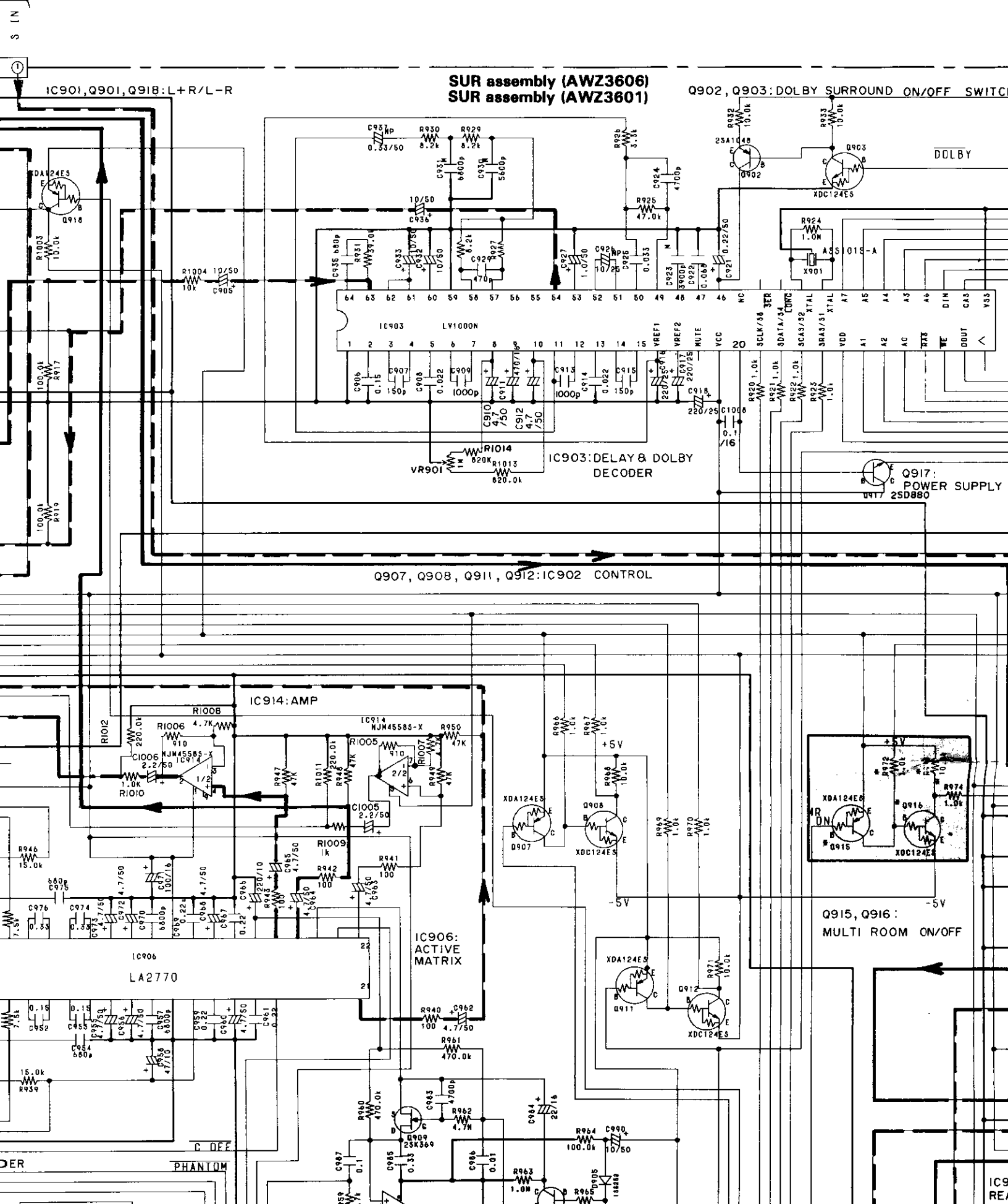
IC905, Q904, Q905: NOISE SEQUENCE



IC907: PORT-EXPANDER







**SUR assembly (AWZ3606)**  
**SUR assembly (AWZ3601)**

Q902, Q903: DOLBY SURROUND ON/OFF SWITCH

IC901, Q901, Q918: L+R/L-R

DOLBY

IC903: DELAY & DOLBY DECODER

Q907, Q908, Q911, Q912: IC902 CONTROL

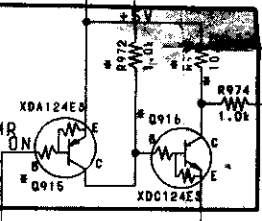
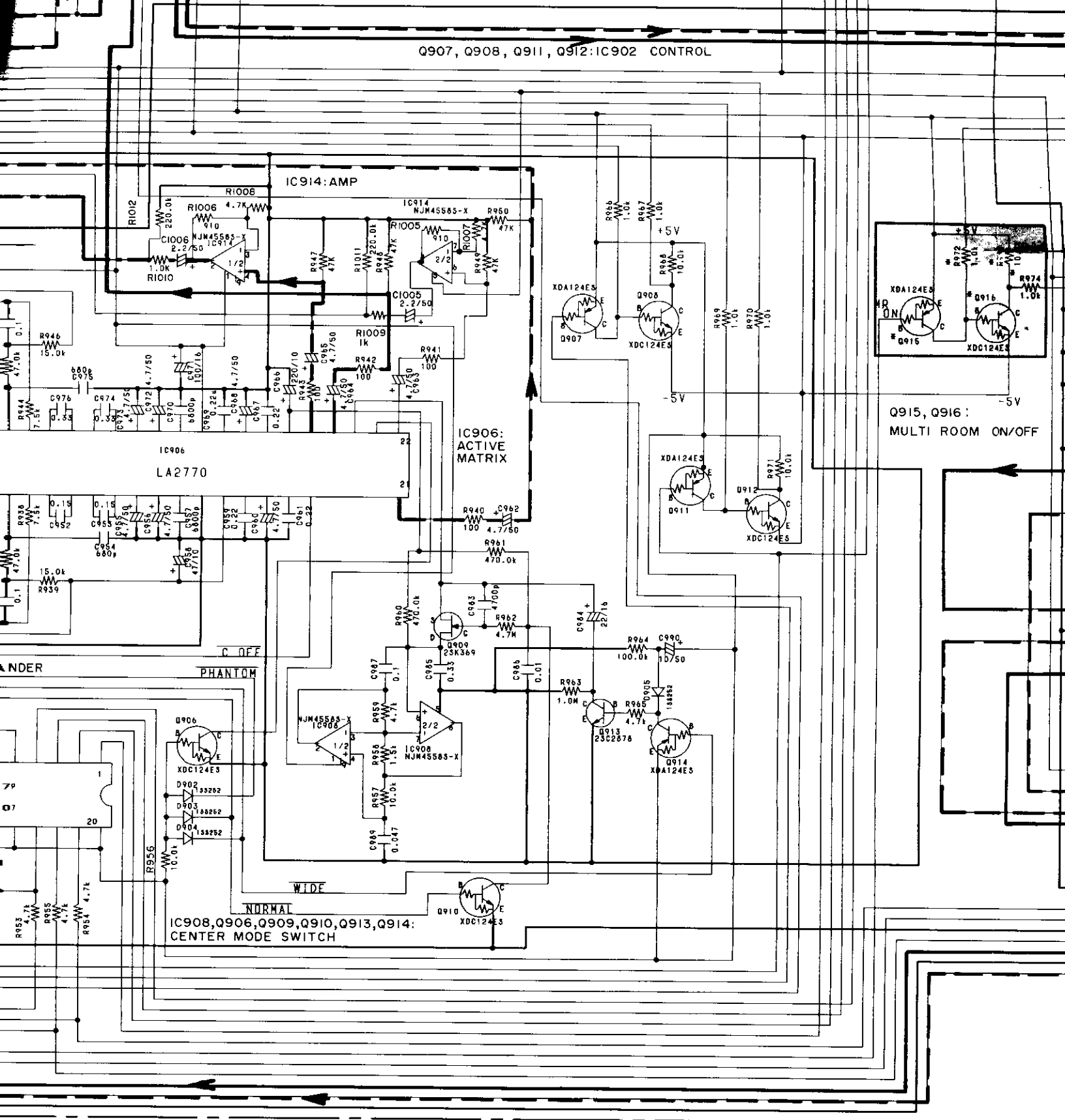
Q917: POWER SUPPLY  
 U917 25D880

Q915, Q916: MULTI ROOM ON/OFF

PHANTOM

IC9 RE

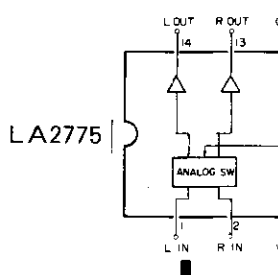
Q907, Q908, Q911, Q912: IC902 CONTROL



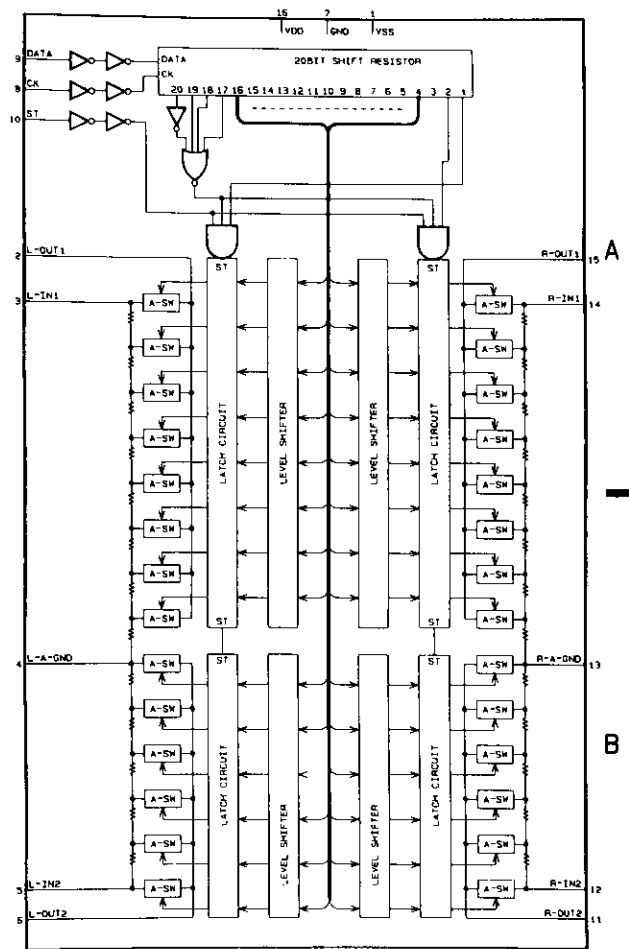
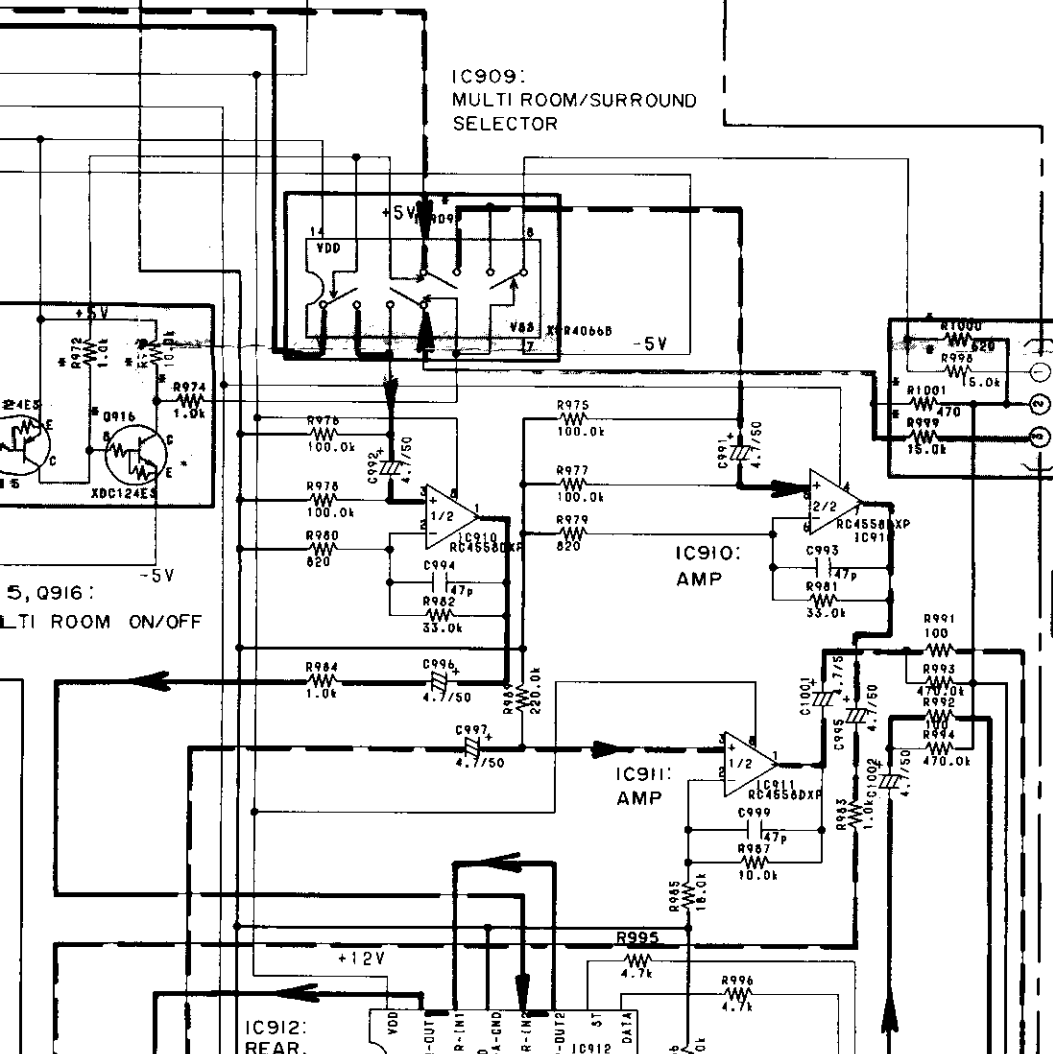
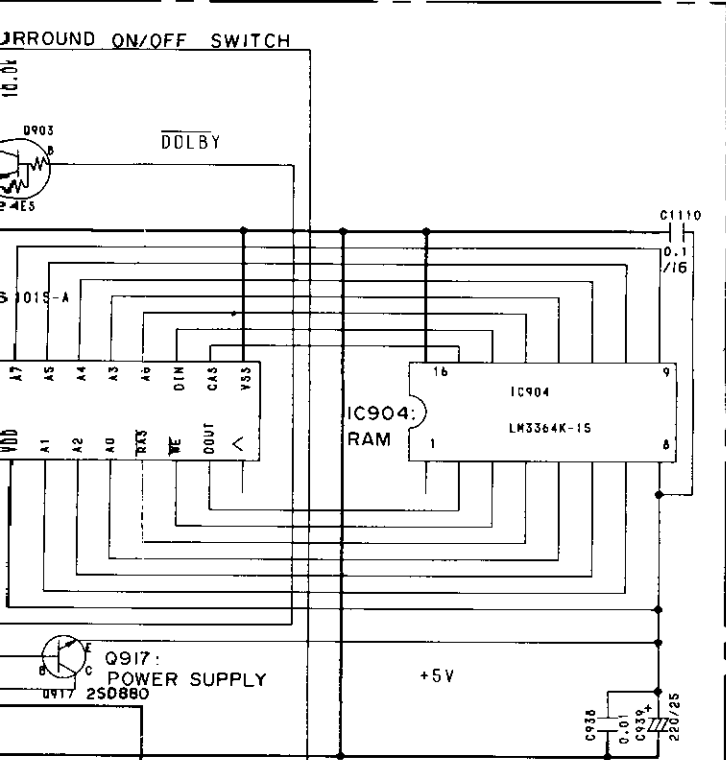
Q915, Q916 : MULTI ROOM ON/OFF

IC908, Q906, Q909, Q910, Q913, Q914: CENTER MODE SWITCH

14



LA2775

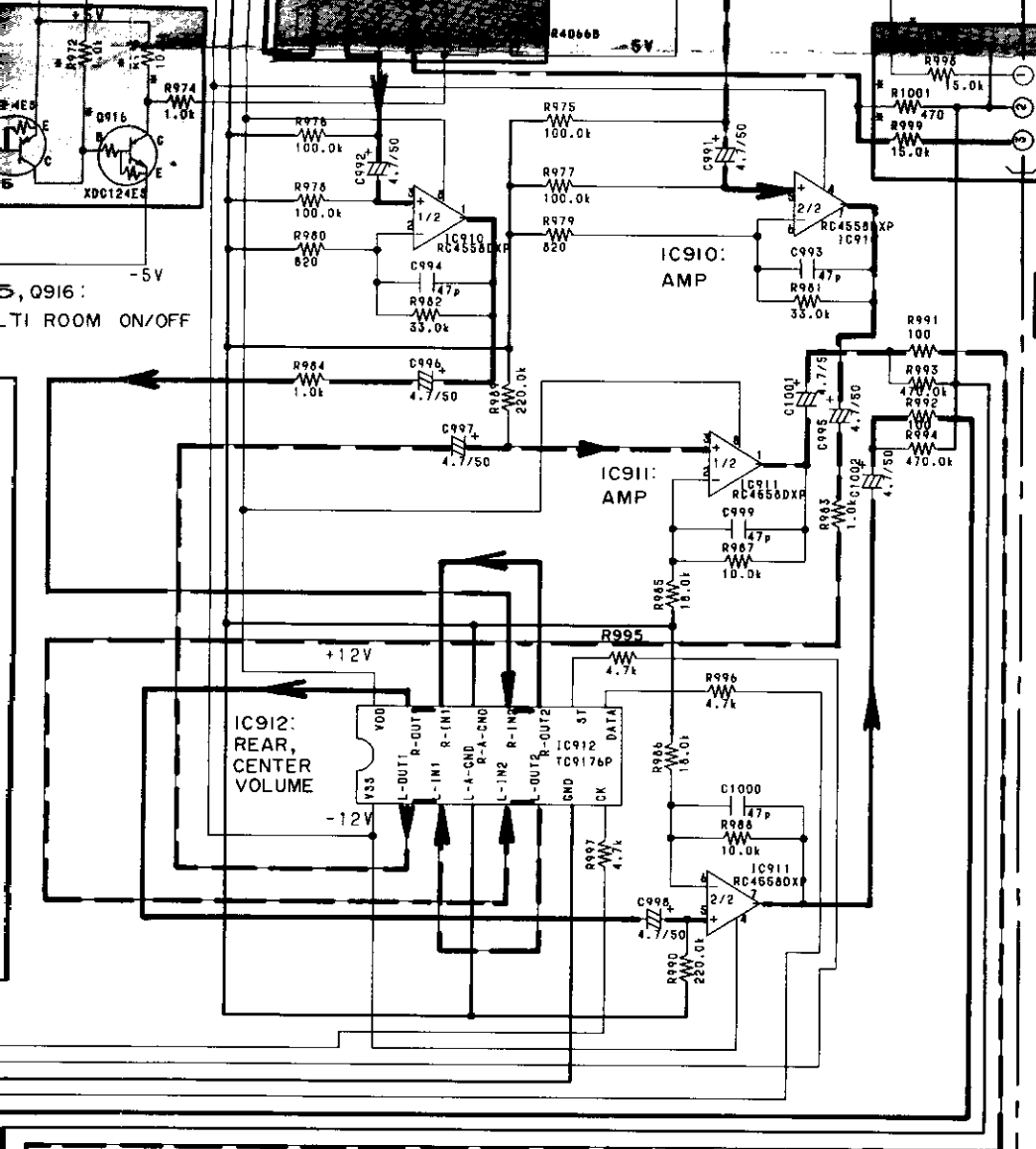


To MR assembly CN19  
(To page 33)

MR.Rch  
GND  
MR.Lch

X:VSX-51,  
VSX-4950S  
ONLY

IC909:  
MULTI ROOM/SURROUND  
SELECTOR



To MR assembly CN19  
(To page 33)

X:VSX-51,  
VSX-4950S  
ONLY

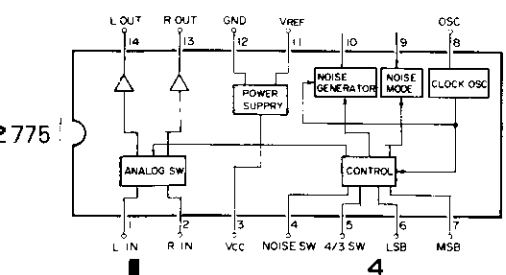
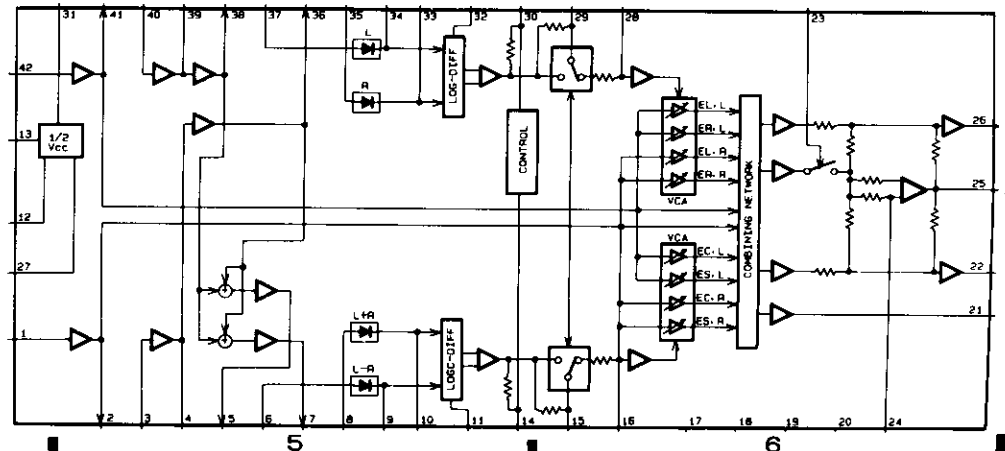
5, Q916:  
MULTI ROOM ON/OFF

IC912:  
REAR,  
CENTER  
VOLUME

IC910:  
AMP

IC911:  
AMP

LA2770



30

2775!

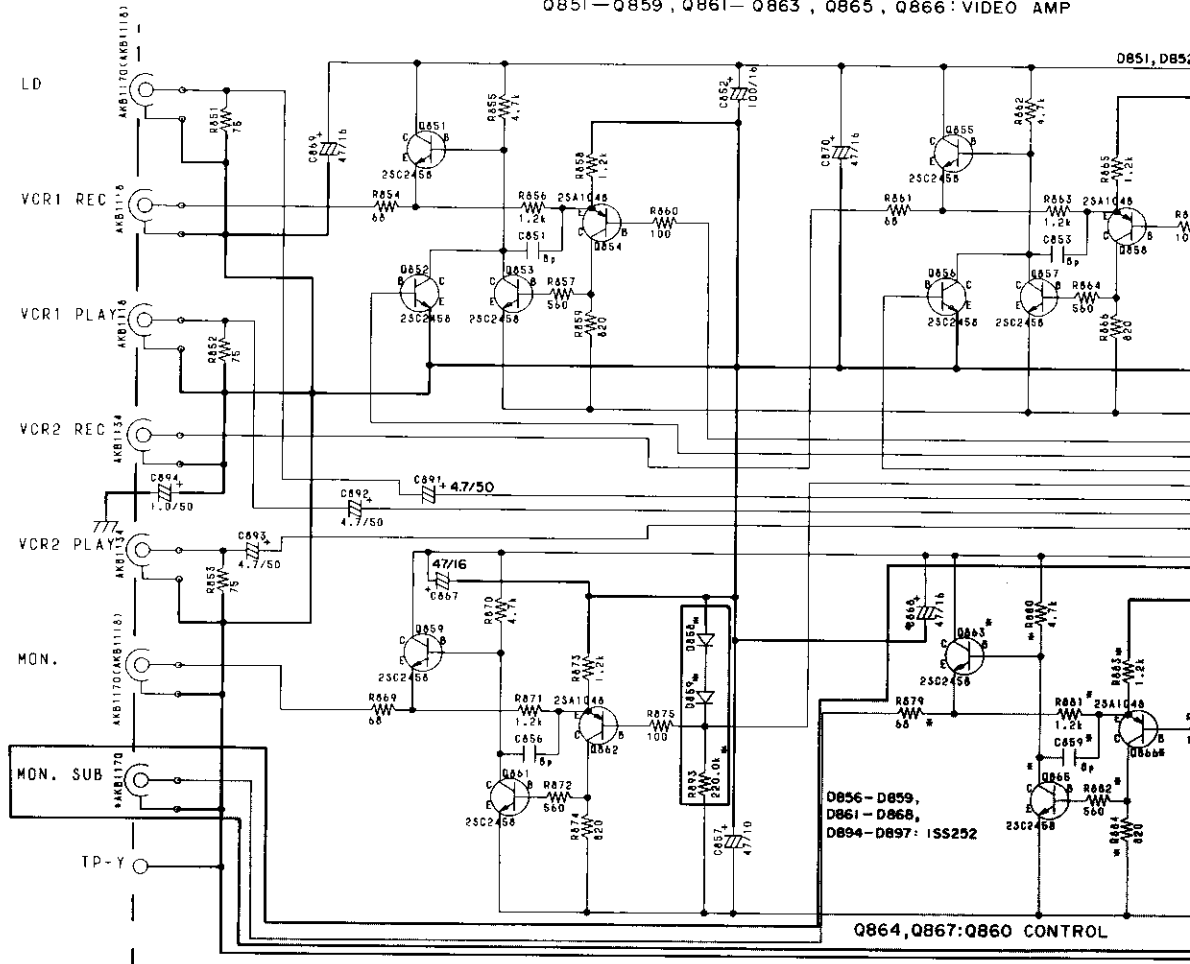
4

5

6

**V/SP assembly (AWZ3608)**  
**V/SP assembly (AWZ3603)**

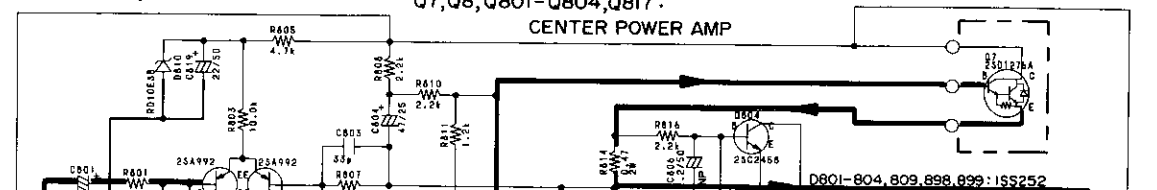
Q851-Q859, Q861-Q863, Q865, Q866: VIDEO AMP

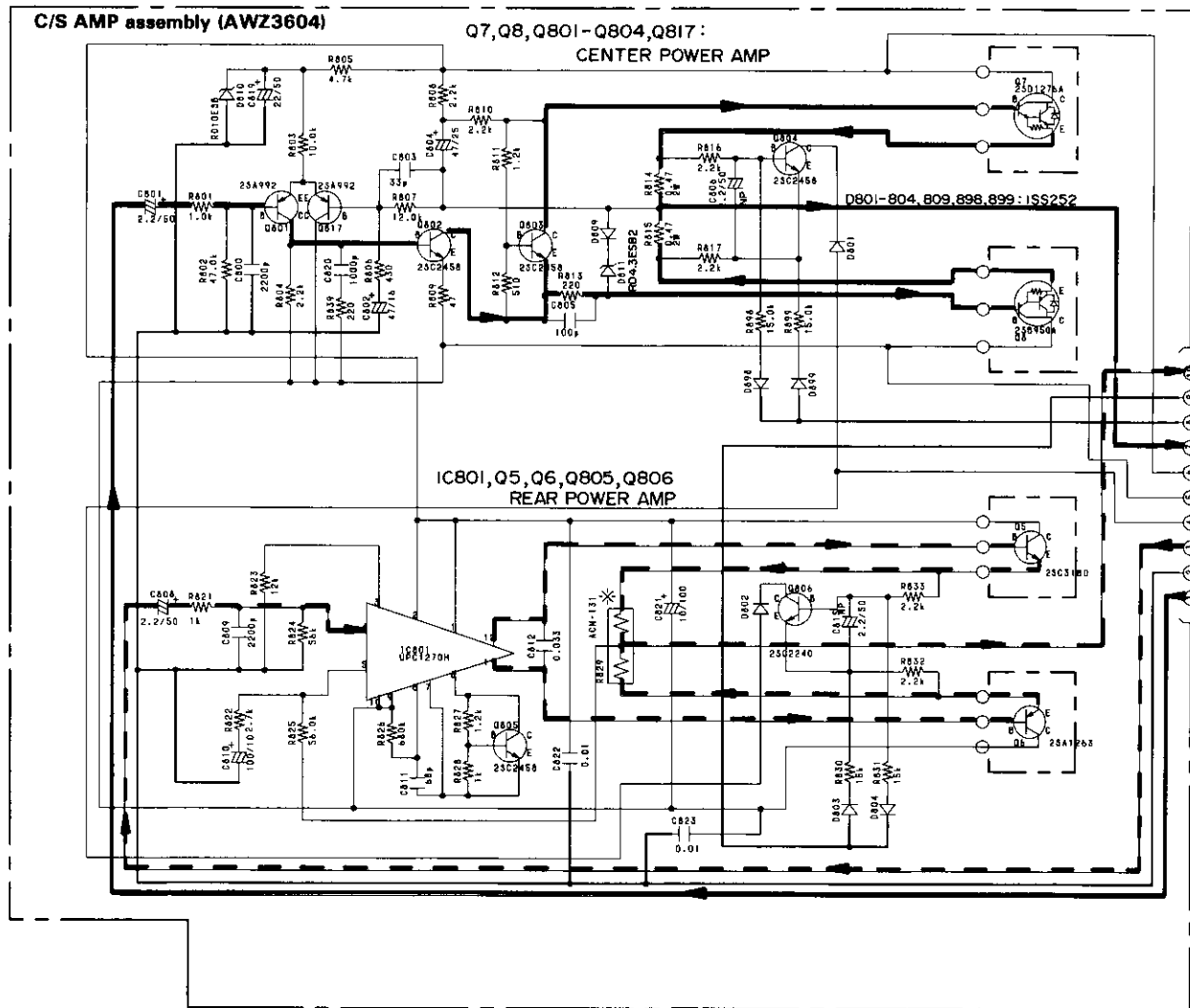
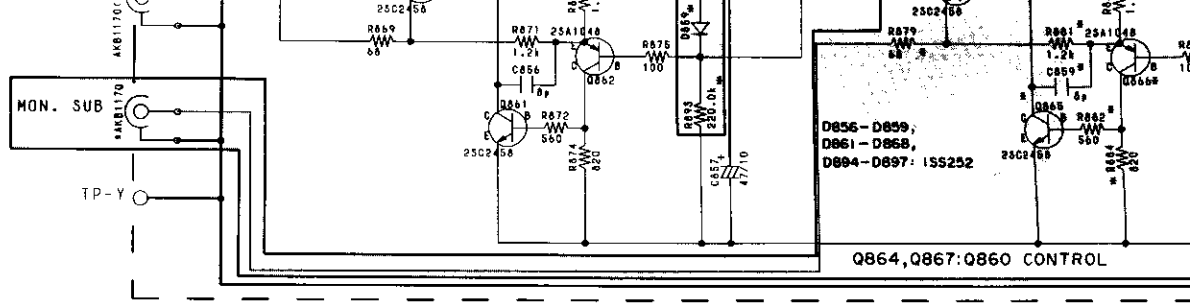


**C/S AMP assembly (AWZ3604)**

Q7, Q8, Q801-Q804, Q817:

**CENTER POWER AMP**





To AF assembly  
(To page 17)  
J11 J21

EO AMP

D851, D852 : ISS252

IC851: SELECTOR

IC852: SELECTOR

Q850: SELECTOR CONTROL

Q807, Q808: RELAY DRIVE

D805-D808: ISS

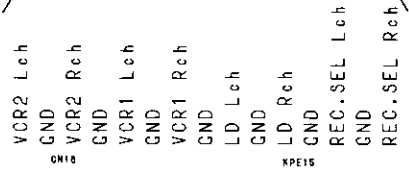
Q860 CONTROL

Q860: SWITCH

IC853: SELECTOR

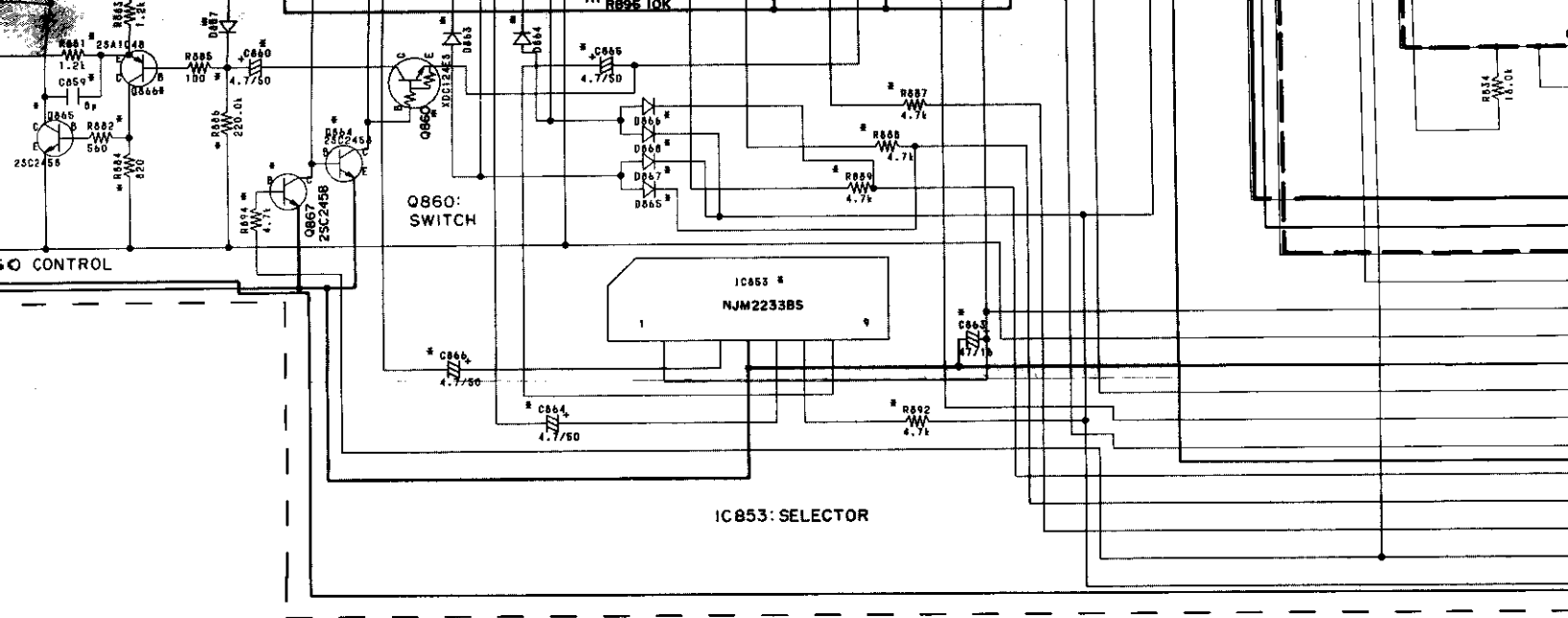
\* : VSX-51, VSX-4950S ONLY  
( ) : VSX-4900S, VSX-4800 ONLY

To AF assembly J18  
(To page 15)

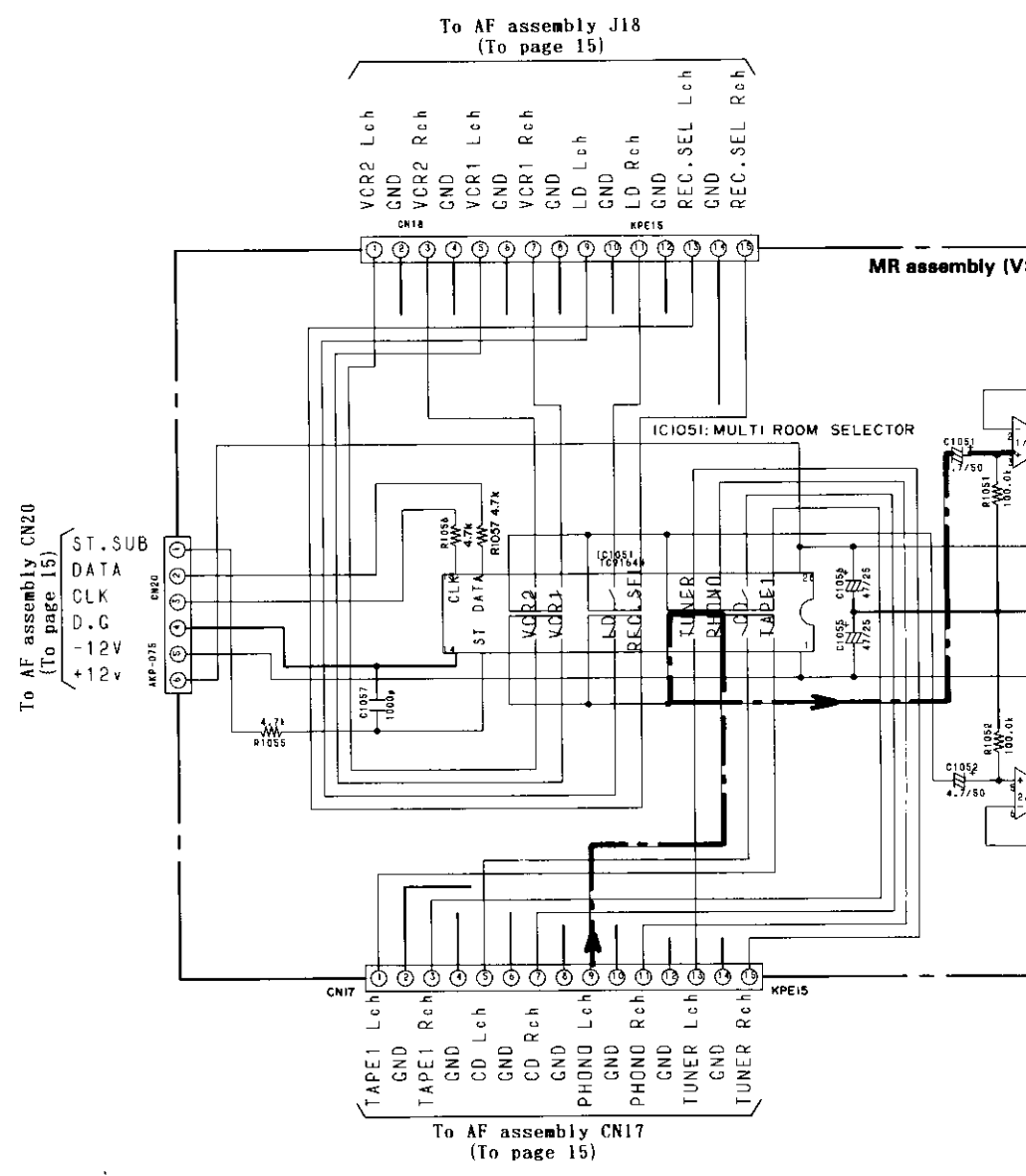
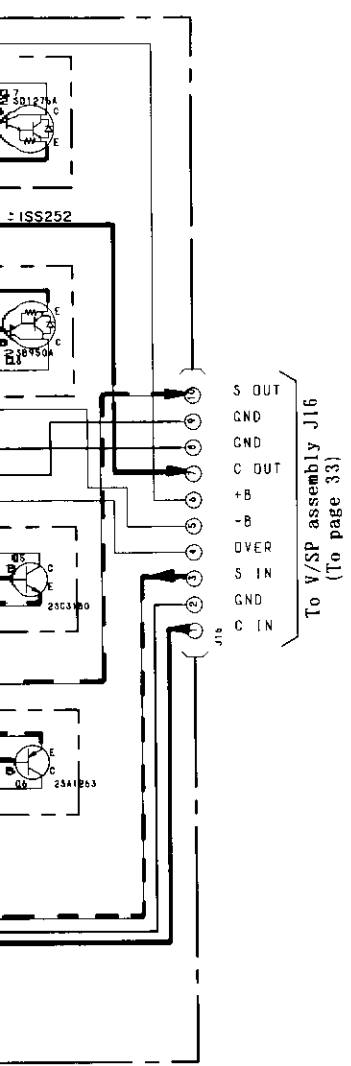


MR assembly (VS

D851: ISS252

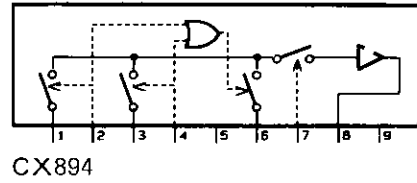
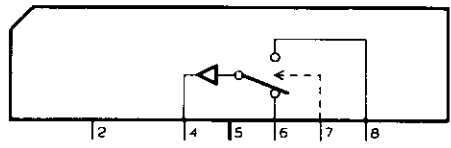
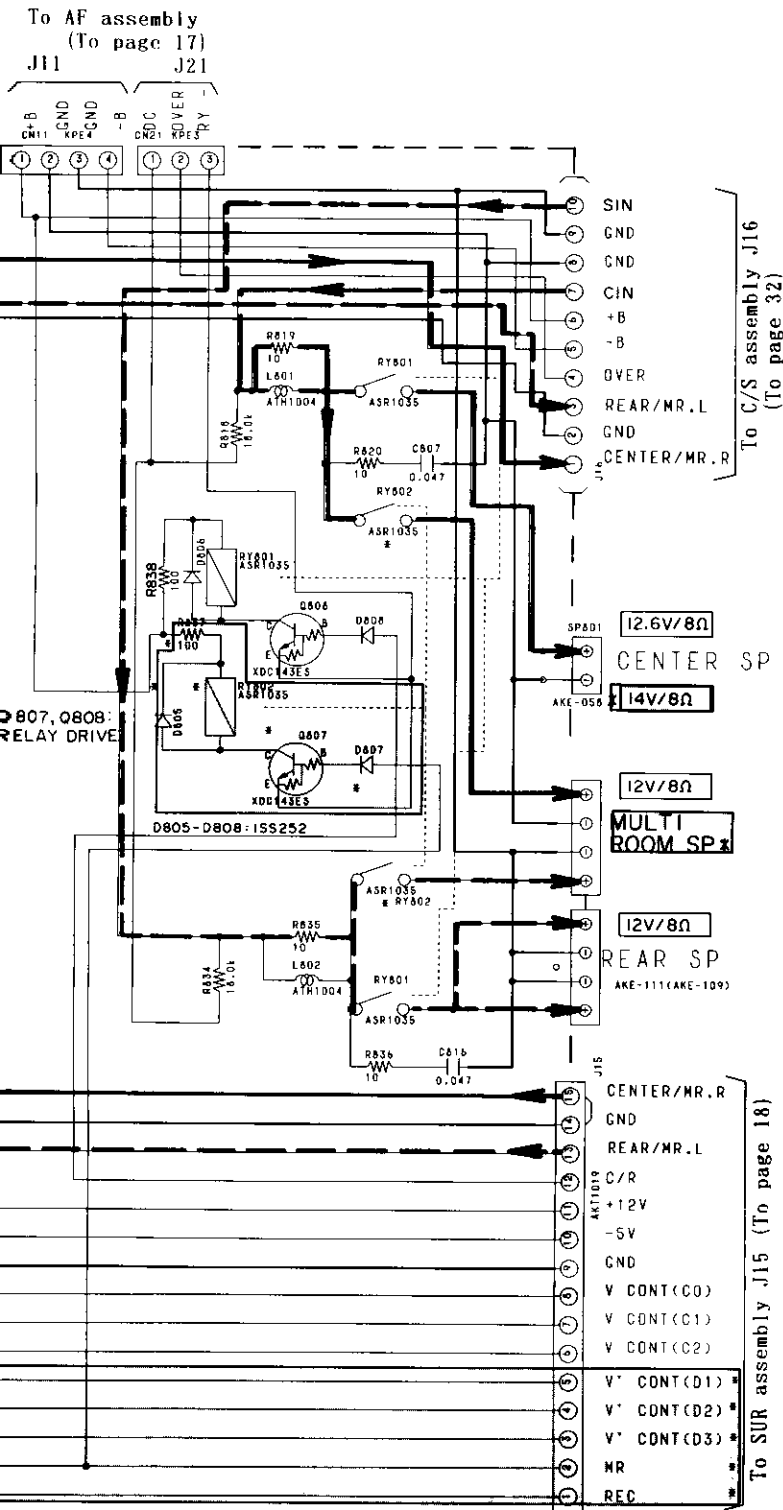


\* : VSX-51, VSX-4950S ONLY  
 ( ) : VSX-4900S, VSX-4800 ONLY



3d



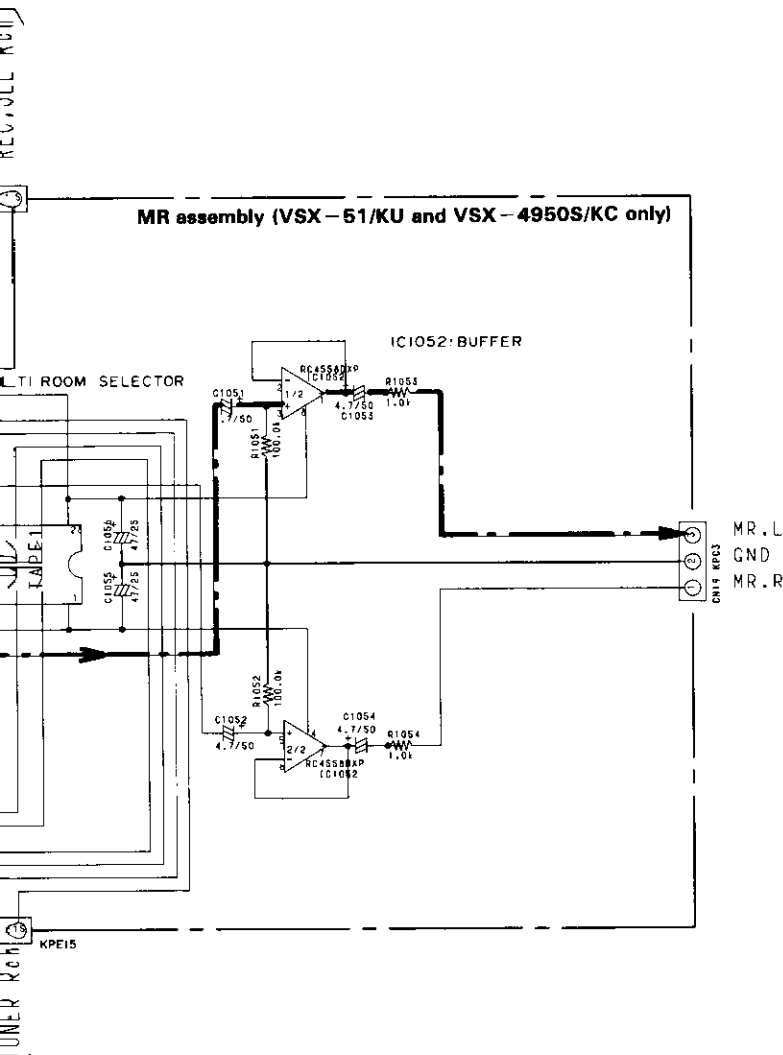
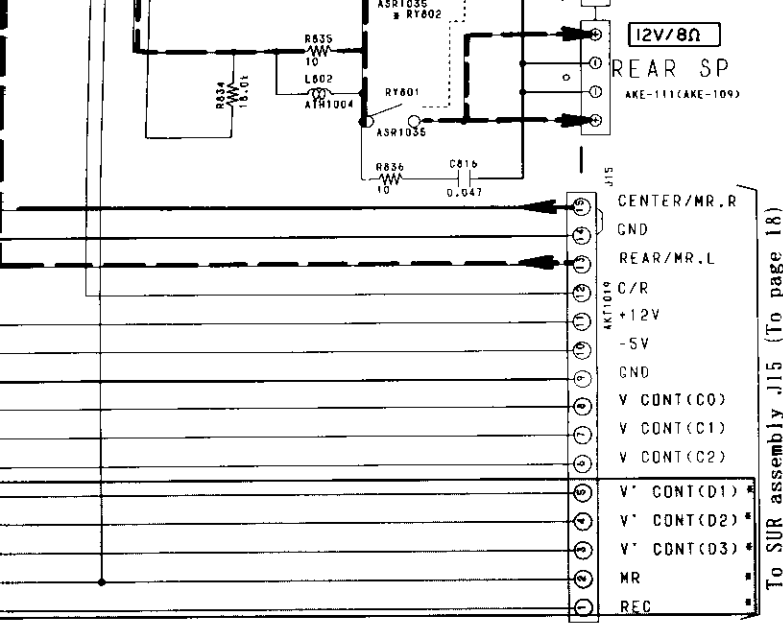


A

B

C

D



C

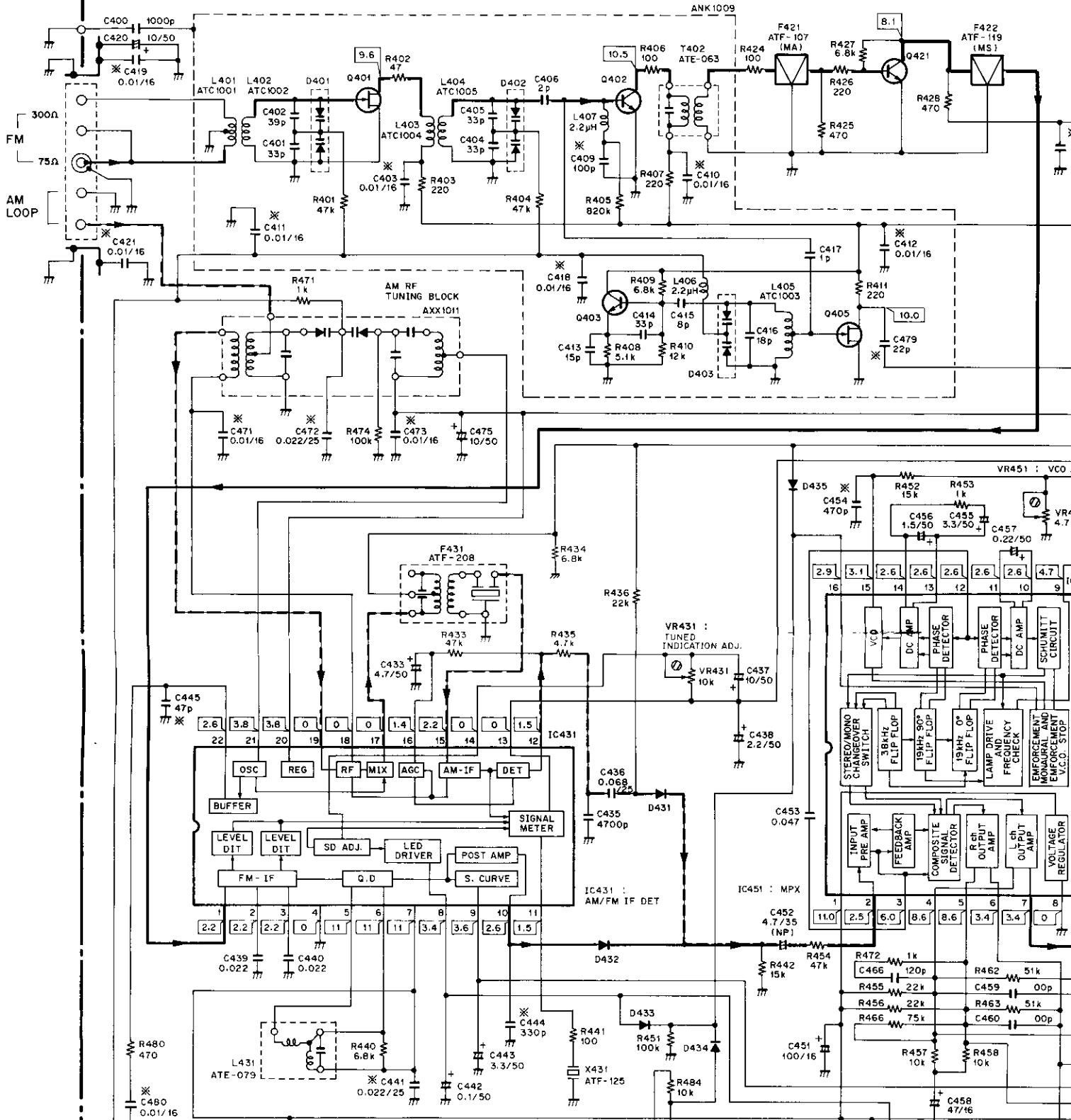
D

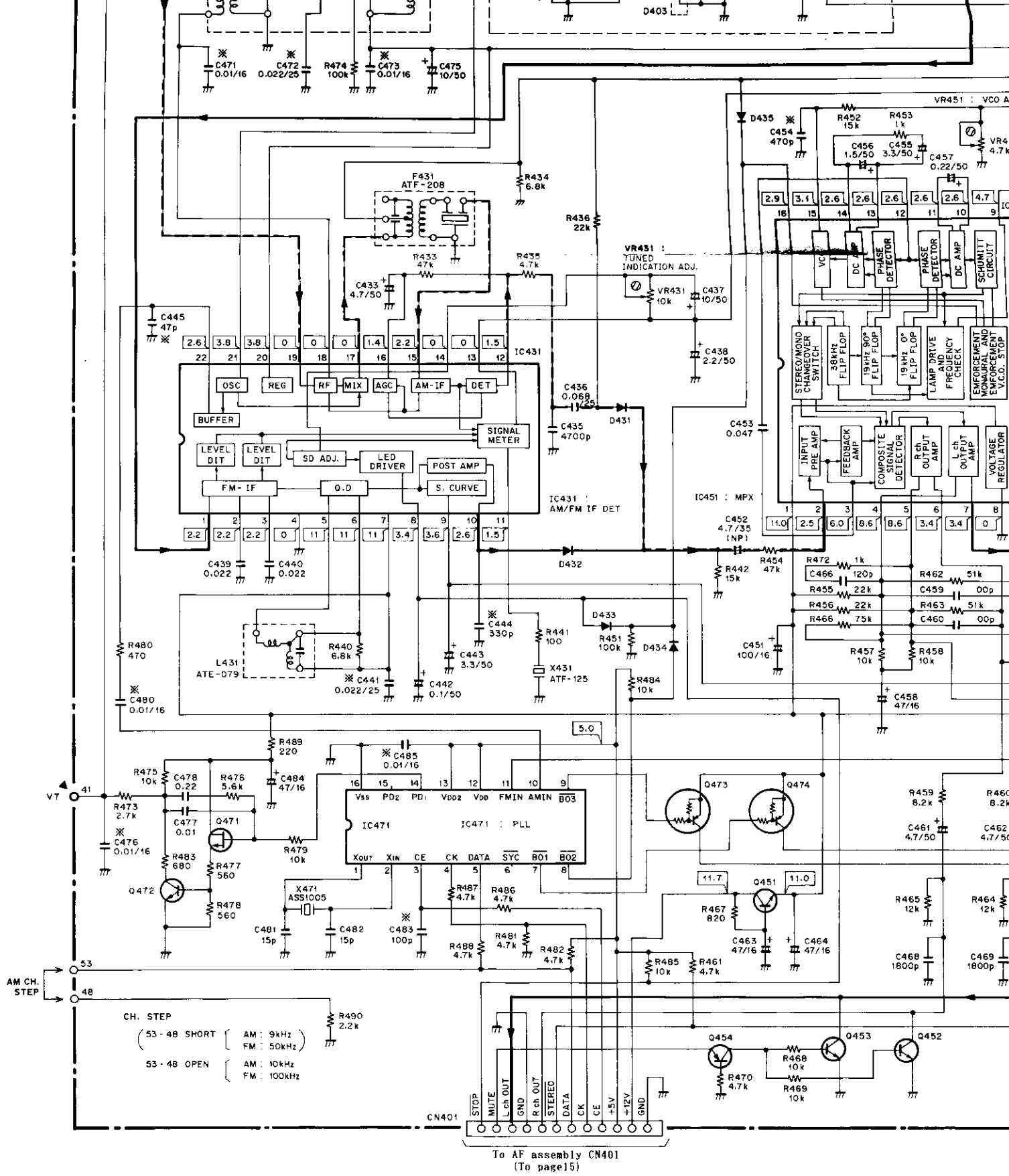
C

D

4.5 TUNER (AWE1140), FL (AWZ3607) and VR assembly (AWZ3599)

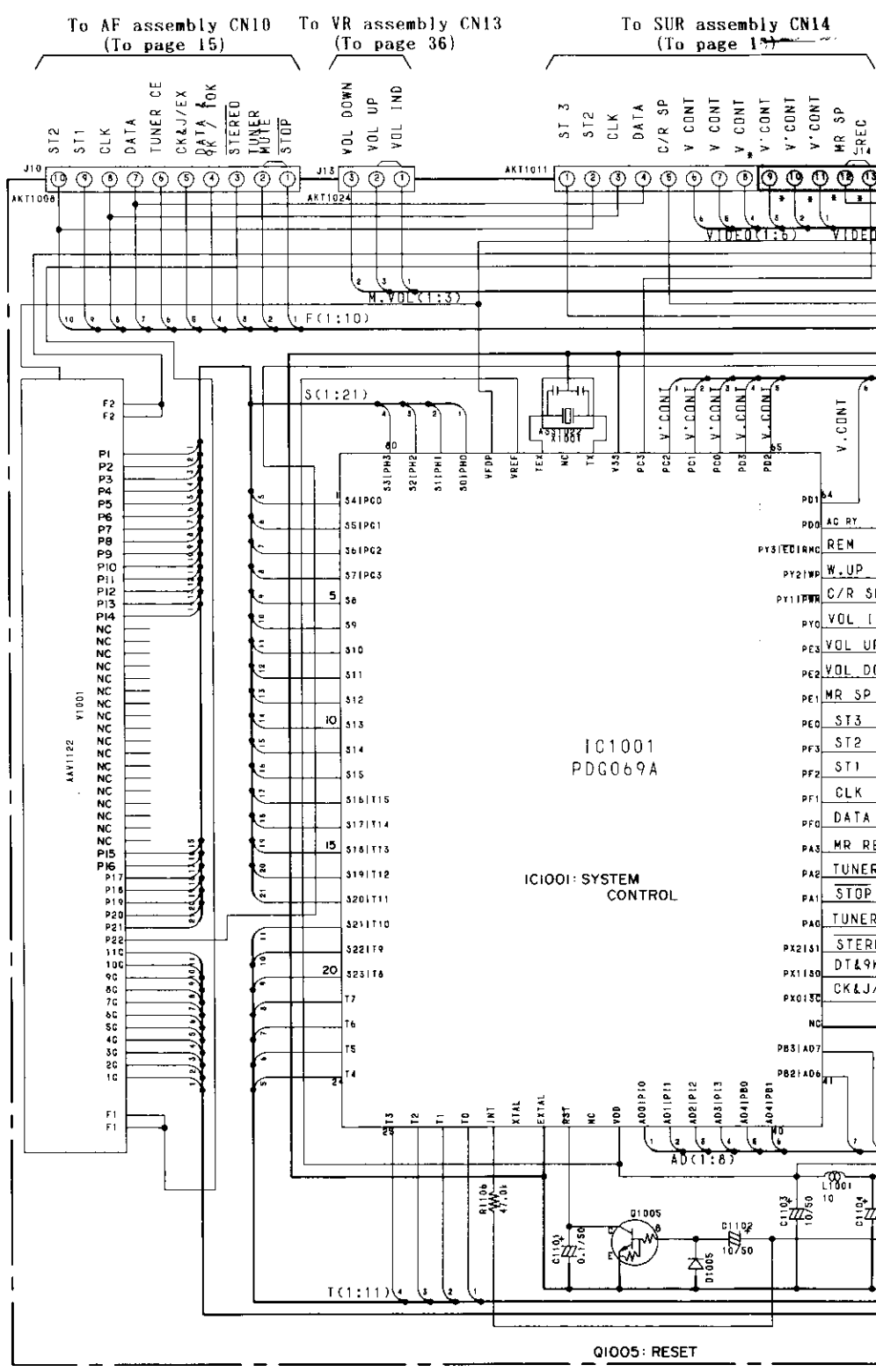
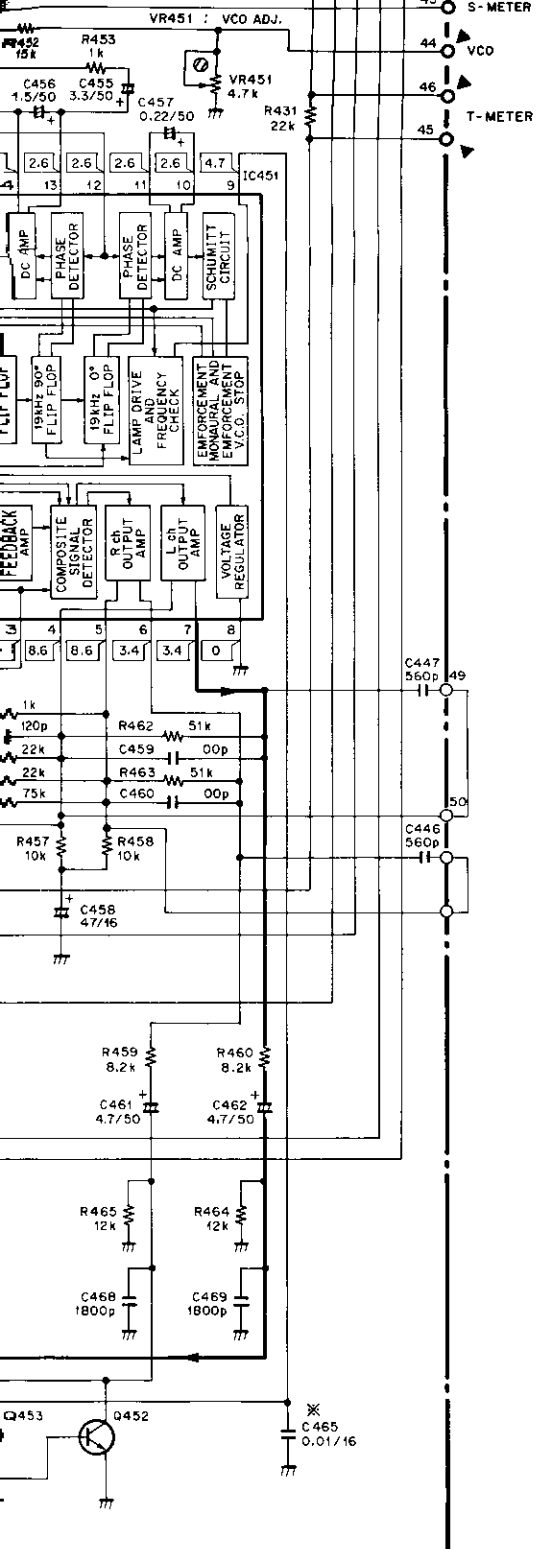
TUNER assembly (AWE1140)





To AF assembly CN401  
(To page 15)











A

B

C

D

IC912  
 IC911 Q917  
 Q902 IC904 Q903

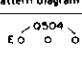
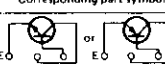
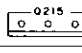
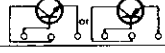
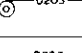

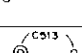
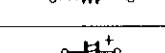
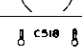
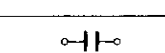
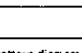
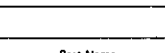
IC909 IC910  
 Q912 Q916 Q911  
 IC903

To AF assembly J9  
 (To page 14)

To FL assembly J14  
 (To page 39)

NOTE

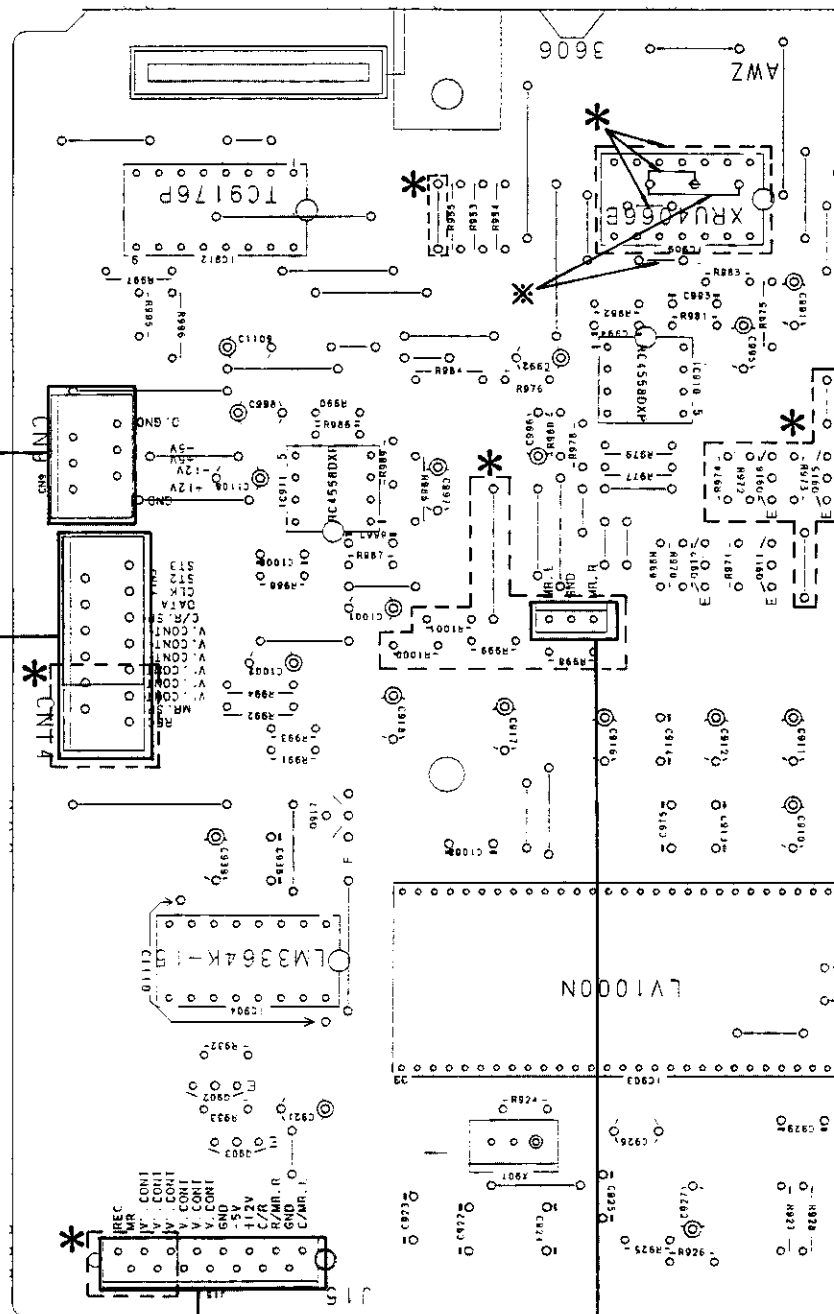
1. This P.C.B connection diagram is viewed from the parts mounted side.
2. The parts which have been mounted on the board can be replaced with those shown with the corresponding wiring symbols listed in the following Table.

P.C.B. pattern diagram indication	Corresponding part symbol	Part Name
		Transistor
		Radiator type transistor
		Diode
		Resistor
		Capacitor (Polarity)
		Capacitor (Non-polarity)

Others

P.C.B. pattern diagram indication	Part Name
IC	IC
S	Switch
RY	Relay
L	Coil
F	Filter
VR	Variable resistor or Semi-fixed resistor

3. The capacitor terminal marked with (⊙) (double circles) shows negative terminal.
4. The diode terminal marked with (⊙) (double circles) shows cathode side.
5. The transistor terminal to which E is affixed shows the emitter.



SUR assembly (AWZ3606)  
 (AWZ3601)

To V/SP assembly J15  
 (To page 28,30)

To MR ass  
 (To pa

A

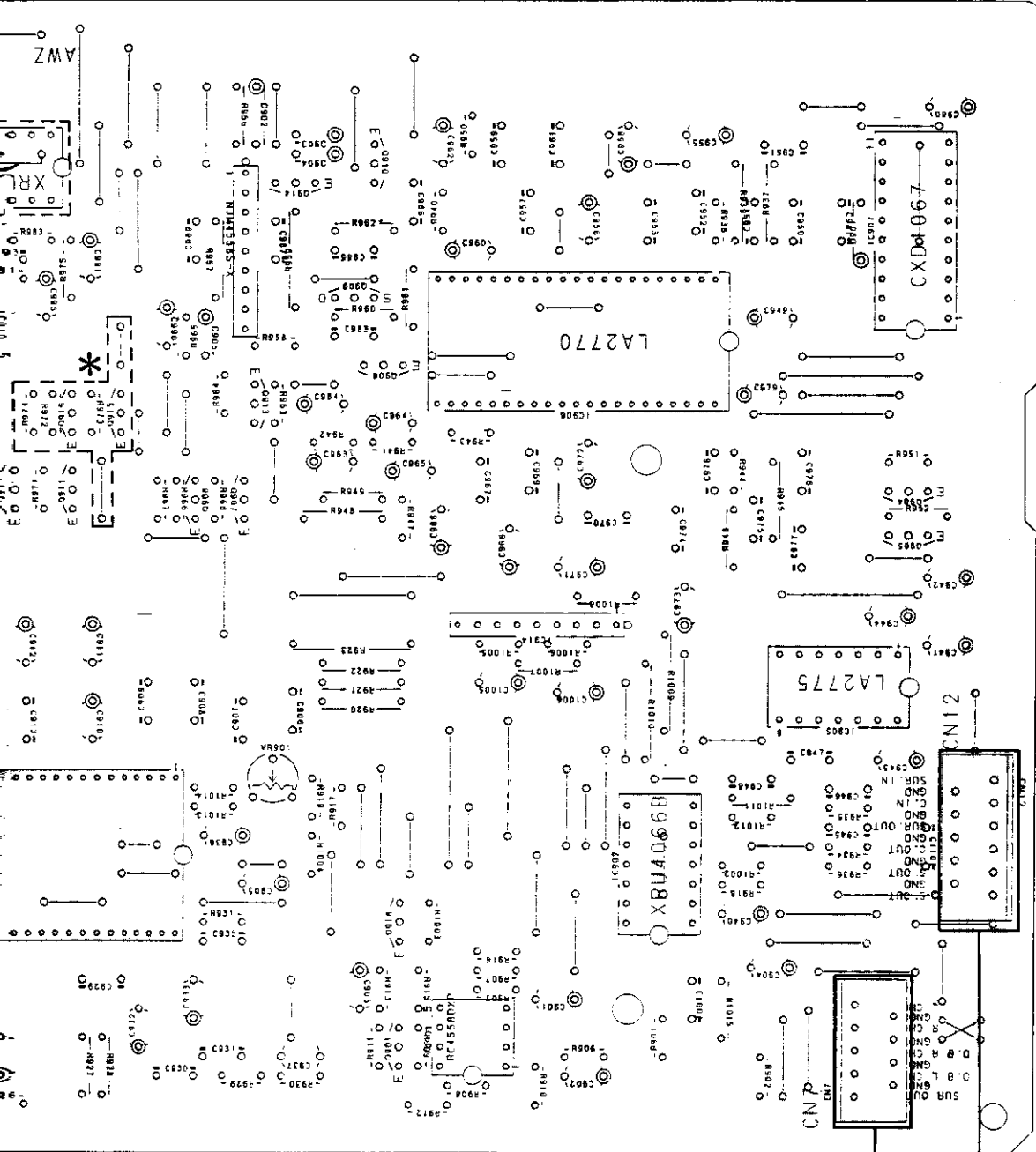
B

C

D

IC910 IC908 Q914 Q909 Q910 Q906 IC907  
 Q916 Q911 Q915 Q908 Q907 Q913 IC914 IC906 IC905 Q904 Q905  
 Q918 Q901 IC901 IC902

VR901



To AF assembly J7  
 (To page 13)

To MR assembly CN19  
 (To page 28)

To VR assembly J12  
 (To page 39)

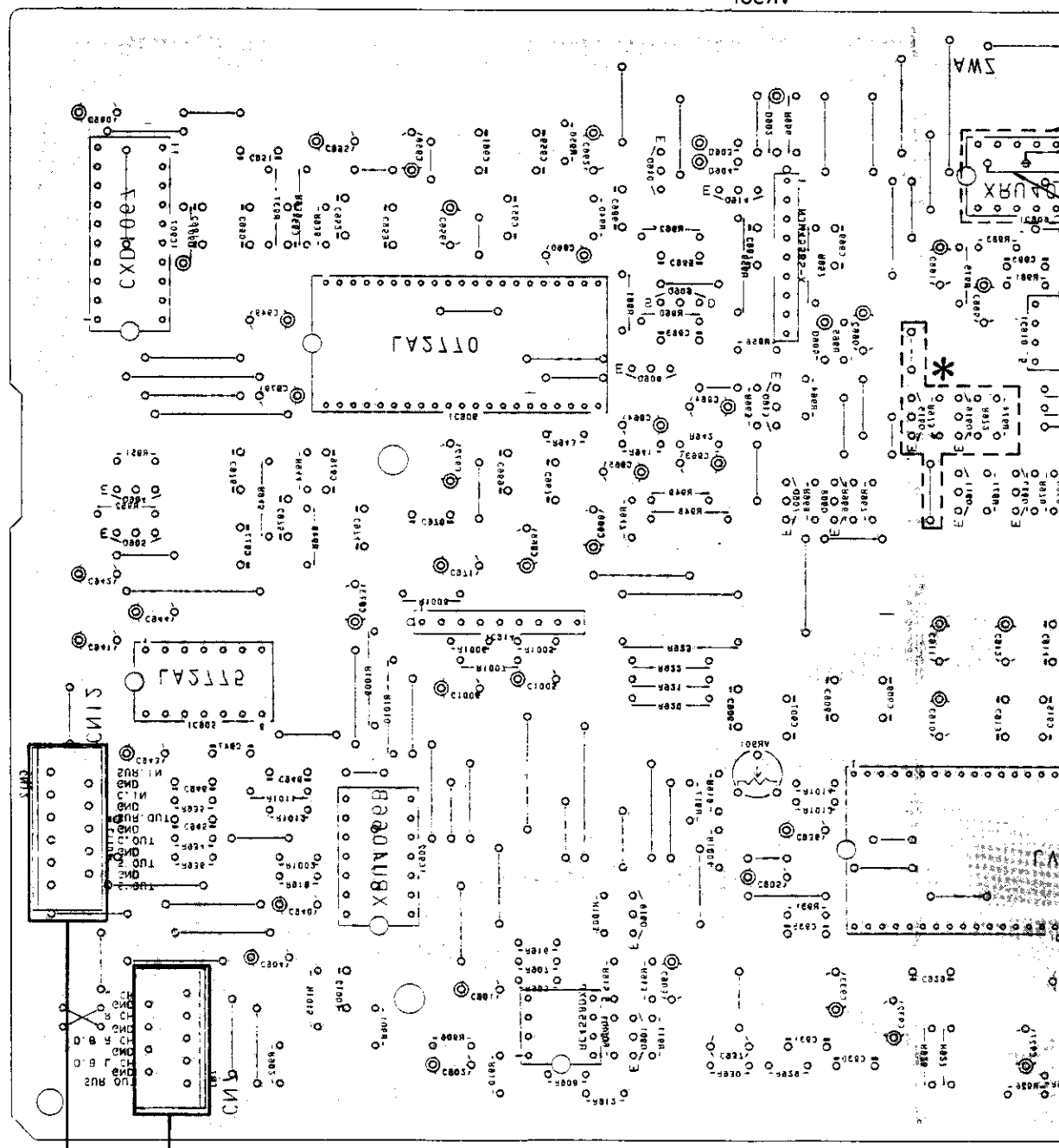
A

B

C

D

003 DATE DALL DATE 0008 0007 0013  
 004 DATE 0008 0007 0013  
 005 DATE 0008 0007 0013  
 006 DATE 0008 0007 0013  
 007 DATE 0008 0007 0013  
 008 DATE 0008 0007 0013  
 009 DATE 0008 0007 0013  
 010 DATE 0008 0007 0013  
 011 DATE 0008 0007 0013  
 012 DATE 0008 0007 0013  
 013 DATE 0008 0007 0013  
 014 DATE 0008 0007 0013  
 015 DATE 0008 0007 0013  
 016 DATE 0008 0007 0013  
 017 DATE 0008 0007 0013  
 018 DATE 0008 0007 0013  
 019 DATE 0008 0007 0013  
 020 DATE 0008 0007 0013  
 021 DATE 0008 0007 0013  
 022 DATE 0008 0007 0013  
 023 DATE 0008 0007 0013  
 024 DATE 0008 0007 0013  
 025 DATE 0008 0007 0013  
 026 DATE 0008 0007 0013  
 027 DATE 0008 0007 0013  
 028 DATE 0008 0007 0013  
 029 DATE 0008 0007 0013  
 030 DATE 0008 0007 0013  
 031 DATE 0008 0007 0013  
 032 DATE 0008 0007 0013  
 033 DATE 0008 0007 0013  
 034 DATE 0008 0007 0013  
 035 DATE 0008 0007 0013  
 036 DATE 0008 0007 0013  
 037 DATE 0008 0007 0013  
 038 DATE 0008 0007 0013  
 039 DATE 0008 0007 0013  
 040 DATE 0008 0007 0013  
 041 DATE 0008 0007 0013  
 042 DATE 0008 0007 0013  
 043 DATE 0008 0007 0013  
 044 DATE 0008 0007 0013  
 045 DATE 0008 0007 0013  
 046 DATE 0008 0007 0013  
 047 DATE 0008 0007 0013  
 048 DATE 0008 0007 0013  
 049 DATE 0008 0007 0013  
 050 DATE 0008 0007 0013  
 051 DATE 0008 0007 0013  
 052 DATE 0008 0007 0013  
 053 DATE 0008 0007 0013  
 054 DATE 0008 0007 0013  
 055 DATE 0008 0007 0013  
 056 DATE 0008 0007 0013  
 057 DATE 0008 0007 0013  
 058 DATE 0008 0007 0013  
 059 DATE 0008 0007 0013  
 060 DATE 0008 0007 0013  
 061 DATE 0008 0007 0013  
 062 DATE 0008 0007 0013  
 063 DATE 0008 0007 0013  
 064 DATE 0008 0007 0013  
 065 DATE 0008 0007 0013  
 066 DATE 0008 0007 0013  
 067 DATE 0008 0007 0013  
 068 DATE 0008 0007 0013  
 069 DATE 0008 0007 0013  
 070 DATE 0008 0007 0013  
 071 DATE 0008 0007 0013  
 072 DATE 0008 0007 0013  
 073 DATE 0008 0007 0013  
 074 DATE 0008 0007 0013  
 075 DATE 0008 0007 0013  
 076 DATE 0008 0007 0013  
 077 DATE 0008 0007 0013  
 078 DATE 0008 0007 0013  
 079 DATE 0008 0007 0013  
 080 DATE 0008 0007 0013  
 081 DATE 0008 0007 0013  
 082 DATE 0008 0007 0013  
 083 DATE 0008 0007 0013  
 084 DATE 0008 0007 0013  
 085 DATE 0008 0007 0013  
 086 DATE 0008 0007 0013  
 087 DATE 0008 0007 0013  
 088 DATE 0008 0007 0013  
 089 DATE 0008 0007 0013  
 090 DATE 0008 0007 0013  
 091 DATE 0008 0007 0013  
 092 DATE 0008 0007 0013  
 093 DATE 0008 0007 0013  
 094 DATE 0008 0007 0013  
 095 DATE 0008 0007 0013  
 096 DATE 0008 0007 0013  
 097 DATE 0008 0007 0013  
 098 DATE 0008 0007 0013  
 099 DATE 0008 0007 0013  
 100 DATE 0008 0007 0013

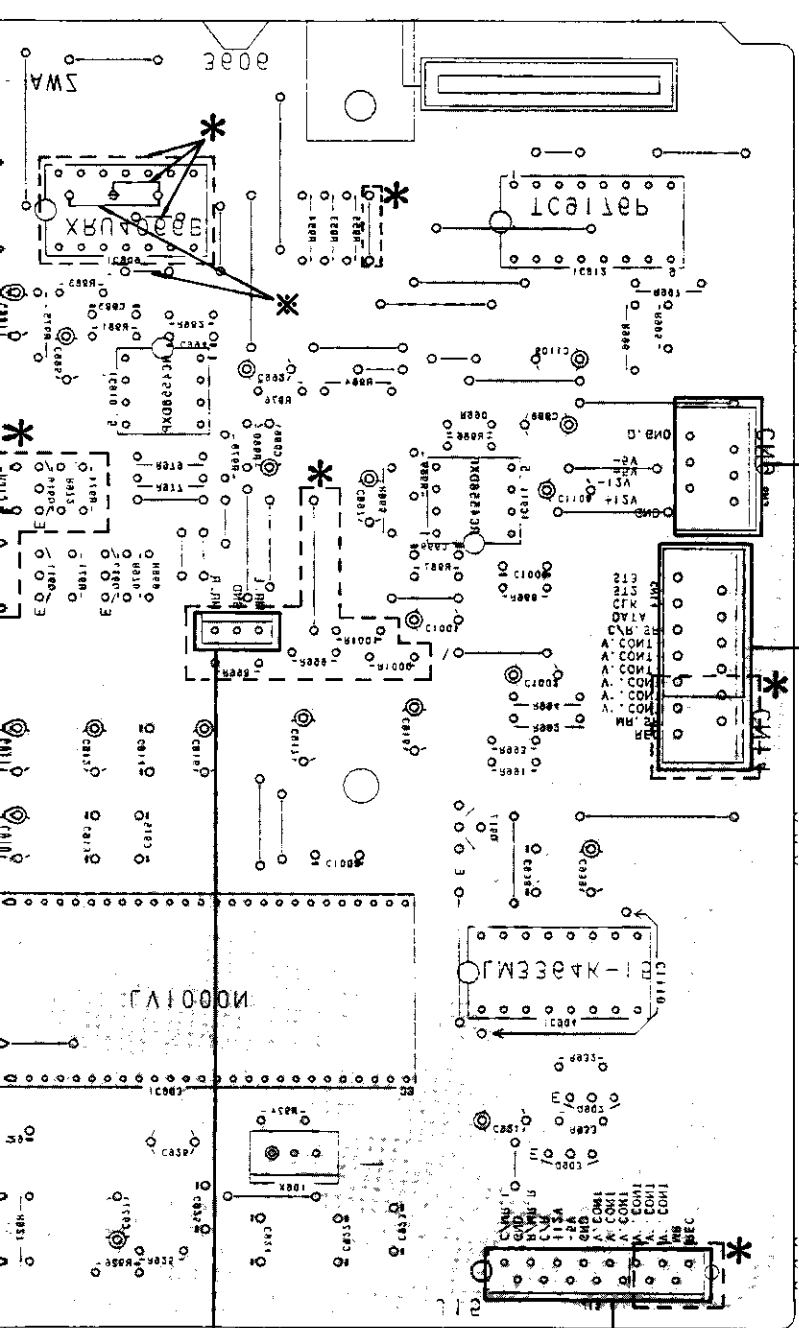


— To MR assembly CMI9  
 (To page 28)

To AF assembly 17  
 (To page 13)

To VR assembly 115  
 (To page 30)

ICAO3  
ICAO4 0A03  
ICAO5  
ICAO6  
ICAO7  
ICAO8  
ICAO9  
ICAO10



**SUR assembly (WZ360)  
(WZ3601)**

To VSP assembly 115  
(To page 28,30)

To MR 2  
(To

To FE assembly 115  
(To page 14)

To FL assembly 114  
(To page 38)

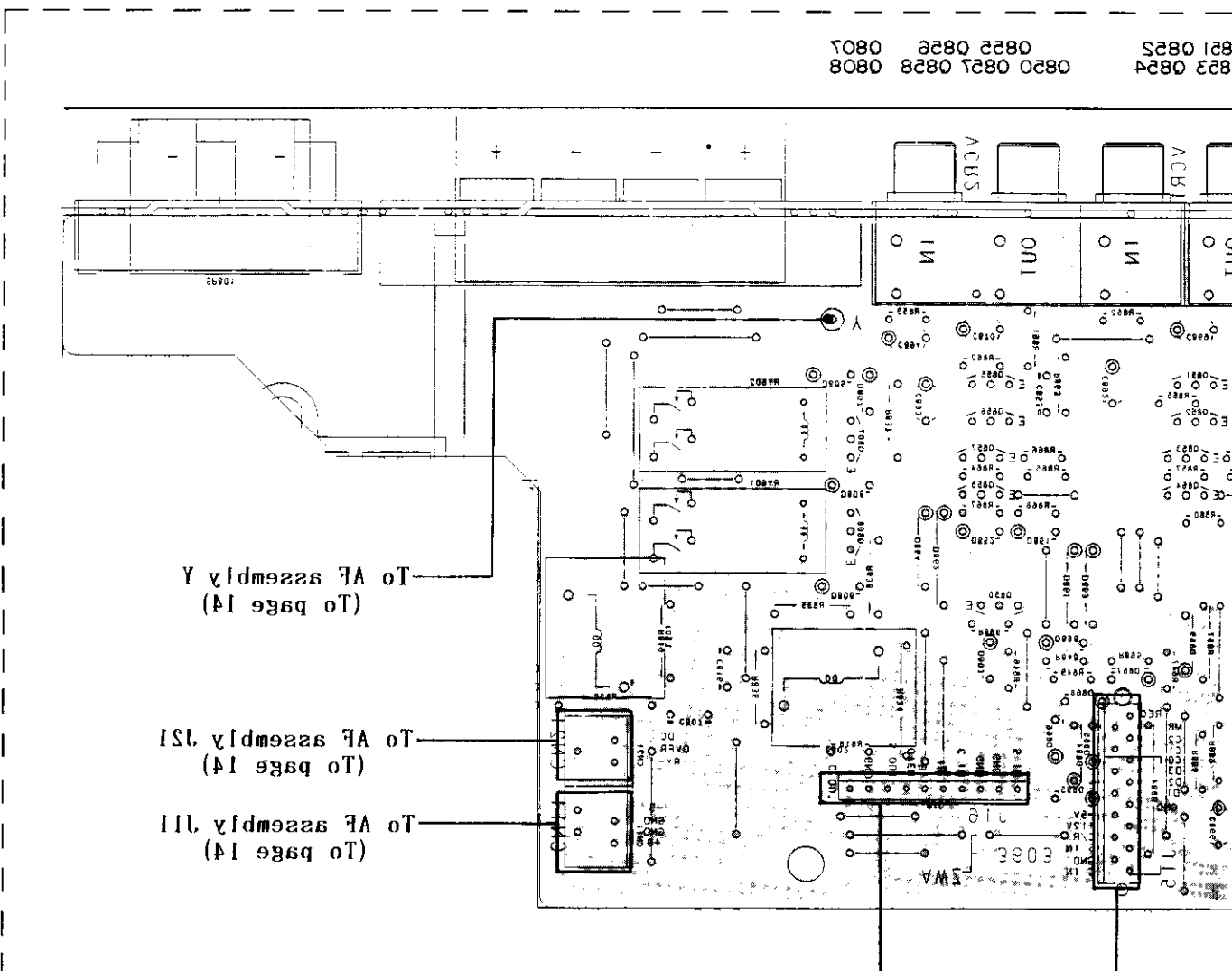
A

B

C

D

823 0824  
0820 0821 0828 0808  
0822 0825 0807

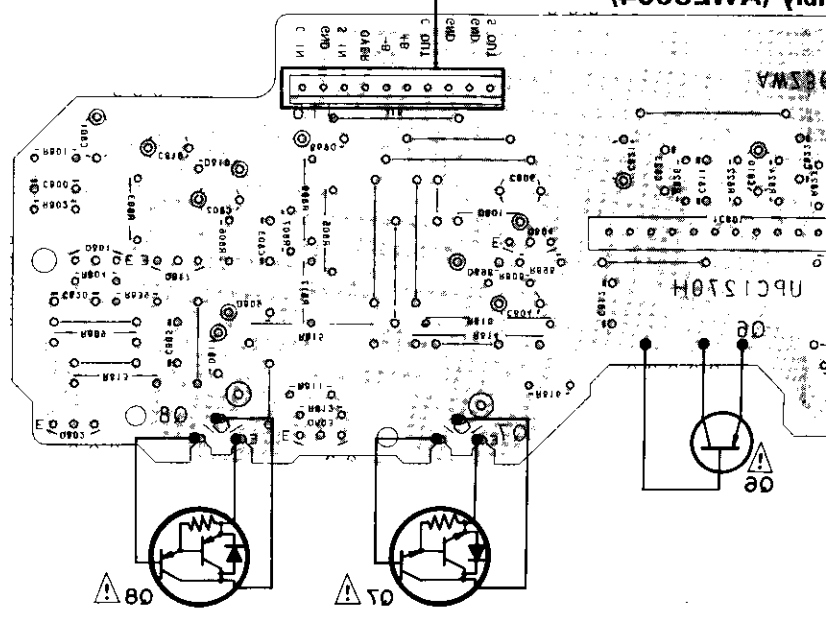


To AF assembly Y  
(To page 14)

To AF assembly 121  
(To page 14)

To AF assembly 111  
(To page 14)

ply (W3304)



25

A

B

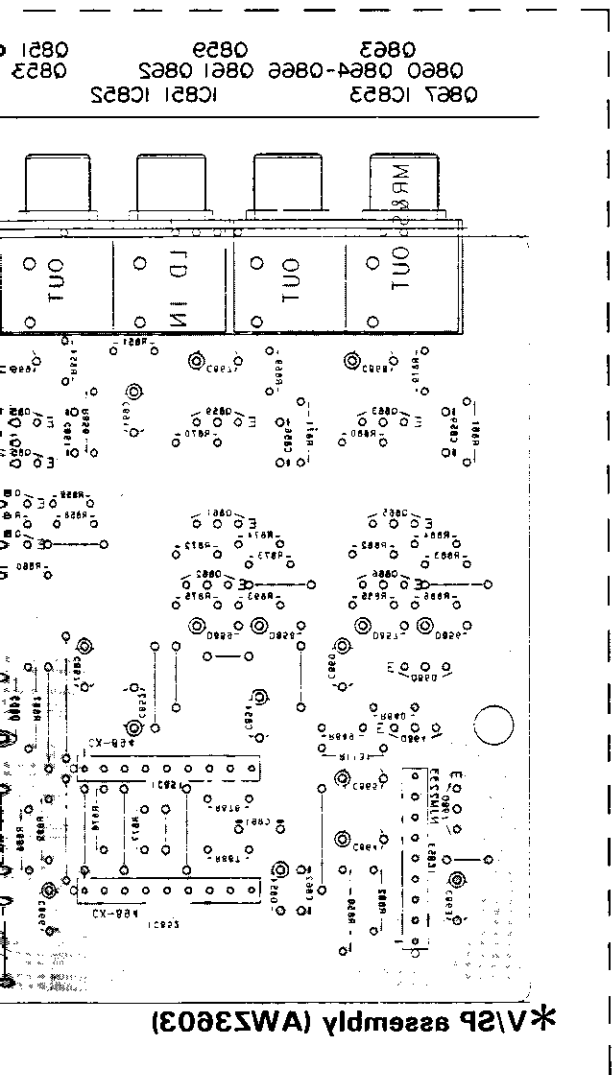
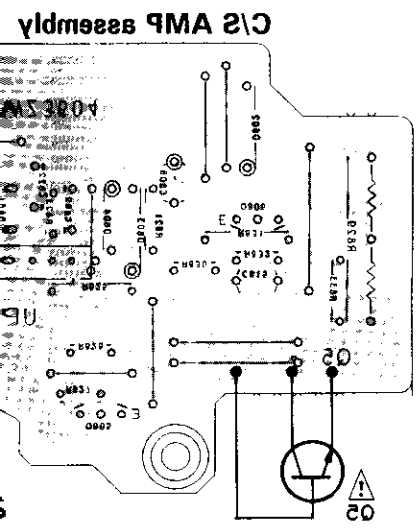
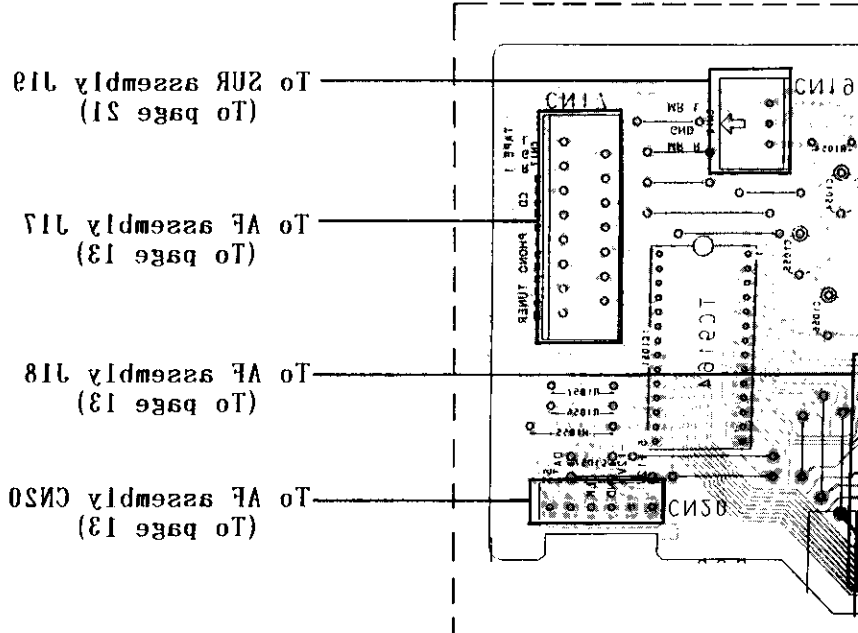
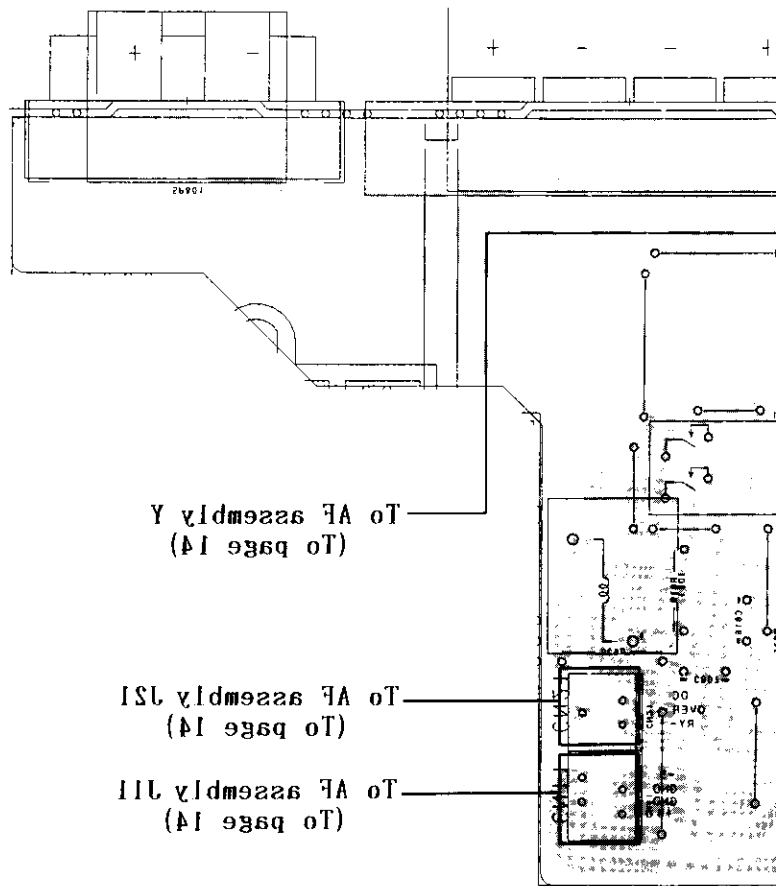
C

D

e

8

7

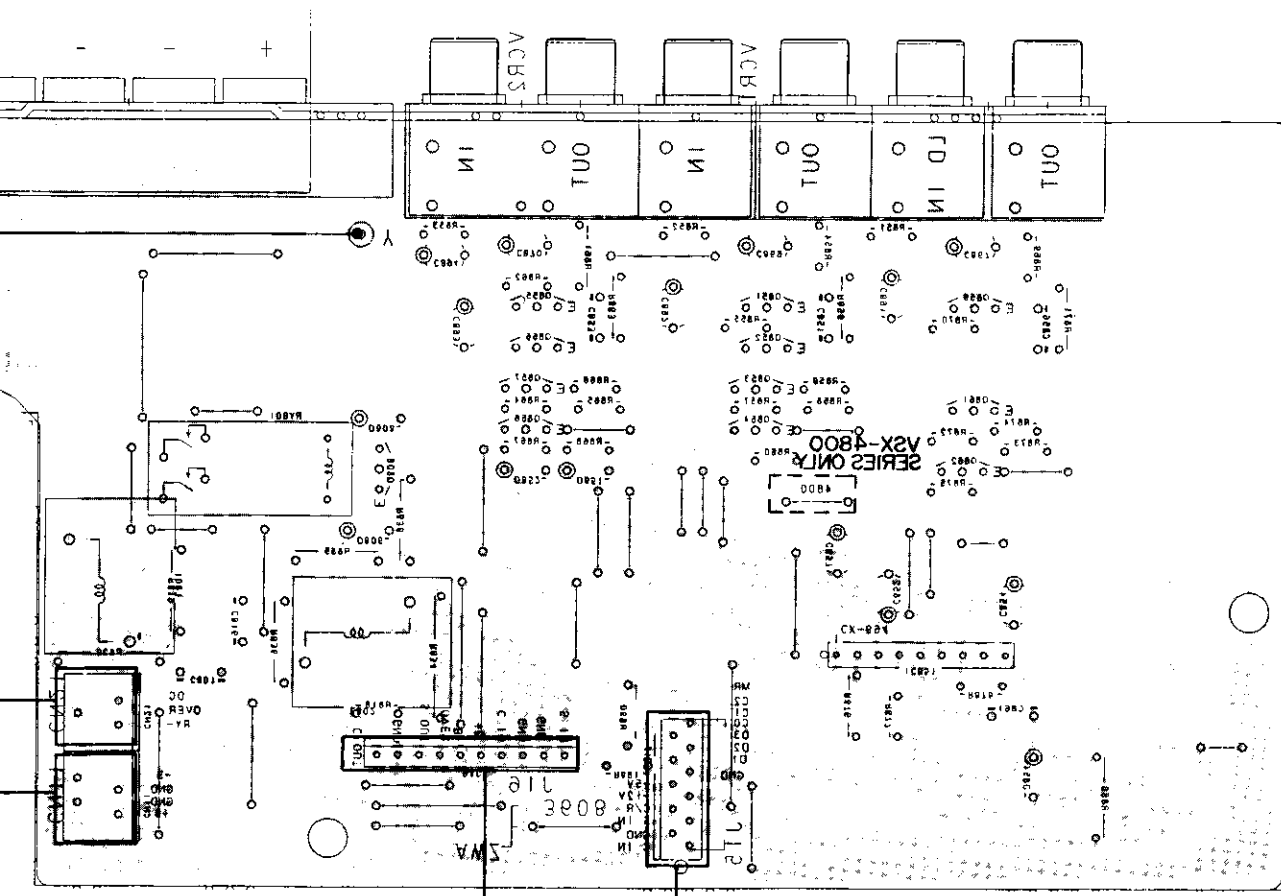


A

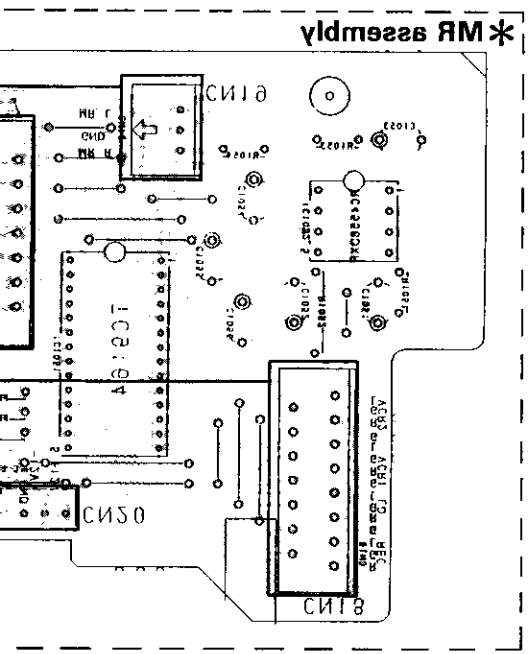
B

C

D



V/SP assembly (WZ3608)  
 To SUR assembly 112 (To page 21)



3

2

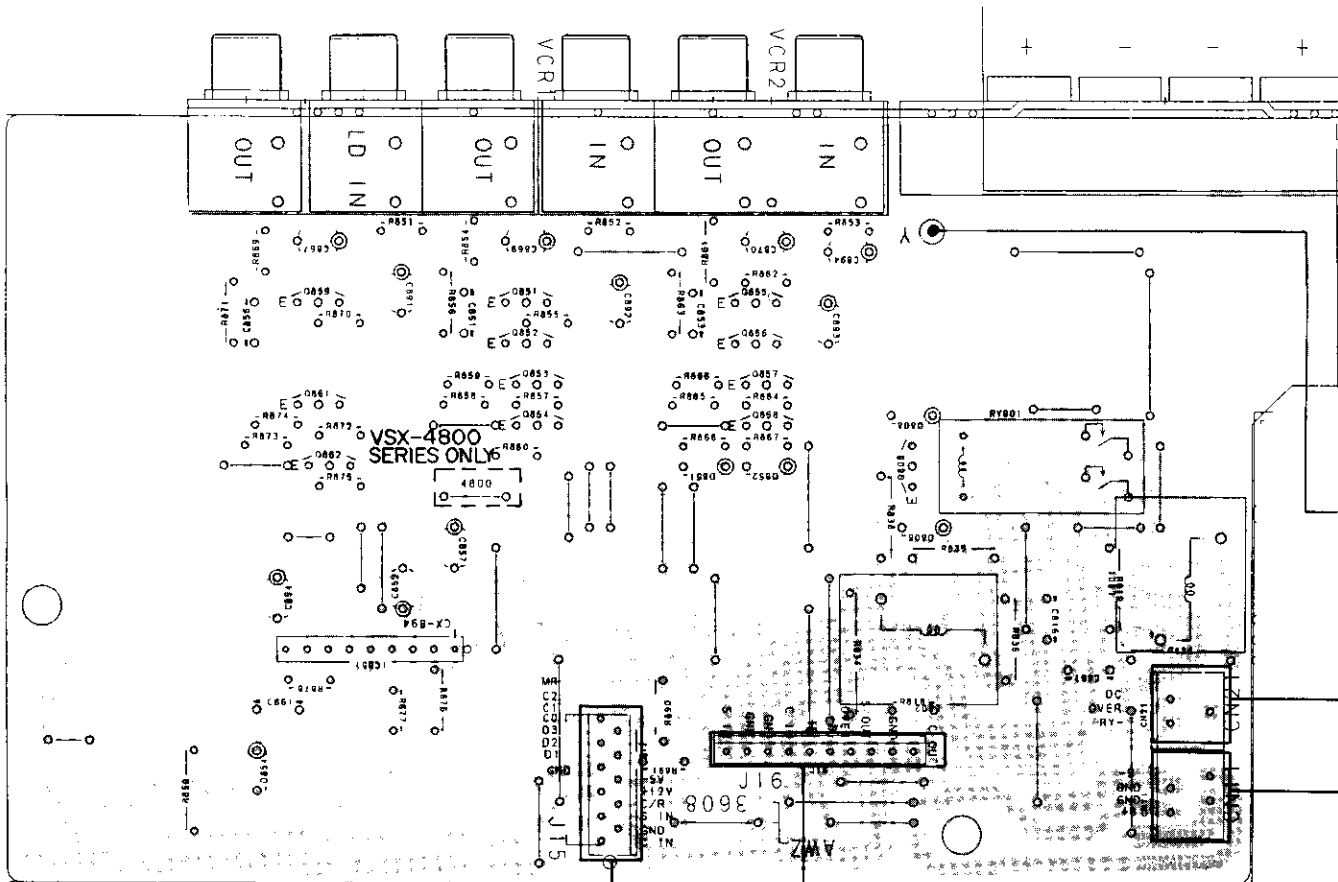
3

2

1

4.4 V/SP (AWZ3608 and AWZ3603), C/S AMP (AWZ3604) and MR assembly

A



V/SP assembly (AWZ3608)

To SUR assembly J15 (To page 21)

B

C

NOTE

1. This P.C.B. connection diagram is viewed from the parts mounted side.
2. The parts which have been mounted on the board can be replaced with those shown with the corresponding wiring symbols listed in the following Table.

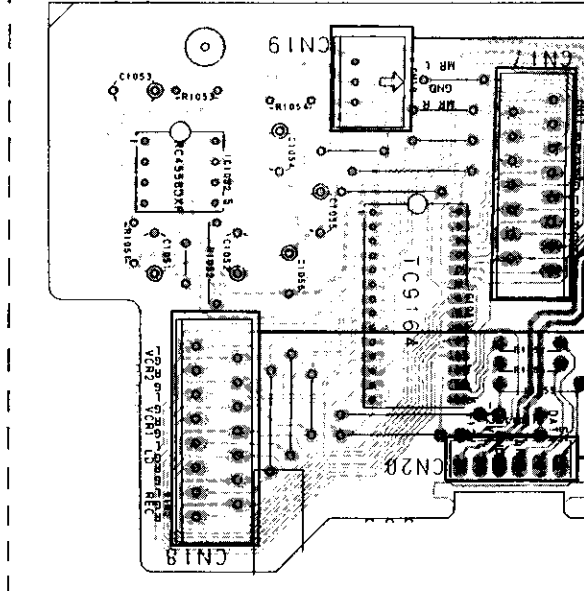
P.C.B. pattern diagram indication	Corresponding part symbol	Part Name
		Transistor
		Radiator type transistor
		Diode
		Resistor
		Capacitor (Polarity)
		Capacitor (Non-polarity)

Others

P.C.B. pattern diagram indication	Part Name
IC	IC
S	Switch
RY	Relay
L	Coil
F	Filter
VR	Variable resistor or Semi-fixed resistor

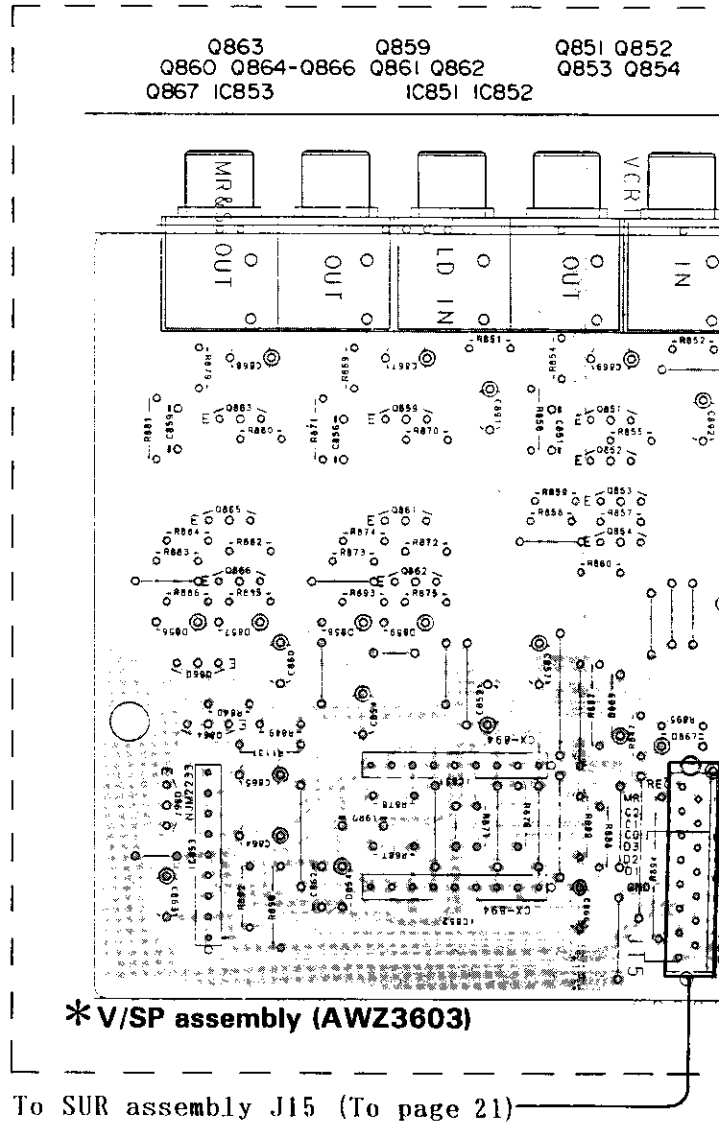
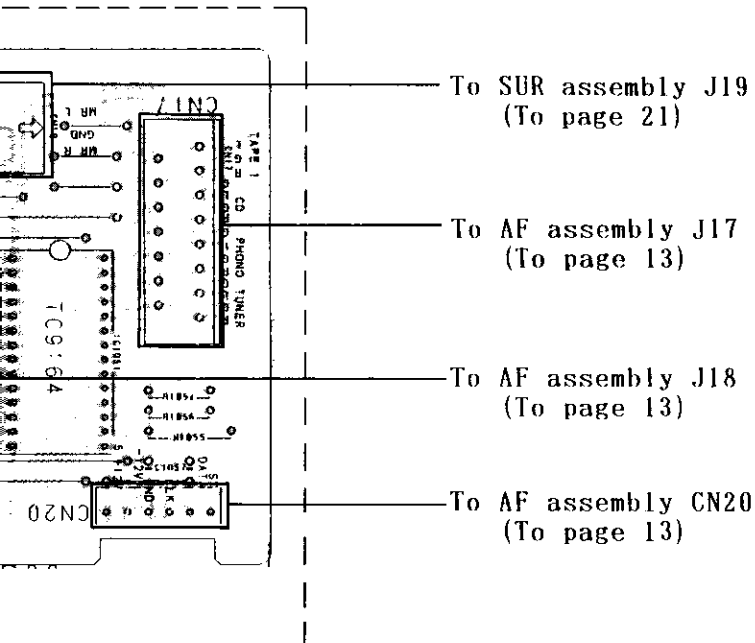
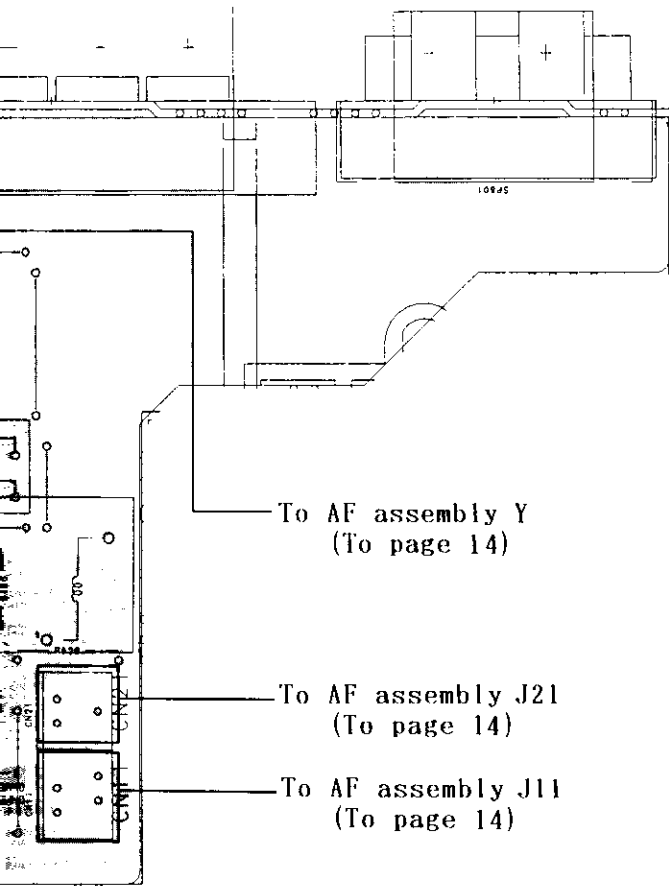
3. The capacitor terminal marked with ⊕ (double circles) shows negative terminal.
4. The diode terminal marked with ⊕ (double circles) shows cathode side.
5. The transistor terminal to which E is affixed shows the emitter.

\* MR assembly



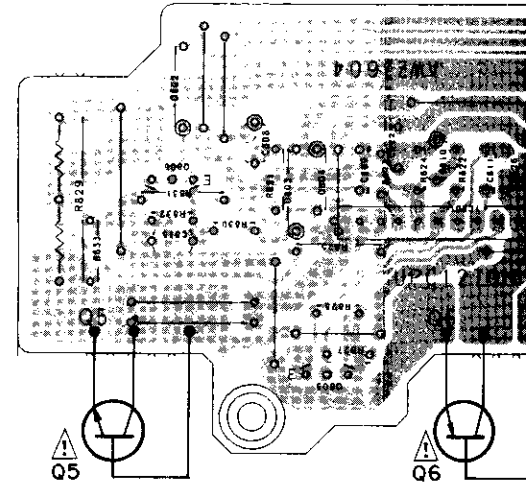
D



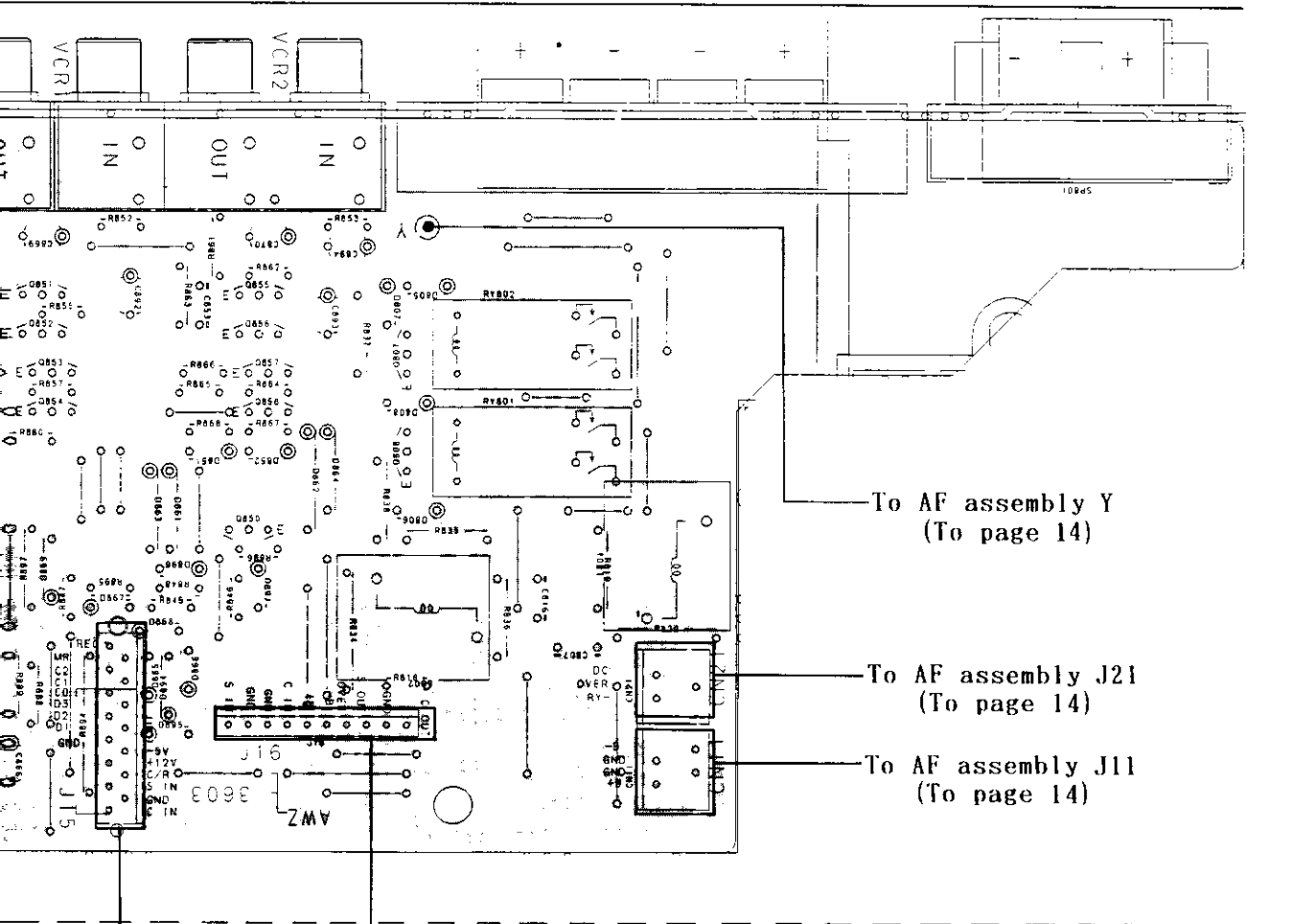


To SUR assembly J15 (To page 21)

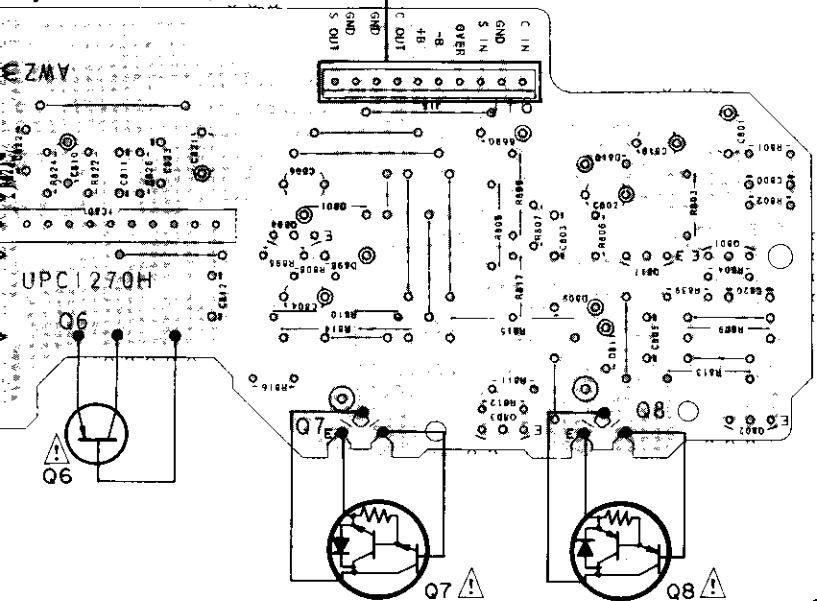
C/S AMP assembly (AWZ3604)



Q851 Q852 Q855 Q856 Q807  
 Q853 Q854 Q850 Q857 Q858 Q808



Assembly (AWZ3604)



A

B

C

D

NOTE

1. This P.C.B. connection diagram is viewed from the parts mounted side.
2. The parts which have been mounted on the board can be replaced with those shown with the corresponding wiring symbols listed in the following Table.

P.C.B. pattern diagram indication	Corresponding part symbol	Part Name
		Transistor
		Radiator type transistor
		Diode
		Resistor
		Capacitor (Polarity)
		Capacitor (Non-polarity)

Others

P.C.B. pattern diagram indication	Part Name
	IC
	Switch
	Relay
	Coil
	Filter
	Variable resistor or Semi-fixed resistor

3. The capacitor terminal marked with ⊕ (double circles) shows negative terminal.
4. The diode terminal marked with ⊕ (double circles) shows cathode side.
5. The transistor terminal to which E is affixed shows the emitter.

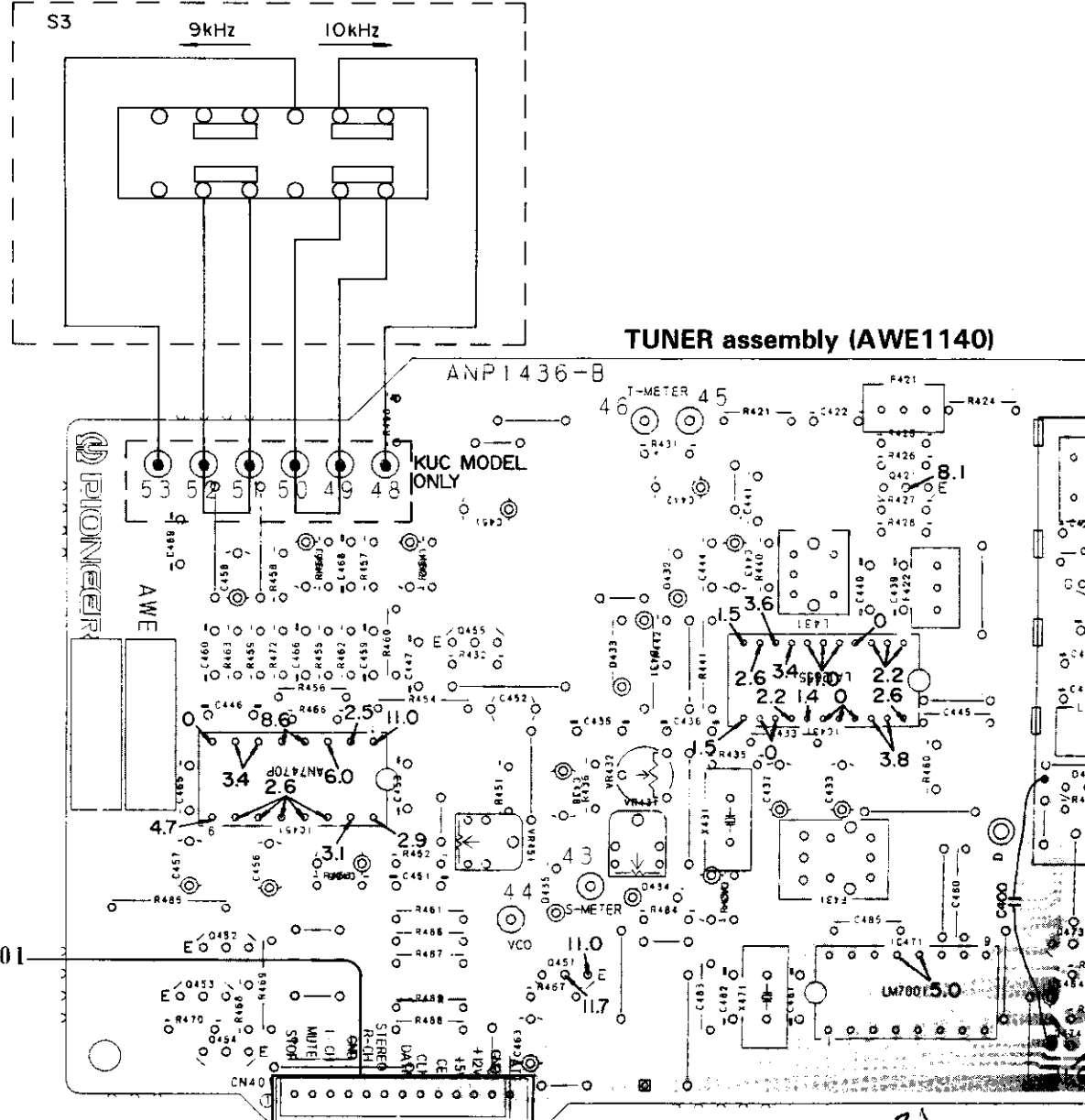
A

B

C

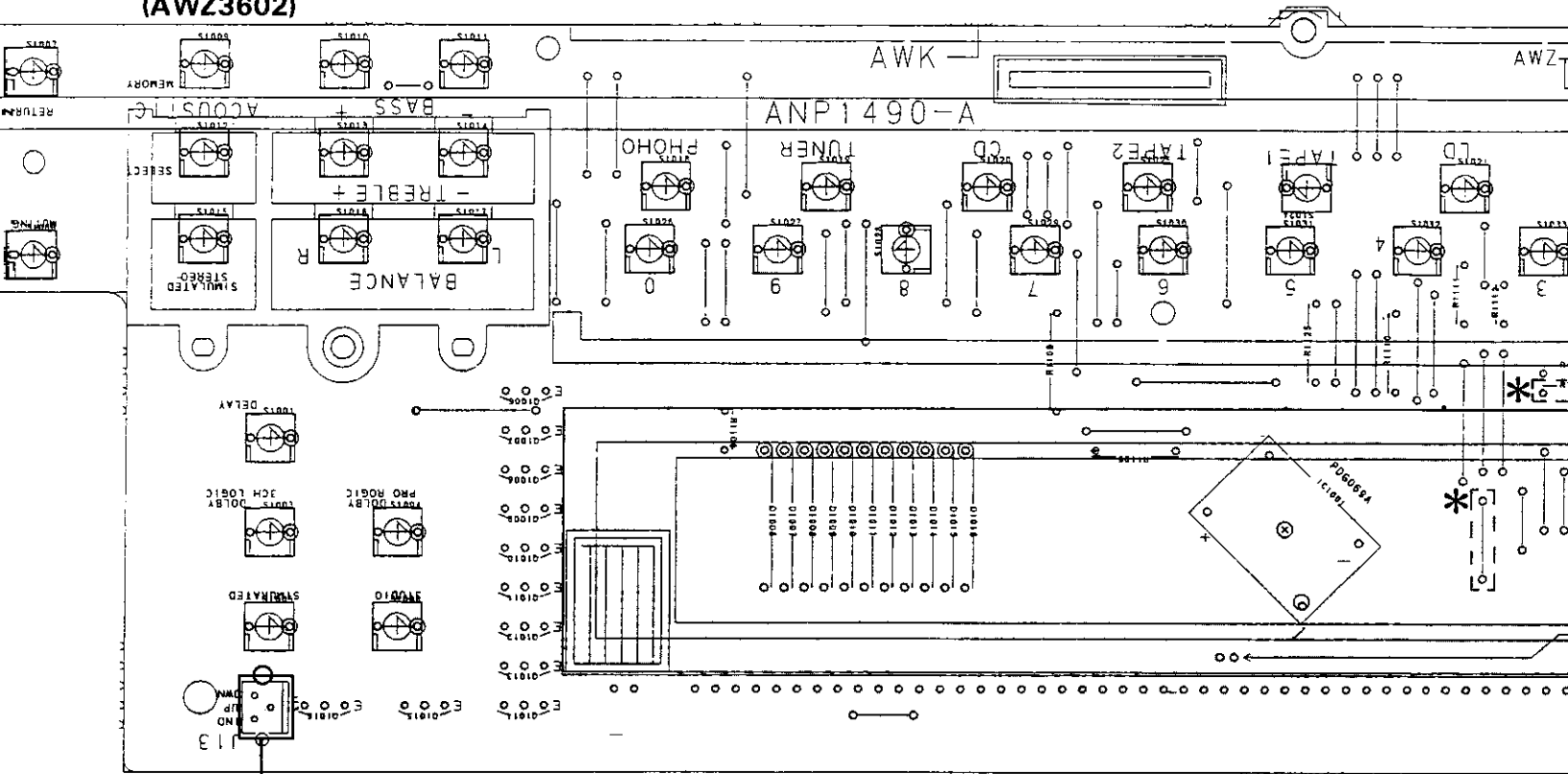
D

VSX-4800/SD ONLY

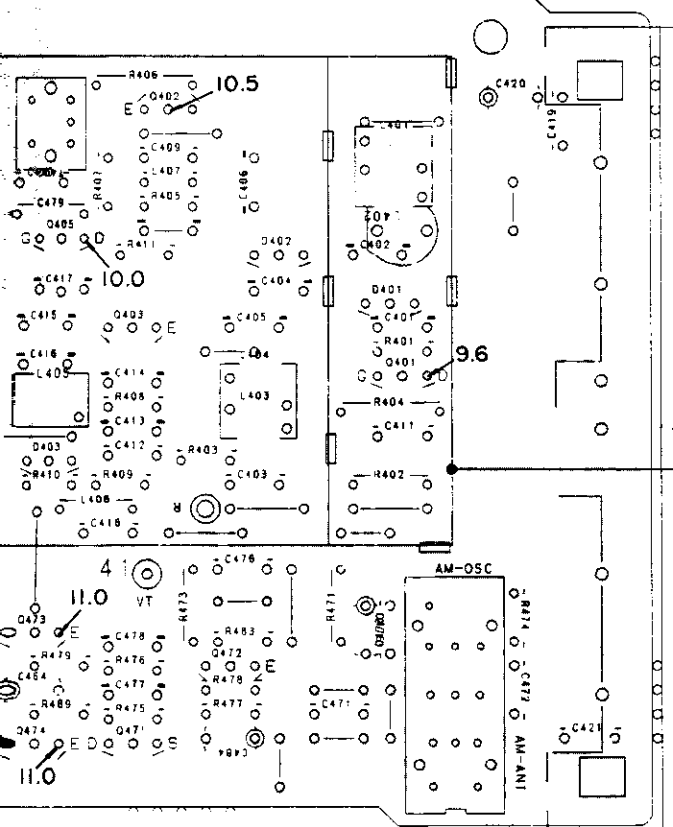


To AF assembly CN401  
(To page 13)

assembly (AWZ3607)  
(AWZ3602)



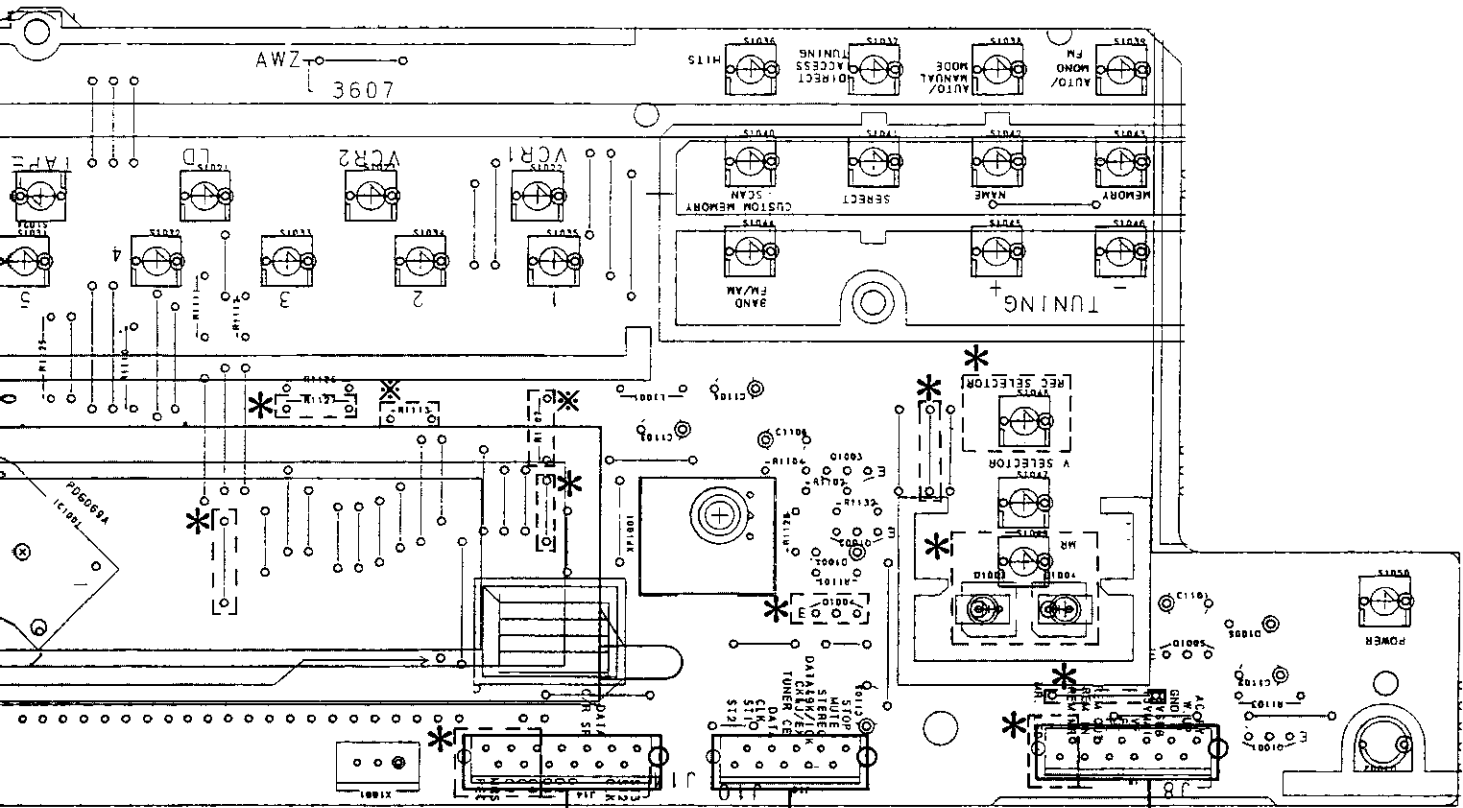
To SUR assembly CN1  
(To page 21)



To SUR assembly CN12  
(To page 22)

To AF assembly J4  
(To page 13)

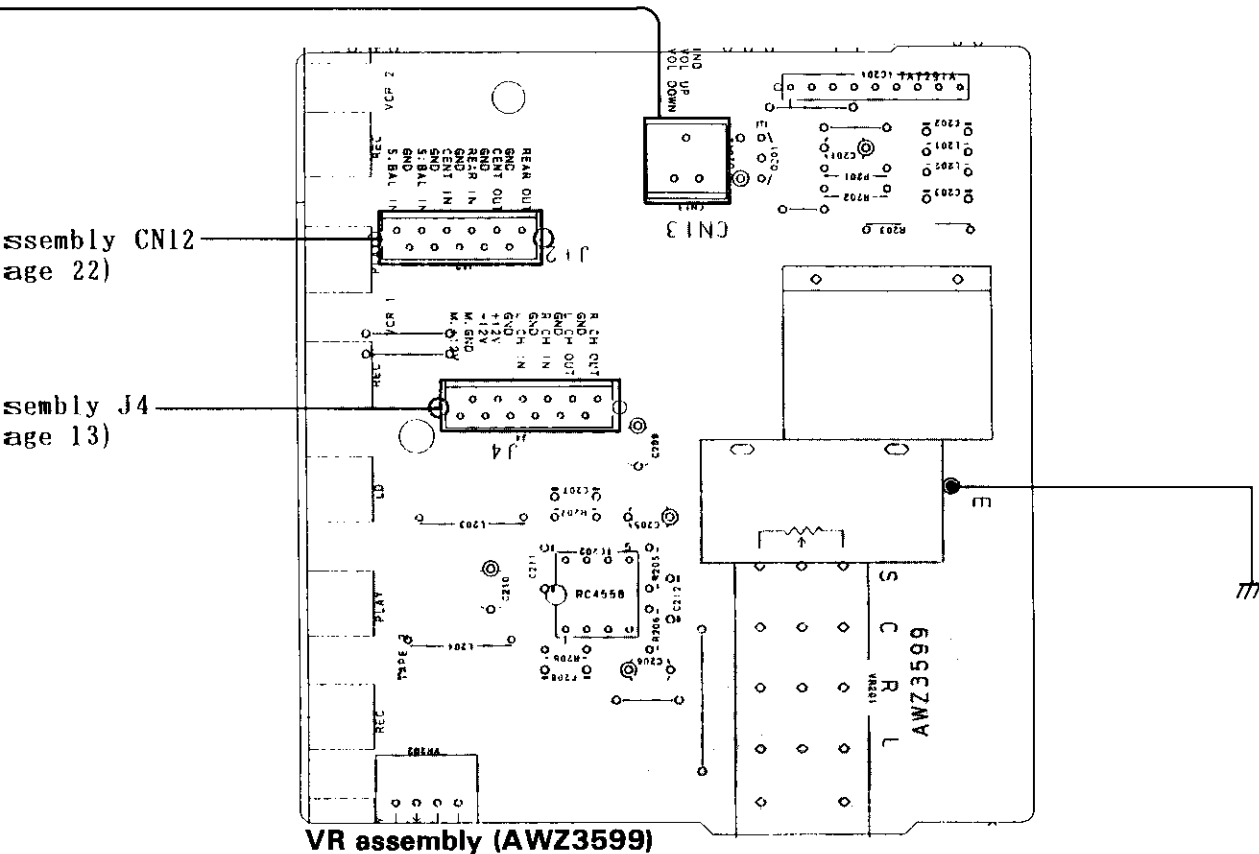
38



To SUR assembly CN14  
(To page 21)

To AF assembly CN10  
(To page 13)

To AF assembly CN8  
(To page 14)



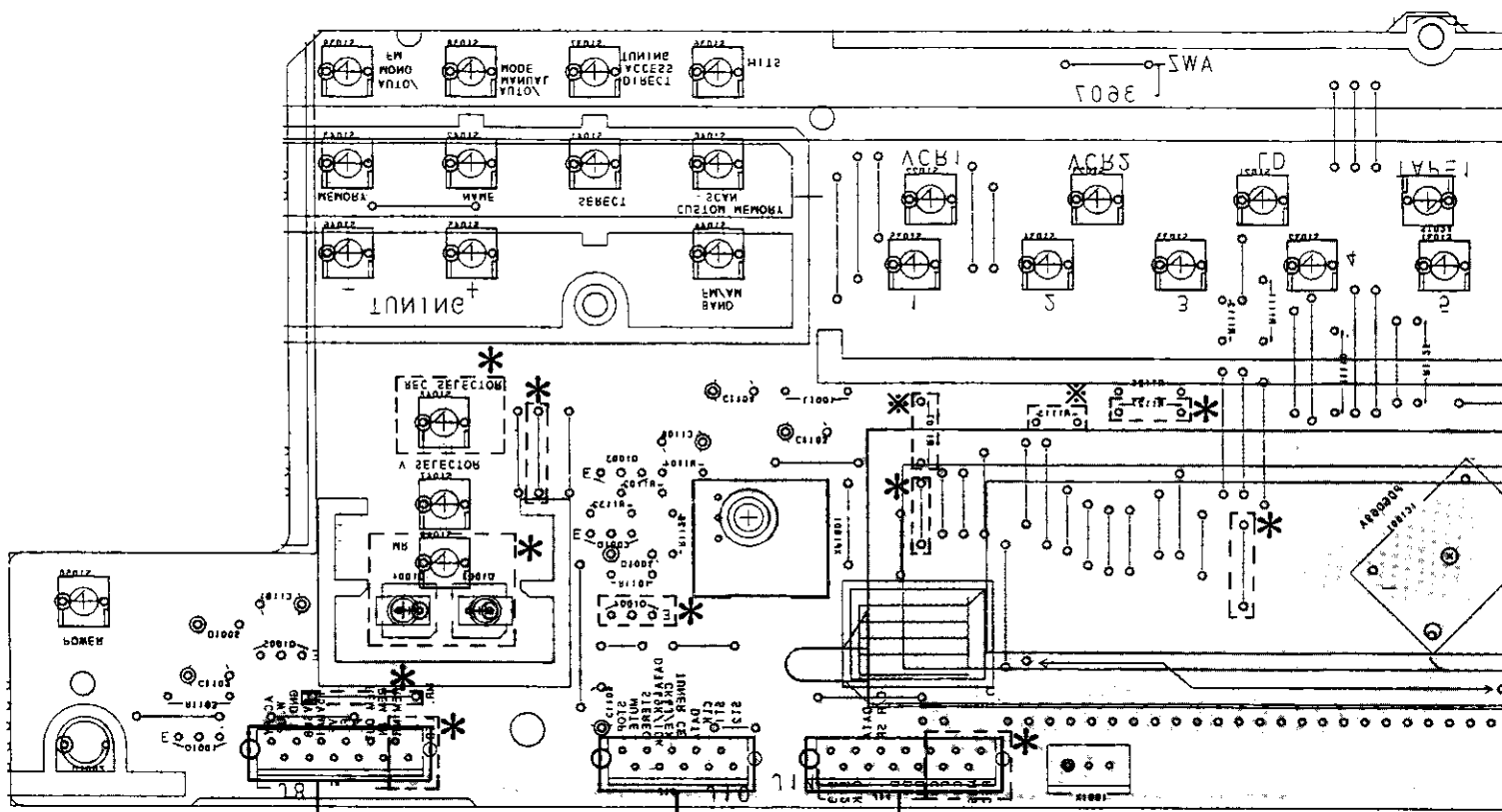
Assembly CN12  
(page 22)

Assembly J4  
(page 13)

VR assembly (AWZ3599)

A

B



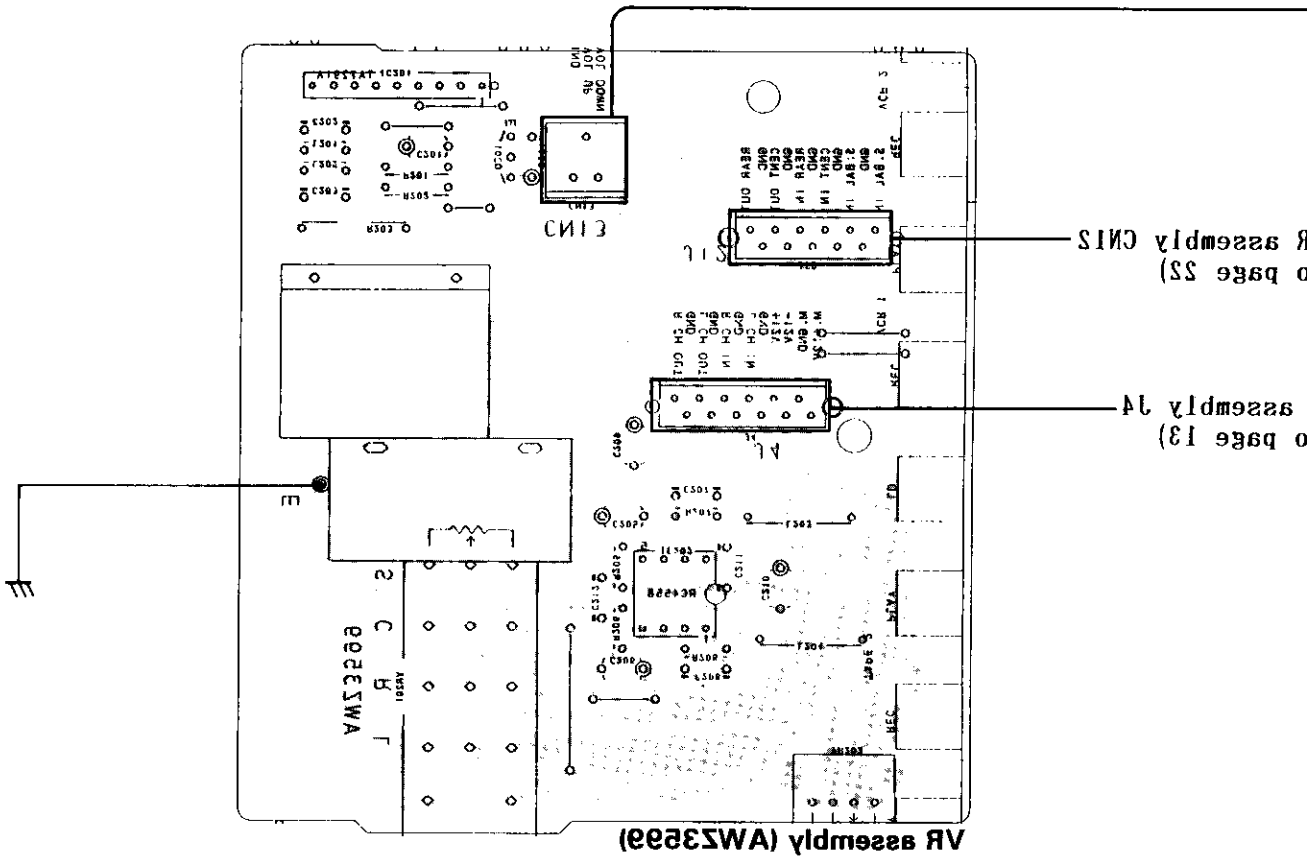
To AF assembly C14  
(To page 21)

To AF assembly C10  
(To page 13)

To AF assembly C18  
(To page 14)

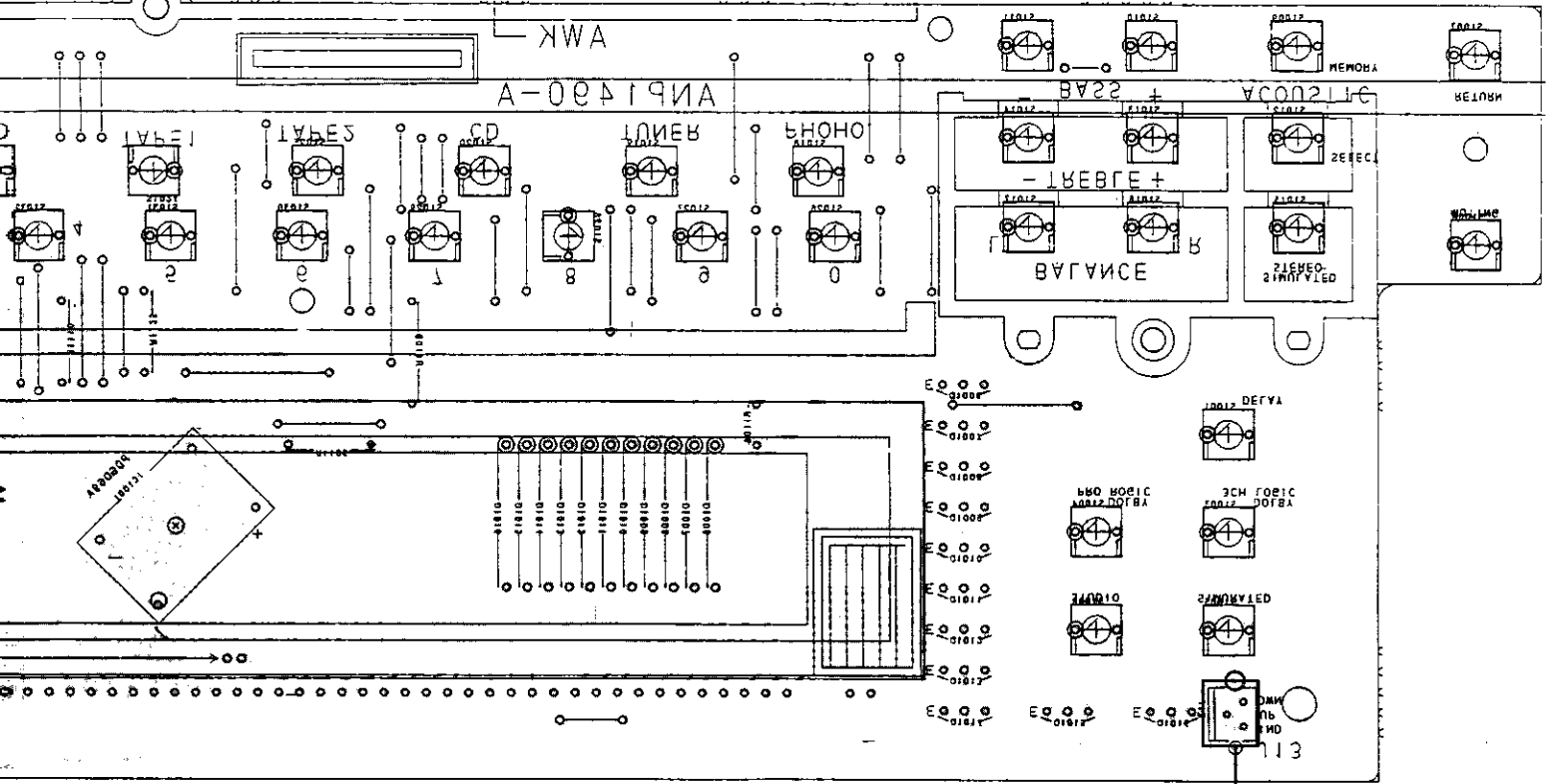
C

D



To assembly C15  
(To page 23)

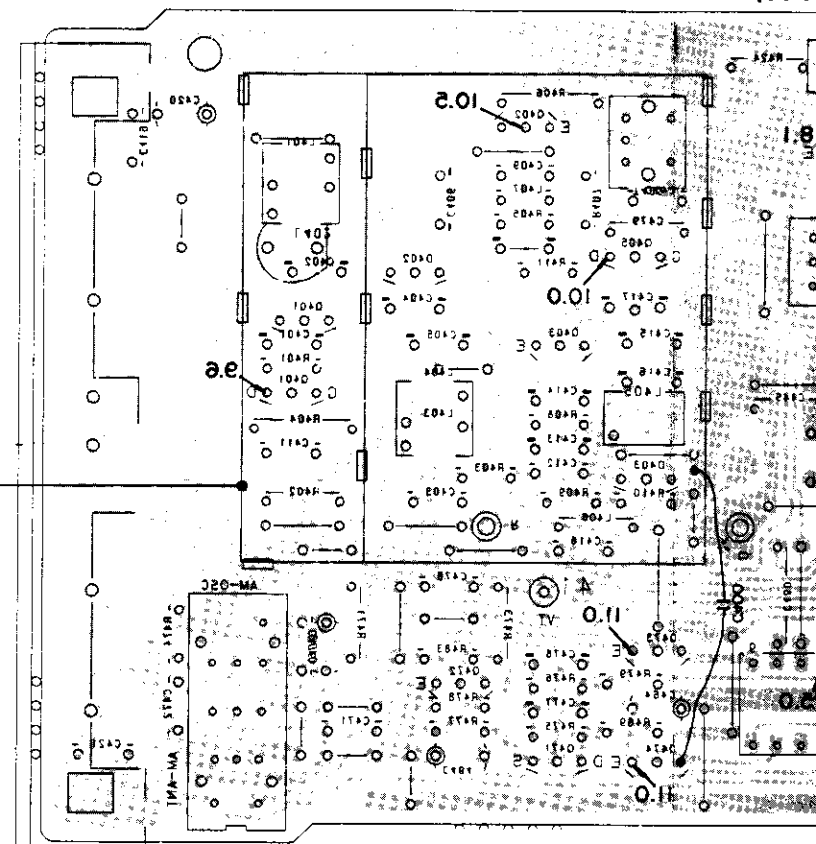
To assembly 14  
(To page 13)

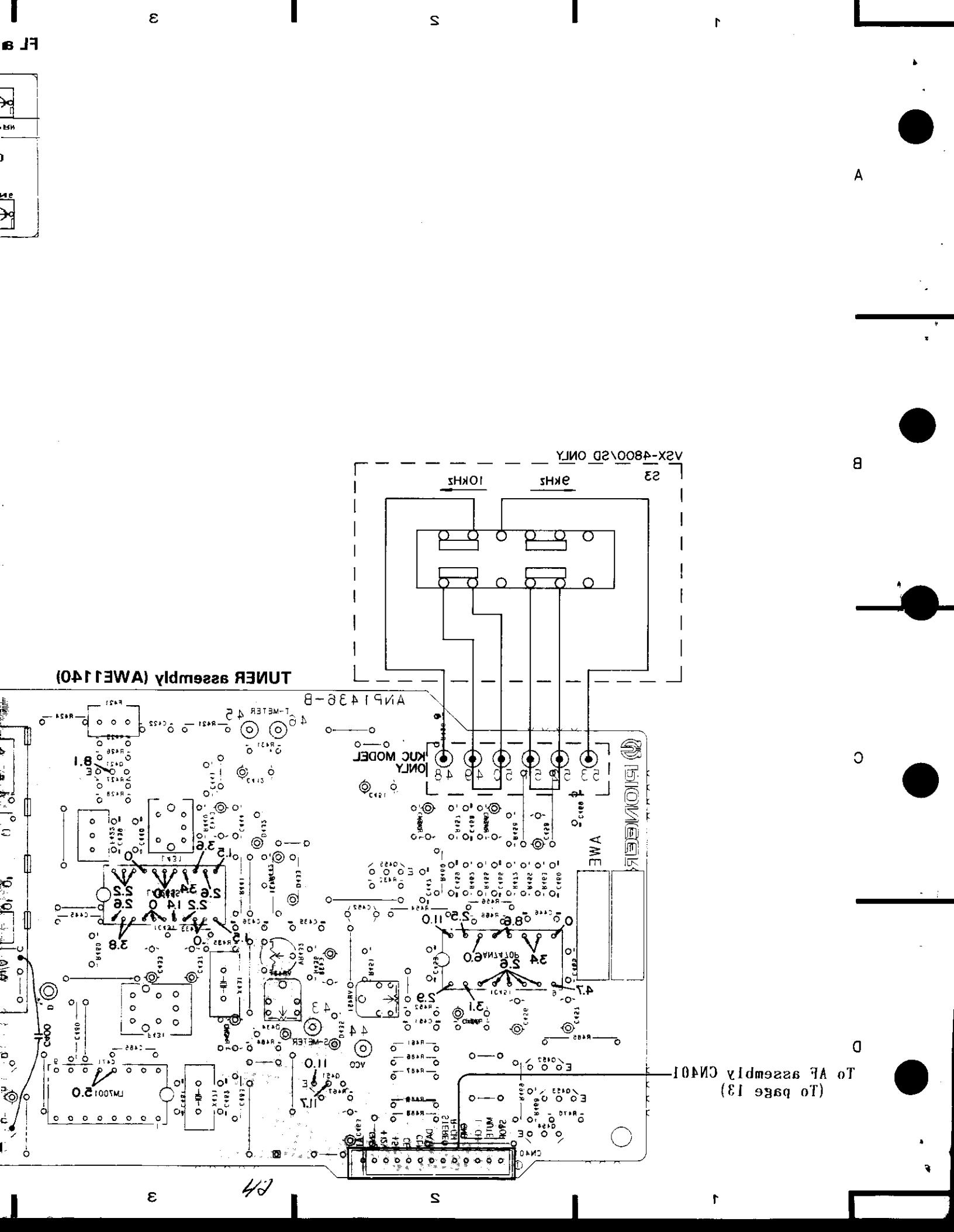


To SUR ass (To page 13)

To SUR assembly CNT (To page 22)

To AF assembly 14 (To page 13)





TUNER assembly (AW1140)

ANP1438-B

KNC MODEL ONLY

PIONEER WME

(To page 13)  
To AF assembly CN401

VSX-4800V2D ONLY

23

3KHZ 10KHZ

A

B

C

D

3

5

1

3

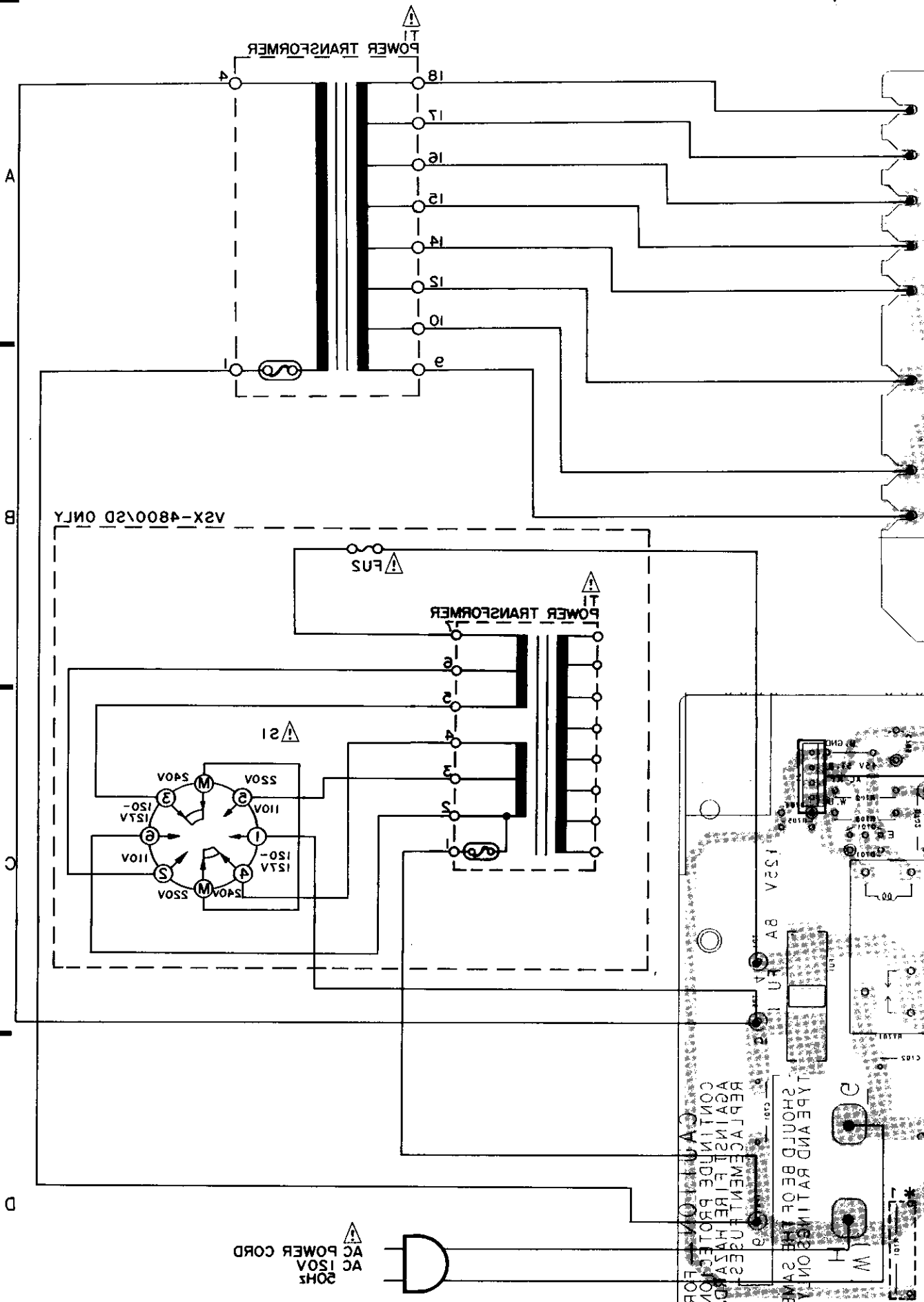
5

1

FL B







A

B

C

D

AC POWER CORD  
AC 150V  
30Hz

V2X-48002D ONLY

POWER TRANSFORMER

POWER TRANSFORMER

FUS

125

250V  
110V  
125V  
110V  
125V  
110V  
125V  
250V

TYPE AND RATING ON THE  
SHOULD BE OF THE SAME  
REPLACEMENT USES  
AGAINST FIRE HAZARD  
CONTAIN FIRE PROTECTION  
CAUTION

152V 8A

43

e

2

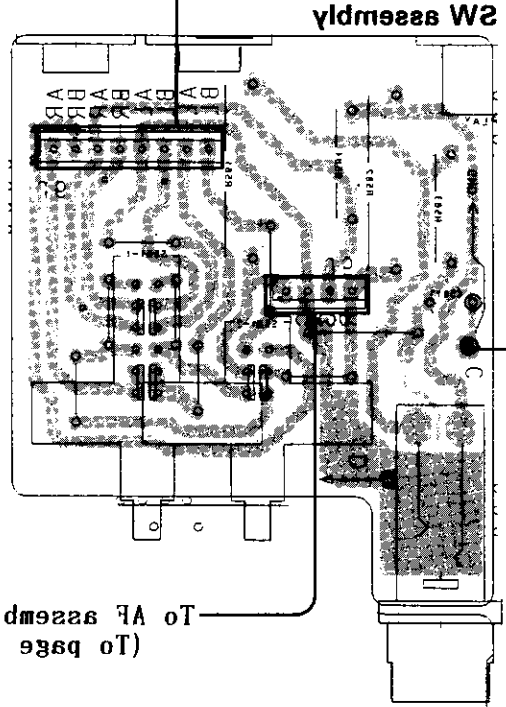
4

e

2

4

A  
B  
C  
D



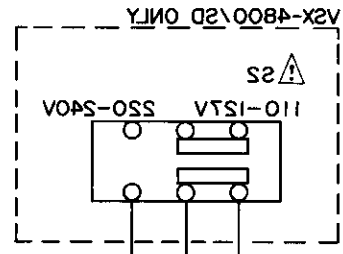
To AF assembly 16  
(To page 14)

To AF assembly 13  
(To page 14)

To AF assembly 12  
(To page 14)

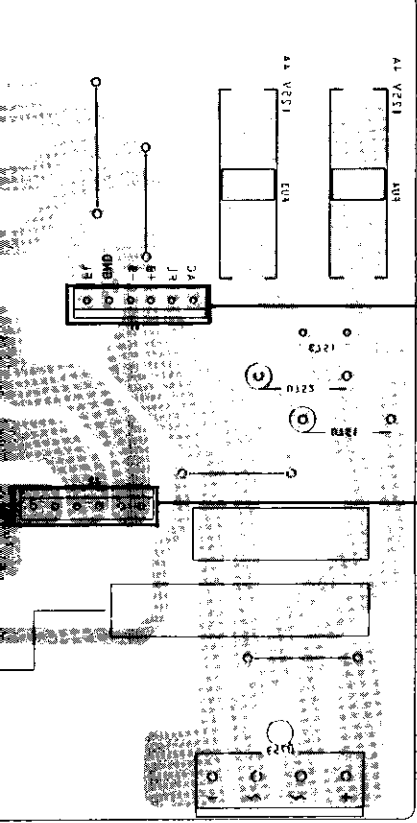
To AF assembly 12  
(To page 14)

To AF assembly 11  
(To page 14)

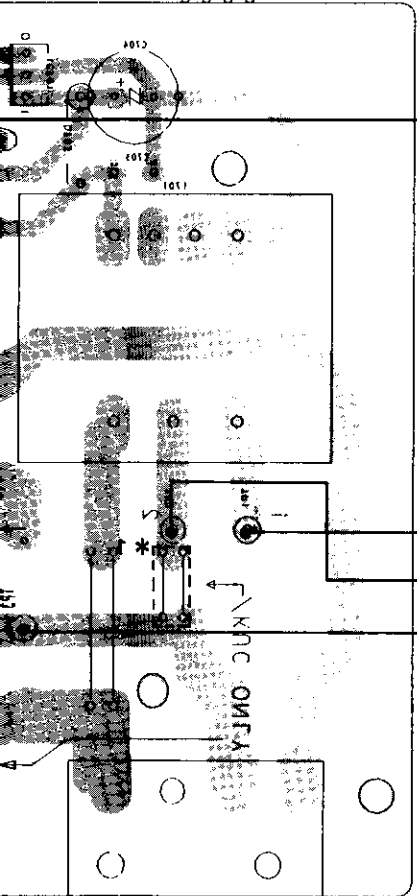


(NOTE)  
When replace the SB TR assembly of 2D type,  
cut the part \*1.

TRANS assembly



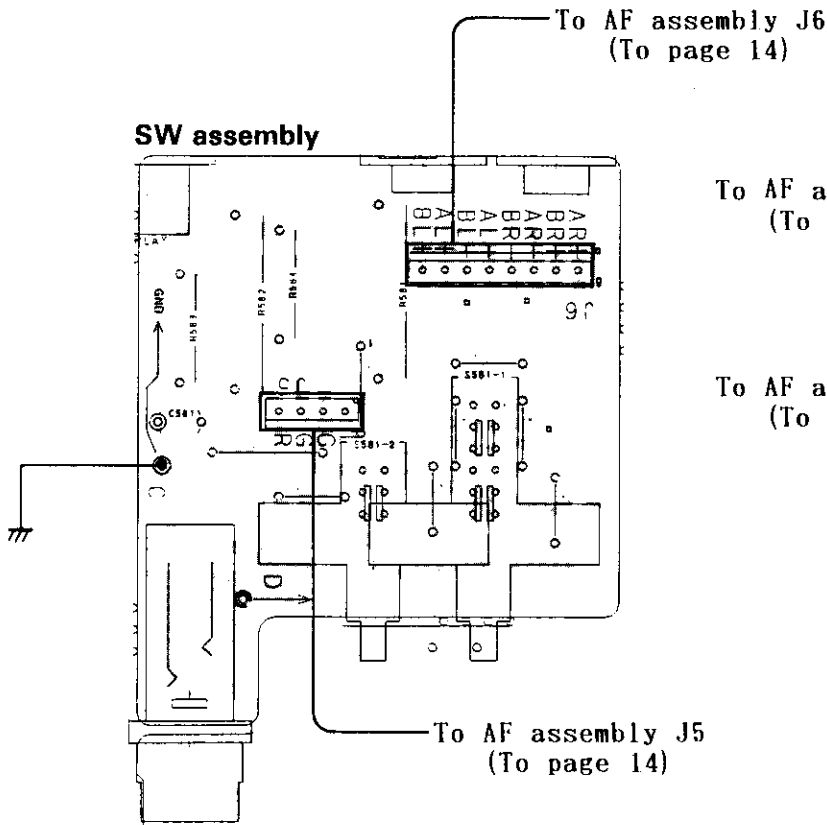
SB TR assembly



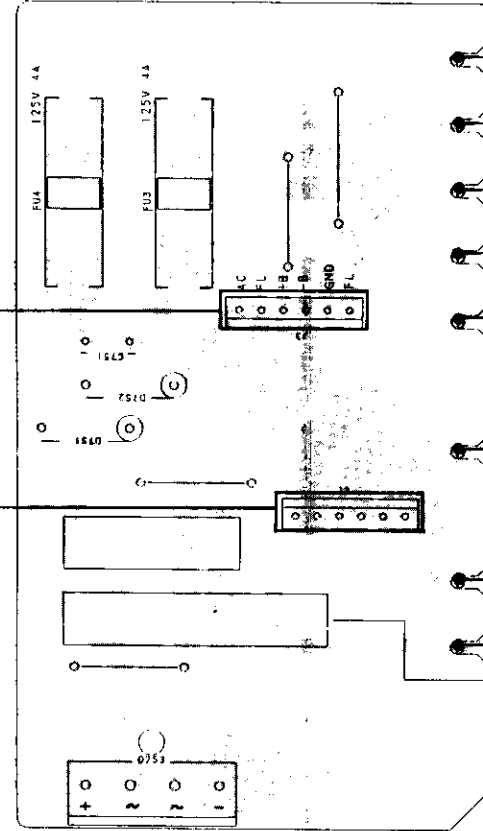
4.6 SW, TRANS and SB. TR assembly

A

SW assembly



TRANS assembly



NOTE

1. This P.C.B connection diagram is viewed from the parts mounted side.
2. The parts which have been mounted on the board can be replaced with those shown with the corresponding wiring symbols listed in the following Table.

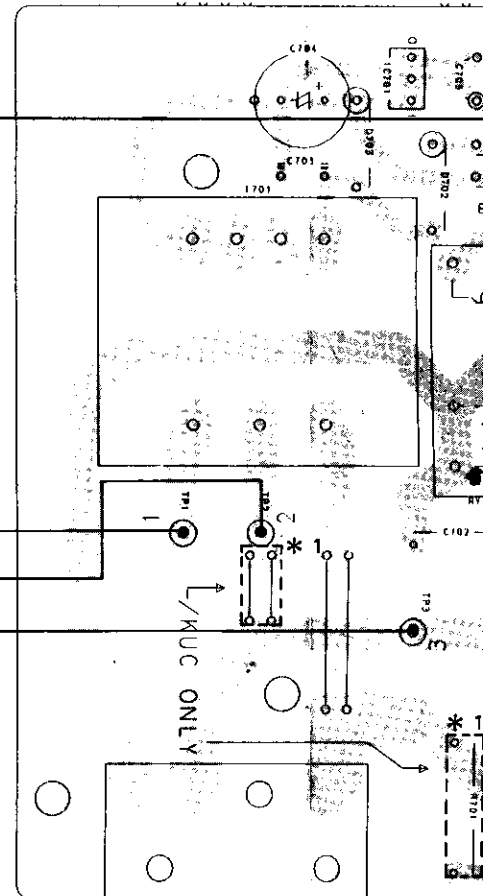
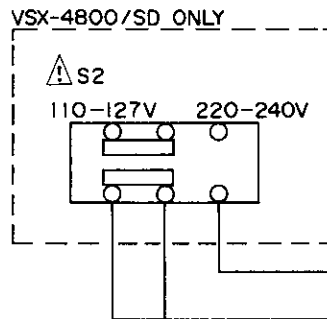
P.C.B. pattern diagram indication	Corresponding part symbol	Part Name
		Transistor
		Radiator type transistor
		Diode
		Resistor
		Capacitor (Polarity)
		Capacitor (Non-polarity)

Others

P.C.B. pattern diagram indication	Part Name
IC	IC
S	Switch
RY	Relay
L	Coil
F	Filter
VR	Variable resistor or Semi-fixed resistor

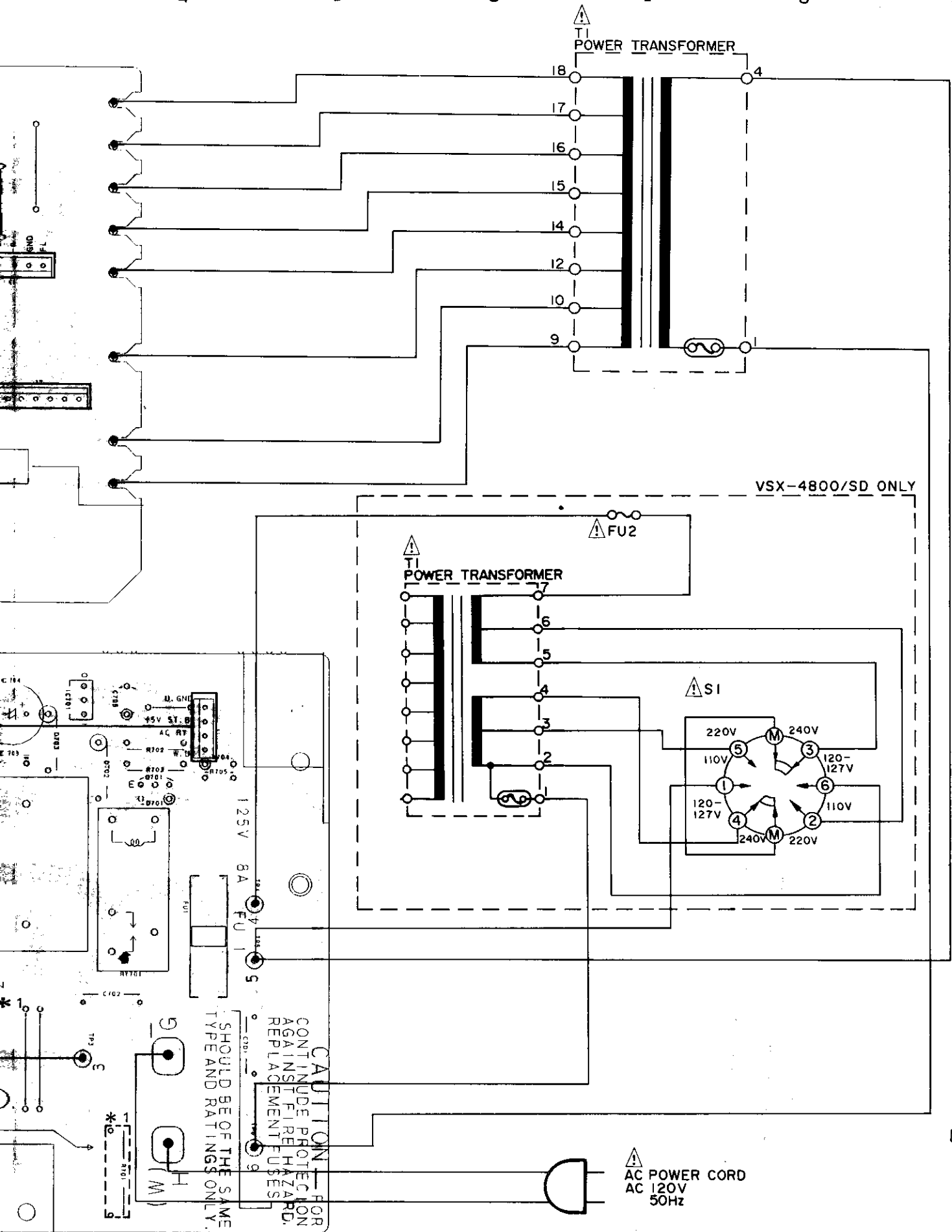
3. The capacitor terminal marked with ⊕ (double circles) shows negative terminal.
4. The diode terminal marked with ⊕ (double circles) shows cathode side.
5. The transistor terminal to which E is affixed shows the emitter.

To AF assembly J1  
(To page 14)



SB. TR assembly

NOTE)  
When replace the SB.TR assembly of SD type,  
cut the part \*1.



A

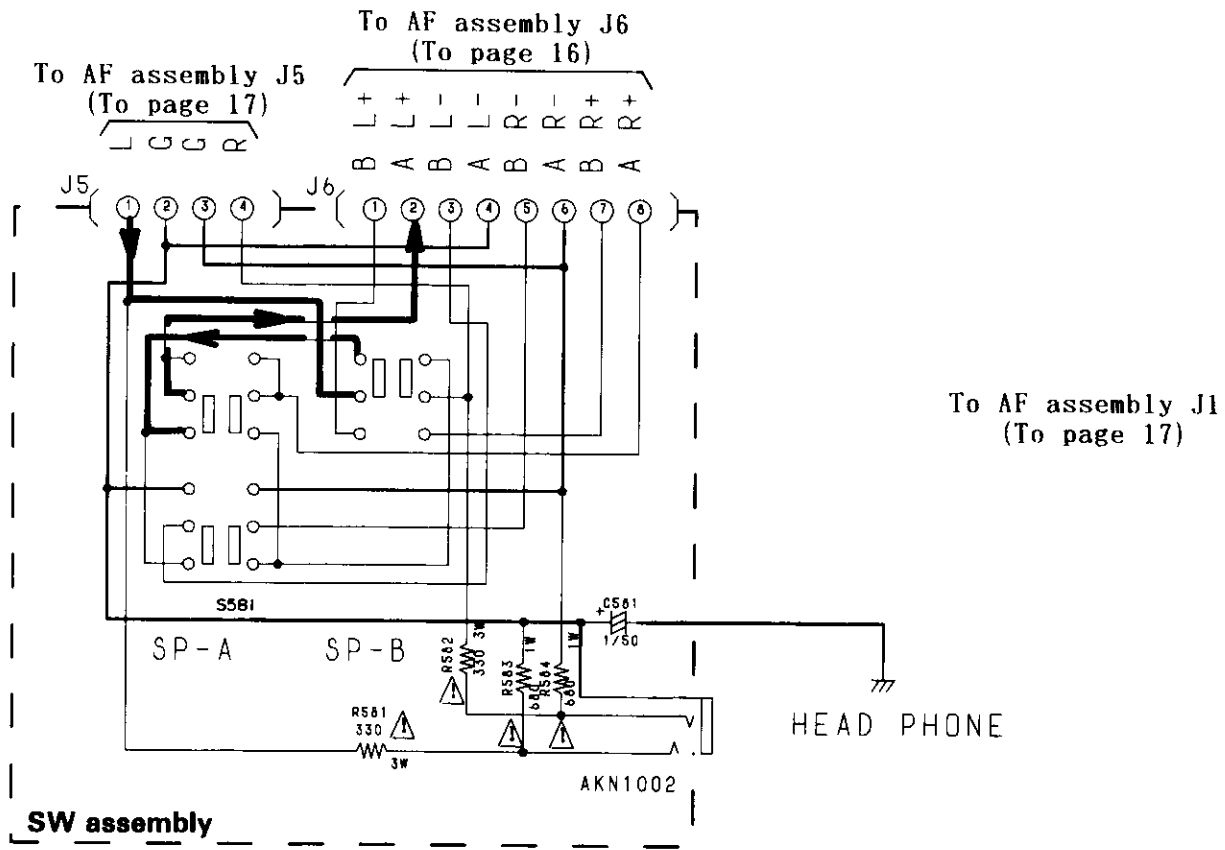
B

C

D

To AF  
(To

To AF ass  
(To pa

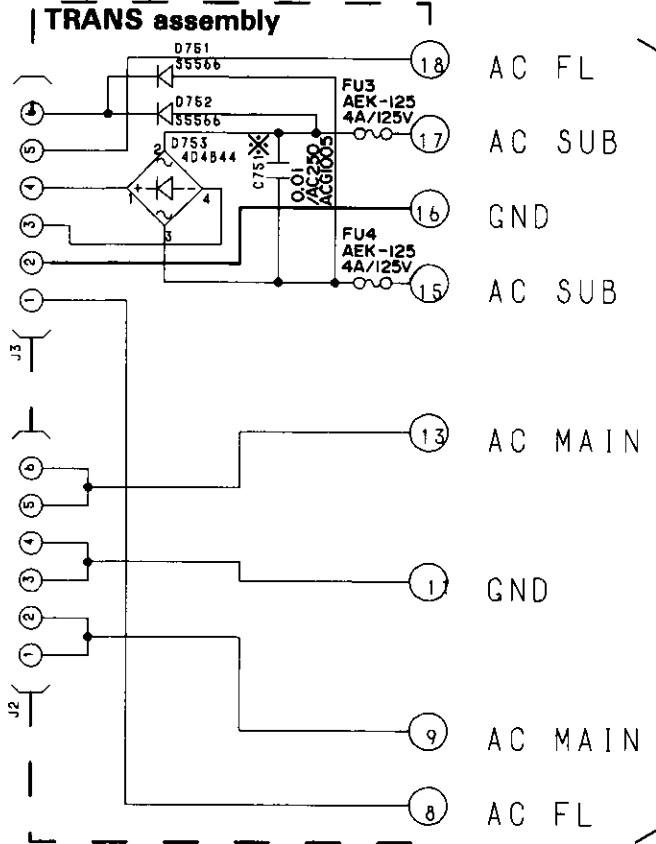


2/7

TRANS assembly

To AF assembly J3  
(To page 17)

To AF assembly J2  
(To page 17)



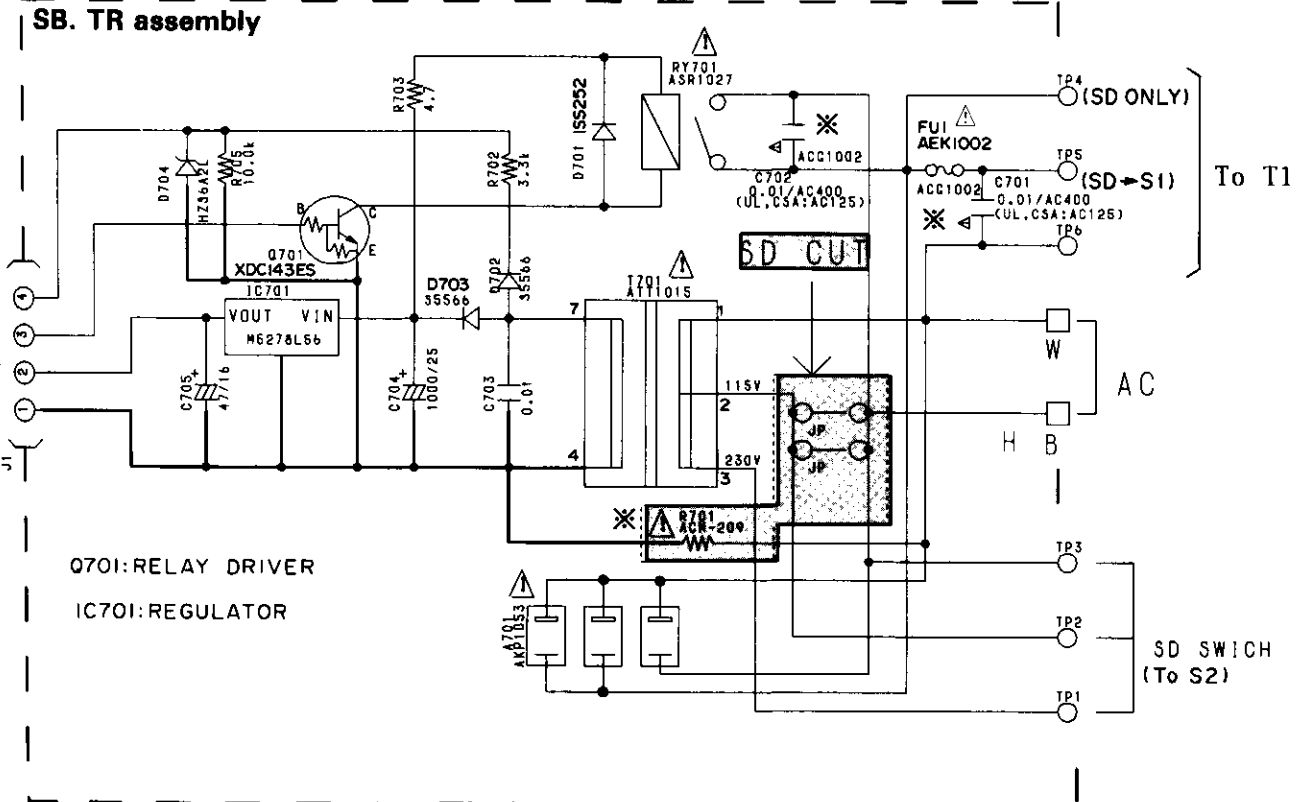
To T1

A

B

SB. TR assembly

W UP  
RY  
+5V ST BY  
GND



To T1

C

D