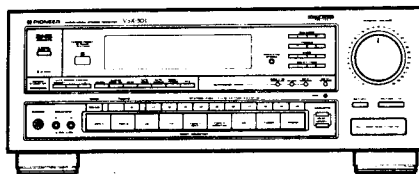


 **PIONEER**[®]
The Art of Entertainment

5

Service Manual



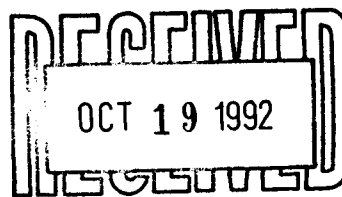
ORDER NO.
ARZ2558

AUDIO/VIDEO STEREO RECEIVER

VSX-501

VSX-511S

VSX-52

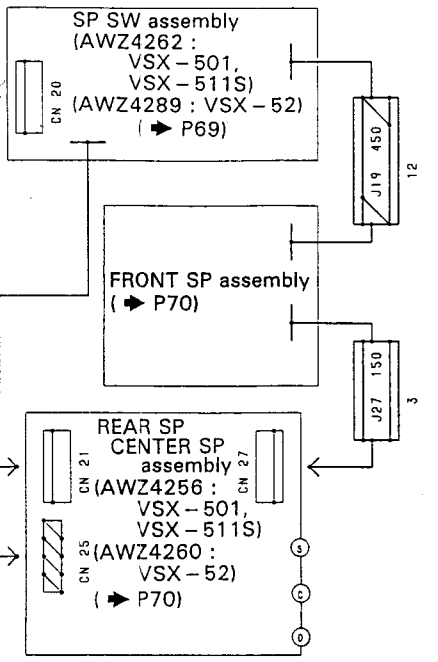


CIRCUIT DIAGRAMS &
PATTERN LAYOUTS
WITH MICROFICHE

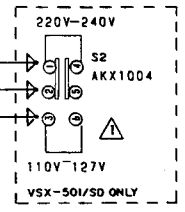
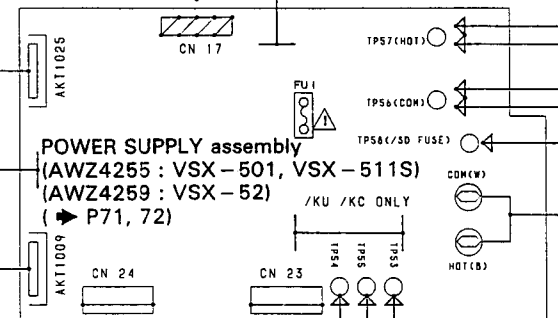
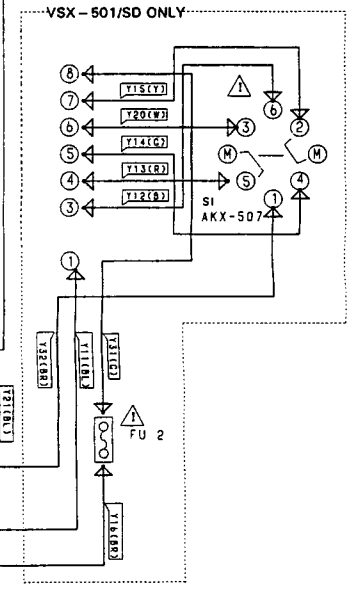
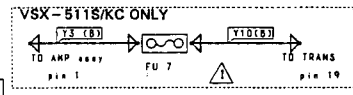
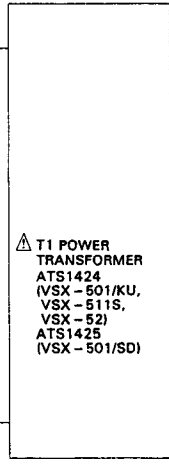
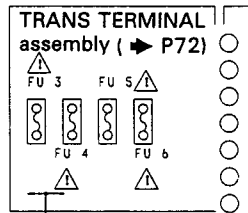
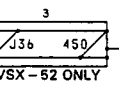
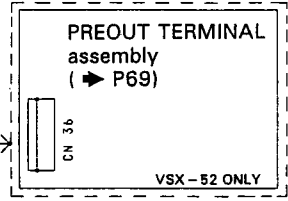
(MICROFICHE PORTION LOCATED INSIDE BACK COVER)

PIONEER ELECTRONIC CORPORATION 4-1, Meguro 1-Chome, Meguro-ku, Tokyo 153, Japan
PIONEER ELECTRONICS SERVICE INC. P.O. Box 1760, Long Beach, California 90801 U.S.A.
PIONEER ELECTRONICS OF CANADA, INC. 300 Allstate Parkway Markham, Ontario L3R 0P2 Canada
PIONEER ELECTRONIC [EUROPE] N.V. Haven 1087 Keetberglaan 1, 9120 Melsele, Belgium
PIONEER ELECTRONICS AUSTRALIA PTY. LTD. 178-184 Boundary Road, Braeside, Victoria 3195, Australia TEL: [03] 580-9911
PIONEER ELECTRONIC CORPORATION 1992

DFG JUNE 1992 Printed in Japan



PARTS NO.	PARTS NAME		
	VSX-501/KU VSX-511S/KU VSX-52/KU	VSX-501/SD	VSX-511S/KC
FU1	AEK1002 8A/125V	AEK-125 4A/125V	AEK1002 8A/125V
FU2		AEK-125 4A/125V	
FU3	AEK-125 4A/125V	AEK-125 4A/125V	AEK-125 4A/125V
FU4	AEK-125 4A/125V	AEK-125 4A/125V	AEK-125 4A/125V
FU5	AEK-120 1.25A/125V	AEK-120 1.25A/125V	AEK-120 1.25A/125V
FU6	AEK-120 1.25A/125V	AEK-120 1.25A/125V	AEK-120 1.25A/125V
FU7			AEK1002 8A/125V

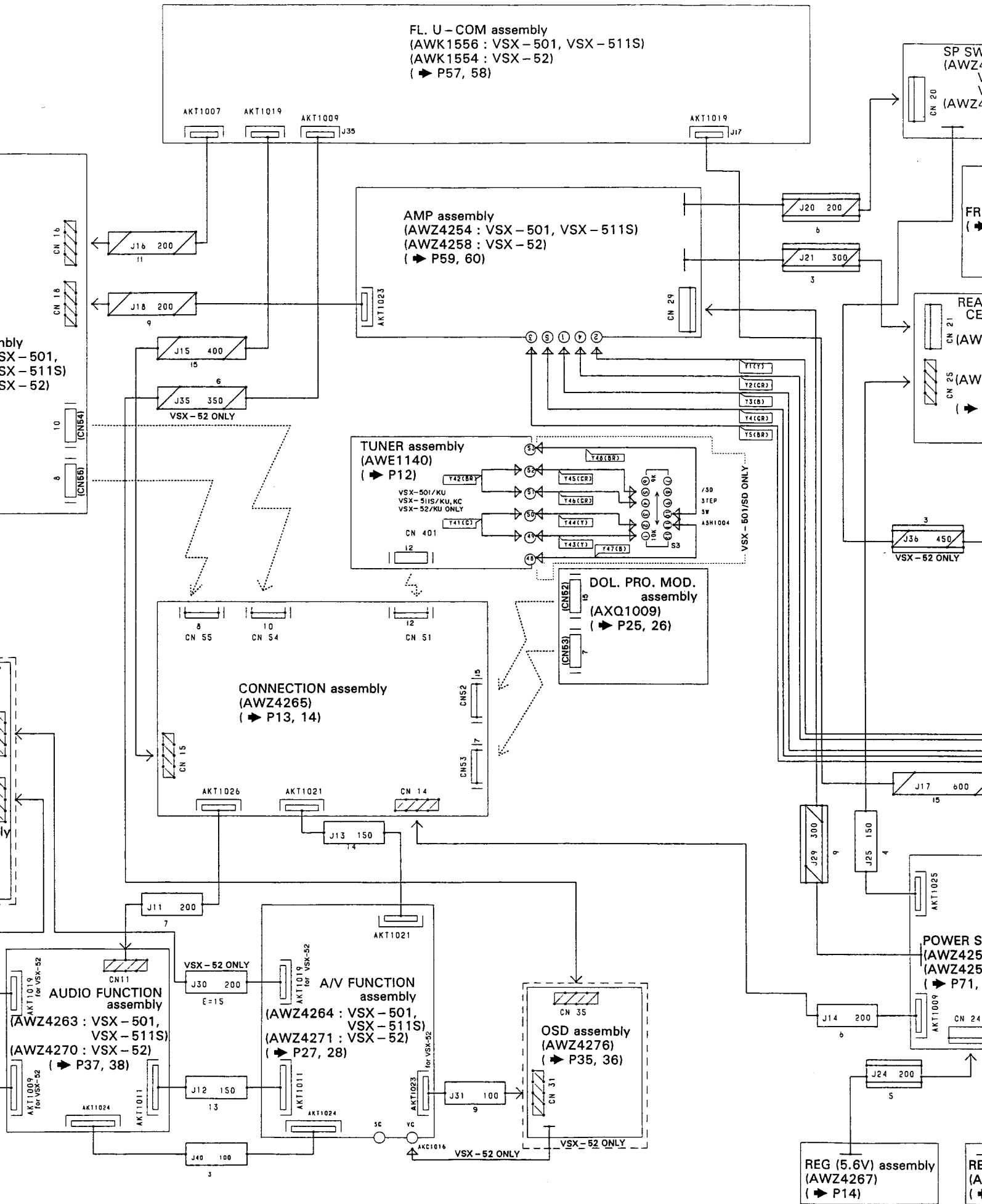


A

B

C

D



5. SCHEMATIC AND PCB CONNECTIONS DIAGRAMS

5.1 OVERALL SCHEMATIC DIAGRAM

Note: (Type 1)

1. When ordering service parts, be sure to refer to "PARTS LIST of EXPLODED VIEWS" or "PCB PARTS LIST".

2. Since these are basic circuits, some parts of them or the values of some components may be changed for improvement.

3. RESISTORS:
Unit: k:kΩ, M:MΩ, or Ω unless otherwise noted.
Rated power: 1/4W, 1/6W, 1/8W, 1/10W unless otherwise noted.
Tolerance: (F): ±1%, (G): ±2%, (K): ±10%, (M): ±20% or ±5% unless otherwise noted.

4. CAPACITORS:
Unit: p:pF or μF unless otherwise noted.
Ratings: capacitor (μF)/ voltage (V) unless otherwise noted.
Rated voltage: 50V except for electrolytic capacitors.

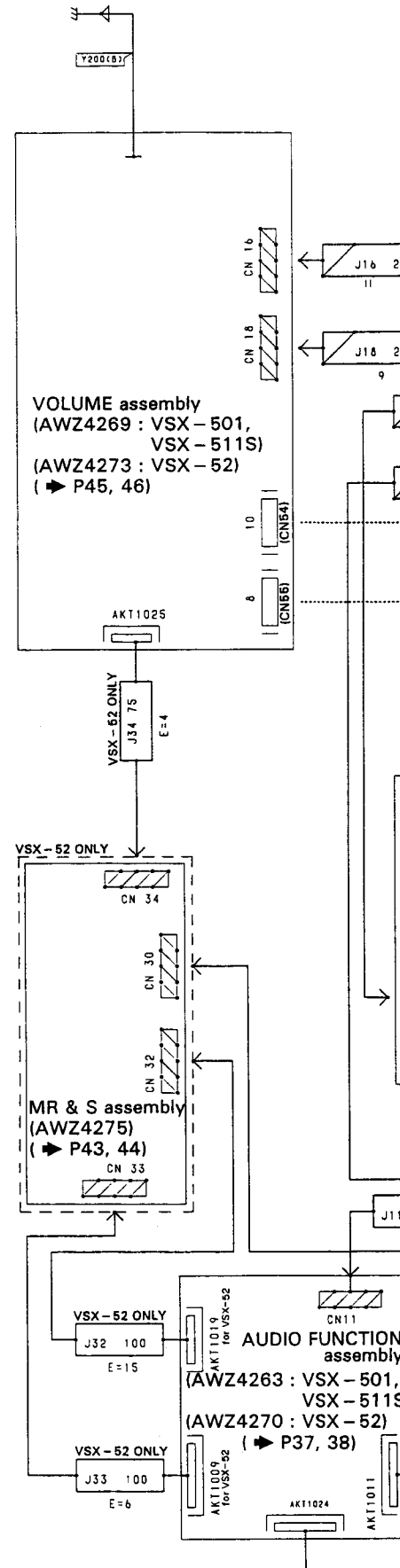
5. COILS:
Unit: m:mH or μH unless otherwise noted.

6. VOLTAGE AND CURRENT:
V: Signal voltage at rated output.
V: DC voltage (V) at no input signal unless otherwise noted. Value in () is DC voltage at rated power.
mA or -mA: DC current at no input signal unless otherwise noted.

7. OTHERS:
• → : Signal route.
• ⊗ : Adjusting point.
• ▼ (Red) : Measurement point.
• The Δ mark found on some component parts indicates the importance of the safety factor of the parts. Therefore, when replacing, be sure to use parts of identical designation.

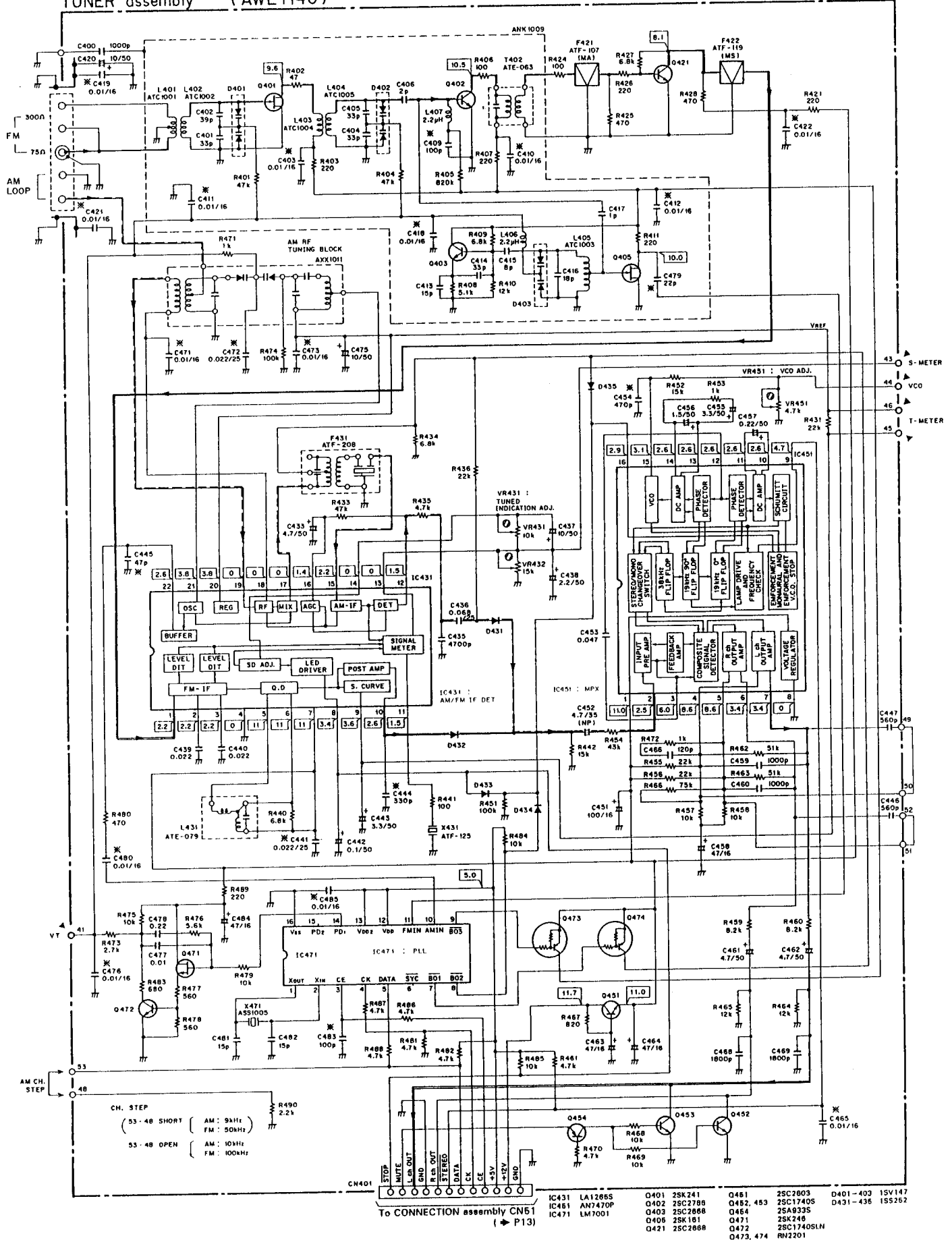
8. SWITCHES (Underline indicates switch position):
S1 LINE VOLTAGE SELECTOR (VSX-501/SD ONLY)
AC110V/120-127V/220V/240V
S2 LINE VOLTAGE SELECTOR (VSX-501/SD ONLY)
AC110-127V/220-240V
S3 CH. STEP (VSX-501/SD ONLY)
9kHz - 10kHz

	S631	4	S631	4
FL. U-COM assembly	S632	AUTO MANUAL	S632	AUTO MANUAL
S601	S633	EFFECT UP	S633	EFFECT UP
S602	S634	TAPE 1/DAT	S634	TAPE 1/DAT
S603	S635	5	S635	5
S604	S636	DIRECT ACCESS	S636	DIRECT ACCESS
S605	S637	BASS UP	S637	BASS UP
S606	S638	TAPE 2/MONITOR	S638	TAPE 2/MONITOR
S607	S639	6	S639	6
S608	S640	HITS	S640	HITS
S609	S641	3CH LOGIC	S641	3CH LOGIC
S610	S642	CD	S642	CD
S611	S643	7	S643	7
S612	S645	TREBLE UP	S645	TREBLE UP
S613	S646	TUNER	S646	TUNER
S614	S647	8	S647	8
S615	S649	BALANCE RCH	S649	BALANCE RCH
S616	S650	PHONO	S650	PHONO
S617	S651	9	S651	9
S618	S653	RETURN	S653	RETURN
S619	S654	ACOUSTIC SELECT	S654	ACOUSTIC SELECT
S620	S655	0	S655	0
S621	S657	MUTING	S657	MUTING
S622	S658	ACOUSTIC MEMORY	S658	ACOUSTIC MEMORY
S623	S659	RESET	S659	RESET
S624				
S625				
S626	SP SW assembly			
S627	S251	SP-A ON/OFF		
S628		SP-B ON/OFF		
S629				



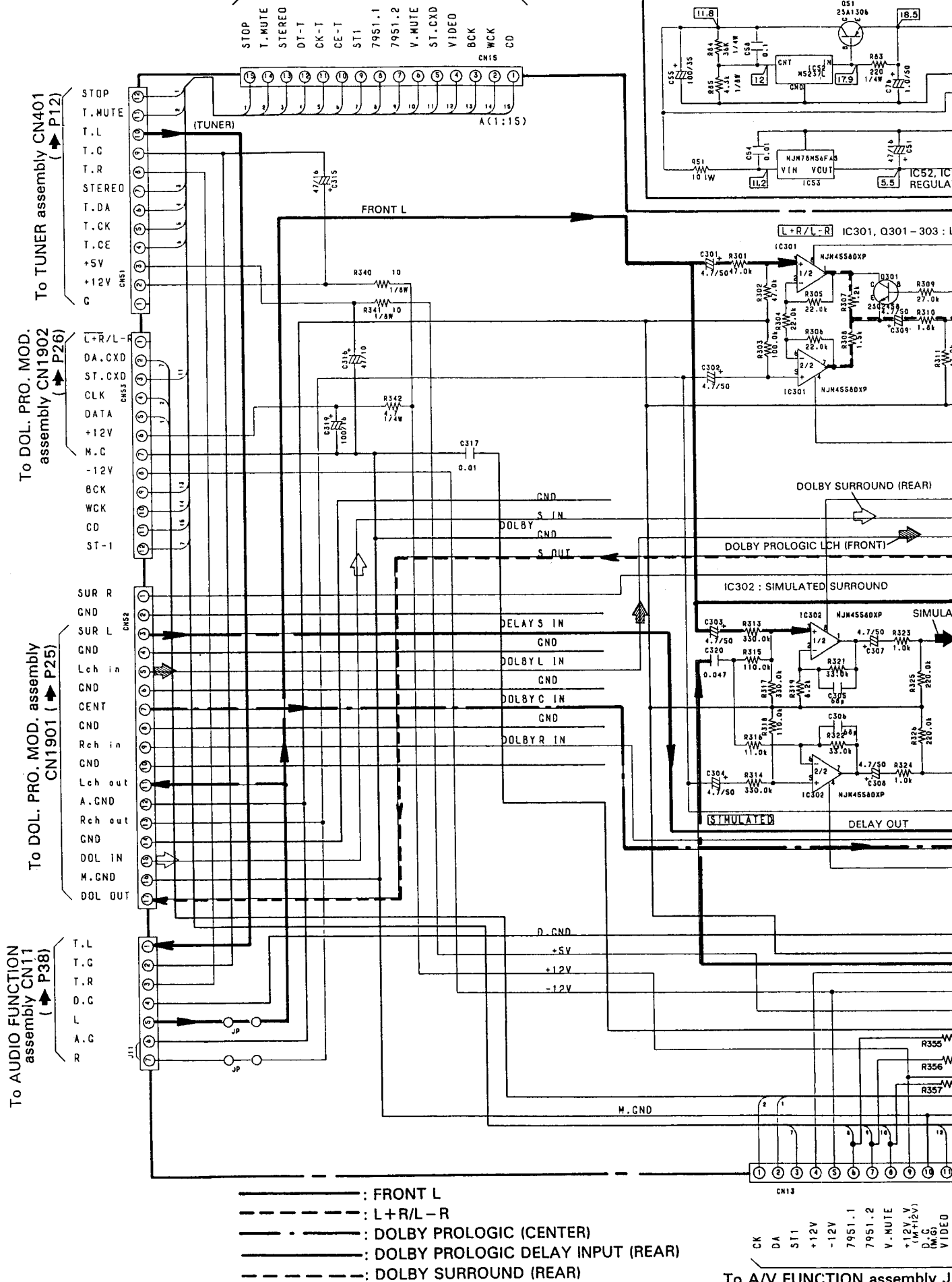
5.2 TUNER ASSEMBLY, CONNECTION ASSEMBLY, REG (12V) ASSEMBLY AND REG (5.6V) ASSEMBLY

TUNER assembly (AWE1140)



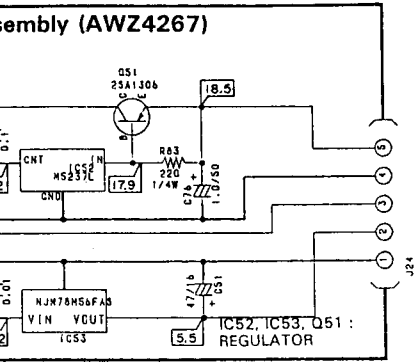
To FL. U - COM assembly J15 (➔ P57)

REG (5.6V) assembly (AWZ4267)

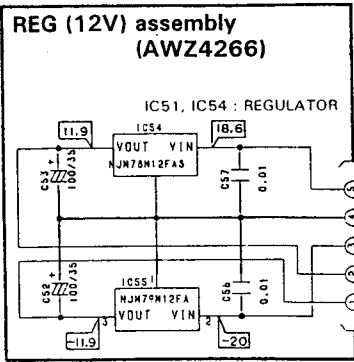


- : FRONT L
- - - - - : L+R/L-R
- : DOLBY PROLOGIC (CENTER)
- . - . - : DOLBY PROLOGIC DELAY INPUT (REAR)
- - - - - : DOLBY SURROUND (REAR)

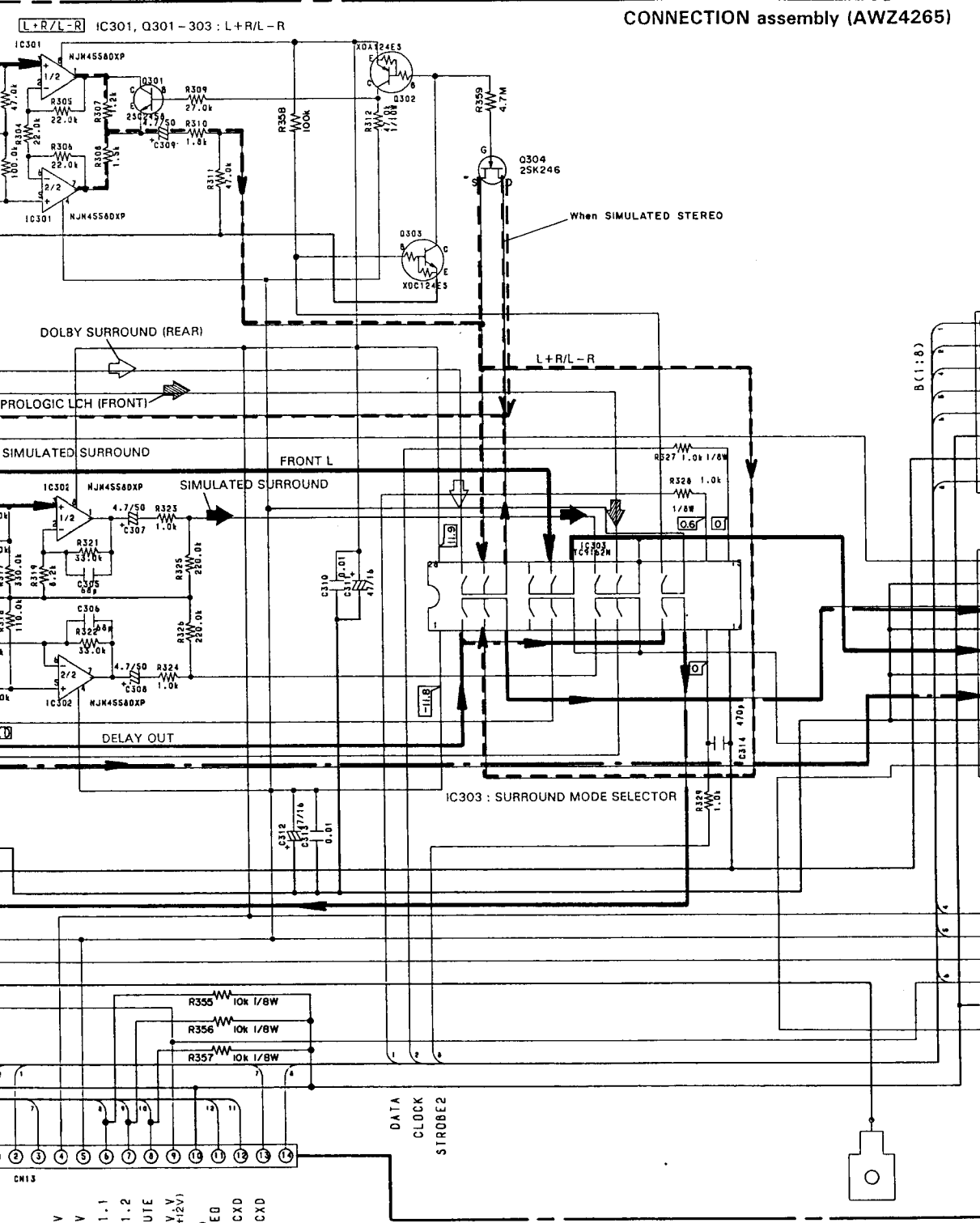
To A/V FUNCTION assembly J1



To POWER SUPPLY
assembly CN24
(➔ P71)



To POWER SUPPLY
assembly CN23
(➔ P71)

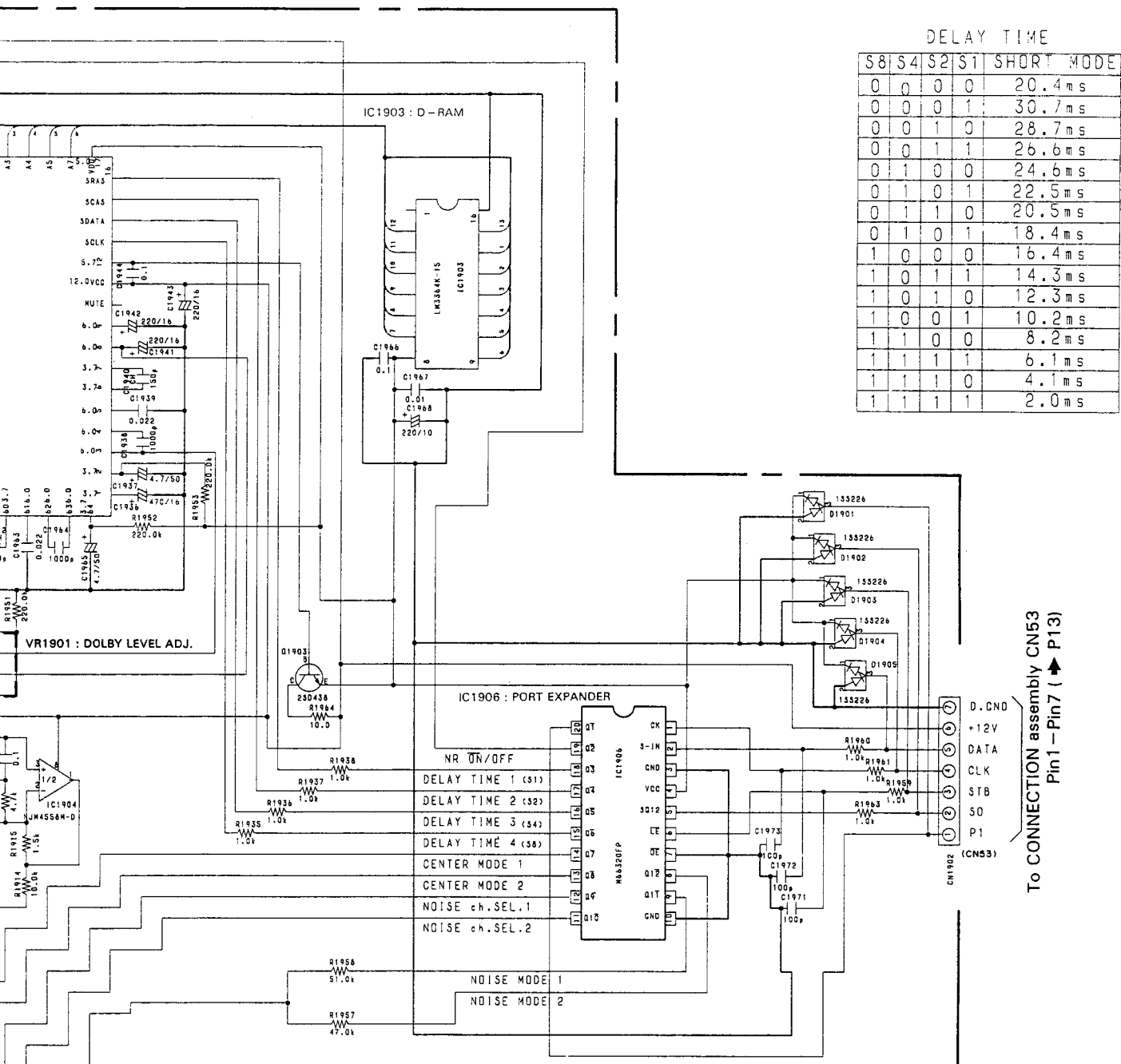


To VOLUME assembly
CN55 (➔ P45)

To VOLUME assembly
CN54 (➔ P45)

To POWER SUPPLY
assembly J14
(➔ P71)

V FUNCTION assembly J13 (➔ P28)



DELAY TIME

S8	S4	S2	S1	SHORT MODE
0	0	0	0	20.4ms
0	0	0	1	30.7ms
0	0	1	0	28.7ms
0	0	1	1	26.6ms
0	1	0	0	24.6ms
0	1	0	1	22.5ms
0	1	1	0	20.5ms
0	1	1	1	18.4ms
1	0	0	0	16.4ms
1	0	1	1	14.3ms
1	0	1	0	12.3ms
1	0	0	1	10.2ms
1	1	0	0	8.2ms
1	1	1	1	6.1ms
1	1	1	0	4.1ms
1	1	1	1	2.0ms

A

B

C

D

NOISE MODE1	NOISE MODE2	
H	H	3ch
H	L	4ch
L	H	4ch
L	L	NOISE

NOISE ch.SEL.1	AUTO BALANCE
H	ON
L	OFF
NOISE ch.SEL.2	AUTO BALANCE
H	ON
L	Test Mode

(* 3,4ch MODE)

CENTER MODE1	CENTER MODE2	
L	L	NORMAL
L	H	WIDE
H	L	PHANTOM
H	H	OFF

(* 3,4ch MODE)

NOISE ch.SEL.1	NOISE ch.SEL.2	ch
L	L	Lch
L	H	Cch
H	L	Rch
H	H	Sch

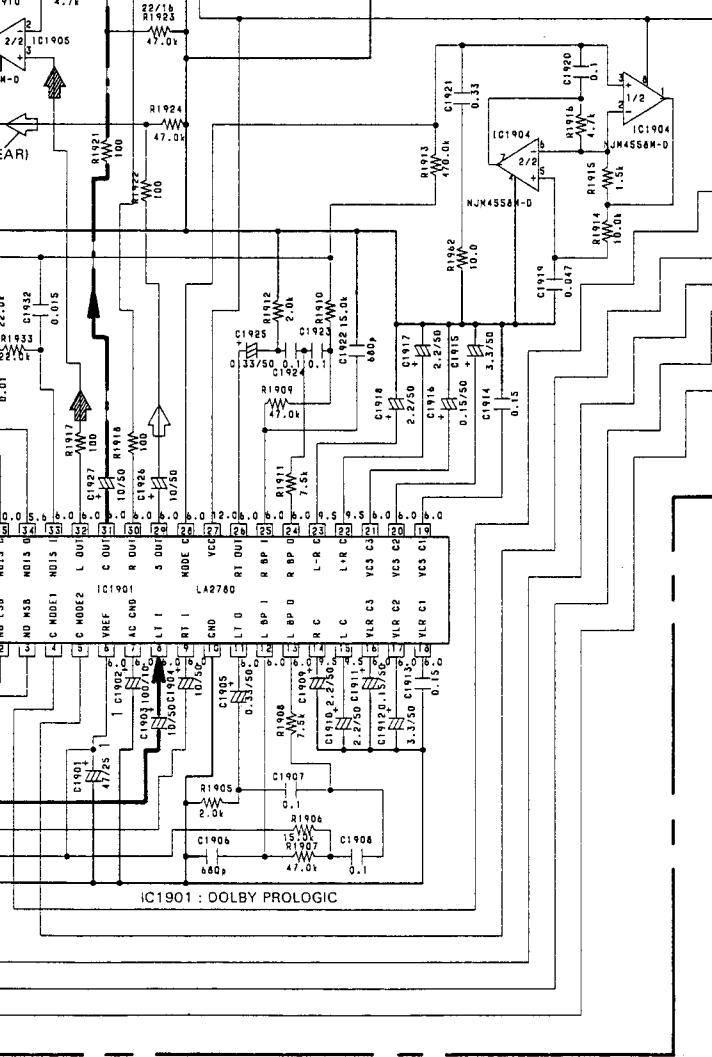
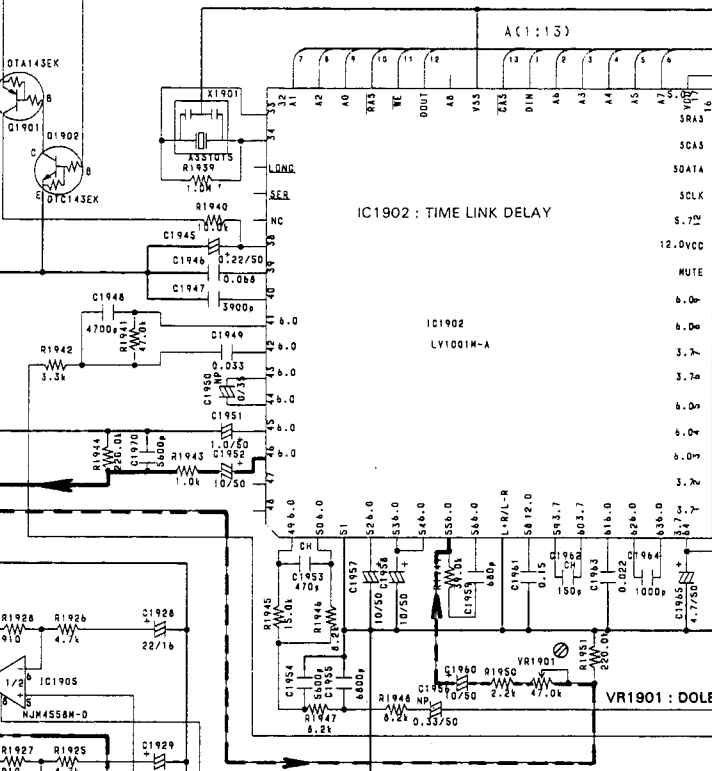
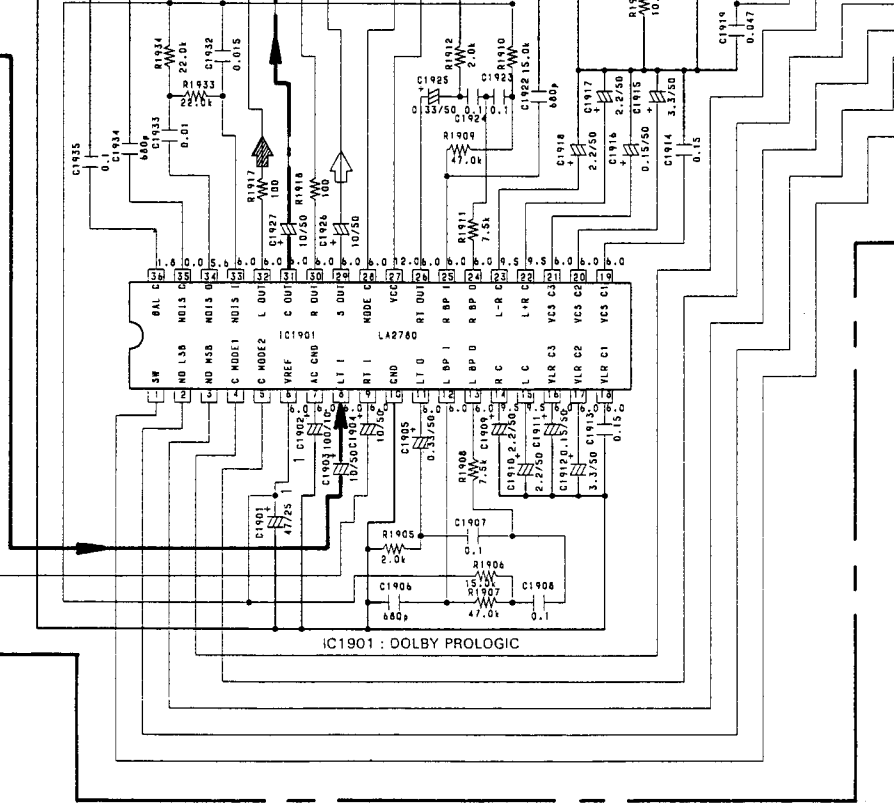
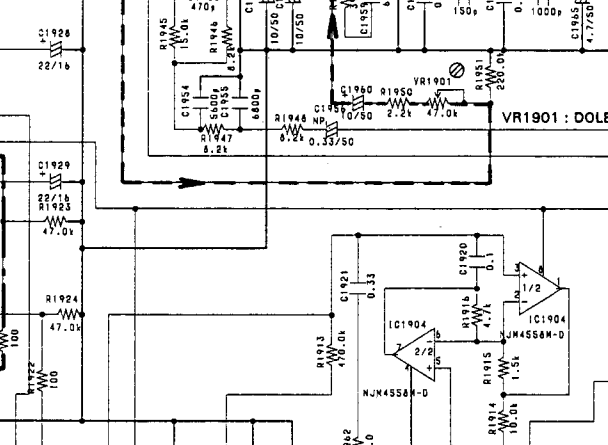
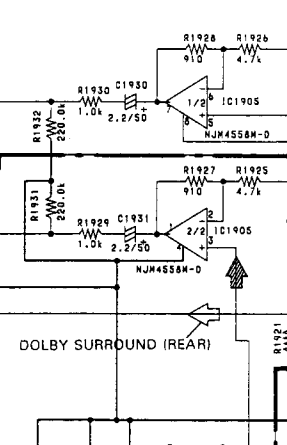
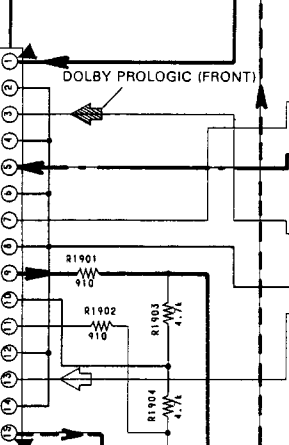
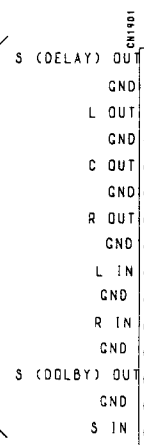
(* NOISE MODE)

To CONNECTION assembly CN53
Pin1 - Pin7 (▲ P13)

- : FRONT Lch
- - - - - : DOLBY PROLOGIC (CENTER)
- : DOLBY SURROUND (REAR)
- : DOLBY SURROUND DELAY (REAR)

DOL. PRO. MOD. assembly (AXQ1009)

To CONNECTION assembly CN52
Pin3 - Pin17 (← P13)



A

B

C

D

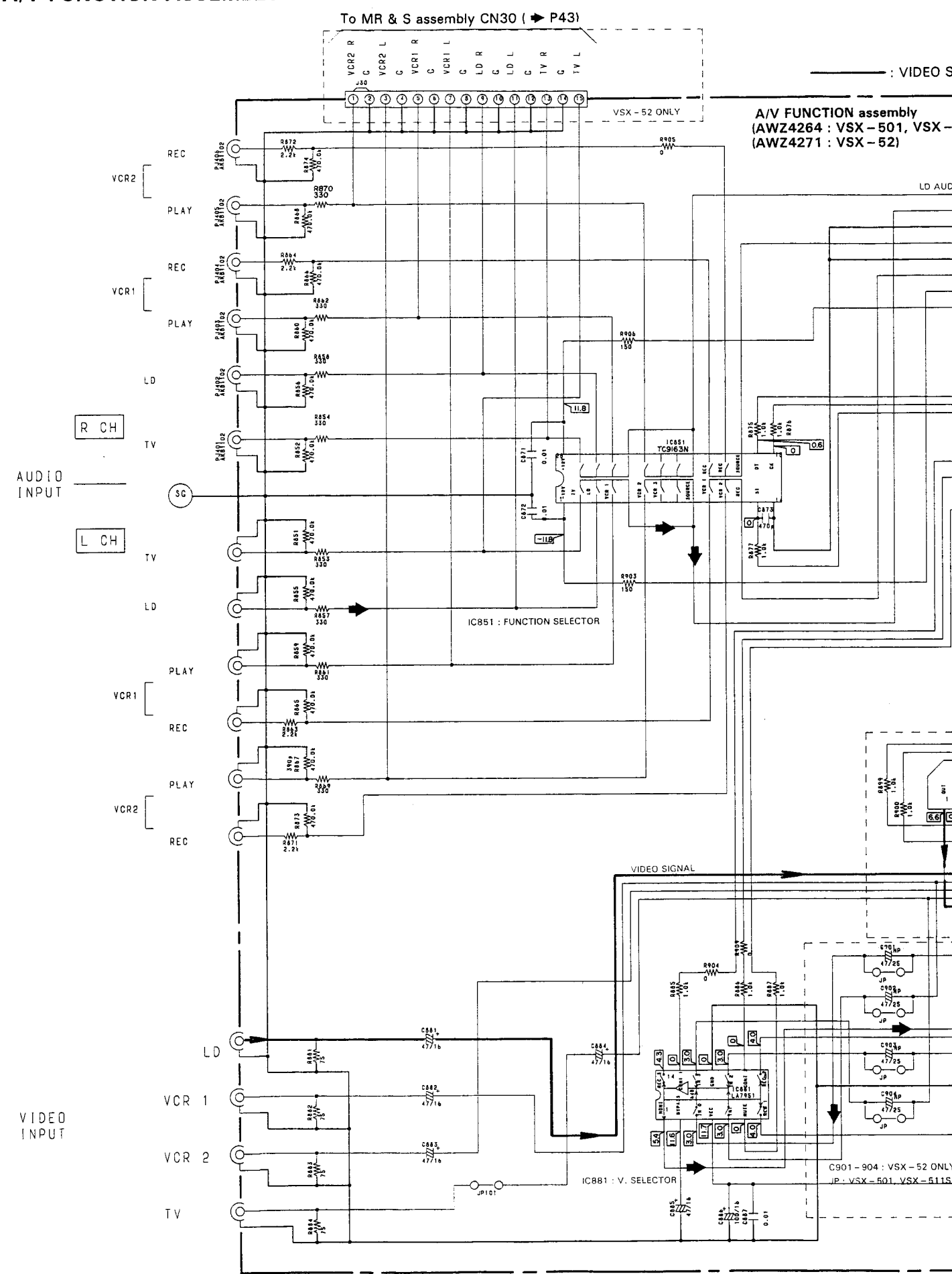
5.4 A/V FUNCTION ASSEMBLY

A

B

C

D



A/V FUNCTION assembly
 (AWZ4264 : VSX-501, VSX-511S)
 (AWZ4271 : VSX-52)

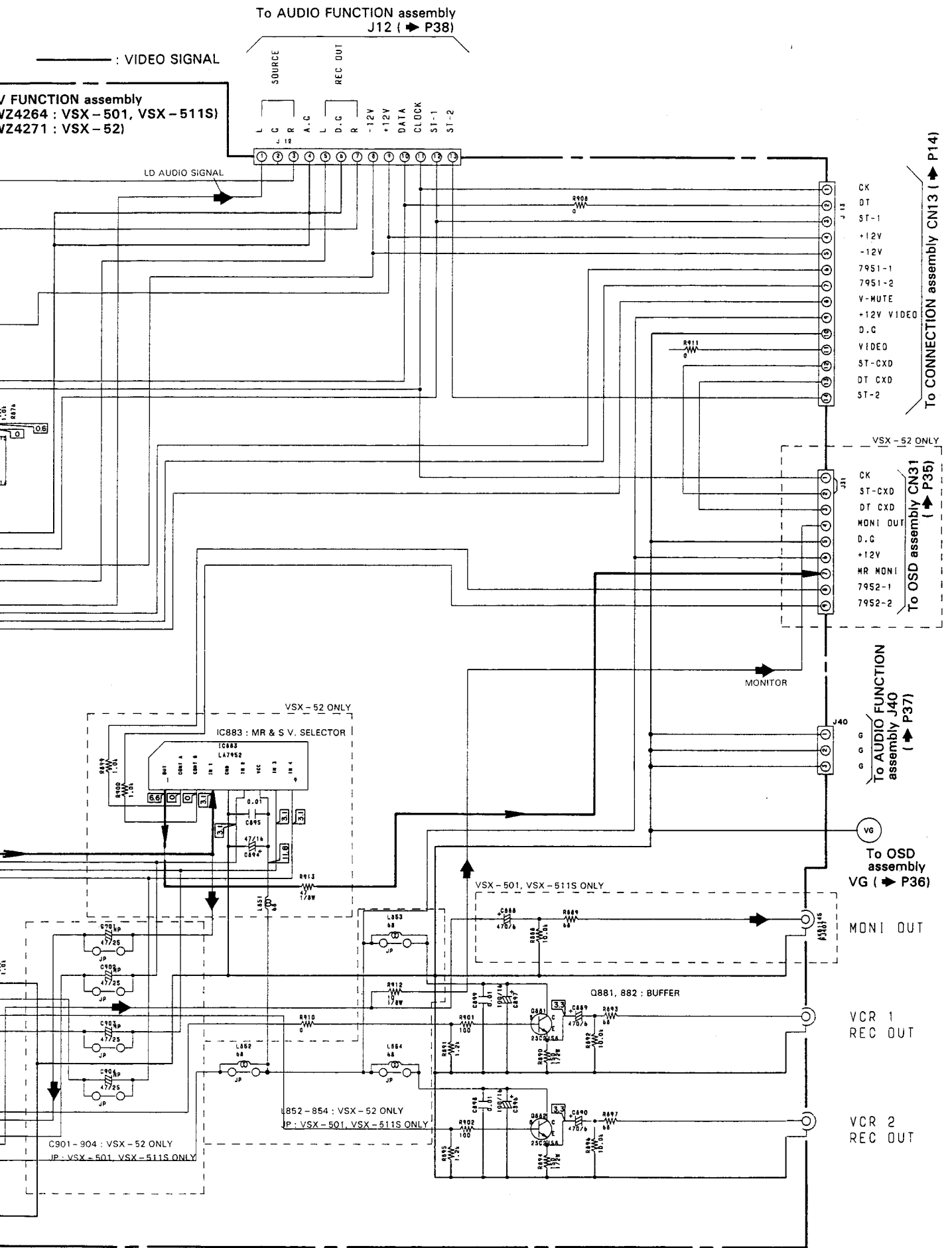
: VIDEO SIGNAL

LD AUDIO

AUDIO INPUT

VIDEO INPUT

C901-904 : VSX-52 ONLY
 JP-1 : VSX-501, VSX-511S ONLY



A

B

C

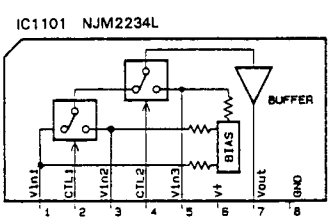
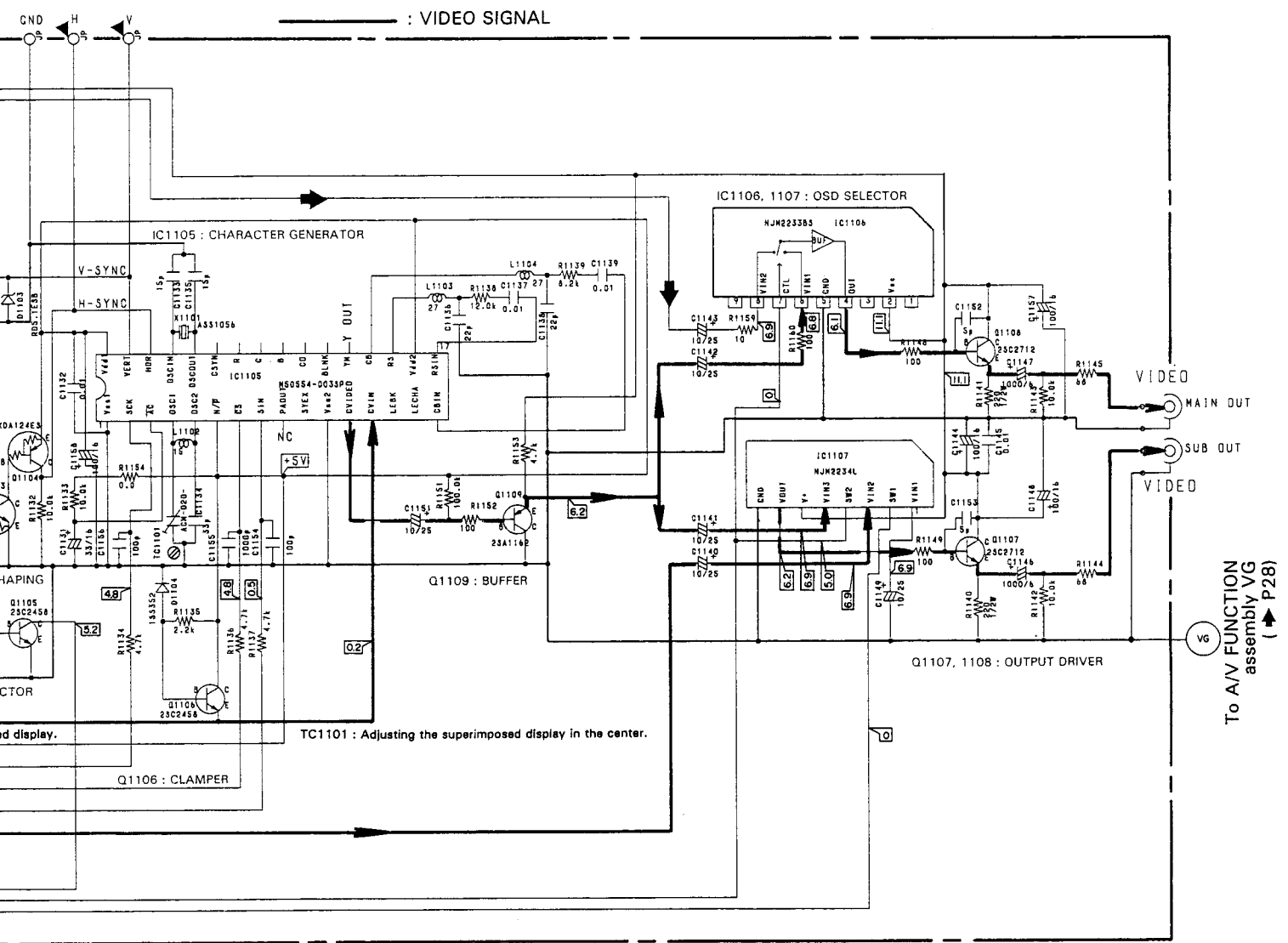
D

A

B

C

D



A

B

C

D

1

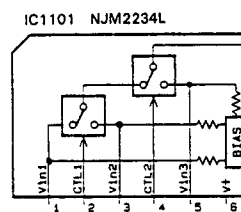
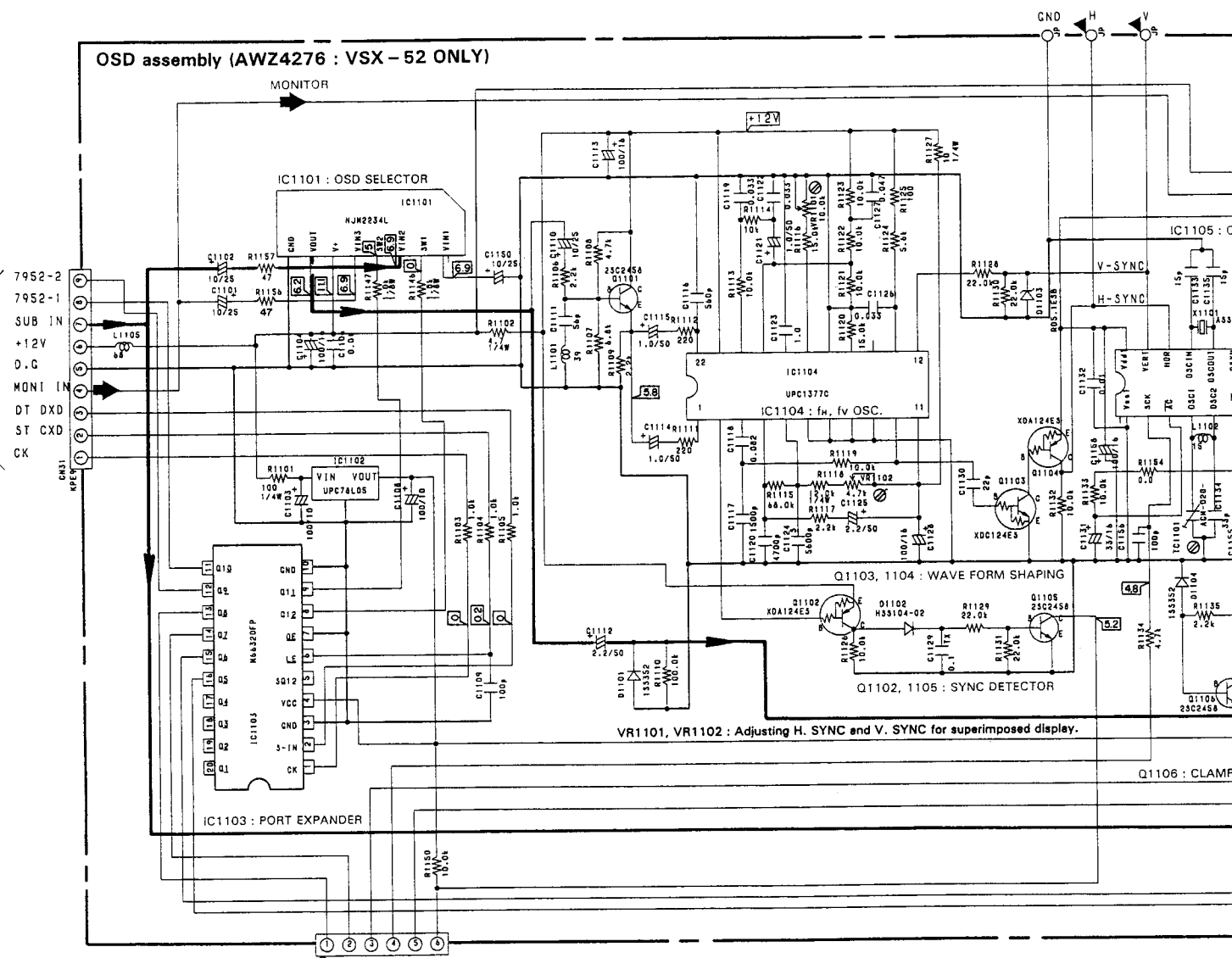
2

3

OSD assembly (AWZ4276 : VSX - 52 ONLY)

To A/V FUNCTION assembly J31 (→ P28)

To FL. U - COM assembly J35 (→ P57)



1

2

3

5.6 AUDIO FUNCTION ASSEMBLY

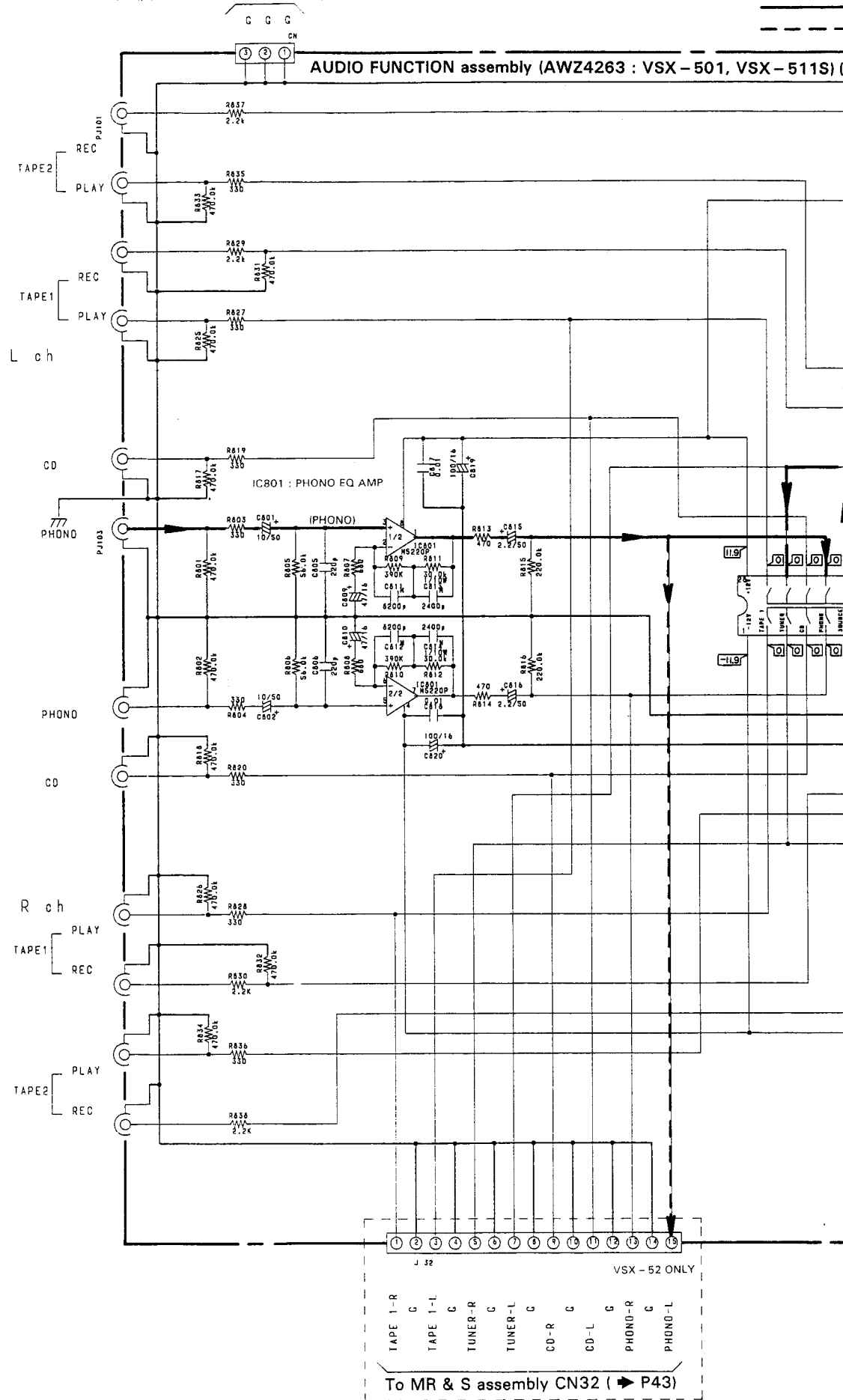
To A/V FUNCTION assembly J40 (▶ P28)

A

B

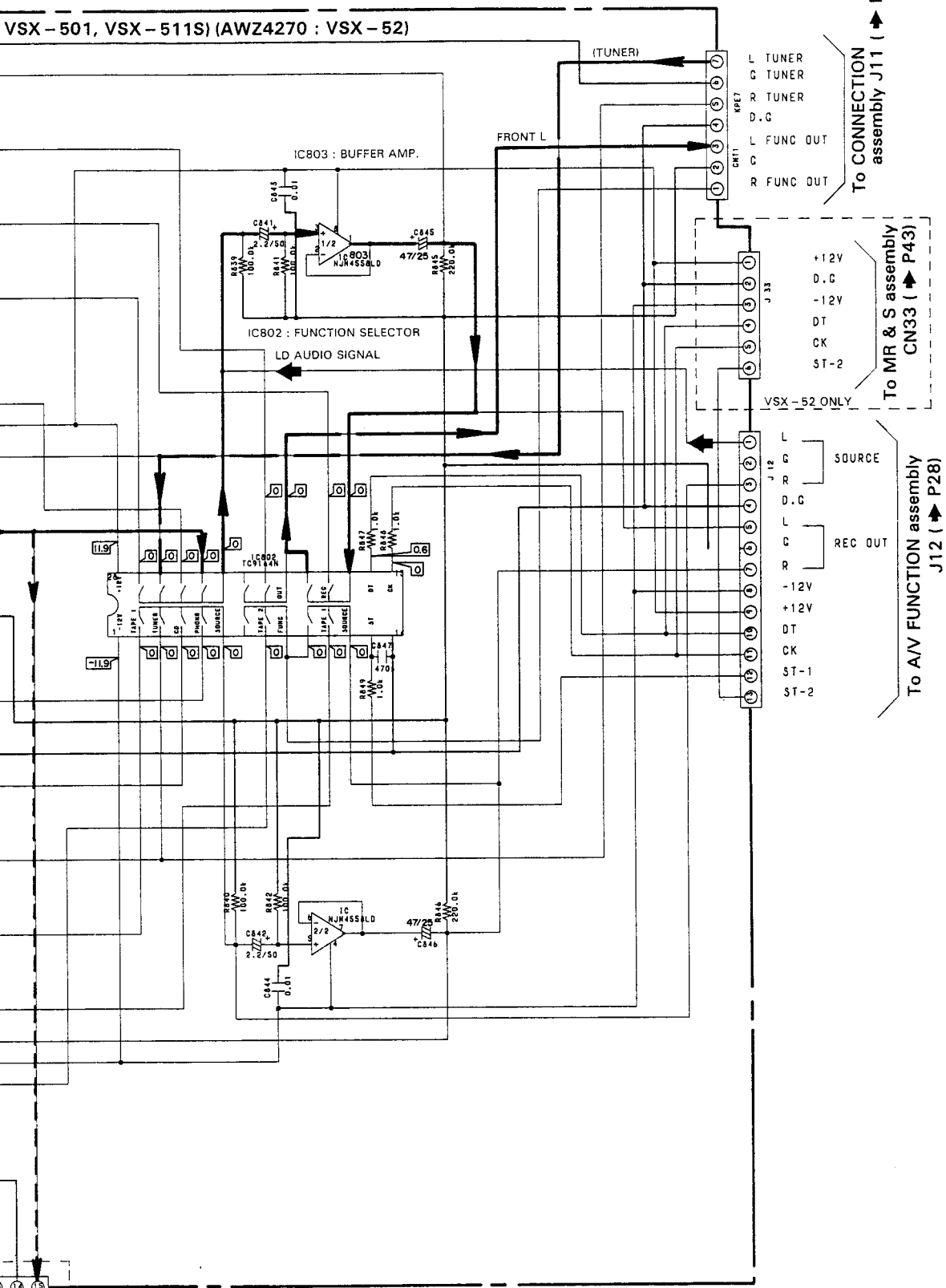
C

D



————— : AUDIO SIGNAL FRONT L
 - - - - - : AUDIO SIGNAL REAR L (VSX-52 ONLY)

VSX-501, VSX-511S) (AWZ4270 : VSX-52)



To CONNECTION assembly J11 (P13)

To MR & S assembly CN33 (P43)

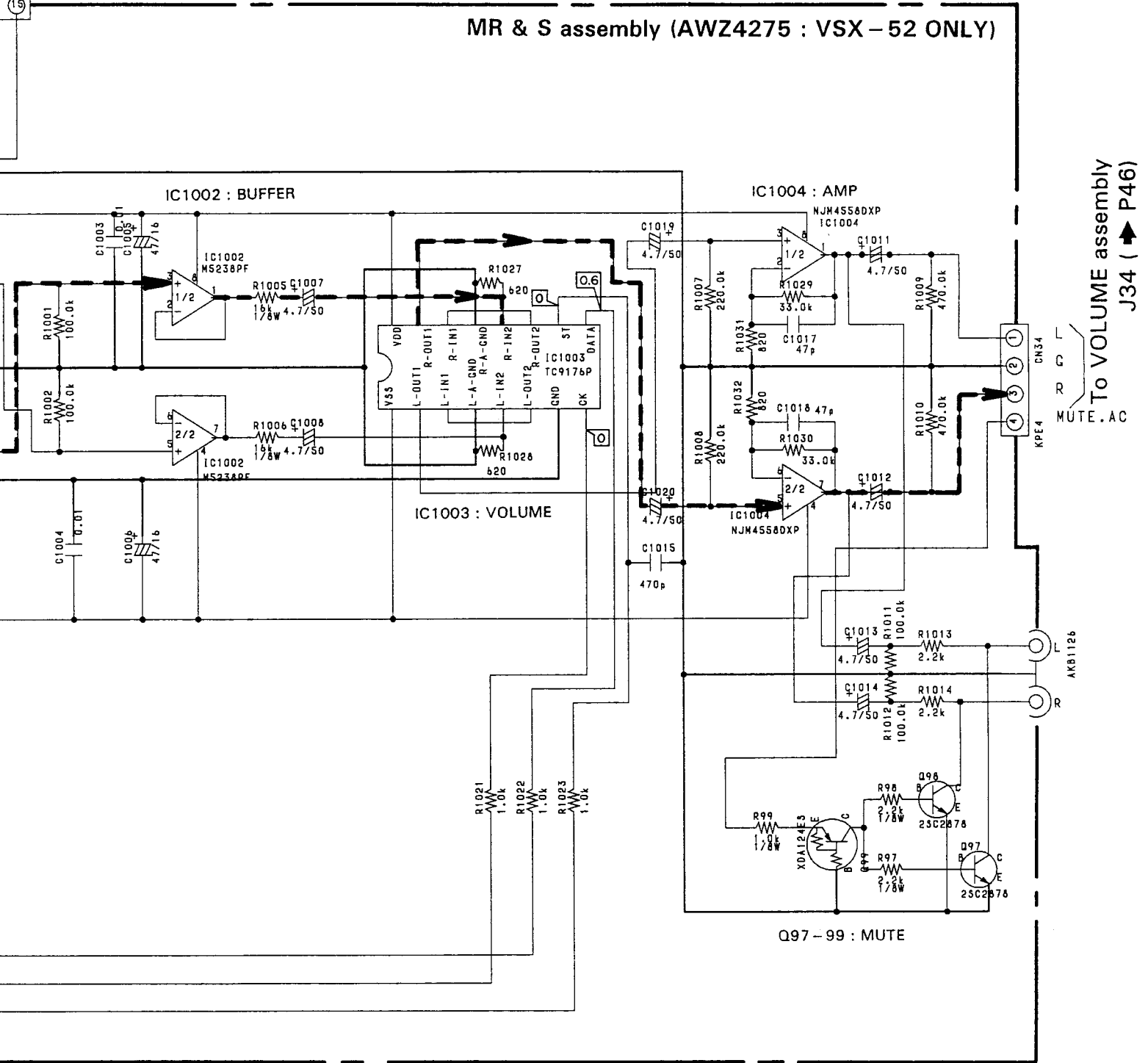
To A/V FUNCTION assembly J12 (P28)

- 52 ONLY
 PHONO-L
 P43)

P27)

: REAR L

MR & S assembly (AWZ4275 : VSX - 52 ONLY)

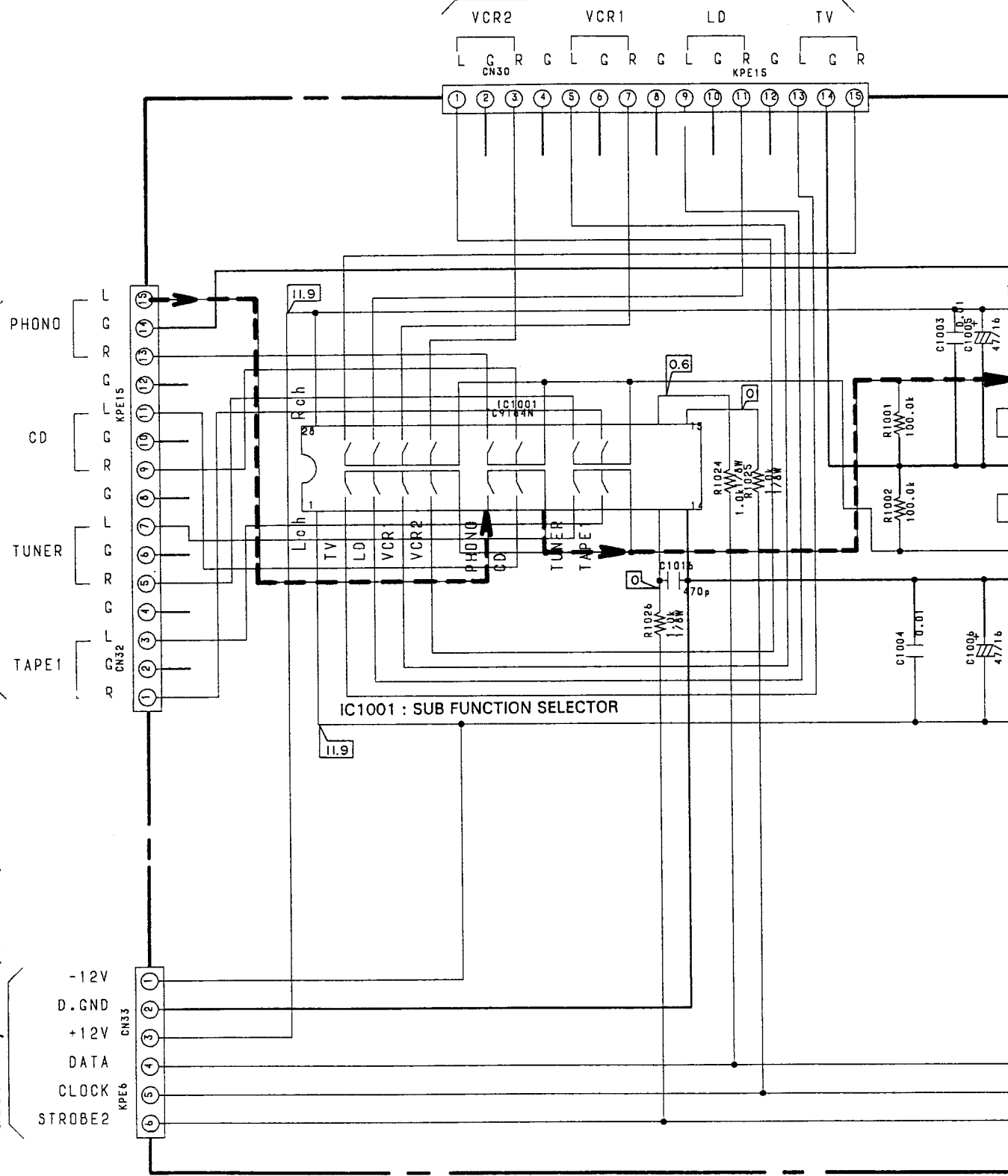


To VOLUME assembly
J34 (P46)

To A/V FUNCTION assembly J30 (→ P27)

To AUDIO FUNCTION assembly J32 (→ P37)

To AUDIO FUNCTION assembly J33 (→ P38)



5.8 VOLUME ASSEMBLY

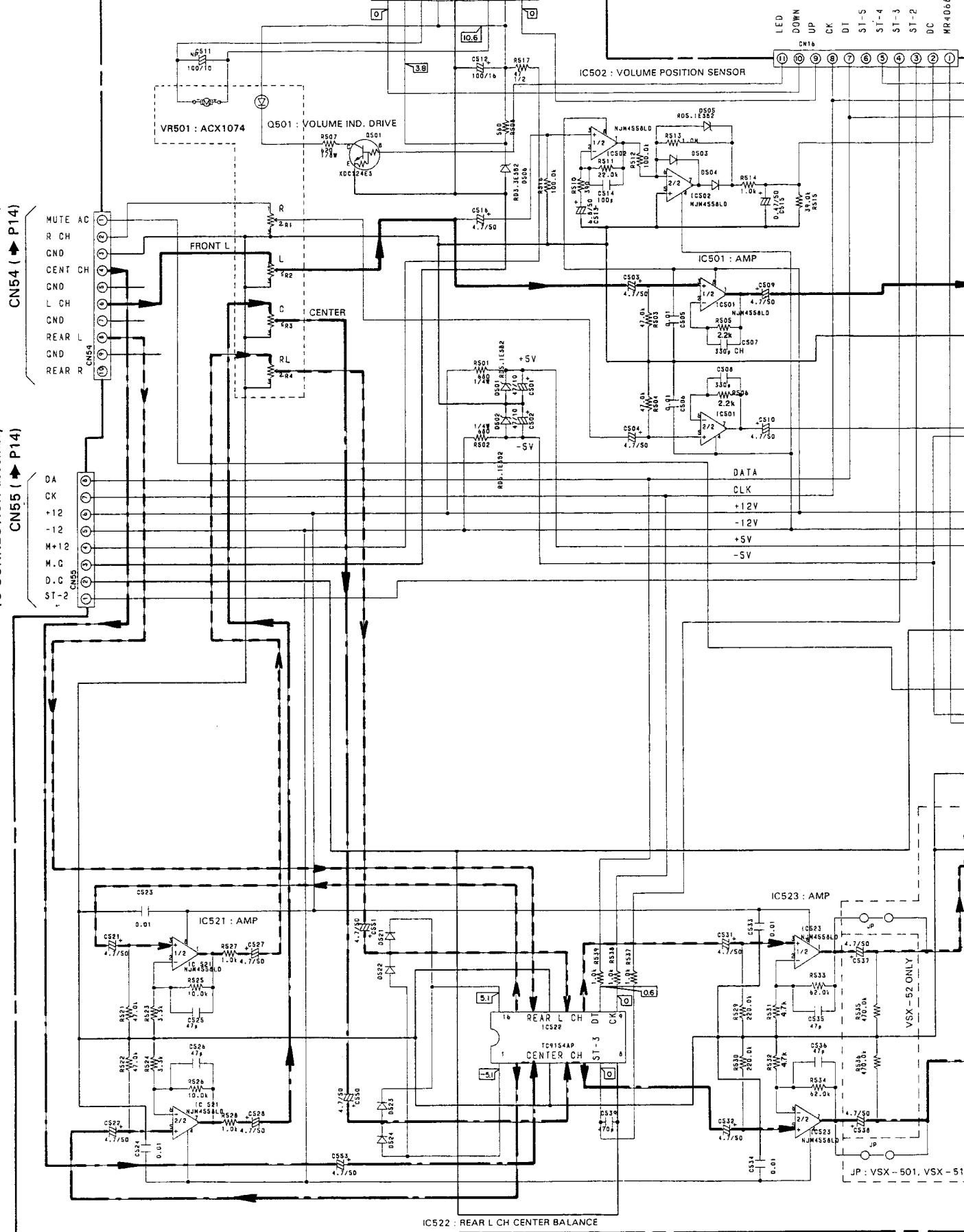
VOLUME assembly
(AWZ4269 : VSX - 501, VSX - 511S)
(AWZ4273 : VSX - 52)

IC503 : VOLUME CONTROL
TA8409S

IC502 : VOLUME POSITION SENSOR

To FL. U - COM assembly
J16 (▶ P57)

- LED
- DOWN
- UP
- CM16
- ①
- ②
- ③
- ④
- ⑤
- ⑥
- ⑦
- ⑧
- ⑨
- ⑩
- ⑪
- ⑫
- ⑬
- ⑭
- ⑮
- ⑯
- ⑰
- ⑱
- ⑲
- ⑳
- ㉑
- ㉒
- ㉓
- ㉔
- ㉕
- ㉖
- ㉗
- ㉘
- ㉙
- ㉚
- ㉛
- ㉜
- ㉝
- ㉞
- ㉟
- ㊱
- ㊲
- ㊳
- ㊴
- ㊵
- ㊶
- ㊷
- ㊸
- ㊹
- ㊺
- ㊻
- ㊼
- ㊽
- ㊾
- ㊿
- MR4066



To CONNECTION assembly
CN54 (▶ P14)

To CONNECTION assembly
CN55 (▶ P14)

C

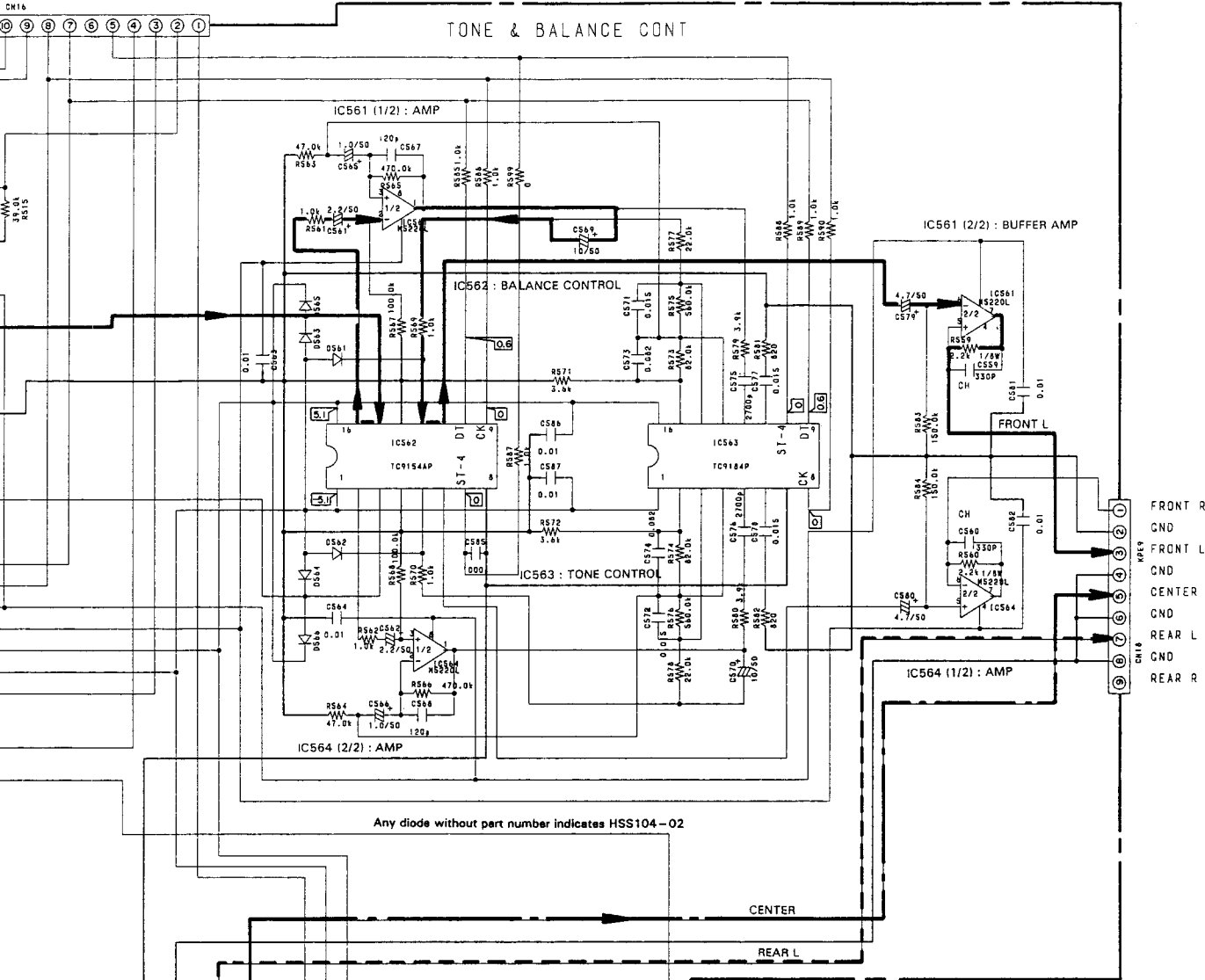
D

45

FL. U - COM assembly
J16 (P57)

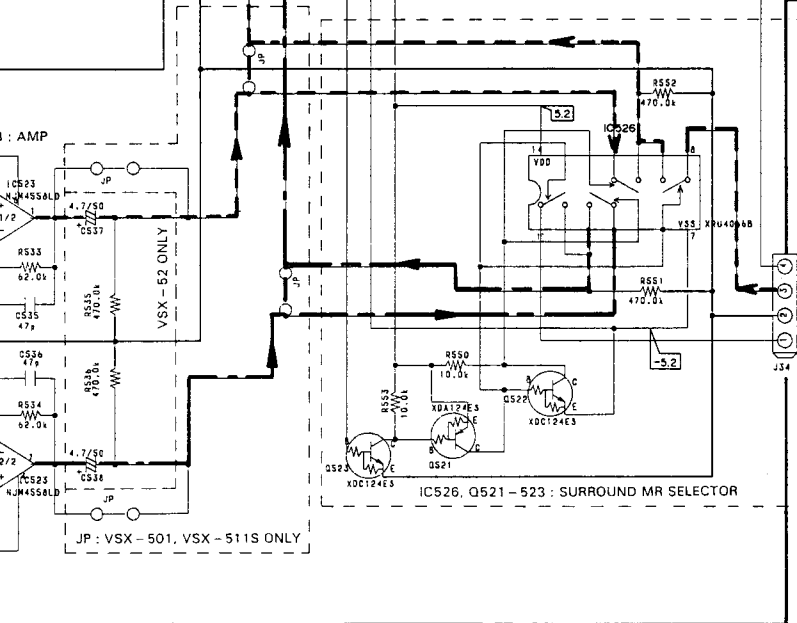
— : FRONT L
- - - : CENTER
- - - : REAR L

DOWN
UP
CK
DT
ST-5
ST-4
ST-3
ST-2
DC
MR4056

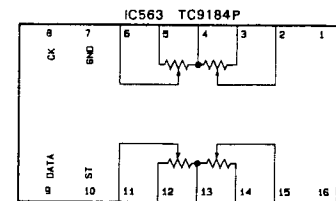
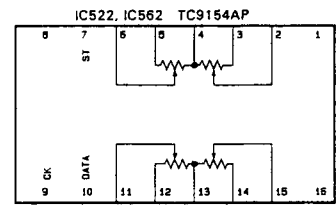


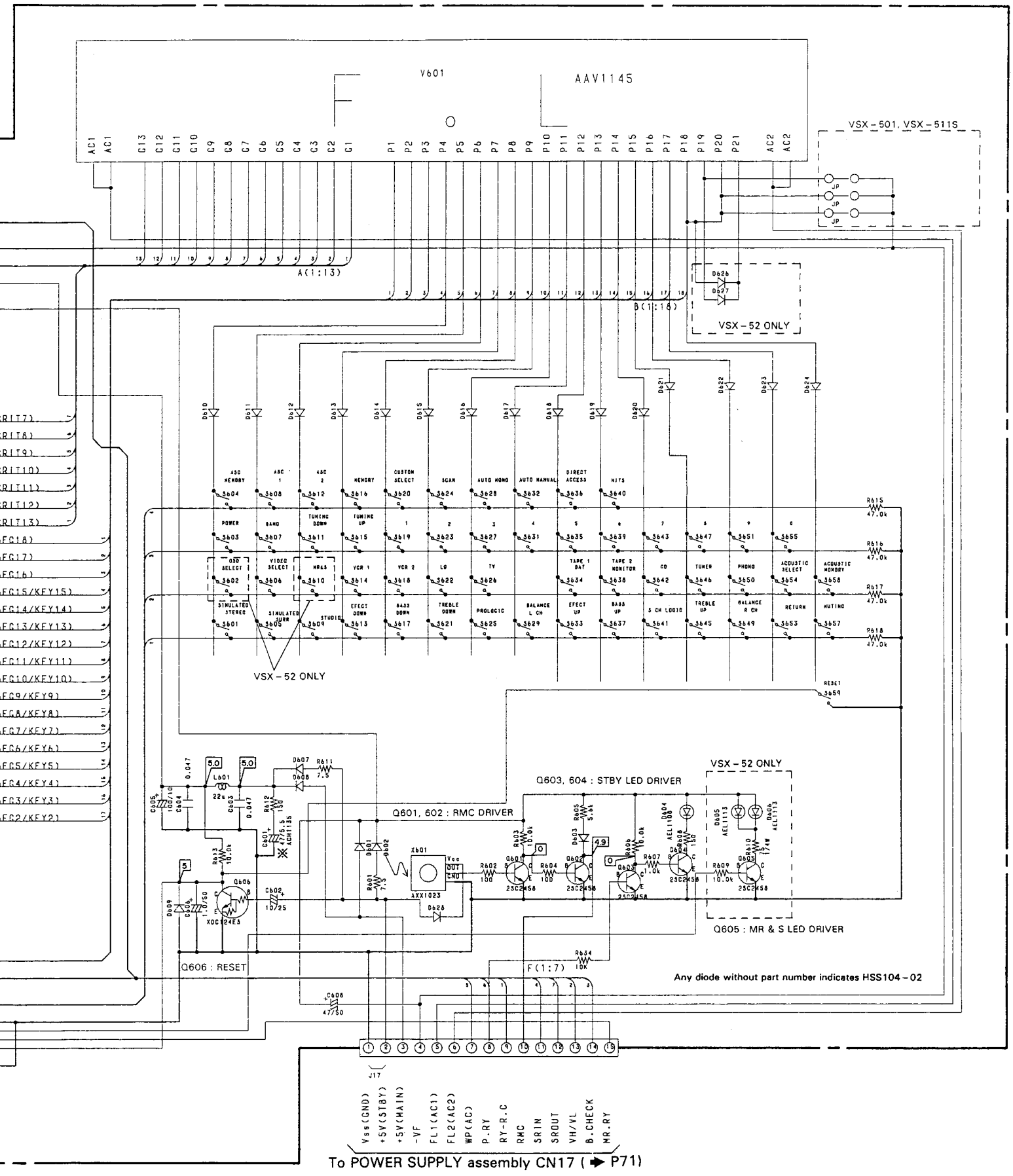
Any diode without part number indicates HSS104-02

To AMP assembly J18 (P59)



To MR & S assembly
CN34 (P44)





To POWER SUPPLY assembly CN17 (▶ P71)

FL. U-COM assembly (AWK1556 : VSX - 501, VSX - 511S)
 (AWK1544 : VSX - 52)

To CONNECTION assembly
 CN15 (▶ P13)

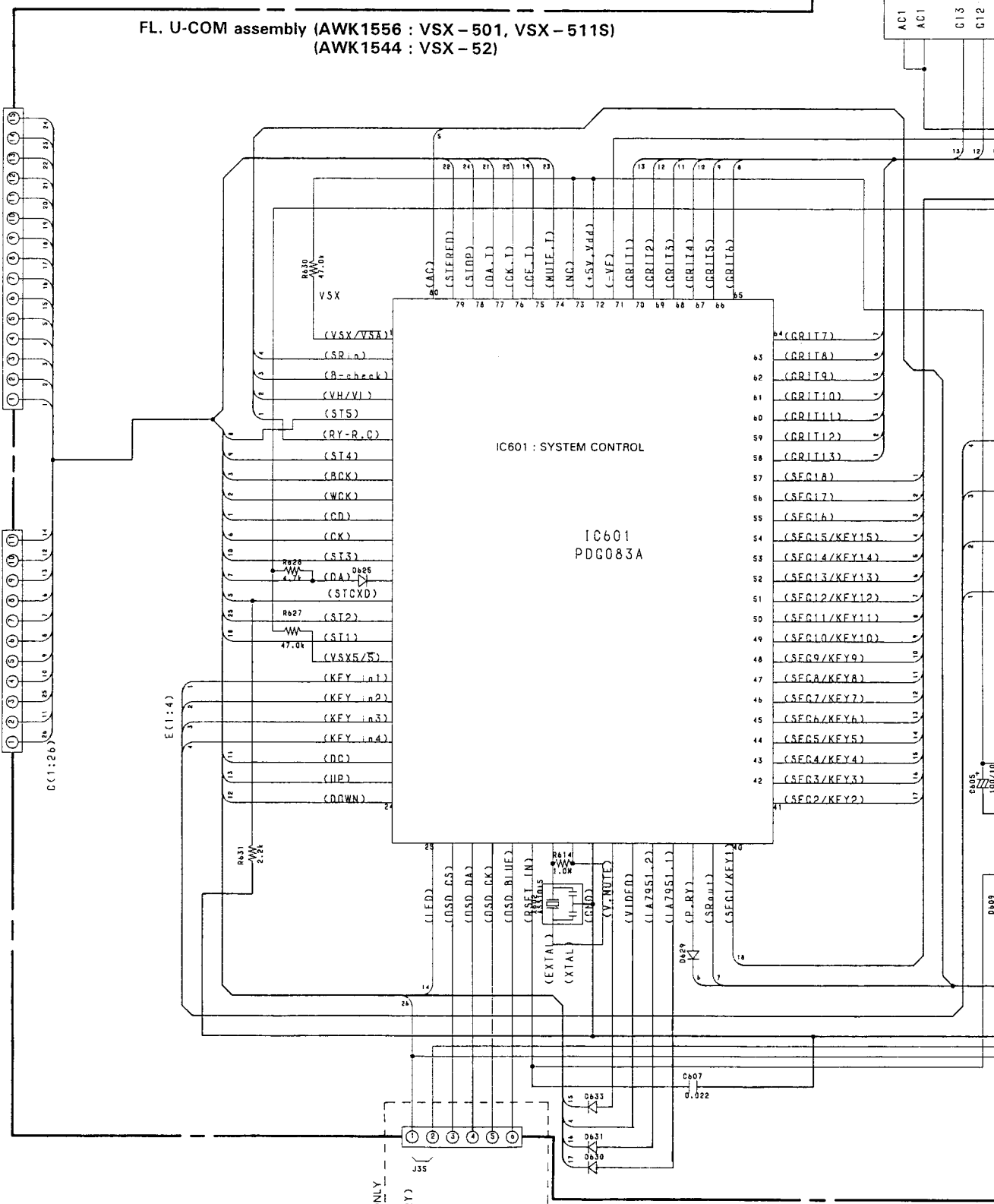
- STOP
- T. MUTE
- STEREO
- DT-T
- CK-T
- CE-T
- ST1
- 7951.1
- 7951.2
- V. MUTE
- STCXD
- VIDEO
- BCK
- WCK
- CD

To VOLUME assembly
 CN16 (▶ P46)

- LED
- DOWN
- UP
- CK
- DA
- ST5
- ST4
- ST3
- ST-2
- DC
- MR4066

VSX - 52 ONLY
 MR(4066,RY)
 MR.LED
 OSD-CS
 OSD-CK
 OSD-DA
 BLUE

To OSD assembly
 CN35 (▶ P35)



5.10 AMP ASSEMBLY

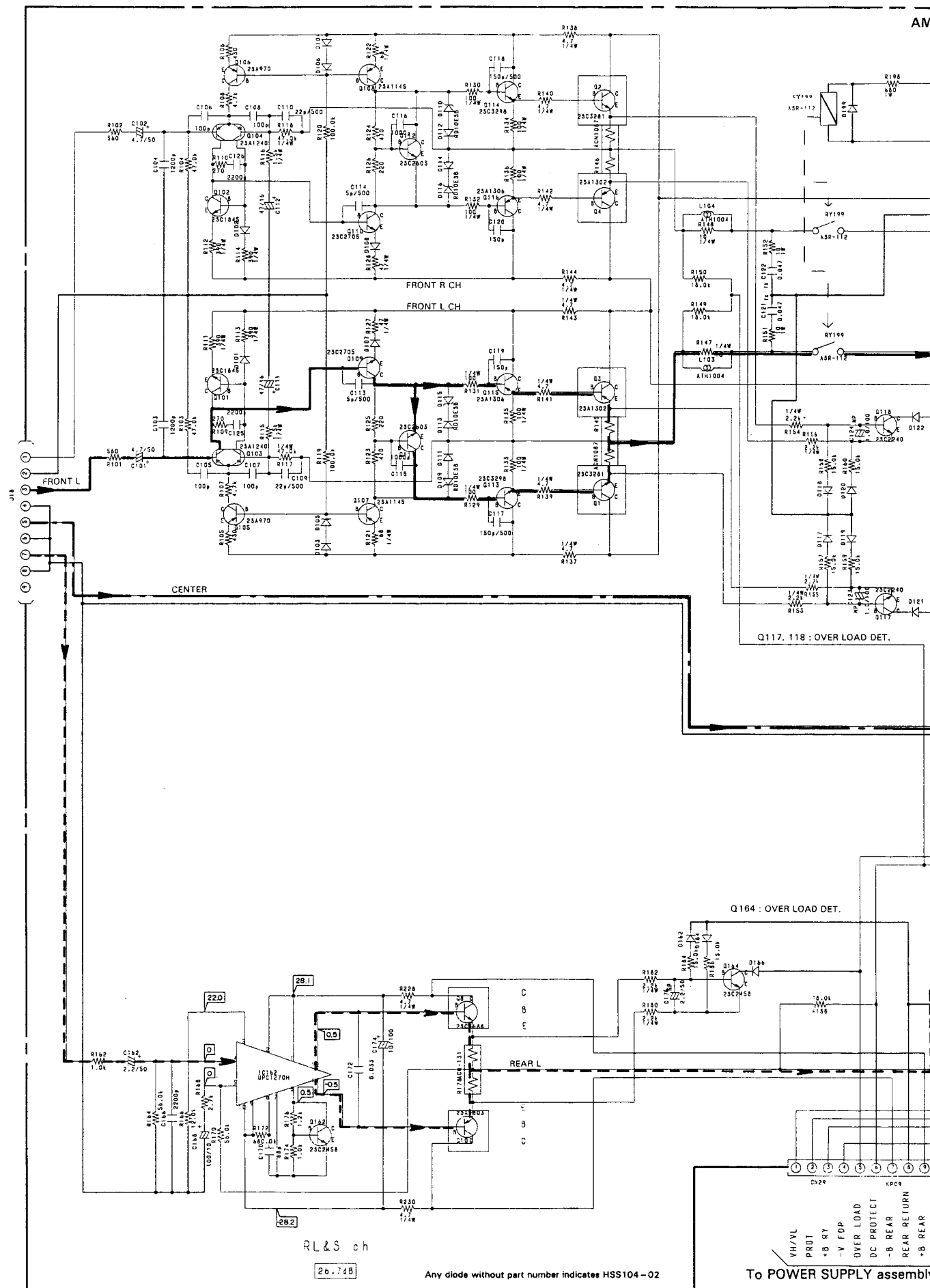
A

B

C

D

To VOLUME assembly CN18 (P46)



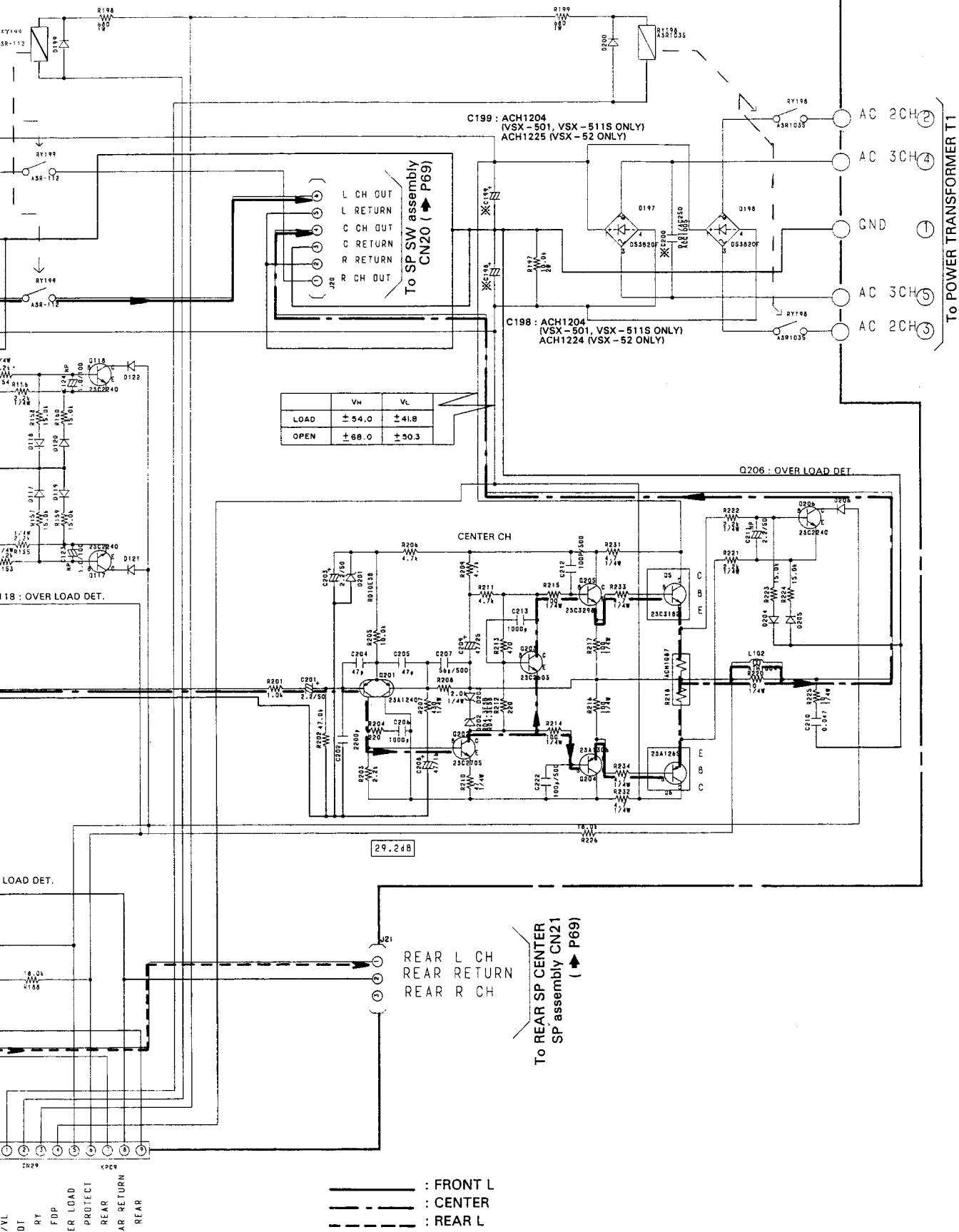
RLS ch

26.748

Any diode without part number indicates HSS104-02

To POWER SUPPLY assembly

AMP assembly (AWZ4254 : VSX - 501, VSX - 511S)
(AWZ4258 : VSX - 52)



A

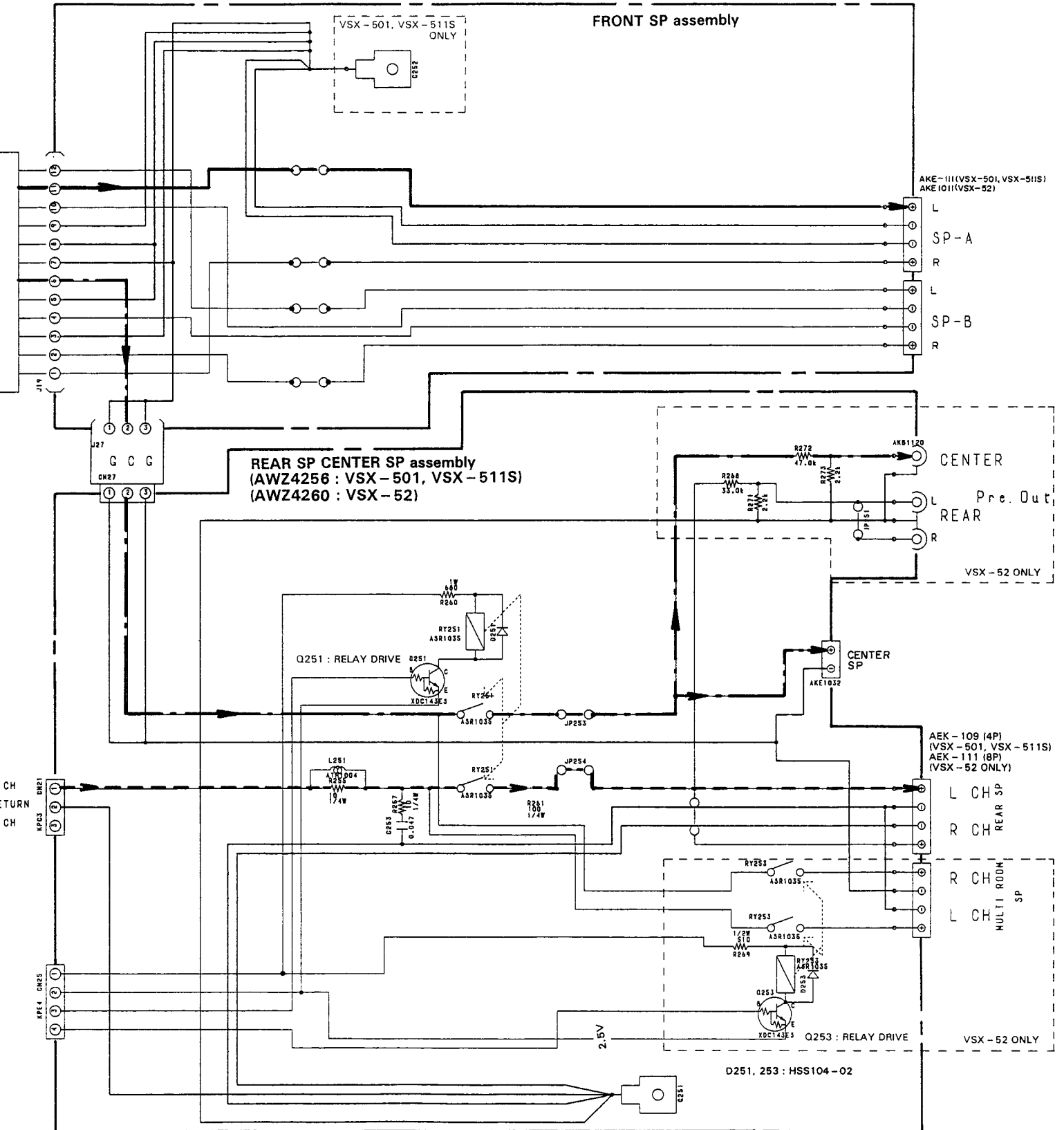
B

C

D

POWER SUPPLY assembly J29 (P72)

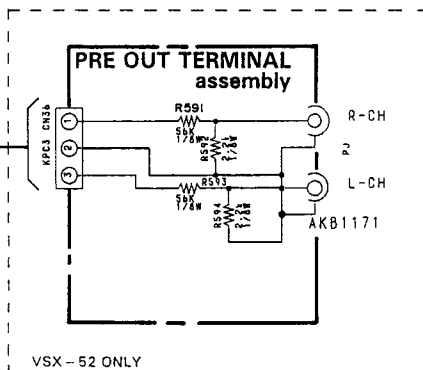
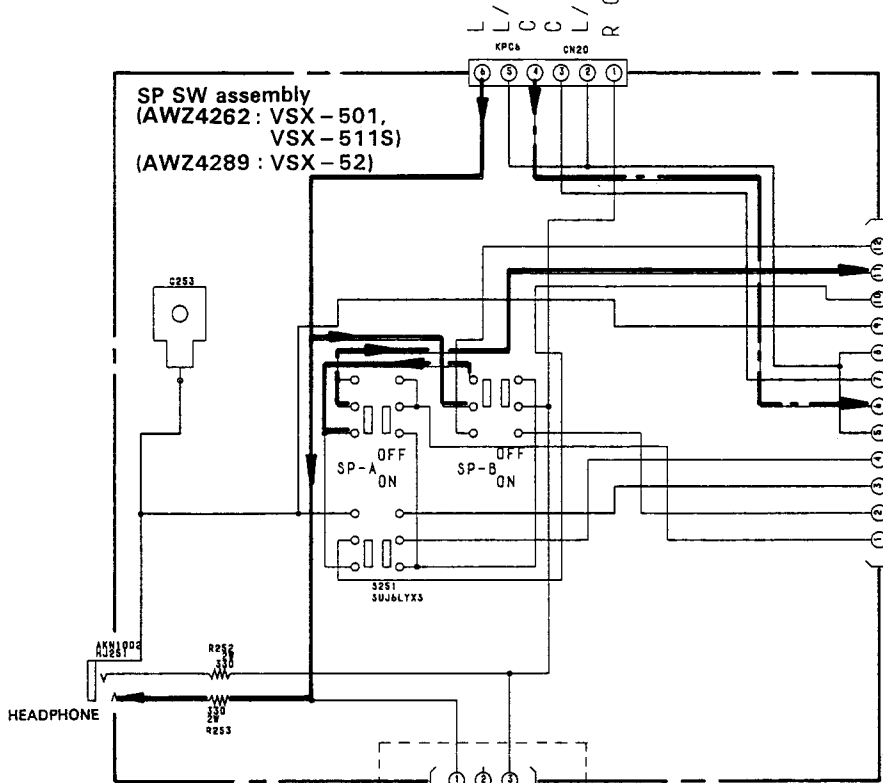
ONT L
TER
R L



To AMP assembly J20 (▶ P60)

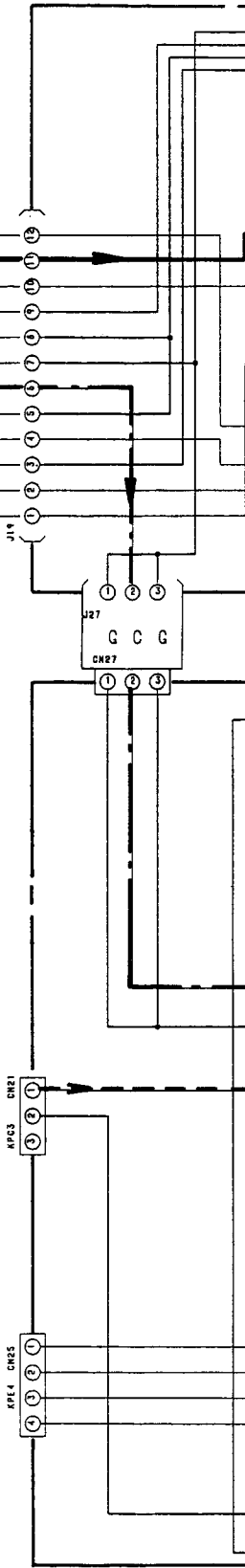
_____ : FRONT L
 - - - - - : CENTER
 - - - - - : REAR L

SP SW assembly
 (AWZ4262 : VSX - 501,
 VSX - 511S)
 (AWZ4289 : VSX - 52)

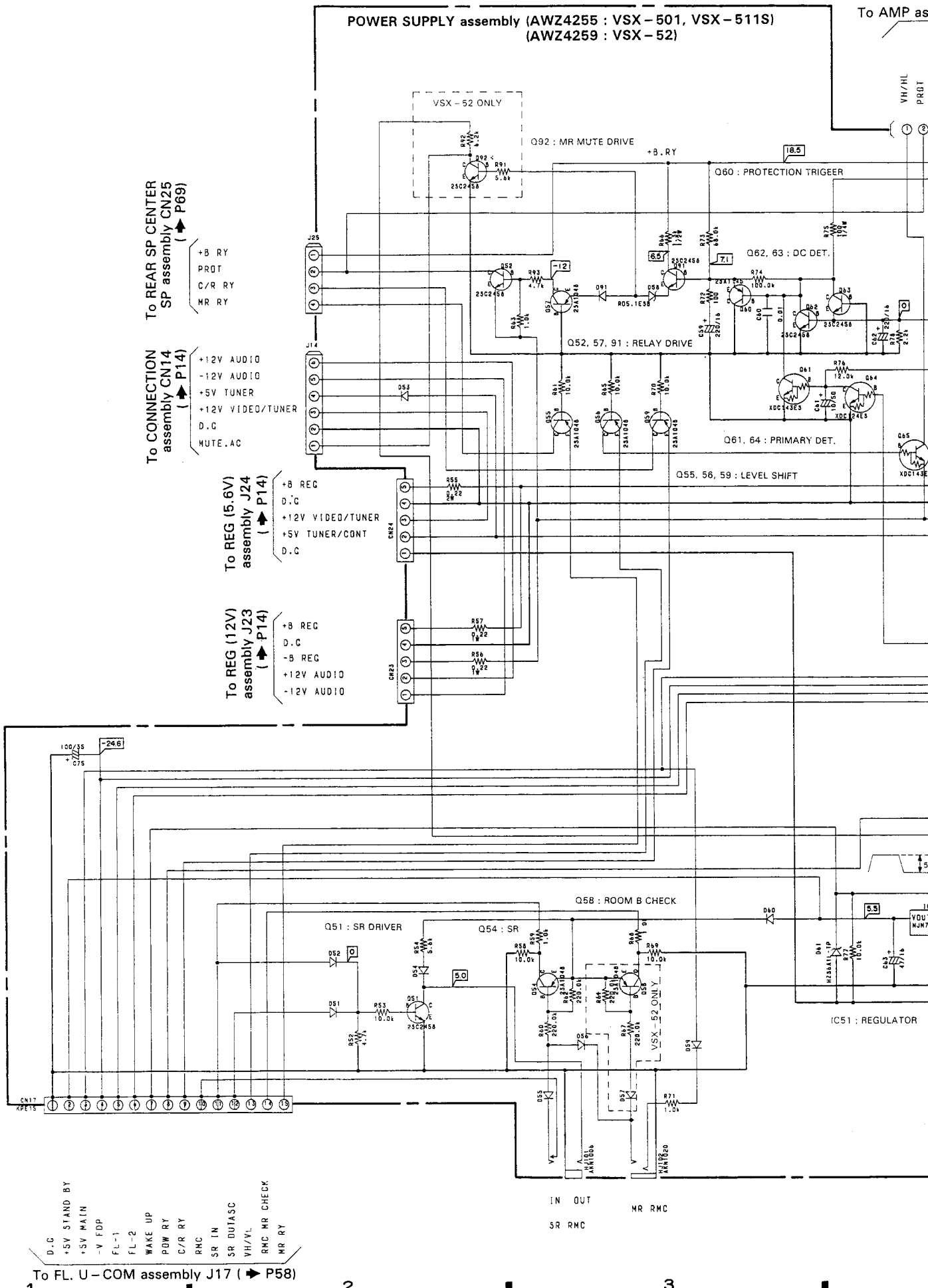


To AMP assembly J21 (▶ P60)
 REAR L CH
 REAR RETURN
 REAR R CH

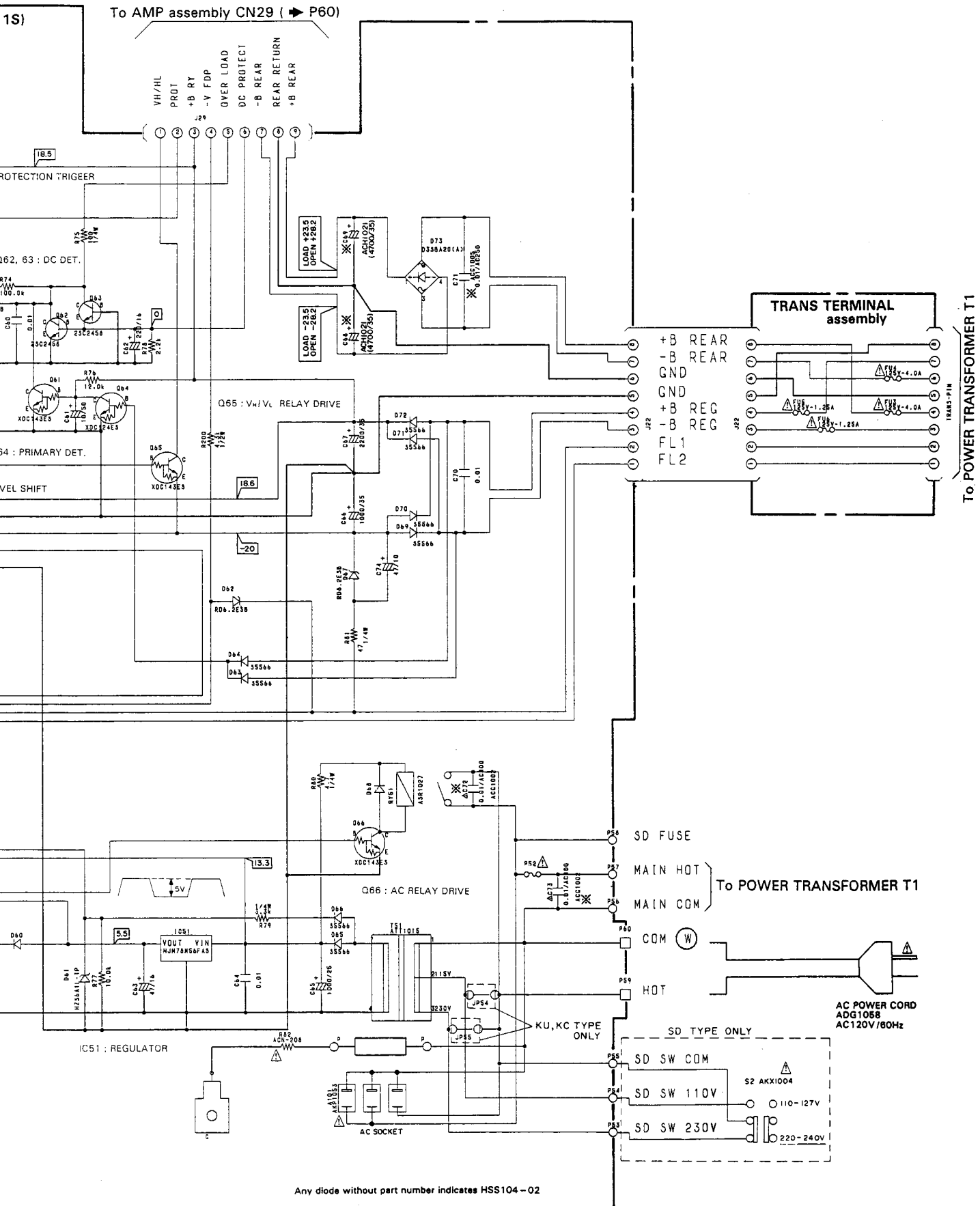
To POWER SUPPLY assembly J25 (▶ P71)
 +B RY
 PROT
 C/R RY
 MR RY



5.12 POWER SUPPLY ASSEMBLY AND TRANS TERMINAL ASSEMBLY

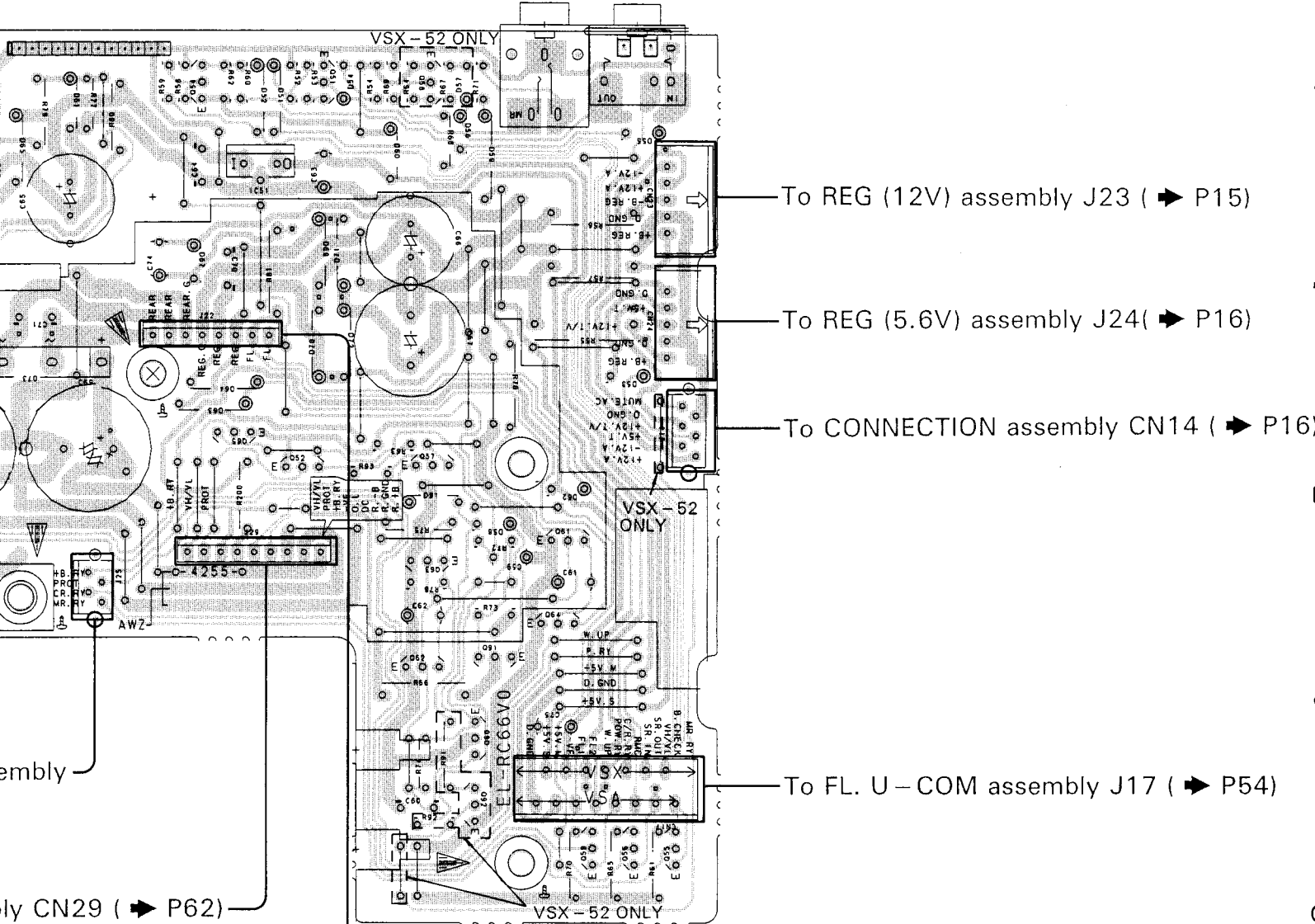


To FL. U - COM assembly J17 (P58)



Any diode without part number indicates HSS104-02

Q54 IC51 Q51 Q58
 Q65 Q52 Q57 Q63 Q64 Q61
 Q62 Q60 Q92 Q91 Q59 Q56 Q55



To REG (12V) assembly J23 (➔ P15)

To REG (5.6V) assembly J24(➔ P16)

To CONNECTION assembly CN14 (➔ P16)

To FL. U-COM assembly J17 (➔ P54)

ly CN29 (➔ P62)

NOTE

1. This P.C.B connection diagram is viewed from the parts mounted side.
2. The parts which have been mounted on the board can be replaced with those shown with the corresponding wiring symbols listed in the following Table.
3. The capacitor terminal marked with ⊙(double circles) shows negative terminal.
4. The diode terminal marked with ⊙(double circles) shows cathode side.
5. The transistor terminal to which E is affixed shows the emitter.

P.C.B. pattern diagram indication	Corresponding part symbol	Part Name
		Transistor
		Radiator type transistor
		Diode
		Resistor
		Capacitor (Polarized)
		Capacitor (Non-polarized)

Others

P.C.B. pattern diagram indication	Part Name
IC	IC
S	Switch
RY	Relay
L	Coil
F	Filter
VR	Variable resistor or Semi-fixed resistor

(FOR CANADIAN MODEL ONLY)
 Fuse symbols (Fast Operating Fuse) and/or (Slow Operating Fuse) on P.C.B. indicate that replacement parts must be of identical designation.

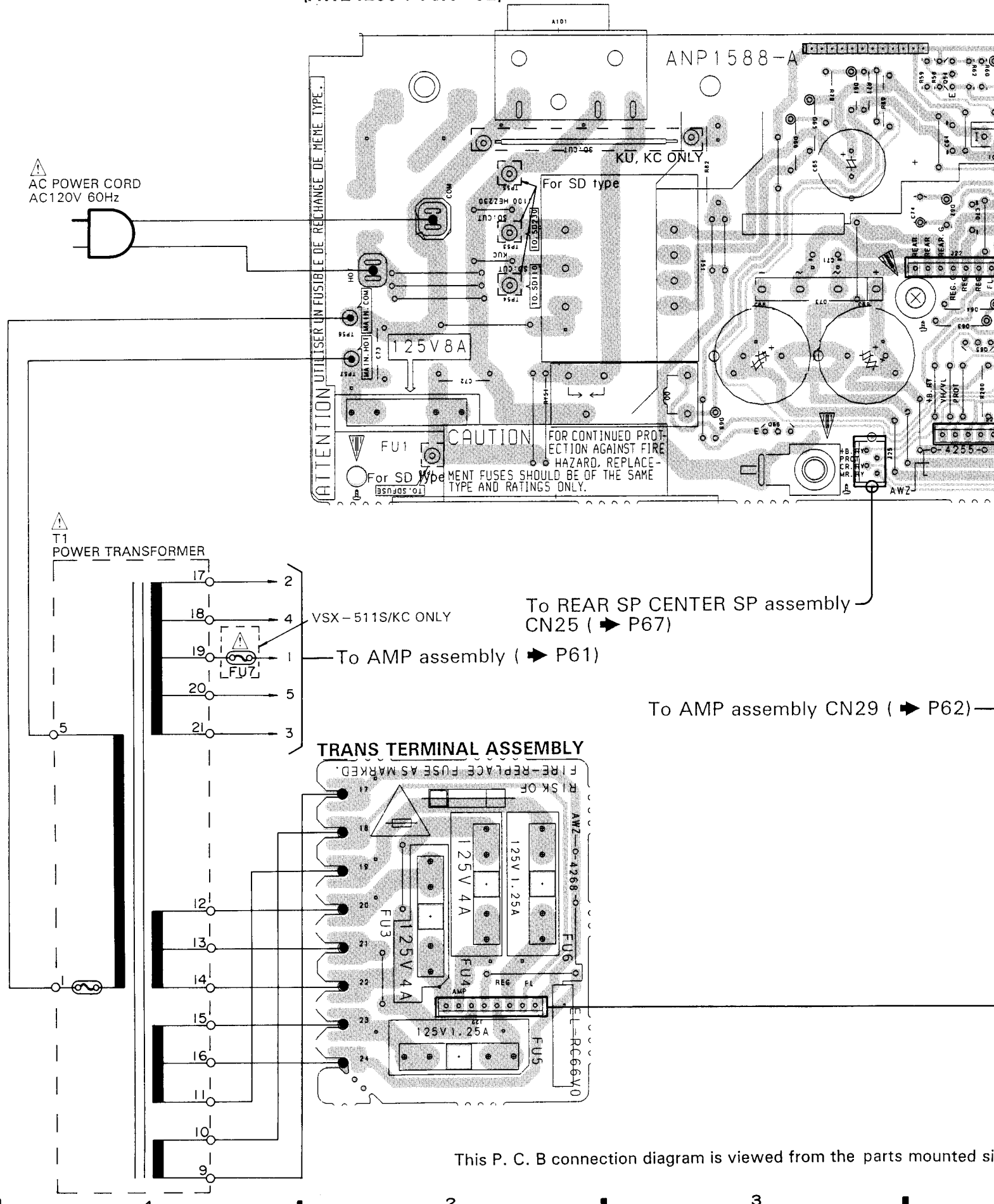
(POUR MODÈLE CANADIEN SEULEMENT)
 Sur P.C.I., les symboles de fusible (Fusible de type rapide) et/ou (Fusible de type lent) indiquent que les pièces de remplacement doivent avoir la même désignation.

om the parts mounted side.

POWER SUPPLY ASSEMBLY
 (AWZ4255 : VSX - 501, VSX - 511S)
 (AWZ4259 : VSX - 52)

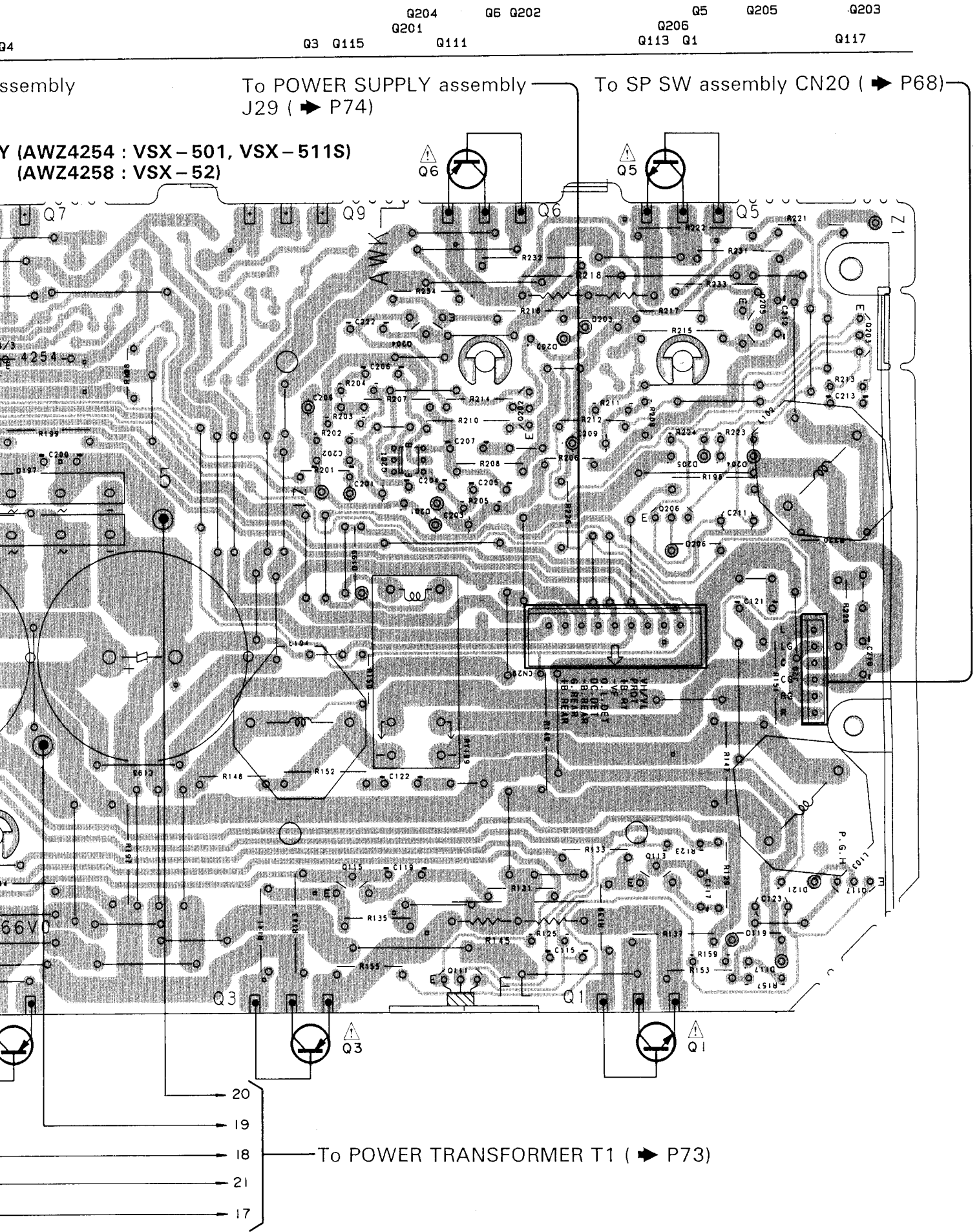
Q66

Q54 IC5
Q65



This P. C. B connection diagram is viewed from the parts mounted side

ved from the parts mounted side.



assembly

To POWER SUPPLY assembly J29 (P74)

To SP SW assembly CN20 (P68)

Y (AWZ4254 : VSX-501, VSX-511S)
(AWZ4258 : VSX-52)

To POWER TRANSFORMER T1 (P73)

This P. C. B connection diagram is viewed from the parts mou

IC162	Q164	Q162	Q10	QB				
Q106	Q104	Q102	Q103	Q101	Q109	Q105		
Q118	Q108	Q114	Q110	Q2	Q116	Q112	Q107	Q4

To VOLUME assembly CN18 (➔ P48)

To REAR SP CENTER SP assembly CN21 (➔ P67)

AMP ASSEMBLY (AWZ4254 : VSX -
(AWZ4258 : VSX -

