

Pioneer

Service Manual

ORDER NO.
RRV4316

AV Receiver

VSX-827-K

VSX-527-K

THIS MANUAL IS APPLICABLE TO THE FOLLOWING MODEL(S) AND TYPE(S).

Model	Type	Power Requirement	Remarks
VSX-827-K	SYXE8	AC 220 V to 230 V	
VSX-527-K	SYXE8	AC 220 V to 230 V	

This service manual should be used together with the following manual(s).

Model No.	Order No.	Remarks
VSX-1022-K/CUXESM	RRV4306	VSX-822-K/CUXESM

For SPECIFICATIONS and PANEL FACILITIES, refer to the operating instructions.

1. CONTRAST OF MISCELLANEOUS PARTS

NOTES: ● Parts marked by "NSP" are generally unavailable because they are not in our Master Spare Parts List.

● The Δ mark found on some component parts indicates the importance of the safety factor of the part.

Therefore, when replacing, be sure to use parts of identical designation.

● Screws adjacent to ∇ mark on product are used for disassembly.

● For the applying amount of lubricants or glue, follow the instructions in this manual.

(In the case of no amount instructions, apply as you think it appropriate.)

● Nos. indicate the pages and Nos. in the service manual for the base model.

● When ordering resistors, first convert resistance values into code form as shown in the following examples.

Ex.1 When there are 2 effective digits (any digit apart from 0), such as 560 ohm and 47k ohm (tolerance is shown by J=5%, and K=10%).

560 Ω \rightarrow 56 x 10¹ \rightarrow 561 RD1/4PU5 6 1 J
 47k Ω \rightarrow 47 x 10³ \rightarrow 473 RD1/4PU4 7 3 J
 0.5 Ω \rightarrow R50 RN2HR 5 0 K
 1 Ω \rightarrow 1R0 RS1P 1 R 0 K

Ex.2 When there are 3 effective digits (such as in high precision metal film resistors).

5.62k Ω \rightarrow 562 x 10¹ \rightarrow 5621 RN1/4PC 5 6 2 1 F

CONTRAST TABLE

VSX-827-K/SYXE8

VSX-1022-K/CUXESM and VSX-827-K/SYXE8 are constructed the same except for the following:

Mark	No.	Symbol and Description	VSX-1022-K/CUXESM	VSX-827-K/SYXE8	Remarks
PCB ASSEMBLIES					
NSP	P76-1	1..PCB TTL ASSY MAIN 2..MAIN Assy	7025HK1108010-IL 7028071611030-IL	7025HK1108030-IL 7028071611040-IL	
NSP	P76-8	1..PCB TTL ASSY FRONT 2..FRONT Assy	7025HK1108011-IL 7028071621030-IL	7025HK1108031-IL 7028071621040-IL	
NSP	P76-14 P76-15	1..PCB TTL ASSY VIDEO 2..VIDEO Assy 2..STBY Assy	7025HK1108012-IL 7028071671030-IL 7028071672030-IL	7025HK1108032-IL 7028071671040-IL 7028071672040-IL	
NSP	P76-18	1..PCB TTL ASSY AUDIO 2..AUDIO Assy	7025HK1108013-IL 7028071641030-IL	7025HK1108033-IL 7028071641040-IL	
NSP		1..PCB TTL ASSY DMAIN	7025HK1108014-IL	7025HK1108034-IL	
NSP	P76-20	1..PCB TTL ASSY CPU 2..CPU Assy	7025HK1108015-IL 7028071681030-IL	7025HK1108035-IL 7028071681040-IL	
NSP	P76-21	1..PCB TTL ASSY AMP7 2..AMP7 ASSY	7025HK1108017-IL 7028070253010-IL	7025HK1108037-IL 7028070254010-IL	
PACKING SECTION					
	P73-1	Remote Control (AXD7661)	8300766100010-IL	Not used	
	P73-1	Remote Control (AXD7662)	Not used	8300766200010-IL	
	P73-6	Operating Instructions (CD-ROM)	6517000000490-IL	6517000000520-IL	
		Operating Instructions (En)(PDF)	ARB7470	ARB7471	
		Operating Instructions (Fr)(PDF)	ARC8044	ARC8046	
		Operating Instructions (De)(PDF)	Not used	ARC8047	
		Operating Instructions (It)(PDF)	Not used	ARC8048	
		Operating Instructions (Es)(PDF)	ARC8045	ARC8049	
		Operating Instructions (NI)(PDF)	Not used	ARC8050	
		Operating Instructions (Ru)(PDF)	Not used	ARC8051	
	P73-7	Quick Start Guide	5707000006490-IL	5707000006510-IL	
	P73-8	Box, Gift	6007212070050-IL	6007212070070-IL	
NSP	P73-11	Warranty Card	ARY7156	ARY7158	
Δ		AC Power Cord	Not used	L068250160020-IL	
EXTERIOR SECTION					
Δ	P76-24	Cord Assy	L068125101710-IL	Not used	
Δ	P76-25	Power Trans	8200960611140-IL	8200960611150-IL	
	P76-34	Front Panel	3067215491010-IL	3067215491120-IL	

Mark	No.	Symbol and Description	VSX-1022-K/CUXESM	VSX-827-K/SYXE8	Remarks
⚠	P76-35	Back Chassis	3207214196000S-IL	3207214196100-IL	No. 62 No. 63 No. 64
	P76-36	Foot	4000210391000-IL	4007210391000-IL	
		Socket,Power AC	Not used	G430040560021-IL	
		Screw	Not used	CBZ30P080FTB	
		Front Video Plate827	Not used	4470212536000-IL	

Notes : The numbers in the remarks column correspond to the numbers on the "EXPLODED VIEWS".
For PCB ASSEMBLIES, Refer to "CONTRAST OF PCB ASSEMBLIES".

VSX-527-K/SYXE8

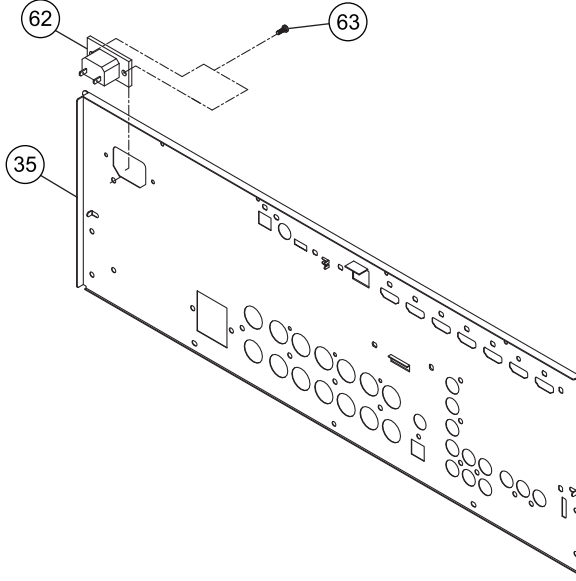
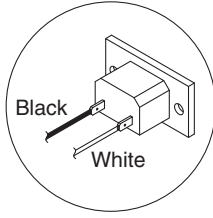
VSX-822-K/CUXESM and VSX-527-K/SYXE8 are constructed the same except for the following:

Mark	No.	Symbol and Description	VSX-822-K/CUXESM	VSX-527-K/SYXE8	Remarks
NSP	P76-1	PCB ASSEMBLIES			
		1..PCB TTL ASSY MAIN 2..MAIN Assy	7025HK1107010-IL 7028071611010-IL	7025HK1107020-IL 7028071611020-IL	
NSP	P76-8	1..PCB TTL ASSY FRONT 2..FRONT Assy	7025HK1108011-IL 7028071621030-IL	7025HK1108031-IL 7028071621040-IL	
NSP		1..PCB TTL ASSY VIDEO 2..VIDEO Assy	7025HK1107012-IL 7028071671010-IL	7025HK1107022-IL 7028071671020-IL	
	P76-14 P76-15	2..STBY Assy	7028071672010-IL	7028071672020-IL	
NSP	P76-18	1..PCB TTL ASSY AUDIO 2..AUDIO Assy	7025HK1107013-IL 7028071641010-IL	7025HK1107023-IL 7028071641020-IL	
NSP		1..PCB TTL ASSY DMAIN	7025HK1107014-IL	7025HK1107024-IL	
NSP	P76-20	1..PCB TTL ASSY CPU 2..CPU Assy	7025HK1107015-IL 7028071681010-IL	7025HK1107025-IL 7028071681020-IL	
NSP		1..PCB TTL ASSY AMP5 2..AMP5 Assy	7025HK1107017-IL 7028070245010-IL	7025HK1107027-IL 7028070246010-IL	
		PACKING SECTION			
	P73-1	Remote Control (AXD7661)	8300766100010-IL	Not used	
	P73-1	Remote Control (AXD7662)	Not used	8300766200010-IL	
	P73-5	iPod Cable	L308102013030-IL	Not used	
	P73-6	Operating Instructions (CD-ROM)	6517000000490-IL	6517000000520-IL	
		Operating Instructions (En)(PDF)	ARB7470	ARB7471	
		Operating Instructions (Fr)(PDF)	ARC8044	ARC8046	
		Operating Instructions (De)(PDF)	Not used	ARC8047	
		Operating Instructions (It)(PDF)	Not used	ARC8048	
		Operating Instructions (Es)(PDF)	ARC8045	ARC8049	
		Operating Instructions (NI)(PDF)	Not used	ARC8050	
		Operating Instructions (Ru)(PDF)	Not used	ARC8051	
	P73-7	Quick Start Guide	5707000006490-IL	5707000006510-IL	
	P73-8	Box, Gift	6007212070090-IL	60072120700A0-IL	
NSP	P73-11	Warranty Card	ARY7156	ARY7158	
⚠		AC Power Cord	Not used	L068250160020-IL	
		EXTERIOR SECTION			
⚠	P76-24	Cord Assy	L068125101710-IL	Not used	
⚠	P76-25	Power Trans	8200960611180-IL	8200960611220-IL	
	P76-34	Front Panel	3067215491020-IL	3067215491130-IL	
	P76-35	Back Chassis	3207214186000S-IL	3207214186100-IL	
⚠		Socket,Power AC	Not used	G430040560021-IL	No. 62
		Screw	Not used	CBZ30P080FTB	No. 63
		Front Video Plate827	Not used	4470212536000-IL	No. 64

Notes : The numbers in the remarks column correspond to the numbers on the "EXPLODED VIEWS".
For PCB ASSEMBLIES, Refer to "CONTRAST OF PCB ASSEMBLIES".

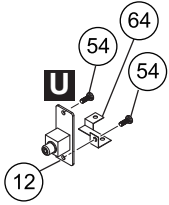
EXPLODED VIEWS EXTERIOR SECTION

A



B

C



D

E

F

CONTRAST OF PCB ASSEMBLIES

AF AUDIO ASSY

7028071641030-IL, 7028071641040-IL and 7028071641020-IL are constructed the same except for the following:

Mark	Symbol and Description	7028071641030-IL	7028071641040-IL	7028071641020-IL	Remarks
	JA402 Ter, RCA 2pin	Not used	Not used	G601206A0005Y-IL	

The mounting positions of the additional parts are described in the circuit diagram and PCB diagram of the parent manual.

BF AMP7 ASSY

Although 7028070253010-IL and 7028070254010-IL are different in part number and they are NOT COMPATIBLE, they consist of the same service components.

BF AMP5 ASSY

Although 7028070245010-IL and 7028070246010-IL are different in part number and they are NOT COMPATIBLE, they consist of the same service components.

CF MAIN ASSY

7028071611030-IL, 7028071611040-IL and 7028071611020-IL are constructed the same except for the following:

Mark	Symbol and Description	7028071611030-IL	7028071611040-IL	7028071611020-IL	Remarks
	R15, R17 R, metal Film 100PPM	C060010065050-IL	C060010065050-IL	Not used	
	R16, R18 R, metal Film 100PPM	C060010066050-IL	C060010066050-IL	Not used	
	RY5, RY6 Relay	G680120502050-IL	G680120502050-IL	Not used	
	CN9008, CN9014 CN. wafer	L109012510920-IL	L109012510920-IL	Not used	
	JA104 Ter, board Push 4p	G594408SA030Y-IL	G594408SA030Y-IL	Not used	
	JA103 Ter, board Screw 2p	G611201A0200Y-IL	G611201A0200Y-IL	Not used	
	JA102 Ter, board Screw 4p	G612405E0200Y-IL	G612405E0200Y-IL	G611201A0200Y-IL	
	601 TUNER,FM/AM	E903004100780-IL	E903104100780-IL	E903104100780-IL	

EF CPU ASSY

Although 7028071681030-IL, 7028071681040-IL and 7028071681020-IL are different in part number and they are NOT COMPATIBLE, they consist of the same service components.

FF VIDEO ASSY

7028071671030-IL, 7028071671040-IL and 7028071671020-IL are constructed the same except for the following:

Mark	Symbol and Description	7028071671030-IL	7028071671040-IL	7028071671020-IL	Remarks
	JA1200 Ter, RCA 6pin	G603610A0051Y-IL	G603610A0051Y-IL	G606305AW140Y-IL	

Note: For the above Assy's, apart from the registered parts for service described above, some nonregistered parts are also different.

QF FRONT ASSY

7028071621030-IL and 7028071621040-IL are constructed the same except for the following:

Mark	Symbol and Description	7028071621030-IL	7028071621040-IL	Remarks
	R779, R780	C060001063050-IL	C0602R2063050-IL	

WF STBY ASSY

7028071672030-IL, 7028071672040-IL and 7028071672020-IL are constructed the same except for the following:

Mark	Symbol and Description	7028071672030-IL	7028071672040-IL	7028071672020-IL	Remarks
	D9301	K06005R644520-IL	K06005R644520-IL	K06005R144520-IL	
⚠	FU301 FUSE GLASS TUBE 20mm	N751508001160-IL	N751504001160-IL	N751503151160-IL	
⚠	T301 POWER TRANS	8200280150620-IL	8200280150680-IL	8200280150680-IL	
⚠	CN301 CONNECTOR	L108396030010-IL	Not used	Not used	

Note: For the above Assy's, apart from the registered parts for service described above, some nonregistered parts are also different.