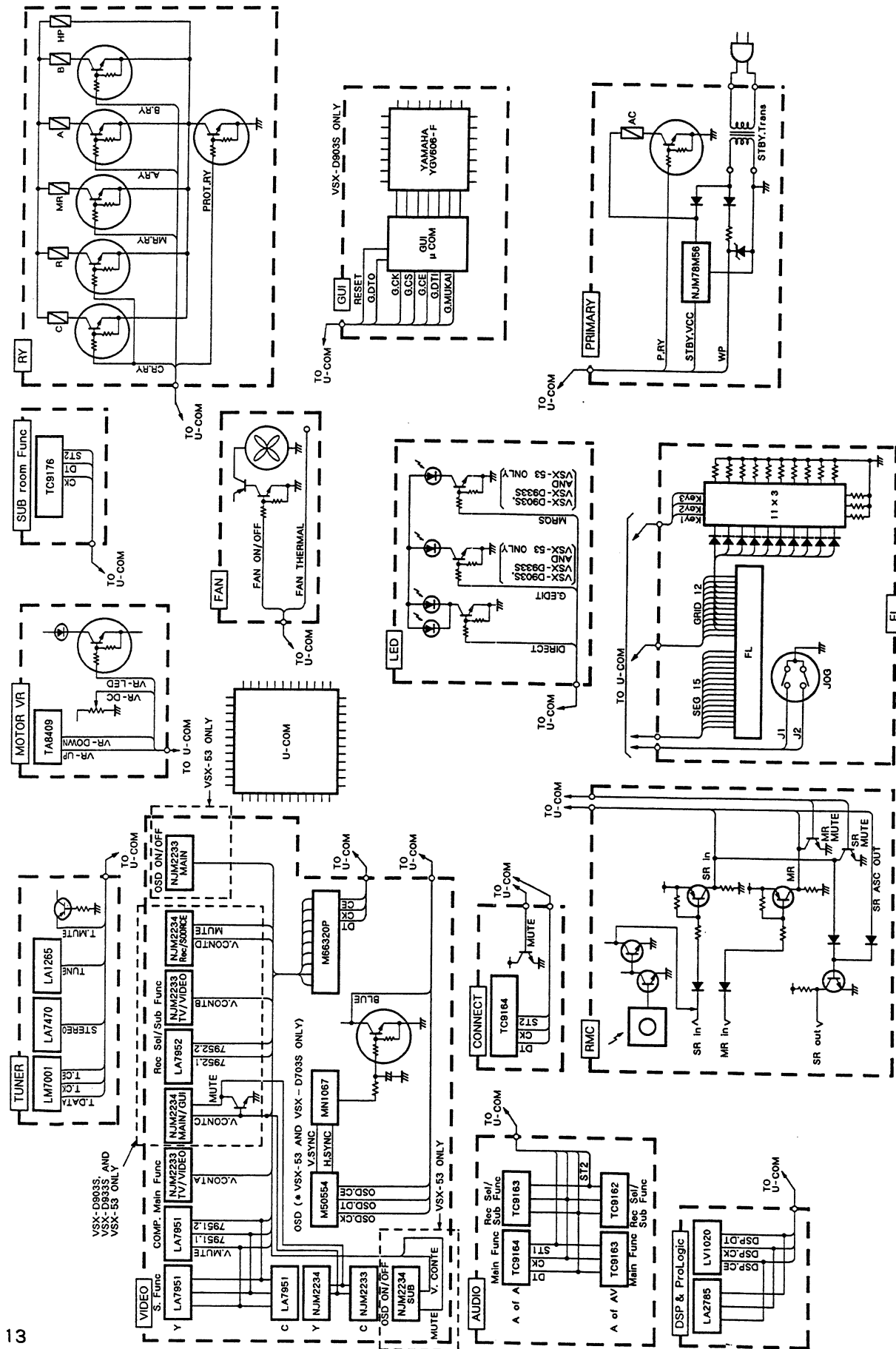


4.2 MICROCOMPUTER SECTION



5. SCHEMATIC AND PCB DIAGRAMS

NOTE FOR SCHEMATIC DIAGRAMS Type 1A
1. When ordering service parts, be sure to refer to "PARTS LIST OF EXPLODED VIEWS" or "PCB PARTS LIST".

2. Since these are basic circuits, some parts of them or the values of some components may be changed for improvement.

3. **RESISTORS:**
Unit: k Ω , M Ω , or Ω unless otherwise noted.
Rated power: 1/4W, 1/8W, 1/8W, 1/10W unless otherwise noted.
Tolerance: (F): $\pm 1\%$, (G): $\pm 2\%$, (K): $\pm 10\%$, (M): $\pm 20\%$ or $\pm 5\%$ unless otherwise noted.

4. **CAPACITORS:**
Unit: pF or μ F unless otherwise noted.
Ratings: capacitor (μ F) / voltage (V) unless otherwise noted.
Rated voltage: 50V except for electrolytic capacitors.

5. **COILS:**
Unit: mH or μ H unless otherwise noted.

6. **VOLTAGE AND CURRENT:**
[Symbol] : Signal voltage at rated output. (AMPLIFIER SECTION)
[Symbol] : Signal voltage at FM 1kHz, 100% MOD. (TUNER SECTION)
[Symbol] or [Symbol] : V :
DC voltage (V) at no input signal unless otherwise noted.
Value in () is DC voltage at rated power.
[Symbol] mA or [Symbol] mA :
DC current at no input signal unless otherwise noted.

7. **OTHERS:**
[Symbol] or [Symbol] : Adjusting point.
[Symbol] : Measurement point.
[Symbol] : The Δ mark found on some component parts indicates the importance of the safety factor of the parts. Therefore, when replacing, be sure to use parts of identical designation.

8. **SCH - □ ON THE SCHEMATIC DIAGRAM:**
[Symbol] SCH-□ indicates the drawing number of the schematic diagram. (SCH stands for schematic diagram.)

9. **SWITCHES** (Underline indicates switch position):
OUT OF PCB ASSY (SD TYPE ONLY)
S1: VOLTAGE SELECTOR (AC110V/120-127V/220V/240V)
S2: VOLTAGE SELECTOR (AC110V, 120-127V/220V, 240V)
S3: CHANNEL STEP/FM DE-EMPHASIS (FM 50kHz/50 μ S) (FM 100kHz/75 μ S) (AM 9kHz)
FRONT: SP ASSY (VSX-D903S AND VSX-53 ONLY)
S281: CENTER SPEAKER SELECTOR
SW ASSY (VSX-D903S AND VSX-53 ONLY)
S111: FRONT SPEAKERS IMPEDANCE SELECTOR

(VSX-D903S AND VSX-53)
FL U-COM ASSY
S701: VCR 2
S702: POWER STANDBY/ON
S703: MUTING
S704: VIDEO
S705: MEMORY
S706: SUPER BASS
S707: TV/SAT
S708: 1(AUTO SOURCE CONTROL)
S709: RETURN
S710: RESET
S711: LD
S712: 2(AUTO SOURCE CONTROL)
S713: SELECT(TUNING MODE)
S714: TAPE 1
S715: SPEAKERS A
S716: ENTER(TUNIG MODE)
S717: TAPE 2 MONITOR
S718: SPEAKERS B
S719: MEMORY(TUNIG MODE)
S720: PHONO
S721: REC SEL
S722: MPX MODE(TUNIG MODE)
S723: TUNER
S724: GUI MODE (VSX-D903S)
S724: OSD SUB ROOM (VSX-53)
S725: FM/AM(TUNIG MODE)
S726: CD
S727: MULTI-ROOM & SOURCE
S728: DOLBY 3CH LOGIC
S729: DIRECT
S730: VCR 1
S731: DSP(SORROUND MODE)
S732: DOLBY PRO-LOGIC (SORROUND MODE)
S733: MULTI JOG

NOTE FOR PCB DIAGRAMS:

1. Part numbers in PCB diagrams match those in the schematic diagrams.
2. A comparison between the main parts of PCB and schematic diagrams is shown below.

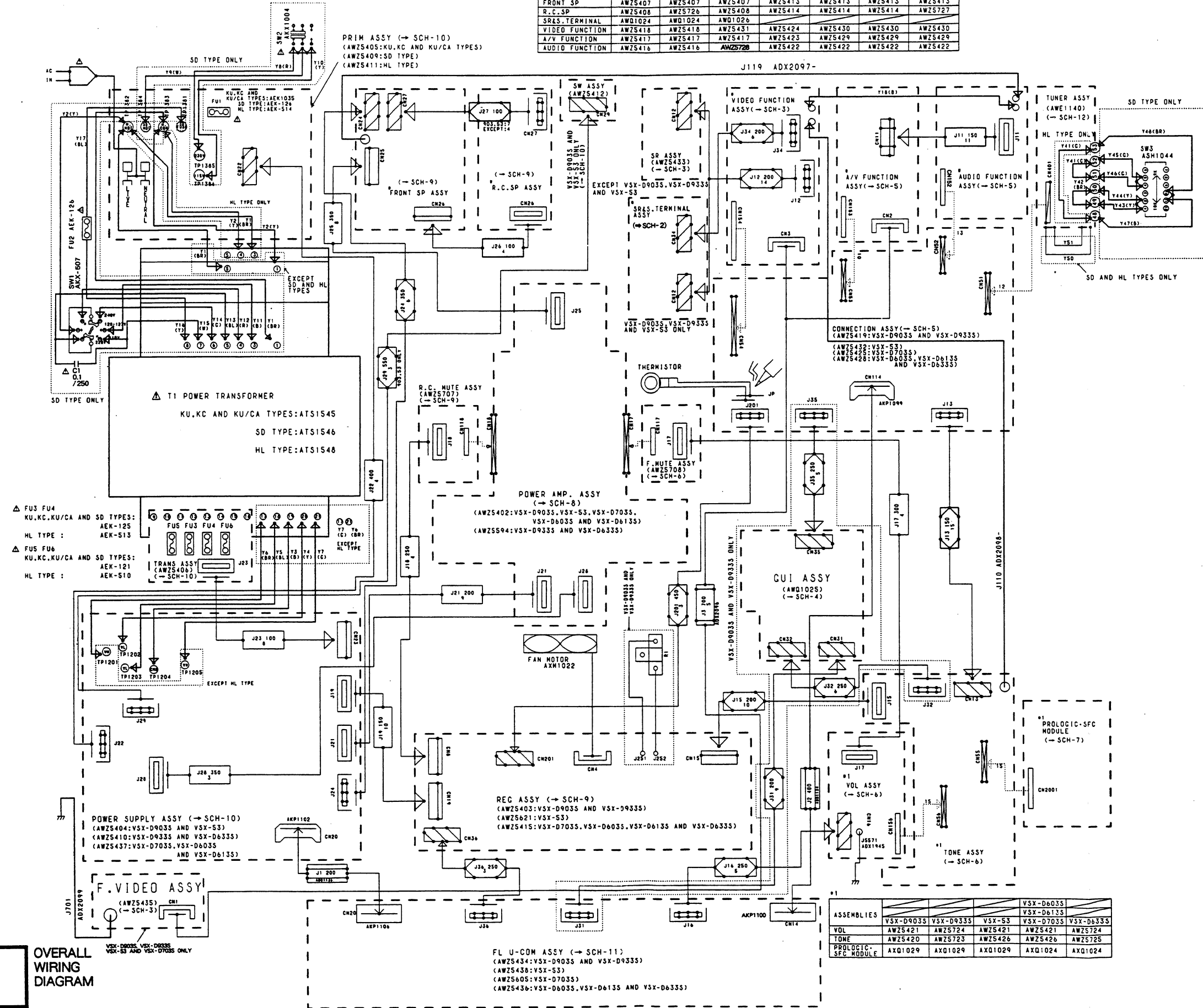
Symbol in PCB Diagrams	Symbol in Schematic Diagrams	Part Name
		Transistor
		Diode
		Capacitor (Polarized)

3. The transistor terminal marked with E or [Symbol] shows the emitter.
4. The diode terminal marked with [Symbol] or [Symbol] shows cathode side.
5. The capacitor terminal marked with [Symbol] or [Symbol] shows negative terminal.

5.1 OVERALL WIRING DIAGRAM

ASSEMBLIES	VSX-D903S	VSX-D933S	VSX-53	VSX-D703S	VSX-D603S	VSX-D613S	VSX-D633S
FRONT SP	AWZ5407	AWZ5407	AWZ5407	AWZ5413	AWZ5413	AWZ5413	AWZ5413
R.C.SP	AWZ5408	AWZ5726	AWZ5408	AWZ5414	AWZ5414	AWZ5414	AWZ5727
SRLS. TERMINAL	AWD1024	AWD1024	AWD1026				
VIDEO FUNCTION	AWZ5418	AWZ5418	AWZ5431	AWZ5424	AWZ5430	AWZ5430	AWZ5430
A/V FUNCTION	AWZ5417	AWZ5417	AWZ5417	AWZ5423	AWZ5429	AWZ5429	AWZ5429
AUDIO FUNCTION	AWZ5416	AWZ5416	AWZ5728	AWZ5422	AWZ5422	AWZ5422	AWZ5422

SCH-1



SCH-1

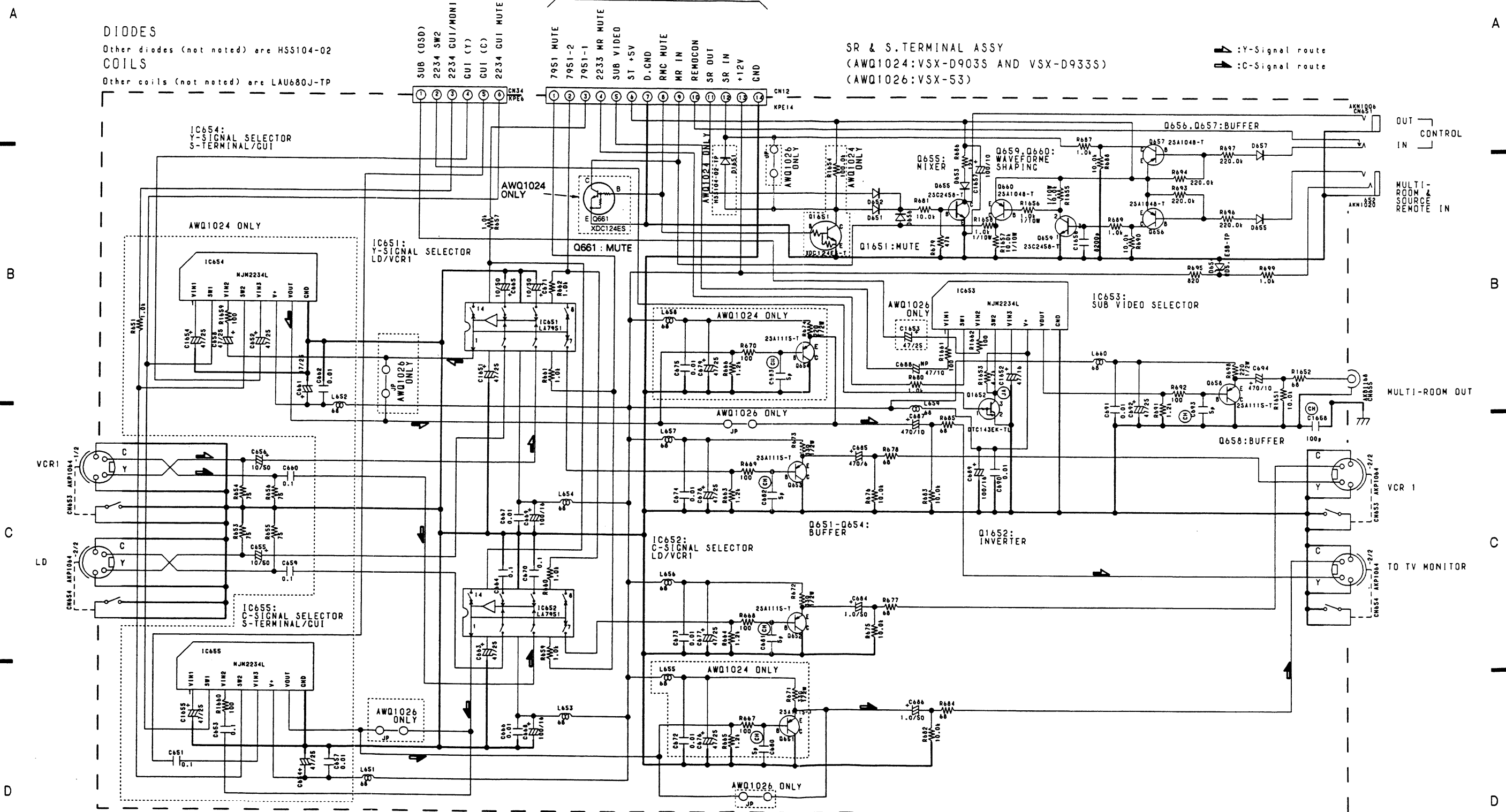
OVERALL WIRING DIAGRAM

OVERALL WIRING DIAGRAM

SCH-1

5.2 SR & S. TERMINAL ASSY

SCH-2



DIODES

Other diodes (not noted) are HSS104-02

COILS

Other coils (not noted) are LAU680J-TP

SR & S. TERMINAL ASSY
(AWQ1024: VSX-D903S AND VSX-D933S)
(AWQ1026: VSX-53)

▲ : Y-Signal route
■ : C-Signal route

SCH-2
SR & S.
TERMINAL
ASSY

SR & S.
TERMINAL
ASSY

SCH-2

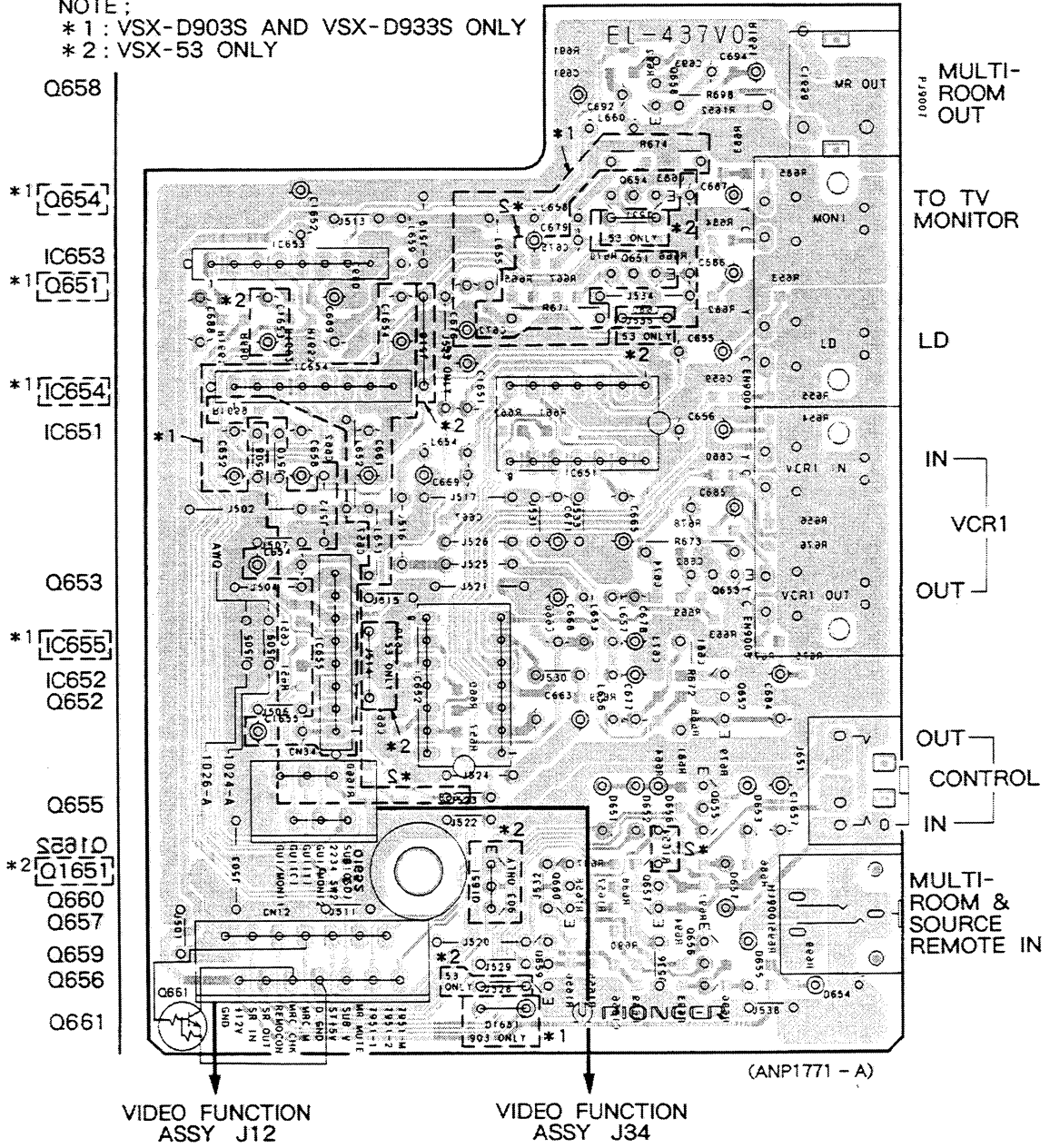
**VSX - D903S, VSX - D933S, VSX - 53, VSX - D703S,
VSX - D603S, VSX - D613S; VSX - D633S**

SR & S. TERMINAL ASSY

PCB - 1

NOTE:

- * 1 : VSX-D903S AND VSX-D933S ONLY
- * 2 : VSX-53 ONLY



• This diagram is viewed from the mounted parts side.

VX - D032, VX - D132, VX - D332
 VX - D032, VX - D332, VX - D332, VX - D332, VX - D332, VX - D332, VX - D332

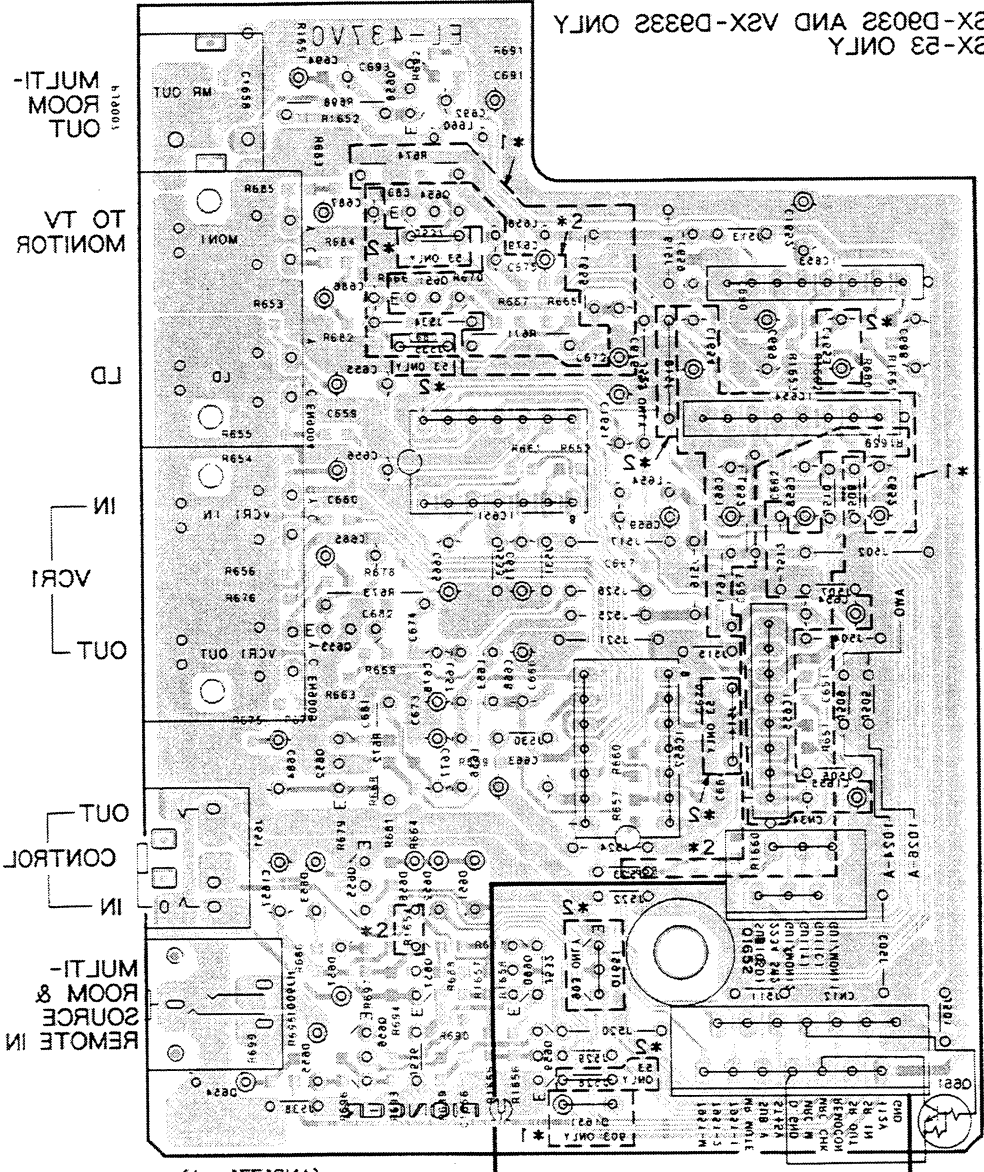
A

B

C

D

PCB - 1



VIDEO FUNCTION
 ASSY 134

VIDEO FUNCTION
 ASSY 115

• This diagram is viewed from the foil side.

SR & S TERMINAL ASSY

NOTE:
 * 1: VX-D032 AND VX-D332 ONLY
 * 2: VX-E3 ONLY

- Q828
- * 1 Q824
- * 1 Q823
- * 1 Q821
- * 1 Q824
- Q821
- Q823
- * 1 Q822
- Q825
- Q822
- * 2 Q821
- Q820
- Q827
- Q828
- Q826
- Q821

A

B

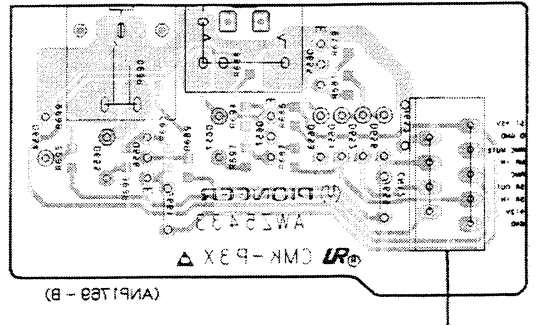
C

D

V2X - D603, V2X - D613, V2X - D633, V2X - D603, V2X - D633, V2X - D633, V2X - D703, V2X - D703

F.3 VIDEO FUNCTION, SR AND F. VIDEO ASSEMBLIES

SR ASSY AND V2X-D633 ONLY
(V2X-D703, V2X-D603, V2X-D613)



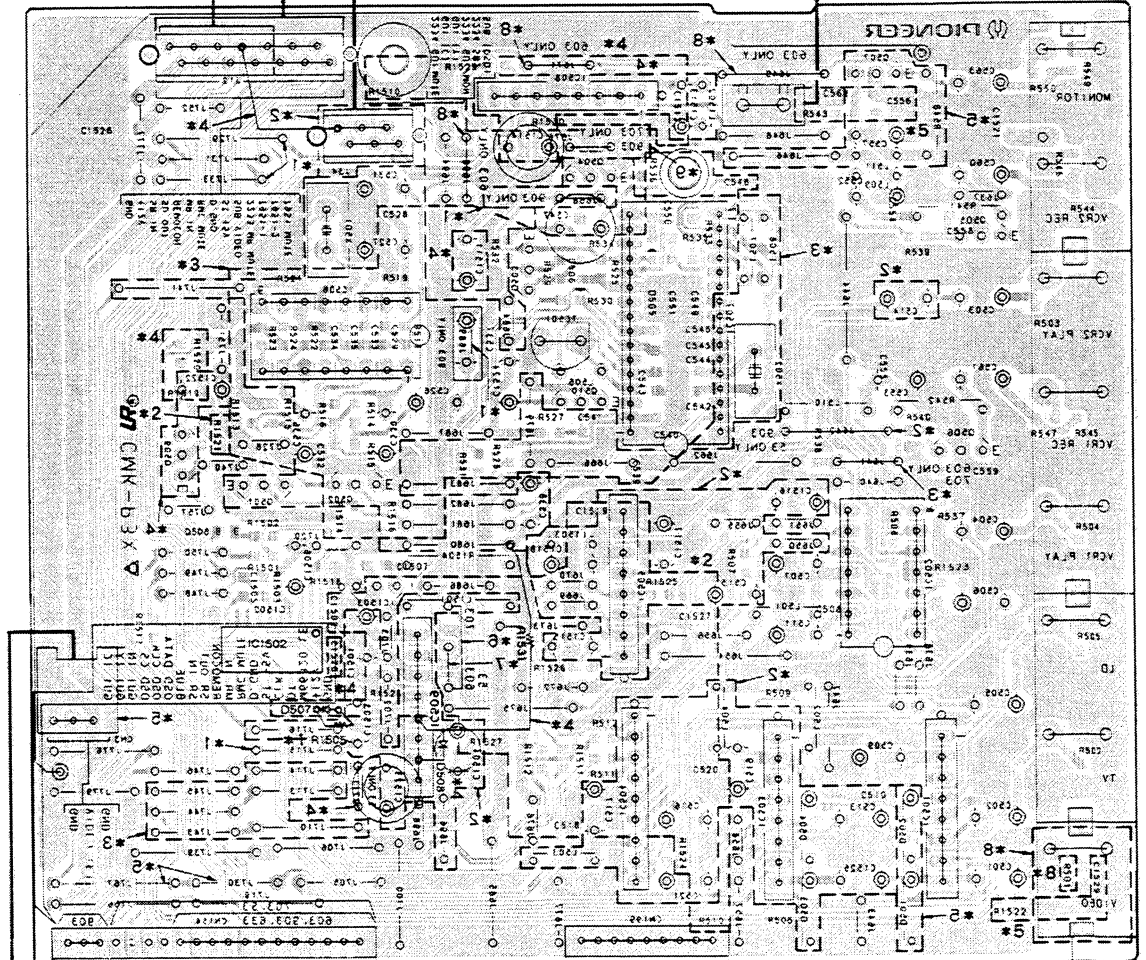
- NOTE:
- * 1: V2X-D603 AND V2X-D633 ONLY
 - * 2: V2X-D603, V2X-D633 AND V2X-63 ONLY
 - * 3: V2X-D703 AND V2X-63 ONLY
 - * 4: V2X-63 ONLY
 - * 5: V2X-D603, V2X-D633, V2X-D703 AND V2X-63 ONLY
 - * 6: V2X-D703 ONLY
 - * 7: V2X-D603, V2X-D613, V2X-D633 AND V2X-63 ONLY
 - * 8: V2X-D603, V2X-D613 AND V2X-D633 ONLY
 - * 9: V2X-D603, V2X-D633 AND V2X-D703 ONLY

PCB-5

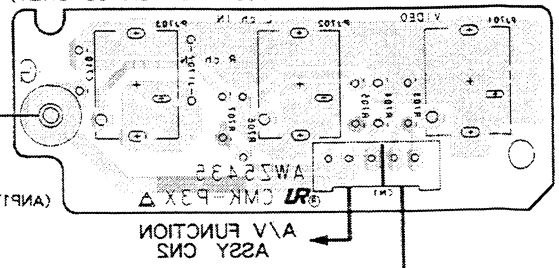
SR & S. TERMINAL ASSY
CN34 CN15

AUDIO FUNCTION TONE ASSY

VIDEO FUNCTION ASSY



F. VIDEO ASSY (V2X-D703 AND V2X-63 ONLY)
(V2X-D603, V2X-D633)



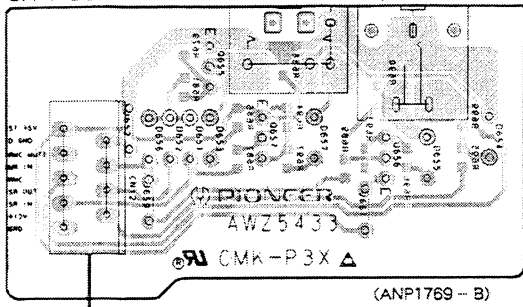
This diagram is viewed from the foil side.

- IC507 * 8
- IC508 * 4
- IC504 * 3
- Q202
- IC503 * 3
- IC507
- IC508
- IC509
- IC510
- Q203
- IC501
- IC502
- IC1503
- * 3
- Q202
- IC503
- IC504
- IC505
- IC506
- IC507
- IC508
- IC509
- IC510
- IC511
- IC512
- IC513
- IC514
- IC515
- IC516
- IC517
- IC518
- IC519
- IC520
- IC521
- IC522
- IC523
- IC524
- IC525
- IC526
- IC527
- IC528
- IC529
- IC530
- IC531
- IC532
- IC533
- IC534
- IC535
- IC536
- IC537
- IC538
- IC539
- IC540
- IC541
- IC542
- IC543
- IC544
- IC545
- IC546
- IC547
- IC548
- IC549
- IC550
- IC551
- IC552
- IC553
- IC554
- IC555
- IC556
- IC557
- IC558
- IC559
- IC560
- IC561
- IC562
- IC563
- IC564
- IC565
- IC566
- IC567
- IC568
- IC569
- IC570
- IC571
- IC572
- IC573
- IC574
- IC575
- IC576
- IC577
- IC578
- IC579
- IC580
- IC581
- IC582
- IC583
- IC584
- IC585
- IC586
- IC587
- IC588
- IC589
- IC590
- IC591
- IC592
- IC593
- IC594
- IC595
- IC596
- IC597
- IC598
- IC599
- IC600

5.3 VIDEO FUNCTION, SR AND F. VIDEO ASSEMBLIES

(VSX-D703S, VSX-D603S, VSX-D613S
SR ASSY AND VSX-D633S ONLY)

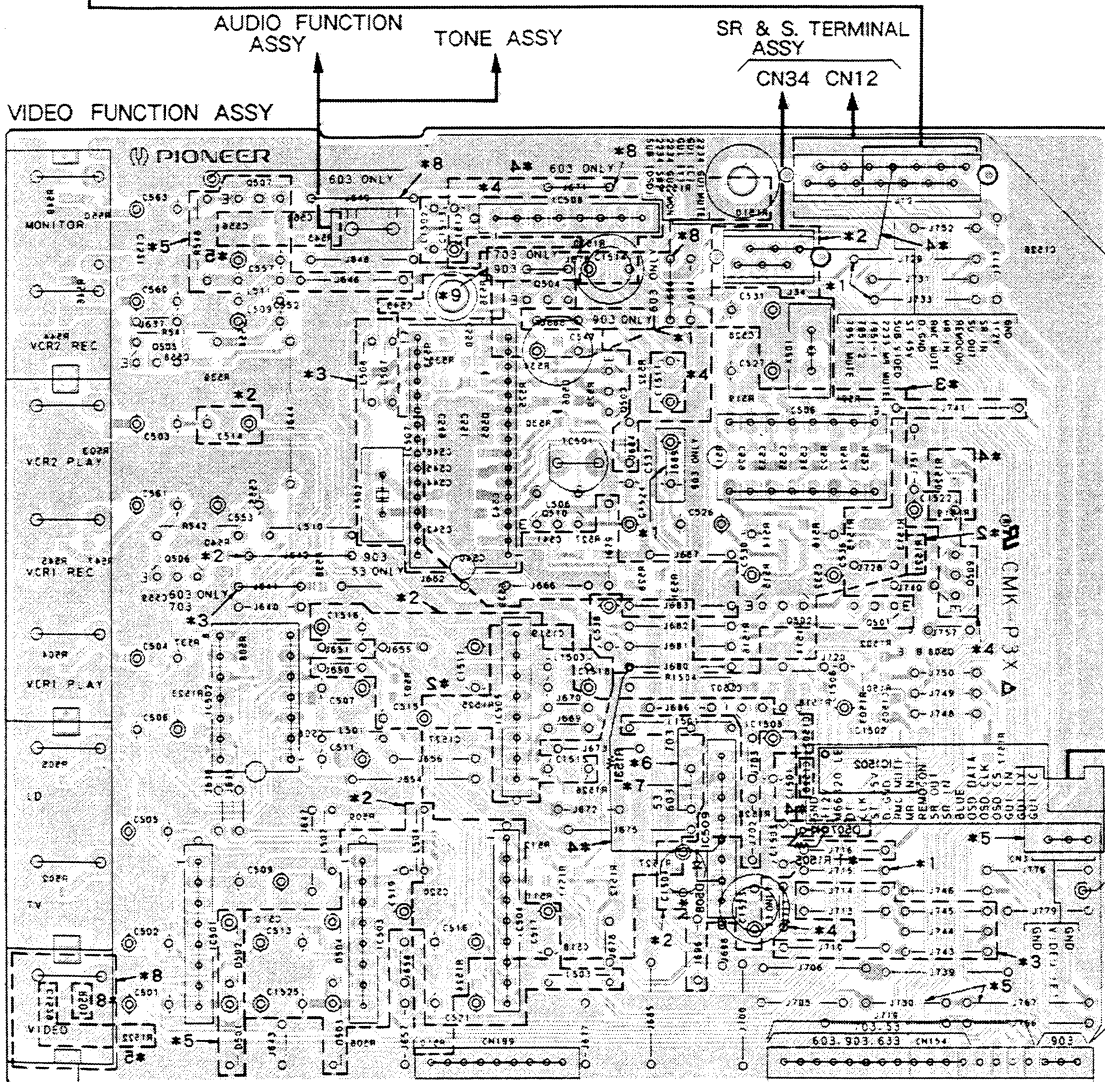
PCB - 2



(ANP1769 - B)

NOTE :

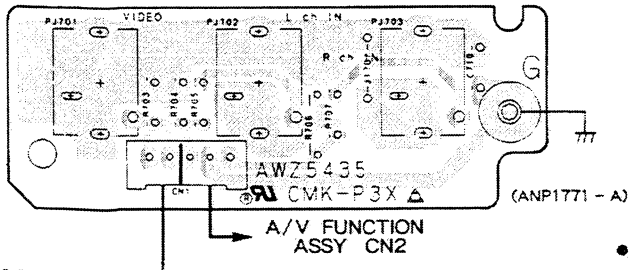
- * 1 : VSX-D903S AND VSX-D933S ONLY
- * 2 : VSX-D903S, VSX-D933S AND VSX-53 ONLY
- * 3 : VSX-D703S AND VSX-53 ONLY
- * 4 : VSX-53 ONLY
- * 5 : VSX-D903S, VSX-D933S, VSX-D703S AND VSX-53 ONLY
- * 6 : VSX-D703S ONLY
- * 7 : VSX-D603S, VSX-D613S, VSX-D633S AND VSX-53 ONLY
- * 8 : VSX-D603S, VSX-D613S AND VSX-D633S ONLY
- * 9 : VSX-D903S, VSX-D933S AND VSX-D703S ONLY



(ANP1769 - B)

- Q507 *5
- IC508 *4
- Q504 *3
- Q505
- Q503 *3
- IC506
- IC507
- Q510
- Q506 *4
- Q509
- Q502 Q501 *3
- 8020
- IC502
- IC505 IC1503 *2
- S02101
- IC509 *2
- IC501
- IC503 *2
- IC504 *2

(VSX-D903S, VSX-D933S,
F. VIDEO ASSY VSX-D703S AND VSX-53 ONLY)



(ANP1771 - A)

A/V FUNCTION
ASSY CN2

CONNECTION
ASSY CN54

• This diagram is viewed from the mounted parts side.

A

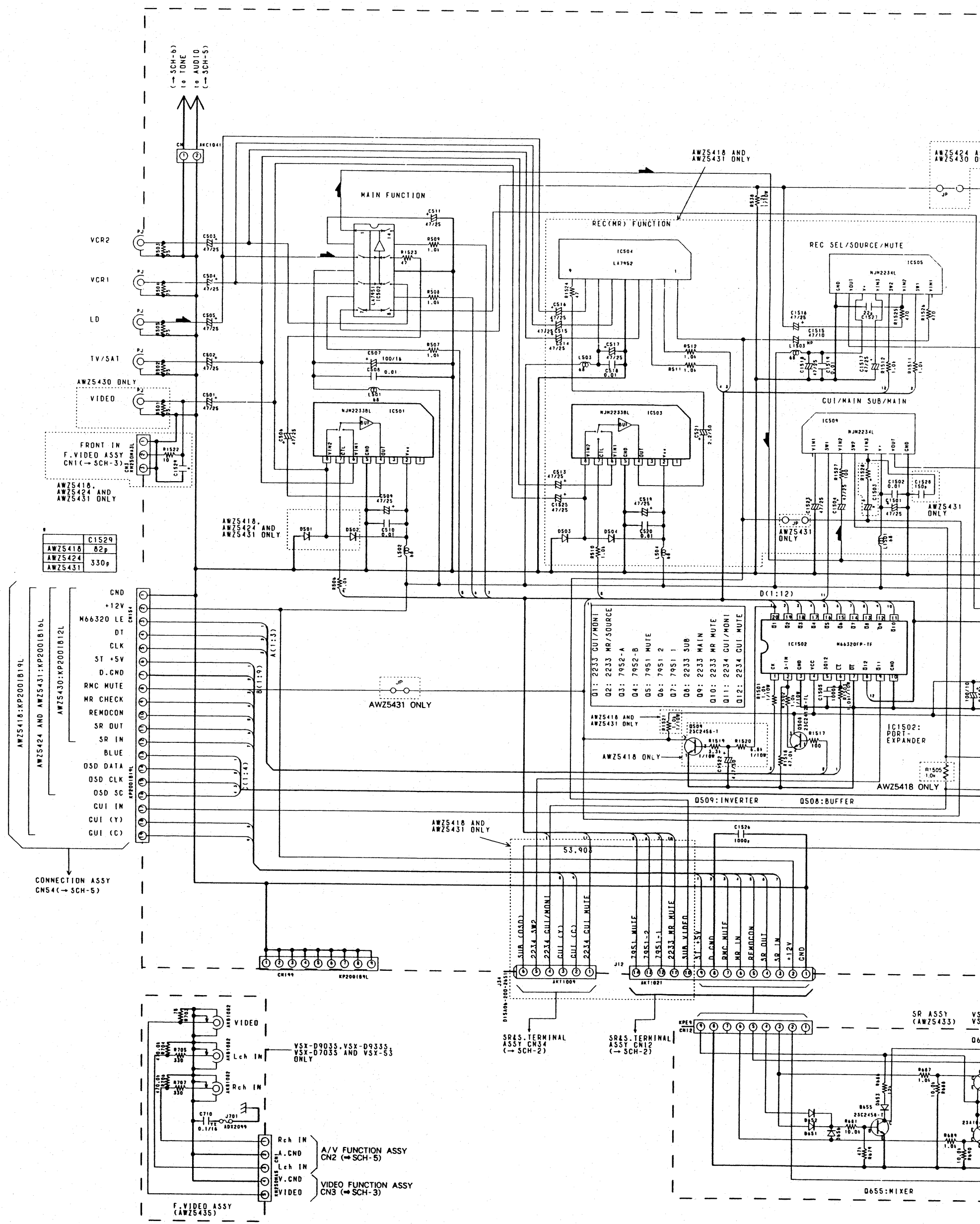
B

C

D

E

F

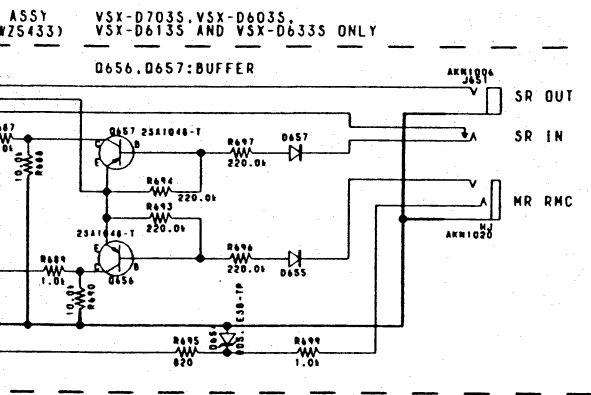
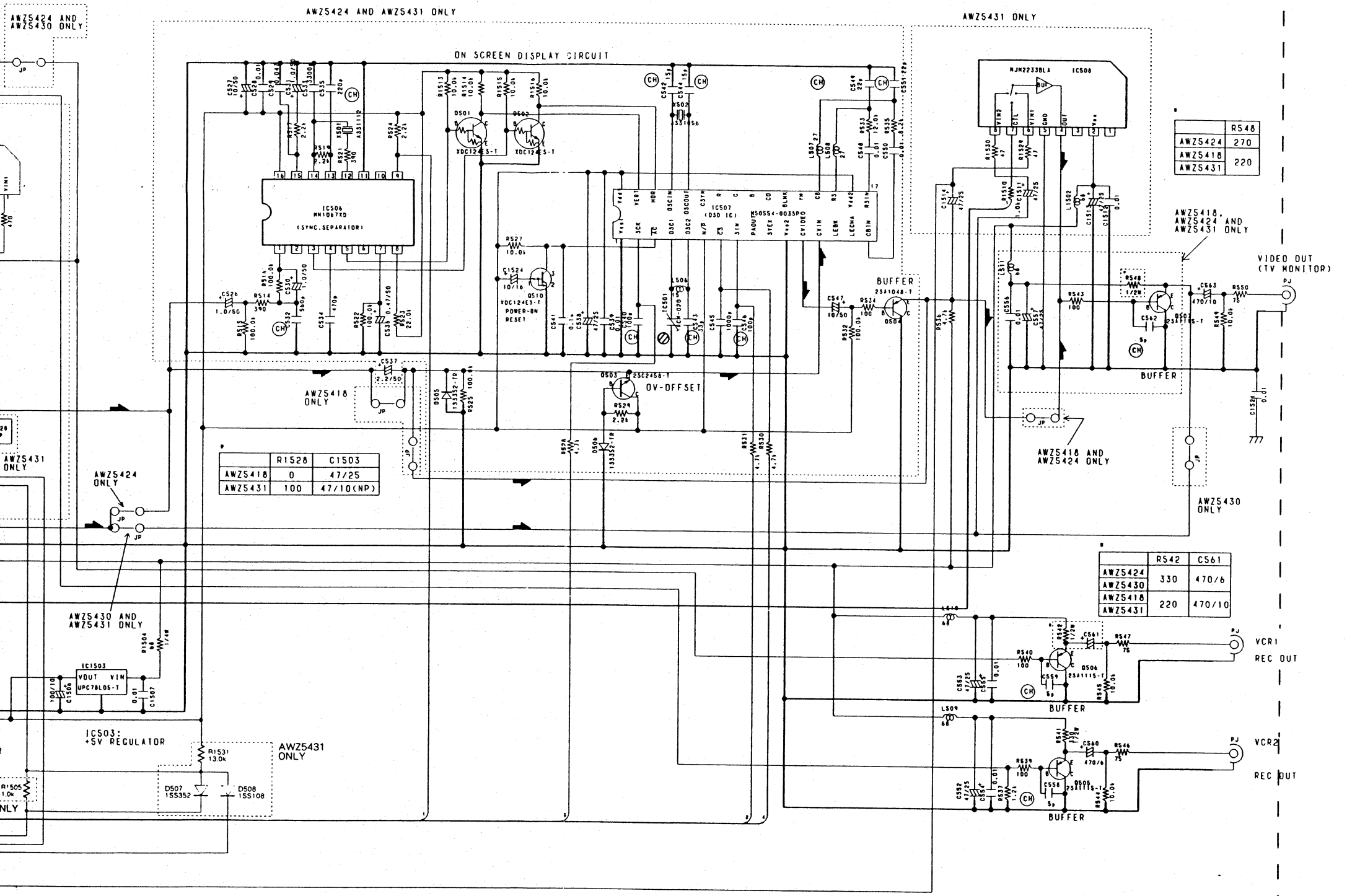


C1529	
AWZ5416	82p
AWZ5424	330p
AWZ5431	330p

SCH-3

VIDEO FUNCTION ASSY,
SR ASSY,
F. VIDEO ASSY

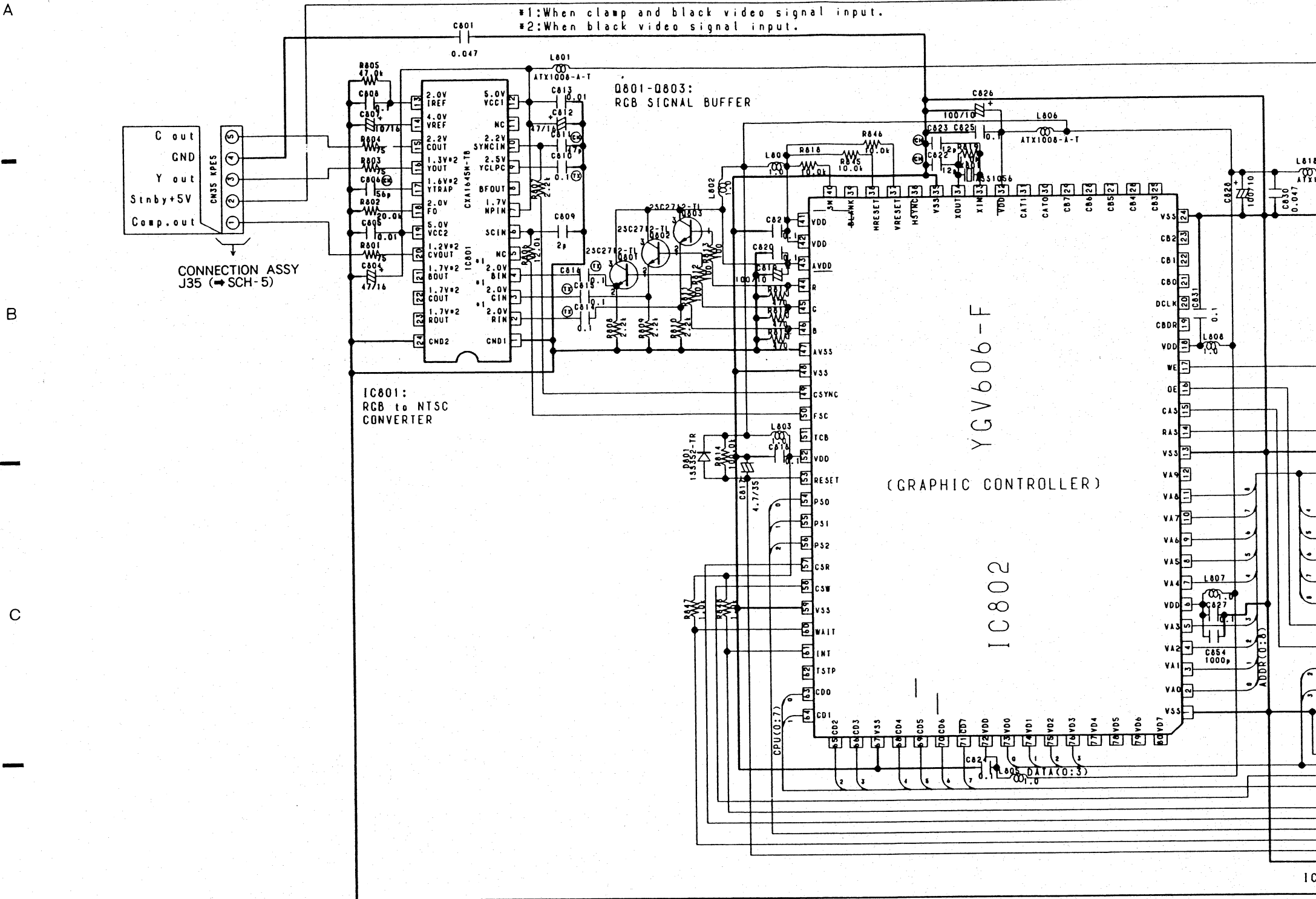
VIDEO FUNCTION ASSY (AWZ5418:VSX-D903S AND VSX-D933S)
(AWZ5431:VSX-53)
(AWZ5424:VSX-D703S)
(AWZ5430:VSX-D603S,VSX-D613S AND VSX-D633S)



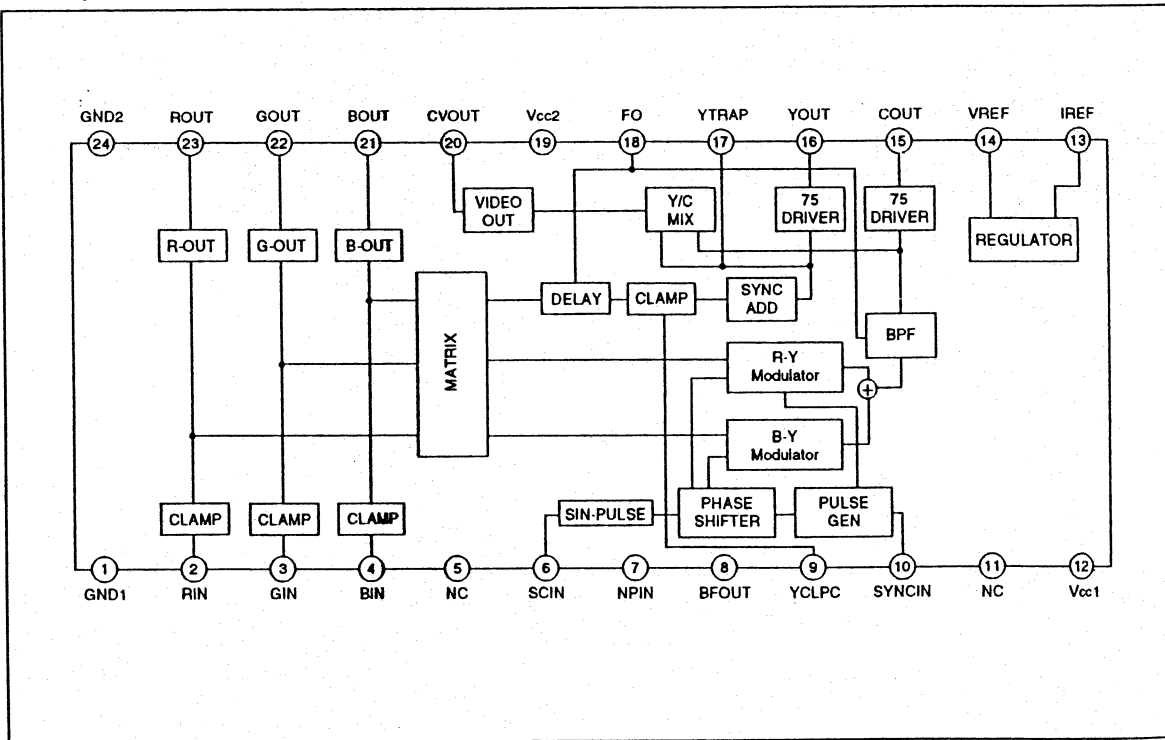
DIODES
Other diodes (not noted) are M55104-02

5.4 GUI ASSY

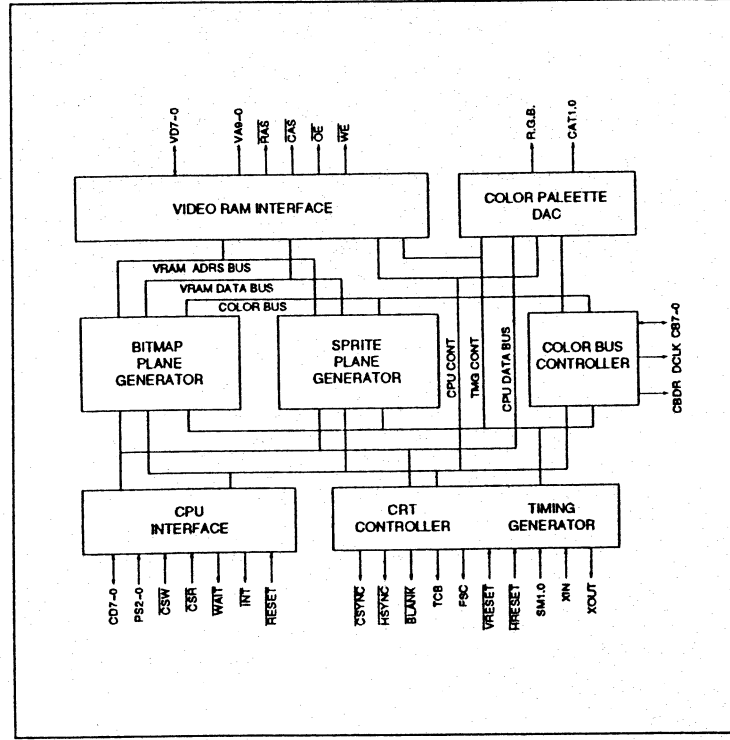
GUI ASSY(AWQ1025:VSX-D903S AND VSX-D933S ON



IC801(CXA1645M)



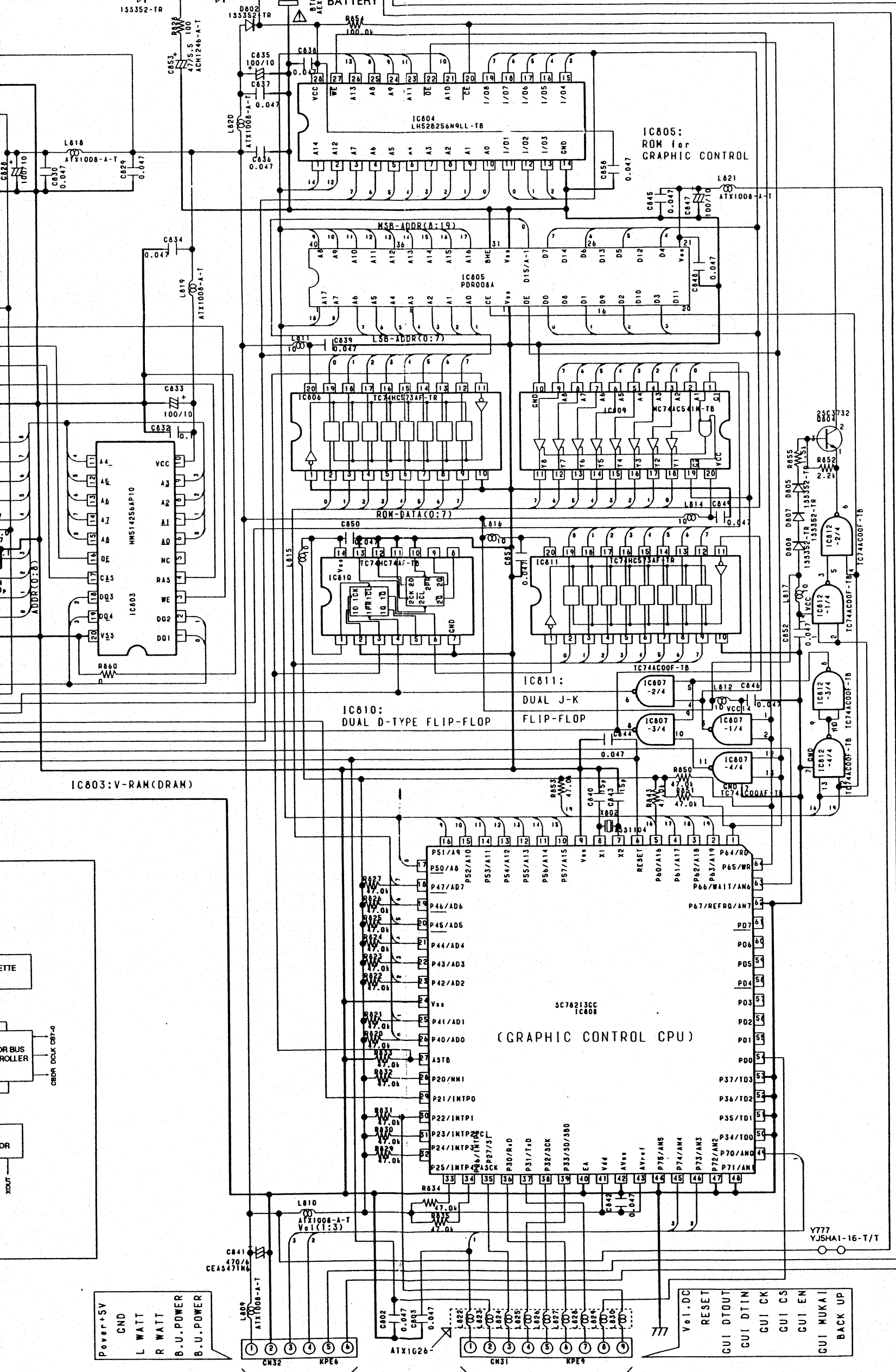
IC802(YGV606-F)



SCH-4

GUI ASSY

-D933S ONLY)

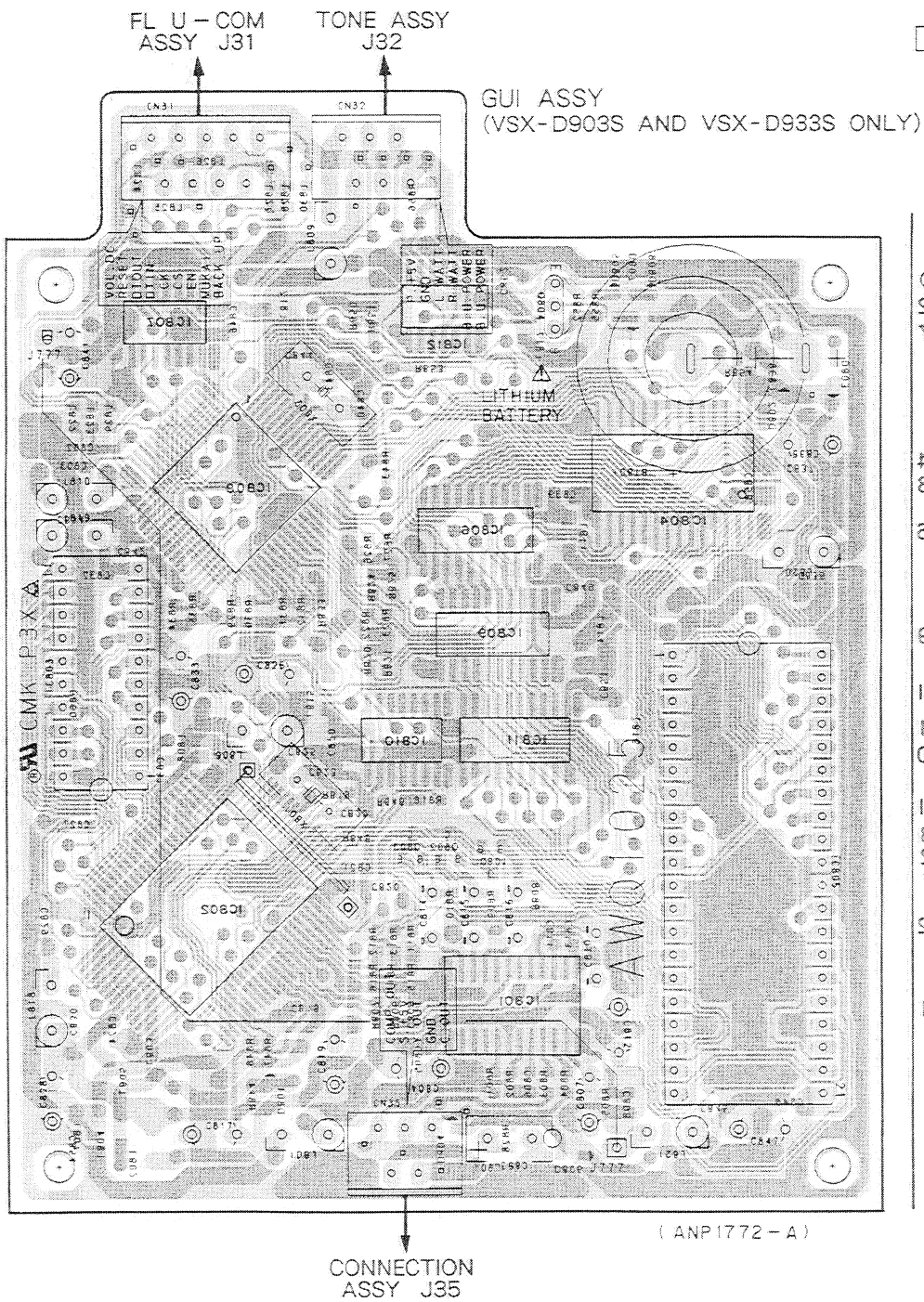


D804: POWER ON TRIGER for CHIP-ENABL

IC806, IC807, IC809-IC812: ROM and CPU COMMUNICATION

GUI ASSY

VSX - D903S, VSX - D933S, VSX - 53, VSX - D703S,
 VSX - D603S, VSX - D613S, VSX - D633S



PCB - 3

- Q804
- Σ180I
- T080I
- 4080I
- 8080I
- 8080I
- 8080I
- 8080I
- IC803
- 1180I
- IC810
- IC805
- 8080
- 8080
- T080
- Σ080I
- 1080I

- This diagram is viewed from the pink colored foil side.
- This PCB is double sided.

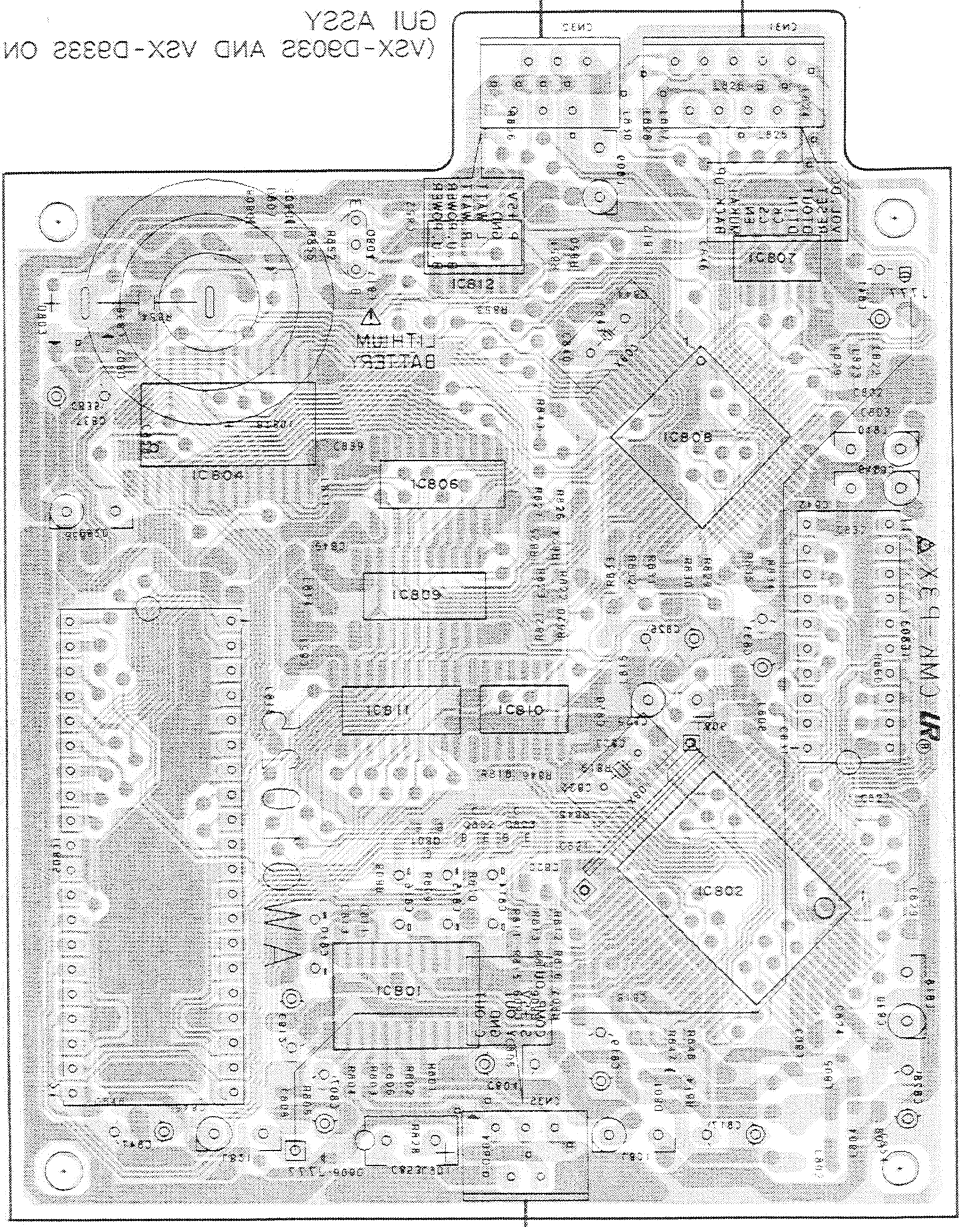
VX - D635, VX - D613, VX - D635
 VX - D635, VX - D635, VX - 53, VX - D7035

PCB - 3

4080
 IC812
 IC807
 IC804
 IC808
 IC806
 IC809
 IC803
 IC811
 IC810
 IC802
 Q803
 Q802
 Q801
 IC802
 IC801

(VX-D635 AND VX-D635 ONLY)
 GUI ASSY

ASSY 731 FL U - COM
 ASSY 735 TONE

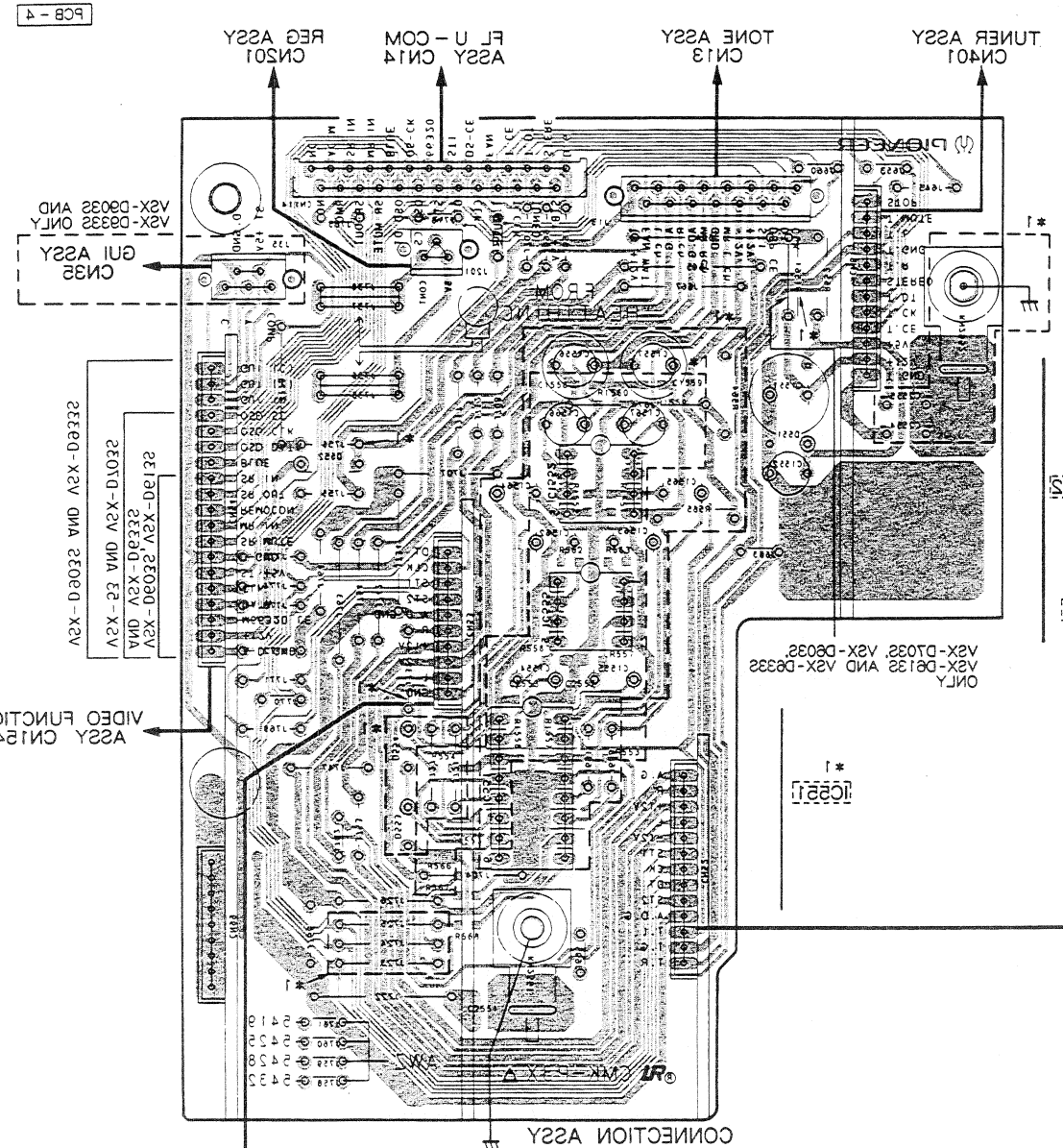


(APITTS - A)

ASSY 735 CONNECTION

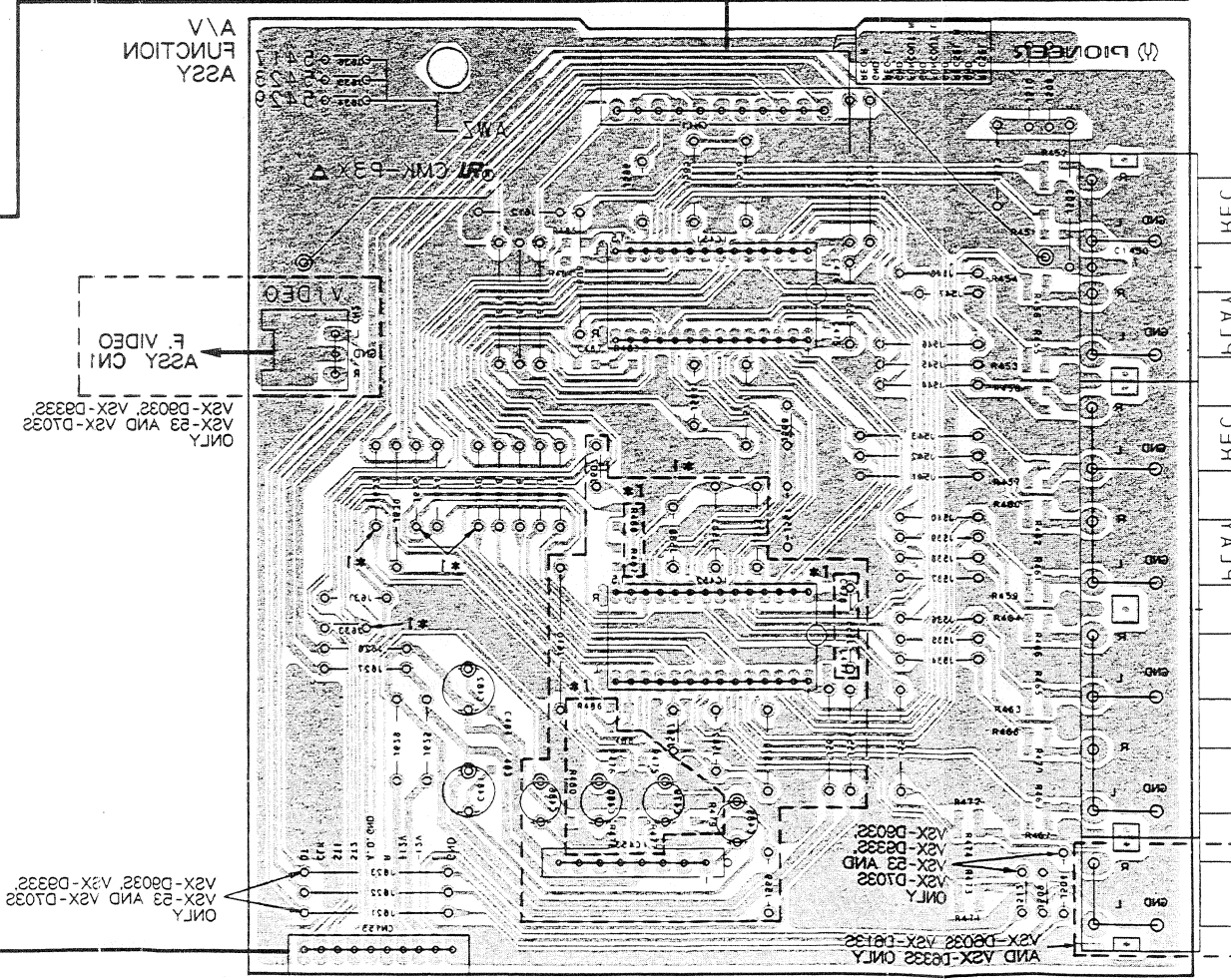
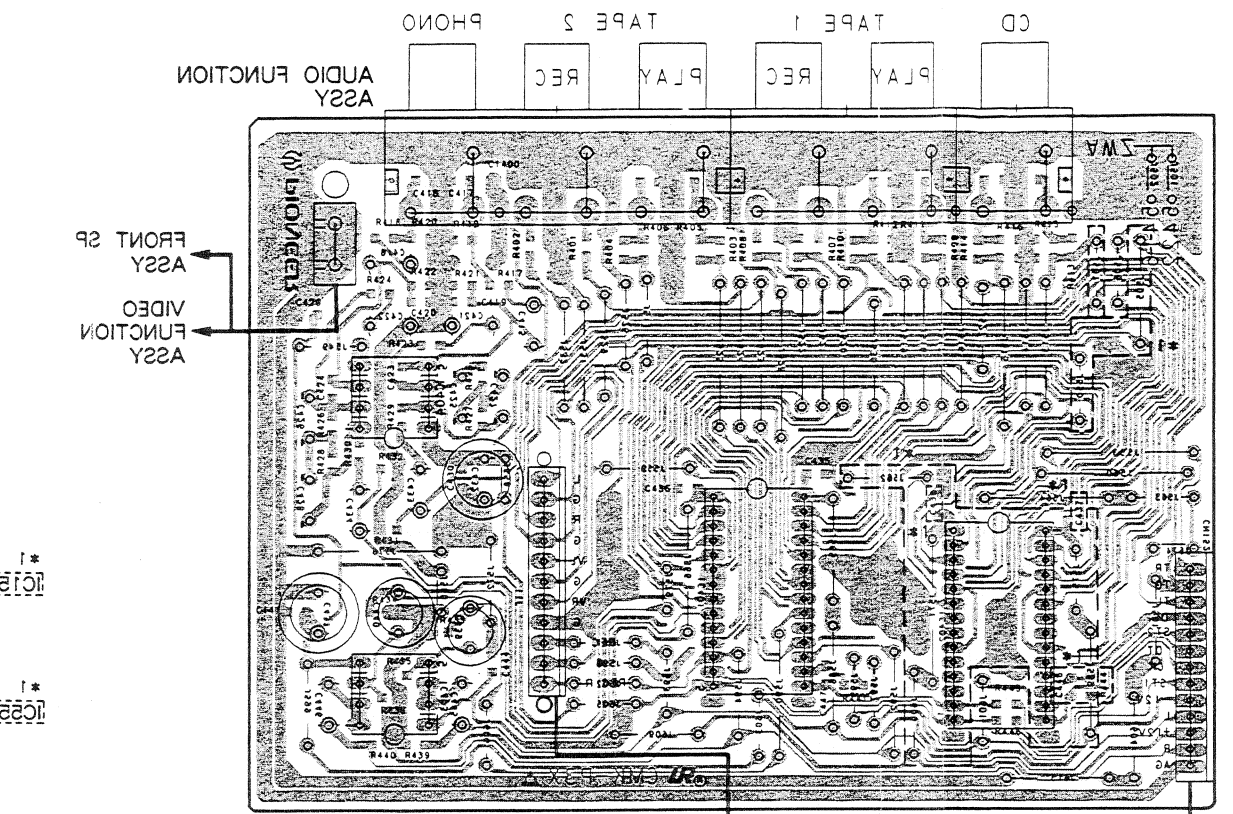
- This diagram is viewed from the gray colored foil side.
- This PCB is double sided.

2.5 AUDIO FUNCTION, A/V FUNCTION AND CONNECTION ASSEMBLIES



NOTE: * 1: V2X-D603S, V2X-D633S AND V2X-E3 ONLY.
(ANP128 - B)

● This diagram is viewed from the foil side.



A

B

C

D

e

2

4

3

e

2

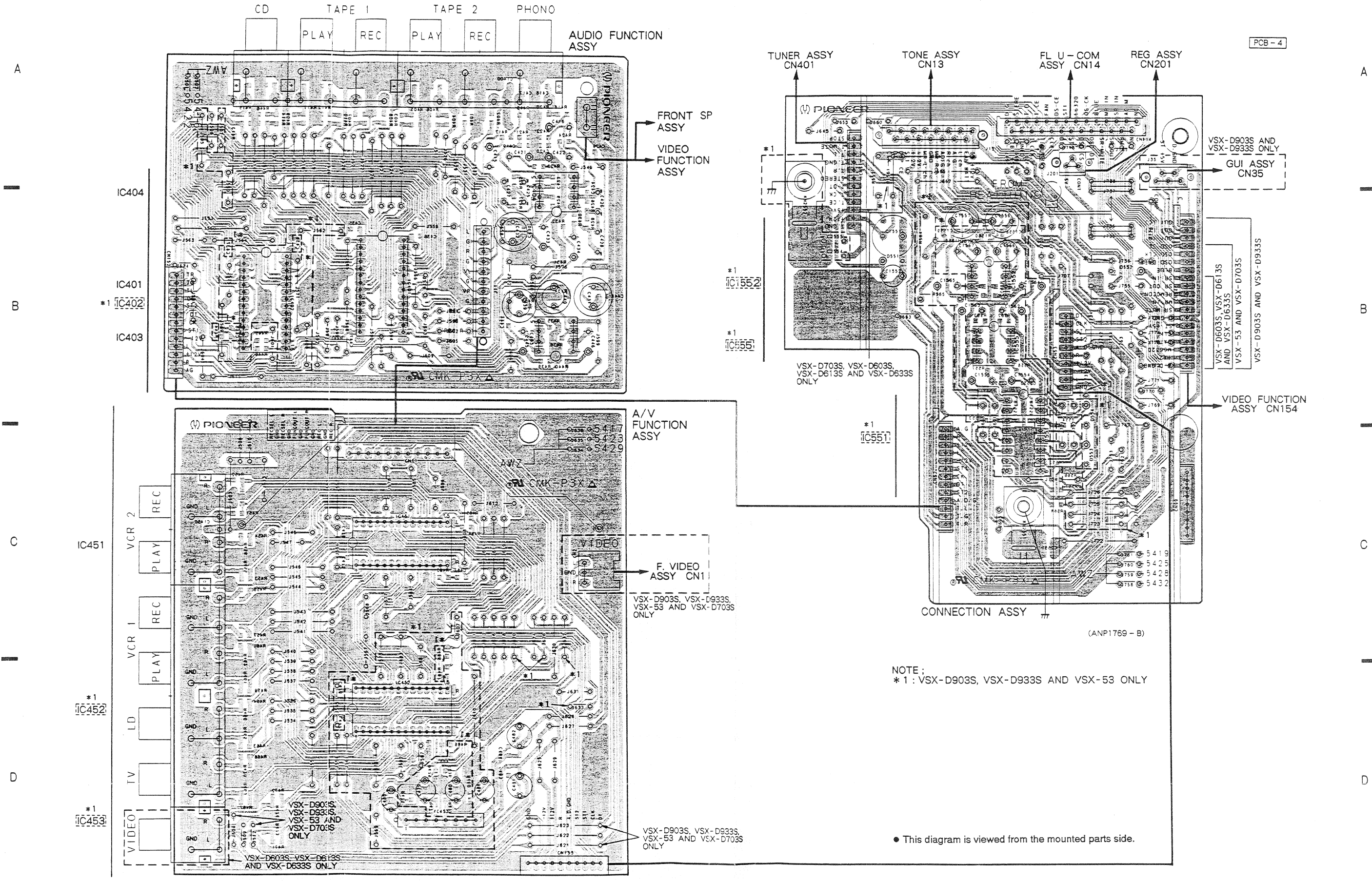
4

3

5

1

5.5 AUDIO FUNCTION, A/V FUNCTION AND CONNECTION ASSEMBLIES



A

B

C

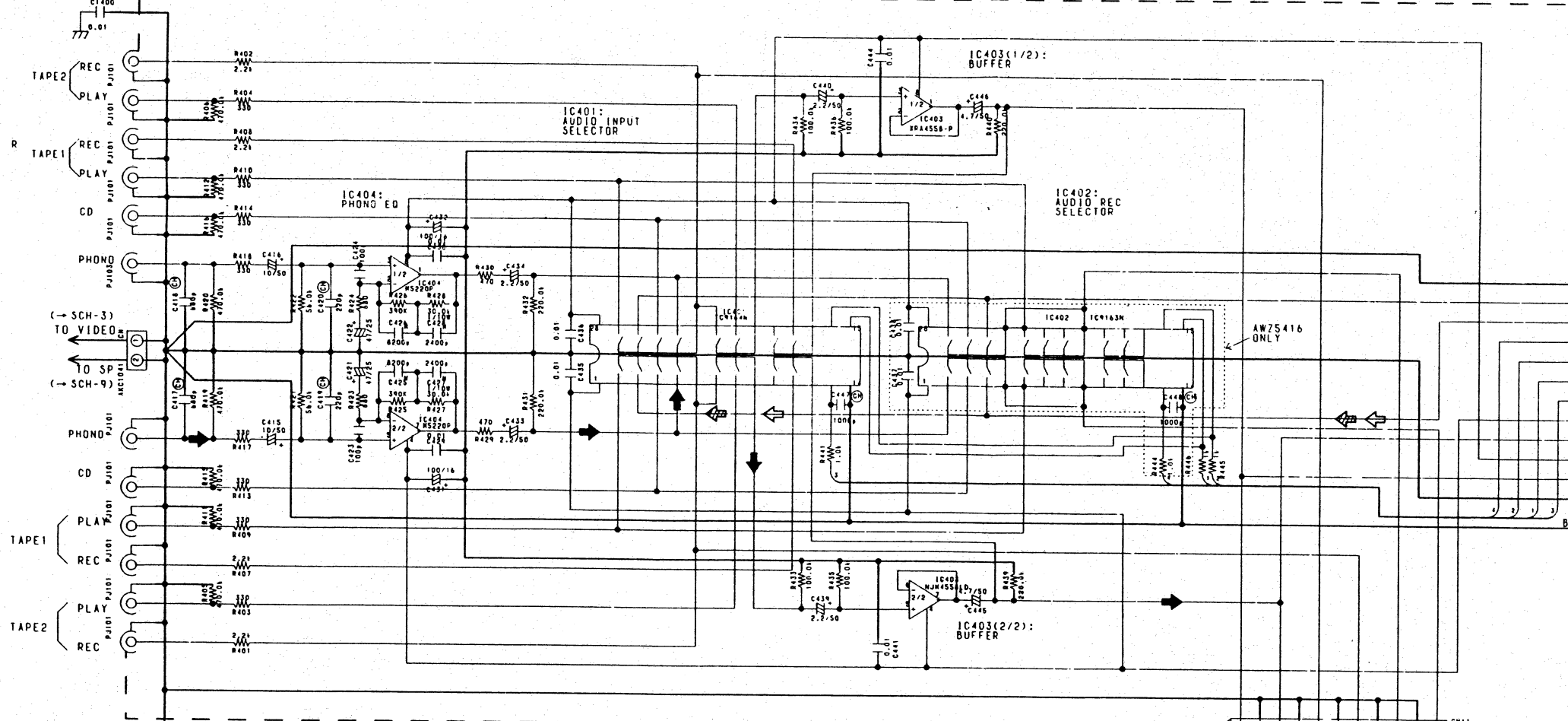
D

E

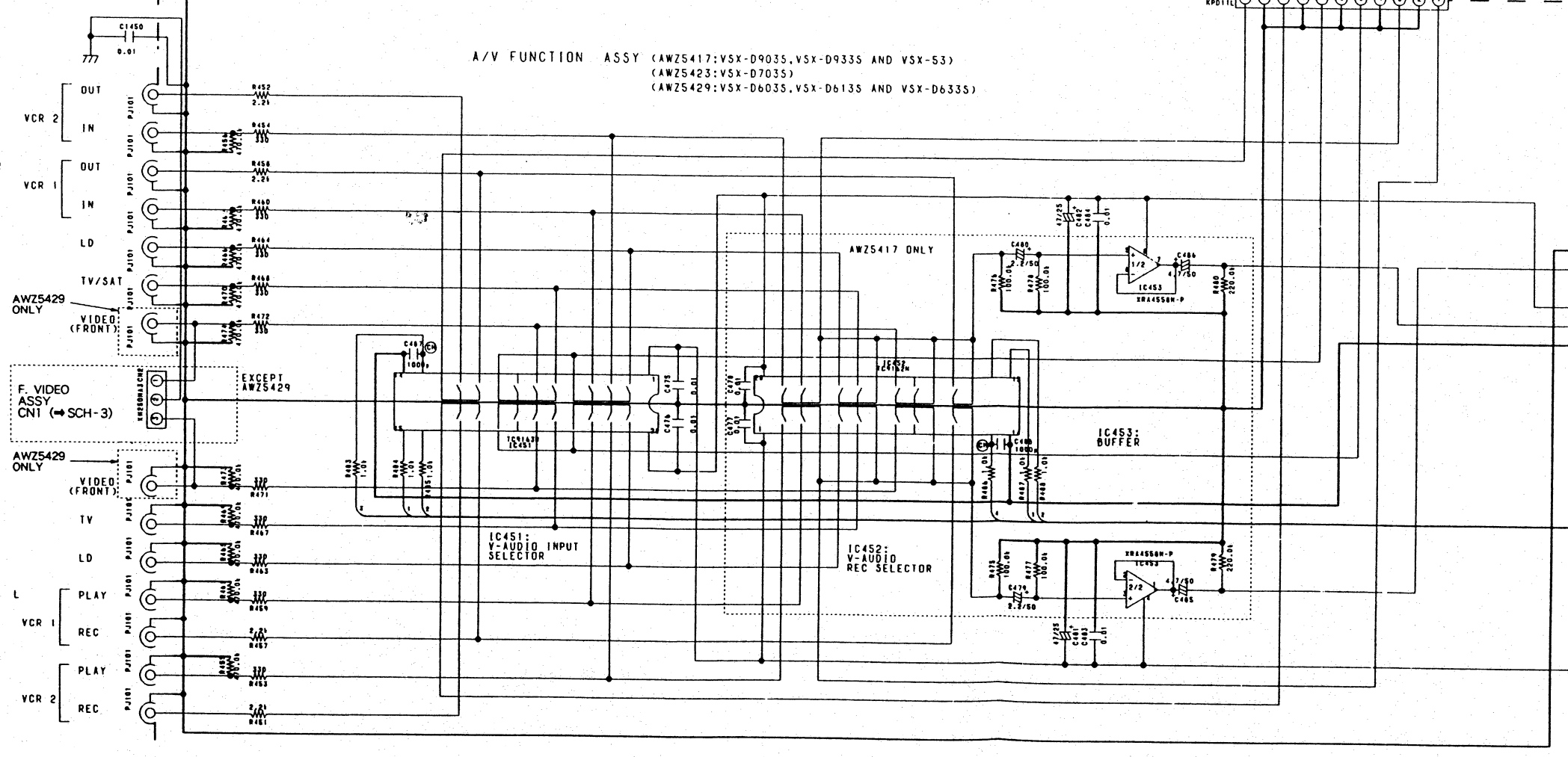
F

➔: Front audio signal route
 ⬇: FM signal route (Lch)
 ⬆: AM signal route (Lch)
 DIODES
 Other diodes (not noted) are H55104-02

AUDIO FUNCTION ASSY
 (AWZ5416: VSX-D903S AND VSX-D933S)
 (AWZ5728: VSX-53)
 (AWZ5422: VSX-D703S, VSX-D603S, VSX-D613S AND VSX-D633S)



A/V FUNCTION ASSY (AWZ5417: VSX-D903S, VSX-D933S AND VSX-53)
 (AWZ5423: VSX-D703S)
 (AWZ5429: VSX-D603S, VSX-D613S AND VSX-D633S)



SCH-5

AUDIO FUNCTION ASSY,
 A/V FUNCTION ASSY,
 CONNECTION ASSY

5.6 TONE, VOL AND F. MUTE ASSEMBLIES

A

B

C

D

E

F

VOL

(AWZ5

(AWZ5

DC.

SI

SI

SI

SI

SI

SI

SI

SI

SI

SI

SI

SI

SI

SI

SI

SI

SI

SI

SI

SI

SI

SI

SI

SI

SI

SI

SI

SI

SI

SI

SI

SI

SI

SI

SI

SI

SI

SI

SI

SI

SI

SI

SI

SI

SI

SI

SI

SI

SI

SI

SI

SI

SI

SI

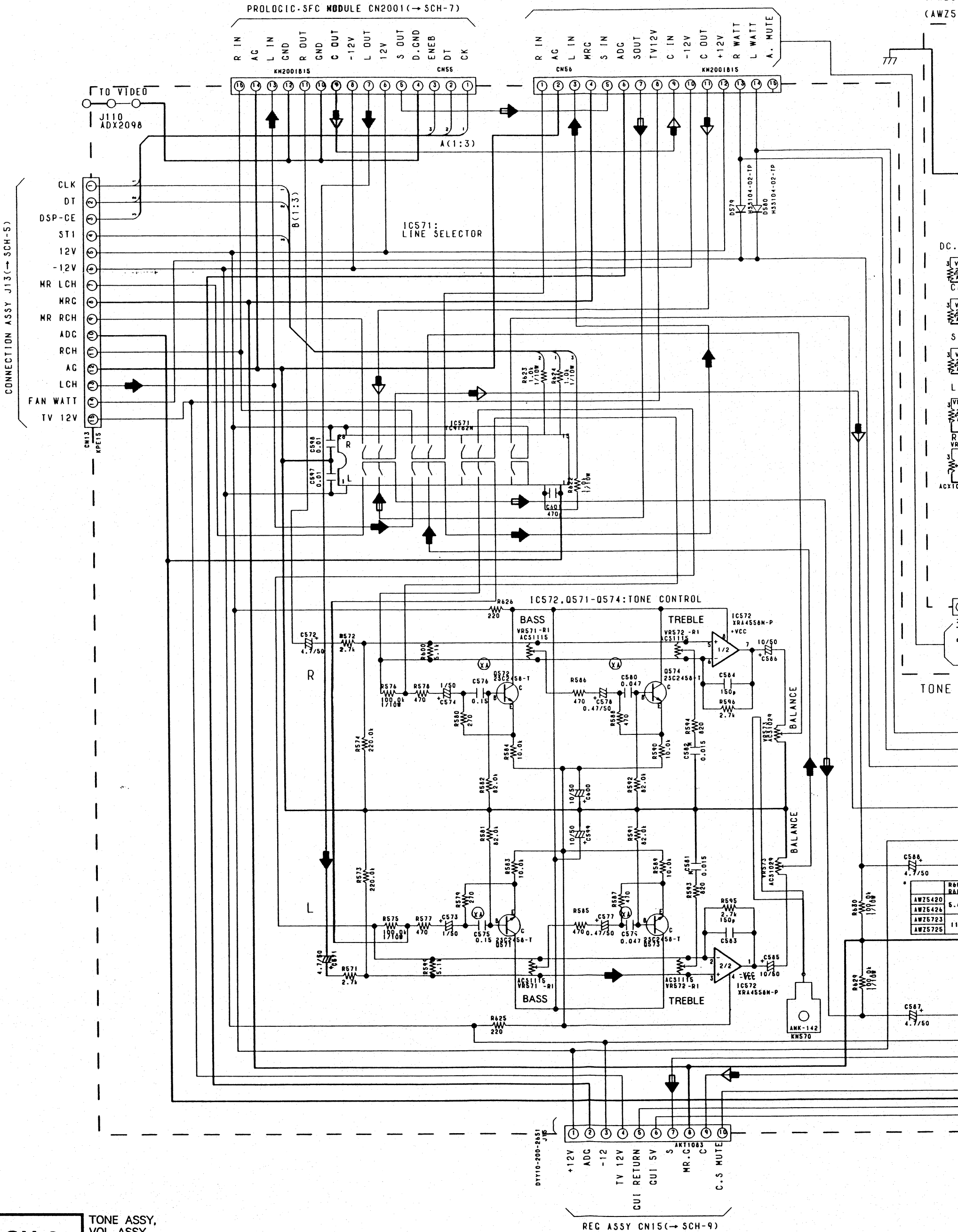
SI

SI

SI

SI

SI



SCH-6

TONE ASSY,
VOL ASSY,
F. MUTE ASSY

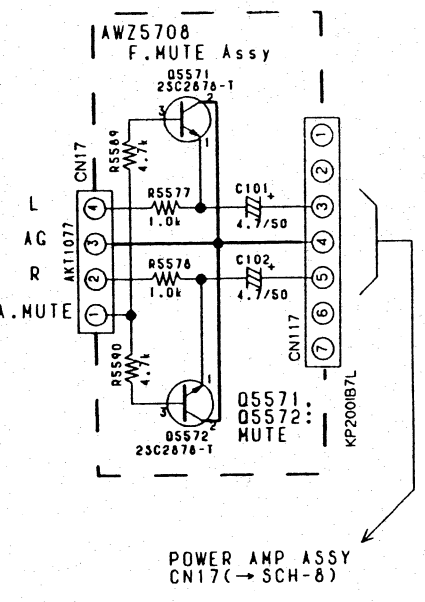
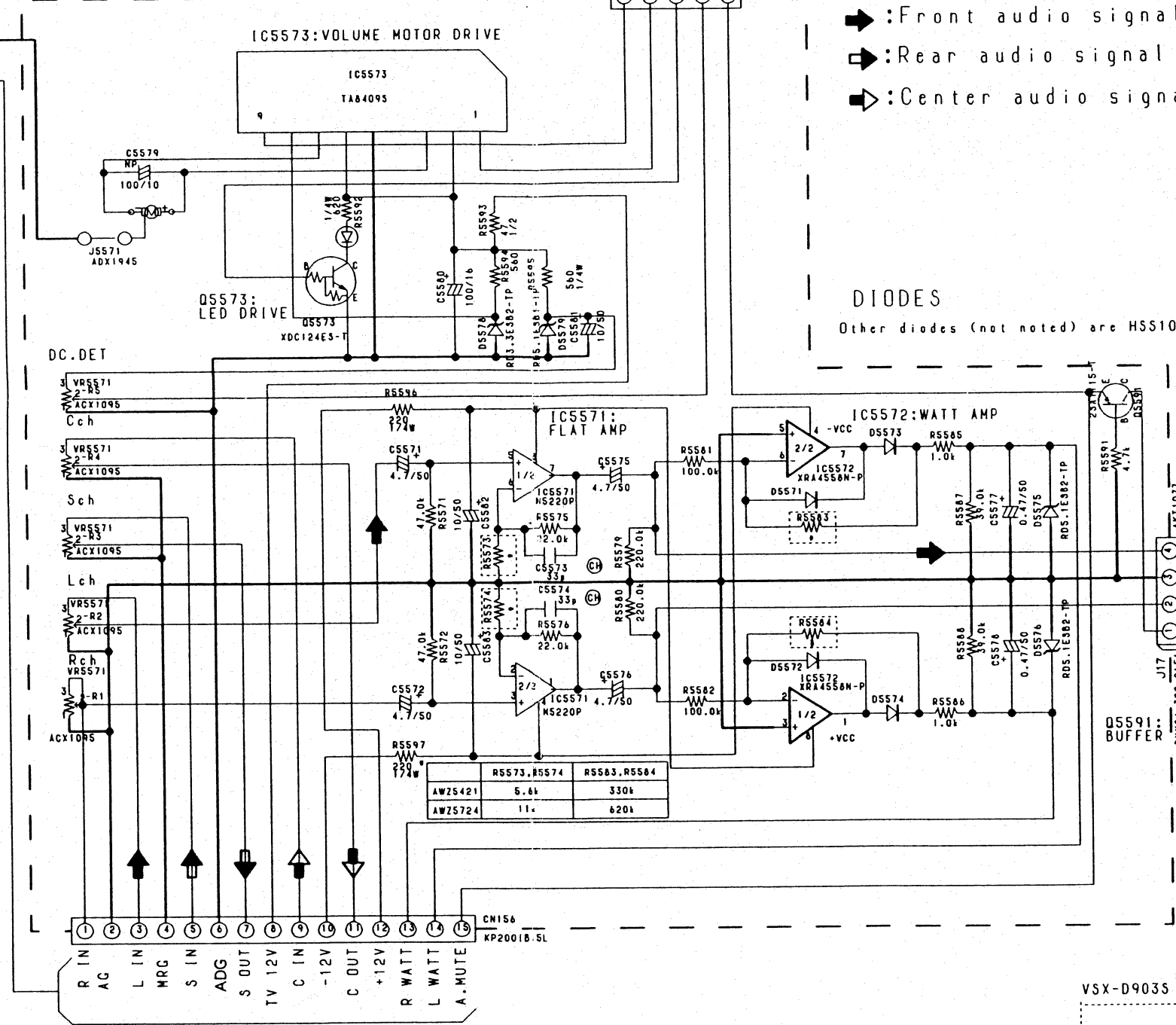
SCH-6

VOL ASSY
(AWZ5421:KU,KC,SD AND KU/CA TYPES)
(AWZ5724:HL TYPE)

FL U-COM ASSY
J16(→SCH-11)

- ➔: Front audio signal route (Lch)
- ➡: Rear audio signal route (Sch)
- ➞: Center audio signal route

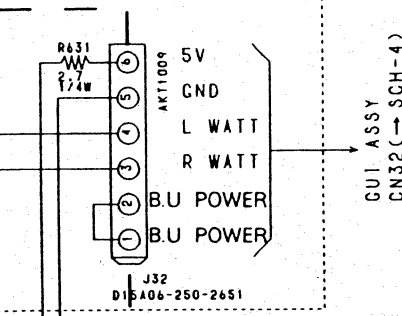
DIODES
Other diodes (not noted) are HSS104-02



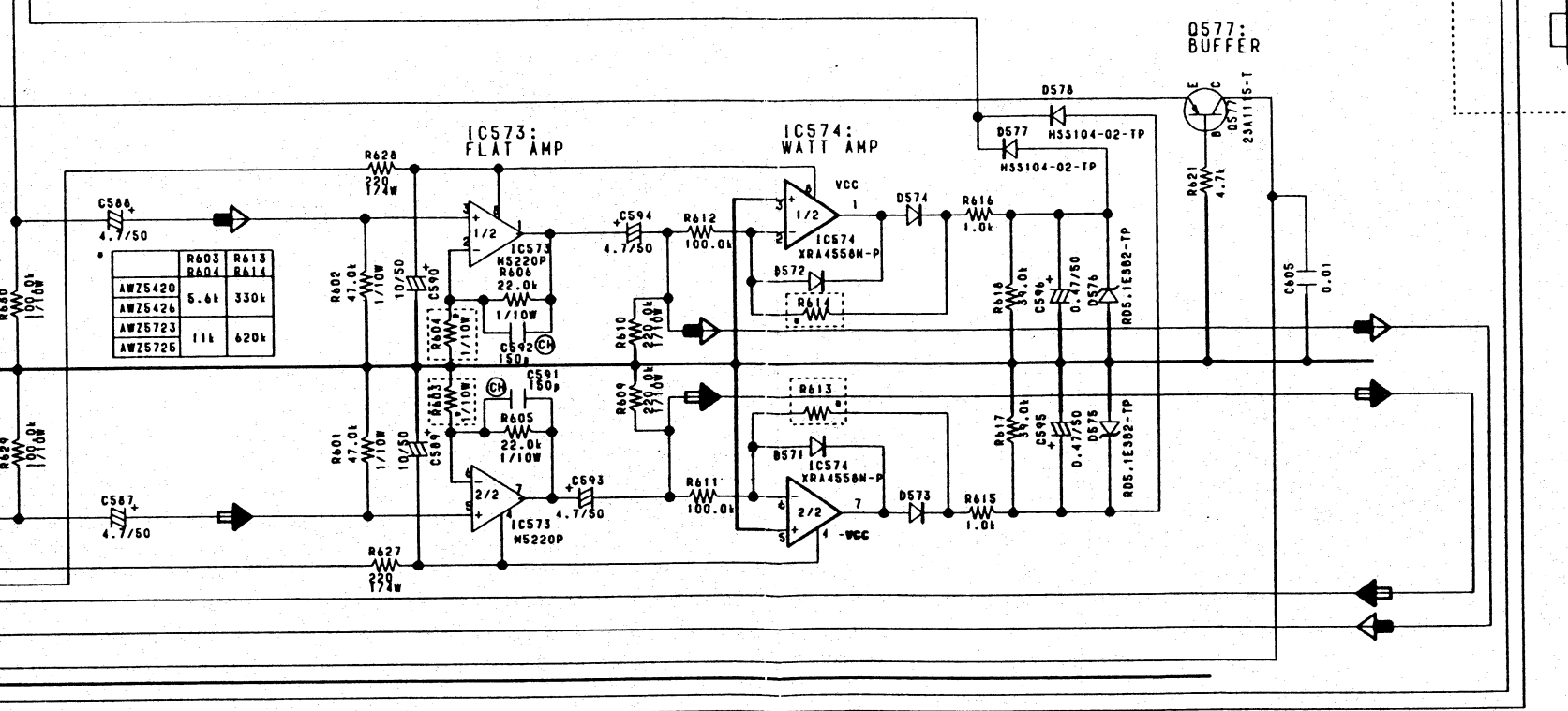
POWER AMP ASSY
CN17(→SCH-8)

TONE ASSY (AWZ5420:VSX-D903S)
(AWZ5723:VSX-D933S)
(AWZ5426:VSX-D703S, VSX-53, VSX-D603S AND VSX-D613S)
(AWZ5725:VSX-D633S)

VSX-D903S AND VSX-D933S ONLY



CUI ASSY
CN32(→SCH-4)

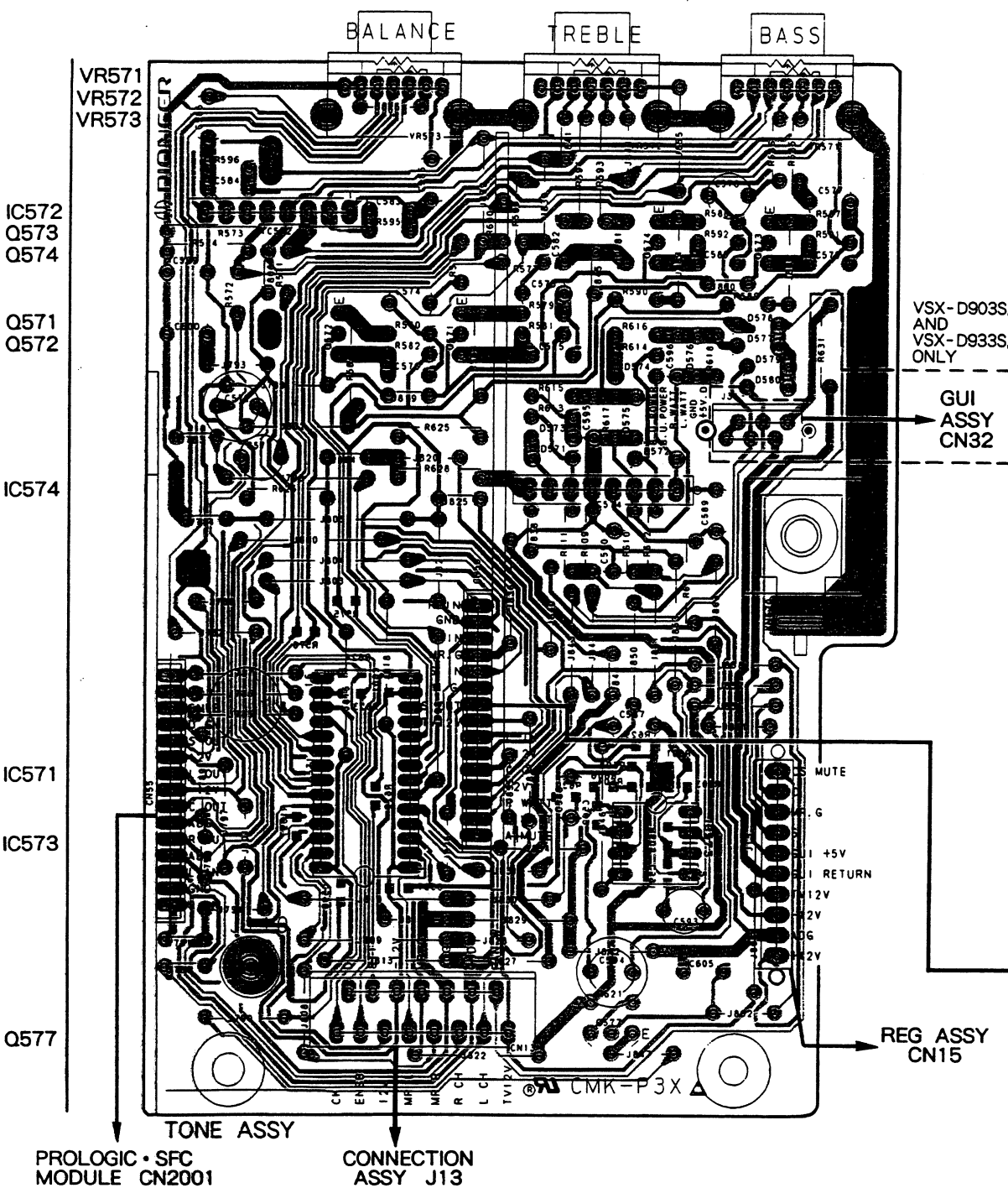


TONE ASSY,
VOL ASSY,
F. MUTE ASSY

SCH-6

PCB - 5

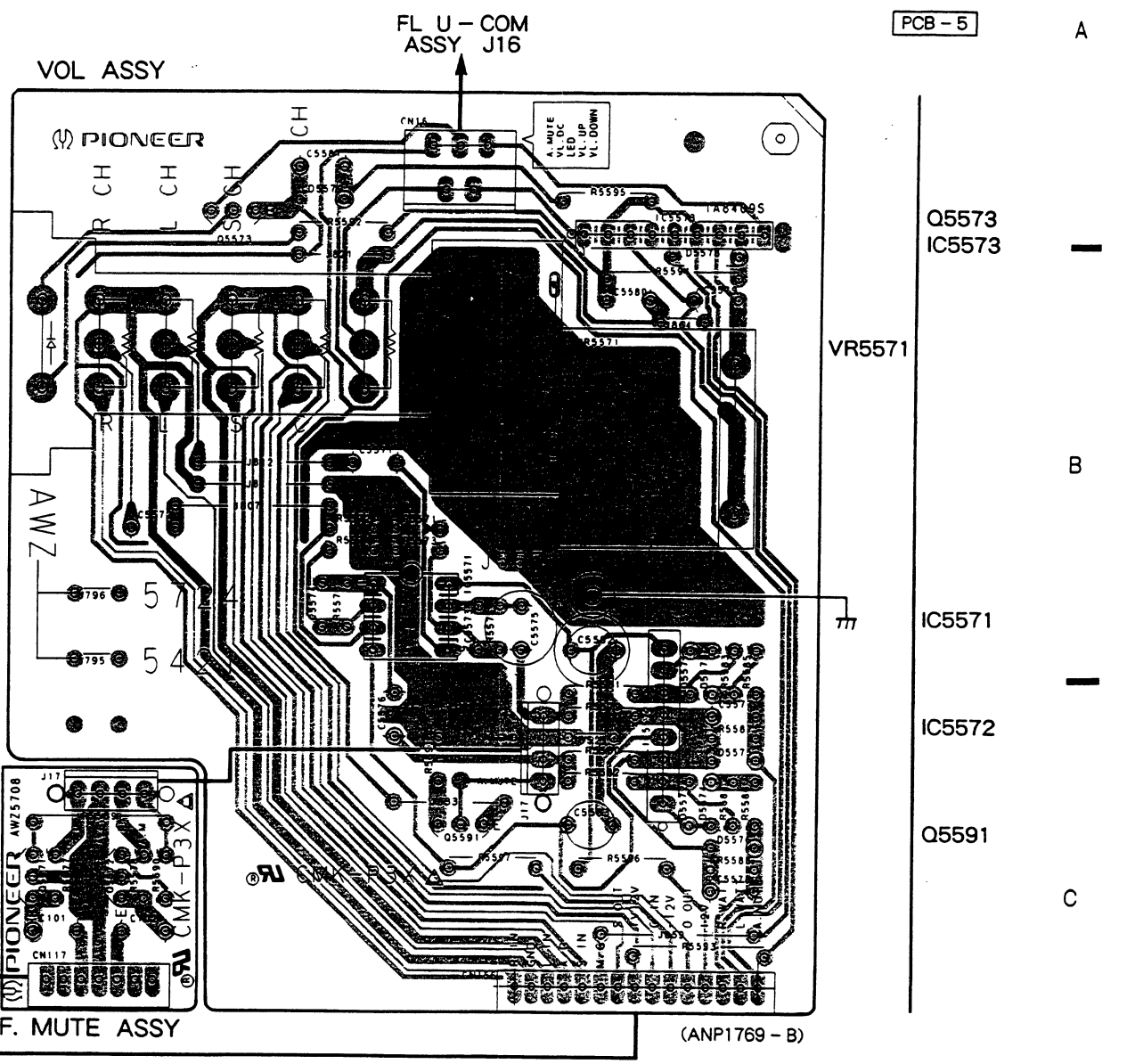
A



B

C

D



A

B

C

D

• This diagram is viewed from the mounted parts side.

V2X-D613, V2X-D603, V2X-D633, V2X-D333, V2X-53, V2X-D1032, V2X-D933, V2X-D333, V2X-D333

A

PCB-8

IC253

B

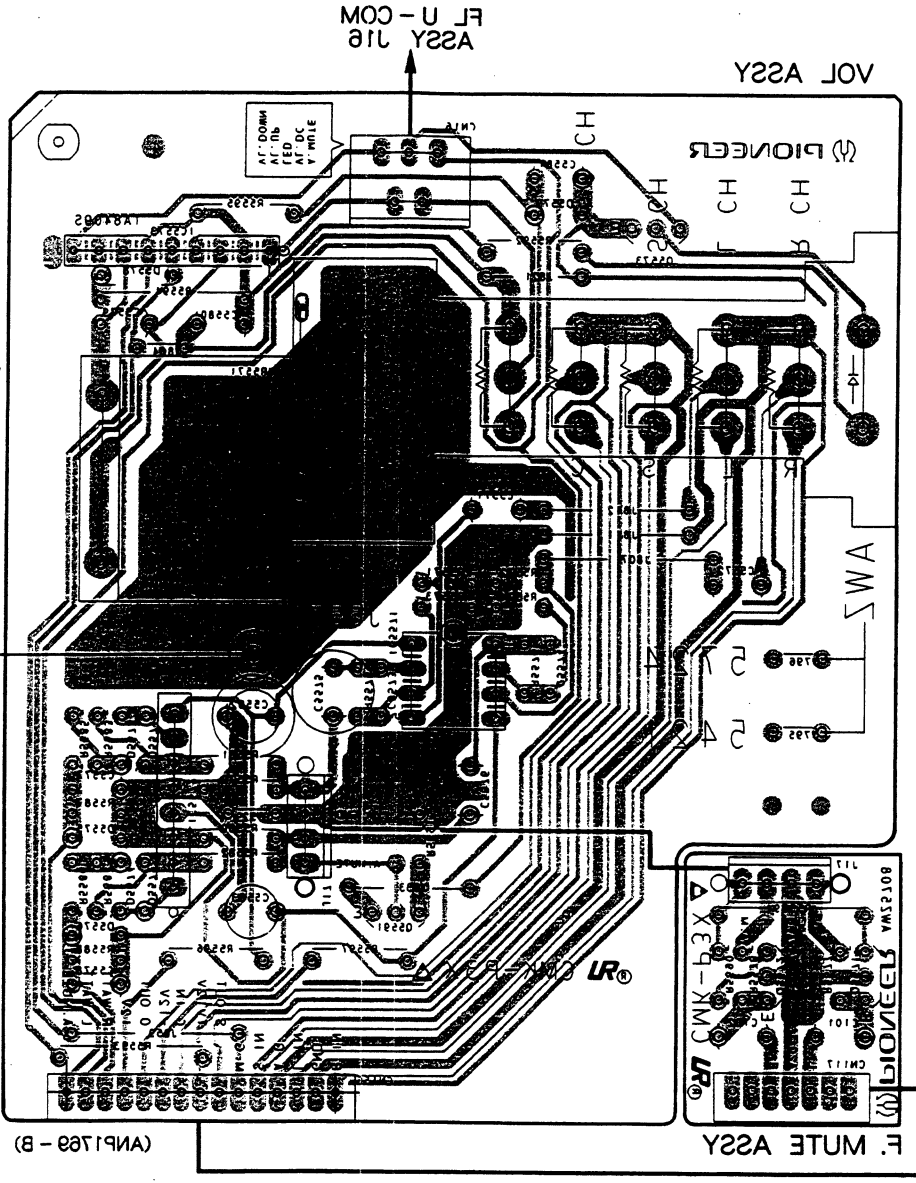
IC251

IC252

C

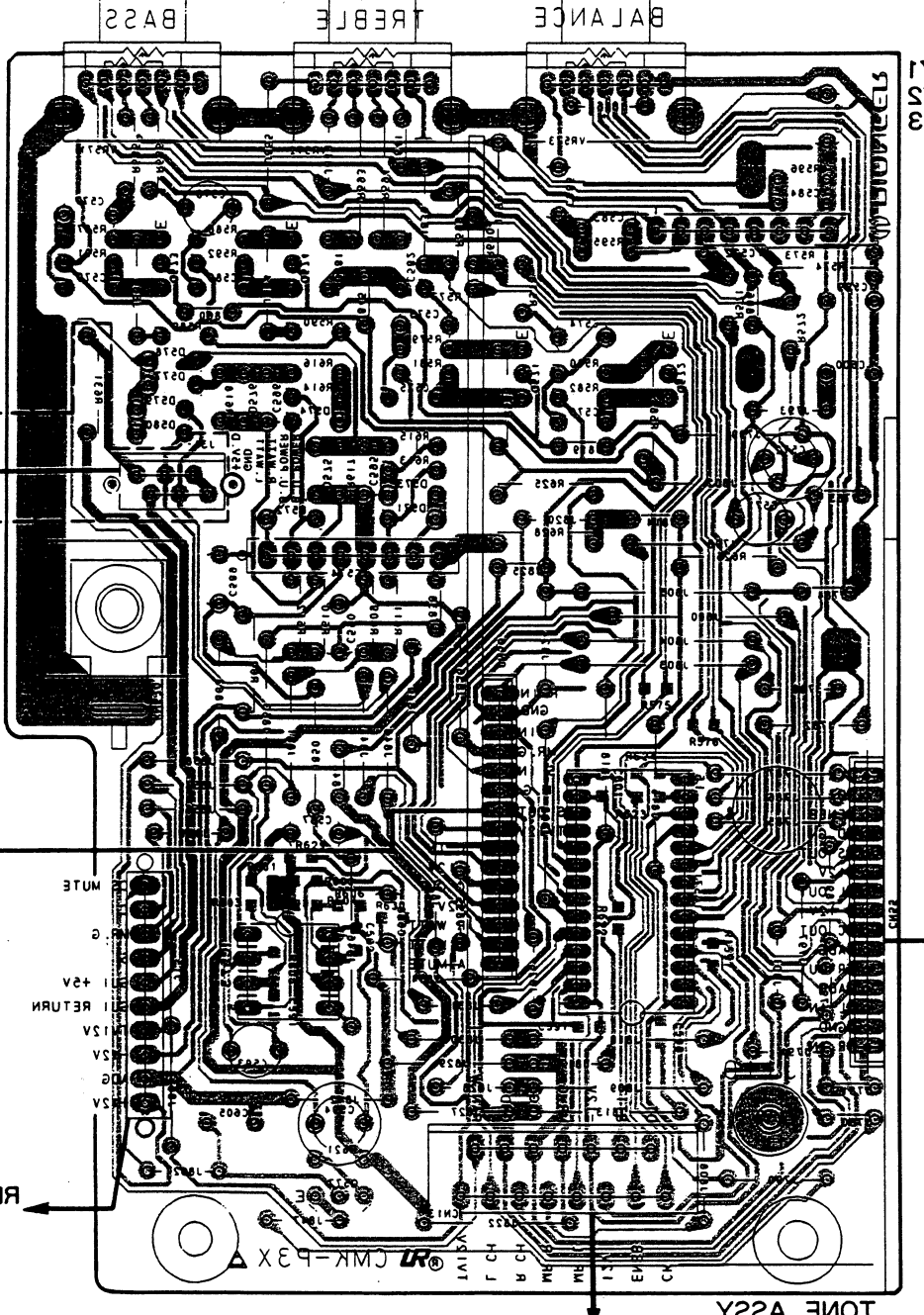
Q251

D



• This diagram is viewed from the foil side.

3



REG ASSY CN15

GUI ASSY CN32

ONLY V2X-D333 AND V2X-D6032, V2X-D6033

MUTE

RETURN

1.5V

2V

3V

3V

3V

3V

3V

3V

3V

3V

3V

3V

3V

ASSY J13 CONNECTION

ASSY TONE

MODULE CN5001 LOGIC - SFC

A

B

C

D

VR271 VR272 VR273

IC273 IC274 IC275 IC271

IC274

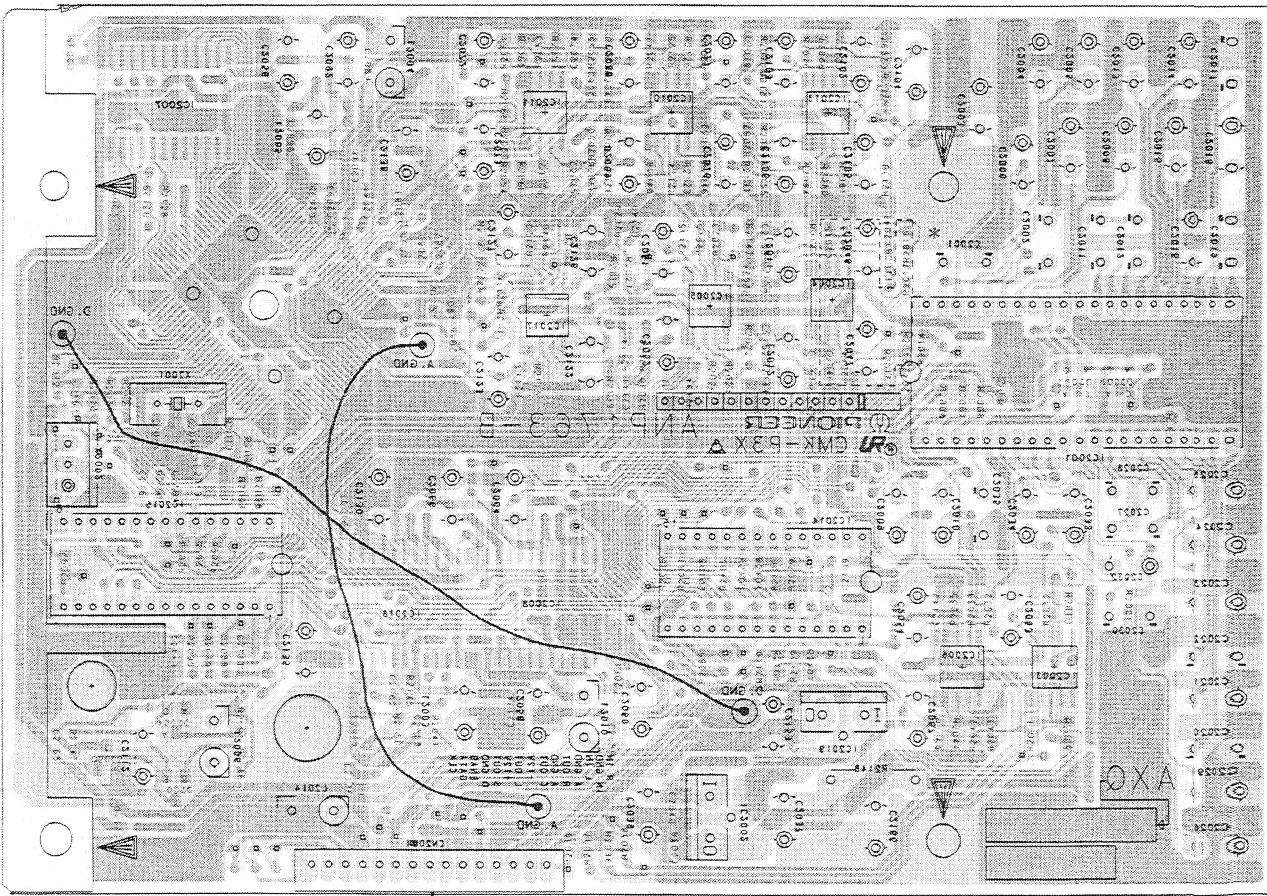
IC271 IC273

Q271

5.7 PROLOGIC • SFC MODULE

PCB - 8

ICS003 ICS008 ICS018 ICS018 ICS005 ICS008 ICS018 ICS018 ICS004 ICS014 ICS008 ICS013 ICS013 ICS013 ICS015 ICS007 ICS007 GS001 GS005



CMS TONE ASSEY

- This diagram is viewed from the gray colored foil side
- This PCB is double sided.

NOTE: Parts marked * are replaced as follows. (PCB diagram shows for VSX-D7032, VSX-D6032, VSX-D6123 and VSX-D6322)

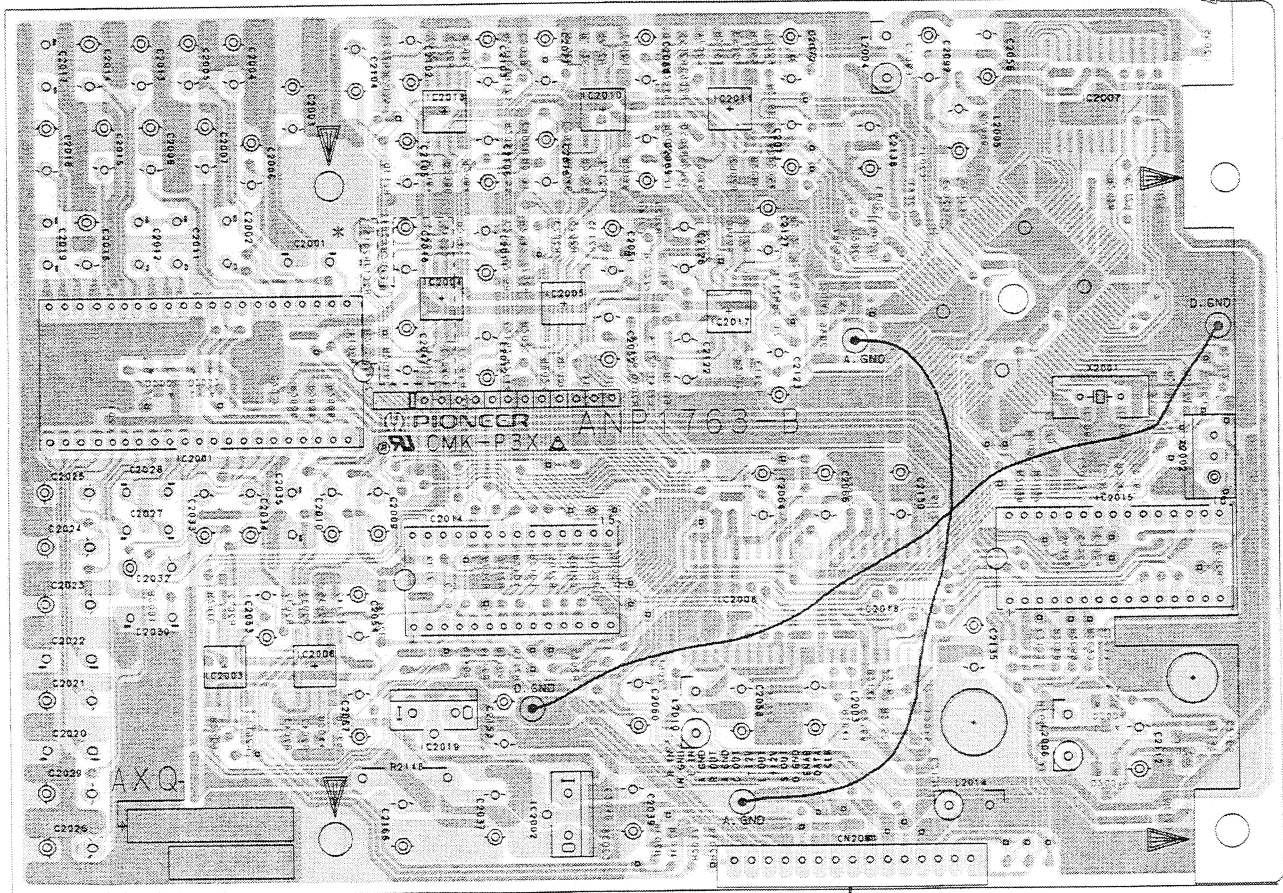
VSX-D6123 AND VSX-D6322	VSX-D7032, VSX-D6032 AND VSX-D6322
R2158	C046
R2159	C045
R2157	C044
R2153	C043
R2172	R5018
R2171	R5017
C2170	R5016
C2169	R5015

5.7 PROLOGIC • SFC MODULE

PCB - 6

IC2001 IC2003 IC2006 IC2013 IC2004 IC2019 IC2014 IC2017 IC2005 IC2002 IC2010 IC2018 IC2011 IC2012 IC2007 IC2015 G2001 G2002

PROLOGIC • SFC MODULE



- This diagram is viewed from the pink colored foil side.
- This PCB is double sided.

TONE ASSY
CN55

NOTE: Parts marked * are replaced as follows.
 (PCB diagram shows for VSX-D703S, VSX-D603S, VSX-D613S and VSX-D633S.)

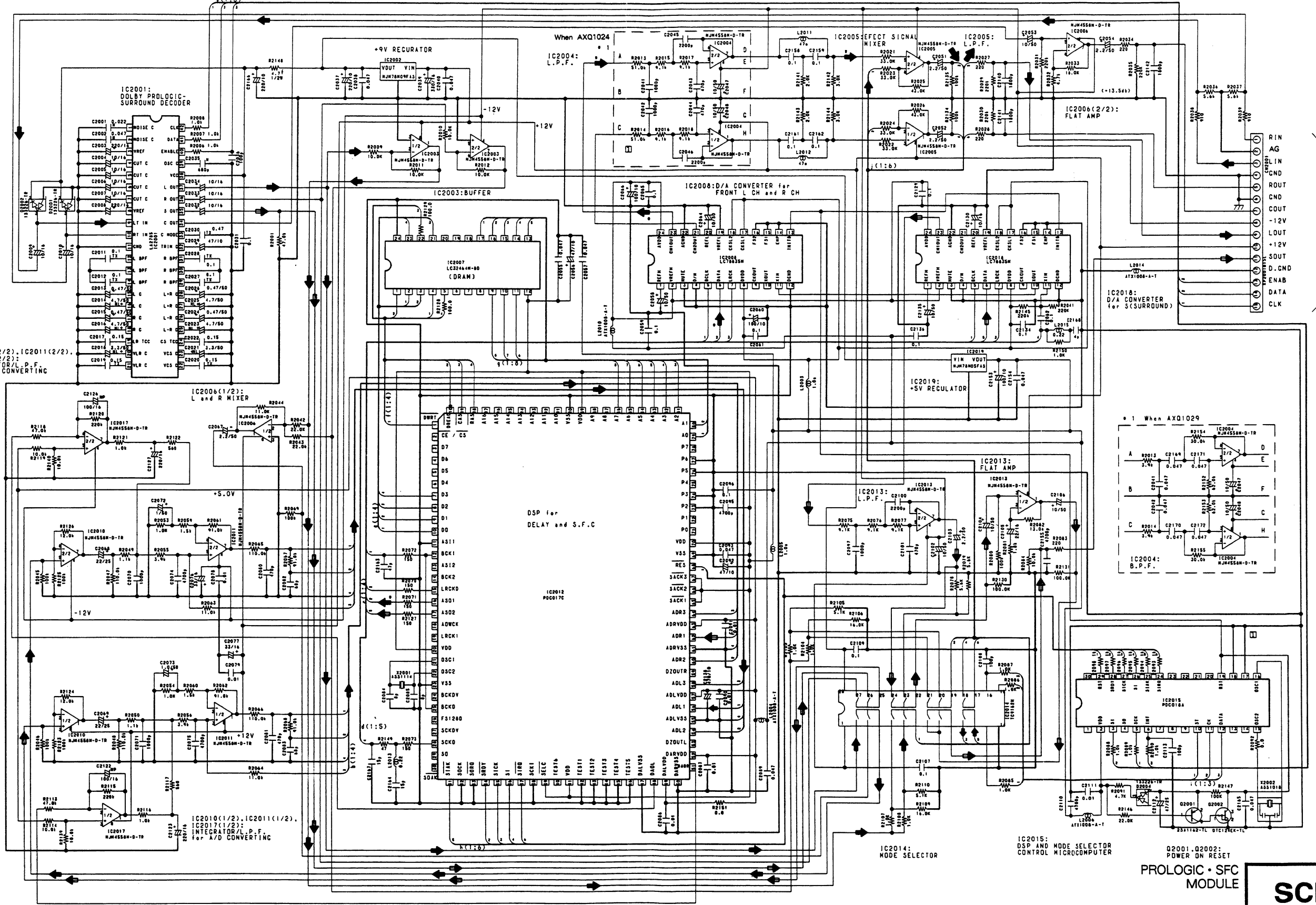
VSX-D703S, VSX-D603S, VSX-D613S AND VSX-D633S	VSX-D903S, VSX-D933S AND VSX-53
R2015	C2169
R2016	C2170
R2017	C2171
R2018	C2172
C2043	R2152
C2044	R2153
C2045	R2154
C2046	R2155

VSX-D903S, VSX-D933S, VSX-53, VSX-D703S,
VSX-D613S, VSX-D603S, VSX-D633S

SCH-7

PROLOGIC-SFC MODULE (AXQ1029:VSX-D903S,VSX-D933S AND VSX-53)
(AXQ1024:VSX-D703S,VSX-D603S SERIES,VSX-D613S AND VSX-D633S)

- ▶ :Front audio signal route(Lch)
- ▶ :Center audio signal route
- ▶ :Rear audio signal route(Sch)
- ▶ :Effect signal route(Lch)

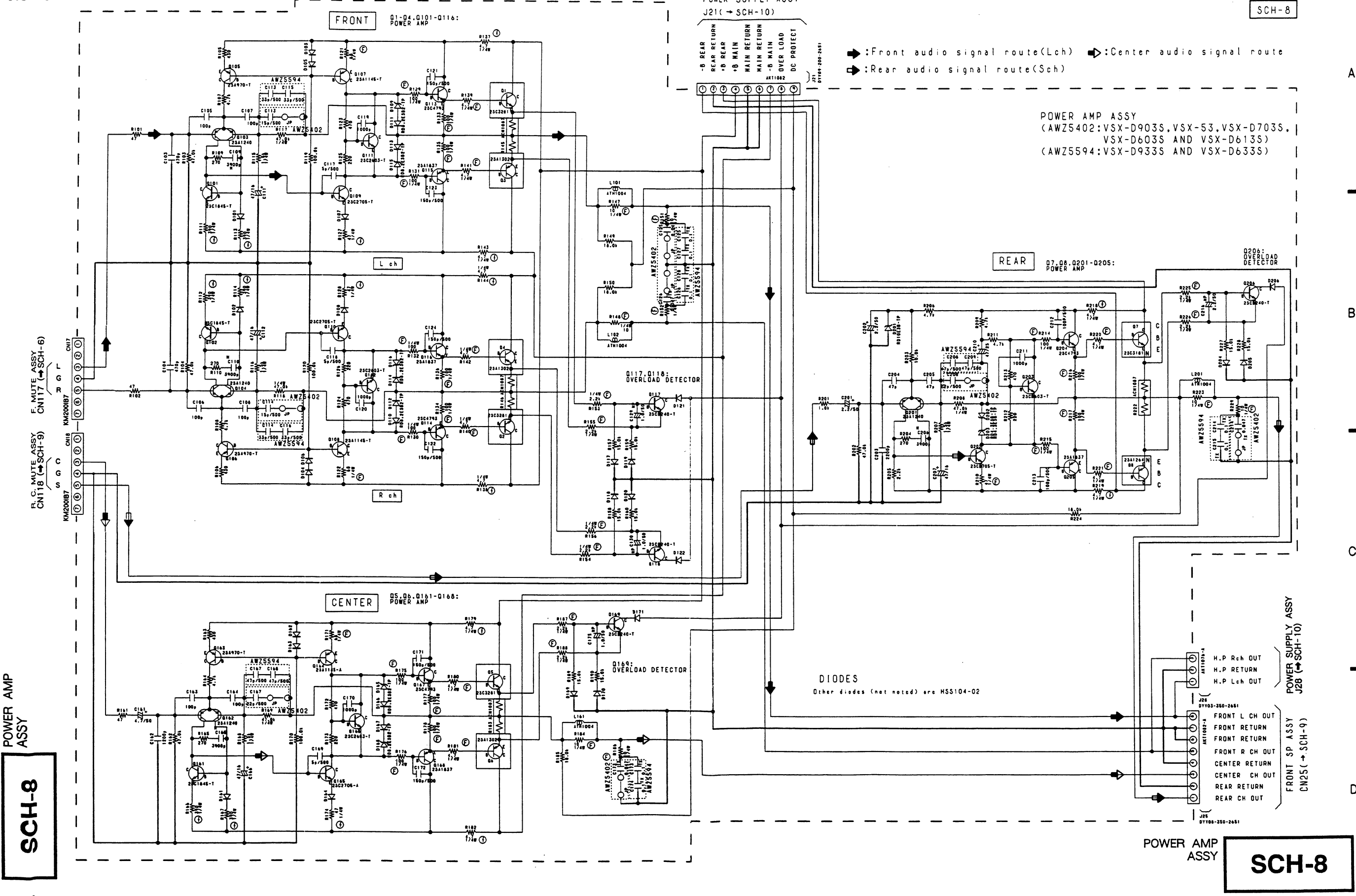


PROLOGIC-SFC
MODULE
SCH-7

PROLOGIC-SFC
MODULE

SCH-7

5.8 POWER AMP ASSY



SCH-8

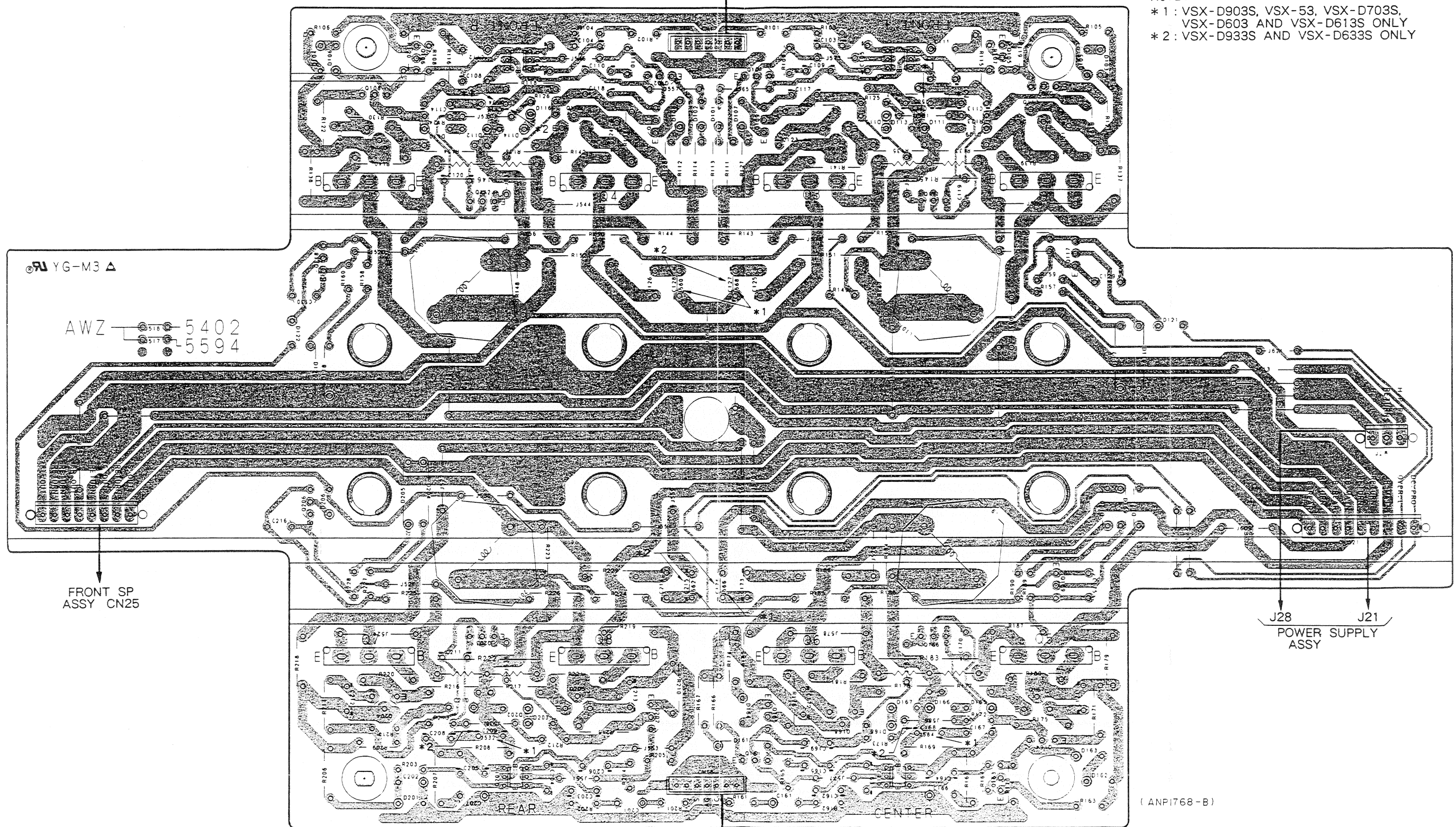
SCH-8

**VSX-D903S, VSX-D933S, VSX-53, VSX-D703S,
VSX-D613S, VSX-D603S, VSX-D633S**

PCB - 7

Q106 Q104 Q116 Q103 Q105 Q107
 Q108 Q112 Q116 Q115 Q111 Q107
 Q118 Q2 Q114 Q203 Q4 Q8 Q110 Q102 Q3 Q115 Q111 Q113 Q107
 Q206 Q7 Q204 Q201 Q205 Q202 Q101 Q109 Q6 Q166 Q5 Q167 Q169
 F. MUTE ASSY CN117 Q162 Q163 Q164

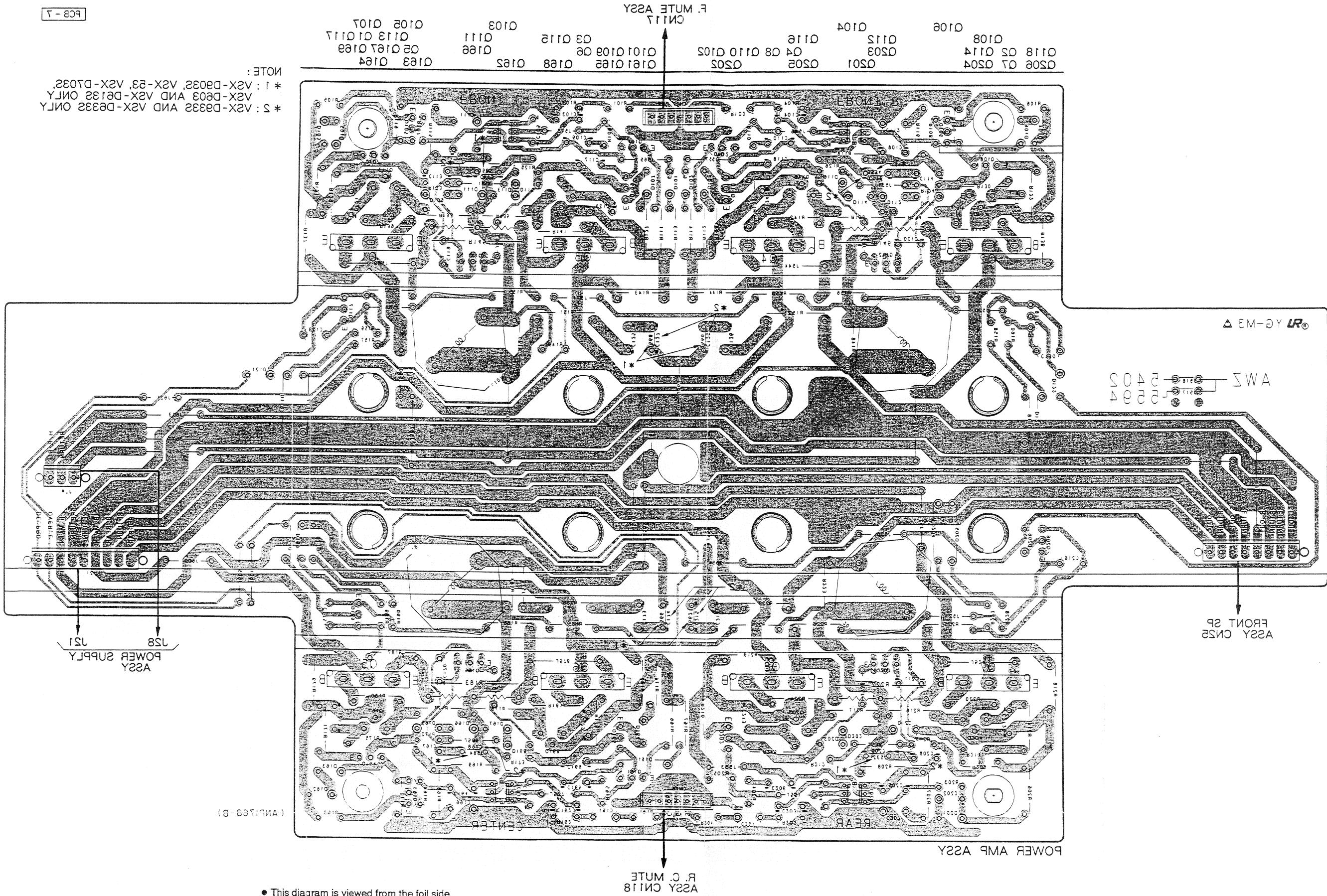
NOTE:
 * 1 : VSX-D903S, VSX-53, VSX-D703S,
 VSX-D603 AND VSX-D613S ONLY
 * 2 : VSX-D933S AND VSX-D633S ONLY



● This diagram is viewed from the mounted parts side.

PCB - 7

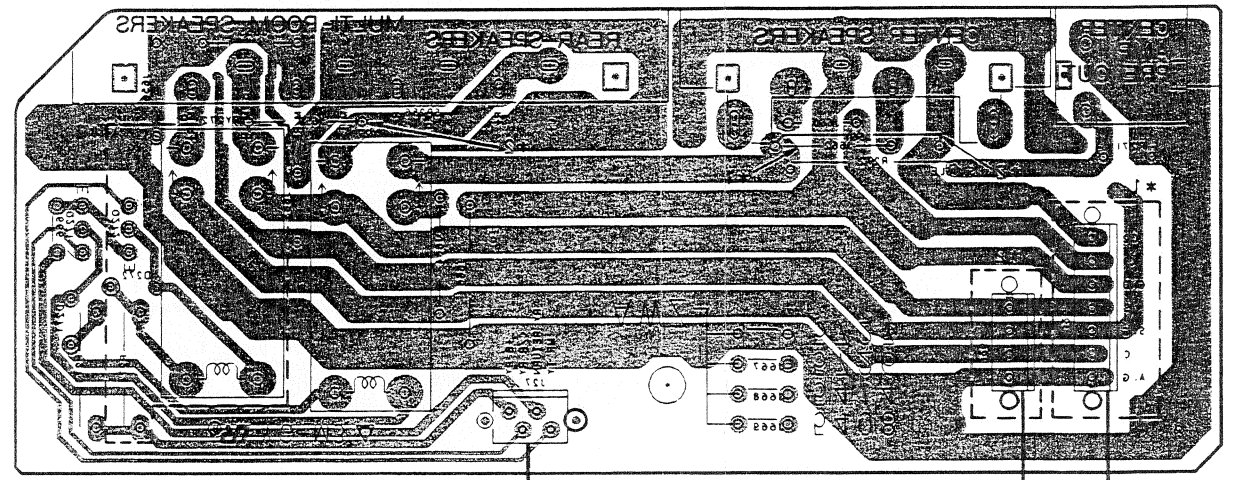
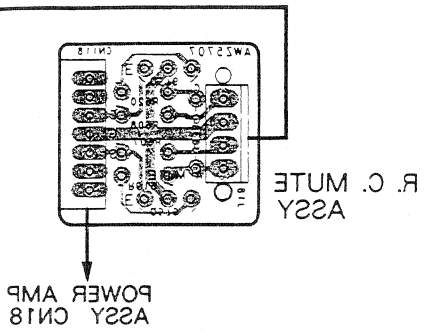
NOTE:
 * 1: V2X-D6032, V2X-63, V2X-D7032
 V2X-D603 AND V2X-D6132 ONLY
 * 2: V2X-D6332 AND V2X-D6332 ONLY



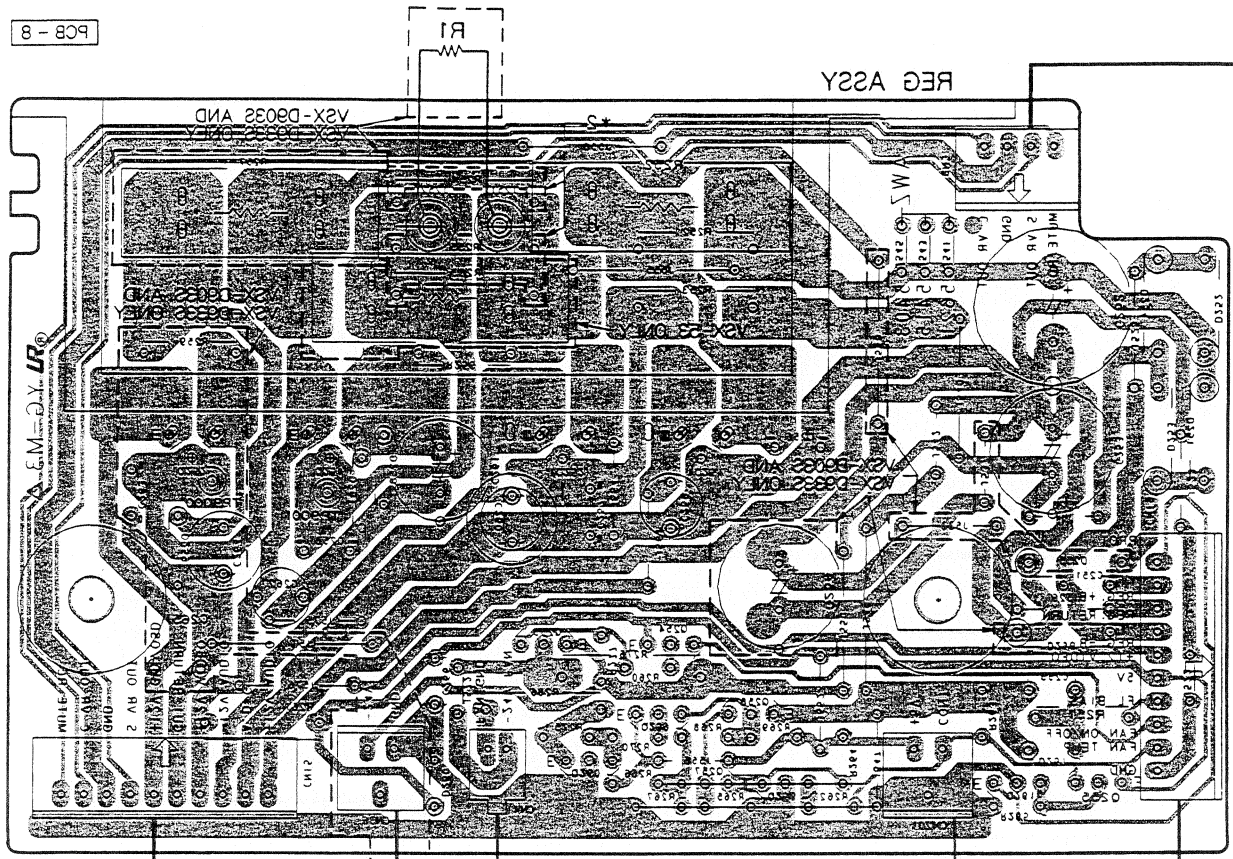
• This diagram is viewed from the foil side.

R. C. MUTE, FRONT SP AND R. C. SP ASSEMBLIES

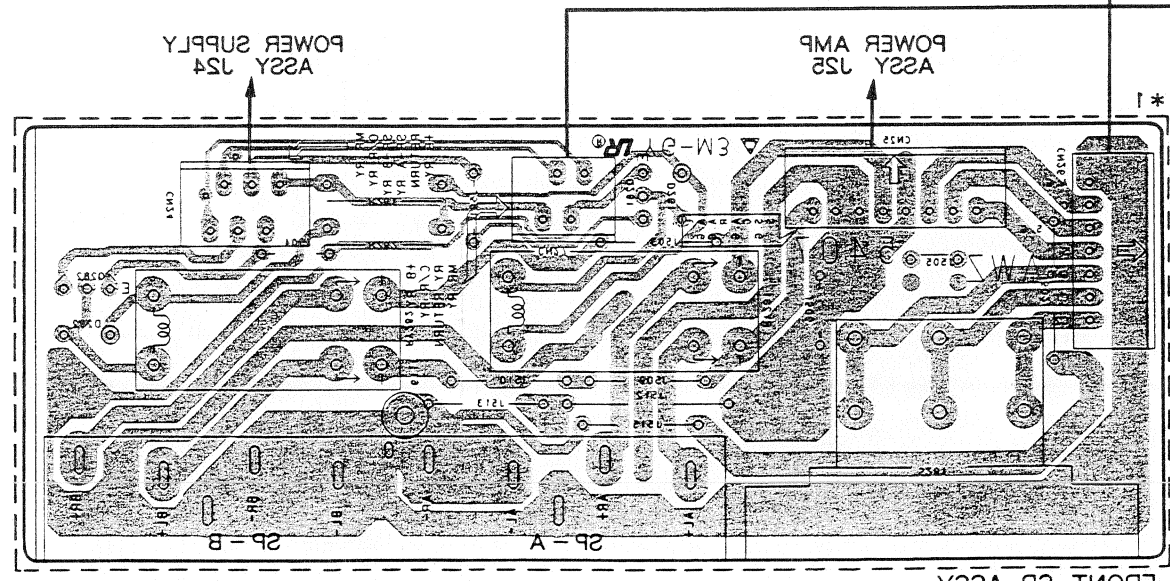
NOTE:
 * 1: V2X-D632, V2X-D633 AND V2X-53 ONLY
 * 2: V2X-D702, V2X-D632, V2X-D633 AND V2X-D635 ONLY



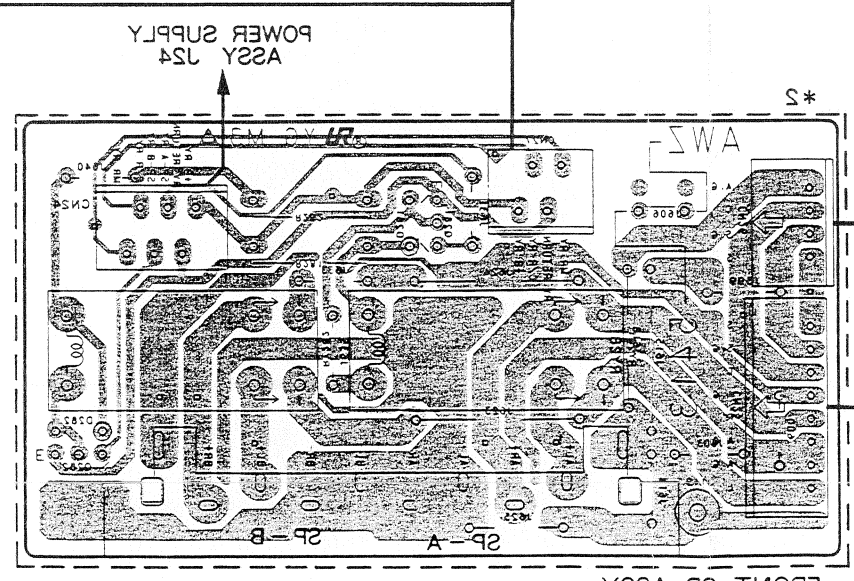
R. C. SP ASSY



REG ASSY
 POWER SUPPLY ASSY J19
 CONNECTION ASSY J201
 MOTOR
 FL-U-COM ASSY J36
 TONE ASSY J15



FRONT SP ASSY #1
 POWER SUPPLY ASSY J24
 POWER AMP ASSY J25



FRONT SP ASSY #2
 POWER SUPPLY ASSY J24
 POWER AMP ASSY J25

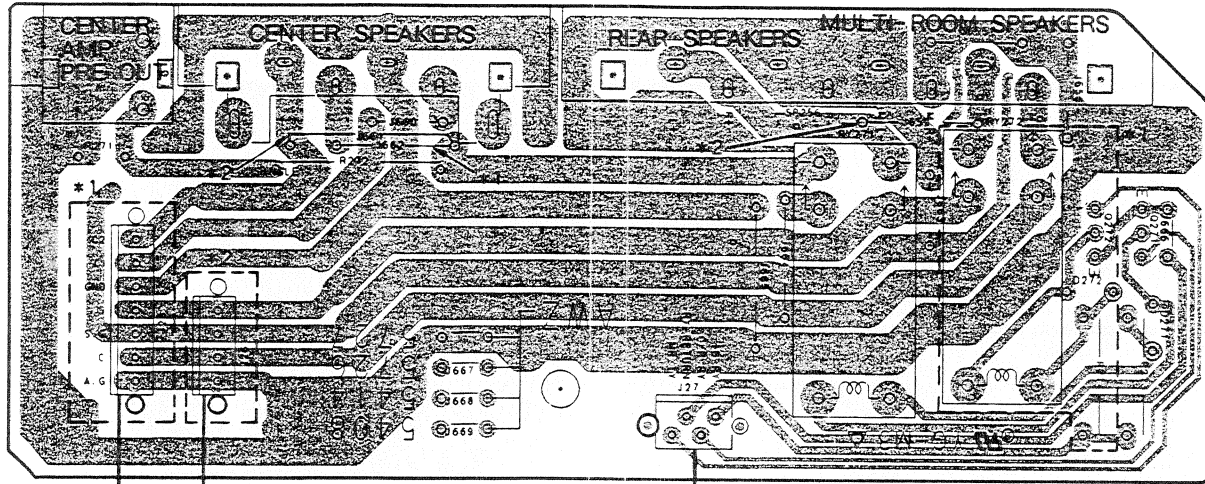
This diagram is viewed from the foil side.

(ANP168-B)

5.9 REG, R. C. MUTE, FRONT SP AND R. C. SP ASSEMBLIES

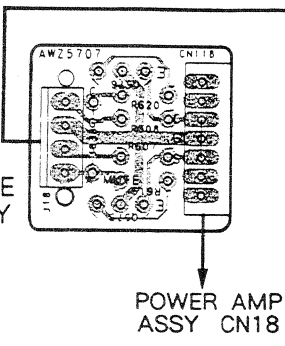
A

- NOTE:
* 1 : VSX-D903S, VSX-D933S AND VSX-53 ONLY
* 2 : VSX-D703S, VSX-D603S, VSX-D613S AND VSX-D633S ONLY

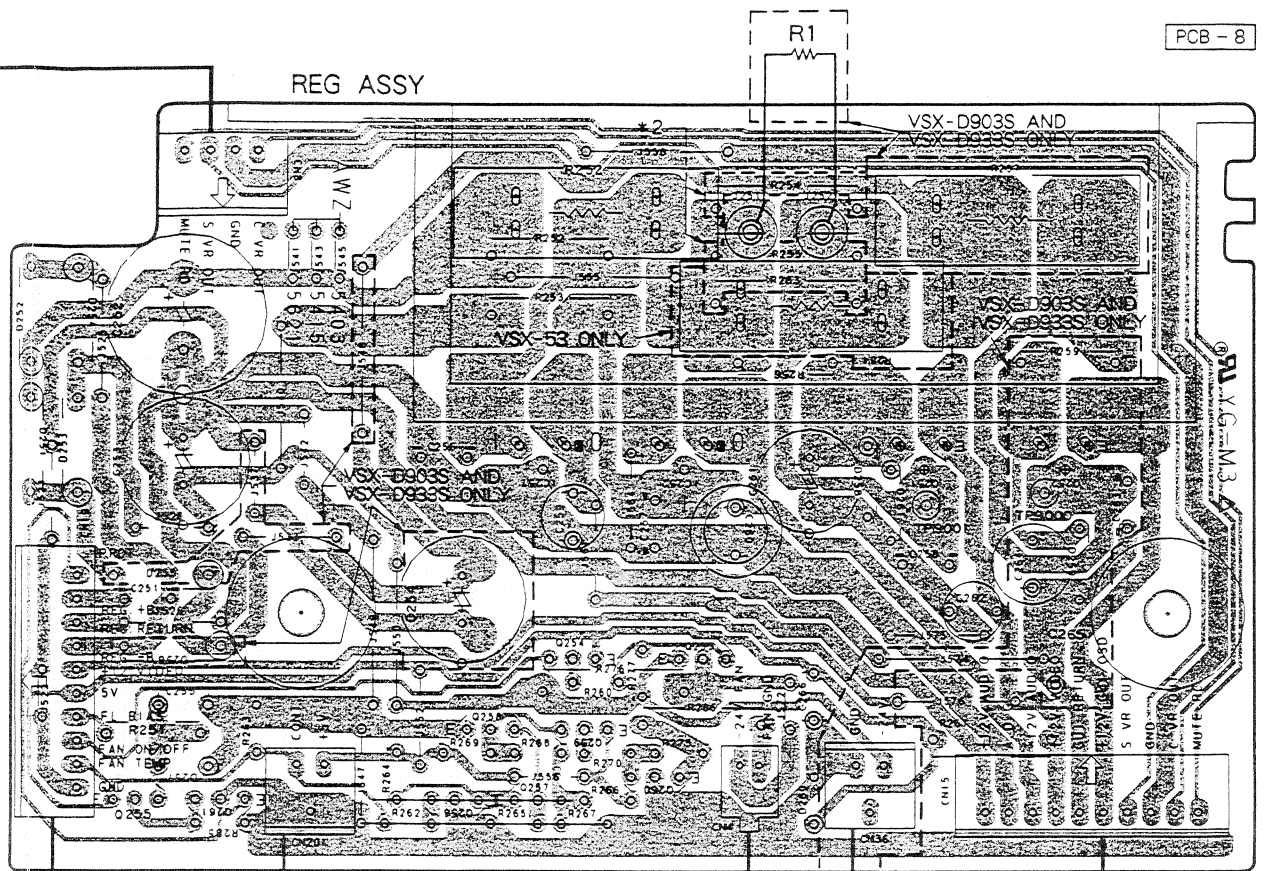


R. C. SP ASSY

R. C. MUTE ASSY



POWER AMP ASSY CN18

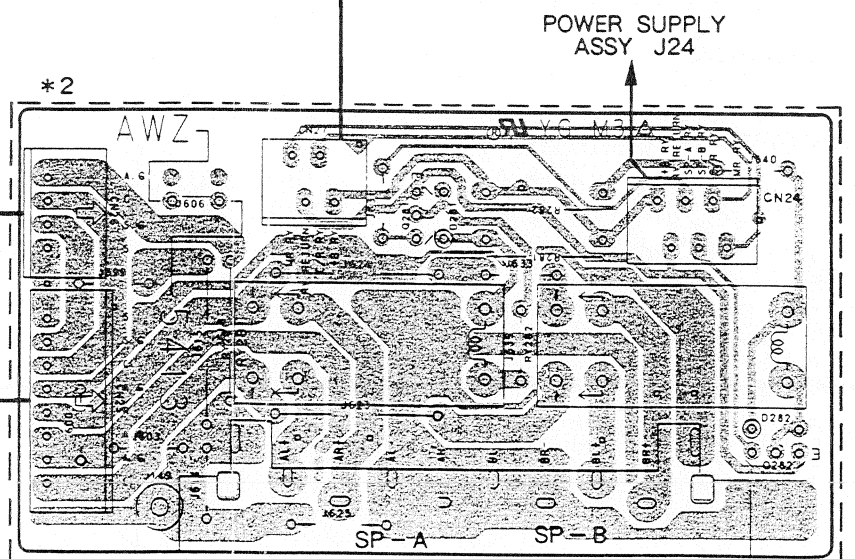


REG ASSY

PCB-8

- Q255 Q261 IC251 IC252 Q251 Q252
Q254 Q256-Q260
POWER SUPPLY ASSY J19 CONNECTION ASSY J201 FAN MOTOR FL U-COM ASSY J36 TONE ASSY J15

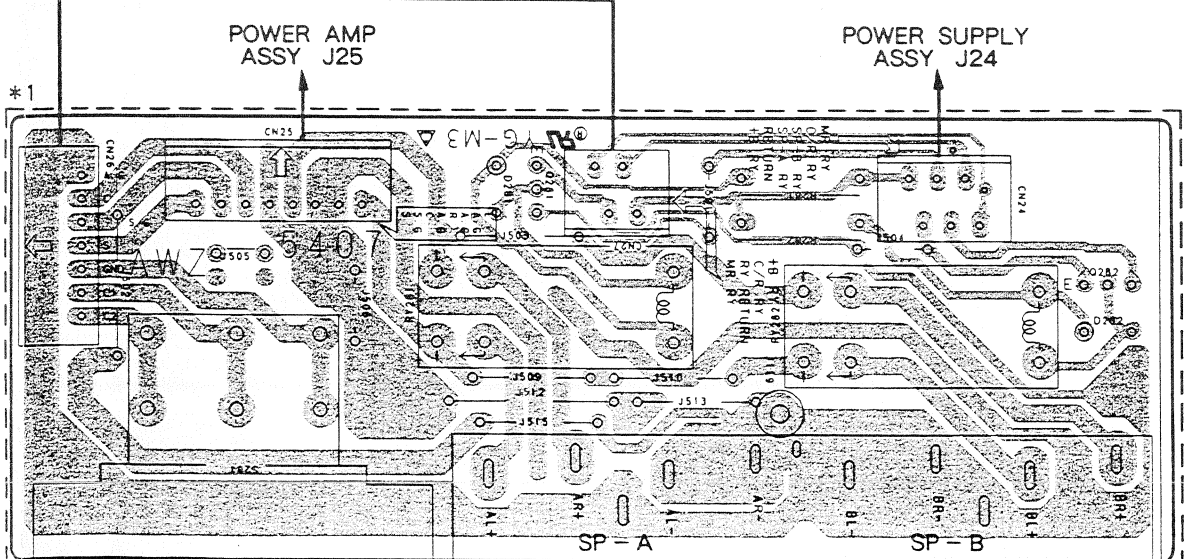
C



FRONT SP ASSY

POWER SUPPLY ASSY J24

POWER AMP ASSY J25



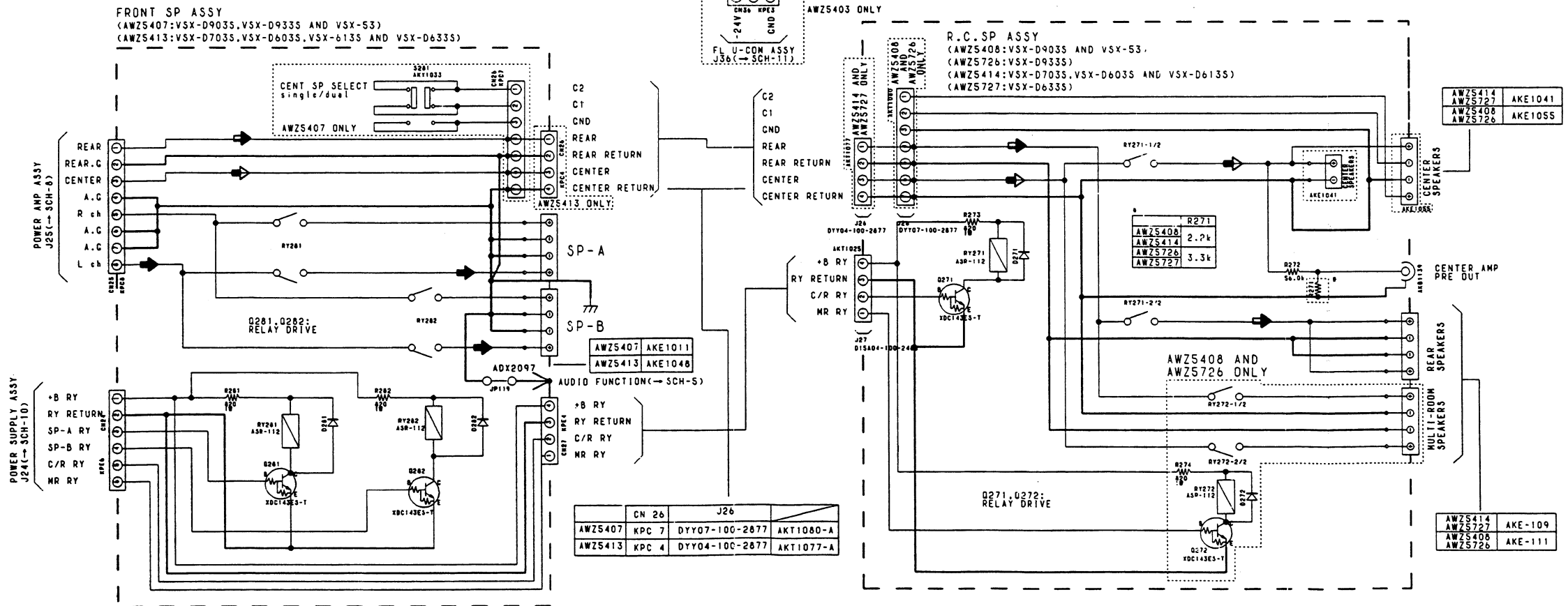
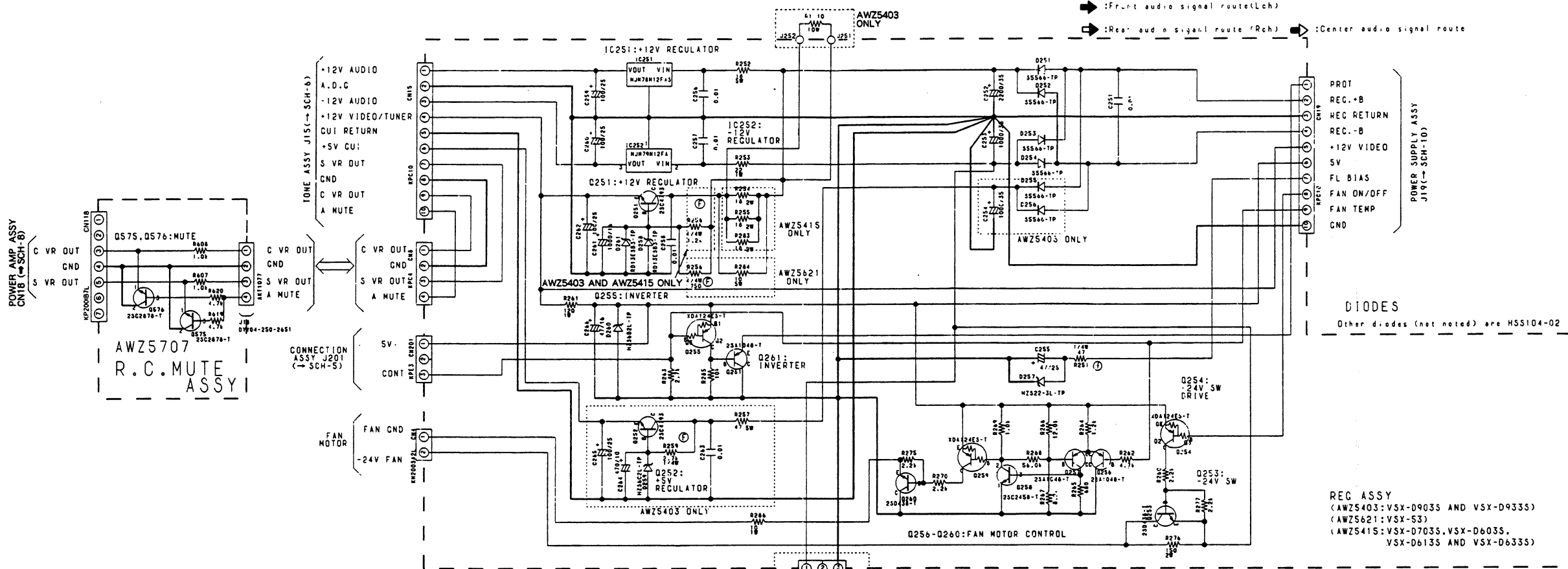
FRONT SP ASSY

POWER SUPPLY ASSY J24

POWER AMP ASSY J25

(ANP1768-B)

• This diagram is viewed from the mounted parts side.

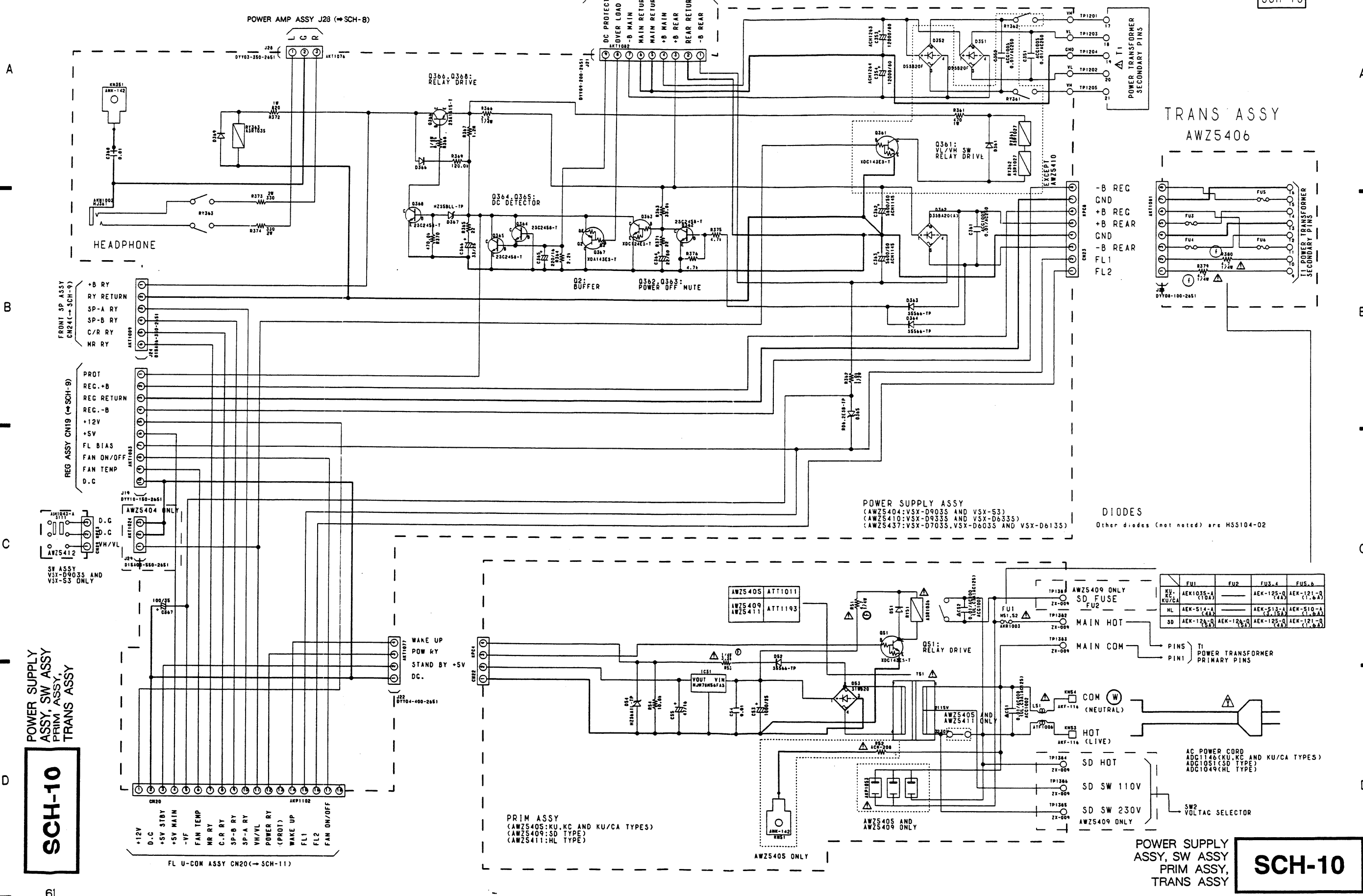


SCH-9

SCH-9

**VSX-D903S, VSX-D933S, VSX-53, VSX-D703S,
VSX-D613S, VSX-D603S, VSX-D633S**

5.10 POWER SUPPLY, SW, PRIM AND TRANS ASSEMBLIES

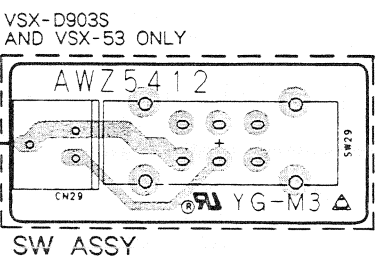
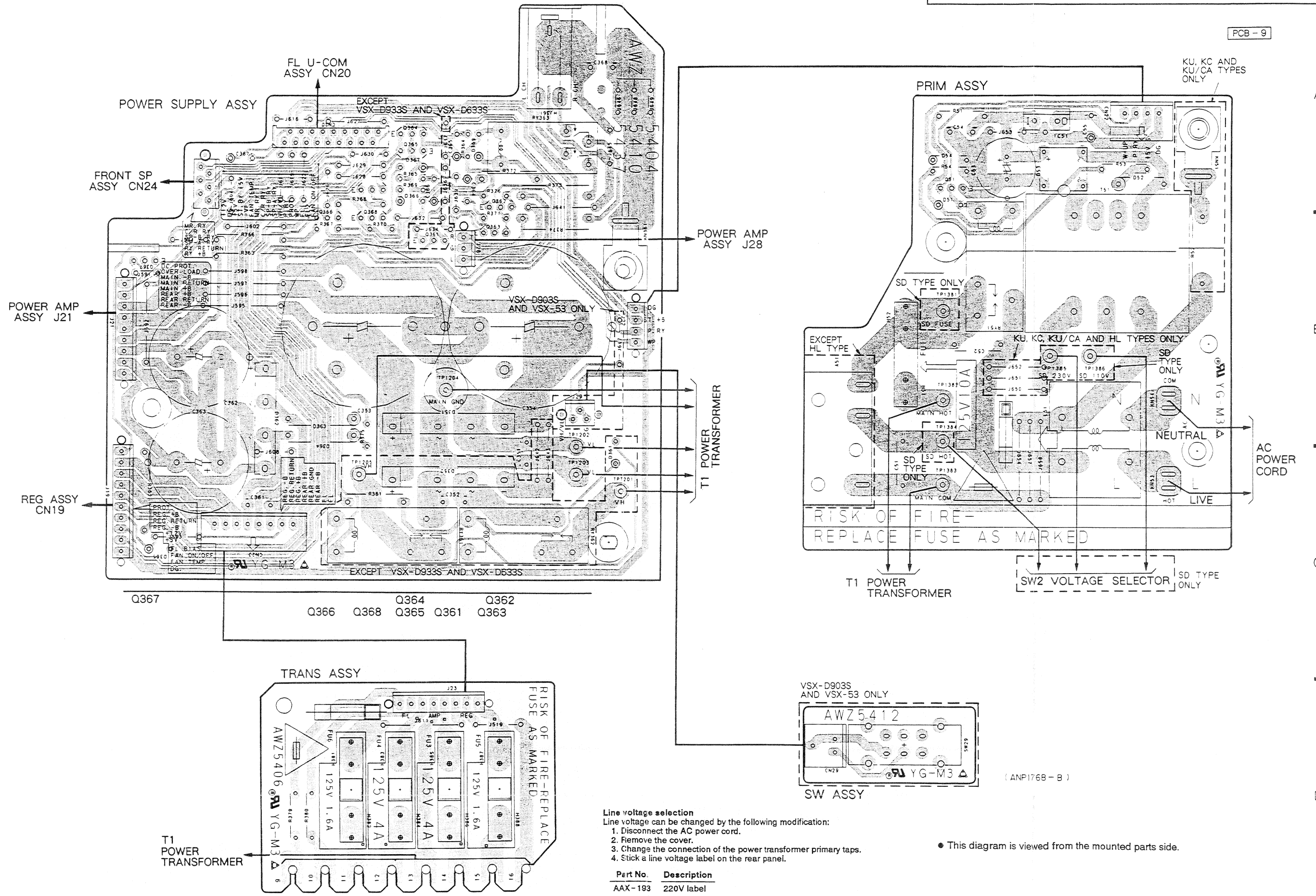


SCH-10

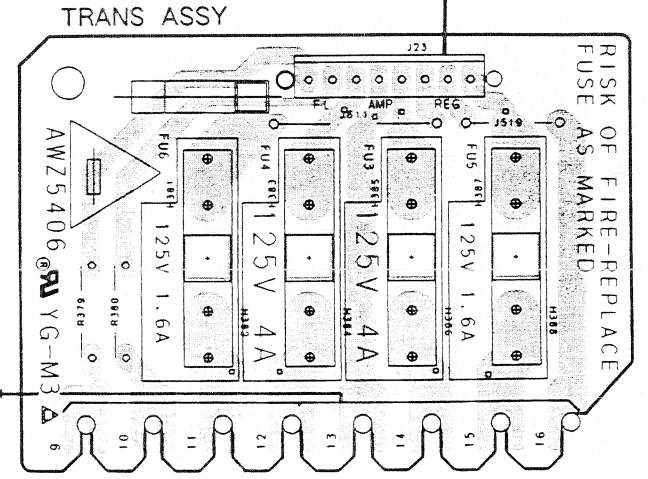
SCH-10

**VSX-D903S, VSX-D933S, VSX-53, VSX-D703S,
VSX-D613S, VSX-D603S, VSX-D633S**

PCB - 9



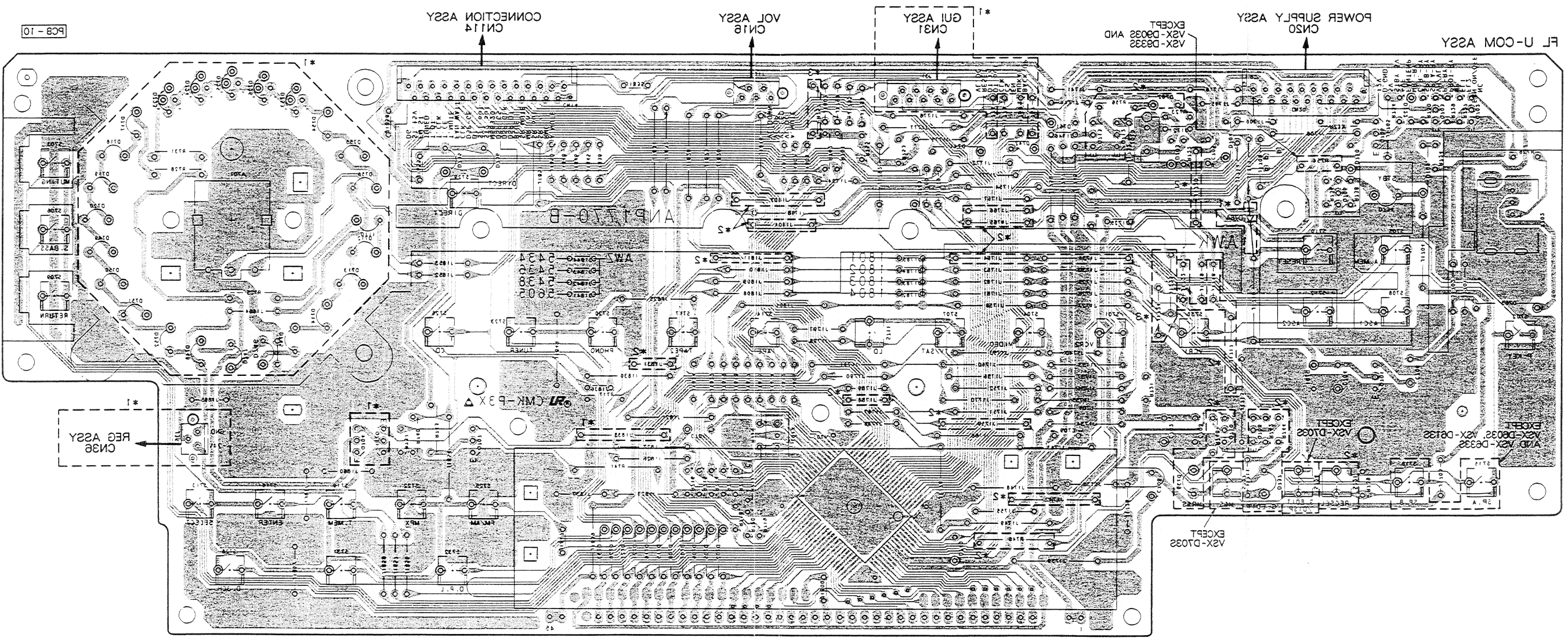
(ANP1768-B)



- Line voltage selection**
Line voltage can be changed by the following modification:
1. Disconnect the AC power cord.
 2. Remove the cover.
 3. Change the connection of the power transformer primary taps.
 4. Stick a line voltage label on the rear panel.

Part No.	Description
AAX-193	220V label
AAX-192	240V label

• This diagram is viewed from the mounted parts side.



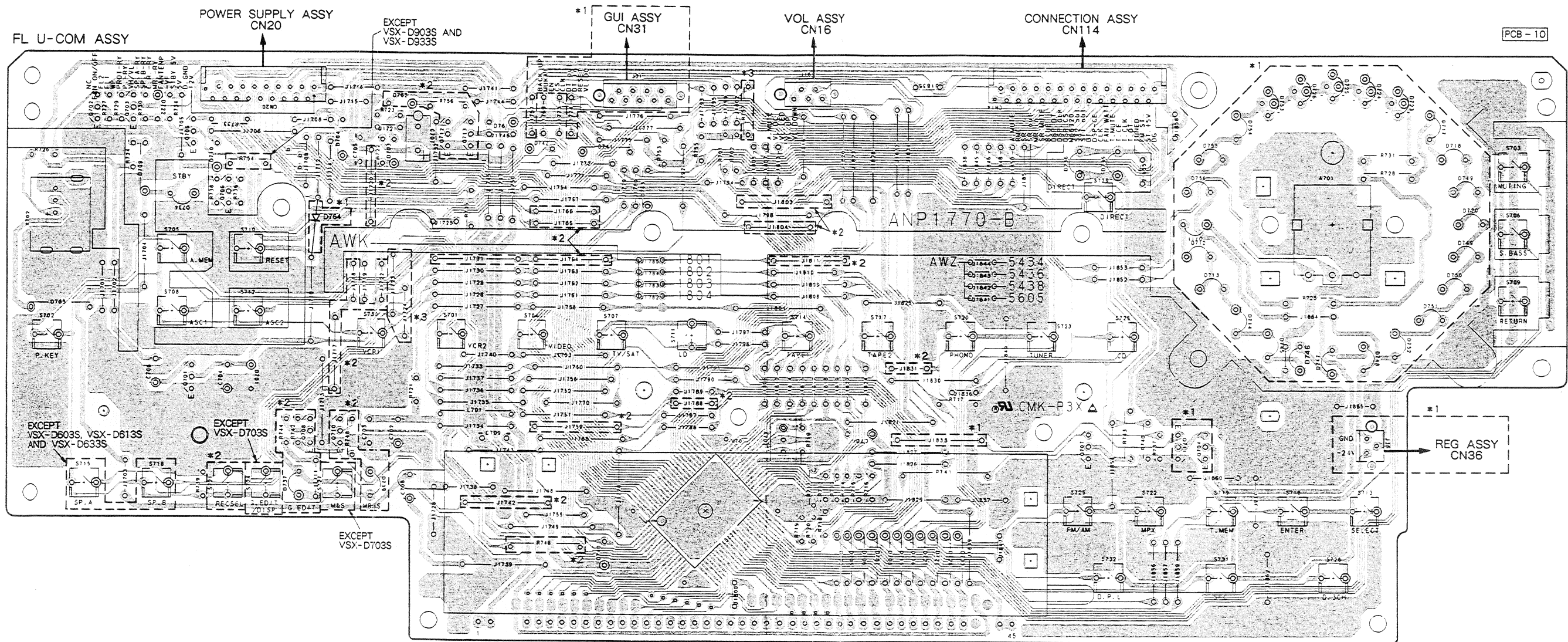
NOTE:
 * 1: V2X-D603 AND V2X-D633 ONLY
 * 2: V2X-D603, V2X-D633 AND V2X-63 ONLY
 * 3: V2X-D603, V2X-D613 AND V2X-D633 ONLY

• This diagram is viewed from the foil side.

5.11 FL U-COM ASSY

A

A



B

C

Q702 Q703 Q705 Q706 Q701 Q708 Q710 Q712 Q713 IC701 Q707 Q711 Q704

NOTE:
* 1 : VSX-D903S AND VSX-D933S ONLY
* 2 : VSX-D903S, VSX-D933S AND VSX-53 ONLY
* 3 : VSX-D603S, VSX-D613S AND VSX-D633S ONLY

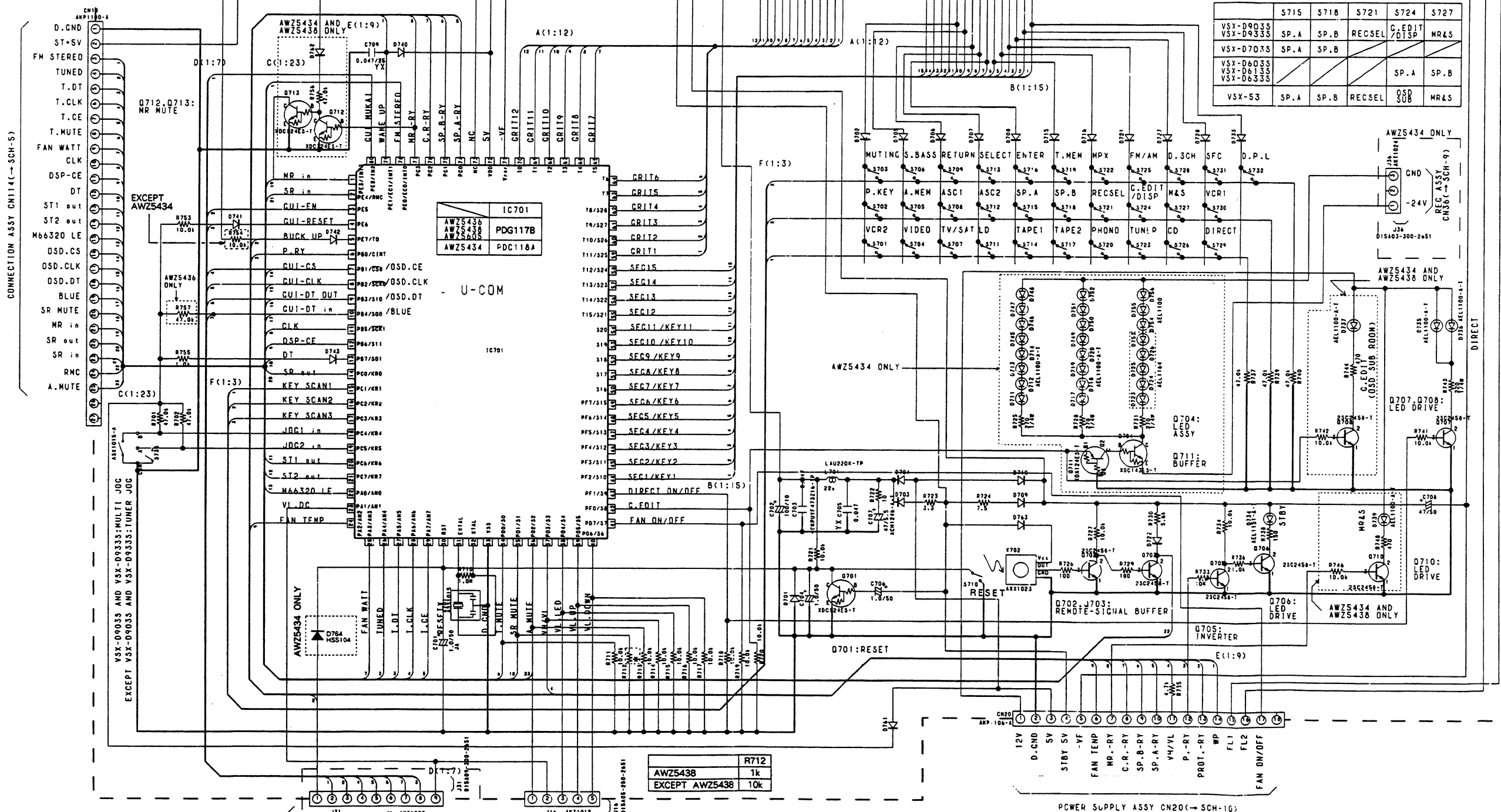
● This diagram is viewed from the mounted parts side.

D

D

FL U-COM ASSY (AWZ5434:VSX-D903S AND VSX-D933S)
(AWZ5438:VSX-53)
(AWZ5605:VSX-D703S)
(AWZ5436:VSX-D603S, VSX-D613S AND VSX-D633S)

DIODES
Other diodes (not noted) are HSS104-02



SCH-11

FL U-COM ASSY

GUI ASSY CNS1 (-SCH-4)
BUCK UP
GUI MUKAI
GUI-EN
GUI-CS
GUI-CLK
GUI-DT out
GUI-DT in
VOL DC
AWZ5434 ONLY

A-MUTE
VL-DC
VL-LED
VL-UP
VL-DOWN

VOL ASSY CNS16 (-SCH-6)

FL U-COM ASSY

SCH-11

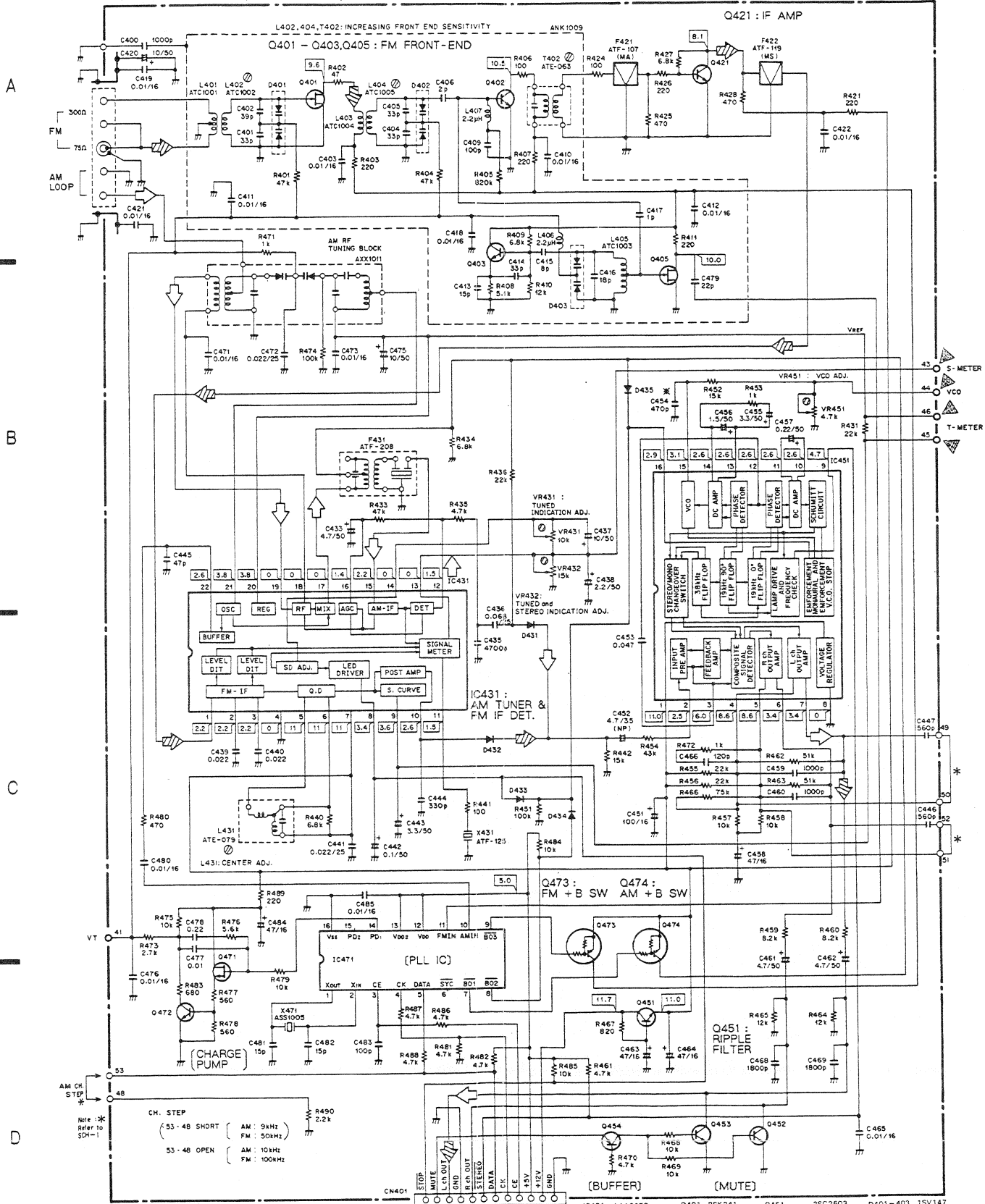
VSX-D903S, VSX-D933S, VSX-53, VSX-D703S,
VSX-D613S, VSX-D603S, VSX-D633S

5.12 TUNER ASSY

TUNER ASSY (AWE1140)

FM signal route (L ch)
AM signal route (L ch)

SCH-12



SCH-12

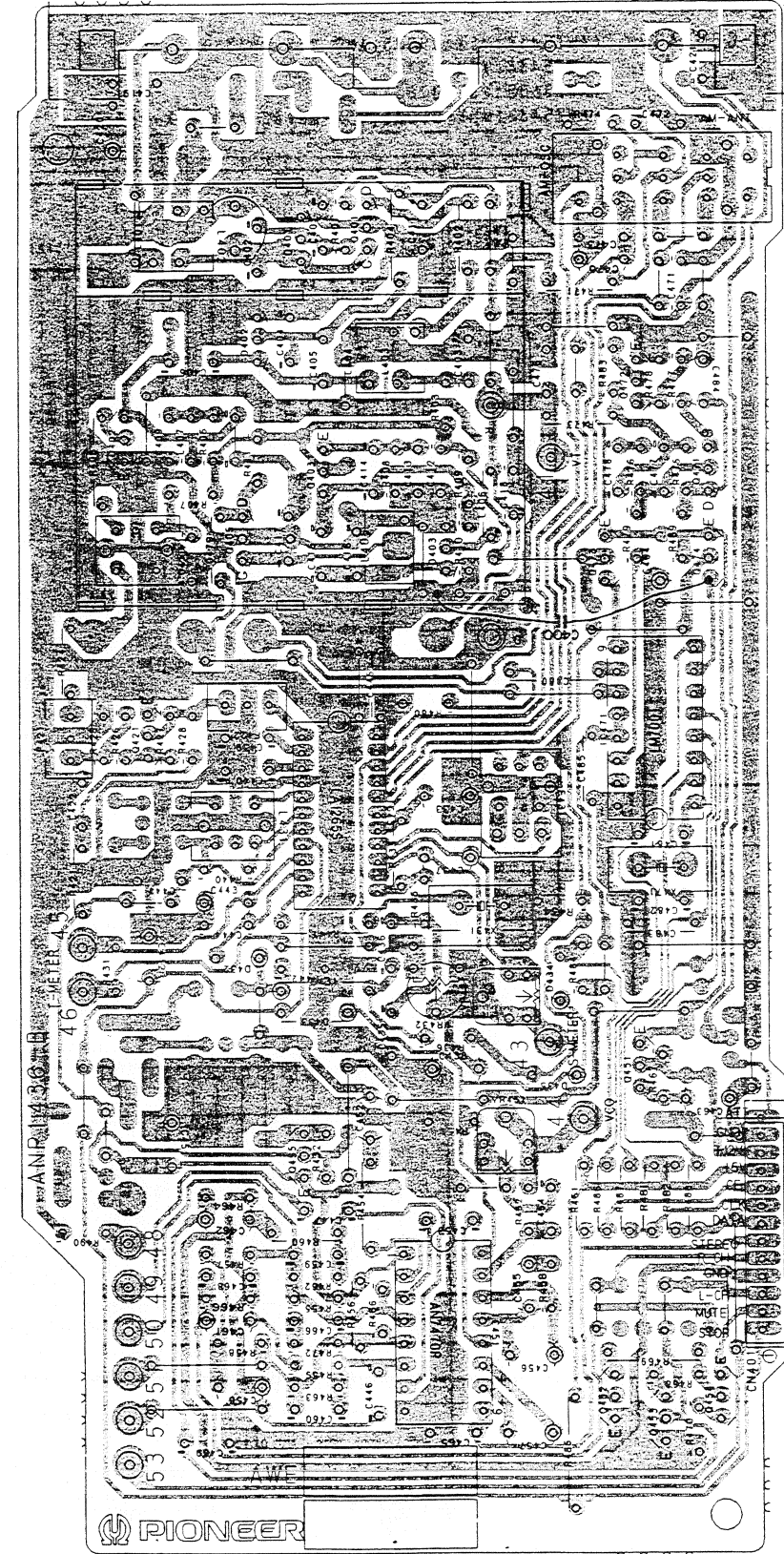
TUNER ASSY

CONNECTION ASSY CN51 (SCH-5)

IC431	LA12655	Q401	2SK241	Q451	2SC2603	D401-403	15V147
IC451	AN7470P	Q402	2SC2786	Q452, 453	2SC17409	D431-435	15S252
IC471	LM7001	Q403	2SC2868	Q454	2SA3335		
		Q405	2SK161	Q471	2SK246		
		Q421	2SC2668	Q472	2SC1740SLN		
		Q473, 474	RM2201				

TUNER ASSY

PCB-11



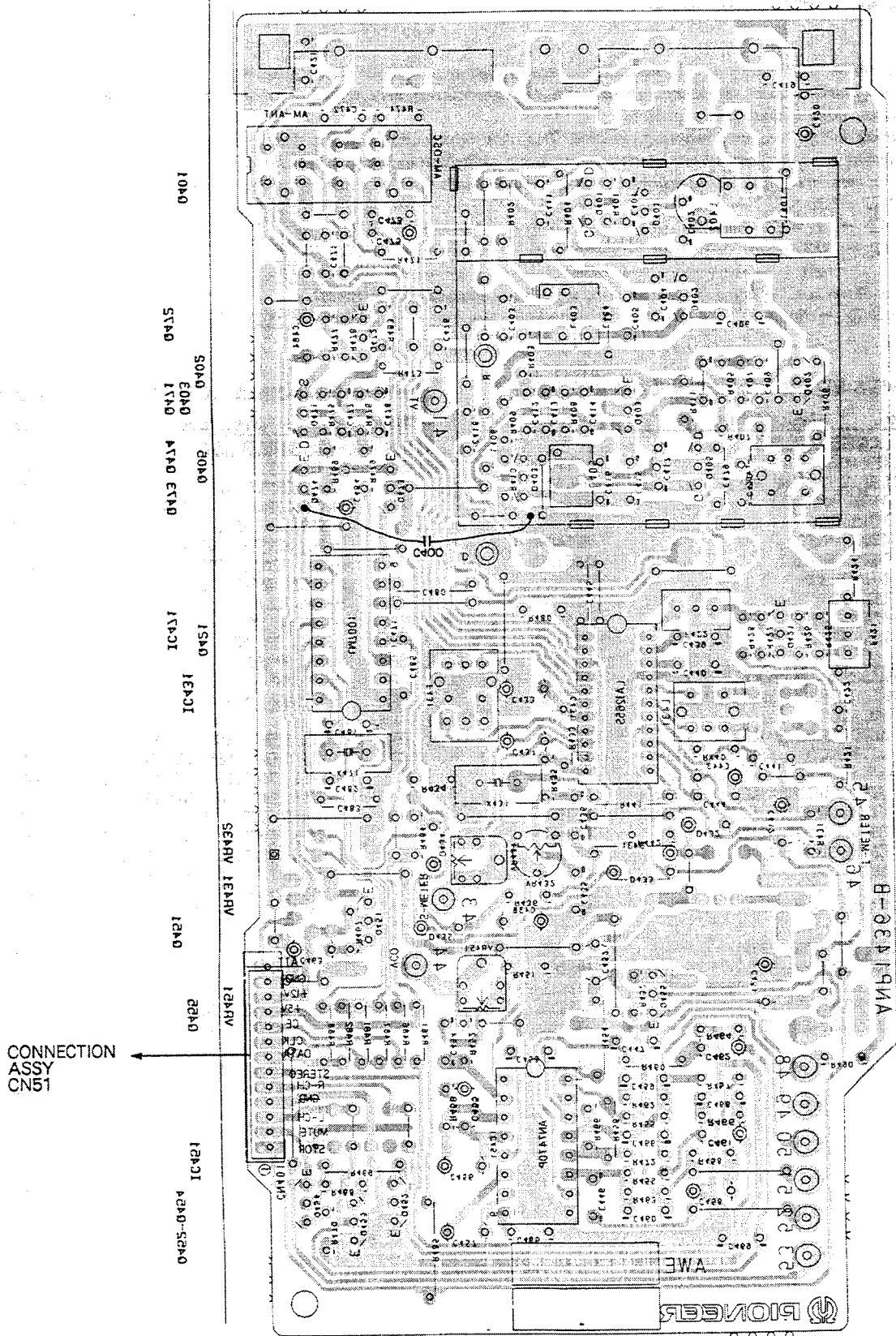
This diagram is viewed from the mounted parts side.

CONNECTION ASSY CN51

VSX - D903S, VSX - D933S, VSX - 53, VSX - D703S,
VSX - D603S, VSX - D613S, VSX - D633S

PCB-11

TUNER ASSY



CONNECTION
ASSY
CN51

• This diagram is viewed from the foil side.