

# Service Manual

ORDER NO.  
RRV1779

AUDIO/VIDEO STEREO RECEIVER

# VSX-536S

## VSX-436

- Refer to the service manual RRV1769 for VSX-806RDS/HYXJI.

THIS MANUAL IS APPLICABLE TO THE FOLLOWING MODEL(S) AND TYPE(S).

Type	Model		Power Requirement	The voltage can be converted by the following method
	VSX-536S	VSX-436		
HLXJI	○	○	AC220-230V	AC240V, *
YPWXJI	○	○	AC240V	_____

\* : Alter the wiring of the Power-supply block at the primary winding of power transformer referring to the "Line Voltage Selection" described in Service Manual.

## 1. CONTRAST OF MISCELLANEOUS PARTS

### NOTES:

- Parts marked by "NSP" are generally unavailable because they are not in our Master Spare Parts List.
- The  $\Delta$  mark found on some component parts indicates the importance of the safety factor of the part. Therefore, when replacing, be sure to use parts of identical designation.
- Ref. No.: Numbers following P and hyphen (-) indicate the page(s) and location number(s) in the RRVI769 service manual, respectively.
- When ordering resistors, first convert resistance values into code form as shown in the following examples.

Ex.1 When there are 2 effective digits (any digit apart from 0), such as 560 ohm and 47K ohm (tolerance is shown by J=5%, and K=10%).

560 →  $56 \times 10^1 \rightarrow 561$  ..... RD1/4PU  $\boxed{5}\boxed{6}\boxed{1}$  J  
 47 k →  $47 \times 10^3 \rightarrow 473$  ..... RD1/4PU  $\boxed{4}\boxed{7}\boxed{3}$  J  
 0.5 → R50 ..... RN2H  $\boxed{R}\boxed{5}\boxed{0}$  K  
 1 → IR0 ..... RSIP  $\boxed{1}\boxed{R}\boxed{0}$  K

Ex.2 When there are 3 effective digits (such as in high precision metal film resistors).

5.62 k →  $562 \times 10^1 \rightarrow 5621$  ..... RN1/4PC  $\boxed{5}\boxed{6}\boxed{2}\boxed{1}$  F

### ■ CONTRAST TABLE

VSX-536S/HLXJI, YPWXJI, VSX-436/HLXJI, YPWXJI and VSX-806RDS/HYXJI have the same construction except for the following :

Ref. No.	Mark	Symbol & Description	Part No.					Remarks	
			VSX-806RDS	VSX-536S			VSX-436		
			HYXJI	HLXJI	YPWXJI	HLXJI	YPWXJI		
P3-1	NSP	PACKING							
P3-1	NSP	Dry Cell Battery (R6P, AA)	VEM-013	Not used	Not used	VEM-013	VEM-013		
P3-1	NSP	Alkaline Dry Cell Battery (LR6, AA)	Not used	AEX1007	AEX1007	Not used	Not used		
P3-3		Operating Instructions (English/French/German/Italian)	ARE7100	Not used	Not used	Not used	Not used		
P3-3		Operating Instructions (English)	Not used	ARB7101	ARB7101	ARB7101	ARB7101		
		Sub Instruction Manual (ISC) (Remote Control Unit) (English)	Not used	ARH7015	ARH7015	Not used	Not used		
P3-5	NSP	Warranty Card	ARY7009	Not used	PRY1003	Not used	PRY1003		
P3-8		Operating Instructions (Dutch/Swedish/Spanish/Portuguese)	ARC7163	Not used	Not used	Not used	Not used		
P3-8		Operating Instructions (Chinese)	Not used	ARC7147	Not used	ARC7147	Not used		
P3-9		Remote Control Unit (CU-VSX118)	AXD7129	Not used	Not used	Not used	Not used		
P3-9		Remote Control Unit (CU-VSX115)	Not used	AXD7124	AXD7124	Not used	Not used	*	
P3-9		Remote Control Unit (CU-VSX121)	Not used	Not used	Not used	AXD7130	AXD7130		
P3-12		Packing Case	AHD7405	AHD7407	AHD7407	AHD7406	AHD7406		
P3-15		Battery Cover	AZA7219	AZN7327	AZN7327	AZA7219	AZA7219		
P6-18	$\Delta$	EXTERIOR							
P6-18	$\Delta$	AC Power Cord	ADG7016	ADG7016	ADG1159	ADG7016	ADG1159		
P6-23		Rear Panel	ANC7537	ANC7541	ANC7542	ANC7539	ANC7540		
		FRONT PANEL SECTION							
P7-3	NSP	FRONT & R/C AMP ASSY	AWK7356	AWK7401	AWK7401	AWK7358	AWK7358		
P7-11		LFL/U-COM ASSY	AWZ8625	AWZ8846	AWZ8846	AWZ8632	AWZ8632		
P7-11		FL Filter	AAK7297	AAK7294	AAK7294	AAK7294	AAK7294		
P7-12		Sub Panel	AAP7027	AAP7028	AAP7028	AAP7028	AAP7028		
P7-13		Front Panel	AMB7422	AMB7424	AMB7424	AMB7423	AMB7423		

NOTE \*: Refer to "2. REMOTE CONTROL UNIT".

## FL/U-COM ASSY

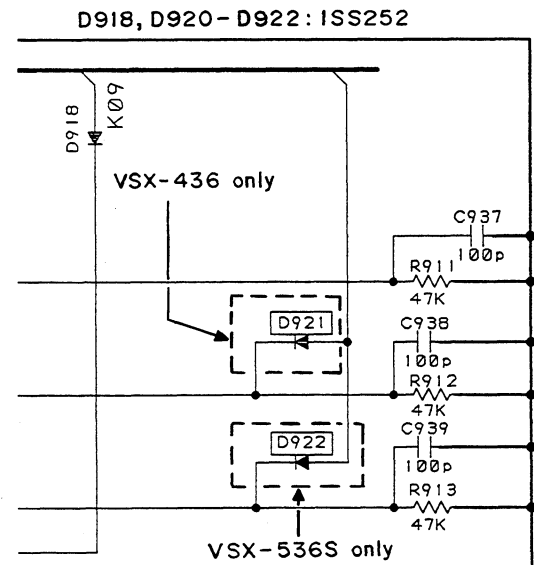
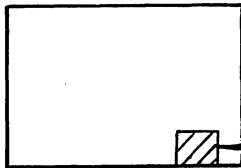
AWZ8846, AWZ8632 and AWZ8625 have the same construction except for the following :

Mark	Symbol & Description	Part No.			Remarks
		AWZ8625	AWZ8846	AWZ8632	
IC951		SAA6579	Not used	Not used	
Q951		KRC101M	Not used	Not used	
Q952		2SA1115	Not used	Not used	
Q953		2SC1740S	Not used	Not used	
D921		Not used	Not used	1SS252	*
D922		Not used	1SS252	Not used	*
L951		LAU2R2J	Not used	Not used	
C951		CCCCH820J50	Not used	Not used	
C952		CCCCH470J50	Not used	Not used	
C953, C959		CEAS101M10	Not used	Not used	
C954, C958		CGCYX103M16	Not used	Not used	
C955		CKCYB561K50	Not used	Not used	
C956		CEAS2R2M50	Not used	Not used	
C957		CEAS1R0M50	Not used	Not used	
R951		RD1/4PU473J	Not used	Not used	
R952, R953		RD1/4PU222J	Not used	Not used	
R954, R956		RD1/4PU102J	Not used	Not used	
R955		RD1/4PU104J	Not used	Not used	
R957		RD1/4PU333J	Not used	Not used	
X951 CRYSTAL RESONATOR (4.332 MHz)		ASS7004	Not used	Not used	
S917		ASG1034	Not used	Not used	

NOTE \* : Refer to **AF**.

## ■ SCHEMATIC DIAGRAM

**AF** FL/U-COM ASSY  
(AWZ8846: VSX-536S)  
(AWZ8632: VSX-436)

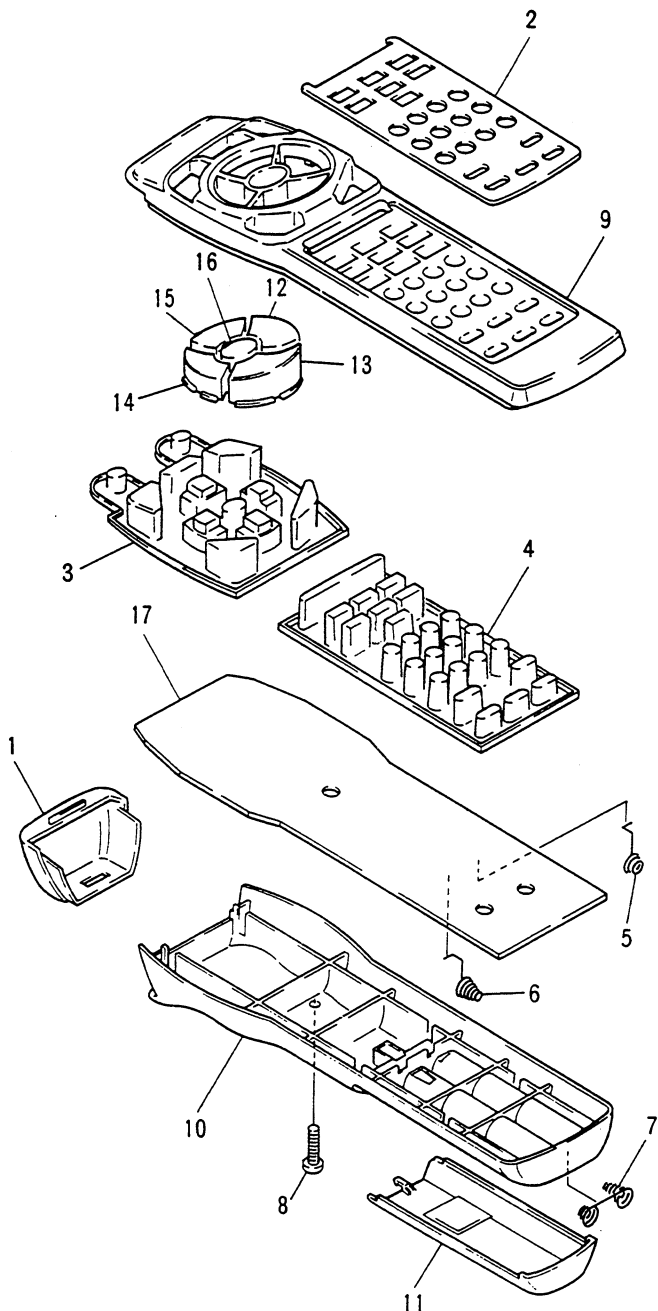


## 2. REMOTE CONTROL UNIT [CU-VSX115 (AXD7124)] (for VSX-536S)

### 2.1 EXPLODED VIEWS AND PARTS LIST

**NOTES:**

- Parts marked by "NSP" are generally unavailable because they are not in our Master Spare Parts List.
- The  $\Delta$  mark found on some component parts indicates the importance of the safety factor of the part. Therefore, when replacing, be sure to use parts of identical designation.



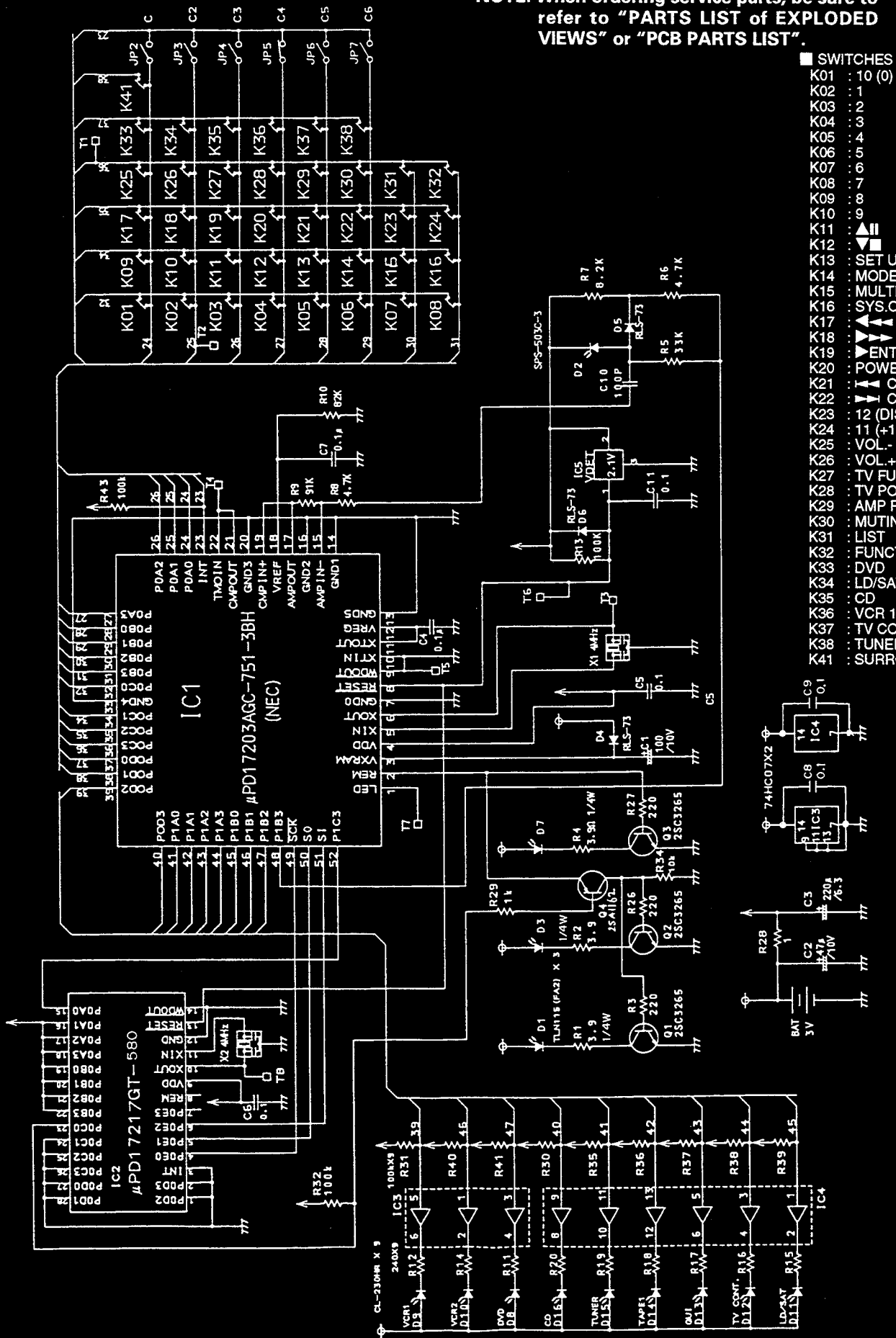
■ **Parts List**

Mark	No.	Description	Part No.
	1	Filter	AZA7152
	2	Name plate	AZA7242
	3	Rubber sheet (A)	AZA7236
	4	Rubber sheet (B)	AZA7243
	5	Spring (+)	AZB7049
	6	Spring (-)	AZB7050
	7	Spring	AZB7051
	8	Screw	AZB7052
	9	Remo-con case (A)	AZN7672
	10	Remo-con case (B)	AZN7326
	11	Battery cover	AZN7327
	12	Main key (FF)	AZN7666
	13	Main key (STOP)	AZN7329
	14	Main key (REV)	AZN7665
	15	Main key (PAUSE)	AZN7331
	16	Main key (PLAY)	AZN7664
NSP	17	PCB	AZW7243

2.2 SCHEMATIC AND PCB DIAGRAM

■ SCHEMATIC DIAGRAM

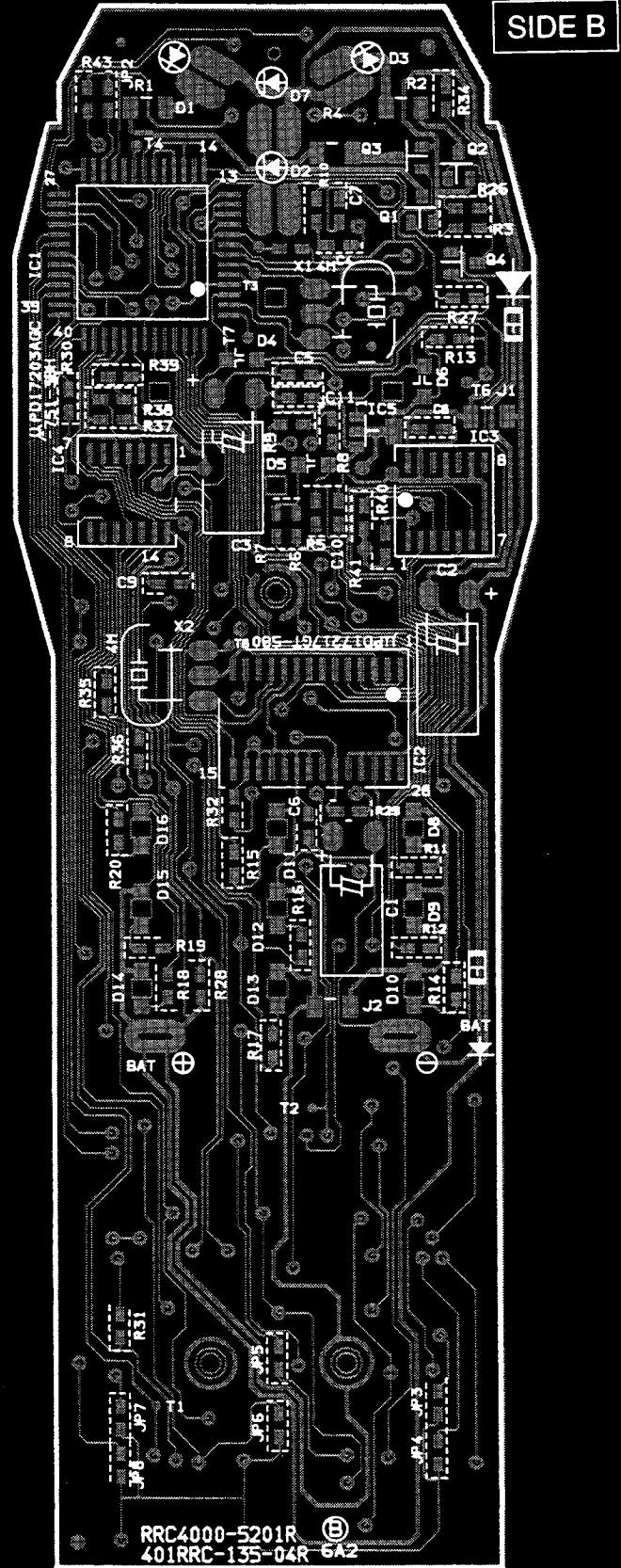
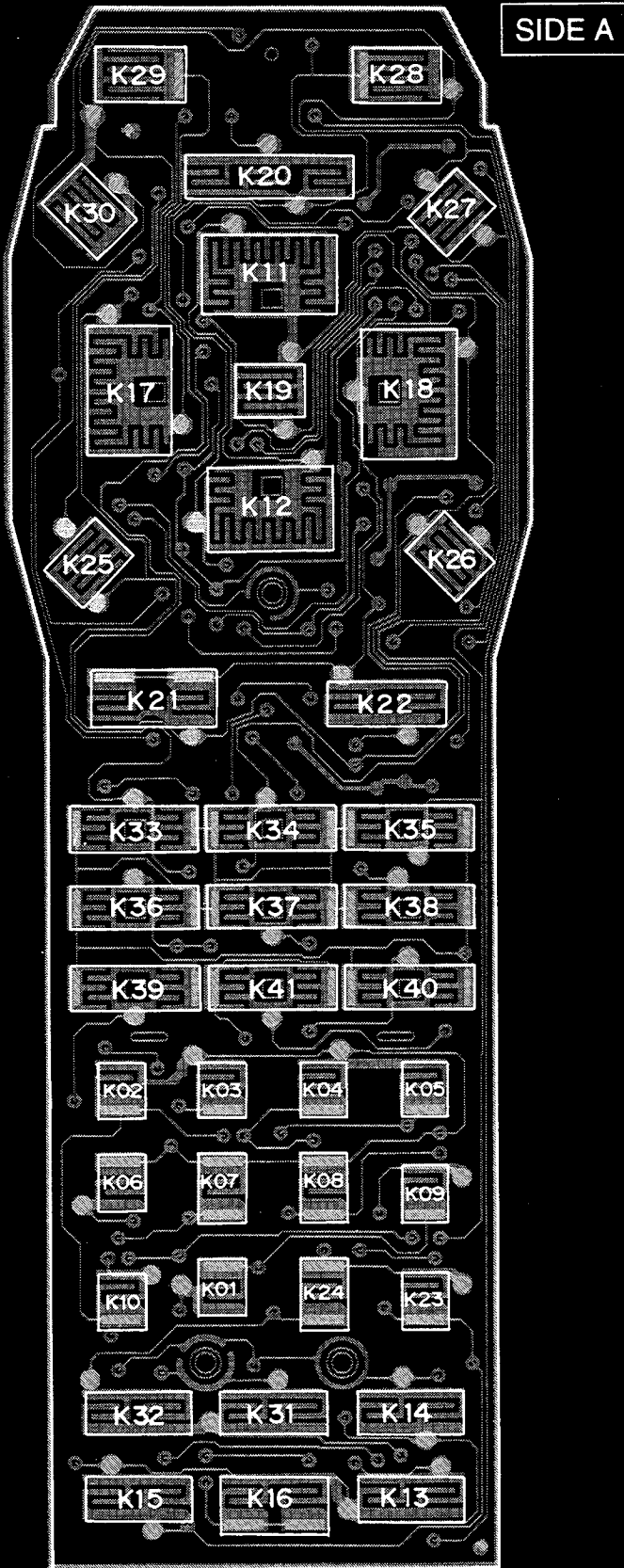
NOTE: When ordering service parts, be sure to refer to "PARTS LIST of EXPLODED VIEWS" or "PCB PARTS LIST".



- SWITCHES
- K01 : 10 (0)
  - K02 : 1
  - K03 : 2
  - K04 : 3
  - K05 : 4
  - K06 : 5
  - K07 : 6
  - K08 : 7
  - K09 : 8
  - K10 : 9
  - K11 :
  - K12 :
  - K13 : SET UP
  - K14 : MODE CHK
  - K15 : MULTI. OPE.
  - K16 : SYS. OFF
  - K17 :
  - K18 :
  - K19 : VENT. POWER
  - K20 :
  - K21 :
  - K22 : CH-
  - K23 : CH+
  - K24 : 12 (DISC)
  - K25 : 11 (+10)
  - K26 : VOL-
  - K27 : VOL+
  - K28 : TV FUNC.
  - K29 : TV POWER
  - K30 : AMP POW.
  - K31 : MUTING
  - K32 : LIST
  - K33 : FUNCTION
  - K34 : DVD
  - K35 : LD/SAT
  - K36 : CD
  - K37 : VCR 1
  - K38 : TV CONT.
  - K41 : TUNER
  - K42 : SURROUND

# VSX-536S, VSX-436

## PCB DIAGRAM



## 2.3 PCB PARTS LIST

### NOTES:

- Parts marked by "NSP" are generally unavailable because they are not in our Master Spare Parts List.
- The  $\Delta$  mark found on some component parts indicates the importance of the safety factor of the part. Therefore, when replacing, be sure to use parts of identical designation.
- When ordering resistors, first convert resistance values into code form as shown in the following examples.

Ex.1 When there are 2 effective digits (any digit apart from 0), such as 560 ohm and 47K ohm (tolerance is shown by J=5%, and K=10%).

560  $\rightarrow 56 \times 10^1 \rightarrow 561$  ..... RD1/4PU  $\boxed{5}\boxed{6}\boxed{1}$  J  
 47 k  $\rightarrow 47 \times 10^3 \rightarrow 473$  ..... RD1/4PU  $\boxed{4}\boxed{7}\boxed{3}$  J  
 0.5  $\rightarrow R50$  ..... RN2H  $\boxed{R}\boxed{5}\boxed{0}$  K  
 1  $\rightarrow 1R0$  ..... RS1P  $\boxed{1}\boxed{R}\boxed{0}$  K

Ex.2 When there are 3 effective digits (such as in high precision metal film resistors).

5.62 k  $\rightarrow 562 \times 10^1 \rightarrow 5621$  ..... RN1/4PC  $\boxed{5}\boxed{6}\boxed{2}\boxed{1}$  F

Mark	No.	Description	Part No.
------	-----	-------------	----------

### SEMICONDUCTORS

IC1			AZC7275
IC2			AZC7274
IC3, IC4			TC74HC07AF
IC5			RH5VA21AA
Q4-Q6			2SA1037K
Q1-Q3			2SC3265
D1, D3, D7			SE1003-C
D2			SPS-503C-3
D8-D20 LED			CL-230HR-CD
D4 - D6			RLS-73

### CAPACITORS

C2			CEAS470M10
C4-C7, C11			CKSQYB104K25
C3			CEAS221M6R3
C1			CEAS101M6R3
C8 -C10			CCSQCH101J50

### RESISTORS

R2001, R2002			RS1/8S0R0J
R1, R2, R4			RS1/8S3R9J
Other Resistors			RS1/10S□□□J

### OTHERS

X1, X2	RESONATOR (4MHz)		KBR-4.0M
--------	------------------	--	----------

