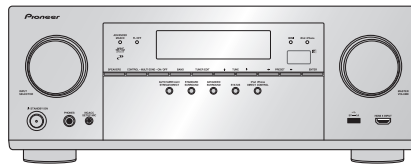


# Pioneer

## Service Manual



VSX-1124-K

ORDER NO.  
RRV4527

AV Receiver

# VSX-1124-K

## VSX-1129-K

## VSX-80

## VSA-1124

**THIS MANUAL IS APPLICABLE TO THE FOLLOWING MODEL(S) AND TYPE(S).**

Model	Type	Power Requirement	Remarks
VSX-1124-K	CUXESM	AC 120 V	
VSX-1129-K	CUXE	AC 120 V	
VSX-80	CUXE	AC 120 V	
VSA-1124	JXE	AC 100 V	

**THIS SERVICE MANUAL SHOULD BE USED TOGETHER WITH THE FOLLOWING MANUAL(S).**

Model	Order No.	Remarks
VSX-1124-K, VSX-1129-K, VSX-80	RRV4521	BLOCK DIAGRAM, EXPLODED VIEWS AND PARTS LIST etc.



**PIONEER CORPORATION** 1-1, Shin-ogura, Saiwai-ku, Kawasaki-shi, Kanagawa 212-0031, Japan

**PIONEER ELECTRONICS (USA) INC.** P.O. Box 1760, Long Beach, CA 90801-1760, U.S.A.

**PIONEER EUROPE NV** Haven 1087, Keetberglaan 1, 9120 Melsele, Belgium

**PIONEER ELECTRONICS ASIACENTRE PTE. LTD.** 253 Alexandra Road, #04-01, Singapore 159936

©PIONEER CORPORATION 2014

# SAFETY INFORMATION



This service manual is intended for qualified service technicians; it is not meant for the casual do-it-yourselfer. Qualified technicians have the necessary test equipment and tools, and have been trained to properly and safely repair complex products such as those covered by this manual.

Improperly performed repairs can adversely affect the safety and reliability of the product and may void the warranty. If you are not qualified to perform the repair of this product properly and safely, you should not risk trying to do so and refer the repair to a qualified service technician.

## WARNING

This product may contain a chemical known to the State of California to cause cancer, or birth defects or other reproductive harm.

Health & Safety Code Section 25249.6 - Proposition 65

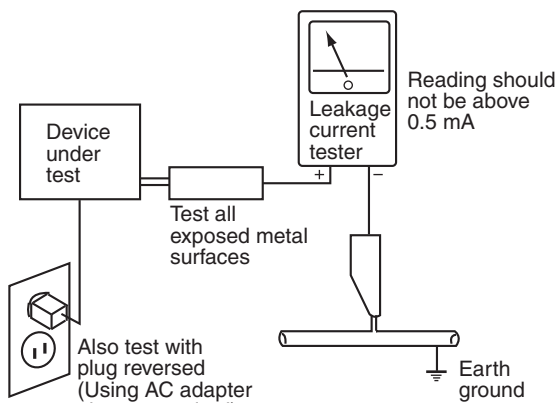
(FOR USA MODEL ONLY)

## 1. SAFETY PRECAUTIONS

The following check should be performed for the continued protection of the customer and service technician.

### LEAKAGE CURRENT CHECK

Measure leakage current to a known earth ground (water pipe, conduit, etc.) by connecting a leakage current tester such as Simpson Model 229-2 or equivalent between the earth ground and all exposed metal parts of the appliance (input/output terminals, screwheads, metal overlays, control shaft, etc.). Plug the AC line cord of the appliance directly into a 120 V AC 60 Hz outlet and turn the AC power switch on. Any current measured must not exceed 0.5 mA.



AC Leakage Test

ANY MEASUREMENTS NOT WITHIN THE LIMITS OUTLINED ABOVE ARE INDICATIVE OF A POTENTIAL SHOCK HAZARD AND MUST BE CORRECTED BEFORE RETURNING THE APPLIANCE TO THE CUSTOMER.

## 2. PRODUCT SAFETY NOTICE

Many electrical and mechanical parts in the appliance have special safety related characteristics. These are often not evident from visual inspection nor the protection afforded by them necessarily can be obtained by using replacement components rated for voltage, wattage, etc. Replacement parts which have these special safety characteristics are identified in this Service Manual.

Electrical components having such features are identified by marking with a ⚠ on the schematics and on the parts list in this Service Manual.

The use of a substitute replacement component which does not have the same safety characteristics as the PIONEER recommended replacement one, shown in the parts list in this Service Manual, may create shock, fire, or other hazards.

Product Safety is continuously under review and new instructions are issued from time to time. For the latest information, always consult the current PIONEER Service Manual. A subscription to, or additional copies of, PIONEER Service Manual may be obtained at a nominal charge from PIONEER.

# CONTENTS

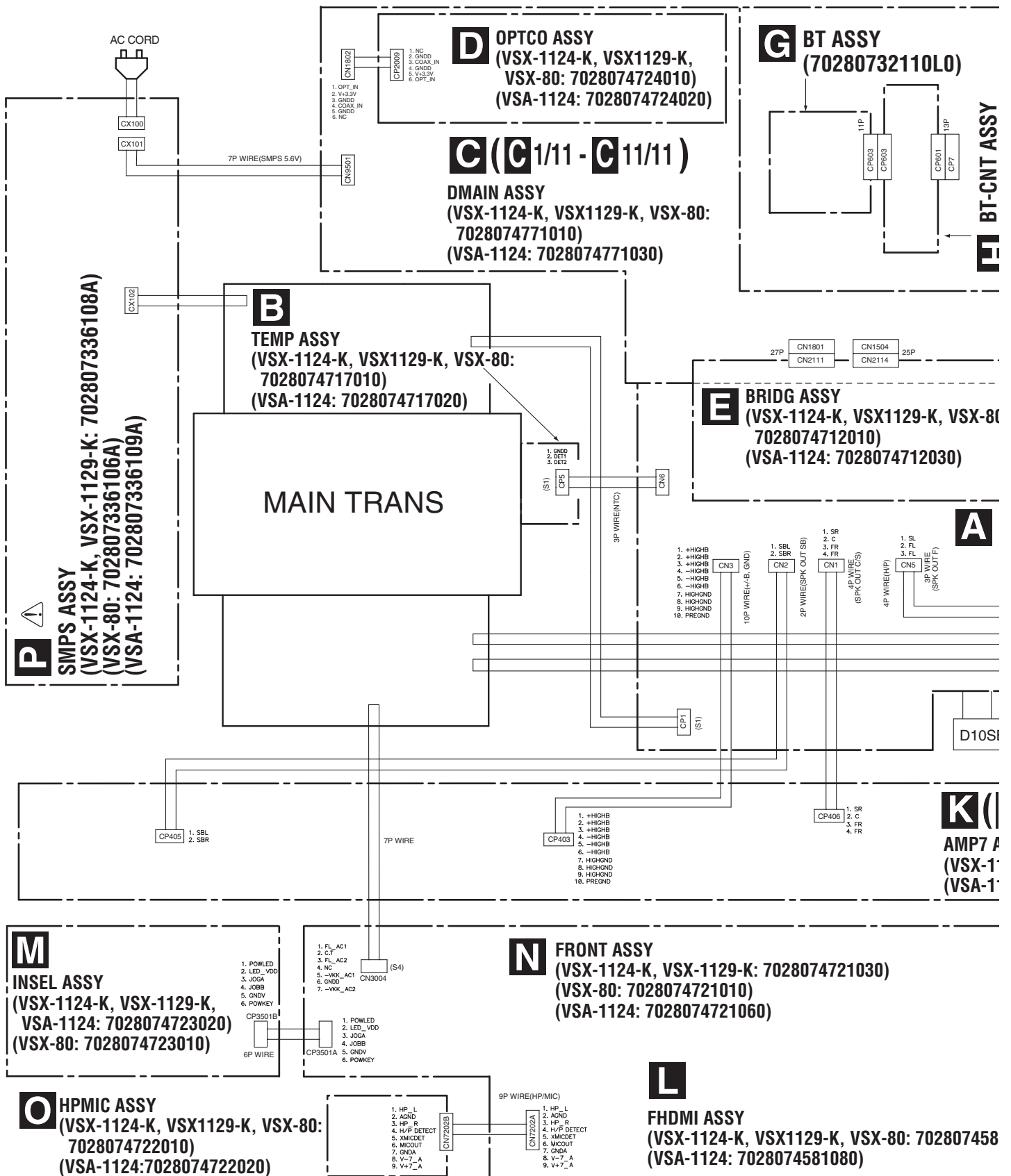
SAFETY INFORMATION.....	2	
10. SCHEMATIC DIAGRAM.....	4	
10.1 OVERALL WIRING DIAGRAM.....	4	A
10.2 MAIN and TEMP ASSYS.....	6	
10.3 DMAIN ASSY (1/11).....	8	
10.4 DMAIN ASSY (2/11).....	10	
10.5 DMAIN ASSY (3/11).....	12	
10.6 DMAIN ASSY (4/11).....	14	
10.7 DMAIN ASSY (5/11).....	16	
10.8 DMAIN ASSY (6/11).....	18	
10.9 DMAIN ASSY (7/11).....	20	
10.10 DMAIN ASSY (8/11).....	22	
10.11 DMAIN ASSY (9/11).....	24	
10.12 DMAIN ASSY (10/11).....	26	
10.13 DMAIN ASSY (11/11).....	28	B
10.14 OPTCO ASSY.....	32	
10.15 BRIDG ASSY.....	34	
10.16 VIDEO ASSY.....	36	
10.17 BT and BT-CNT ASSYS.....	38	
10.18 AUDIO ASSY.....	40	
10.19 CPU ASSY.....	42	
10.20 AMP7 ASSY (1/2).....	44	
10.21 AMP7 ASSY (2/2).....	46	
10.22 FHDMI ASSY.....	48	
10.23 INSEL, FRONT and HPMIC ASSYS.....	50	
10.24 SMPS ASSY.....	52	
11. PCB CONNECTION DIAGRAM.....	54	C
11.1 MAIN and TEMP ASSYS.....	54	
11.2 DMAIN ASSY.....	58	
11.3 OPTCO ASSY.....	62	
11.4 BRIDG ASSY.....	63	
11.5 VIDEO ASSY.....	64	
11.6 BT and BT-CNT ASSYS.....	65	
11.7 AUDIO ASSY.....	66	
11.8 CPU ASSY.....	68	
11.9 AMP7 ASSY.....	72	
11.10 FHDMI, INSEL, FRONT and HPMIC ASSYS.....	74	
11.11 SMPS ASSY.....	78	
12. PCB PARTS LIST.....	80	D

# 10. SCHEMATIC DIAGRAM

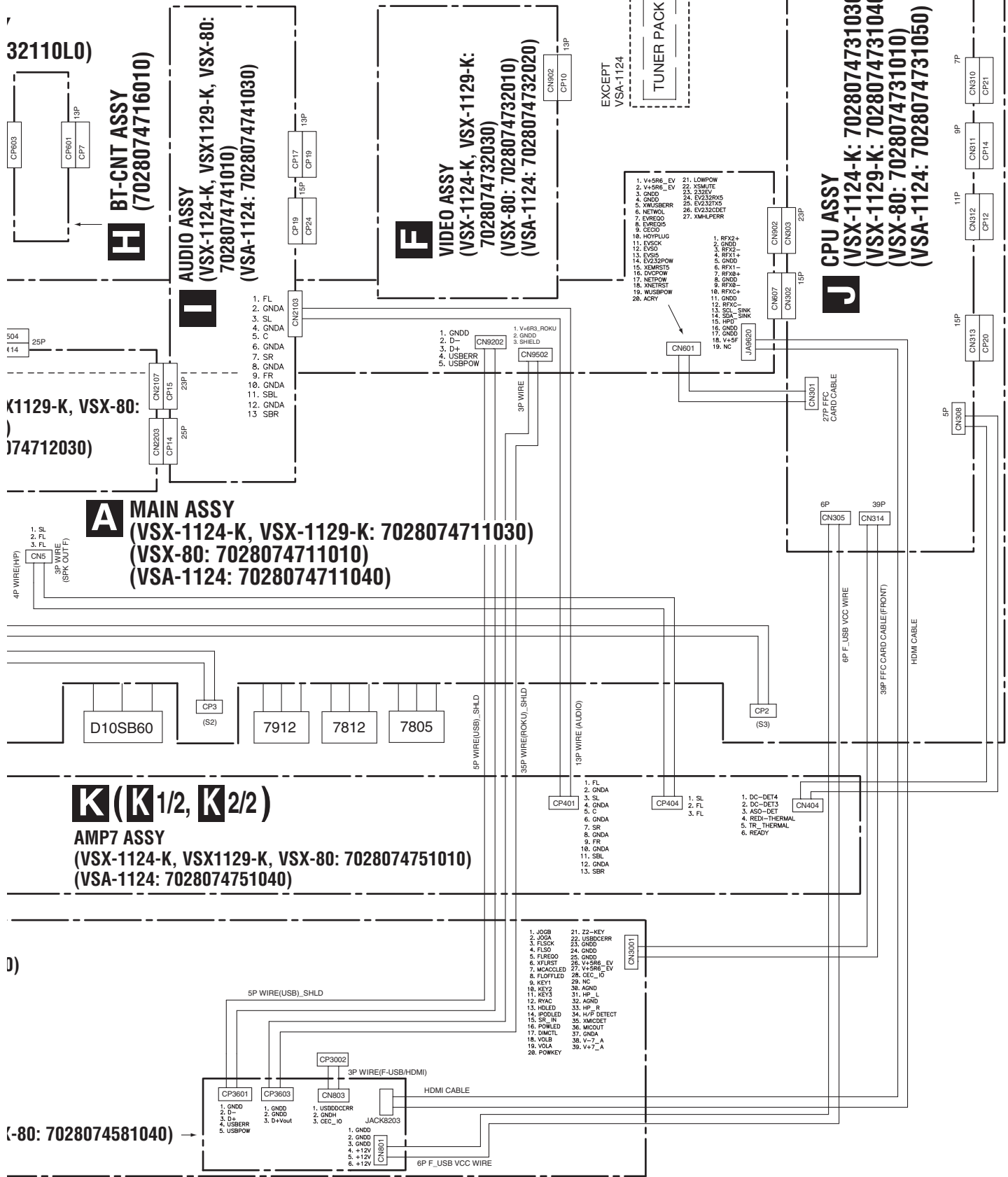
## 10.1 OVERALL WIRING DIAGRAM

- When ordering service parts, be sure to refer to "EXPLODED VIEWS and PARTS LIST" or "PCB PARTS LIST".
- The mark found on some component parts indicates the importance of the safety factor of the part. Therefore, when replacing, be sure to use parts of identical designation.
- : The power supply is shown with the marked box.

- 部品を発注する場合は、必ず「分解図と部品表」を参照してください。
- 印の部品は、安全上重要な部品です。交換するときは、安全および性能維持のため必ず指定の部品を使用してください。
- 印は電源の供給源を示しています。



「分解図と部品表」または「電気部品表」を参照してください。  
 部品です。  
 性能維持のため必ず指定の部品をご使用ください。  
 しています。

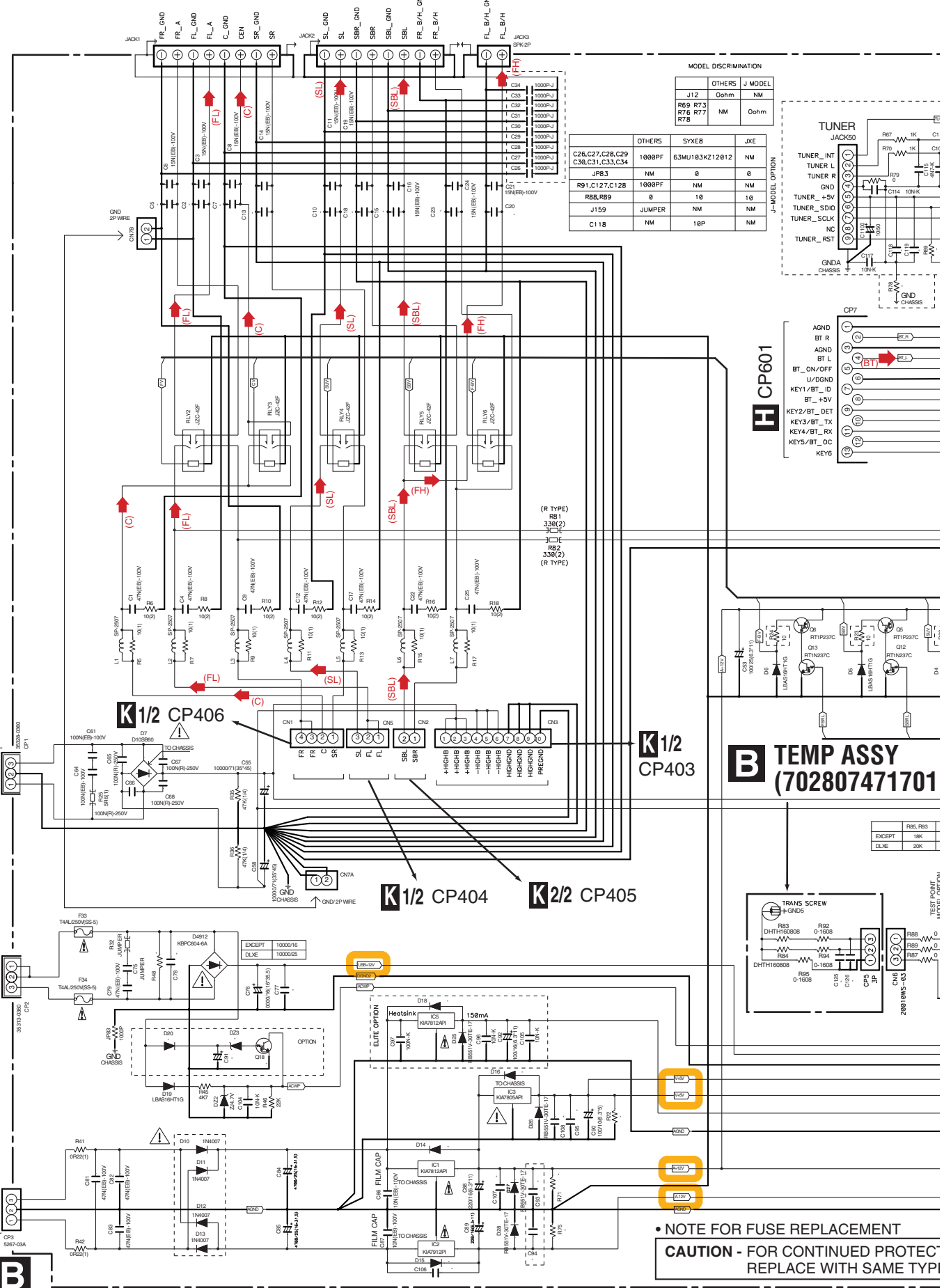


A  
B  
C  
D  
E  
F

# 10.2 MAIN and TEMP ASSYS

A  
B  
C  
D  
E  
F  
6

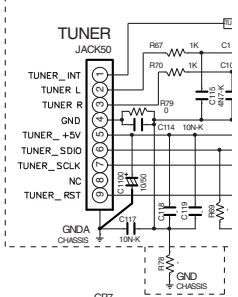
SPEAKER TERMINAL



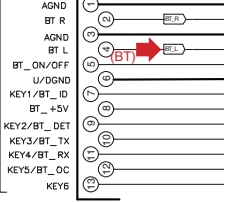
MODEL DISCRIMINATION

	OTHERS	J MODEL
J12	0ohm	NM
R69, R73, R76, R77, R78	NM	0ohm

	OTHERS	SYXEB	JKE
C26, C27, C28, C29, C30, C31, C33, C34	1000PF	63M103K212012	NM
JPE3	NM	0	0
R91, C127, C128	1000PF	NM	NM
R88, R89	0	10	10
J159	JUMPER	NM	NM
C118	NM	10P	NM

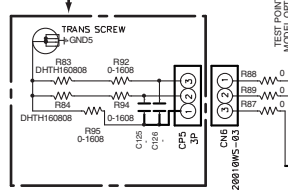


**H** CP601



**B** TEMP ASSY (702807471701)

	RBL R03
EXCEPT	19K
DLXE	20K



**K** 1/2 CP403

**K** 1/2 CP404

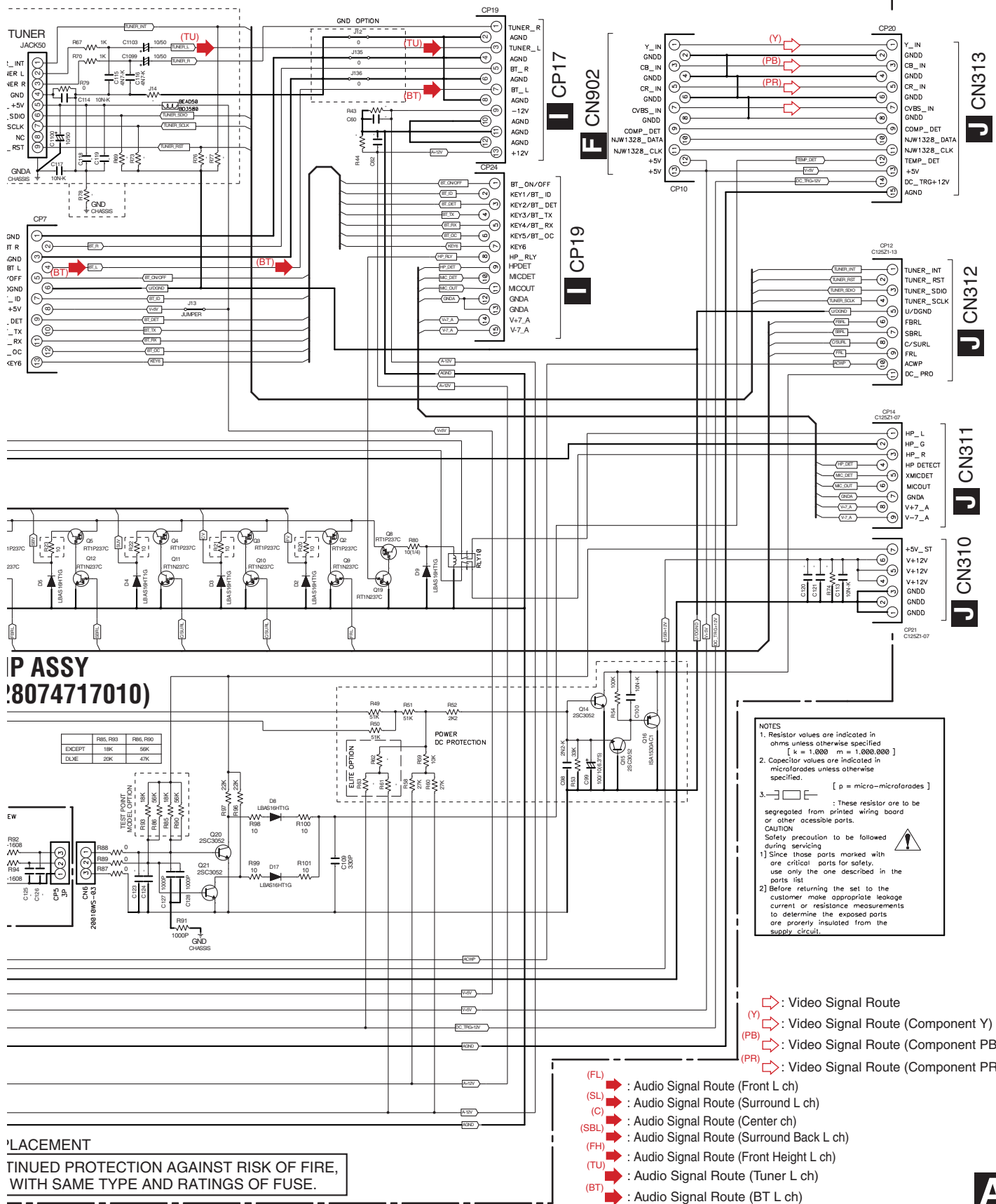
**K** 2/2 CP405

NOTE FOR FUSE REPLACEMENT  
CAUTION - FOR CONTINUED PROTECTION  
REPLACE WITH SAME TYPE

VSX-1124-K

1 2 3 4

# A MAIN ASSY (VSX-1124-K, VSX-1129-K: 7028074711030) (VSX-80: 7028074711010)



## P ASSY (8074717010)

	R5L R53	R5L R50
EXCEPT	1K	5K
DLX	20K	47K

- NOTES**
1. Resistor values are indicated in ohms unless otherwise specified  
[ k = 1,000 m = 1,000,000 ]
  2. Capacitor values are indicated in microfarads unless otherwise specified.
  3. [ p = micro-microfarads ]
- ⚠ : These resistor are to be segregated from printed wiring board or other accessible parts.  
CAUTION  
Safety precaution to be followed during servicing
- 1) Since those parts marked with are critical parts for safety, use only the one described in the parts list
  - 2) Before returning the set to the customer, make appropriate leakage current or resistance measurements to determine the exposed parts are properly insulated from the supply circuit.

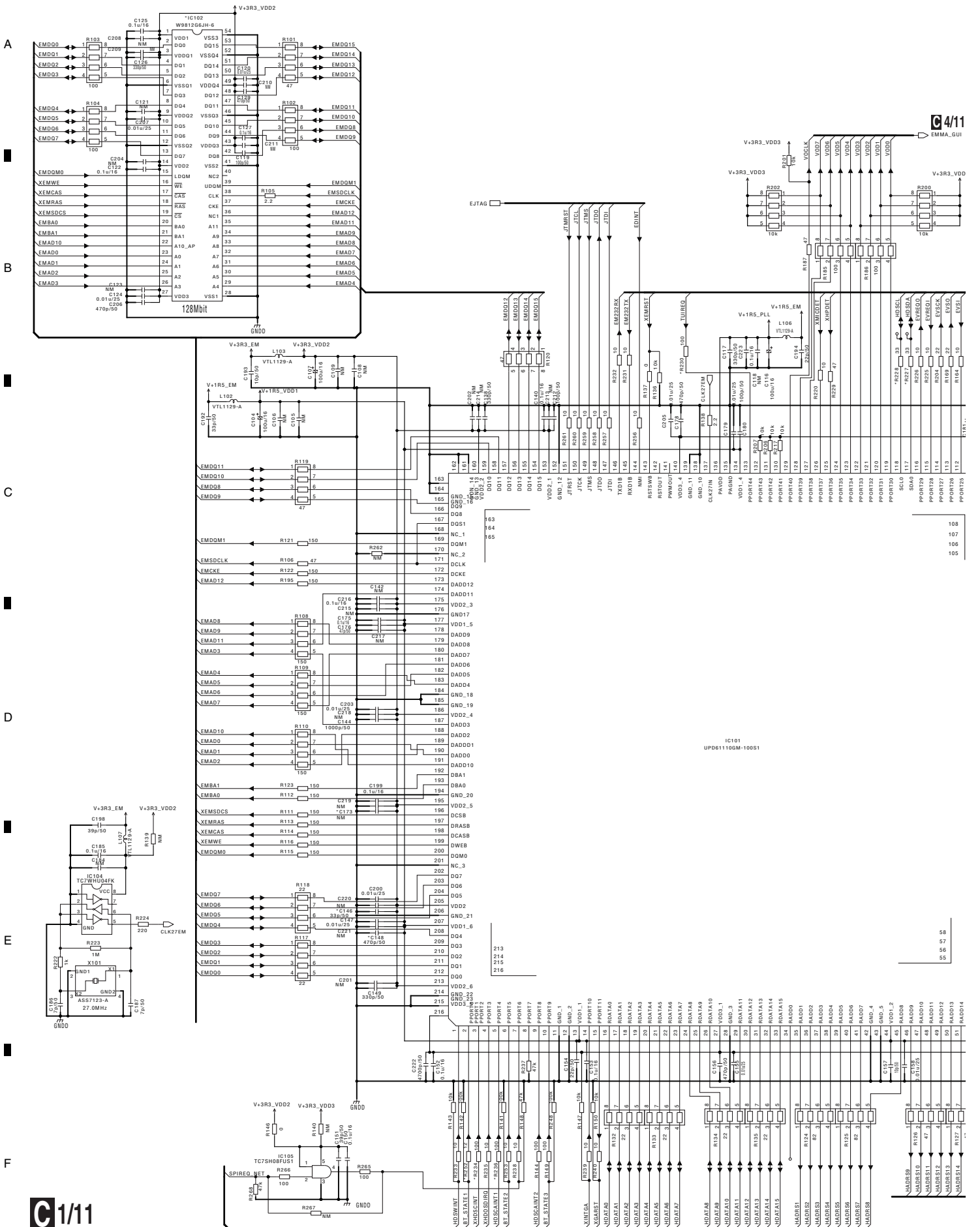
### PLACEMENT

CONTINUED PROTECTION AGAINST RISK OF FIRE, WITH SAME TYPE AND RATINGS OF FUSE.

- (FL) : Video Signal Route
- (Y) : Video Signal Route (Component Y)
- (PB) : Video Signal Route (Component PB)
- (PR) : Video Signal Route (Component PR)
- (FL) : Audio Signal Route (Front L ch)
- (SL) : Audio Signal Route (Surround L ch)
- (C) : Audio Signal Route (Center ch)
- (SBL) : Audio Signal Route (Surround Back L ch)
- (FH) : Audio Signal Route (Front Height L ch)
- (TU) : Audio Signal Route (Tuner L ch)
- (BT) : Audio Signal Route (BT L ch)



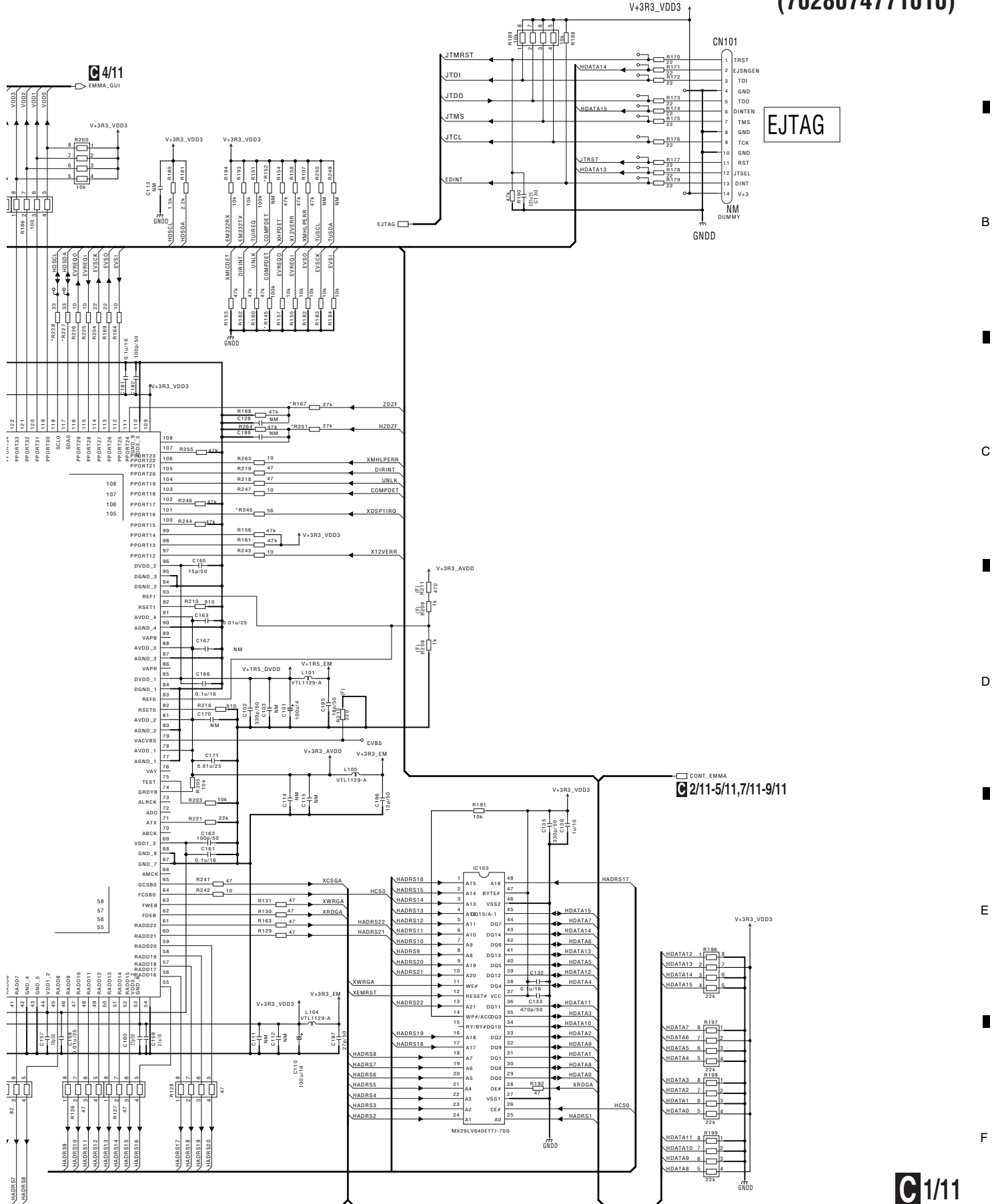
# 10.3 DMAIN ASSY (1/11)



VSX-1124-K



# C1/11 DMAIN ASSY (7028074771010)

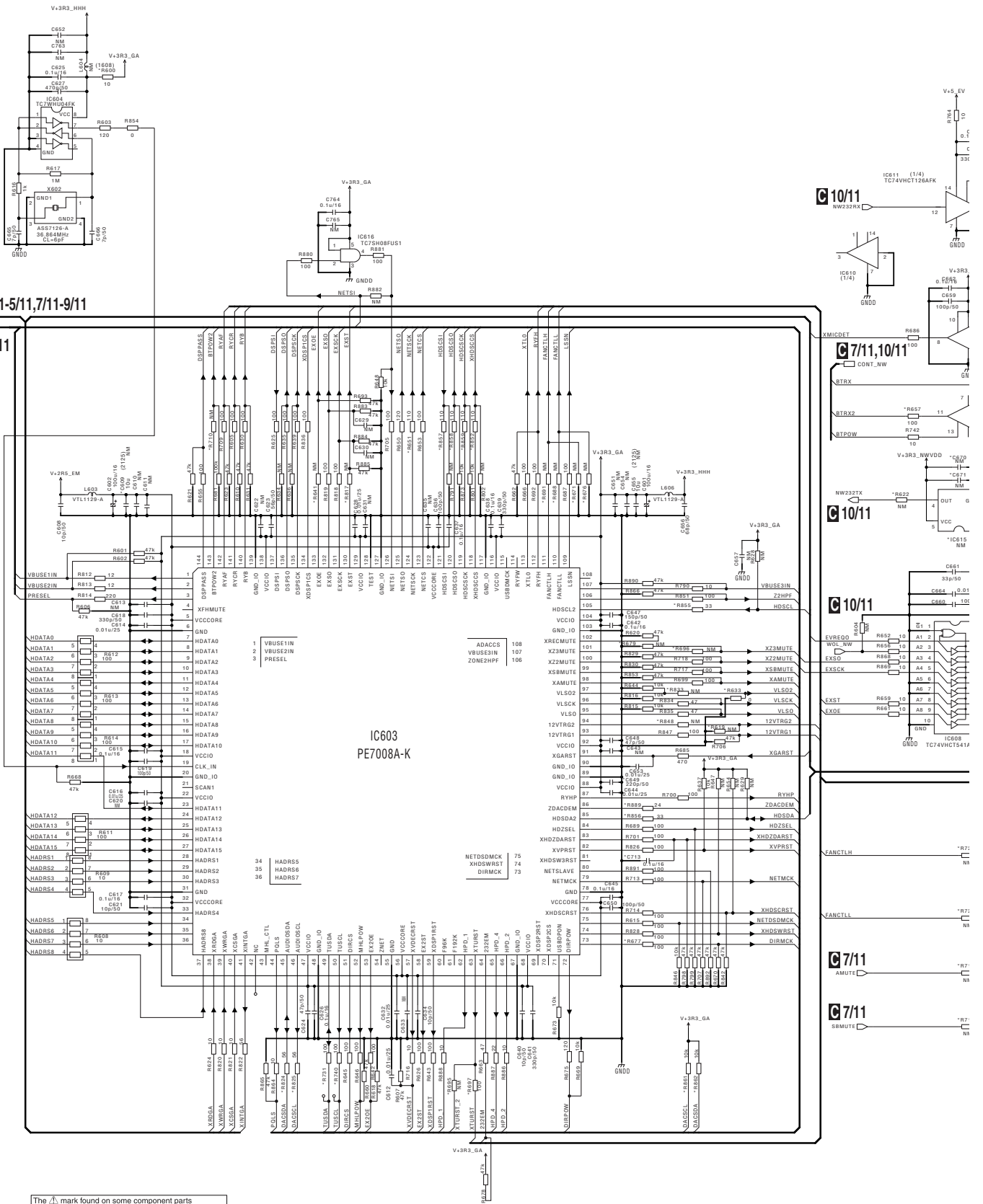


EJTAG

C2/11-5/11,7/11-9/11



# 10.4 DMAIN ASSY (2/11)

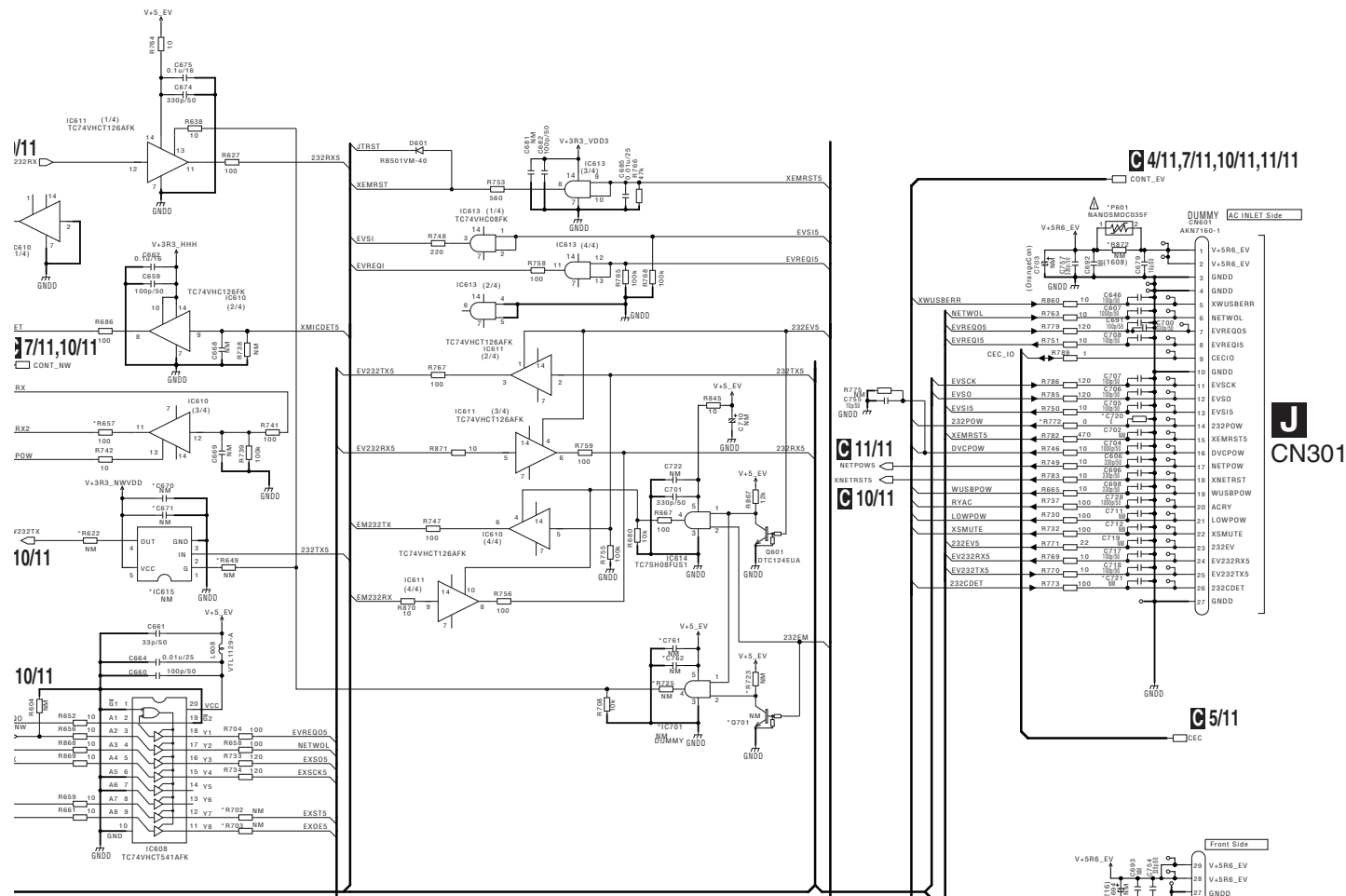


The Δ mark found on some component parts indicates the importance of the safety factor of the part. Therefore, when replacing, be sure to use parts of identical designation.

△印の部品は、安全上重要な部品です。交換するときは、安全および性能維持のため必ず指定の部品をご使用ください。

# C2/11 DMAIN ASSY (7028074771010)

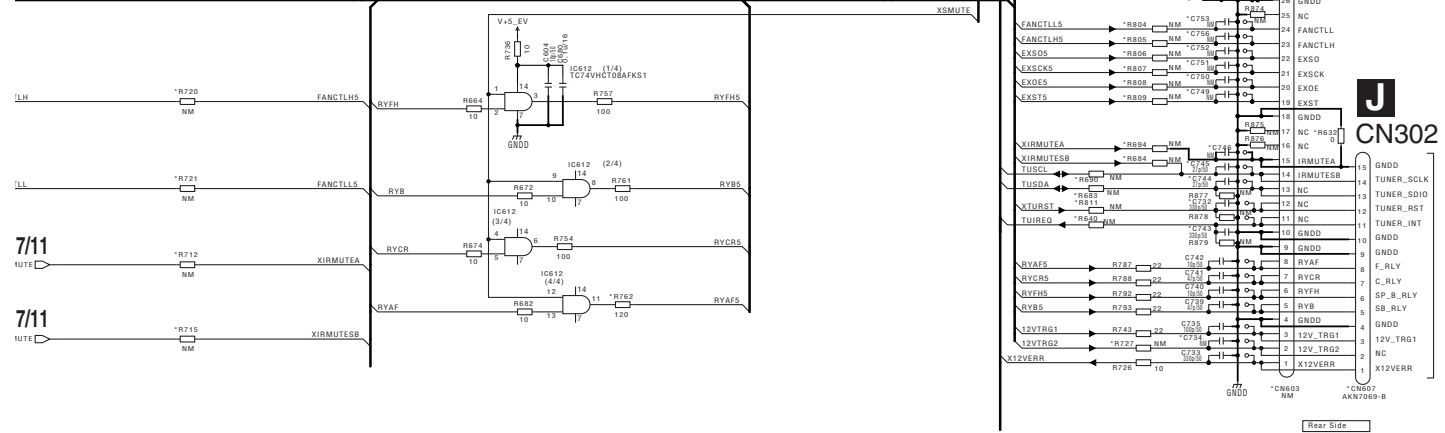
A



B

J

C



D

J

E

F

# 10.5 DMAIN ASSY (3/11)

1

2

3

4

A

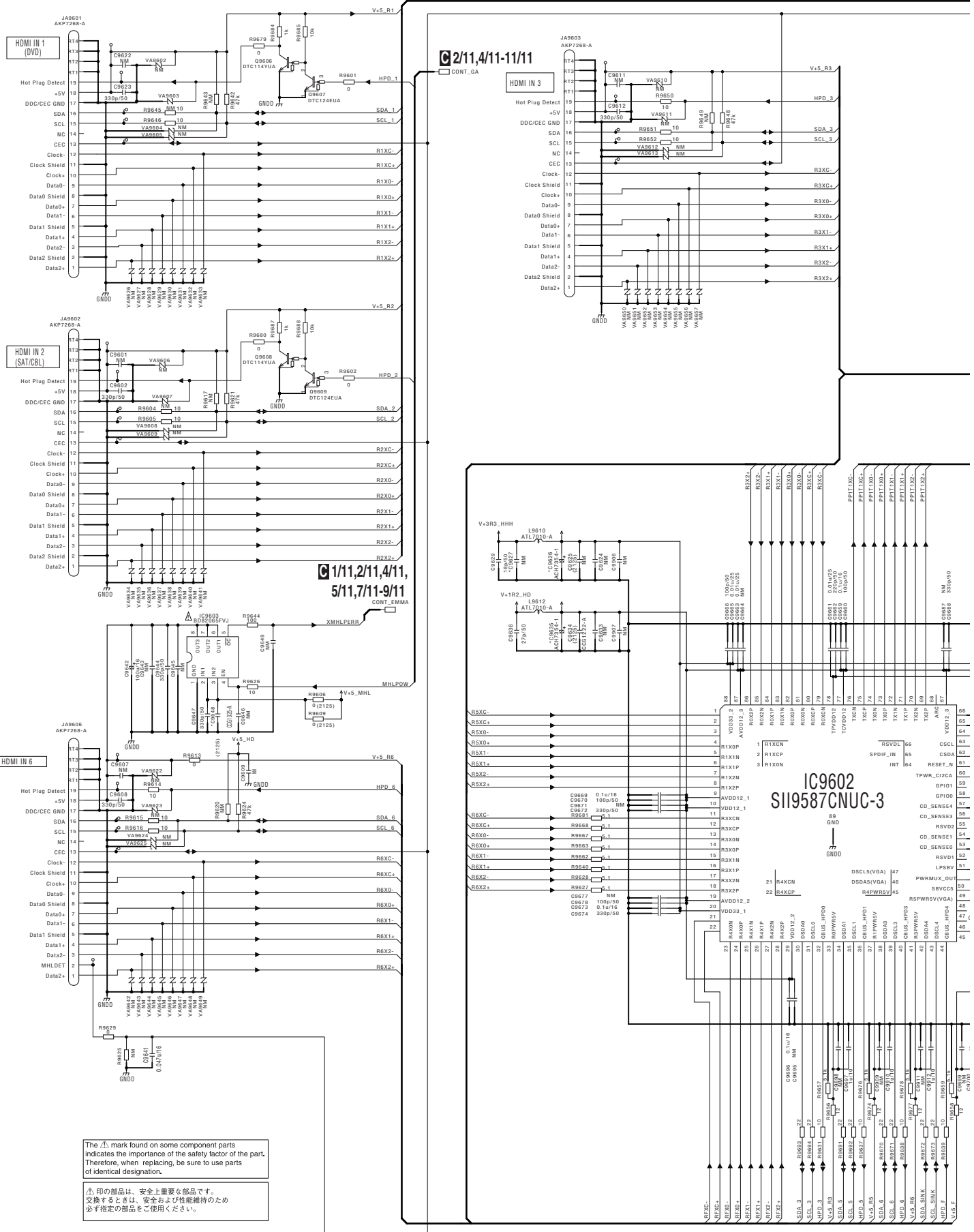
B

C

D

E

F



The  $\Delta$  mark found on some component parts indicates the importance of the safety factor of the part. Therefore, when replacing, be sure to use parts of identical designation.

△印の部品は、安全上重要な部品です。交換するときは、安全および性能維持のため必ず指定の部品をご使用ください。

**C3/11**

1

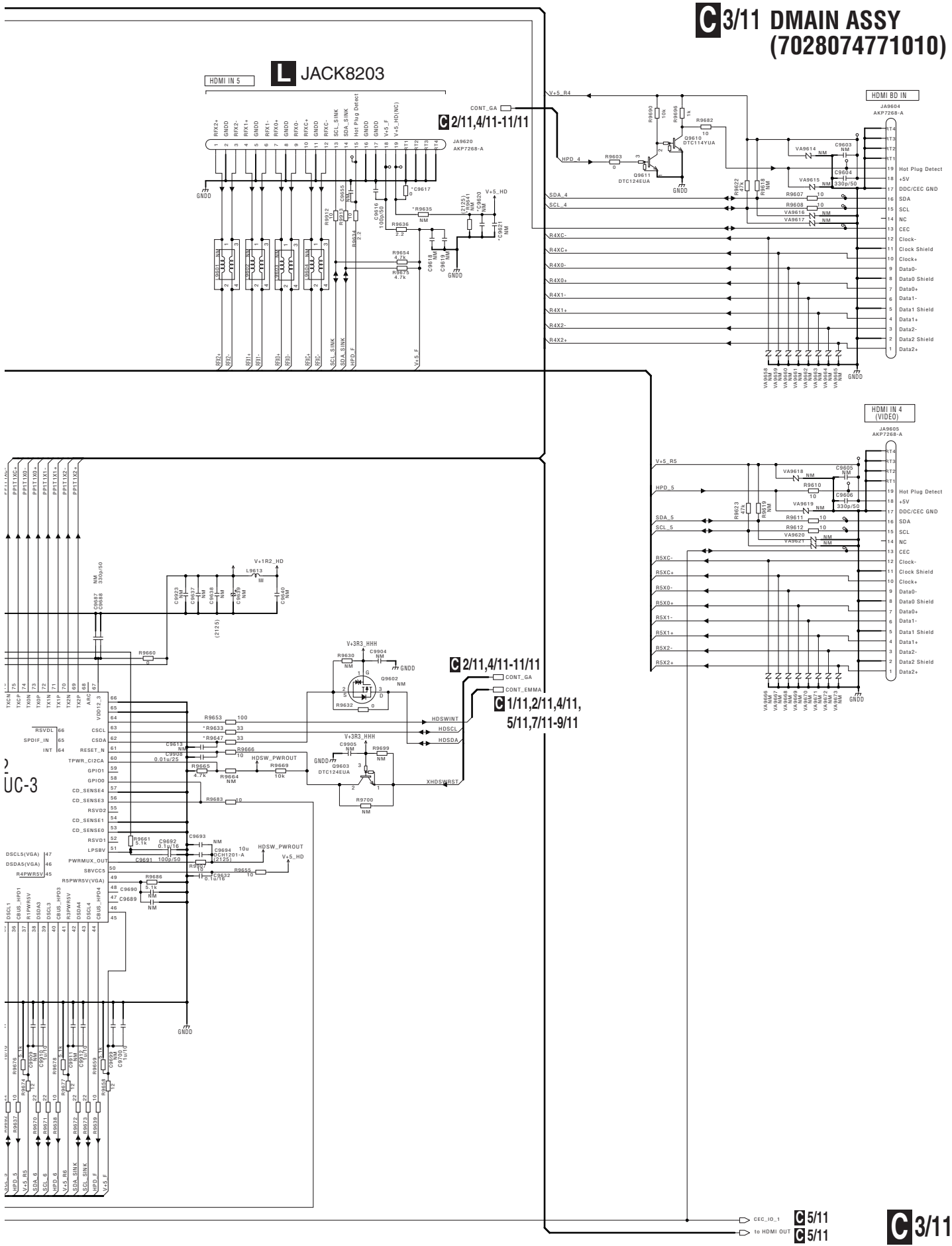
2

3

4

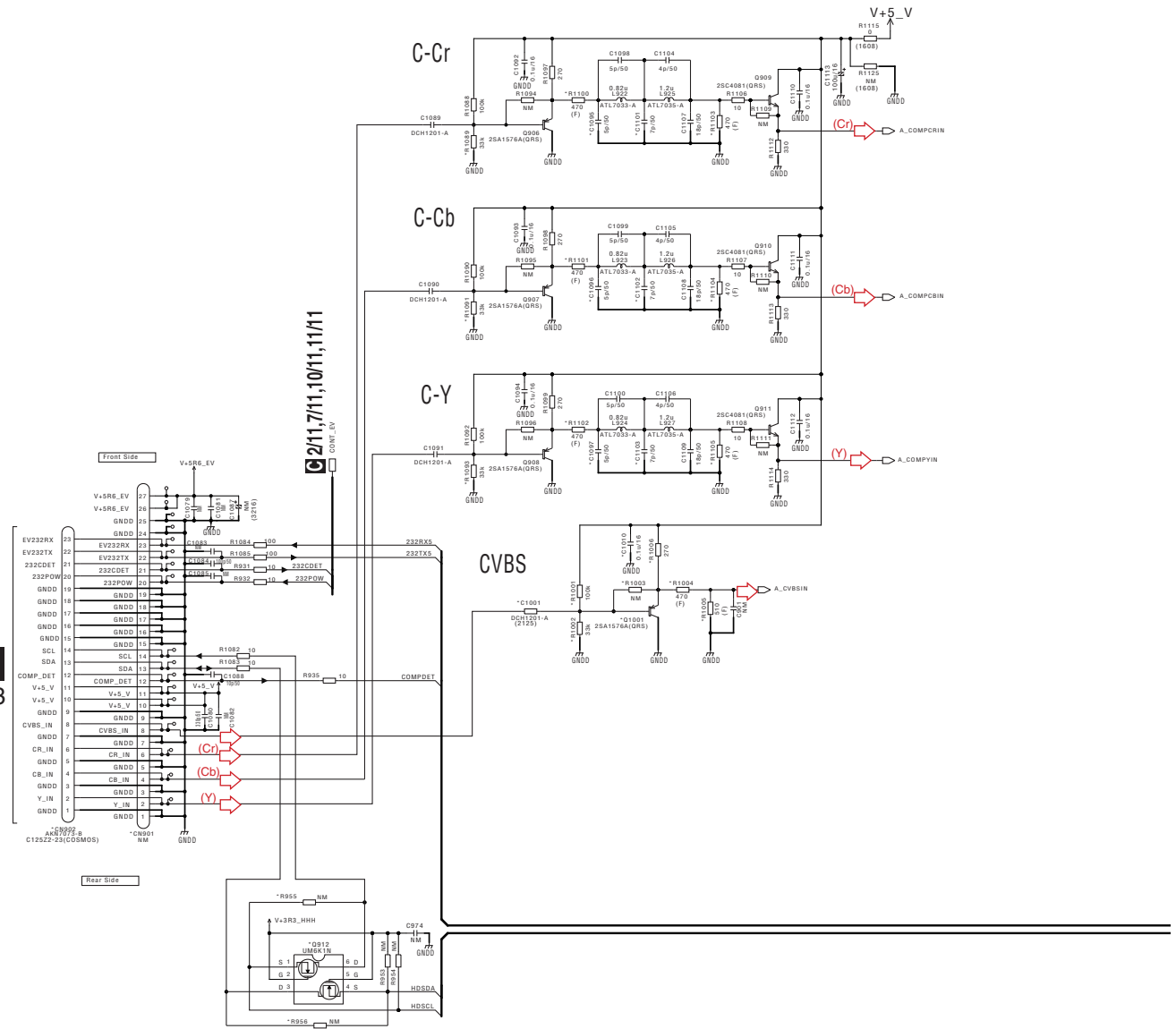
# C3/11 DMAIN ASSY (7028074771010)

A  
B  
C  
D  
E  
F



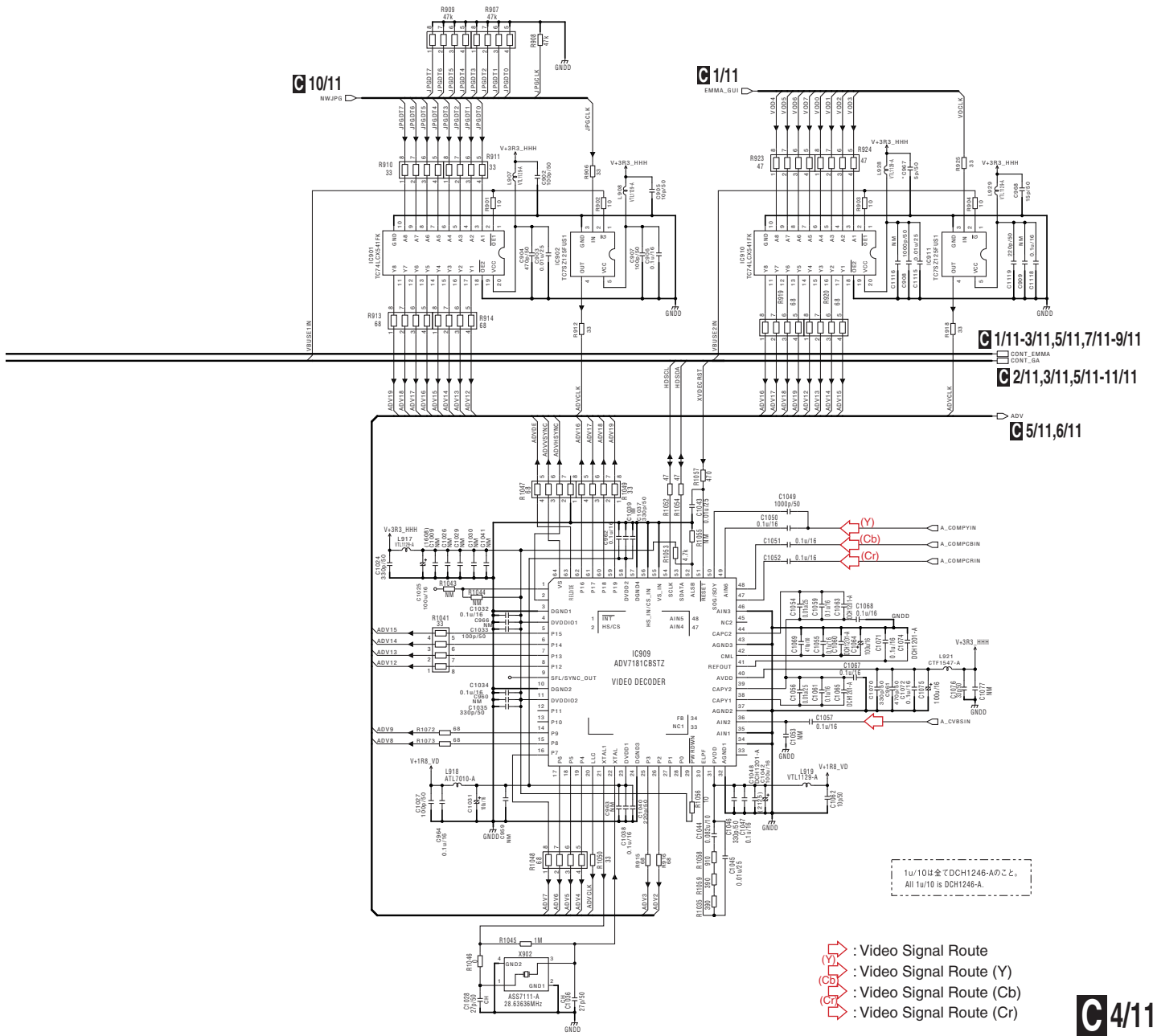
VSX-1124-K

# 10.6 DMAIN ASSY (4/11)



# C4/11 DMAIN ASSY (7028074771010)

A  
B  
C  
D  
E  
F



1u/104 is COCH1246-AのC.と、  
All 1u/10 is DCH1246-A.

VSX-1124-K

# 10.7 DMAIN ASSY (5/11)

1

2

3

4

A

B

C

D

E

F

1/11-4/11,7/11-9/11

CONT. EMMA

from HDMI IN

3/11

V-3R3\_HHH

GND0

GND0

GND0

GND0

GND0

GND0

GND0

GND0

GND0

GND0

GND0

GND0

GND0

GND0

GND0

GND0

GND0

GND0

GND0

GND0

GND0

GND0

GND0

GND0

GND0

GND0

GND0

GND0

GND0

GND0

GND0

GND0

GND0

GND0

GND0

GND0

GND0

GND0

GND0

GND0

GND0

GND0

GND0

GND0

GND0

GND0

GND0

GND0

GND0

GND0

GND0

GND0

GND0

GND0

GND0

GND0

GND0

GND0

GND0

GND0

GND0

GND0

GND0

GND0

GND0

GND0

GND0

GND0

GND0

GND0

GND0

GND0

GND0

GND0

GND0

GND0

GND0

GND0

GND0

GND0

GND0

GND0

GND0

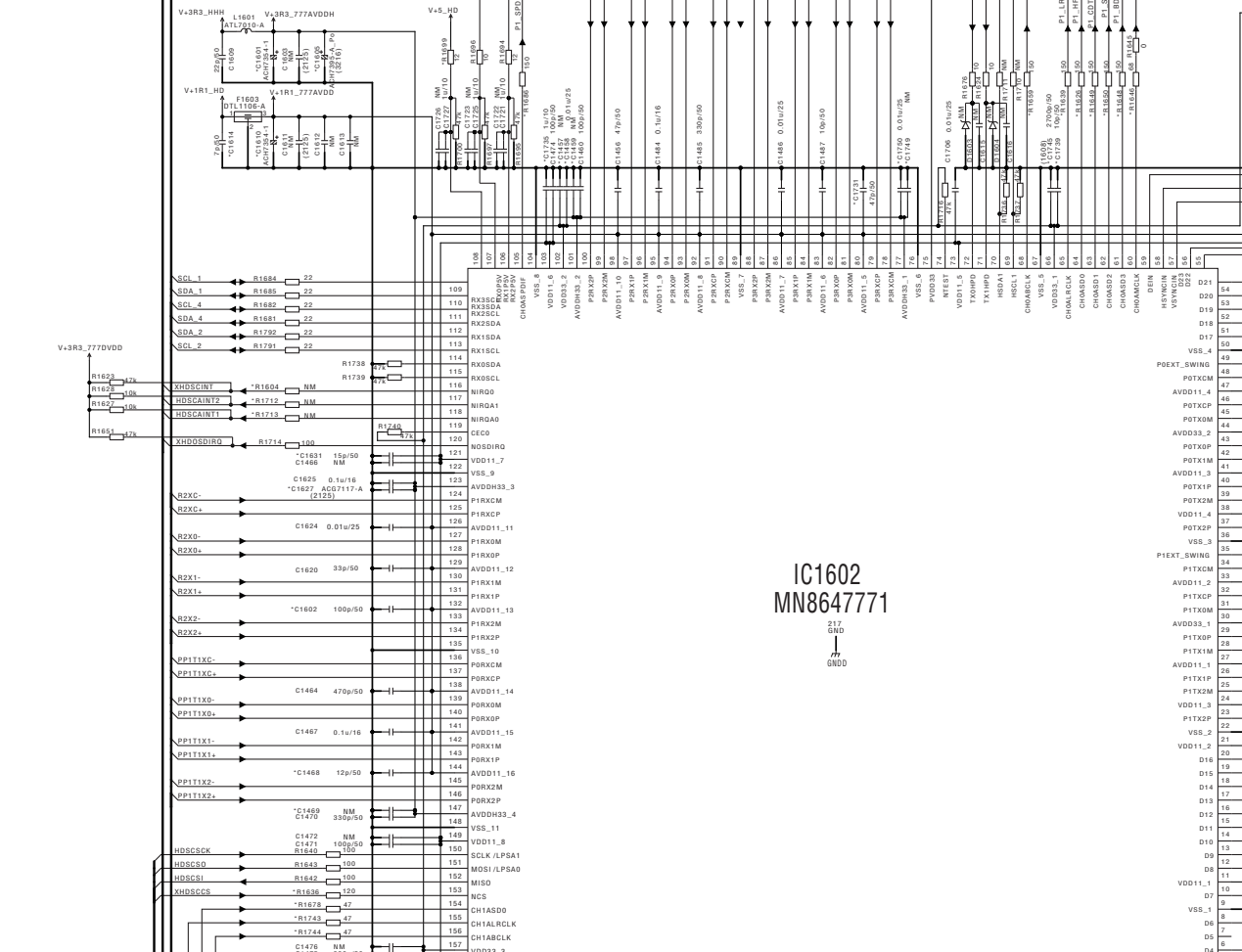
GND0

GND0

GND0

GND0

GND0



IC1602  
MN8647771

217  
GND0

GND0

GND0

GND0

GND0

GND0

GND0

GND0

GND0

GND0

GND0

GND0

GND0

GND0

GND0

GND0

GND0

GND0

GND0

GND0

GND0

GND0

GND0

GND0

GND0

GND0

GND0

GND0

GND0

GND0

GND0

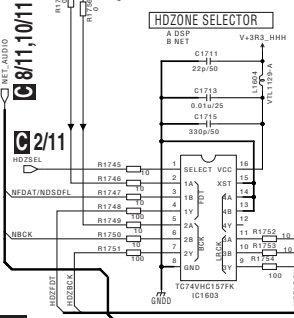
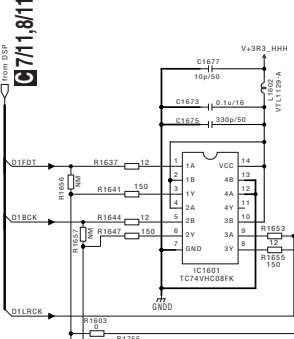
GND0

GND0

GND0

GND0

GND0



5/11

VSX-1124-K

1

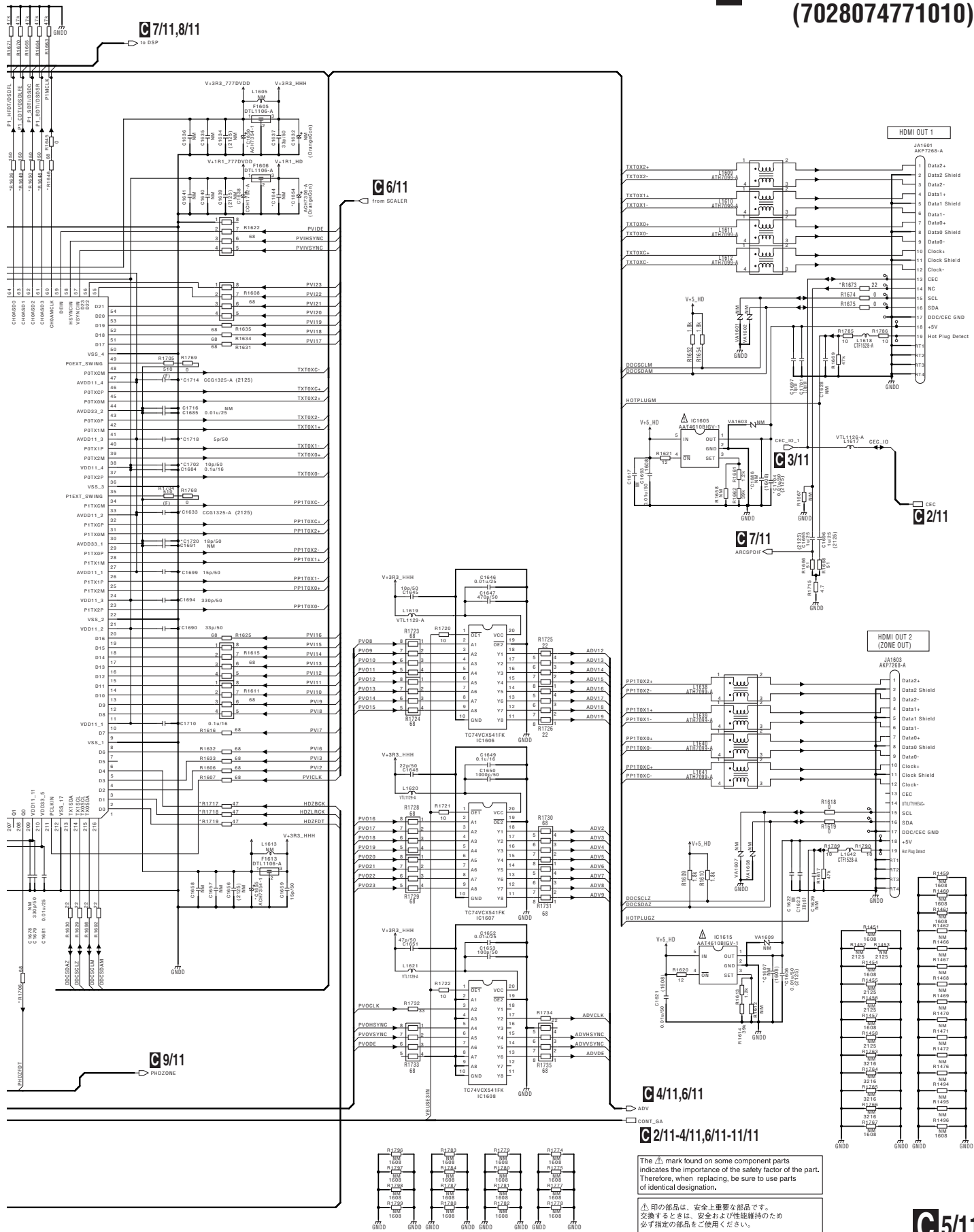
2

3

4



# C5/11 DMAIN ASSY (7028074771010)



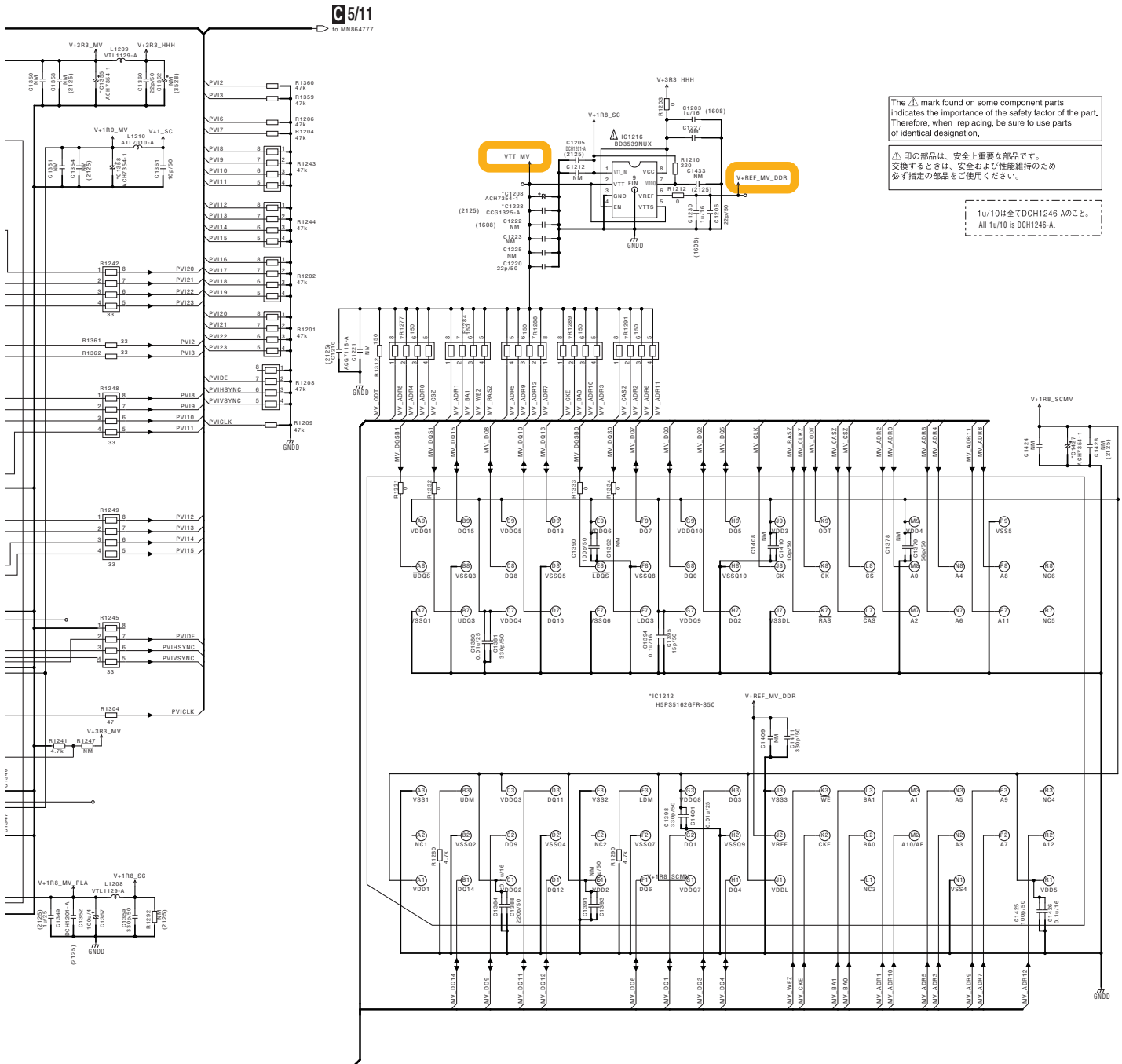
The  $\Delta$  mark found on some component parts indicates the importance of the safety factor of the part. Therefore, when replacing, be sure to use parts of identical designation.

$\Delta$ 印の部品は、安全上重要な部品です。交換するときは、安全および性能維持のため必ず指定の部品をご使用ください。



# C6/11 DMAIN ASSY (7028074771010)

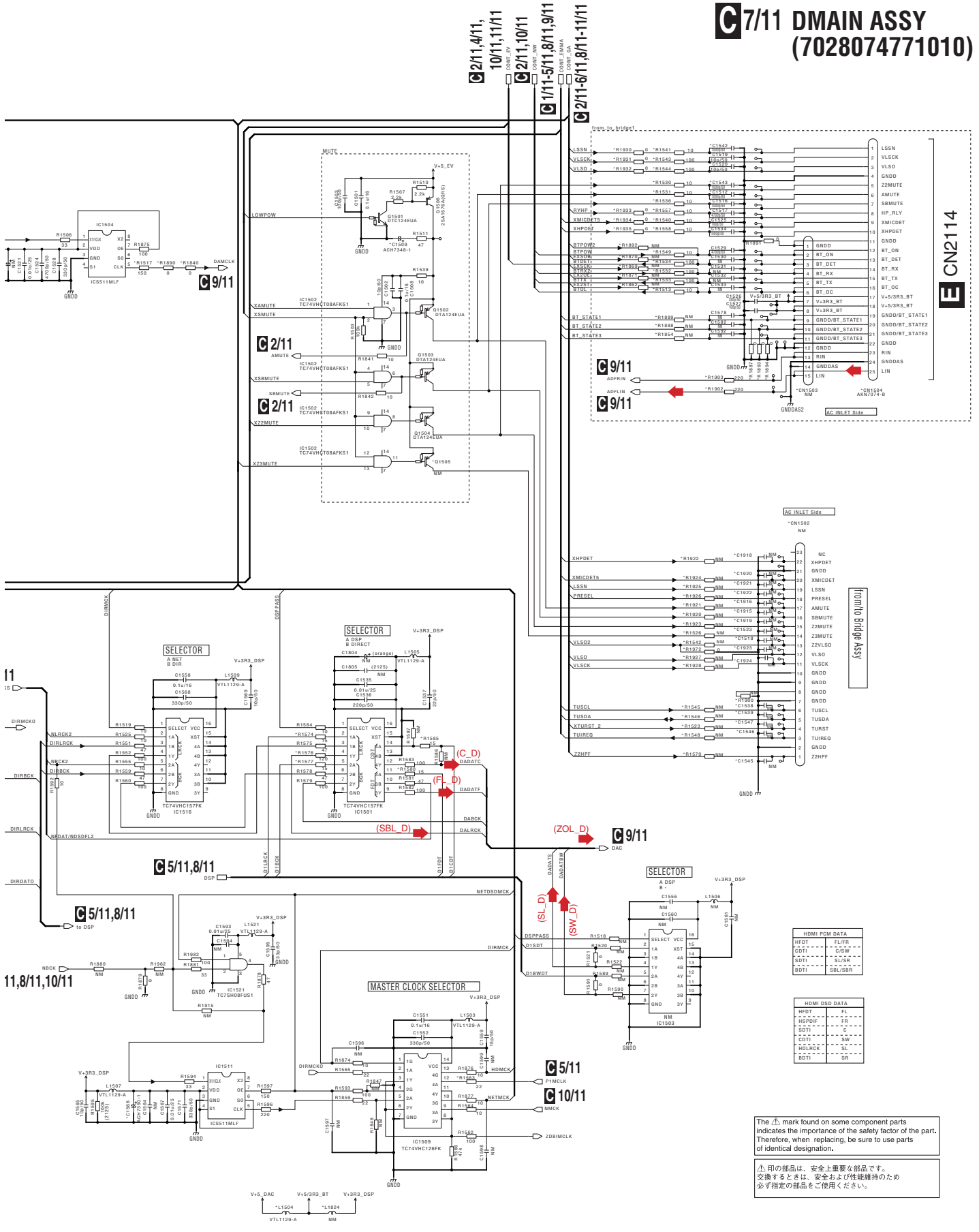
A  
B  
C  
D  
E  
F



VSX-1124-K



# C7/11 DMAIN ASSY (7028074771010)



**E** CN2114

AC INLET Side

From to Bridge Assy

HDMI PCM DATA

HFDT	FL
CDT	FR
SDT	LR
BDT	RR
EDT	SL/SR
	BL/SBL
	BR/SBR

HDMI OSD DATA

NM	FL
HFDT	FR
SDT	LR
BDT	RR
EDT	SL
	SR

The  $\Delta$  mark found on some component parts indicates the importance of the safety factor of the part. Therefore, when replacing, be sure to use parts of identical designation.

△印の部品は、安全上重要な部品です。交換するときは、安全および性能維持のため必ず指定の部品をご使用ください。

V-5_DAC	V-5/3R3_BT	V-3R3_DSP
*L1584	*L1824	NM
VTL1129-A		

BT POWER	BT
REG-H	EXTERNAL
	5V
	BUILT IN
	3.3V

VSX-1124-K

**C7/11**

# 10.10 DMAIN ASSY (8/11)

A

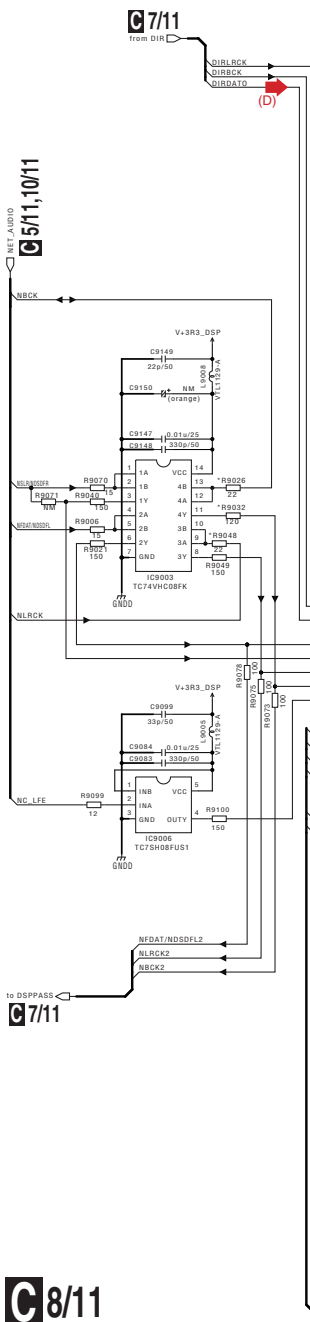
B

C

D

E

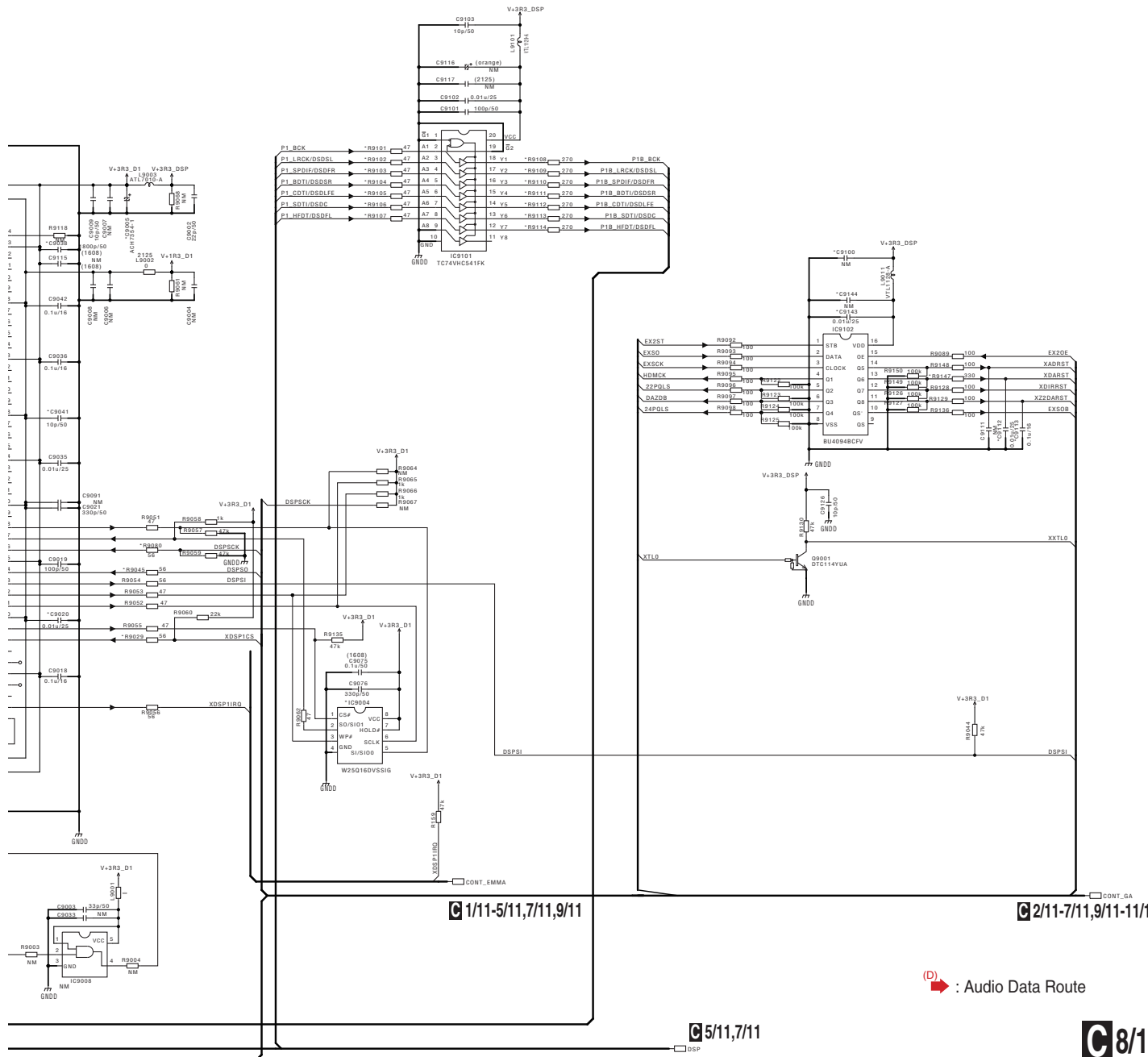
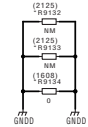
F



VSX-1124-K

# C8/11 DMAIN ASSY (7028074771010)

A  
B  
C  
D  
E  
F



© 1/11-5/11,7/11,9/11

© 2/11-7/11,9/11-11/11

(D) : Audio Data Route

© 5/11,7/11

# C8/11

VSX-1124-K

# 10.11 DMAIN ASSY (9/11)

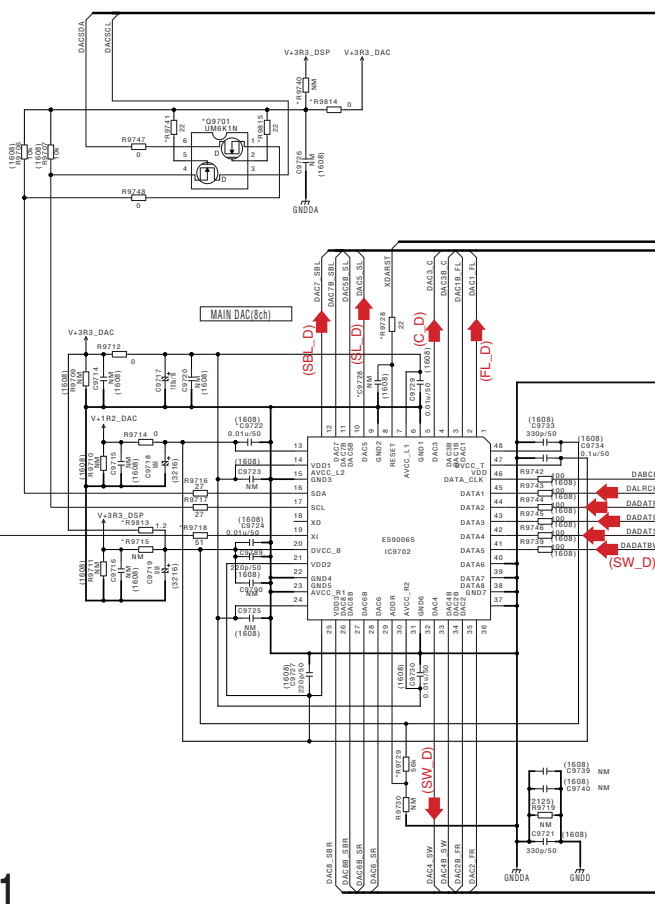
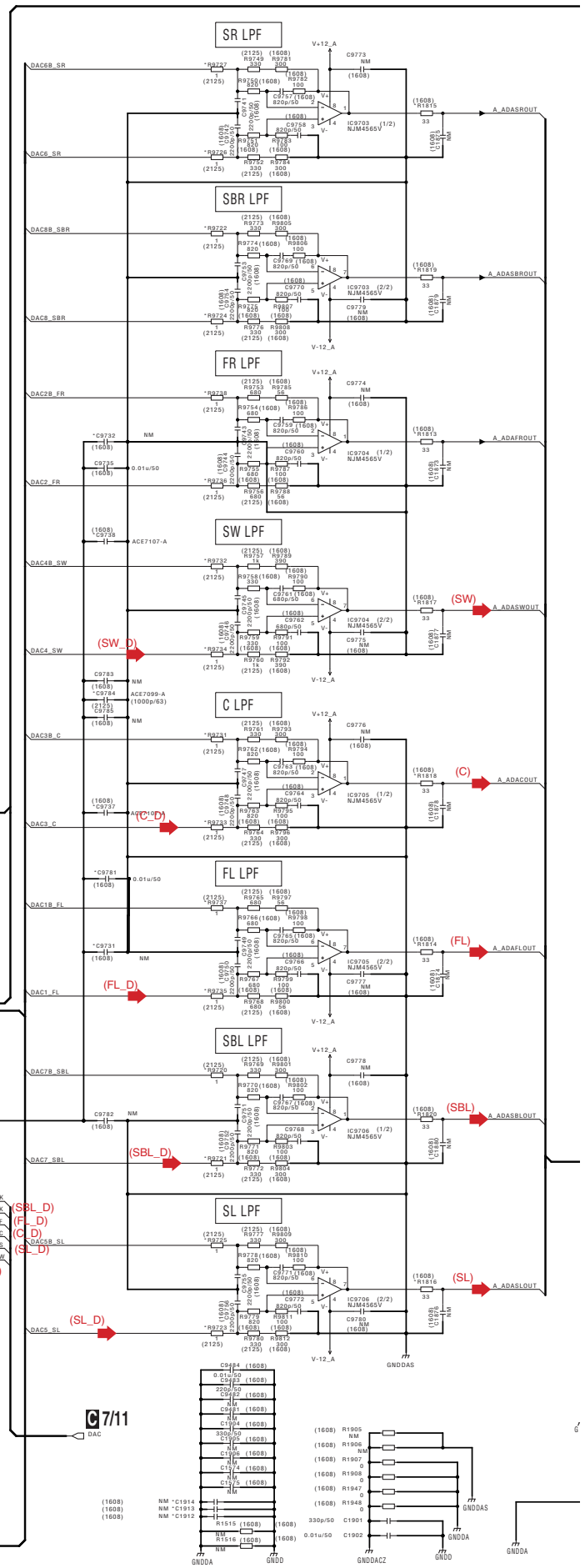
- ➡ : Audio Signal Route (L ch)
- (FL) ➡ : Audio Signal Route (Front L ch)
- (SL) ➡ : Audio Signal Route (Surround L ch)
- (C) ➡ : Audio Signal Route (Center ch)
- (SBL) ➡ : Audio Signal Route (Surround Back L ch)
- (SW) ➡ : Audio Signal Route (Subwoofer ch)
- (ZOL) ➡ : Audio Signal Route (Zone L ch)
- (D) ➡ : Audio Data Route
- (FL\_D) ➡ : Audio Data Route (Front L ch)
- (SL\_D) ➡ : Audio Data Route (Surround L ch)
- (C\_D) ➡ : Audio Data Route (Center ch)
- (SBL\_D) ➡ : Audio Data Route (Surround Back L ch)
- (SW\_D) ➡ : Audio Data Route (Subwoofer ch)
- (ZOL\_D) ➡ : Audio Data Route (Zone L ch)

**NOTE**

1. RESISTORS  
Unit: k-Ω, Ω, M-Ω, Q, or Q unless otherwise noted.  
Rated Power: 1/16w or NETWORKS-1/32w unless otherwise noted.  
Tolerance: ±5% unless otherwise noted.
2. CAPACITORS  
Unit: p-F or u-F unless otherwise noted.  
Ratings: Capacity(F)/Voltage(V) unless otherwise noted.  
YEC: ESRV, ERE, CAGV, SV, CAGSV, CH, CAGCH, SCH, CCSSCH  
A: CEAT, ZL, CEAZL, DKS, CHXSG  
3. NM: No Mount

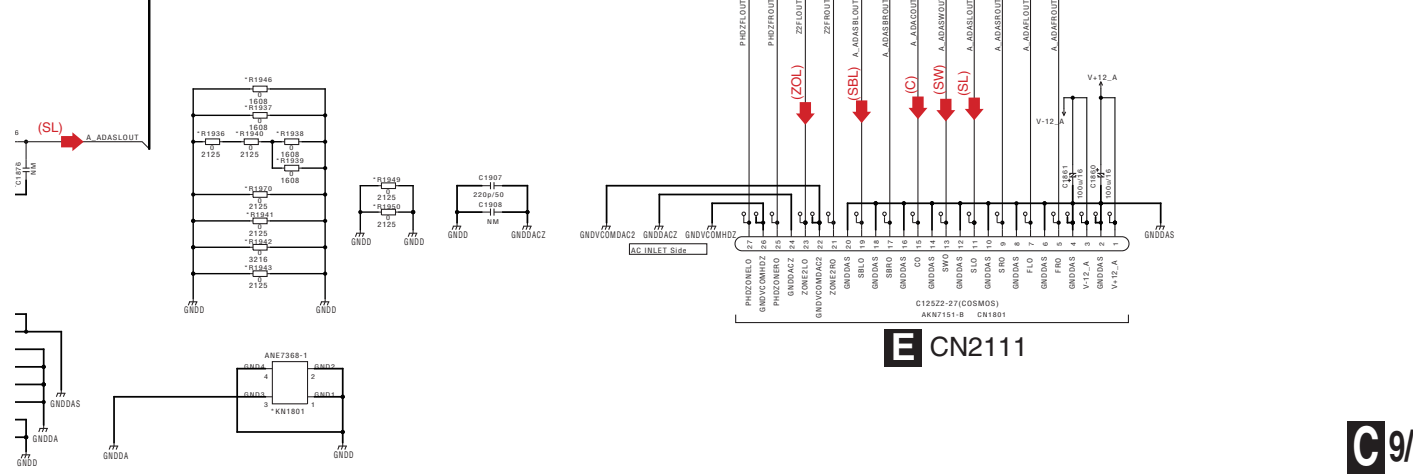
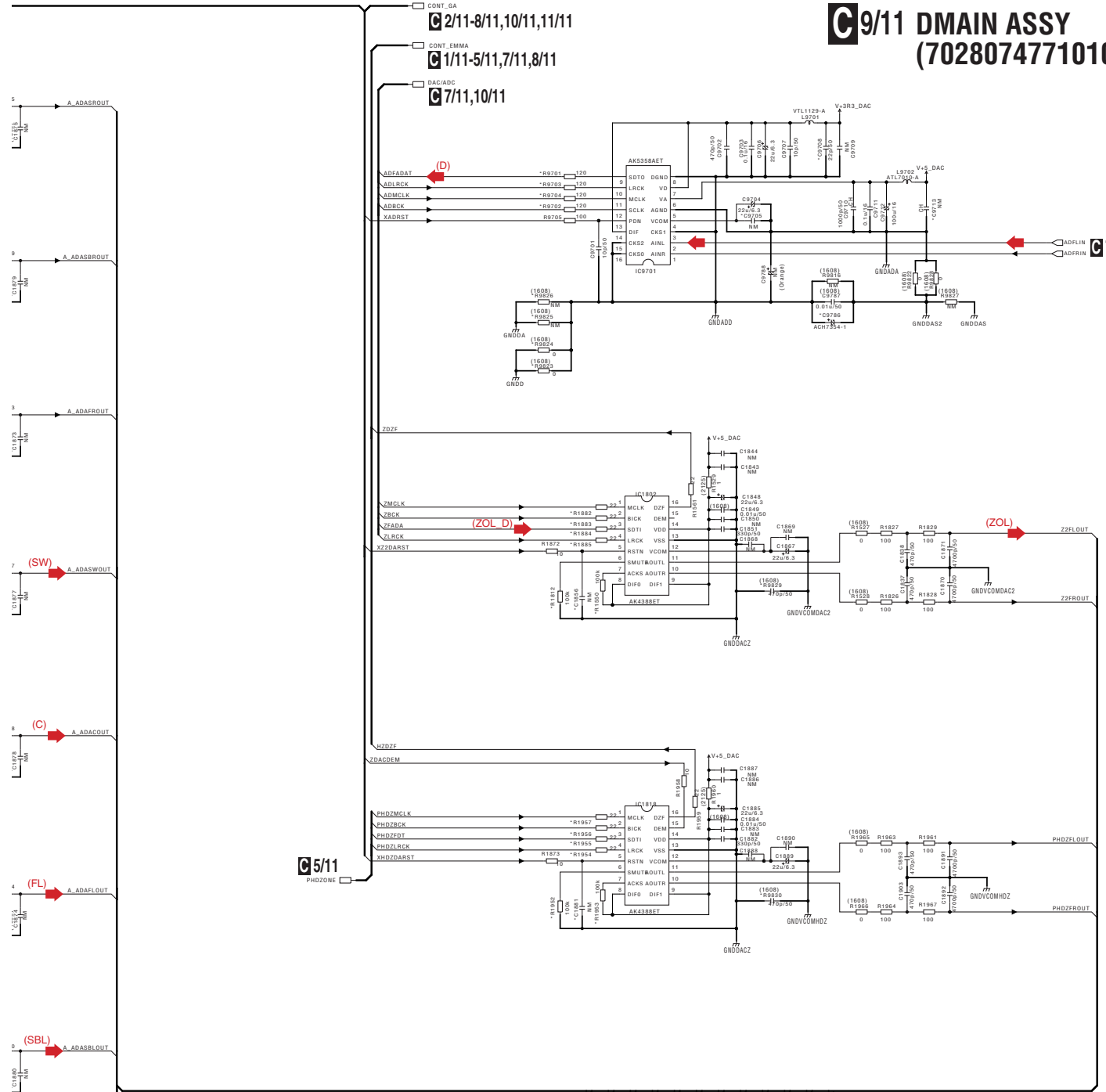
The Δ mark found on some component parts indicates the importance of the safety factor of the part. Therefore, when replacing, be sure to use parts of identical designation.

△印の部品は、安全上重要な部品です。交換するときは、安全および性能維持のため必ず指定の部品をご使用ください。

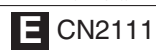




# C9/11 DMAIN ASSY (7028074771010)



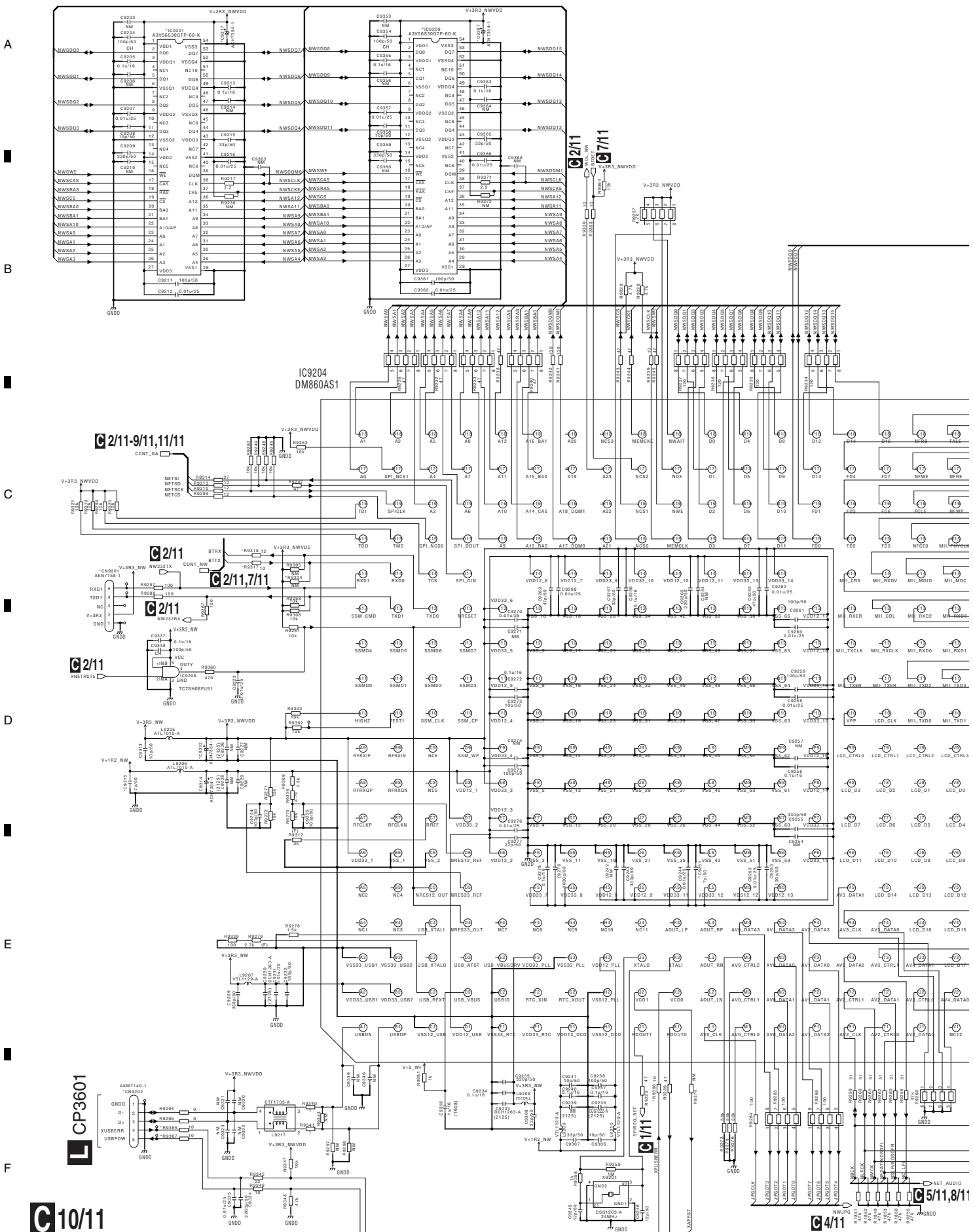
A  
B  
C  
D  
E  
F



VSX-1124-K

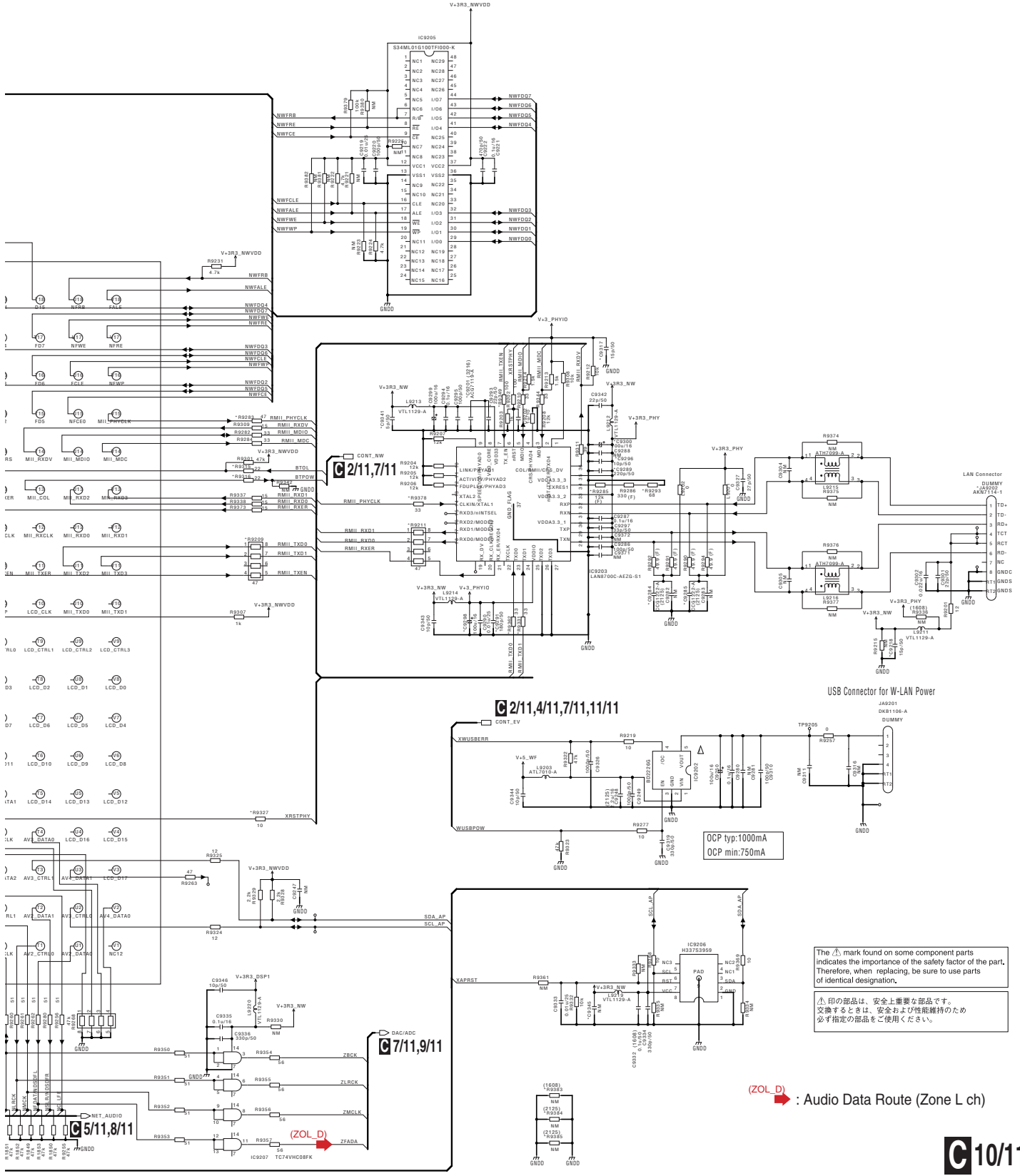


# 10.12 DMAIN ASSY (10/11)



# C10/11 DMAIN ASSY (7028074771010)

A  
B  
C  
D  
E  
F



The  $\Delta$  mark found on some component parts indicates the importance of the safety factor of the part. Therefore, when replacing, be sure to use parts of identical designation.

$\Delta$ 印の部品は、安全上重要な部品です。交換するときは、安全および性能維持のため必ず指定の部品をご使用ください。

(ZOL\_D)  $\rightarrow$  : Audio Data Route (Zone L ch)

VSX-1124-K

# 10.13 DMAIN ASSY (11/11)

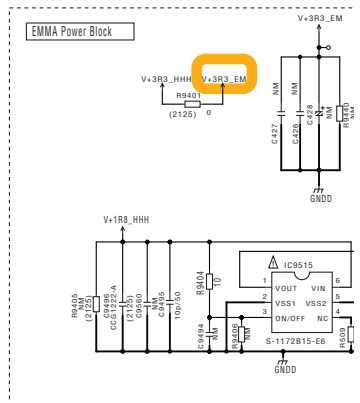
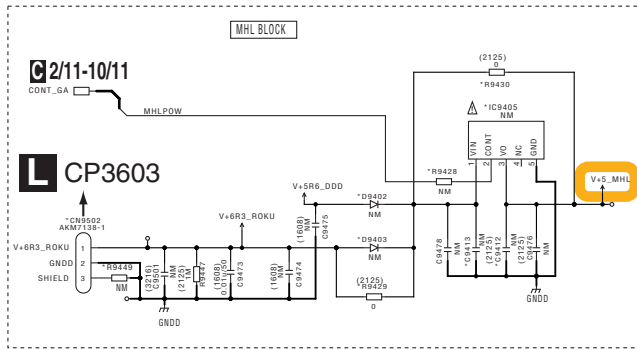
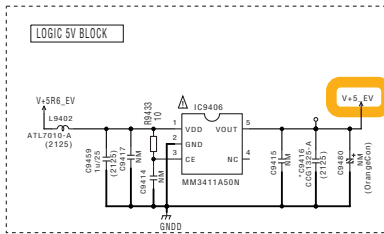
1

2

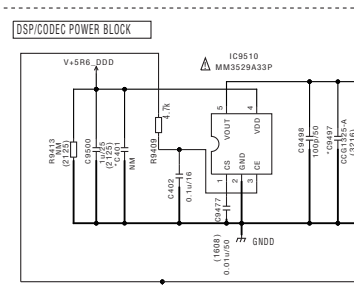
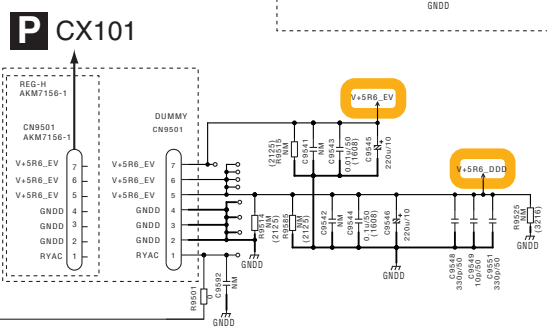
3

4

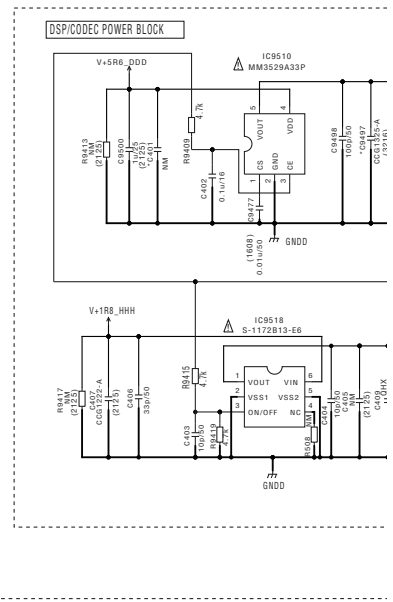
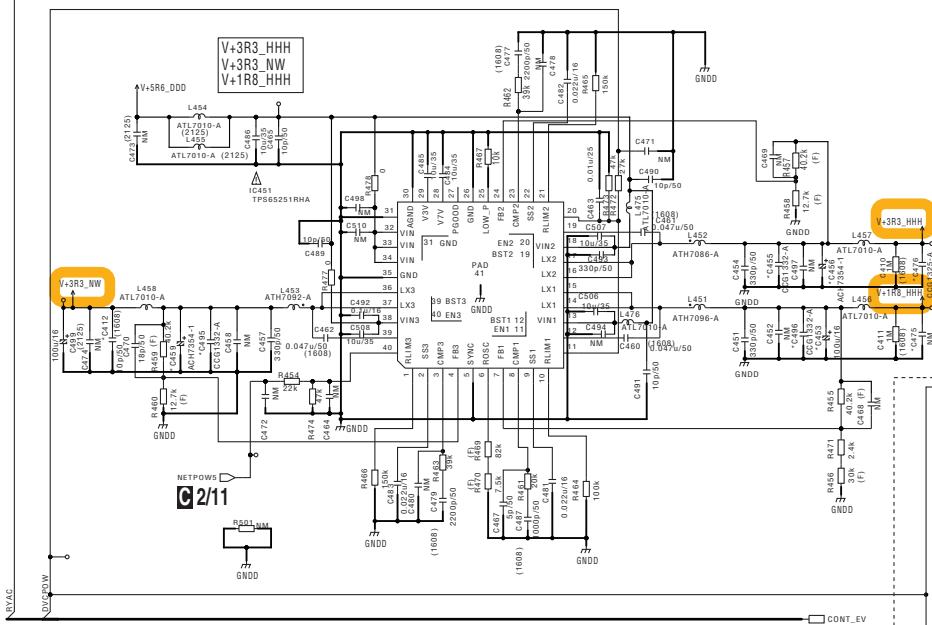
A



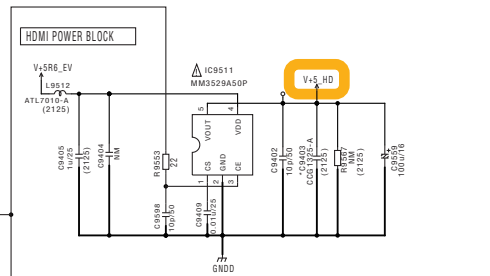
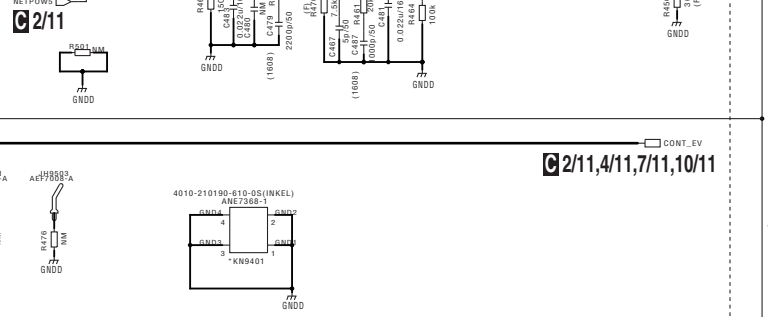
B



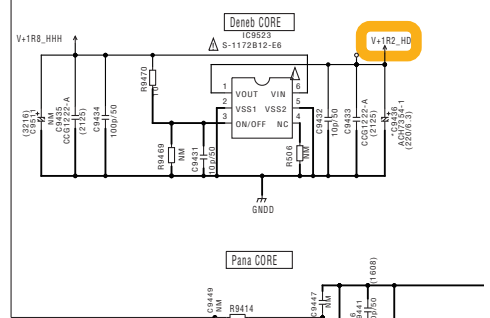
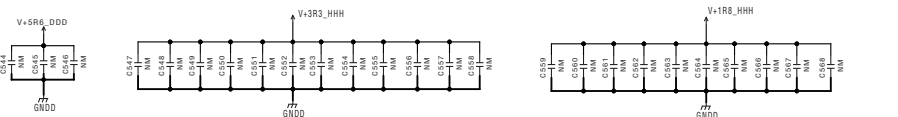
C



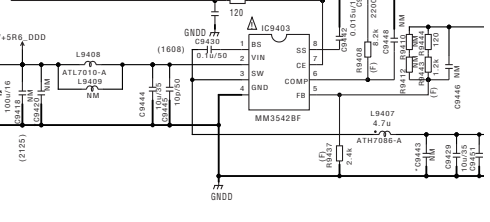
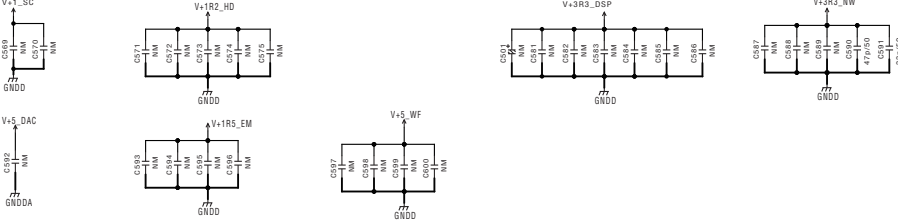
D



E



F



C11/11

VSX-1124-K

1

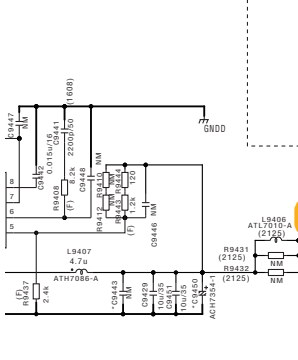
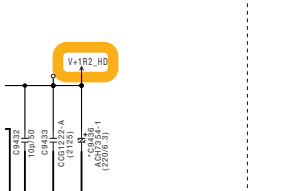
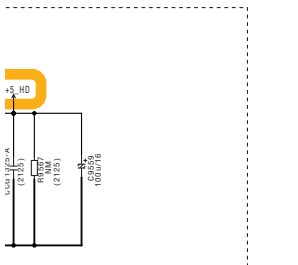
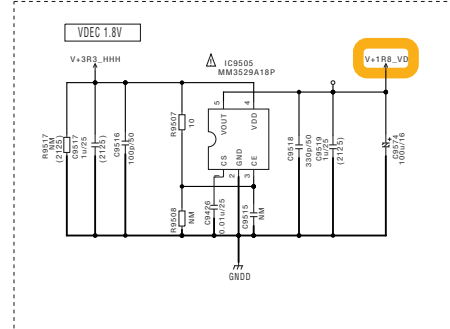
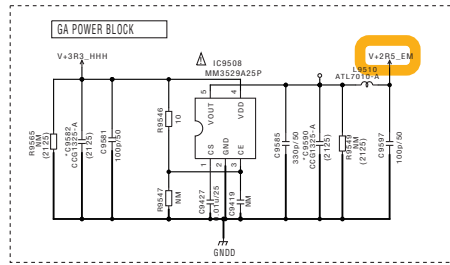
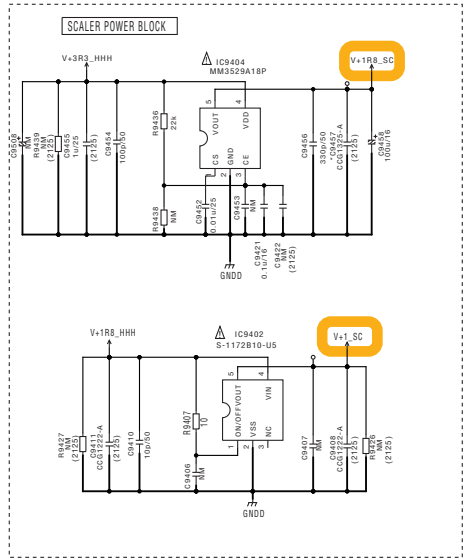
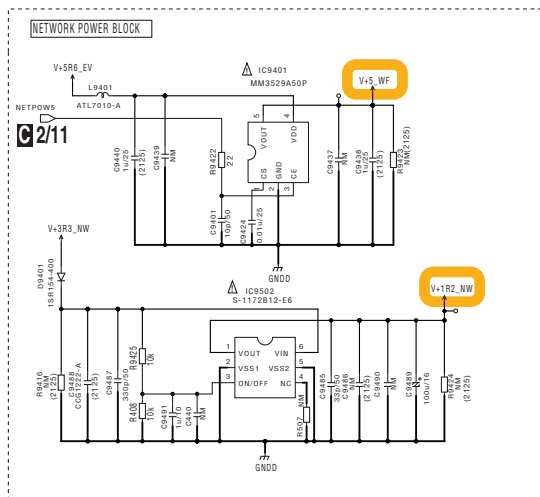
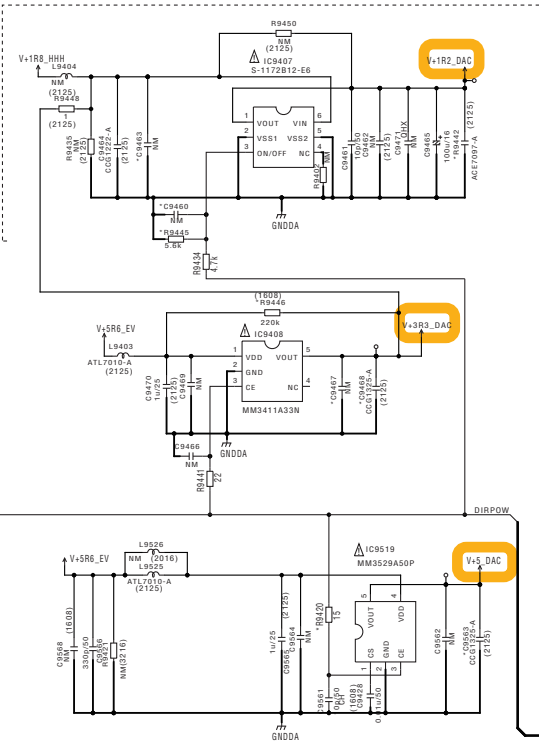
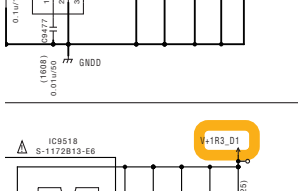
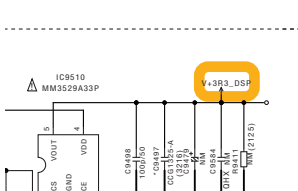
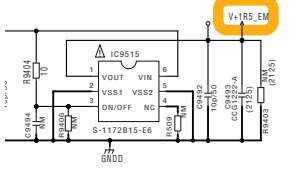
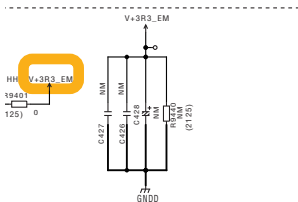
2

3

4

# C11/11 DMAIN ASSY (7028074771010)

A  
B  
C  
D  
E  
F



The  $\Delta$  mark found on some component parts indicates the importance of the safety factor of the part. Therefore, when replacing, be sure to use parts of identical designation.

$\Delta$ 印の部品は、安全上重要な部品です。交換するときは、安全および性能維持のため必ず指定の部品をご利用ください。

1u/10は全てDCH1246-Aのこと。  
All 1u/10 is DCH1246-A.  
CCG1222-A: 4.7u/25V



Contrast Table for DMAIN ASSY

AWX1662 (REG-H\_CU): VSX-1124-K/CUXESM, VSX-1129-K/CUXE, VSX-80/CUXE
AWX1913 (REG-H\_SY): VSX-924-K/SYXE8, VSX-924-S/SYXE8
AWX1915 (REG-H\_JP): VSA-1124/JXE
AWX1916 (REG-H\_DL): VSX-924-K/FXE, VSX-924-K/DLXE, VSX-924-K/AXQ5

C/1/11

Table with 5 columns: Part Number, AWX1662 (REG-H\_CU), AWX1913 (REG-H\_SY), AWX1915 (REG-H\_JP), AWX1916 (REG-H\_DL). Rows include C146, C148, C173, R167, R227, R228, R230, R234, R236, R245, R251, R252.

C/2/11

Table with 5 columns: Part Number, AWX1662 (REG-H\_CU), AWX1913 (REG-H\_SY), AWX1915 (REG-H\_JP), AWX1916 (REG-H\_DL). Rows include C609, C649, C713, C721, C720, R600, R640, R651, R657, R677, R683, R690, R697, R710, R731, R740, R762, R772, R811, R824, R825, R852, R855, R856, R857, R858, R859, R861, R862, R889.

C/3/11

Table with 5 columns: Part Number, AWX1662 (REG-H\_CU), AWX1913 (REG-H\_SY), AWX1915 (REG-H\_JP), AWX1916 (REG-H\_DL). Rows include C9626, C9627, C9648, R9633, R9647.

C/4/11

Table with 5 columns: Part Number, AWX1662 (REG-H\_CU), AWX1913 (REG-H\_SY), AWX1915 (REG-H\_JP), AWX1916 (REG-H\_DL). Row includes C967.

C/5/11

Table with 5 columns: Part Number, AWX1662 (REG-H\_CU), AWX1913 (REG-H\_SY), AWX1915 (REG-H\_JP), AWX1916 (REG-H\_DL). Rows include C1457, C1458, C1459, C1468, C1469, C1602, C1605, C1606, C1607, C1614, C1627, C1631, C1633, C1644, C1654, C1655, C1660, C1661, C1662, C1663, C1671, C1682, C1683, C1686, C1690, C1694, C1699, C1702, C1704, C1714, C1718, C1720, C1731, C1735, C1739, C1745.

C/5/11

Table with 5 columns: Part Number, AWX1662 (REG-H\_CU), AWX1913 (REG-H\_SY), AWX1915 (REG-H\_JP), AWX1916 (REG-H\_DL). Rows include C1749, C1750, R1604, R1605, R1626, R1636, R1639, R1646, R1648, R1649, R1650, R1659, R1673, R1677, R1678, R1679, R1680, R1686, R1687, R1690, R1699, R1706, R1707, R1708, R1709, R1712, R1713, R1717, R1718, R1719, R1743, R1744.

C/6/11

Table with 5 columns: Part Number, AWX1662 (REG-H\_CU), AWX1913 (REG-H\_SY), AWX1915 (REG-H\_JP), AWX1916 (REG-H\_DL). Rows include C1210, C1228, C1328.

C/7/11

Table with 5 columns: Part Number, AWX1662 (REG-H\_CU), AWX1913 (REG-H\_SY), AWX1915 (REG-H\_JP), AWX1916 (REG-H\_DL). Rows include C1505, C1506, R1513, R1517, R1532, R1533, R1534, R1549, R1840, R1854, R1862, R1869, R1870, R1871, R1887, R1888, R1889, R1890, R1892, R1893, R1894, R1902, R1903, C1572, C1576, C1585, R1535, R1563, R1569, R1574, R1576, R1577, R1580, R1585, R1837, R1844, R1855, R1897, L1504, L1824.

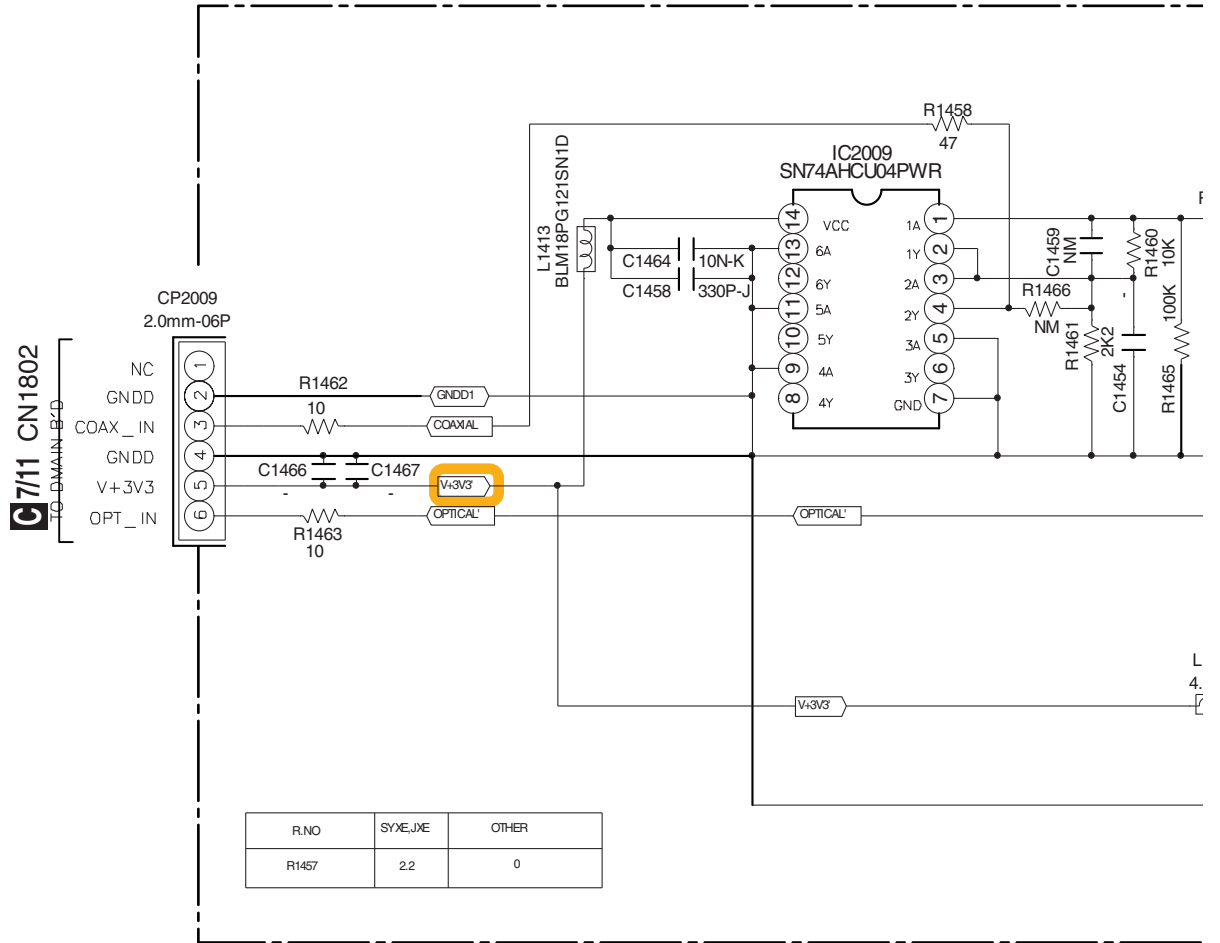
C/8/11

Table with 5 columns: Part Number, AWX1662 (REG-H\_CU), AWX1913 (REG-H\_SY), AWX1915 (REG-H\_JP), AWX1916 (REG-H\_DL). Rows include C9005, C9010, C9011, C9020, C9029, C9038, C9041, C9043, C9044, C9046, C9054, C9073.

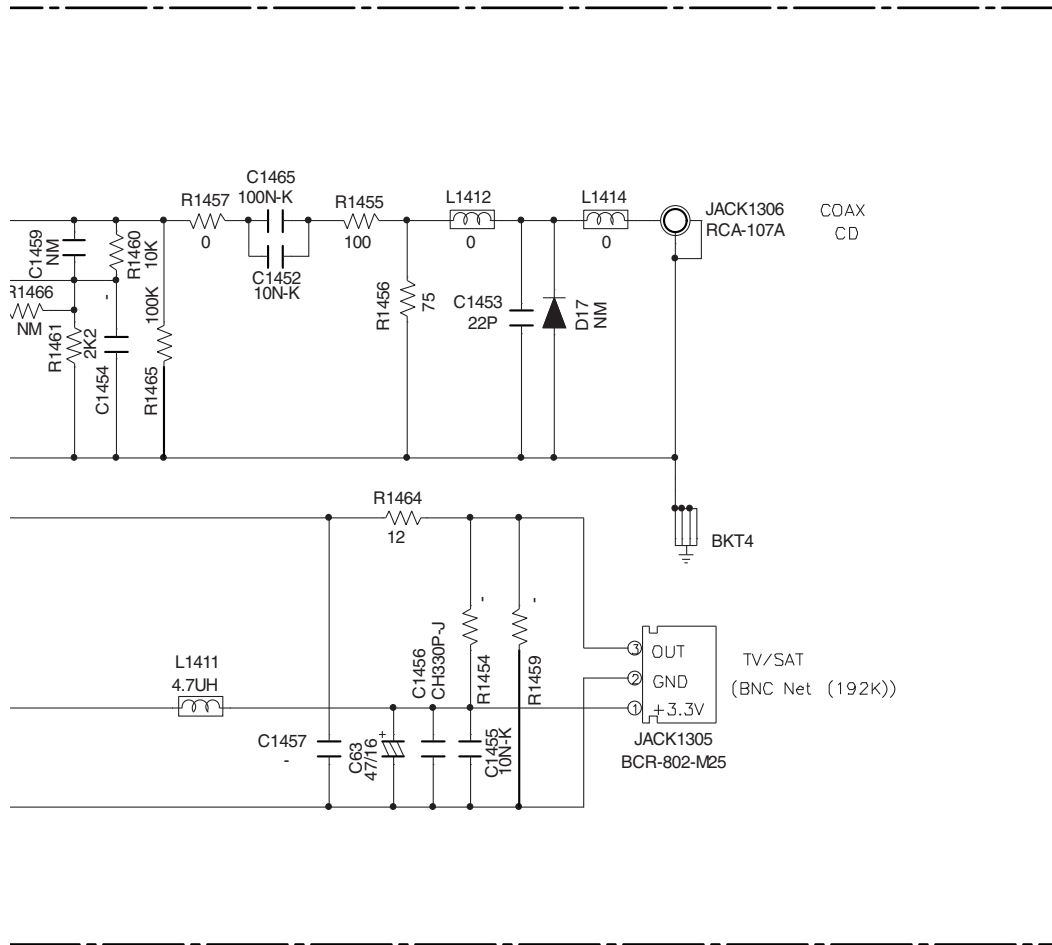


# 10.14 OPTCO ASSY

## D OPTCO ASSY (7028074724010)







# 10.15 BRIDG ASSY

1

2

3

4

A

**C** 9/11 CN1801

**C** 7/11 CN150

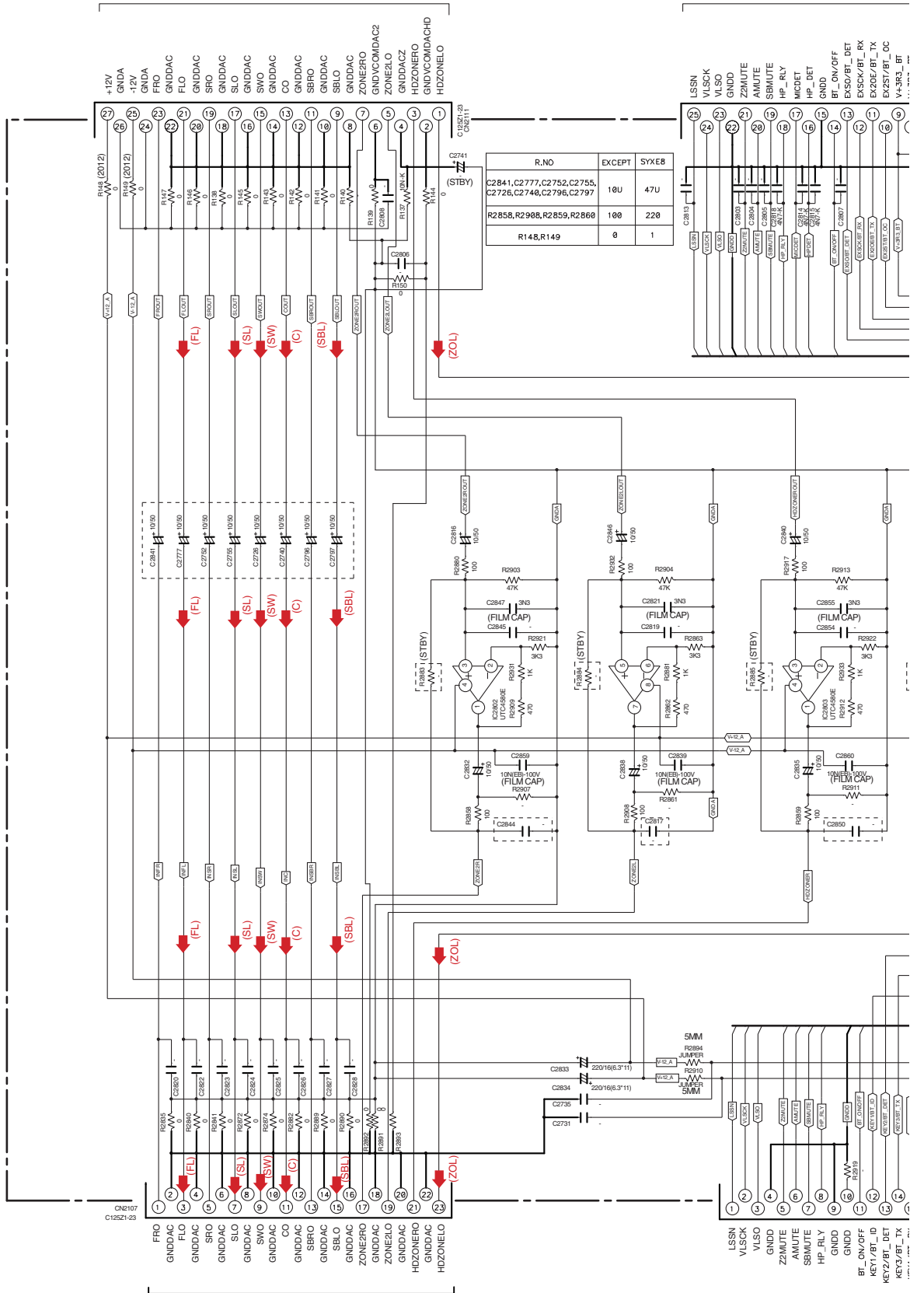
B

C

D

E

F



**I** CP15

**I** CP



1

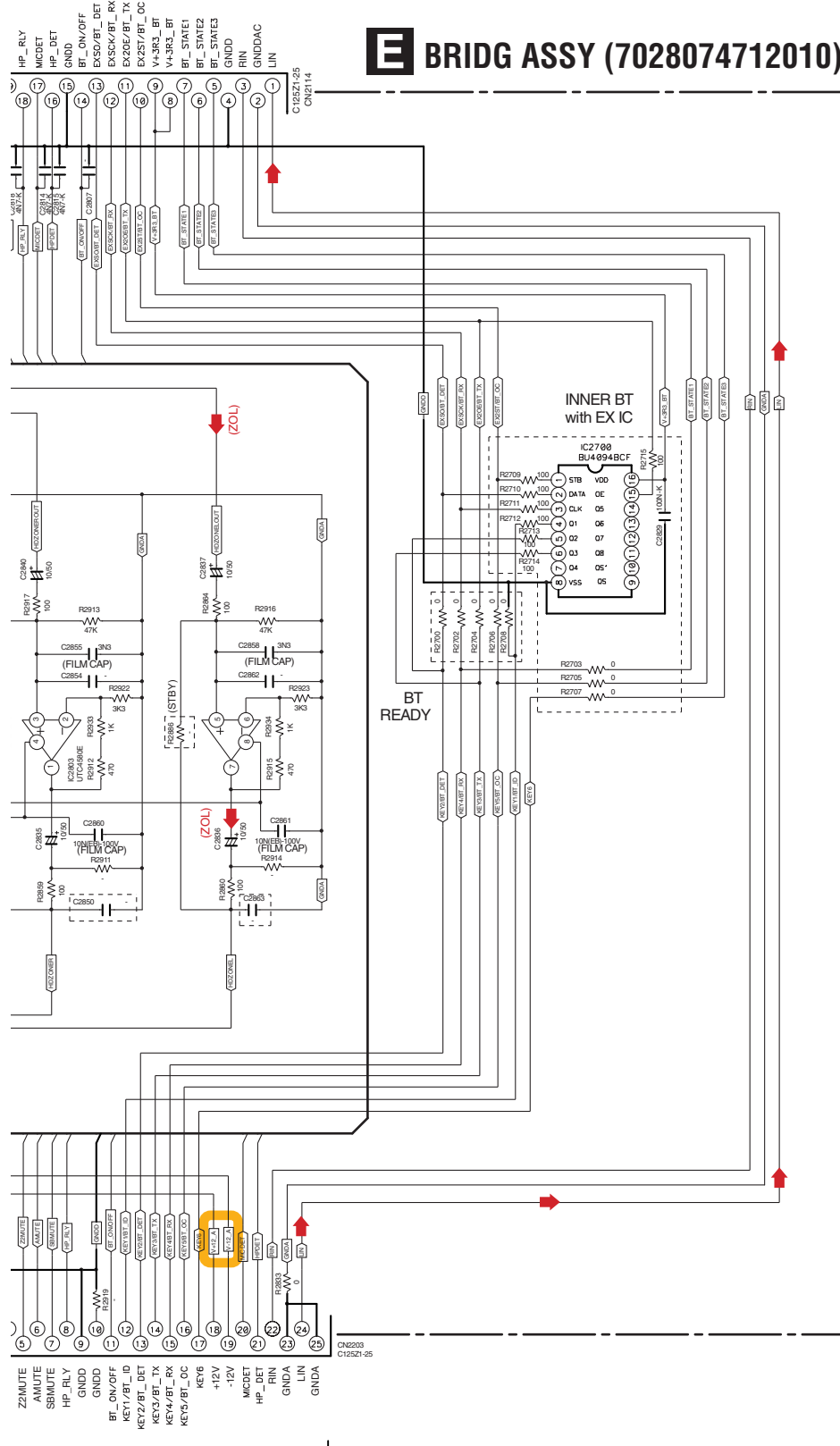
2

3

4

# G7/11 CN1504

# BRIDG ASSY (7028074712010)



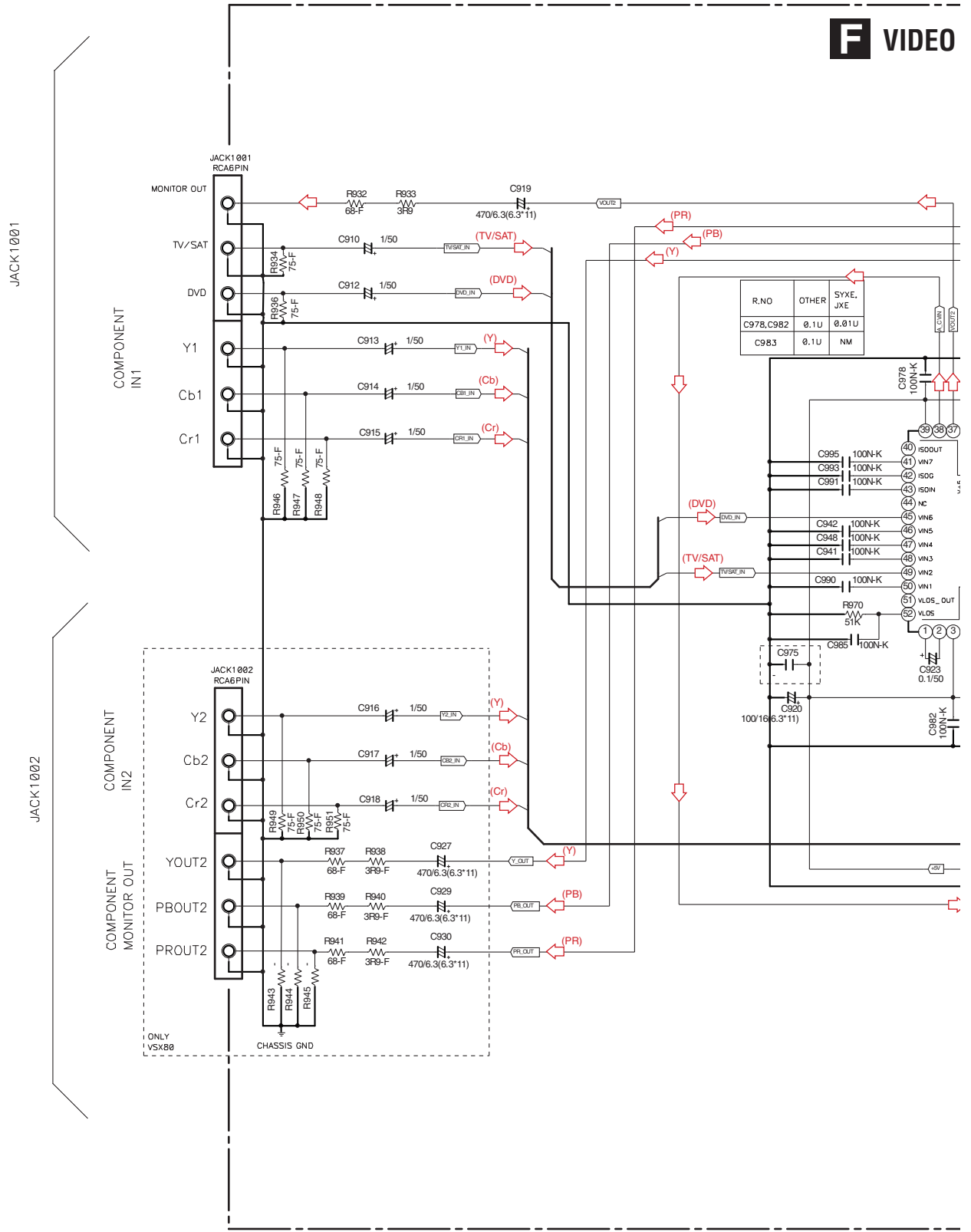
- ➡ : Audio Signal Route (L ch)
- (FL) ➡ : Audio Signal Route (Front L ch)
- (SL) ➡ : Audio Signal Route (Surround L ch)
- (C) ➡ : Audio Signal Route (Center ch)
- (SBL) ➡ : Audio Signal Route (Surround Back L ch)
- (SW) ➡ : Audio Signal Route (Subwoofer ch)
- (ZOL) ➡ : Audio Signal Route (Zone L ch)

- Z2MUTE
- AMUTE
- SBMUTE
- HP\_RLY
- HP\_DET
- GNDD
- BT\_ON/OFF
- KEY1/BT\_ID
- KEY2/BT\_DET
- KEY3/BT\_TX
- KEY4/BT\_RX
- KEY5/BT\_OC
- KEY6
- +12V
- 12V
- MICDET
- HP\_DET
- HP\_RIN
- GNDA
- GNDA

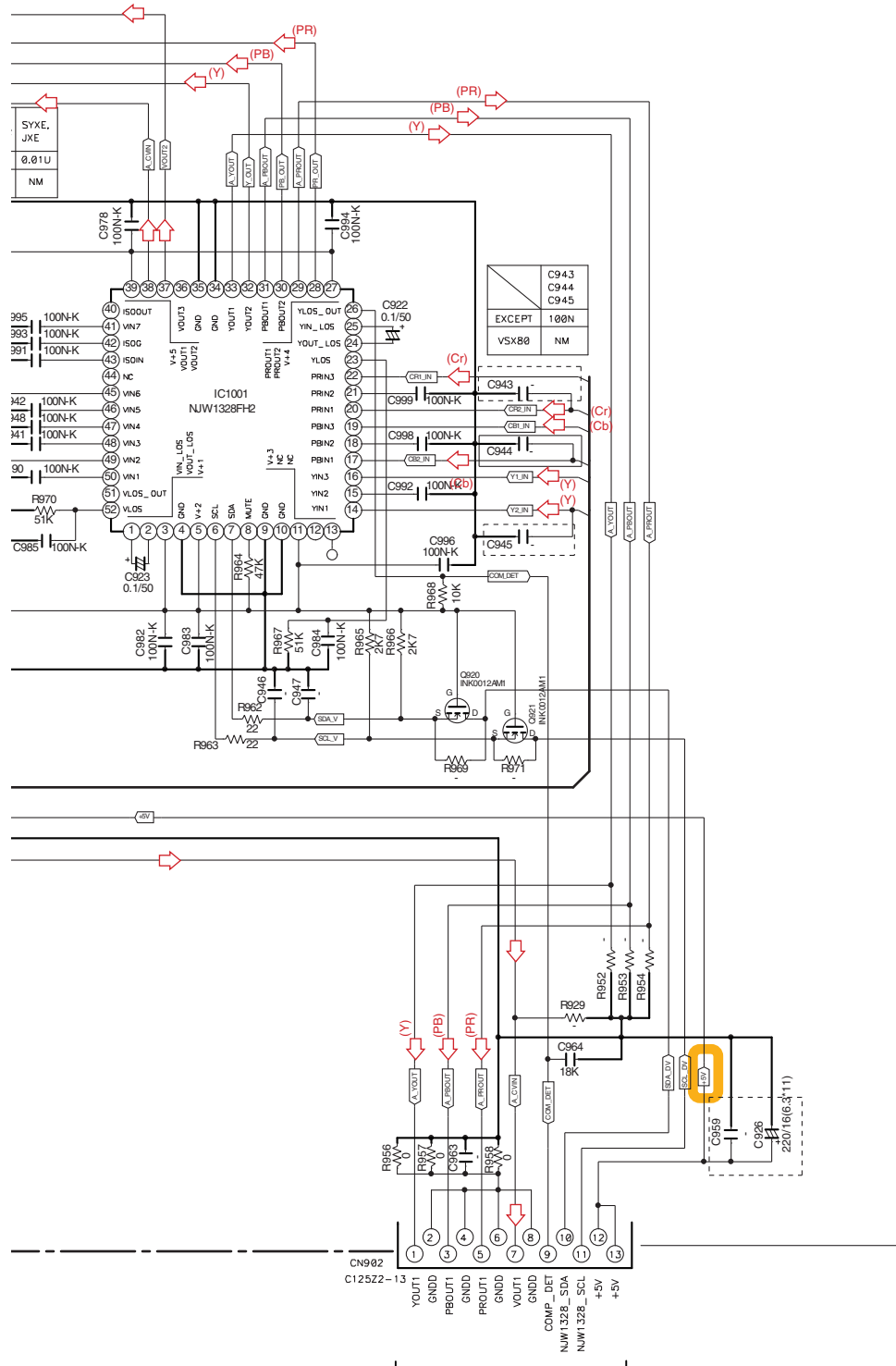
# I CP14



# 10.16 VIDEO ASSY



# F VIDEO ASSY (VSX-1124-K, VSX-1129-K: 7028074732030) (VSX-80: 7028074732010)



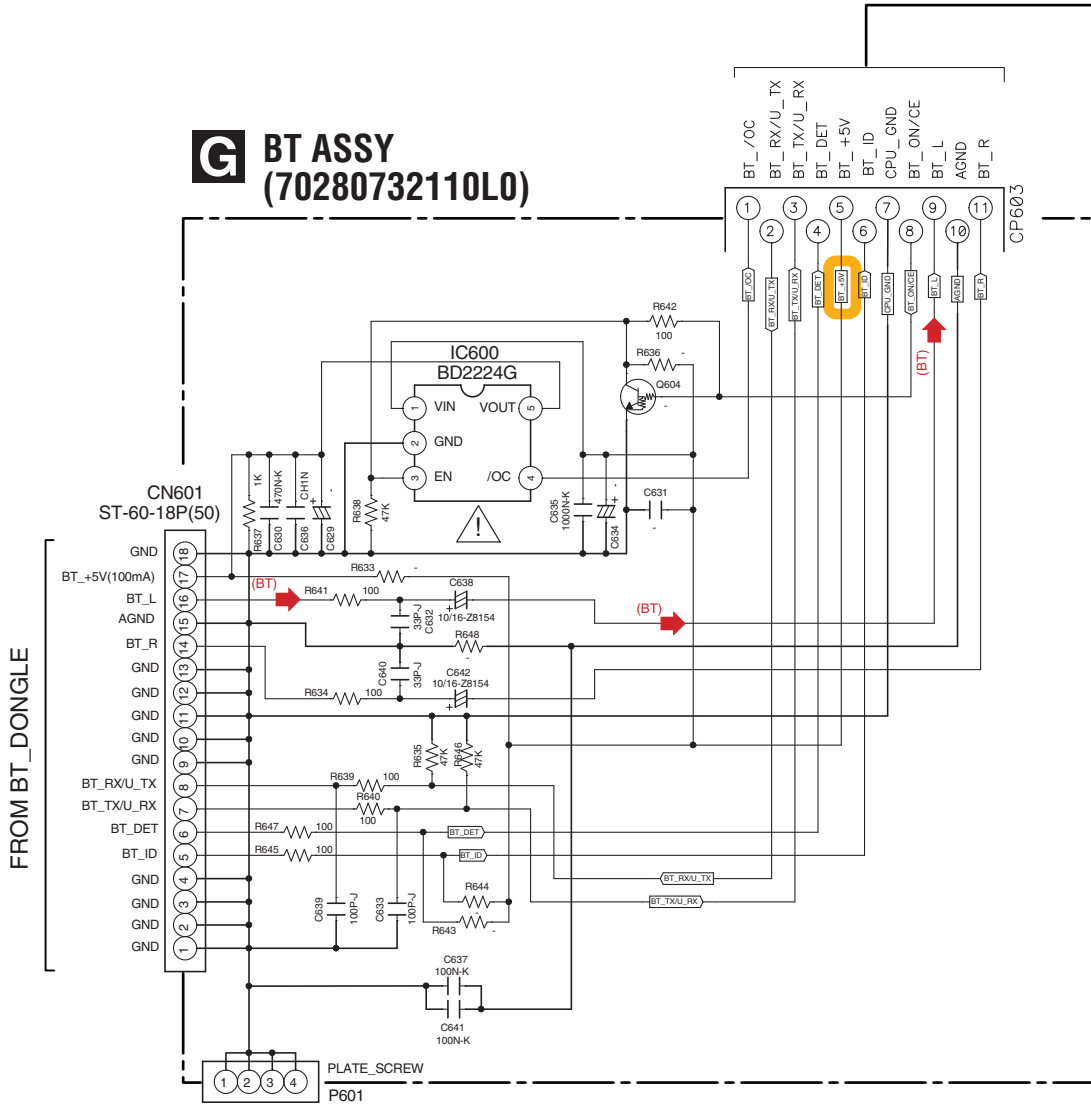
- (Y) → : Video Signal Route
- (Cb) → : Video Signal Route (Component Cb)
- (Cr) → : Video Signal Route (Component Cr)
- (PB) → : Video Signal Route (Component PB)
- (PR) → : Video Signal Route (Component PR)
- (TV/SAT) → : Video Signal Route (TV/SAT)
- (DVD) → : Video Signal Route (DVD)

**A** CP10



# 10.17 BT and BT-CNT ASSYS

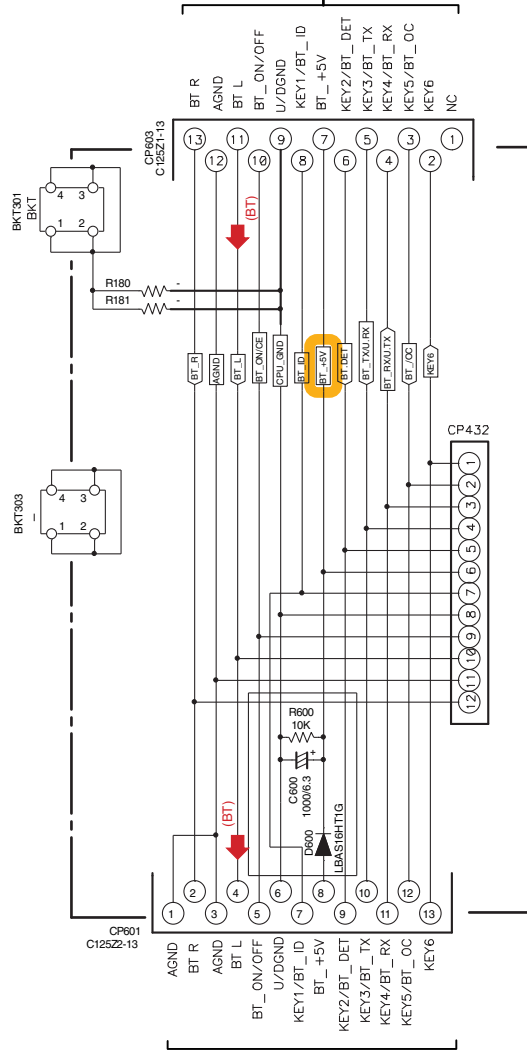
## BT ASSY (70280732110L0)



The ⚠ mark found on some component parts indicates the importance of the safety factor of the part. Therefore, when replacing, be sure to use parts of identical designation.



# H BT-CNT ASSY (7028074716010)



**A** CP7

(BT) → : Audio Signal Route (BT L ch)

TO MAIN B'D

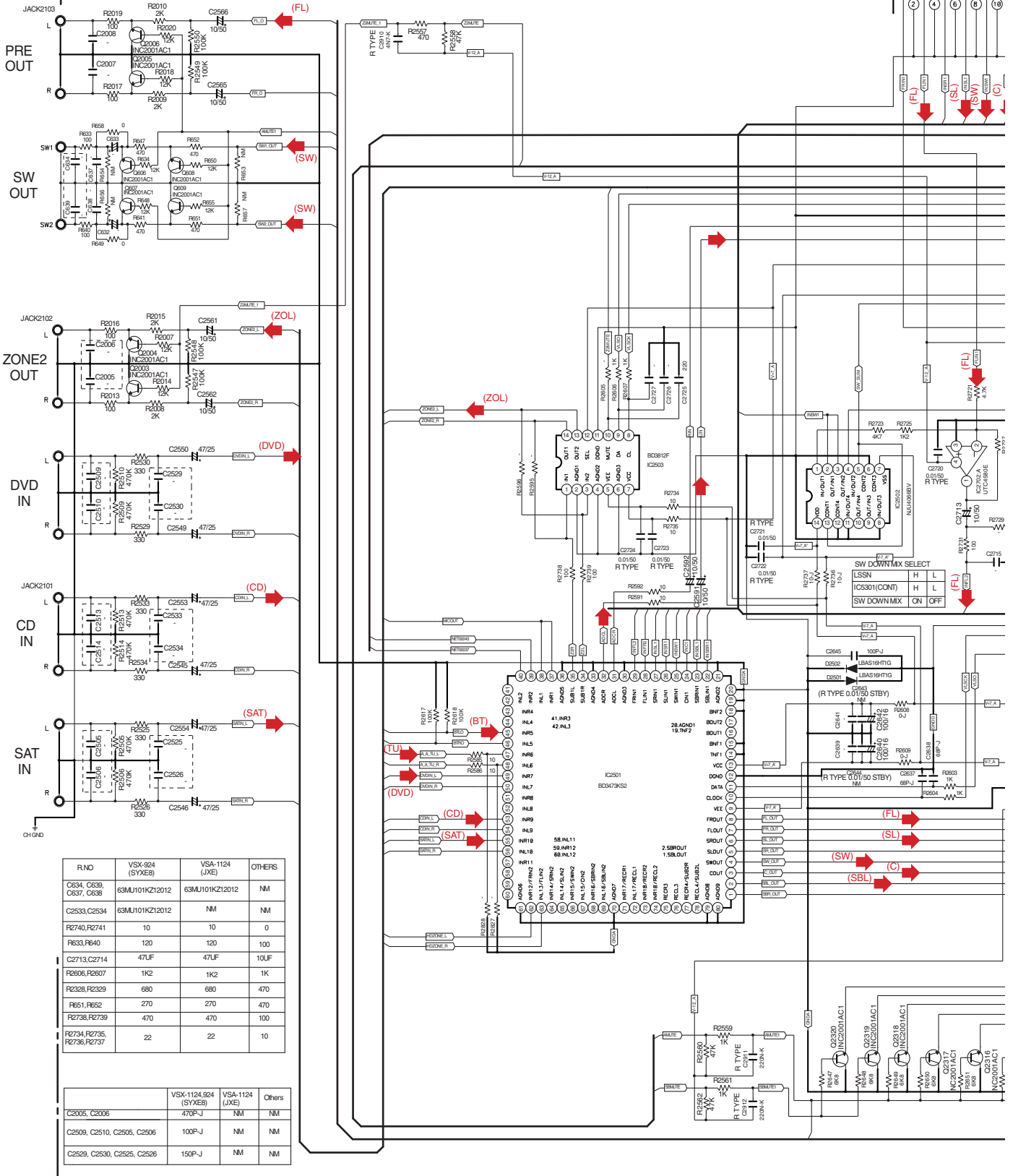
BT_R	BT_R
AGND	AGND
BT_L	BT_L
BT_ON/CE	BT_ON/CE
CPU_GND	CPU_GND
BT_ID	BT_ID
BT_+5V	BT_+5V
BT_DET	BT_DET
BT_TX/U_RX	BT_TX/U_RX
BT_RX/U_TX	BT_RX/U_TX
BT_OC	BT_OC
BT_READY	BT_READY
INNER BT	11P
NC	13P

	D600	C600	R600
SYXE8	LBAS16HT1G	1000/6.3	10K
EXCEPT	0ohm	OPEN	OPEN

# 10.18 AUDIO ASSY



## AUDIO ASSY (7028074741010)



R/LNO	VSX-924 (SYXEB)	VSA-1124 (UXE)	OTHERS
C634, C638, C637, C638	63MU101KZ12012	63MU101KZ12012	NM
C2533, C2534	63MU101KZ12012		NM
P2740, P2741		10	0
R633, R640		120	100
C2713, C2714	47UF	47UF	10UF
R606, R607	1K2	1K2	1K
R2328, R2329	680	680	470
R651, R652	270	270	470
R2738, R2739	470	470	100
R2734, R2735, R2736, R2737	22	22	10

	VSX-1124/924 (SYXEB)	VSA-1124 (UXE)	Others
C2005, C2006	470P-J	NM	NM
C2509, C2510, C2505, C2506	100P-J	NM	NM
C2529, C2530, C2525, C2526	150P-J	NM	NM

VSX-1124-K





# 10.19 CPU ASSY

MODEL DISCRIMINATION						
MODEL	AREA	PROJECT	AREA	PROJECT	AREA	PROJECT
804	CHINA	TM	43K	38K	10K	10K
804	SEMIPLATE	TM	43K	32K	5K	43K
804	SEMIPLATE	TM	43K	32K	5K	10K
804	ELUSYBER	TM	43K	43K	10K	43K
104	2PFLJBT	TM	43K	38K	10K	10K
104		TM	43K	10K	32K	10K
104		TM	43K	10K	10K	10K
104	NACADE	TM	43K	43K	10K	43K
104	TMPCDESM	TM	43K	10K	43K	10K
10100	TORUSDES	TM	43K	10K	10K	10K

FOR DEBUG & D.L.

FFC 27P WAFER

**C2/11 CN601**

**C2**

B

C

D

E

F

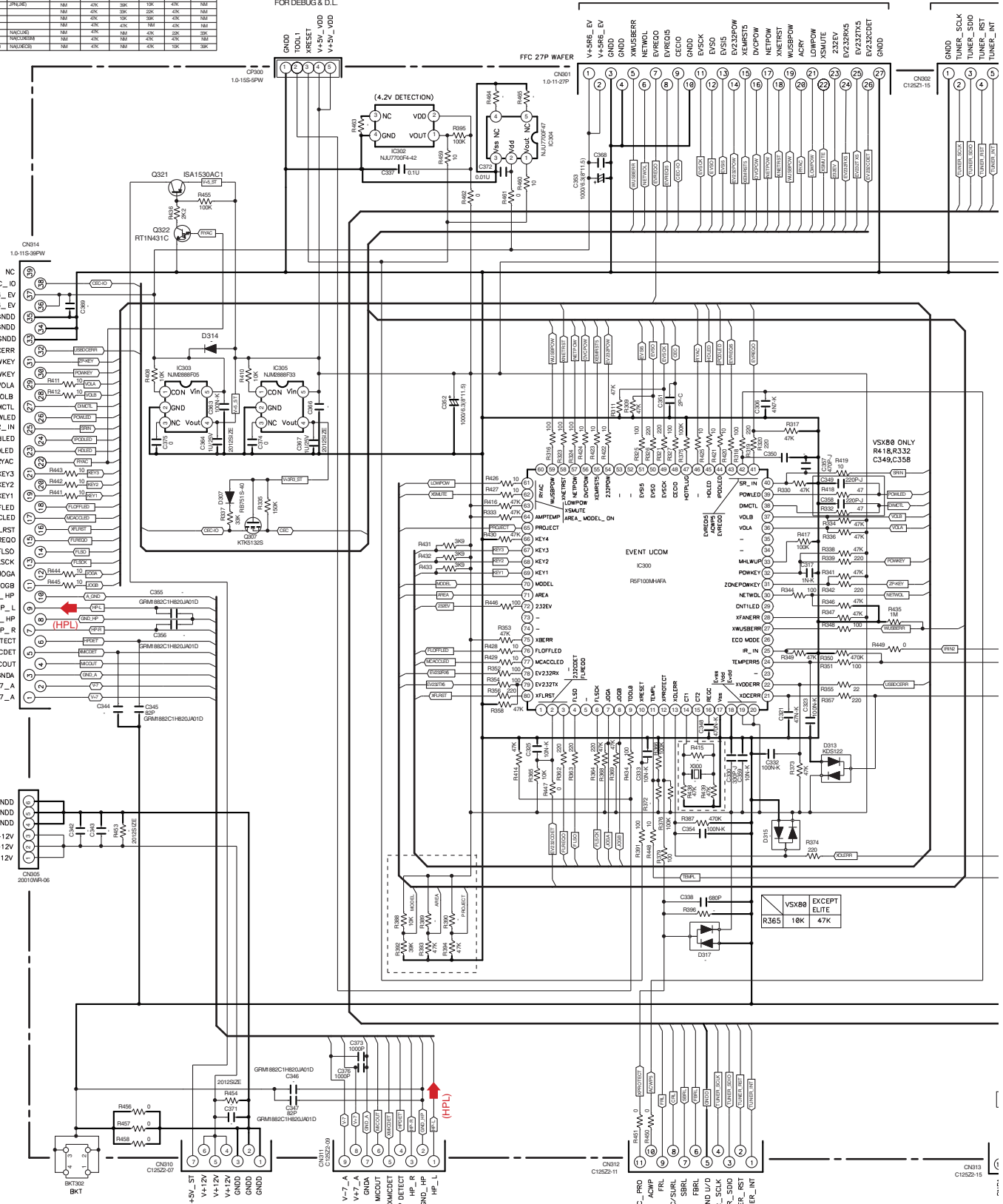
**N CN3001**

**L CN801**

**A CP21**

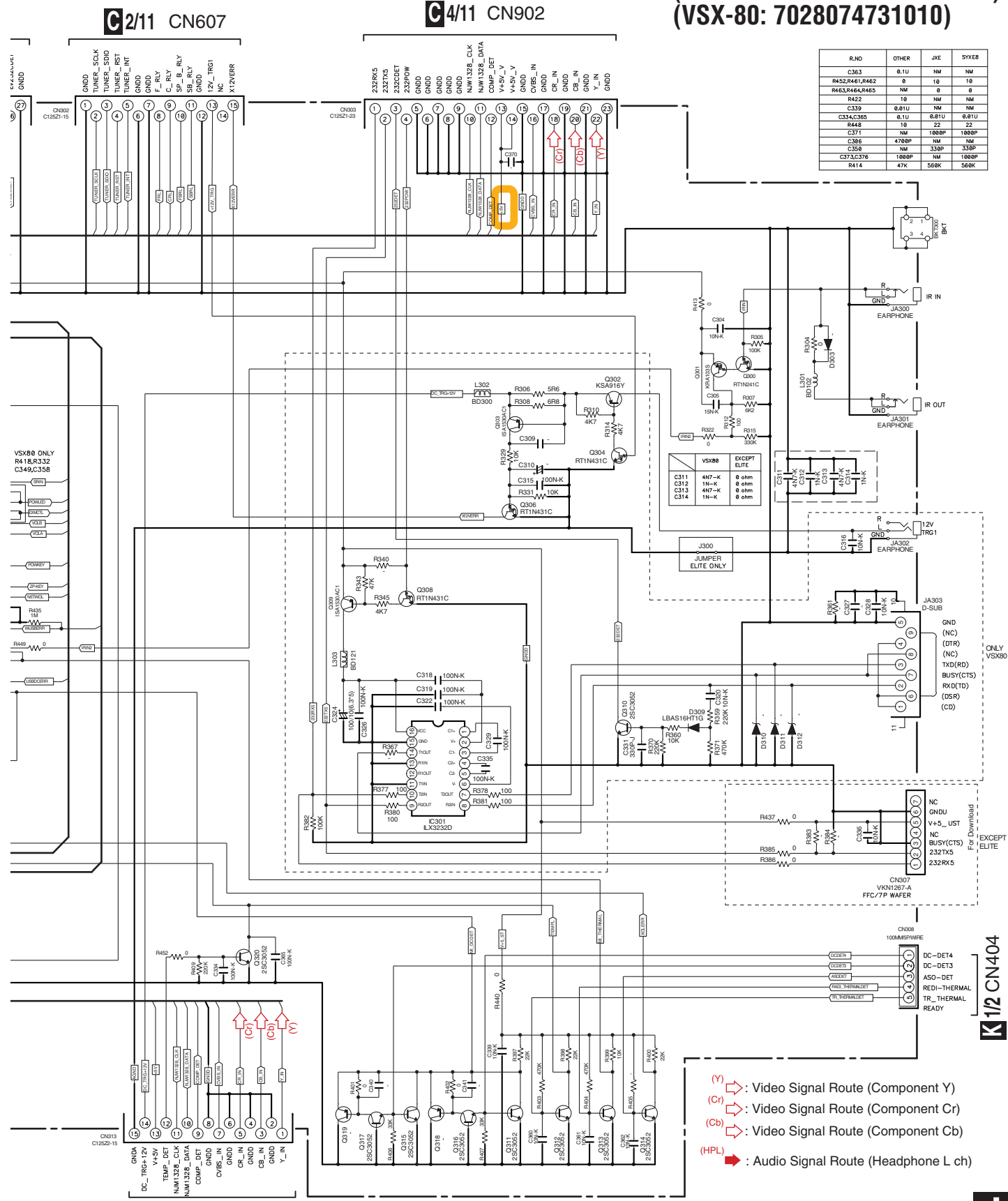
**A CP14**

**A CP12**



# J CPU ASSY (VSX-1124-K: 7028074731030) (VSX-1129-K: 7028074731040) (VSX-80: 7028074731010)

R/NO	OTHER	Q/KC	SYMB
C363	6.1U	NM	NM
R452,R461,R462	16	16	16
R463,R464,R465	NM	0	0
R422	10	NM	NM
C339	0.01U	NM	NM
C334,C365	0.1U	0.01U	0.01U
R448	10	22	22
C371	NM	1000P	1000P
C366	4700P	NM	NM
C358	NM	330P	330P
C373,C376	1000P	NM	1000P
R414	47K	560K	560K



- (Y) : Video Signal Route (Component Y)
- (Cr) : Video Signal Route (Component Cr)
- (Cb) : Video Signal Route (Component Cb)
- (HPL) : Audio Signal Route (Headphone L ch)

A CP20


VSX-1124-K

K 1/2 CN404

J

# 10.20 AMP7 ASSY (1/2)

**NOTES**

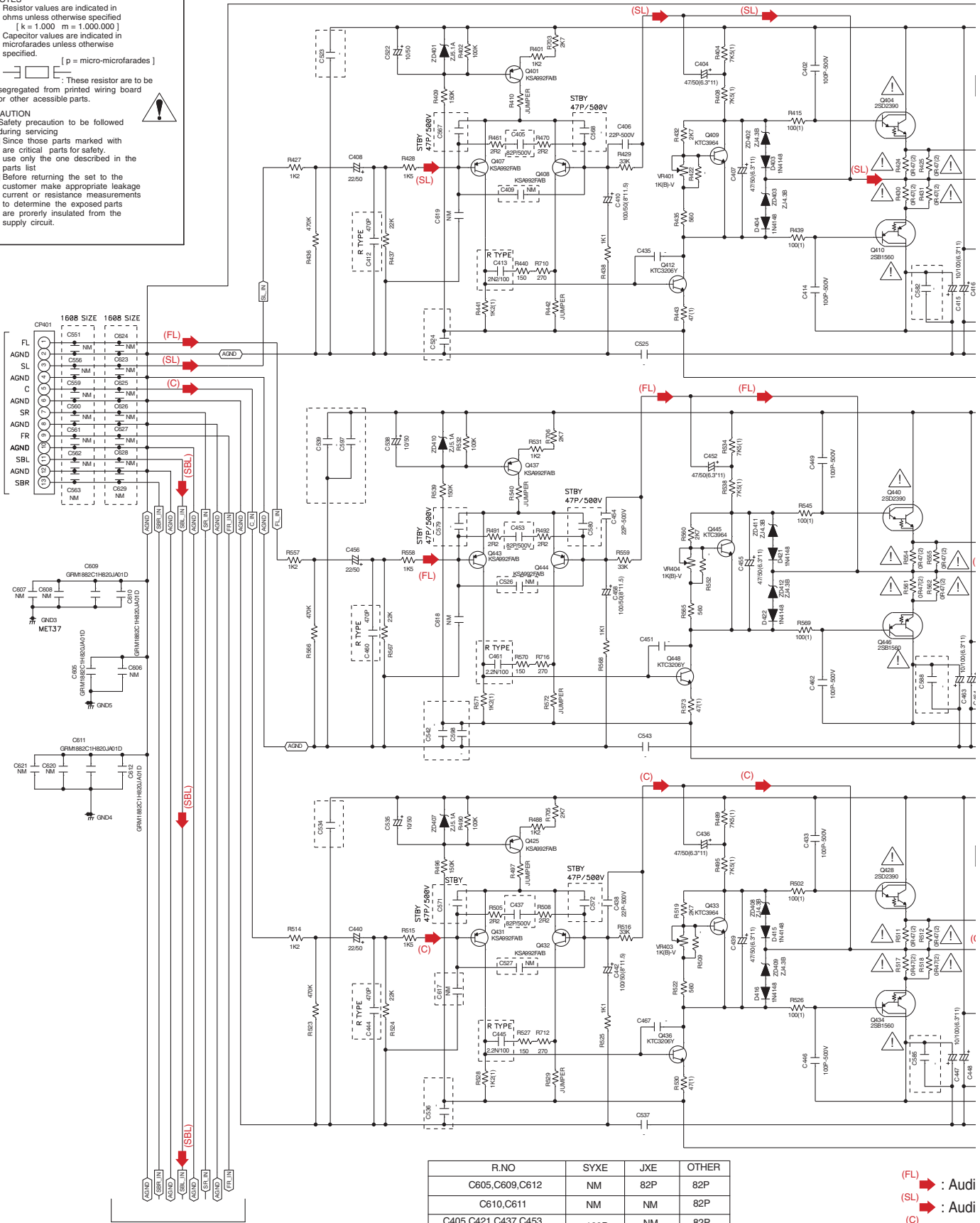
1. Resistor values are indicated in ohms unless otherwise specified  
[ k = 1,000 m = 1,000,000 ]
2. Capacitor values are indicated in microfarads unless otherwise specified.  
[ p = micro-microfarads ]
3. : These resistor are to be segregated from printed wiring board or other accessible parts.

**CAUTION**  
Safety precaution to be followed during servicing

- 1) Since those parts marked with are critical parts for safety, use only the one described in the parts list
- 2) Before returning the set to the customer make appropriate leakage current or resistance measurements to determine the exposed parts are properly insulated from the supply circuit.

A  
B  
C  
D  
E  
F

CN2103



R.NO	SYXE	JXE	OTHER
C605,C609,C612	NM	82P	82P
C610,C611	NM	NM	82P
C405,C421,C437,C453, C469,C485,C501	100P	NM	82P
R436,R480,R523,R566, R609,R652,R695	NM	NM	470K
R461,R470,R491,R492,R505, R508,R533,R535,R548,R576, R578,R579,R591,R594	2.2	NM	2.2

(FL) : Audi  
(SL) : Audi  
(C) : Audi  
(SBL) : Audi

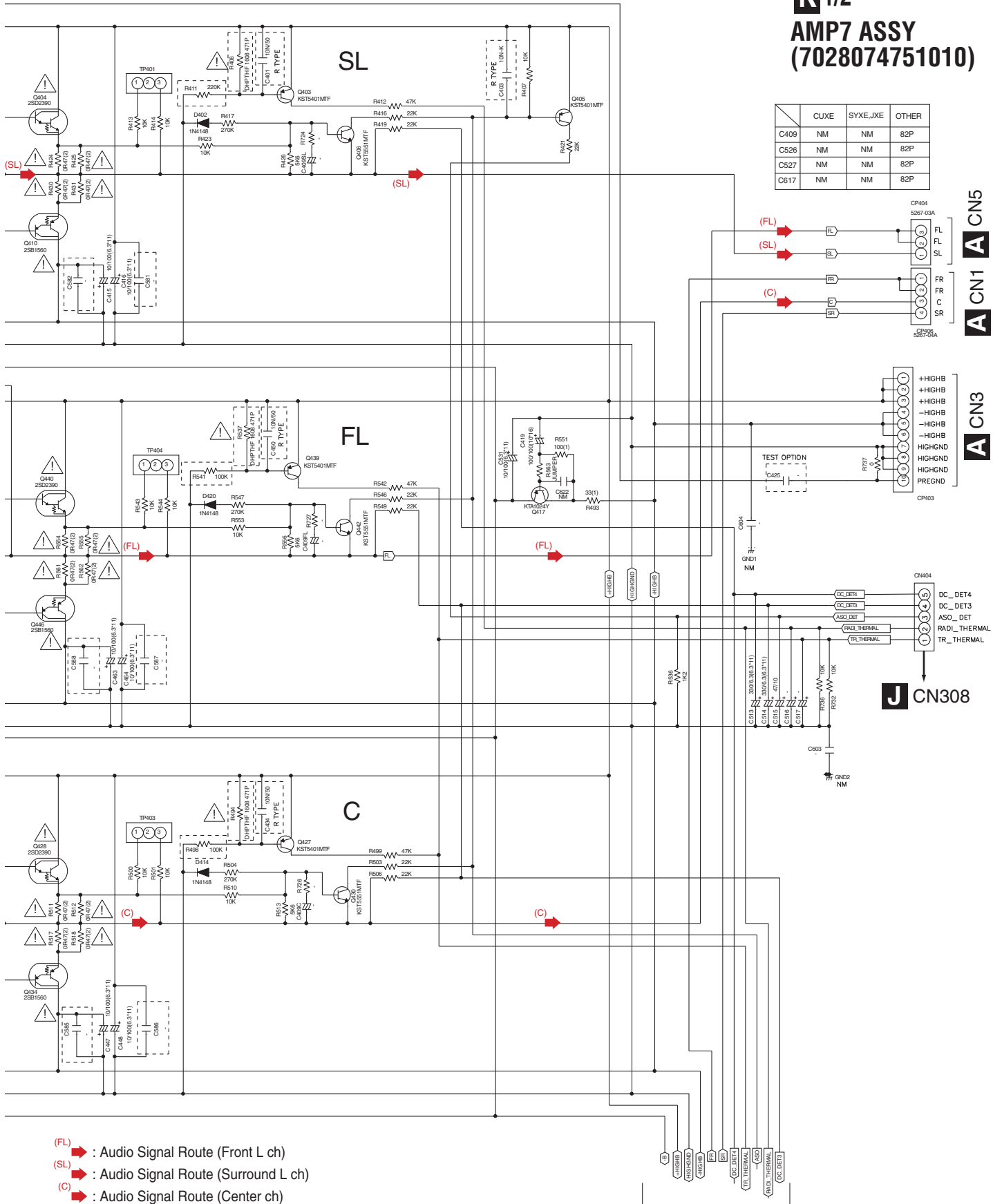
K1/2

K2/2

VSX-1124-K

# K1/2 AMP7 ASSY (7028074751010)

	CUXE	SYXE,JXE	OTHER
C409	NM	NM	82P
C526	NM	NM	82P
C527	NM	NM	82P
C617	NM	NM	82P



- (FL) : Audio Signal Route (Front L ch)
- (SL) : Audio Signal Route (Surround L ch)
- (C) : Audio Signal Route (Center ch)
- (SBL) : Audio Signal Route (Surround Back L ch)

**A** CN5

**A** CN3

**C**

**D**

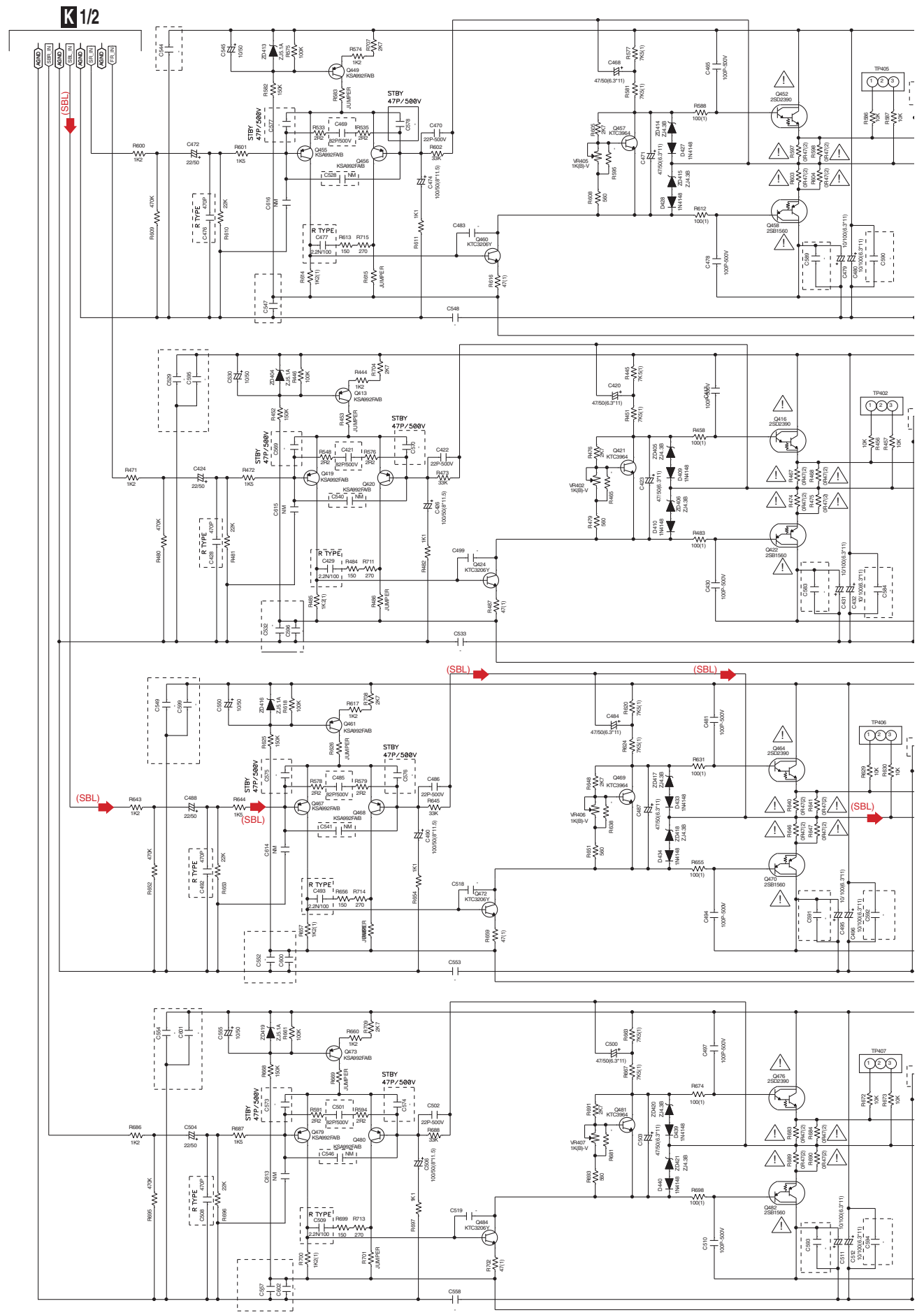
**E**

**F**

**J** CN308

**K2/2**

# 10.21 AMP7 ASSY (2/2)

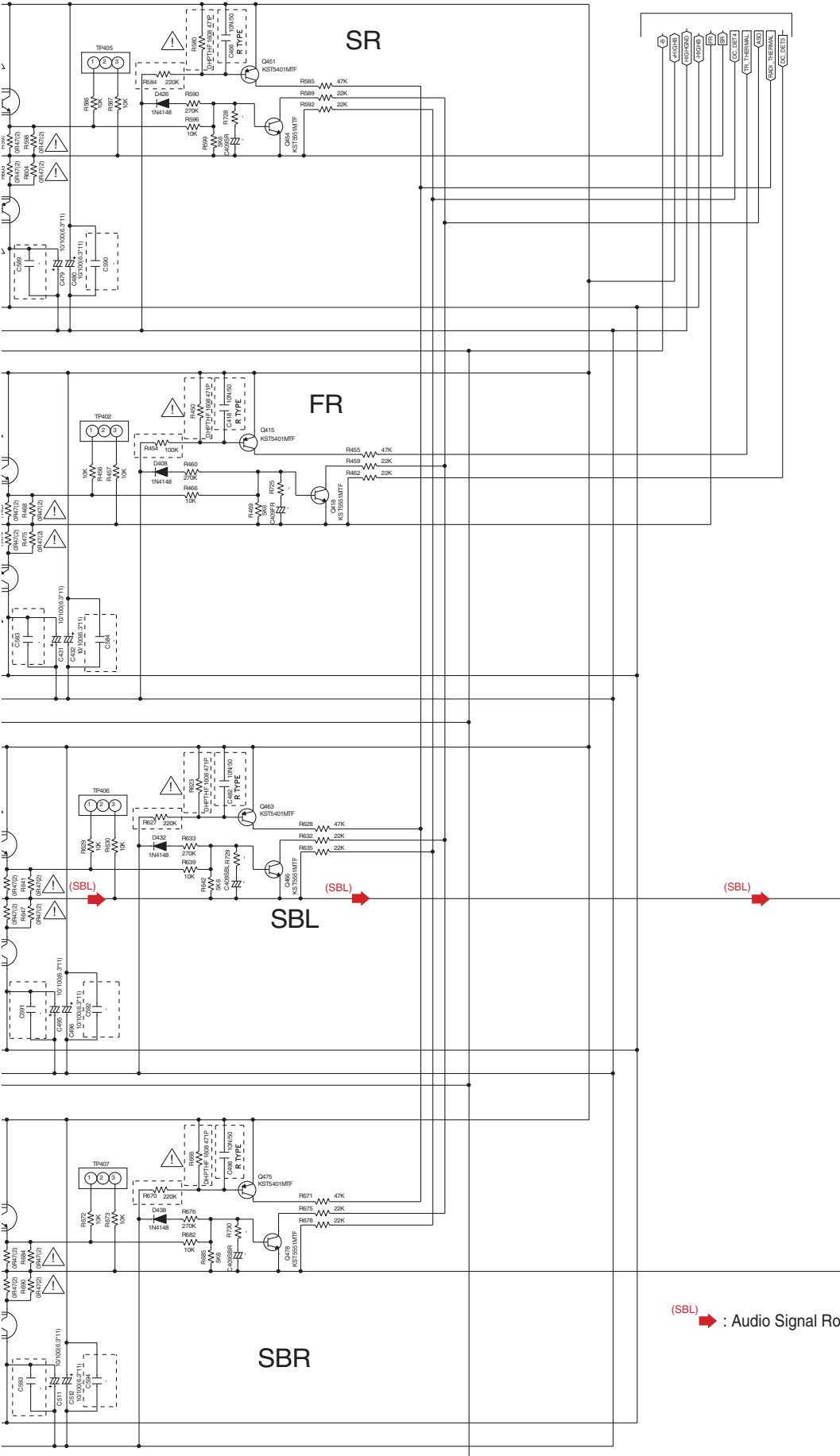


K1/2

# K2/2

## AMP7 ASSY (7028074751010)

	CUXE	SYXE,JXE	OTHER
C528	NM	NM	82P
C540	NM	NM	82P
C541	NM	NM	82P
C546	NM	NM	82P



**NOTES**

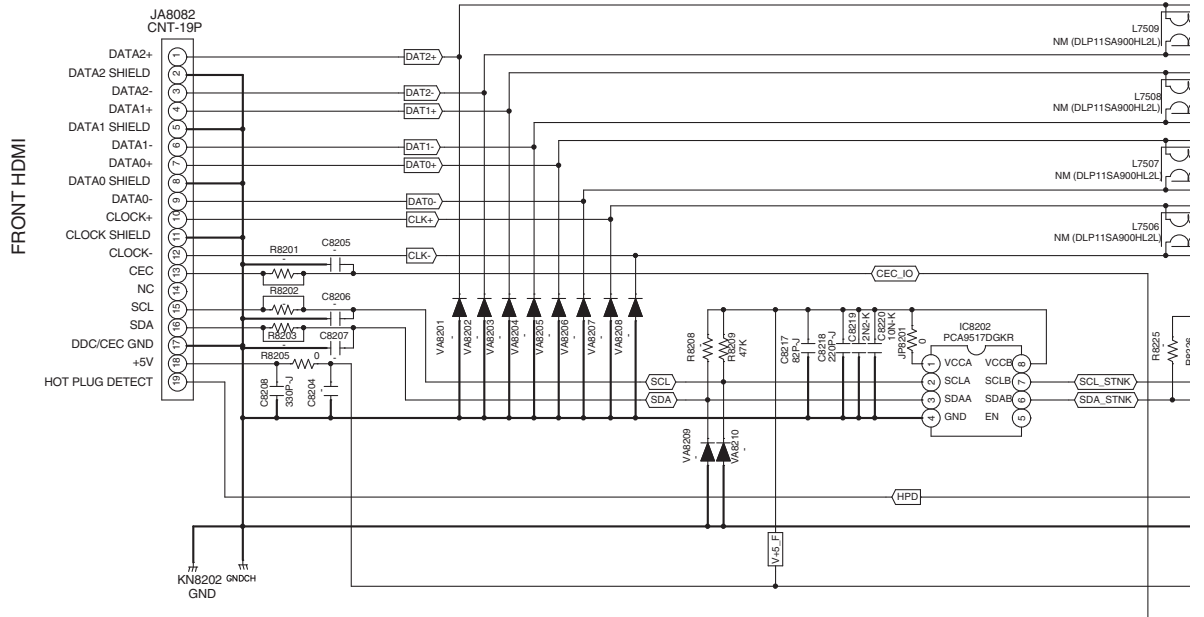
1. Resistor values are indicated in ohms unless otherwise specified [k = 1,000 m = 1,000,000]
2. Capacitor values are indicated in microfarads unless otherwise specified. [p = micro-microfarades]
3. : These resistor are to be segregated from printed wiring board or other accessible parts.

**CAUTION**  
Safety precaution to be followed during servicing

- 1) Since those parts marked with are critical parts for safety, use only the one described in the parts list
- 2) Before returning the set to the customer make appropriate leakage current or resistance measurements to determine the exposed parts are properly insulated from the supply circuit.

(SBL) → : Audio Signal Route (Surround Back L ch)

# 10.22 FHDMI ASSY



MODEL, AREA OPTION

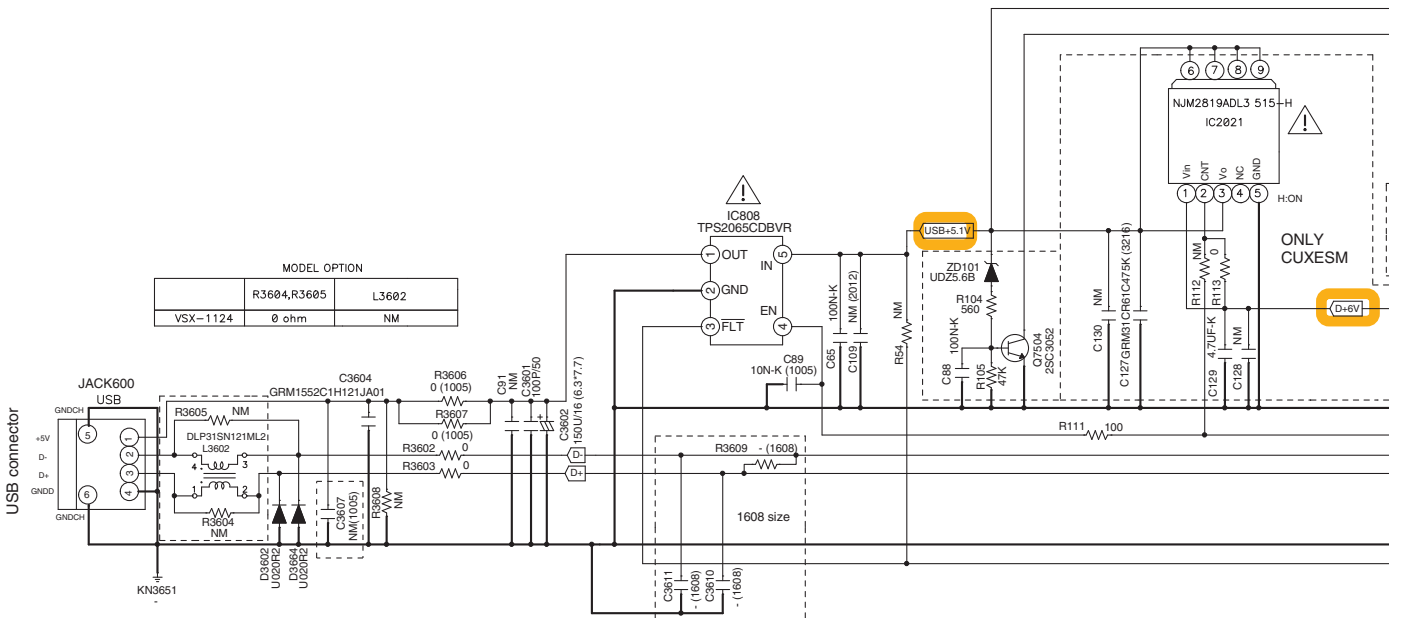
	J1	J2	J3	J4
HIGH	NM	JUMPER	NM	NM
CUXE	NM	NM	JUMPER	NM
OTHERS	NM	NM	NM	JUMPER

NJM2819 OPTION

	IC201	C127	C129	D3603	R58	R59	ZD
CUXESM	NJM2819ADL3 - 515	GRM31CR61C475K	4.7UF-K	0	RB068L-40	NM	NM
OTHERS	NM	NM	NM	NM	0 ohm	0 ohm	UDZ2

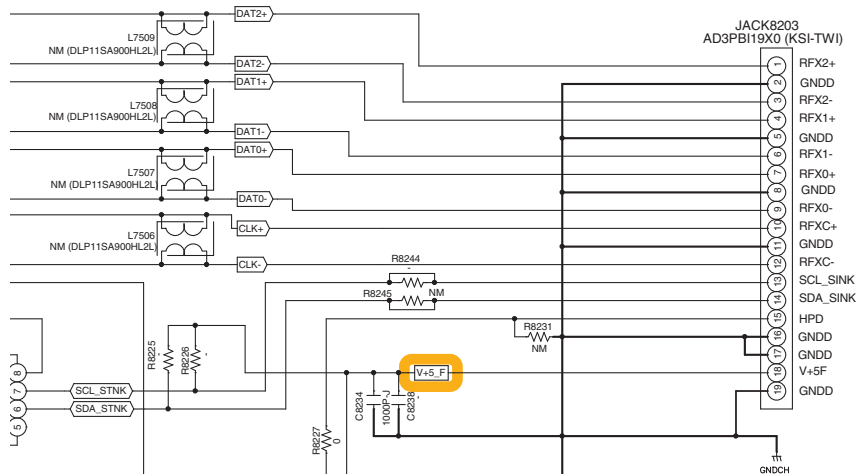
MODEL OPTION

	R3604,R3605	L3602
VSX-1124	0 ohm	NM





# FHDMI ASSY (7028074581040)

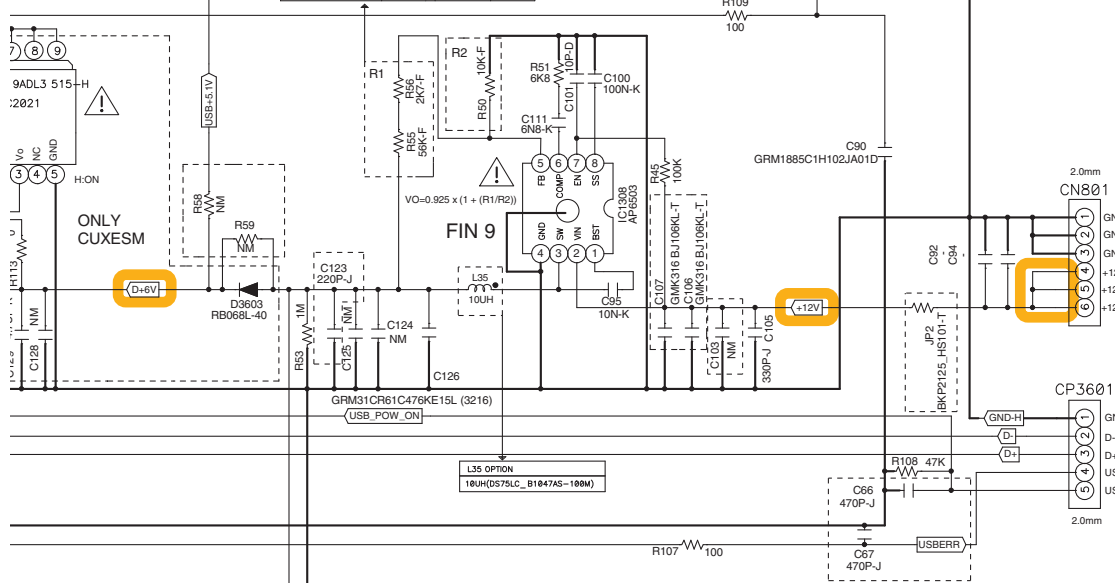


C3/11 JA9620

3603	R58	R59	ZD101	R104	R105	C88	Q7504
368L-40	NM	NM	NM	NM	NM	NM	NM
NM	0 ohm	0 ohm	UDZ5.6B	560	47K	100N	ZSC3052

AP6503 OPTION

R50	R55	R56	VCC
OTHERS	10K-F	43K-F	2K7-F
CUXESM	10K-F	56K-F	2K7-F
			5.1V
			6.3V



N CP3002

J CN305

C10/11 CN9202

	D+Vout
OTHERS	5.1V
CUXESM	6.3V

C11/11 CN9502

MODEL OPTION

	CP3602	CP3603
VSX-1124	NM	3P WIRE

VSX-1124-K

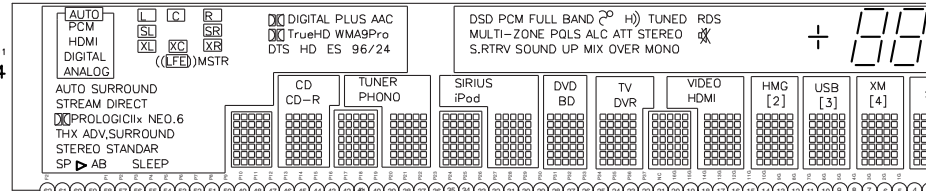


# 10.23 INSEL, FRONT and HPMIC ASSYS

A

- NOTES
1. Resistor values are indicated in ohms unless otherwise specified [  $k = 1,000$   $m = 1,000,000$  ]
  2. Capacitor values are indicated in microfarads unless otherwise specified. [  $\mu = \text{micro-microfarads}$  ]
  3. : These resistor are to be segregated from printed wiring board or other accessible parts.
- CAUTION
- Safety precaution to be followed during servicing
- 1) Since those parts marked with are critical parts for safety, use only the one described in the parts list
  - 2) Before returning the set to the customer make appropriate leakage current or resistance measurements to determine the exposed parts are properly insulated from the supply circuit.

FLT3801  
HNA-16MM64  
HNA-16MM64(SS07)



B

MODEL DISCRIMINATION

MODEL	R5E4	R501	R502	R505	R508	R507	R509
8M	2.20T	2.20T	J4899	J4897	NM	NM	NM
8M AKG	2.20T	2.20T	E4911	E4911	NM	NM	NM
8M S&W	2.20T	2.20T	2.20T	L 2.20T	NM	NM	NM
8M S&W68	2.20T	2.20T	E4911	E4911	NM	NM	NM
10M	2.20T	2.20T	J4899	J4897	NM	NM	NM
10M CODE	2.20T	2.20T	J4899	J4897	NM	NM	NM
150	2.20T	2.20T	J4899	J4897	NM	NM	NM
150 CODE	2.20T	2.20T	J4899	J4897	NM	NM	NM

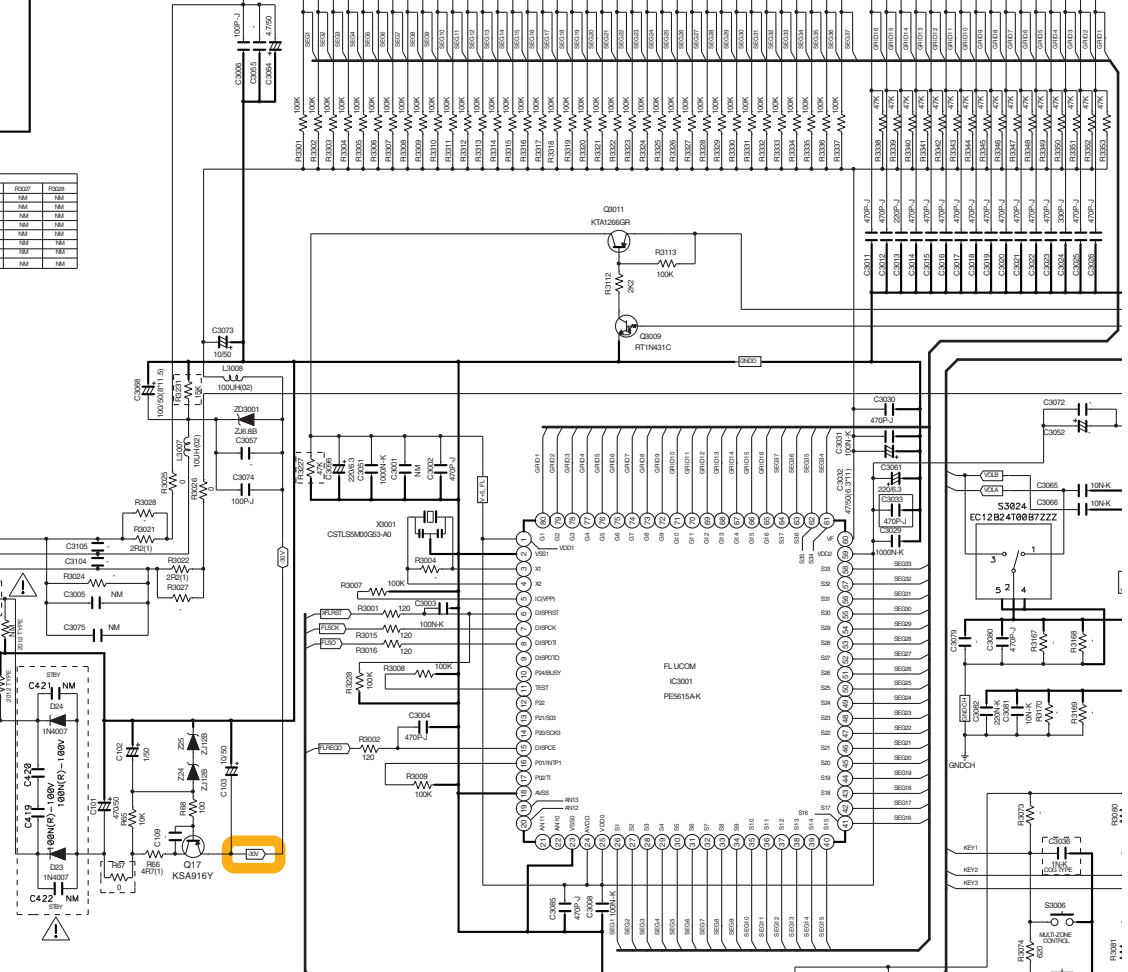
C

FROM MAIN TRANS

R502	SYN/J_LINE	SYN/J_LINE	VIS/FOUR LINE VIS/FOUR LINE
R506	R507	R508	R509
IMP	R510	R511	J4897

R501	OTHER	SYN/J_LINE
C388	G1U	NM
C389	49P	38P
R507	8K	NM
C391	NM	8M/R25G250
C384	CFRMBCH2HSGA20	NM
C383	1000P	38P
R505	1K	2K
R504	R504	NM

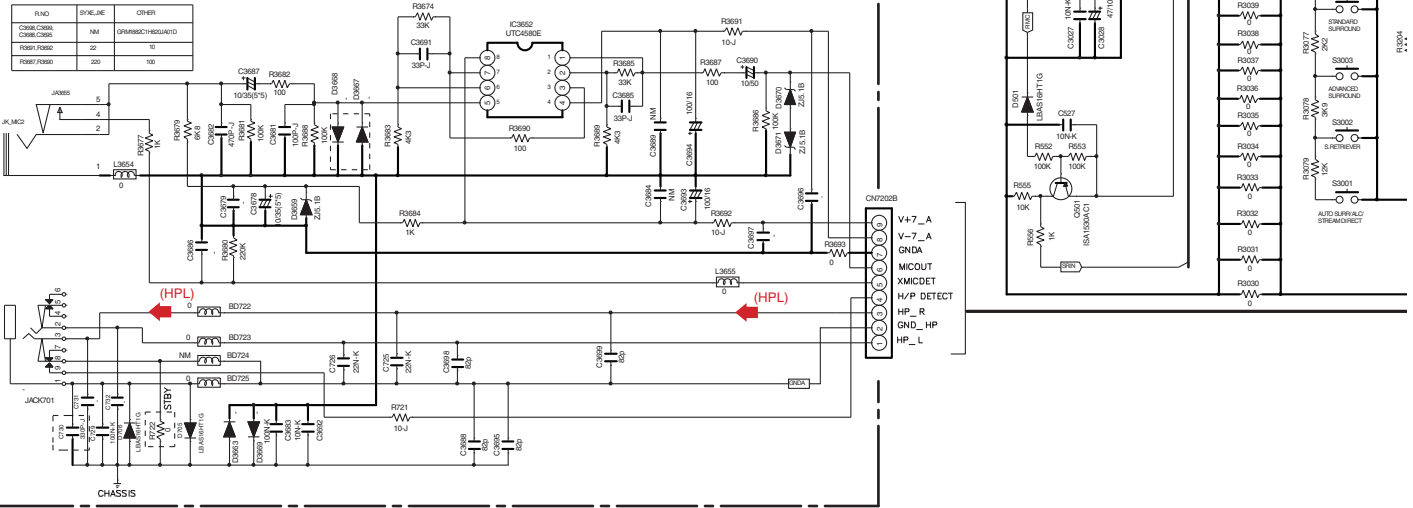
D



E

## HPMIC ASSY (7028074722010)

R501	SYN/J_LINE	OTHER
C388	C388	CFRMBCH2HSGA20
R506	R506	22
R507	R507	100

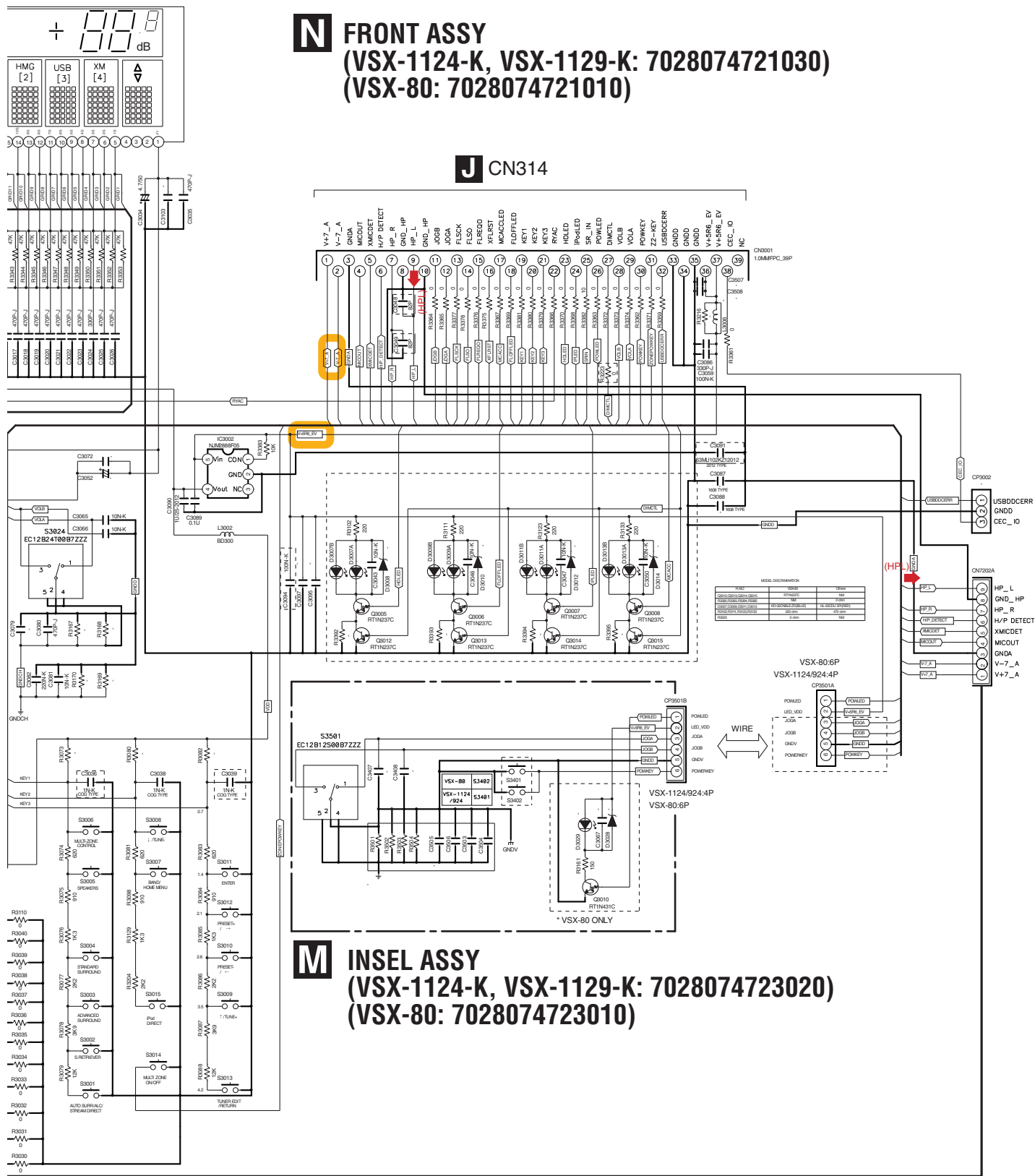


F

NO

**N FRONT ASSY**  
 (VSX-1124-K, VSX-1129-K: 7028074721030)  
 (VSX-80: 7028074721010)

**J CN314**



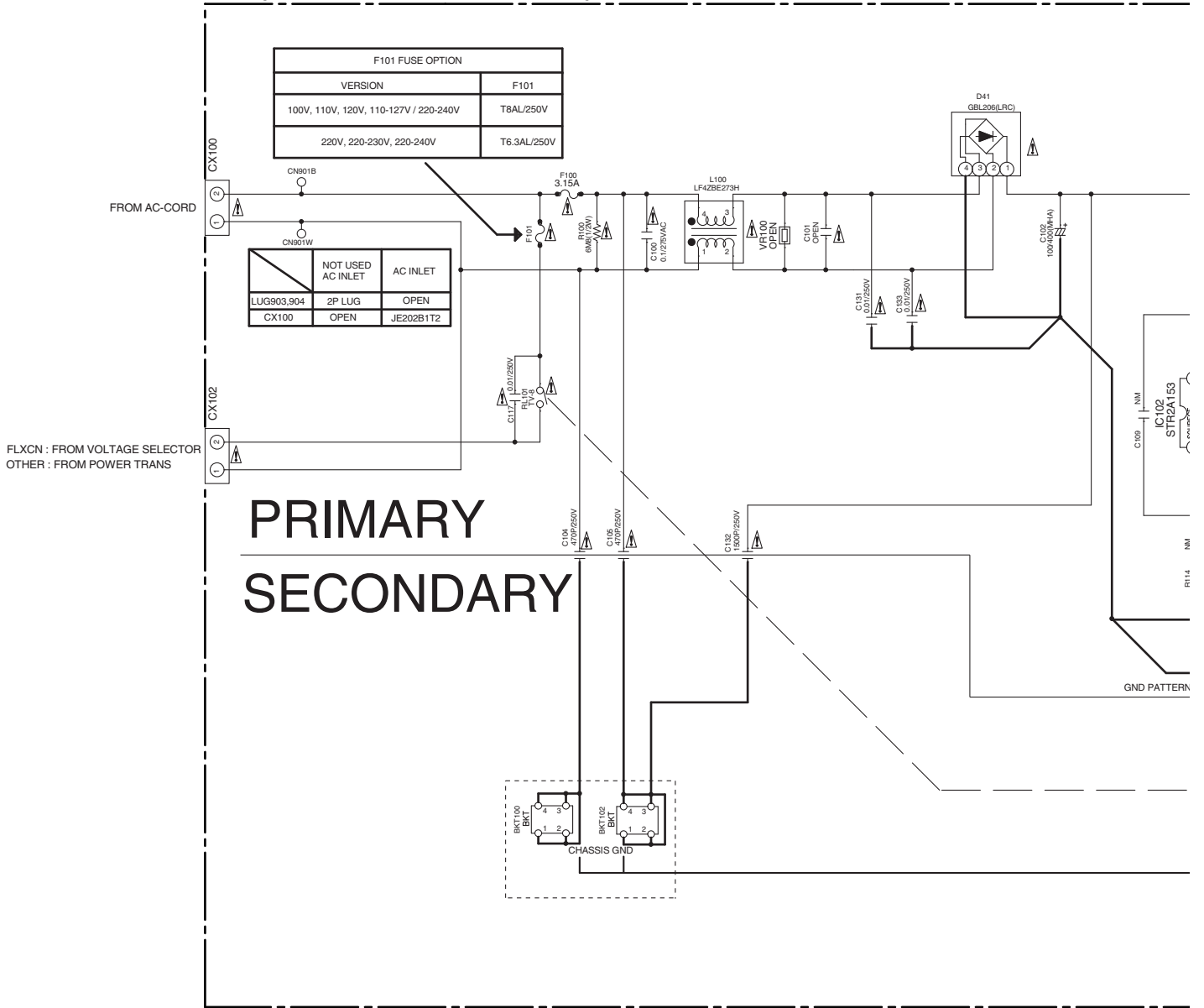
**M INSEL ASSY**  
 (VSX-1124-K, VSX-1129-K: 7028074723020)  
 (VSX-80: 7028074723010)

(HPL) → : Audio Signal Route (Headphone L ch)

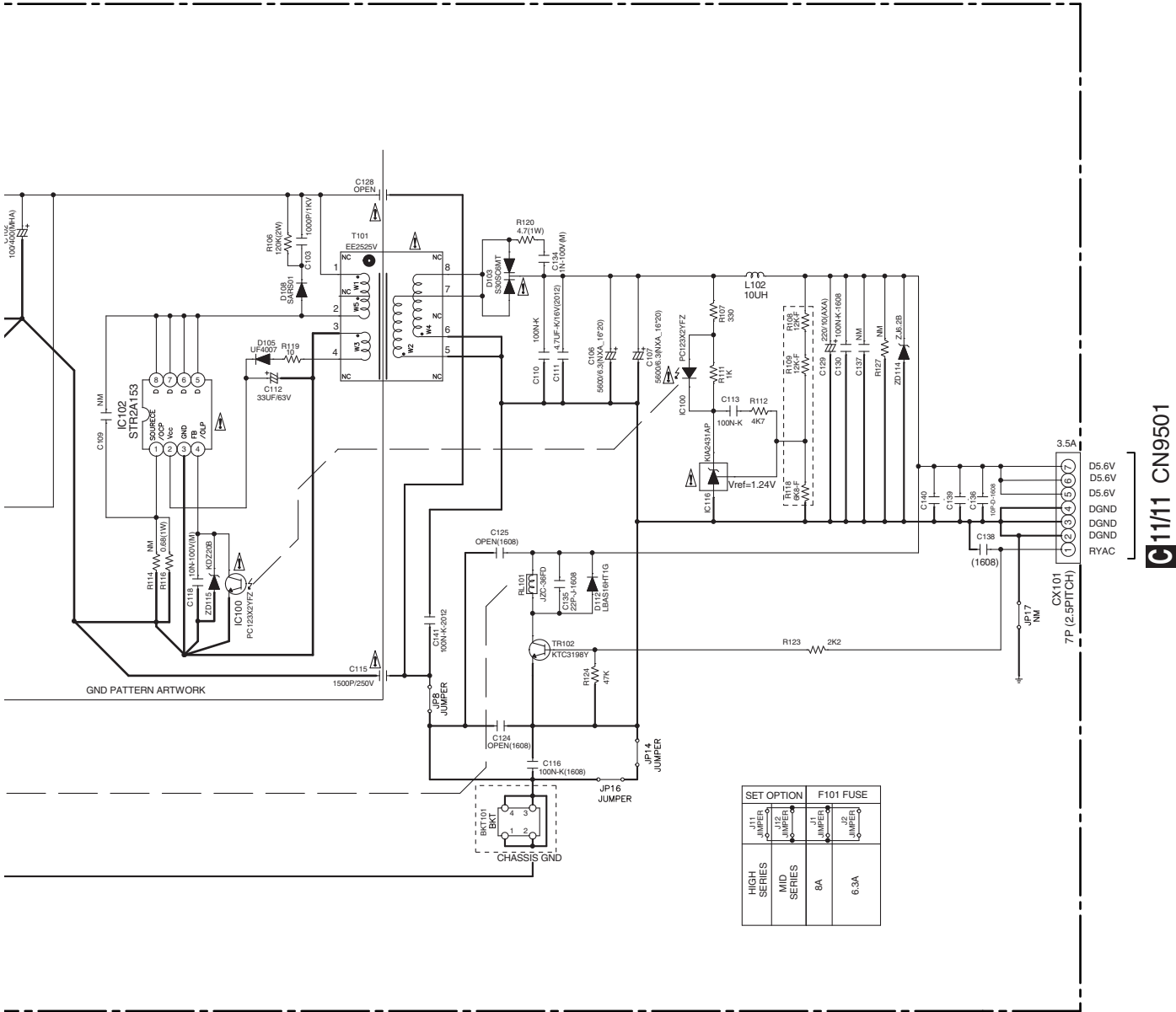


# 10.24 SMPS ASSY

**P** SMPS ASSY  
 (VSX-1124-K, VSX-1129-K: 702807336108A)  
 (VSX-80: 702807336106A)



• NOTE FOR FUSE REPLACEMENT  
**CAUTION** - FOR CONTINUED PROTECTION AGAINST RISK OF FIRE,  
 REPLACE WITH SAME TYPE AND RATINGS OF FUSE.



**NOTES**

- Resistor values are indicated in ohms unless otherwise specified [ k = 1,000 m = 1,000,000 ]
- Capacitor values are indicated in microfarads unless otherwise specified. [ p = micro-microfarads ]
- : These resistor are to be segregated from printed wiring board or other accessible parts.  
**CAUTION**  
 Safety precaution to be followed during servicing

- Since those parts marked with are critical parts for safety, use only the one described in the parts list
- Before returning the set to the customer make appropriate leakage current or resistance measurements to determine the exposed parts are properly insulated from the supply circuit.

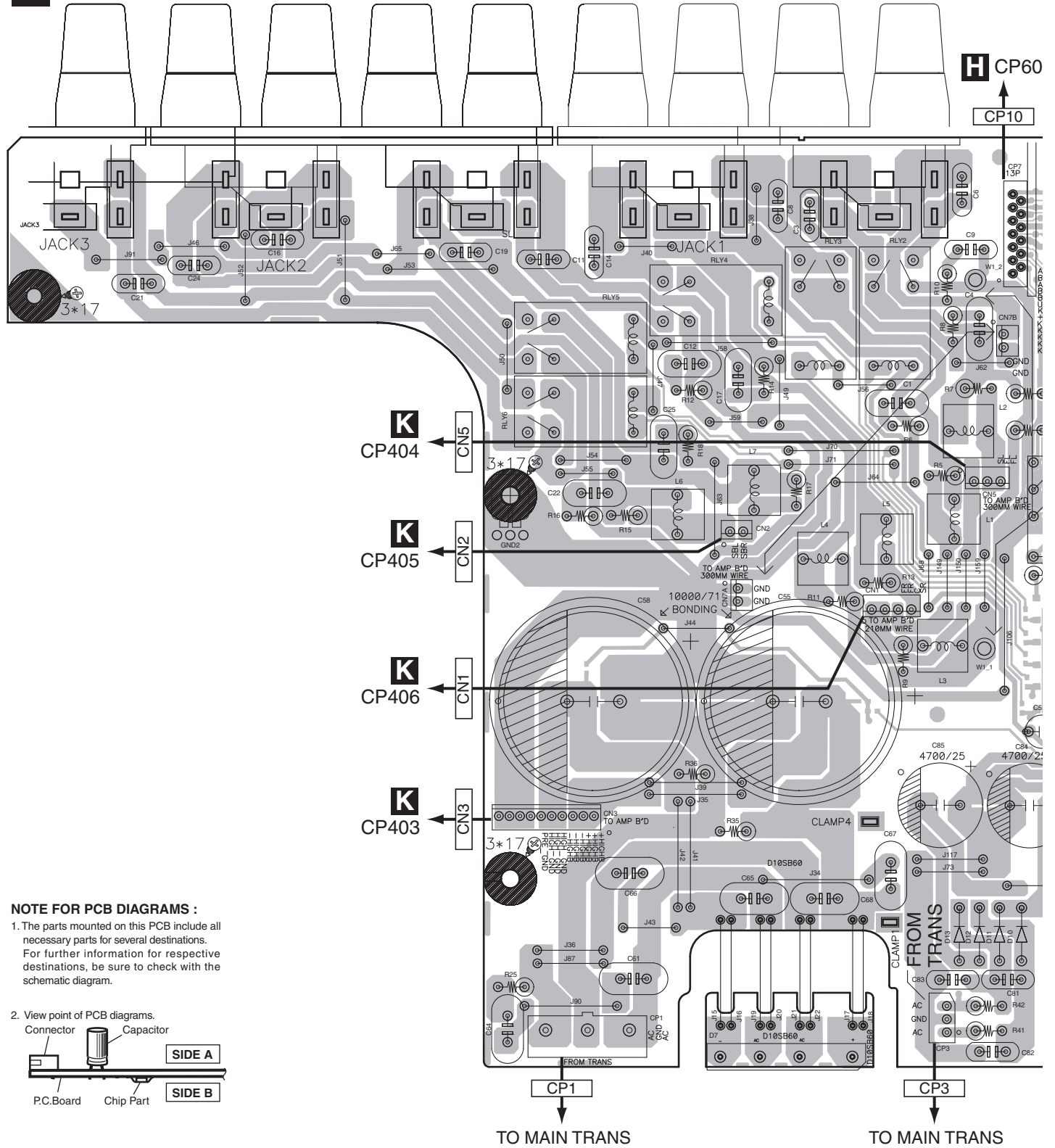
INDICATES SAFETY CRITICAL COMPONENTS.  
 TO REDUCE THE RISK OF ELECTRIC SHOCK, LEAKAGE CURRENT OR RESISTANCE MEASUREMENTS SHALL BE CARRIED OUT ( EXPOSED PARTS ARE ACCEPTABLY INSULATED FROM THE SUPPLY CIRCUIT ) BEFORE THE APPLIANCE RETURNED TO THE CUSTOMER.

# 11. PCB CONNECTION DIAGRAM

## 11.1 MAIN and TEMP ASSYS

**A** SIDE A

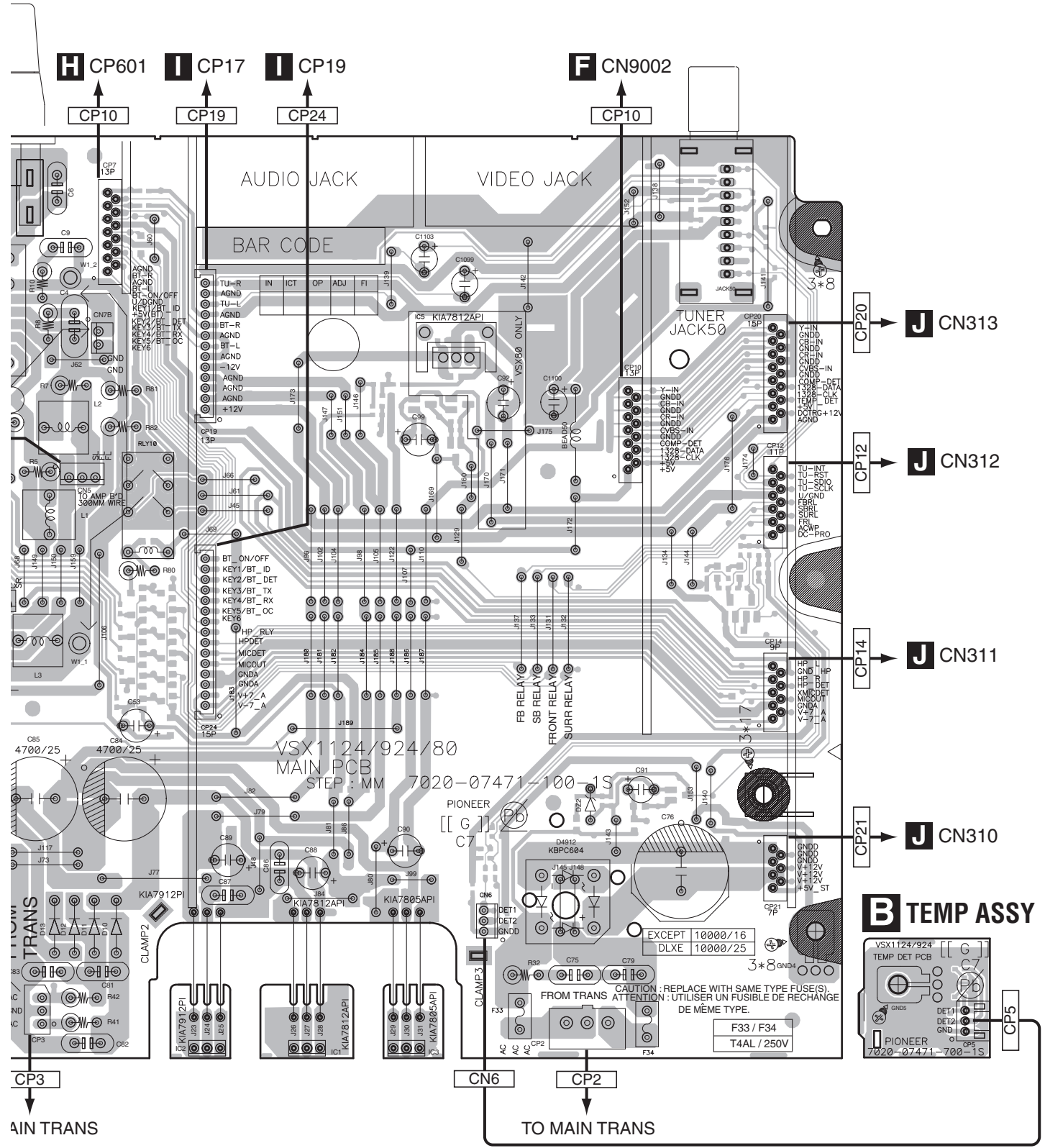
**A** MAIN ASSY



**A**

**SIDE A**

A



B

C

D

E

F

IC2

IC1

IC3

IC5

**VSX-1124-K**

**A B**

**SIDE B**

A

B

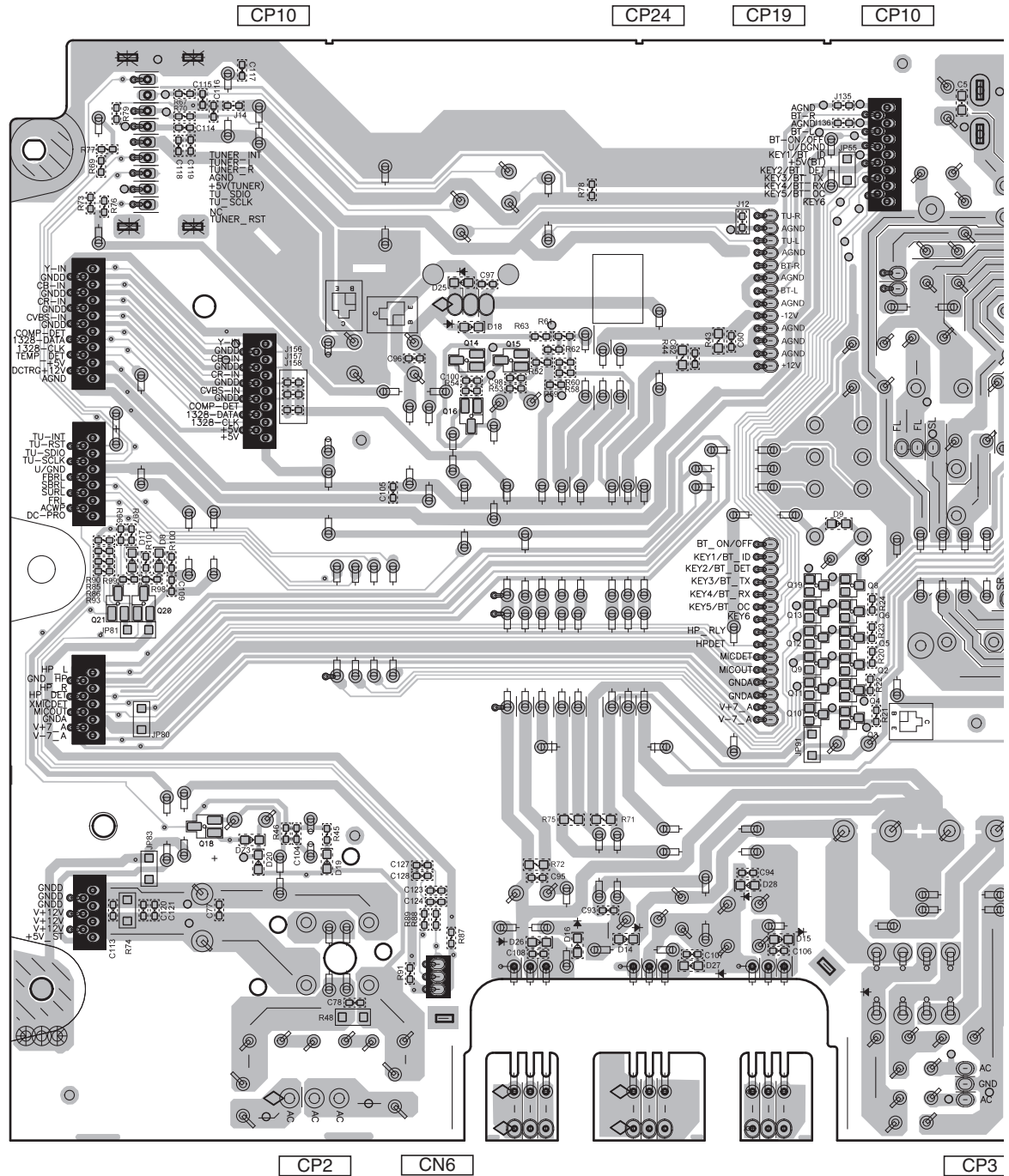
C

D

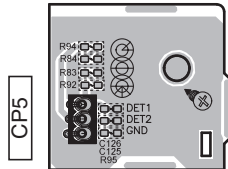
E

F

**A MAIN ASSY**



**B TEMP ASSY**



**A B**



**SIDE B**

A

B

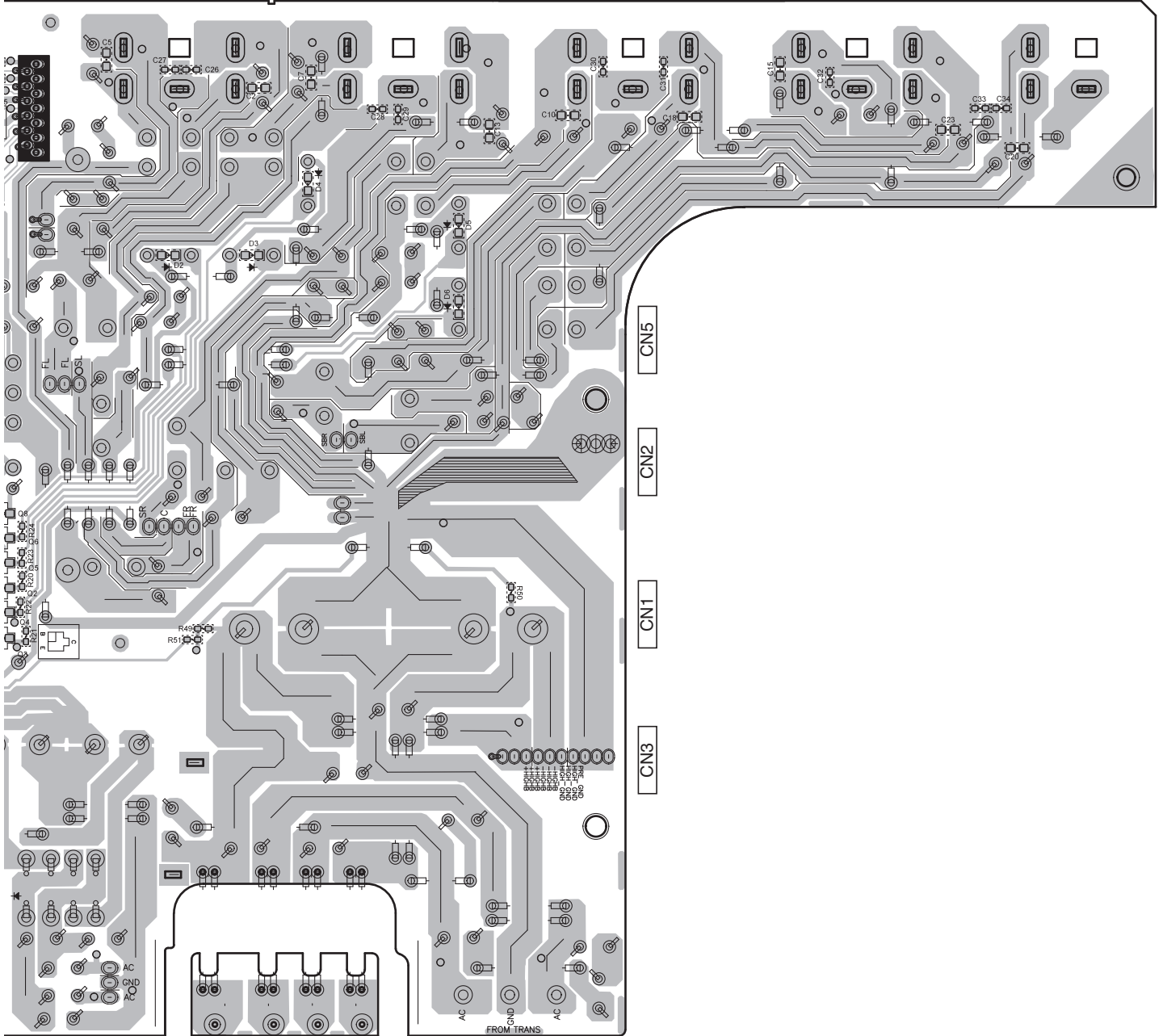
C

D

E

F

CP10



CP3

CP1

CN5

CN2

CN1

CN3

# 11.2 DMAIN ASSY

**SIDE A**

**C DMAIN ASSY**

**L CP3603**

CN9502

D CP2009

B CN1802

P CX101

CN9501

A

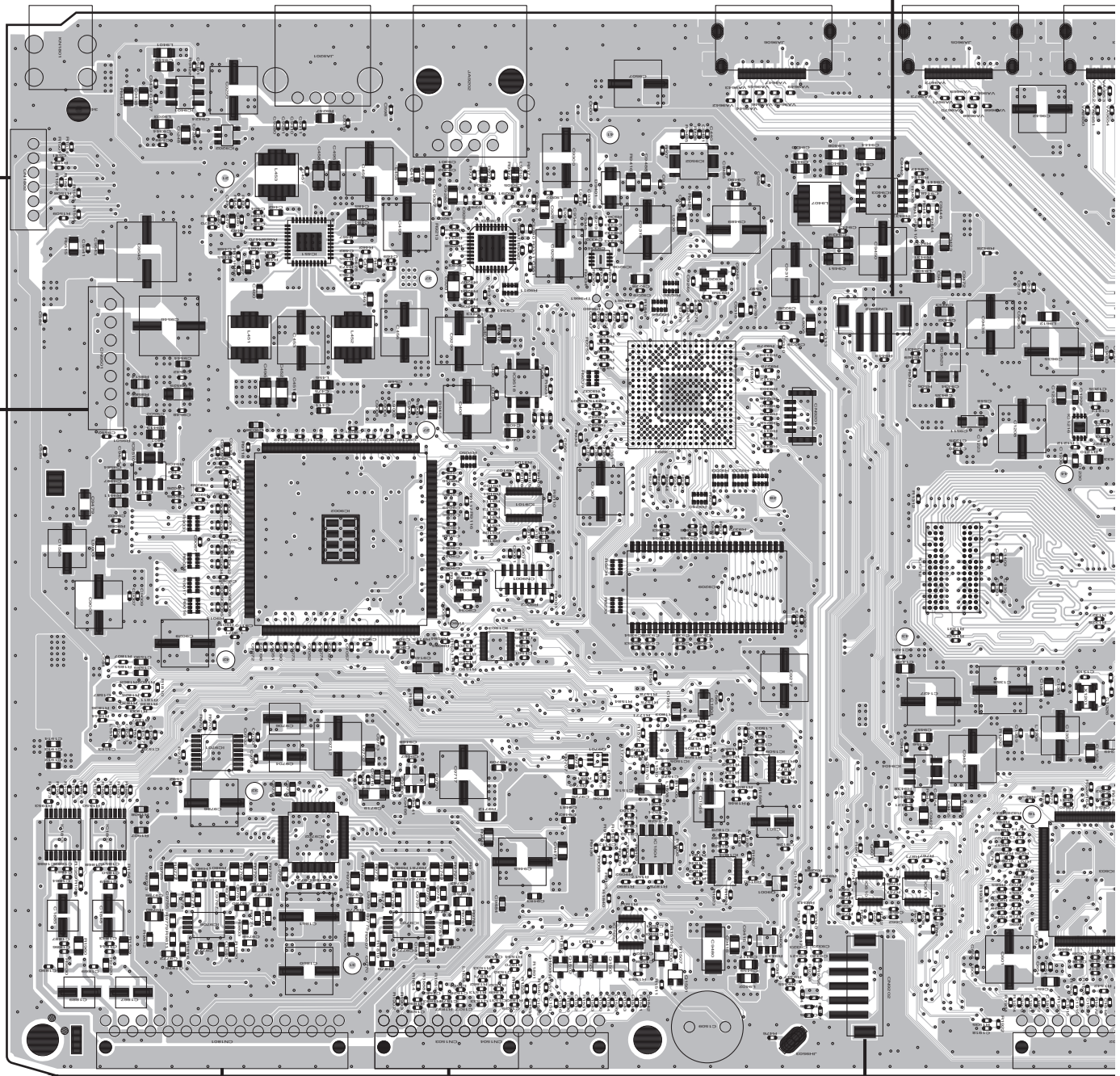
B

C

D

E

F



CN1801

CN1504

CN9202

**E** CN2111

**E** CN2114

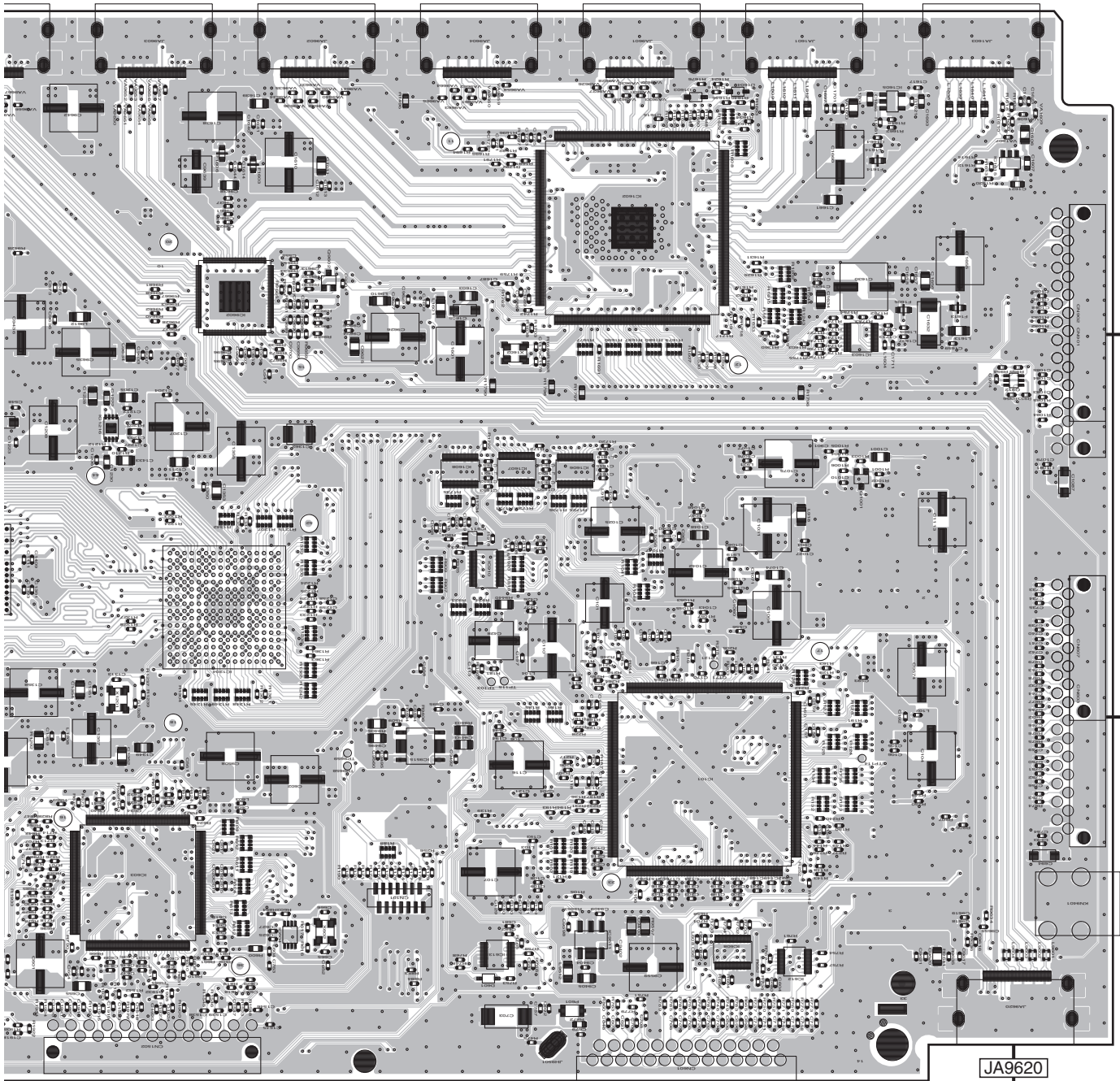
**L** CP3601

IC9401	IC9202	IC451	IC9203	IC9206	IC9502	IC9403	IC9523	IC1216
IC9510	IC9002	IC9518	IC9101	IC9204	IC9209	IC9404	IC1212	IC60
IC1818	IC1802	IC9701	IC9408	IC9701	IC1505	IC1509	Q9001	
	IC9706	IC9702	IC9703	IC1503	IC1504	IC1804	Q601	
				IC1502	IC9406	IC610	IC611	
				Q1502-Q1505				

**C**

**SIDE A**

A



**J** CN303  
CN902

**J** CN302  
CN607

**J** CN301  
CN601

**L** JACK8203  
JA9620

IC1216	IC9602	Q9602	IC1608	IC1607	IC1606	IC1602	IC1605	IC1615
	IC1204		IC911				IC1603	Q912
IC603		IC604	IC9515	IC910		IC101	Q1001	
			IC613	IC9511		IC608	IC612	

F

VSX-1124-K

**C**

**SIDE B**

A

**C** DMAIN ASSY

B

C

D

E

F

CN902

CN607

JA9620

CN601

Q906-Q911

Q9606 Q9607

Q9608-Q9611

IC9603

IC9505

IC103

IC909

IC902

IC1601

Q9603

IC9405

IC105

IC901

IC9508

IC

IC102

IC104

IC61

**C**

**SIDE B**

A

CN9502

CN1802

B

CN9501

C

D

E

CN9202

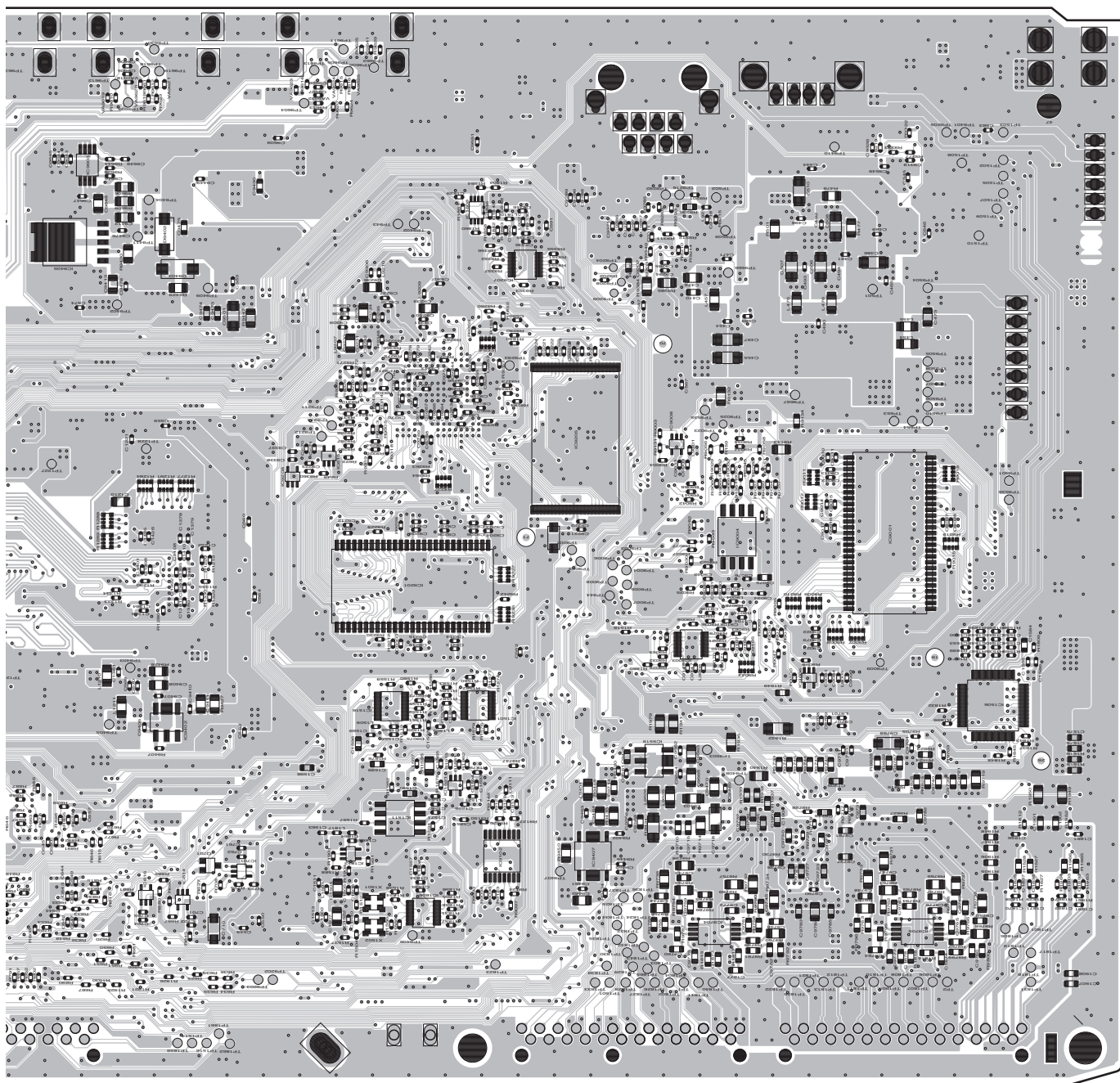
CN1504

CN1801

F

**C**

VSX-1124-K



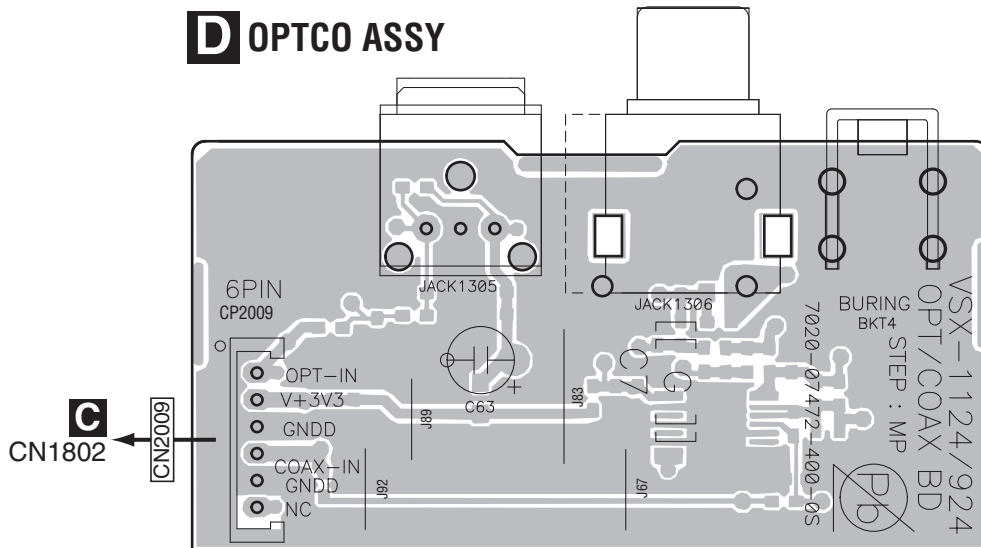
- IC9603
- IC615
- IC1808
- IC9008
- IC9001
- IC1506
- IC9405
- IC9402
- IC9208
- IC9201
- IC9205
- IC9004
- IC9006
- IC9705
- IC616
- Q701
- IC701
- IC1516
- IC1501
- IC9519
- IC9704
- IC614
- IC1812
- IC1511
- IC1521
- IC9102
- IC9407
- IC1806

# 11.3 OPTCO ASSY

SIDE A

SIDE A

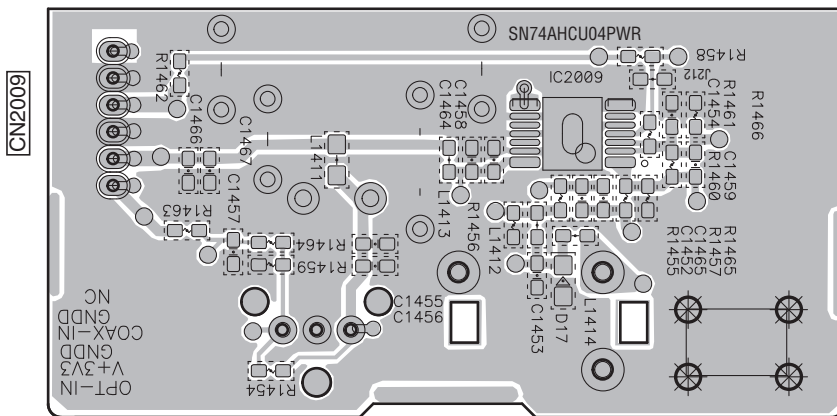
## D OPTCO ASSY



SIDE B

SIDE B

## D OPTCO ASSY



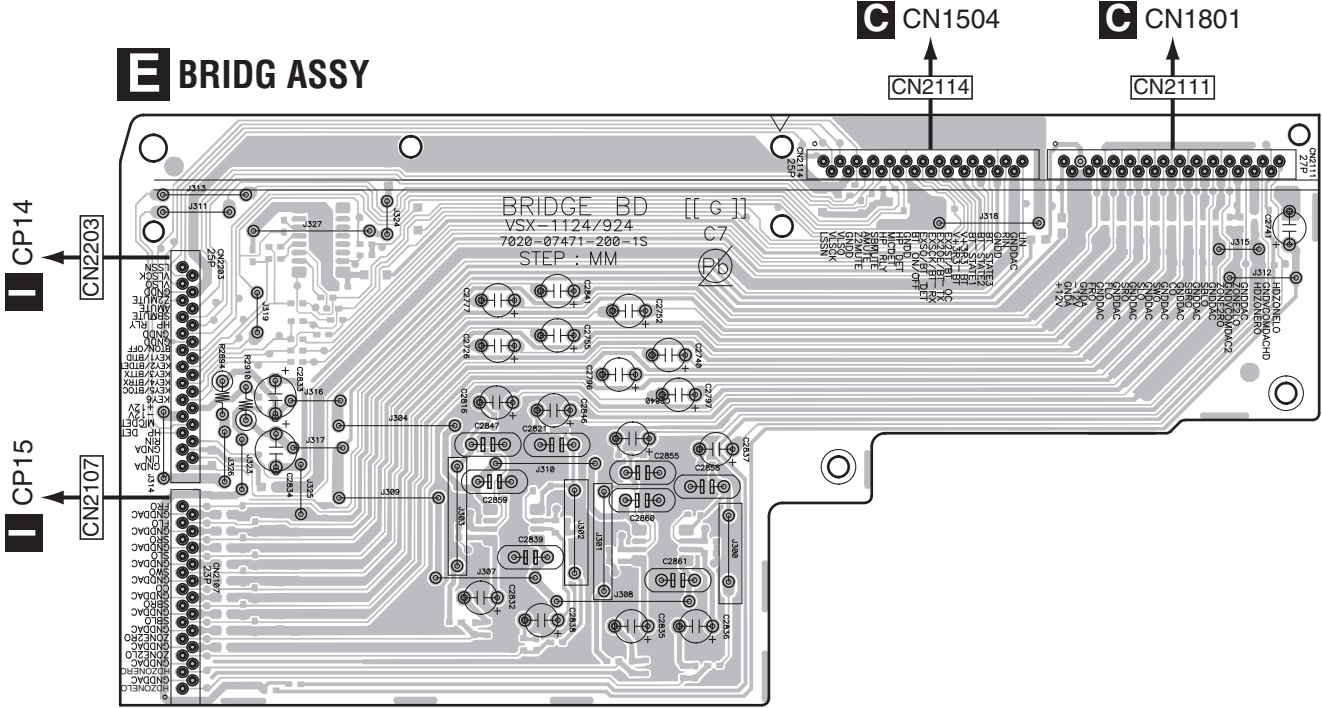
IC2009

D

# 11.4 BRIDG ASSY

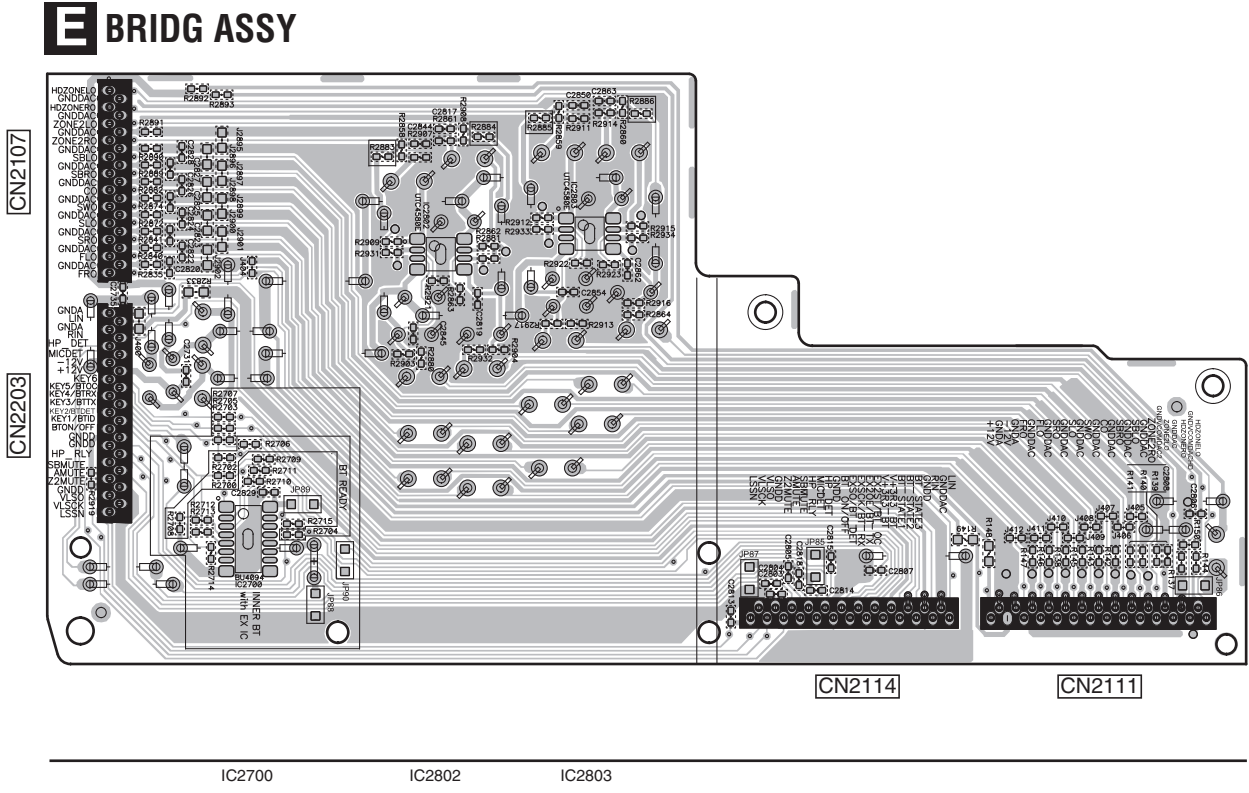
**SIDE A**

**SIDE A**



**SIDE B**

**SIDE B**



VSX-1124-K



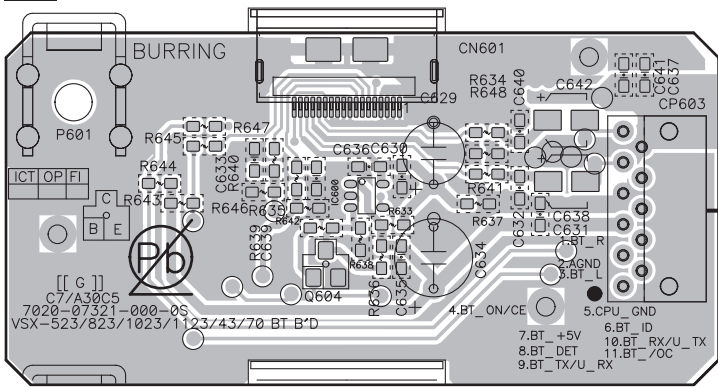




# 11.6 BT and BT-CNT ASSYS

**SIDE A**

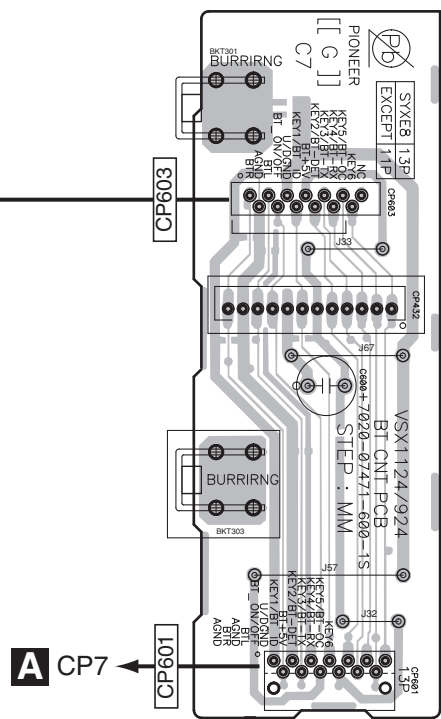
**G BT ASSY**



Q604 IC600

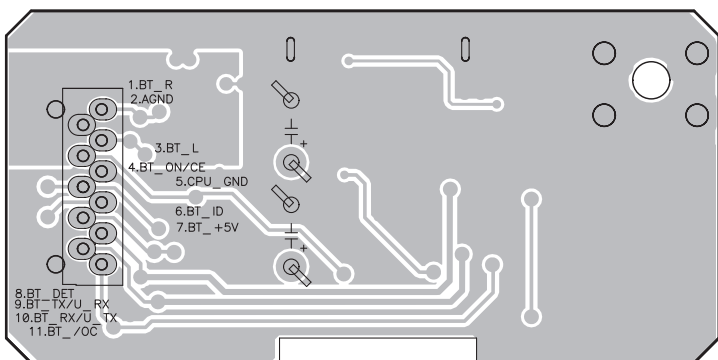
**SIDE A**

**H BT-CNT ASSY**



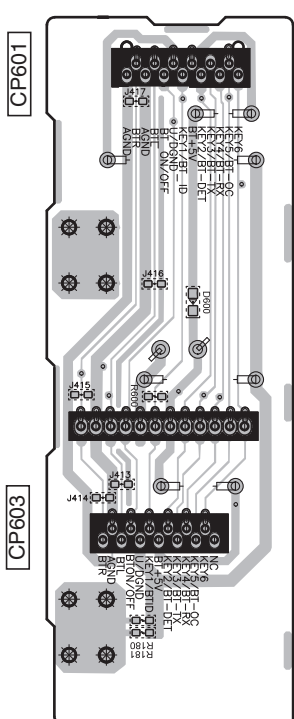
**SIDE B**

**G BT ASSY**



**SIDE B**

**H BT-CNT ASSY**

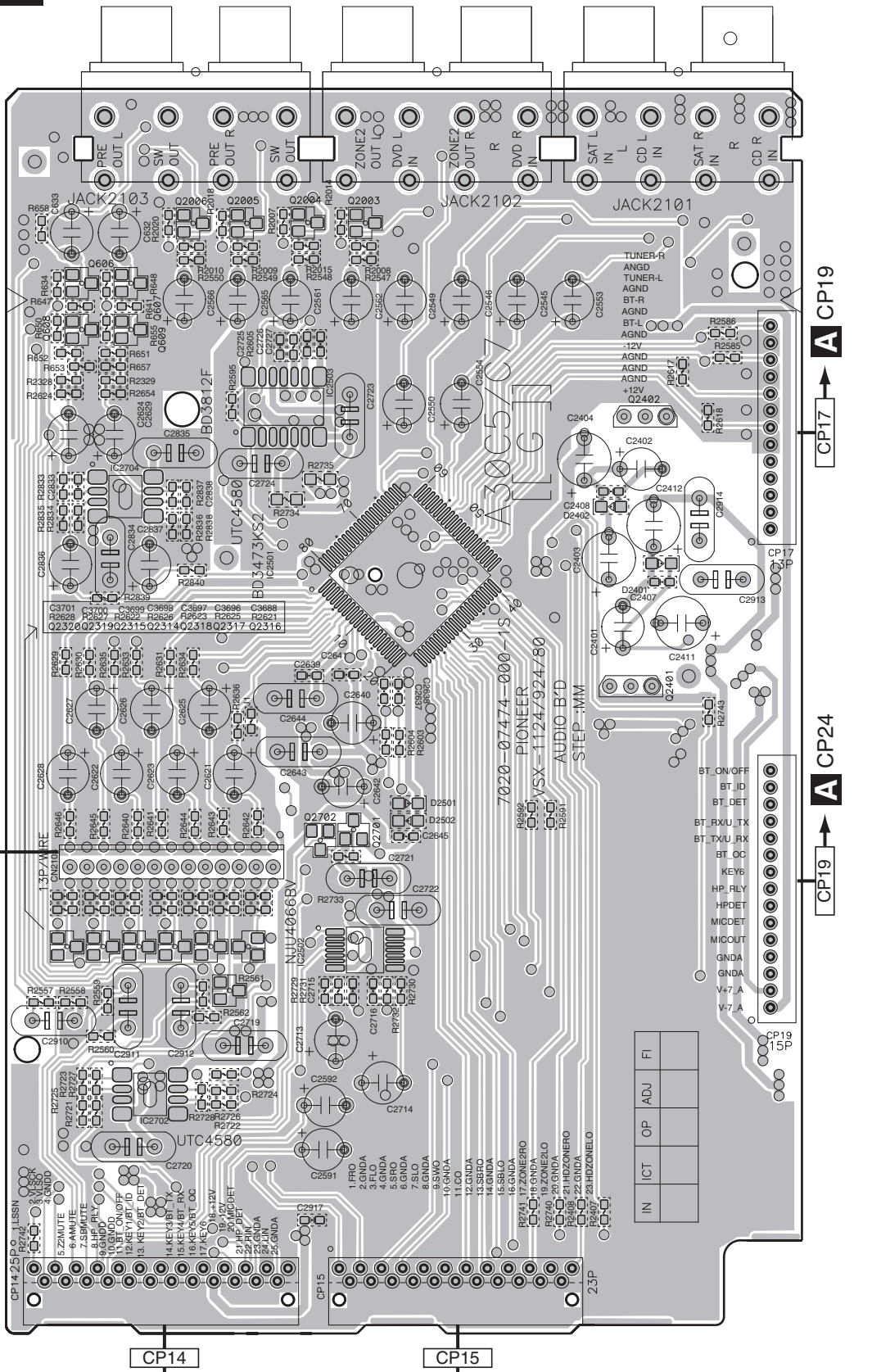


# 11.7 AUDIO ASSY

SIDE A

SIDE A

## AUDIO ASSY



- Q2003-Q2006
- Q606-Q609
- IC2503 Q2402
- IC2704
- IC2501
- Q2401
- Q2702 Q2701
- Q2314-Q2320 IC2502
- IC2702

**SIDE B**

**SIDE B**

A

B

C

D

E

F

# AUDIO ASSY

CP17

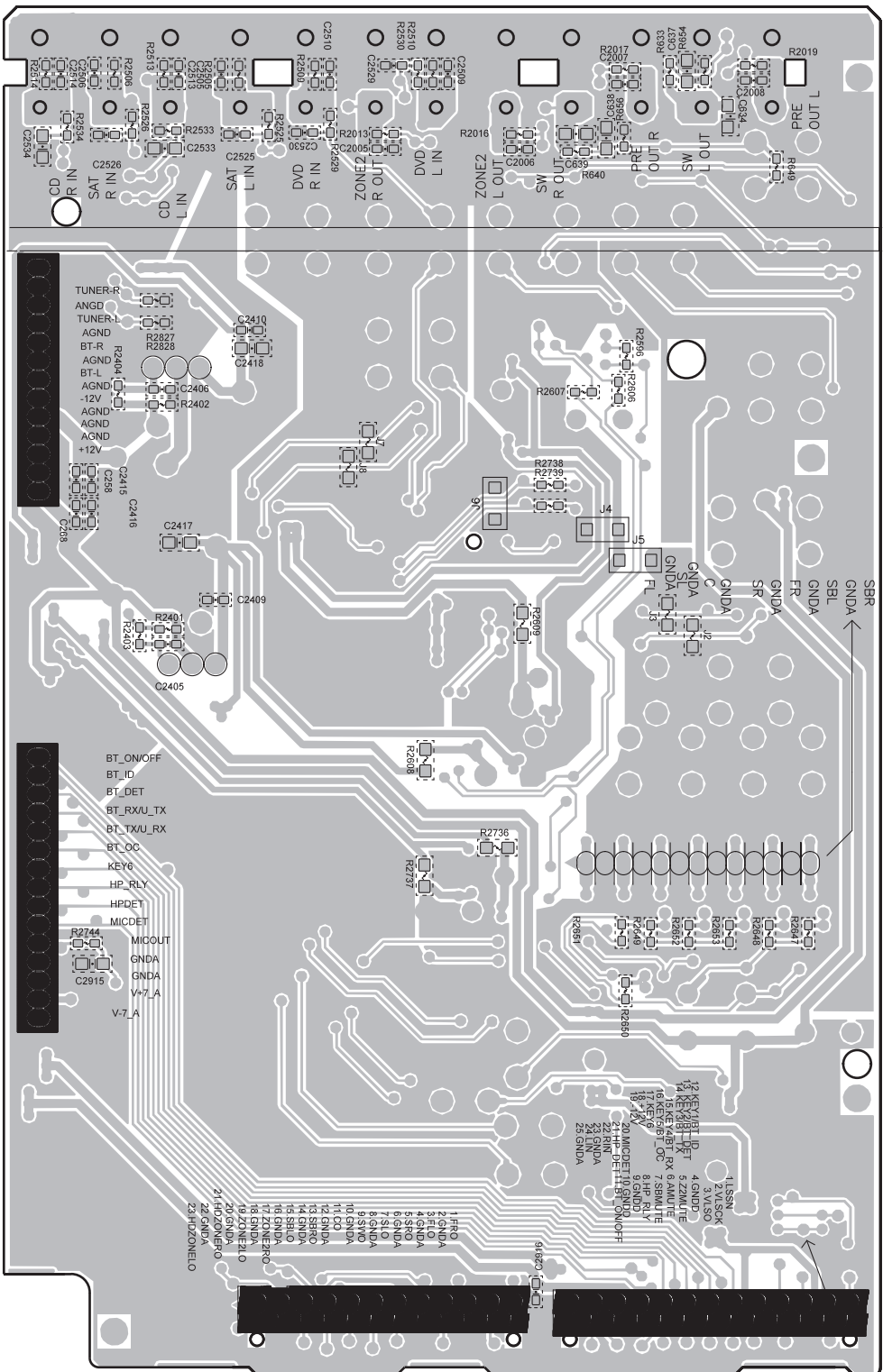
CP19

CN2103

CP15

CP14

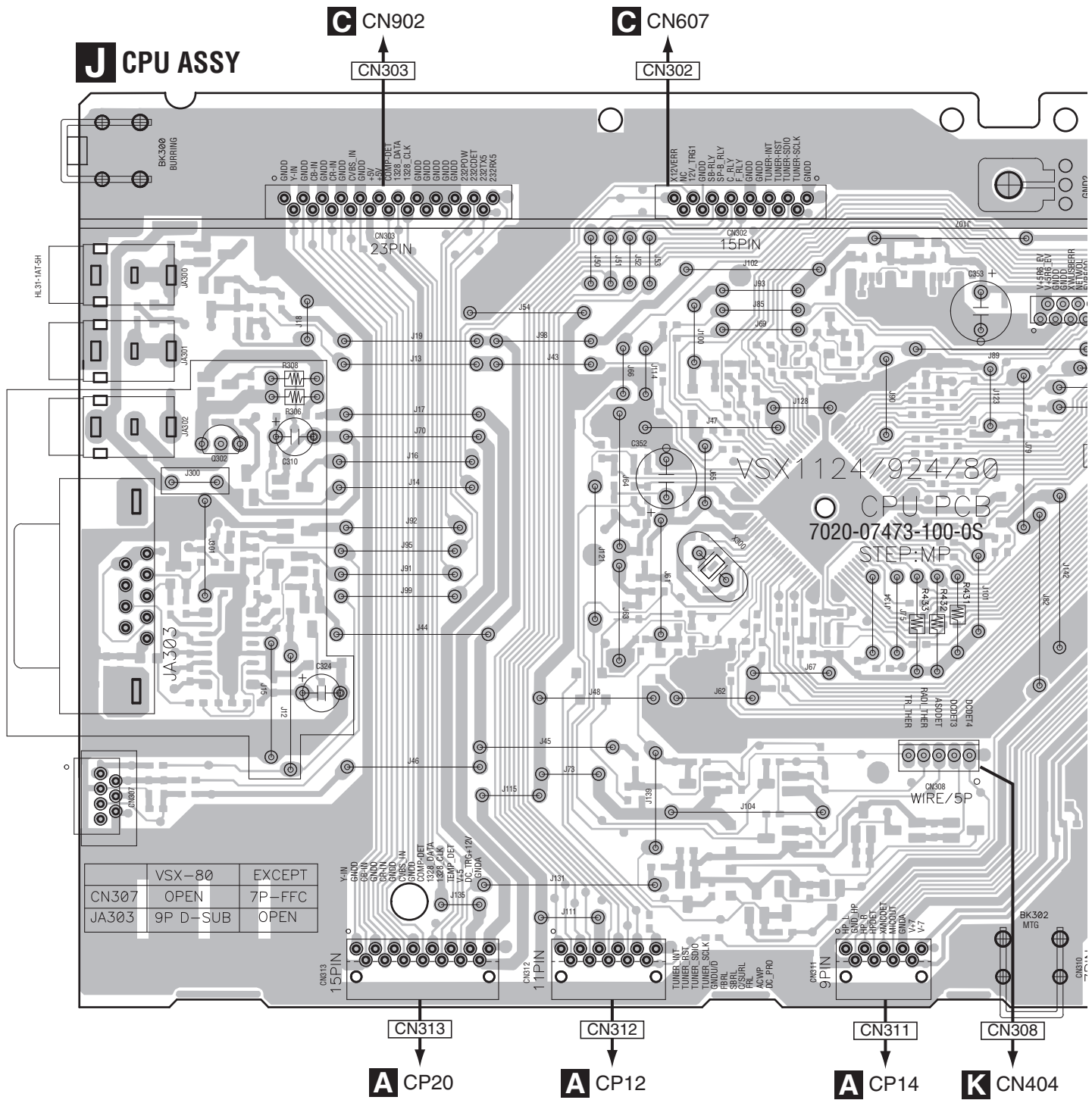
VSX-1124-K



# 11.8 CPU ASSY

**SIDE A**

**J CPU ASSY**

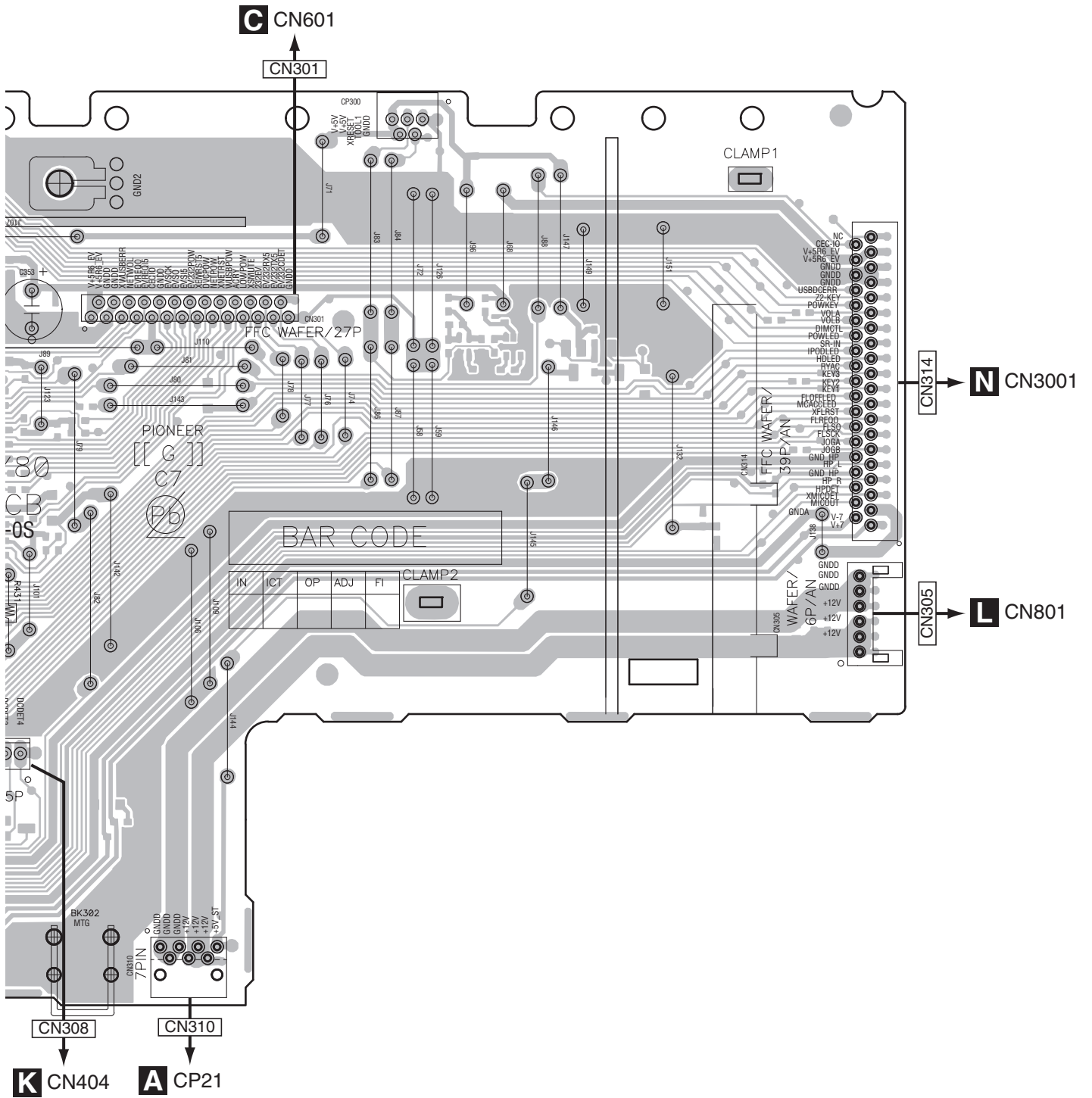


Q302

**J**

**SIDE A**

A  
B  
C  
D  
E  
F



**J**

**SIDE B**

A

B

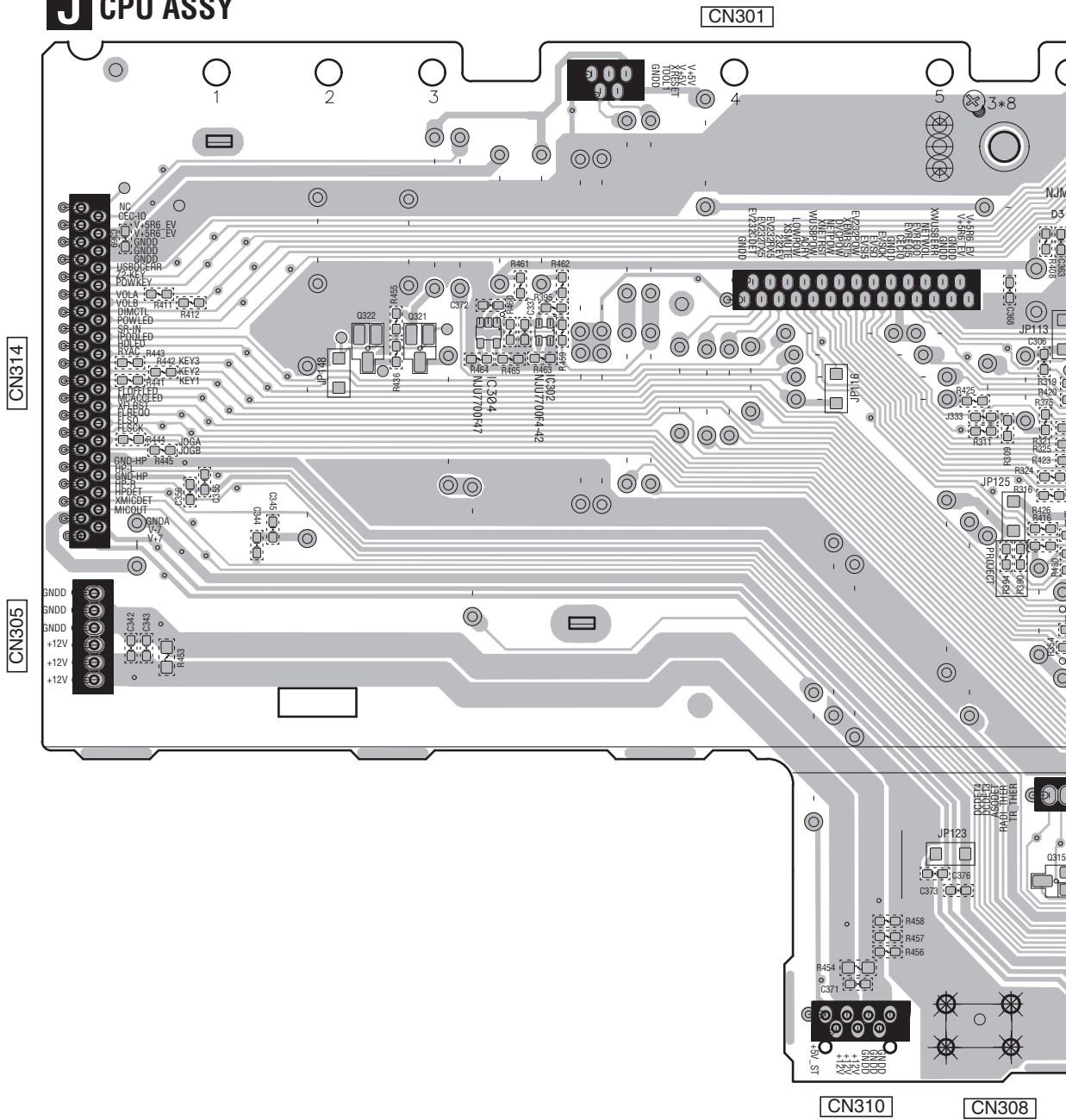
C

D

E

F

**J CPU ASSY**



Q322 Q321 IC304 IC302

K  
Q31

**J**

70

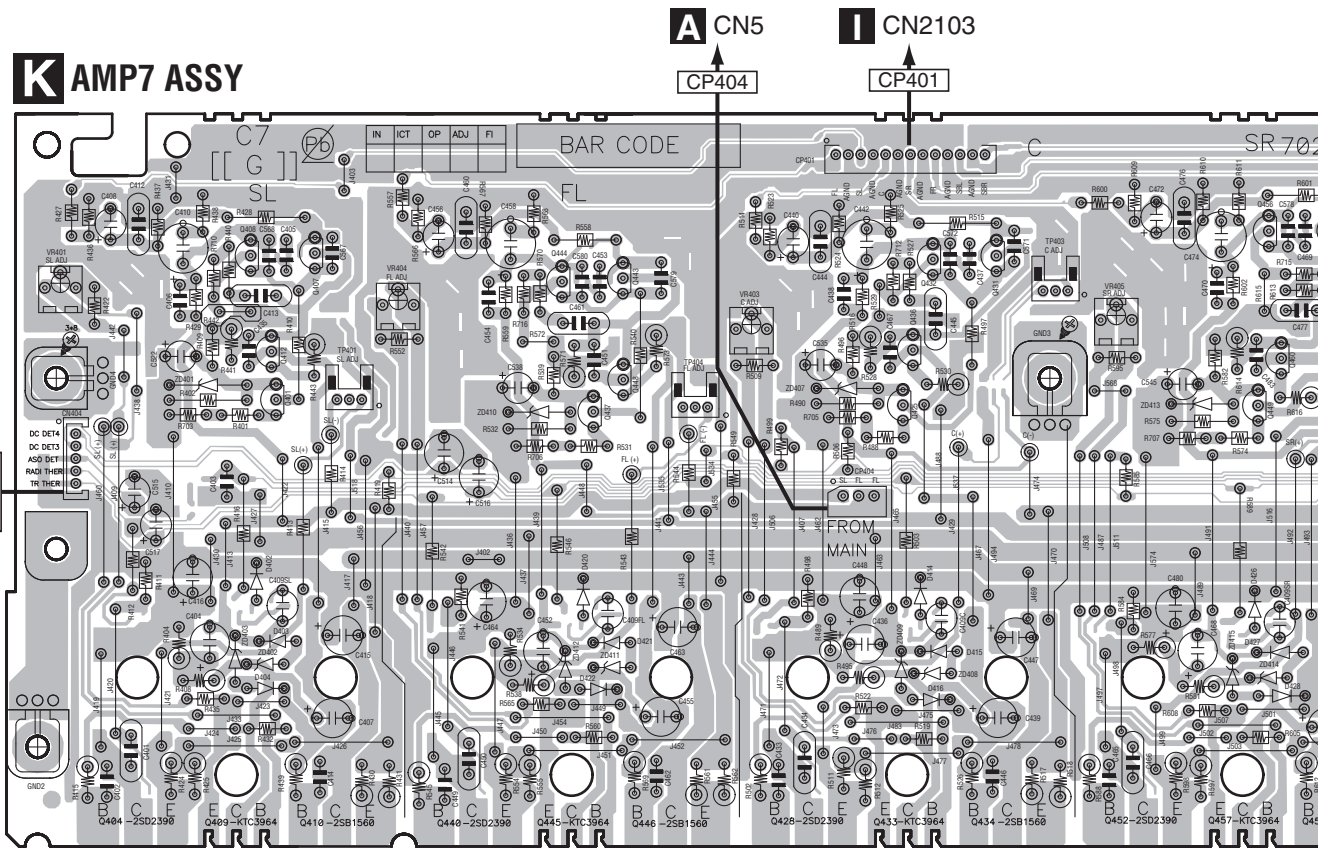
VSX-1124-K



# 11.9 AMP7 ASSY

**SIDE A**

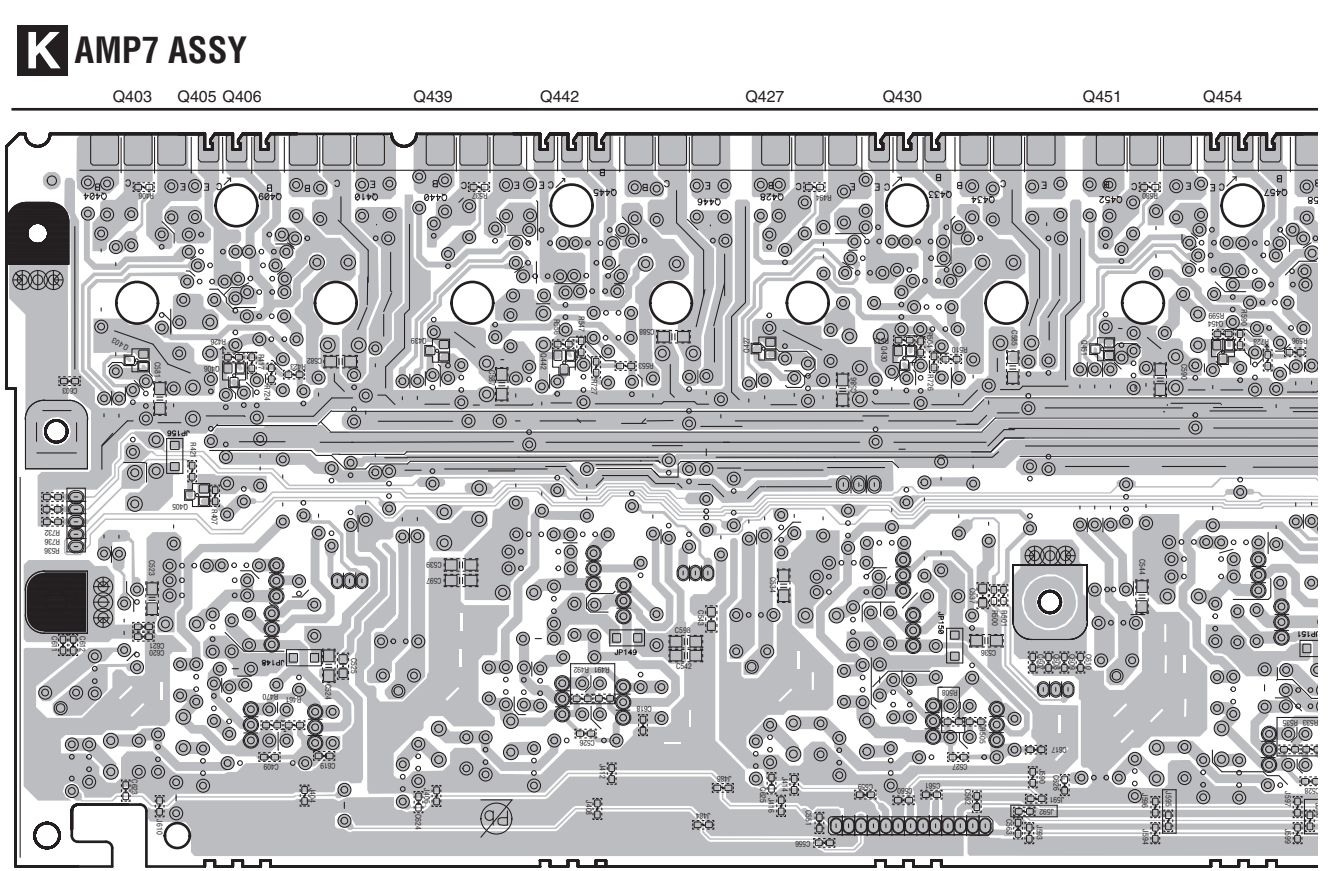
**K AMP7 ASSY**



VR401	Q404	Q408	Q412	Q407	VR404	Q444	Q448	Q443	VR403	Q432	Q431	VR405	Q456
	Q409	Q410	Q410	Q410	Q440	Q445	Q437	Q446	Q428	Q433	Q434	Q452	Q460
													Q449
													Q457

**SIDE B**

**K AMP7 ASSY**



Q403	Q405	Q406	Q439	Q442	Q427	Q430	Q451	Q454
------	------	------	------	------	------	------	------	------

**K**



**A** CN1

**A** CN3

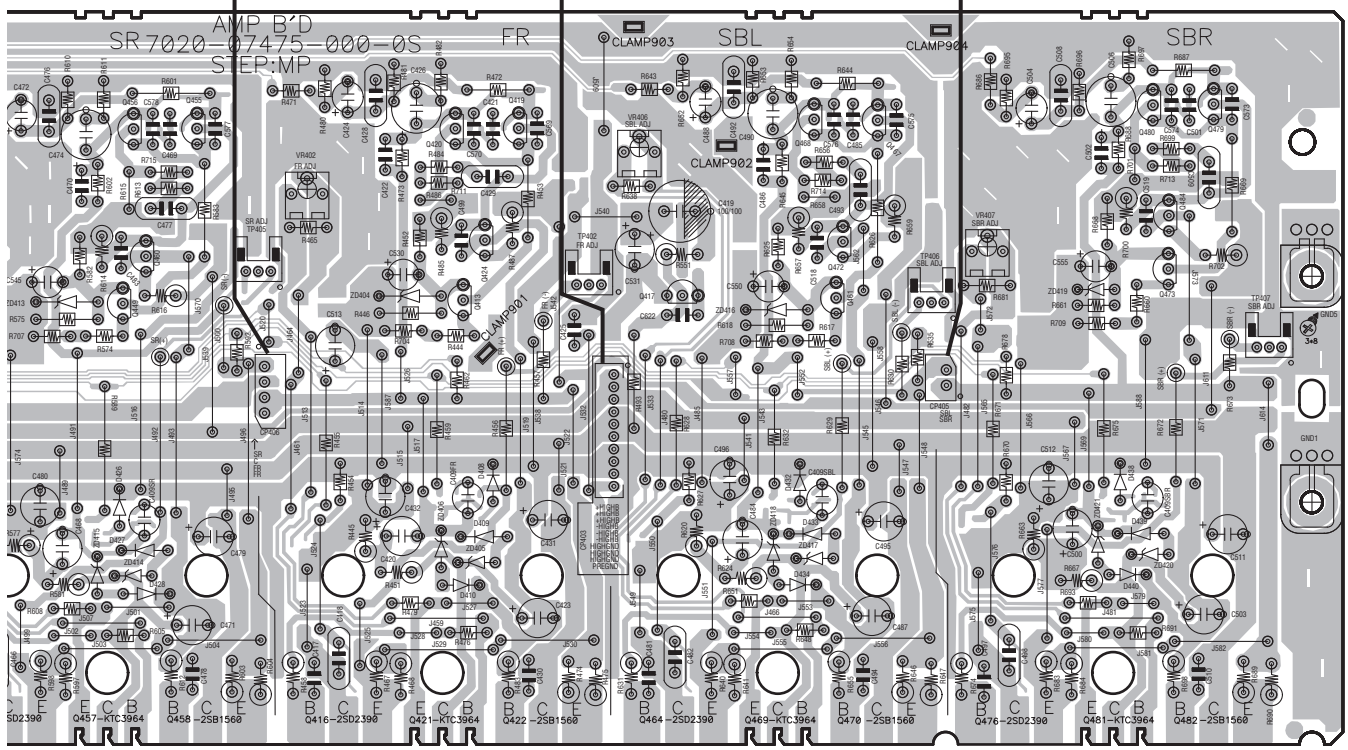
**A** CN2

**SIDE A**

CP406

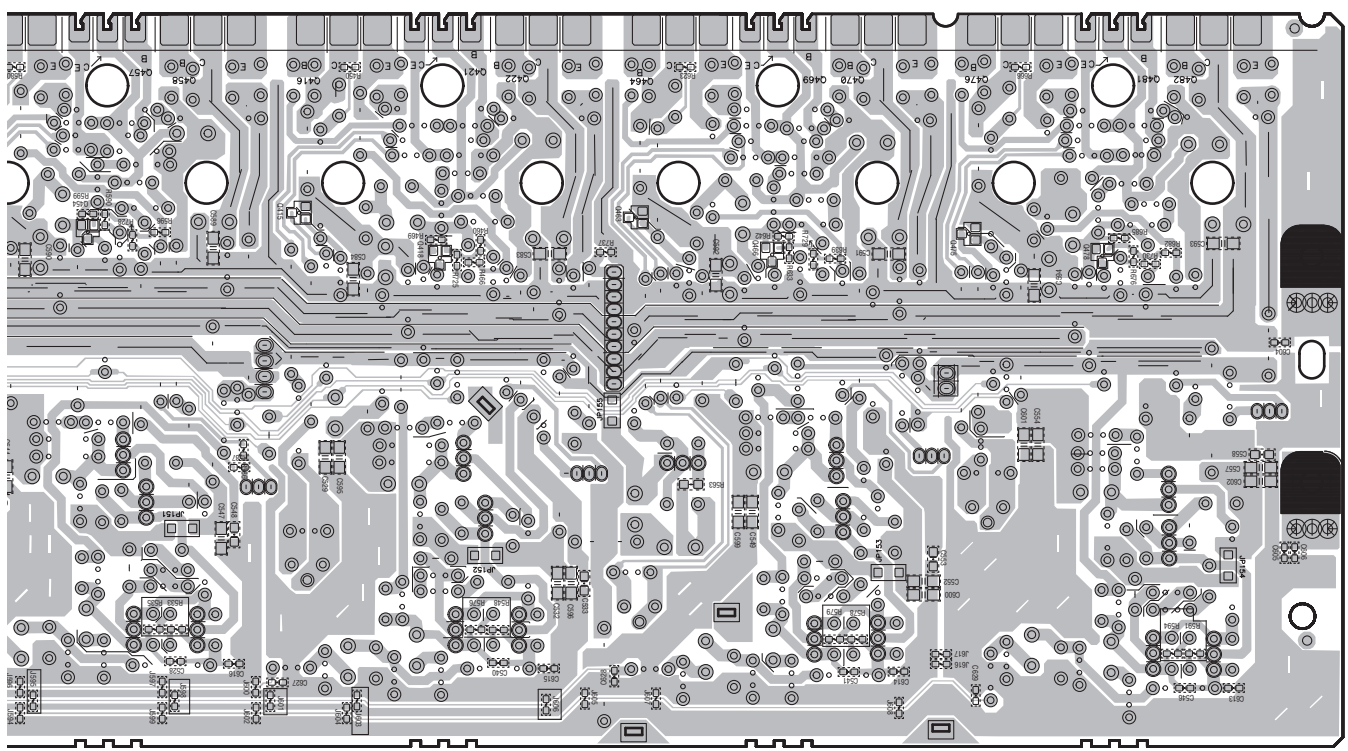
CP403

CP405



Q454 Q415 Q418 Q463 Q466 Q475 Q478

**SIDE B**



CP406

CP403

CP405

VSX-1124-K

**K**

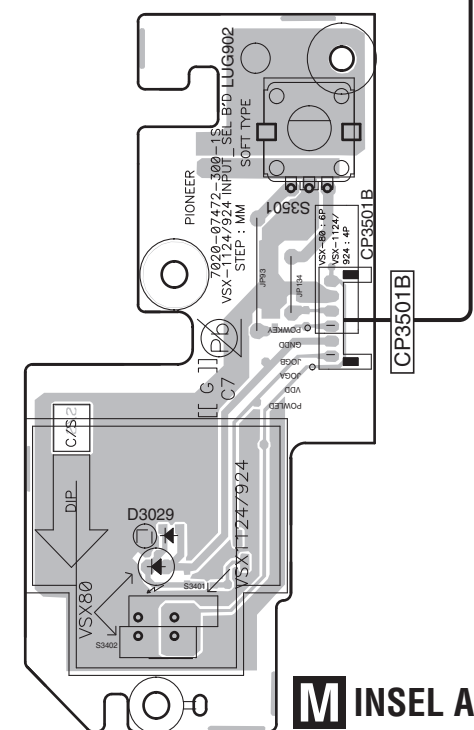
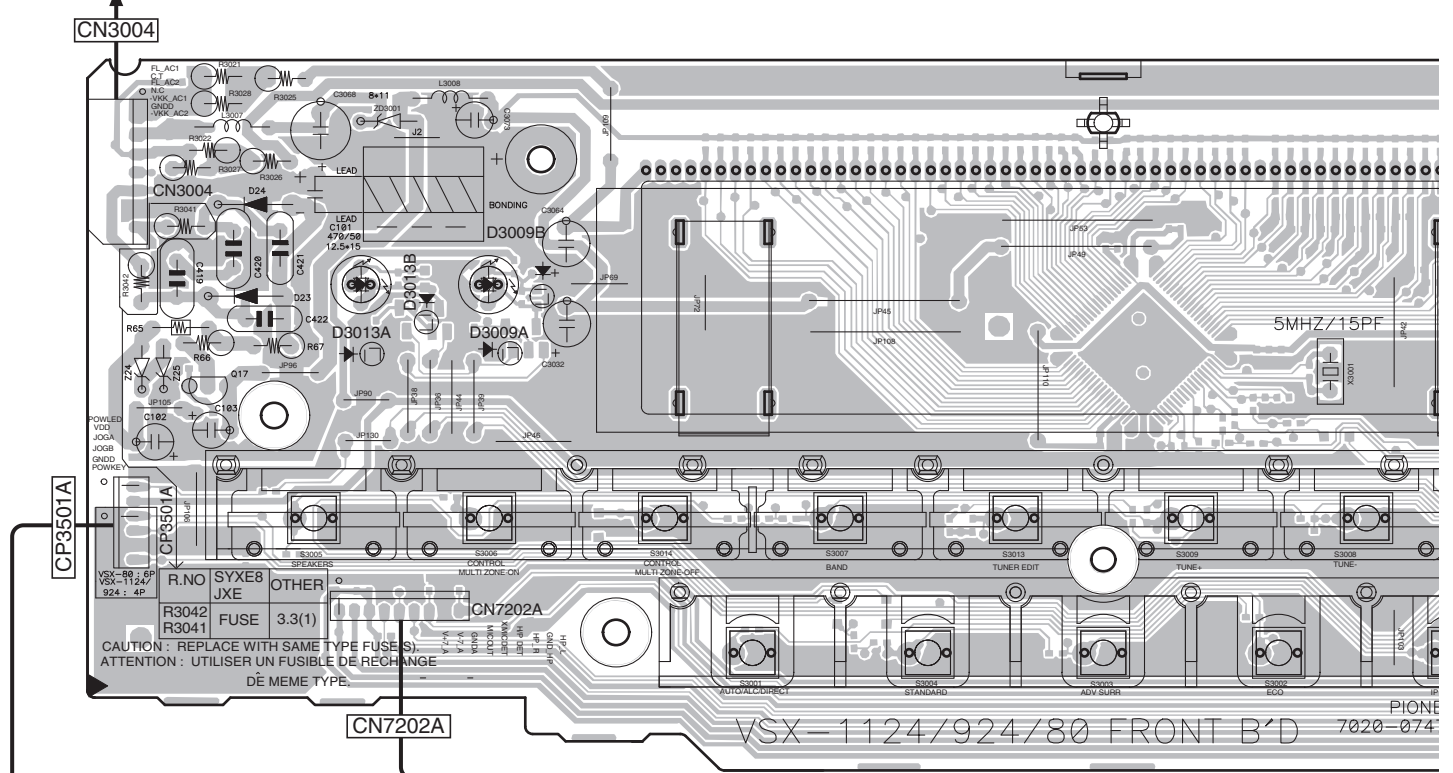
# 11.10 FHDMI, INSEL, FRONT and HPMIC ASSYS

**SIDE A**

A  
B  
C  
D  
E  
F

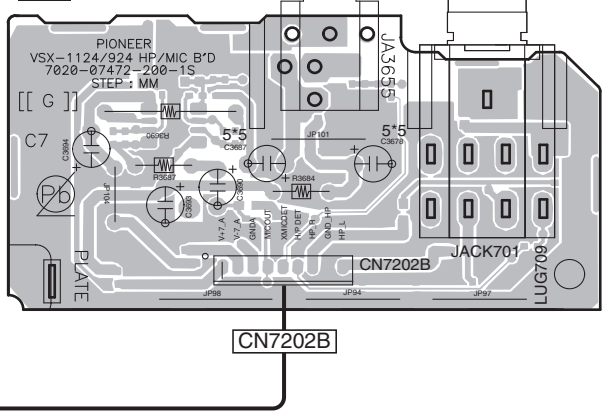
Q17

TO MAIN TRANS



**M** INSEL ASSY

**HPMIC ASSY**



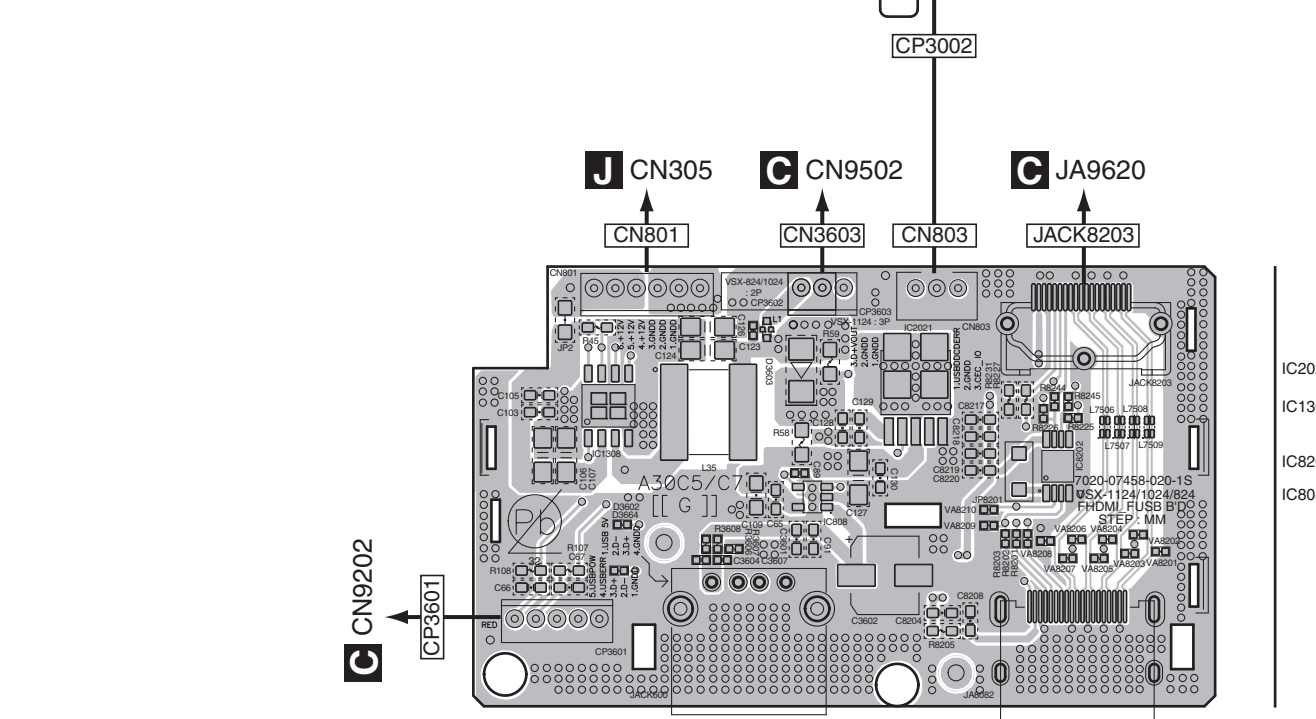
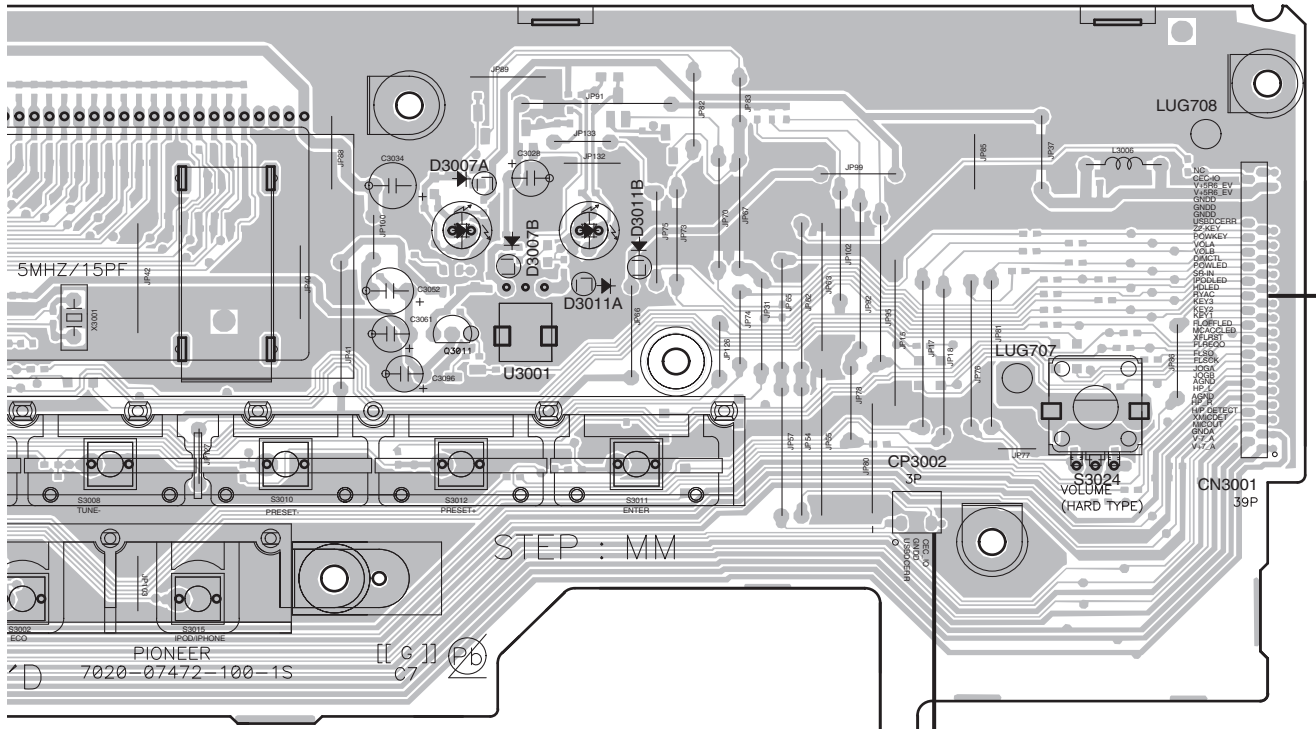
CN7202B

**M N O**

**SIDE A**

Q3011

**N FRONT ASSY**



**L FHDMI ASSY**

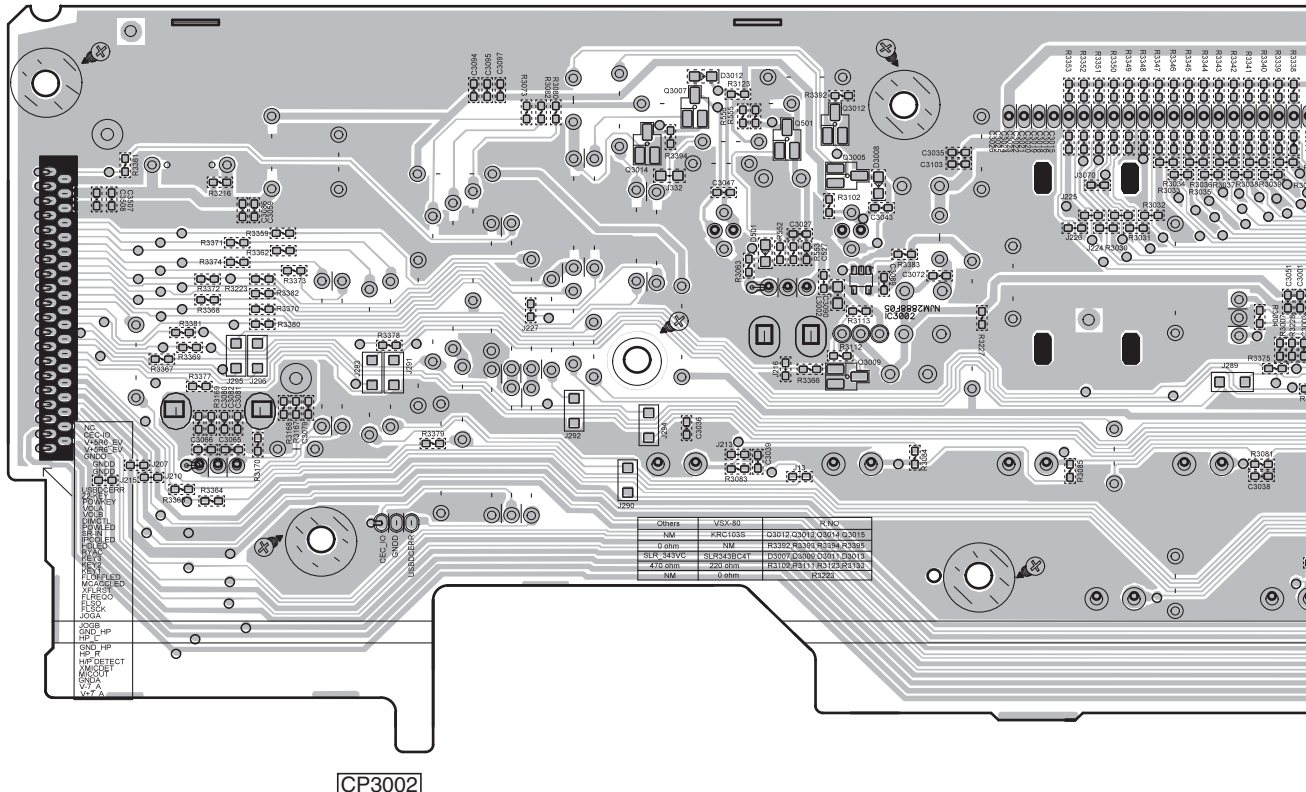
VSX-1124-K

**L N**

**SIDE B**

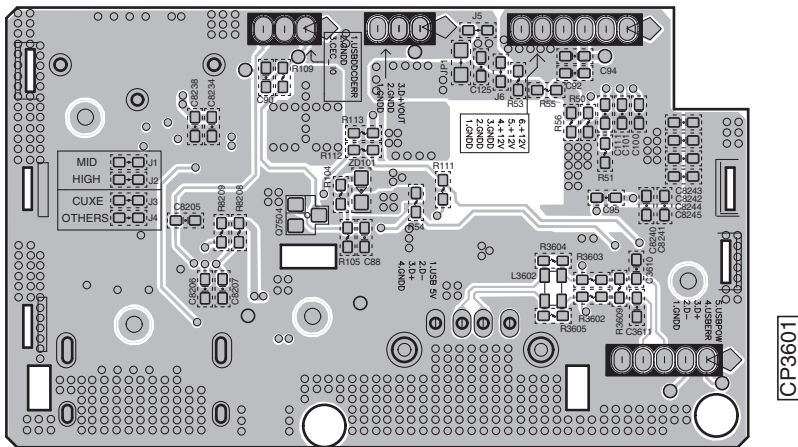
Q501 Q3012  
 Q3005 IC3002  
 Q3007  
 Q3014 Q3009

**N FRONT ASSY**



JACK8203 CN803 CN3603 CN801

Q7504



**L FHDMI ASSY**



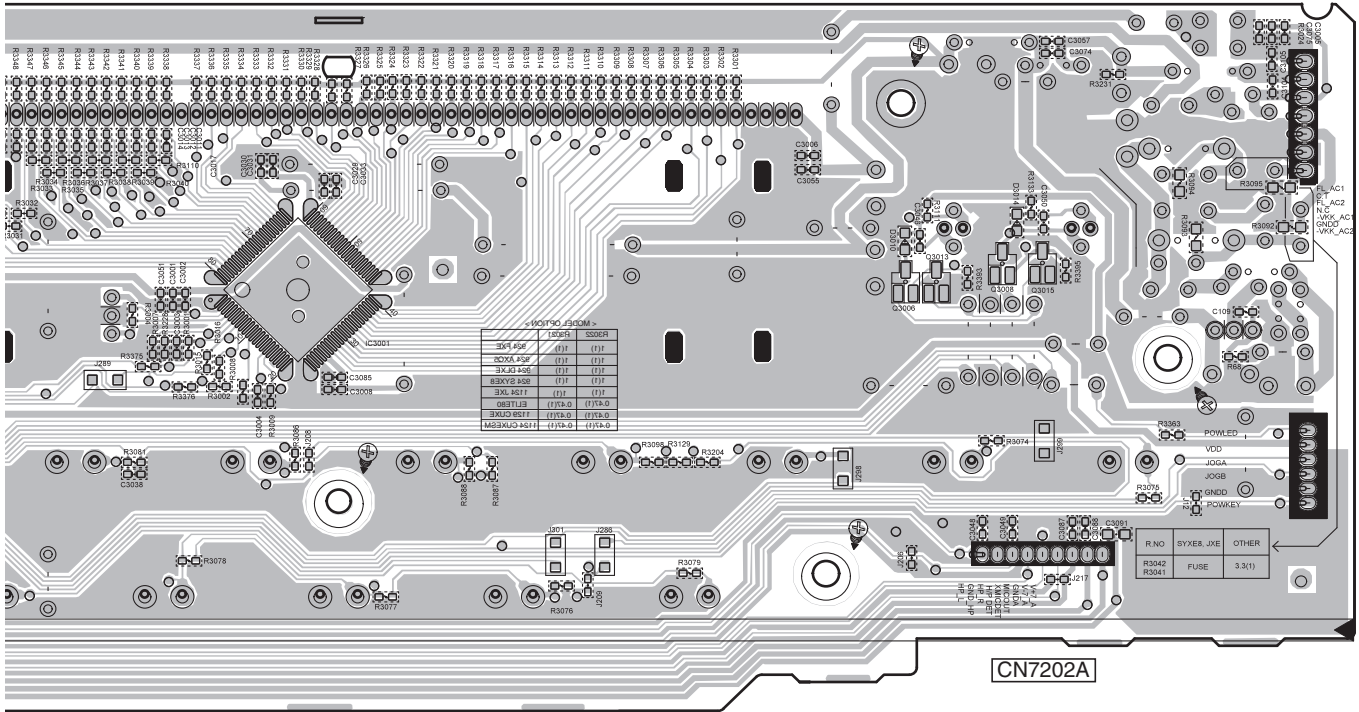
**SIDE B**

A

IC3001

Q3006 Q3013 Q3008 Q3015

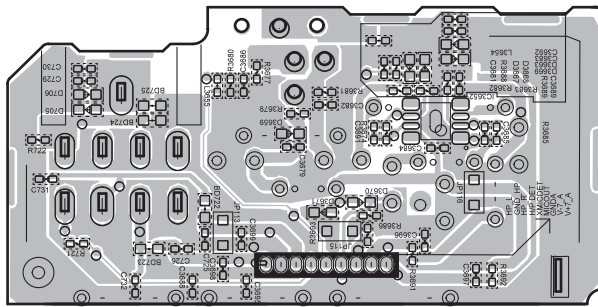
CN3004



B

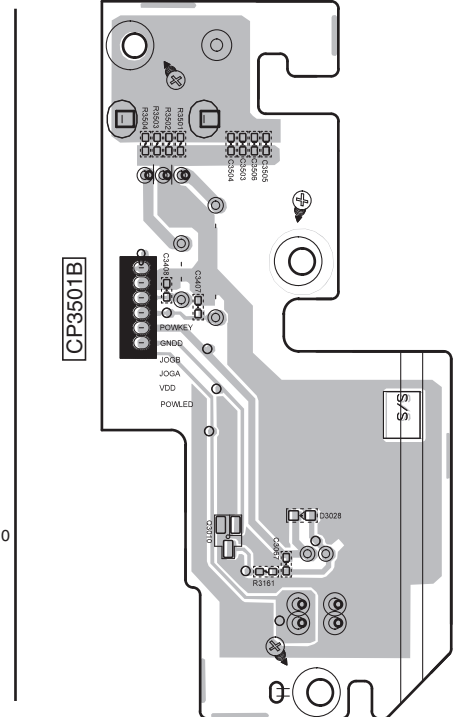
C

**HPMIC ASSY**



CN7202B

**M INSEL ASSY**



CP3501B

Q3010

D

E

F

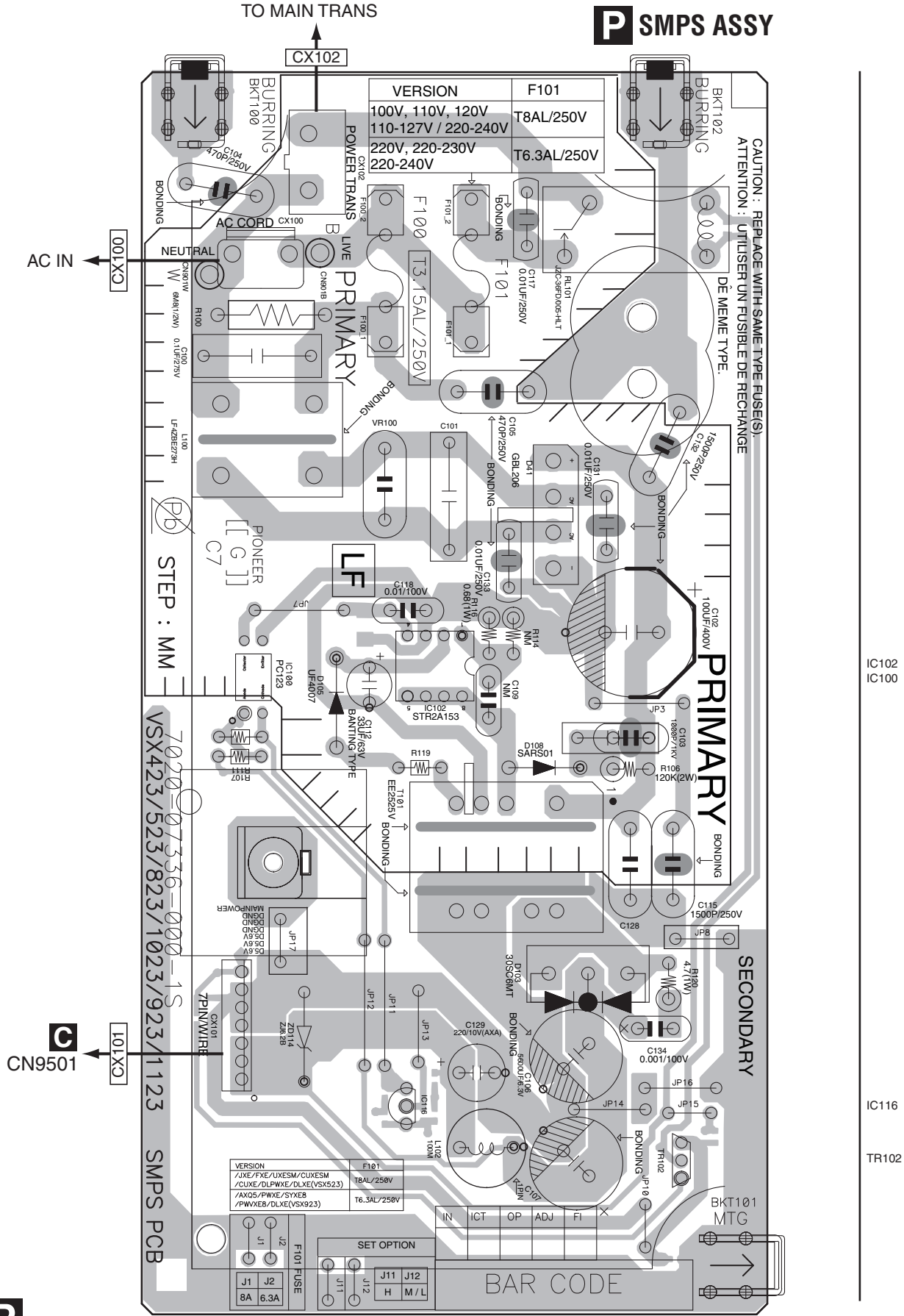
**M N O**

11.11 SMPS ASSY

SIDE A

SIDE A

SMPS ASSY



CAUTION : REPLACE WITH SAME TYPE FUSE(S)  
ATTENTION : UTILISER UN FUSIBLE DE RECHANG

DE MEME TYPE.

STEP : MM

VSX423/523/823/1023/923/1123

VERSION	F101
/JKE /FKE /UKESM /CJXESM	T8AL /250V
/CJXEZ /DL /PWKE /DLXE (VSX523)	T6.3AL /250V
/AX05 /PWXE /STXEB	
/PWXEB /DLXE (VSX923)	

J1	J2
8A	6.3A

SET OPTION	
J11	J12
H	M / L

BAR CODE

VSX-1124-K

IC102  
IC100

IC116

TR102

P

SIDE B

SIDE B

A

B

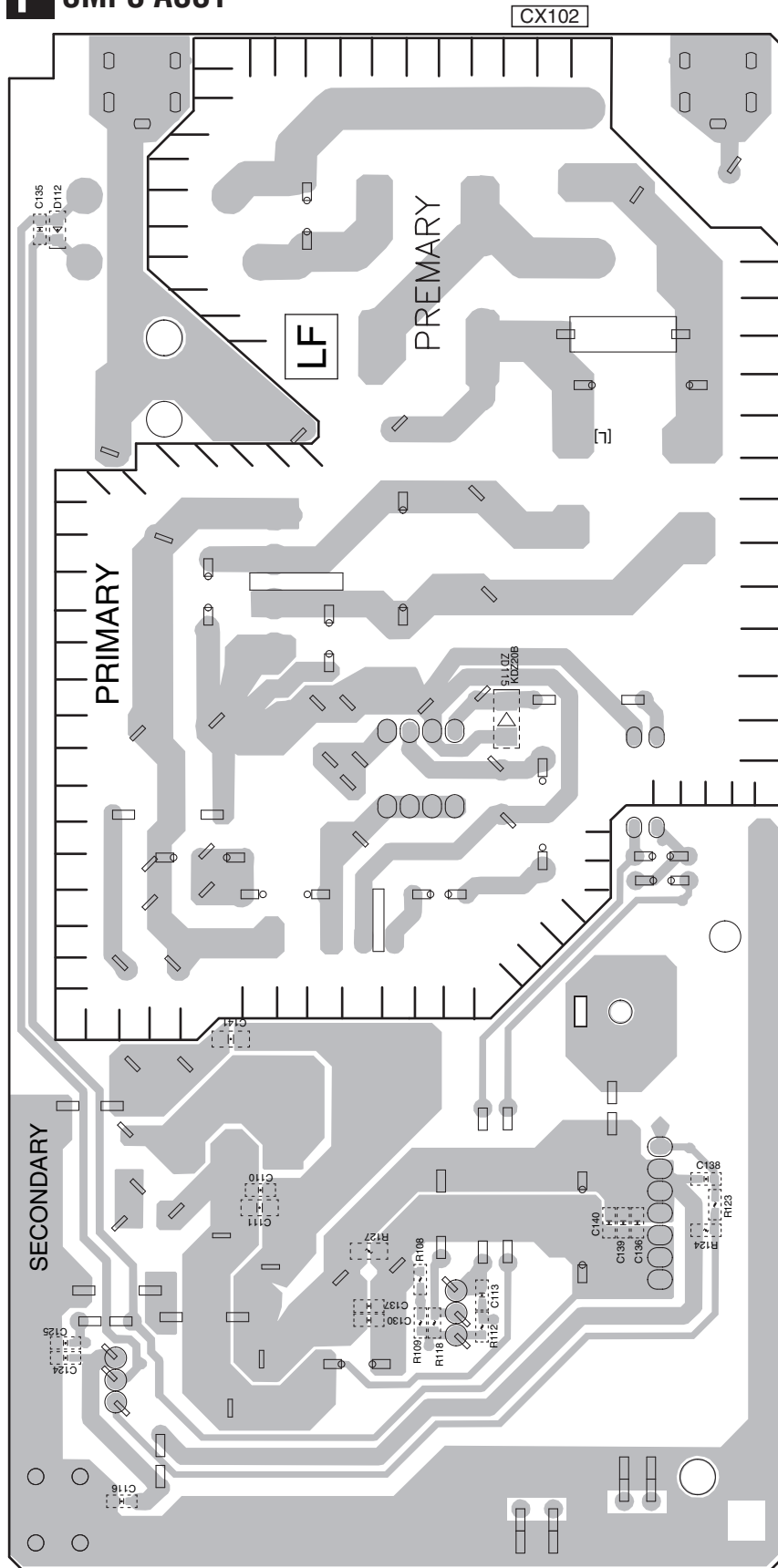
C

D

E

F

**P** SMPS ASSY



# 12. PCB PARTS LIST

NOTES: ● Parts marked by “NSP” are generally unavailable because they are not in our Master Spare Parts List.

● The  $\Delta$  mark found on some component parts indicates the importance of the safety factor of the part. Therefore, when replacing, be sure to use parts of identical designation.

● When ordering resistors, first convert resistance values into code form as shown in the following examples.

Ex.1 When there are 2 effective digits (any digit apart from 0), such as 560 ohm and 47 k ohm (tolerance is shown by J = 5%, and K = 10%).

$560 \Omega \rightarrow 56 \times 10^1 \rightarrow 561 \dots\dots\dots RD1/APU \begin{matrix} \boxed{5} & \boxed{6} & \boxed{7} & J \end{matrix}$   
 $47 \text{ k}\Omega \rightarrow 47 \times 10^3 \rightarrow 473 \dots\dots\dots RD1/APU \begin{matrix} \boxed{4} & \boxed{7} & \boxed{3} & J \end{matrix}$   
 $0.5 \Omega \rightarrow R50 \dots\dots\dots RN2H \begin{matrix} \boxed{R} & \boxed{5} & \boxed{0} & K \end{matrix}$   
 $1 \Omega \rightarrow 1R0 \dots\dots\dots RSIP \begin{matrix} \boxed{1} & \boxed{R} & \boxed{0} & K \end{matrix}$

Ex.2 When there are 3 effective digits (such as in high precision metal film resistors).

$5.62 \text{ k}\Omega \rightarrow 562 \times 10^1 \rightarrow 5621 \dots\dots\dots RN1/4PC \begin{matrix} \boxed{5} & \boxed{6} & \boxed{2} & \boxed{1} & F \end{matrix}$

### ● SCHEMATIC DIAGRAM and PCB CONNECTION DIAGRAM → ● PCB PARTS LIST

BKT	→ none	BEAD	→ L	RLY	→ RY	SW	→ S
CLAMP	→ none	F	→ FU	RMC	→ U	VEC	→ S9***
W	→ none	FLT	→ V	RES	→ X	GND	→ KN
LUG	→ none	JACK	→ JA	XTAL	→ X9***		
P	→ none	JACK	→ JA9***	BD	→ L7***		
PACK	→ 9***	JK	→ JA	LED	→ D8***		
CP	→ CN	PT	→ T	Z	→ D9***		
CP	→ CN9***	REG	→ IC	ZD	→ D9***		
CX	→ CN9***	REG	→ IC9***	DZ	→ D9***		
FPC	→ CN9***						

## LIST OF ASSEMBLIES

Mark	Symbol and Description	VSX-1124-K /CUXESM	VSX-1129-K /CUXE	VSX-80 /CUXE	VSA-1124 /JXE
NSP	1..PCB TTL ASSY MAIN	7025HK1307010	7025HK1307020	7025HK1307030	7025HK1307040
	2..MAIN ASSY (PCB SUB ASSY MAIN)	7028074711030	7028074711030	7028074711010	7028074711040
	2..BRIDG ASSY (PCB SUB ASSY BRIDG)	7028074712010	7028074712010	7028074712010	7028074712030
	2..GUI-A ASSY (PCB SUB ASSY GUI-A)	7028074713010	7028074713010	7028074713010	7028074713010
	2..GUI-R ASSY (PCB SUB ASSY GUI-R)	7028074714010	7028074714010	7028074714010	7028074714010
	2..GUI-L1 Assy (PCB SUB ASSY GUI-L1)	7028074715010	7028074715010	7028074715010	7028074715010
	2..BT-CNT ASSY (PCB SUB ASSY BT-CNT)	7028074716010	7028074716010	7028074716010	7028074716010
	2..TEMP ASSY (PCB SUB ASSY TEMP)	7028074717010	7028074717010	7028074717010	7028074717020
NSP	1..PCB TTL ASSY DMAIN	7025HK1307012	7025HK1307022	7025HK1307032	7025HK1307042
	2..DMAIN ASSY (PCB SUB ASSY DMAIN)	7028074771010	7028074771010	7028074771010	7028074771030
NSP	1..PCB TTL ASSY FRONT	7025HK1307011	7025HK1307021	7025HK1307031	7025HK1307041
	2..FRONT ASSY (PCB SUB ASSY FRONT)	7028074721030	7028074721030	7028074721010	7028074721060
	2..HPMIC ASSY (PCB SUB ASSY HPMIC)	7028074722010	7028074722010	7028074722010	7028074722020
	2..INSEL ASSY (PCB SUB ASSY INSEL)	7028074723020	7028074723020	7028074723010	7028074723020
	2..OPTCO ASSY (PCB SUB ASSY OPTCO)	7028074724010	7028074724010	7028074724010	7028074724020
NSP	1..PCB TTL ASSY CPU	7025HK1307013	7025HK1307023	7025HK1307033	7025HK1307043
	2..CPU ASSY (PCB SUB ASSY CPU)	7028074731030	7028074731040	7028074731010	7028074731050
	2..VIDEO ASSY (PCB SUB ASSY VIDEO)	7028074732030	7028074732030	7028074732010	7028074732020
NSP	1..PCB TTL ASSY AUDIO	7025HK1307015	7025HK1307025	7025HK1307035	7025HK1307045
	2..AUDIO ASSY (PCB SUB ASSY AUDIO)	7028074741010	7028074741010	7028074741010	7028074741030
NSP	1..PCB TTL ASSY AMP7	7025HK1307014	7025HK1307024	7025HK1307034	7025HK1307044
	2..AMP7 ASSY (PCB SUB ASSY AMP7)	7028074751010	7028074751010	7028074751010	7028074751040
NSP	1..PCB TTL ASSY SMPS	7025HK1307016	7025HK1307026	7025HK1307036	7025HK1307046
$\Delta$	2..SMPS ASSY (PCB SUB ASSY SMPS)	702807336108A	702807336108A	702807336106A	702807336109A
NSP	1..PCB TTL ASSY FHDMI	7025HK1307017	7025HK1307027	7025HK1307037	7025HK1307047
	2..FHDMI ASSY (PCB SUB ASSY FHDMI)	7028074581040	7028074581040	7028074581040	7028074581080
NSP	1..PCB TTL ASSY BT	7025HK1307018	7025HK1307028	7025HK1307038	7025HK1307048
	2..BT ASSY (PCB SUB ASSY BT)	70280732110L0	70280732110L0	70280732110L0	70280732110L0



## CONTRAST OF PCB ASSEMBLIES

### A MAIN ASSY

7028074711030, 7028074711010 and 7028074711040 are constructed the same with the exception of some components, including the following:

Mark	Symbol and Description	7028074711030	7028074711010	7028074711040
⚠	IC5 Liner regulator IC	Not used	J126781200040-IL	Not used
	Tuner, FM/AM	E903004100781S	E903004100781S	Not used

Note: This list is not complete. Only components that are available as service part are listed!

### B TEMP ASSY

7028074717010 and 7028074717020 are different and are NOT COMPATIBLE! Some components on these Assy's are different. Since these different components are not available as service part, they are not listed.

### C DMAIN ASSY

7028074771010 and 7028074771030 are constructed the same with the exception of some components, including the following:

Mark	Symbol and Description	7028074771010	7028074771030
⚠	IC9405 Regulator IC	NJM2819ADL3-05	Not used

Note: This list is not complete. Only components that are available as service part are listed!

### D OPTCO ASSY

7028074724010 and 7028074724020 are different and are NOT COMPATIBLE! Some components on these Assy's are different. Since these different components are not available as service part, they are not listed.

### E BRIDG ASSY

7028074712010 and 7028074712030 are different and are NOT COMPATIBLE! Some components on these Assy's are different. Since these different components are not available as service part, they are not listed.

### F VIDEO ASSY

7028074732030, 7028074732020 and 7028074732010 are constructed the same with the exception of some components, including the following:

Mark	Symbol and Description	7028074732030	7028074732020	7028074732010
	JA1002 TER, RCA 6pin	Not used	Not used	G603610A0032Y-IL

Note: This list is not complete. Only components that are available as service part are listed!

### I AUDIO ASSY

7028074741010 and 7028074741030 are different and are NOT COMPATIBLE! Some components on these Assy's are different. Since these different components are not available as service part, they are not listed.

### J CPU ASSY

7028074731030, 7028074731040, 7028074731010 and 7028074731050 are constructed the same with the exception of some components, including the following:

Mark	Symbol and Description	7028074731030	7028074731040	7028074731010	7028074731050
⚠	IC301 IC, linear-regulator	Not used	Not used	J046323200020-IL	Not used
	Q302 Transistor	Not used	Not used	J5000916Y0050-IL	Not used
	JA302 Jack, D3.5	Not used	Not used	G401PJ3080100-IL	Not used
	JA303 CN. wafer Interface	Not used	Not used	L103090090040-IL	Not used

Note: This list is not complete. Only components that are available as service part are listed!

### K AMP7 ASSY

7028074751010 and 7028074751040 are different and are NOT COMPATIBLE! Some components on these Assy's are different. Since these different components are not available as service part, they are not listed.

## L FHDMI ASSY

7028074581040 and 7028074581080 are constructed the same with the exception of some components, including the following:

Mark	Symbol and Description	7028074581040	7028074581080
⚠	IC2021 Regulator IC	NJM2819ADL3-515H	Not used

Note: This list is not complete. Only components that are available as service part are listed!

## M INSEL ASSY

7028074723020 and 7028074723010 are constructed the same with the exception of some components, including the following:

Mark	Symbol and Description	7028074723020	7028074723010
	D3029 LED, round	Not used	K500036000160-IL
	S3401 Switch	G180501000010-IL	Not used
	S3402 Switch	Not used	G180501000010-IL

Note: This list is not complete. Only components that are available as service part are listed!

## N FRONT ASSY

7028074721030, 7028074721010 and 7028074721060 are constructed the same with the exception of some components, including the following:

Mark	Symbol and Description	7028074721030	7028074721010	7028074721060
	D3007, D3009, D3011, D3013 LED, round	K500052009011-IL	K500036000160-IL	K500052009011-IL
⚠	FU3041, FU3042 Fuse	Not used	Not used	G658102121030S
	R67 R, metal Film 100ppm	Not used	Not used	C060047063050-IL
⚠	R3041, R3042 R, metal Film 100ppm	C0603R3065050S	C0603R3065050S	Not used

Note: This list is not complete. Only components that are available as service part are listed!

## O HPMIC ASSY

7028074722010 and 7028074722020 are different and are NOT COMPATIBLE! Some components on these Assy's are different. Since these different components are not available as service part, they are not listed.

## P SMPS ASSY

702807336108A, 702807336106A and 702807336109A are constructed the same with the exception of some components, including the following:

Mark	Symbol and Description	702807336108A	702807336106A	702807336109A
	CN9100 CN.wafer 7.92mm	L108396030010-IL	Not used	Not used

Note: This list is not complete. Only components that are available as service part are listed!

Mark	No.	Description	Part No.	Mark	No.	Description	Part No.
------	-----	-------------	----------	------	-----	-------------	----------

## A MAIN ASSY

### SEMICONDUCTORS

⚠	IC 1	J126781200040-IL
⚠	IC 2	J126791200060-IL
⚠	IC 3	J126780500110-IL
	Q 14,15,20,21	J522305200050-IL
	Q 16	J520015301210-IL
⚠	D 7	K047100600220-IL
	D 8,17,19	K005041480230-IL
⚠	D 10-13	K000400700220-IL
⚠	D 4912	K047604000020-IL
	D 9002	K06004R744522-IL

### MISCELLANEOUS

	50 TUNER,FM/AM	E903004100781S
	JA 1,2 TER,BOARD SCREW 8P	G614108V1010M-IL
	JA 3 TER,BOARD SCREW 2P	G611201A0200Y-IL
	RY 2-6 RELAY	G680060103010-IL
	RY 10 RELAY	G680240202030-IL

	CN 9007,9010 CN,WAFER	L109012511340S
	CN 9012 CN,WAFER	L109012511140S
	CN 9014 CN,WAFER	L109012510940S
	CN 9019 CN.WAFER 2.0MM	L101911501310S
	CN 9020 CN,WAFER	L109012511540S
	CN 9021 CN.WAFER	L109012510740S
	CN 9024 CN.WAFER 2.0MM	L101911501510S
⚠	FU 33,34 FUSE,MICRO (T4A 250 V)	G658402250050-IL

### RESISTORS

	R 5,7,9,11	C060010065050-IL
	R 6,8,10,12	C060010066050-IL
	R 13,15,17	C060010065050-IL
	R 14,16,18	C060010066050-IL
	R 41,42	C060R22065050-IL
	R 81,82	C060033166050-IL

### CAPACITORS

	C 55,58	D040103089230-IL
--	---------	------------------

Mark	No.	Description	Part No.
	C	76	D040103083000-IL
	C	84,85	D040472084020-IL

## **B** TEMP ASSY SEMICONDUCTORS

TH 83,84

F340160801030S

## **C** DMAIN ASSY SEMICONDUCTORS

IC 101  
IC 102  
IC 103  
IC 104,604,1808  
IC 105,614,616,1521


UPD61110GM-100S1  
J001981266010S  
8952VS9240010  
TC7WHU04FK  
TC7SH08FUS1

IC 603  
IC 608  
IC 610,1509,1806  
IC 611  
IC 612,1502

PE7008A  
TC74VHCT541AFK  
TC74VHC126FK  
TC74VHCT126AFK  
TC74VHCT08AFKS1

IC 613,1505,1601,1804  
IC 901,910  
IC 902,911  
IC 909  
IC 1501,1516,1603




TC74VHC08FK  
TC74LCX541FK  
TC7SZ125FUS1  
J044718100010-IL  
TC74VHC157FK

IC 1504,1511  
IC 1506  
 IC 1605,1615  
IC 1606-1608,9101  
IC 1802,1818






ICS511MLF  
AK4118AEQ8  
AAT4610BIGV-1  
TC74VCX541FK  
AK4388ET

IC 1812,9006,9208  
IC 9001  
IC 9003,9207  
IC 9004  
IC 9102






TC7SH08FUS1  
J001986466010S  
TC74VHC08FK  
8952VS9240020  
BU4094BCFV

IC 9201,9209  
 IC 9202  
IC 9205  
 IC 9401,9510  
 IC 9402

J001030563160S  
BD2226G  
8952VS9240040  
MM3529A33P  
S-1172B10-U5

 IC 9403  
 IC 9404,9505  
 IC 9405  
 IC 9406  
 IC 9407,9502,9523

MM3542BF  
MM3529A18P  
NJM2819ADL3-05  
MM3411A50N  
S-1172B12-E6

 IC 9408  
 IC 9508  
 IC 9511,9519  
 IC 9515  
 IC 9518

MM3411A33N  
MM3529A25P  
MM3529A50P  
S-1172B15-E6  
S-1172B13-E6


IC 9603  
IC 9701  
IC 9702  
IC 9703-9706

J046820650010S  
AK5358AET  
ES9006S  
J121456500090S

## **MISCELLANEOUS**

JA 1601,1603,9601-9606 CN.WAFER  
JA 9201 CN,PLUG CONTACT  
JA 9202 JACK,MODULAR  
JA 9620 CN.WAFER

L109100195550-IL  
G480400201010-IL  
G4060RJ450230-IL  
L109100195550-IL

Mark	No.	Description	Part No.
	P	601 SW,POLY	G300003500010-IL

## **CAPACITORS**

C 1509

D040222081000-IL

## **D** OPTCO ASSY SEMICONDUCTORS

IC 2009

J040740400290-IL

## **MISCELLANEOUS**

JA 1305 MODULE  
JA 1306 TER,RCA 1PIN  
CN 2009 CN.WAFER

E100802000250-IL  
G600107A0000Y-IL  
L101911500610S

## **E** BRIDG ASSY SEMICONDUCTORS

IC 2802,2803

J121458001010-IL

## **MISCELLANEOUS**

CN 2107 CN,WAFER  
CN 2111 CN,WAFER  
CN 2114,2203 CN,WAFER

L109012512340S  
L109012512740S  
L109012512540S

## **F** VIDEO ASSY SEMICONDUCTORS

IC 1001

J171132800010-IL

## **MISCELLANEOUS**

JA 1001 TER,RCA 6PIN

G603610A0051Y-IL

## **G** BT ASSY SEMICONDUCTORS

 IC 600

BD2224G

## **MISCELLANEOUS**

CN 601 CONNECTOR

CKS5712

## **H** BT-CNT ASSY MISCELLANEOUS

CN 603 CN,WAFER

L109012511140S

## **I** AUDIO ASSY SEMICONDUCTORS

IC 2501  
IC 2502  
IC 2503  
IC 2702,2704  
Q 2401

BD3473KS2  
J040406600010-IL  
J084381200010S  
J121458001010-IL  
J5023198Y0000-IL

Q 2402

J5001266Y0050-IL

## **MISCELLANEOUS**

JA 2101,2102 TER,RCA 4PIN  
JA 2103 TER,RCA 4PIN

G602421E0002Y-IL  
G602421E0046Y-IL

**Mark No. Description Part No.**

**J CPU ASSY**

**SEMICONDUCTORS**

IC 300	8952VS9240030
IC 302	J126077004210-IL
IC 303	NJM2888F05
IC 304	J126077004720S
IC 305	J126288833010S

**MISCELLANEOUS**

JA 300,301 JACK,D3.5	G401PJ3080100-IL
CN302 CN,WAFER	L109012511540S
CN303 CN,WAFER	L109012512340S

**CAPACITORS**

C 352,353	D040102081070-IL
-----------	------------------

**K AMP7 ASSY**

**SEMICONDUCTORS**

Q 401,407,408,413	J5000992FA050-IL
Q 412,424,436,448	J5023206Y0050-IL
Q 417	J5001024Y0050-IL
Q 419,420,425,431	J5000992FA050-IL
Q 432,437,443,444	J5000992FA050-IL

Q 449,455,456,461	J5000992FA050-IL
Q 460,472,484	J5023206Y0050-IL
Q 467,468,473,479	J5000992FA050-IL
Q 480	J5000992FA050-IL
D 9401,9404,9407,9410	K06005R134522-IL

D 9402,9403,9405,9406	K06004R344522-IL
D 9408,9409,9411,9412	K06004R344522-IL
D 9413,9416,9419	K06005R134522-IL
D 9414,9415,9417,9418	K06004R344522-IL
D 9420,9421	K06004R344522-IL

**MISCELLANEOUS**

VR 401-407 VR,SEMI CARBON MOLD	C541102315000-IL
--------------------------------	------------------

**RESISTORS**

△ R 406,450,494,537	F320471001050-IL
△ R 415,439,458,483	C060010165060-IL
△ R 424,425,430,431	N113136647820-IL
R 443,487,530,573	C060047065060-IL
△ R 467,468,474,475	N113136647820-IL

R 493	C060033065060-IL
△ R 502,526,545,569	C060010165060-IL
△ R 511,512,517,518	N113136647820-IL
R 551	C060010165060-IL
△ R 554,555,561,562	N113136647820-IL

△ R 580,623,666	F320471001050-IL
△ R 588,612,631,655	C060010165060-IL
△ R 597,598,603,604	N113136647820-IL
R 616,659,702	C060047065060-IL
△ R 640,641,646,647	N113136647820-IL

△ R 674,698	C060010165060-IL
△ R 683,684,689,690	N113136647820-IL

**L FHDMI ASSY**

**SEMICONDUCTORS**

△ IC 808	J046206501010S
△ IC 2021	NJM2819ADL3-515H

**Mark No. Description Part No.**

IC 8202	PCA9517DGK
---------	------------

**MISCELLANEOUS**

JA 600 CN,PLUG CONTACT	G480400201010-IL
JA 8082 CN,WAFER	L109100190250S

**M INSEL ASSY**

**MISCELLANEOUS**

S 3401 SWITCH	G180501000010-IL
S 3501 SW,ENCODER	G121121200230-IL

**N FRONT ASSY**

**SEMICONDUCTORS**

IC 3001	PE5615A
IC 3002	NJM2888F05
Q 17	J5000916Y0050-IL
Q 3011	J5001266G0050-IL
△ D 23,24	K000400700220-IL

D 3007,3009,3011,3013	K500052009011-IL
D 9001	K06006R844522-IL

**MISCELLANEOUS**

V 3001 DISPLAY,FLT	K530161560010S
S 3001-3015 SWITCH	G180501000010-IL
S 3024 SW,ENCODER	G121122400230-IL
X 3001 RESONATOR,CERAMIC	E830500000020-IL
1 HOLDER	4320211336000S

2 HOLDER	4320211336100S
U 3001 MODULE,REMOCON	E940349003810-IL

**RESISTORS**

R 66	N113135647920-IL
R 3021,3022	C0602R2065050S
△ R 3041,3042	C0603R3065050S

**O HPMIC ASSY**

**SEMICONDUCTORS**

IC 3652	J121458001010-IL
---------	------------------

**MISCELLANEOUS**

JA 701 JACK,D6.5	G402PJ612AG1Y-IL
JA 3655 JACK,D3.5	G40132340000Y-IL

**P SMPS ASSY**

**SEMICONDUCTORS**

△ IC 100	K614123000010-IL
△ IC 102	J122201530080-IL
△ IC 116	J126243118010-IL
Q 102	J5023198Y0000-IL
△ D 41	K047200600010-IL

△ D 103	K120300600010-IL
D 105	K050400700010-IL
D 108	K050010010010-IL
D 9114	K06006R244522-IL
D 9115	K06620R04P410-IL

**MISCELLANEOUS**

△ L 100 COIL,LINE FILTER	D320201405510-IL
△ RY 101 RELAY	G680060103030-IL

<b>Mark</b>	<b>No.</b>	<b>Description</b>	<b>Part No.</b>
⚠	T 101	TRANS,SWITCHING	E060252505510-IL
⚠	CN 9100	CN.WAFER 7.92MM	L108396030010-IL
⚠	CN 9102	CN.WAFER 7.92MM	L108011430210-IL
	100,102	BRACKET	4010215796000-IL
	101	BRACKET	4010210196000-IL
⚠	FU 100	FUSE GLASS TUBE 20MM (3.15 A)	N751503151160-IL
⚠	FU 101	FUSE GLASS TUBE 20MM (T8AL/250 V)	N751508001160-IL

### **RESISTORS**

⚠	R 100	C060068564520-IL
	R 106	C060012466050S
	R 116	C060R68065050-IL
	R 120	C0604R7065050-IL

### **CAPACITORS**

⚠	C 100	D02110407H010-IL
	C 102	D04010108K000-IL
	C 103	D00810207Q010-IL
⚠	C 104,105	D00847127H010-IL
	C 106,107	D041562081001-IL
	C 112	D041330088050S
⚠	C 115,132	D00815248H010-IL
⚠	C 117,131,133	D008103589010-IL
	C 129	D041221082230-IL

A

B

C

D

E

F