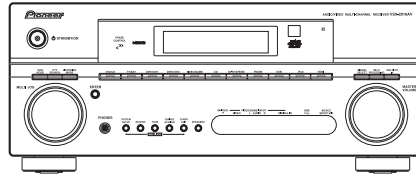


Service Manual



VSX-1016V-K

ORDER NO.
RRV3401

AUDIO/VIDEO MULTI-CHANNEL RECEIVER

VSX-1016V-K

VSX-1016V-S

VSX-1016TXV-K

VSX-80TXV

VSX-80TXV-S

THIS MANUAL IS APPLICABLE TO THE FOLLOWING MODEL(S) AND TYPE(S).

Model	Type	Power Requirement	Remarks
VSX-1016V-K	HYXJ5	AC 220 V to 230 V	
VSX-1016V-S	HYXJ5	AC 220 V to 230 V	
VSX-1016TXV-K	KUXJ	AC 120 V	
VSX-80TXV	KUXJCA	AC 120 V	
VSX-80TXV-S	KUXJCA	AC 120 V	



For details, refer to "Important Check Points for good servicing".

SAFETY INFORMATION



This service manual is intended for qualified service technicians ; it is not meant for the casual do-it-yourselfer. Qualified technicians have the necessary test equipment and tools, and have been trained to properly and safely repair complex products such as those covered by this manual.

Improperly performed repairs can adversely affect the safety and reliability of the product and may void the warranty. If you are not qualified to perform the repair of this product properly and safely, you should not risk trying to do so and refer the repair to a qualified service technician.

WARNING

This product contains lead in solder and certain electrical parts contain chemicals which are known to the state of California to cause cancer, birth defects or other reproductive harm.

Health & Safety Code Section 25249.6 - Proposition 65

NOTICE

(FOR CANADIAN MODEL ONLY)

Fuse symbols (fast operating fuse) and/or (slow operating fuse) on PCB indicate that replacement parts must be of identical designation.

REMARQUE

(POUR MODÈLE CANADIEN SEULEMENT)

Les symboles de fusible (fusible de type rapide) et/ou (fusible de type lent) sur CCI indiquent que les pièces de remplacement doivent avoir la même désignation.

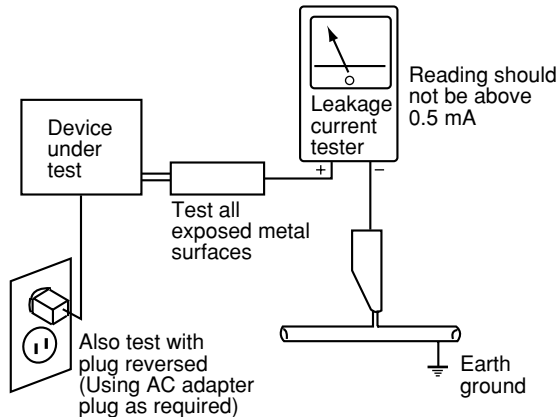
(FOR USA MODEL ONLY)

1. SAFETY PRECAUTIONS

The following check should be performed for the continued protection of the customer and service technician.

LEAKAGE CURRENT CHECK

Measure leakage current to a known earth ground (water pipe, conduit, etc.) by connecting a leakage current tester such as Simpson Model 229-2 or equivalent between the earth ground and all exposed metal parts of the appliance (input/output terminals, screwheads, metal overlays, control shaft, etc.). Plug the AC line cord of the appliance directly into a 120V AC 60 Hz outlet and turn the AC power switch on. Any current measured must not exceed 0.5 mA.



AC Leakage Test

ANY MEASUREMENTS NOT WITHIN THE LIMITS OUTLINED ABOVE ARE INDICATIVE OF A POTENTIAL SHOCK HAZARD AND MUST BE CORRECTED BEFORE RETURNING THE APPLIANCE TO THE CUSTOMER.

2. PRODUCT SAFETY NOTICE

Many electrical and mechanical parts in the appliance have special safety related characteristics. These are often not evident from visual inspection nor the protection afforded by them necessarily can be obtained by using replacement components rated for voltage, wattage, etc. Replacement parts which have these special safety characteristics are identified in this Service Manual.

Electrical components having such features are identified by marking with a on the schematics and on the parts list in this Service Manual.

The use of a substitute replacement component which does not have the same safety characteristics as the PIONEER recommended replacement one, shown in the parts list in this Service Manual, may create shock, fire, or other hazards.

Product Safety is continuously under review and new instructions are issued from time to time. For the latest information, always consult the current PIONEER Service Manual. A subscription to, or additional copies of, PIONEER Service Manual may be obtained at a nominal charge from PIONEER.

[Important Check Points for Good Servicing]

In this manual, procedures that must be performed during repairs are marked with the below symbol. Please be sure to confirm and follow these procedures.

1. Product safety



Please conform to product regulations (such as safety and radiation regulations), and maintain a safe servicing environment by following the safety instructions described in this manual.

- ① Use specified parts for repair.

Use genuine parts. Be sure to use important parts for safety.

- ② Do not perform modifications without proper instructions.

Please follow the specified safety methods when modification (addition/change of parts) is required due to interferences such as radio/TV interference and foreign noise.

- ③ Make sure the soldering of repaired locations is properly performed.

When you solder while repairing, please be sure that there are no cold solder and other debris. Soldering should be finished with the proper quantity. (Refer to the example)

- ④ Make sure the screws are tightly fastened.

Please be sure that all screws are fastened, and that there are no loose screws.

- ⑤ Make sure each connectors are correctly inserted.

Please be sure that all connectors are inserted, and that there are no imperfect insertion.

- ⑥ Make sure the wiring cables are set to their original state.

Please replace the wiring and cables to the original state after repairs. In addition, be sure that there are no pinched wires, etc.

- ⑦ Make sure screws and soldering scraps do not remain inside the product.

Please check that neither solder debris nor screws remain inside the product.

- ⑧ There should be no semi-broken wires, scratches, melting, etc. on the coating of the power cord.

Damaged power cords may lead to fire accidents, so please be sure that there are no damages. If you find a damaged power cord, please exchange it with a suitable one.

- ⑨ There should be no spark traces or similar marks on the power plug.

When spark traces or similar marks are found on the power supply plug, please check the connection and advise on secure connections and suitable usage. Please exchange the power cord if necessary.

- ⑩ Safe environment should be secured during servicing.

When you perform repairs, please pay attention to static electricity, furniture, household articles, etc. in order to prevent injuries. Please pay attention to your surroundings and repair safely.

2. Adjustments



To keep the original performance of the products, optimum adjustments and confirmation of characteristics within specification. Adjustments should be performed in accordance with the procedures/instructions described in this manual.

3. Lubricants, Glues, and Replacement parts



Use grease and adhesives that are equal to the specified substance. Make sure the proper amount is applied.

4. Cleaning



For parts that require cleaning, such as optical pickups, tape deck heads, lenses and mirrors used in projection monitors, proper cleaning should be performed to restore their performances.

5. Shipping mode and Shipping screws



To protect products from damages or failures during transit, the shipping mode should be set or the shipping screws should be installed before shipment. Please be sure to follow this method especially if it is specified in this manual.

CONTENTS

- 1. SPECIFICATIONS 6
- 2. EXPLODED VIEWS AND PARTS LIST 10
 - 2.1 PACKING SECTION 10
 - 2.2 EXTERIOR SECTION..... 12
 - 2.3 CHASSIS SECTION 14
 - 2.4 REAR SECTION 16
 - 2.5 POWER AMP SECTION..... 20
 - 2.6 FRONT PANEL SECTION 22
- 3. BLOCK DIAGRAM AND SCHEMATIC DIAGRAM 24
 - 3.1 BLOCK DIAGRAM for AUDIO BLOCK..... 24
 - 3.2 BLOCK DIAGRAM for VIDEO BLOCK..... 26
 - 3.3 OVERALL WIRING DIAGRAM..... 28
 - 3.4 AUDIO IN ASSY (1/2) 30
 - 3.5 AUDIO IN (2/2) and 12V-REG ASSYS 32
 - 3.6 MAIN CONTROL ASSY (1/2)..... 34
 - 3.7 MAIN CONTROL (2/2), GUARD-C, F and R ASSYS..... 36
 - 3.8 DSP ASSY (1/2)(for VSX-1016V)..... 38
 - 3.9 DSP ASSY (2/2)(for VSX-1016V)..... 40
 - 3.10 DSP ASSY (1/2)(for VSX-1016TXV and VSX-80TXV)..... 42
 - 3.11 DSP ASSY (2/2)(for VSX-1016TXV and VSX-80TXV)..... 44
 - 3.12 COMPOSITE ASSY 46
 - 3.13 S-VIDEO and BRIDGE 2 ASSYS 48
 - 3.14 COMPONENT ASSY 50
 - 3.15 DISPLAY, VOLUME and MULTI JOG ASSYS 52
 - 3.16 HEADPHONE, FRONT-IN, PRIMARY and TRANS 1 ASSYS 54
 - 3.17 TRANS 2-1, DIODE 1, VH TR and PS/SP ASSYS 56
 - 3.18 TRANS 2-2, TRANS SIDE, LOCAL P-SUPPLY, DC/DC, IR I/O and VIDEO CONNECT ASSYS 58
 - 3.19 POWER AMP-L, POSI 1-L and POSI 2-L ASSYS 60
 - 3.20 POWER AMP-R and POSI 1-R ASSYS..... 62
 - 3.21 BRIDGE 1-L, POWER AMP IN and POWER PROTECT ASSYS..... 64
 - 3.22 HDMI & DVC ASSY..... 66
 - 3.23 USB ASSY (VSX-1016V ONLY)..... 68
- 4. PCB CONNECTION DIAGRAM 70
 - 4.1 AUDIO IN ASSY..... 72
 - 4.2 12V-REG ASSY 76
 - 4.3 BRIDGE 2 ASSY..... 77
 - 4.4 MAIN CONTROL ASSY 78
 - 4.5 DSP ASSY (for VSX-1016V)..... 82
 - 4.6 DSP ASSY (for VSX-1016TXV and VSX-80TXV) 86
 - 4.7 COMPOSITE ASSY..... 90
 - 4.8 S-VIDEO ASSY..... 94
 - 4.9 COMPONENT ASSY 98
 - 4.10 DISPLAY ASSY..... 102
 - 4.11 VOLUME ASSY..... 106
 - 4.12 HEADPHONE ASSY 107
 - 4.13 MULTIJOG ASSY..... 108
 - 4.14 FRONT-IN ASSY 112
 - 4.15 PRIMARY ASSY 116
 - 4.16 TRANS 1 ASSY 120
 - 4.17 TRANS 2-1 ASSY 121
 - 4.18 DIODE 1 and VH TR ASSYS 122
 - 4.19 BRIDGE 1-L ASSY 123
 - 4.20 PS/SP ASSY 124
 - 4.21 TRANS 2-2 ASSY 128
 - 4.22 POSI 1-L, POSI 2-L and POSI 1-R ASSYS 129
 - 4.23 TRANS SIDE ASSY 130
 - 4.24 LOCAL P-SUPPLY ASSY 132
 - 4.25 DC/DC ASSY 134
 - 4.26 IR I/O ASSY 136
 - 4.27 VIDEO CONNECT ASSY..... 138
 - 4.28 POWER AMP-L ASSY 140
 - 4.29 POWER AMP-R ASSY 144
 - 4.30 POWER AMP IN ASSY..... 148
 - 4.31 POWER PROTECT ASSY 150
 - 4.32 HDMI & DVC ASSY..... 152

4.33 USB ASSY (VSX-1016V ONLY)	156
5. PCB PARTS LIST	158
6. ADJUSTMENT	192
7. GENERAL INFORMATION	193
7.1 DIAGNOSIS	193
7.1.1 TEST MODE	193
7.1.2 PROTECTION CIRCUIT SPECIFICATION	196
7.1.3 DSP TROUBLESHOOTING	198
7.1.4 HDMI TROUBLESHOOTING	209
7.1.5 USB MODULE	217
7.1.6 HOW TO UPDATE FIRMWARE	222
7.1.7 DISASSEMBLY	223
7.2 PARTS	231
7.2.1 IC	231
8. PANEL FACILITIES	240

A
B
C
D
E
F

1. SPECIFICATIONS

■ For VSX-1016V-K and VSX-1016V-S

Specifications

Continuous Power Output – Stereo	
Front	150 W + 150 W (DIN 1 kHz, THD 1 %, 6 Ω)
Continuous Power Output – Multichannel (DIN 1 kHz, THD 1 %, 6 Ω)	
Front	150 W + 150 W
Center	150 W
Surround	150 W + 150 W
Surround back	150 W + 150 W

Rated Power Output – Stereo (20 Hz to 20 kHz, 0.09 %, 8 Ω)	140 W+140 W
-------------------------------------------------------------------------	-------------

- The above specifications are applicable when the power supply is 230V.

Audio Section

Input (Sensitivity/Impedance)	
LINE	335 mV/47 kΩ
Frequency Response (LINE)	5 Hz to 100 000 Hz ±0.5 dB
Output (Level/Impedance)	
REC	335 mV/2.2 kΩ
Tone Control	
BASS	± 6 dB (100 Hz)
TREBLE	± 6 dB (10 kHz)
LOUDNESS	+4 dB / +2 dB (100Hz/10 kHz) (at volume position –40 dB)
Signal-to-Noise Ratio (IHF, short circuited, A network)	
LINE	103 dB
Signal-to-Noise Ratio [DIN (continuous rated power output/50mW)]	
LINE	92 dB / 65 dB

Composite Video / S-Video Section

Input (Sensitivity/Impedance)	1 Vp-p/75Ω
Output (Level/Impedance)	1 Vp-p/75Ω
Signal-to-Noise Ratio	65 dB
Frequency Response	5 Hz to 10 MHz

Component Video Section

Input (Sensitivity/Impedance)	1 Vp-p/75Ω
Output (Level/Impedance)	1 Vp-p/75Ω
Signal-to-Noise Ratio	65 dB
Frequency Response	5 Hz to 100 MHz

FM Tuner Section

Frequency Range	87.5 MHz to 108 MHz
Usable Sensitivity Mono: 15.2 dBf, IHF (1.6 μV/75Ω)	
50 dB Quieting Sensitivity Mono: 20.2 dBf	
	Stereo: 41.2 dBf
Sensitivity (DIN) Mono: 1.1 μV (S/N 26 dB)	
	Stereo: 50 μV (S/N 46 dB)
Signal-to-Noise Ratio Mono: 76 dB (at 85 dBf)	
	Stereo: 72 dB (at 85 dBf)
Signal-to-Noise Ratio (DIN) Mono: 62 dB	
	Stereo: 58 dB
Distortion Stereo: 0.6% (1 kHz)	
Alternate Channel Selectivity	70 dB (400 kHz)

Stereo Separation	40 dB (1 kHz)
Frequency Response	30 Hz to 15 kHz ± 1dB
Antenna Input	75Ω unbalanced

AM Tuner Section

Frequency Range	531 kHz to 1602 kHz (9 kHz step)
Sensitivity (IHF, Loop antenna)	350 μV/m
Selectivity	30 dB
Signal-to-Noise Ratio	50 dB
Antenna	Loop antenna

Miscellaneous

Power Requirements.	AC 220 V to 230 V, 50 Hz / 60 Hz
Power Consumption	450 W
In standby	Less than 0.5 W
Dimensions	420 (W) mm x 173 (H) mm x 465 (D) mm
Weight (without package)	15.0 kg

Furnished Parts

Setup microphone (for Auto MCACC setup)	1
AA/LR6 dry cell batteries	2
Remote control unit	1
AM loop antenna	1
FM wire antenna	1
Warranty card	1
These operating instructions	

Note

- Specifications and the design are subject to possible modifications without notice, due to improvements.

■ For VSX-80TXV, VSX-80TXV-S and VSX-1016TXV-K

Amplifier section (VSX-80TX and VSX-80TXV-S)

Continuous average power output of 110 watts* per channel, min., at 8 ohms, from 20 Hz to 20 000 Hz with no more than 0.09 %** total harmonic distortion (front).

Continuous Power Output (20 Hz to 20 kHz, 8 Ω, 0.09 %)
 Front 110 W + 110 W
 Center 110 W
 Surround 110 W + 110 W
 Surround back 110 W + 110 W

Continuous Power Output (1 kHz, 6 Ω, 1.0 %)
 Front 150 W + 150 W
 Center 150 W
 Surround 150 W + 150 W
 Surround back 150 W + 150 W

Total harmonic distortion 0.09 %
 (20 Hz to 20 kHz, 110 W, 8 Ω)

* Measured pursuant to the Federal Trade Commission's Trade Regulation rule on Power Output Claims for Amplifiers

** Measured by Audio Spectrum Analyzer

Amplifier section (VSX-1016TXV-K)

Continuous average power output of 120 watts* per channel, min., at 8 ohms, from 20 Hz to 20 000 Hz with no more than 0.2 %** total harmonic distortion (front).

Continuous Power Output (20 Hz to 20 kHz, 8 Ω, 0.2 %)
 Front 120 W + 120 W
 Center 120 W
 Surround 120 W + 120 W
 Surround back 120 W + 120 W

Continuous Power Output (1 kHz, 6 Ω, 1.0 %)
 Front 150 W + 150 W
 Center 150 W
 Surround 150 W + 150 W
 Surround back 150 W + 150 W

Total harmonic distortion 0.2 %
 (20 Hz to 20 kHz, 120 W, 8 Ω)

* Measured pursuant to the Federal Trade Commission's Trade Regulation rule on Power Output Claims for Amplifiers

** Measured by Audio Spectrum Analyzer

Audio Section

Input (Sensitivity/Impedance)
 LINE 335 mV/47 kΩ
 Frequency Response (LINE) . . 5 Hz to 100 000 Hz ± 3 dB
 Output (Level/Impedance)
 REC 335 mV/2.2 kΩ
 Tone Control
 BASS ± 6 dB (100 Hz)
 TREBLE ± 6 dB (10 kHz)
 LOUDNESS +4 dB / +2 dB (100Hz/10 kHz)
 (at volume position -40 dB)
 Signal-to-Noise Ratio (IHF, short circuited, A network)
 LINE 103 dB
 Signal-to-Noise Ratio [EIA, at 1W (1 kHz)]
 LINE 83 dB

Composite Video / S-Video Section

Input (Sensitivity/Impedance) 1 Vp-p/75 Ω
 Output (Level/Impedance) 1 Vp-p/75 Ω
 Signal-to-Noise Ratio 65 dB
 Frequency Response 5 Hz to 10 MHz

Component Video Section

Input (Sensitivity/Impedance) 1 Vp-p/75 Ω
 Output (Level/Impedance) 1 Vp-p/75 Ω
 Signal-to-Noise Ratio 65 dB
 Frequency Response 5 Hz to 100 MHz

FM Tuner Section

Frequency Range 87.5 MHz to 108 MHz
 Usable Sensitivity Mono: 13.2 dBf, IHF (1.3 μ V/75 Ω)
 50 dB Quieting Sensitivity Mono: 20.2 dBf
 Stereo: 38.6 dBf
 Signal-to-Noise Ratio Mono: 73 dB (at 85 dBf)
 Stereo: 70 dB (at 85 dBf)
 Distortion Stereo: 0.5 % (1 kHz)
 Alternate Channel Selectivity 60 dB (400 kHz)
 Stereo Separation 40 dB (1 kHz)
 Frequency Response 30 Hz to 15 kHz ± 1 dB
 Antenna Input 75 Ω unbalanced

AM Tuner Section

Frequency Range 530 kHz to 1700 kHz
 Sensitivity (IHF, Loop antenna) 350 μ V/m
 Selectivity 25 dB
 Signal-to-Noise Ratio 50 dB
 Antenna Loop antenna

Miscellaneous

Power Requirements AC 120 V, 60 Hz
 Power Consumption 490 W, 650 VA
 In standby 0.5 W
 AC Outlet (switched) 100 W MAX.
 Dimensions 420 (W) mm x 173 (H) mm x 466 (D) mm
 (16 9/16 (W) in. x 6 13/16 (H) in. x 18 3/8 (D) in.)
 Weight (without package) 15.0 kg (33 lbs 1 oz)

Furnished Parts

Setup microphone (for Auto MCACC setup) 1
 AA/IEC R6P dry cell batteries 2
 Remote control unit 1
 AM loop antenna 1
 FM wire antenna 1
 Warranty card 1
 These operating instructions



Note

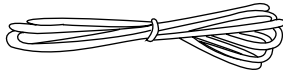
- Specifications and the design are subject to possible modifications without notice, due to improvements.

A

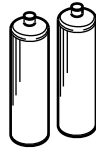
● Accessories



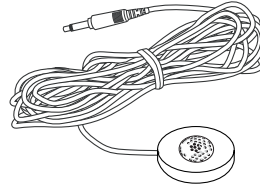
AM Loop Antenna
(ATB7013)



FM Wire Antenna
(ADH7030)

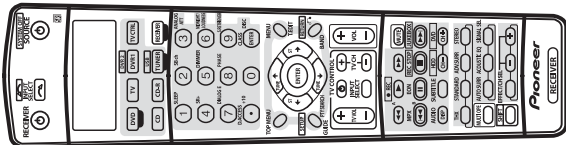


AA/LR6 Dry Cell Batteries
(VEM1021: VSX-1016V-K,S)
AA/IED R6P Dry Cell Batteries
(VEM1031: Other models)



Setup Microphone
(for Auto MCACC setup)
(APM7008)

B



Remote Control Unit
(AXD7436: VSX-1016V-K, S)
(AXD7435: VSX-1016TXV-K)
(AXD7434: VSX-80TXV, VSX-80TXV-S)

C

Windows Media® and the Windows logo are trademarks or registered trademarks of Microsoft Corporation in the United States and/or other countries.

The THX logo is a trademark of THX Ltd. which may be registered in some jurisdictions. All rights reserved.

Manufactured under license from Dolby Laboratories. "Dolby", "Pro Logic", "Surround EX", and the double-D symbol are trademarks of Dolby Laboratories.

"DTS", "DTS-ES", "Neo:6" and "DTS 96/24" are trademarks of Digital Theater Systems, Inc.

E

F

■

5

■

6

■

7

■

8

■

A

■

B

■

C

■

D

■

E

■

F

■

5

■

6

VSX-1016V-K

■

7

■

8

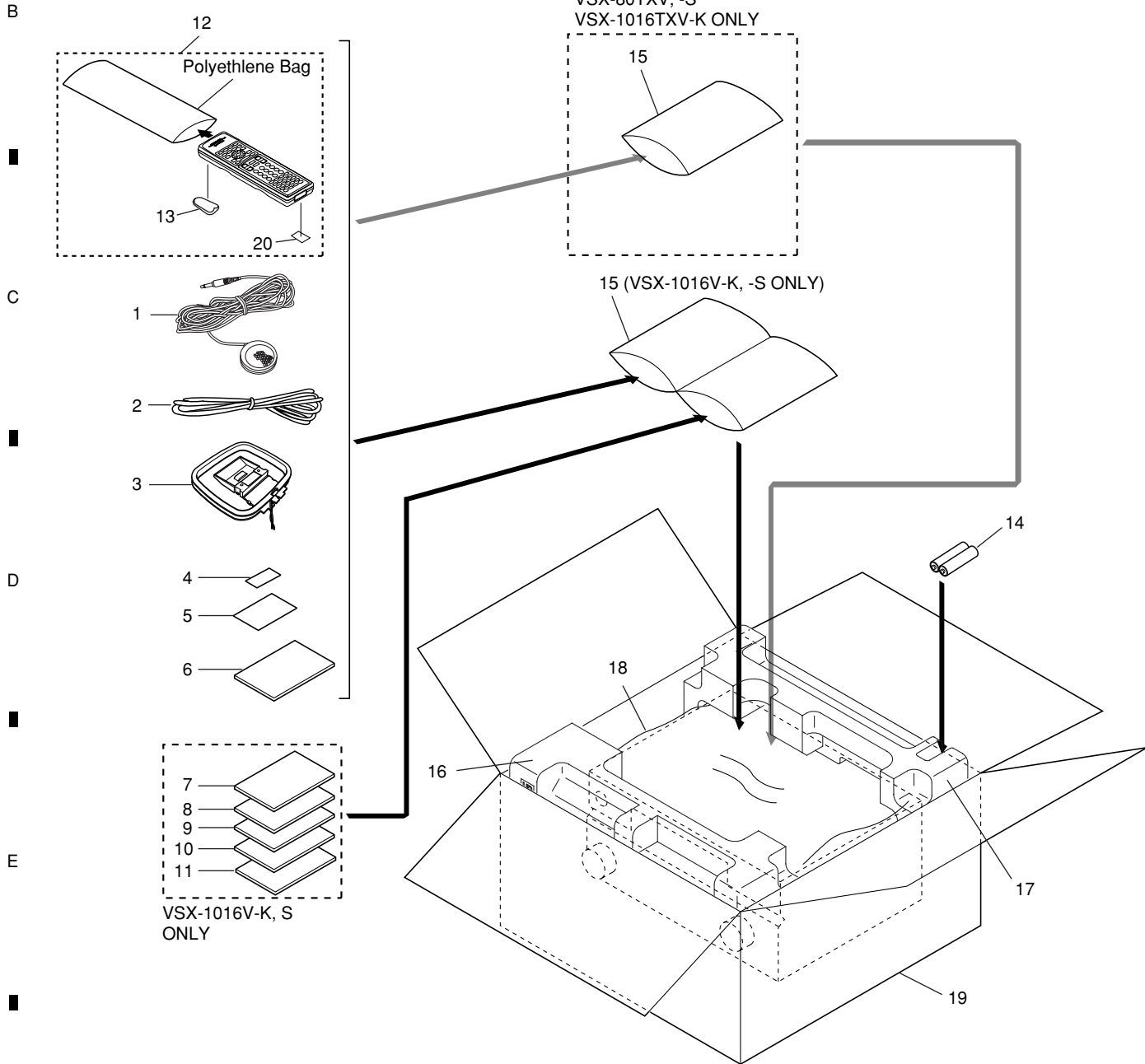
9

■

2. EXPLODED VIEWS AND PARTS LIST

- NOTES:**
- Parts marked by "NSP" are generally unavailable because they are not in our Master Spare Parts List.
 - The \triangle mark found on some component parts indicates the importance of the safety factor of the part. Therefore, when replacing, be sure to use parts of identical designation.
 - Screws adjacent to \blacktriangledown mark on product are used for disassembly.
 - For the applying amount of lubricants or glue, follow the instructions in this manual. (In the case of no amount instructions, apply as you think it appropriate.)

2.1 PACKING SECTION



(1) PACKING SECTION PARTS LIST

Mark No.	Description	Part No.	Mark No.	Description	Part No.
1	Setup Microphone (for Auto MCACC setup)	APM7008	11	Operating Instructions (Dutch)	See Contrast table (2)
2	FM Wire Antenna	ADH7030	12	Remote Control Unit	See Contrast table (2)
3	AM Loop Antenna	ATB7013	13	Battery Cover	XZN3140
NSP 4	Warranty Card	See Contrast table (2)	NSP 14	Dry Cell Battery	See Contrast table (2)
5	Caution Sheet(Spanish/English)	ARM7083	NSP 15	Polyethylene Bag	See Contrast table (2)
6	Operating Instructions (English)	See Contrast table (2)	16	Front Pad	AHA7456
7	Operating Instructions (French)	See Contrast table (2)	17	Rear Pad	AHA7457
8	Operating Instructions (German)	See Contrast table (2)	18	Packing Sheet	RHC1023
9	Operating Instructions (Italian)	See Contrast table (2)	19	Packing Case	See Contrast table (2)
10	Operating Instructions (Spanish)	See Contrast table (2)	20	Label (WEEE)	See Contrast table (2)

(2) CONTRAST TABLE

VSX-1016V-K/HYXJ5, VSX-1016V-S/HYXJ5, VSX-1016TXV-K/KUXJ, VSX-80TXV/KUXJCA and VSX-80TXV-S/KUXJCA are constructed the same except for the following:

Mark	No.	Symbol and Description	VSX-1016V-K /HYXJ5	VSX-1016V-S /HYXJ5	VSX-1016TXV-K /KUXJ	VSX-80TXV /KUXJCA	VSX-80TXV-S /KUXJCA
NSP	4	Warranty Card	ARY7065	ARY7065	ARY7045	ARY7007	ARY7007
	6	Operating Instructions (English)	ARB7359	ARB7359	ARB7360	ARB7361	ARB7361
	7	Operating Instructions (French)	ARC7701	ARC7701	Not used	Not used	Not used
	8	Operating Instructions (German)	ARC7702	ARC7702	Not used	Not used	Not used
	9	Operating Instructions (Italian)	ARC7703	ARC7703	Not used	Not used	Not used
	10	Operating Instructions (Spanish)	ARC7704	ARC7704	Not used	Not used	Not used
	11	Operating Instructions (Dutch)	ARC7705	ARC7705	Not used	Not used	Not used
	12	Remote Control Unit	AXD7436	AXD7436	AXD7435	AXD7434	AXD7434
NSP	14	Dry Cell Battery AA/LR6	VEM1021	VEM1021	Not used	Not used	Not used
NSP	14	Dry Cell Battery AA/IEC R6P	Not used	Not used	VEM1031	VEM1031	VEM1031
NSP	15	Polyethylene Bag	AHG7132	AHG7132	AHG7117	AHG7117	AHG7117
	19	Packing Case 1016KHY	AHD8485	Not used	Not used	Not used	Not used
	19	Packing Case 1016SHY	Not used	AHD8427	Not used	Not used	Not used
	19	Packing Case 1016KKU	Not used	Not used	AHD8440	Not used	Not used
	19	Packing Case 80KKU	Not used	Not used	Not used	AHD8438	Not used
	19	Packing Case 80SKU	Not used	Not used	Not used	Not used	AHD8439
	20	Label (WEEE)	ARW7322	ARW7322	Not used	Not used	AHD8439

2.2 EXTERIOR SECTION

1

2

3

4

A

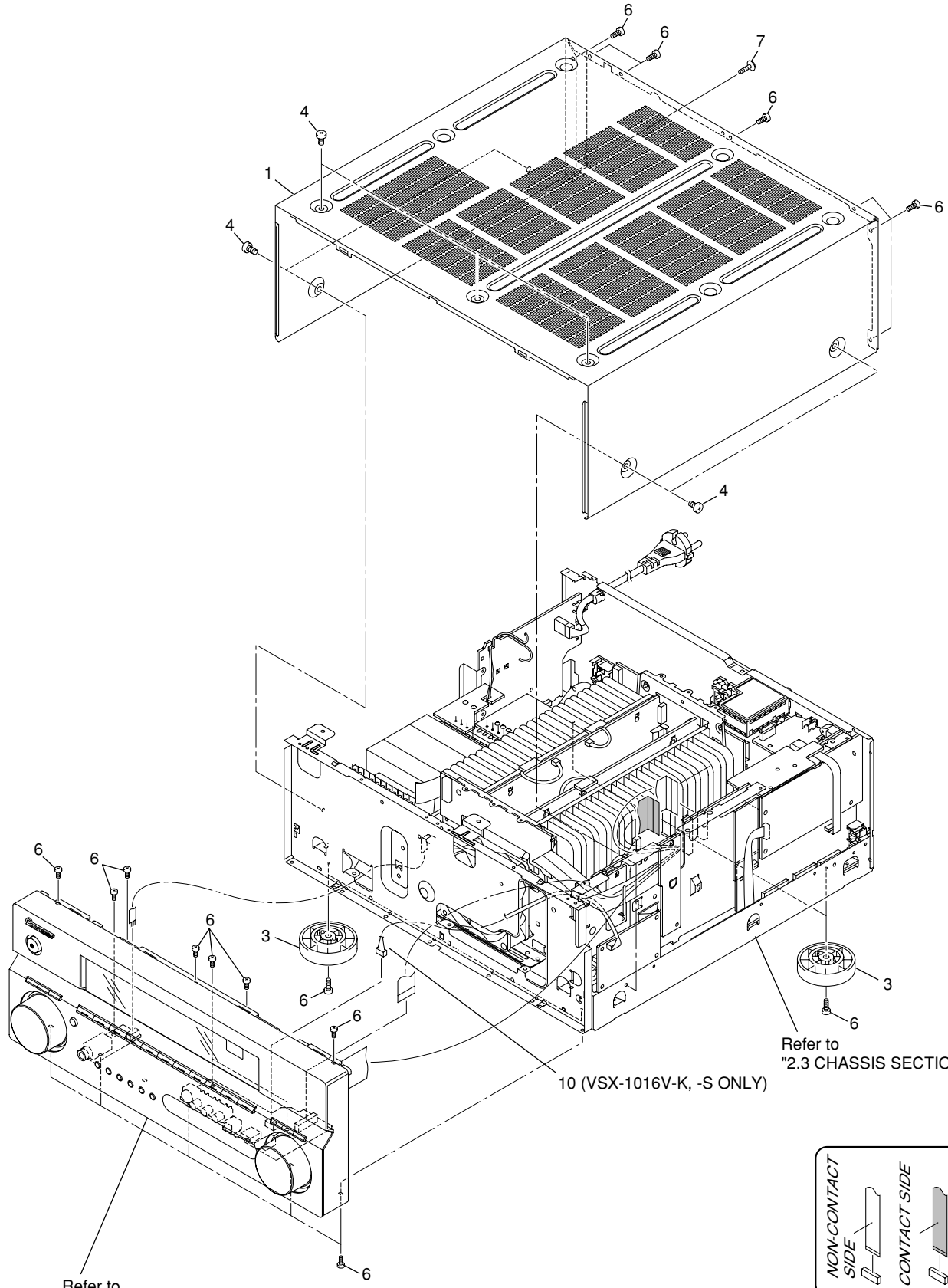
B

C

D

E

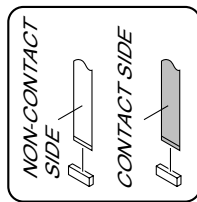
F



Refer to "2.6 FRONT PANEL SECTION".

Refer to "2.3 CHASSIS SECTION".

10 (VSX-1016V-K, -S ONLY)



1

2

3

4

(1) EXTERIOR SECTION PARTS LIST

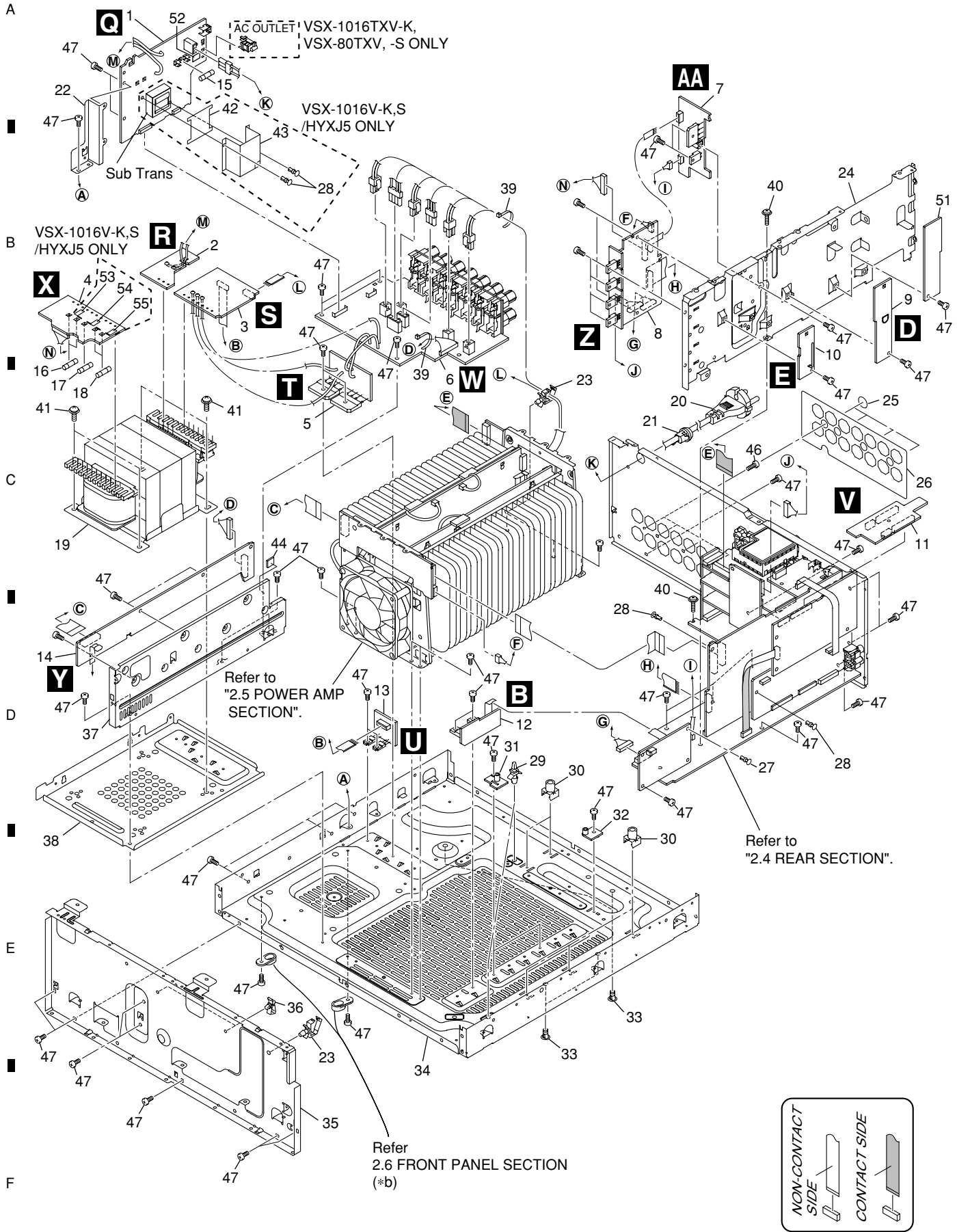
<u>Mark No.</u>	<u>Description</u>	<u>Part No.</u>
1	Bonnet	See Contrast table (2)
3	Insulator	See Contrast table (2)
4	Screw	See Contrast table (2)
6	Screw	BBZ30P080FCC
7	Screw	IBP30P090FCC
10	4P shield cable	See Contrast table (2)

(2) CONTRAST TABLE

VSX-1016V-K/HYXJ5, VSX-1016V-S/HYXJ5, VSX-1016TXV-K/KUXJ, VSX-80TXV/KUXJCA and VSX-80TXV-S/KUXJCA are constructed the same except for the following:

Mark	No.	Symbol and Description	VSX-1016V-K /HYXJ5	VSX-1016V-S /HYXJ5	VSX-1016TXV-K /KUXJ	VSX-80TXV /KUXJCA	VSX-80TXV-S /KUXJCA
	1	Bonnet 81B	AZN8021	Not used	AZN8021	AZN8021	Not used
	1	Bonnet 2016S	Not used	AZN8020	Not used	Not used	AZN8020
	3	Insulator	PNW2766	PNW2766	PNW2766	AMR7198	AMR7198
	4	Screw	BCZ40P060FTB	BCZ40P060FNI	BCZ40P060FTB	BCZ40P060FTB	BCZ40P060FNI
	10	4P shield cable	XDX3028	XDX3028	Not used	Not used	Not used

2.3 CHASSIS SECTION



(1) CHASSIS SECTION PARTS LIST

Mark No.	Description	Part No.	Mark No.	Description	Part No.
1	PRIMARY Assy	See Contrast table (2)	28	Nyron Rivet	AEC7406
2	TRANS 1 Assy	AWX9038	29	Locking Card Spacer	PNW2917
3	TRANS 2-1 Assy	See Contrast table (2)	30	PCB Mold	AMR2534
4	TRANS 2-2 Assy	AWX9062			
5	DIODE 1 Assy	AWX9060	31	Inter Holder A	AMR7500
			32	Inter Holder B	AMR7501
6	PS/SP Assy	See Contrast table (2)	33	Card Spacer	DNK2769
7	DC/DC Assy	AWX9098	NSP 34	Under Base 2016	ANA7189
8	LOCAL P-SUPPLY Assy	See Contrast table (2)	NSP 35	Panel Stay 2016	AND7082
9	GUARD-C Assy	AWX9051			
10	GUARD-F Assy	AWX9070	36	Side Clamp	DEC2007
			37	Under Beam V1	ANG7478
11	BRIDGE 1-L Assy	AWX9079	NSP 38	Trans Frame 74	ANG7539
12	12V-REG Assy	AWX9014	NSP 39	Binder	ZCA-BK1
13	VH TR Assy	AWX9061	40	Screw 3x15	ABA7100
14	TRANS SIDE Assy	AWX9056			
⚠ 15	Fuse (FU1)	See Contrast table (2)	41	Screw 4x12	ABA7109
			42	Primary Barrier	See Contrast table (2)
⚠ 16	Fuse (FU7,FU8)	See Contrast table (2)	43	Shield Case	See Contrast table (2)
⚠ 17	Fuse (FU4)	See Contrast table (2)	44	Bridge Spacer	AEB7201
⚠ 18	Fuse (FU5,FU6)	See Contrast table (2)	46	Screw	BBT30P100FCC
⚠ 19	Power Transformer (T1501)	See Contrast table (2)			
⚠ 20	AC Power Cord	See Contrast table (2)	47	Screw	BBZ30P080FCC
			48	
21	Cord Stopper	See Contrast table (2)	49	
22	Primary Angle 56	ANG7526	50	
NSP 23	Wire Saddle	DEC1450	51	GUARD-R Assy	AWX9025
24	DSP Shield 1016	ANG7548			
25	Cushion Circle 14B	AED7081	NSP 52	Fuse Card	See Contrast table (2)
			NSP 53	Fuse Card	See Contrast table (2)
26	SP Sheet 2016	AEC7560	NSP 54	Fuse Card	See Contrast table (2)
27	Nyron Rivet	AEC7408	NSP 55	Fuse Card	See Contrast table (2)

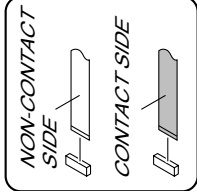
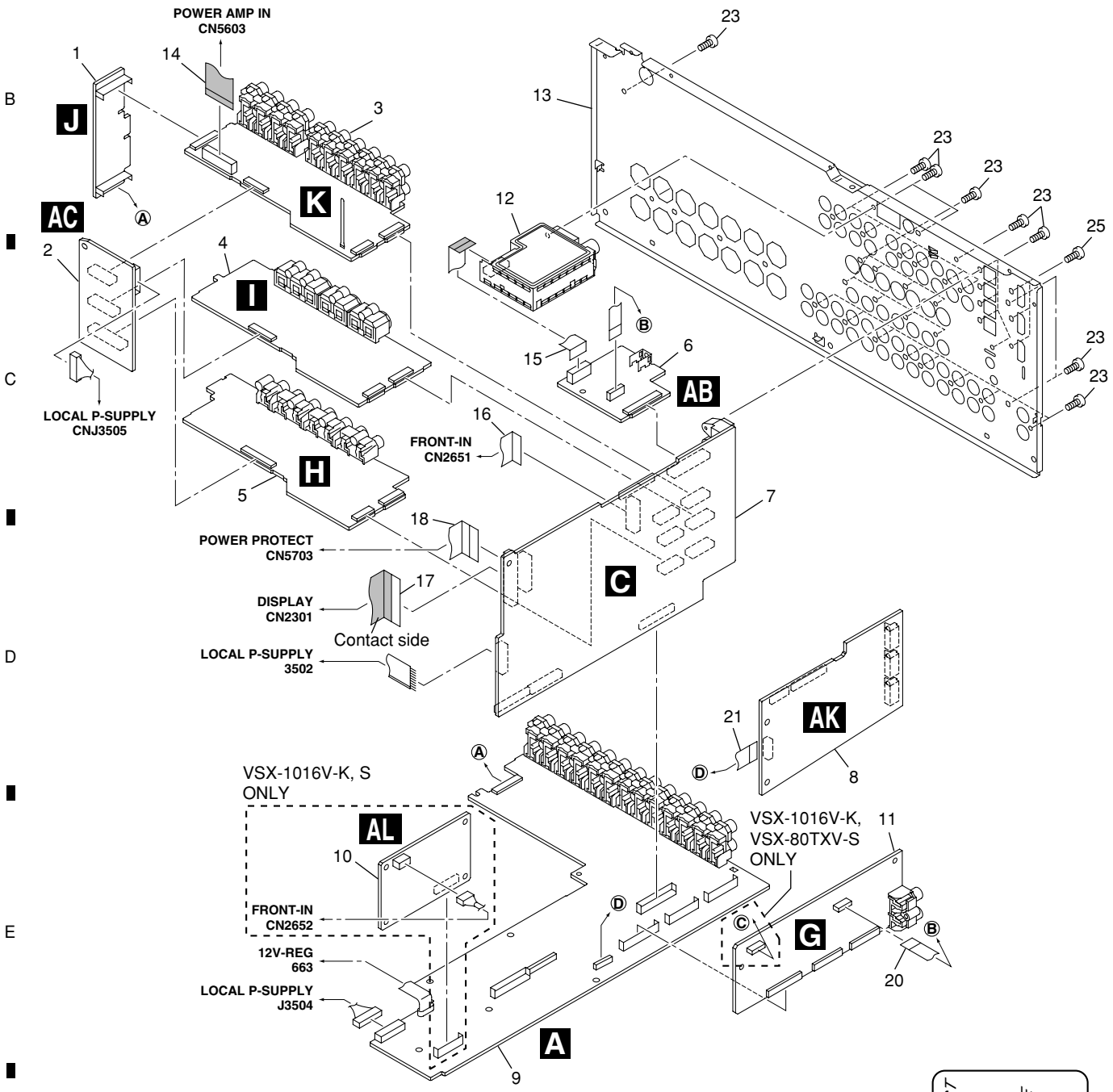
(2) CONTRAST TABLE

VSX-1016V-K/HYXJ5, VSX-1016V-S/HYXJ5, VSX-1016TXV-K/KUXJ, VSX-80TXV/KUXJCA and VSX-80TXV-S/KUXJCA are constructed the same except for the following:

Mark	No.	Symbol and Description	VSX-1016V-K /HYXJ5	VSX-1016V-S /HYXJ5	VSX-1016TXV-K /KUXJ	VSX-80TXV /KUXJCA	VSX-80TXV-S /KUXJCA
	1	PRIMARY Assy	AWX9086	AWX9086	AWX9085	AWX9085	AWX9085
	3	TRANS 2-1 Assy	AWX9059	AWX9059	AWX9058	AWX9058	AWX9058
	6	PS/SP Assy	AWX9108	AWX9108	AWX9054	AWX9054	AWX9054
	8	LOCAL P-SUPPLY Assy	AWX9068	AWX9068	AWX9065	AWX9065	AWX9065
⚠	15	Fuse (FU1: T5 A L 250 V)	REK1029	REK1029	Not used	Not used	Not used
⚠	15	Fuse (FU1: 10 A/125 V)	Not used	Not used	REK1154	REK1154	REK1154
⚠	16	Fuse (FU7,FU8: T2.5 A L 250 V)	REK1026	REK1026	Not used	Not used	Not used
⚠	16	Fuse (FU7,FU8: 2.5 A/125 V)	Not used	Not used	REK1146	REK1146	REK1146
⚠	17	Fuse (FU4: T4 A L 250 V)	REK1028	REK1028	Not used	Not used	Not used
⚠	17	Fuse (FU4: 5 A/125 V)	Not used	Not used	REK1067	REK1067	REK1067
⚠	18	Fuse (FU5,FU6: T800 mA L 250 V)	REK1021	REK1021	Not used	Not used	Not used
⚠	18	Fuse (FU5,FU6: 1.25 A/125 V)	Not used	Not used	REK1143	REK1143	REK1143
⚠	19	Power Transformer (T1501)	ATS7408	ATS7408	ATS7407	ATS7407	ATS7407
⚠	20	AC Power Cord	VDG1080	VDG1080	VDG1075	VDG1075	VDG1075
	21	Cord Stopper	CM-22B	CM-22B	CM-22C	CM-22C	CM-22C
	42	Primary Barrier	AEC7569	AEC7569	Not used	Not used	Not used
	43	Shield Case	AMR7526	AMR7526	Not used	Not used	Not used
NSP	52	Fuse Card	AAX7098	AAX7098	Not used	Not used	Not used
NSP	53	Fuse Card	AAX7277	AAX7277	Not used	Not used	Not used
NSP	54	Fuse Card	AAX7099	AAX7099	Not used	Not used	Not used
NSP	55	Fuse Card	AAX2367	AAX2367	Not used	Not used	Not used

2.4 REAR SECTION

• VSX-1016V-K, S, VSX-1016TXV-K



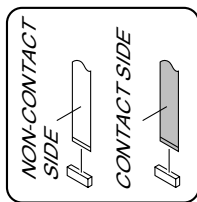
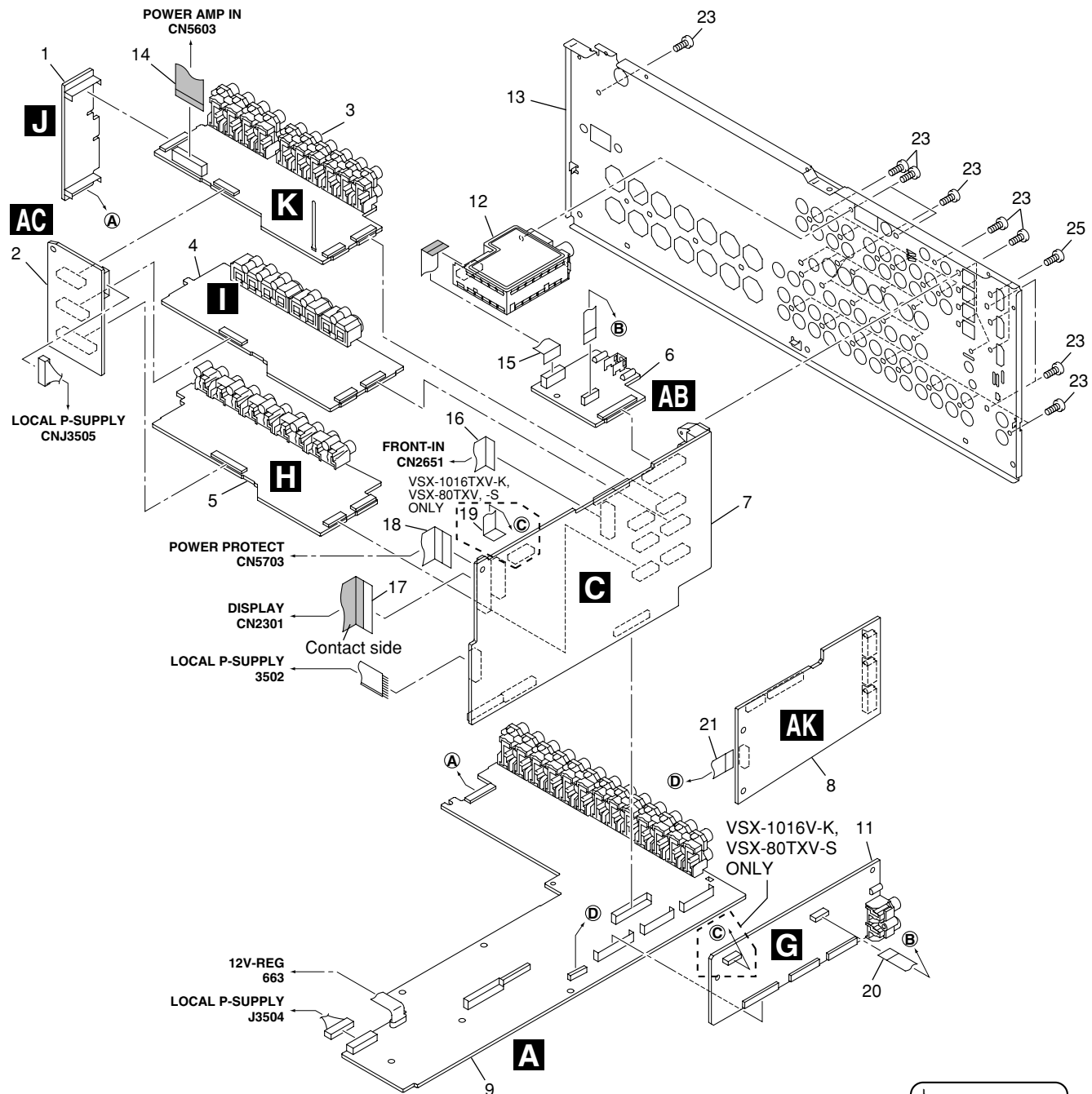
5 6 7 8

(1) REAR SECTION PARTS LIST

<u>Mark No.</u>	<u>Description</u>	<u>Part No.</u>	
1	BRIDGE 2 Assy	AWX9050	
2	VIDEO CONNECT Assy	AWX9069	A
3	COMPONENT Assy	AWX9031	
4	S-VIDEO Assy	AWX9099	
5	COMPOSITE Assy	AWX9089	
6	IR I/O Assy	AWX9067	
7	MAIN CONTROL Assy	AWX9018	
8	HDMI & DVC Assy	AWQ7036	
9	AUDIO IN Assy	AWX9022	
10	USB Assy	AWX8704	
11	DSP Assy	AWX8572	B
12	FM/AM Tuner Unit	AXX7170	
13	Rear Panel 1016KHY	ANC8446	
13	Rear Panel 1016SHY	ANC8383	
14	19P FFC/60V (J58)	ADD7535	
15	11P FFC/60V (J59)	ADD7536	
16	17P FFC/60V (J54)	ADD7540	
17	29P FFC/60V (J55)	ADD7532	
18	19P FFC/60V (J56)	ADD7533	
20	10P FFC/60V (J51)	ADD7528	C
21	9P FFC/60V (J53)	ADD7547	
23	Screw	BBZ30P080FCC	
25	Screw	PMZ30P060FCC	

• VSX-80TXV, -S

A
B
C
D
E
F



(1) REAR SECTION PARTS LIST

<u>Mark No.</u>	<u>Description</u>	<u>Part No.</u>	<u>Mark No.</u>	<u>Description</u>	<u>Part No.</u>
1	BRIDGE 2 Assy	AWX9050	14	19P FFC/60V (J58)	ADD7535
2	VIDEO CONNECT Assy	AWX9069	15	11P FFC/60V (J59)	ADD7536
3	COMPONENT Assy	See Contrast table (2)			
4	S-VIDEO Assy	See Contrast table (2)	16	17P FFC/60V (J54)	ADD7540
5	COMPOSITE Assy	See Contrast table (2)	17	29P FFC/60V (J55)	ADD7532
			18	19P FFC/60V (J56)	ADD7533
6	IR I/O Assy	See Contrast table (2)	19	12P FFC/60V (J52)	See Contrast table (2)
7	MAIN CONTROL Assy	See Contrast table (2)	20	10P FFC/60V (J51)	ADD7528
8	HDMI & DVC Assy	AWQ7036			
9	AUDIO IN Assy	See Contrast table (2)	21	9P FFC/60V (J53)	ADD7547
			23	Screw	BBZ30P080FCC
11	DSP Assy	See Contrast table (2)	25	Screw	PMZ30P060FCC
12	FM/AM Tuner Unit	See Contrast table (2)			
13	Rear Panel	See Contrast table (2)			

(2) CONTRAST TABLE

VSX-1016TXV-K/KUXJ, VSX-80TXV/KUXJCA and VSX-80TXV-S/KUXJCA are constructed the same except for the following:

<u>Mark</u>	<u>No.</u>	<u>Symbol and Description</u>	<u>VSX-1016TXV-K /KUXJ</u>	<u>VSX-80TXV /KUXJCA</u>	<u>VSX-80TXV-S /KUXJCA</u>
	3	COMPONENT Assy	AWX9032	AWX9032	AWX9032
	4	S-VIDEO Assy	AWX9099	AWX9105	AWX9105
	5	COMPOSITE Assy	AWX9089	AWX9090	AWX9090
	6	IR I/O Assy	AWX9101	AWX9066	AWX9066
	7	MAIN CONTROL Assy	AWX9016	AWX9017	AWX9017
	9	AUDIO IN Assy	AWX9027	AWX9088	AWX9088
	11	DSP Assy	AWX8699	AWX8699	AWX8699
	12	FM/AM Tuner Unit	AXX7172	AXX7172	AXX7172
	13	Rear Panel 1016KKU	ANC8386	Not used	Not used
	13	Rear Panel 80KKU	Not used	ANC8384	Not used
	13	Rear Panel 80SKU	Not used	Not used	ANC8385
	19	12P FFC/60V (J52)	ADD7529	ADD7529	ADD7529

2.5 POWER AMP SECTION

A

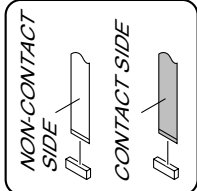
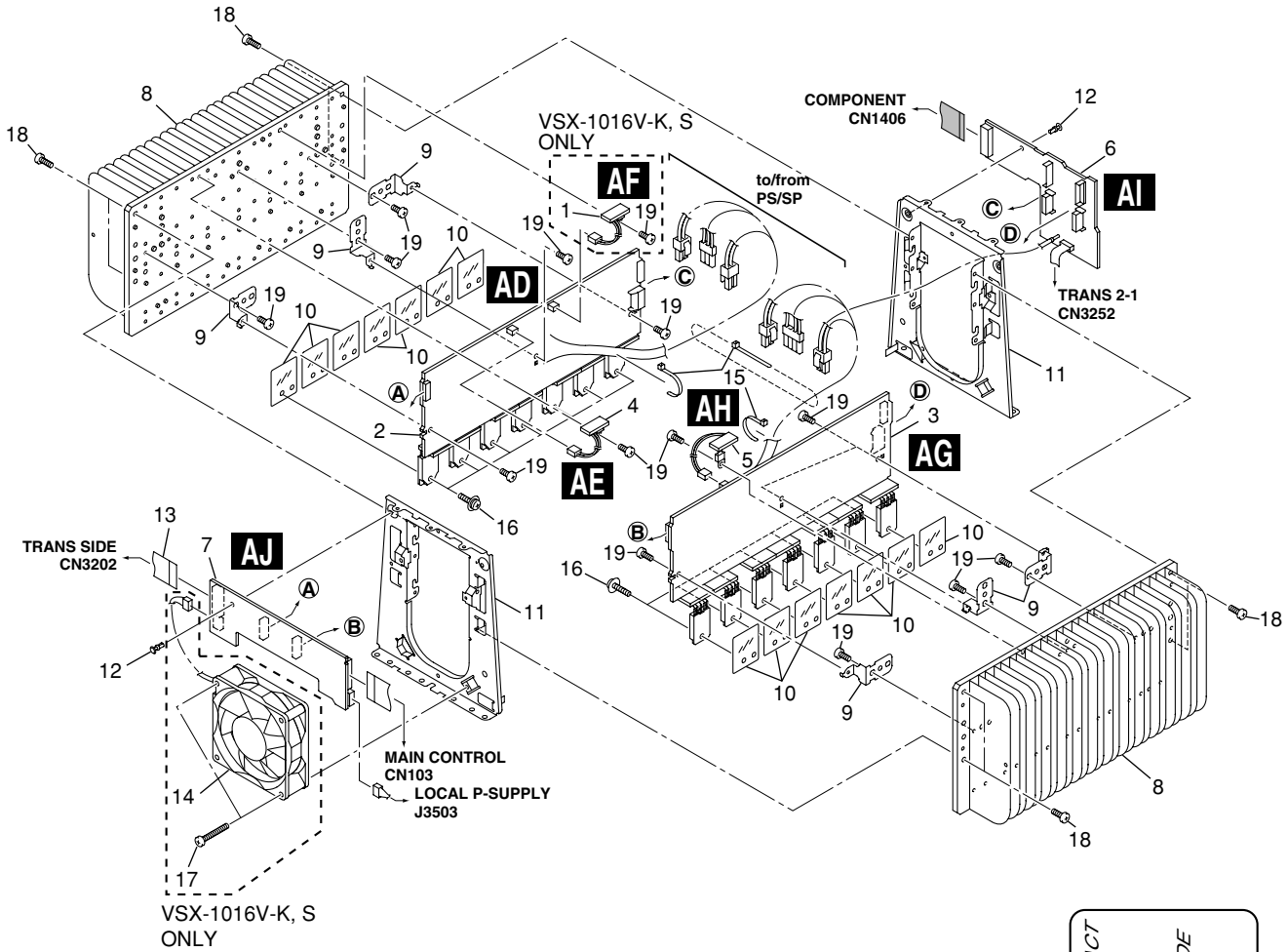
B

C

D

E

F



(1) POWER AMP SECTION PARTS LIST

<u>Mark No.</u>	<u>Description</u>	<u>Part No.</u>	<u>Mark No.</u>	<u>Description</u>	<u>Part No.</u>
1	POSI 2-L Assy	See Contrast table (2)	12	Nyron Rivet	AEC7408
2	POWER AMP-L Assy	See Contrast table (2)	13	17P FFC/60V (J57)	ADD7534
3	POWER AMP-R Assy	See Contrast table (2)	⚠ 14	DC Fan Motor	See Contrast table (2)
4	POSI 1-L Assy	See Contrast table (2)	NSP 15	Binder	ZCA-BK1
5	POSI 1-R Assy	See Contrast table (2)	16	Screw 3X19	ABA7085
6	POWER AMP IN Assy	AWX9075	17	Screw	See Contrast table (2)
7	POWER PROTECT Assy	See Contrast table (2)	18	Screw	BBT30P100FCC
NSP 8	Heat Sink 45	ANH7152	19	Screw	BBZ30P080FCC
9	PCB Angle 45	ANG7406			
10	Mica Sheet 45	AEE7047			
11	H.S. Angle 2016	ANG7547			

(2) CONTRAST TABLE

VSX-1016V-K/HYXJ5, VSX-1016V-S/HYXJ5, VSX-1016TXV-K/KUXJ, VSX-80TXV/KUXJCA and VSX-80TXV-S/KUXJCA are constructed the same except for the following:

<u>Mark</u>	<u>No.</u>	<u>Symbol and Description</u>	<u>VSX-1016V-K /HYXJ5</u>	<u>VSX-1016V-S /HYXJ5</u>	<u>VSX-1016TXV-K /KUXJ</u>	<u>VSX-80TXV /KUXJCA</u>	<u>VSX-80TXV-S /KUXJCA</u>
	1	POSI 2-L Assy	AWX9082	AWX9082	Not used	Not used	Not used
	2	POWER AMP-L Assy	AWX9072	AWX9072	AWX9071	AWX9071	AWX9071
	3	POWER AMP-R Assy	AWX9073	AWX9073	AWX9106	AWX9106	AWX9106
	4	POSI 1-L Assy	AWX9081	AWX9081	AWX9080	AWX9080	AWX9080
	5	POSI 1-R Assy	AWX9084	AWX9084	AWX9083	AWX9083	AWX9083
	7	POWER PROTECT Assy	AWX9077	AWX9077	AWX9076	AWX9076	AWX9076
⚠	14	DC Fan Motor	AXM7029	AXM7029	Not used	Not used	Not used
	17	Screw	BBZ30P300FTC	BBZ30P300FTC	Not used	Not used	Not used

2.6 FRONT PANEL SECTION

A

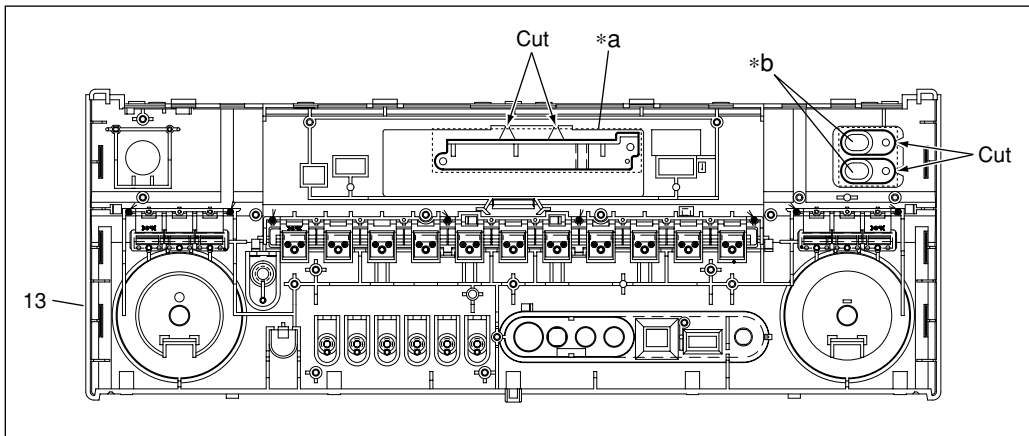
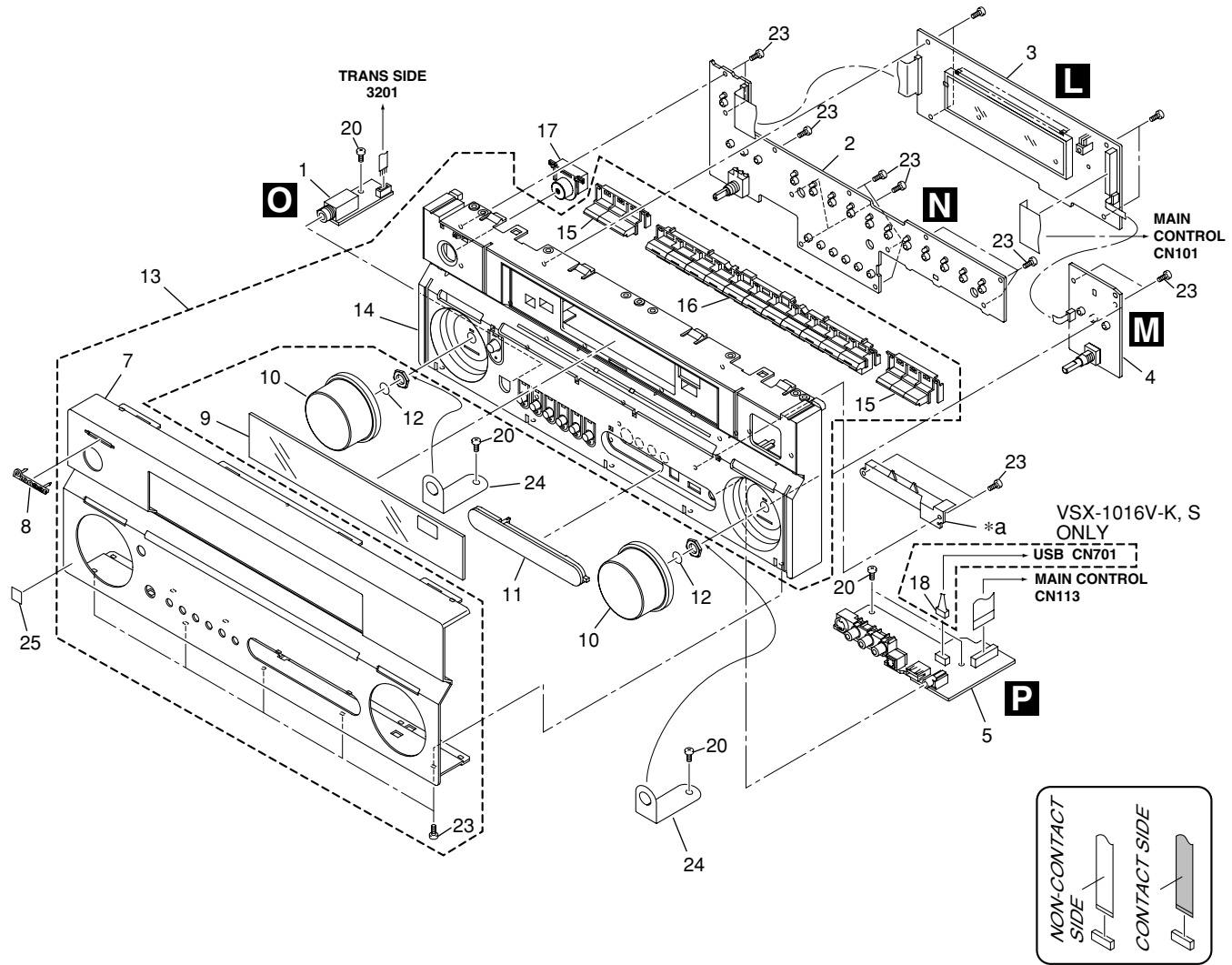
B

C

D

E

F



(1) FRONT PANEL SECTION PARTS LIST

Mark No.	Description	Part No.	Mark No.	Description	Part No.
1	HEADPHONE Assy	AWX9049	13	Panel Assy	See Contrast table (2)
2	MULTI JOG Assy	See Contrast table (2)	NSP 14	P Base	See Contrast table (2)
3	DISPLAY Assy	See Contrast table (2)	NSP 15	Side Button	See Contrast table (2)
4	VOLUME Assy	See Contrast table (2)	NSP 16	Func BTN Assy	See Contrast table (2)
5	FRONT-IN Assy	See Contrast table (2)	17	STDBY BTN Assy	See Contrast table (2)
NSP 7	F Panel	See Contrast table (2)	18	4P Shield Cable (J61)	See Contrast table (2)
8	Pioneer Name Plate	See Contrast table (2)	20	Screw	BBZ30P080FCC
9	Window	See Contrast table (2)	23	Screw	PPZ30P080FNI
10	Rotary Knob	See Contrast table (2)	24	Earth Plate	See Contrast table (2)
11	Input Cover	See Contrast table (2)	NSP 25	Energy Star Label	See Contrast table (2)
12	Ring	ABH7213			

(2) CONTRAST TABLE

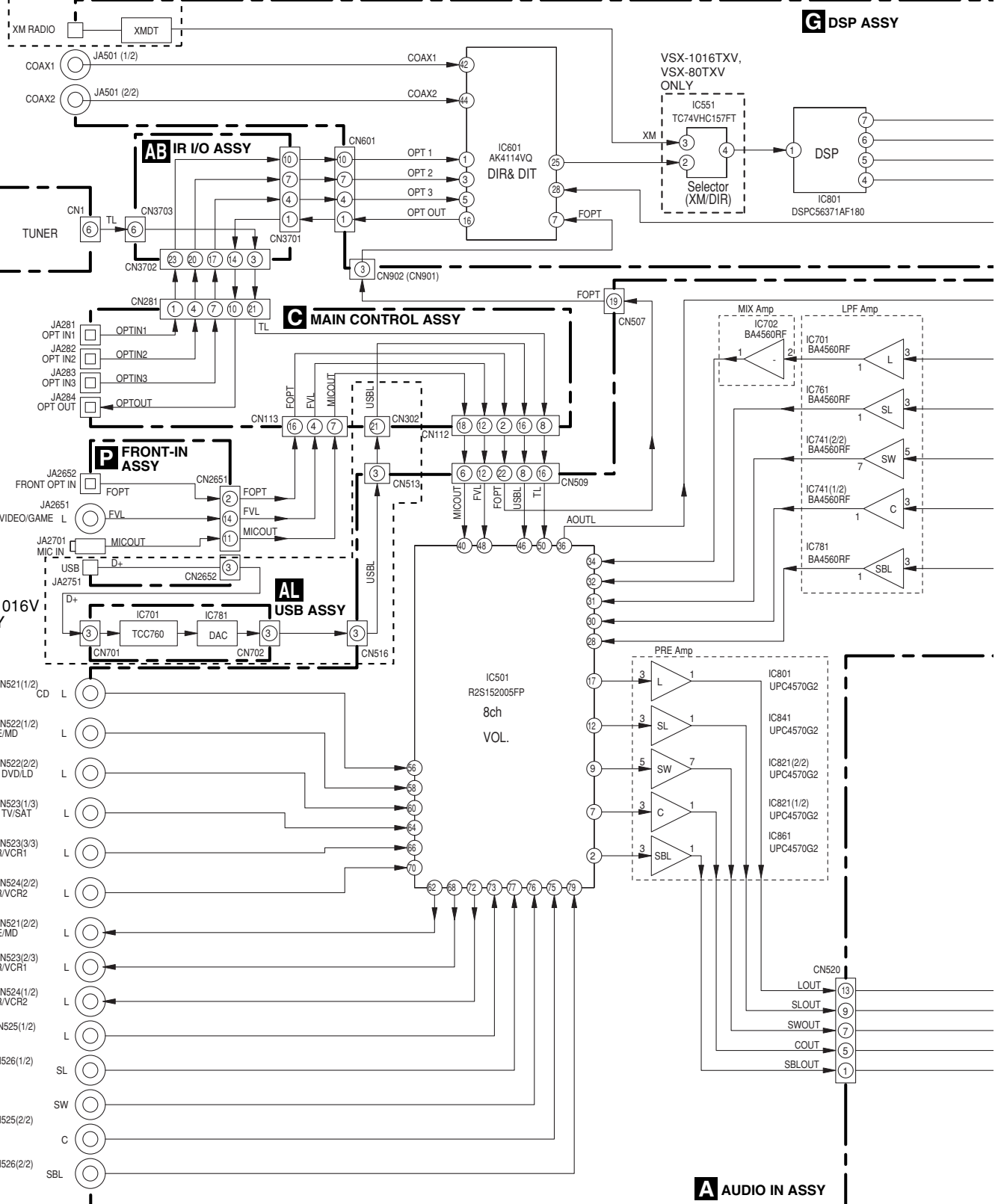
VSX-1016V-K/HYXJ5, VSX-1016V-S/HYXJ5, VSX-1016TXV-K/KUXJ, VSX-80TXV/KUXJCA and VSX-80TXV-S/KUXJCA are constructed the same except for the following:

Mark No.	Symbol and Description	VSX-1016V-K /HYXJ5	VSX-1016V-S /HYXJ5	VSX-1016TXV-K /KUXJ	VSX-80TXV /KUXJCA	VSX-80TXV-S /KUXJCA
NSP	2 MULTI JOG Assy	AWX9046	AWX9113	AWX9046	AWX9046	AWX9113
	3 DISPLAY Assy	AWX9104	AWX9104	AWX9042	AWX9043	AWX9043
	4 VOLUME Assy	AWX9044	AWX9111	AWX9044	AWX9044	AWX9111
	5 FRONT-IN Assy	AWX9048	AWX9048	AWX9047	AWX9047	AWX9047
	7 F Panel 1016KHY	AMB7945	Not used	Not used	Not used	Not used
NSP	7 F Panel 1016SHY	Not used	AMB7912	Not used	Not used	Not used
NSP	7 F Panel 1016KKU	Not used	Not used	AMB7915	Not used	Not used
NSP	7 F Panel 80KKU	Not used	Not used	Not used	AMB7913	Not used
NSP	7 F Panel 80SKU	Not used	Not used	Not used	Not used	AMB7914
	8 Pioneer Badge B	XAM3006	Not used	XAM3006	Not used	Not used
	8 Pioneer Name plate	Not used	VAM1129	Not used	VAM1109	VAM1129
	9 Window 1016HY	AAK8332	AAK8332	Not used	Not used	AAK8332
	9 Window 1016KU	Not used	Not used	AAK8348	Not used	Not used
	9 Window 80K	Not used	Not used	Not used	AAK8333	Not used
	10 Rotary Knob B	AAA7024	Not used	AAA7024	AAA7024	Not used
	10 Rotary Knob P	Not used	AAA7033	Not used	Not used	AAA7033
	11 Input Cover V3K	XAK3532	Not used	Not used	Not used	Not used
	11 Input Cover V3S	Not used	XAK3533	Not used	Not used	XAK3533
	11 Input Cover 81K	Not used	Not used	Not used	AAK8355	Not used
	13 Panel 1016KHY Assy	AXG7325	Not used	Not used	Not used	Not used
	13 Panel 1016SHY Assy	Not used	AXG7310	Not used	Not used	Not used
	13 Panel 1016KKU Assy	Not used	Not used	AXG7313	Not used	Not used
	13 Panel 80KKU Assy	Not used	Not used	Not used	AXG7311	Not used
	13 Panel 80SKU Assy	Not used	Not used	Not used	Not used	AXG7312
NSP	14 P Base 1016KPW	AMB7926	Not used	Not used	Not used	Not used
NSP	14 P Base 2016SHY	Not used	AMB7920	Not used	Not used	Not used
NSP	14 P Base 9110KKU	Not used	Not used	AMB7921	Not used	Not used
NSP	14 P Base 81KKU	Not used	Not used	Not used	AMB7919	Not used
NSP	14 P Base 81SKU	Not used	Not used	Not used	Not used	AMB7925
	15 Side Button K	AAD7761	Not used	AAD7761	AAD7761	Not used
NSP	15 Side Button S	Not used	AAD7760	Not used	Not used	AAD7760
NSP	16 Func BTN K Assy	AAD7758	Not used	AAD7758	AAD7758	Not used
NSP	16 Func BTN S Assy	Not used	AAD7757	Not used	Not used	AAD7757
	17 STDBY BTN 915K Assy	XAD3216	Not used	XAD3216	XAD3216	Not used
	17 STDBY BTN 915P Assy	Not used	XAD3217	Not used	Not used	XAD3217
	18 4P Shield Cable (J61)	XDX3028	XDX3028	Not used	Not used	Not used
	24 Earth Plate	Not used	AKB7062	Not used	Not used	AKB7062
NSP	25 Energy Star Label	Not used	Not used	AAX8022	AAX8022	AAX8022

3. BLOCK DIAGRAM AND SCHEMATIC DIAGRAM

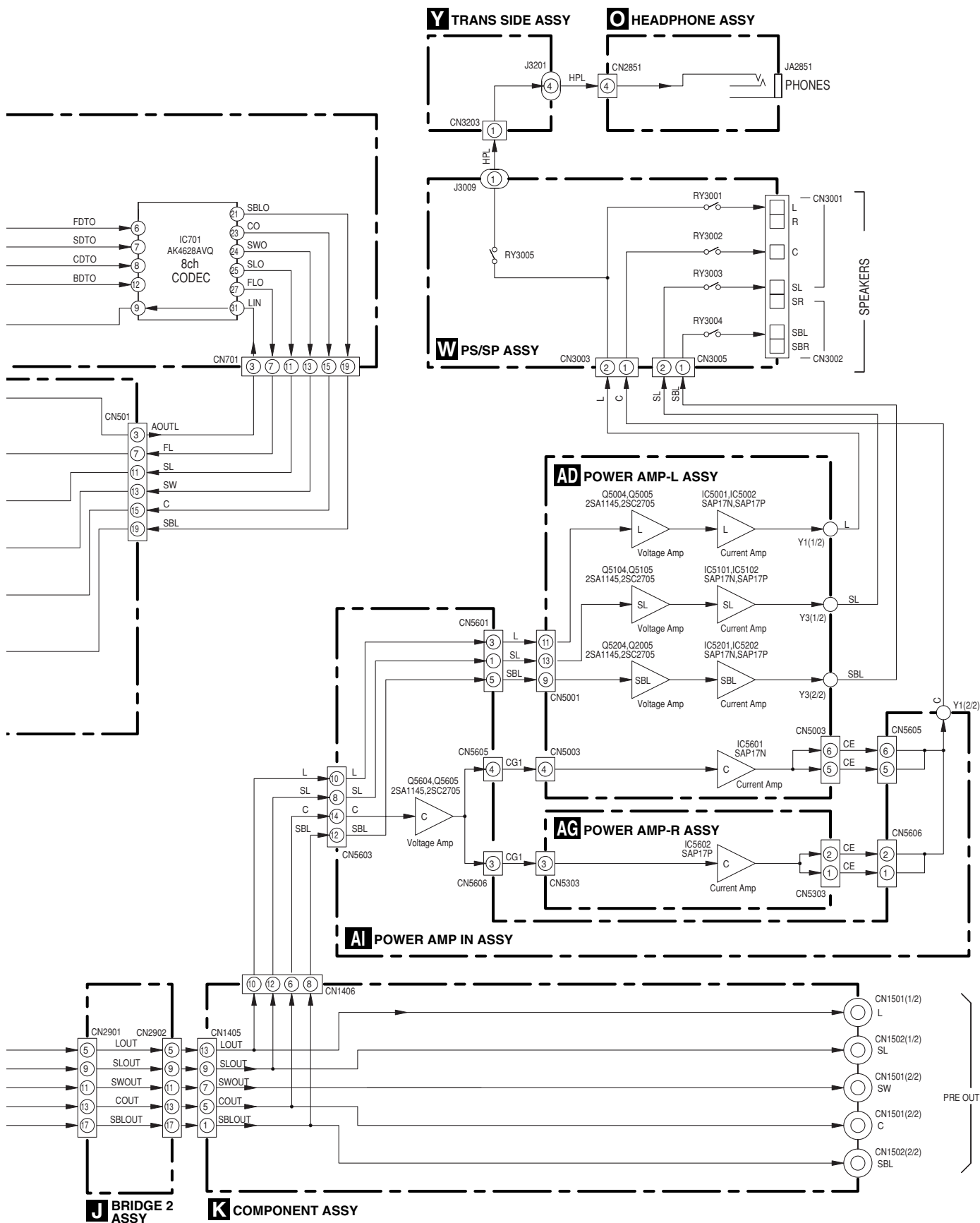
3.1 BLOCK DIAGRAM for AUDIO BLOCK

VSX1016TXV, VSX-80TXV ONLY

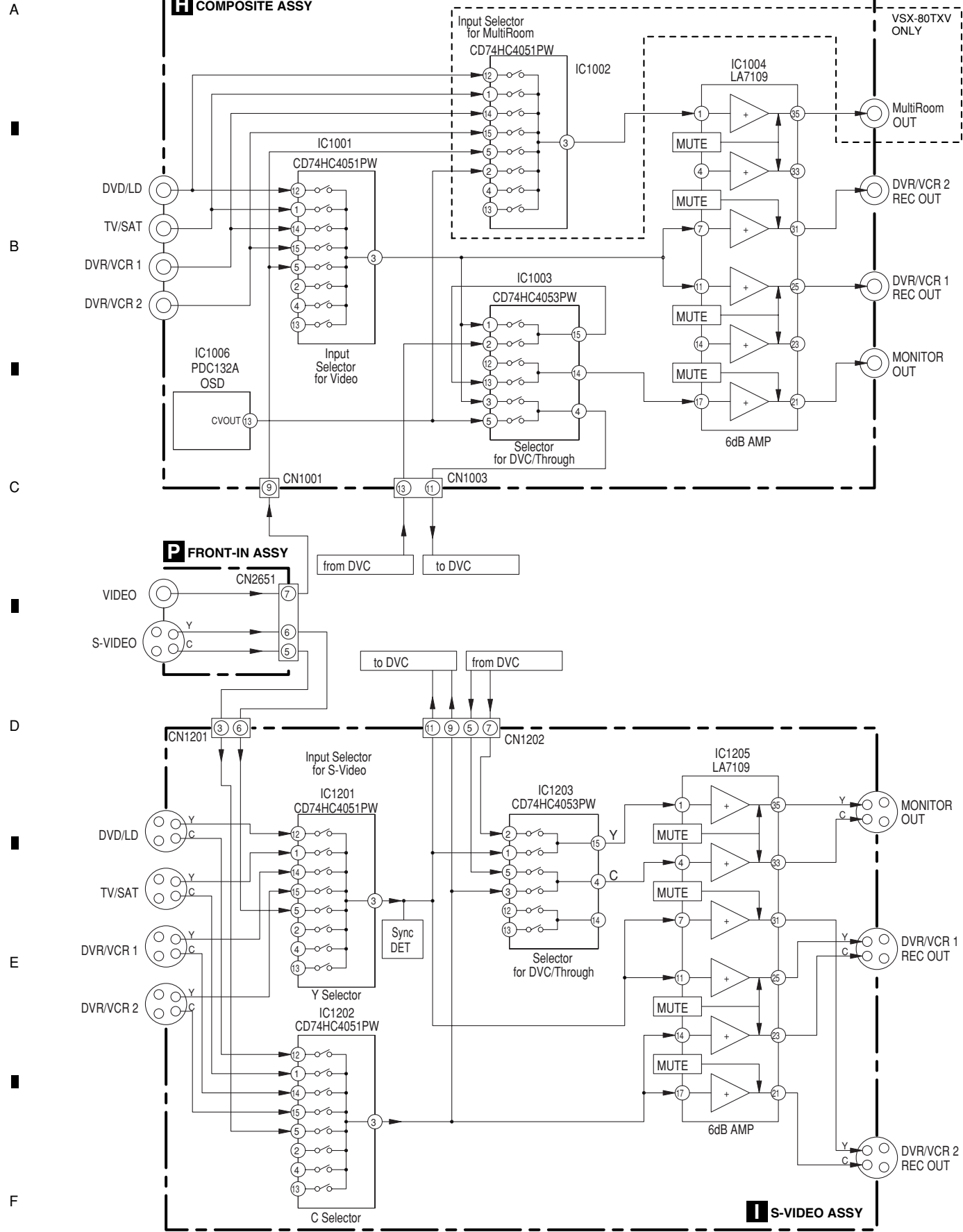


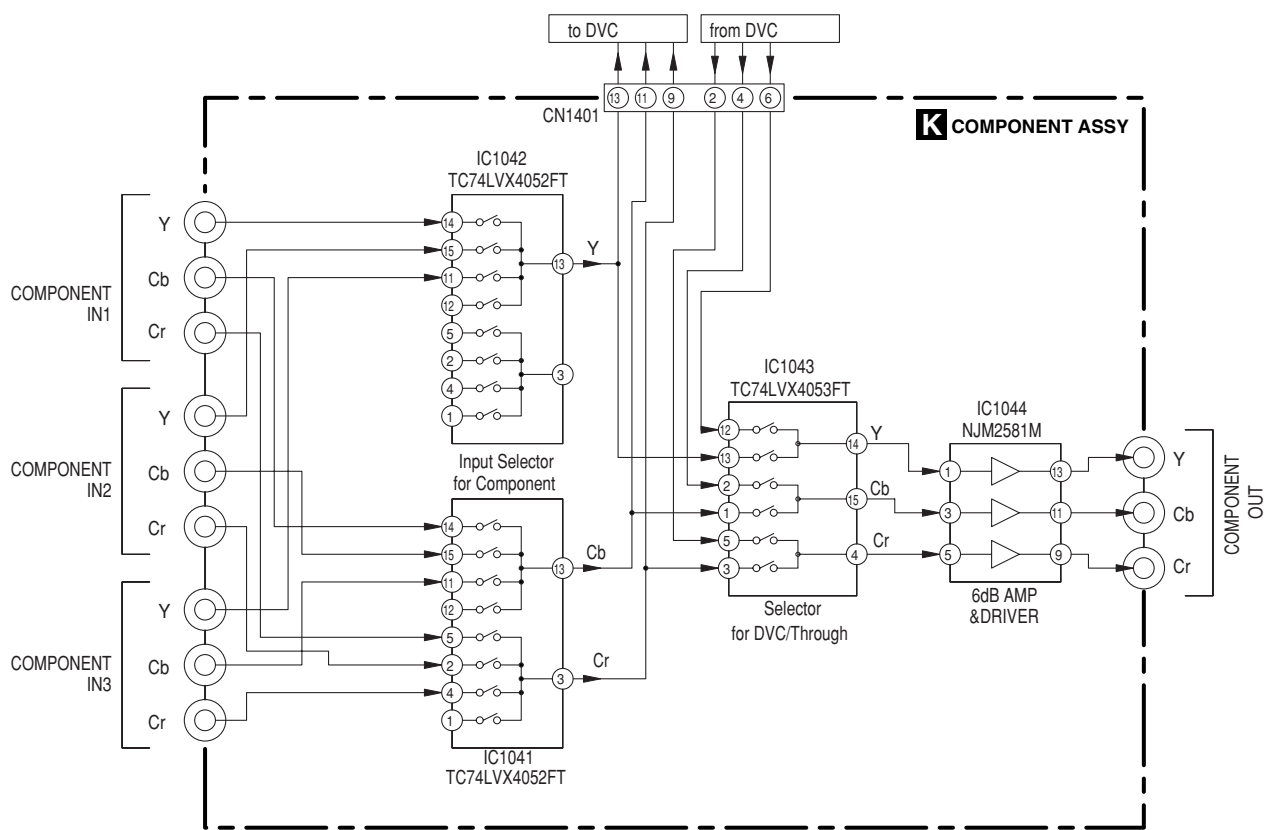
VSX-1016V-K

A
B
C
D
E
F



3.2 BLOCK DIAGRAM for VIDEO BLOCK





A

B

C

D

E

F

3.3 OVERALL WIRING DIAGRAM

1

2

3

4

A

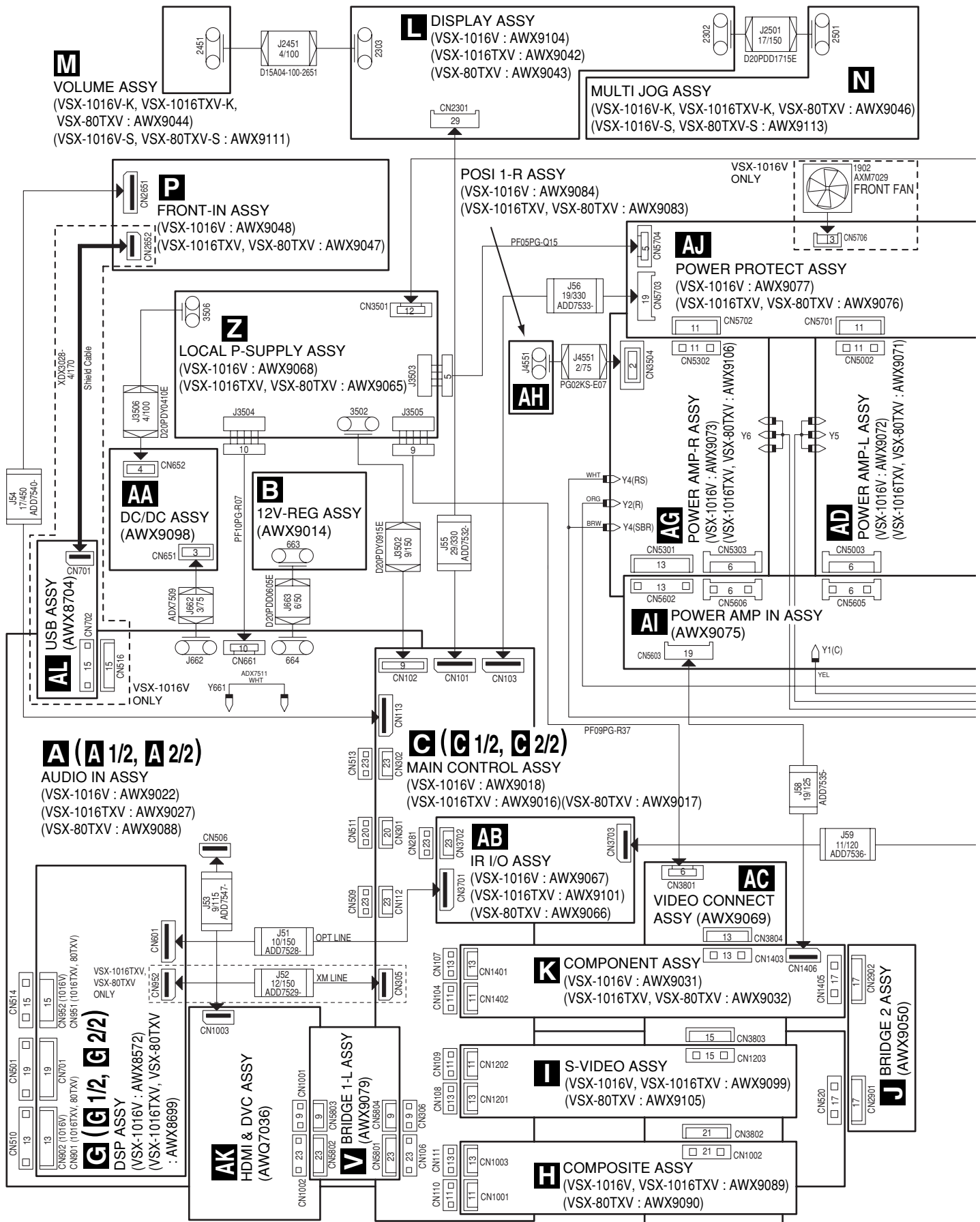
B

C

D

E

F




1

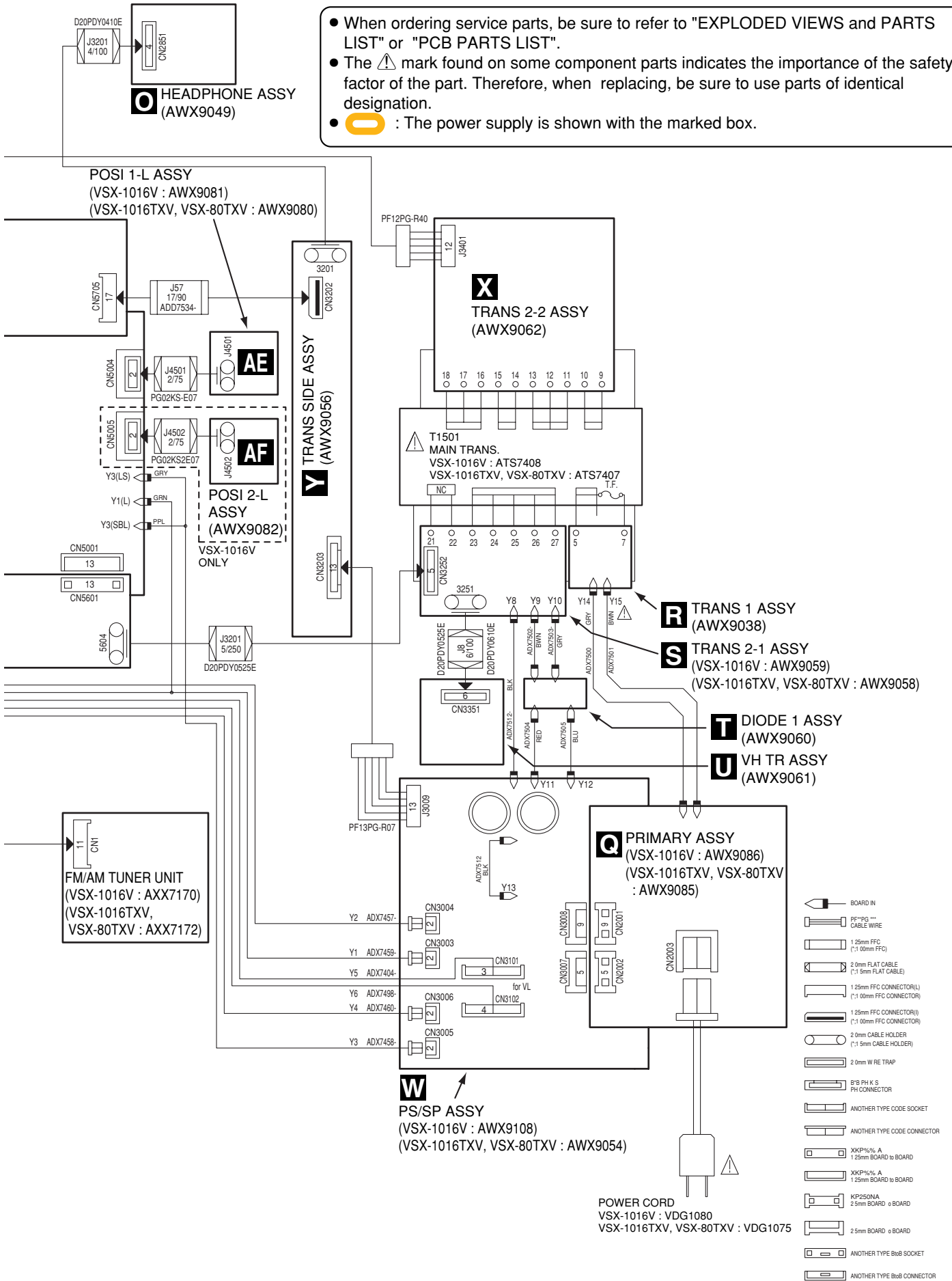
2

3

4

A
B
C
D
E
F

- When ordering service parts, be sure to refer to "EXPLODED VIEWS and PARTS LIST" or "PCB PARTS LIST".
- The ⚠ mark found on some component parts indicates the importance of the safety factor of the part. Therefore, when replacing, be sure to use parts of identical designation.
-  : The power supply is shown with the marked box.



3.4 AUDIO IN ASSY (1/2)

1

2

3

4

A

B

C

D

E

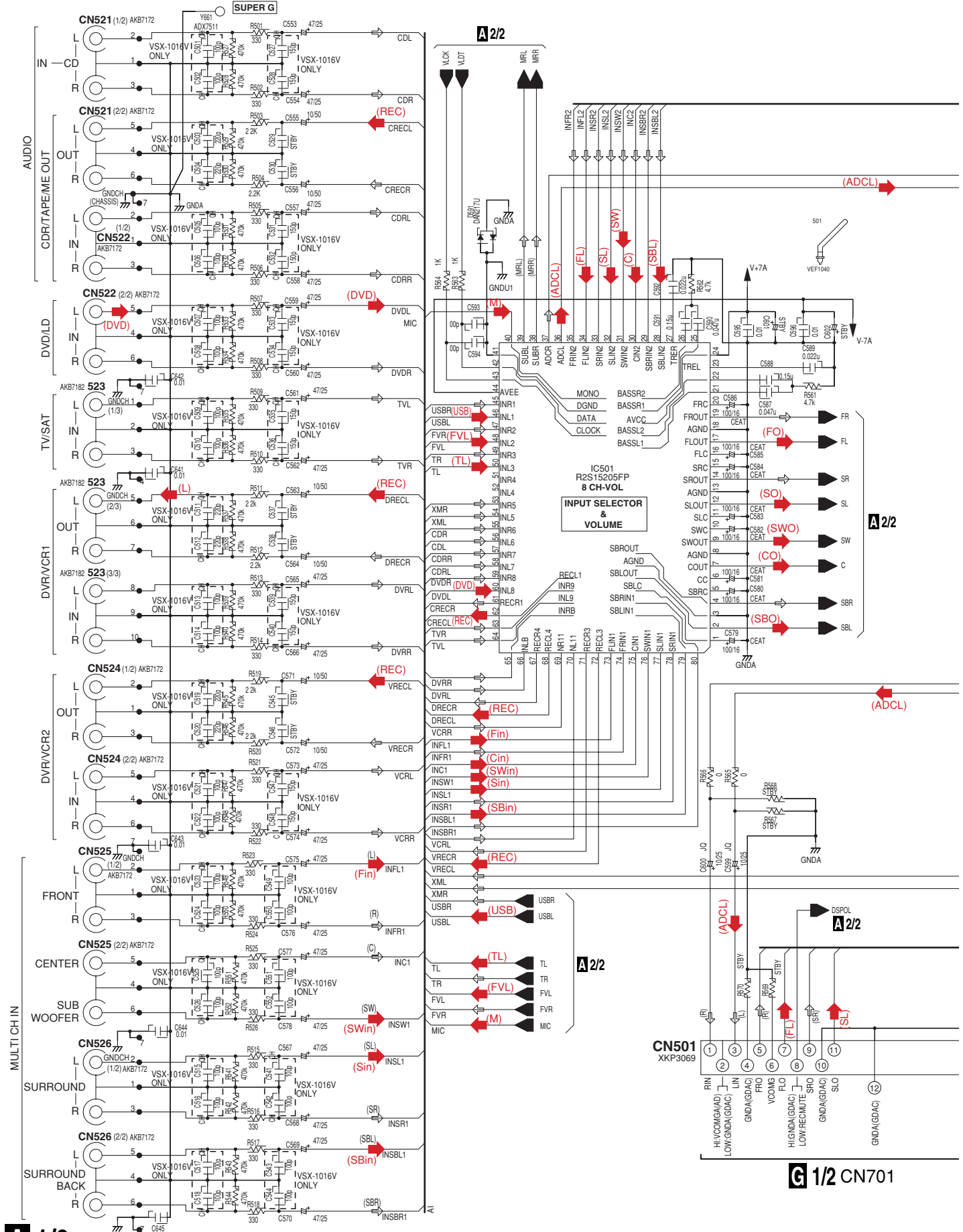
F

A 2/2

A 2/2

A 2/2

G 1/2 CN701



A 1/2

VSX-1016V-K

1

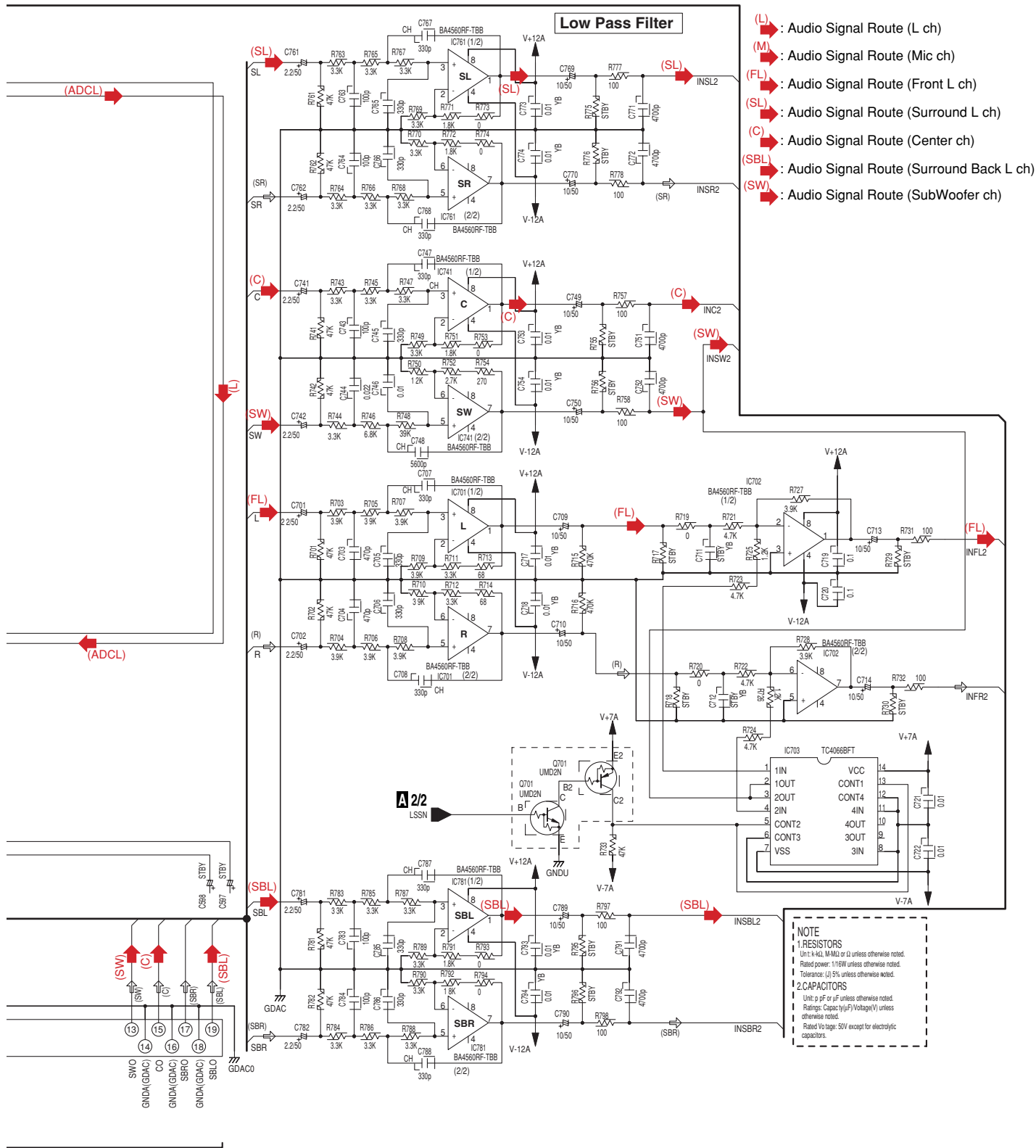
2

3

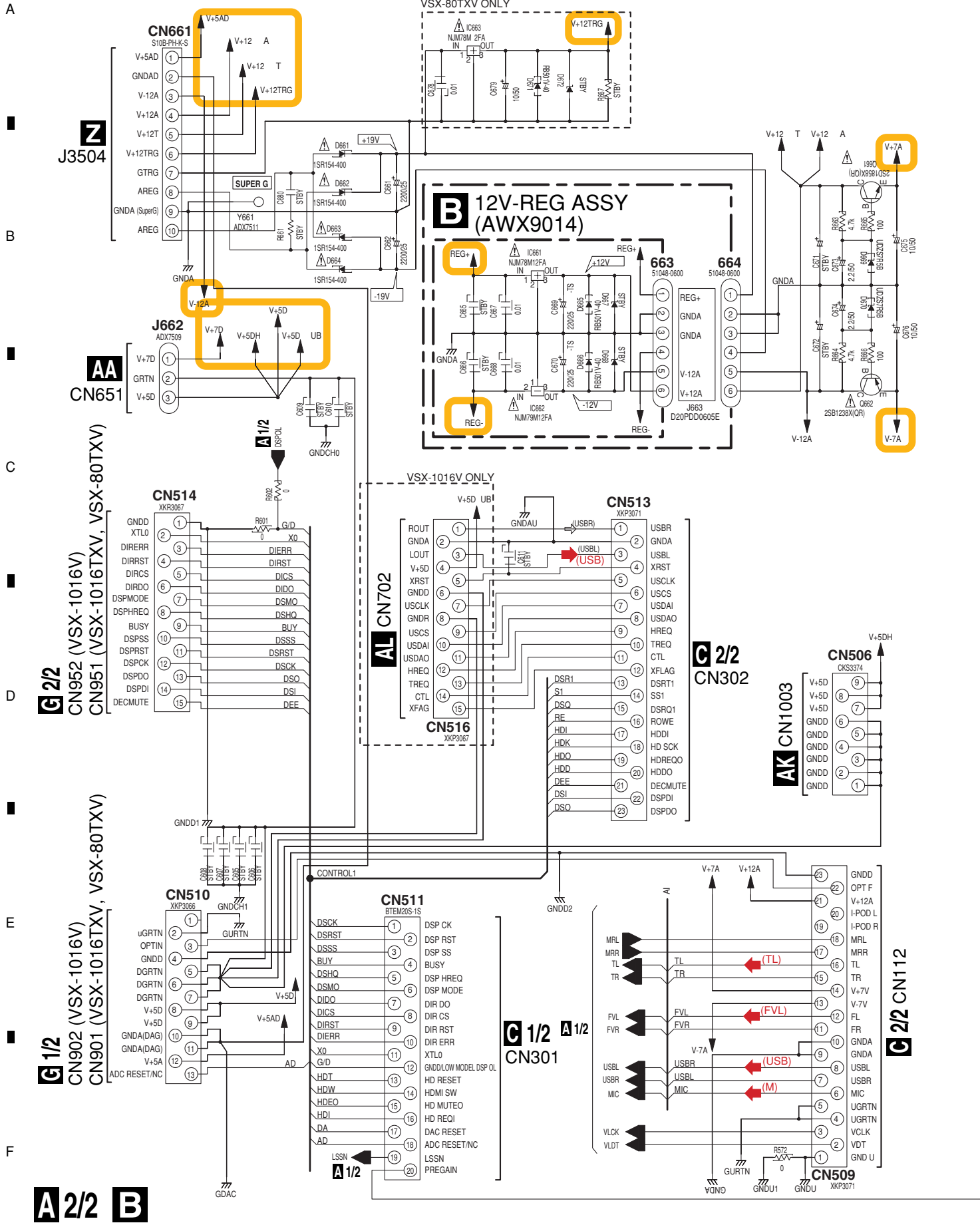
4

A 1/2 AUDIO IN ASSY (VSX-1016V : AWX9022) (VSX-1016TXV : AWX9027) (VSX-80TXV : AWX9088)

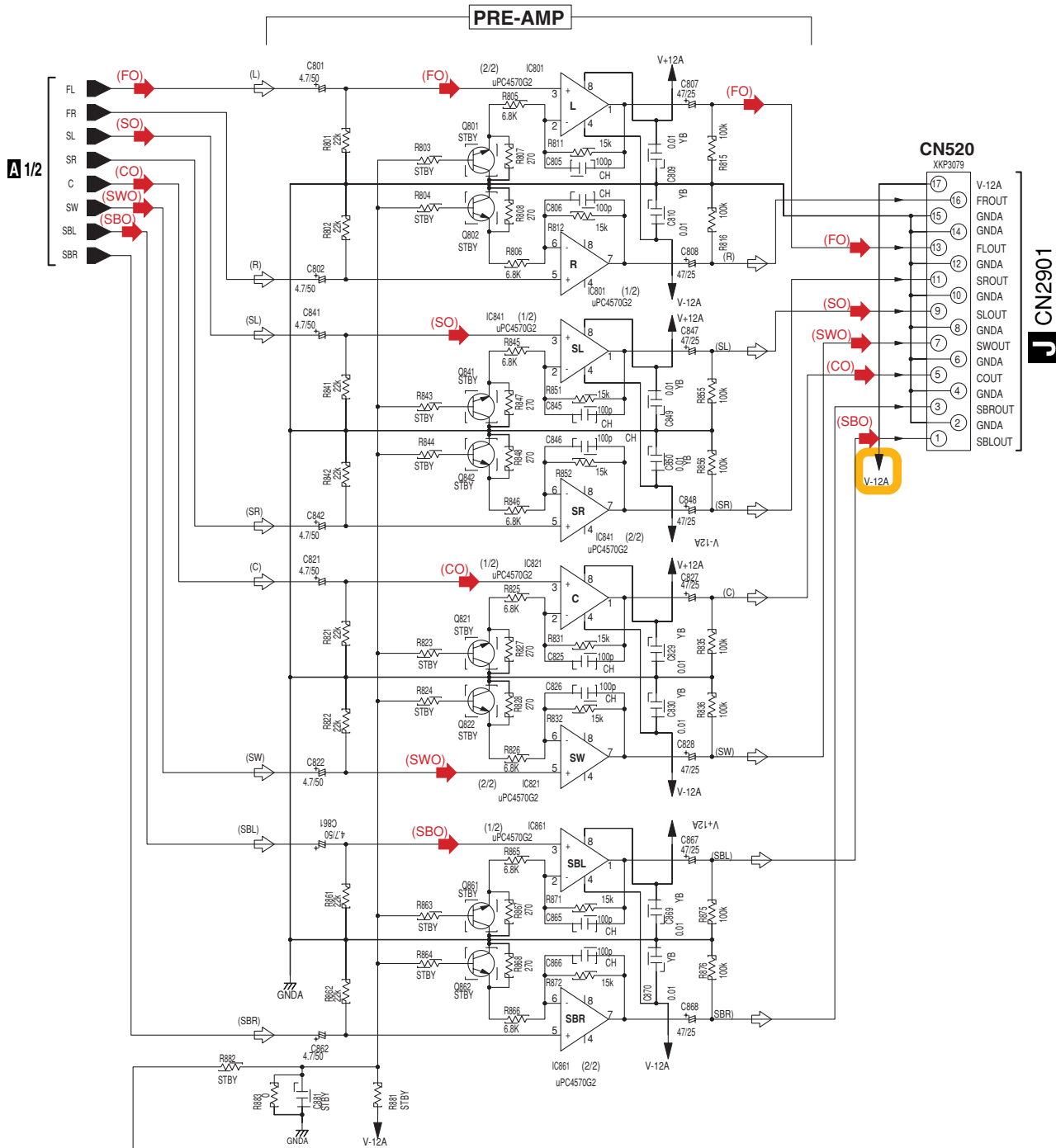
A
B
C
D
E
F



3.5 AUDIO IN (2/2) and 12V-REG ASSYS



A 2/2 AUDIO IN ASSY (VSX-1016V : AWX9022)
 (VSX-1016TXV : AWX9027)
 (VSX-80TXV : AWX9088)



- (L) : Audio Signal Route (L ch)
- (M) : Audio Signal Route (Mic ch)
- (FL) : Audio Signal Route (Front L ch)
- (SL) : Audio Signal Route (Surround L ch)
- (C) : Audio Signal Route (Center ch)
- (SBL) : Audio Signal Route (Surround Back L ch)
- (SW) : Audio Signal Route (SubWoofer ch)

NOTE
 1.RESISTORS
 Unit: k-kΩ, M-MΩ or Ω unless otherwise noted.
 Rated power: 1/16W unless otherwise noted.
 Tolerance: (±) 5% unless otherwise noted.
 2.CAPACITORS
 Unit: p-pF or μF unless otherwise noted.
 Ratings: Capacity(μF)/Voltage(V) unless otherwise noted.
 Rated Voltage: 50V except for electrolytic capacitors.

3.6 MAIN CONTROL ASSY (1/2)

1

2

3

4

A

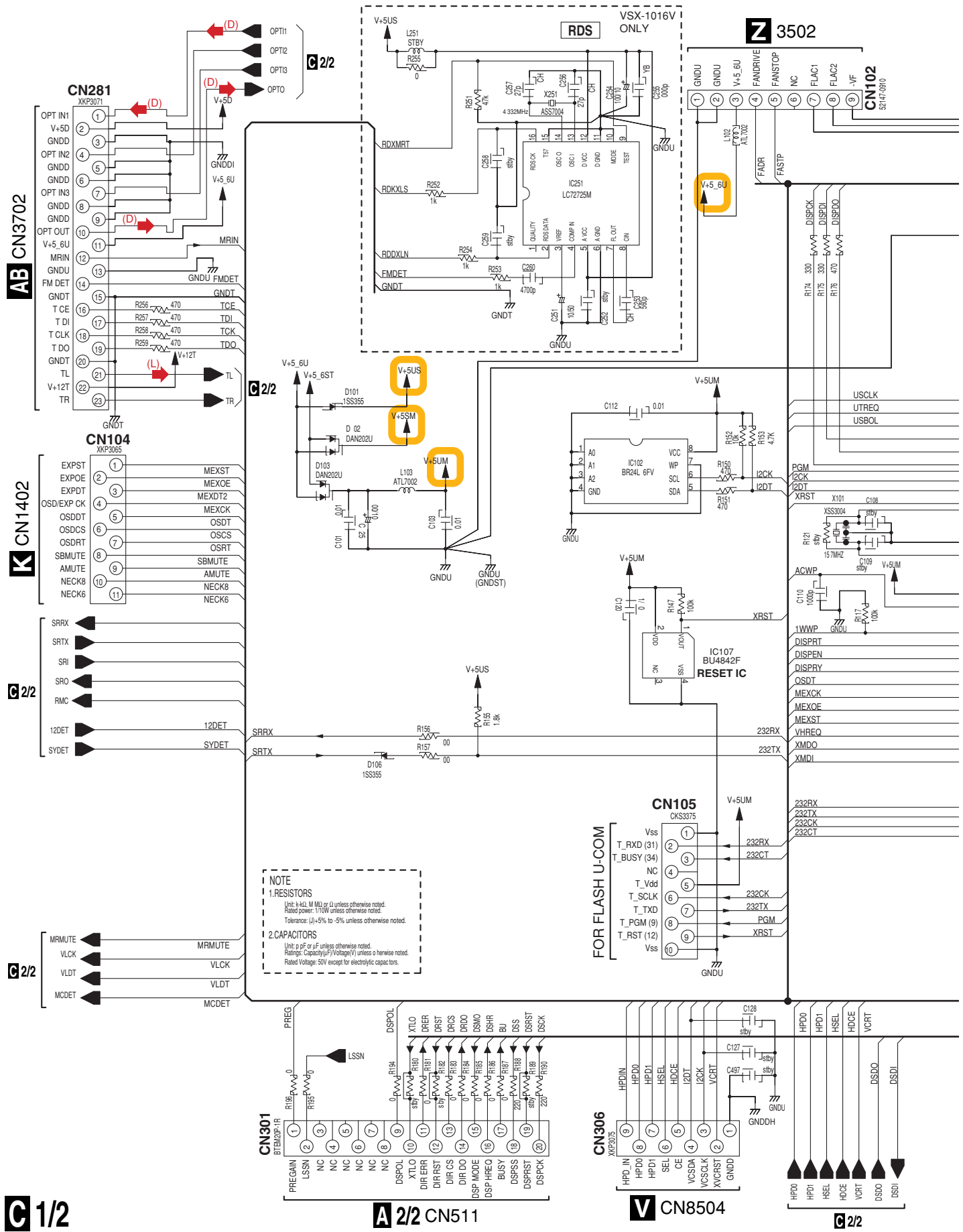
B

C

D

E

F



NOTE

1. RESISTORS
Unit: k=K, M=M or Ω unless otherwise noted.
Rated power: 1/10W unless otherwise noted.
Tolerance: (J)=5% to -5% unless otherwise noted.

2. CAPACITORS
Unit: p=pF or nF unless otherwise noted.
Rating: Capacitance (F) (Voltage) (V) unless otherwise noted.
Rated Voltage: 50V except for electrolytic capacitors.

C 1/2

A 2/2 CN511

V CN8504

G 2/2

1

2

3

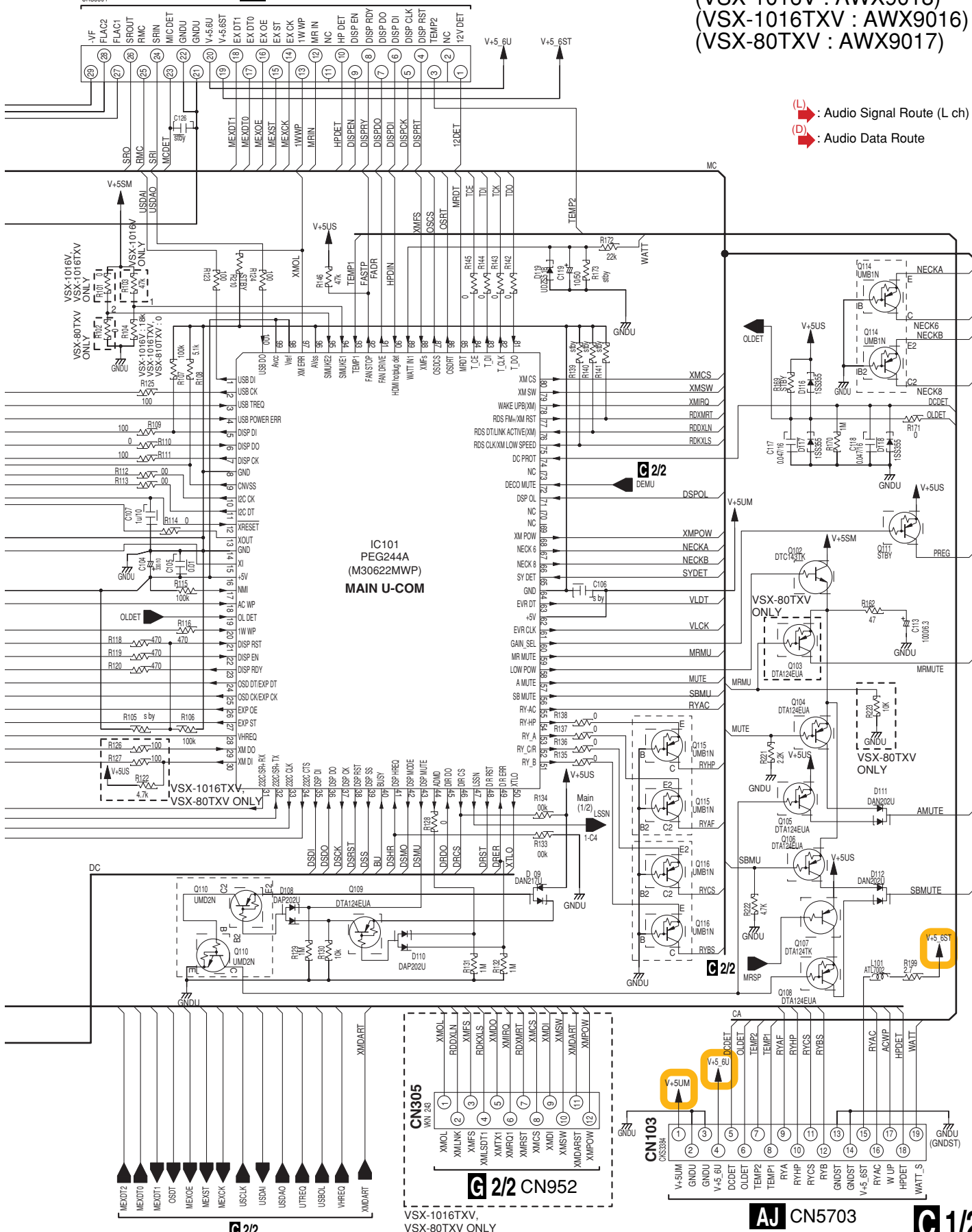
4

G 1/2 MAIN CONTROL ASSY
 (VSX-1016V : AWX9018)
 (VSX-1016TXV : AWX9016)
 (VSX-80TXV : AWX9017)

CN101
 CKS3394

L **CN2301**

(L) : Audio Signal Route (L ch)
(D) : Audio Data Route



A
 B
 C
 D
 E
 F

CN305
 VIN 24

1	XMOL
2	XMLINK
3	XMFS
4	XMFSOT1
5	XMDXO
6	XMR01
7	XMRST
8	XMCXS
9	XMDI
10	XMSW
11	XMDART
12	XMPW

G 2/2 CN952

VSX-1016TXV,
 VSX-80TXV ONLY

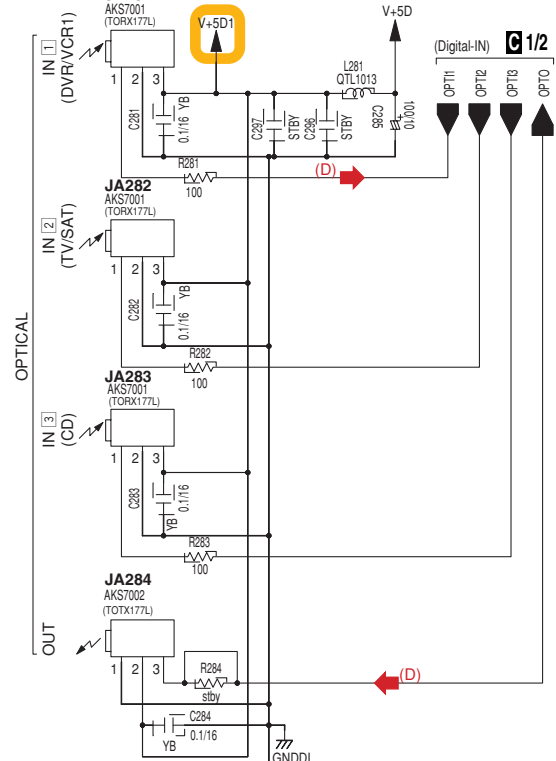
AJ CN5703

G 1/2

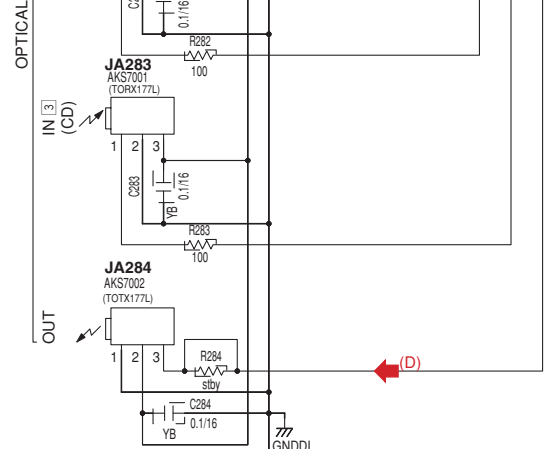
VSX-1016V-K

3.7 MAIN CONTROL (2/2), GUARD-C, F and R ASSYS

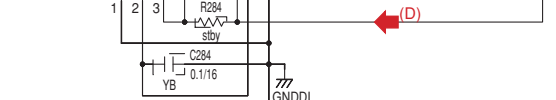
A



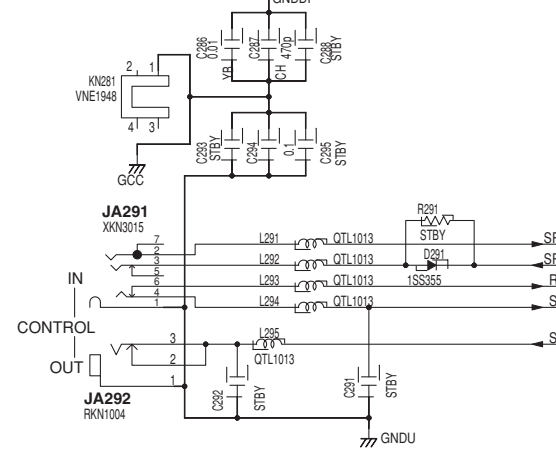
B



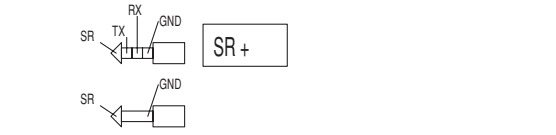
C



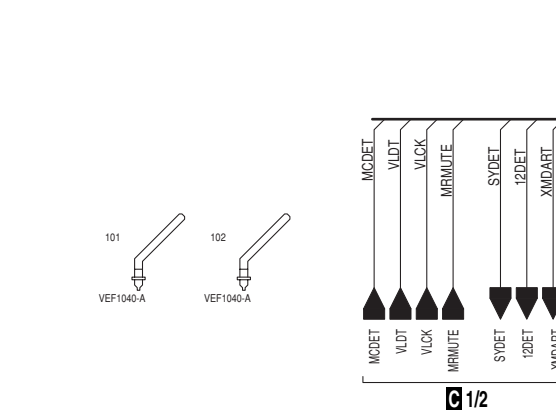
D



E

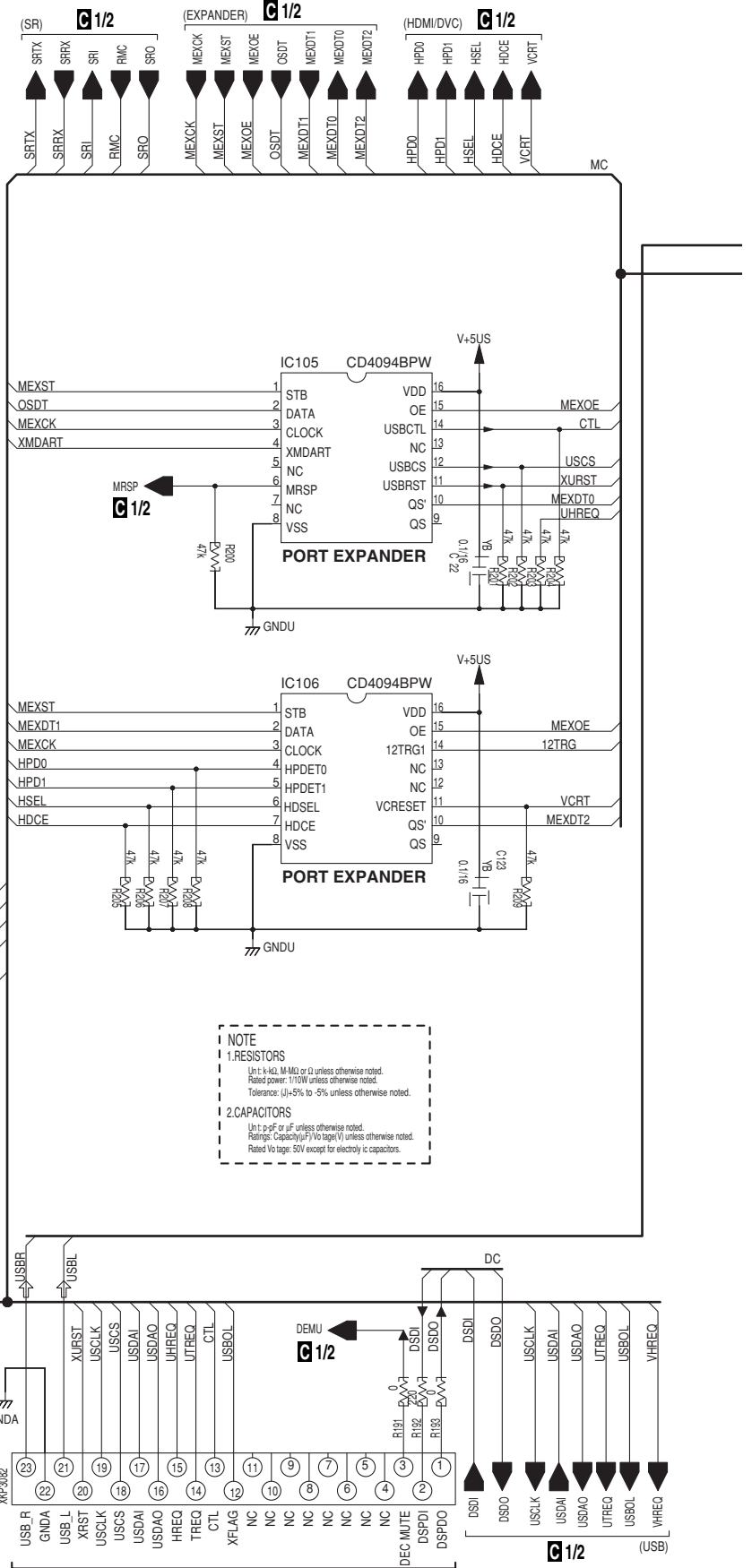


F



C 2/2

A 2/2 CN513

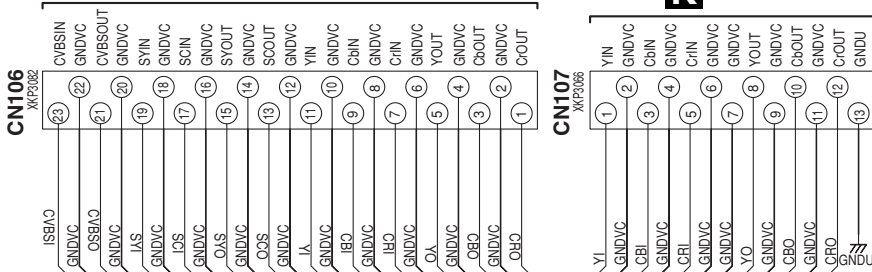


V CN5801

K CN1401

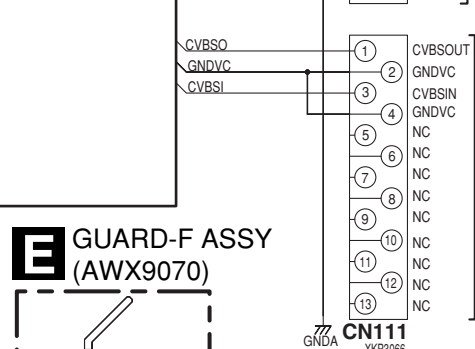
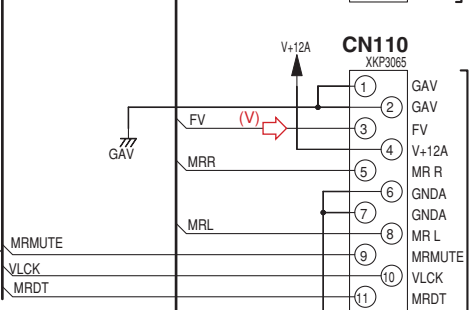
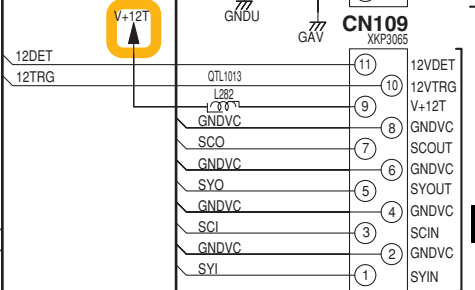
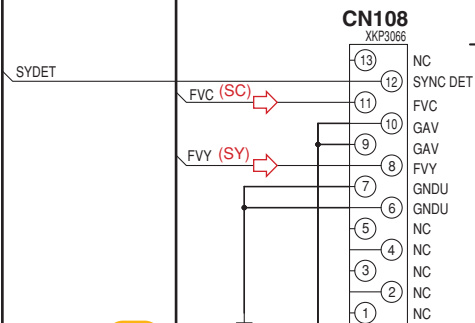
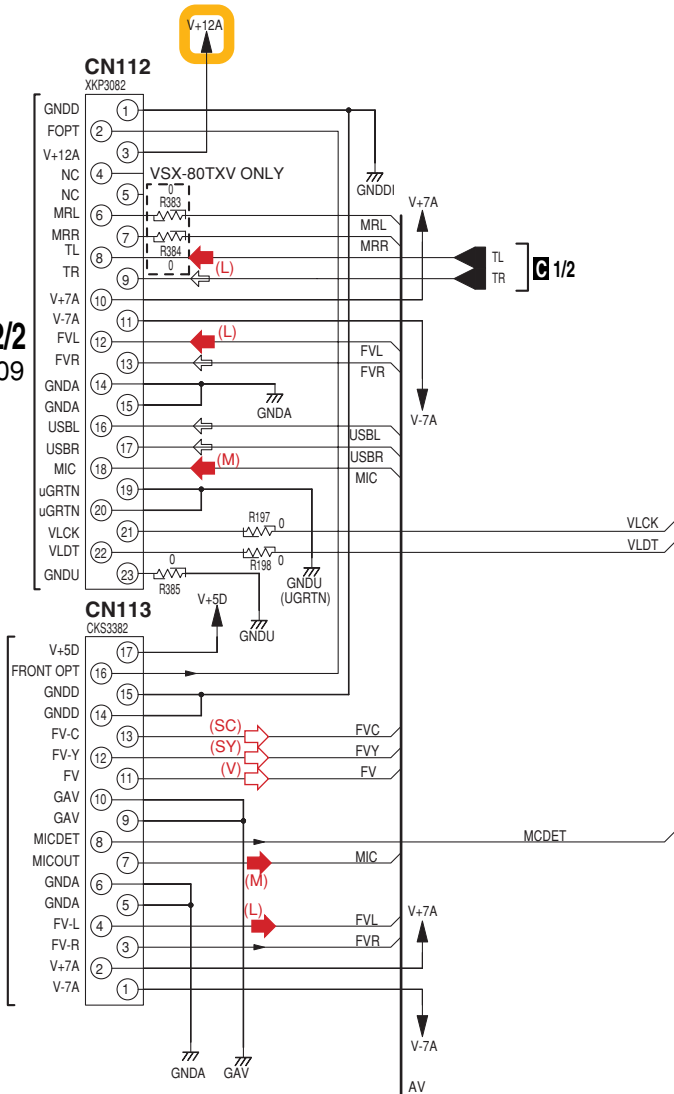
C 2/2

MAIN CONTROL ASSY
(VSX-1016V : AWX9018)
(VSX-1016TXV : AWX9016)
(VSX-80TXV : AWX9017)

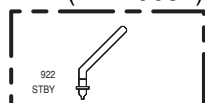


A 2/2
CN509

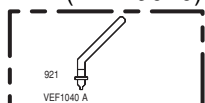
P CN2651



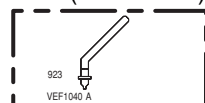
D GUARD-C ASSY (AWX9051)



E GUARD-F ASSY (AWX9070)



F GUARD-R ASSY (AWX9025)



- (L) : Audio Signal Route (L ch)
- (M) : Audio Signal Route (Mic ch)
- (D) : Audio Data Route
- (V) : Video Signal Route
- (SY) : S-Video Signal Route (Y ch)
- (SC) : S-Video Signal Route (C ch)

C 2/2 D E F

3.8 DSP ASSY (1/2)(for VSX-1016V)

G1/2 DSP ASSY (AWX8572)

A

B

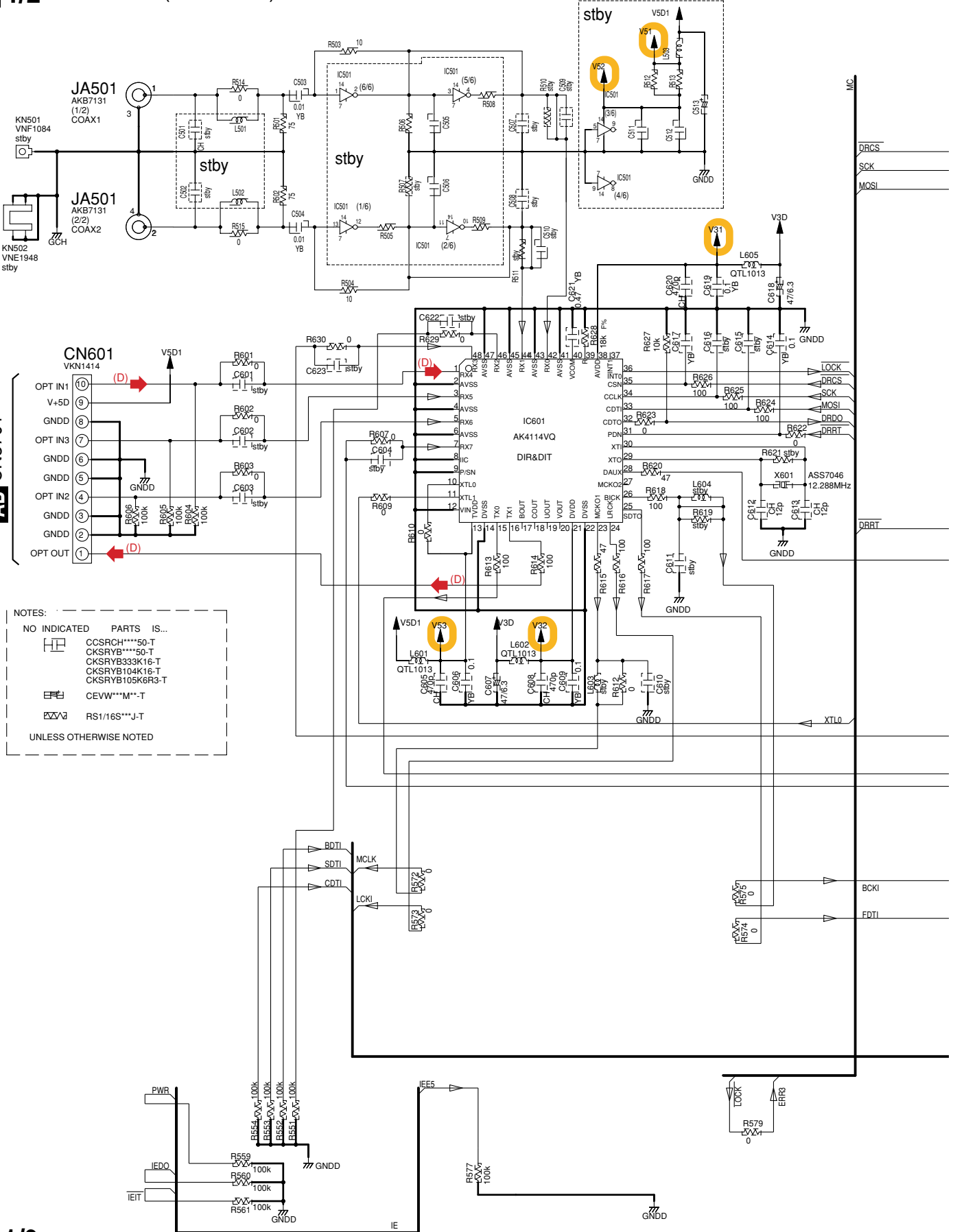
C

D

E

F

AB CN3701



NOTES:

NO INDICATED PARTS IS...

CCSRCH****50-T
CKSRVB****50-T
CKSRVB333K16-T
CKSRVB104K16-T
CKSRVB105K6R3-T

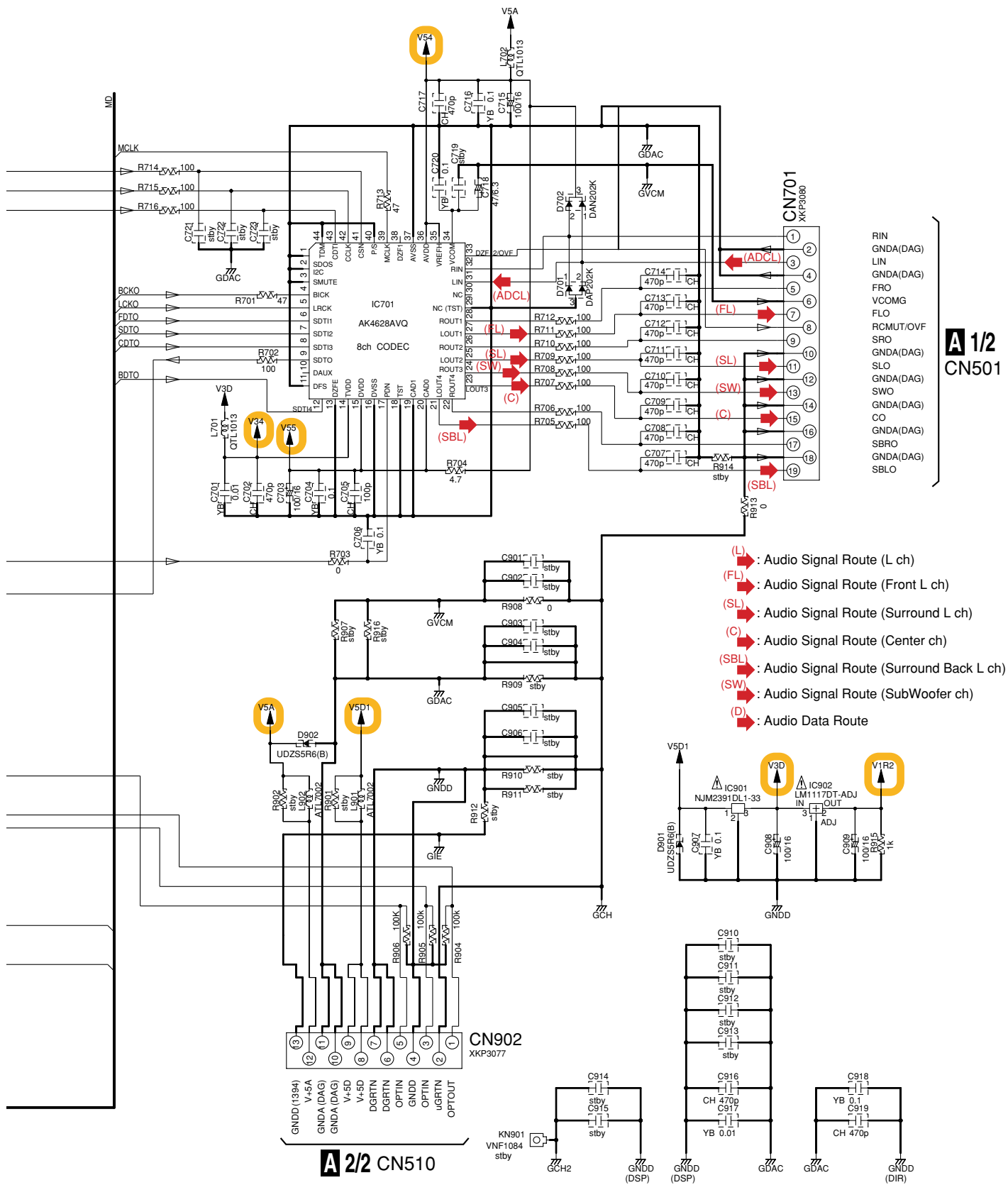
CEVW***M**T

RS1/16S***J-T

UNLESS OTHERWISE NOTED

G1/2

A
B
C
D
E
F



- RIN
GNDA(DAG)
LIN
GNDA(DAG)
FRO
VCOMG
FLO
RCMUT/OV
SRO
GNDA(DAG)
SLO
GNDA(DAG)
SWO
GNDA(DAG)
CO
GNDA(DAG)
SBRO
GNDA(DAG)
SBLO

A 1/2
CN501

- (L) : Audio Signal Route (L ch)
- (FL) : Audio Signal Route (Front L ch)
- (SL) : Audio Signal Route (Surround L ch)
- (C) : Audio Signal Route (Center ch)
- (SBL) : Audio Signal Route (Surround Back L ch)
- (SW) : Audio Signal Route (SubWoofer ch)
- (D) : Audio Data Route

A 2/2 CN510

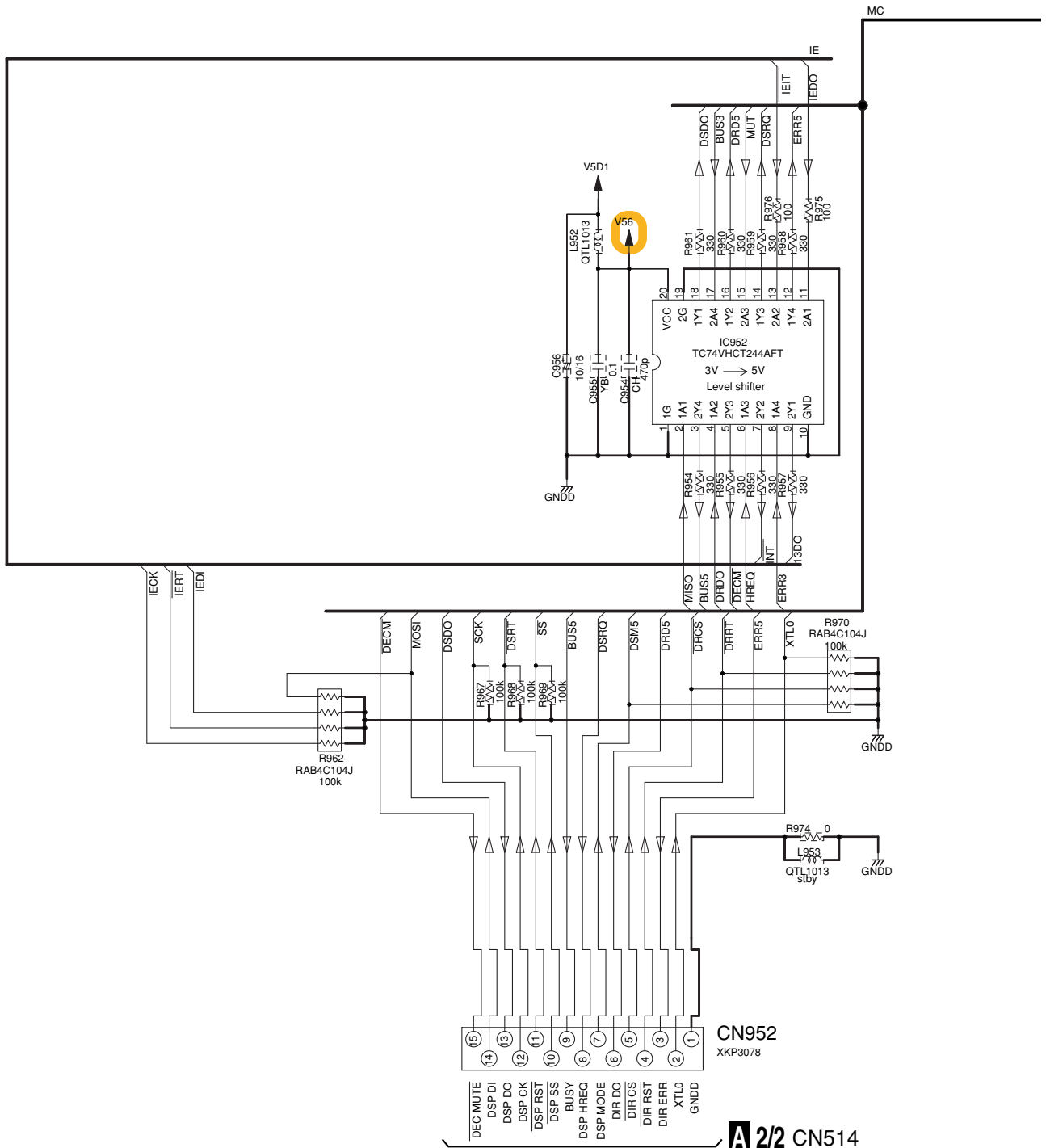
CN902
XKP3077

KN901
VNF1084

G 1/2

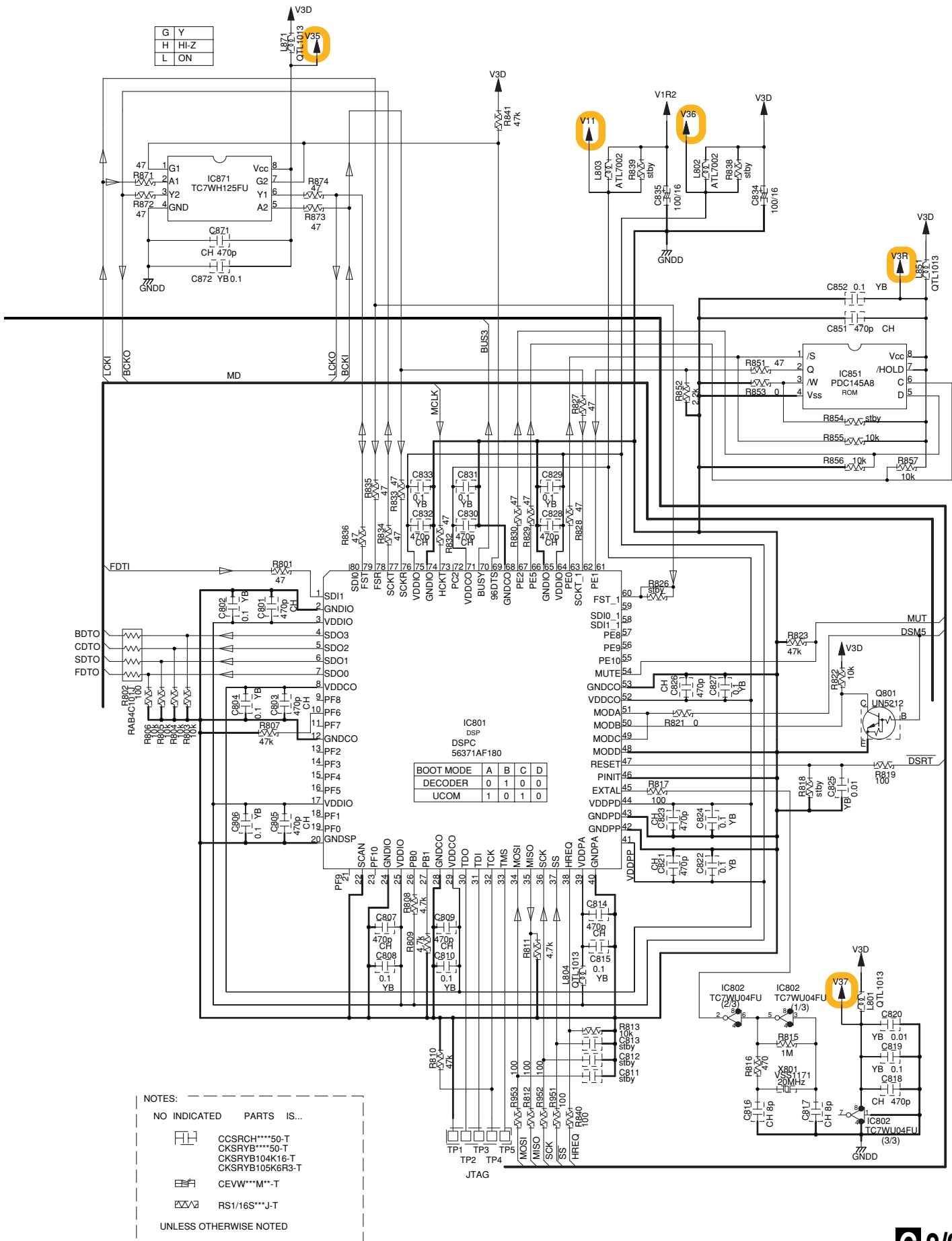
3.9 DSP ASSY (2/2)(for VSX-1016V)

G 2/2 DSP ASSY (AWX8572)



G 2/2

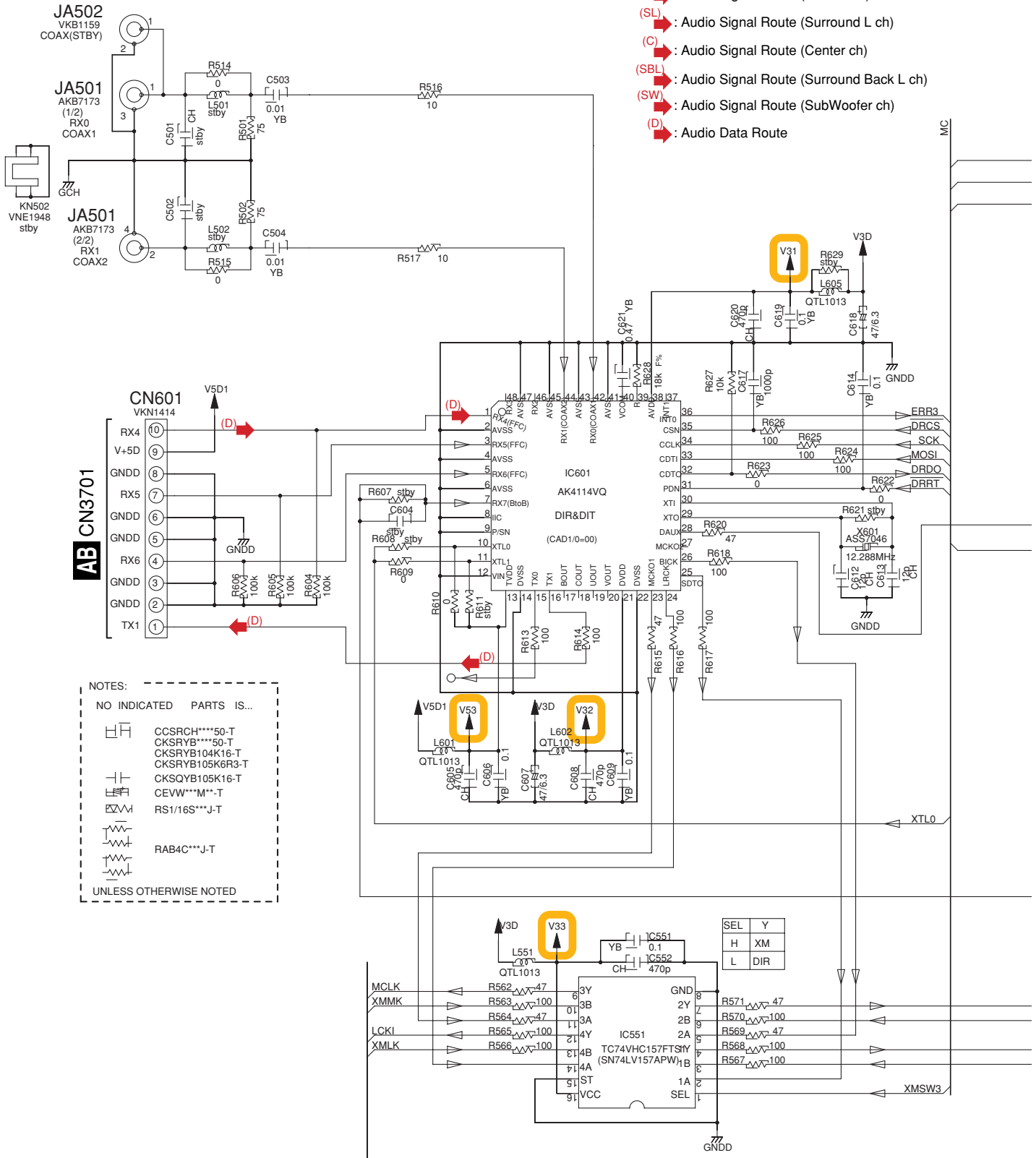
A 2/2 CN514

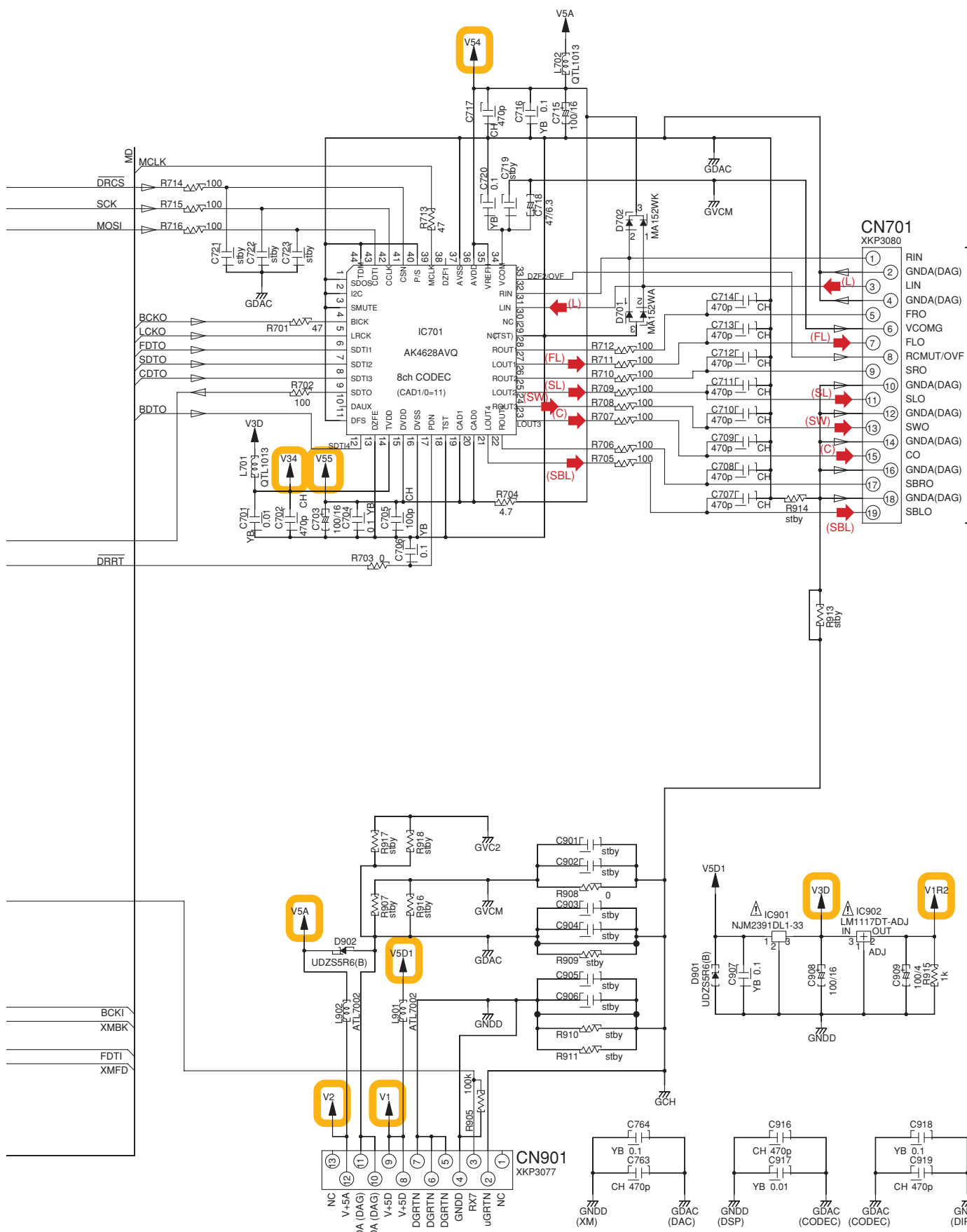


3.10 DSP ASSY (1/2)(for VSX-1016TXV and VSX-80TXV)

G1/2 DSP ASSY (AWX8699)

- (L) : Audio Signal Route (L ch)
- (FL) : Audio Signal Route (Front L ch)
- (SL) : Audio Signal Route (Surround L ch)
- (C) : Audio Signal Route (Center ch)
- (SBL) : Audio Signal Route (Surround Back L ch)
- (SW) : Audio Signal Route (SubWoofer ch)
- (D) : Audio Data Route





A 1/2 CN501

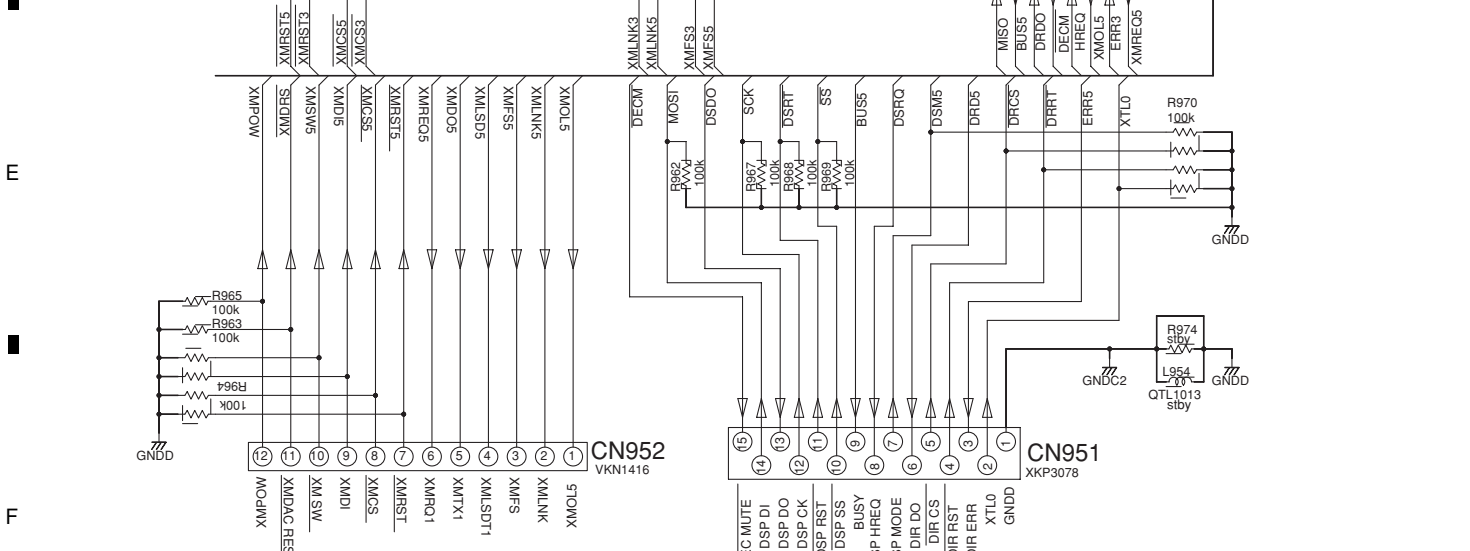
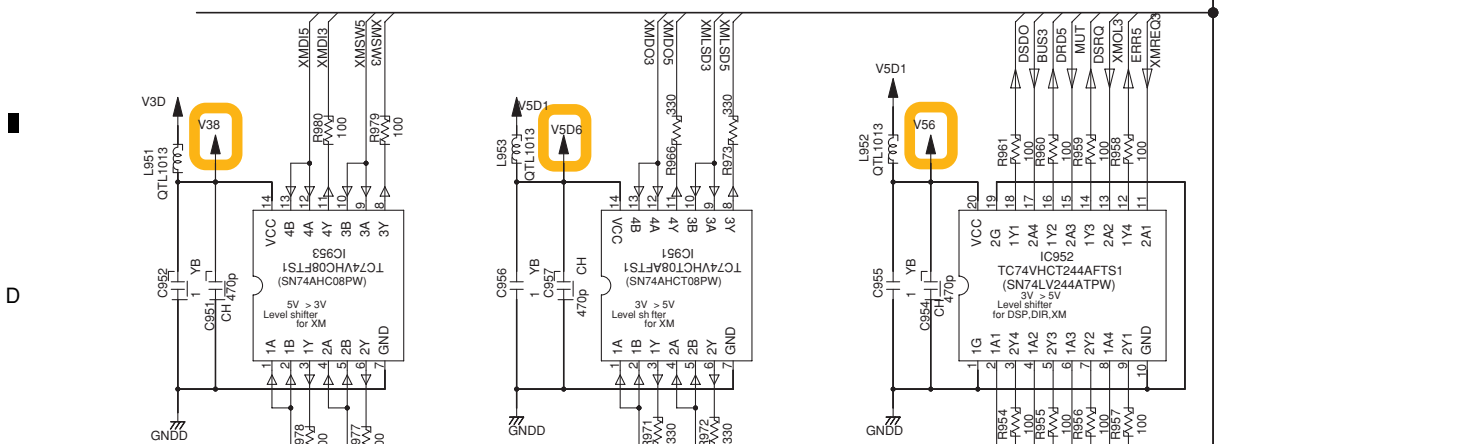
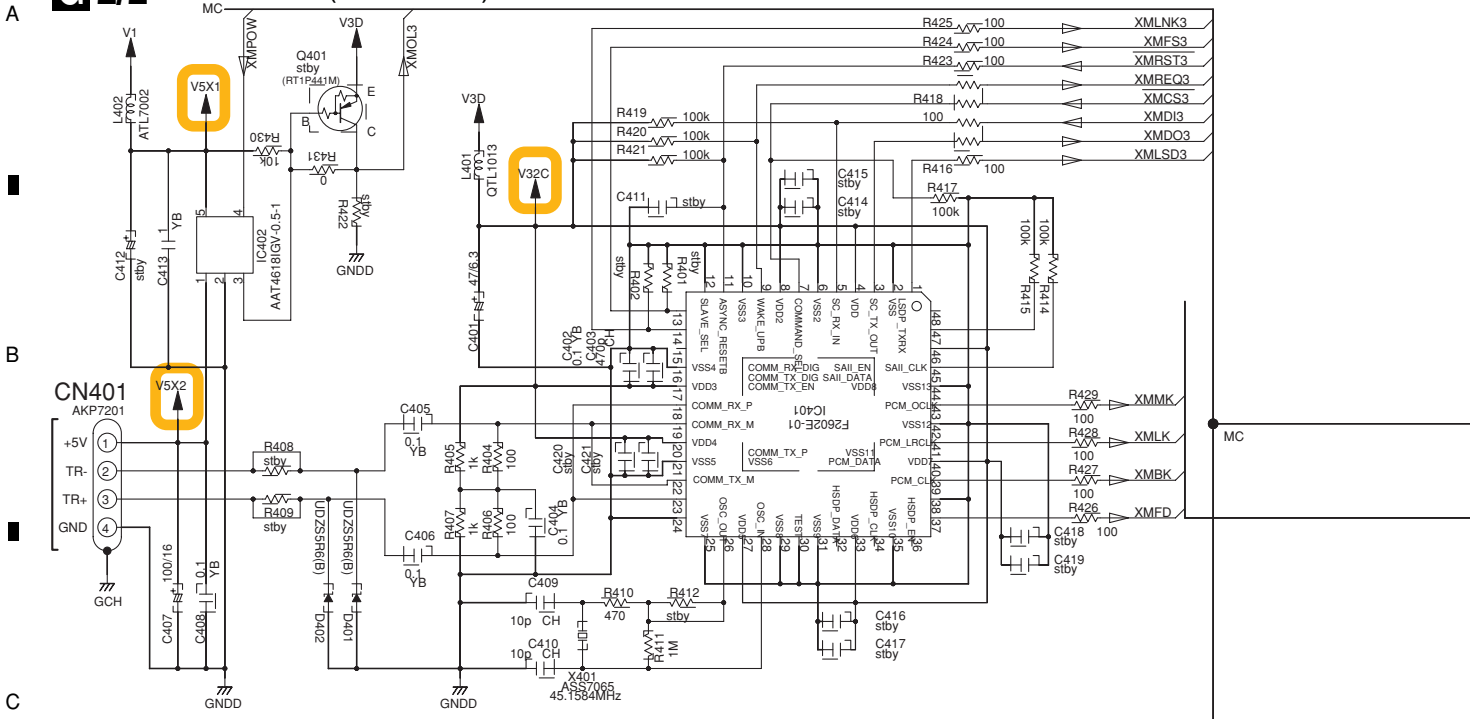
A 2/2 CN510

G 1/2

VSX-1016V-K

3.11 DSP ASSY (2/2)(for VSX-1016TXV and VSX-80TXV)

G 2/2 DSP ASSY (AWX8699)



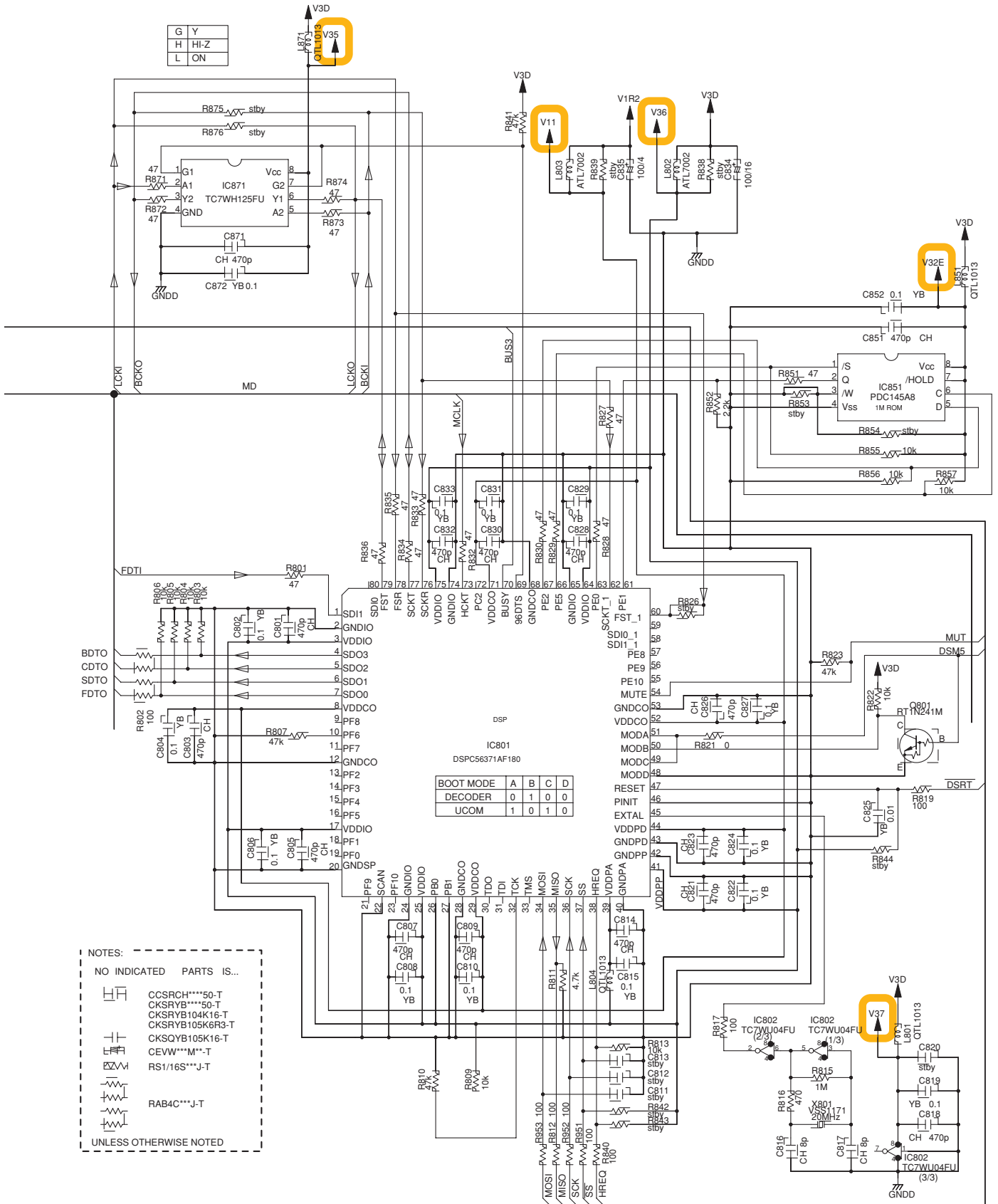
G 2/2

C 1/2 CN305

A 2/2 CN514




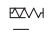


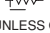

VSX-1016V-K

A
B
C
D
E
F



NOTES:

NO INDICATED PARTS IS...

 CCSRCH***50-T
 CKSRVB***50-T
 CKSRVB104K16-T
 CKSRVB105K6R3-T
 CKSQYB105K16-T
 CEVW***M*-T
 RS1/16S***J-T
 RAB4C***J-T

UNLESS OTHERWISE NOTED

3.12 COMPOSITE ASSY

COMPOSITE ASSY
 (VSX-1016V, VSX-1016TXV : AWX9089)
 (VSX-80TXV : AWX9090)

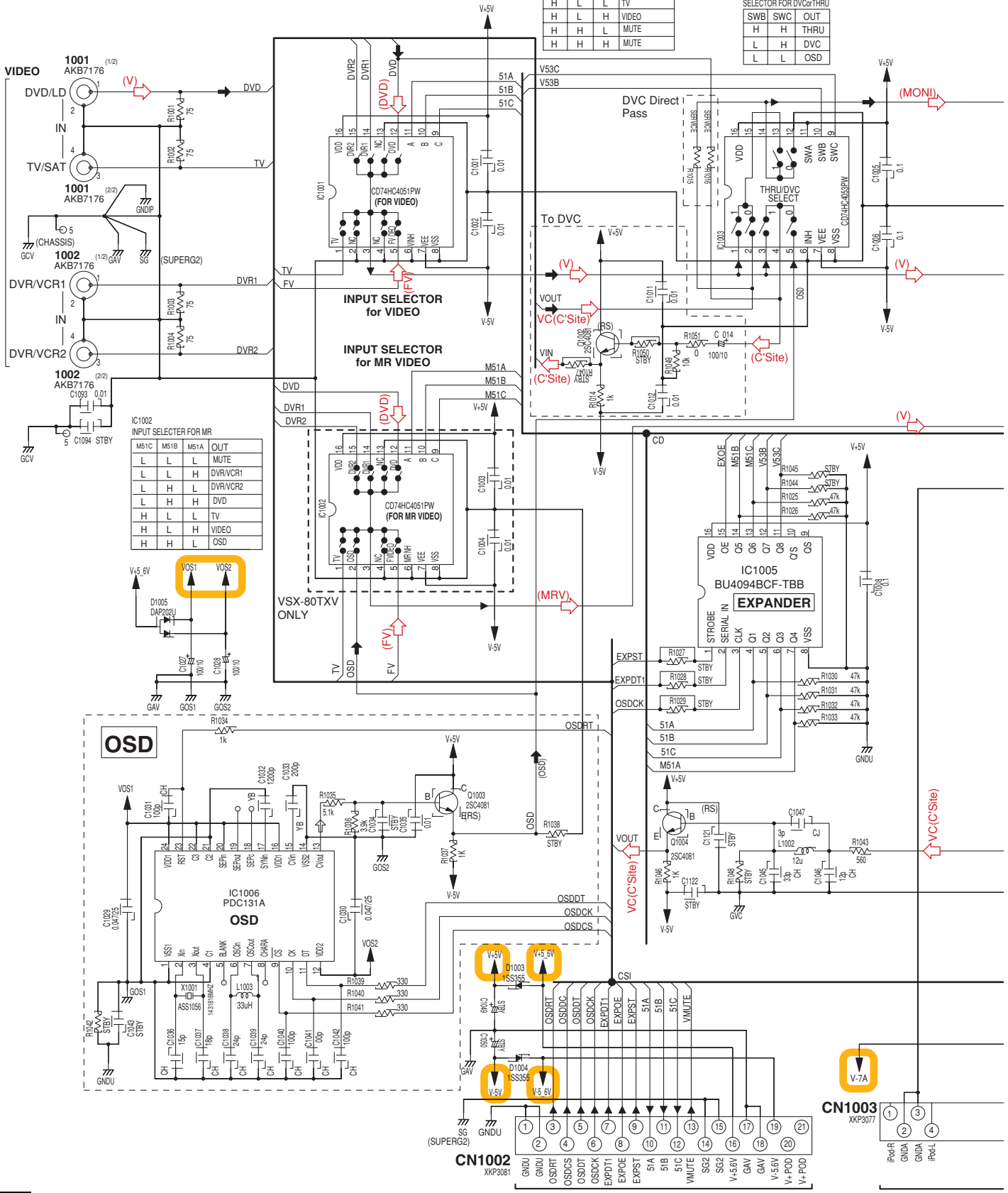
A
B
C
D
E
F

IC1001 INPUT SELECTOR FOR VIDEO

51C	51B	51A	OUT
L	L	L	MUTE
L	L	H	DVR/VCR1
L	H	L	DVR/VCR2
L	H	H	DVD
H	L	L	TV
H	L	H	VIDEO
H	H	L	MUTE
H	H	H	MUTE

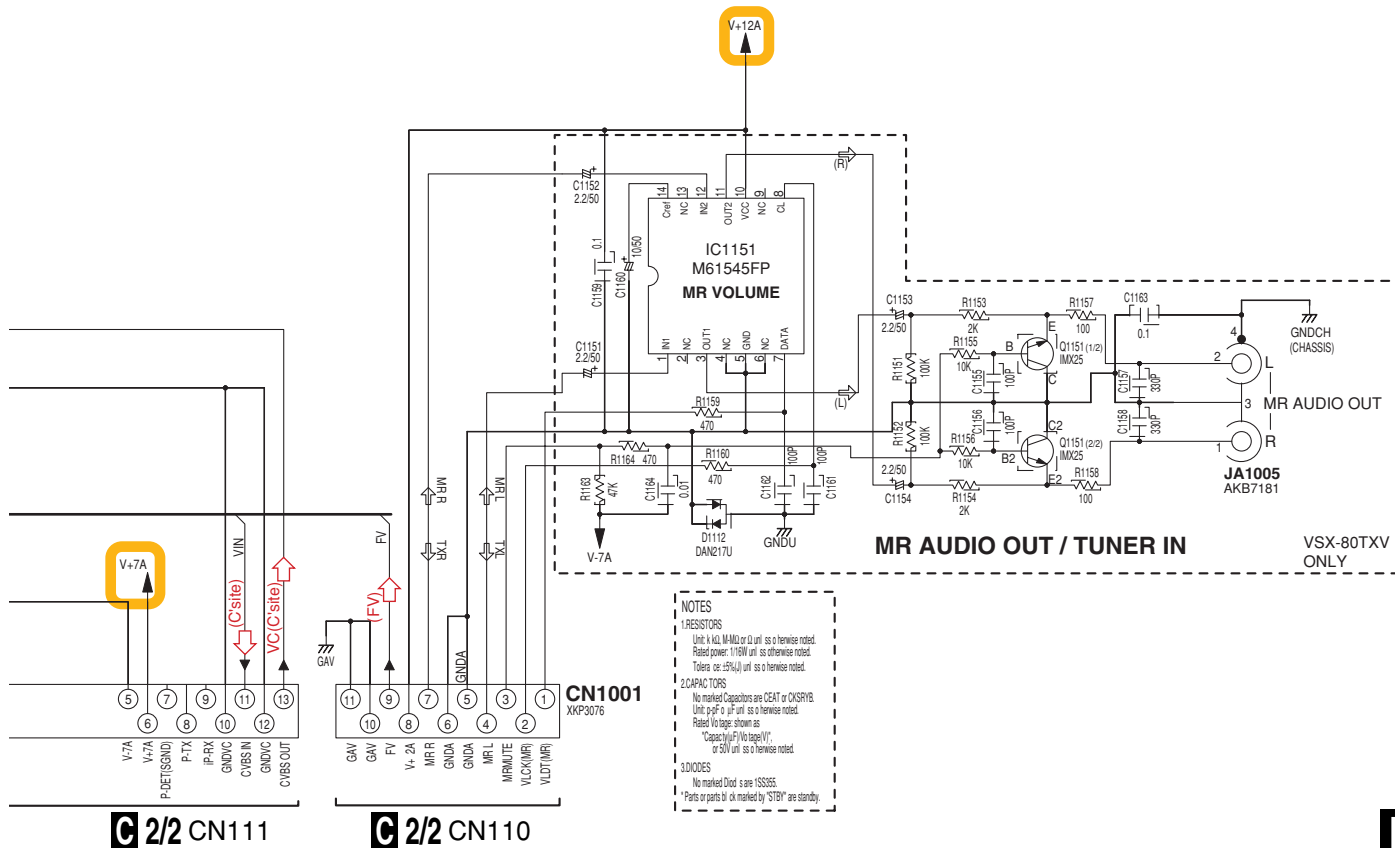
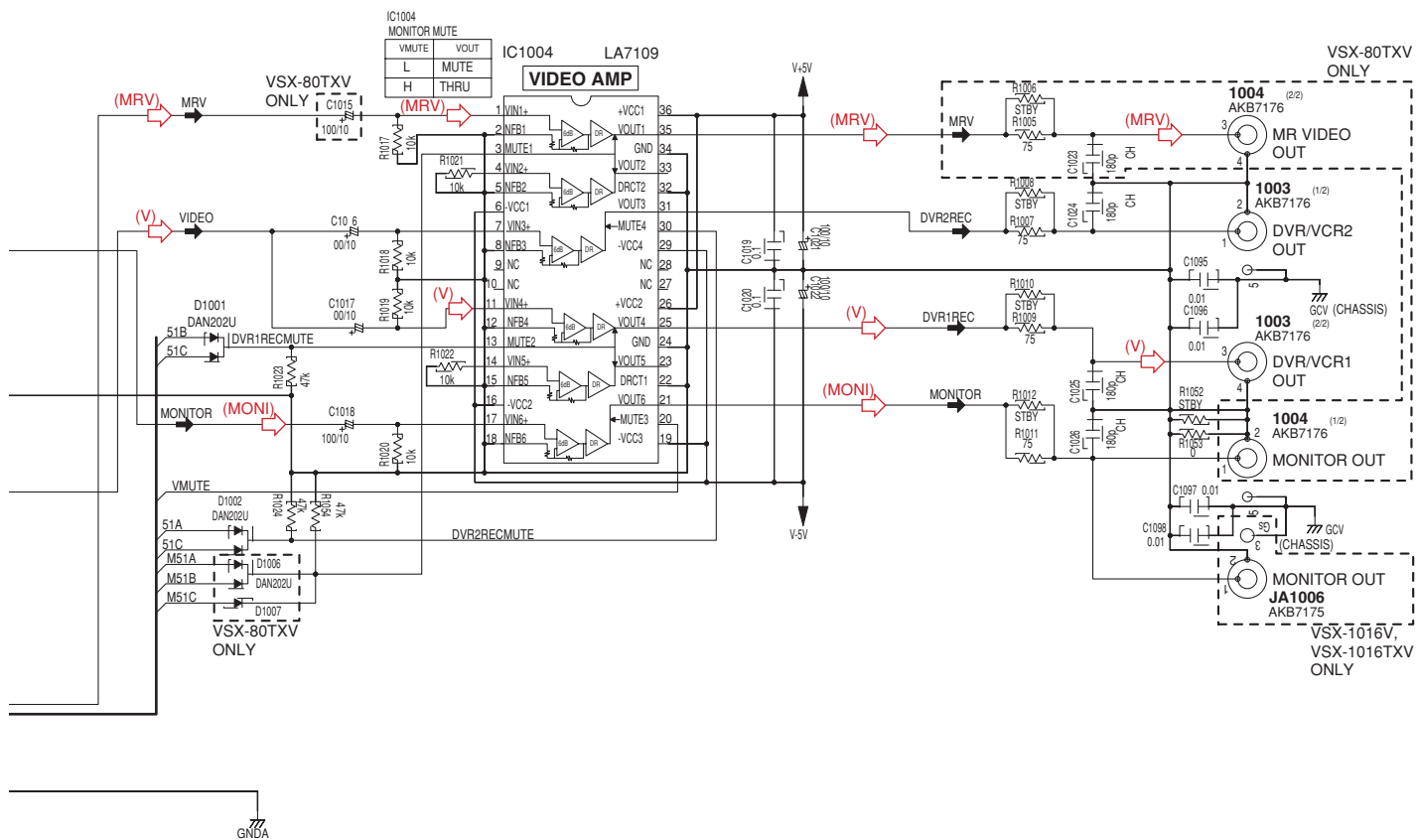
IC1003 SELECTOR FOR DVC&THRU

SWB	SWC	OUT
H	H	THRU
L	H	DVC
L	L	OSD



AC CN3802

Video Signal Route



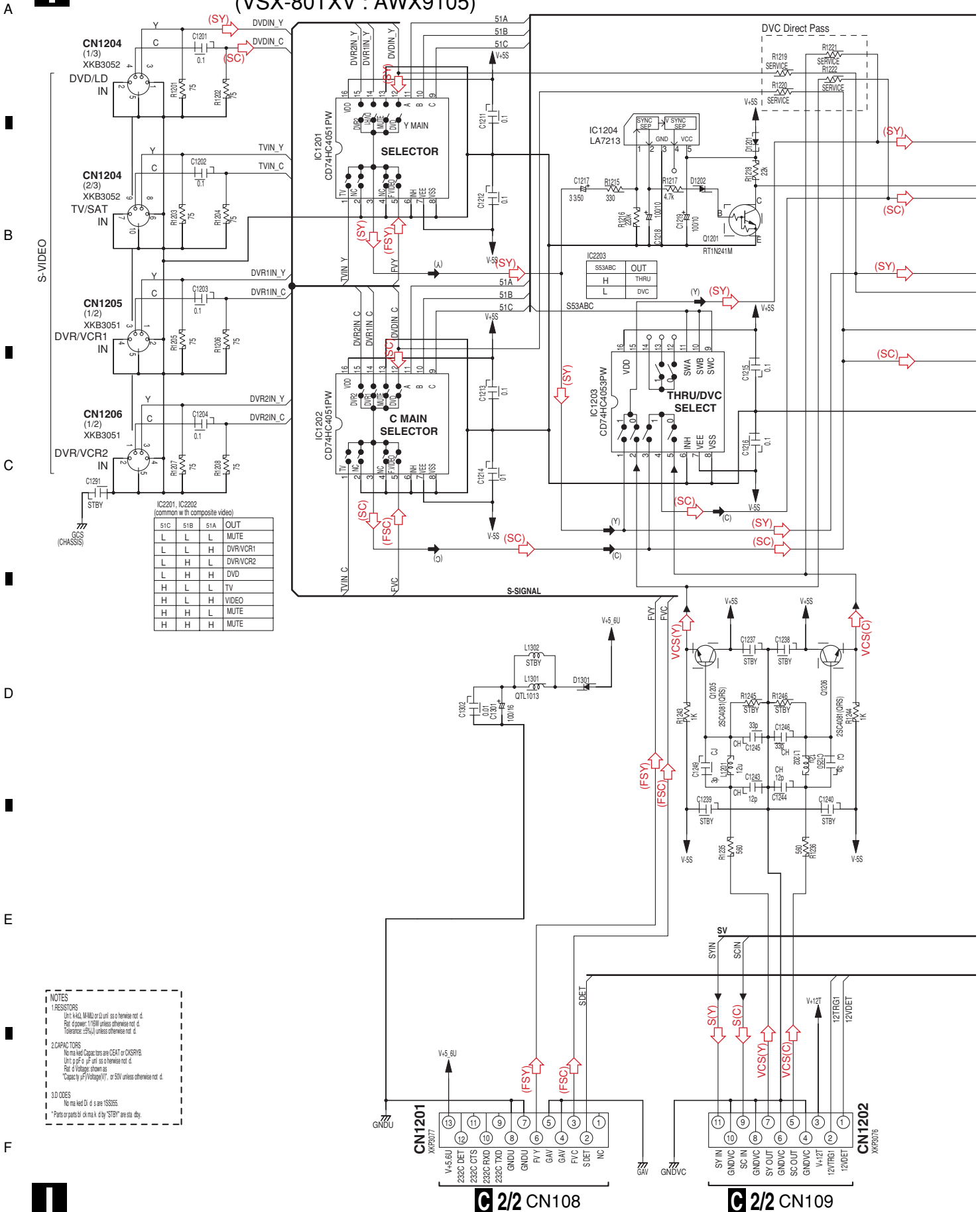
2/2 CN111

2/2 CN110

VSX-1016V-K

3.13 S-VIDEO and BRIDGE 2 ASSYS

S-VIDEO ASSY (VSX-1016V, VSX-1016TXV : AWX9099) (VSX-80TXV : AWX9105)



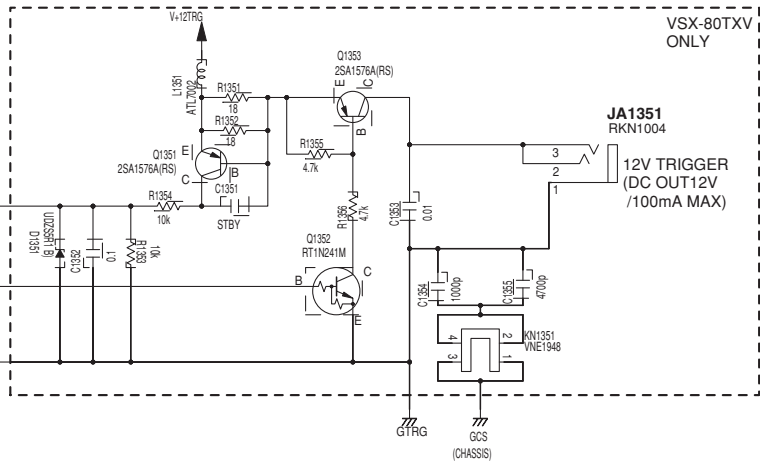
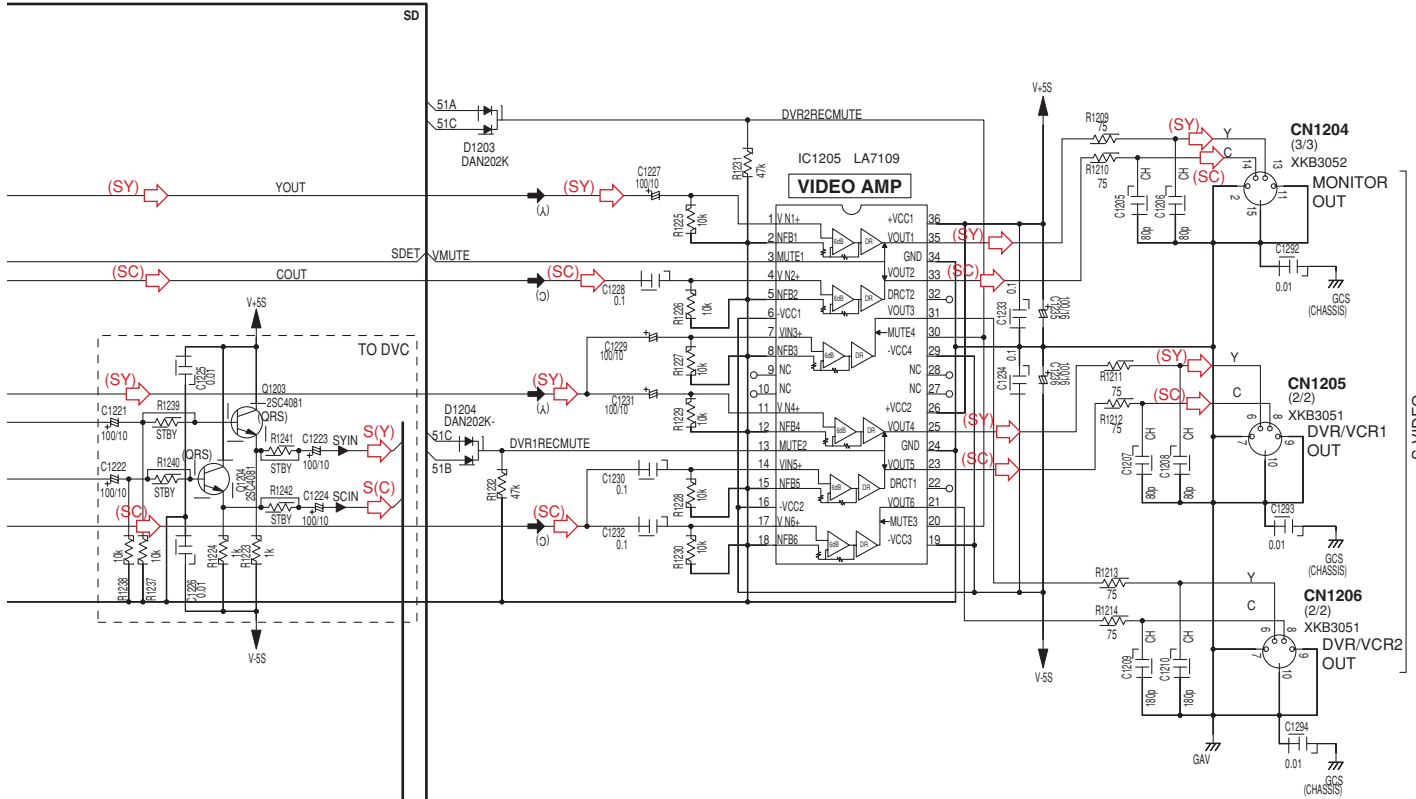
NOTES

1. RESISTORS
 1/4W ±1% M/M/O or 1/2W ±5% as a hermetic rot. d.
 1/4W ±5% ±1% unless otherwise not. d.
 2. CAPACITORS
 No metal Capacitors are CEAT or CINSRV.
 3. D. CODES
 No metal DI d. s are 1SS355.
 *Parts or parts list of "STBY" are sta. ddy.

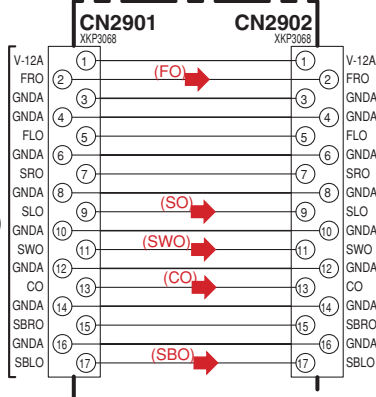
C 2/2 CN108

C 2/2 CN109

VSX-1016V-K

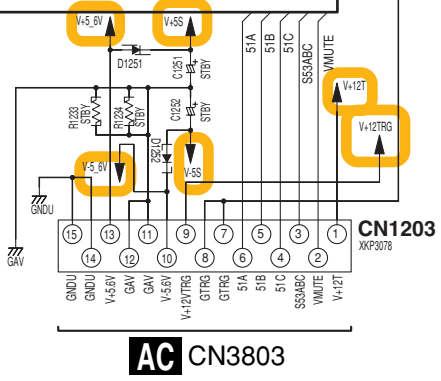


J BRIDGE 2 ASSY (AWX9050)



- (FL) : Audio Signal Route (Front L ch)
- (SL) : Audio Signal Route (Surround L ch)
- (C) : Audio Signal Route (Center ch)
- (SBL) : Audio Signal Route (Surround Back L ch)
- (SW) : Audio Signal Route (SubWoofer ch)
- (SY) : S-Video Signal Route (Y ch)
- (SC) : S-Video Signal Route (C ch)

K CN1405



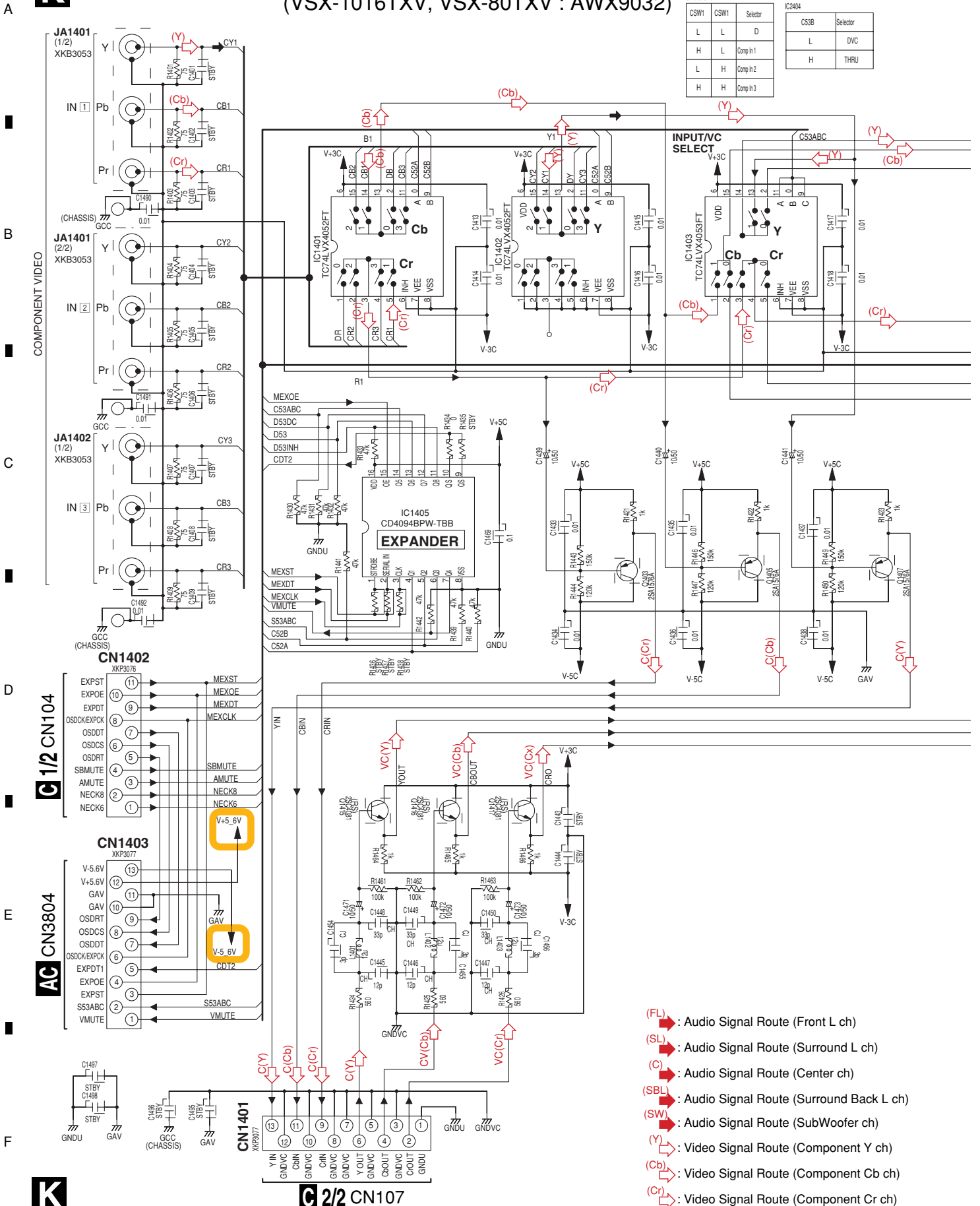
AC CN3803

A 2/2 CN520

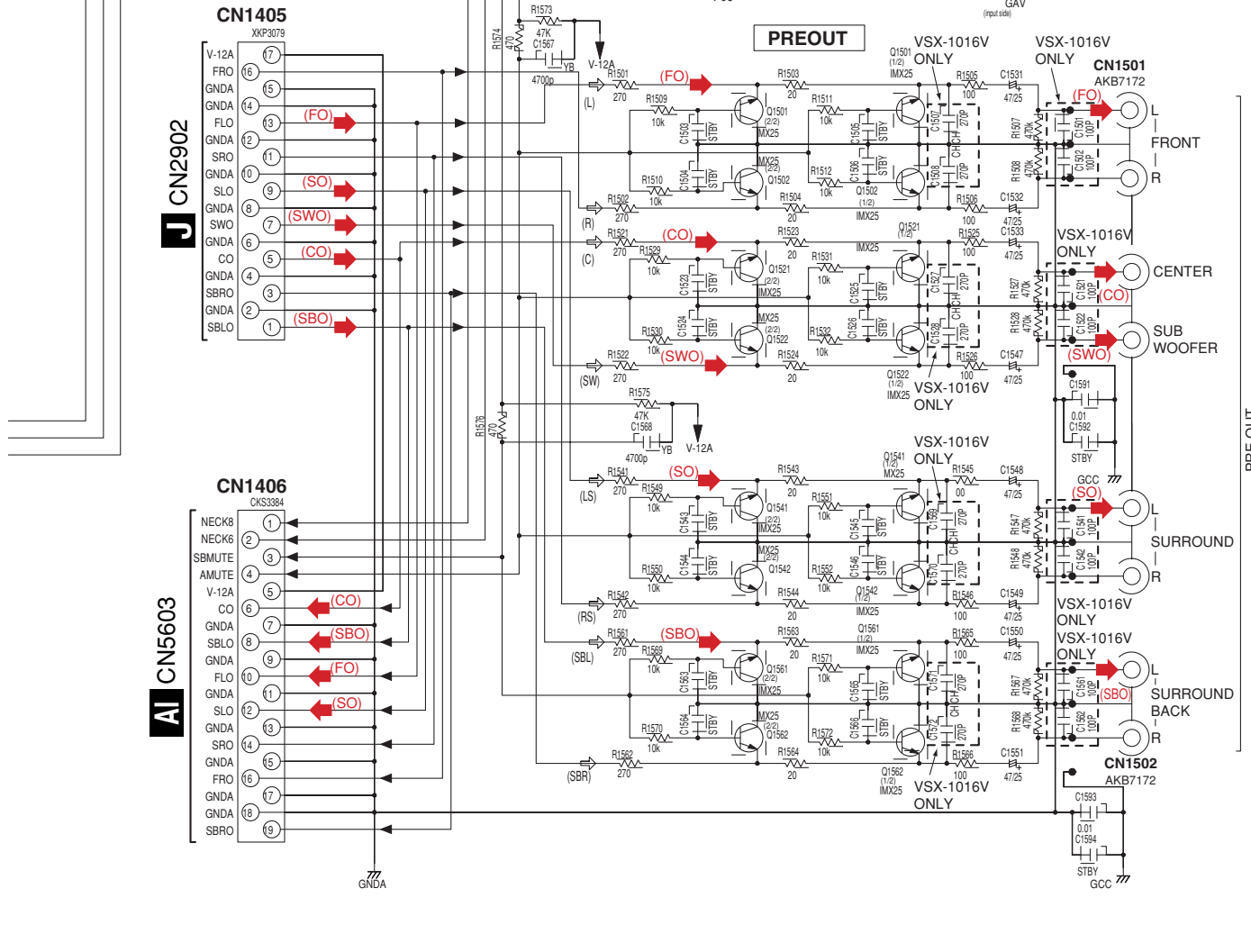
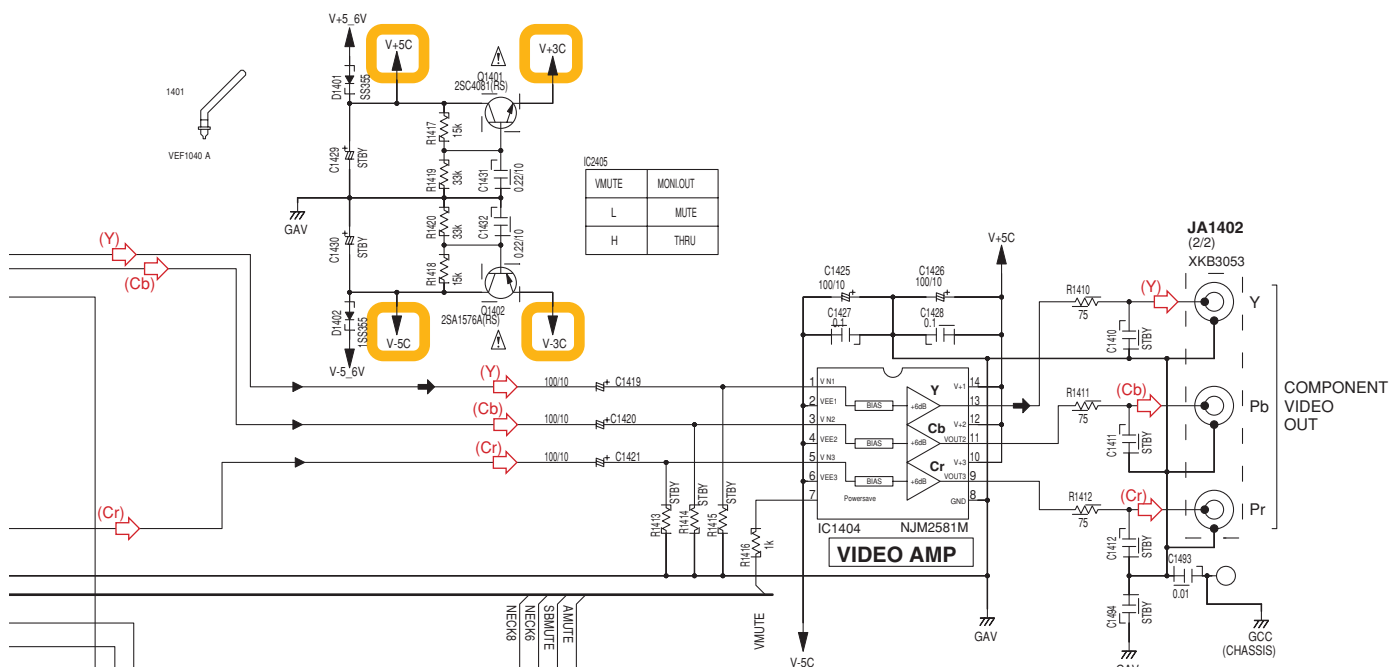
3.14 COMPONENT ASSY

K COMPONENT ASSY (VSX-1016V : AWX9031) (VSX-1016TXV, VSX-80TXV : AWX9032)

IC2491 & IC2492			IC2404	
CSW1	CSW1	Selector	C35B	Selector
L	L	D	L	DVC
H	L	Comp In 1	L	THRU
L	H	Comp In 2	H	THRU
H	H	Comp In 3		



- (FL) : Audio Signal Route (Front L ch)
- (SL) : Audio Signal Route (Surround L ch)
- (C) : Audio Signal Route (Center ch)
- (SBL) : Audio Signal Route (Surround Back L ch)
- (SW) : Audio Signal Route (SubWoofer ch)
- (Y) : Video Signal Route (Component Y ch)
- (Cb) : Video Signal Route (Component Cb ch)
- (Cr) : Video Signal Route (Component Cr ch)



NOTES

RESISTORS
 Unit: K=K, M=M, Ω=Ω unless otherwise noted.
 1/8W, 1/10W, 1/16W, 1/32W, 1/50W, 1/100W unless otherwise noted.
 250°C unless otherwise noted.

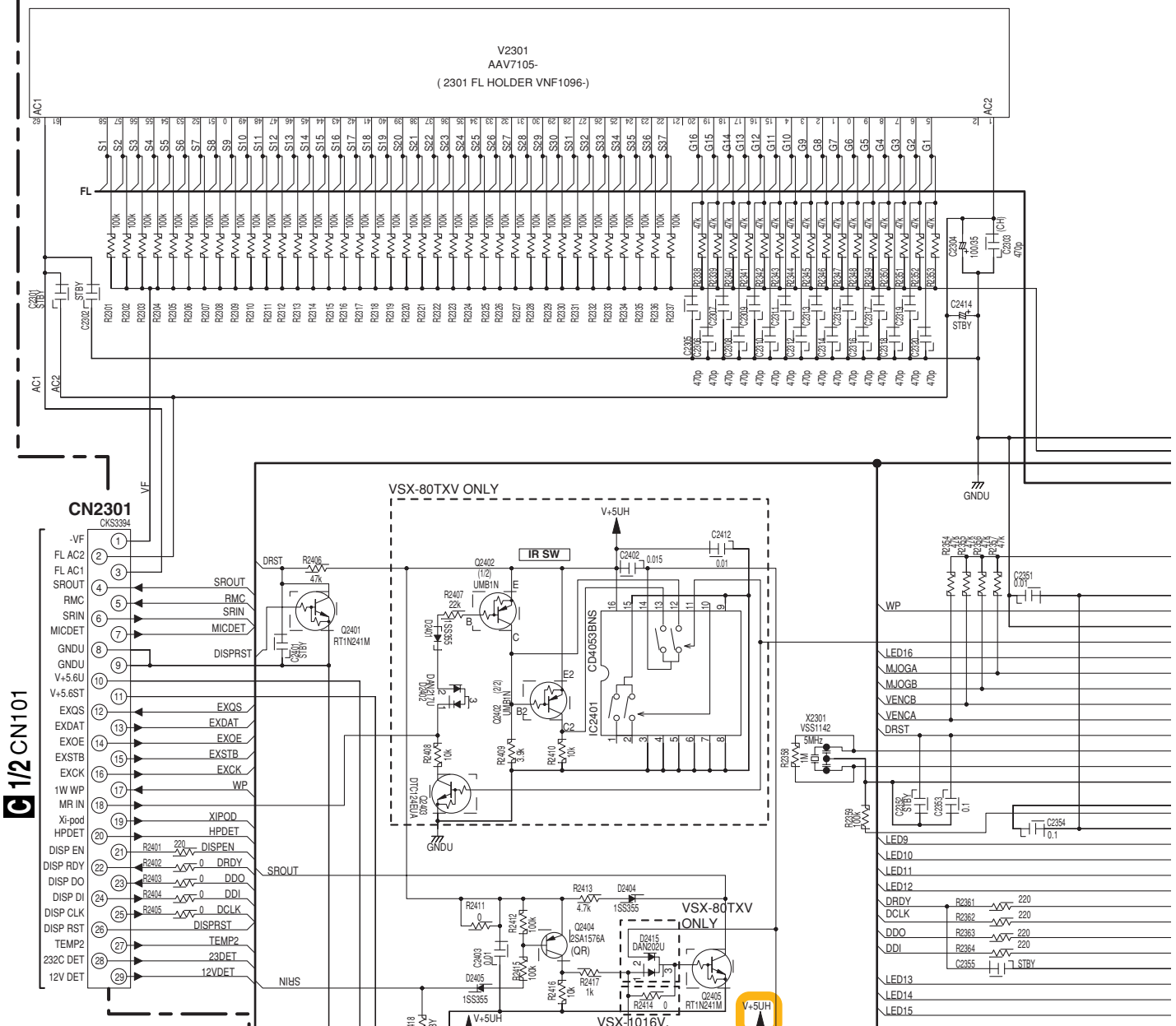
CAPACITORS
 No mark of Capacitors are CEAT or OXSRVB unless otherwise noted.
 Rated Voltage shown in Capacitor Voltage/V or 50V unless otherwise noted.

2-DIGIT CODES
 No mark of DI does not mean IS 325.
 Parts or parts of it may be lead by "STBY" or "sta. dly."

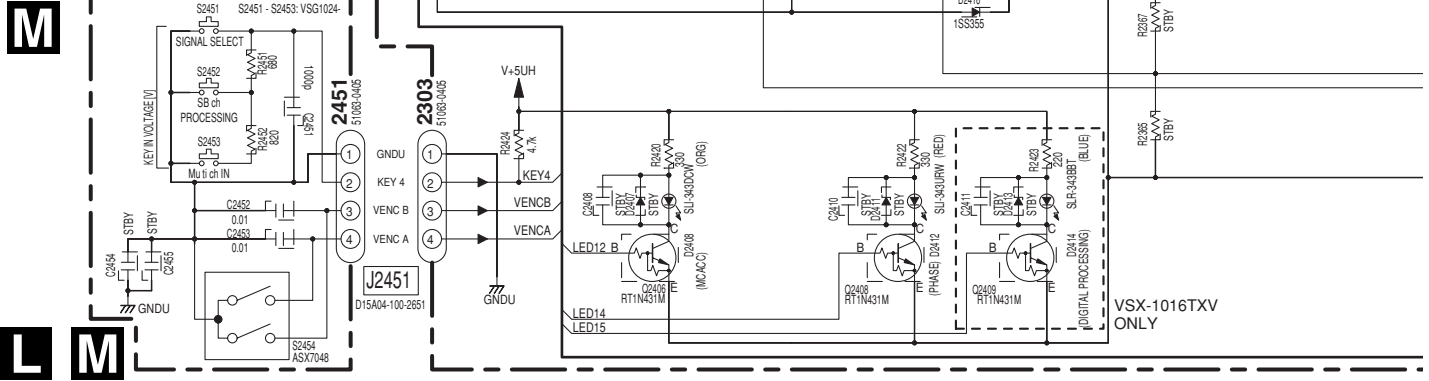


3.15 DISPLAY, VOLUME and MULTI JOG ASSYS

DISP ASSY
 (VSX-1016V : AWX9104)
 (VSX-1016TXV : AWX9042)
 (VSX-80TXV : AWX9043)



VOLUME ASSY
 (VSX-1016V-K, VSX-1016TXV-K,
 VSX-80TXV : AWX9044)
 (VSX-1016V-S, VSX-80TXV-S : AWX9111)

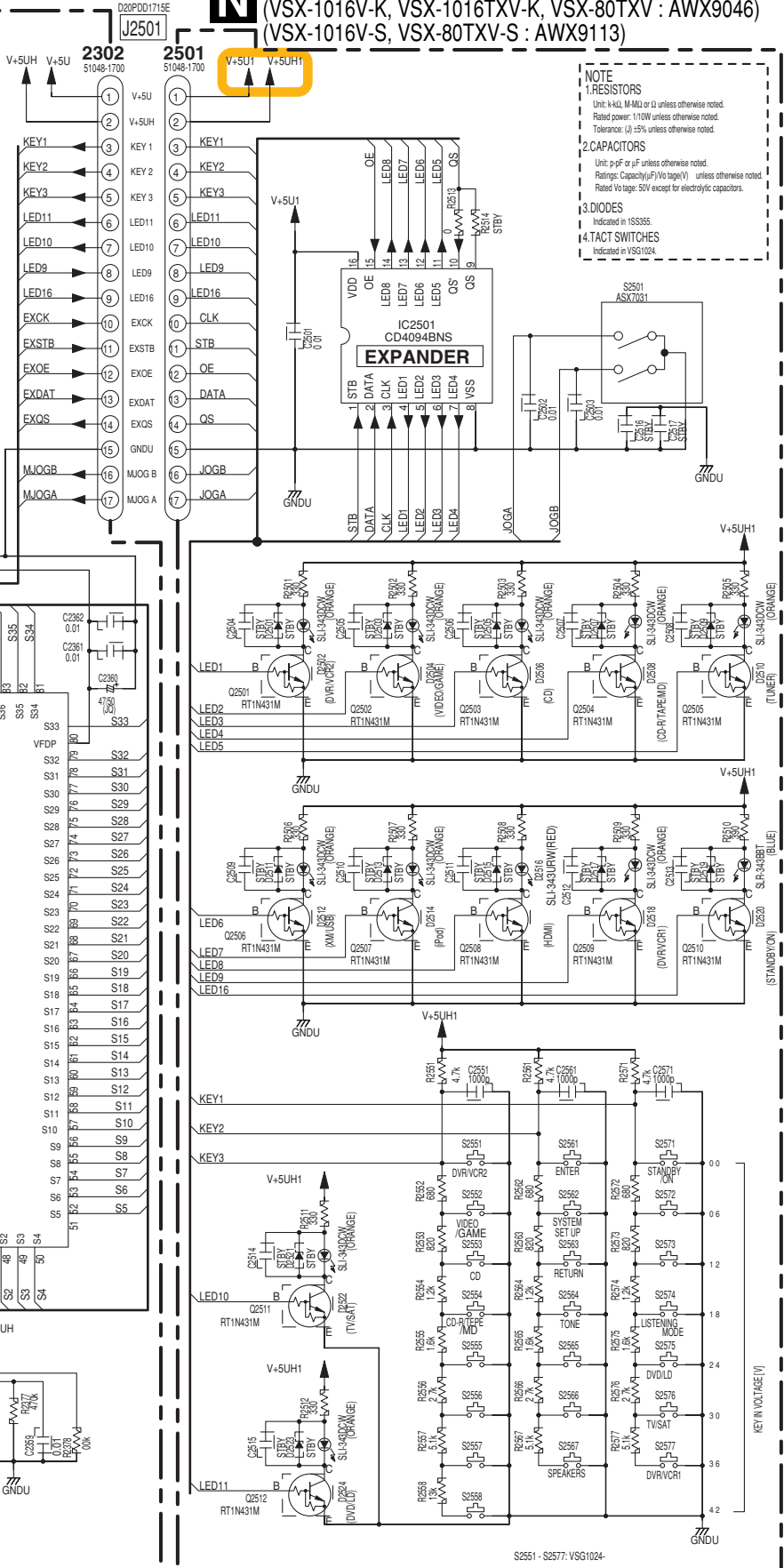


VSX-1016V-K

LN MULTI JOG ASSY
 (VSX-1016V-K, VSX-1016TVX-K, VSX-80TXV : AWX9046)
 (VSX-1016V-S, VSX-80TXV-S : AWX9113)

VOLUME ASSY
 S2451 : SIGNAL SELECT
 S2452 : SBCh PROCESSING
 S2453 : SOUND RETRIEVER
 S2454 : MASTER VOLUME

MULTI JOG ASSY
 S2501 : MULTI JOG
 S2551 : DVR/VCR2
 S2552 : VIDEO/GAME
 S2553 : CD
 S2554 : CD-R/TAPE/MD
 S2555 : FM/AM
 S2556 : USB (XM)
 S2557 : MULTI CH IN
 S2558 : VIDEO SELECT
 S2561 : ENTER
 S2562 : SYSTEM SETUP
 S2563 : RETURN
 S2564 : TONE
 S2565 : TUNING/STATION
 S2566 : TUNER EDIT
 S2567 : SPEAKERS
 S2571 : \odot STANDBY/ON
 S2572 : PHASE CONTROL (MULTI ROOM ON/OFF)
 S2573 : PTY SEARCH (MULTI ROOM CONTROL)
 S2574 : LISTENING MODE
 S2575 : DVD/LD
 S2576 : TV/SAT
 S2577 : DVR/VCR1



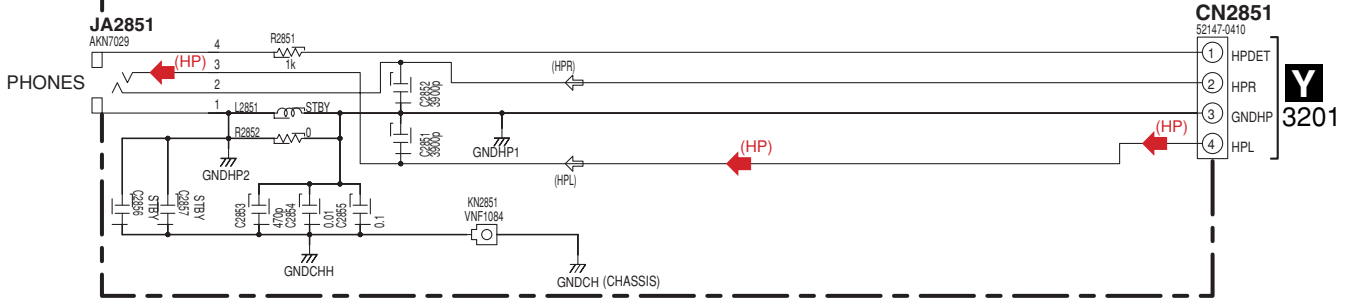
NOTE
 1.RESISTORS
 Unit: k- Ω , M- Ω or Ω unless otherwise noted.
 Rated power: 1/10W unless otherwise noted.
 Tolerance: (J) $\pm 5\%$ unless otherwise noted.
 2.CAPACITORS
 Unit: pF or μ F unless otherwise noted.
 Ratings: Capacity/(V) or tag(V) unless otherwise noted.
 Rated Voltage: 50V except for electrolytic capacitors.
 3.DIODES
 Indicated in 1SS355.
 4.TACT SWITCHES
 Indicated in VSG1024.

IC2301
PE5503A
 (NEC)
DISPLAY U-COM

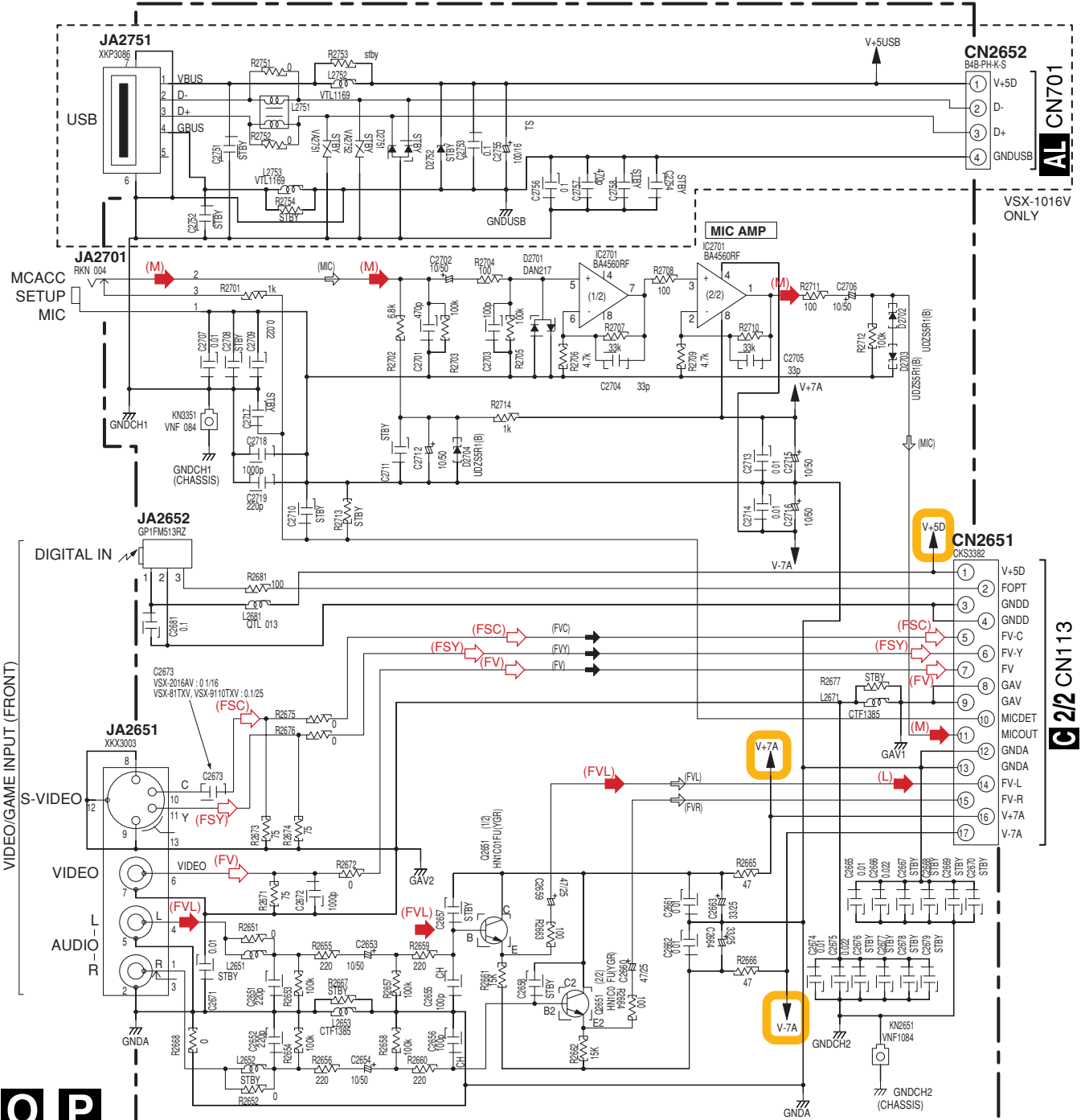
A
B
C
D
E
F

3.16 HEADPHONE, FRONT-IN, PRIMARY and TRANS 1 ASSYS

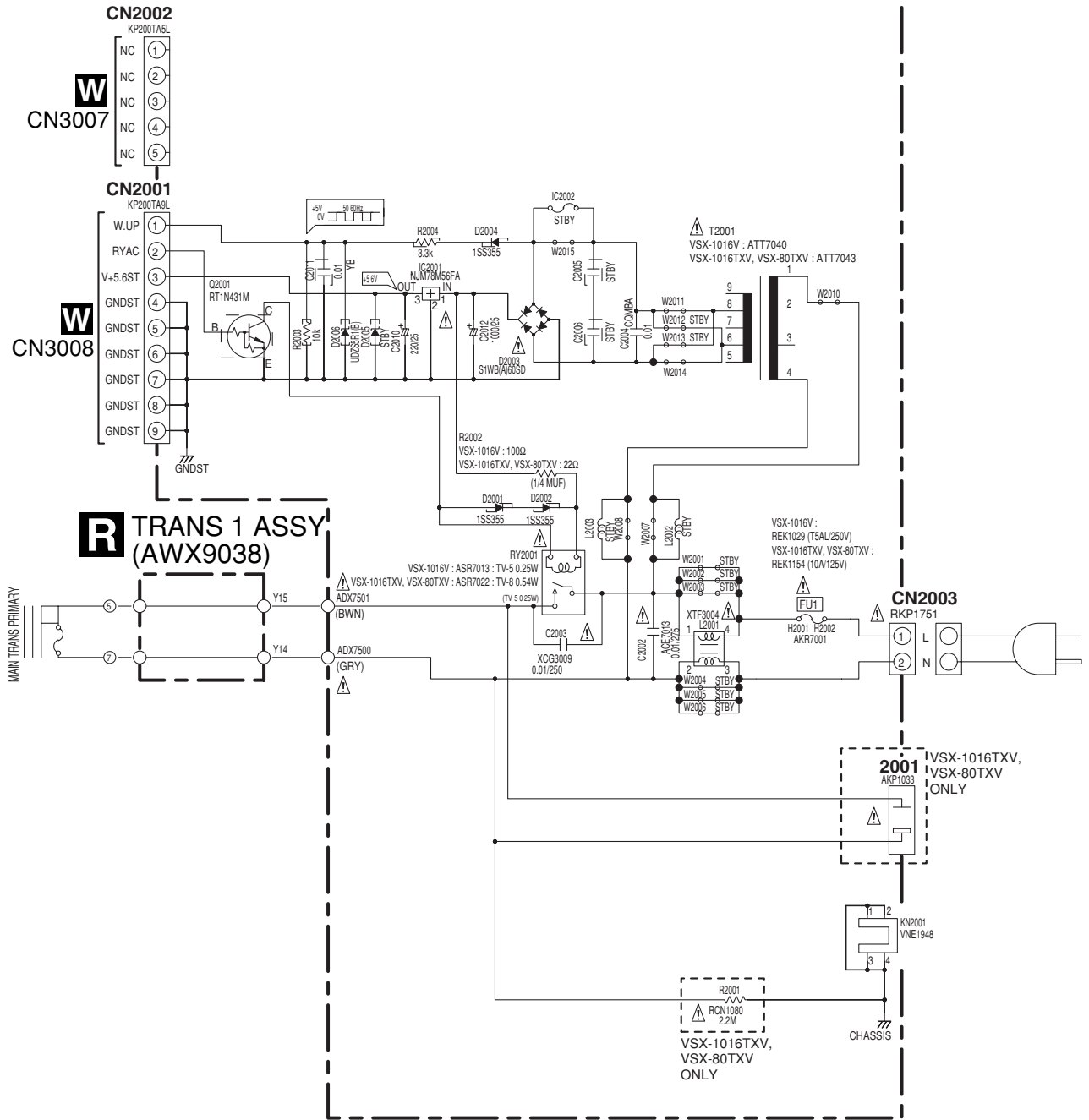
O HEADPHONE ASSY (AWX9049)



P FRONT-IN ASSY (VSX-1016V : AWX9048) (VSX-1016TXV, VSX-80TXV : AWX9047)



Q PRIMARY ASSY (VSX-1016V : AWX9086)
(VSX-1016TXV, VSX-80TXV : AWX9085)



• NOTE FOR FUSE REPLACEMENT

CAUTION -FOR CONTINUED PROTECTION AGAINST RISK OF FIRE.
REPLACE WITH SAME TYPE AND RATINGS ONLY.

NOTE
1. RESISTORS
Unit: k- Ω , M-M Ω or Ω unless otherwise noted.
Rated power: 1/10W unless otherwise noted.
Tolerance: (J) $\pm 5\%$ unless otherwise noted.
2. CAPACITORS
Unit: p-pF or μ F unless otherwise noted.
Ratings: Capacity(μ F)/Voltage(V) unless otherwise noted.
Rated Voltage: 50V except for electrolytic capacitors.
3. DIODES
Indicated in 1SS355.

- (L) : Audio Signal Route (L ch)
- (M) : Audio Signal Route (Mic ch)
- (V) : Video Signal Route
- (SY) : S-Video Signal Route (Y ch)
- (SC) : S-Video Signal Route (C ch)

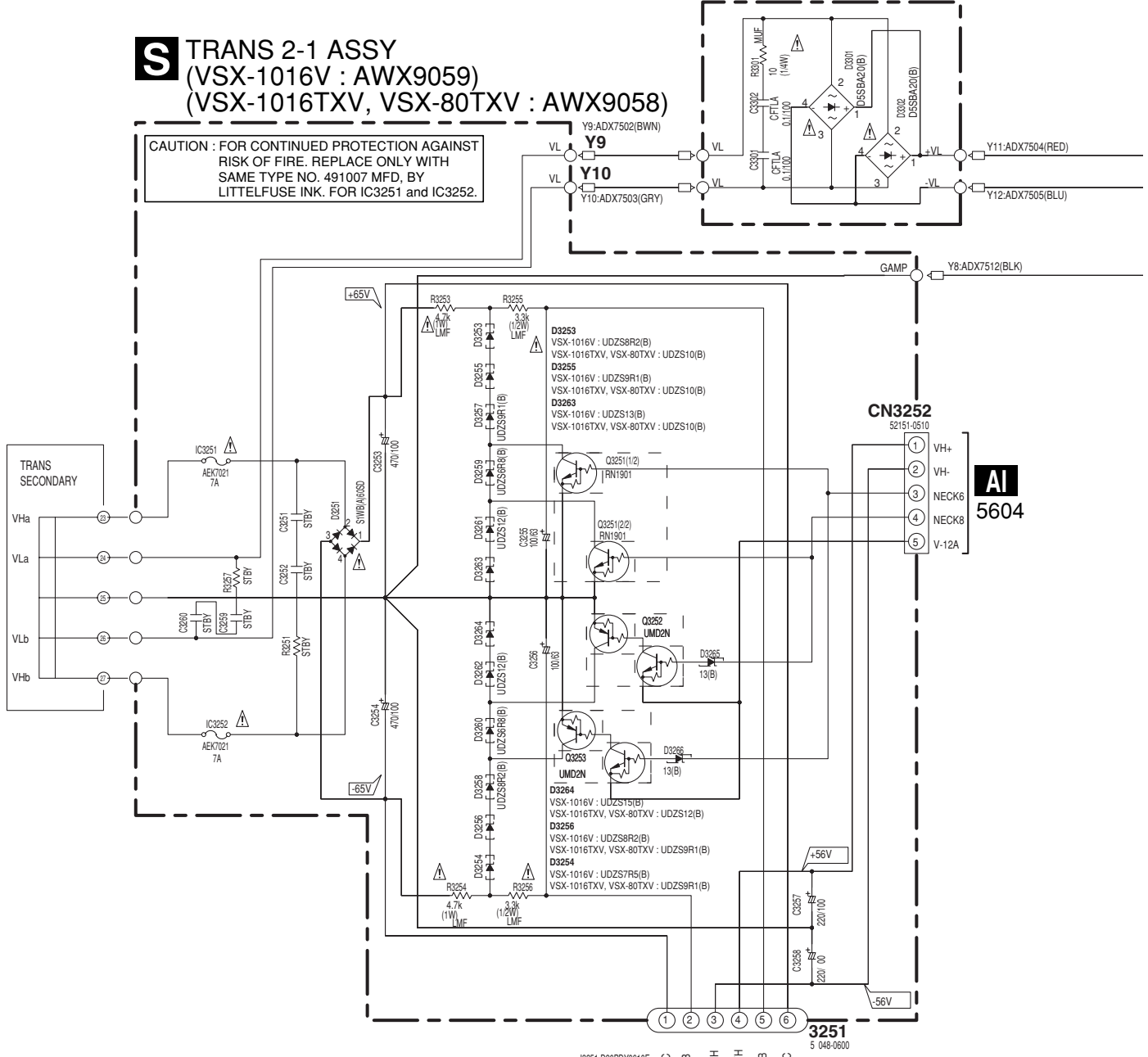
3.17 TRANS 2-1, DIODE 1, VH TR and PS/SP ASSYS

A
B
C
D
E
F

S TRANS 2-1 ASSY
(VSX-1016V : AWX9059)
(VSX-1016TXV, VSX-80TXV : AWX9058)

CAUTION : FOR CONTINUED PROTECTION AGAINST RISK OF FIRE. REPLACE ONLY WITH SAME TYPE NO. 491007 MFD, BY LITTELFUSE INK. FOR IC3251 and IC3252.

T DIODE 1 ASSY
(AWX9060)



AI 5604

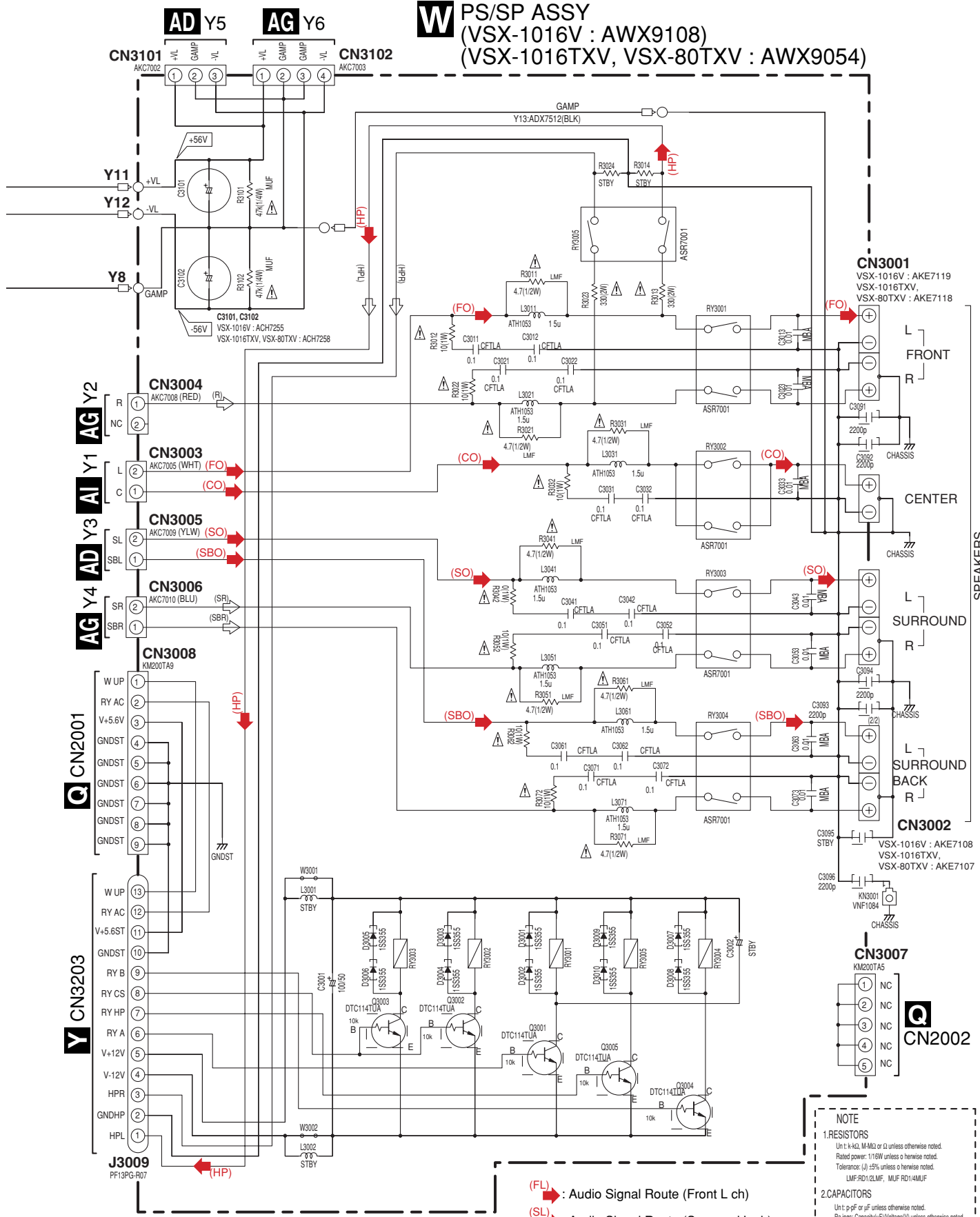
U

VH TR ASSY
(AWX9061)

CAUTION : FOR CONTINUED PROTECTION AGAINST RISK OF FIRE. REPLACE ONLY WITH SAME TYPE NO. ICP-N15, MFD BY ROHM CO., LTD. FOR IC3351 and IC3352.

S T U

W PS/SP ASSY
 (VSX-1016V : AWX9108)
 (VSX-1016TXV, VSX-80TXV : AWX9054)



NOTE

1.RESISTORS
 Un t: k-k1, M-M10 or Ω unless otherwise noted.
 Rated power: 1/8W unless otherwise noted.
 Tolerance: (J) ±5% unless otherwise noted.
 LMF:RD1/2LMF, MUF:RD1/4MUF

2.CAPACITORS
 Un t: p-pF or μF unless otherwise noted.
 Ra Ings: Capacitance(Voltage/V) unless otherwise noted.
 Rated Vo tage: 50V except for electrolytic capacitors.
 MBA:COMBA, LA:CFLTA

- (FL) : Audio Signal Route (Front L ch)
- (SL) : Audio Signal Route (Surround L ch)
- (C) : Audio Signal Route (Center ch)
- (SBL) : Audio Signal Route (Surround Back L ch)

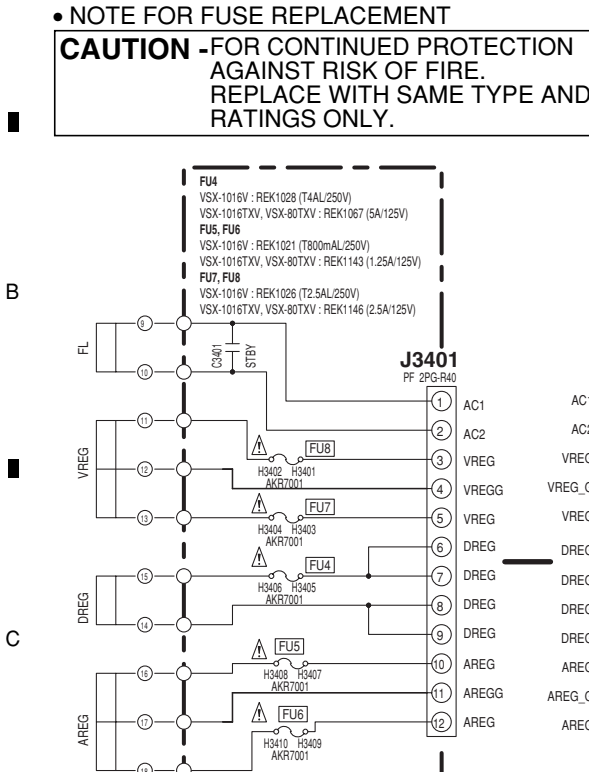


3.18 TRANS 2-2, TRANS SIDE, LOCAL P-SUPPLY, DC/DC, IR I/O and VIDEO CONNECT ASSYS

Z LOCAL P-SUPPLY ASSY (VSX-1016V : AWX9068) (VSX-1016TXV, VSX-80TXV : AWX9065)

NOTE FOR FUSE REPLACEMENT

CAUTION -FOR CONTINUED PROTECTION AGAINST RISK OF FIRE. REPLACE WITH SAME TYPE AND RATINGS ONLY.

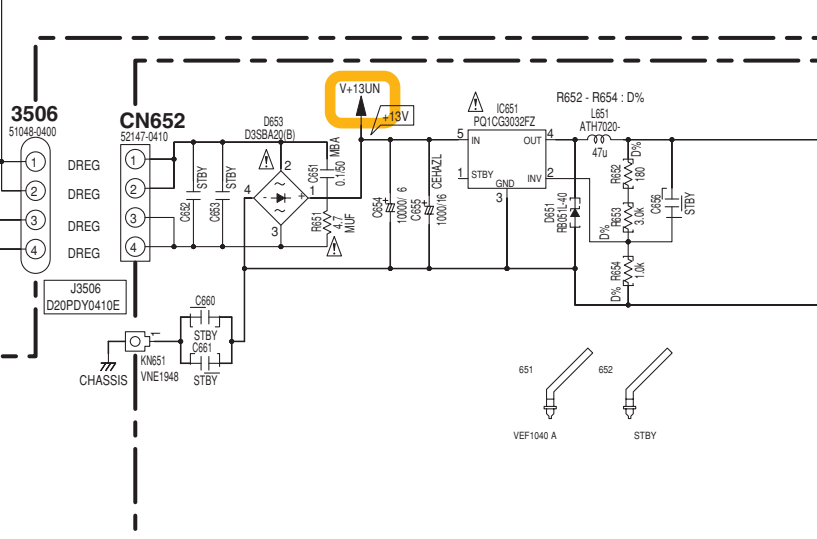
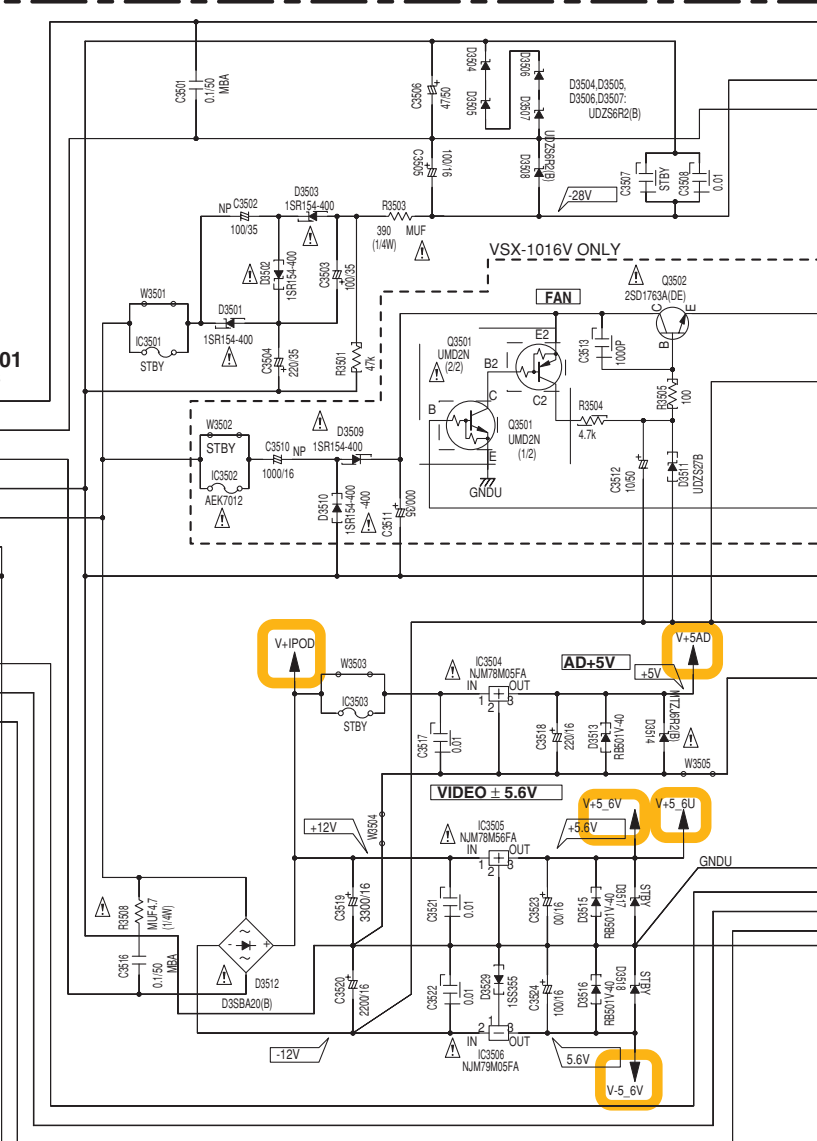
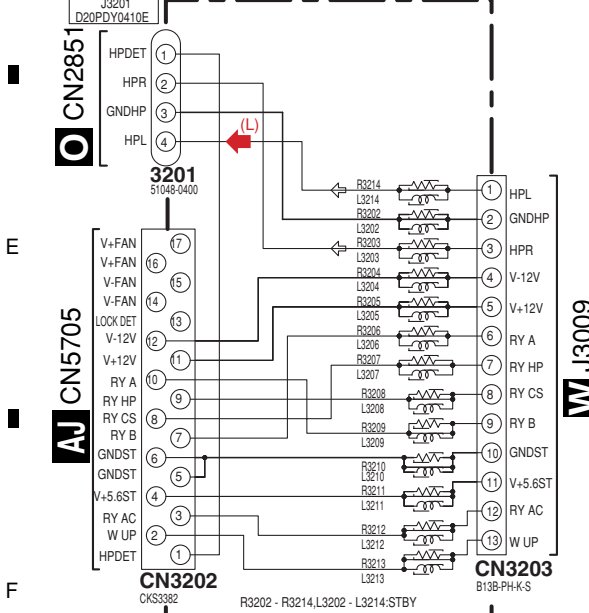


X TRANS 2-2 ASSY (AWX9062)

NOTE 1.RESISTORS
Unit: k, M, Ω unless otherwise noted
Rated power: 1/8W unless otherwise noted
Toler: ±0.5% unless otherwise noted

2.CAPACITORS
Unit: μF or pF unless otherwise noted
Ratings: Capacitance (μF) Voltage (V) unless otherwise noted
Resistor Value: 50V except for electrolytic capacitor

Y TRANS SIDE ASSY (AWX9056)



X Y Z AA

AA DC/DC ASSY (AWX9098)

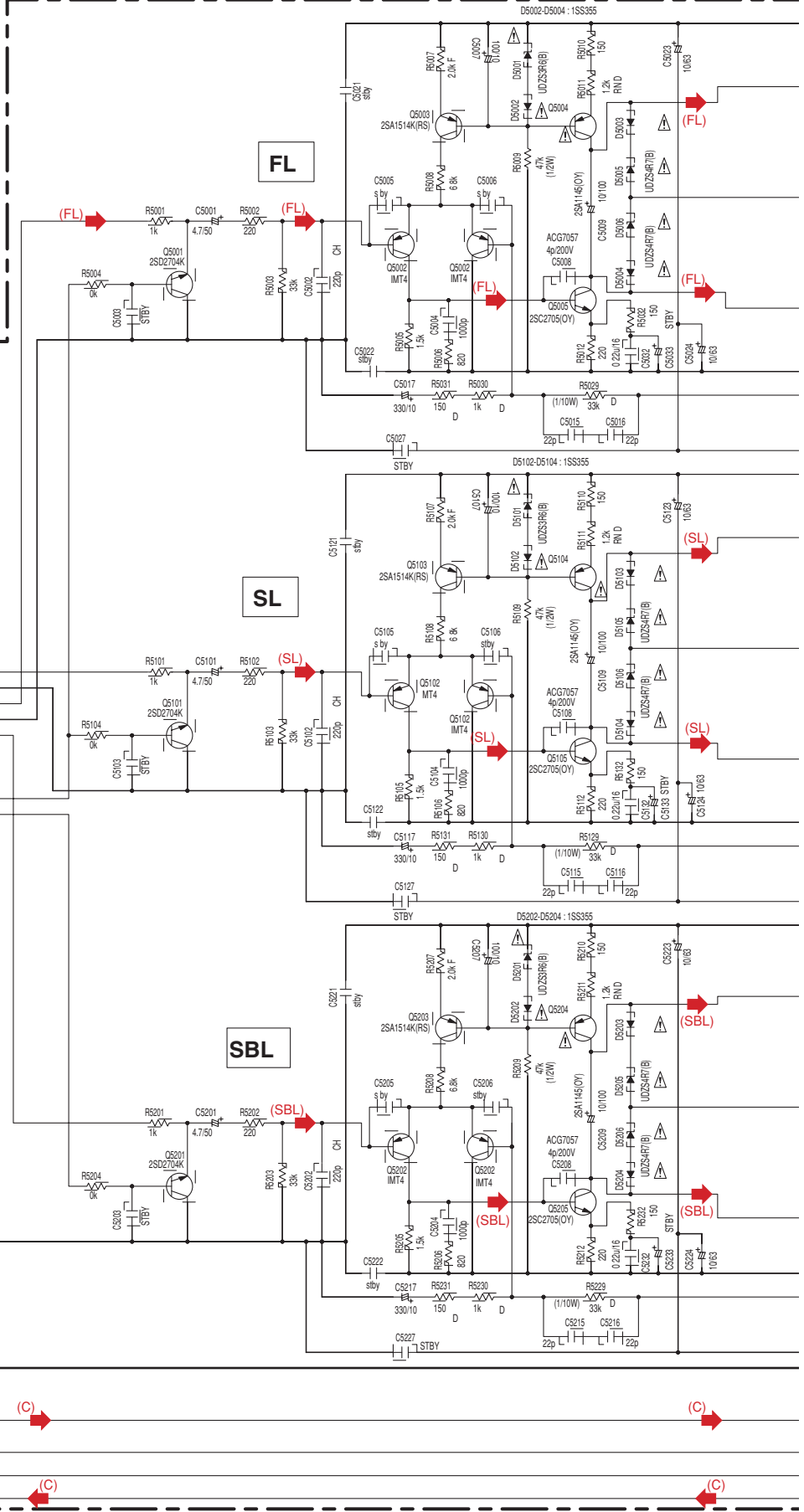
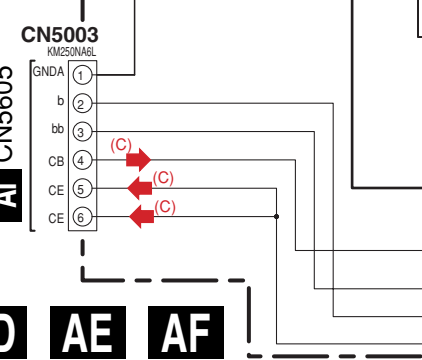
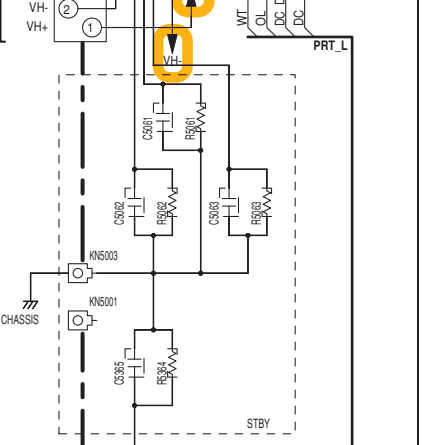
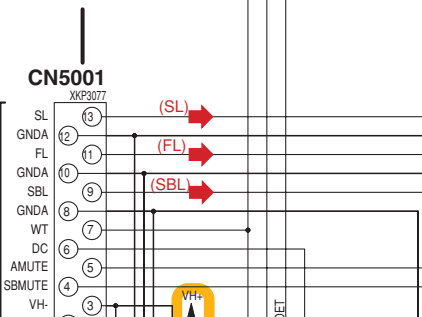
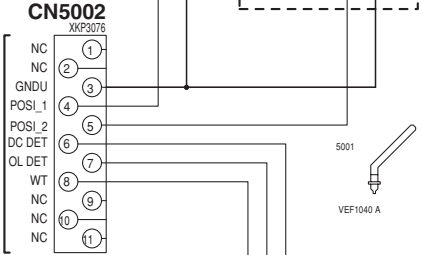
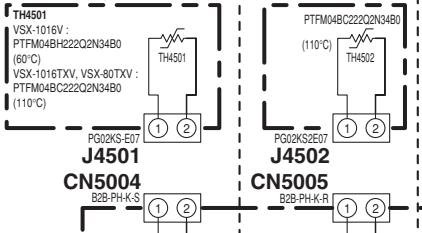
3.19 POWER AMP-L, POSI 1-L and POSI 2-L ASSYS

AD POWER AMP-L ASSY (VSX-1016V : AWX9072) (VSX-1016TXV, VSX-80TXV : AWX9071)

A
B
C
D
E
F

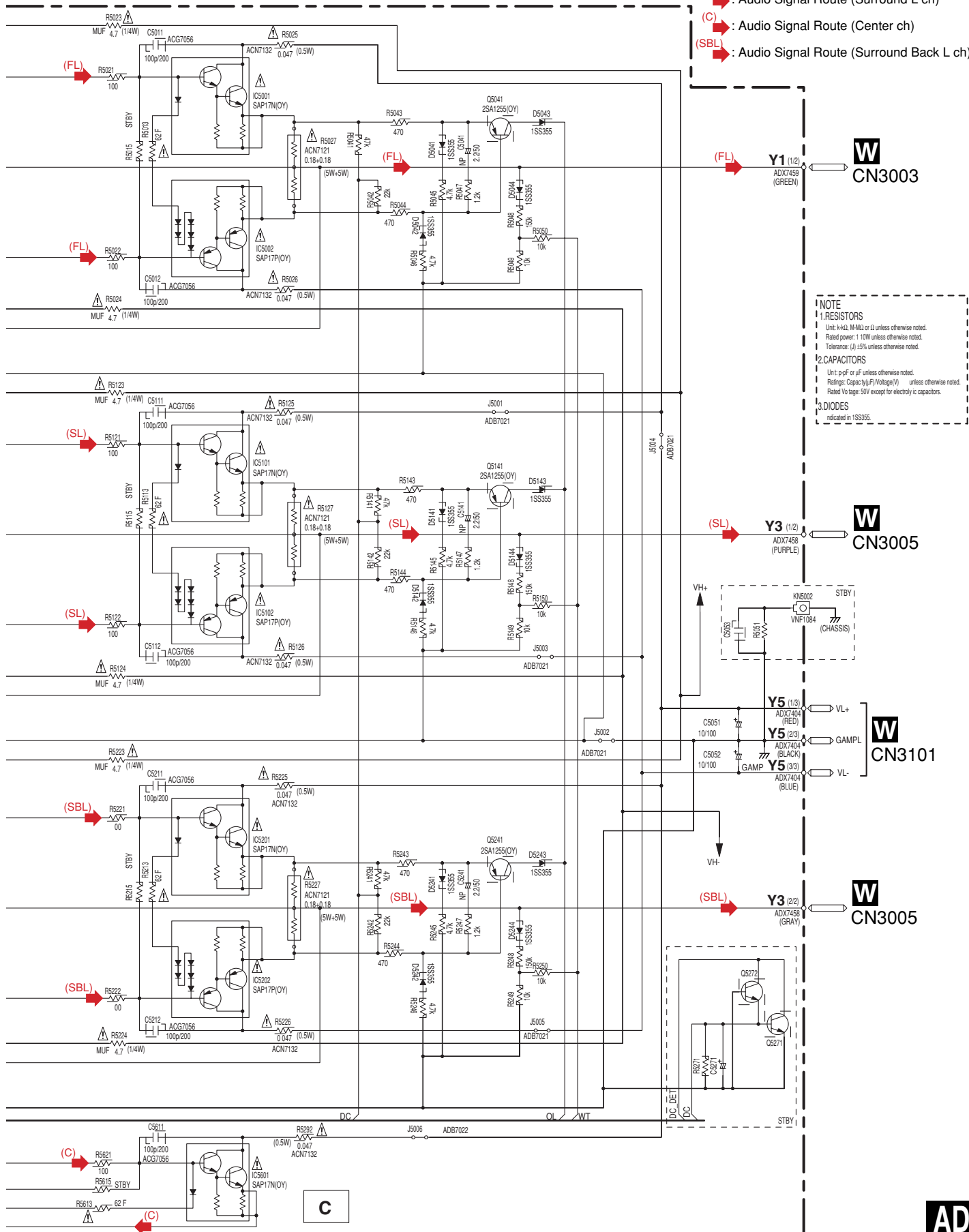
AE
POSI 1-L ASSY
(VSX-1016V : AWX9081)
(VSX-1016TXV, VSX-80TXV : AWX9080)

AF
POSI 2-L ASSY
(AWX9082)



AD AE AF

- (FL) : Audio Signal Route (Front L ch)
- (SL) : Audio Signal Route (Surround L ch)
- (C) : Audio Signal Route (Center ch)
- (SBL) : Audio Signal Route (Surround Back L ch)



A

B

C

D

E

F

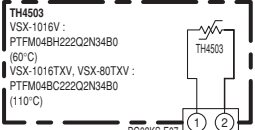


3.20 POWER AMP-R and POSI 1-R ASSYS

AG POWER AMP-R ASSY (VSX-1016V : AWX9073) (VSX-1016TXV, VSX-80TXV : AWX9106)

AH

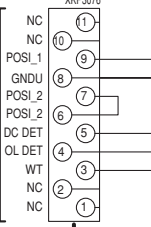
POSI 1-R ASSY
(VSX-1016V : AWX9084)
(VSX-1016TXV, VSX-80TXV : AWX9083)



J4551
CN5304
B2B-PH-K-S

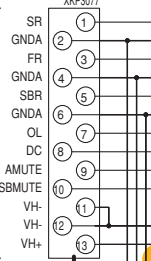
CN5302
XKP3076

AJ CN5702



CN5301
XKP3077

AI CN5602

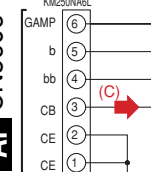


PRT

STBY

CN5303
KM250NABL

AI CN5606



VSX-1016V ONLY

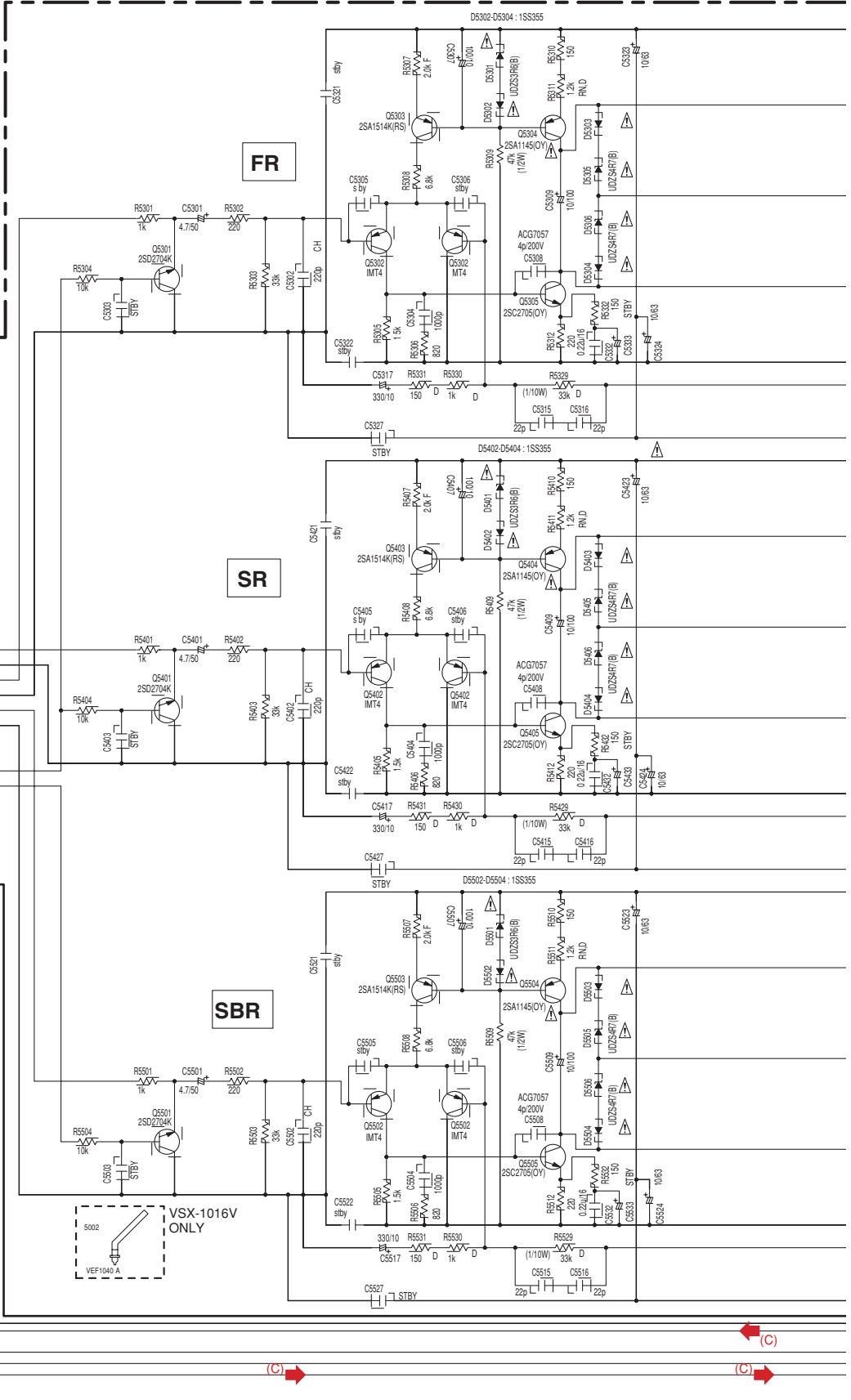
VEF1040

FR

SR

SBR

C



(C) : Audio Signal Route (Center ch)

A

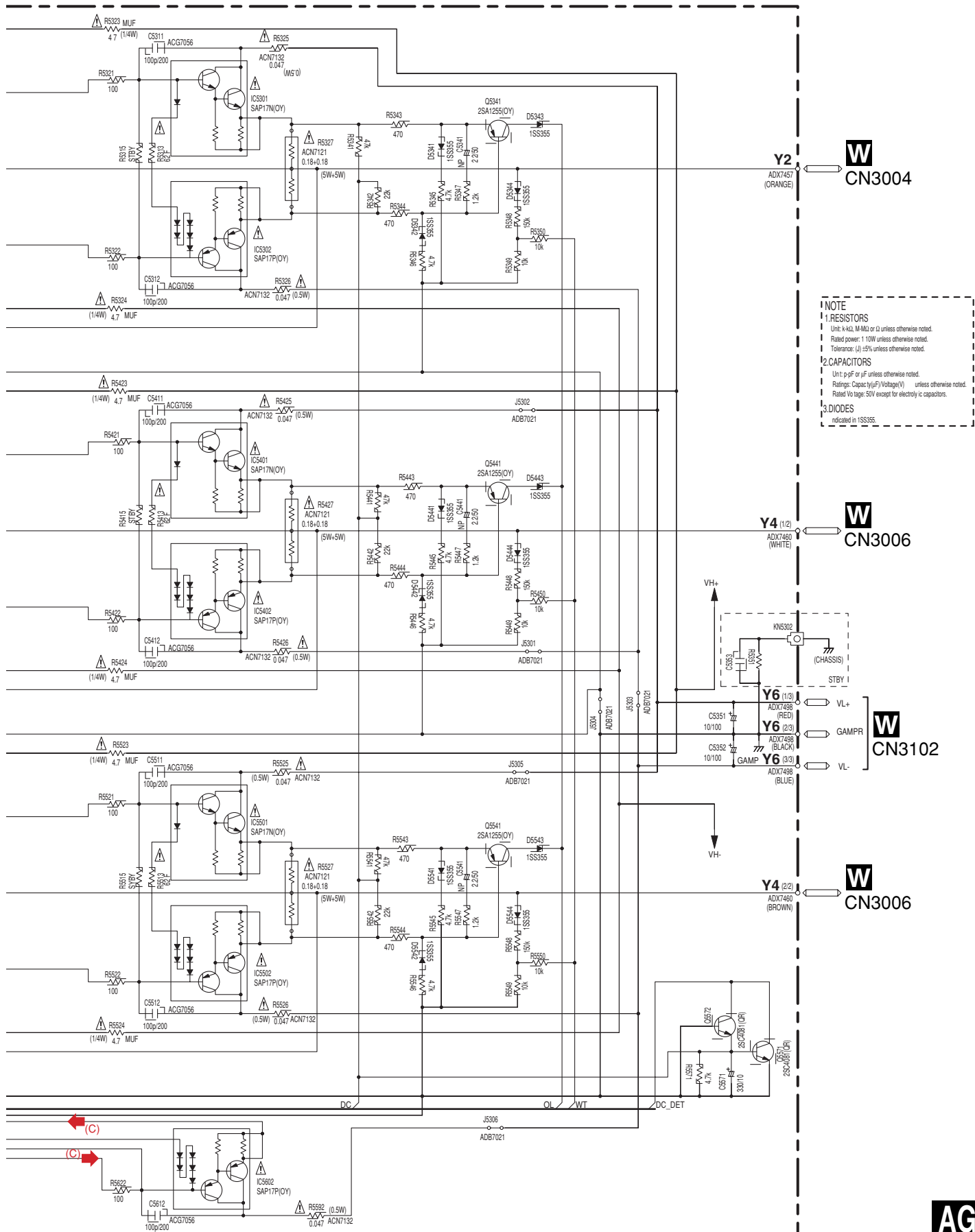
B

C

D

E

F



NOTE

1. RESISTORS
 Unit: k- Ω , M- Ω or Ω unless otherwise noted.
 Rated power: 1/10W unless otherwise noted.
 Tolerance: $\pm 5\%$ unless otherwise noted.

2. CAPACITORS
 Unit: p-pF or μ F unless otherwise noted.
 Ratings: Capacitance (V) unless otherwise noted.
 Rated Voltage: 35V except for electrolytic capacitors.

3. DIODES
 Indicated in 1SS335.

3.21 BRIDGE 1-L, POWER AMP IN and POWER PROTECT ASSYS

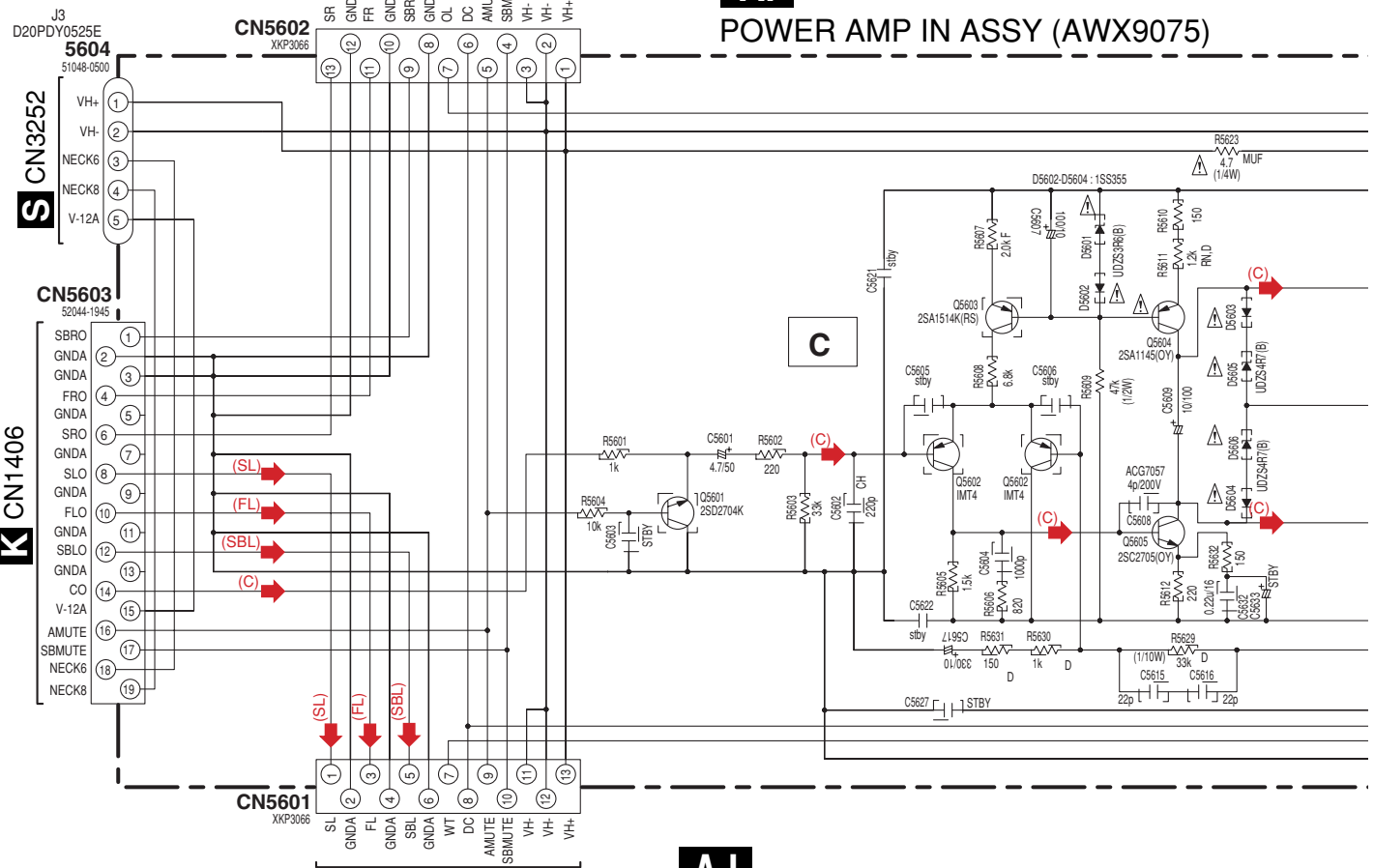
1 2 3 4

A
B
C
D
E
F

AG CN5301

AI

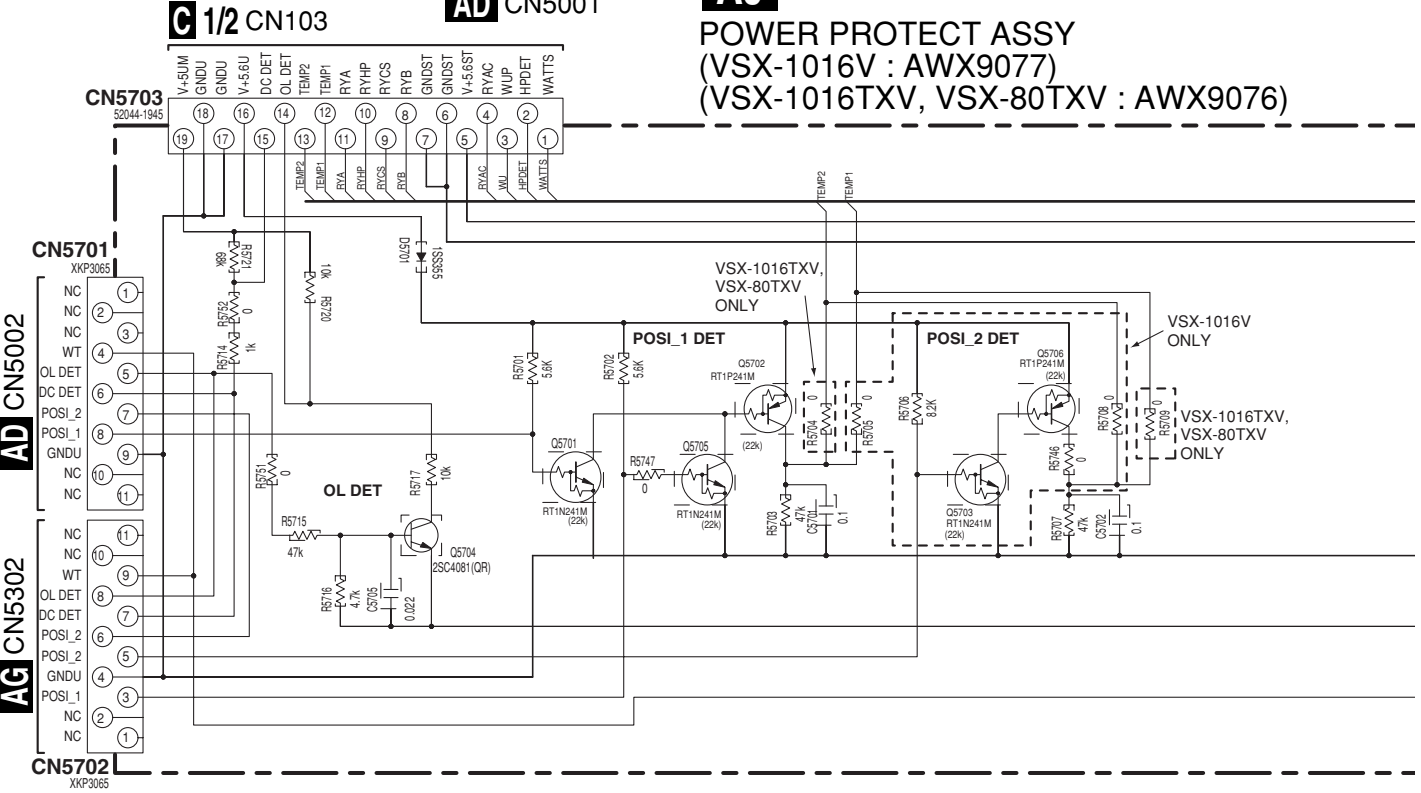
POWER AMP IN ASSY (AWX9075)



AD CN5001

AJ

POWER PROTECT ASSY
(VSX-1016V : AWX9077)
(VSX-1016TXV, VSX-80TXV : AWX9076)

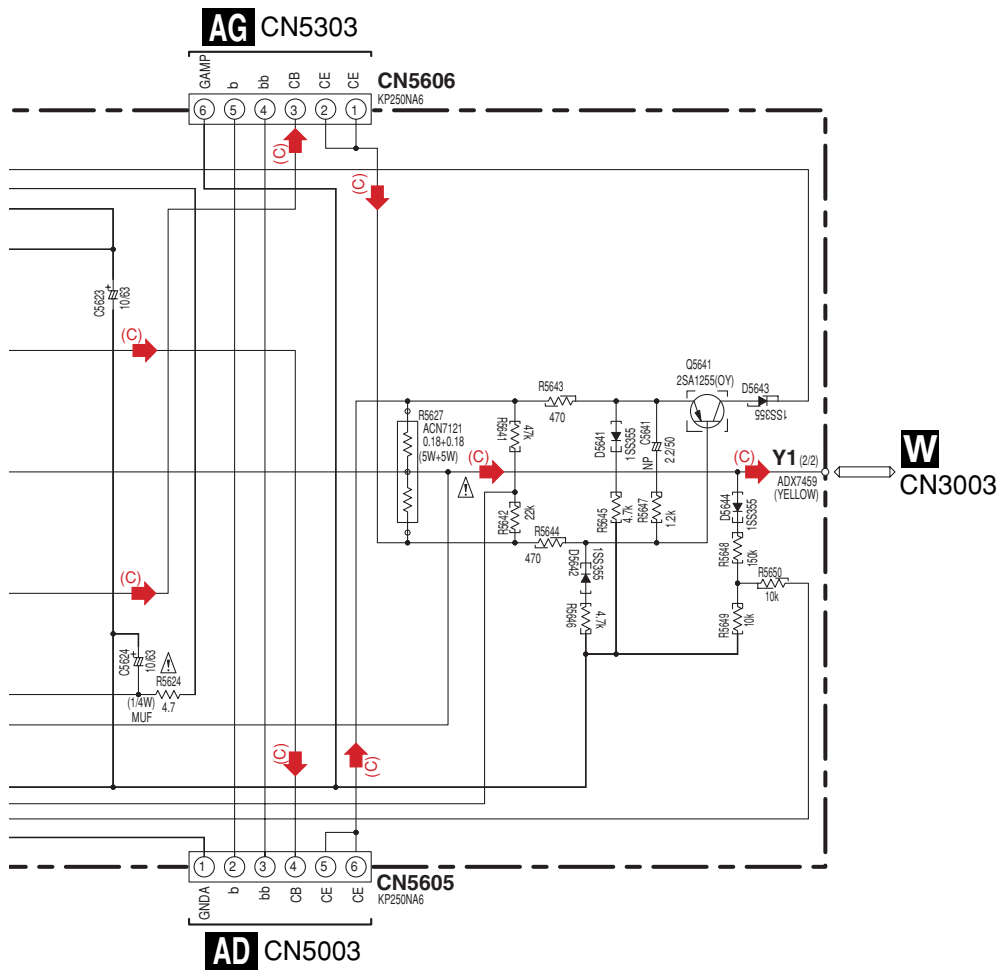


AI **AJ**

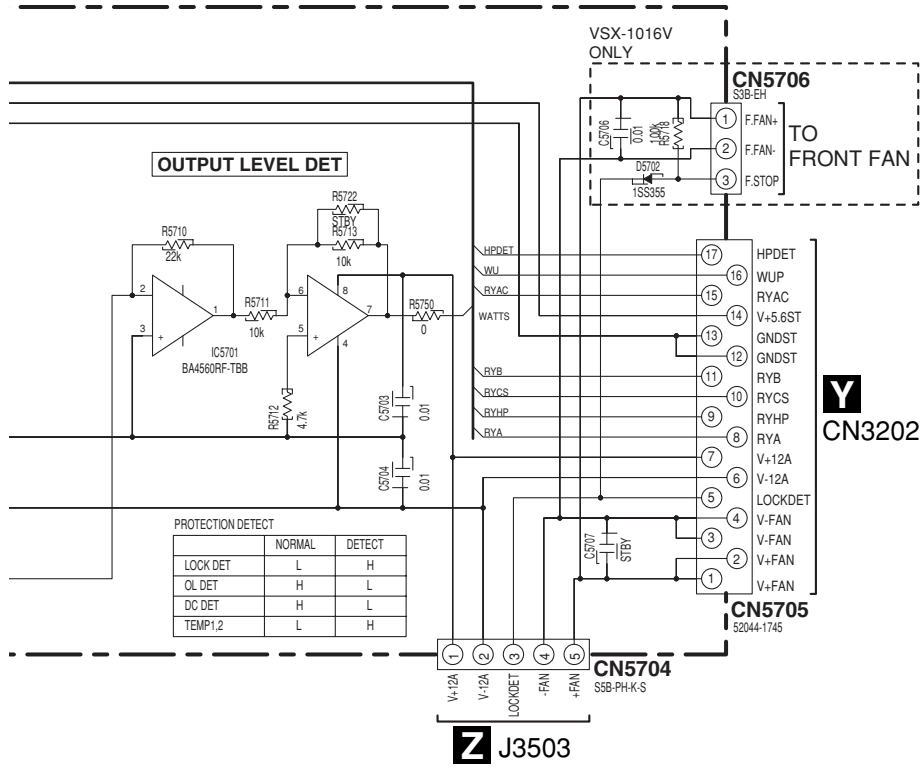
VSX-1016V-K

1 2 3 4

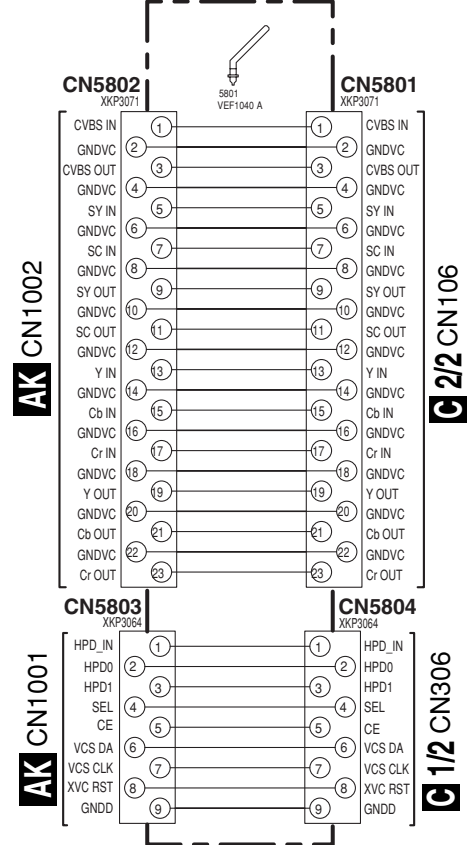
- (FL) : Audio Signal Route (Front L ch)
- (SL) : Audio Signal Route (Surround L ch)
- (C) : Audio Signal Route (Center ch)
- (SBL) : Audio Signal Route (Surround Back L ch)



NOTE
 1. RESISTORS
 Unit: k kΩ, M-MΩ or Ω unless otherwise noted.
 Rated power: 1/16W unless otherwise noted.
 Tolerance: (J) ±5% unless otherwise noted.
 2. CAPACITORS
 Unit: p-pF or μF unless otherwise noted.
 Ratings: Capacity(μF)/Voltage(V) unless otherwise noted.
 Rated Voltage: 50V expect for electrolytic capacitors.



V
 BRIDGE 1-L ASSY
 (AWX9079)

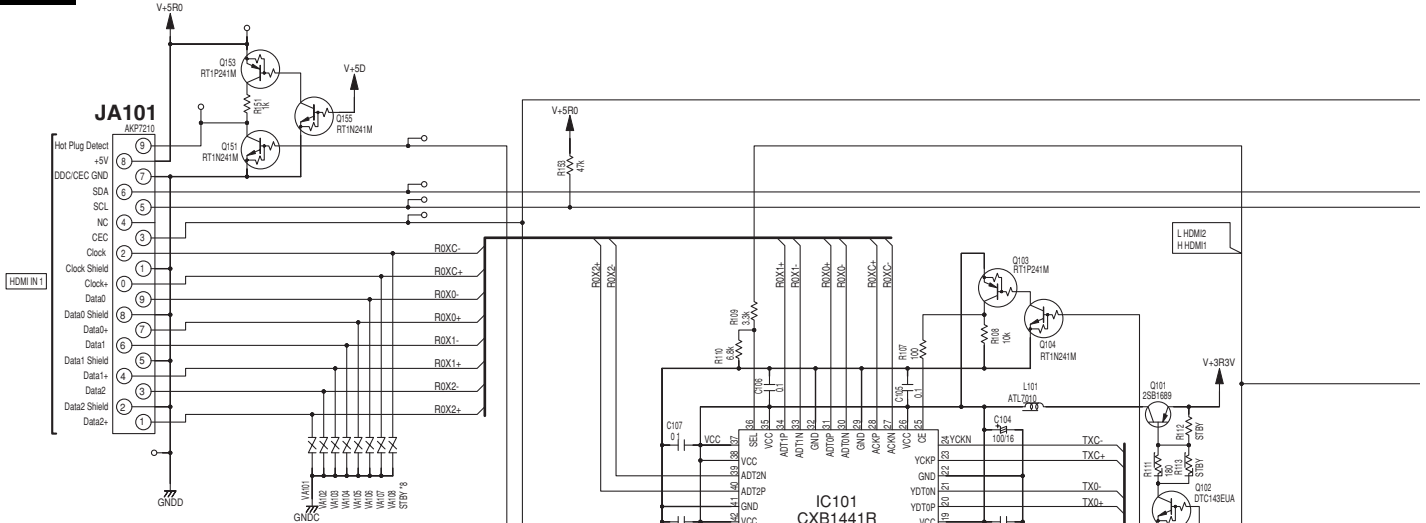


V AI AJ

3.22 HDMI & DVC ASSY

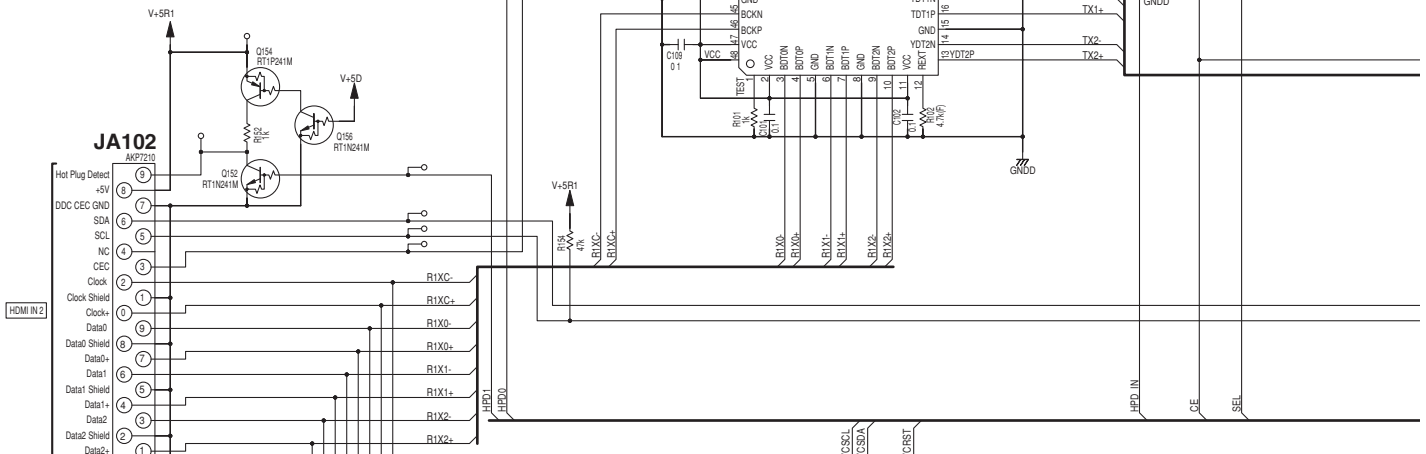
AK HDMI & DVC ASSY (AWQ7036)

A



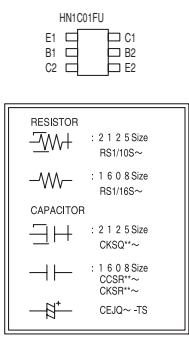
B

C

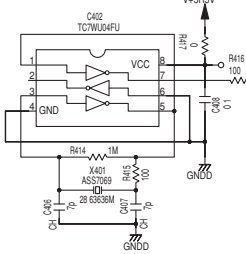
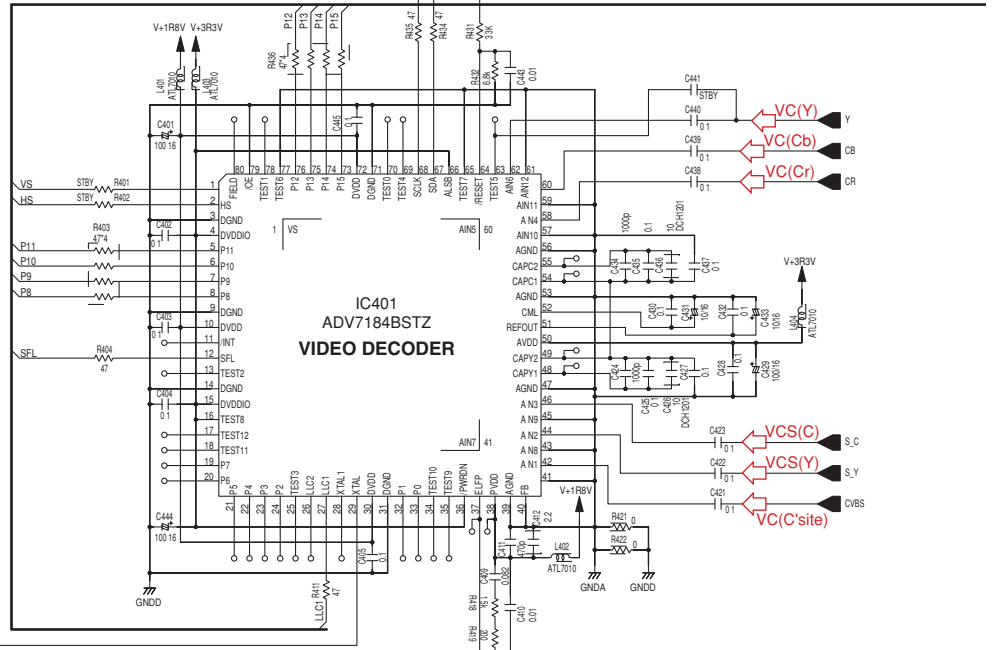


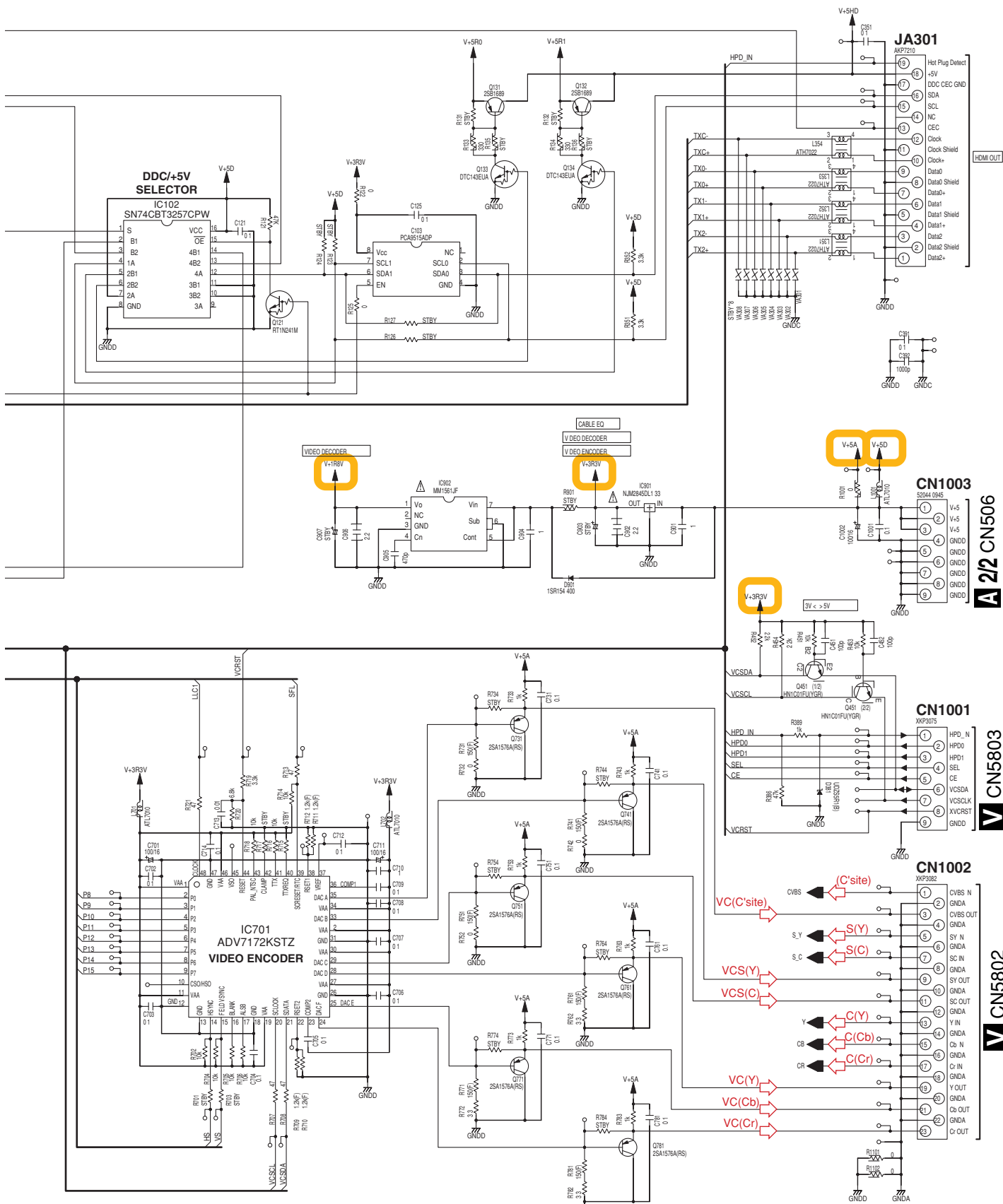
D

E



F





3.23 USB ASSY (VSX-1016V ONLY)

AL USB ASSY (AWX8704)

A

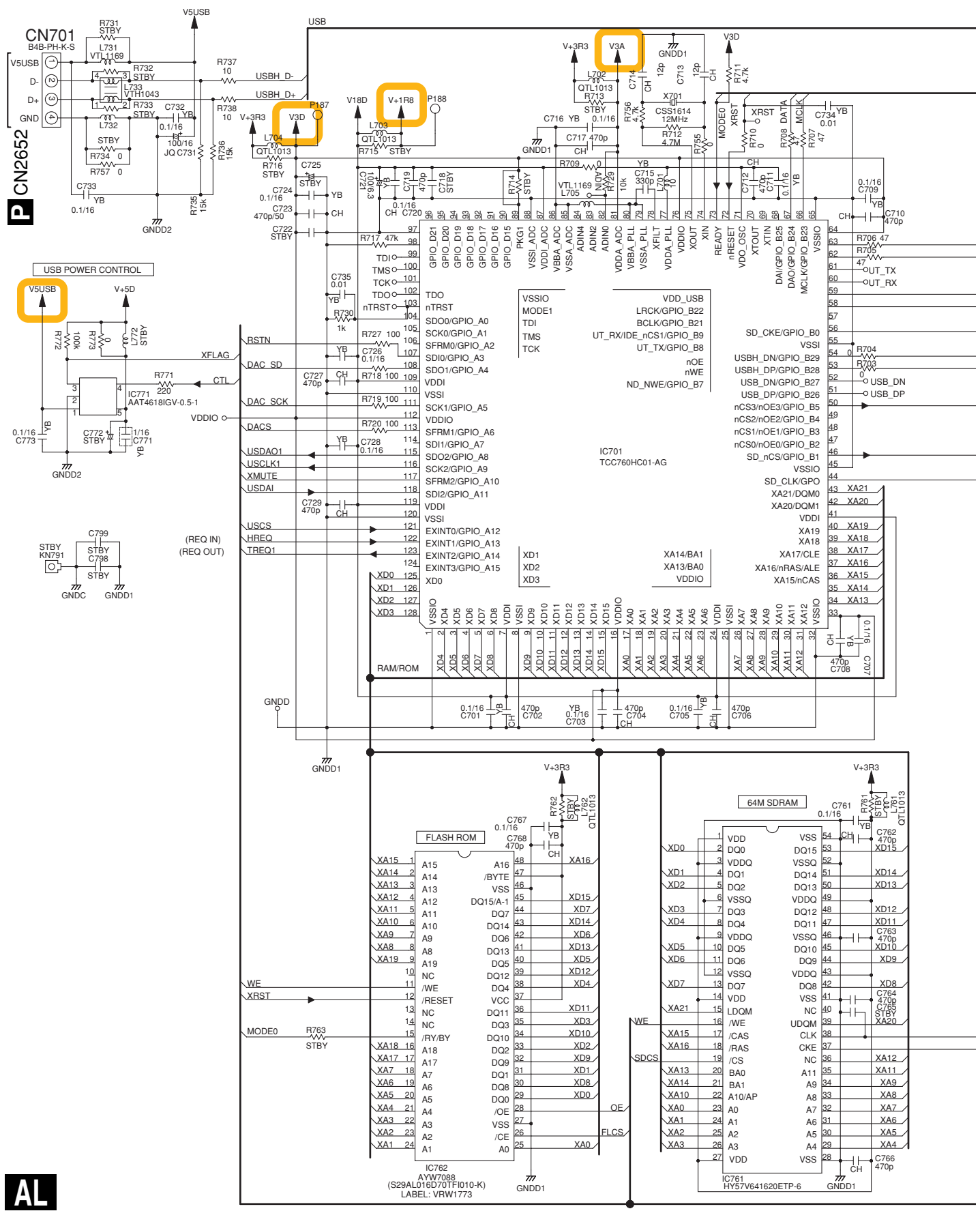
B

C

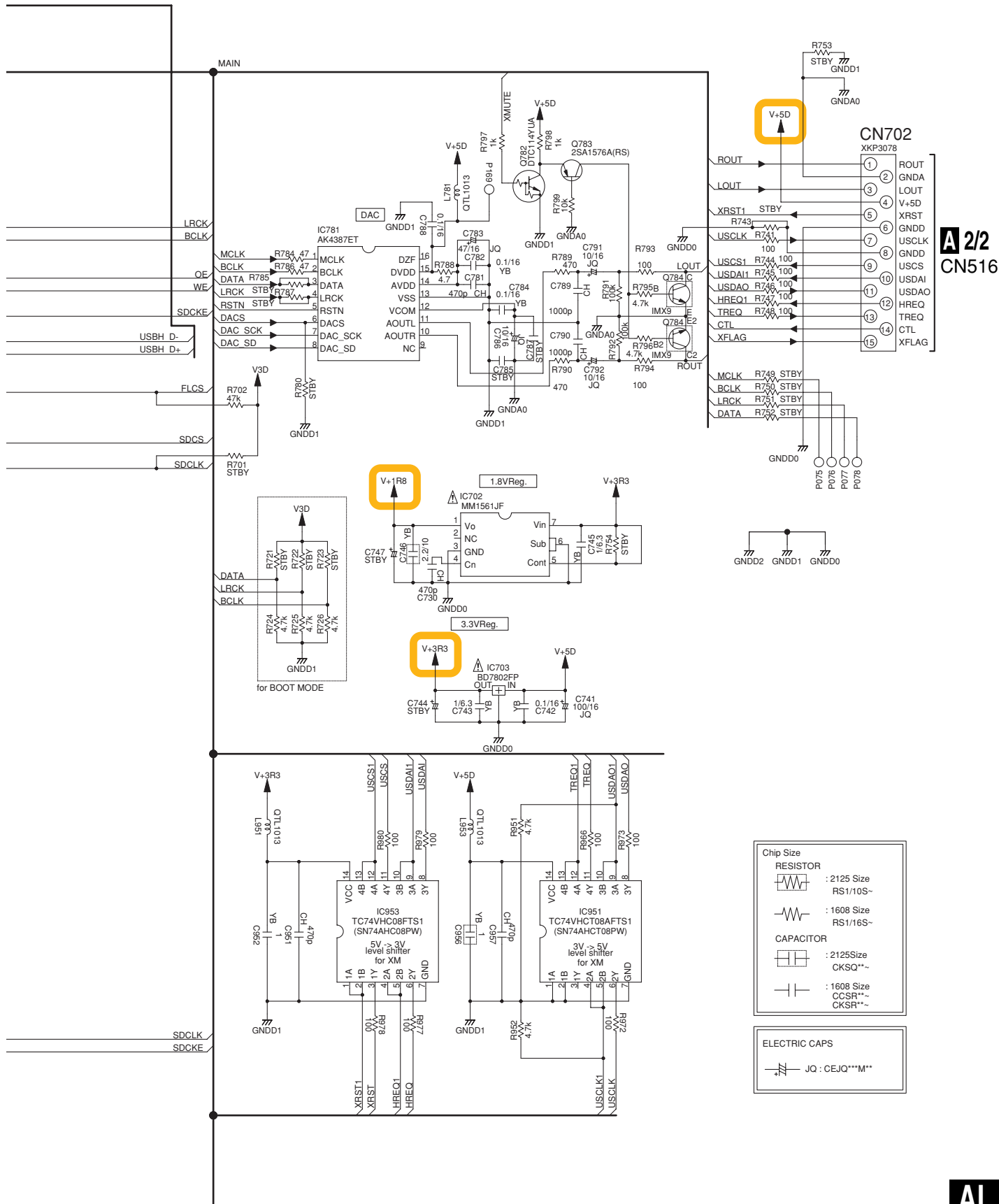
D

E

F



VSX-1016V-K




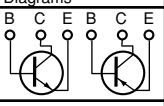

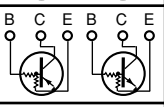

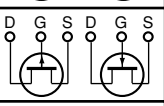

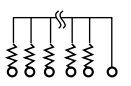

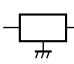
A 2/2
CN516

Chip Size	
RESISTOR	
	: 2125 Size RS1/10S-
	: 1608 Size RS1/16S-
CAPACITOR	
	: 2125Size CKSQ**
	: 1608 Size CCSR** CKSR**
ELECTRIC CAPS	
	JO : CEJQ**M**

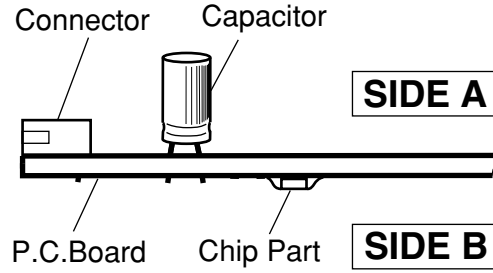
4. PCB CONNECTION DIAGRAM

A NOTE FOR PCB DIAGRAMS :

1. Part numbers in PCB diagrams match those in the schematic diagrams.
2. A comparison between the main parts of PCB and schematic diagrams is shown below.

Symbol In PCB Diagrams	Symbol In Schematic Diagrams	Part Name
		Transistor
		Transistor with resistor
		Field effect transistor
		Resistor array
		3-terminal regulator

3. The parts mounted on this PCB include all necessary parts for several destinations.
For further information for respective destinations, be sure to check with the schematic diagram.
4. View point of PCB diagrams.



■

5

■

6

■

7

■

8

■

A

■

B

■

C

■

D

■

E

■

F

■

5

■

6

VSX-1016V-K

■

7

■

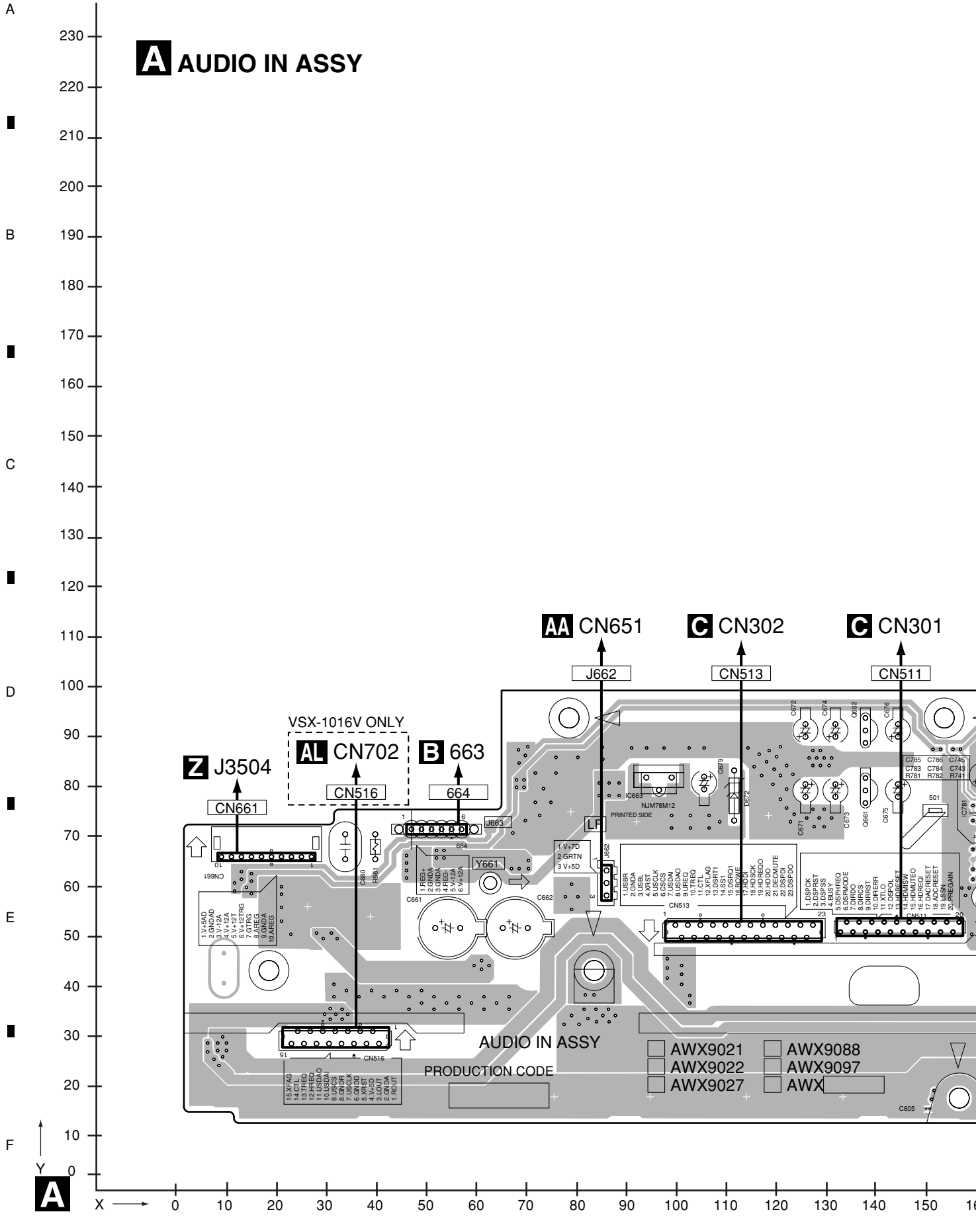
8

■

4.1 AUDIO IN ASSY

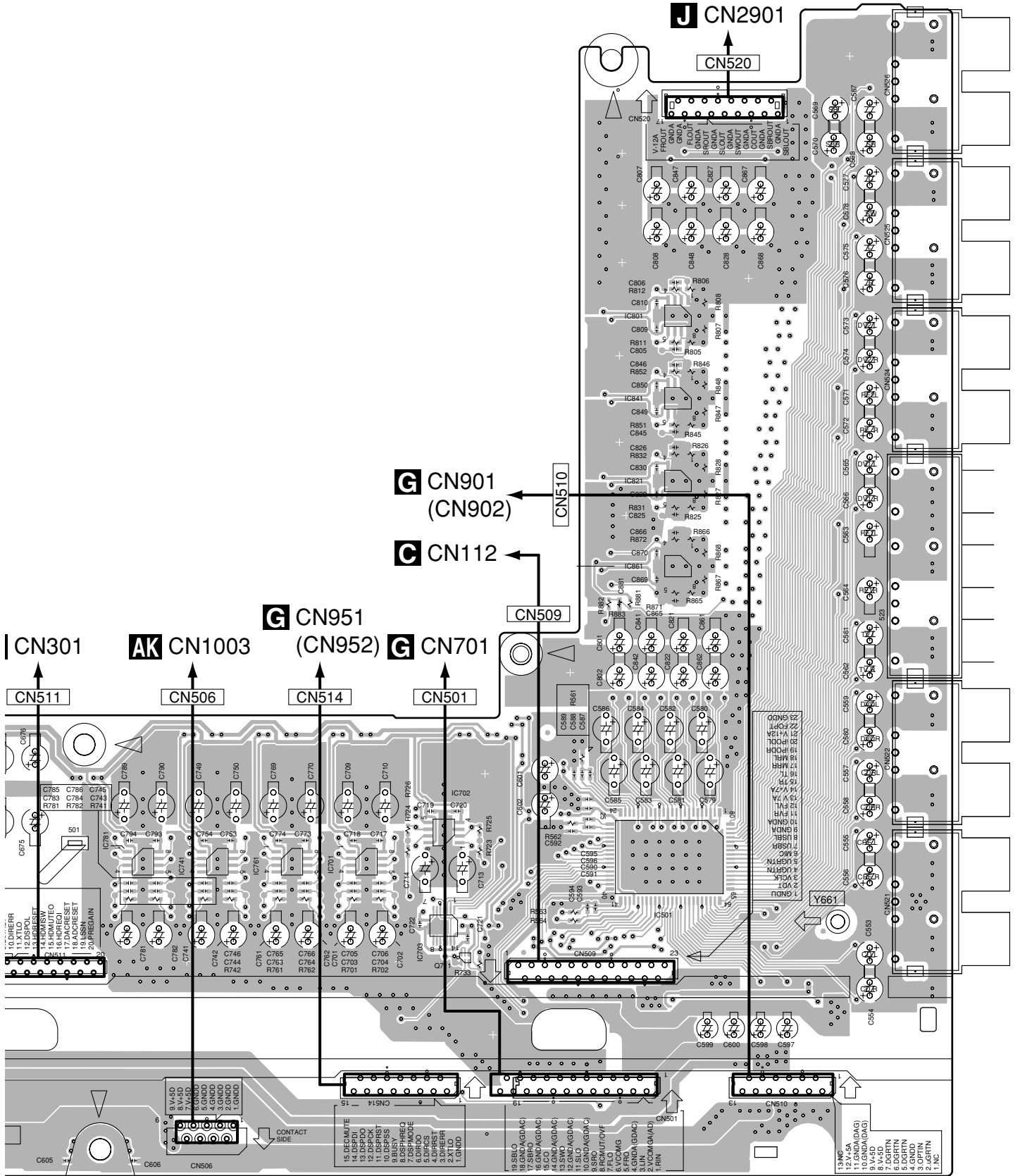
SIDE A

A AUDIO IN ASSY

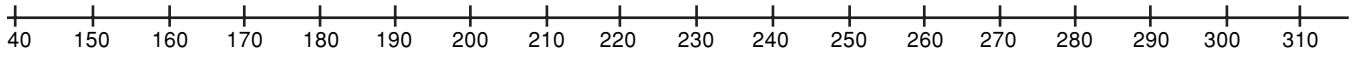


SIDE A

A
B
C
D
E
F



(ANP7560-C)



VSX-1016V-K

A

SIDE B

A

B

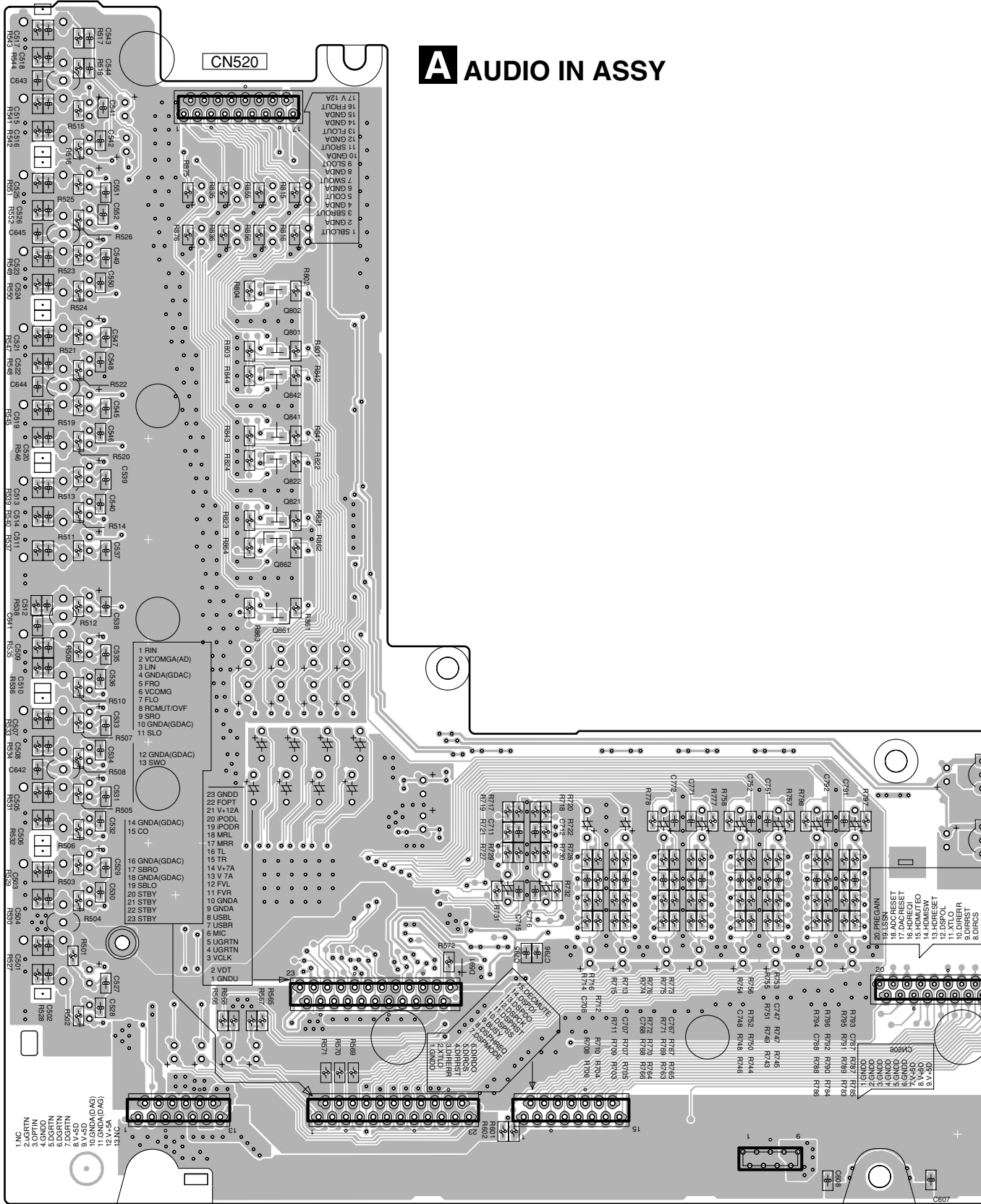
C

D

E

F

A AUDIO IN ASSY



(ANP7560-C)

CN510

CN509

CN514

CN506

CN511

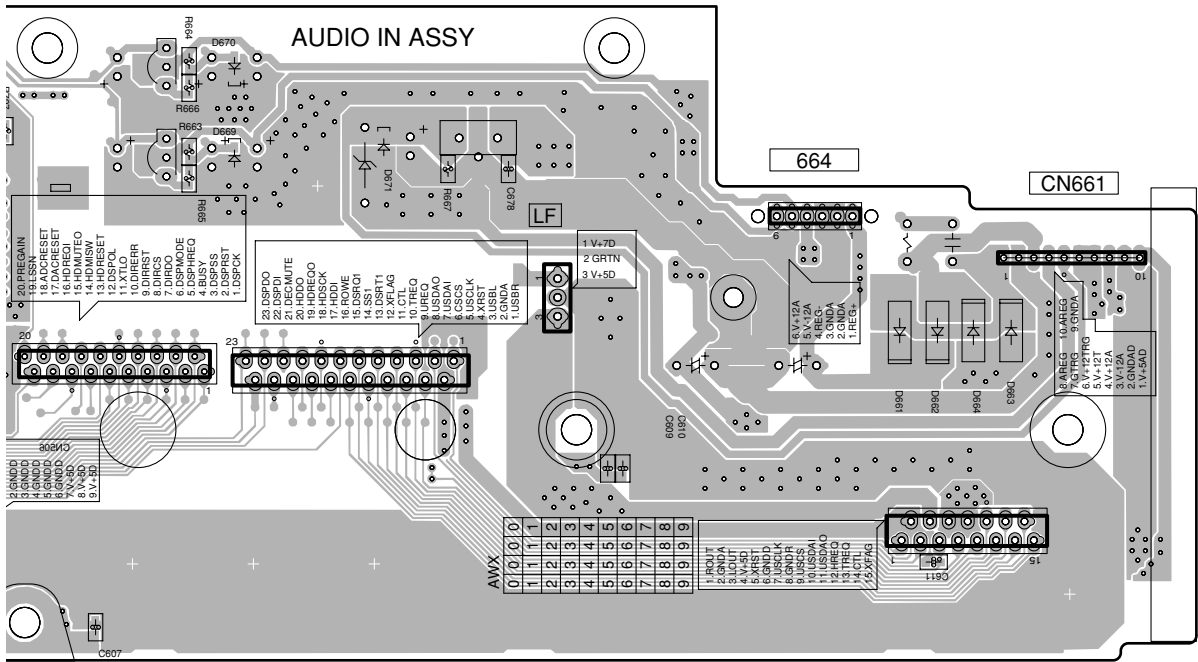
CN501

A

310 300 290 280 270 260 250 240 230 220 210 200 190 180 170 160 150 140

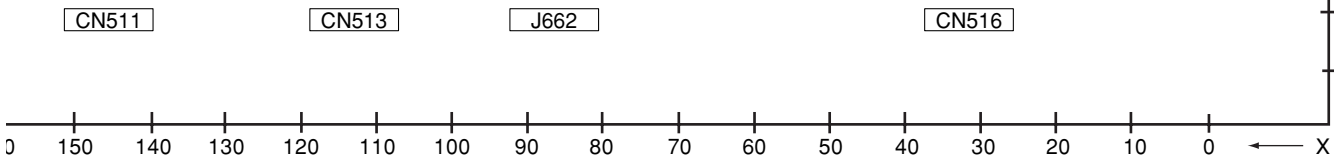
VSX-1016V-K

SIDE B



230
220
210
200
190
180
170
160
150
140
130
120
110
100
90
80
70
60
50
40
30
20
10
0

A
B
C
D
E
F

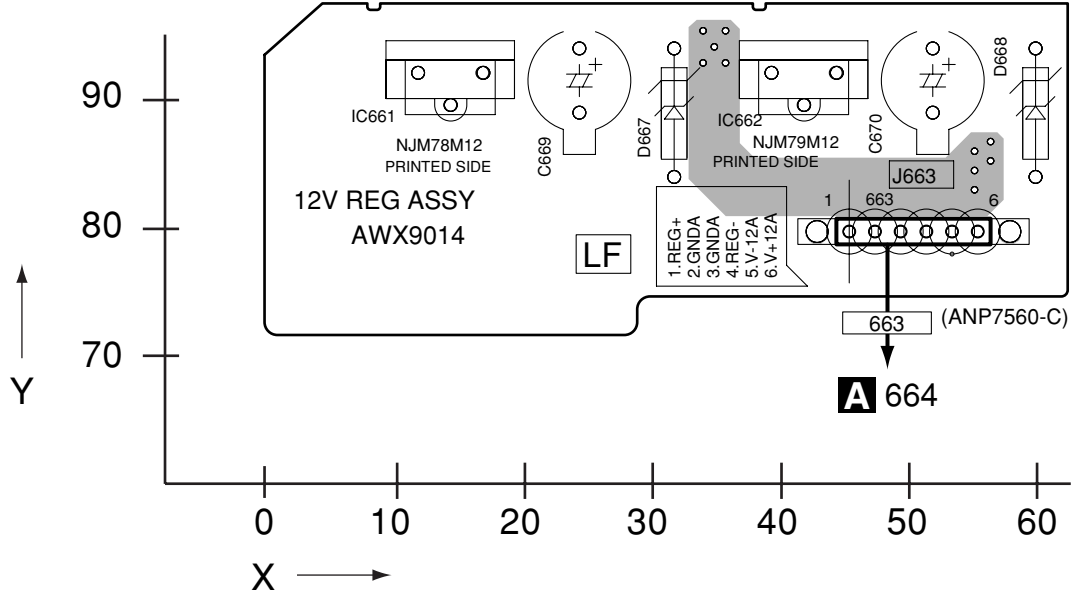


4.2 12V-REG ASSY

SIDE A

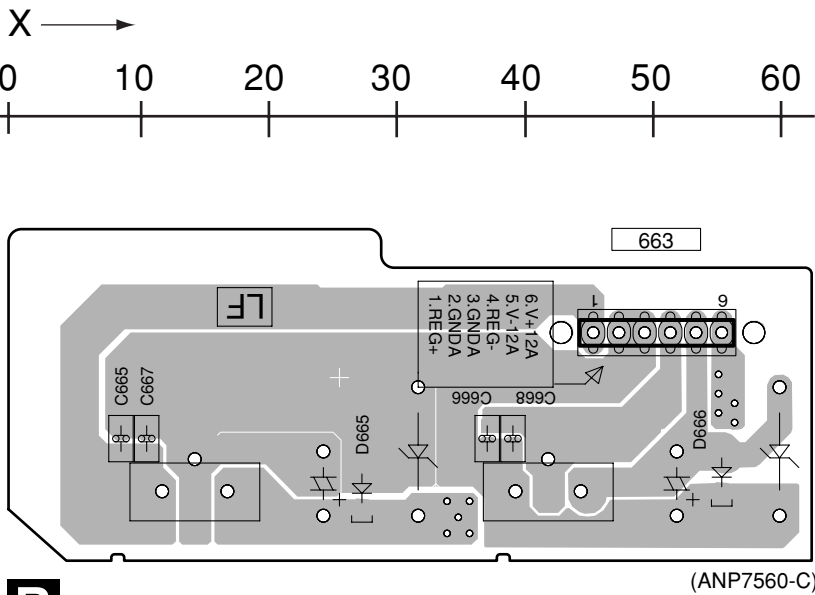
SIDE A

B 12V-REG ASSY



SIDE B

SIDE B



B 12V-REG ASSY

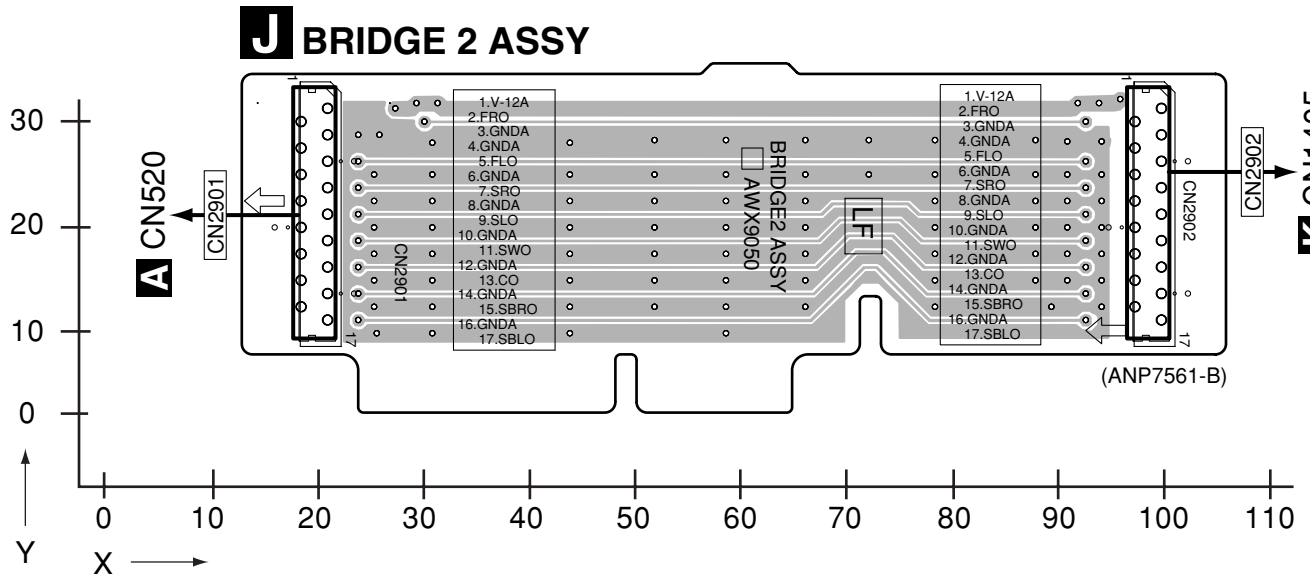
B

B

4.3 BRIDGE 2 ASSY

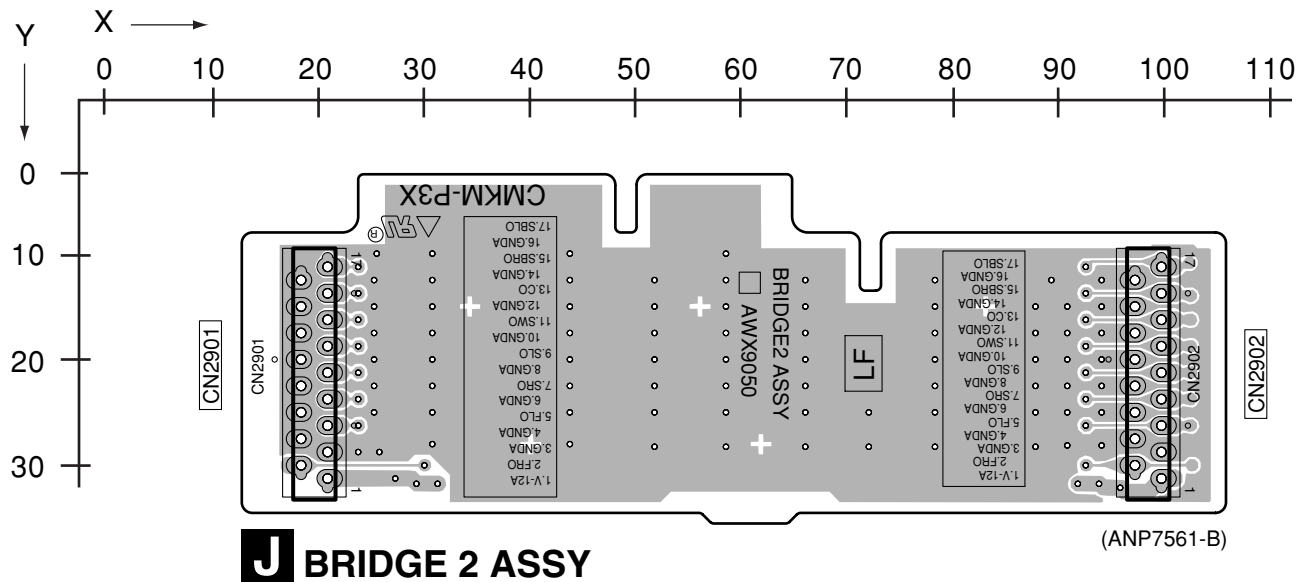
SIDE A

SIDE A



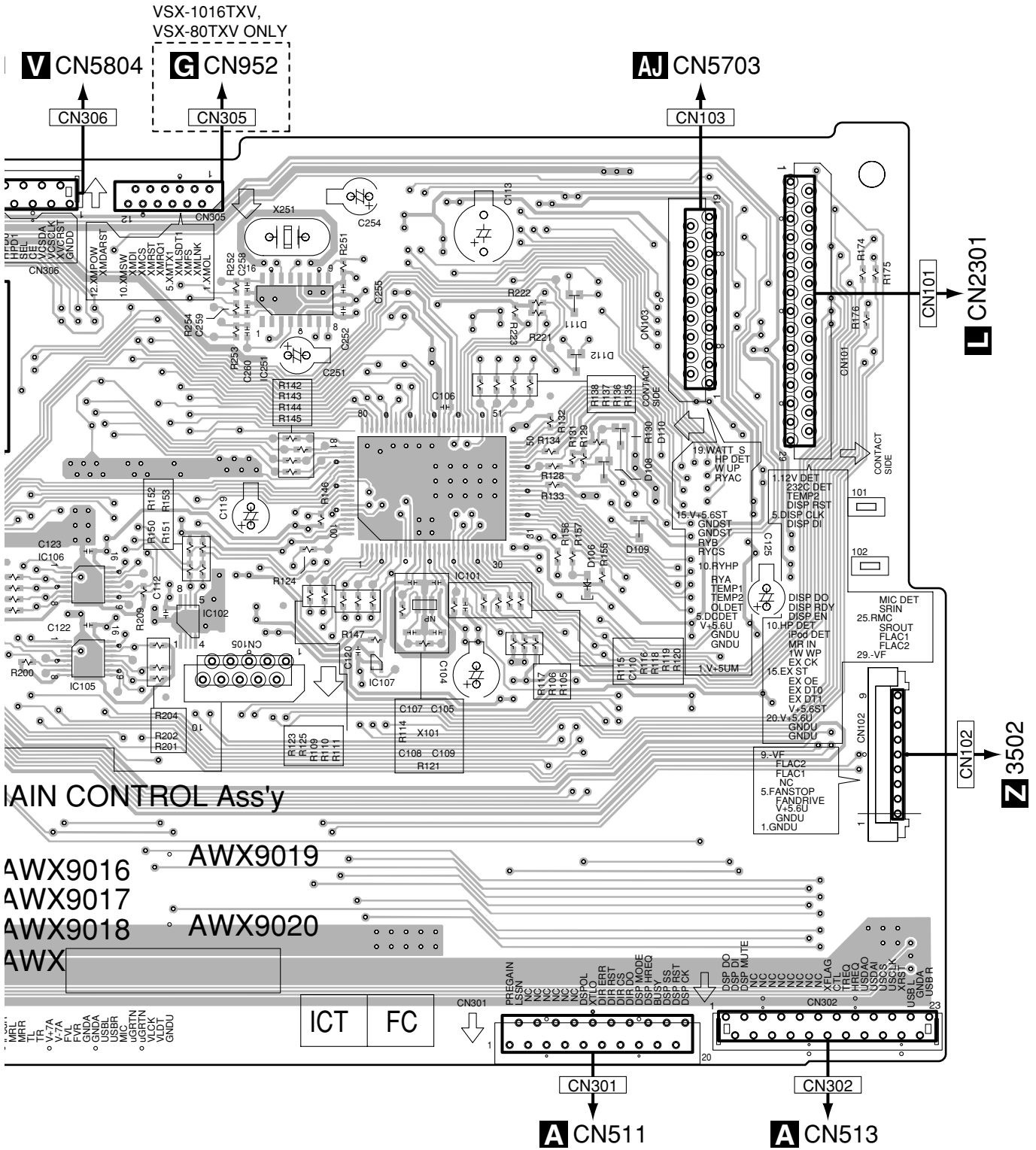
SIDE B

SIDE B



J

J

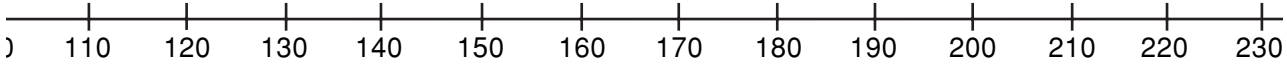


MAIN CONTROL Ass'y

- AWX9016
- AWX9017
- AWX9018
- AWX9019
- AWX9020

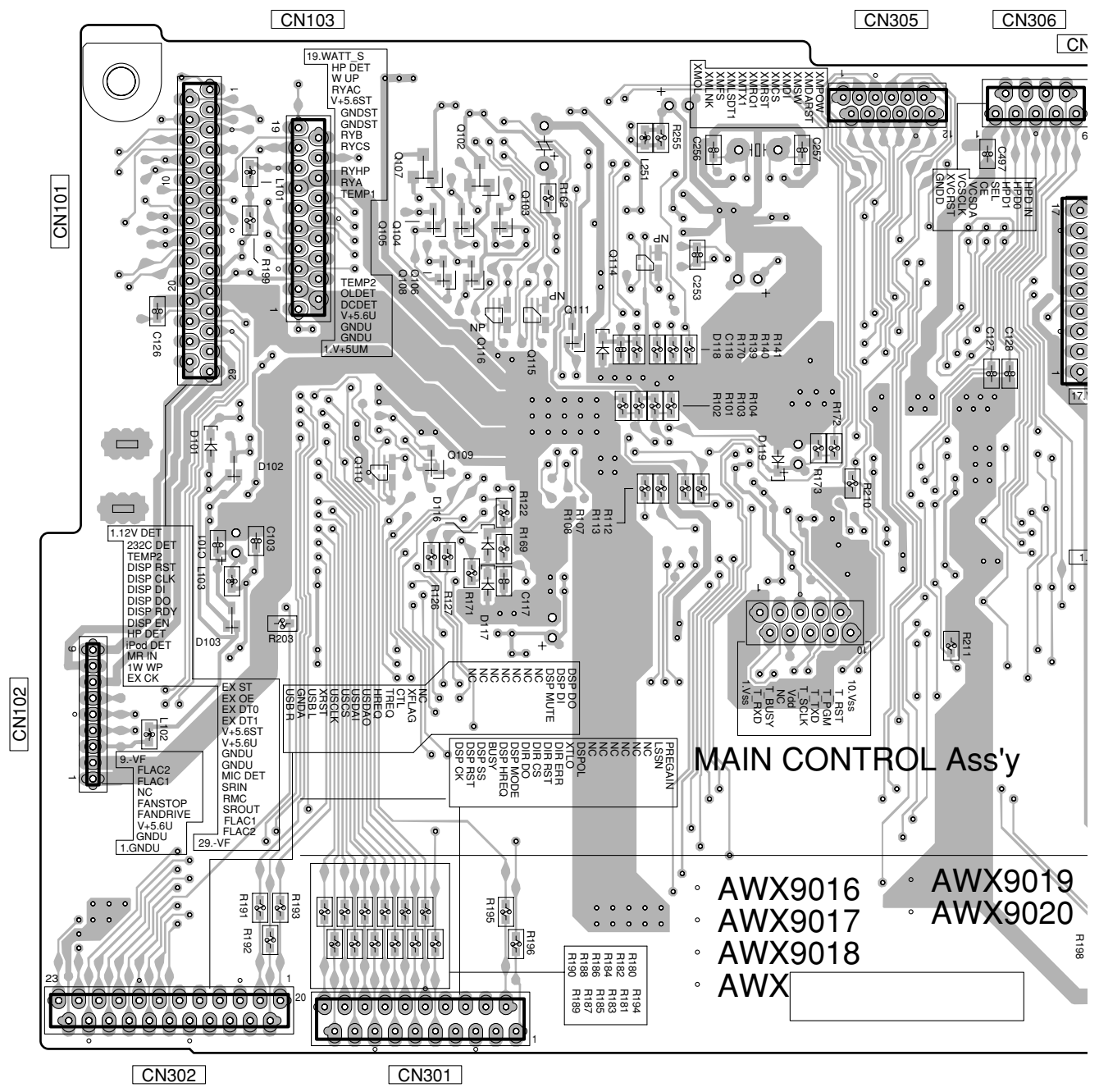
ICT FC

1 20



SIDE B

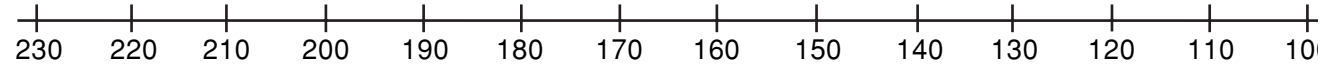
C MAIN CONTROL ASSY



MAIN CONTROL Ass'y

AWX9016
AWX9017
AWX9018
AWX

AWX9019
AWX9020



C

SIDE B

A

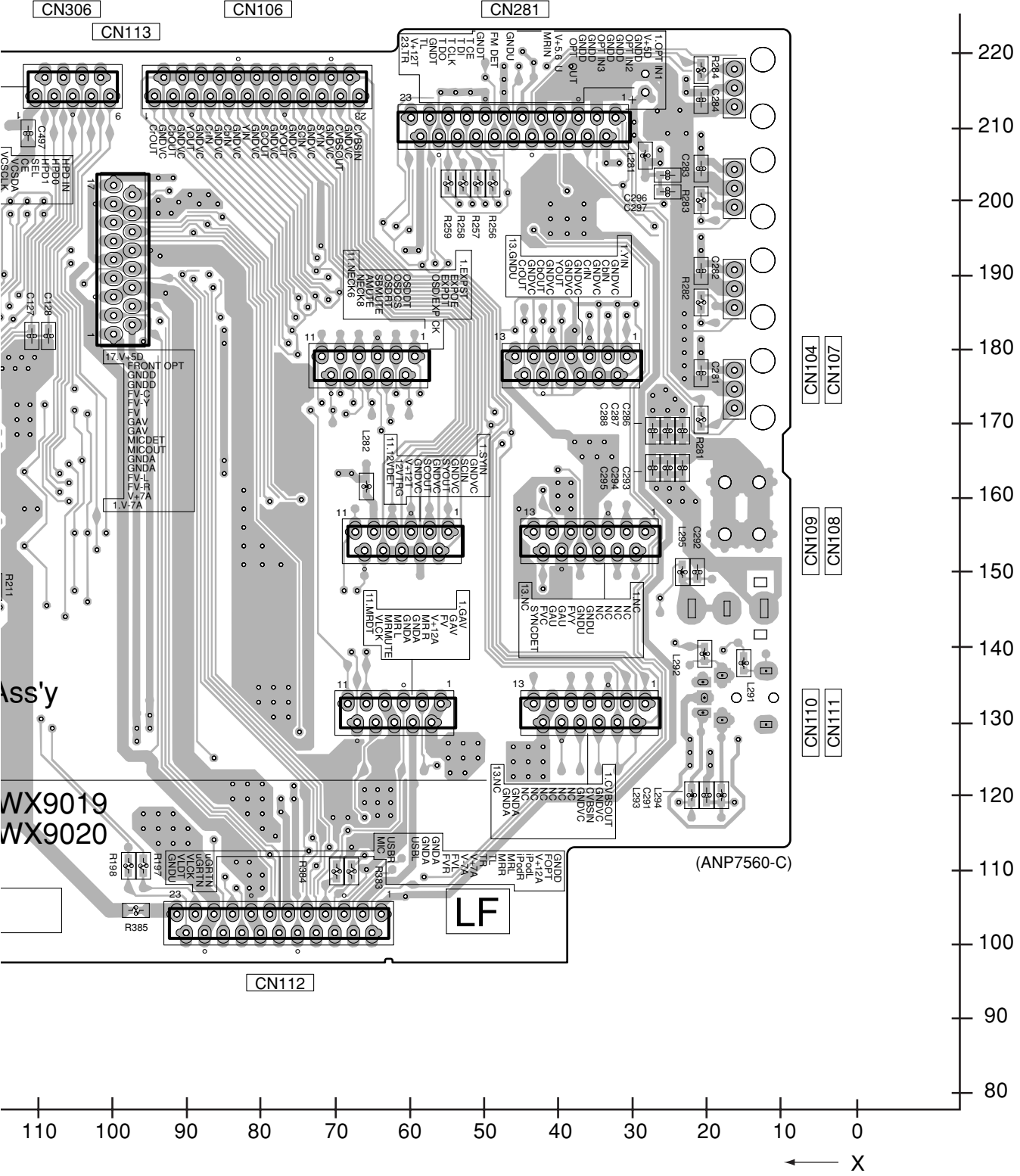
B

C

D

E

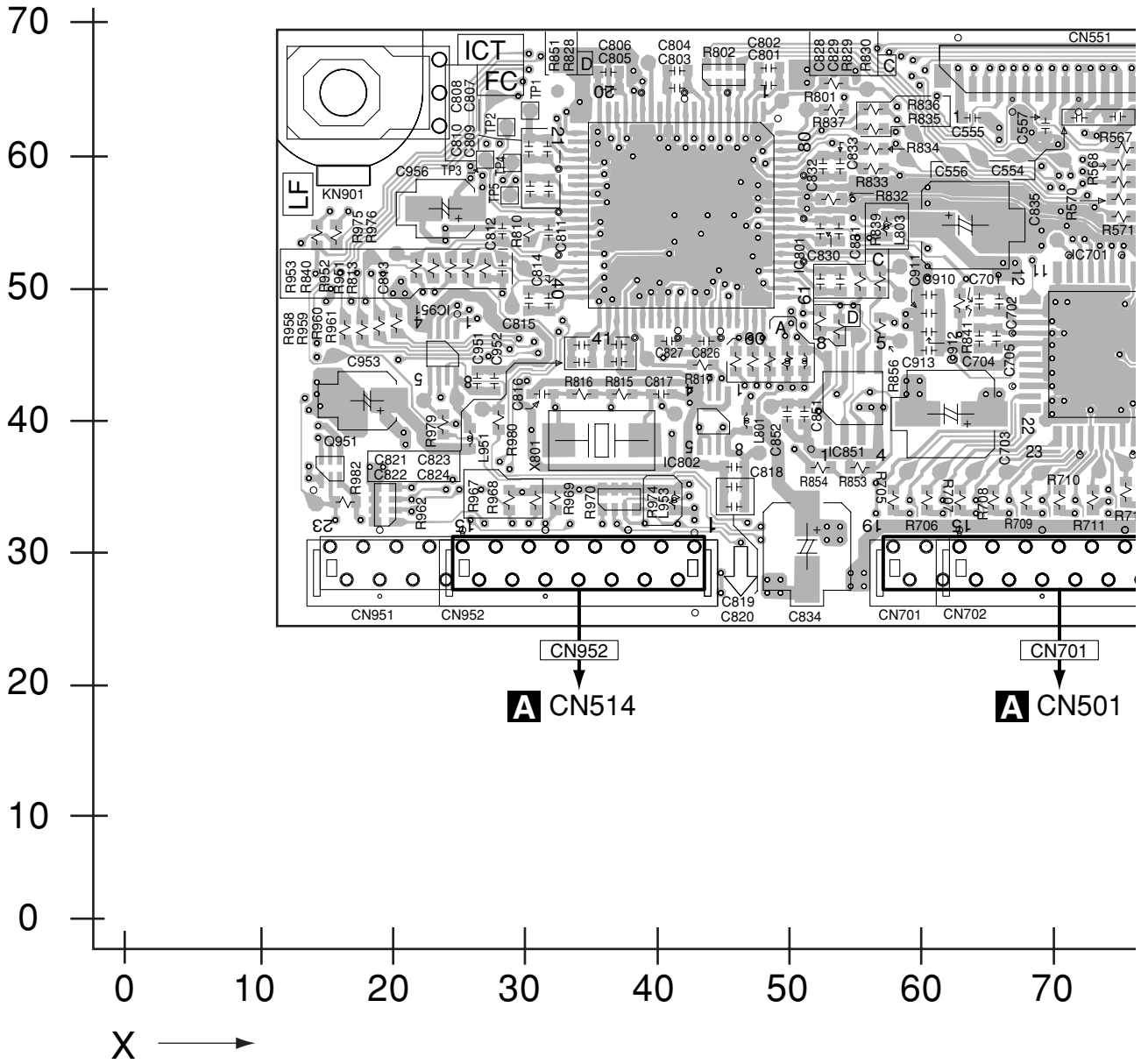
F



4.5 DSP ASSY (for VSX-1016V)

SIDE A

G DSP ASSY



G

SIDE A

A

B

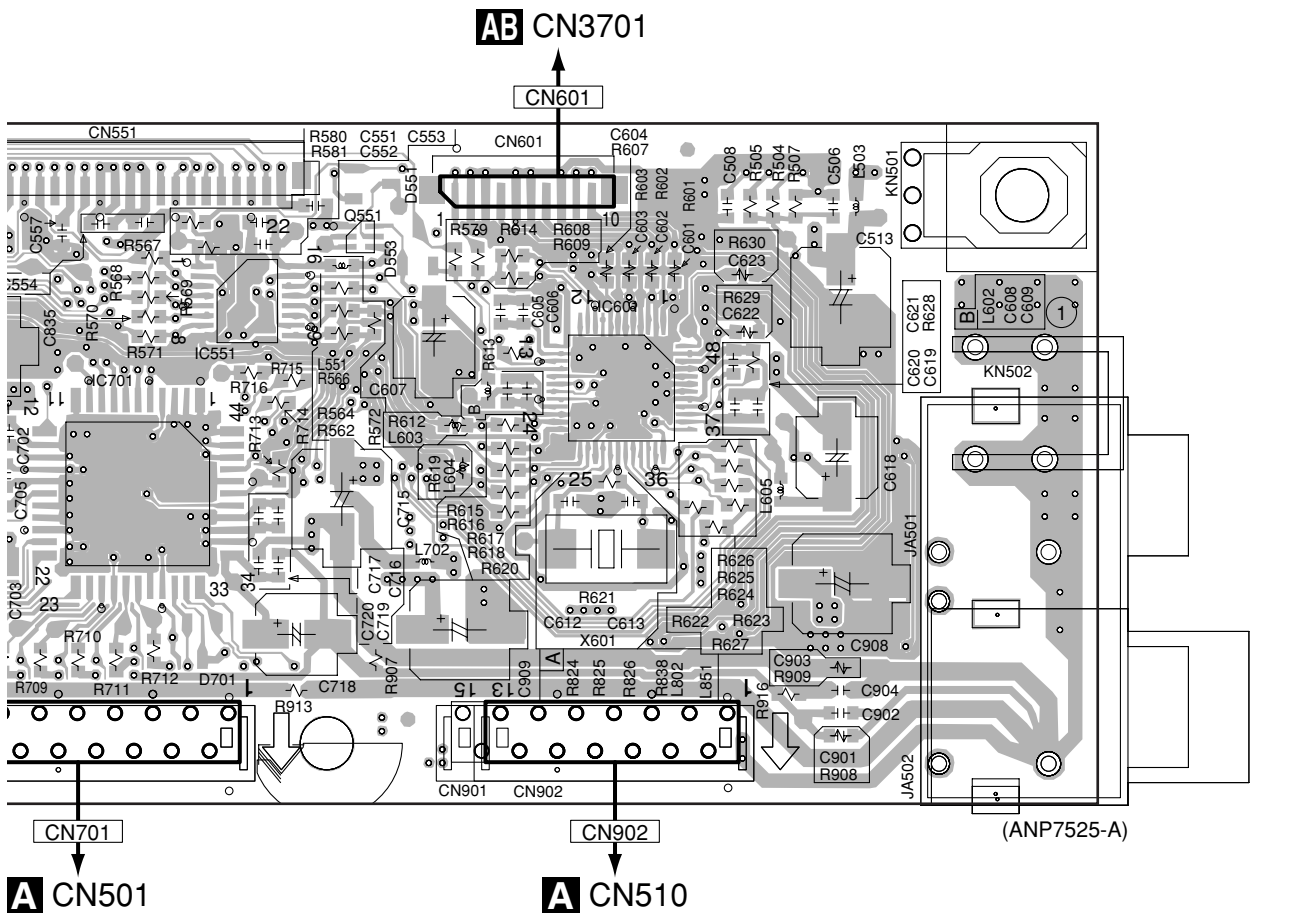
C

D

E

F

G



SIDE B

A

G DSP ASSY

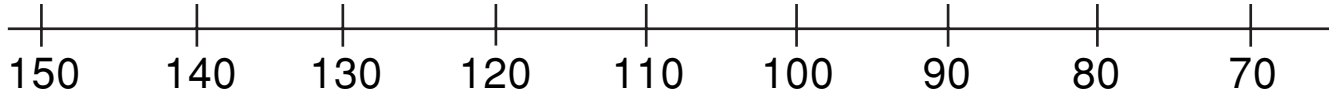
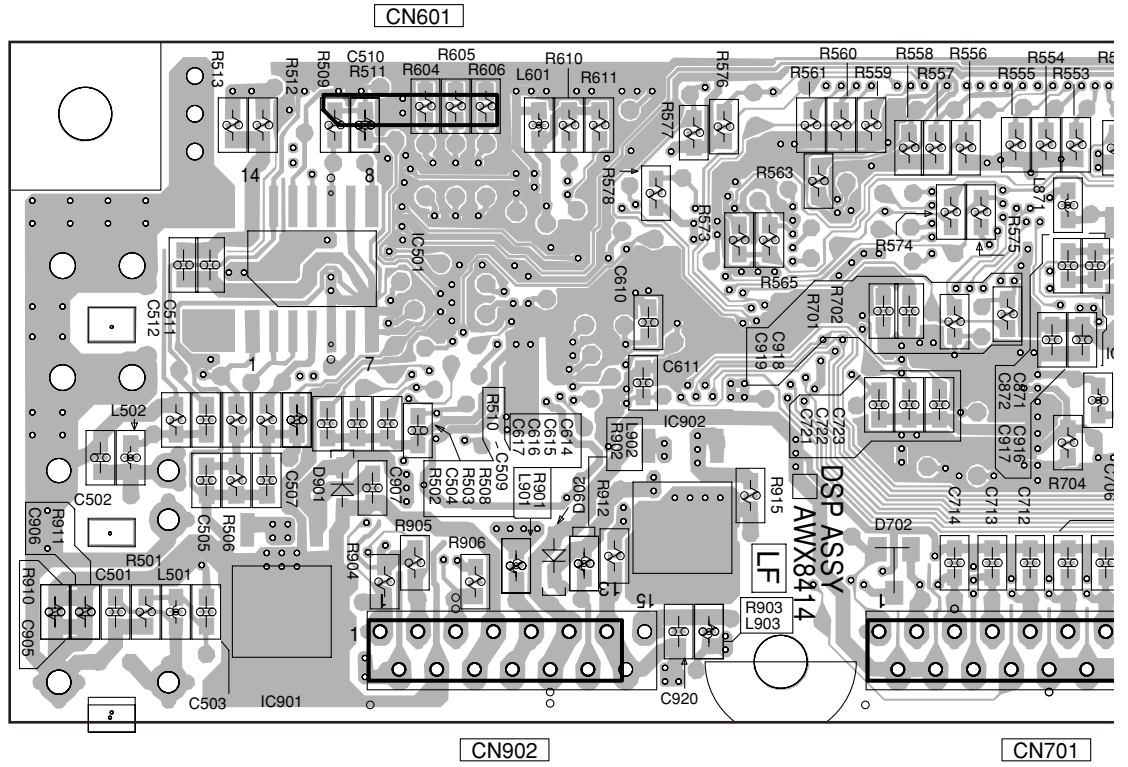
B

C

D

E

F



SIDE B

A

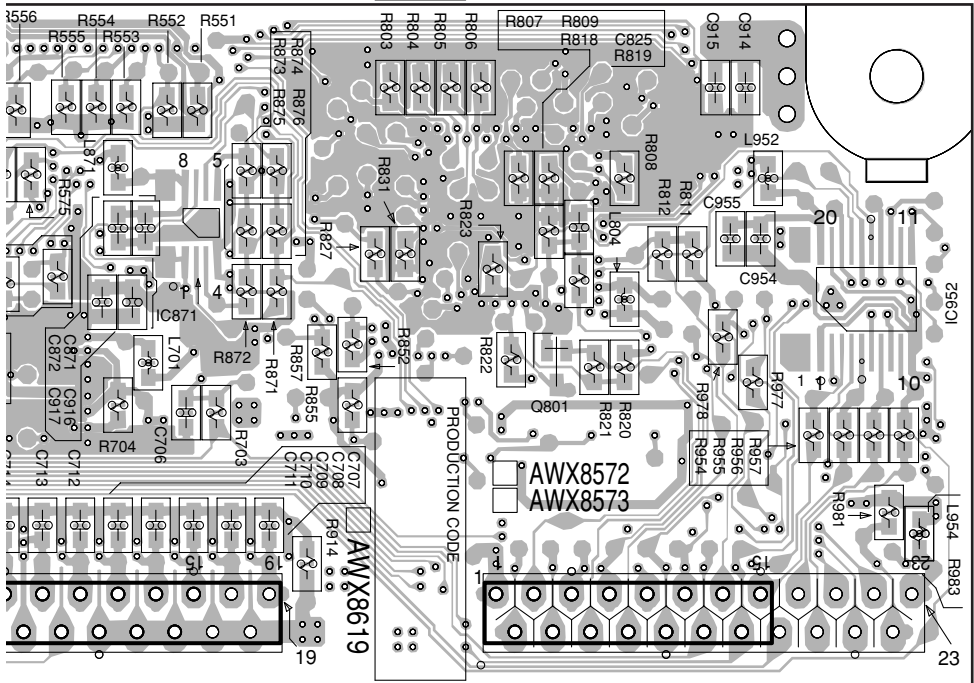
B

C

D

E

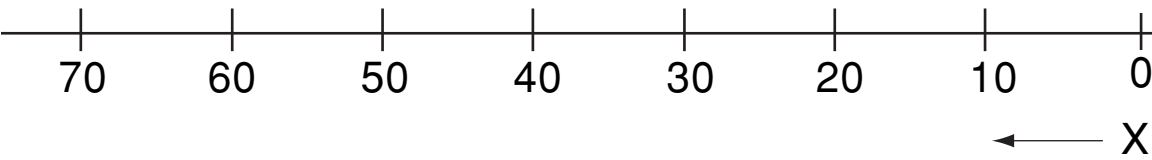
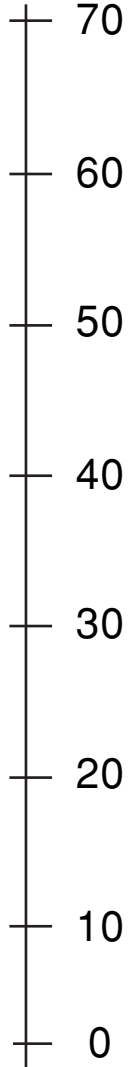
F



CN701

CN952

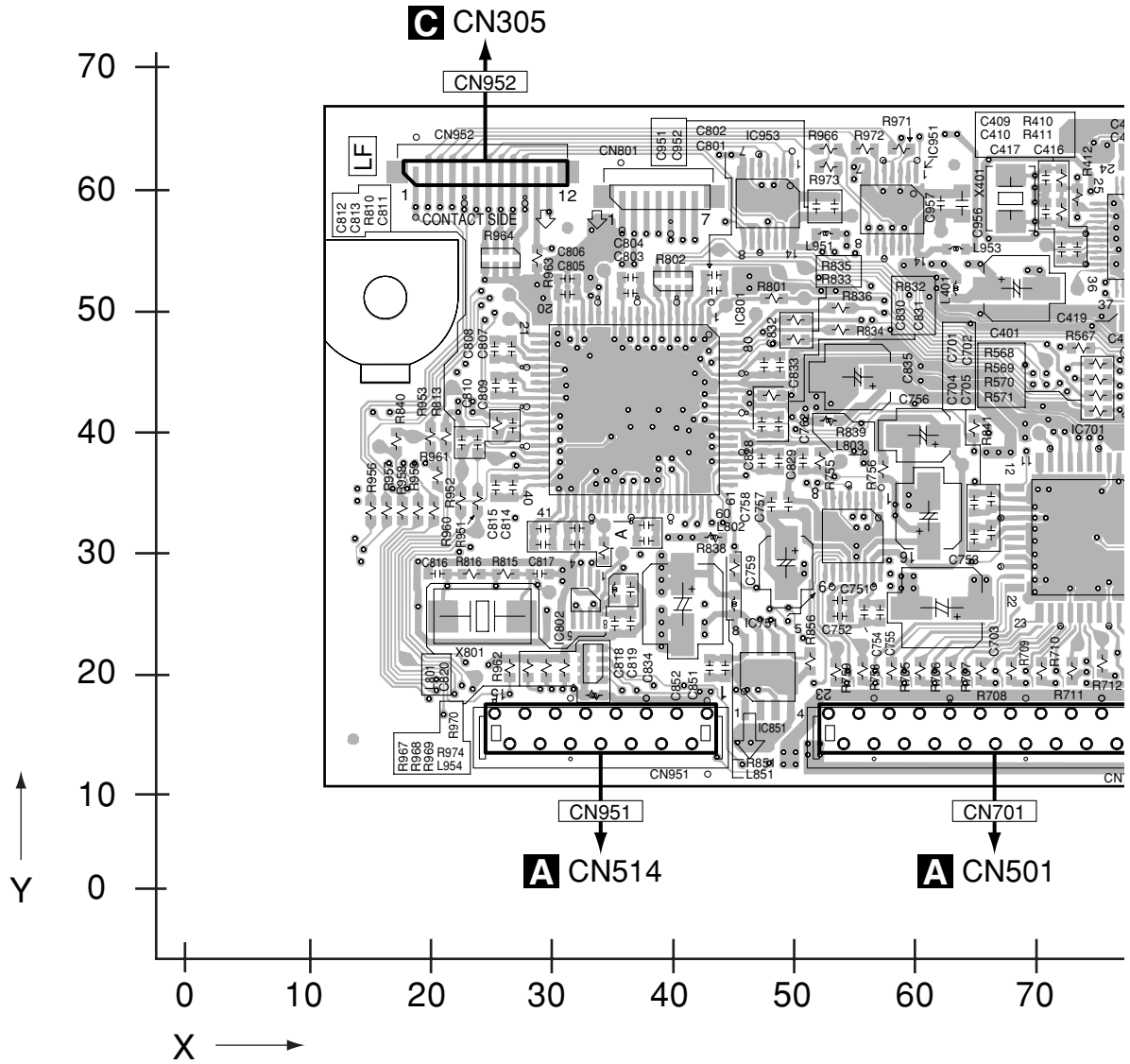
(ANP7525-A)



4.6 DSP ASSY (for VSX-1016TXV and VSX-80TXV)

SIDE A

G DSP ASSY



G

SIDE A

A

B

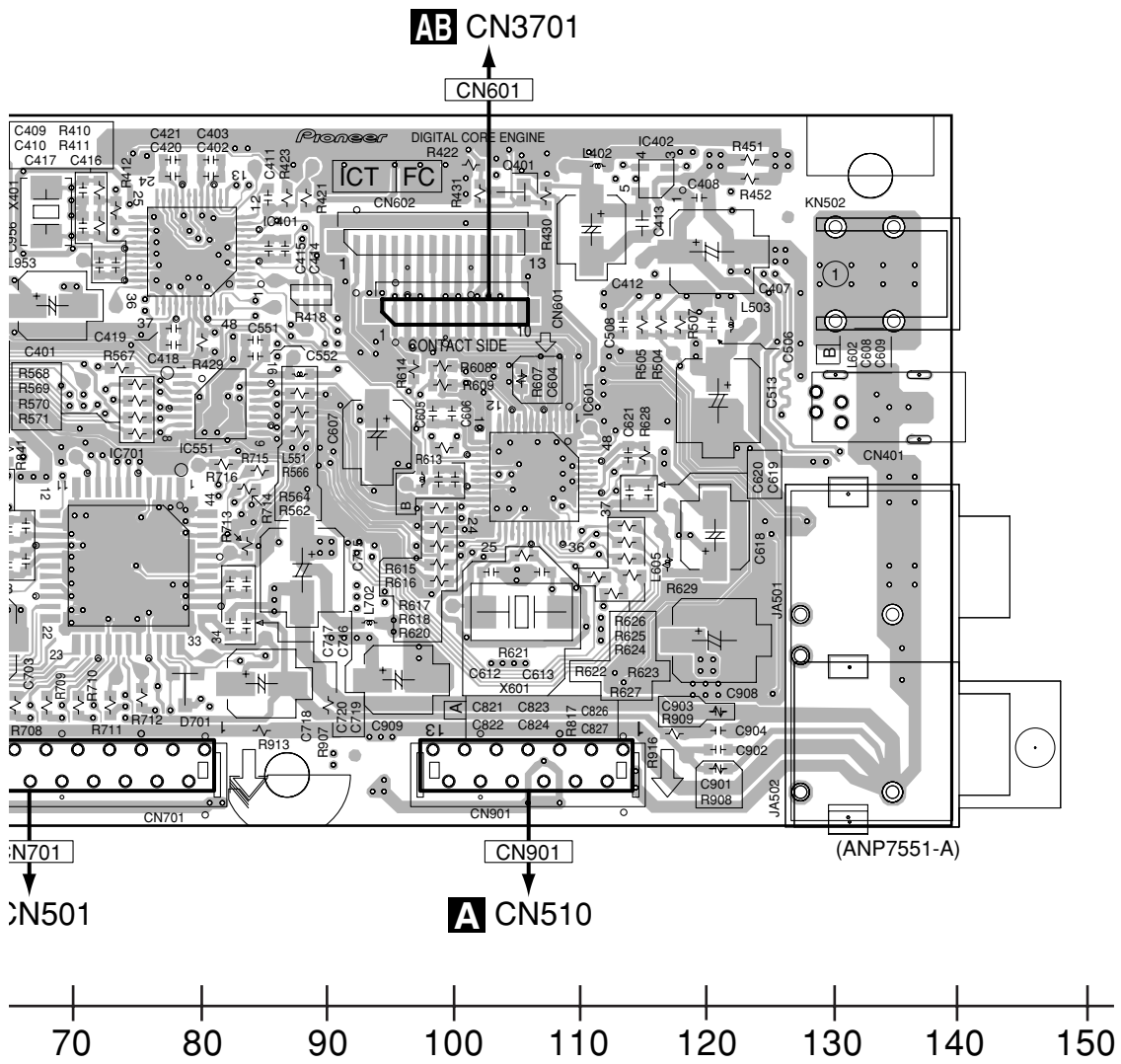
C

D

E

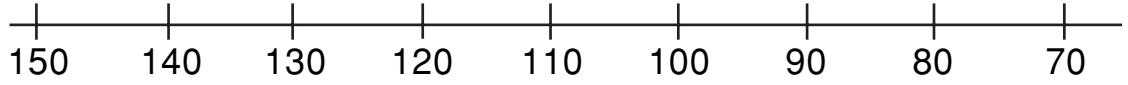
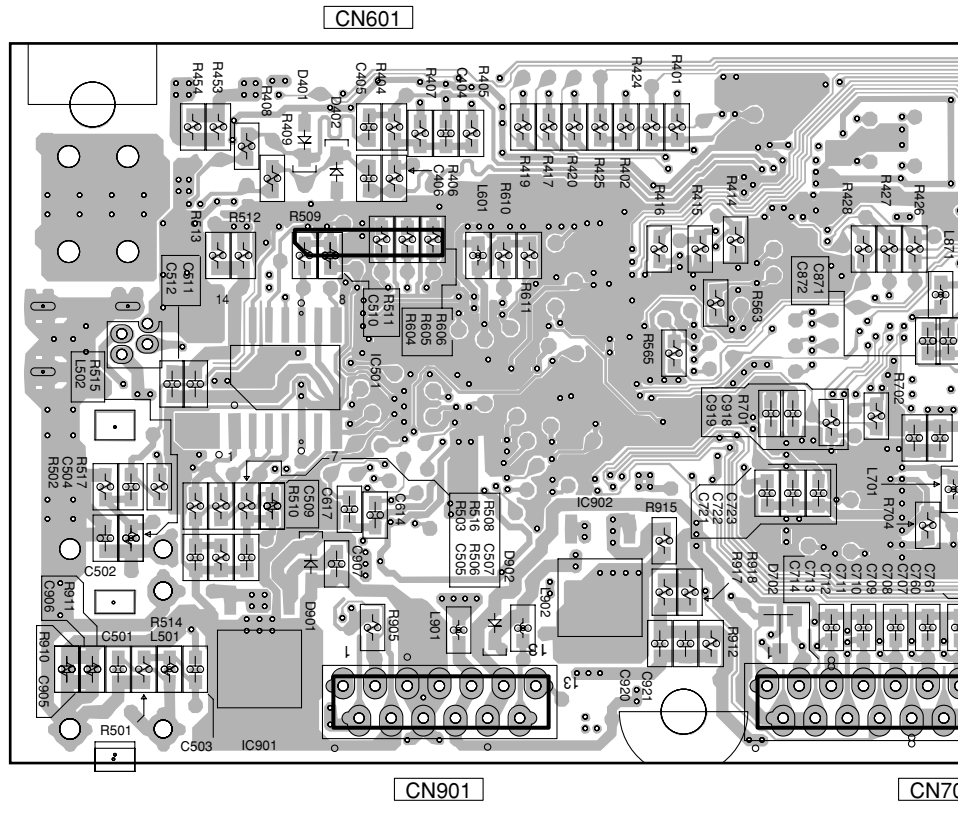
F

G



SIDE B

G DSP ASSY



SIDE B

A

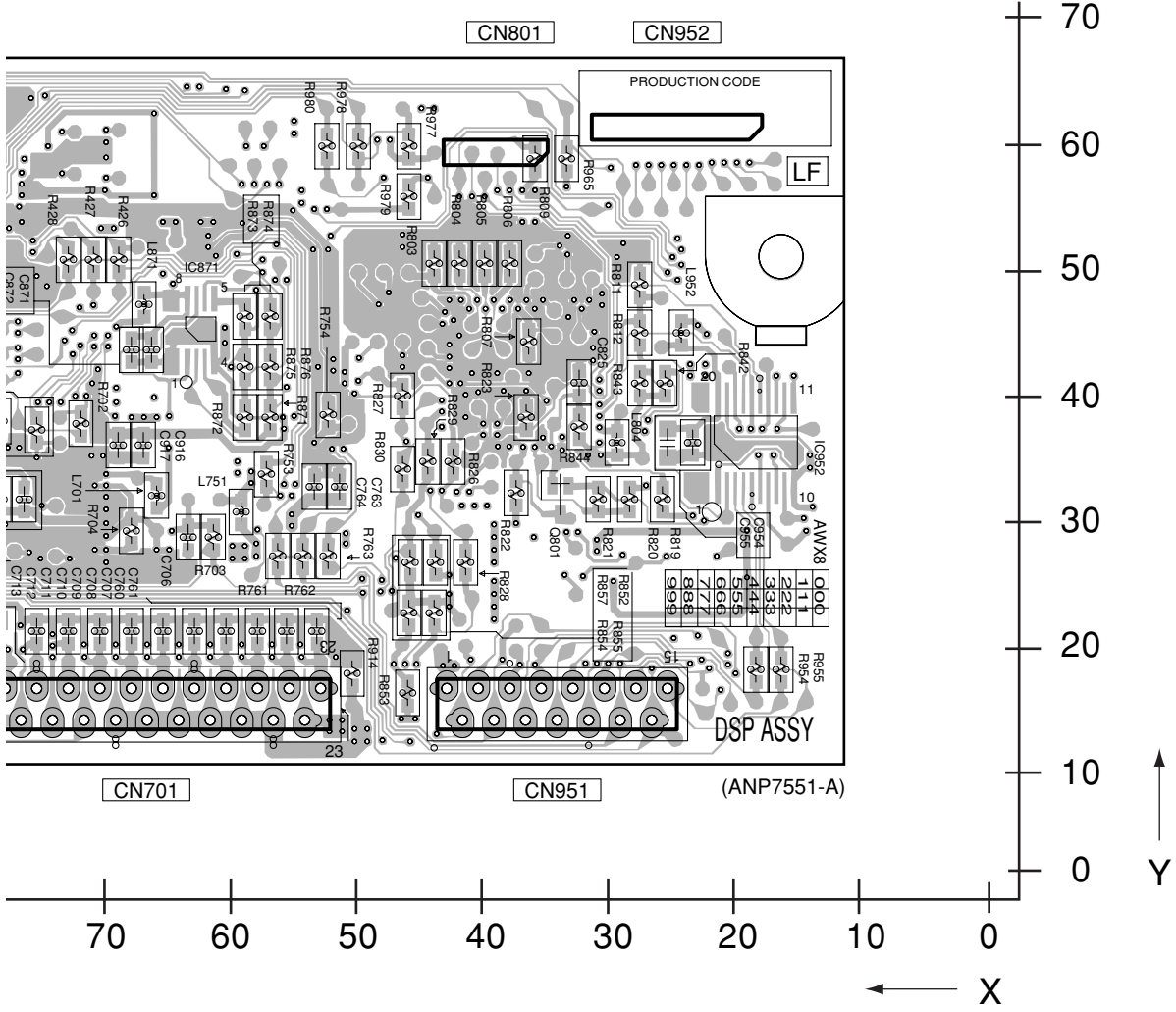
B

C

D

E

F



SIDE B

A

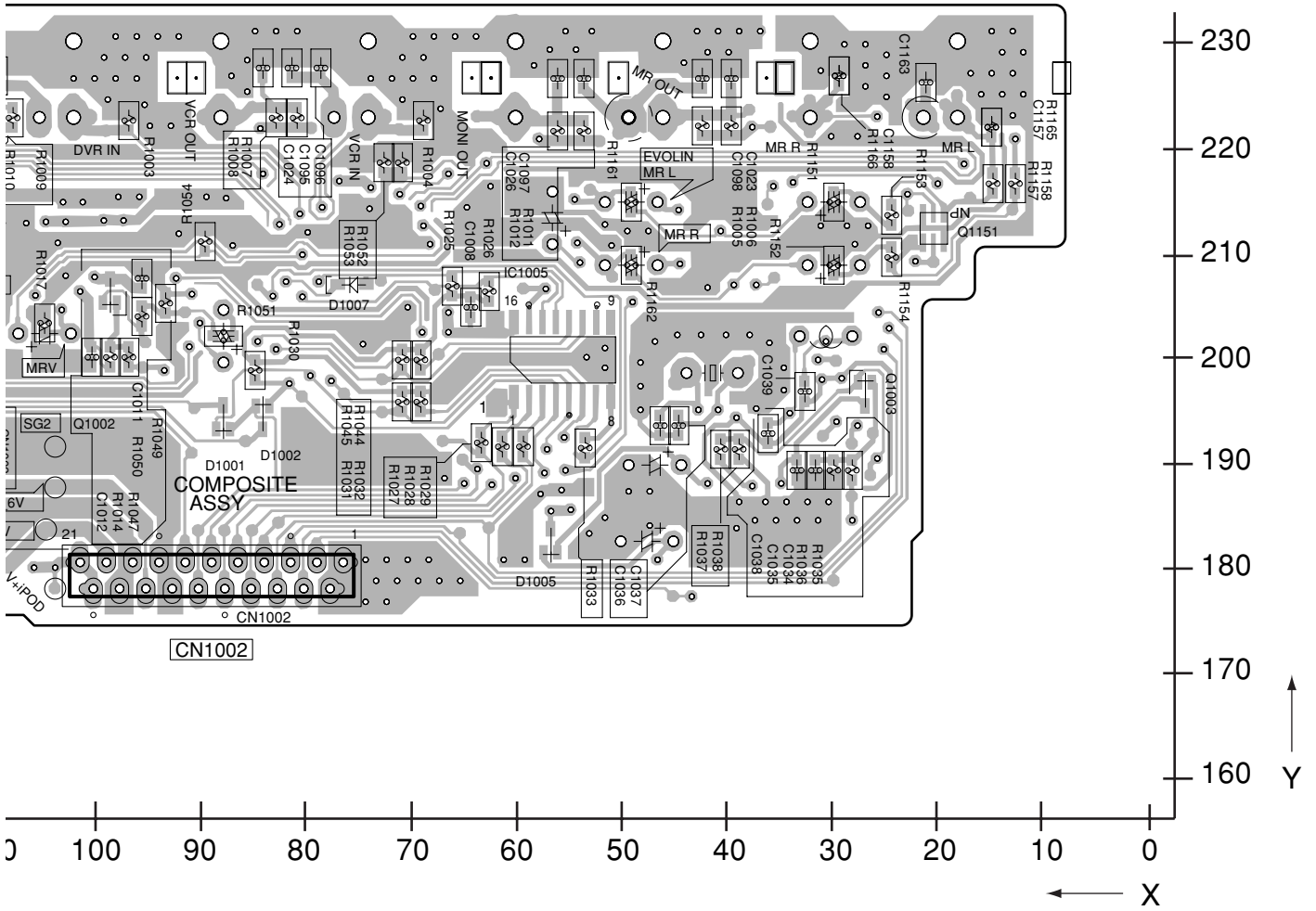
B

C

D

E

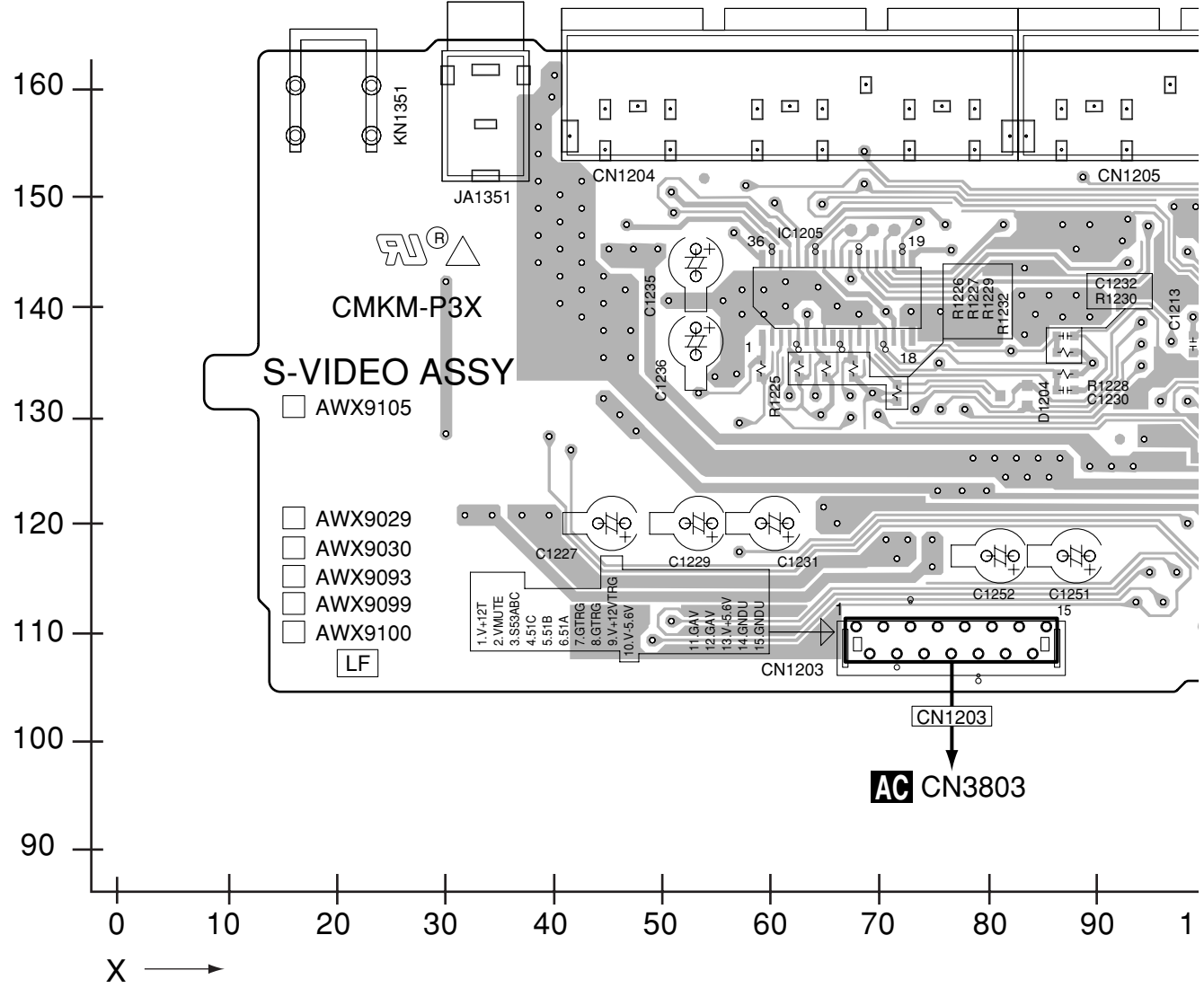
F



4.8 S-VIDEO ASSY

SIDE A

S-VIDEO ASSY

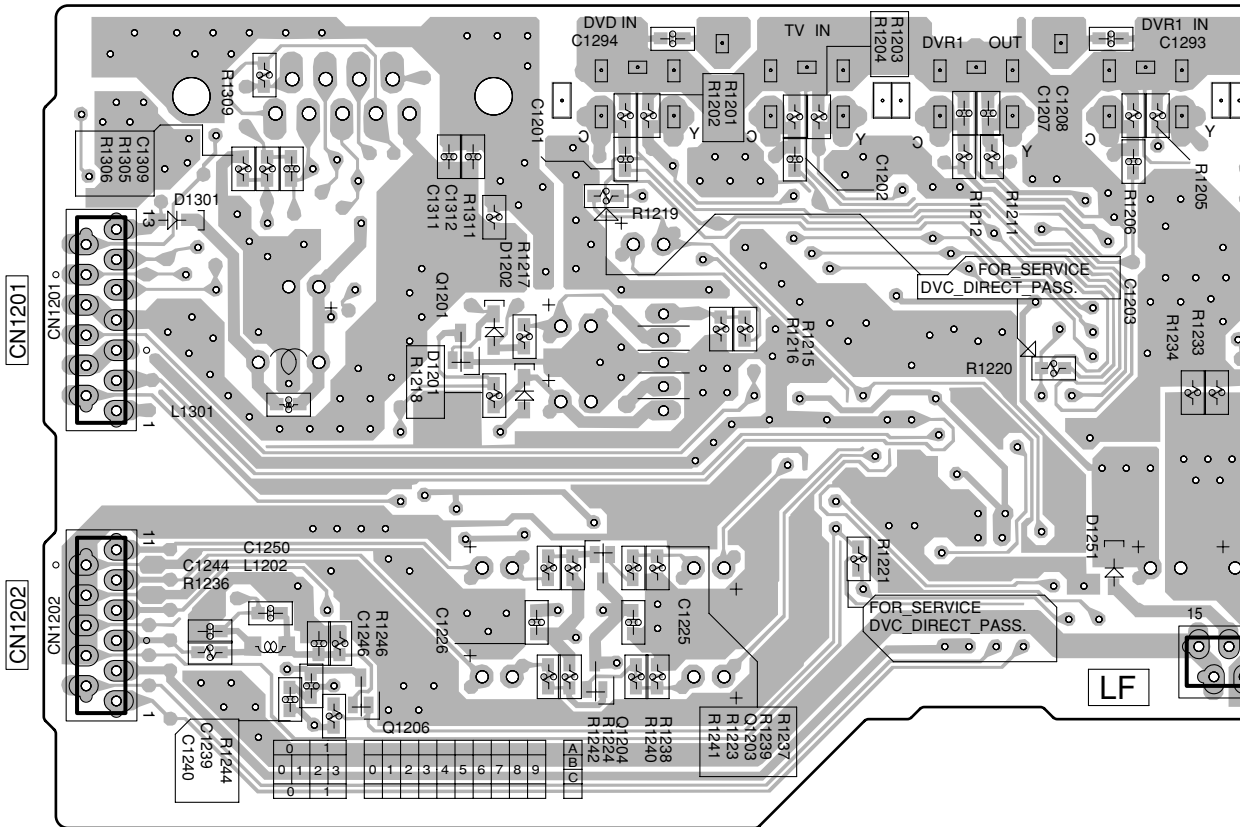


SIDE B

A

S-VIDEO ASSY

B

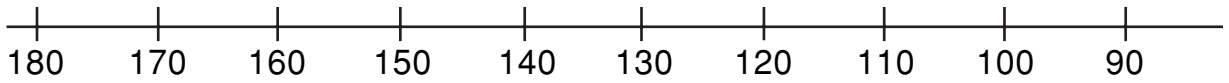


C

D

E

F



SIDE B

A

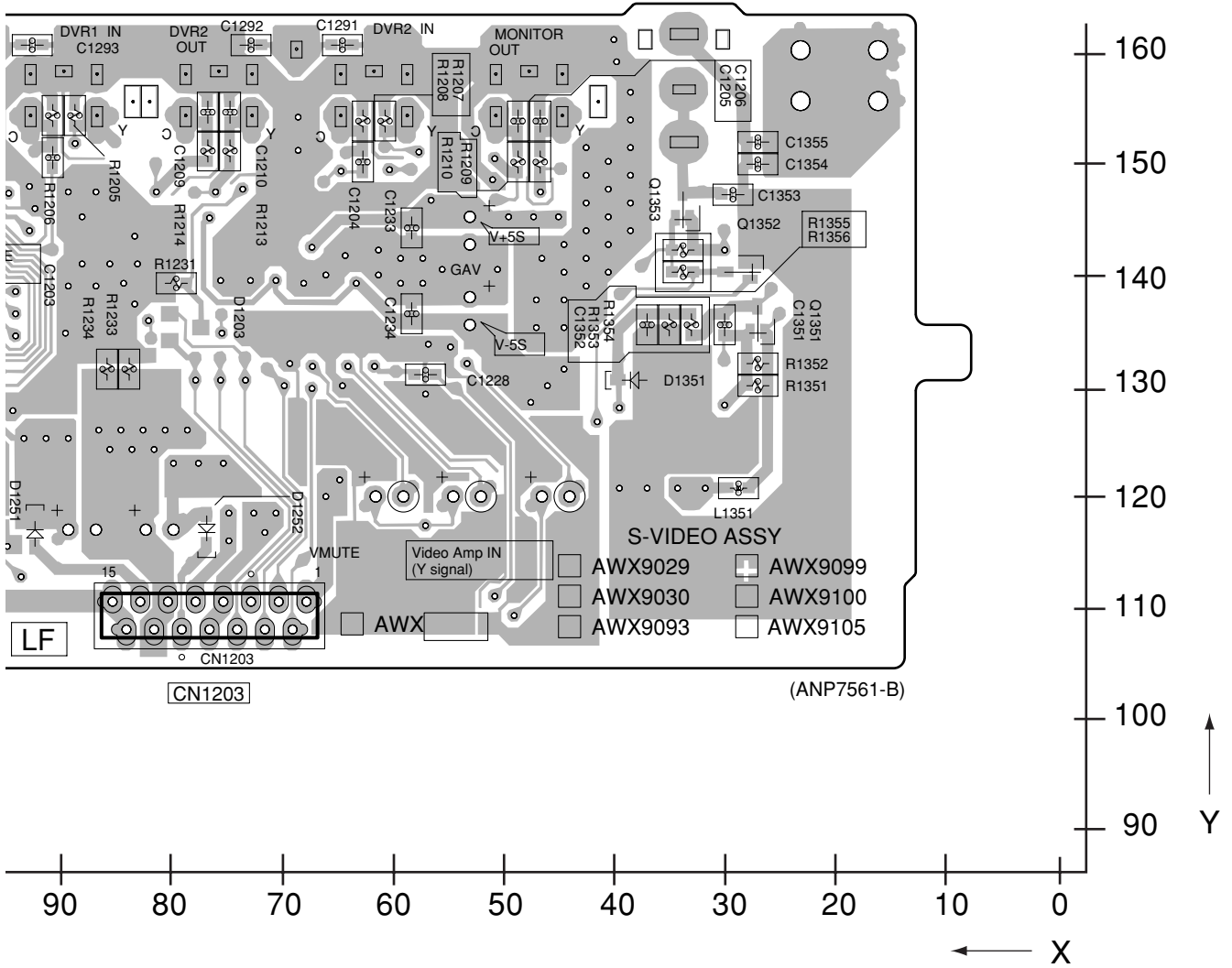
B

C

D

E

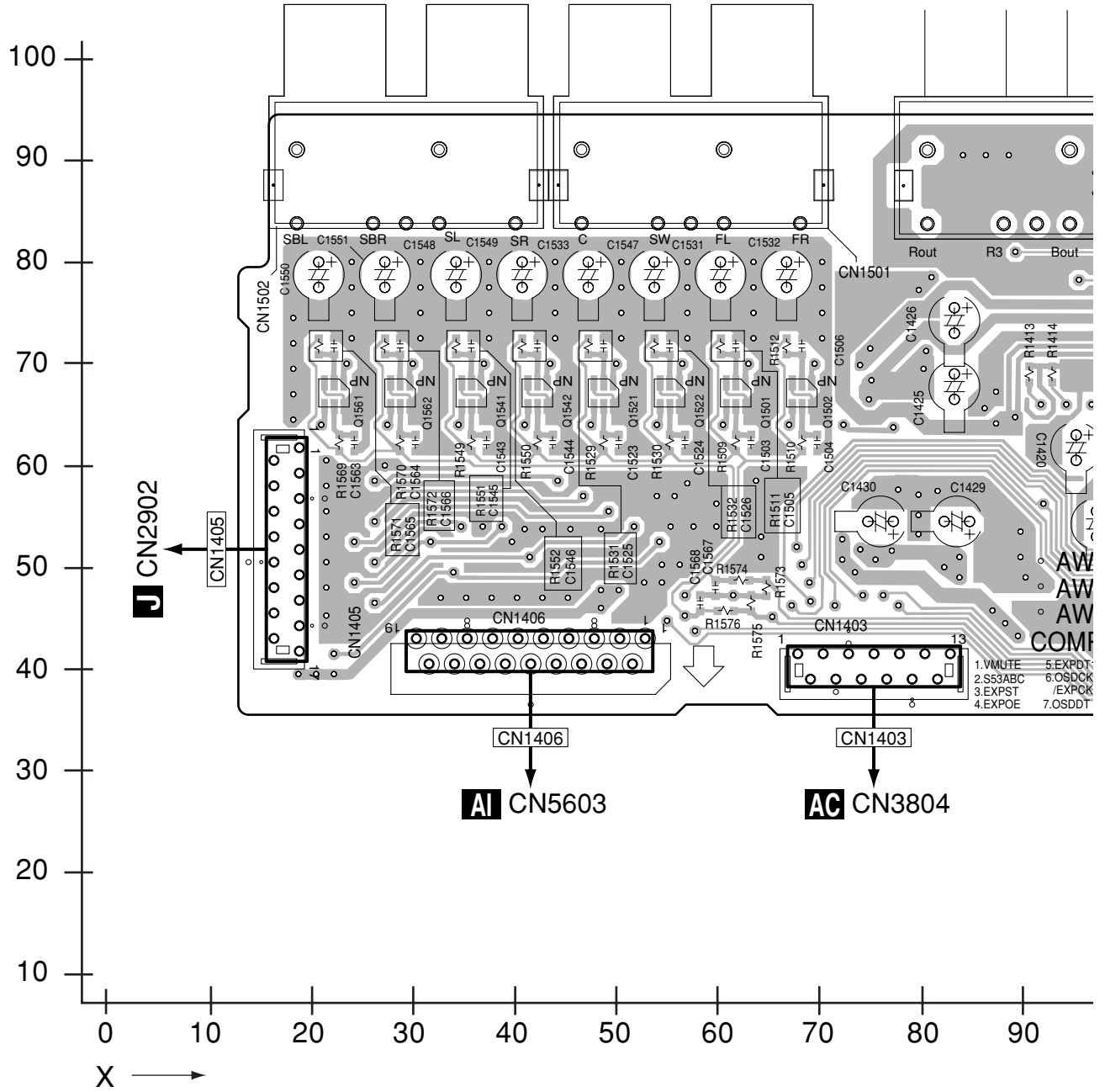
F



4.9 COMPONENT ASSY

SIDE A

K COMPONENT ASSY



K

A

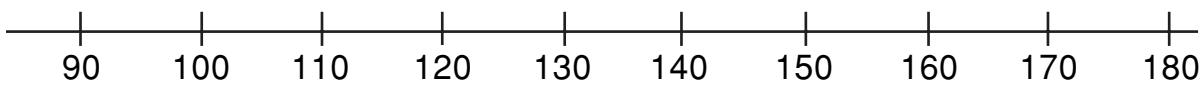
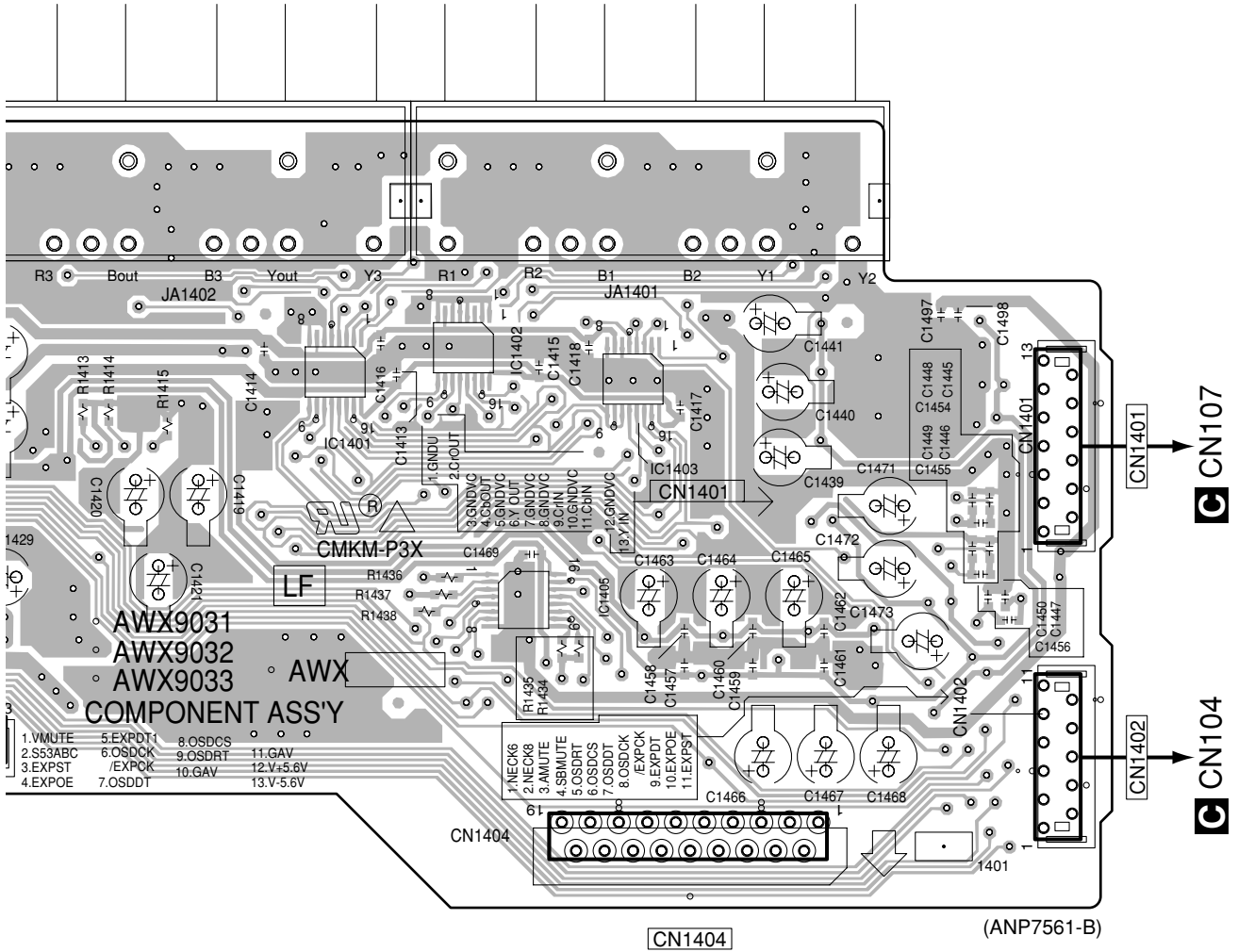
B

C

D

E

F



5

6

7

8

SIDE B

A

B

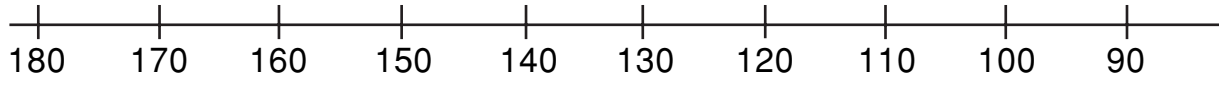
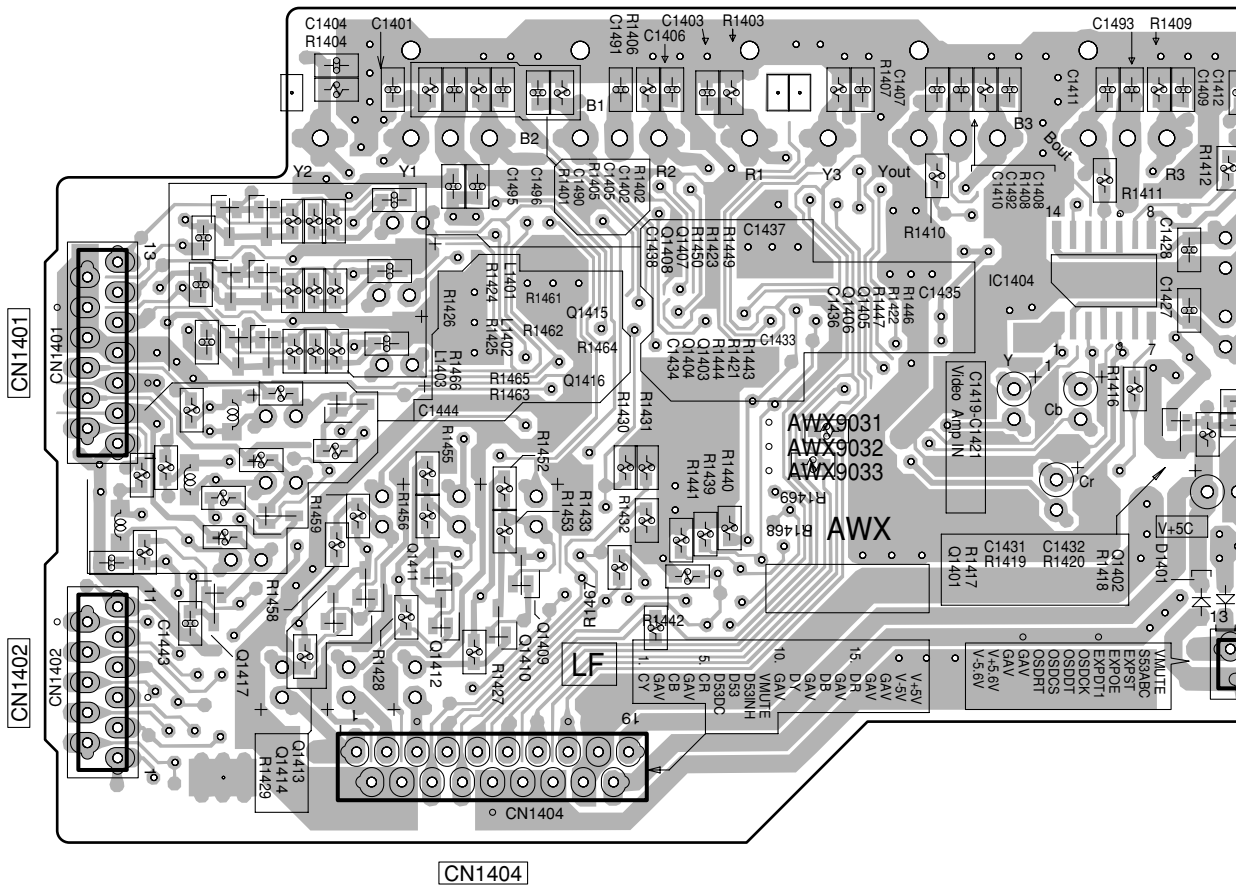
K COMPONENT ASSY

C

D

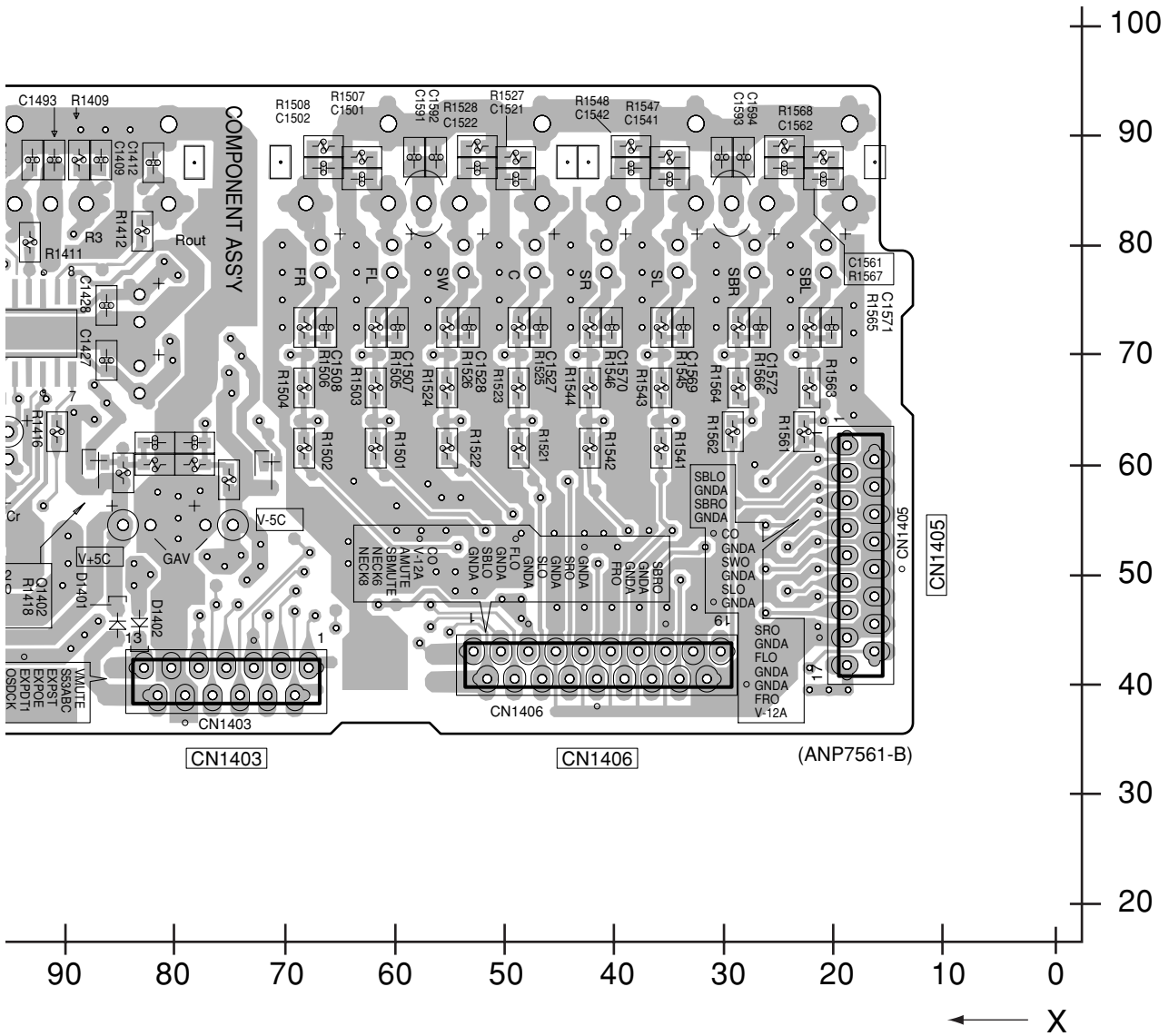
E

F



SIDE B

A
B
C
D
E
F



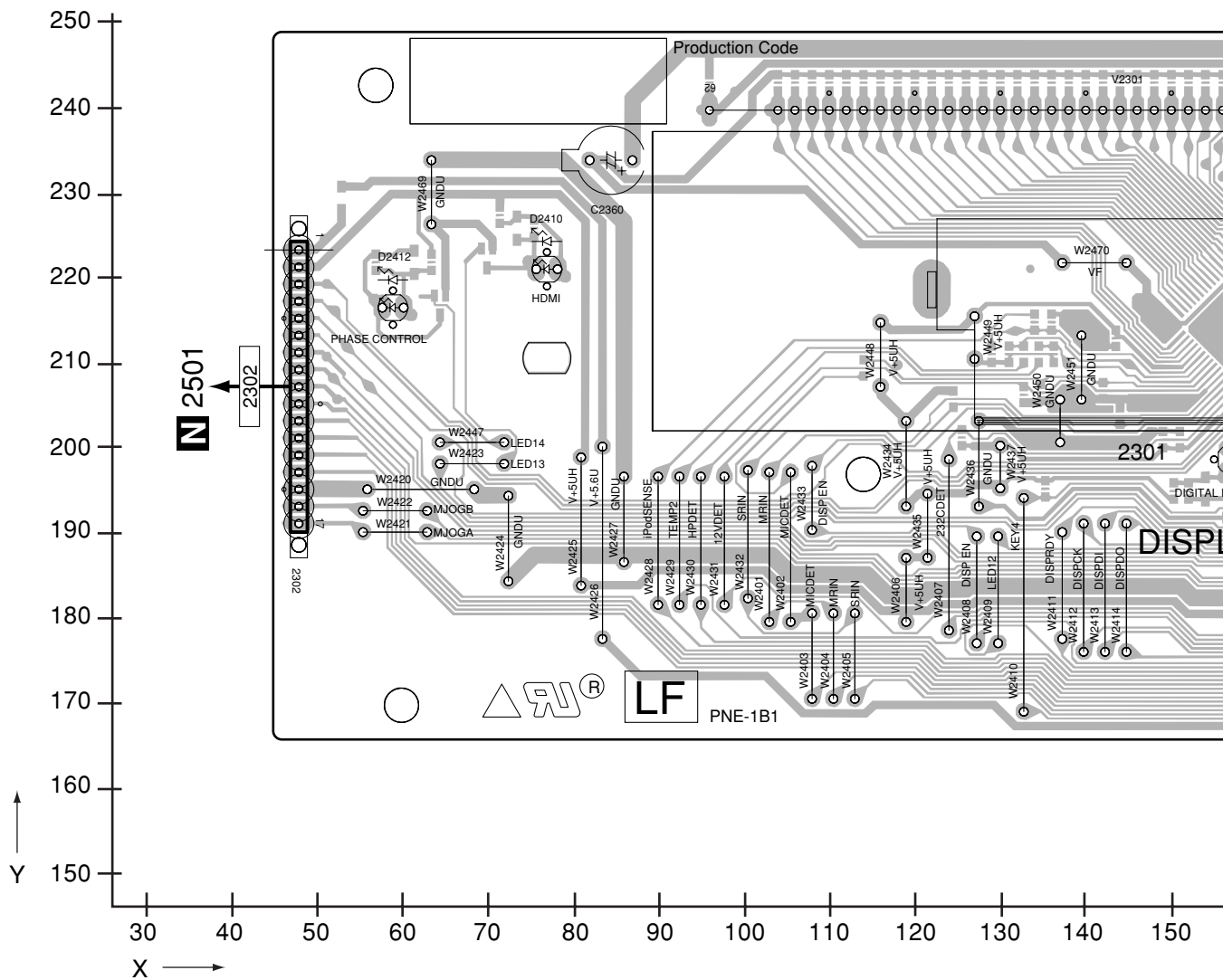
VSX-1016V-K



4.10 DISPLAY ASSY

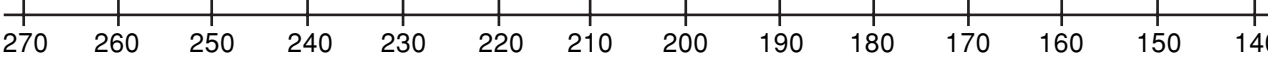
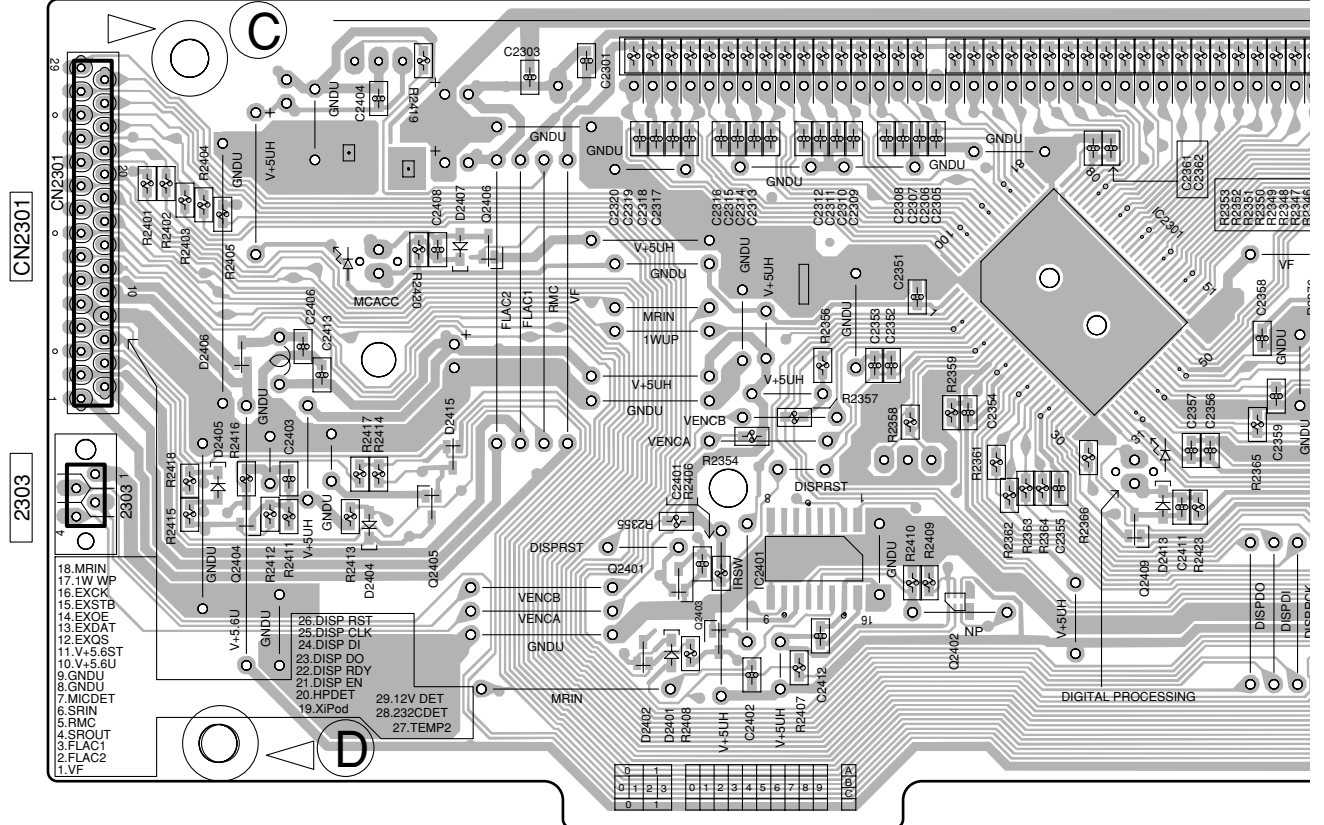
SIDE A

DISPLAY ASSY

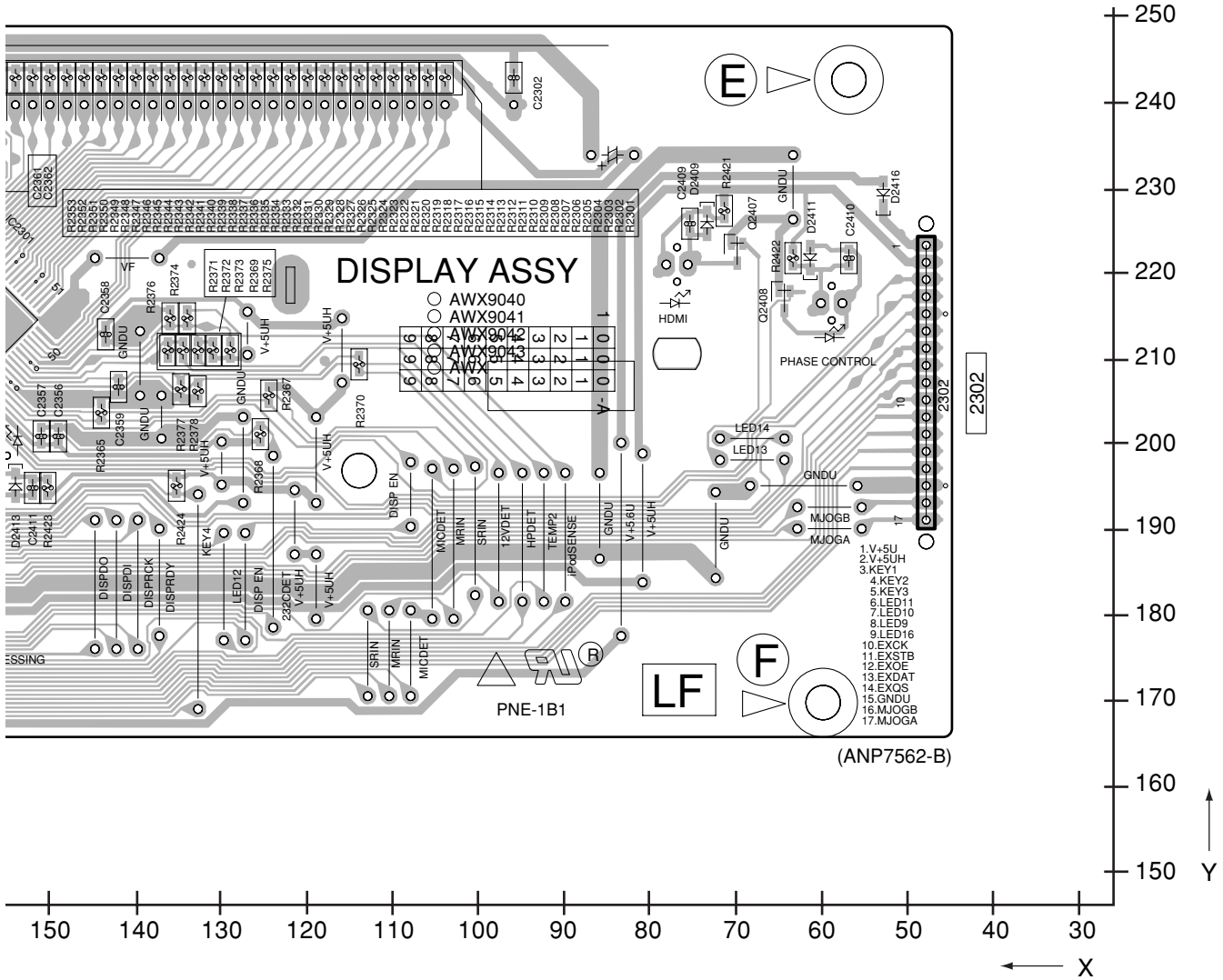
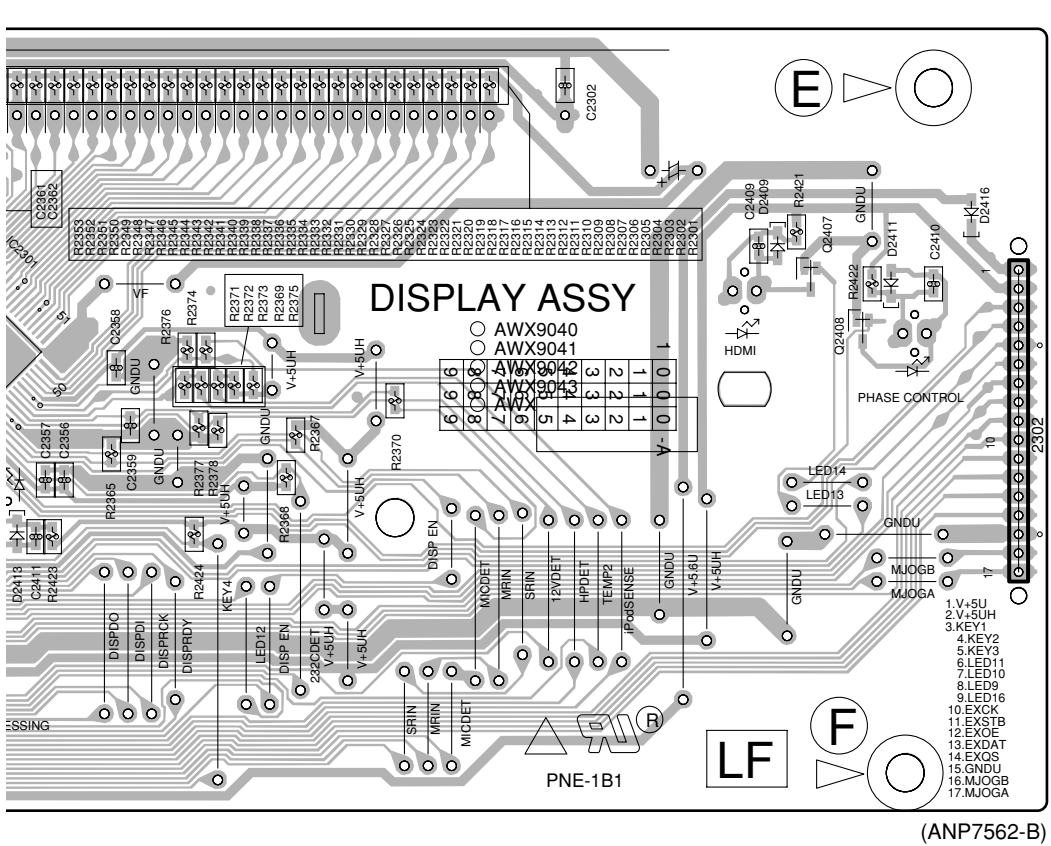


SIDE B

DISPLAY ASSY



A
B
C
D
E
F



5

6

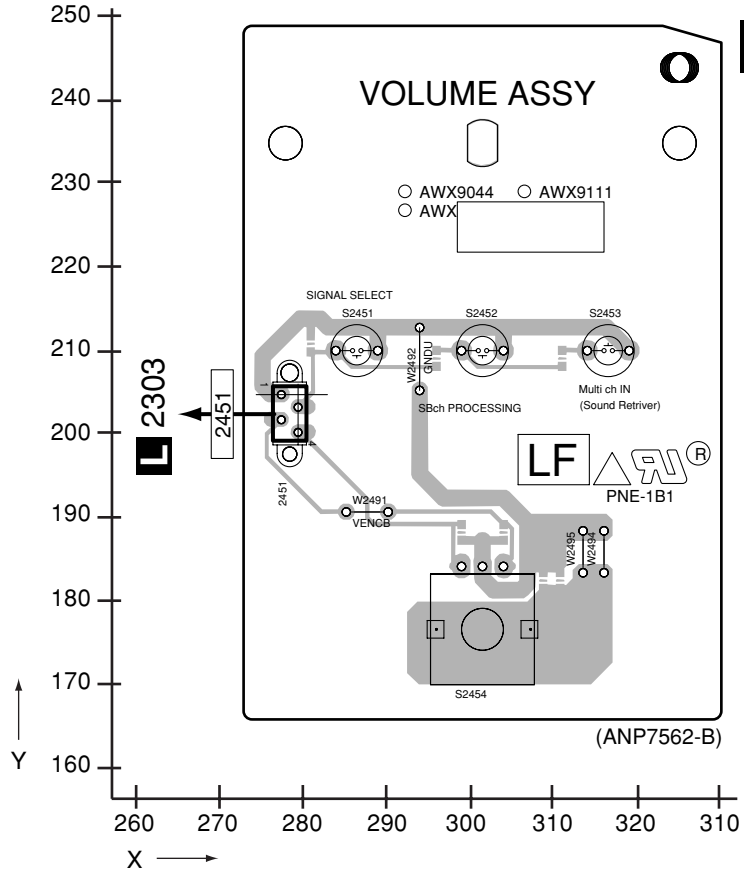
7

8

4.11 VOLUME ASSY

SIDE A

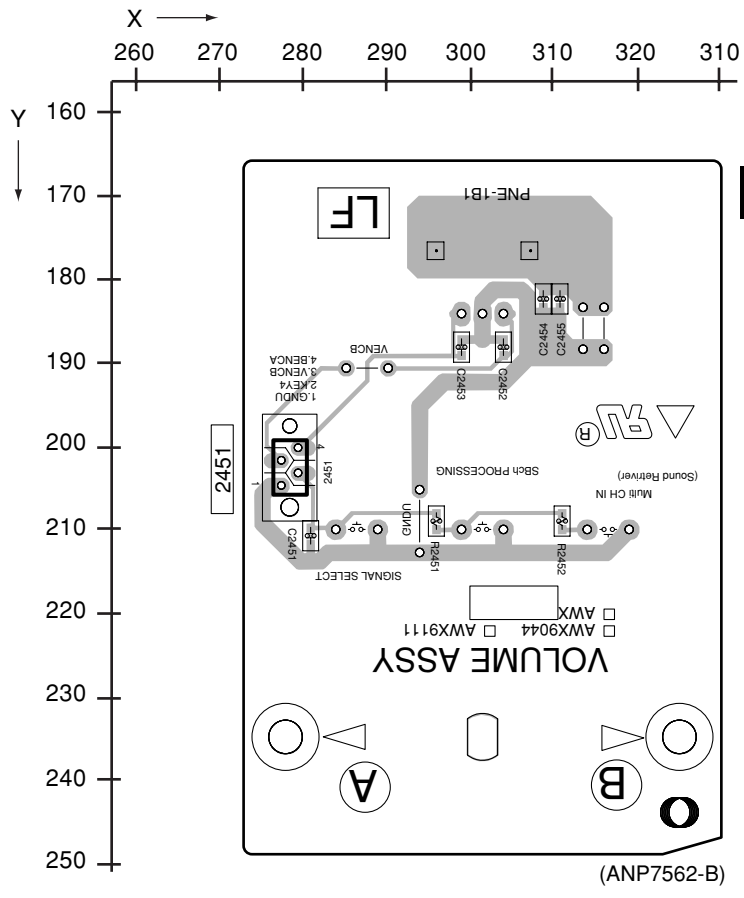
SIDE A



M VOLUME ASSY

SIDE B

SIDE B



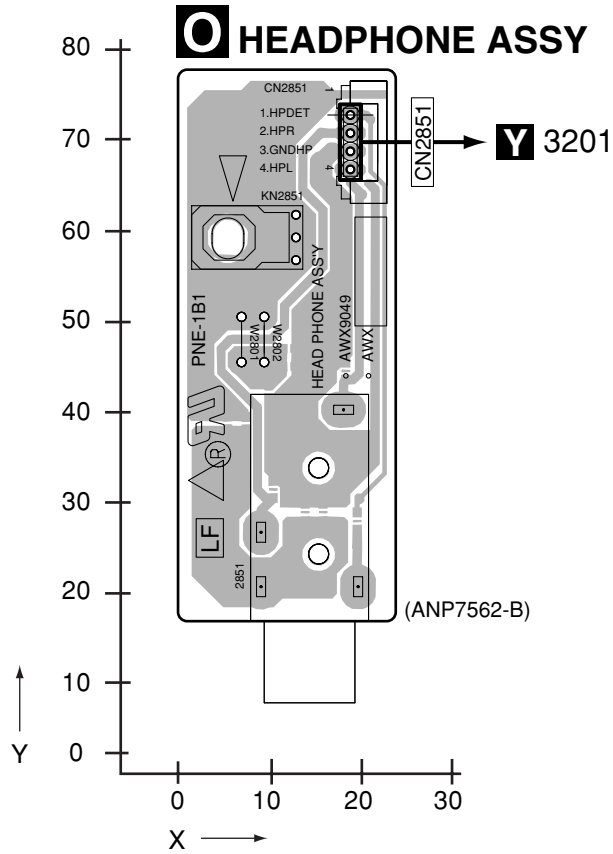
M VOLUME ASSY

M

M

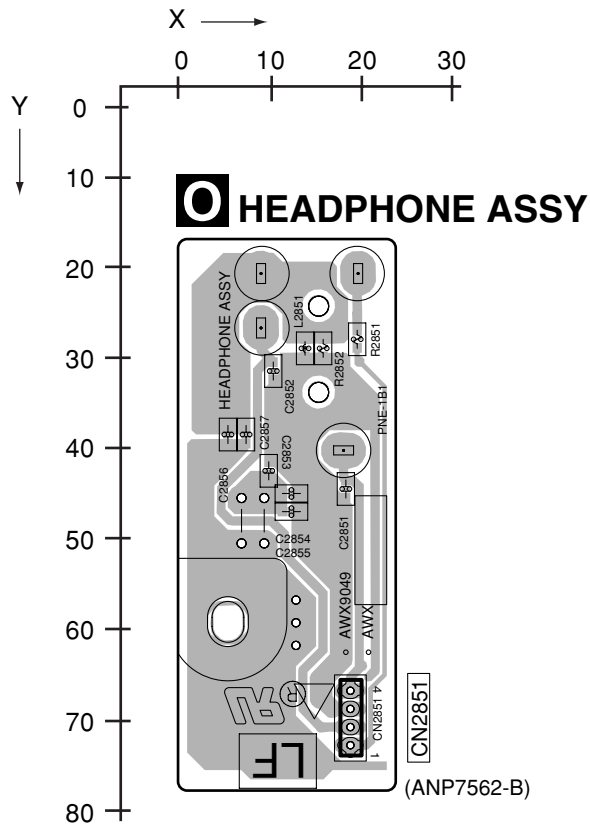
4.12 HEADPHONE ASSY

SIDE A



SIDE A

SIDE B



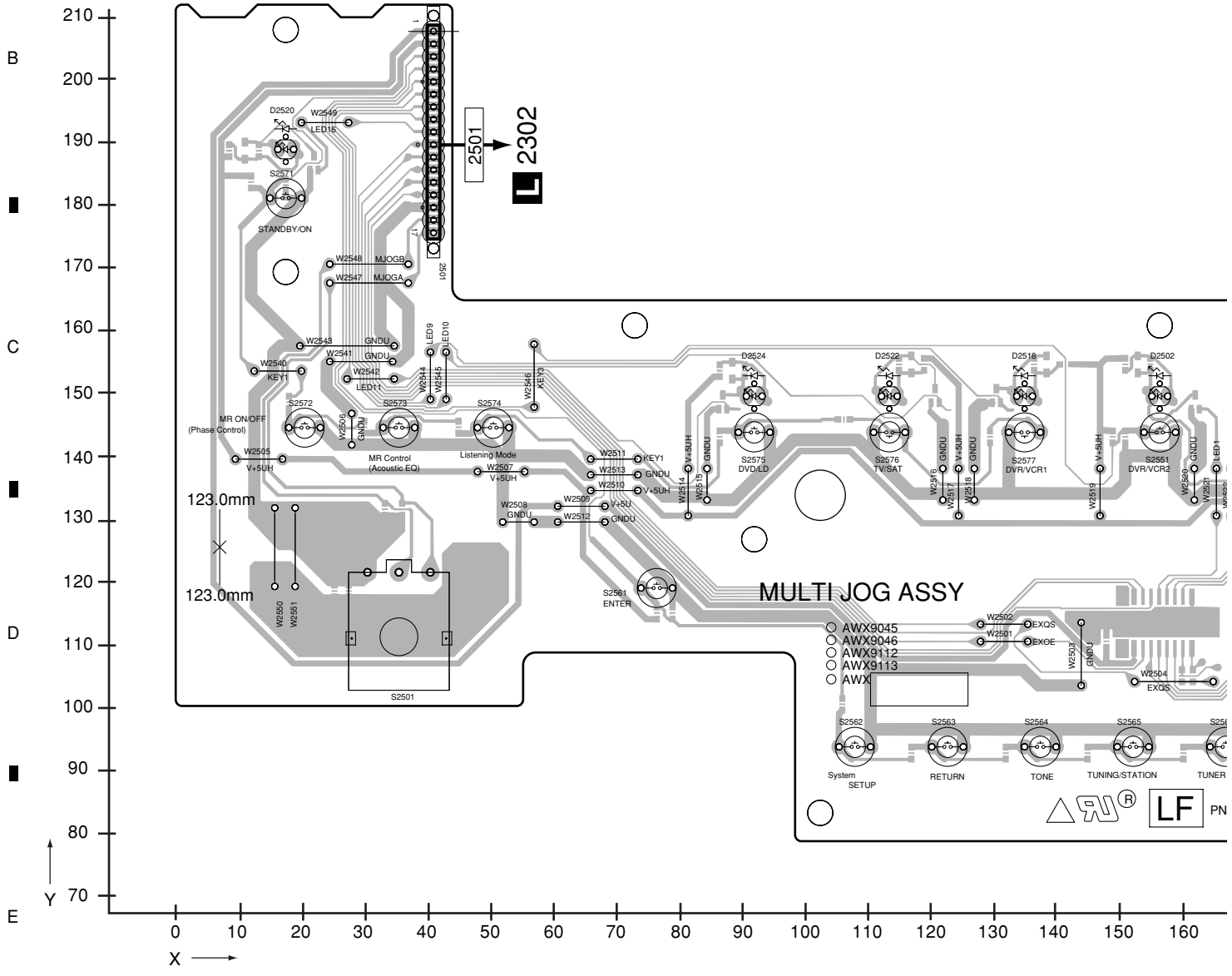
SIDE B



4.13 MULTIJOG ASSY

SIDE A

MULTI JOG ASSY



SIDE A

A

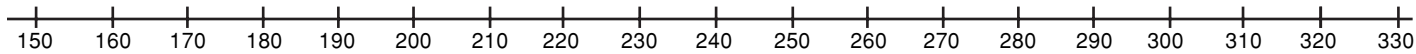
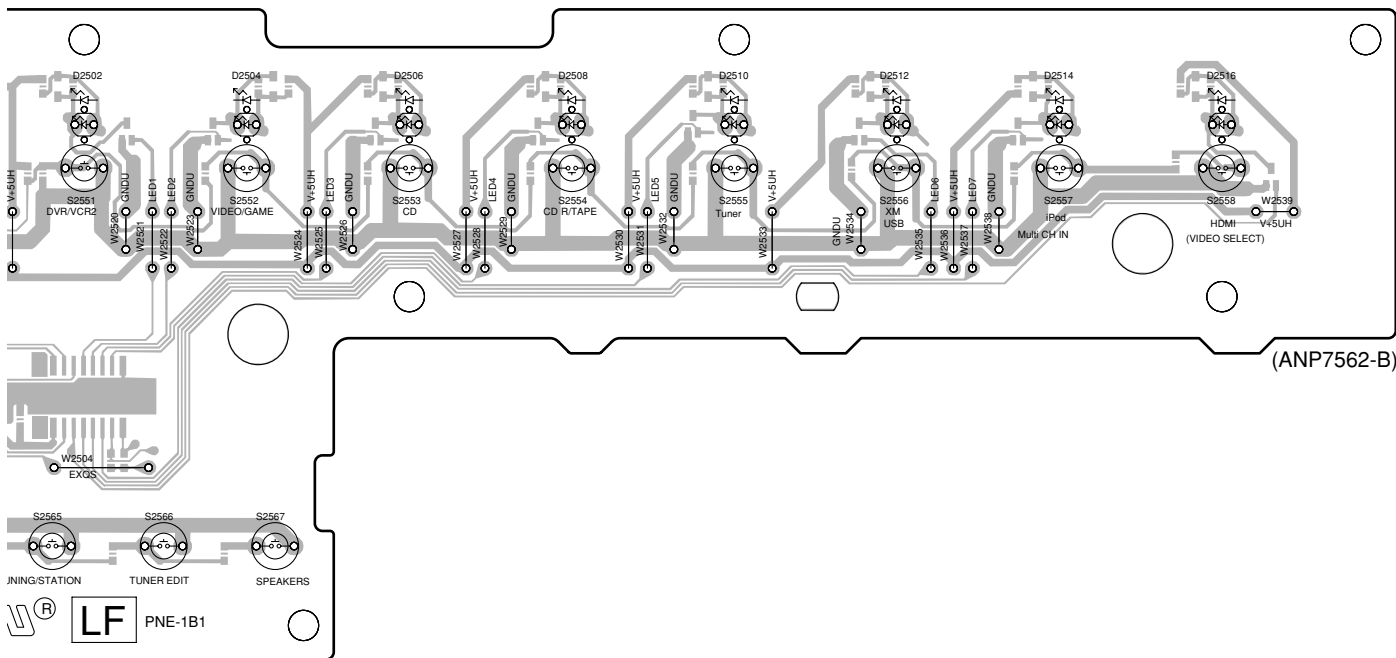
B

C

D

E

F



SIDE B

A

B

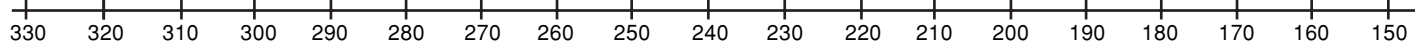
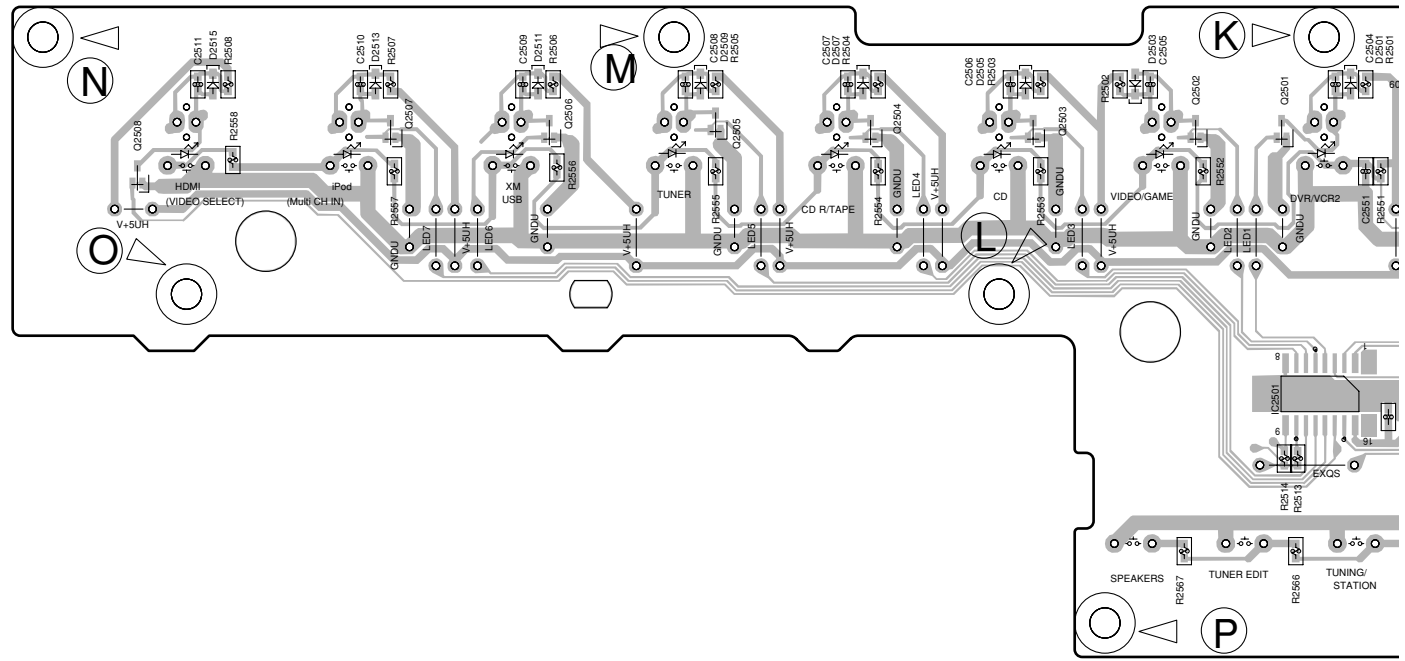
N MULTI JOG ASSY

C

D

E

F



SIDE B

A

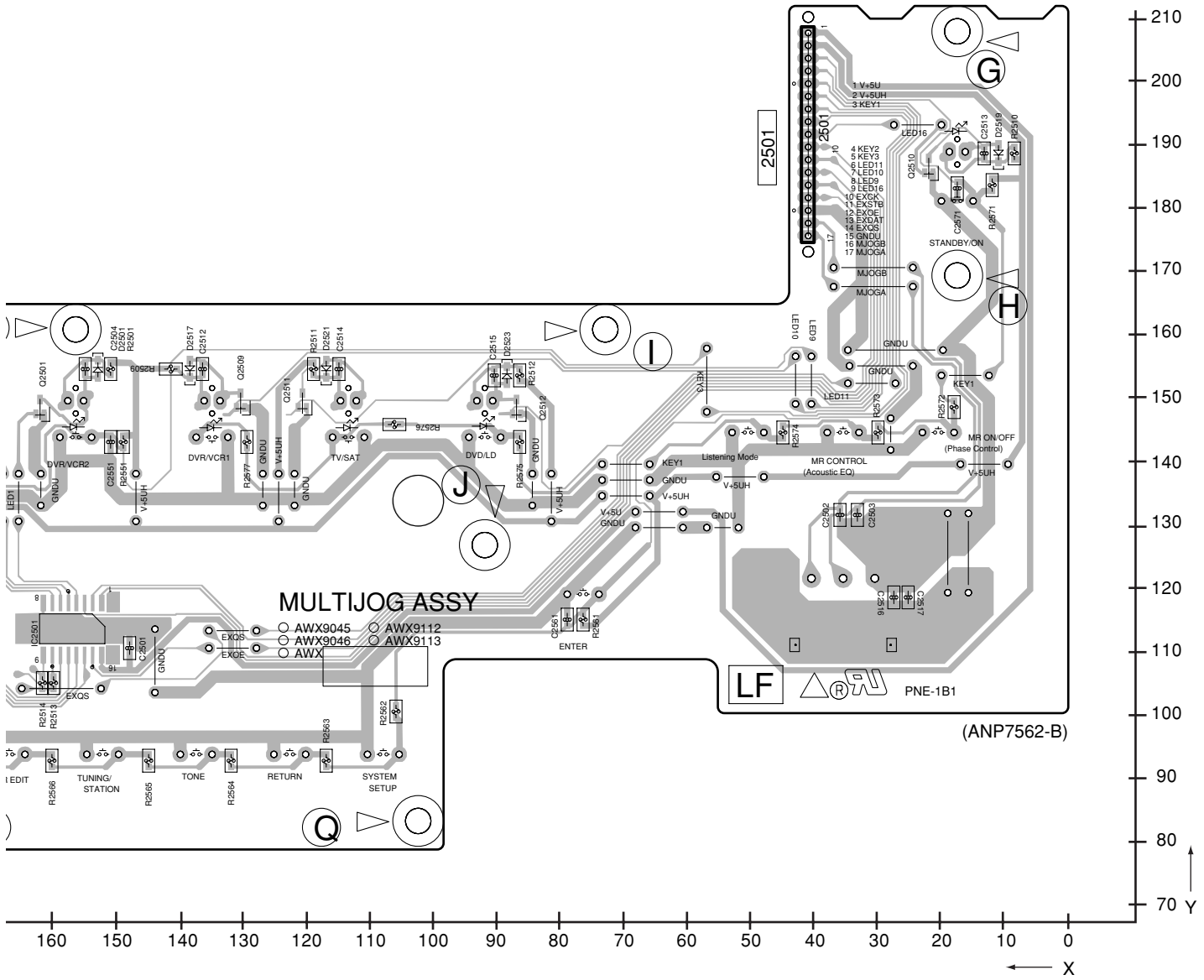
B

C

D

E

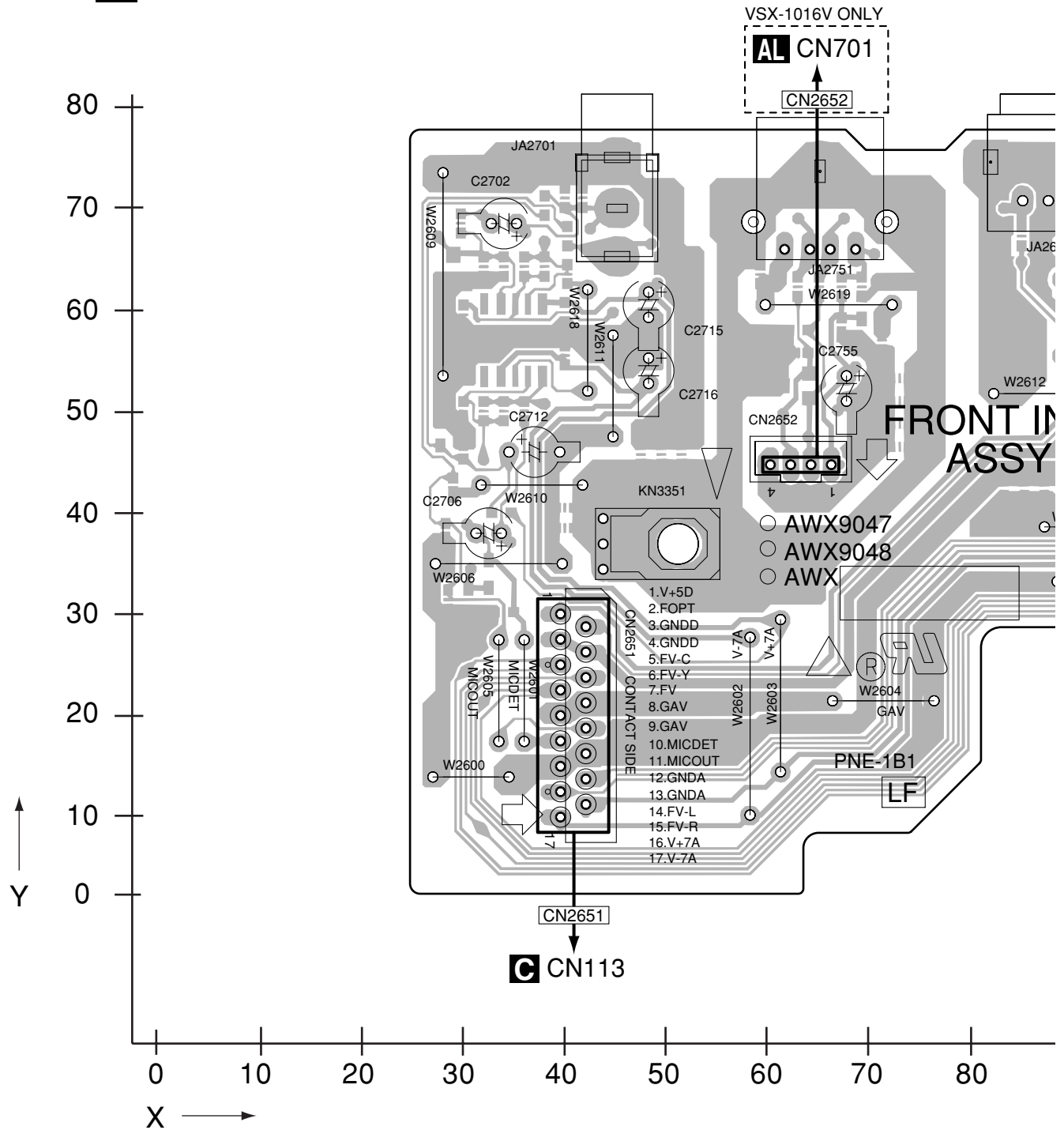
F



4.14 FRONT-IN ASSY

SIDE A

P FRONT-IN ASSY



SIDE A

A

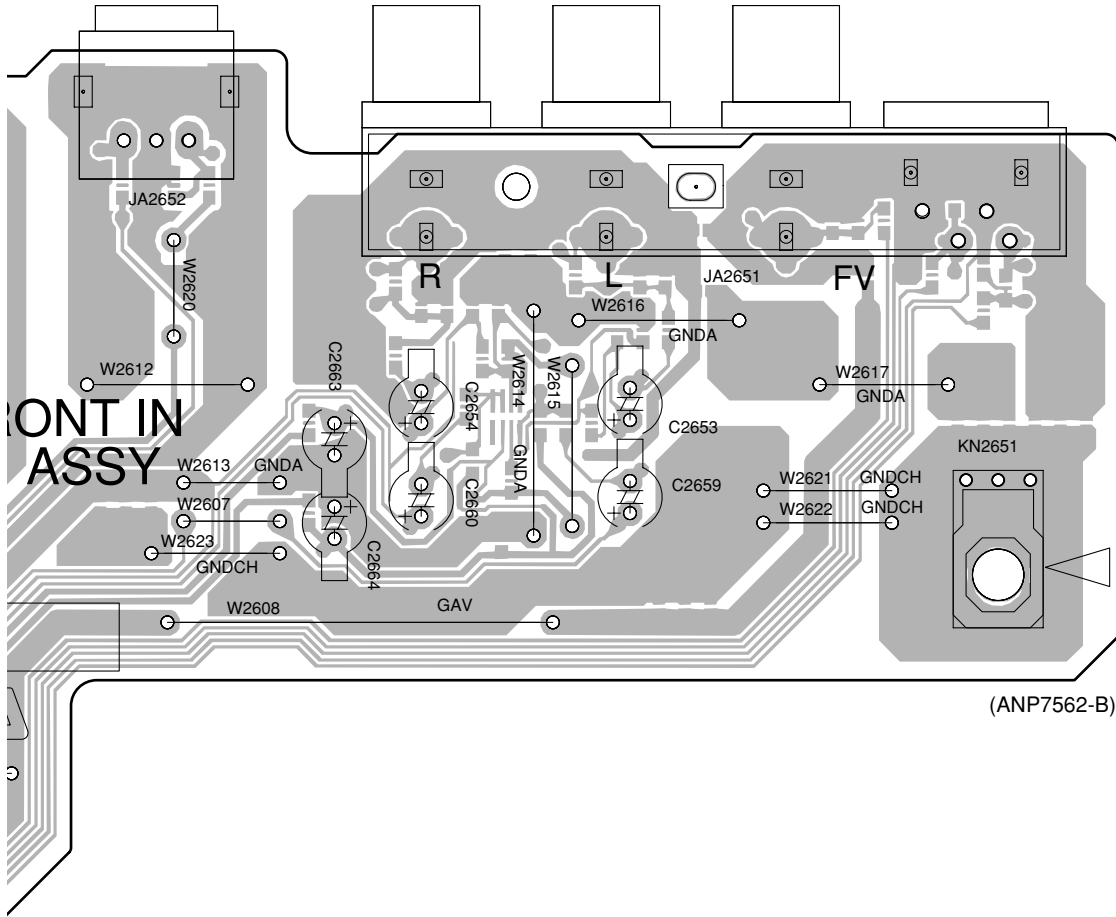
B

C

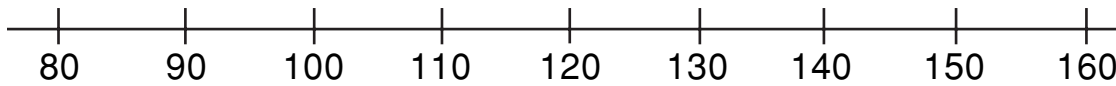
D

E

F



(ANP7562-B)



SIDE B

A

P FRONT-IN ASSY

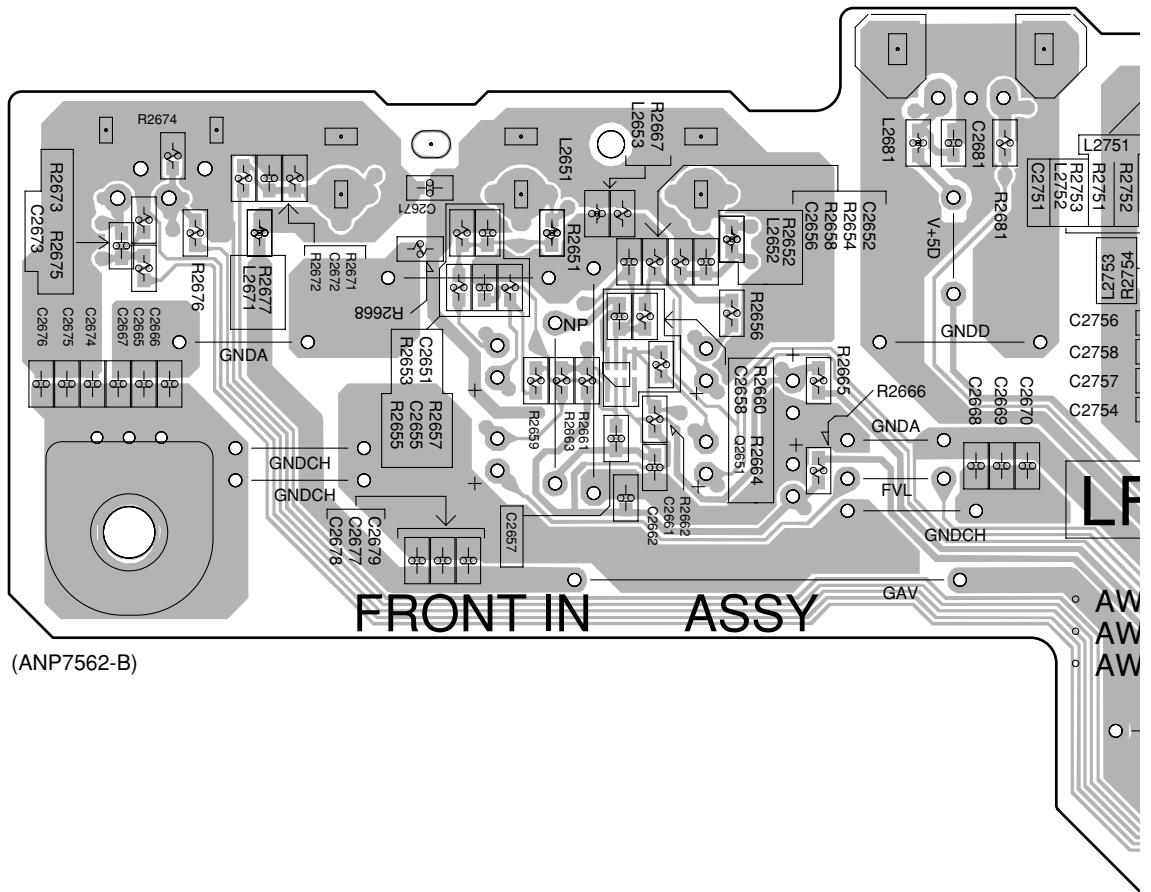
B

C

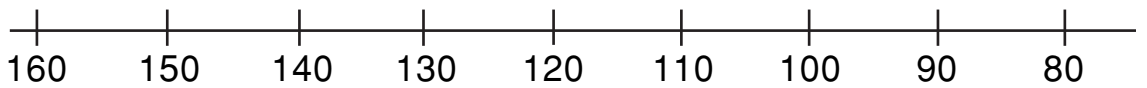
D

E

F



(ANP7562-B)



P

SIDE B

A

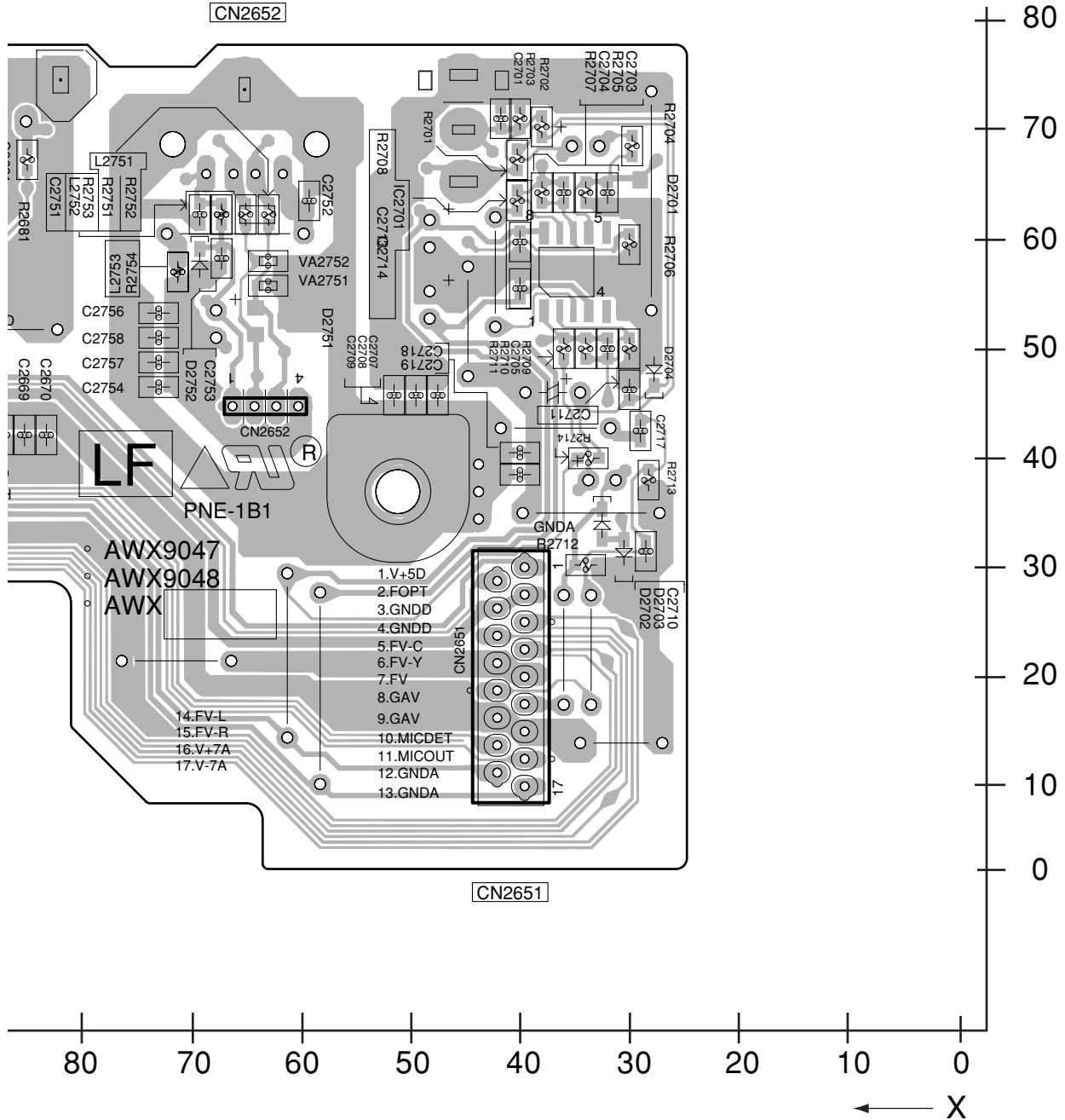
B

C

D

E

F



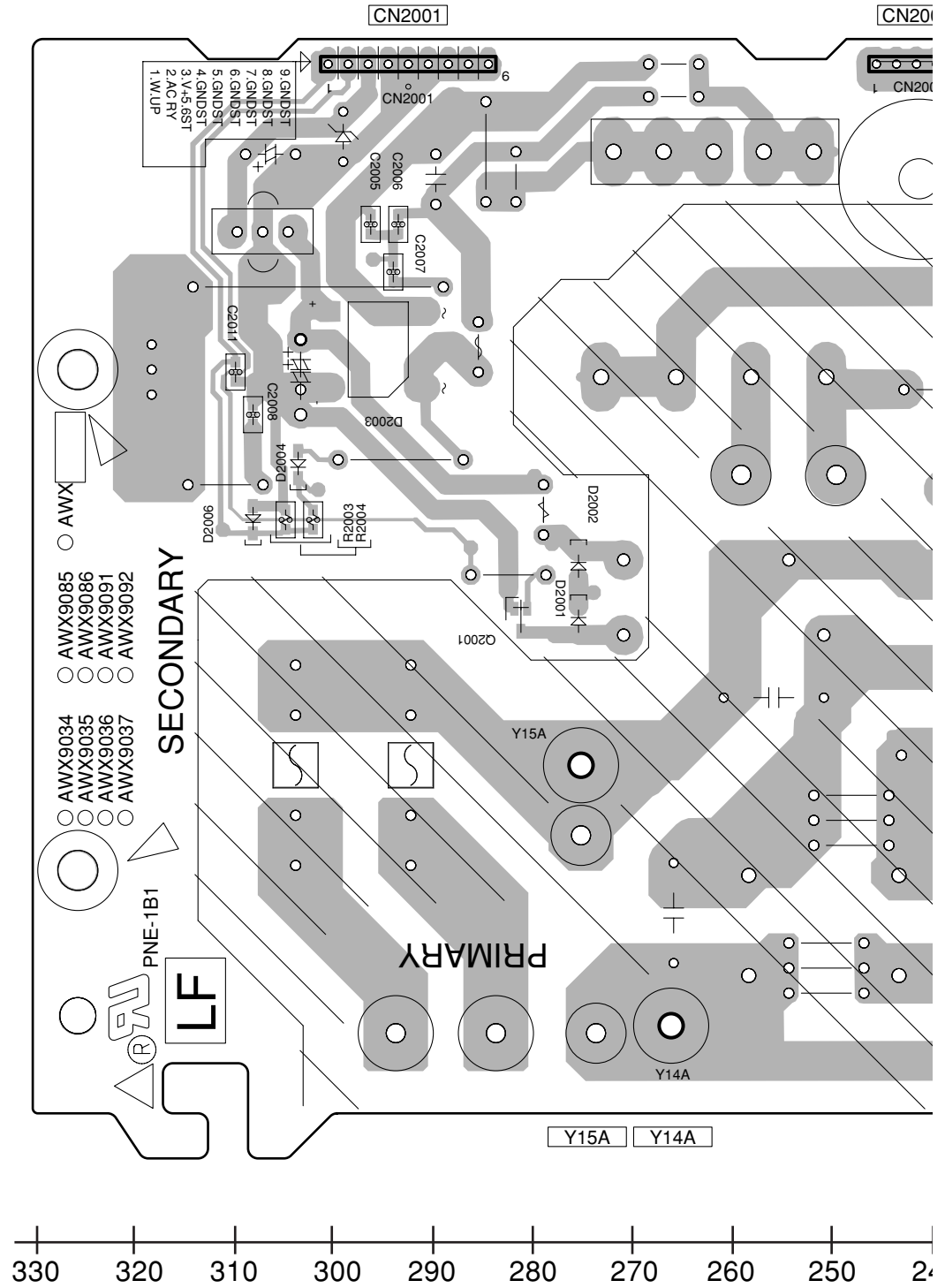
AWX9047
AWX9048
AWX

- 1.V+5D
- 2.FOPT
- 3.GNDD
- 4.GNDD
- 5.FV-C
- 6.FV-Y
- 7.FV
- 8.GAV
- 9.GAV
- 10.MICDET
- 11.MICOUT
- 12.GNDA
- 13.GNDA

4.15 PRIMARY ASSY

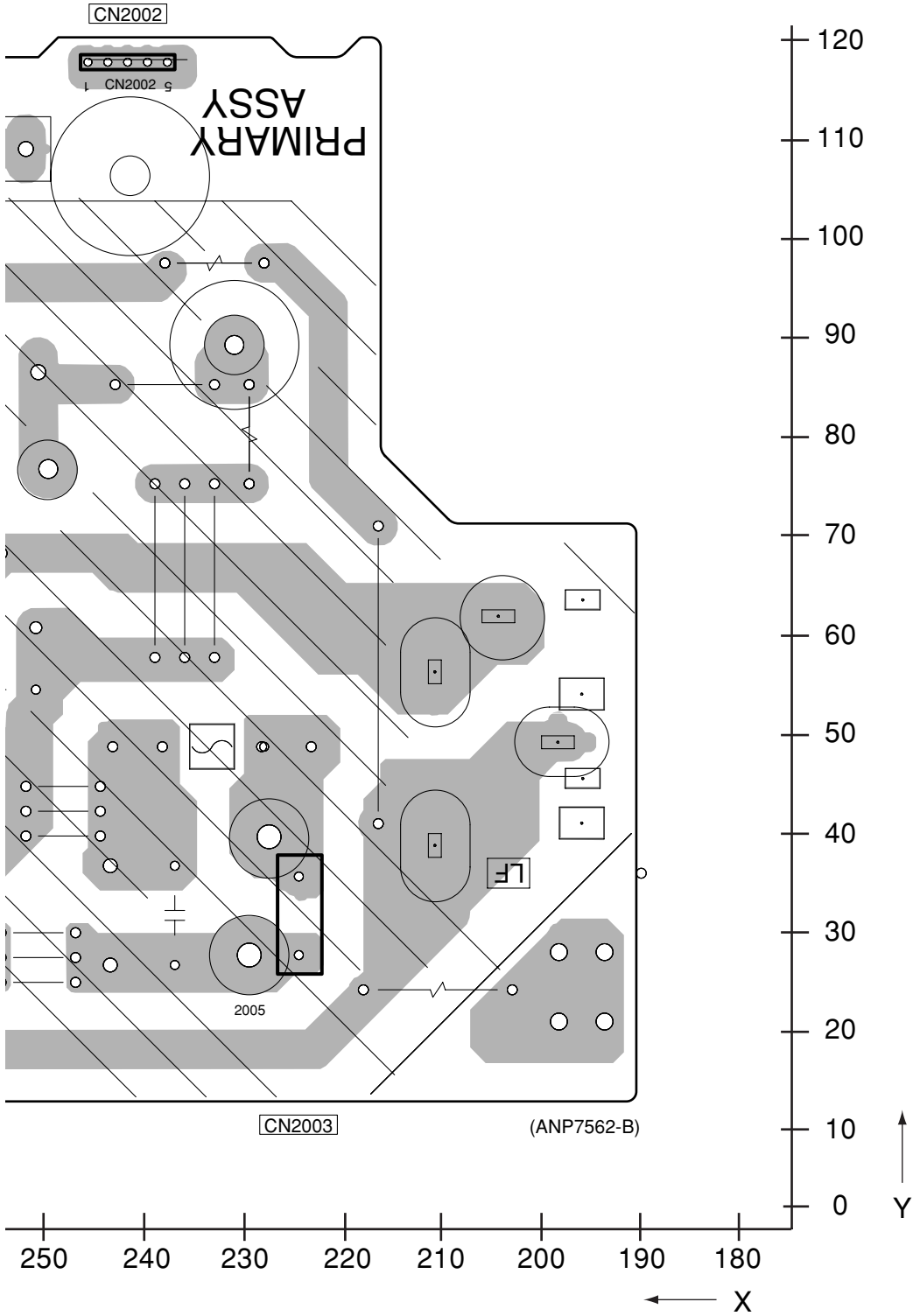
SIDE B

Q PRIMARY ASSY



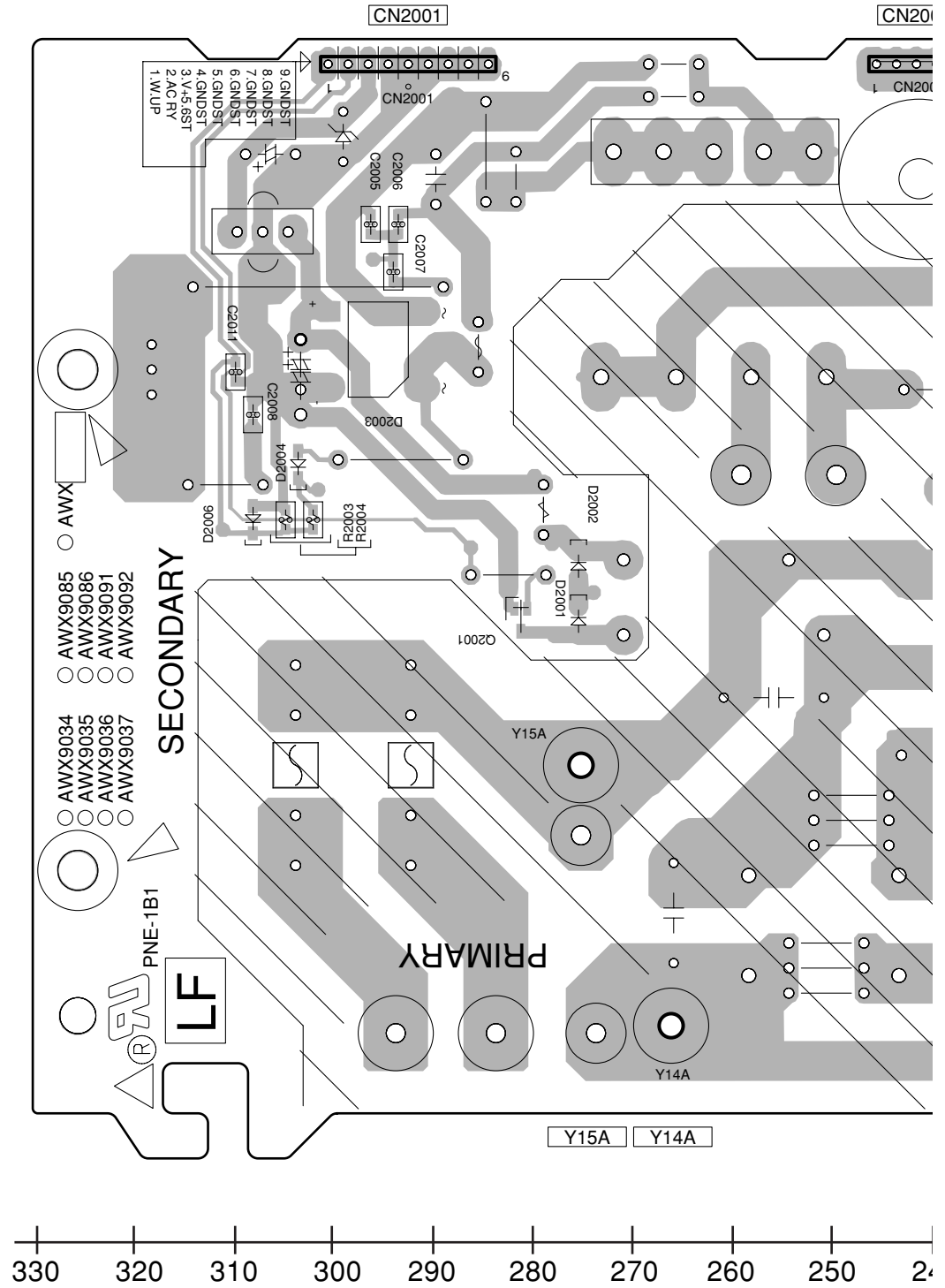
SIDE B

A
B
C
D
E
F



SIDE B

Q PRIMARY ASSY



A

B

C

D

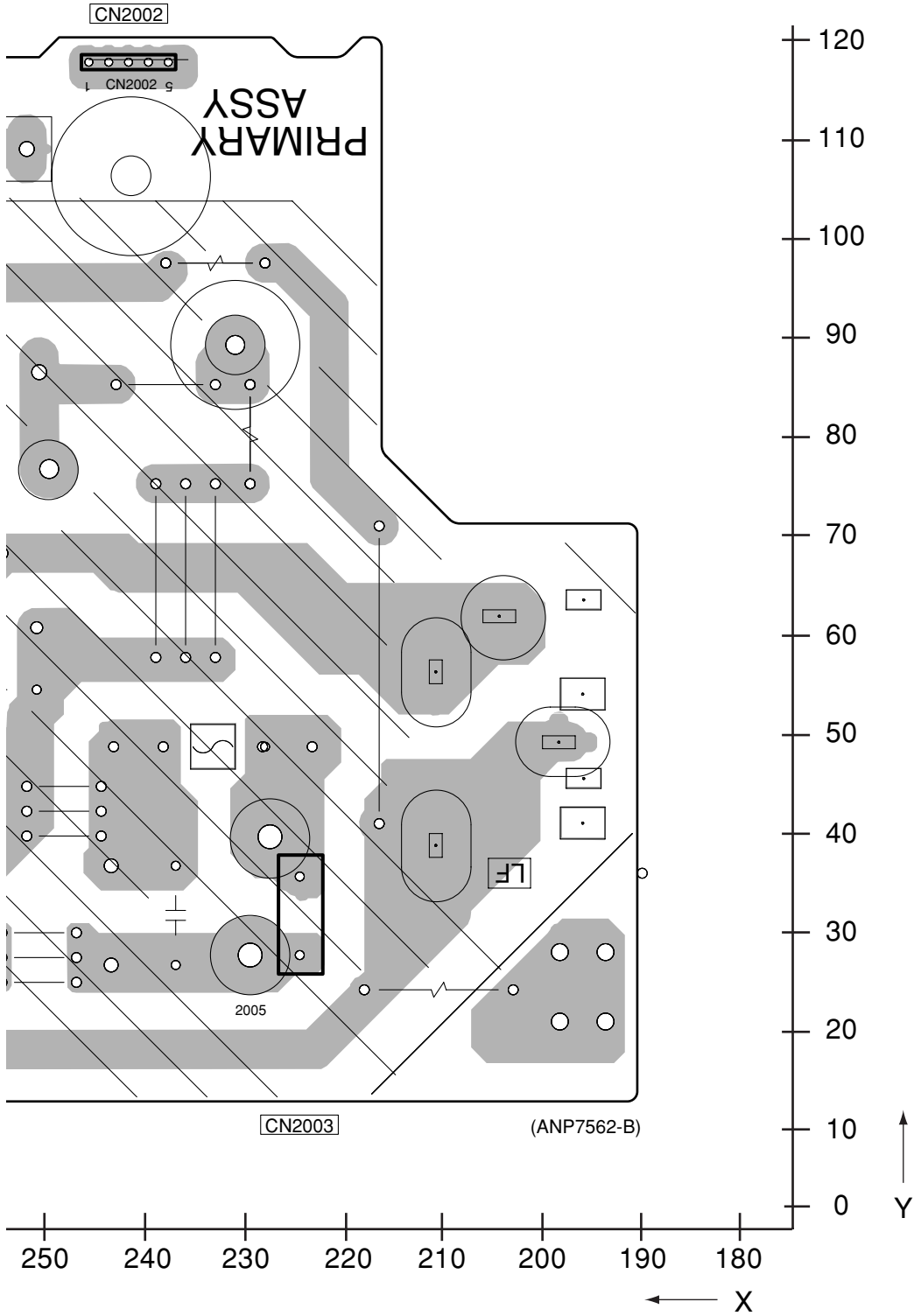
E

F



SIDE B

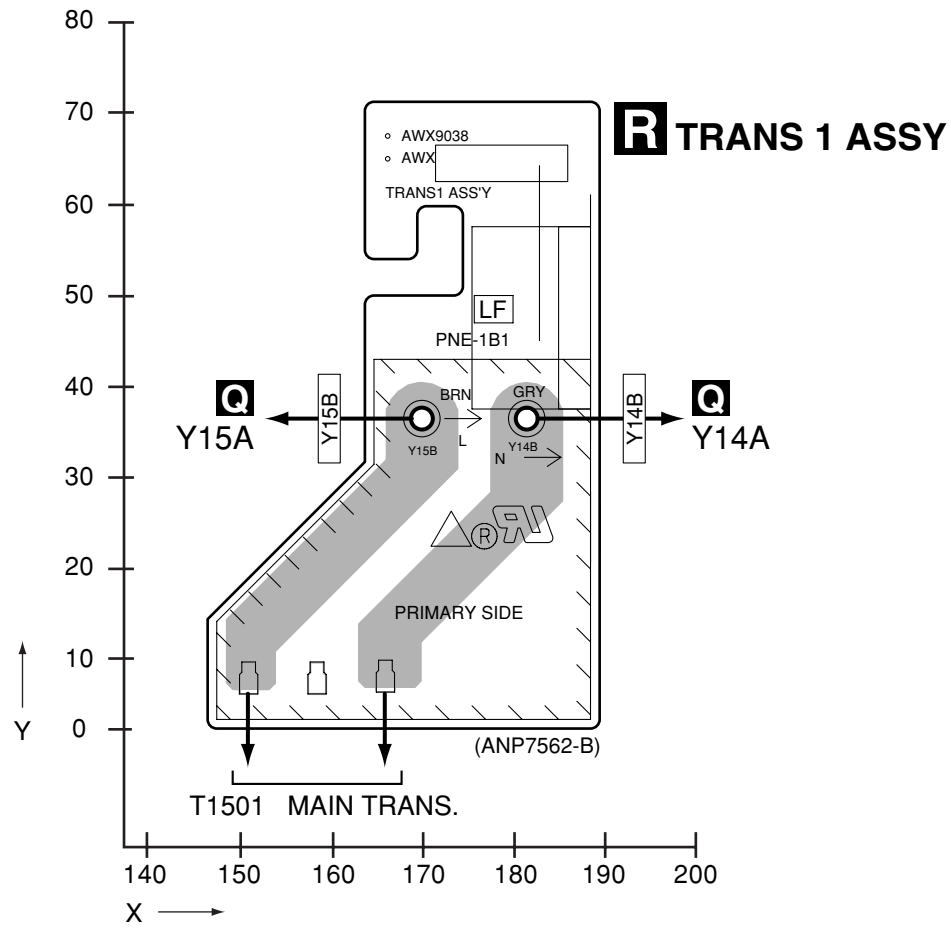
A
B
C
D
E
F



4.16 TRANS 1 ASSY

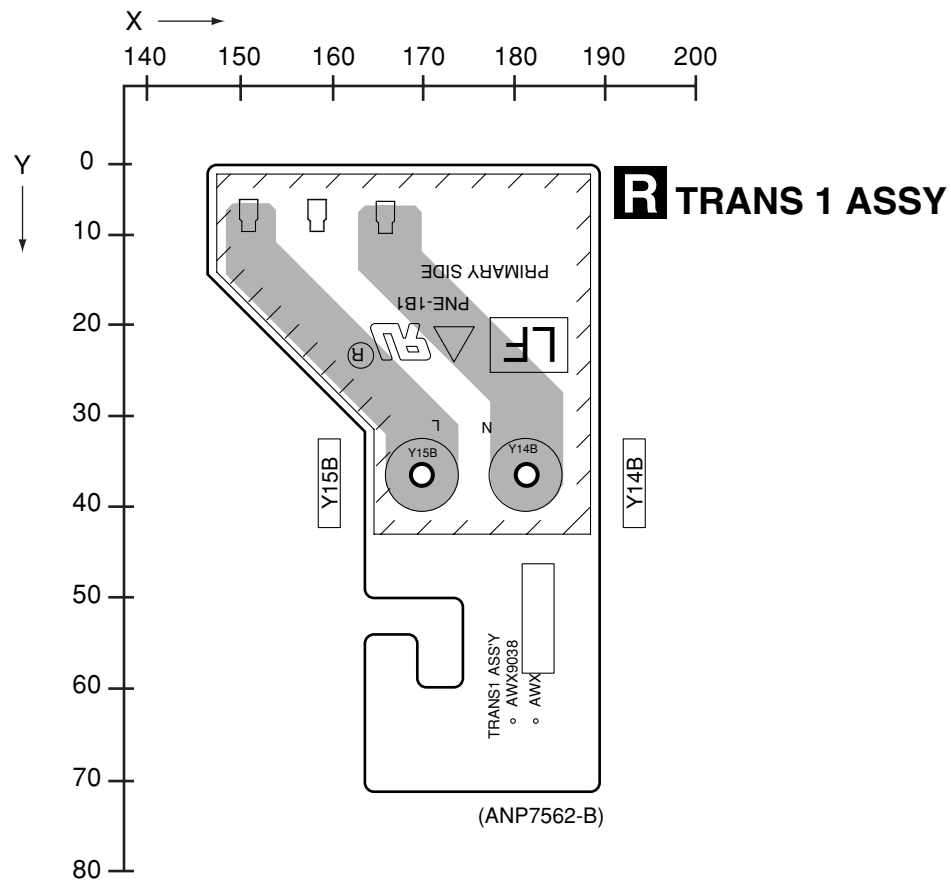
SIDE A

SIDE A



SIDE B

SIDE B



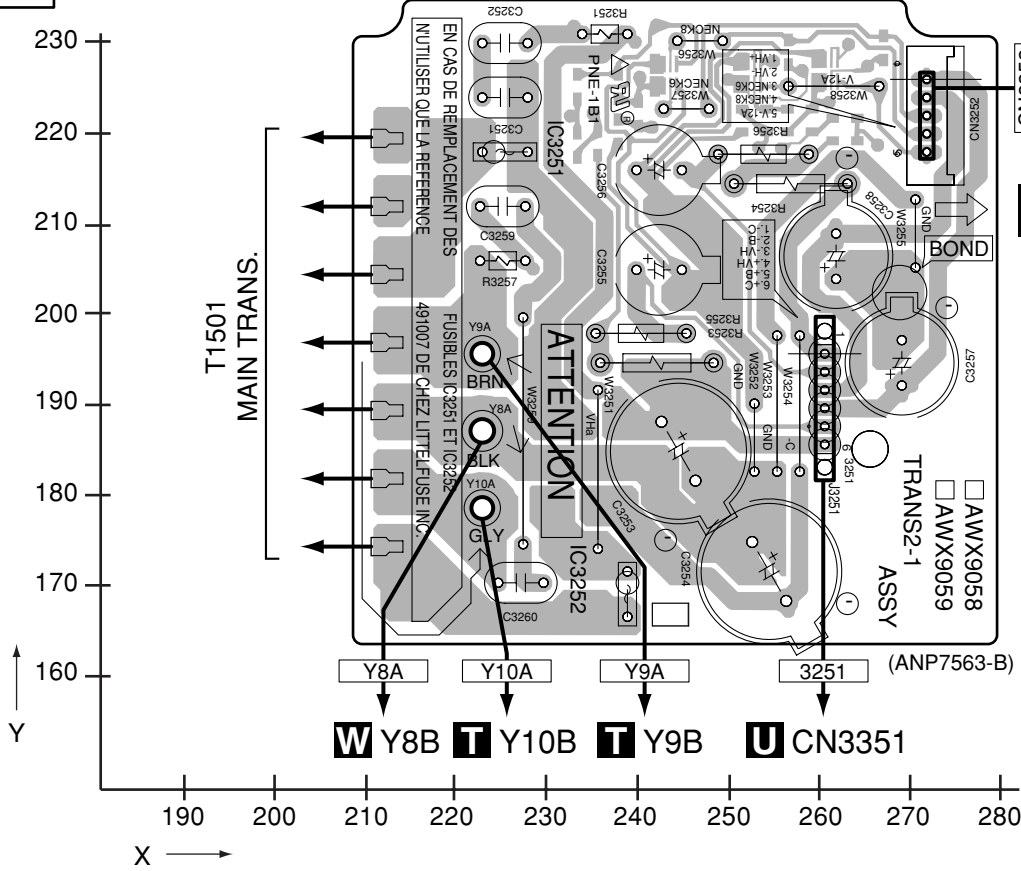
R

R

4.17 TRANS 2-1 ASSY

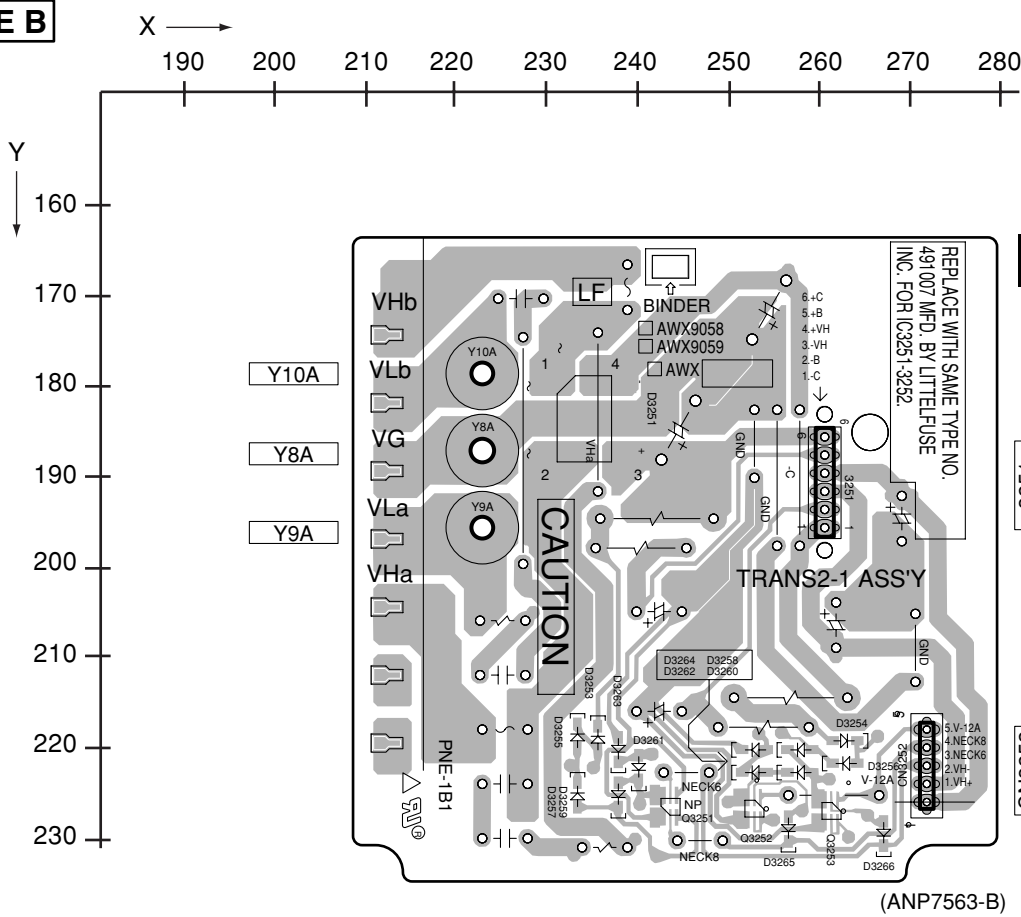
SIDE A

SIDE A



SIDE B

SIDE B



S

S

4.18 DIODE 1 and VH TR ASSYS

SIDE A

SIDE B

A

B

C

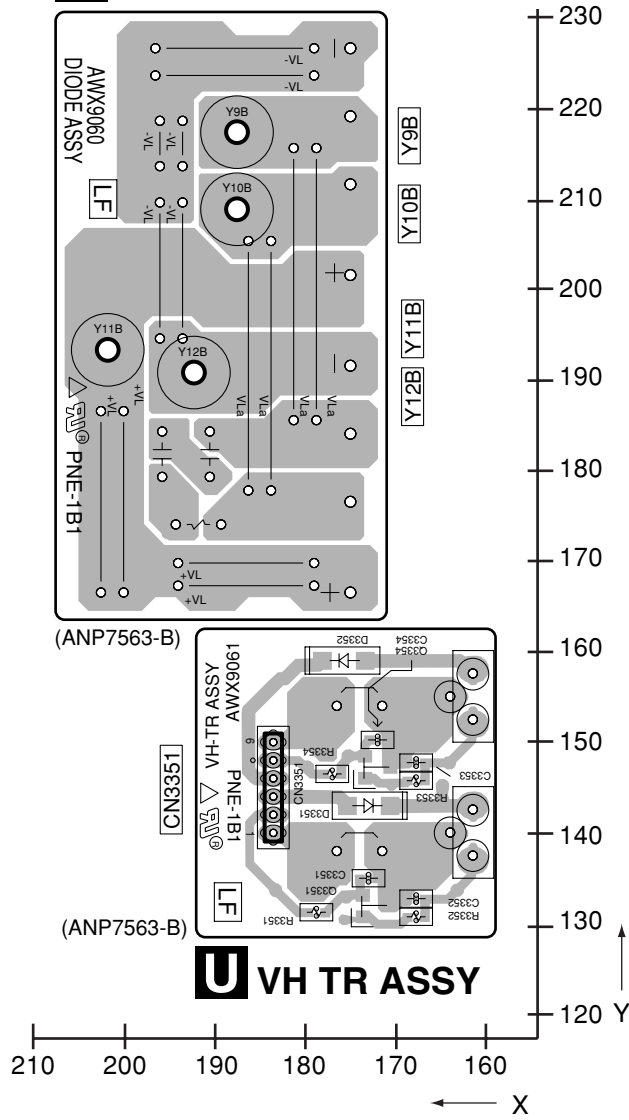
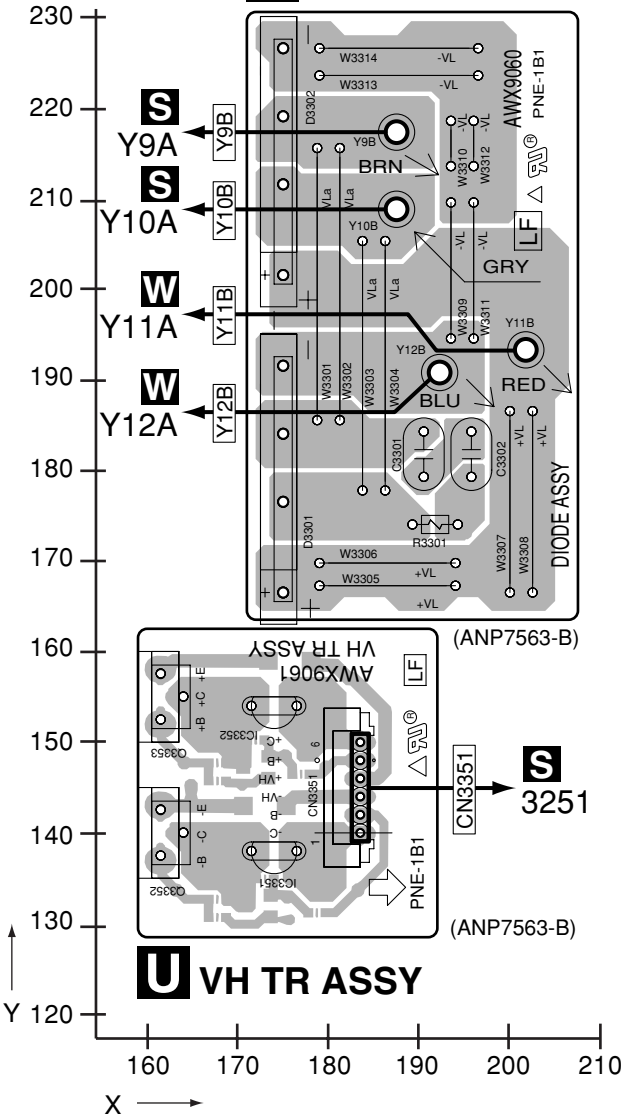
D

E

F

T DIODE 1 ASSY

T DIODE 1 ASSY

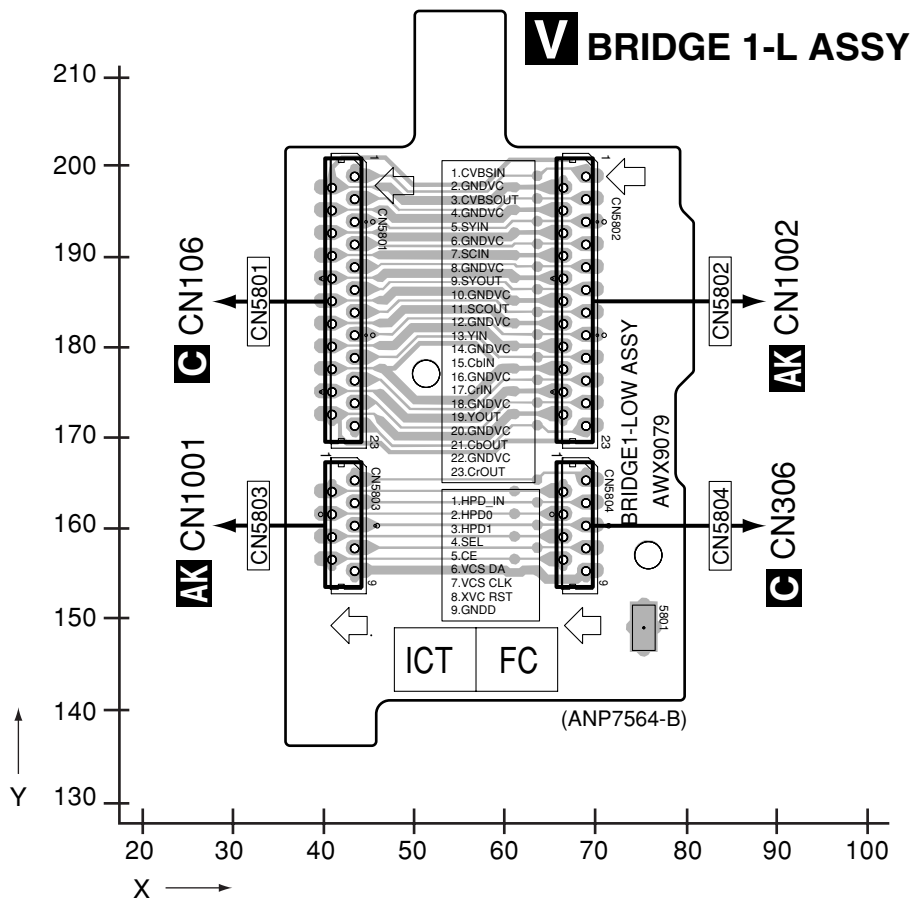


T U

T U

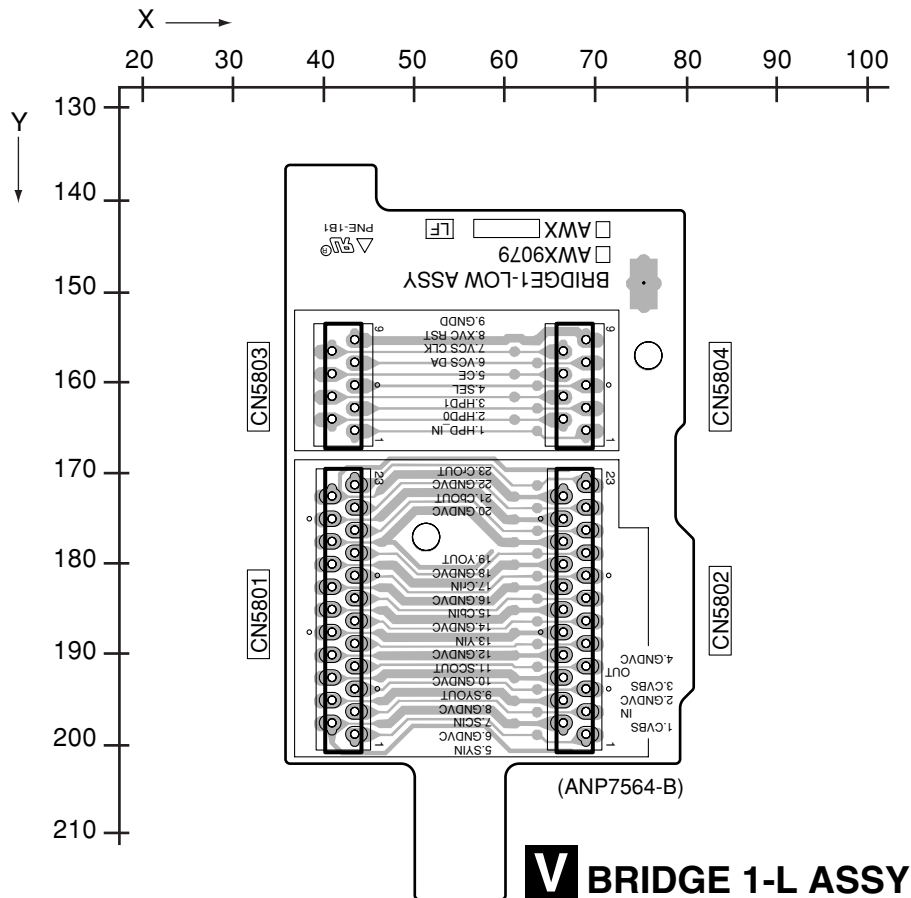
4.19 BRIDGE 1-L ASSY

SIDE A



SIDE A

SIDE B



SIDE B

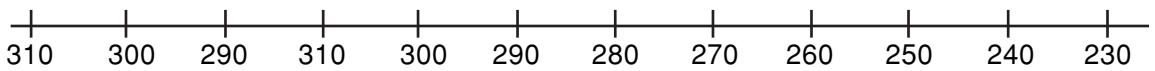
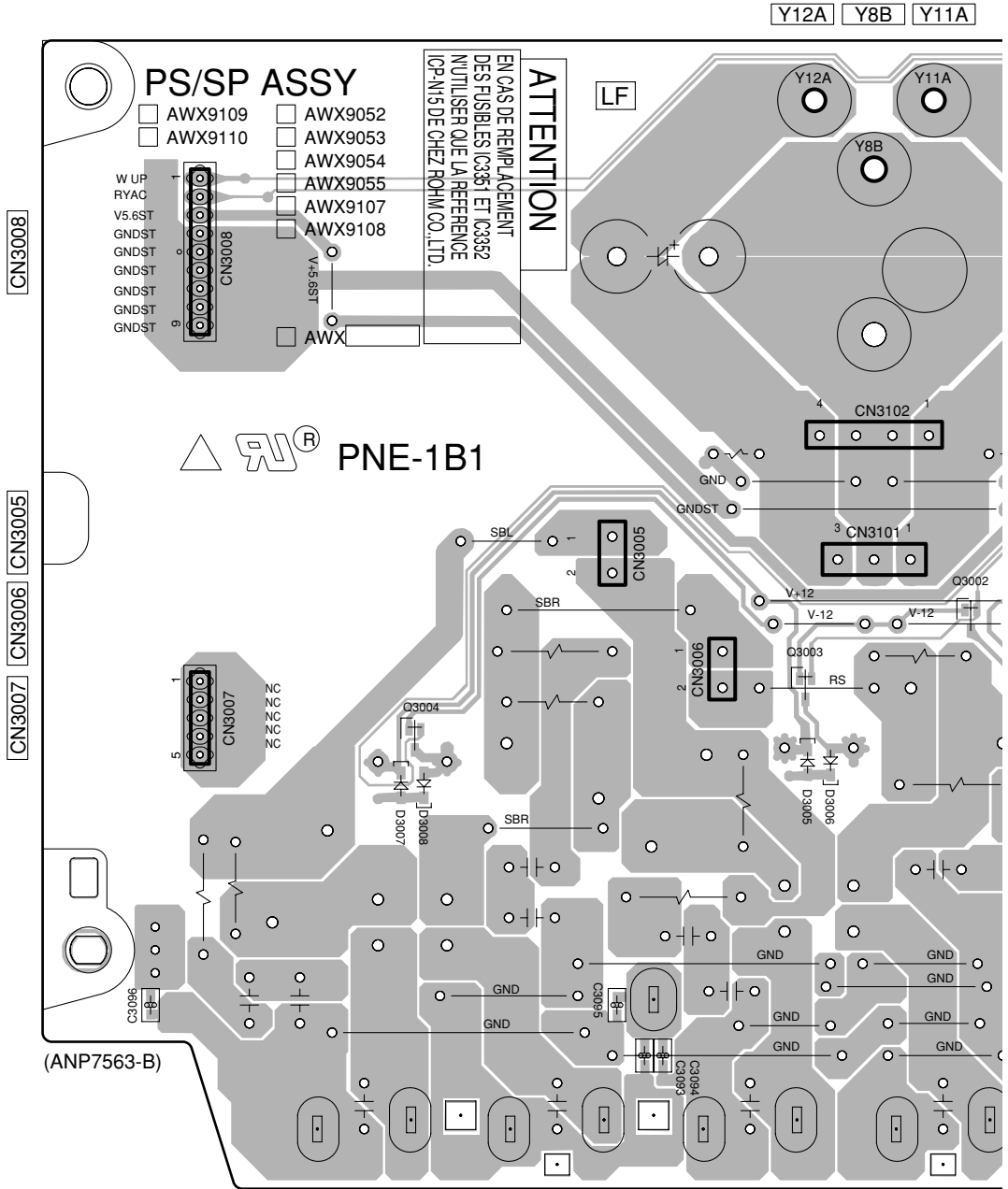
V

V BRIDGE 1-L ASSY

V

SIDE B

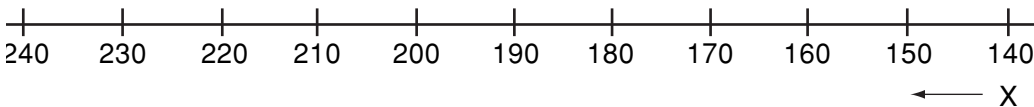
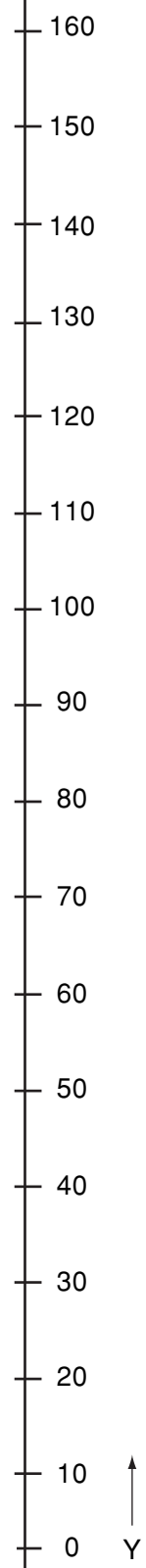
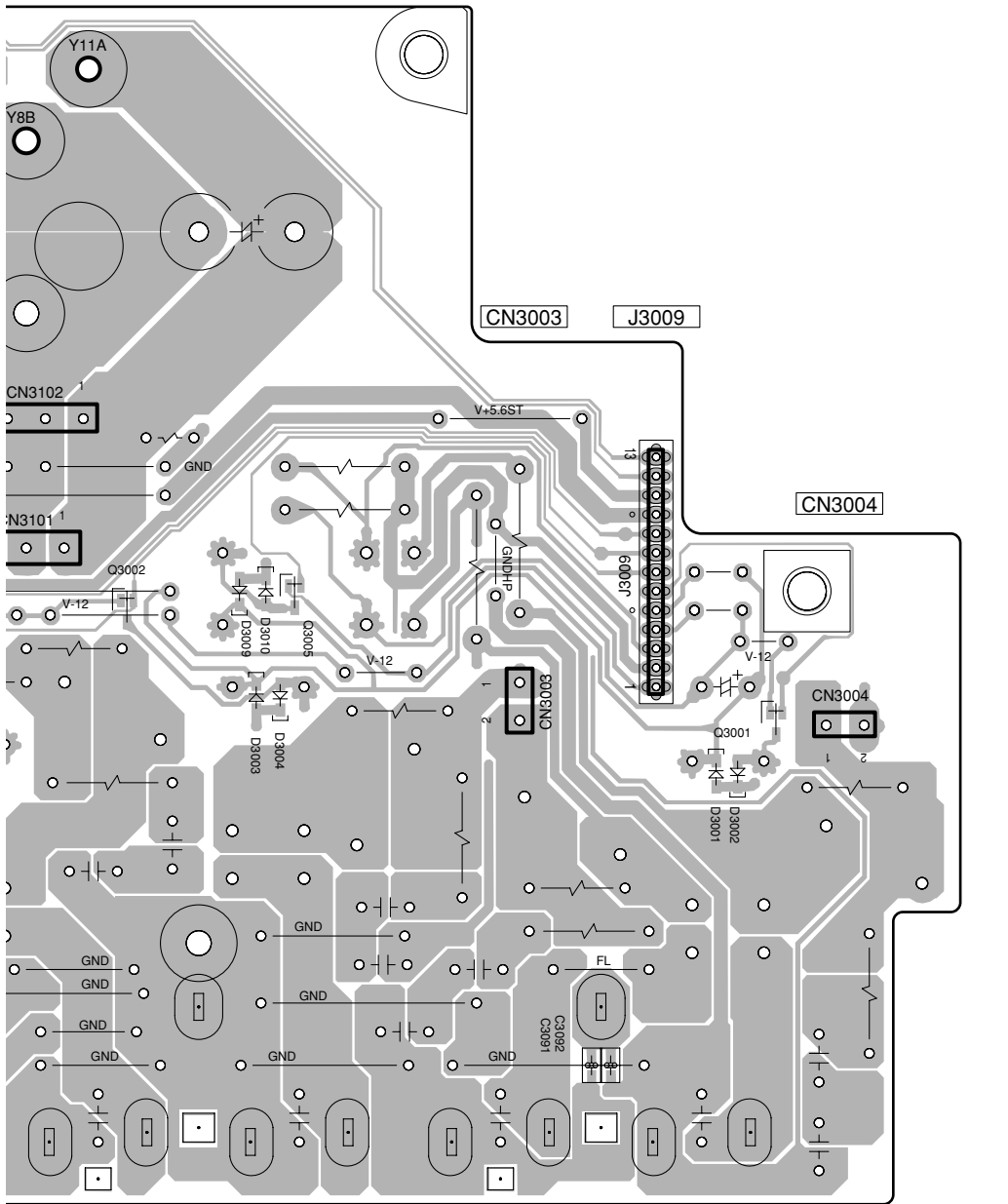
W PS/SP ASSY



SIDE B

A
B
C
D
E
F

Y8B Y11A

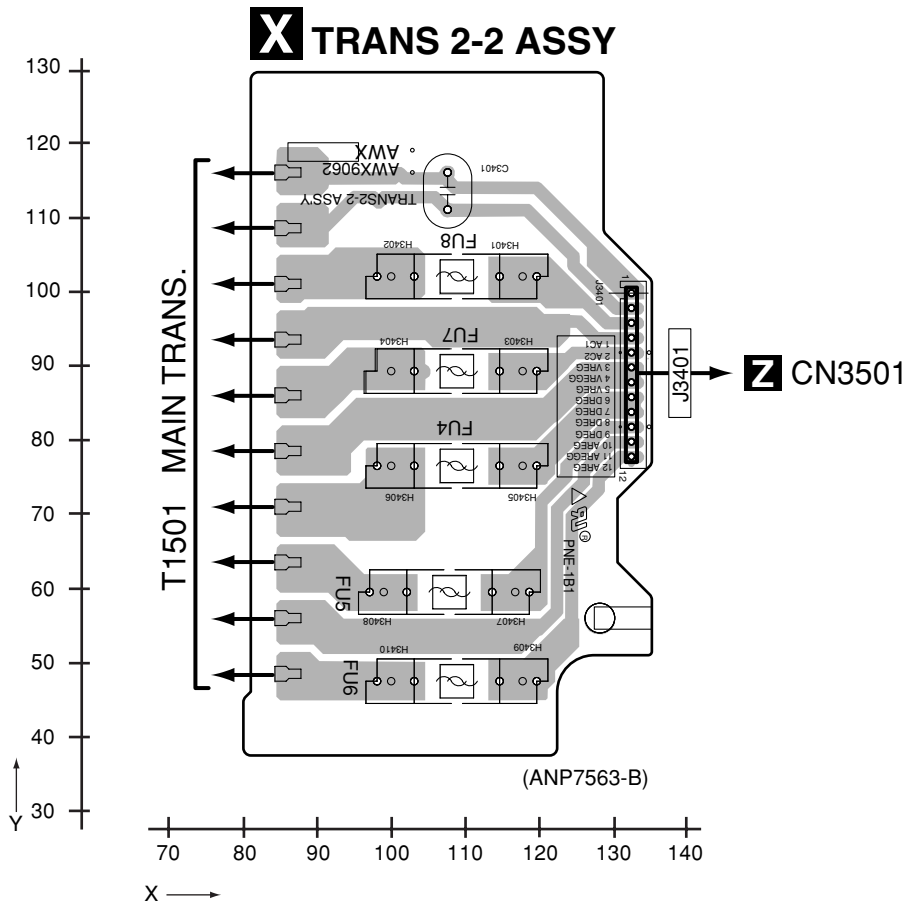


VSX-1016V-K

4.21 TRANS 2-2 ASSY

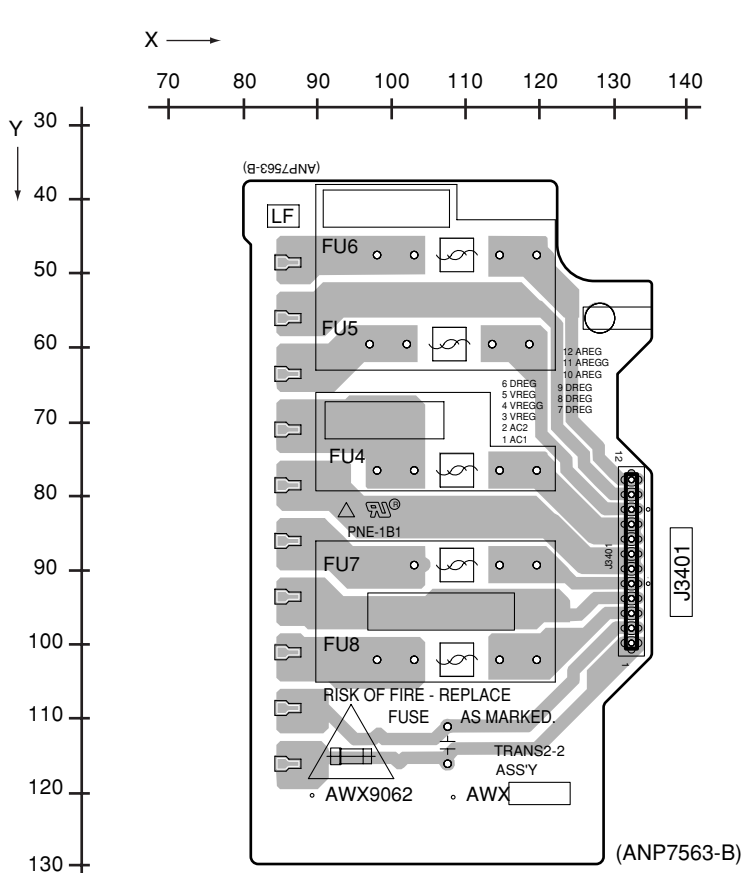
SIDE A

SIDE A



SIDE B

SIDE B



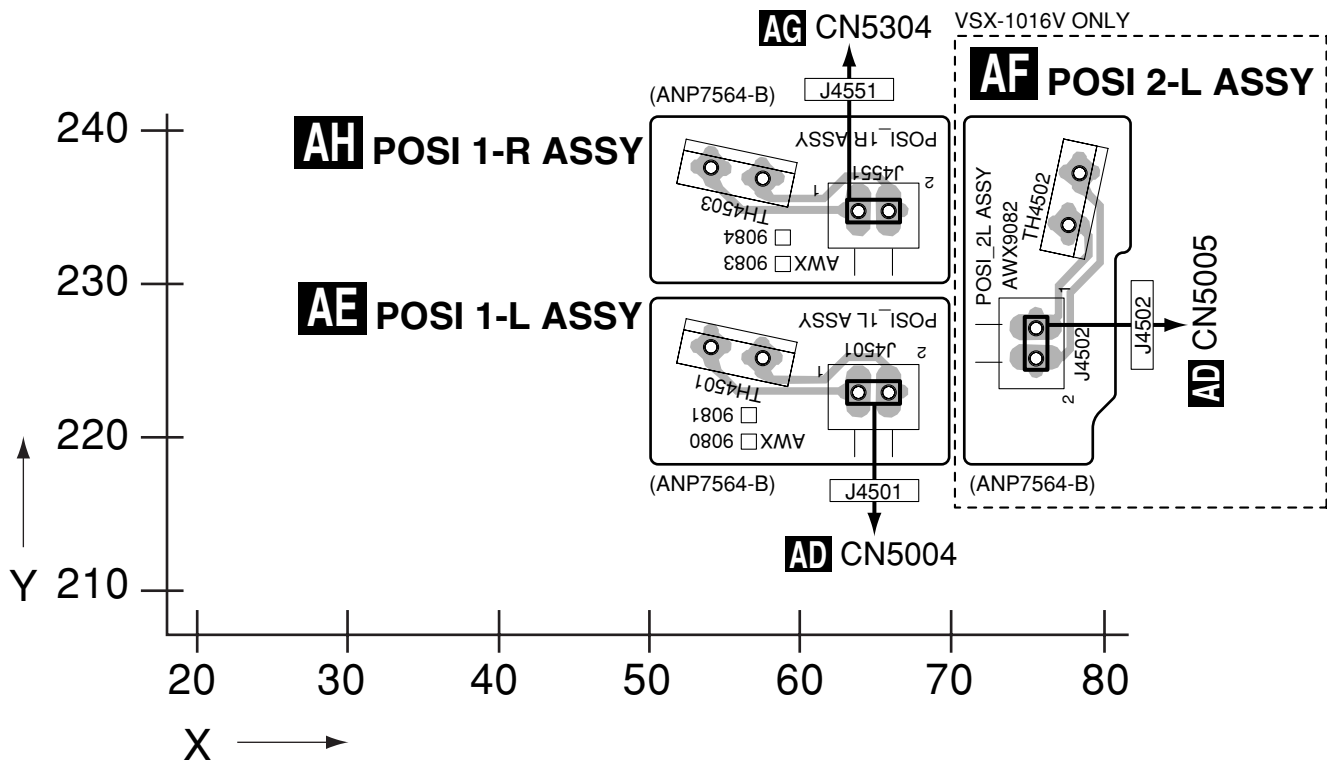
X TRANS 2-2 ASSY

X

4.22 POSI 1-L, POSI 2-L and POSI 1-R ASSYS

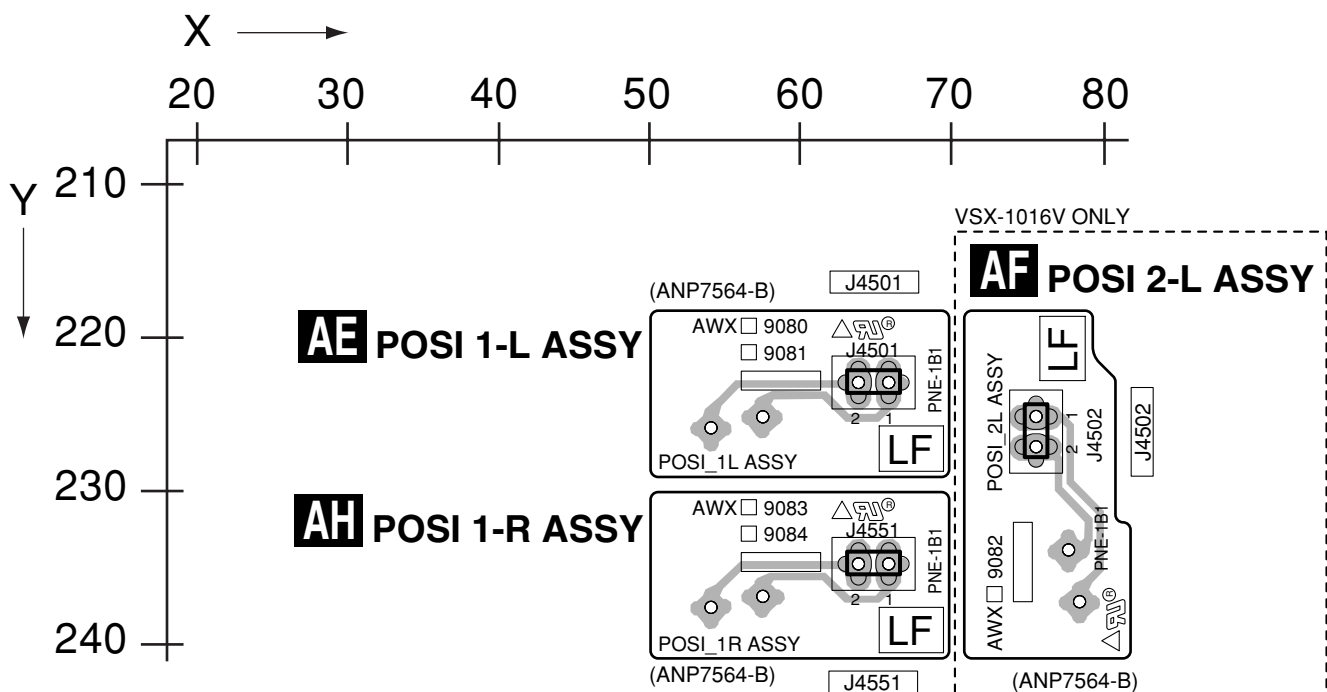
SIDE A

SIDE A



SIDE B

SIDE B



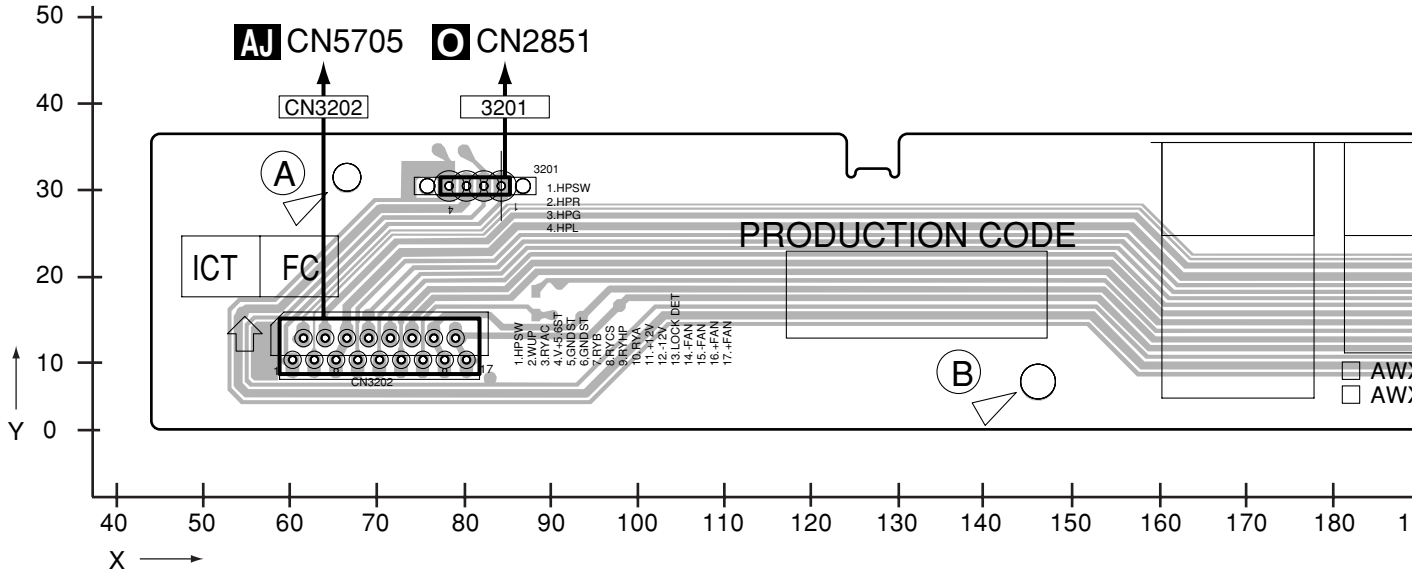
AE AF AH

AE AF AH

4.23 TRANS SIDE ASSY

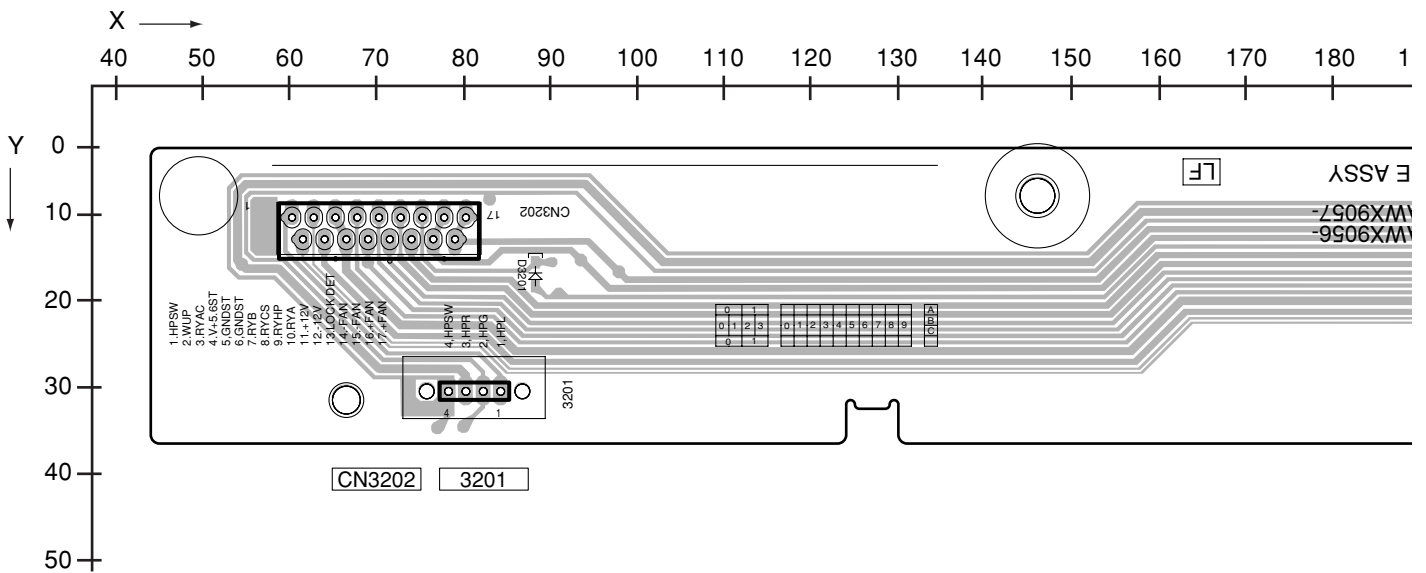
SIDE A

Y TRANS SIDE ASSY



SIDE B

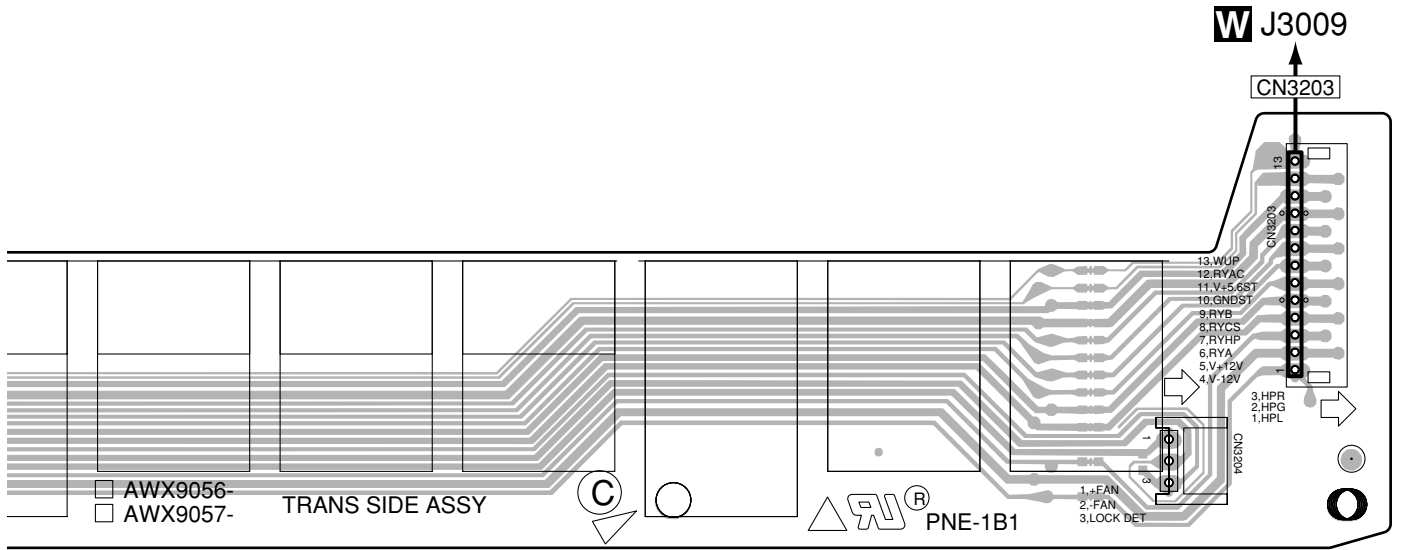
Y TRANS SIDE ASSY



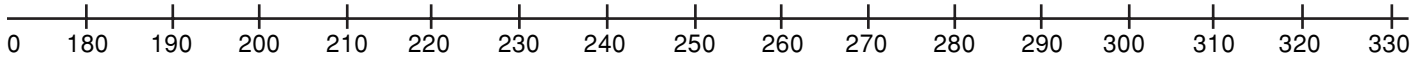
Y

SIDE A

A



(ANP7563-B)

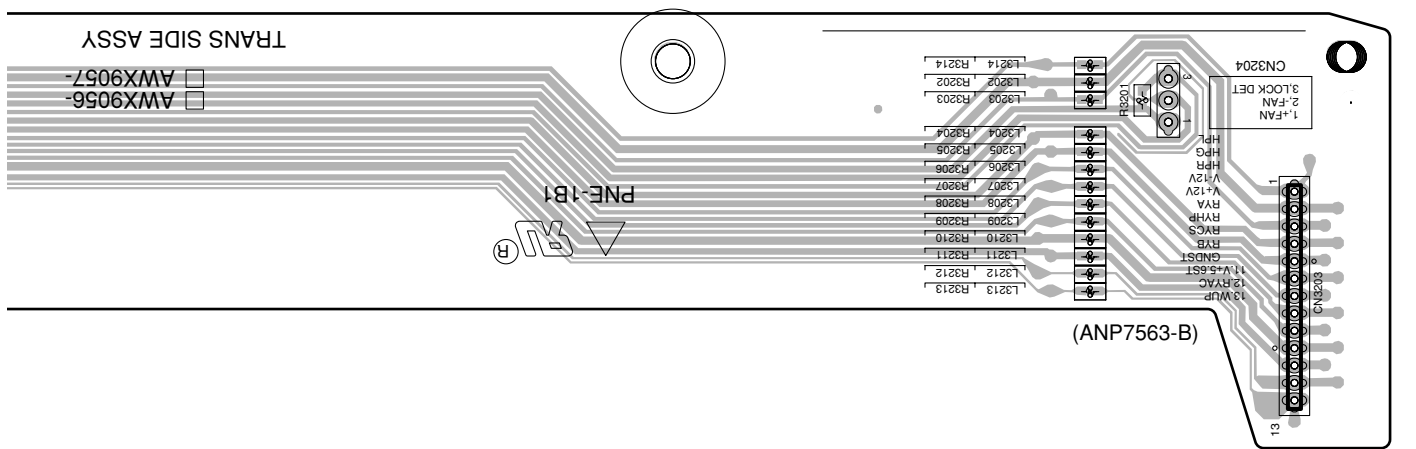
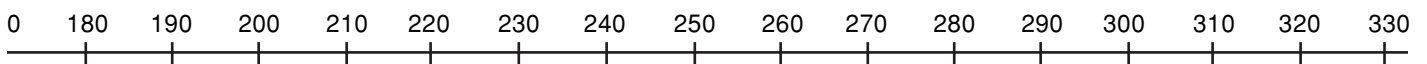


B

C

SIDE B

D



(ANP7563-B)

CN3203

E

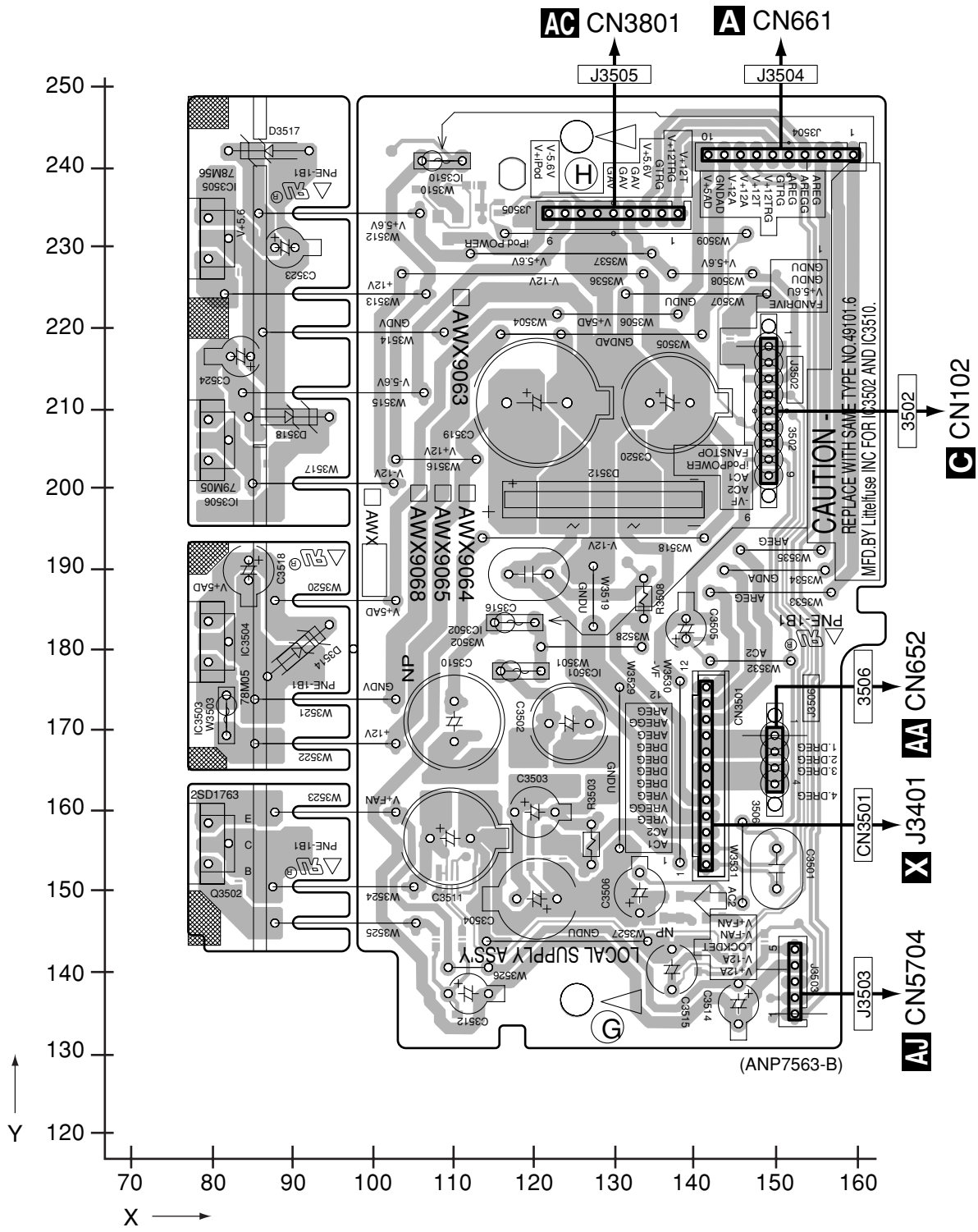
F

4.24 LOCAL P-SUPPLY ASSY

SIDE A

SIDE A

Z LOCAL P-SUPPLY ASSY

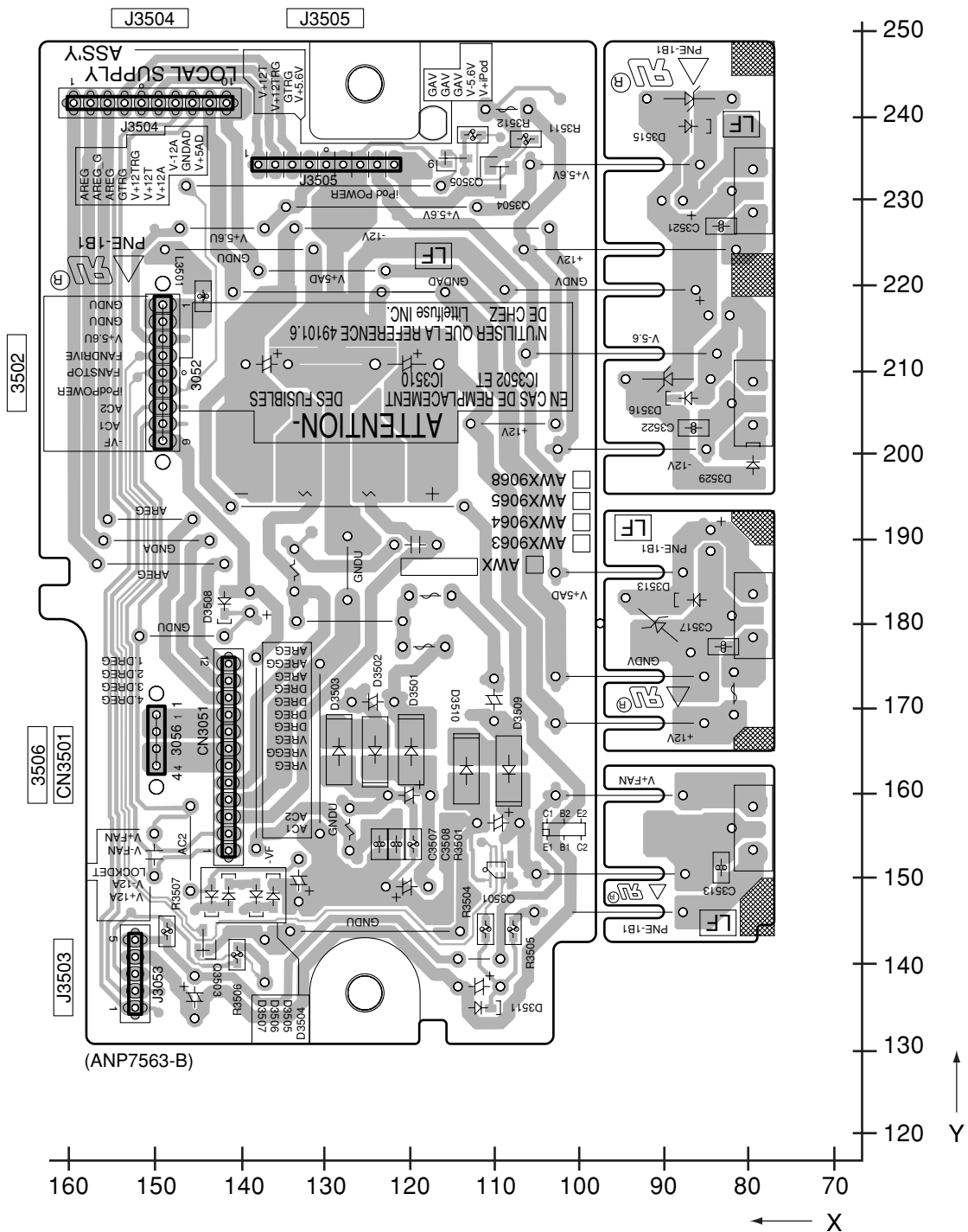


SIDE B

SIDE B

A

Z LOCAL P-SUPPLY ASSY



B

C

D

E

F

Z

Z

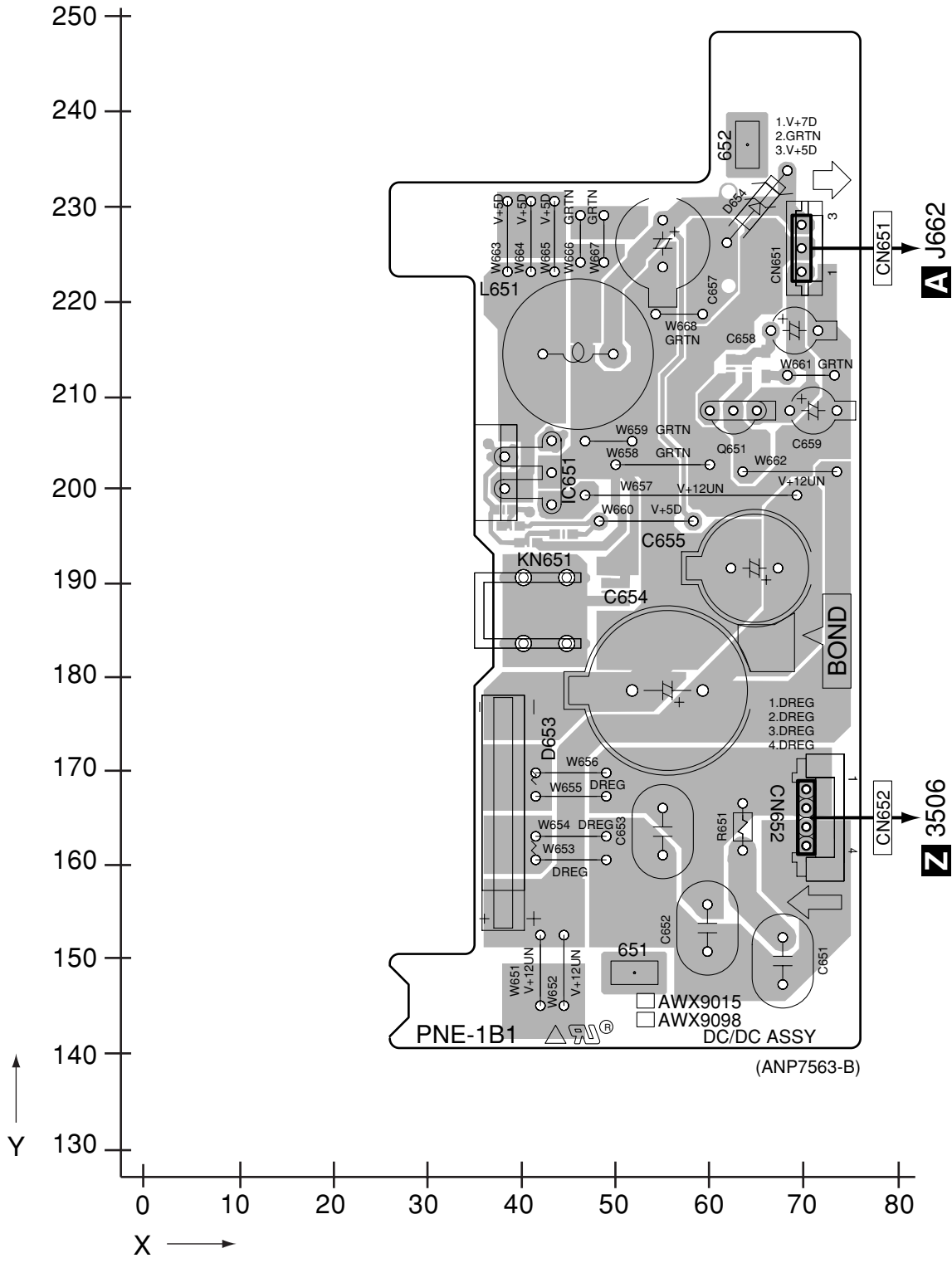
1 2 3 4

4.25 DC/DC ASSY

SIDE A

SIDE A

AA DC/DC ASSY



AA

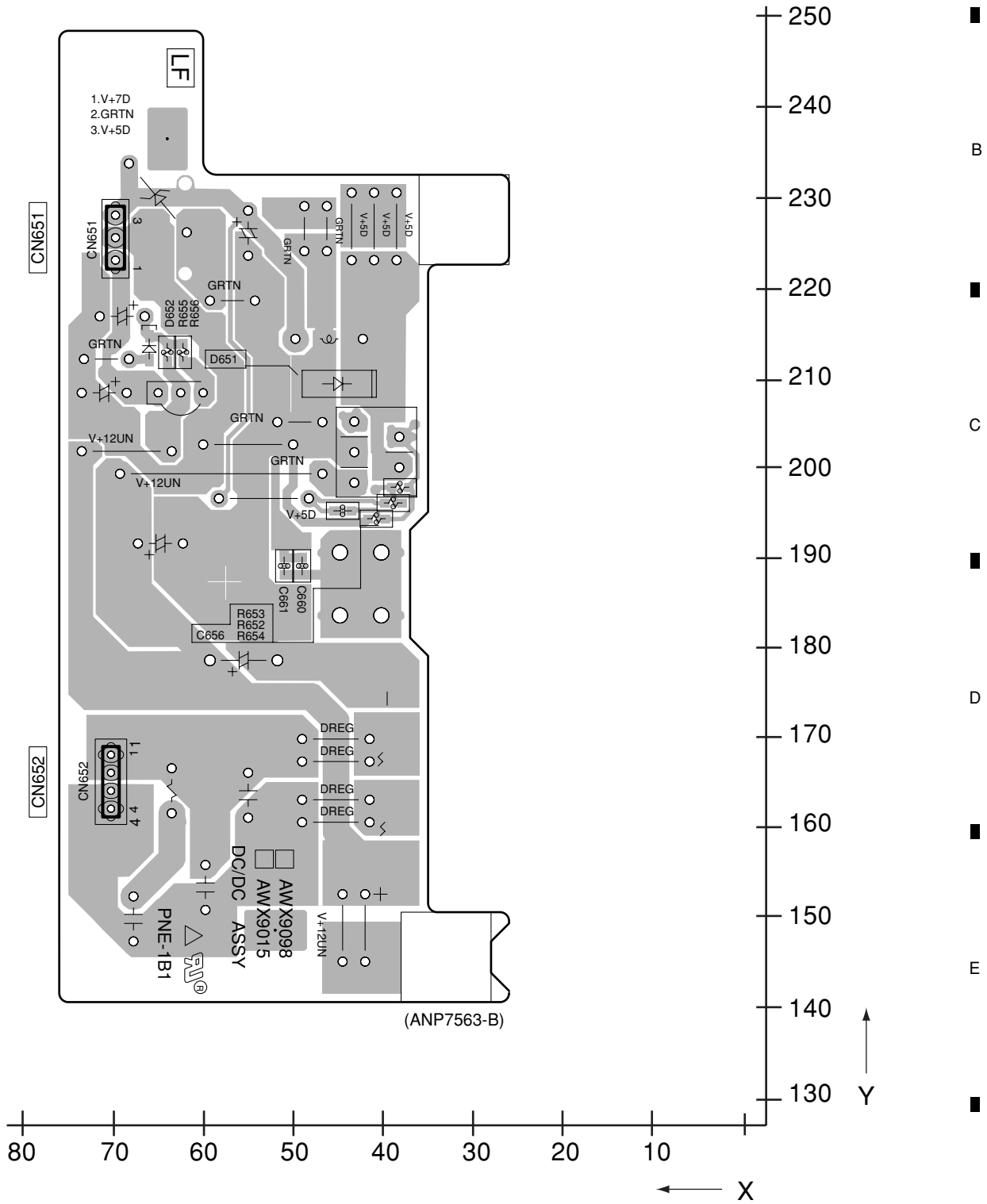
AA

SIDE B

SIDE B

A

AA DC/DC ASSY



AA

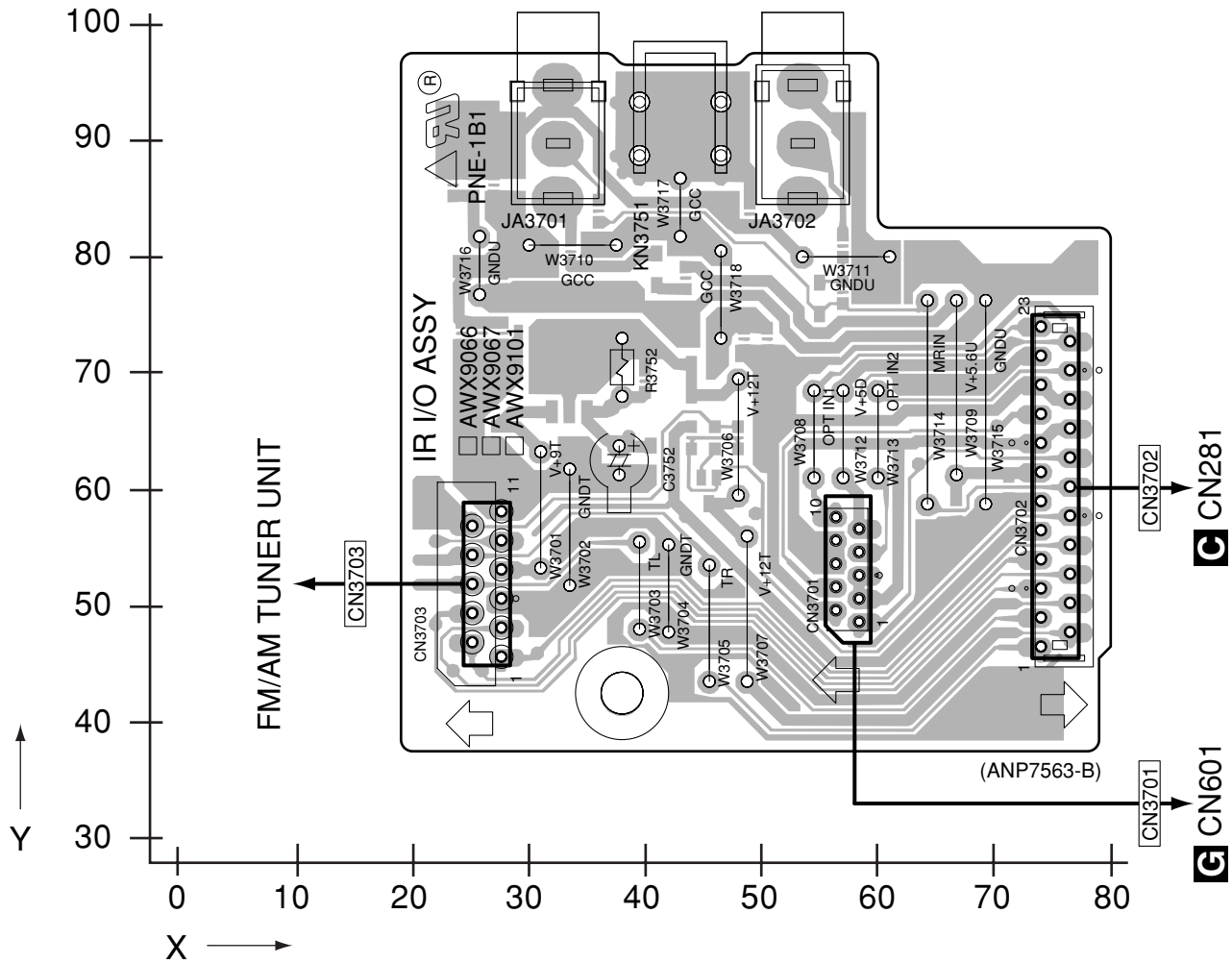
AA

4.26 IR I/O ASSY

SIDE A

SIDE A

AB IR I/O ASSY



AB

AB

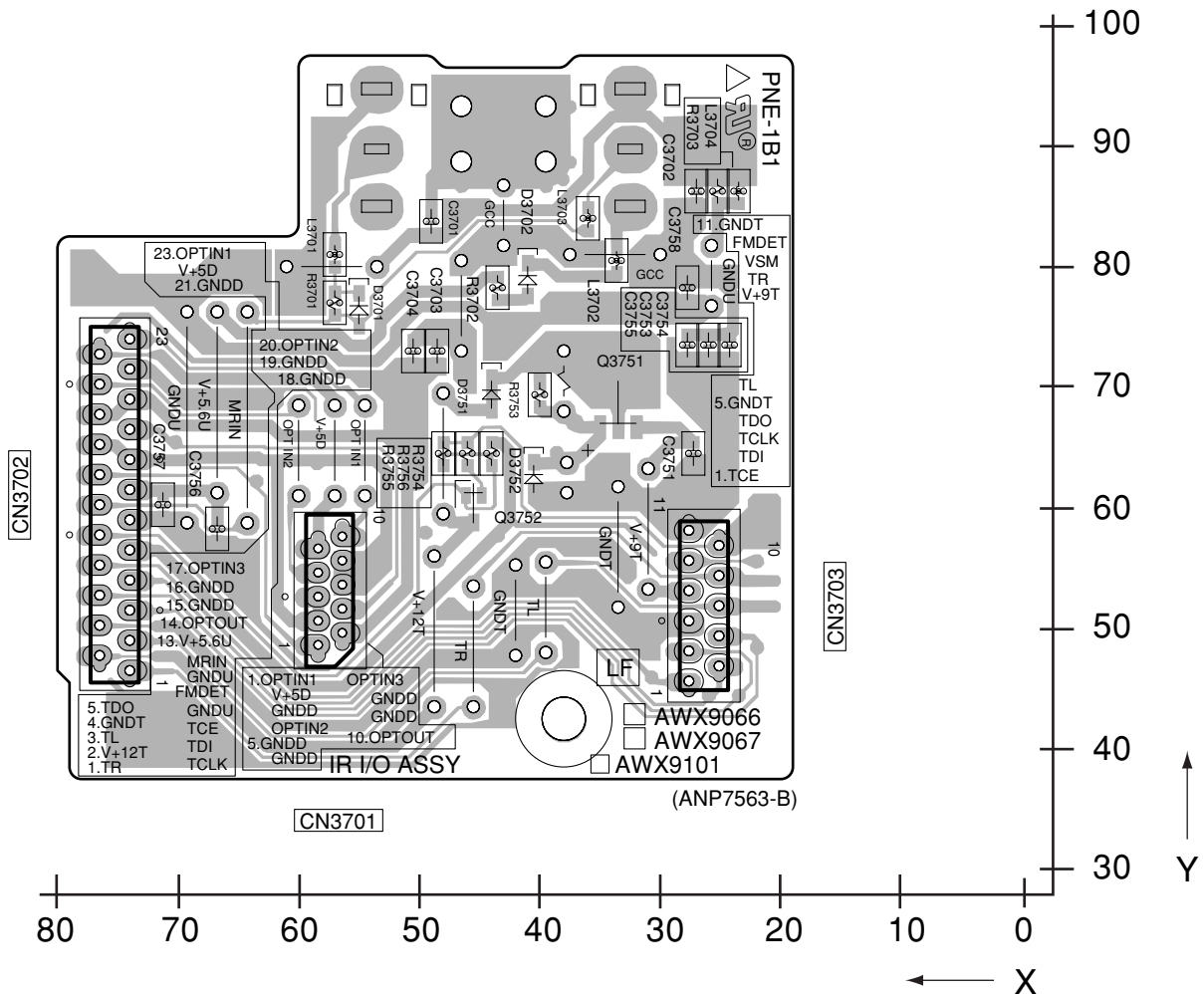
SIDE B

SIDE B

A

AB IR I/O ASSY

B



C

D

E

F

AB

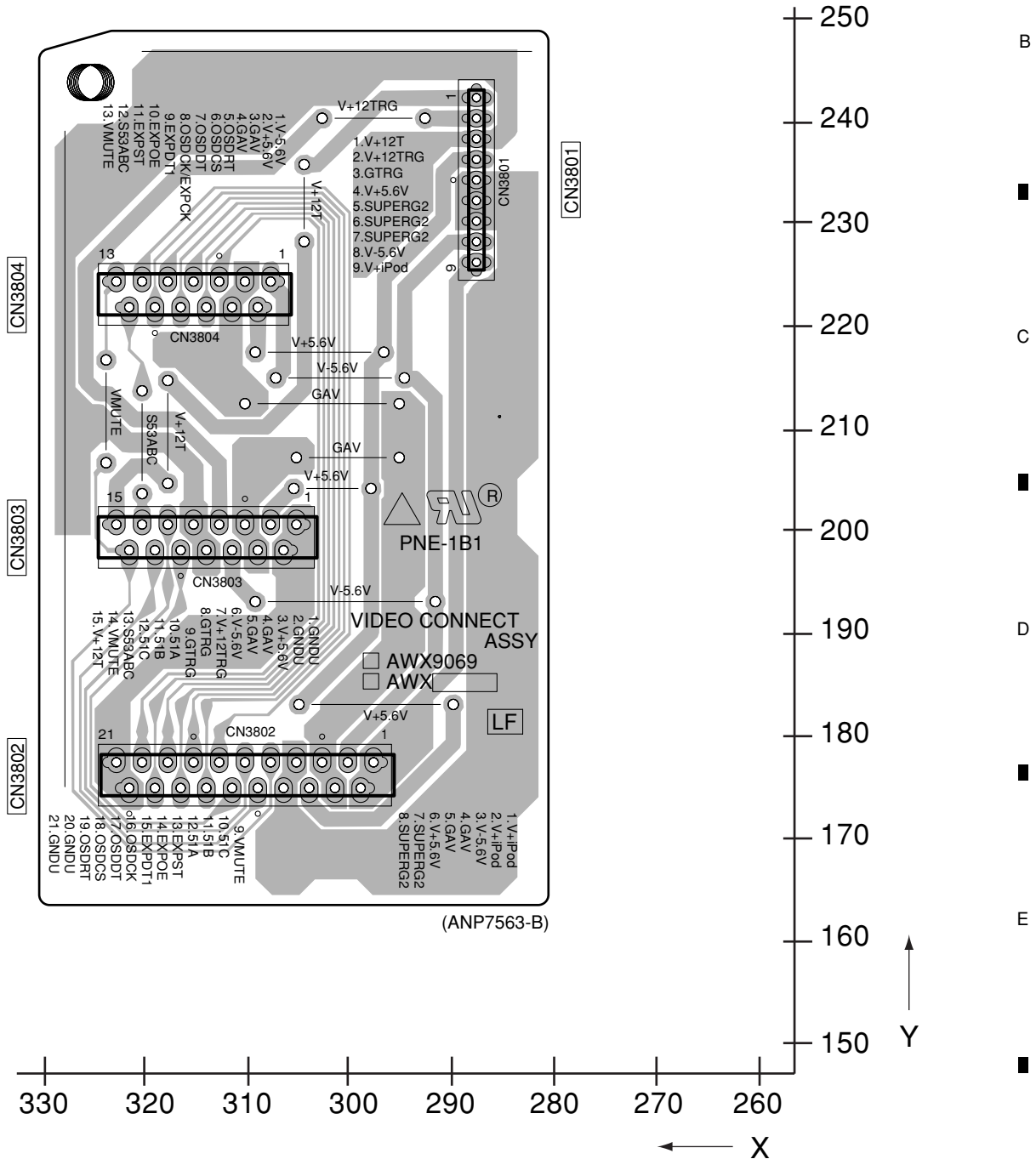
AB

SIDE B

SIDE B

A

AC VIDEO CONNECT ASSY



B

C

D

E

F

AC

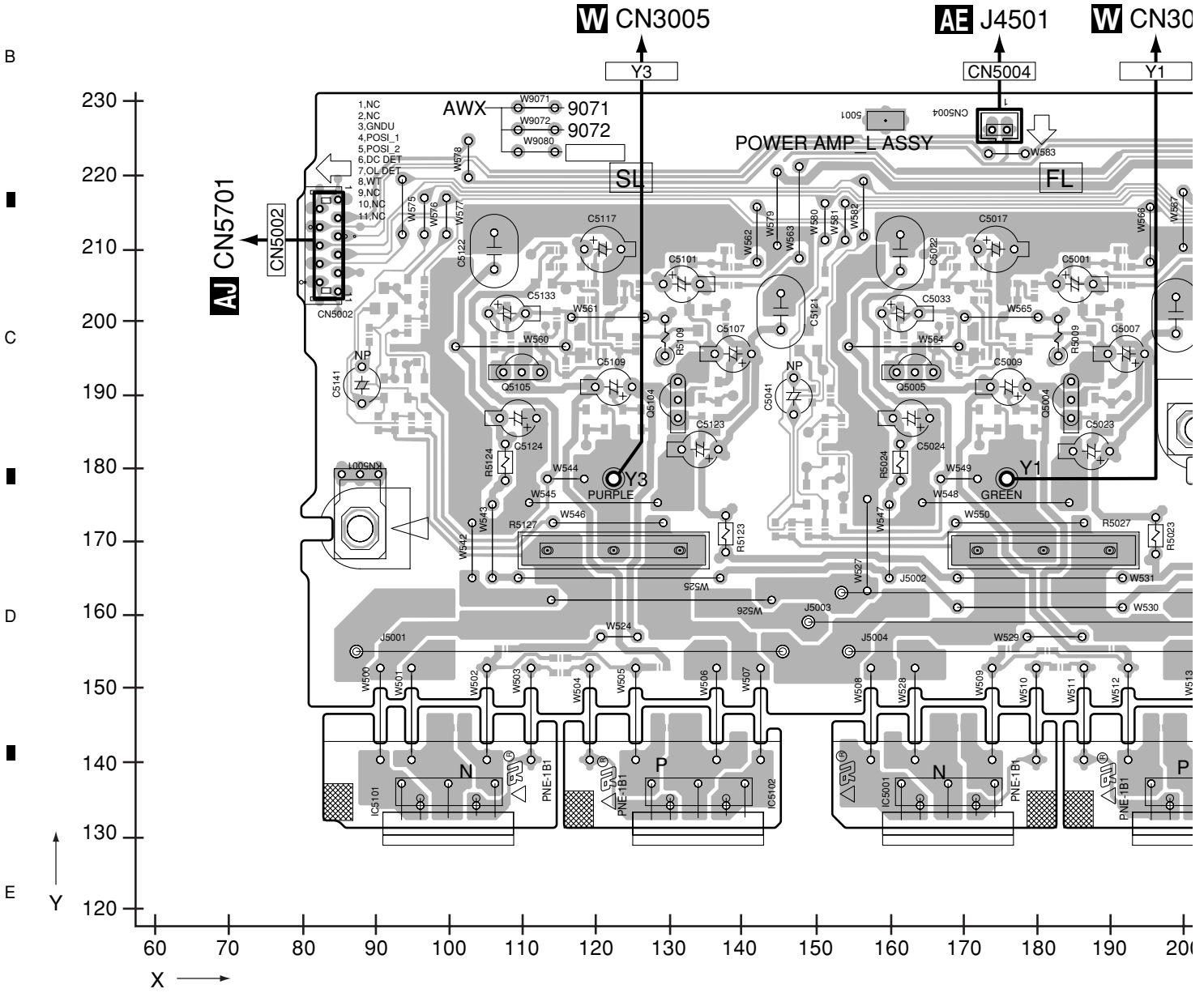
AC

1 2 3 4

4.28 POWER AMP-L ASSY

SIDE A

AD POWER AMP-L ASSY



SIDE A

A

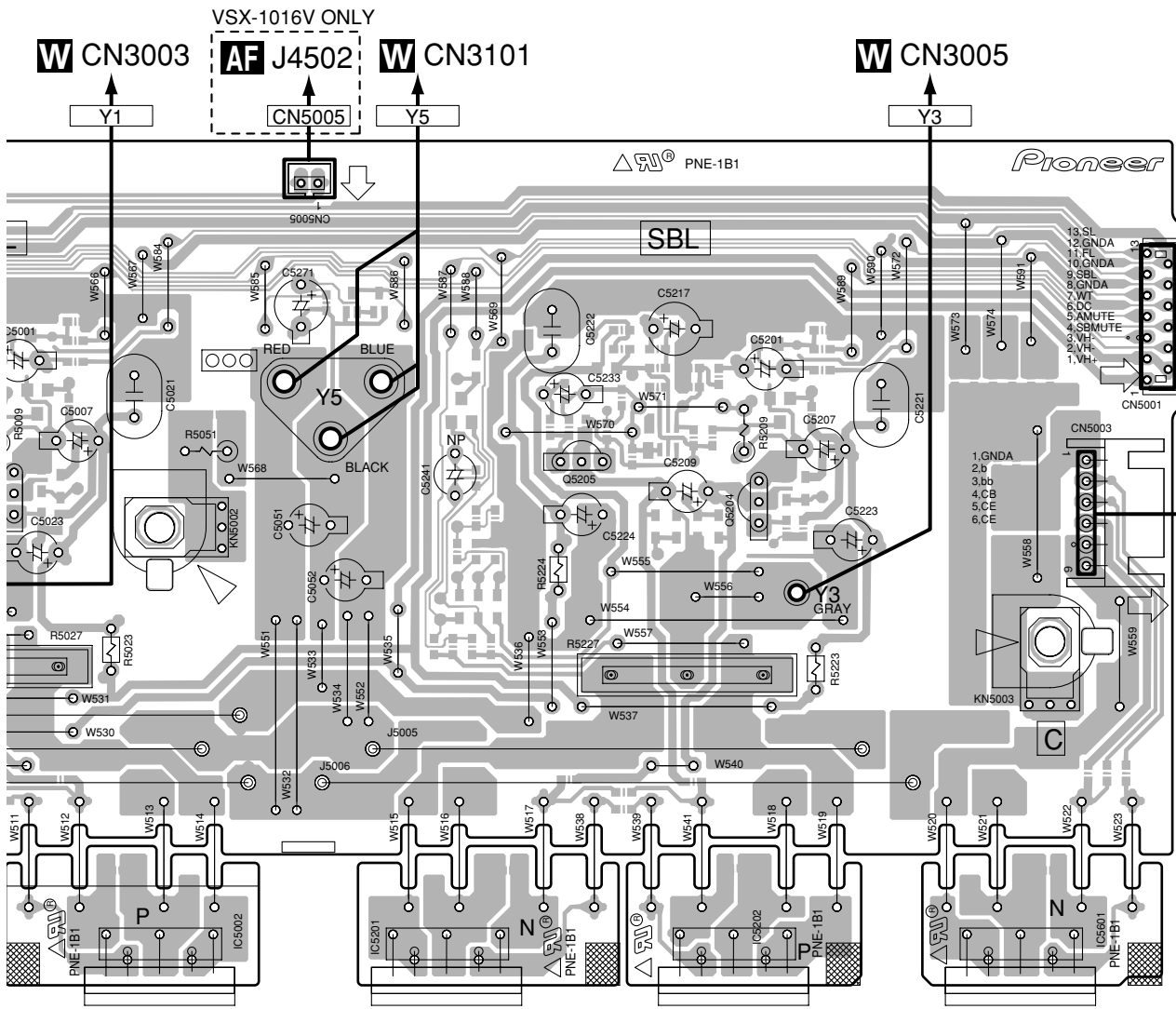
B

C

D

E

F



190 200 210 220 230 240 250 260 270 280 290 300 310 320

(ANP7564-B)

SIDE B

A

B

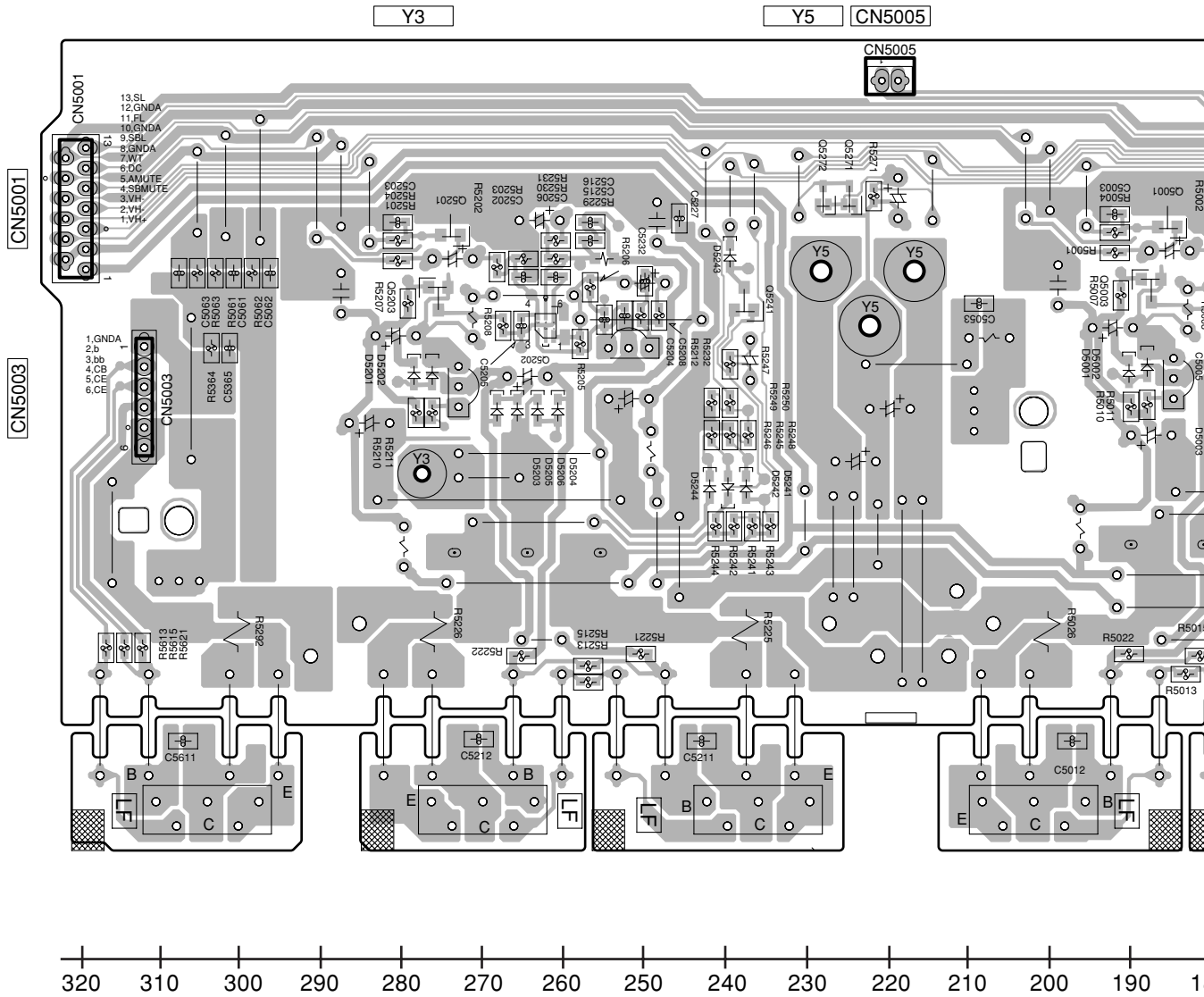
C

D

E

F

AD POWER AMP-L ASSY



AD

SIDE B

A

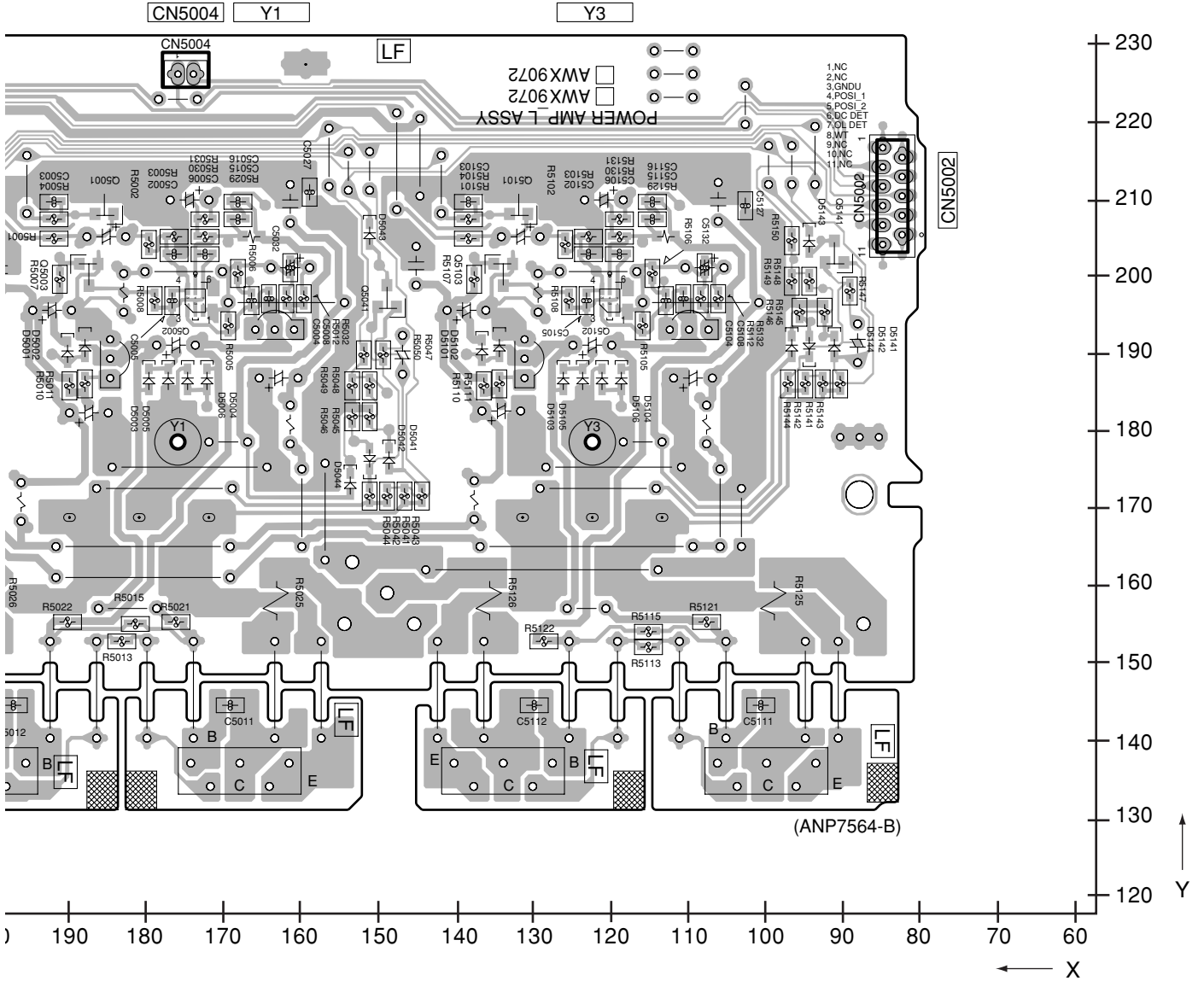
B

C

D

E

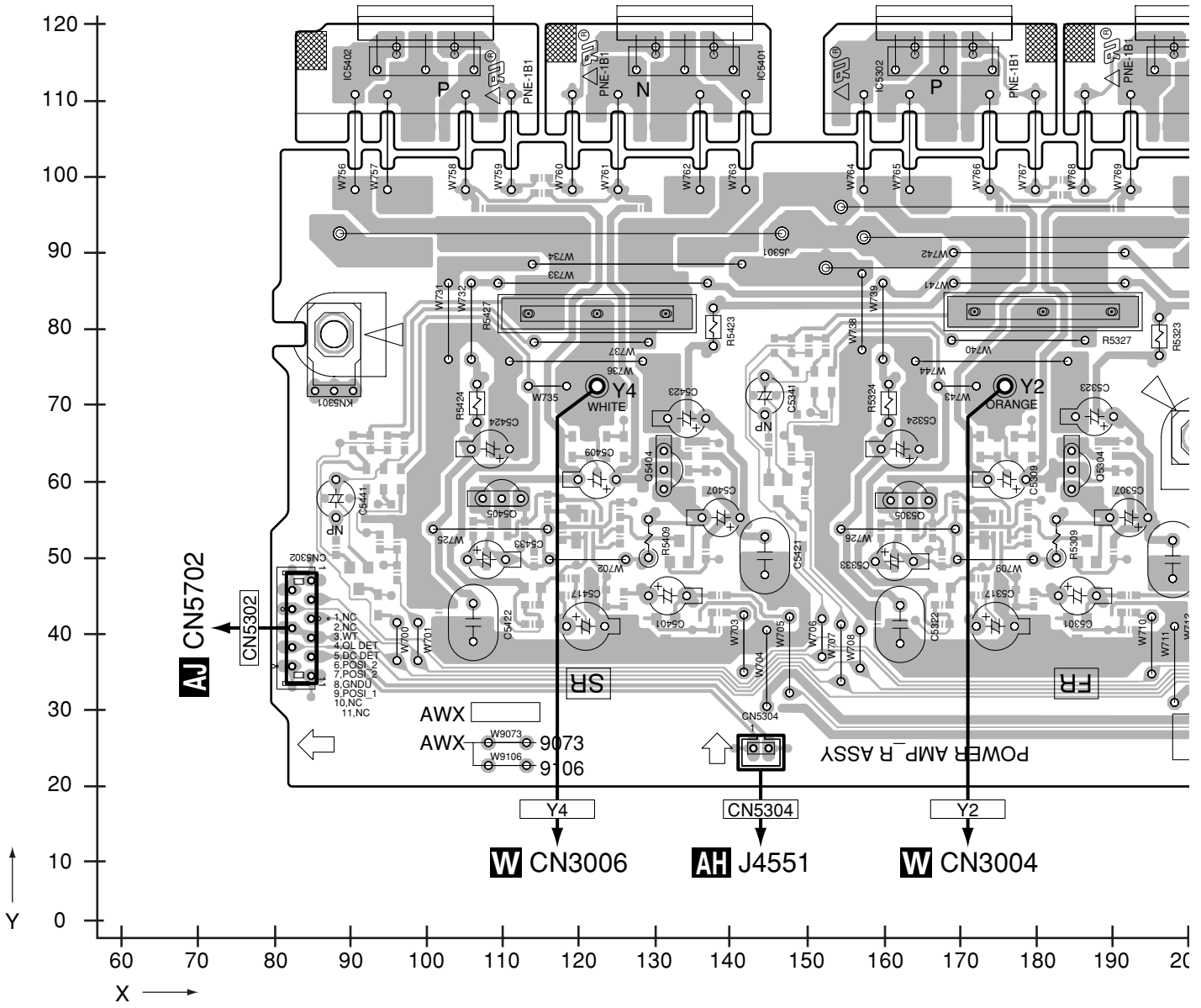
F



4.29 POWER AMP-R ASSY

SIDE A

AG POWER AMP-R ASSY



SIDE A

A

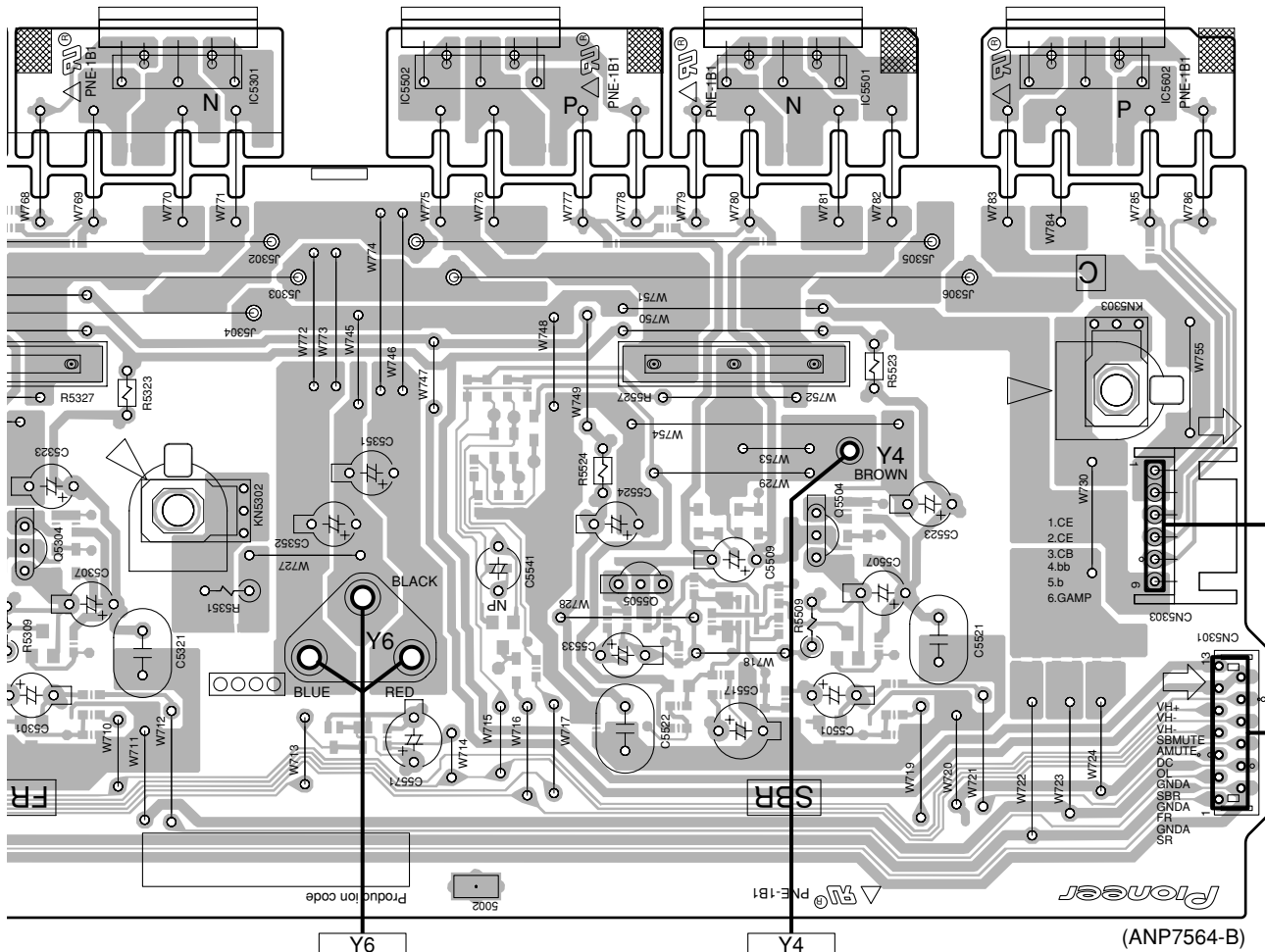
B

C

D

E

F



W CN3102

W CN3006

A CN5602 **A** CN5606

A CN5303

A CN5301

190 200 210 220 230 240 250 260 270 280 290 300 310 320

SIDE B

A

AG POWER AMP-R ASSY

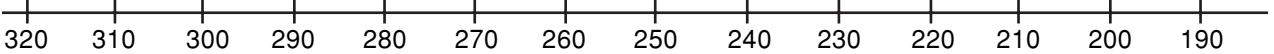
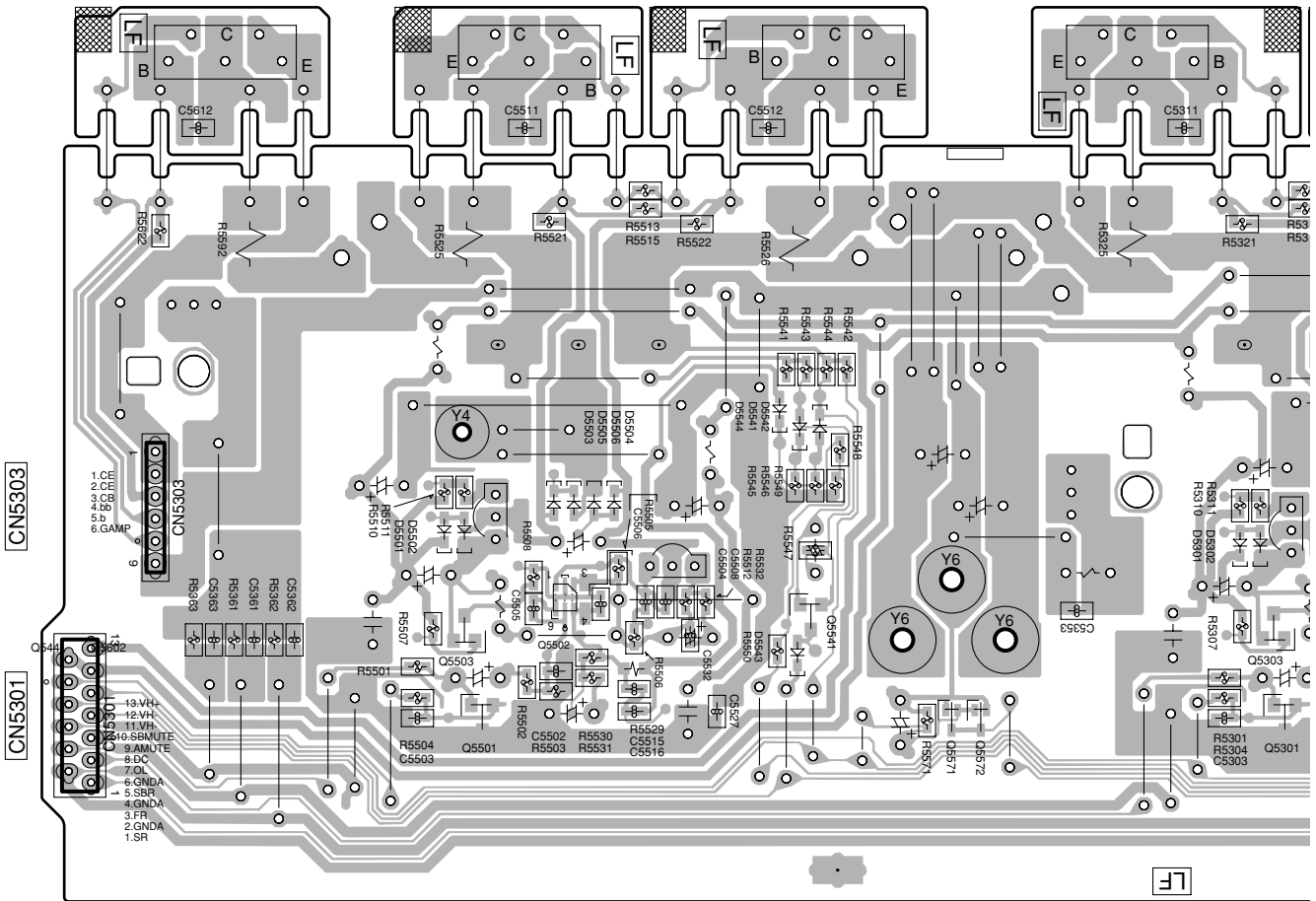
B

C

D

E

F



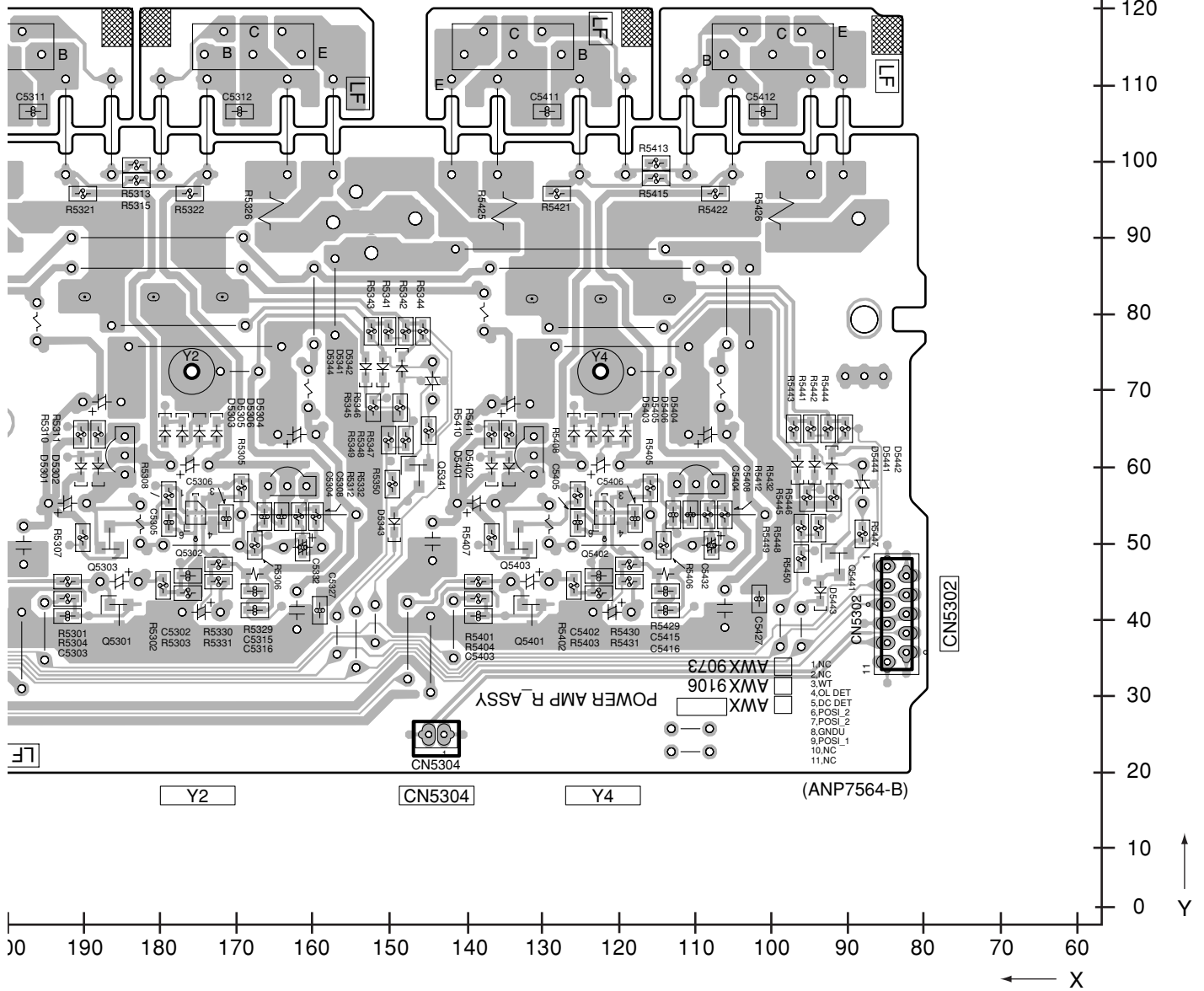
Y4

Y6

AG

SIDE B

A
B
C
D
E
F



5

6

7

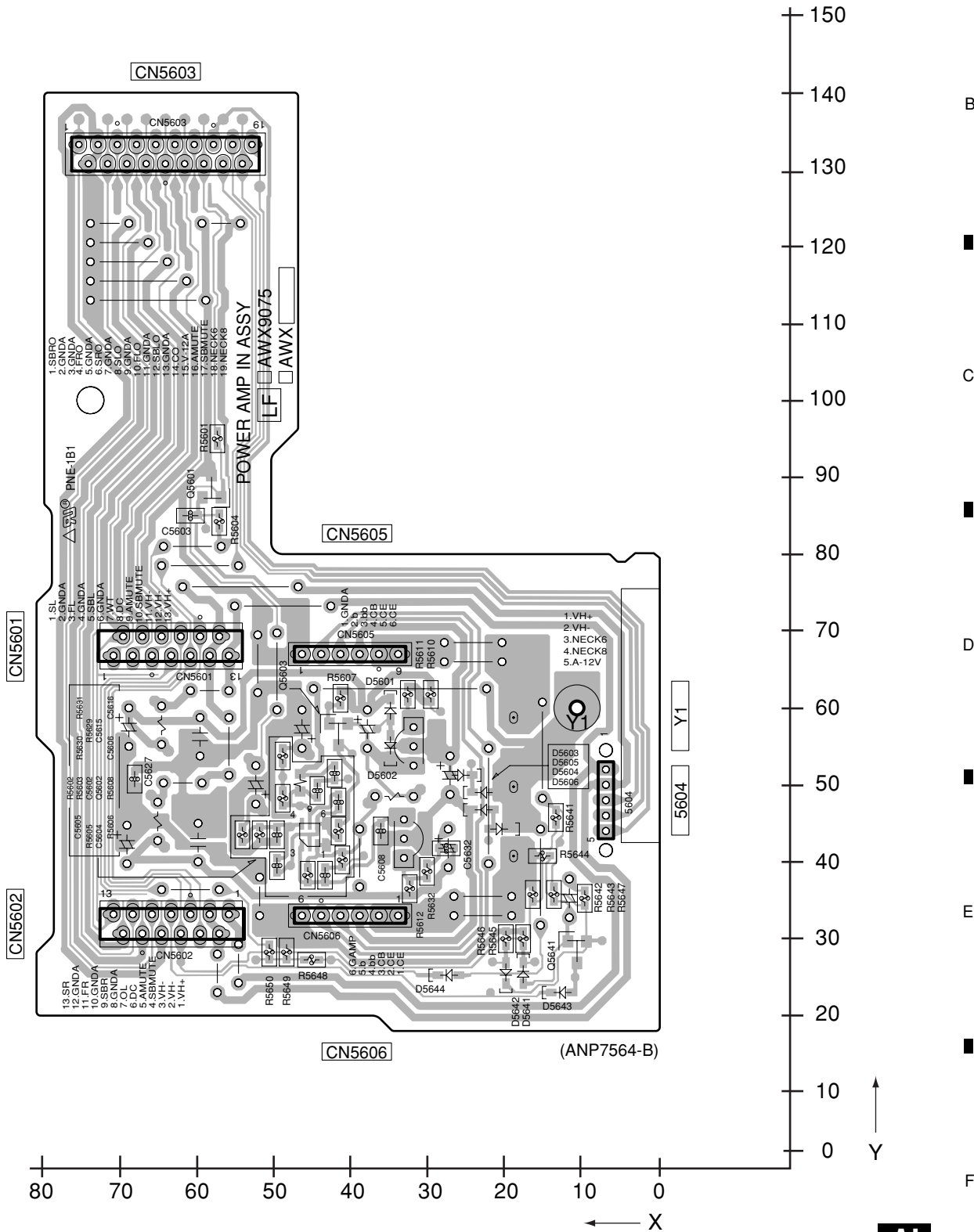
8

SIDE B

SIDE B

A

AI POWER AMP IN ASSY



AI

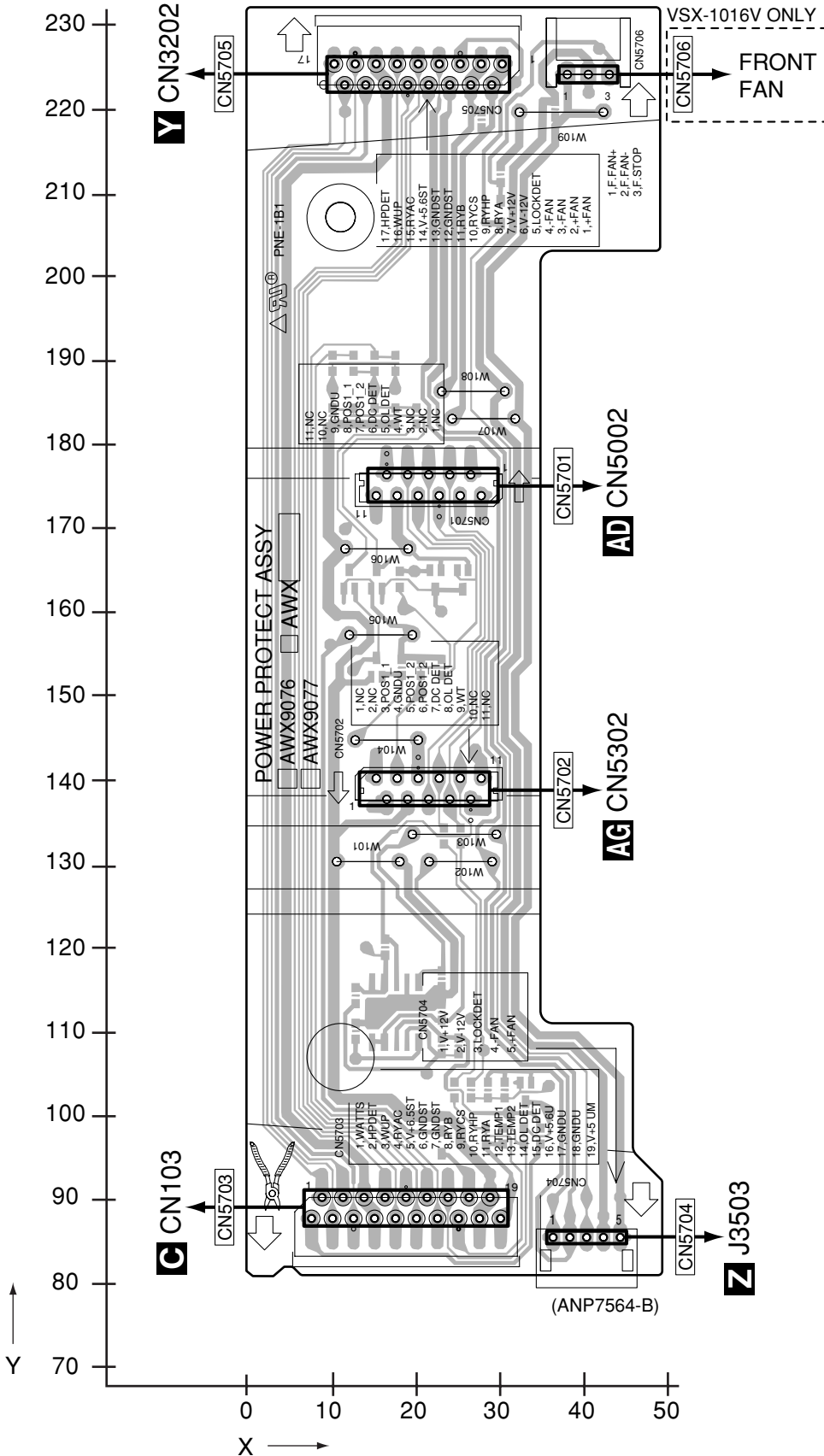
AI

4.31 POWER PROTECT ASSY

SIDE A

SIDE A

AJ POWER PROTECT ASSY



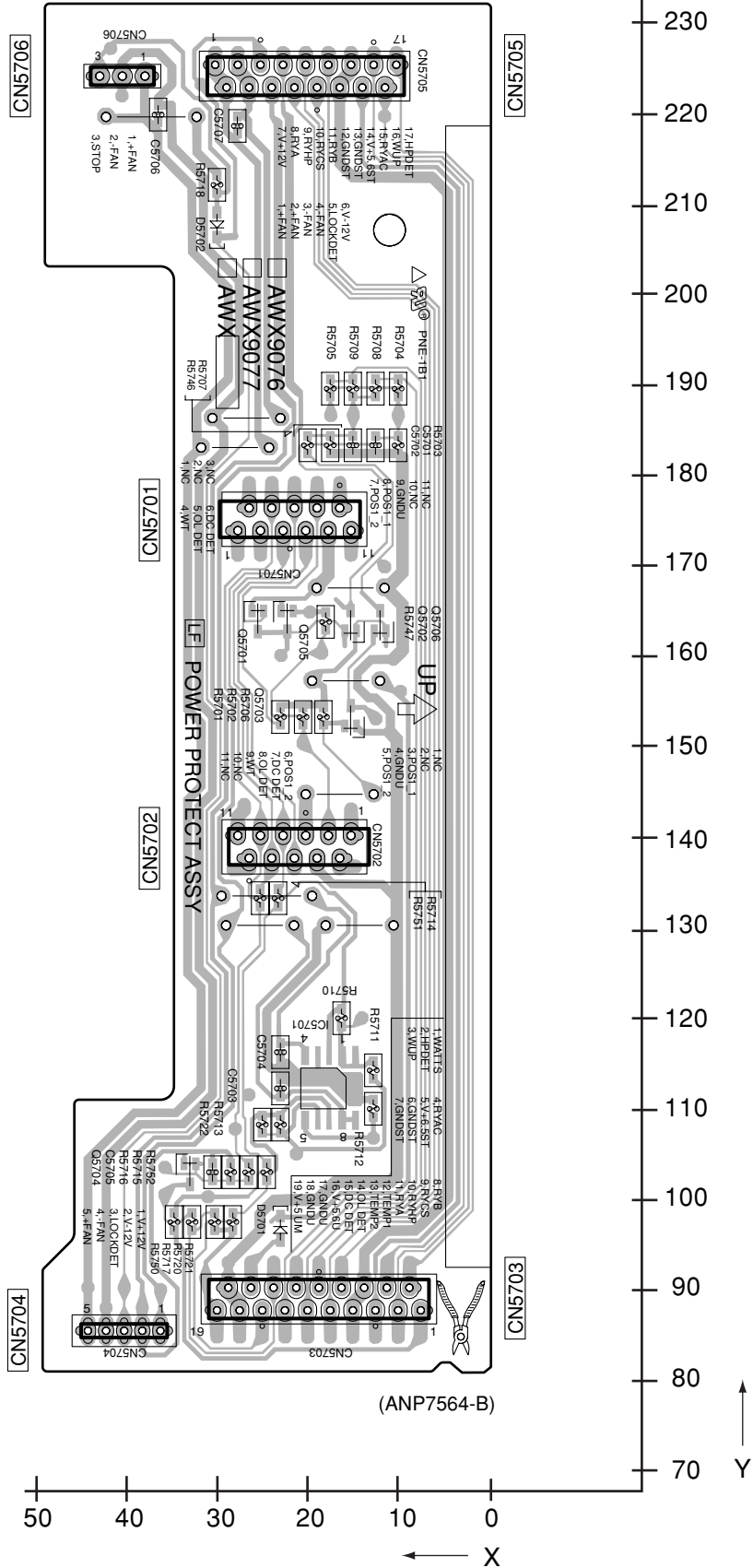
AJ

AJ

SIDE B

SIDE B

AJ POWER PROTECT ASSY



A
B
C
D
E
F

AJ

AJ

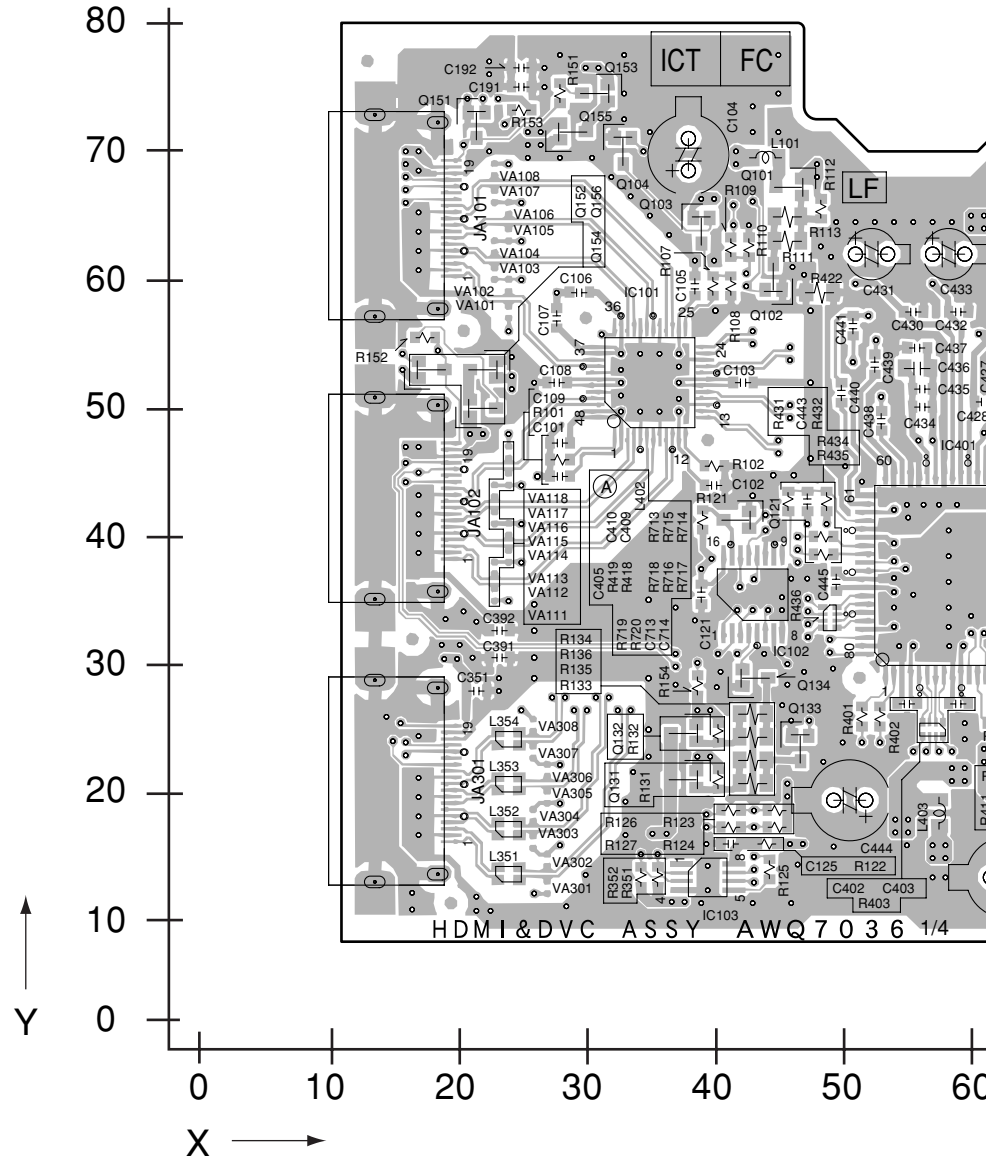
VSX-1016V-K

1 2 3 4

4.32 HDMI & DVC ASSY

SIDE A

AK HDMI & DVC ASSY



AK

SIDE A

A

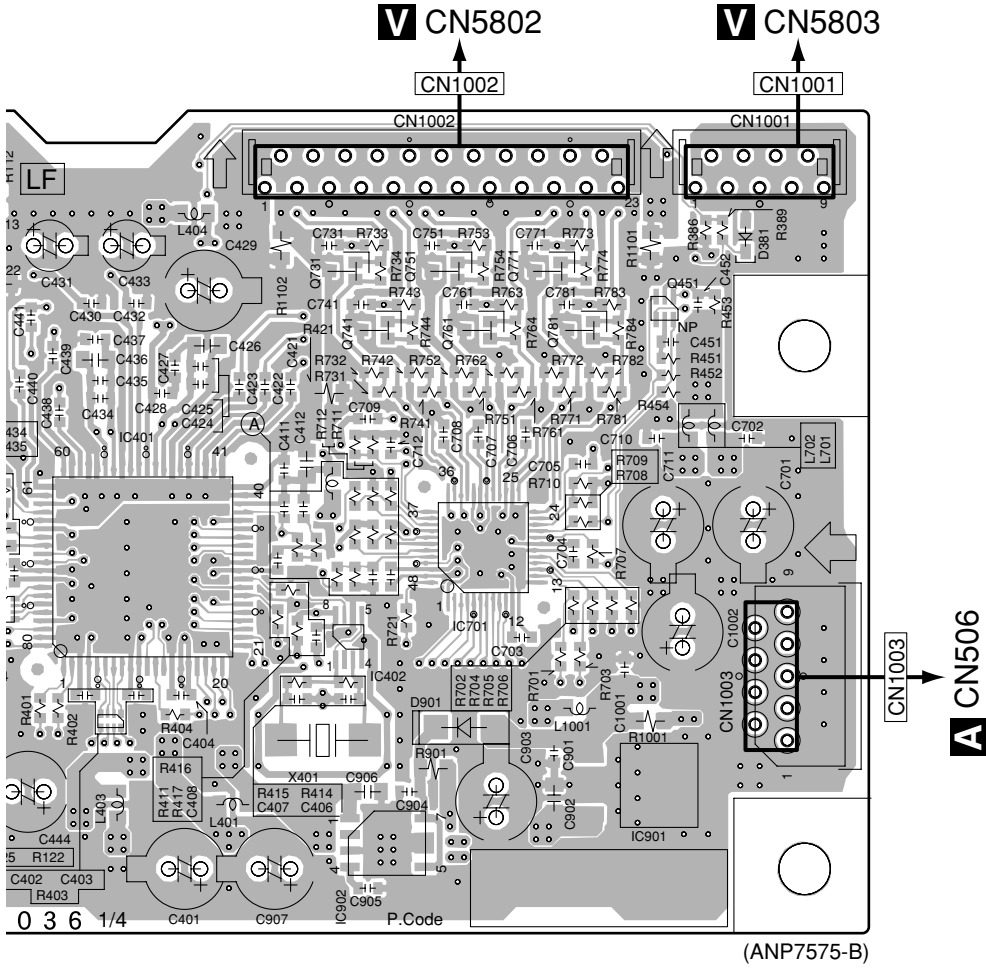
B

C

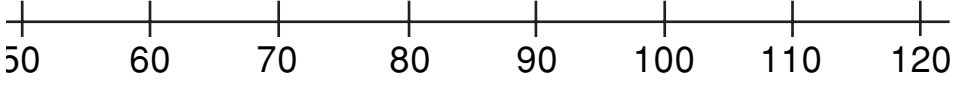
D

E

F



(ANP7575-B)



SIDE B

A

AK HDMI & DVC ASSY

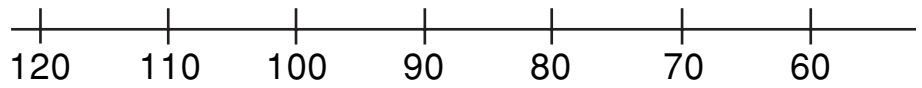
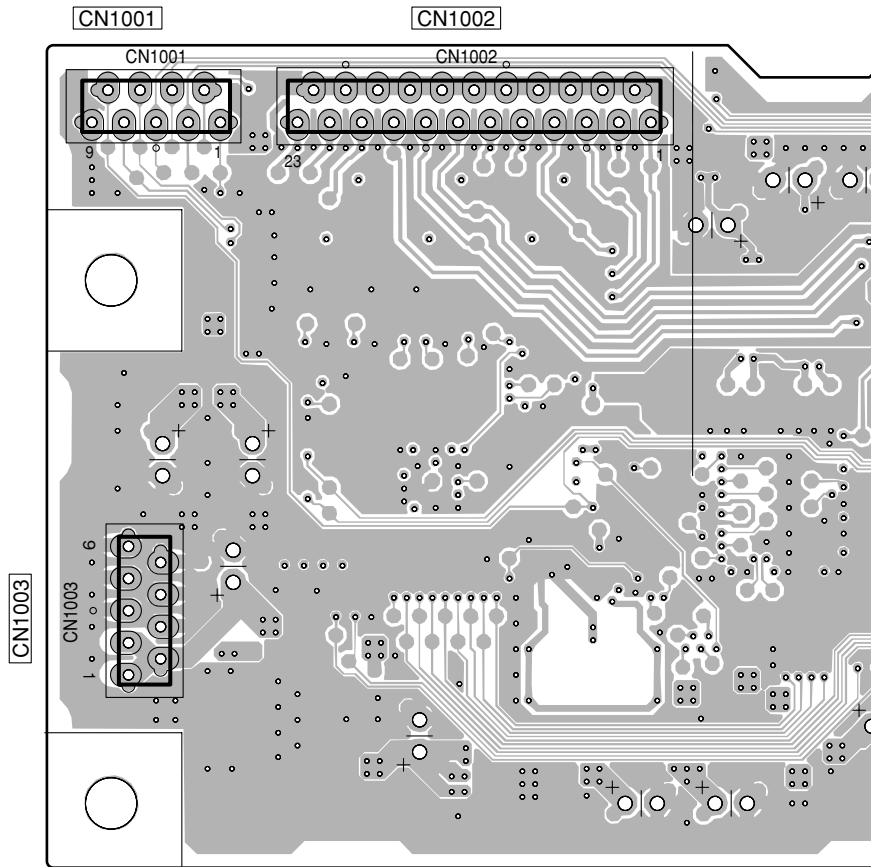
B

C

D

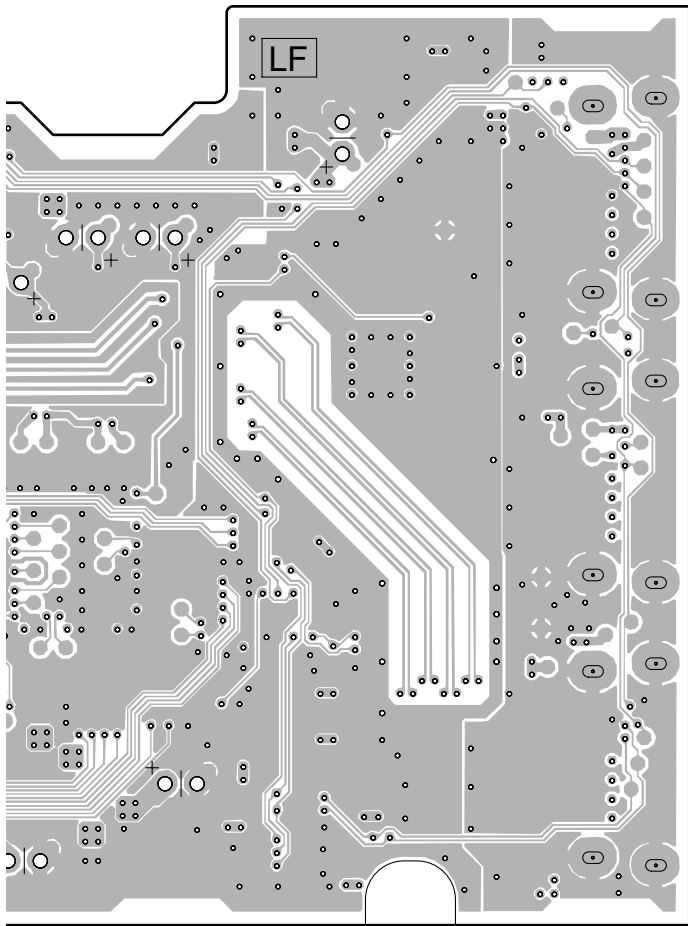
E

F

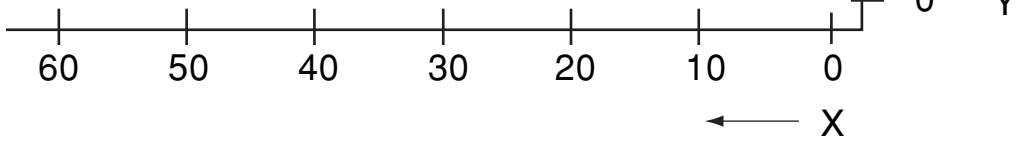


AK

SIDE B



(ANP7575-B)



A
B
C
D
E
F

4.33 USB ASSY (VSX-1016V ONLY)

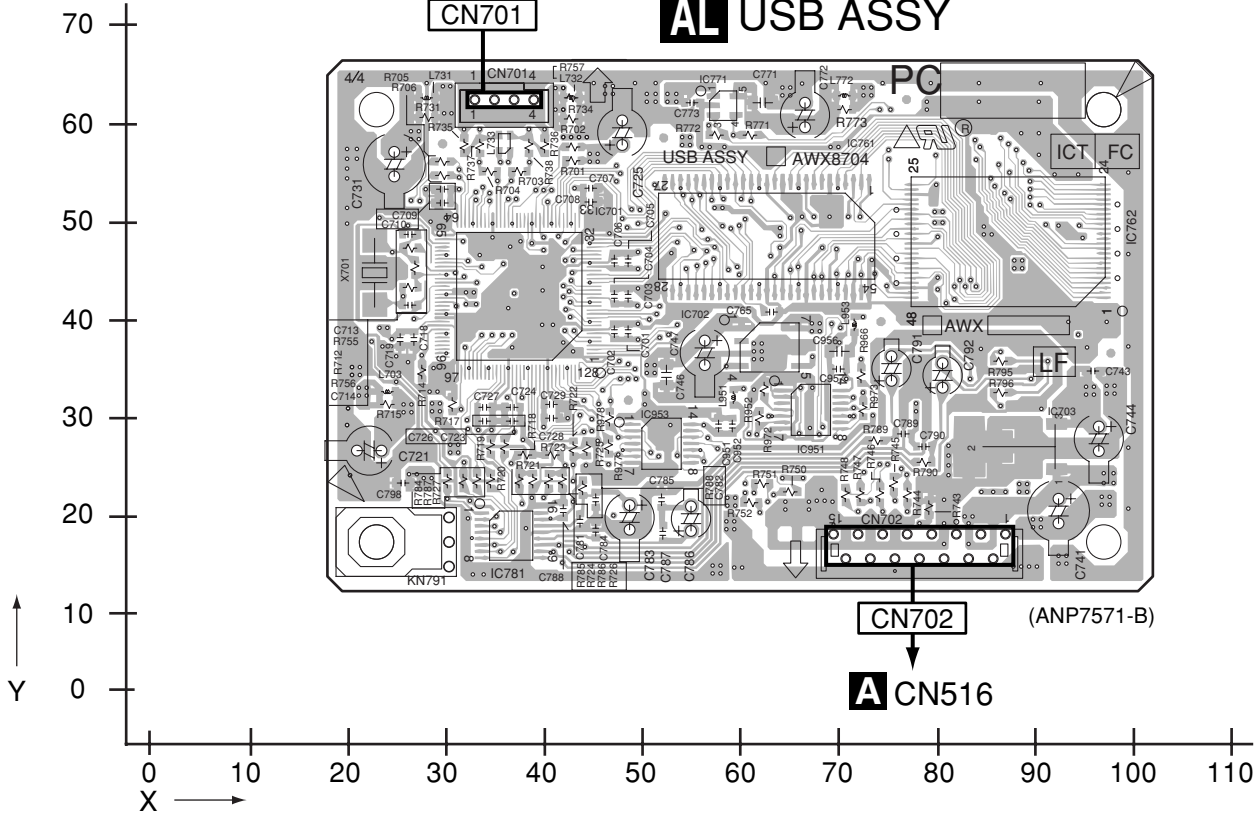
SIDE A

SIDE A

A

B

C



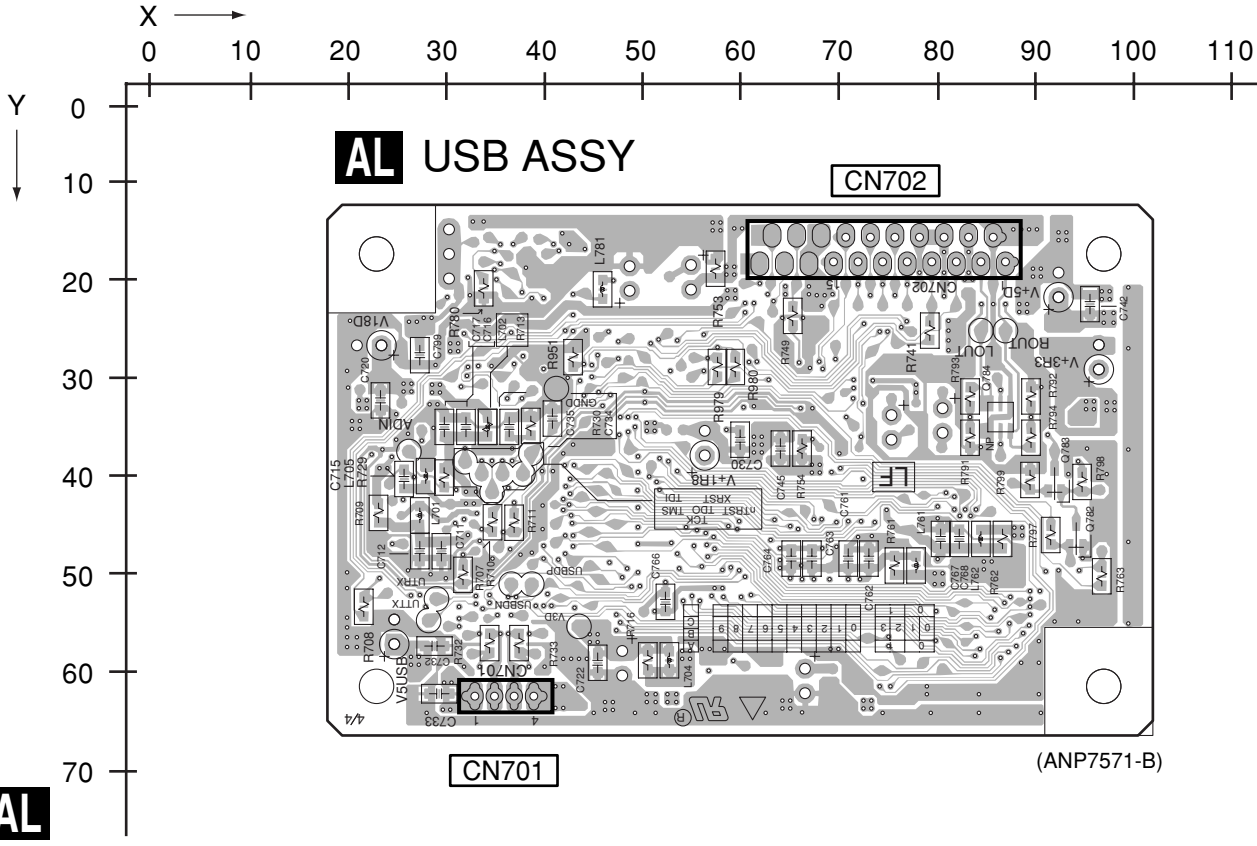
SIDE B

SIDE B

D

E

F



■

5

■

6

■

7

■

8

■

A

■

B

■

C

■

D

■

E

■

F

■

5

■

6

VSX-1016V-K

■

7

■

8

■

5. PCB PARTS LIST

NOTES: ● Parts marked by "NSP" are generally unavailable because they are not in our Master Spare Parts List.

● The Δ mark found on some component parts indicates the importance of the safety factor of the part.

Therefore, when replacing, be sure to use parts of identical designation.

● When ordering resistors, first convert resistance values into code form as shown in the following examples.

Ex.1 When there are 2 effective digits (any digit apart from 0), such as 560 ohm and 47k ohm (tolerance is shown by J=5%, and K=10%).

560 Ω \rightarrow 56 x 10¹ \rightarrow 561 RD1/4PU $\overline{561}$ J

47k Ω \rightarrow 47 x 10³ \rightarrow 473 RD1/4PU $\overline{473}$ J

0.5 Ω \rightarrow R50 RN2H $\overline{R50}$ K

1 Ω \rightarrow 1R0 RS1P $\overline{1R0}$ K

Ex.2 When there are 3 effective digits (such as in high precision metal film resistors).

5.62k Ω \rightarrow 562 x 10¹ \rightarrow 5621 RN1/4PC $\overline{5621}$ F

● Meaning of the figures and others in the parentheses in the parts list.

Example) IC 301 is on the point (face A, 91 of x-axis, and 111 of y-axis) of the corresponding PC board.

IC 301 (A, 91, 111) IC NJM2068V

LIST OF WHOLE PCB ASSEMBLIES

Mark	Symbol and Description	VSX-1016V-K /HYXJ5	VSX-1016V-S /HYXJ5	VSX-1016TXV-K /KUXJ	VSX-80TXV /KUXJCA	VSX-80TXV-S /KUXJCA
NSP	1..MAIN ASSY	AWK7894	AWK7894	AWK7892	AWK7893	AWK7893
	2..MAIN CONTROL ASSY	AWX9018	AWX9018	AWX9016	AWX9017	AWX9017
	2..AUDIO IN ASSY	AWX9022	AWX9022	AWX9027	AWX9088	AWX9088
	2..12V-REG ASSY	AWX9014	AWX9014	AWX9014	AWX9014	AWX9014
	2..GUARD-C ASSY	AWX9051	AWX9051	AWX9051	AWX9051	AWX9051
	2..GUARD-F ASSY	AWX9070	AWX9070	AWX9070	AWX9070	AWX9070
	2..GUARD-R ASSY	AWX9025	AWX9025	AWX9025	AWX9025	AWX9025
NSP	1..DSP ASSY	AWX8572	AWX8572	AWX8699	AWX8699	AWX8699
NSP	1..VIDEO ASSY	AWK7945	AWK7945	AWK7944	AWK7900	AWK7900
	2..COMPOSITE ASSY	AWX9089	AWX9089	AWX9089	AWX9090	AWX9090
	2..S-VIDEO ASSY	AWX9099	AWX9099	AWX9099	AWX9105	AWX9105
	2..COMPONENT ASSY	AWX9031	AWX9031	AWX9032	AWX9032	AWX9032
	2..BRIDGE 2 ASSY	AWX9050	AWX9050	AWX9050	AWX9050	AWX9050
NSP	1..COMPLEX ASSY	AWK7971	AWK7907	AWK7905	AWK7970	AWK7906
	2..PRIMARY ASSY	AWX9086	AWX9086	AWX9085	AWX9085	AWX9085
	2..TRANS 1 ASSY	AWX9038	AWX9038	AWX9038	AWX9038	AWX9038
	2..DISPLAY ASSY	AWX9104	AWX9104	AWX9042	AWX9043	AWX9043
	2..VOLUME ASSY	AWX9044	AWX9111	AWX9044	AWX9044	AWX9111
	2..MULTI JOG ASSY	AWX9046	AWX9113	AWX9046	AWX9046	AWX9113
	2..FRONT-IN ASSY	AWX9048	AWX9048	AWX9047	AWX9047	AWX9047
2..HEADPHONE ASSY	AWX9049	AWX9049	AWX9049	AWX9049	AWX9049	
NSP	1..SECONDARY ASSY	AWK7916	AWK7916	AWK7914	AWK7915	AWK7915
	2..PS/SP ASSY	AWX9108	AWX9108	AWX9054	AWX9054	AWX9054
	2..TRANS SIDE ASSY	AWX9056	AWX9056	AWX9056	AWX9056	AWX9056
	2..TRANS 2-1 ASSY	AWX9059	AWX9059	AWX9058	AWX9058	AWX9058
	2..DIODE 1 ASSY	AWX9060	AWX9060	AWX9060	AWX9060	AWX9060
	2..VH TR ASSY	AWX9061	AWX9061	AWX9061	AWX9061	AWX9061
	2..TRANS 2-2 ASSY	AWX9062	AWX9062	AWX9062	AWX9062	AWX9062
	2..LOCAL P-SUPPLY ASSY	AWX9068	AWX9068	AWX9065	AWX9065	AWX9065
	2..IR I/O ASSY	AWX9067	AWX9067	AWX9101	AWX9066	AWX9066
	2..VIDEO CONNECT ASSY	AWX9069	AWX9069	AWX9069	AWX9069	AWX9069
	2..DC/DC ASSY	AWX9098	AWX9098	AWX9098	AWX9098	AWX9098
NSP	1..POWER AMP ASSY	AWK7922	AWK7922	AWK7921	AWK7921	AWK7921
	2..POWER AMP-L ASSY	AWX9072	AWX9072	AWX9071	AWX9071	AWX9071
	2..POWER AMP-R ASSY	AWX9073	AWX9073	AWX9106	AWX9106	AWX9106
	2..POWER AMP IN ASSY	AWX9075	AWX9075	AWX9075	AWX9075	AWX9075
	2..POWER PROTECT ASSY	AWX9077	AWX9077	AWX9076	AWX9076	AWX9076
	2..BRIDGE 1-L ASSY	AWX9079	AWX9079	AWX9079	AWX9079	AWX9079
	2..POSI 1-L ASSY	AWX9081	AWX9081	AWX9080	AWX9080	AWX9080
	2..POSI 2-L ASSY	AWX9082	AWX9082	Not used	Not used	Not used
	2..POSI 1-R ASSY	AWX9084	AWX9084	AWX9083	AWX9083	AWX9083
	1..HDMI & DVC ASSY	AWQ7036	AWQ7036	AWQ7036	AWQ7036	AWQ7036
1..USB ASSY	AWX8704	AWX8704	Not used	Not used	Not used	

■ CONTRAST OF PCB ASSEMBLIES

A AUDIO IN ASSY

AWX9022, AWX9027 and AWX9088 are constructed the same except for the following :

Mark	Symbol and Description	AWX9022	AWX9027	AWX9088
	IC663	Not used	Not used	NJM78M12FA
	D671	Not used	Not used	RB501V-40
	C501, C502, C505-C510, C513-C518	CCSRCH101J50	Not used	Not used
	C521-C526, C541-C544, C549-C552	CCSRCH101J50	Not used	Not used
	C503, C504, C511, C512, C519, C520	CCSRCH221J50	Not used	Not used
	C527, C528, C531-C536, C539, C540	CCSRCH151J50	Not used	Not used
	C547, C548	CCSRCH151J50	Not used	Not used
	C678	Not used	Not used	CKSRYB103K50
	C679	Not used	Not used	CEAT100M50
	CN516 15P PLUG	XKP3067	Not used	Not used

C MAIN CONTROL ASSY

AWX9018, AWX9016 and AWX9017 are constructed the same except for the following :

Mark	Symbol and Description	AWX9018	AWX9016	AWX9017
	IC251	LC72725M	Not used	Not used
	Q103	Not used	Not used	DTA124EUA
	C251	CEAT100M50	Not used	Not used
	C253	CCSRCH561J50	Not used	Not used
	C254	CEAT101M10	Not used	Not used
	C255	CKSRYB102K50	Not used	Not used
	C256, C257	CCSRCH270J50	Not used	Not used
	C260	CKSRYB472K50	Not used	Not used
	R101	RS1/16S0R0J	RS1/16S0R0J	Not used
	R102, R383, R384	Not used	Not used	RS1/16S0R0J
	R103, R251	RS1/16S473J	Not used	Not used
	R104	RS1/16S183J	RS1/16S0R0J	RS1/16S0R0J
	R122	Not used	RS1/16S472J	RS1/16S472J
	R126, R127	Not used	RS1/16S101J	RS1/16S101J
	R223	Not used	Not used	RS1/16S103J
	R252-R254	RS1/16S102J	Not used	Not used
	R255	RS1/16S0R0J	Not used	Not used
	CN305 12P CONNECTOR	Not used	VKN1243	VKN1243
	X251 CRYSTAL RESONATOR (4.332 MHz)	ASS7004	Not used	Not used

H COMPOSITE ASSY

AWX9089 and AWX9090 are constructed the same except for the following :

Mark	Symbol and Description	AWX9089	AWX9090
	IC1002	Not used	CD74HC4051PW
	IC1151	Not used	M61545FP
	Q1151	Not used	IMX25
	D1006	Not used	DAN202U
	D1007	Not used	1SS355
	D1112	Not used	DAN217U
	C1003, C1004, C1164	Not used	CKSRYB103K50
	C1015	Not used	CEAT101M10
	C1023	Not used	CCSRCH181J50
	C1151-C1154	Not used	CEAT2R2M50
	C1155, C1156, C1161, C1162	Not used	CCSRCH101J50
	C1157, C1158	Not used	CCSRCH331J50
	C1159, C1163	Not used	CKSRYB104K50
	C1160	Not used	CEAT100M50
	R1005	Not used	RS1/16S750J
	R1151, R1152	Not used	RS1/16S104J

Mark	Symbol and Description	AWX9089	AWX9090
A	R1153, R1154	Not used	RS1/16S202J
	R1155, R1156	Not used	RS1/16S103J
	R1157, R1158	Not used	RS1/16S101J
	R1159, R1160, R1164	Not used	RS1/16S471J
	R1163	Not used	RS1/16S473J
	1004 PIN JACK (2P)	Not used	AKB7176
	1005 PIN JACK (2P)	Not used	AKB7181
JA1006 PIN JACK (1P)	AKB7175	Not used	

I S-VIDEO ASSY

AWX9099 and AWX9105 are constructed the same except for the following :

Mark	Symbol and Description	AWX9099	AWX9105
B	Q1351, Q1353	Not used	2SA1576A(RS)
	Q1352	Not used	RT1N241M
	D1351	Not used	UDZS5R1(B)
	L1351 CHIP SOLID INDUCTOR	Not used	ATL7002
	C1352	Not used	CKSRYB104K16
	C1353	Not used	CKSRYB103K50
	C1354	Not used	CKSRYB102K50
	C1355	Not used	CKSRYB472K50
	R1351, R1352	Not used	RS1/16S180J
	R1353, R1354	Not used	RS1/16S103J
C	R1355, R1356	Not used	RS1/16S472J
	JA1351 JACK	Not used	RKN1004
	KN1351 SCREW PLATE	Not used	VNE1948

K COMPONENT ASSY

AWX9031 and AWX9032 are constructed the same except for the following :

Mark	Symbol and Description	AWX9031	AWX9032
	C1501, C1502, C1521, C1522, C1541, C1542	CCSRCH101J50	Not used
	C1561, C1562	CCSRCH101J50	Not used
	C1507, C1508, C1527, C1528, C1569-C1572	CCSRCH271J50	Not used

L DISPLAY ASSY

AWX9104, AWX9042 and AWX9043 are constructed the same except for the following :

Mark	Symbol and Description	AWX9104	AWX9042	AWX9043
	IC2401	Not used	Not used	CD4053BNS
	Q2402	Not used	Not used	UMB1N
	Q2403	Not used	Not used	DTC124EUA
	Q2409	Not used	RT1N431M	Not used
	D2401	Not used	Not used	1SS355
E	D2402	Not used	Not used	DAN217U
	D2414	Not used	SLR-343BBT(HJKL)	Not used
	D2415	Not used	Not used	DAN202U
	C2402	Not used	Not used	CKSRYB153K50
	C2412	Not used	Not used	CKSRYB103K50
	R2407	Not used	Not used	RS1/16S223J
	R2408, R2410	Not used	Not used	RS1/16S103J
	R2409	Not used	Not used	RS1/16S392J
	R2414	RS1/16S0R0J	RS1/16S0R0J	Not used
	R2423	Not used	RS1/16S221J	Not used
F				

M VOLUME ASSY

AWX9044 and AWX9111 are different in part number, but construction is the same.

N MULTI JOG ASSY

AWX9046 and AWX9113 are different in part number, but construction is the same.

P FRONT-IN ASSY

AWX9048 and AWX9047 are constructed the same except for the following :

Mark	Symbol and Description	AWX9048	AWX9047
	L2752, L2753 CHIP FERRITE BEAD	VTL1169	Not used
	C2673	CKSRYB104K16	CKSRYB104K25
	C2753, C2756	CKSRYB104K16	Not used
	C2755	CEAT101M16	Not used
	C2757	CCSRCH471J50	Not used
	R2751, R2752	RS1/16S0R0J	Not used
	CN2652 CONNECTOR	B4B-PH-K-S	Not used
	JA2751 USB CONNECTOR	XKP3086	Not used

Q PRIMARY ASSY

AWX9086 and AWX9085 are constructed the same except for the following :

Mark	Symbol and Description	AWX9086	AWX9085
⚠	RY2001	ASR7013	ASR7022
⚠	T2001 STANDBY TRANSFORMER	ATT7040	ATT7043
⚠	R2001 (2.2 M, 1/2 W)	Not used	RCN1080
	R2002	RD1/4MUF101J	RD1/4MUF220J
⚠	AC2001 AC SOCKET 1P	Not used	AKP1033

S TRANS 2-1 ASSY

AWX9059 and AWX9058 are constructed the same except for the following :

Mark	Symbol and Description	AWX9059	AWX9058
	D3253	UDZS8R2(B)	UDZS10(B)
	D3254	UDZS7R5(B)	UDZS9R1(B)
	D3255	UDZS9R1(B)	UDZS10(B)
	D3256	UDZS8R2(B)	UDZS9R1(B)
	D3263	UDZS13(B)	UDZS10(B)
	D3264	UDZS15(B)	UDZS12(B)

W PS/SP ASSY

AWX9108 and AWX9054 are constructed the same except for the following :

Mark	Symbol and Description	AWX9108	AWX9054
	C3101, C3102	ACH7255	ACH7258
	CN3001 SPEAKER TERMINAL 8P	AKE7119	AKE7118
	CN3002 SPEAKER TERMINAL 6P	AKE7108	AKE7107

Z LOCAL P-SUPPLY ASSY

AWX9068 and AWX9065 are constructed the same except for the following :

Mark	Symbol and Description	AWX9068	AWX9065
⚠	IC3502 (1.6A)	AEK7012	Not used
⚠	Q3501	UMD2N	Not used
⚠	Q3502	2SD1763A(DE)	Not used
	Q3503	DTC124EUA	Not used
⚠	D3509, D3510	1SR154-400	Not used

Mark	Symbol and Description	AWX9068	AWX9065
A	D3511	UDZS27(B)	Not used
	C3510	CEANP102M16	Not used
	C3511	CEAT102M35	Not used
	C3512, C3514	CEAT100M50	Not used
	C3513	CKSRYB102K50	Not used
	C3515	CEANP470M25	Not used
	R3504	RS1/16S472J	Not used
	R3505	RS1/16S101J	Not used
	R3506	RS1/16S222J	Not used

AB IR I/O ASSY

AWX9067, AWX9101 and AWX9066 are constructed the same except for the following :

Mark	Symbol and Description	AWX9067	AWX9101	AWX9066
B	D3702	Not used	Not used	1SS355
	L3701, L3703 INDUCTOR	Not used	Not used	CTF1473
	L3702 CHIP SOLID INDUCTOR	Not used	Not used	QTL1013
	L3704 INDUCTOR	Not used	Not used	CTF1385
	C3758	Not used	Not used	CKSRYB103K50
	R3701	Not used	Not used	RS1/16S0R0J
	R3702	Not used	Not used	RS1/16S102J
	R3703	RS1/16S0R0J	RS1/16S0R0J	Not used
	R3755	RS1/16S0R0J	Not used	Not used
	JA3701 CONNECTOR	Not used	Not used	CKS4124
C	JA3702 JACK	Not used	Not used	RKN1004

AD POWER AMP-L ASSY

AWX9072 and AWX9071 are constructed the same except for the following :

Mark	Symbol and Description	AWX9072	AWX9071
	CN5005 CONNECTOR	B2B-PH-K-R	Not used

AE POSI 1-L ASSY

AWX9081 and AWX9080 are constructed the same except for the following :

Mark	Symbol and Description	AWX9081	AWX9080
	TH4501 POSISTOR	PTFM04BH222Q2N34B0	PTFM04BC222Q2N34B0

AG POWER AMP-R ASSY

AWX9073 and AWX9106 are constructed the same except for the following :

Mark	Symbol and Description	AWX9073	AWX9106
	5002 PCB BINDER	VEF1040	Not used

AH POSI 1-R ASSY

AWX9084 and AWX9083 are constructed the same except for the following :

Mark	Symbol and Description	AWX9084	AWX9083
	TH4503 POSISTOR	PTFM04BH222Q2N34B0	PTFM04BC222Q2N34B0

AJ POWER PROTECT ASSY

AWX9077 and AWX9076 are constructed the same except for the following :

Mark	Symbol and Description	AWX9077	AWX9076
	Q5703	RT1N241M	Not used
	Q5706	RT1P241M	Not used
	D5702	1SS355	Not used
	C5706	CKSRYB103K50	Not used
	R5704, R5709	Not used	RS1/16S0R0J
	R5705, R5708, R5746	RS1/16S0R0J	Not used
	R5706	RS1/16S822J	Not used
	R5718	RS1/16S104J	Not used
	CN5706 3 PIN CONNECTOR	S3B-EH	Not used

PCB PARTS LIST FOR VSX-1016V-K/HYXJ5 UNLESS OTHER WISE NOTED

Mark No.	Description	Part No.	Mark No.	Description	Part No.
MAIN ASSY (AWK7894)					
MISCELLANEOUS					
J	663 JUMPER WIRE	D20PDD0605E	CN526	(A,317,214) PIN JACK (4P)	AKB7172
			CN661	(A,26,62) CONNECTOR POST	S10B-PH
			664	(A,46,67) 6P CABLE HOLDER	51048-0600
			Y 661	AWG14 BOARD IN	ADX7511
			501	(A,150,71) PCB BINDER	VEF1040
			523	(A,317,123) PIN JACK (6P)	AKB7182

A AUDIO IN ASSY

MISCELLANEOUS

IC 501	(A,262,69) 8CH E-VOL	R2S15205FP
IC 701	(A,205,68) OP-AMP IC	BA4560RF
IC 702	(A,220,73) OP-AMP IC	BA4560RF
IC 703	(A,220,56) IC	TC4066BFT
IC 741	(A,177,68) OP-AMP IC	BA4560RF
IC 761	(A,191,68) OP-AMP IC	BA4560RF
IC 781	(A,163,68) OP-AMP IC	BA4560RF
IC 801	(A,264,170) OP-AMP IC	UPC4570G2
IC 821	(A,264,139) OP-AMP IC	UPC4570G2
IC 841	(A,264,155) OP-AMP IC	UPC4570G2
IC 861	(A,264,123) OP-AMP IC	UPC4570G2
Q 661	(A,136,78) TRANSISTOR	2SD1858X
Q 662	(A,136,90) TRANSISTOR	2SB1238X
Q 701	(A,224,50) TRANSISTOR	UMD2N
D 591	(B,231,52) DIODE	DAN217U
△D 661	(B,39,52) DIODE	1SR154-400
△D 662	(B,34,52) DIODE	1SR154-400
△D 663	(B,25,52) DIODE	1SR154-400
△D 664	(B,30,52) DIODE	1SR154-400
D 669	(B,127,75) DIODE	UDZS7R5(B)
D 670	(B,127,87) DIODE	UDZS7R5(B)
J 662	(A,85,59) 3P HOUSING WIRE ASSY	ADX7509
CN501	(A,258,24) 19P PLUG	XKP3069
CN506	(A,180,18) CONNECTOR	CKS3374
CN509	(A,234,48) 23P PLUG	XKP3071
CN510	(A,291,24) 13P PLUG	XKP3066
CN511	(A,131,47) B TO B CONNECTOR	BTEM20S-1S
CN513	(A,98,48) 23P PLUG	XKP3071
CN514	(A,220,24) 15P PLUG	XKP3067
CN516	(A,39,24) 15P PLUG	XKP3067
CN520	(A,282,208) 17P SOCKET	XKP3079
CN521	(A,317,60) PIN JACK (4P)	AKB7172
CN522	(A,317,88) PIN JACK (4P)	AKB7172
CN524	(A,317,158) PIN JACK (4P)	AKB7172
CN525	(A,317,186) PIN JACK (4P)	AKB7172

RESISTORS

R 501	(B,303,54)	RS1/16S331J
R 502	(B,302,43)	RS1/16S331J
R 503	(B,302,71)	RS1/16S222J
R 504	(B,302,64)	RS1/16S222J
R 505	(B,302,84)	RS1/16S331J
R 506	(B,302,77)	RS1/16S331J
R 507	(B,302,97)	RS1/16S331J
R 508	(B,302,90)	RS1/16S331J
R 509	(B,302,110)	RS1/16S331J
R 510	(B,302,103)	RS1/16S331J
R 511	(B,302,128)	RS1/16S222J
R 512	(B,302,118)	RS1/16S222J
R 513	(B,302,142)	RS1/16S331J
R 514	(B,302,135)	RS1/16S331J
R 515	(B,302,209)	RS1/16S331J
R 516	(B,302,202)	RS1/16S331J
R 517	(B,302,222)	RS1/16S331J
R 518	(B,302,216)	RS1/16S331J
R 519	(B,302,155)	RS1/16S222J
R 520	(B,302,148)	RS1/16S222J
R 521	(B,302,168)	RS1/16S331J
R 522	(B,302,161)	RS1/16S331J
R 523	(B,302,182)	RS1/16S331J
R 524	(B,302,176)	RS1/16S331J
R 525	(B,302,195)	RS1/16S331J
R 526	(B,302,189)	RS1/16S331J
R 527	(B,309,56)	RS1/16S474J
R 528	(B,309,51)	RS1/16S474J
R 529	(B,309,69)	RS1/16S474J
R 530	(B,309,64)	RS1/16S474J

	<u>Mark No.</u>	<u>Description</u>	<u>Part No.</u>	<u>Mark No.</u>	<u>Description</u>	<u>Part No.</u>
A	R 531	(B,309,84)	RS1/16S474J	R 731	(B,225,66)	RS1/16S101J
	R 532	(B,309,79)	RS1/16S474J	R 732	(B,214,66)	RS1/16S101J
	R 533	(B,309,97)	RS1/16S474J	R 733	(A,226,48)	RS1/16S473J
	R 534	(B,309,92)	RS1/16S474J	R 741	(A,175,61)	RS1/16S473J
	R 535	(B,309,110)	RS1/16S474J	R 742	(A,180,61)	RS1/16S473J
	R 536	(B,309,107)	RS1/16S474J	R 743	(B,176,60)	RS1/16S332J
	R 537	(B,309,128)	RS1/16S474J	R 744	(B,179,60)	RS1/16S332J
	R 538	(B,309,118)	RS1/16S474J	R 745	(B,174,60)	RS1/16S332J
	R 539	(B,309,140)	RS1/16S474J	R 746	(B,181,60)	RS1/16S682J
	R 540	(B,309,134)	RS1/16S474J	R 747	(B,174,64)	RS1/16S332J
B	R 541	(B,309,210)	RS1/16S474J	R 748	(B,181,64)	RS1/16S393J
	R 542	(B,309,205)	RS1/16S474J	R 749	(B,176,64)	RS1/16S332J
	R 543	(B,309,223)	RS1/16S474J	R 750	(B,179,64)	RS1/16S122J
	R 544	(B,309,218)	RS1/16S474J	R 751	(B,176,68)	RS1/16S182J
	R 545	(B,309,154)	RS1/16S474J	R 752	(B,179,68)	RS1/16S272J
	R 546	(B,309,149)	RS1/16S474J	R 753	(B,174,72)	RS1/16S0R0J
	R 547	(B,309,167)	RS1/16S474J	R 754	(B,181,72)	RS1/16S271J
	R 548	(B,309,162)	RS1/16S474J	R 757	(B,172,79)	RS1/16S101J
	R 549	(B,309,182)	RS1/16S474J	R 758	(B,183,79)	RS1/16S101J
	R 550	(B,309,177)	RS1/16S474J	R 761	(A,189,61)	RS1/16S473J
C	R 551	(B,309,195)	RS1/16S474J	R 762	(A,194,61)	RS1/16S473J
	R 552	(B,309,190)	RS1/16S474J	R 763	(B,190,60)	RS1/16S332J
	R 561	(A,246,87)	RS1/16S472J	R 764	(B,193,60)	RS1/16S332J
	R 562	(A,244,75)	RS1/16S472J	R 765	(B,188,60)	RS1/16S332J
	R 563	(A,244,58)	RS1/16S102J	R 766	(B,195,60)	RS1/16S332J
	R 564	(A,244,57)	RS1/16S102J	R 767	(B,188,64)	RS1/16S332J
	R 565	(B,268,42)	RS1/16S0R0J	R 768	(B,195,64)	RS1/16S332J
	R 566	(B,275,42)	RS1/16S0R0J	R 769	(B,190,64)	RS1/16S332J
	R 572	(B,234,53)	RS1/16S0R0J	R 770	(B,193,64)	RS1/16S332J
	R 602	(B,224,22)	RS1/16S0R0J	R 771	(B,190,68)	RS1/16S182J
	R 663	(B,133,76)	RS1/16S472J	R 772	(B,193,68)	RS1/16S182J
	R 664	(B,133,88)	RS1/16S472J	R 773	(B,188,72)	RS1/16S0R0J
	R 665	(B,133,72)	RS1/16S101J	R 774	(B,195,72)	RS1/16S0R0J
	R 666	(B,133,84)	RS1/16S101J	R 777	(B,186,79)	RS1/16S101J
	R 701	(A,203,61)	RS1/16S473J	R 778	(B,197,79)	RS1/16S101J
D	R 702	(A,208,61)	RS1/16S473J	R 781	(A,161,61)	RS1/16S473J
	R 703	(B,204,60)	RS1/16S392J	R 782	(A,166,61)	RS1/16S473J
	R 704	(B,207,60)	RS1/16S392J	R 783	(B,162,60)	RS1/16S332J
	R 705	(B,202,60)	RS1/16S392J	R 784	(B,165,60)	RS1/16S332J
	R 706	(B,209,60)	RS1/16S392J	R 785	(B,160,60)	RS1/16S332J
	R 707	(B,202,64)	RS1/16S392J	R 786	(B,167,60)	RS1/16S332J
	R 708	(B,209,64)	RS1/16S392J	R 787	(B,160,64)	RS1/16S332J
	R 709	(B,204,64)	RS1/16S392J	R 788	(B,167,64)	RS1/16S332J
	R 710	(B,207,64)	RS1/16S392J	R 789	(B,162,64)	RS1/16S332J
	R 711	(B,204,68)	RS1/16S332J	R 790	(B,165,64)	RS1/16S332J
E	R 712	(B,207,68)	RS1/16S332J	R 791	(B,162,68)	RS1/16S182J
	R 713	(B,202,72)	RS1/16S680J	R 792	(B,165,68)	RS1/16S182J
	R 714	(B,209,72)	RS1/16S680J	R 793	(B,160,72)	RS1/16S0R0J
	R 715	(B,204,72)	RS1/16S474J	R 794	(B,167,72)	RS1/16S0R0J
	R 716	(B,207,72)	RS1/16S474J	R 797	(B,158,79)	RS1/16S101J
	R 719	(B,223,80)	RS1/16S0R0J	R 798	(B,169,79)	RS1/16S101J
	R 720	(B,216,80)	RS1/16S0R0J	R 801	(B,262,165)	RS1/16S223J
	R 721	(B,223,77)	RS1/16S472J	R 802	(B,262,176)	RS1/16S223J
	R 722	(B,216,77)	RS1/16S472J	R 805	(A,266,165)	RS1/16S682J
	R 723	(A,226,70)	RS1/16S472J	R 806	(A,266,175)	RS1/16S682J
F	R 724	(A,213,70)	RS1/16S472J	R 807	(A,269,168)	RS1/16S271J
	R 725	(A,226,74)	RS1/16S122J	R 808	(A,269,173)	RS1/16S271J
	R 726	(A,213,74)	RS1/16S122J	R 811	(A,263,165)	RS1/16S153J
	R 727	(B,223,73)	RS1/16S392J	R 812	(A,263,175)	RS1/16S153J
	R 728	(B,216,73)	RS1/16S392J	R 815	(B,262,194)	RS1/16S104J

5		6		7		8	
Mark No.	Description	Part No.	Mark No.	Description	Part No.		
R 816	(B,262,186)	RS1/16S104J	C 526	(B,307,190)	CCSRCH101J50		
R 821	(B,262,134)	RS1/16S223J	C 527	(B,297,49)	CCSRCH151J50		
R 822	(B,262,144)	RS1/16S223J	C 528	(B,298,44)	CCSRCH151J50		
R 825	(A,266,134)	RS1/16S682J	C 531	(B,297,83)	CCSRCH151J50		A
R 826	(A,266,144)	RS1/16S682J	C 532	(B,298,79)	CCSRCH151J50		
R 827	(A,269,137)	RS1/16S271J	C 533	(B,297,96)	CCSRCH151J50		
R 828	(A,269,142)	RS1/16S271J	C 534	(B,298,92)	CCSRCH151J50		
R 831	(A,263,134)	RS1/16S153J	C 535	(B,297,109)	CCSRCH151J50		
R 832	(A,263,144)	RS1/16S153J	C 536	(B,298,105)	CCSRCH151J50		
R 835	(B,275,194)	RS1/16S104J	C 539	(B,297,141)	CCSRCH151J50		
R 836	(B,275,186)	RS1/16S104J	C 540	(B,298,137)	CCSRCH151J50		
R 841	(B,262,149)	RS1/16S223J	C 541	(B,297,209)	CCSRCH101J50		
R 842	(B,262,160)	RS1/16S223J	C 542	(B,298,203)	CCSRCH101J50		
R 845	(A,266,150)	RS1/16S682J	C 543	(B,300,222)	CCSRCH101J50		
R 846	(A,266,160)	RS1/16S682J	C 544	(B,300,216)	CCSRCH101J50		B
R 847	(A,269,152)	RS1/16S271J	C 547	(B,297,167)	CCSRCH151J50		
R 848	(A,269,157)	RS1/16S271J	C 548	(B,298,163)	CCSRCH151J50		
R 851	(A,263,150)	RS1/16S153J	C 549	(B,297,182)	CCSRCH101J50		
R 852	(A,263,160)	RS1/16S153J	C 550	(B,298,177)	CCSRCH101J50		
R 855	(B,269,194)	RS1/16S104J	C 551	(B,297,194)	CCSRCH101J50		
R 856	(B,269,186)	RS1/16S104J	C 552	(B,297,190)	CCSRCH101J50		
R 861	(B,262,118)	RS1/16S223J	C 553	(A,300,51) ELECT. CAPACITOR	CEAT470M25		
R 862	(B,262,129)	RS1/16S223J	C 554	(A,300,42) ELECT. CAPACITOR	CEAT470M25		
R 865	(A,266,118)	RS1/16S682J	C 555	(A,300,73)	CEAT100M50		
R 866	(A,266,128)	RS1/16S682J	C 556	(A,300,64)	CEAT100M50		C
R 867	(A,269,121)	RS1/16S271J	C 557	(A,300,86) ELECT. CAPACITOR	CEAT470M25		
R 868	(A,269,126)	RS1/16S271J	C 558	(A,300,77) ELECT. CAPACITOR	CEAT470M25		
R 871	(A,263,118)	RS1/16S153J	C 559	(A,300,99) ELECT. CAPACITOR	CEAT470M25		
R 872	(A,263,128)	RS1/16S153J	C 560	(A,300,90) ELECT. CAPACITOR	CEAT470M25		
R 875	(B,282,194)	RS1/16S104J	C 561	(A,300,112) ELECT. CAPACITOR	CEAT470M25		
R 876	(B,282,186)	RS1/16S104J	C 562	(A,300,103) ELECT. CAPACITOR	CEAT470M25		
R 883	(A,253,116)	RS1/16S0R0J	C 563	(A,300,131)	CEAT100M50		
			C 564	(A,300,120)	CEAT100M50		
			C 565	(A,300,144) ELECT. CAPACITOR	CEAT470M25		
			C 566	(A,300,135) ELECT. CAPACITOR	CEAT470M25		
			C 567	(A,300,210) ELECT. CAPACITOR	CEAT470M25		D
			C 568	(A,300,201) ELECT. CAPACITOR	CEAT470M25		
			C 569	(A,293,210) ELECT. CAPACITOR	CEAT470M25		
			C 570	(A,293,201) ELECT. CAPACITOR	CEAT470M25		
			C 571	(A,300,157)	CEAT100M50		
			C 572	(A,300,148)	CEAT100M50		
			C 573	(A,300,170) ELECT. CAPACITOR	CEAT470M25		
			C 574	(A,300,161) ELECT. CAPACITOR	CEAT470M25		
			C 575	(A,300,184) ELECT. CAPACITOR	CEAT470M25		
			C 576	(A,300,175) ELECT. CAPACITOR	CEAT470M25		
			C 577	(A,300,197) ELECT. CAPACITOR	CEAT470M25		E
			C 578	(A,300,188) ELECT. CAPACITOR	CEAT470M25		
			C 579	(A,270,87)	CEAT101M16		
			C 580	(A,268,95)	CEAT101M16		
			C 581	(A,264,87)	CEAT101M16		
			C 582	(A,262,95)	CEAT101M16		
			C 583	(A,258,87)	CEAT101M16		
			C 584	(A,256,95)	CEAT101M16		
			C 585	(A,252,87)	CEAT101M16		
			C 586	(A,250,95)	CEAT101M16		
			C 587	(A,247,84)	CKSBYB473K50		
			C 588	(A,246,84)	CKSBYB154K10		
			C 589	(A,244,84)	CKSBYB223K50		F
			C 590	(A,247,76)	CKSBYB473K50		
			C 591	(A,247,74)	CKSBYB154K10		

CAPACITORS

Mark No. Description**Part No.****Mark No. Description****Part No.**

C 592 (A,244,73)
C 593 (A,248,59)
C 594 (A,247,59)
C 595 (A,247,79)
C 596 (A,247,78)

CKSRYB223K50
CCSRCH101J50
CCSRCH101J50
CKSRYB103K50
CKSRYB103K50

C 771 (B,190,79)
C 772 (B,193,79)
C 773 (A,194,72)
C 774 (A,189,72)
C 781 (A,160,53)

CKSRYB472K50
CKSRYB472K50
CKSRYB103K50
CKSRYB103K50
CEAT2R2M50

C 599 (A,269,35)
C 600 (A,274,35)
C 641 (B,309,114)
C 642 (B,309,88)
C 643 (B,309,214)

CEJQ100M25
CEJQ100M25
CKSRYB103K50
CKSRYB103K50
CKSRYB103K50

C 782 (A,166,53)
C 783 (A,161,62)
C 784 (A,166,62)
C 785 (A,161,64)
C 786 (A,166,64)

CEAT2R2M50
CCSRCH101J50
CCSRCH101J50
CCSRCH331J50
CCSRCH331J50

C 644 (B,309,158)
C 645 (B,309,186)
C 661 (A,50,48) ELECT. CAPACITOR
C 662 (A,64,48) ELECT. CAPACITOR
C 673 (A,130,76)

CKSRYB103K50
CKSRYB103K50
CEAT222M25
CEAT222M25
CEAT2R2M50

C 787 (B,160,68)
C 788 (B,167,68)
C 789 (A,160,76)
C 790 (A,167,76)
C 791 (B,162,79)

CCSRCH331J50
CCSRCH331J50
CEAT100M50
CEAT100M50
CKSRYB472K50

C 674 (A,130,86)
C 675 (A,143,76)
C 676 (A,143,86)
C 701 (A,202,53)
C 702 (A,208,53)

CEAT2R2M50
CEAT100M50
CEAT100M50
CEAT2R2M50
CEAT2R2M50

C 792 (B,165,79)
C 793 (A,166,72)
C 794 (A,161,72)
C 801 (A,253,108)
C 802 (A,253,101)

CKSRYB472K50
CKSRYB103K50
CKSRYB103K50
CEAT4R7M50
CEAT4R7M50

C 703 (A,203,62)
C 704 (A,208,62)
C 705 (A,203,64)
C 706 (A,208,64)
C 707 (B,202,68)

CCSRCH471J50
CCSRCH471J50
CCSRCH331J50
CCSRCH331J50
CCSRCH331J50

C 805 (A,263,164)
C 806 (A,263,176)
C 807 (A,260,192) ELECT. CAPACITOR
C 808 (A,260,185) ELECT. CAPACITOR
C 809 (A,260,168)

CCSRCH101J50
CCSRCH101J50
CEAT470M25
CEAT470M25
CKSRYB103K50

C 708 (B,209,68)
C 709 (A,202,76)
C 710 (A,209,76)
C 713 (A,223,69)
C 714 (A,216,69)

CCSRCH331J50
CEAT100M50
CEAT100M50
CEAT100M50
CEAT100M50

C 810 (A,260,173)
C 821 (A,265,108)
C 822 (A,265,101)
C 825 (A,263,133)
C 826 (A,263,145)

CKSRYB103K50
CEAT4R7M50
CEAT4R7M50
CCSRCH101J50
CCSRCH101J50

C 717 (A,208,72)
C 718 (A,203,72)
C 719 (A,217,77)
C 720 (A,222,77)
C 721 (A,224,53)

CKSRYB103K50
CKSRYB103K50
CKSRYB104K50
CKSRYB104K50
CKSRYB103K50

C 827 (A,273,192) ELECT. CAPACITOR
C 828 (A,273,185) ELECT. CAPACITOR
C 829 (A,260,137)
C 830 (A,260,142)
C 841 (A,259,108)

CEAT470M25
CEAT470M25
CKSRYB103K50
CKSRYB103K50
CEAT4R7M50

C 722 (A,215,56)
C 741 (A,174,53)
C 742 (A,180,53)
C 743 (A,175,62)
C 744 (A,180,62)

CKSRYB103K50
CEAT2R2M50
CEAT2R2M50
CCSRCH101J50
CKSRYB223K50

C 842 (A,259,101)
C 845 (A,263,148)
C 846 (A,263,161)
C 847 (A,266,192) ELECT. CAPACITOR
C 848 (A,266,185) ELECT. CAPACITOR

CEAT4R7M50
CCSRCH101J50
CCSRCH101J50
CEAT470M25
CEAT470M25

C 745 (A,175,64)
C 746 (A,180,64)
C 747 (B,174,68)
C 748 (B,181,68)
C 749 (A,174,76)

CCSRCH331J50
CKSRYB103K50
CCSRCH331J50
CKSRYB562K50
CEAT100M50

C 849 (A,260,152)
C 850 (A,260,157)
C 861 (A,271,108)
C 862 (A,271,101)
C 865 (A,263,117)

CKSRYB103K50
CKSRYB103K50
CEAT4R7M50
CEAT4R7M50
CCSRCH101J50

C 750 (A,181,76)
C 751 (B,176,79)
C 752 (B,179,79)
C 753 (A,180,72)
C 754 (A,175,72)

CEAT100M50
CKSRYB472K50
CKSRYB472K50
CKSRYB103K50
CKSRYB103K50

C 866 (A,263,129)
C 867 (A,279,192) ELECT. CAPACITOR
C 868 (A,279,185) ELECT. CAPACITOR
C 869 (A,260,121)
C 870 (A,260,126)

CCSRCH101J50
CEAT470M25
CEAT470M25
CKSRYB103K50
CKSRYB103K50

C 761 (A,188,53)
C 762 (A,194,53)
C 763 (A,189,62)
C 764 (A,194,62)
C 765 (A,189,64)

CEAT2R2M50
CEAT2R2M50
CCSRCH101J50
CCSRCH101J50
CCSRCH331J50

B 12V-REG ASSY MISCELLANEOUS

IC 661 (A,12,90) REGULATOR IC
IC 662 (A,39,90) REGULATOR IC
D 665 (B,28,90) CHIP DIODE
D 666 (B,56,88) CHIP DIODE
663 (A,46,77) 6P CABLE HOLDER

NJM78M12FA
NJM79M12FA
RB501V-40
RB501V-40
51048-0600

C 766 (A,194,64)
C 767 (B,188,68)
C 768 (B,195,68)
C 769 (A,188,76)
C 770 (A,195,76)

CCSRCH331J50
CCSRCH331J50
CCSRCH331J50
CEAT100M50
CEAT100M50

Mark No.	Description	Part No.	Mark No.	Description	Part No.
CAPACITORS			CN101	(A,208,215) CONNECTOR	CKS3394
C 667	(B,11,86)	CKSRYB103K50	CN102	(A,223,129) 9P JUMPER CONNECTOR	52147-0910
C 668	(B,39,86)	CKSRYB103K50	CN103	(A,197,187) CONNECTOR	CKS3384
C 669	(A,25,92)	CEAT221M25	CN104	(A,60,177) 11P PLUG	XKP3065
C 670	(A,52,92)	CEAT221M25	CN105	(A,140,150) CONNECTOR	CKS3375
C MAIN CONTROL ASSY			CN106	(A,94,212) 23P SOCKET	XKP3082
MISCELLANEOUS			CN107	(A,31,177) 13P PLUG	XKP3066
IC 101	(A,160,173) CPU	PEG244A	CN108	(A,29,153) 13P PLUG	XKP3066
IC 102	(A,127,155) EEPROM	BR24L16FV-W	CN109	(A,55,153) 11P PLUG	XKP3065
IC 105	(A,113,150) LOGIC IC	CD4094BPW	CN110	(A,56,130) 11P PLUG	XKP3065
IC 106	(A,113,160) LOGIC IC	CD4094BPW	CN111	(A,28,130) 13P PLUG	XKP3066
IC 107	(A,152,150) RESET IC	BU4842F	CN112	(A,64,102) 23P SOCKET	XKP3082
IC 251	(A,141,199) RDS DECODER IC	LC72725M	CN113	(A,100,180) CONNECTOR	CKS3382
Q 102	(B,175,204) TRANSISTOR	DTC143TK	CN281	(A,33,209) 23P PLUG	XKP3071
Q 104	(B,177,199) CHIP DIGITAL TRANS.	DTA124EUA	CN301	(A,170,98) B TO B CONNECTOR	BTEM20P-1R
Q 105	(B,180,199) CHIP DIGITAL TRANS.	DTA124EUA	CN302	(A,199,102) 23P SOCKET	XKP3082
Q 106	(B,176,192) CHIP DIGITAL TRANS.	DTA124EUA	CN306	(A,110,212) 9P SOCKET	XKP3075
Q 107	(B,182,205) TRANSISTOR	DTA124TK	102	(A,219,163) PCB BINDER	VEF1040
Q 108	(B,179,192) CHIP DIGITAL TRANS.	DTA124EUA	101	(A,218,171) PCB BINDER	VEF1040
Q 109	(B,181,169) CHIP DIGITAL TRANS.	DTA124EUA	RESISTORS		
Q 110	(B,187,167) TRANSISTOR	UMD2N	R 101	(B,155,175)	RS1/16S0R0J
Q 114	(B,154,193) CHIP TR (PNP X 2)	UMB1N	R 103	(B,153,175)	RS1/16S473J
Q 115	(B,168,187) CHIP TR (PNP X 2)	UMB1N	R 104	(B,151,175)	RS1/16S183J
Q 116	(B,173,187) CHIP TR (PNP X 2)	UMB1N	R 106	(A,172,152)	RS1/16S104J
D 101	(B,208,170) DIODE	1SS355	R 107	(B,152,165)	RS1/16S104J
D 102	(B,205,168) DIODE	DAN202U	R 108	(B,154,165)	RS1/16S512J
D 103	(B,205,149) DIODE	DAN202U	R 109	(A,148,158)	RS1/16S101J
D 106	(A,181,160) DIODE	1SS355	R 110	(A,150,158)	RS1/16S0R0J
D 108	(A,183,176) DIODE	DAP202U	R 111	(A,152,158)	RS1/16S101J
D 109	(A,188,168) DIODE	DAN217U	R 112	(B,147,165)	RS1/16S101J
D 110	(A,185,180) DIODE	DAP202U	R 113	(B,149,165)	RS1/16S101J
D 111	(A,179,198) DIODE	DAN202U	R 114	(A,156,157)	RS1/16S0R0J
D 112	(A,179,190) DIODE	DAN202U	R 115	(A,163,157)	RS1/16S104J
D 116	(B,174,158) DIODE	1SS355	R 116	(A,167,158)	RS1/16S471J
D 117	(B,174,153) DIODE	1SS355	R 117	(A,171,152)	RS1/16S104J
D 118	(B,159,182) DIODE	1SS355	R 118	(A,169,158)	RS1/16S471J
D 119	(B,138,169) DIODE	UDZS5R1(B)	R 119	(A,170,158)	RS1/16S471J
D 291	(A,29,141) DIODE	1SS355	R 120	(A,172,158)	RS1/16S471J
L 101	(B,203,204) CHIP SOLID INDUCTOR	ATL7002	R 123	(A,143,159)	RS1/16S101J
L 102	(B,216,135) CHIP SOLID INDUCTOR	ATL7002	R 124	(A,143,165)	RS1/16S101J
L 103	(B,205,154) CHIP SOLID INDUCTOR	ATL7002	R 125	(A,145,159)	RS1/16S101J
L 281	(B,29,204) CHIP SOLID INDUCTOR	QTL1013	R 128	(A,176,176)	RS1/16S0R0J
L 282	(B,66,159) CHIP SOLID INDUCTOR	QTL1013	R 129	(A,180,177)	RS1/16S105J
L 291	(B,15,135) CHIP SOLID INDUCTOR	QTL1013	R 130	(A,182,179)	RS1/16S103J
L 292	(B,21,137) CHIP SOLID INDUCTOR	QTL1013	R 131	(A,179,177)	RS1/16S105J
L 293	(B,22,118) CHIP SOLID INDUCTOR	QTL1013	R 132	(A,176,182)	RS1/16S105J
L 294	(B,18,118) CHIP SOLID INDUCTOR	QTL1013	R 133	(A,176,174)	RS1/16S104J
L 295	(B,24,148) CHIP SOLID INDUCTOR	QTL1013	R 134	(A,176,178)	RS1/16S104J
JA281	(A,17,170) OPT. LINK IN	AKS7001	R 135	(A,173,187)	RS1/16S0R0J
JA282	(A,17,183) OPT. LINK IN	AKS7001	R 136	(A,171,187)	RS1/16S0R0J
JA283	(A,17,197) OPT. LINK IN	AKS7001	R 137	(A,168,187)	RS1/16S0R0J
JA284	(A,17,210) OPT. LINK OUT	AKS7002	R 138	(A,166,187)	RS1/16S0R0J
JA291	(A,9,131) MINI JACK (4P) W/ SW	XKN3015	R 142	(A,141,180)	RS1/16S0R0J
JA292	(A,11,143) JACK	RKN1004	R 143	(A,142,178)	RS1/16S0R0J
KN281	(A,13,153) SCREW PLATE	VNE1948	R 144	(A,141,177)	RS1/16S0R0J
X 101	(A,159,157) CERAMIC RESONATOR	XSS3004			
X 251	(A,138,207) CRYSTAL RESONATOR	ASS7004			

Mark No. Description**Part No.****Mark No. Description****Part No.**

R 145 (A,141,175)
R 146 (A,145,169)
R 147 (A,152,153)
R 150 (A,127,162)
R 151 (A,129,162)

RS1/16S0R0J
RS1/16S473J
RS1/16S104J
RS1/16S471J
RS1/16S471J

R 152 (A,127,165)
R 153 (A,129,165)
R 155 (A,183,161)
R 156 (A,177,164)
R 157 (A,179,164)

RS1/16S103J
RS1/16S472J
RS1/16S182J
RS1/16S101J
RS1/16S101J

R 162 (B,166,201)
R 170 (B,155,182)
R 171 (B,176,155)
R 172 (B,131,170)
R 174 (A,218,202)

RS1/16S470J
RS1/16S105J
RS1/16S0R0J
RS1/16S223J
RS1/16S331J

R 175 (A,220,202)
R 176 (A,218,196)
R 181 (B,183,109)
R 183 (B,185,109)
R 184 (B,186,113)

RS1/16S331J
RS1/16S471J
RS1/16S0R0J
RS1/16S0R0J
RS1/16S0R0J

R 185 (B,188,109)
R 186 (B,189,113)
R 187 (B,190,109)
R 188 (B,191,113)
R 190 (B,194,113)

RS1/16S0R0J
RS1/16S0R0J
RS1/16S0R0J
RS1/16S221J
RS1/16S221J

R 191 (B,202,113)
R 192 (B,201,109)
R 193 (B,199,113)
R 194 (B,180,109)
R 195 (B,171,113)

RS1/16S0R0J
RS1/16S221J
RS1/16S0R0J
RS1/16S0R0J
RS1/16S0R0J

R 196 (B,170,109)
R 197 (B,96,108)
R 198 (B,98,108)
R 199 (B,203,198) CHIP RESISTOR
R 200 (A,105,150)

RS1/16S0R0J
RS1/16S0R0J
RS1/16S0R0J
RS1/16S2R7J
RS1/16S473J

R 201 (A,123,147)
R 202 (A,123,149)
R 203 (B,199,148)
R 204 (A,123,152)
R 205 (A,103,157)

RS1/16S473J
RS1/16S473J
RS1/16S473J
RS1/16S473J
RS1/16S473J

R 206 (A,103,158)
R 207 (A,103,160)
R 208 (A,103,161)
R 209 (A,121,159)
R 221 (A,174,197)

RS1/16S473J
RS1/16S473J
RS1/16S473J
RS1/16S473J
RS1/16S222J

R 222 (A,174,198)
R 251 (A,148,203)
R 252 (A,133,200)
R 253 (A,133,194)
R 254 (A,133,197)

RS1/16S472J
RS1/16S473J
RS1/16S102J
RS1/16S102J
RS1/16S102J

R 255 (B,152,209)
R 256 (B,49,200)
R 257 (B,51,200)
R 258 (B,53,200)
R 259 (B,55,200)

RS1/16S0R0J
RS1/16S471J
RS1/16S471J
RS1/16S471J
RS1/16S471J

R 281 (B,21,168)
R 282 (B,21,184)
R 283 (B,21,198)
R 385 (B,97,102)

RS1/16S101J
RS1/16S101J
RS1/16S101J
RS1/16S0R0J

CAPACITORS

C 101 (B,207,158)
C 103 (B,202,159)
C 104 (A,166,147)
C 105 (A,160,160)
C 107 (A,157,160)

CKSRYB103K50
CKSRYB103K50
CEAT331M10
CKSRYB103K50
CKSRYB105K10

C 110 (A,164,157)
C 112 (A,124,156)
C 113 (A,167,205) ELECT. CAPACITOR
C 117 (B,172,154)
C 118 (B,157,182)

CKSRYB102K50
CKSRYB103K50
CEAT102M6R3
CKSRYB473K16
CKSRYB473K16

C 119 (A,135,168)
C 120 (A,150,151)
C 122 (A,113,155)
C 123 (A,113,165)
C 125 (A,205,157)

CEAT100M50
CKSRYB105K10
CKSRYB104K16
CKSRYB104K16
CEAT101M10

C 251 (A,140,191)
C 253 (B,148,194)
C 254 (A,151,213)
C 255 (A,148,200)
C 256 (B,146,207)

CEAT100M50
CCSRCH561J50
CEAT101M10
CKSRYB102K50
CCSRCH270J50

C 257 (B,135,207)
C 260 (A,135,194)
C 281 (B,21,174)
C 282 (B,21,188)
C 283 (B,21,202)

CCSRCH270J50
CKSRYB472K50
CKSRYB104K16
CKSRYB104K16
CKSRYB104K16

C 284 (B,21,211)
C 285 (A,29,212)
C 286 (B,24,167)
C 287 (B,26,167)
C 294 (B,26,162)

CKSRYB104K16
CEAT101M10
CKSRYB103K50
CCSRCH471J50
CKSRYB104K16

D GUARD-C ASSY

GUARD-C ASSY has no service part.

**E GUARD-F ASSY
MISCELLANEOUS**

921 (A,245,238) PCB BINDER

VEF1040

**F GUARD-R ASSY
MISCELLANEOUS**

923 (A,38,240) PCB BINDER

VEF1040

**G DSP ASSY (AWX8572)
MISCELLANEOUS**

IC 501 (B,118,52) IC
IC 601 (A,107,50) DA I/F TRANCEIVER
IC 701 (A,75,43) CODEC IC
IC 801 (A,42,53) DSP IC
IC 802 (A,44,38) IC

TC74HCU04AF
AK4114VQ
AK4628AVQ
DSPC56371AF180
TC7WU04FU

IC 851 (A,55,39) FLASH ROM IC
IC 871 (B,63,53) IC
⚠ IC 901 (B,120,30) IC
⚠ IC 902 (B,94,36) REGULATOR IC
IC 952 (B,19,48) OCTAL BUS BUFFER IC

PDC145A8
TC7VH125FU
NJM2391DL1-33
LM1117DT-ADJ
TC74VHCT244AFTS1

5		6		7		8	
Mark No.	Description	Part No.	Mark No.	Description	Part No.		
Q 801	(B,39,43) TRANSISTOR	UN5212	R 575	(B,74,56)	RS1/16S0R0J		
D 701	(A,79,33) DIODE	DAP202K	R 577	(B,93,61)	RS1/16S104J		
D 702	(B,80,32) DIODE	DAN202K	R 579	(A,96,58)	RS1/16S0R0J		A
D 901	(B,116,38) DIODE	UDZS5R6(B)	R 601	(A,110,57)	RS1/16S0R0J		
D 902	(B,102,33) DIODE	UDZS5R6(B)	R 602	(A,109,57)	RS1/16S0R0J		
L 501	(B,127,29) CHIP SOLID INDUCTOR	QTL1013	R 603	(A,107,57)	RS1/16S0R0J		
L 502	(B,130,40) CHIP SOLID INDUCTOR	QTL1013	R 604	(B,111,63)	RS1/16S104J		
L 503	(A,122,62) CHIP SOLID INDUCTOR	QTL1013	R 605	(B,109,63)	RS1/16S104J		
L 601	(B,103,62) CHIP SOLID INDUCTOR	QTL1013	R 606	(B,107,63)	RS1/16S104J		
L 602	(A,98,49) CHIP SOLID INDUCTOR	QTL1013	R 607	(A,106,57)	RS1/16S0R0J		
L 605	(A,117,43) CHIP SOLID INDUCTOR	QTL1013	R 609	(A,99,57)	RS1/16S0R0J		
L 701	(B,66,43) CHIP SOLID INDUCTOR	QTL1013	R 610	(B,101,62)	RS1/16S0R0J		
L 702	(A,94,38) CHIP SOLID INDUCTOR	QTL1013	R 612	(A,96,47)	RS1/16S0R0J		
L 801	(A,47,38) CHIP SOLID INDUCTOR	QTL1013	R 613	(A,99,52)	RS1/16S101J		
L 802	(A,50,42) CHIP SOLID INDUCTOR	ATL7002	R 614	(A,97,58)	RS1/16S101J		B
L 803	(A,58,52) CHIP SOLID INDUCTOR	ATL7002	R 615	(A,99,47)	RS1/16S470J		
L 804	(B,35,48) CHIP SOLID INDUCTOR	QTL1013	R 616	(A,99,46)	RS1/16S101J		
L 851	(A,51,42) CHIP SOLID INDUCTOR	QTL1013	R 617	(A,99,44)	RS1/16S101J		
L 871	(B,68,56) CHIP SOLID INDUCTOR	QTL1013	R 618	(A,99,43)	RS1/16S101J		
L 901	(B,105,32) CHIP SOLID INDUCTOR	ATL7002	R 620	(A,99,41)	RS1/16S470J		
L 902	(B,100,33) CHIP SOLID INDUCTOR	ATL7002	R 622	(A,111,42)	RS1/16S0R0J		
L 952	(B,25,56) CHIP SOLID INDUCTOR	QTL1013	R 623	(A,114,42)	RS1/16S0R0J		
JA501	(A,140,35) JACK	AKB7131	R 624	(A,114,43)	RS1/16S101J		
X 601	(A,106,39) CRYSTAL (12.288M)	ASS7046	R 625	(A,114,44)	RS1/16S101J		
X 801	(A,36,36) CRYSTAL (20M)	VSS1171	R 626	(A,114,46)	RS1/16S101J		
CN601	(A,100,63) 10P CONNECTOR	VKN1414	R 627	(A,113,40)	RS1/16S103J		C
CN701	(A,81,28) 19P SOCKET	XKP3080	R 628	(A,115,51)	RS1/16S1802F		
CN902	(A,114,28) 13P SOCKET	XKP3077	R 629	(A,115,53)	RS1/16S0R0J		
CN952	(A,43,28) 15P SOCKET	XKP3078	R 630	(A,115,57)	RS1/16S0R0J		
			R 701	(B,76,49)	RS1/16S470J		
			R 702	(B,72,49)	RS1/16S101J		
			R 703	(B,62,40)	RS1/16S0R0J		
			R 704	(B,68,41)	RS1/16S4R7J		
			R 705	(A,58,32)	RS1/16S101J		
			R 706	(A,61,32)	RS1/16S101J		
			R 707	(A,63,32)	RS1/16S101J		D
			R 708	(A,66,32)	RS1/16S101J		
			R 709	(A,68,32)	RS1/16S101J		
			R 710	(A,71,32)	RS1/16S101J		
			R 711	(A,73,32)	RS1/16S101J		
			R 712	(A,76,32)	RS1/16S101J		
			R 713	(A,84,44)	RS1/16S470J		
			R 714	(A,84,49)	RS1/16S101J		
			R 715	(A,85,50)	RS1/16S101J		
			R 716	(A,82,51)	RS1/16S101J		
			R 801	(A,54,63)	RS1/16S470J		E
			R 802	(A,45,64)	RAB4C101J		
			R 803	(B,50,62)	RS1/16S103J		
			R 804	(B,48,62)	RS1/16S103J		
			R 805	(B,46,62)	RS1/16S103J		
			R 806	(B,44,62)	RS1/16S103J		
			R 807	(B,42,56)	RS1/16S473J		
			R 808	(B,35,56)	RS1/16S472J		
			R 809	(B,40,56)	RS1/16S472J		
			R 810	(A,31,52)	RS1/16S473J		
			R 811	(B,30,51)	RS1/16S472J		
			R 812	(B,32,51)	RS1/16S101J		
			R 813	(A,27,49)	RS1/16S103J		F
			R 815	(A,38,40)	RS1/16S105J		
			R 816	(A,35,40)	RS1/16S471J		

RESISTORS

R 501	(B,129,29)	RS1/16S750J
R 502	(B,127,42)	RS1/16S750J
R 503	(B,123,42)	RS1/16S473J
R 504	(A,117,62)	RS1/16S473J
R 505	(A,115,62)	RS1/16S0R0J
R 506	(B,123,38)	RS1/16S222J
R 507	(A,118,62)	RS1/16S222J
R 508	(B,121,42)	RS1/16S101J
R 509	(B,117,62)	RS1/16S101J
R 512	(B,121,62)	RS1/16S101J
R 513	(B,123,62)	RS1/16S101J
R 551	(B,63,60)	RS1/16S104J
R 552	(B,65,60)	RS1/16S104J
R 553	(B,67,60)	RS1/16S104J
R 554	(B,69,60)	RS1/16S104J
R 555	(B,71,60)	RS1/16S104J
R 556	(B,75,60)	RS1/16S104J
R 557	(B,77,60)	RS1/16S104J
R 558	(B,79,60)	RS1/16S104J
R 559	(B,81,62)	RS1/16S104J
R 560	(B,83,62)	RS1/16S104J
R 561	(B,85,62)	RS1/16S104J
R 572	(A,90,54)	RS1/16S0R0J
R 573	(B,90,54)	RS1/16S0R0J
R 574	(B,76,56)	RS1/16S0R0J

Mark No.	Description	Part No.	Mark No.	Description	Part No.
R 817	(A,44,42)	RS1/16S101J	C 512	(B,127,52)	CKSRYB105K6R3
R 819	(B,38,49)	RS1/16S101J	C 513	(A,121,56)	CEVW101M16
R 821	(B,37,43)	RS1/16S0R0J	C 605	(A,99,55)	CCSRCH471J50
R 822	(B,42,44)	RS1/16S103J	C 606	(A,100,55)	CKSRYB104K16
R 823	(B,43,50)	RS1/16S473J	C 607	(A,94,53)	CEVW470M6R3
R 827	(B,51,51)	RS1/16S470J	C 608	(A,99,49)	CCSRCH471J50
R 828	(A,54,44)	RS1/16S470J	C 609	(A,100,49)	CKSRYB104K16
R 829	(A,56,48)	RS1/16S470J	C 612	(A,103,42)	CCSRCH120J50
R 830	(A,57,48)	RS1/16S470J	C 613	(A,107,42)	CCSRCH120J50
R 832	(A,53,54)	RS1/16S470J	C 614	(B,111,41)	CKSRYB104K16
R 833	(A,57,57)	RS1/16S470J	C 617	(B,117,42)	CKSRYB102K50
R 834	(A,57,58)	RS1/16S470J	C 618	(A,121,45)	CEVW470M6R3
R 835	(A,57,60)	RS1/16S470J	C 619	(A,116,48)	CKSRYB104K16
R 836	(A,57,61)	RS1/16S470J	C 620	(A,114,48)	CCSRCH471J50
R 840	(A,23,49)	RS1/16S101J	C 621	(A,114,51)	CKSRYB474K10
R 841	(A,63,46)	RS1/16S473J	C 701	(A,65,47)	CKSRYB103K50
R 851	(A,53,45)	RS1/16S470J	C 702	(A,66,47)	CCSRCH471J50
R 852	(B,53,45)	RS1/16S222J	C 703	(A,62,38)	CEVW101M16
R 853	(A,56,34)	RS1/16S0R0J	C 704	(A,65,44)	CKSRYB104K16
R 855	(B,53,41)	RS1/16S103J	C 705	(A,66,44)	CCSRCH101J50
R 856	(A,57,45)	RS1/16S103J	C 706	(B,64,40)	CKSRYB104K16
R 857	(B,55,44)	RS1/16S103J	C 707	(B,58,33)	CCSRCH471J50
R 871	(B,58,48)	RS1/16S470J	C 708	(B,61,33)	CCSRCH471J50
R 872	(B,60,48)	RS1/16S470J	C 709	(B,63,33)	CCSRCH471J50
R 873	(B,60,56)	RS1/16S470J	C 710	(B,66,33)	CCSRCH471J50
R 874	(B,58,56)	RS1/16S470J	C 711	(B,68,33)	CCSRCH471J50
R 904	(B,113,31)	RS1/16S104J	C 712	(B,71,33)	CCSRCH471J50
R 905	(B,111,33)	RS1/16S104J	C 713	(B,73,33)	CCSRCH471J50
R 906	(B,107,31)	RS1/16S104J	C 714	(B,76,33)	CCSRCH471J50
R 908	(A,121,27)	RS1/16S0R0J	C 715	(A,88,42)	CEVW101M16
R 913	(A,85,30)	RS1/16S0R0J	C 716	(A,84,41)	CKSRYB104K16
R 915	(B,89,37)	RS1/16S102J	C 717	(A,83,41)	CCSRCH471J50
R 951	(A,26,49)	RS1/16S101J	C 718	(A,85,33)	CEVW470M6R3
R 952	(A,25,49)	RS1/16S101J	C 720	(A,83,38)	CKSRYB104K16
R 953	(A,22,49)	RS1/16S101J	C 801	(A,49,63)	CCSRCH471J50
R 954	(B,22,39)	RS1/16S331J	C 802	(A,49,64)	CKSRYB104K16
R 955	(B,20,39)	RS1/16S331J	C 803	(A,42,63)	CCSRCH471J50
R 956	(B,18,39)	RS1/16S331J	C 804	(A,42,64)	CKSRYB104K16
R 957	(B,16,39)	RS1/16S331J	C 805	(A,37,63)	CCSRCH471J50
R 958	(A,17,44)	RS1/16S331J	C 806	(A,37,64)	CKSRYB104K16
R 959	(A,18,44)	RS1/16S331J	C 807	(A,32,58)	CCSRCH471J50
R 960	(A,19,45)	RS1/16S331J	C 808	(A,31,58)	CKSRYB104K16
R 961	(A,21,45)	RS1/16S331J	C 809	(A,32,55)	CCSRCH471J50
R 962	(A,20,31) RESISTOR ARRAY	RAB4C104J	C 810	(A,31,55)	CKSRYB104K16
R 967	(A,29,32)	RS1/16S104J	C 814	(A,32,47)	CCSRCH471J50
R 968	(A,31,32)	RS1/16S104J	C 815	(A,31,47)	CKSRYB104K16
R 969	(A,33,32)	RS1/16S104J	C 816	(A,32,40)	CCSRCH8R0D50
R 970	(A,37,32) RESISTOR ARRAY	RAB4C104J	C 817	(A,41,40)	CCSRCH8R0D50
R 974	(A,42,32)	RS1/16S0R0J	C 818	(A,46,34)	CCSRCH471J50
R 975	(A,15,52)	RS1/16S101J	C 819	(A,46,33)	CKSRYB104K16
R 976	(A,16,52)	RS1/16S101J	C 820	(A,46,31)	CKSRYB103K50
R 983	(B,15,32)	RS1/16S0R0J	C 821	(A,35,43)	CCSRCH471J50
			C 822	(A,35,42)	CKSRYB104K16
			C 823	(A,37,43)	CCSRCH471J50
			C 824	(A,37,42)	CKSRYB104K16
CAPACITORS					
C 503	(B,125,29)	CKSRYB103K50			
C 504	(B,125,42)	CKSRYB103K50	C 825	(B,38,52)	CKSRYB103K50
C 505	(B,125,38)	CCSRCH470J50	C 826	(A,44,44)	CCSRCH471J50
C 506	(A,121,62)	CCSRCH470J50	C 827	(A,41,44)	CKSRYB104K16
C 511	(B,125,52)	CCSRCH471J50	C 828	(A,53,48)	CCSRCH471J50
			C 829	(A,54,48)	CKSRYB104K16

5		6		7		8	
Mark No.	Description	Part No.	Mark No.	Description	Part No.		
C 830	(A,53,52)	CCSRCH471J50	L 901	(B,105,19) CHIP SOLID INDUCTOR	ATL7002		
C 831	(A,54,52)	CKSRYP104K16	L 902	(B,100,19) CHIP SOLID INDUCTOR	ATL7002		
C 832	(A,53,57)	CCSRCH471J50	L 951	(A,53,54) CHIP SOLID INDUCTOR	QTL1013		
C 833	(A,54,57)	CKSRYP104K16	L 952	(B,24,43) CHIP SOLID INDUCTOR	QTL1013		A
C 834	(A,52,28)	CEVW101M16	L 953	(A,64,53) CHIP SOLID INDUCTOR	QTL1013		
C 835	(A,63,52)	CEVW101M16	JA501	(A,140,22) PIN JACK (2P)	AKB7173		
C 851	(A,51,38)	CCSRCH471J50	X 401	(A,68,57) CRYSTAL (45.1584M)	ASS7065		
C 852	(A,50,38)	CKSRYP104K16	X 601	(A,106,25) CRYSTAL (12 288M)	ASS7046		
C 871	(B,66,52)	CCSRCH471J50	X 801	(A,25,22) CRYSTAL (20M)	VSS1171		
C 872	(B,68,52)	CKSRYP104K16	CN401	(A,141,41) 4P SOCKET	AKP7201		
C 907	(B,114,38)	CKSRYP104K16	CN601	(A,100,49) 10P CONNECTOR	VKN1414		
C 908	(A,121,37)	CEVW101M16	CN701	(A,81,14) 19P SOCKET	XKP3080		
C 909	(A,96,34)	CEVW101M16	CN901	(A,114,14) 13P SOCKET	XKP3077		
C 916	(B,67,47)	CCSRCH471J50	CN951	(A,43,14) 15P SOCKET	XKP3078		
C 917	(B,69,47)	CKSRYP103K50	CN952	(A,25,59) 12P CONNECTOR	VKN1416		B
C 918	(B,79,49)	CKSRYP104K16					
C 919	(B,80,49)	CCSRCH471J50					
C 954	(B,26,52)	CCSRCH471J50					
C 955	(B,28,52)	CKSRYP104K16					
C 956	(A,24,54)	CEVW100M16					
G DSP ASSY (AWX8699)			RESISTORS				
MISCELLANEOUS			R 404	(B,110,58)	RS1/16S101J		
IC 401	(A,80,54) XM/DT IC	F2602E-01	R 405	(B,104,57)	RS1/16S102J		
IC 402	(A,116,59) LOAD SWITCHING	AAT4618IGV-0.5-1	R 406	(B,110,54)	RS1/16S101J		
IC 551	(A,82,42) IC	TC74VHC157FST1	R 407	(B,108,57)	RS1/16S102J		
IC 601	(A,107,36) DA I/F TRANCEIVER	AK4114VQ	R 410	(A,72,58)	RS1/16S471J		
IC 701	(A,75,29) CODEC IC	AK4628AVQ	R 411	(A,72,56)	RS1/16S105J		
IC 801	(A,37,39) DSP IC	DSPC56371AF180	R 414	(B,83,49)	RS1/16S104J		
IC 802	(A,33,24) IC	TC7WU04FU	R 415	(B,86,48)	RS1/16S104J		
IC 851	(A,48,17) FLASH ROM IC	PDC145A8	R 416	(B,89,48)	RS1/16S101J		C
IC 871	(B,63,43) IC	TC7WH125FU	R 417	(B,98,58)	RS1/16S104J		
△ IC 901	(B,120,16) IC	NJM2391DL1-33	R 418	(A,89,50)	RAB4C101J		
△ IC 902	(B,94,22) REGULATOR IC	LM1117DT-ADJ	R 419	(B,100,58)	RS1/16S104J		
IC 951	(A,58,56) IC	TC74VHCT08AFTS1	R 420	(B,96,58)	RS1/16S104J		
IC 952	(B,19,34) OCTAL BUS BUFFER IC	TC74VHCT244AFTS1	R 421	(A,89,58)	RS1/16S104J		
IC 953	(A,48,56) IC	TC74VHC08FST1	R 423	(A,87,58)	RS1/16S101J		
Q 801	(B,34,29) TRANSISTOR	RT1N241M	R 424	(B,90,58)	RS1/16S101J		
D 401	(B,117,57) DIODE	UDZS5R6(B)	R 425	(B,94,58)	RS1/16S101J		
D 402	(B,114,54) DIODE	UDZS5R6(B)	R 426	(B,69,48)	RS1/16S101J		
D 701	(A,79,19) DIODE	MA152WA	R 427	(B,71,48)	RS1/16S101J		
D 702	(B,80,18) DIODE	MA152WK	R 428	(B,73,48)	RS1/16S101J		D
D 901	(B,116,24) DIODE	UDZS5R6(B)	R 429	(A,80,46)	RS1/16S101J		
D 902	(B,102,19) DIODE	UDZS5R6(B)	R 430	(A,107,58)	RS1/16S103J		
L 401	(A,64,49) CHIP SOLID INDUCTOR	QTL1013	R 431	(A,102,58)	RS1/16S0R0J		
L 402	(A,112,60) CHIP SOLID INDUCTOR	ATL7002	R 501	(B,129,16)	RS1/16S750J		
L 551	(A,88,44) CHIP SOLID INDUCTOR	QTL1013	R 502	(B,132,30)	RS1/16S750J		
L 601	(B,103,48) CHIP SOLID INDUCTOR	QTL1013	R 514	(B,127,16)	RS1/16S0R0J		
L 602	(A,98,36) CHIP SOLID INDUCTOR	QTL1013	R 515	(B,130,26)	RS1/16S0R0J		
L 605	(A,117,29) CHIP SOLID INDUCTOR	QTL1013	R 516	(B,123,28)	RS1/16S100J		
L 701	(B,66,30) CHIP SOLID INDUCTOR	QTL1013	R 517	(B,128,30)	RS1/16S100J		
L 702	(A,94,24) CHIP SOLID INDUCTOR	QTL1013	R 562	(A,88,39)	RS1/16S470J		E
L 801	(A,35,25) CHIP SOLID INDUCTOR	QTL1013	R 563	(B,85,44)	RS1/16S101J		
L 802	(A,44,29) CHIP SOLID INDUCTOR	ATL7002	R 564	(A,88,41)	RS1/16S470J		
L 803	(A,53,38) CHIP SOLID INDUCTOR	ATL7002	R 565	(B,88,40)	RS1/16S101J		
L 804	(B,30,34) CHIP SOLID INDUCTOR	QTL1013	R 566	(A,88,42)	RS1/16S101J		
L 851	(A,45,23) CHIP SOLID INDUCTOR	QTL1013	R 567	(A,74,44)	RS1/16S101J		
L 871	(B,67,45) CHIP SOLID INDUCTOR	QTL1013	R 568	(A,75,43)	RS1/16S101J		
			R 569	(A,75,42)	RS1/16S470J		
			R 570	(A,75,41)	RS1/16S101J		
			R 571	(A,75,39)	RS1/16S470J		
			R 604	(B,111,49)	RS1/16S104J		F

	<u>Mark No.</u>	<u>Description</u>	<u>Part No.</u>	<u>Mark No.</u>	<u>Description</u>	<u>Part No.</u>
A	R 605	(B,109,49)	RS1/16S104J	R 836	(A,54,48)	RS1/16S470J
	R 606	(B,107,49)	RS1/16S104J	R 840	(A,17,37)	RS1/16S101J
	R 609	(A,99,43)	RS1/16S0R0J	R 841	(A,65,38)	RS1/16S473J
	R 610	(B,101,48)	RS1/16S0R0J	R 851	(A,45,26)	RS1/16S470J
	R 613	(A,99,38)	RS1/16S101J	R 852	(B,44,24)	RS1/16S222J
	R 614	(A,97,44)	RS1/16S101J	R 855	(B,44,20)	RS1/16S103J
	R 615	(A,99,33)	RS1/16S470J	R 856	(A,52,19)	RS1/16S103J
	R 616	(A,99,32)	RS1/16S101J	R 857	(B,46,24)	RS1/16S103J
	R 617	(A,99,30)	RS1/16S101J	R 871	(B,57,36)	RS1/16S470J
	R 618	(A,99,29)	RS1/16S101J	R 872	(B,59,36)	RS1/16S470J
B	R 620	(A,99,28)	RS1/16S470J	R 873	(B,59,44)	RS1/16S470J
	R 622	(A,111,28)	RS1/16S0R0J	R 874	(B,57,44)	RS1/16S470J
	R 623	(A,114,28)	RS1/16S0R0J	R 905	(B,111,19)	RS1/16S104J
	R 624	(A,114,29)	RS1/16S101J	R 908	(A,121,13)	RS1/16S0R0J
	R 625	(A,114,31)	RS1/16S101J	R 915	(B,89,26)	RS1/16S102J
	R 626	(A,114,32)	RS1/16S101J	R 951	(A,24,32)	RS1/16S101J
	R 627	(A,113,27)	RS1/16S103J	R 952	(A,23,32)	RS1/16S101J
	R 628	(A,115,38)	RS1/16S1802F	R 953	(A,20,37)	RS1/16S101J
	R 701	(B,76,35)	RS1/16S470J	R 954	(B,19,16)	RS1/16S101J
	R 702	(B,72,35)	RS1/16S101J	R 955	(B,17,16)	RS1/16S101J
C	R 703	(B,62,26)	RS1/16S0R0J	R 956	(A,15,31)	RS1/16S101J
	R 704	(B,68,27)	RS1/16S4R7J	R 957	(A,17,31)	RS1/16S101J
	R 705	(A,58,18)	RS1/16S101J	R 958	(A,18,31)	RS1/16S101J
	R 706	(A,61,18)	RS1/16S101J	R 959	(A,19,31)	RS1/16S101J
	R 707	(A,63,18)	RS1/16S101J	R 960	(A,21,31)	RS1/16S101J
	R 708	(A,66,18)	RS1/16S101J	R 961	(A,21,34)	RS1/16S101J
	R 709	(A,68,18)	RS1/16S101J	R 962	(A,27,18)	RS1/16S104J
	R 710	(A,71,18)	RS1/16S101J	R 963	(A,29,52)	RS1/16S104J
	R 711	(A,73,18)	RS1/16S101J	R 964	(A,26,52) RESISTOR ARRAY	RAB4C104J
	R 712	(A,76,18)	RS1/16S101J	R 965	(B,34,56)	RS1/16S104J
	R 713	(A,84,30)	RS1/16S470J	R 966	(A,53,61)	RS1/16S331J
	R 714	(A,84,35)	RS1/16S101J	R 967	(A,28,18)	RS1/16S104J
	R 715	(A,85,36)	RS1/16S101J	R 968	(A,30,18)	RS1/16S104J
	R 716	(A,82,37)	RS1/16S101J	R 969	(A,31,18)	RS1/16S104J
	R 801	(A,49,49)	RS1/16S470J	R 970	(A,34,18) RESISTOR ARRAY	RAB4C104J
D	R 802	(A,40,50)	RAB4C101J	R 971	(A,59,61)	RS1/16S331J
	R 803	(B,44,48)	RS1/16S103J	R 972	(A,56,61)	RS1/16S331J
	R 804	(B,42,48)	RS1/16S103J	R 973	(A,53,59)	RS1/16S331J
	R 805	(B,40,48)	RS1/16S103J	R 977	(B,46,57)	RS1/16S101J
	R 806	(B,38,48)	RS1/16S103J	R 978	(B,50,57)	RS1/16S101J
	R 807	(B,37,42)	RS1/16S473J	R 979	(B,46,53)	RS1/16S101J
	R 810	(A,26,38)	RS1/16S473J	R 980	(B,53,57)	RS1/16S101J
	R 811	(B,28,46)	RS1/16S472J			
	R 812	(B,28,43)	RS1/16S101J			
	R 813	(A,22,37)	RS1/16S103J			
E	R 815	(A,26,26)	RS1/16S105J	CAPACITORS		
	R 816	(A,24,26)	RS1/16S471J	C 401	(A,69,49)	CEVW470M6R3
	R 817	(A,35,28)	RS1/16S101J	C 402	(A,81,60)	CKSRYB104K16
	R 819	(B,26,29)	RS1/16S101J	C 403	(A,81,61)	CCSRCH471J50
	R 821	(B,31,29)	RS1/16S0R0J	C 404	(B,106,57)	CKSRYB104K16
	R 822	(B,38,30)	RS1/16S103J	C 405	(B,112,58)	CKSRYB104K16
	R 823	(B,37,36)	RS1/16S473J	C 406	(B,112,54)	CKSRYB104K16
	R 827	(B,47,38)	RS1/16S470J	C 407	(A,121,54)	CEVW101M16
	R 828	(B,42,24)	RS1/16S470J	C 408	(A,120,58)	CKSRYB104K16
	R 829	(B,45,32)	RS1/16S470J	C 409	(A,71,58)	CCSRCH100D50
F	R 830	(B,47,32)	RS1/16S470J	C 410	(A,71,56)	CCSRCH100D50
	R 832	(A,48,41)	RS1/16S470J	C 413	(A,115,56)	CKSQYB105K16
	R 833	(A,50,45)	RS1/16S470J	C 503	(B,125,16)	CKSRYB103K50
	R 834	(A,54,46)	RS1/16S470J	C 504	(B,130,30)	CKSRYB103K50
	R 835	(A,50,47)	RS1/16S470J	C 551	(A,85,47)	CKSRYB104K16
			C 552	(A,85,45)	CCSRCH471J50	

5		6		7		8	
Mark No.	Description	Part No.	Mark No.	Description	Part No.	Mark No.	Description
C 605	(A,99,41)	CCSRCH471J50	C 831	(A,49,38)	CKSRYPB104K16	C 831	(A,49,38)
C 606	(A,100,41)	CKSRYPB104K16	C 832	(A,48,43)	CCSRCH471J50	C 832	(A,48,43)
C 607	(A,94,39)	CEVW470M6R3	C 833	(A,49,43)	CKSRYPB104K16	C 833	(A,49,43)
C 608	(A,99,36)	CCSRCH471J50	C 834	(A,41,23)	CEVW101M16	C 834	(A,41,23)
C 609	(A,100,36)	CKSRYPB104K16	C 835	(A,55,42)	CHIP ELECT.CAPACITOR	C 835	(A,55,42)
C 612	(A,103,28)	CCSRCH120J50	C 851	(A,45,18)	CCSRCH471J50	C 851	(A,45,18)
C 613	(A,107,28)	CCSRCH120J50	C 852	(A,43,18)	CKSRYPB104K16	C 852	(A,43,18)
C 614	(B,111,28)	CKSRYPB104K16	C 871	(B,66,41)	CCSRCH471J50	C 871	(B,66,41)
C 617	(B,113,28)	CKSRYPB102K50	C 872	(B,68,41)	CKSRYPB104K16	C 872	(B,68,41)
C 618	(A,121,31)	CEVW470M6R3	C 907	(B,114,24)	CKSRYPB104K16	C 907	(B,114,24)
C 619	(A,116,35)	CKSRYPB104K16	C 908	(A,121,23)	CEVW101M16	C 908	(A,121,23)
C 620	(A,114,35)	CCSRCH471J50	C 909	(A,96,20)	CHIP ELECT.CAPACITOR	C 909	(A,96,20)
C 621	(A,114,38)	CKSRYPB474K10	C 916	(B,67,34)	CEVW101M4	C 916	(B,67,34)
C 701	(A,65,32)	CKSRYPB103K50	C 917	(B,69,34)	CCSRCH471J50	C 917	(B,69,34)
C 702	(A,66,32)	CCSRCH471J50	C 918	(B,79,36)	CKSRYPB104K16	C 918	(B,79,36)
C 703	(A,62,23)	CEVW101M16	C 919	(B,80,36)	CCSRCH471J50	C 919	(B,80,36)
C 704	(A,65,29)	CKSRYPB104K16	C 951	(A,52,56)	CCSRCH471J50	C 951	(A,52,56)
C 705	(A,66,29)	CCSRCH101J50	C 952	(A,54,56)	CKSRYPB105K6R3	C 952	(A,54,56)
C 706	(B,64,26)	CKSRYPB104K16	C 954	(B,24,34)	CCSRCH471J50	C 954	(B,24,34)
C 707	(B,58,19)	CCSRCH471J50	C 955	(B,26,34)	CKSQYB105K16	C 955	(B,26,34)
C 708	(B,61,19)	CCSRCH471J50	C 956	(A,64,56)	CKSQYB105K16	C 956	(A,64,56)
C 709	(B,63,19)	CCSRCH471J50	C 957	(A,62,56)	CCSRCH471J50	C 957	(A,62,56)
C 710	(B,66,19)	CCSRCH471J50	H COMPOSITE ASSY MISCELLANEOUS IC 1001(A,74,199) IC CD74HC4051PW IC 1003(A,92,208) IC CD74HC4053PW IC 1004(A,112,209) VIDEO AMP IC LA7109 IC 1005(B,56,197) PORT EXPANDER BU4094BCF IC 1006(A,36,184) CHARACTER GENERATOR PDC131A IC 1151(A,40,209) 2CH E-VOL M61545FP Q 1002(B,99,204) TRANSISTOR 2SC4081 Q 1003(B,27,194) TRANSISTOR 2SC4081 Q 1004(B,179,188) TRANSISTOR 2SC4081 D 1001(B,88,192) DIODE DAN202U D 1002(B,84,192) DIODE DAN202U D 1003(B,132,179) DIODE 1SS355 D 1004(B,123,176) DIODE 1SS355 D 1005(B,57,180) DIODE DAP202U L 1002(B,180,192) CHIP COIL LCTAW120J2520 L 1003(A,33,200) AXIAL INDUCTOR LAU330J JA 1006(A,57,233) PIN JACK (1P) AKB7175 X 1001(A,44,196) CRYSTAL (14.31818M) ASS1056 CN1001(A,184,173) 11P SOCKET XKP3076 CN1002(A,77,178) 21P SOCKET XKP3081 CN1003(A,184,198) 13P SOCKET XKP3077 1003(A,78,233) PIN JACK (2P) AKB7176 1001(A,134,233) PIN JACK (2P) AKB7176 1002(A,106,233) PIN JACK (2P) AKB7176				
C 711	(B,68,19)	CCSRCH471J50					
C 712	(B,71,19)	CCSRCH471J50					
C 713	(B,73,19)	CCSRCH471J50					
C 714	(B,76,19)	CCSRCH471J50					
C 715	(A,88,29)	CEVW101M16					
C 716	(A,84,27)	CKSRYPB104K16					
C 717	(A,83,27)	CCSRCH471J50					
C 718	(A,85,20)	CEVW470M6R3					
C 720	(A,83,24)	CKSRYPB104K16					
C 763	(B,52,30)	CCSRCH471J50					
C 764	(B,54,30)	CKSRYPB104K16					
C 801	(A,44,49)	CCSRCH471J50					
C 802	(A,44,50)	CKSRYPB104K16					
C 803	(A,37,49)	CCSRCH471J50					
C 804	(A,37,50)	CKSRYPB104K16					
C 805	(A,32,49)	CCSRCH471J50					
C 806	(A,32,50)	CKSRYPB104K16					
C 807	(A,27,44)	CCSRCH471J50					
C 808	(A,26,44)	CKSRYPB104K16					
C 809	(A,27,41)	CCSRCH471J50					
C 810	(A,26,41)	CKSRYPB104K16					
C 814	(A,27,33)	CCSRCH471J50					
C 815	(A,26,33)	CKSRYPB104K16					
C 816	(A,21,26)	CCSRCH8R0D50					
C 817	(A,29,26)	CCSRCH8R0D50					
C 818	(A,35,22)	CCSRCH471J50					
C 819	(A,37,22)	CKSRYPB104K16					
C 821	(A,30,30)	CCSRCH471J50					
C 822	(A,30,28)	CKSRYPB104K16					
C 823	(A,32,30)	CCSRCH471J50					
C 824	(A,32,28)	CKSRYPB104K16					
C 825	(B,33,39)	CKSRYPB103K50					
C 826	(A,38,30)	CCSRCH471J50					
C 827	(A,38,29)	CKSRYPB104K16					
C 828	(A,48,35)	CCSRCH471J50					
C 829	(A,49,35)	CKSRYPB104K16					
C 830	(A,48,38)	CCSRCH471J50					

RESISTORS

R 1001	(B,142,224)	RS1/16S750J
R 1002	(B,125,221)	RS1/16S750J
R 1003	(B,97,220)	RS1/16S750J
R 1004	(B,69,220)	RS1/16S750J
R 1007	(B,81,220)	RS1/16S750J

Mark No. Description**Part No.****Mark No. Description****Part No.**

R 1009(B,108,220)
R 1011(B,54,219)
R 1014(B,99,198)
R 1017(B,105,201)
R 1018(B,114,201)

RS1/16S750J
RS1/16S750J
RS1/16S102J
RS1/16S103J
RS1/16S103J

C 1035(B,34,187)
C 1036(B,47,191)
C 1037(B,45,191)
C 1038(B,36,190)
C 1039(B,33,194)

CKSRYB103K50
CCSRCH150J50
CCSRCH180J50
CCSRCH240J50
CCSRCH240J50

R 1019(B,122,201)
R 1020(B,131,201)
R 1021(A,108,203)
R 1022(A,117,203)
R 1023(B,133,204)

RS1/16S103J
RS1/16S103J
RS1/16S103J
RS1/16S103J
RS1/16S473J

C 1040(A,31,193)
C 1041(A,28,193)
C 1042(A,27,193)
C 1045(B,184,192)
C 1046(B,178,193)

CCSRCH101J50
CCSRCH101J50
CCSRCH101J50
CCSRCH330J50
CCSRCH120J50

R 1024(B,135,205)
R 1025(B,66,204)
R 1026(B,63,204)
R 1030(B,85,196)
R 1031(B,71,193)

RS1/16S473J
RS1/16S473J
RS1/16S473J
RS1/16S473J
RS1/16S473J

C 1047(B,180,194)
C 1093(B,111,224)
C 1095(B,82,225)
C 1096(B,79,225)
C 1097(B,54,224)

CCSRCJ3R0C50
CKSRYB103K50
CKSRYB103K50
CKSRYB103K50
CKSRYB103K50

R 1032(B,69,193)
R 1033(B,54,189)
R 1034(A,42,177)
R 1035(B,28,187)
R 1036(B,30,187)

RS1/16S473J
RS1/16S473J
RS1/16S102J
RS1/16S512J
RS1/16S392J

C 1098(B,43,224)

CKSRYB103K50

R 1037(B,41,189)
R 1039(A,25,193)
R 1040(A,25,196)
R 1041(A,27,196)
R 1043(B,175,192)

RS1/16S102J
RS1/16S331J
RS1/16S331J
RS1/16S331J
RS1/16S561J

IC 1201(A,115,134) IC
IC 1202(A,103,134) IC
IC 1203(A,111,119) IC
IC 1204(A,130,136) IC
IC 1205(A,66,138) VIDEO AMP IC

CD74HC4051PW
CD74HC4051PW
CD74HC4053PW
LA7213
LA7109

R 1046(B,179,190)
R 1049(B,94,203)
R 1051(B,88,200)
R 1053(B,73,216)
R 1054(B,90,209)

RS1/16S102J
RS1/16S103J
RS1/16S0R0J
RS1/16S0R0J
RS1/16S473J

Q 1201(B,147,133) TRANSISTOR
Q 1203(B,135,115) TRANSISTOR
Q 1204(B,135,106) TRANSISTOR
Q 1205(A,148,117) TRANSISTOR
Q 1206(B,155,104) TRANSISTOR

RT1N241M
2SC4081
2SC4081
2SC4081
2SC4081

D 1201(B,141,129) DIODE
D 1202(B,144,134) DIODE
D 1203(B,79,133) DIODE
D 1204(A,83,129) DIODE
D 1251(B,93,114) DIODE

1SS355
1SS355
DAN202K
DAN202K
1SS355

D 1252(B,77,115) DIODE
L 1201(A,155,109) CHIP COIL
L 1202(B,162,108) CHIP COIL
CN1201(A,175,128) 13P SOCKET
CN1202(A,175,104) 11P SOCKET

1SS355
LCTAW120J2520
LCTAW120J2520
XKP3077
XKP3076

CN1203(A,68,108) 15P SOCKET
CN1204SOCKET
CN1205(A,97,163) SOCKET
CN1206(A,125,163) SOCKET

XKP3078
XKB3052
XKB3051
XKB3051

CAPACITORS

C 1001(A,75,202)
C 1002(A,73,204)
C 1005(A,91,212)
C 1006(A,94,212)
C 1008(B,65,202)

CKSRYB103K50
CKSRYB103K50
CKSRYB104K50
CKSRYB104K50
CKSRYB104K50

C 1011(B,96,205)
C 1012(B,101,198)
C 1014(A,88,197)
C 1016(A,116,200)
C 1017(A,125,200)

CKSRYB103K50
CKSRYB103K50
CEAT101M10
CEAT101M10
CEAT101M10

C 1018(A,134,200)
C 1019(B,116,211)
C 1020(A,120,208)
C 1021(A,123,214)
C 1022(A,129,214)

CEAT101M10
CKSRYB104K50
CKSRYB104K50
CEAT101M10
CEAT101M10

C 1024(B,84,225)
C 1025(B,113,224)
C 1026(B,56,224)
C 1027(A,45,180)
C 1028(A,45,187)

CCSRCH181J50
CCSRCH181J50
CCSRCH181J50
CEAT101M10
CEAT101M10

C 1029(A,45,177)
C 1030(A,27,185)
C 1031(A,39,177)
C 1032(A,35,177)
C 1033(A,31,177)

CKSRYB473K25
CKSRYB473K25
CCSRCH101J50
CKSRYB122K50
CKSRYB122K50

RESISTORS

R 1201(B,131,152)
R 1202(B,133,152)
R 1203(B,117,152)
R 1204(B,119,152)
R 1205(B,89,152)

RS1/16S750J
RS1/16S750J
RS1/16S750J
RS1/16S750J
RS1/16S750J

R 1206(B,91,152)
R 1207(B,61,151)
R 1208(B,63,151)
R 1209(B,47,148)
R 1210(B,49,148)

RS1/16S750J
RS1/16S750J
RS1/16S750J
RS1/16S750J
RS1/16S750J

Mark No. Description**Part No.****Mark No. Description****Part No.****RESISTORS**

A	R 1401(B,149,85)	RS1/16S750J
	R 1402(B,138,85)	RS1/16S750J
	R 1403(B,124,85)	RS1/16S750J
	R 1404(B,157,85)	RS1/16S750J
	R 1405(B,145,85)	RS1/16S750J
	R 1406(B,131,85)	RS1/16S750J
	R 1407(B,115,85)	RS1/16S750J
	R 1408(B,103,85)	RS1/16S750J
	R 1409(B,89,85)	RS1/16S750J
	R 1410(B,107,78)	RS1/16S750J
	R 1411(B,93,78)	RS1/16S750J
	R 1412(B,83,79)	RS1/16S750J
B	R 1416(B,91,61)	RS1/16S102J
	R 1417(B,85,57)	RS1/16S153J
	R 1418(B,75,56)	RS1/16S153J
	R 1419(B,82,58)	RS1/16S333J
	R 1420(B,78,58)	RS1/16S333J
	R 1421(B,159,64)	RS1/16S102J
	R 1422(B,159,69)	RS1/16S102J
	R 1423(B,159,74)	RS1/16S102J
	R 1424(B,169,59)	RS1/16S561J
	R 1425(B,171,54)	RS1/16S561J
	R 1426(B,173,53)	RS1/16S561J
C	R 1430(B,133,54)	RS1/16S473J
	R 1431(B,131,54)	RS1/16S473J
	R 1432(B,131,50)	RS1/16S473J
	R 1433(B,134,46)	RS1/16S473J
	R 1434(A,134,46)	RS1/16S0R0J
	R 1439(B,126,49)	RS1/16S473J
	R 1440(B,124,49)	RS1/16S473J
	R 1441(B,128,48)	RS1/16S473J
	R 1442(B,128,45)	RS1/16S473J
	R 1443(B,157,64)	RS1/16S154J
	R 1444(B,160,64)	RS1/16S124J
D	R 1446(B,157,69)	RS1/16S154J
	R 1447(B,161,69)	RS1/16S124J
	R 1449(B,157,74)	RS1/16S154J
	R 1450(B,161,74)	RS1/16S124J
	R 1461(B,162,60)	RS1/16S104J
	R 1462(B,163,55)	RS1/16S104J
	R 1463(B,166,48)	RS1/16S104J
	R 1464(B,157,55)	RS1/16S102J
	R 1465(B,166,52)	RS1/16S102J
	R 1466(B,173,47)	RS1/16S102J
E	R 1501(B,62,59)	RS1/16S271J
	R 1502(B,68,59)	RS1/16S271J
	R 1503(B,62,65)	RS1/16S121J
	R 1504(B,68,65)	RS1/16S121J
	R 1505(B,62,70)	RS1/16S101J
	R 1506(B,68,70)	RS1/16S101J
	R 1507(B,63,86)	RS1/16S474J
	R 1508(B,67,87)	RS1/16S474J
	R 1509(A,62,60)	RS1/16S103J
	R 1510(A,68,60)	RS1/16S103J
F	R 1511(A,60,69)	RS1/16S103J

R 1512(A,67,69)	RS1/16S103J
R 1521(B,49,59)	RS1/16S271J
R 1522(B,55,59)	RS1/16S271J
R 1523(B,49,65)	RS1/16S121J
R 1524(B,55,65)	RS1/16S121J

R 1525(B,49,70)	RS1/16S101J
R 1526(B,55,70)	RS1/16S101J
R 1527(B,49,86)	RS1/16S474J
R 1528(B,53,87)	RS1/16S474J
R 1529(A,49,60)	RS1/16S103J

R 1530(A,55,60)	RS1/16S103J
R 1531(A,47,69)	RS1/16S103J
R 1532(A,54,69)	RS1/16S103J
R 1541(B,36,59)	RS1/16S271J
R 1542(B,42,59)	RS1/16S271J

R 1543(B,36,65)	RS1/16S121J
R 1544(B,42,65)	RS1/16S121J
R 1545(B,36,70)	RS1/16S101J
R 1546(B,42,70)	RS1/16S101J
R 1547(B,35,86)	RS1/16S474J

R 1548(B,39,87)	RS1/16S474J
R 1549(A,36,60)	RS1/16S103J
R 1550(A,42,60)	RS1/16S103J
R 1551(A,34,69)	RS1/16S103J
R 1552(A,41,69)	RS1/16S103J

R 1561(B,23,61)	RS1/16S271J
R 1562(B,29,61)	RS1/16S271J
R 1563(B,22,65)	RS1/16S121J
R 1564(B,29,65)	RS1/16S121J
R 1565(B,22,70)	RS1/16S101J

R 1566(B,29,70)	RS1/16S101J
R 1567(B,21,86)	RS1/16S474J
R 1568(B,25,87)	RS1/16S474J
R 1569(A,23,60)	RS1/16S103J
R 1570(A,29,60)	RS1/16S103J

R 1571(A,21,69)	RS1/16S103J
R 1572(A,27,69)	RS1/16S103J
R 1573(A,65,46)	RS1/16S473J
R 1574(A,62,46)	RS1/16S471J
R 1575(A,63,44)	RS1/16S473J

R 1576(A,61,43)	RS1/16S471J
-----------------	-------------

CAPACITORS

C 1413(A,118,70)	CKSRYB103K50
C 1414(A,107,72)	CKSRYB103K50
C 1415(A,131,70)	CKSRYB103K50
C 1416(A,117,73)	CKSRYB103K50
C 1417(A,143,67)	CKSRYB103K50

C 1418(A,135,72)	CKSRYB103K50
C 1419(A,101,61)	CEAT101M10
C 1420(A,95,61)	CEAT101M10
C 1421(A,97,53)	CEAT101M10
C 1425(A,83,67)	CEAT101M10

C 1426(A,83,73)	CEAT101M10
C 1427(B,86,67)	CKSRYB104K25
C 1428(B,86,72)	CKSRYB104K25
C 1431(B,82,60)	CKSRYB224K10
C 1432(B,78,60)	CKSRYB224K10

5	6	7	8
Mark No.	Description	Part No.	Mark No. Description Part No.
C 1433(B,153,64)		CKSRYB103K50	L DISPLAY ASSY MISCELLANEOUS IC 2301(B,164,214) DISPLAY U-COM PE5503A IC 2402(A,237,230) REMOTE RECEIVER UNIT RPM7540-H9 Q 2401(B,205,185) TRANSISTOR RT1N241M Q 2404(B,251,192) TRANSISTOR 2SA1576A Q 2405(B,231,192) TRANSISTOR RT1N241M Q 2406(B,225,220) DIGITAL TR (SC-70) RT1N431M Q 2408(B,65,214) DIGITAL TR (SC-70) RT1N431M D 2404(B,238,190) DIODE 1SS355 D 2405(B,254,195) DIODE 1SS355 D 2406(B,252,209) DIODE DAN202U D 2408(A,237,220) LED (ORANGE) SLI-343DCW(STU) D 2412(A,58,214) LED (RED) SLI-343URW(RST) D 2416(B,53,227) DIODE 1SS355 L 2401(A,248,205) RADIAL INDUCTOR LFCA2R2J V 2301(A,218,237) FL TUBE AAV7105 X 2301(A,179,197) CERAMIC (5M) VSS1142 CN2301(A,269,204) CONNECTOR CKS3394 2303(A,267,196) CABLE HOLDER (4P) 51063-0405 2301(A,157,201) FL HOLDER (FE) VNF1096 2302(A,48,221) 17P CABLE HOLDER 51048-1700
C 1434(B,168,64)		CKSRYB103K50	
C 1435(B,153,70)		CKSRYB103K50	
C 1436(B,168,69)		CKSRYB103K50	
C 1437(B,152,76)		CKSRYB103K50	
C 1438(B,168,73)		CKSRYB103K50	
C 1439(A,151,63)		CEAT100M50	
C 1440(A,151,68)		CEAT100M50	
C 1441(A,150,74)		CEAT100M50	
C 1445(A,170,59)		CCSRCH120J50	
C 1446(A,170,55)		CCSRCH120J50	
C 1447(A,172,50)		CCSRCH120J50	
C 1448(A,169,59)		CCSRCH330J50	
C 1449(A,169,55)		CCSRCH330J50	
C 1450(A,170,50)		CCSRCH330J50	
C 1454(A,170,57)		CCSRCJ3R0C50	
C 1455(A,170,52)		CCSRCJ3R0C50	
C 1456(A,172,48)		CCSRCJ3R0C50	
C 1469(A,130,54)		CKSRYB104K50	
C 1471(A,163,58)		CEAT100M50	
C 1472(A,163,53)		CEAT100M50	
C 1473(A,166,46)		CEAT100M50	
C 1490(B,147,85)		CKSRYB103K50	
C 1491(B,133,85)		CKSRYB103K50	
C 1492(B,105,85)		CKSRYB103K50	
C 1493(B,91,85)		CKSRYB103K50	
C 1501(B,63,84)		CCSRCH101J50	
C 1502(B,67,85)		CCSRCH101J50	
C 1507(B,60,70)		CCSRCH271J50	
C 1508(B,66,70)		CCSRCH271J50	
C 1521(B,49,84)		CCSRCH101J50	
C 1522(B,53,85)		CCSRCH101J50	
C 1527(B,47,70)		CCSRCH271J50	
C 1528(B,53,70)		CCSRCH271J50	
C 1531(A,60,78) ELECT. CAPACITOR		CEAT470M25	
C 1532(A,67,78) ELECT. CAPACITOR		CEAT470M25	
C 1533(A,47,78) ELECT. CAPACITOR		CEAT470M25	
C 1541(B,35,84)		CCSRCH101J50	
C 1542(B,39,85)		CCSRCH101J50	
C 1547(A,54,78) ELECT. CAPACITOR		CEAT470M25	
C 1548(A,34,78) ELECT. CAPACITOR		CEAT470M25	
C 1549(A,41,78) ELECT. CAPACITOR		CEAT470M25	
C 1550(A,21,78) ELECT. CAPACITOR		CEAT470M25	
C 1551(A,27,78) ELECT. CAPACITOR		CEAT470M25	
C 1561(B,21,84)		CCSRCH101J50	
C 1562(B,25,85)		CCSRCH101J50	
C 1567(A,60,46)		CKSRYB472K50	
C 1568(A,58,44)		CKSRYB472K50	
C 1569(B,34,70)		CCSRCH271J50	
C 1570(B,40,70)		CCSRCH271J50	
C 1571(B,20,70)		CCSRCH271J50	
C 1572(B,27,70)		CCSRCH271J50	
C 1591(B,58,86)		CKSRYB103K50	
C 1593(B,30,86)		CKSRYB103K50	
COMPLEX ASSY			
MISCELLANEOUS			
△ Y 15 AWG18 BOARD IN		ADX7501	
△ Y 14 AWG18 BOARD IN		ADX7500	
			RESISTORS
		R 2301(B,104,240)	RS1/16S104J
		R 2302(B,106,240)	RS1/16S104J
		R 2303(B,108,240)	RS1/16S104J
		R 2304(B,110,240)	RS1/16S104J
		R 2305(B,112,240)	RS1/16S104J
		R 2306(B,114,240)	RS1/16S104J
		R 2307(B,116,240)	RS1/16S104J
		R 2308(B,118,240)	RS1/16S104J
		R 2309(B,120,240)	RS1/16S104J
		R 2310(B,122,240)	RS1/16S104J
		R 2311(B,124,240)	RS1/16S104J
		R 2312(B,126,240)	RS1/16S104J
		R 2313(B,128,240)	RS1/16S104J
		R 2314(B,130,240)	RS1/16S104J
		R 2315(B,132,240)	RS1/16S104J
		R 2316(B,134,240)	RS1/16S104J
		R 2317(B,136,240)	RS1/16S104J
		R 2318(B,138,240)	RS1/16S104J
		R 2319(B,140,240)	RS1/16S104J
		R 2320(B,142,240)	RS1/16S104J
		R 2321(B,144,240)	RS1/16S104J
		R 2322(B,146,240)	RS1/16S104J
		R 2323(B,148,240)	RS1/16S104J
		R 2324(B,150,240)	RS1/16S104J
		R 2325(B,152,240)	RS1/16S104J
		R 2326(B,154,240)	RS1/16S104J
		R 2327(B,156,240)	RS1/16S104J
		R 2328(B,158,240)	RS1/16S104J
		R 2329(B,160,240)	RS1/16S104J
		R 2330(B,162,240)	RS1/16S104J
		R 2331(B,164,240)	RS1/16S104J
		R 2332(B,166,240)	RS1/16S104J
		R 2333(B,168,240)	RS1/16S104J
		R 2334(B,170,240)	RS1/16S104J
		R 2335(B,172,240)	RS1/16S104J

Mark No. Description**Part No.****Mark No. Description****Part No.**

R 2336(B,174,240)
R 2337(B,176,240)
R 2338(B,180,240)
R 2339(B,182,240)
R 2340(B,184,240)

RS1/16S104J
RS1/16S104J
RS1/16S473J
RS1/16S473J
RS1/16S473J

R 2341(B,186,240)
R 2342(B,188,240)
R 2343(B,190,240)
R 2344(B,192,240)
R 2345(B,194,240)

RS1/16S473J
RS1/16S473J
RS1/16S473J
RS1/16S473J
RS1/16S473J

R 2346(B,196,240)
R 2347(B,198,240)
R 2348(B,200,240)
R 2349(B,202,240)
R 2350(B,204,240)

RS1/16S473J
RS1/16S473J
RS1/16S473J
RS1/16S473J
RS1/16S473J

R 2351(B,206,240)
R 2352(B,208,240)
R 2353(B,210,240)
R 2354(B,198,200)
R 2355(B,206,191)

RS1/16S473J
RS1/16S473J
RS1/16S473J
RS1/16S473J
RS1/16S473J

R 2356(B,190,207)
R 2357(B,193,202)
R 2358(B,181,201)
R 2359(B,176,202)
R 2361(B,172,197)

RS1/16S473J
RS1/16S473J
RS1/16S105J
RS1/16S104J
RS1/16S221J

R 2362(B,170,194)
R 2363(B,169,194)
R 2364(B,167,194)
R 2366(B,162,198)
R 2368(B,126,199)

RS1/16S221J
RS1/16S221J
RS1/16S221J
RS1/16S104J
RS1/16S473J

R 2369(B,131,208)
R 2370(B,114,207)
R 2371(B,136,208)
R 2372(B,135,208)
R 2373(B,133,208)

RS1/16S474J
RS1/16S221J
RS1/16S104J
RS1/16S221J
RS1/16S101J

R 2374(B,134,212)
R 2375(B,129,208)
R 2377(B,135,204)
R 2378(B,133,204)
R 2401(B,262,227)

RS1/16S221J
RS1/16S104J
RS1/16S474J
RS1/16S104J
RS1/16S221J

R 2402(B,260,227)
R 2403(B,258,225)
R 2404(B,256,224)
R 2405(B,254,223)
R 2406(B,201,185)

RS1/16S0R0J
RS1/16S0R0J
RS1/16S0R0J
RS1/16S0R0J
RS1/16S473J

R 2411(B,247,191)
R 2412(B,249,192)
R 2413(B,240,191)
R 2414(B,237,196)
R 2415(B,257,192)

RS1/16S0R0J
RS1/16S104J
RS1/16S472J
RS1/16S0R0J
RS1/16S104J

R 2416(B,251,195)
R 2417(B,239,196)
R 2419(B,232,240)
R 2420(B,233,220)
R 2422(B,64,219)

RS1/16S103J
RS1/16S102J
RS1/16S101J
RS1/16S331J
RS1/16S331J

R 2424(B,135,193)

RS1/16S472J

CAPACITORS

C 2303(B,221,238)
C 2304(A,230,236) ELECT. CAPACITOR
C 2305(B,178,231)
C 2306(B,180,231)
C 2307(B,182,231)

CCSRCH471J50
CEAT101M35
CCSRCH471J50
CCSRCH471J50
CCSRCH471J50

C 2308(B,183,231)
C 2309(B,187,231)
C 2310(B,189,231)
C 2311(B,190,231)
C 2312(B,192,231)

CCSRCH471J50
CCSRCH471J50
CCSRCH471J50
CCSRCH471J50
CCSRCH471J50

C 2313(B,196,231)
C 2314(B,197,231)
C 2315(B,199,231)
C 2316(B,201,231)
C 2317(B,204,231)

CCSRCH471J50
CCSRCH471J50
CCSRCH471J50
CCSRCH471J50
CCSRCH471J50

C 2318(B,206,231)
C 2319(B,208,231)
C 2320(B,209,231)
C 2351(B,180,215)
C 2353(B,185,207)

CCSRCH471J50
CCSRCH471J50
CCSRCH471J50
CKSRYB103K50
CKSRYB104K25

C 2354(B,175,202)
C 2359(B,142,204)
C 2360(A,87,231) ELECT. CAPACITOR
C 2361(B,161,230)
C 2362(B,160,230)

CKSRYB104K25
CKSRYB103K50
CEJQ470M50
CKSRYB103K50
CKSRYB103K50

C 2403(B,247,195)
C 2404(B,237,236)
C 2405(A,247,235)
C 2406(B,245,209)
C 2407(A,229,210)

CKSRYB103K50
CKSRYB103K50
CEJQ101M6R3
CKSRYB103K50
CEJQ221M6R3

M VOLUME ASSY**MISCELLANEOUS**

J 2451JUMPER WIRE
S 2451(A,289,207) SWITCH
S 2452(A,304,207) SWITCH
S 2453(A,314,207) SWITCH
S 2454(A,302,174) ROTARY ENCODER

D15A04-100-2651
VSG1024
VSG1024
VSG1024
ASX7048

2451(A,278,202) CABLE HOLDER (4P)

51063-0405

RESISTORS

R 2451(B,296,206)
R 2452(B,311,206)

RS1/16S681J
RS1/16S821J

CAPACITORS

C 2451(B,281,208)
C 2452(B,304,186)
C 2453(B,299,186)

CKSRYB102K50
CKSRYB103K50
CKSRYB103K50

N MULTI JOG ASSY**MISCELLANEOUS**

IC 2501(B,157,111) LOGIC IC
Q 2501(B,162,146) DIGITAL TR (SC-70)
Q 2502(B,174,146) DIGITAL TR (SC-70)
Q 2503(B,195,146) DIGITAL TR (SC-70)
Q 2504(B,217,146) DIGITAL TR (SC-70)

CD4094BNS
RT1N431M
RT1N431M
RT1N431M
RT1N431M

5		6		7		8	
Mark No.	Description	Part No.	Mark No.	Description	Part No.	Mark No.	Description
Q 2505(B,237,147)	DIGITAL TR (SC-70)	RT1N431M	R 2511(B,119,152)		RS1/16S331J		
Q 2506(B,259,146)	DIGITAL TR (SC-70)	RT1N431M	R 2512(B,87,151)		RS1/16S331J		
Q 2507(B,280,146)	DIGITAL TR (SC-70)	RT1N431M	R 2513(B,160,103)		RS1/16S0R0J		
Q 2508(B,314,140)	DIGITAL TR (SC-70)	RT1N431M	R 2551(B,149,141)		RS1/16S472J		A
Q 2509(B,131,147)	DIGITAL TR (SC-70)	RT1N431M	R 2552(B,173,141)		RS1/16S681J		
Q 2510(B,22,184)	DIGITAL TR (SC-70)	RT1N431M	R 2553(B,194,141)		RS1/16S821J		
Q 2511(B,121,147)	DIGITAL TR (SC-70)	RT1N431M	R 2554(B,216,141)		RS1/16S122J		
Q 2512(B,87,146)	DIGITAL TR (SC-70)	RT1N431M	R 2555(B,237,141)		RS1/16S162J		
D 2502(A,155,147)	LED (ORANGE)	SLI-343DCW(STU)	R 2556(B,258,141)		RS1/16S272J		
D 2504(A,177,147)	LED (ORANGE)	SLI-343DCW(STU)	R 2557(B,280,141)		RS1/16S512J		
D 2506(A,198,147)	LED (ORANGE)	SLI-343DCW(STU)	R 2558(B,301,142)		RS1/16S133J		
D 2508(A,220,147)	LED (ORANGE)	SLI-343DCW(STU)	R 2561(B,77,113)		RS1/16S472J		
D 2510(A,241,147)	LED (ORANGE)	SLI-343DCW(STU)	R 2562(B,106,98)		RS1/16S681J		
D 2512(A,263,147)	LED (ORANGE)	SLI-343DCW(STU)	R 2563(B,117,90)		RS1/16S821J		
D 2514(A,284,147)	LED (ORANGE)	SLI-343DCW(STU)	R 2564(B,132,90)		RS1/16S122J		B
D 2516(A,306,147)	LED (RED)	SLI-343URCW(RST)	R 2565(B,145,90)		RS1/16S162J		
D 2518(A,134,147)	LED (ORANGE)	SLI-343DCW(STU)	R 2566(B,160,90)		RS1/16S272J		
D 2520(A,16,186)	LED (BLUE)	SLR-343BBT(HJKL)	R 2567(B,175,90)		RS1/16S512J		
D 2522(A,112,147)	LED (ORANGE)	SLI-343DCW(STU)	R 2571(B,12,181)		RS1/16S472J		
D 2524(A,91,147)	LED (ORANGE)	SLI-343DCW(STU)	R 2572(B,18,146)		RS1/16S681J		
J 2501 JUMPER WIRE		D20PDD1715E	R 2573(B,30,142)		RS1/16S821J		
S 2501(A,36,119)	ROTARY ENCODER	ASX7031	R 2574(B,45,142)		RS1/16S122J		
S 2551(A,154,141)	SWITCH	VSG1024	R 2575(B,87,141)		RS1/16S162J		
S 2552(A,181,141)	SWITCH	VSG1024	R 2576(B,106,143)		RS1/16S272J		
S 2553(A,202,141)	SWITCH	VSG1024	R 2577(B,130,141)		RS1/16S512J		C
S 2554(A,224,141)	SWITCH	VSG1024					
S 2555(A,245,141)	SWITCH	VSG1024					
S 2556(A,267,141)	SWITCH	VSG1024					
S 2557(A,288,141)	SWITCH	VSG1024					
S 2558(A,310,141)	SWITCH	VSG1024					
S 2561(A,74,117)	SWITCH	VSG1024					
S 2562(A,106,91)	SWITCH	VSG1024					
S 2563(A,120,91)	SWITCH	VSG1024					
S 2564(A,135,91)	SWITCH	VSG1024					
S 2565(A,150,91)	SWITCH	VSG1024					
S 2566(A,165,91)	SWITCH	VSG1024					
S 2567(A,179,91)	SWITCH	VSG1024					
S 2571(A,15,179)	SWITCH	VSG1024					
S 2572(A,18,142)	SWITCH	VSG1024					
S 2573(A,33,142)	SWITCH	VSG1024					
S 2574(A,48,142)	SWITCH	VSG1024					
S 2575(A,90,141)	SWITCH	VSG1024					
S 2576(A,116,141)	SWITCH	VSG1024					
S 2577(A,138,141)	SWITCH	VSG1024					
2501(A,41,205)	17P CABLE HOLDER	51048-1700					

RESISTORS

R 2501(B,151,152)	RS1/16S331J
R 2502(B,184,152)	RS1/16S331J
R 2503(B,194,152)	RS1/16S331J
R 2504(B,216,152)	RS1/16S331J
R 2505(B,237,152)	RS1/16S331J
R 2506(B,259,152)	RS1/16S331J
R 2507(B,280,152)	RS1/16S331J
R 2508(B,302,152)	RS1/16S331J
R 2509(B,142,152)	RS1/16S331J
R 2510(B,9,186)	RS1/16S391J

CAPACITORS

C 2501(B,148,108)	CKSRYB103K50
C 2502(B,36,129)	CKSRYB103K50
C 2503(B,33,129)	CKSRYB103K50
C 2551(B,151,141)	CKSRYB102K50
C 2561(B,79,113)	CKSRYB102K50
C 2571(B,18,181)	CKSRYB102K50

HEADPHONE ASSY MISCELLANEOUS

KN2851(A,13,54)	WRAPPING TERMINAL	VNF1084
CN2851(A,19,70)	4P JUMPER CONNECTOR	52147-0410
2851(A,15,14)	PHONE JACK	AKN7029

RESISTORS

R 2851(B,20,26)	RS1/16S102J
R 2852(B,16,27)	RS1/16S0R0J

CAPACITORS

C 2851(B,19,42)	CKSRYB392K50
C 2852(B,11,29)	CKSRYB392K50
C 2853(B,10,40)	CCSRCH471J50
C 2854(B,13,43)	CKSRYB103K50
C 2855(B,13,45)	CKSRYB104K16

FRONT-IN ASSY MISCELLANEOUS

IC 2701(B,36,55)	OP-AMP IC	BA4560RF
Q 2651(B,116,47)	CHIP TRANSISTOR	HN1C01FU
D 2701(B,29,62)	DIODE	DAN217
D 2702(B,33,32)	DIODE	UDZS5R1(B)
D 2703(B,31,29)	DIODE	UDZS5R1(B)

Mark No. Description**Part No.**

D 2704(B,28,46) DIODE
 L 2653(B,117,59) INDUCTOR
 L 2671(B,143,58) INDUCTOR
 L 2681(B,92,65) CHIP SOLID INDUCTOR
 L 2752(B,68,60) CHIP FERRITE BEADS

UDZS5R1(B)
 CTF1385
 CTF1385
 QTL1013
 VTL1169

L 2753(B,72,55) CHIP FERRITE BEADS
 JA 2651(A,109,69) PIN JACK (4P)
 JA 2652(A,88,77) OPTICAL IN MOD.
 JA 2701(A,45,73) JACK
 JA 2751(A,65,76) USB CONNECTOR

VTL1169
 XKX3003
 GP1FM513RZ
 RKN1004
 XKP3086

KN2651(A,156,42) WRAPPING TERMINAL
 KN3351(A,44,37) WRAPPING TERM NAL
 CN2651(A,40,28) CONNECTOR
 CN2652(A,67,42) CONNECTOR

VNF1084
 VNF1084
 CKS3382
 B4B-PH

RESISTORS

R 2651(B,121,58)
 R 2652(B,107,57)
 R 2653(B,128,58)
 R 2654(B,111,56)
 R 2655(B,128,54)

RS1/16S0R0J
 RS1/16S0R0J
 RS1/16S104J
 RS1/16S104J
 RS1/16S221J

R 2656(B,107,52)
 R 2657(B,124,54)
 R 2658(B,113,56)
 R 2659(B,122,46)
 R 2660(B,113,51)

RS1/16S221J
 RS1/16S104J
 RS1/16S104J
 RS1/16S221J
 RS1/16S221J

R 2661(B,118,46)
 R 2662(B,113,43)
 R 2663(B,120,46)
 R 2664(B,112,48)
 R 2665(B,100,46)

RS1/16S153J
 RS1/16S153J
 RS1/16S101J
 RS1/16S101J
 RS1/16S470J

R 2666(B,100,39)
 R 2668(B,131,57)
 R 2671(B,141,62)
 R 2672(B,145,62)
 R 2673(B,152,59)

RS1/16S470J
 RS1/16S0R0J
 RS1/16S750J
 RS1/16S0R0J
 RS1/16S750J

R 2674(B,150,64)
 R 2675(B,152,55)
 R 2676(B,148,58)
 R 2681(B,85,65)
 R 2701(B,41,65)

RS1/16S750J
 RS1/16S0R0J
 RS1/16S0R0J
 RS1/16S101J
 RS1/16S102J

R 2702(B,38,68)
 R 2703(B,40,69)
 R 2704(B,30,66)
 R 2705(B,34,62)
 R 2706(B,30,57)

RS1/16S682J
 RS1/16S104J
 RS1/16S101J
 RS1/16S104J
 RS1/16S472J

R 2707(B,38,62)
 R 2708(B,41,61)
 R 2709(B,30,48)
 R 2710(B,34,48)
 R 2711(B,36,48)

RS1/16S333J
 RS1/16S101J
 RS1/16S472J
 RS1/16S333J
 RS1/16S101J

R 2712(B,34,28)
 R 2714(B,34,38)
 R 2751(B,65,60)
 R 2752(B,63,60)

RS1/16S104J
 RS1/16S102J
 RS1/16S0R0J
 RS1/16S0R0J

Mark No. Description**Part No.****CAPACITORS**

C 2651(B,126,58)
 C 2652(B,109,56)
 C 2653(A,125,47)
 C 2654(A,109,46)
 C 2655(B,126,54)

CCSRCH221J50
 CCSRCH221J50
 CEAT100M50
 CEAT100M50
 CCSRCH101J50

C 2656(B,115,56)
 C 2659(A,125,39) ELECT. CAPACITOR
 C 2660(A,109,39) ELECT. CAPACITOR
 C 2661(B,113,40)
 C 2662(B,115,37)

CCSRCH101J50
 CEAT470M25
 CEAT470M25
 CKSRYB103K50
 CKSRYB103K50

C 2663(A,102,46) ELECT. CAPACITOR
 C 2664(A,102,40) ELECT. CAPACITOR
 C 2665(B,152,46)
 C 2666(B,150,46)
 C 2671(B,130,61)

CEAT330M25
 CEAT330M25
 CKSRYB103K50
 CKSRYB223K50
 CKSRYB103K50

C 2672(B,143,62)
 C 2673(B,154,57)
 C 2674(B,156,46)
 C 2675(B,158,46)
 C 2681(B,89,65)

CKSRYB102K50
 CKSRYB104K16
 CKSRYB103K50
 CKSRYB223K50
 CKSRYB104K16

C 2701(B,42,69)
 C 2702(A,36,66)
 C 2703(B,32,62)
 C 2704(B,36,62)
 C 2705(B,32,48)

CCSRCH471J50
 CEAT100M50
 CCSRCH101J50
 CCSRCH330J50
 CCSRCH330J50

C 2706(A,34,36)
 C 2707(B,48,43)
 C 2709(B,52,43)
 C 2712(A,35,44)
 C 2713(B,40,57)

CEAT100M50
 CKSRYB103K50
 CKSRYB223K50
 CEAT100M50
 CKSRYB103K50

C 2714(B,40,53)
 C 2715(A,49,59)
 C 2716(A,49,53)
 C 2718(B,40,38)
 C 2719(B,40,36)

CKSRYB103K50
 CEAT100M50
 CEAT100M50
 CKSRYB102K50
 CCSRCH221J50

C 2753(B,68,56)
 C 2755(A,68,51)
 C 2756(B,73,51)
 C 2757(B,73,46)

CKSRYB104K16
 CEAT101M16
 CKSRYB104K16
 CCSRCH471J50

Q PRIMARY ASSY**MISCELLANEOUS**

⚠ IC 2001(A,305,99) REGULATOR IC
 Q 2001(B,281,60) DIGITAL TR (SC-70)
 D 2001(B,276,60) DIODE
 D 2002(B,276,65) DIODE
 ⚠ D 2003(B,296,87) BRIDGE DIODE

NJM78M56FA
 RT1N431M
 1SS355
 1SS355
 S1WB(A)60SD

D 2004(B,304,75) DIODE
 D 2006(B,308,70) DIODE
 ⚠ L 2001(A,244,24) LINE FILTER
 H 2001(A,243,46) FUSE CLIP
 H 2002(A,223,46) FUSE CLIP

1SS355
 UDZS5R1(B)
 XTF3004
 AKR7001
 AKR7001

KN2001(A,194,19) SCREW PLATE
 ⚠ RY2001(A,251,58) JOE LOW POWER RELAY
 ⚠ T 2001(A,273,84) STANDBY TRANSFORMER
 CN2001(A,301,115) 9P SOCKET
 CN2002(A,246,115) 5P SOCKET

VNE1948
 ASR7013
 ATT7040
 KP200TA9L
 KP200TA5L

⚠ CN2003(A,225,25) AC CORD SOCKET

RKP1751

5	6	
Mark No.	Description	Part No.

RESISTORS

R 2002(A,279,68)	CARBON FILM RESISTOR RD1/4MUF101J	
R 2003(B,305,70)		RS1/16S103J
R 2004(B,302,70)		RS1/16S332J

CAPACITORS

△ C 2002(A,266,26)	FILM (0.01, 275 V)	ACE7013
△ C 2003(A,251,52)	10000P, 250 V	XCG3009
C 2004(A,290,106)	FILM CAPACITOR	CQMBA103J50
C 2010(A,309,106)		CEAT221M25
C 2011(B,310,85)		CKSRYB103K50
C 2012(A,303,88)	ELECT. CAPACITOR	CEAT102M25

R TRANS 1 ASSY

TRANS 1 Assy has no service part.

SECONDARY ASSY

MISCELLANEOUS

Y 10	AWG18 BOARD IN	ADX7503
Y 9	AWG18 BOARD IN	ADX7502
Y 11	AWG18 BOARD IN	ADX7504
Y 12	AWG18 BOARD IN	ADX7505

S TRANS 2-1 ASSY

MISCELLANEOUS

△ IC 3251(A,228,215)	PROTECTOR (7A)	AEK7021
△ IC 3252(A,239,164)	PROTECTOR (7A)	AEK7021
Q 3251(B,244,224)	CHIP TRANSISTOR	RN1901
Q 3252(B,253,224)	TRANSISTOR	UMD2N
Q 3253(B,261,224)	TRANSISTOR	UMD2N
△ D 3251(B,234,181)	BRIDGE DIODE	S1WB(A)60SD
D 3253(B,236,216)	DIODE	UDZS8R2(B)
D 3254(B,263,217)	DIODE	UDZS7R5(B)
D 3255(B,233,216)	DIODE	UDZS9R1(B)
D 3256(B,263,219)	DIODE	UDZS8R2(B)
D 3257(B,233,223)	DIODE	UDZS9R1(B)
D 3258(B,258,218)	DIODE	UDZS8R2(B)
D 3259(B,238,223)	DIODE	UDZS6R8(B)
D 3260(B,258,220)	DIODE	UDZS6R8(B)
D 3261(B,240,220)	DIODE	UDZS12(B)
D 3262(B,253,220)	DIODE	UDZS12(B)
D 3263(B,238,218)	DIODE	UDZS13(B)
D 3264(B,253,218)	DIODE	UDZS15(B)
D 3265(B,257,226)	DIODE	UDZS13(B)
D 3266(B,267,227)	DIODE	UDZS13(B)
J 3251	JUMPER WIRE	D20PDY0610E
3251(A,261,193)	6P CABLE HOLDER	51048-0600

RESISTORS

△ R 3253(A,248,192)	METAL OXIDE RESISTOR	RS1LMF472J
△ R 3254(A,263,212)	METAL OXIDE RESISTOR	RS1LMF472J
△ R 3255(A,245,195)	CARBON FILM RESISTOR	RD1/2LMF332J
△ R 3256(A,259,215)	CARBON FILM RESISTOR	RD1/2LMF332J

7	8	
Mark No.	Description	Part No.

CAPACITORS

C 3253(A,243,186)	ELECT. CAPACITOR	CEAT471M2A
C 3254(A,253,172)	ELECT. CAPACITOR	CEAT471M2A
C 3255(A,240,202)	ELECT. CAPACITOR	CEAT101M63
C 3256(A,240,213)	ELECT. CAPACITOR	CEAT101M63
C 3257(A,269,190)	ELECT. CAPACITOR	CEAT221M2A
C 3258(A,262,201)	ELECT. CAPACITOR	CEAT221M2A

T DIODE 1 ASSY

MISCELLANEOUS

△ D 3301(A,175,164)	DIODE	D5SBA20(B)
△ D 3302(A,175,199)	DIODE	D5SBA20(B)

RESISTORS

△ R 3301(A,194,172)	CARBON FILM RESISTOR	RD1/4MUF100J
---------------------	----------------------	--------------

CAPACITORS

C 3301(A,191,182)	FILM CAPACITOR	CFTLA104J2A
C 3302(A,196,177)	FILM CAPACITOR	CFTLA104J2A

U VH TR ASSY

MISCELLANEOUS

△ IC 3351(A,177,136)	IC PROTECTOR	ICP-N15
△ IC 3352(A,177,152)	IC PROTECTOR	ICP-N15
Q 3351(B,172,130)	CHIP TRANSISTOR	2SA1514K
△ Q 3352(A,162,135)	TRANSISTOR	2SB1186A
△ Q 3353(A,162,150)	TRANSISTOR	2SD1763A
Q 3354(B,172,145)	CHIP TRANSISTOR	2SC3906K
△ D 3351(B,173,141)	DIODE	1SR154-400
△ D 3352(B,176,157)	DIODE	1SR154-400
CN3351(A,184,138)	6P JUMPER CONNECTOR	52147-0610

RESISTORS

R 3351(B,179,129)		RS1/16S471J
R 3352(B,168,128)		RS1/16S100J
R 3353(B,168,143)		RS1/16S100J

W PS/SP ASSY

MISCELLANEOUS

Q 3001(B,161,85)	CHIP TRANSISTOR	DTC114TUA
Q 3002(B,229,97)	CHIP TRANSISTOR	DTC114TUA
Q 3003(B,247,90)	CHIP TRANSISTOR	DTC114TUA
Q 3004(B,290,84)	CHIP TRANSISTOR	DTC114TUA
Q 3005(B,212,99)	CHIP TRANSISTOR	DTC114TUA
D 3001(B,168,80)	DIODE	1SS355
D 3002(B,165,80)	DIODE	1SS355
D 3003(B,216,88)	DIODE	1SS355
D 3004(B,213,88)	DIODE	1SS355
D 3005(B,247,82)	DIODE	1SS355
D 3006(B,244,82)	DIODE	1SS355
D 3007(B,291,79)	DIODE	1SS355
D 3008(B,289,79)	DIODE	1SS355
D 3009(B,217,99)	DIODE	1SS355
D 3010(B,215,99)	DIODE	1SS355

Mark No. Description**Part No.**

L 3011(A,188,78) COIL (1 5 UH) ATH1053
 L 3021(A,146,69) COIL (1 5 UH) ATH1053
 L 3031(A,199,83) COIL (1 5 UH) ATH1053
 L 3041(A,258,82) COIL (1 5 UH) ATH1053
 L 3051(A,236,90) COIL (1 5 UH) ATH1053

L 3061(A,299,74) COIL (1 5 UH) ATH1053
 L 3071(A,280,84) COIL (1 5 UH) ATH1053
 J 3009(A,174,89) CONNECTOR ASSY PF13PG-R07
 KN3001(A,318,64) WRAPPING TERMINAL VNF1084
 RY3001(A,163,81) RELAY ASR7001

RY3002(A,211,89) RELAY ASR7001
 RY3003(A,242,83) RELAY ASR7001
 RY3004(A,286,82) RELAY ASR7001
 RY3005(A,219,103) RELAY ASR7001
 CN3001(A,190,33) SPEAKER TERMINAL 8-P AKE7119

CN3002(A,274,33) SPEAKER TERMINAL 6-P AKE7108
 CN3007(A,313,90) 5P PLUG KM200TA5
 CN3008(A,313,145) 9P PLUG KM200TA9
 Y 13 AWG14 BOARD IN ADX7512
 Y 8 AWG14 BOARD IN ADX7512

RESISTORS

△R 3011(A,187,68) METAL OXIDE RS1/2LMF4R7J
 △R 3012(A,175,64) METAL OXIDE RS1LMF100J
 △R 3013(A,193,94) METAL OXIDE RS2LMF331J
 △R 3021(A,148,79) METAL OXIDE RS1/2LMF4R7J
 △R 3022(A,152,51) METAL OXIDE RS1LMF100J

△R 3023(A,188,97) METAL OXIDE RS2LMF331J
 △R 3031(A,196,87) METAL OXIDE RS1/2LMF4R7J
 △R 3032(A,194,67) METAL OXIDE RS1LMF100J
 △R 3041(A,254,82) METAL OXIDE RS1/2LMF4R7J
 △R 3042(A,267,67) METAL OXIDE RS1LMF100J

△R 3051(A,240,93) METAL OXIDE RS1/2LMF4R7J
 △R 3052(A,237,79) METAL OXIDE RS1LMF100J
 △R 3061(A,309,63) METAL OXIDE RS1/2LMF4R7J
 △R 3062(A,313,73) METAL OXIDE RS1LMF100J
 △R 3071(A,280,88) METAL OXIDE RS1/2LMF4R7J

△R 3072(A,268,94) METAL OXIDE RS1LMF100J
 R 3101(A,222,115) CARBON FILM RD1/4MUF473J
 R 3102(A,252,115) CARBON FILM RD1/4MUF473J

CAPACITORS

C 3001(A,164,89) CEAT101M50
 C 3011(A,190,60) CFTLA104J50
 C 3012(A,203,53) CFTLA104J50
 C 3013(A,190,42) FILM CAPACITOR CQ MBA103J50
 C 3021(A,157,48) CFTLA104J50

C 3022(A,157,39) CFTLA104J50
 C 3023(A,169,42) FILM CAPACITOR CQ MBA103J50
 C 3031(A,205,66) CFTLA104J50
 C 3032(A,200,60) CFTLA104J50
 C 3033(A,211,42) FILM CAPACITOR CQ MBA103J50

C 3041(A,257,63) CFTLA104J50
 C 3042(A,253,57) CFTLA104J50
 C 3043(A,253,42) FILM CAPACITOR CQ MBA103J50
 C 3051(A,224,70) CFTLA104J50
 C 3052(A,230,70) CFTLA104J50

Mark No. Description**Part No.**

C 3053(A,232,42) FILM CAPACITOR CQ MBA103J50
 C 3061(A,308,58) CFTLA104J50
 C 3062(A,302,53) CFTLA104J50
 C 3063(A,295,42) FILM CAPACITOR CQ MBA103J50
 C 3071(A,274,70) CFTLA104J50

C 3072(A,279,65) CFTLA104J50
 C 3073(A,274,42) FILM CAPACITOR CQ MBA103J50
 C 3091(B,181,50) CKSRYB222K50
 C 3092(B,179,50) CKSRYB222K50
 C 3093(B,265,50) CKSRYB222K50

C 3094(B,263,50) CKSRYB222K50
 C 3096(B,318,55) CKSRYB222K50
 C 3101(A,212,137) 10000 UH/71 V ACH7255
 C 3102(A,258,137) 10000 UH/71 V ACH7255

**X TRANS 2-2 ASSY
MISCELLANEOUS**

H 3401(A,120,100) FUSE CLIP AKR7001
 H 3402(A,98,100) FUSE CLIP AKR7001
 H 3403(A,120,87) FUSE CLIP AKR7001
 H 3404(A,98,87) FUSE CLIP AKR7001
 H 3405(A,120,74) FUSE CLIP AKR7001

H 3406(A,98,74) FUSE CLIP AKR7001
 H 3407(A,119,57) FUSE CLIP AKR7001
 H 3408(A,97,57) FUSE CLIP AKR7001
 H 3409(A,120,45) FUSE CLIP AKR7001
 H 3410(A,98,45) FUSE CLIP AKR7001

J 3401(A,132,97) CONNECTOR ASSY PF12PG-R40

**Y TRANS SIDE ASSY
MISCELLANEOUS**

J 3201 JUMPER WIRE D20PDY0410E
 CN3202(A,60,8) CONNECTOR CKS3382
 CN3203(A,319,21) CONNECTOR B13B-PH
 3201(A,84,28) 4P CABLE HOLDER 51048-0400

**Z LOCAL P-SUPPLY ASSY
MISCELLANEOUS**

△IC 3502(A,120,181) PROTECTOR (1.6A) AEK7012
 △IC 3504(A,80,176) IC NJM78M05FA
 △IC 3505(A,80,226) REGULATOR IC NJM78M56FA
 △IC 3506(A,80,201) IC NJM79M05FA
 Q 3501(B,110,149) TRANSISTOR UMD2N

△Q 3502(A,80,151) TRANSISTOR 2SD1763A
 Q 3503(B,144,140) DIGITAL TRANSISTOR DTC124EUA
 △D 3501(B,120,163) DIODE 1SR154-400
 △D 3502(B,124,163) DIODE 1SR154-400
 △D 3503(B,128,163) DIODE 1SR154-400

D 3504(B,136,146) DIODE UDZS6R2(B)
 D 3505(B,138,146) DIODE UDZS6R2(B)
 D 3506(B,141,146) DIODE UDZS6R2(B)
 D 3507(B,143,146) DIODE UDZS6R2(B)
 D 3508(B,142,180) DIODE UDZS6R2(B)

△D 3509(B,108,160) DIODE 1SR154-400
 △D 3510(B,113,160) DIODE 1SR154-400
 D 3511(B,112,132) DIODE UDZS27(B)
 △D 3512(A,117,196) DIODE D3SBA20(B)
 D 3513(B,86,180) CHIP DIODE RB501V-40

5	6	
Mark No.	Description	Part No.
△ D 3514(A,95,181)	DIODE	MTZJ6R2(B)
D 3515(B,87,236)	CHIP DIODE	RB501V-40
D 3516(B,87,204)	CHIP DIODE	RB501V-40
D 3529(B,80,196)	DIODE	1SS355
J 35029P	JUMPER WIRE	D20PDY0915E
J 3503(A,152,132)	CONNECTOR ASSY	PF05PG-Q15
J 3504(A,160,239)	CONNECTOR ASSY	PF10PG-R07
J 3505(A,138,232)	CONNECTOR ASSY	PF09PG-R37
J 3506	JUMPER WIRE	D20PDY0410E
CN3501(A,141,151)	CONNECTOR	B12B-PH
3502(A,149,215)	9P CABLE HOLDER	51048-0900
3506(A,150,167)	4P CABLE HOLDER	51048-0400

RESISTORS

R 3501(B,120,152)	RS1/16S473J	
△ R 3503(A,127,156)	CARBON FILM	RD1/4MUF391J
R 3504(B,111,142)	RS1/16S472J	
R 3505(B,108,142)	RS1/16S101J	
R 3506(B,140,139)	RS1/16S222J	
△ R 3508(A,134,181)	CARBON FILM	RD1/4MUF4R7J

CAPACITORS

C 3501(A,150,148)	FILM CAPACITOR	CQMBA104J50
C 3502(A,122,168)	ELECT. CAPACITOR	CEANP101M35
C 3503(A,118,157)	ELECT. CAPACITOR	CEAT101M35
C 3504(A,123,147)	CEAT221M35	
C 3505(A,139,179)	CEAT101M16	
C 3506(A,133,145)	CEAT470M50	
C 3508(B,122,152)	CKSRYB103K50	
C 3510(A,110,171)	ELECT. CAPACITOR	CEANP102M16
C 3511(A,107,154)	ELECT. CAPACITOR	CEAT102M35
C 3512(A,109,135)	CEAT100M50	
C 3513(B,83,149)	CKSRYB102K50	
C 3514(A,145,136)	CEAT100M50	
C 3515(A,137,140)	ELECT. CAPACITOR	CEANP470M25
C 3516(A,122,187)	FILM CAPACITOR	CQMBA104J50
C 3517(B,83,175)	CKSRYB103K50	
C 3518(A,85,189)	CEAT221M16	
C 3519(A,117,208)	ELECT. CAPACITOR	CEAT682M16
C 3520(A,134,208)	ELECT. CAPACITOR	CEAT222M16
C 3521(B,83,224)	CKSRYB103K50	
C 3522(B,87,201)	CKSRYB103K50	
C 3523(A,88,227)	CEAT101M16	
C 3524(A,85,214)	CEAT101M16	

AA DC/DC ASSY MISCELLANEOUS

△ IC 651 (A,43,196)	REGULATOR IC	PQ1CG3032FZ
△ D 651 (B,45,207)	DIODE	RB051L-40
△ D 653 (A,38,152)	DIODE	D3SBA20(B)
△ D 654 (A,68,231)	DIODE	MTZJ6R2(B)
L 651 (A,50,212)	INDUCTOR	ATH7020
KN651 (A,40,181)	SCREW PLATE	VNE1948
CN651 (A,70,221)	3P TOP POST	B3B-EH
CN652 (A,70,166)	4P JUMPER CONNECTOR	52147-0410
651 (A,52,146)	PCB BINDER	VEF1040

7	8	
Mark No.	Description	Part No.
RESISTORS		
△ R 651 (A,64,164)	CARBON FILM	RD1/4MUF4R7J
R 652 (B,39,194)	CHIP METAL FILM	RN1/16SE1800D
R 653 (B,38,195)		RN1/16SE3001D
R 654 (B,41,192)		RN1/16SE1001D

CAPACITORS

C 651 (A,68,150)	FILM CAPACITOR	COMBA104J50
C 654 (A,59,176)	ELECT. CAPACITOR	CEAT103M16
C 655 (A,67,189)	ELECT. CAPACITOR	CEHAZL102M16
C 657 (A,55,226)	ELECT. CAPACITOR	CEHAZL102M6R3

AB IR I/O ASSY MISCELLANEOUS

Q 3751(B,34,66)	TRANSISTOR	2SD1664
D 3752(B,41,60)	DIODE	UDZS10(B)
KN3751(A,40,91)	SCREW PLATE	VNE1948
CN3701(A,58,46)	10P CONNECTOR	VKN1241
CN3702(A,74,44)	23P SOCKET	XKP3082
CN3703(A,28,43)	CONNECTOR	CKS3376

RESISTORS

R 3703(B,25,84)	RS1/16S0R0J	
R 3752(A,38,66)	CARBON FILM	RD1/4MUF391J
R 3755(B,48,62)	RS1/16S0R0J	

CAPACITORS

C 3701(B,49,81)	CKSRYB104K50
C 3702(B,27,84)	CCSRCH471J50
C 3752(A,38,61)	CEAT101M16
C 3753(B,26,71)	CKSRYB103K50
C 3754(B,24,71)	CKSRYB104K50
C 3755(B,28,71)	CKSRYB105K10
C 3756(B,67,56)	CKSRYB103K50
C 3757(B,71,58)	CCSRCH471J50

AC VIDEO CONNECT ASSY MISCELLANEOUS

CN3801(A,288,240)	CONNECTOR POST	S9B-PH
CN3802(A,298,175)	21P PLUG	XKP3070
CN3803(A,305,198)	15P PLUG	XKP3067
CN3804(A,308,222)	13P PLUG	XKP3066

POWER AMP ASSY MISCELLANEOUS

J 3	JUMPER WIRE	D20PDY0525E
Y 1	LEAD WITH HOUSING	ADX7459
Y 6	LEAD WITH HOUSING	ADX7498
Y 4	LEAD WITH HOUSING	ADX7460
Y 3	LEAD WITH HOUSING	ADX7458
Y 2	LEAD WITH HOUSING	ADX7457
Y 5	LEAD WITH HOUSING	ADX7404
C 5608(B,36,42)	CERAMIC 4P/200 V	ACG7057
C 5609(A,27,51)	ELECT. CAPACITOR	CEAT100M2A
C 5615(B,45,47)	CCSRCH220J50	
C 5616(B,42,49)	CCSRCH220J50	
C 5617(A,47,52)	CEAT331M10	

Mark No. Description

C 5623(A,69,58)
 C 5624(A,69,42)
 C 5632(B,28,39)
 C 5641(A,12,35)

Part No.

CEAT100M63
 CEAT100M63
 CKSRYB224K16
 CEANP2R2M50

Mark No. Description

D 5106(B,121,184) DIODE
 D 5141(B,91,188) DIODE
 D 5142(B,95,188) DIODE
 D 5143(B,95,202) DIODE
 D 5144(B,97,188) DIODE

Part No.

UDZS4R7(B)
 1SS355
 1SS355
 1SS355
 1SS355

D 5201(B,279,187) CHIP ZENER DIODE
 D 5202(B,276,187) DIODE
 D 5203(B,268,183) DIODE
 D 5204(B,261,183) DIODE
 D 5205(B,266,183) DIODE

UDZS3R6(B)
 1SS355
 1SS355
 1SS355
 UDZS4R7(B)

D 5206(B,263,183) DIODE
 D 5241(B,238,173) DIODE
 D 5242(B,240,173) DIODE
 D 5243(B,240,202) DIODE
 D 5244(B,242,173) DIODE

UDZS4R7(B)
 1SS355
 1SS355
 1SS355
 1SS355

CN5001(A,319,200) 13P SOCKET
 CN5002(A,85,214) 11P SOCKET
 CN5003(A,312,191) PLUG 6-P
 CN5004(A,176,224) CONNECTOR POST
 5001(A,160,225) PCB BINDER

XKP3077
 XKP3076
 KM250NA6L
 B2B-PH
 VEF1040

RESISTORS

R 5001(B,192,202)
 R 5002(B,180,202)
 R 5003(B,177,203)
 R 5004(B,192,205)
 R 5005(B,170,191)

RS1/16S102J
 RS1/16S221J
 RS1/16S333J
 RS1/16S103J
 RS1/16S152J

R 5006(B,168,198)
 R 5007(B,191,197)
 R 5008(B,179,194)
 R 5009(A,183,193) CARBON FILM RESISTOR
 R 5010(B,190,183)

RS1/16S821J
 RS1/16S2001F
 RS1/16S682J
 RD1/2VM473J
 RS1/16S151J

R 5011(B,188,184)
 R 5012(B,162,195)
 R 5013(B,183,150) CHIP RESISTOR
 R 5021(B,176,153)
 R 5022(B,190,153)

RN1/16SE1201D
 RS1/16S221J
 RS1/16S62R0F
 RS1/16S101J
 RS1/16S101J

△ R 5023(A,196,166) CARBON FILM RESISTOR
 △ R 5024(A,162,176) CARBON FILM RESISTOR
 △ R 5025(B,163,156) CHIP (0.047, 0.5 W)
 △ R 5026(B,200,156) CHIP (0.047, 0.5 W)
 △ R 5027(A,190,166) RESISTOR (0.18, 5 W)

RD1/4MUF4R7J
 RD1/4MUF4R7J
 ACN7132
 ACN7132
 ACN7121

R 5029(B,167,203)
 R 5030(B,173,203)
 R 5031(B,173,205)
 R 5032(B,160,195)
 R 5041(B,147,169)

RN1/10SE3302D
 RN1/16SE1001D
 RN1/16SE1500D
 RS1/16S151J
 RS1/16S473J

R 5042(B,149,169)
 R 5043(B,145,169)
 R 5044(B,151,169)
 R 5045(B,151,179)
 R 5046(B,154,179)

RS1/16S223J
 RS1/16S471J
 RS1/16S471J
 RS1/16S472J
 RS1/16S472J

R 5047(B,150,187)
 R 5048(B,151,183)
 R 5049(B,154,183)
 R 5050(B,152,187)
 R 5101(B,139,202)

RS1/16S122J
 RS1/16S154J
 RS1/16S103J
 RS1/16S103J
 RS1/16S102J

**V BRIDGE 1-L ASSY
MISCELLANEOUS**

CN5801(A,44,196) 23P PLUG XKP3071
 CN5802(A,69,196) 23P PLUG XKP3071
 CN5803(A,44,163) 9P PLUG XKP3064
 CN5804(A,69,163) 9P PLUG XKP3064
 5801(A,76,147) PCB BINDER VEF1040

**AD POWER AMP-L ASSY
MISCELLANEOUS**

△ IC 5001(A,174,135) DARLINGTON POWER IC SAP17N(OY)
 △ IC 5002(A,208,135) DARLINGTON POWER IC SAP17P(OY)
 △ IC 5101(A,106,135) DARLINGTON POWER IC SAP17N(OY)
 △ IC 5102(A,140,135) DARLINGTON POWER IC SAP17P(OY)
 △ IC 5201(A,242,135) DARLINGTON POWER IC SAP17N(OY)

△ IC 5202(A,276,135) DARLINGTON POWER IC SAP17P(OY)
 △ IC 5601(A,310,135) DARLINGTON POWER IC SAP17N(OY)
 Q 5001(B,186,207) CHIP TRANSISTOR 2SD2704K
 Q 5002(B,174,194) TRANSISTOR IMT4
 Q 5003(B,188,198) CHIP TRANSISTOR 2SA1514K

Q 5004(A,185,184) TRANSISTOR 2SA1145
 Q 5005(A,161,191) TRANSISTOR 2SC2705
 Q 5041(B,149,195) CHIP TR 2SA1255
 Q 5101(B,132,207) CHIP TRANSISTOR 2SD2704K
 Q 5102(B,120,194) TRANSISTOR IMT4

Q 5103(B,134,198) CHIP TRANSISTOR 2SA1514K
 Q 5104(A,131,184) TRANSISTOR 2SA1145
 Q 5105(A,108,191) TRANSISTOR 2SC2705
 Q 5141(B,91,201) CHIP TR 2SA1255
 Q 5201(B,274,206) CHIP TRANSISTOR 2SD2704K

Q 5202(B,262,193) TRANSISTOR IMT4
 Q 5203(B,276,197) CHIP TRANSISTOR 2SA1514K
 Q 5204(A,273,183) TRANSISTOR 2SA1145
 Q 5205(A,250,191) TRANSISTOR 2SC2705
 Q 5241(B,238,197) CHIP TR 2SA1255

D 5001(B,190,188) CHIP ZENER DIODE UDZS3R6(B)
 D 5002(B,188,188) DIODE 1SS355
 D 5003(B,180,184) DIODE 1SS355
 D 5004(B,172,184) DIODE 1SS355
 D 5005(B,177,184) DIODE UDZS4R7(B)

D 5006(B,175,184) DIODE UDZS4R7(B)
 D 5041(B,149,174) DIODE 1SS355
 D 5042(B,151,174) DIODE 1SS355
 D 5043(B,151,203) DIODE 1SS355
 D 5044(B,154,171) DIODE 1SS355

D 5101(B,137,188) CHIP ZENER DIODE UDZS3R6(B)
 D 5102(B,135,188) DIODE 1SS355
 D 5103(B,126,184) DIODE 1SS355
 D 5104(B,119,184) DIODE 1SS355
 D 5105(B,124,184) DIODE UDZS4R7(B)

5	6	7	8
Mark No.	Description	Part No.	Mark No. Description Part No.
R 5102(B,126,202)		RS1/16S221J	R 5244(B,241,169) RS1/16S471J
R 5103(B,123,203)		RS1/16S333J	R 5245(B,240,180) RS1/16S472J
R 5104(B,139,205)		RS1/16S103J	R 5246(B,242,180) RS1/16S472J
R 5105(B,116,191)		RS1/16S152J	R 5247(B,240,189) RS1/16S122J
R 5106(B,115,198)		RS1/16S821J	R 5248(B,237,180) RS1/16S154J
R 5107(B,138,197)		RS1/16S2001F	R 5249(B,242,184) RS1/16S103J
R 5108(B,126,194)		RS1/16S682J	R 5250(B,240,184) RS1/16S103J
R 5109(A,130,193) CARBON FILM RESISTOR	RD1/2VM473J	RD1/2VM473J	△ R 5292(B,300,156) CHIP (0.047, 0.5 W) ACN7132
R 5110(B,137,183)		RS1/16S151J	R 5613(B,317,154) CHIP RESISTOR RS1/16S62R0F
R 5111(B,135,184)		RN1/16SE1201D	R 5621(B,312,154) RS1/16S101J
R 5112(B,109,195)		RS1/16S221J	
R 5113(B,115,150) CHIP RESISTOR	RS1/16S62R0F	RS1/16S101J	
R 5121(B,108,153)		RS1/16S101J	
R 5122(B,129,150)		RD1/4MUF4R7J	
△ R 5123(A,138,166) CARBON FILM RESISTOR	RD1/4MUF4R7J	RD1/4MUF4R7J	
△ R 5124(A,108,176) CARBON FILM RESISTOR	RD1/4MUF4R7J	RD1/4MUF4R7J	
△ R 5125(B,99,156) CHIP (0.047, 0.5 W)	ACN7132	ACN7132	
△ R 5126(B,136,156) CHIP (0.047, 0.5 W)	ACN7132	ACN7132	
△ R 5127(A,132,166) RESISTOR (0.18, 5 W)	ACN7121	ACN7121	
R 5129(B,113,203)		RN1/10SE3302D	
R 5130(B,119,203)		RN1/16SE1001D	
R 5131(B,119,205)		RN1/16SE1500D	
R 5132(B,106,195)		RS1/16S151J	
R 5141(B,93,184)		RS1/16S473J	
R 5142(B,95,184)		RS1/16S223J	
R 5143(B,91,184)		RS1/16S471J	
R 5144(B,97,184)		RS1/16S471J	
R 5145(B,93,193)		RS1/16S472J	
R 5146(B,96,193)		RS1/16S472J	
R 5147(B,89,196)		RS1/16S122J	
R 5148(B,95,197)		RS1/16S154J	
R 5149(B,97,197)		RS1/16S103J	
R 5150(B,97,202)		RS1/16S103J	
R 5201(B,281,201)		RS1/16S102J	
R 5202(B,268,201)		RS1/16S221J	
R 5203(B,265,202)		RS1/16S333J	
R 5204(B,281,204)		RS1/16S103J	
R 5205(B,258,191)		RS1/16S152J	
R 5206(B,257,198)		RS1/16S821J	
R 5207(B,279,196)		RS1/16S2001F	
R 5208(B,268,193)		RS1/16S682J	
R 5209(A,271,192) CARBON FILM RESISTOR	RD1/2VM473J	RD1/2VM473J	
R 5210(B,278,183)		RS1/16S151J	
R 5211(B,276,183)		RN1/16SE1201D	
R 5212(B,251,195)		RS1/16S221J	
R 5213(B,257,149) CHIP RESISTOR	RS1/16S62R0F	RS1/16S62R0F	
R 5221(B,251,153)		RS1/16S101J	
R 5222(B,265,153)		RS1/16S101J	
△ R 5223(A,280,164) CARBON FILM RESISTOR	RD1/4MUF4R7J	RD1/4MUF4R7J	
△ R 5224(A,249,175) CARBON FILM RESISTOR	RD1/4MUF4R7J	RD1/4MUF4R7J	
△ R 5225(B,238,156) CHIP (0.047, 0.5 W)	ACN7132	ACN7132	
△ R 5226(B,276,156) CHIP (0.047, 0.5 W)	ACN7132	ACN7132	
△ R 5227(A,274,165) RESISTOR (0.18, 5 W)	ACN7121	ACN7121	
R 5229(B,255,202)		RN1/10SE3302D	
R 5230(B,261,202)		RN1/16SE1001D	
R 5231(B,261,204)		RN1/16SE1500D	
R 5232(B,248,195)		RS1/16S151J	
R 5241(B,237,169)		RS1/16S473J	
R 5242(B,239,169)		RS1/16S223J	
R 5243(B,235,169)		RS1/16S471J	
			CAPACITORS
			C 5001(A,183,203) CEAT4R7M50
			C 5002(B,177,200) CCSRCH221J50
			C 5004(B,167,194) CKSRYB102K50
			C 5007(A,195,193) CEAT101M10
			C 5008(B,164,195) CERAMIC 4P/200 V ACG7057
			C 5009(A,179,189) ELECT. CAPACITOR CEAT100M2A
			C 5011(B,169,142) CERAMIC 100P/200 V ACG7056
			C 5012(B,197,142) CERAMIC 100P/200 V ACG7056
			C 5015(B,168,205) CCSRCH220J50
			C 5016(B,168,207) CCSRCH220J50
			C 5017(A,172,207) CEAT331M10
			C 5023(A,190,180) CEAT100M63
			C 5024(A,166,184) CEAT100M63
			C 5032(B,162,199) CKSRYB224K16
			C 5041(A,147,190) CEANP2R2M50
			C 5051(A,217,183) ELECT. CAPACITOR CEAT100M2A
			C 5052(A,222,177) ELECT. CAPACITOR CEAT100M2A
			C 5101(A,129,203) CEAT4R7M50
			C 5102(B,123,200) CCSRCH221J50
			C 5104(B,113,194) CKSRYB102K50
			C 5107(A,141,193) CEAT101M10
			C 5108(B,111,195) CERAMIC 4P/200 V ACG7057
			C 5109(A,125,189) ELECT. CAPACITOR CEAT100M2A
			C 5111(B,101,142) CERAMIC 100P/200 V ACG7056
			C 5112(B,130,142) CERAMIC 100P/200 V ACG7056
			C 5115(B,115,205) CCSRCH220J50
			C 5116(B,115,207) CCSRCH220J50
			C 5117(A,119,207) CEAT331M10
			C 5123(A,137,180) CEAT100M63
			C 5124(A,112,184) CEAT100M63
			C 5132(B,108,199) CKSRYB224K16
			C 5141(A,88,191) CEANP2R2M50
			C 5201(A,271,202) CEAT4R7M50
			C 5202(B,265,199) CCSRCH221J50
			C 5204(B,255,194) CKSRYB102K50
			C 5207(A,283,192) CEAT101M10
			C 5208(B,253,195) CERAMIC 4P/200 V ACG7057
			C 5209(A,267,187) ELECT. CAPACITOR CEAT100M2A
			C 5211(B,243,142) CERAMIC 100P/200 V ACG7056
			C 5212(B,271,142) CERAMIC 100P/200 V ACG7056
			C 5215(B,257,204) CCSRCH220J50
			C 5216(B,257,206) CCSRCH220J50
			C 5217(A,261,206) CEAT331M10
			C 5223(A,287,181) CEAT100M63
			C 5224(A,255,184) CEAT100M63
			C 5232(B,250,199) CKSRYB224K16
			C 5241(A,237,192) CEANP2R2M50
			C 5611(B,307,142) CERAMIC 100P/200 V ACG7056

Mark No. Description**Part No.****Mark No. Description****Part No.****AE POSI 1-L ASSY****MISCELLANEOUS**

A	△ TH4501(A,54,223) POSISTOR	PTFM04BH222Q2N34B0	D 5443(B,94,41) DIODE	1SS355
	J 4501(A,66,220) CONNECTOR ASSY	PG02KS-E07	D 5444(B,97,58) DIODE	1SS355

AF POSI 2-L ASSY**MISCELLANEOUS**

	△ TH4502(A,79,235) POSISTOR	PTFM04BC222Q2N34B0	D 5501(B,280,59) CHIP ZENER DIODE	UDZS3R6(B)
	J 4502(A,76,223) CONNECTOR ASSY	PG02KS2E07	D 5502(B,277,59) DIODE	1SS355

AG POWER AMP-R ASSY**MISCELLANEOUS**

B	△ IC 5301(A,196,111) DARLINGTON POWER IC	SAP17N(OY)	D 5503(B,267,62) DIODE	1SS355
	△ IC 5302(A,162,111) DARLINGTON POWER IC	SAP17P(OY)	D 5504(B,261,62) DIODE	1SS355
	△ IC 5401(A,128,111) DARLINGTON POWER IC	SAP17N(OY)	D 5505(B,265,62) DIODE	UDZS4R7(B)
	△ IC 5402(A,94,111) DARLINGTON POWER IC	SAP17P(OY)	D 5506(B,263,62) DIODE	UDZS4R7(B)
	△ IC 5501(A,264,111) DARLINGTON POWER IC	SAP17N(OY)	D 5541(B,240,71) DIODE	1SS355

	△ IC 5502(A,230,111) DARLINGTON POWER IC	SAP17P(OY)	D 5542(B,238,71) DIODE	1SS355
	△ IC 5602(A,298,111) DARLINGTON POWER IC	SAP17P(OY)	D 5543(B,240,45) DIODE	1SS355
	Q 5301(B,186,38) CHIP TRANSISTOR	2SD2704K	D 5544(B,242,73) DIODE	1SS355
	Q 5302(B,176,52) TRANSISTOR	IMT4	CN5301(A,319,31) 13P SOCKET	XKP3077
	Q 5303(B,187,48) CHIP TRANSISTOR	2SA1514K	CN5302(A,85,45) 11P SOCKET	XKP3076

C	Q 5304(A,185,62) TRANSISTOR	2SA1145	CN5303(A,312,68) PLUG 6-P	KM250NA6L
	Q 5305(A,161,55) TRANSISTOR	2SC2705	CN5304(A,143,23) CONNECTOR POST	B2B-PH
	Q 5341(B,146,56) CHIP TR	2SA1255	5002(A,236,21) PCB BINDER	VEF1040
	Q 5401(B,132,38) CHIP TRANSISTOR	2SD2704K		
	Q 5402(B,122,52) TRANSISTOR	IMT4		

	Q 5403(B,133,48) CHIP TRANSISTOR	2SA1514K		
	Q 5404(A,131,62) TRANSISTOR	2SA1145		
	Q 5405(A,108,55) TRANSISTOR	2SC2705		
	Q 5441(B,91,45) CHIP TR	2SA1255		
	Q 5501(B,275,38) CHIP TRANSISTOR	2SD2704K		

D	Q 5502(B,266,52) TRANSISTOR	IMT4		
	Q 5503(B,277,48) CHIP TRANSISTOR	2SA1514K		
	Q 5504(A,274,63) TRANSISTOR	2SA1145		
	Q 5505(A,252,55) TRANSISTOR	2SC2705		
	Q 5541(B,239,49) CHIP TR	2SA1255		

	Q 5571(B,223,38) TRANSISTOR	2SC4081		
	Q 5572(B,220,38) TRANSISTOR	2SC4081		
	D 5301(B,191,58) CHIP ZENER DIODE	UDZS3R6(B)		
	D 5302(B,188,58) DIODE	1SS355		
	D 5303(B,180,62) DIODE	1SS355		

E	D 5304(B,173,62) DIODE	1SS355		
	D 5305(B,177,62) DIODE	UDZS4R7(B)		
	D 5306(B,175,62) DIODE	UDZS4R7(B)		
	D 5341(B,151,71) DIODE	1SS355		
	D 5342(B,149,71) DIODE	1SS355		

	D 5343(B,150,50) DIODE	1SS355		
	D 5344(B,153,71) DIODE	1SS355		
	D 5401(B,137,58) CHIP ZENER DIODE	UDZS3R6(B)		
	D 5402(B,135,58) DIODE	1SS355		
	D 5403(B,126,62) DIODE	1SS355		

F	D 5404(B,119,62) DIODE	1SS355		
	D 5405(B,124,62) DIODE	UDZS4R7(B)		
	D 5406(B,122,62) DIODE	UDZS4R7(B)		
	D 5441(B,95,58) DIODE	1SS355		
	D 5442(B,92,58) DIODE	1SS355		

	D 5504(B,261,62) DIODE	1SS355		
	D 5505(B,265,62) DIODE	UDZS4R7(B)		
	D 5506(B,263,62) DIODE	UDZS4R7(B)		
	D 5541(B,240,71) DIODE	1SS355		
	D 5542(B,238,71) DIODE	1SS355		

	D 5543(B,240,45) DIODE	1SS355		
	D 5544(B,242,73) DIODE	1SS355		
	CN5301(A,319,31) 13P SOCKET	XKP3077		
	CN5302(A,85,45) 11P SOCKET	XKP3076		
	CN5303(A,312,68) PLUG 6-P	KM250NA6L		

	CN5304(A,143,23) CONNECTOR POST	B2B-PH		
	5002(A,236,21) PCB BINDER	VEF1040		

RESISTORS

	R 5301(B,192,43)	RS1/16S102J
	R 5302(B,180,42)	RS1/16S221J
	R 5303(B,177,41)	RS1/16S333J
	R 5304(B,192,40)	RS1/16S103J
	R 5305(B,170,55)	RS1/16S152J

	R 5306(B,168,47)	RS1/16S821J
	R 5307(B,190,48)	RS1/16S2001F
	R 5308(B,179,54)	RS1/16S682J
	R 5309(A,183,48) CARBON FILM	RD1/2VM473J
	R 5310(B,191,62)	RS1/16S151J

	R 5311(B,188,62)	RN1/16SE1201D
	R 5312(B,162,51)	RS1/16S221J
	R 5313(B,183,97) CHIP RESISTOR	RS1/16S62R0F
	R 5321(B,190,93)	RS1/16S101J
	R 5322(B,176,93)	RS1/16S101J

	△ R 5323(A,196,79) CARBON FILM	RD1/4MUF4R7J
	△ R 5324(A,161,70) CARBON FILM	RD1/4MUF4R7J
	△ R 5325(B,203,91) CHIP (0.047, 0.5 W)	ACN7132
	△ R 5326(B,166,91) CHIP (0.047, 0.5 W)	ACN7132
	△ R 5327(A,172,80) RESISTOR (0.18, 5 W)	ACN7121

	R 5329(B,168,44)	RN1/10SE3302D
	R 5330(B,173,45)	RN1/16SE1001D
	R 5331(B,173,43)	RN1/16SE1500D
	R 5332(B,160,51)	RS1/16S151J
	R 5341(B,150,75)	RS1/16S473J

	R 5342(B,148,75)	RS1/16S223J
	R 5343(B,153,75)	RS1/16S471J
	R 5344(B,146,75)	RS1/16S471J
	R 5345(B,152,65)	RS1/16S472J
	R 5346(B,149,65)	RS1/16S472J

	R 5347(B,145,62)	RS1/16S122J
	R 5348(B,148,61)	RS1/16S154J
	R 5349(B,150,61)	RS1/16S103J
	R 5350(B,150,55)	RS1/16S103J
	R 5401(B,139,43)	RS1/16S102J

	R 5402(B,126,42)	RS1/16S221J
	R 5403(B,123,41)	RS1/16S333J
	R 5404(B,139,40)	RS1/16S103J
	R 5405(B,116,55)	RS1/16S152J
	R 5406(B,114,47)	RS1/16S821J

Mark No. Description**Part No.****Mark No. Description****Part No.****AH POSI 1-R ASSY****MISCELLANEOUS**

A	△ TH4503(A,54,235) POSISTOR	PTFM04BH222Q2N34B0			
	J 4551(A,66,232) CONNECTOR ASSY	PG02KS-E07			

R 5647(B,10,33)	RS1/16S122J
R 5648(B,45,25)	RS1/16S154J
R 5649(B,49,26)	RS1/16S103J
R 5650(B,51,26)	RS1/16S103J

CAPACITORS

C 5601(A,53,45)	CEAT4R7M50
C 5602(B,50,41)	CCSRCH221J50
C 5604(B,44,36)	CKSRYB102K50
C 5607(A,38,57)	CEAT101M10

AI POWER AMP IN ASSY**MISCELLANEOUS**

Q	5601(B,58,86) CHIP TRANSISTOR	2SD2704K
Q	5602(B,46,41) TRANSISTOR	IMT4
Q	5603(B,42,54) CHIP TRANSISTOR	2SA1514K
Q	5604(A,32,55) TRANSISTOR	2SA1145
Q	5605(A,33,38) TRANSISTOR	2SC2705

AJ POWER PROTECT ASSY**MISCELLANEOUS**

B	Q 5641(B,11,26) CHIP TR	2SA1255	BA4560RF
	D 5601(B,35,57) CHIP ZENER DIODE	UDZS3R6(B)	RT1N241M
	D 5602(B,35,53) DIODE	1SS355	RT1P241M
	D 5603(B,26,49) DIODE	1SS355	RT1N241M
	D 5604(B,23,44) DIODE	1SS355	2SC4081

IC 5701(B,19,110) OP-AMP IC	BA4560RF
Q 5701(B,26,161) TRANSISTOR	RT1N241M
Q 5702(B,16,161) DIGITAL TR (SC-70)	RT1P241M
Q 5703(B,16,151) TRANSISTOR	RT1N241M
Q 5704(B,33,100) TRANSISTOR	2SC4081

D	5605(B,23,47) DIODE	UDZS4R7(B)
D	5606(B,21,42) DIODE	UDZS4R7(B)
D	5641(B,18,23) DIODE	1SS355
D	5642(B,20,23) DIODE	1SS355
D	5643(B,13,21) DIODE	1SS355

Q 5705(B,23,161) TRANSISTOR	RT1N241M
Q 5706(B,12,161) DIGITAL TR (SC-70)	RT1P241M
D 5701(B,23,94) DIODE	1SS355
D 5702(B,30,205) DIODE	1SS355
CN5701(A,28,171) 11P PLUG	XKP3065

C	D 5644(B,28,23) DIODE	1SS355
	CN5601(A,71,64) 13P PLUG	XKP3066
	CN5602(A,56,31) 13P PLUG	XKP3066
	CN5603(A,76,131) 19P CONNECTOR	52044-1945
	CN5605(A,47,65) SOCKET 6-P	KP250NA6

CN5702(A,15,138) 11P PLUG	XKP3065
CN5703(A,8,85) 19P CONNECTOR	52044-1945
CN5704(A,37,83) CONNECTOR	S5B-PH
CN5705(A,30,223) 17P CONNECTOR	52044-1745
CN5706(A,38,222) 3PIN CONNECTOR	S3B-EH

C	CN5606(A,34,31) SOCKET 6-P	KP250NA6
	5604(A,7,50) 5P CABLE HOLDER	51048-0500

RESISTORS

R 5701(B,23,151)	RS1/16S562J
R 5702(B,21,151)	RS1/16S562J
R 5703(B,10,181)	RS1/16S473J
R 5705(B,18,187)	RS1/16S0R0J
R 5706(B,19,151)	RS1/16S822J

RESISTORS

R	5601(B,58,93)	RS1/16S102J
R	5602(B,54,41)	RS1/16S221J
D	R 5603(B,52,41)	RS1/16S333J
	R 5604(B,57,82)	RS1/16S103J
	R 5605(B,46,36)	RS1/16S152J

R 5707(B,18,181)	RS1/16S473J
R 5708(B,13,187)	RS1/16S0R0J
R 5710(B,17,118)	RS1/16S223J
R 5711(B,13,112)	RS1/16S103J
R 5712(B,13,108)	RS1/16S472J

R	5606(B,41,38)	RS1/16S821J
R	5607(B,42,59)	RS1/16S2001F
R	5608(B,42,42)	RS1/16S682J
R	5609(A,32,46) CARBON FILM RESISTOR	RD1/2VM473J
R	5610(B,30,59)	RS1/16S151J

R 5713(B,23,106)	RS1/16S103J
R 5714(B,24,131)	RS1/16S102J
R 5715(B,27,101)	RS1/16S473J
R 5716(B,29,101)	RS1/16S472J
R 5717(B,33,95)	RS1/16S103J

R	5611(B,33,59)	RN1/16SE1201D
R	5612(B,33,34)	RS1/16S221J
E	△ R 5623(A,65,58) CARBON FILM RESISTOR	RD1/4MUF4R7J
	△ R 5624(A,65,40) CARBON FILM RESISTOR	RD1/4MUF4R7J
	△ R 5627(A,19,56) RESISTOR (0.18, 5W)	ACN7121

R 5718(B,30,210)	RS1/16S104J
R 5720(B,31,95)	RS1/16S103J
R 5721(B,29,95)	RS1/16S683J
R 5746(B,20,181)	RS1/16S0R0J
R 5747(B,18,161)	RS1/16S0R0J

R	5629(B,47,48)	RN1/10SE3302D
R	5630(B,49,46)	RN1/16SE1001D
R	5631(B,49,51)	RN1/16SE1500D
R	5632(B,30,36)	RS1/16S151J
R	5641(B,14,43)	RS1/16S473J

R 5750(B,35,95)	RS1/16S0R0J
R 5751(B,26,131)	RS1/16S0R0J
R 5752(B,25,101)	RS1/16S0R0J

R	5642(B,17,33)	RS1/16S223J
R	5643(B,14,33)	RS1/16S471J
R	5644(B,15,38)	RS1/16S471J
F	R 5645(B,18,28)	RS1/16S472J
	R 5646(B,20,28)	RS1/16S472J

CAPACITORS

C 5701(B,13,181)	CKSRYB104K50
C 5702(B,15,181)	CKSRYB104K50
C 5703(B,23,110)	CKSRYB103K50
C 5704(B,23,114)	CKSRYB103K50
C 5705(B,31,101)	CKSRYB223K50

Mark No. Description**Part No.****Mark No. Description****Part No.**

R 732 (A,78,50)
R 733 (A,78,60)
R 741 (A,82,48)
R 742 (A,81,50)
R 743 (A,80,55)

RS1/16S0R0J
RS1/16S102J
RS1/16S1500F
RS1/16S0R0J
RS1/16S102J

C 429 (A,63,56)
C 430 (A,56,55)
C 431 (A,51,60)
C 432 (A,59,55)
C 433 (A,57,60)

CEJQ101M16
CKSRYB104K16
CEJQ100M16
CKSRYB104K16
CEJQ100M16

R 751 (A,86,48)
R 752 (A,85,50)
R 753 (A,86,60)
R 761 (A,89,48)
R 762 (A,88,50)

RS1/16S1500F
RS1/16S0R0J
RS1/16S102J
RS1/16S1500F
RS1/16S3R3J

C 434 (A,56,48)
C 435 (A,56,49)
C 436 (A,56,51)
C 437 (A,56,52)
C 438 (A,53,47)

CKSRYB102K50
CKSRYB104K16
DCH1201
CKSRYB104K16
CKSRYB104K16

R 763 (A,88,55)
R 771 (A,93,48)
R 772 (A,92,50)
R 773 (A,94,60)
R 781 (A,96,48)

RS1/16S102J
RS1/16S1500F
RS1/16S3R3J
RS1/16S102J
RS1/16S1500F

C 439 (A,53,51)
C 440 (A,50,49)
C 443 (A,47,40)
C 444 (A,52,17)
C 445 (A,50,34)

CKSRYB104K16
CKSRYB104K16
CKSRYB103K50
CEJQ101M16
CKSRYB104K16

R 782 (A,95,50)
R 783 (A,96,55)
R 1001(A,99,23)
R 1101(A,99,60)
R 1102(A,70,60)

RS1/16S3R3J
RS1/16S102J
RS1/10S0R0J
RS1/10S0R0J
RS1/10S0R0J

C 451 (A,101,52)
C 452 (A,103,55)
C 701 (A,107,39)
C 702 (A,107,45)
C 703 (A,89,29)

CCSRCH101J50
CCSRCH101J50
CEJQ101M16
CKSRYB104K16
CKSRYB104K16

CAPACITORS

C 101 (A,28,42)
C 102 (A,40,42)
C 103 (A,42,50)
C 104 (A,38,66)
C 105 (A,39,57)

CKSRYB104K16
CKSRYB104K16
CKSRYB104K16
CEJQ101M16
CKSRYB104K16

C 704 (A,93,36)
C 705 (A,94,43)
C 706 (A,89,45)
C 707 (A,86,45)
C 708 (A,83,45)

CKSRYB104K16
CKSRYB104K16
CKSRYB104K16
CKSRYB104K16
CKSRYB104K16

C 106 (A,30,57)
C 107 (A,28,55)
C 108 (A,28,50)
C 109 (A,28,45)
C 121 (A,39,33)
C 125 (A,41,14)

CKSRYB104K16
CKSRYB104K16
CKSRYB104K16
CKSRYB104K16
CKSRYB104K16
CKSRYB104K16

C 709 (A,77,46)
C 710 (A,100,45)
C 711 (A,100,39)
C 712 (A,79,44)
C 713 (A,77,34)

CKSRYB104K16
CKSRYB105K10
CEJQ101M16
CKSRYB104K16
CKSRYB103K50

C 191 (A,25,73)
C 192 (A,25,74)
C 351 (A,22,26)
C 391 (A,23,28)
C 392 (A,23,30)

CKSRYB104K16
CKSRYB102K50
CKSRYB104K16
CKSRYB104K16
CKSRYB102K50

C 714 (A,79,34)
C 731 (A,74,60)
C 741 (A,77,55)
C 751 (A,82,60)
C 761 (A,85,55)

CKSRYB104K16
CKSRYB104K16
CKSRYB104K16
CKSRYB104K16
CKSRYB104K16

C 401 (A,64,11)
C 402 (A,55,25)
C 403 (A,59,25)
C 404 (A,63,25)
C 405 (A,70,35)

CEJQ101M16
CKSRYB104K16
CKSRYB104K16
CKSRYB104K16
CKSRYB104K16

C 771 (A,90,60)
C 781 (A,93,55)
C 901 (A,92,20)
C 902 (A,92,17)
C 904 (A,80,17)

CKSRYB104K16
CKSRYB104K16
CKSRYB105K10
CKSRYB105K10
CKSRYB105K10

C 406 (A,76,24)
C 407 (A,72,24)
C 408 (A,73,29)
C 409 (A,72,39) CHIP CAPACITOR
C 410 (A,71,39)

CCSRCH7R0D50
CCSRCH7R0D50
CKSRYB104K16
CKSRYB823K25
CKSRYB103K50

C 905 (A,77,10)
C 906 (A,77,17)
C 1001(A,97,27)
C 1002(A,102,28)

CKSRYB471K50
CKSRYB225K10
CKSRYB104K16
CEJQ101M16

C 411 (A,71,42)
C 412 (A,72,43)
C 421 (A,71,49)
C 422 (A,69,49)
C 423 (A,67,49)

CKSRYB471K50
CKSRYB225K10
CKSRYB104K16
CKSRYB104K16
CKSRYB104K16

IC 701 (A,37,40) USB MEDIA CONTROL IC
△ IC 702 (A,63,35) REGULATOR IC
△ IC 703 (A,87,25) REGULATOR IC
IC 761 (A,63,46) SD-RAM (64M)
IC 762 (A,87,46) FLASH ROM

TCC760HC01-AG
MM1561JF
BD7802FP
HY57V641620ETP-6
AYW7088

C 424 (A,64,49)
C 425 (A,64,50)
C 426 (A,65,52)
C 427 (A,62,50)
C 428 (A,61,48)

CKSRYB102K50
CKSRYB104K16
DCH1201
CKSRYB104K16
CKSRYB104K16

IC 9762 FLASH MEMORY IC
IC 771 (A,58,59) LOAD SWITCHING
IC 781 (A,37,16) AUDIO DAC
IC 951 (A,67,28) IC
IC 953 (A,52,25) IC

S29AL016D70TFI010
AAT4618IGV-0.5-1
AK4387ET
TC74VHCT08AFTS1
TC74VHC08FTS1

**AL USB ASSY
MISCELLANEOUS**

5			6			7			8		
Mark No.	Description	Part No.	Mark No.	Description	Part No.	Mark No.	Description	Part No.	Mark No.	Description	Part No.
Q 782	(B,94,44) CHIP TRANSISTOR	DTC114YUA				R 788	(A,44,21)	RS1/16S4R7J			
Q 783	(B,92,38) TRANSISTOR	2SA1576A				R 789	(A,74,25)	RS1/16S471J			
Q 784	(B,87,32) TRANSISTOR	IMX9				R 790	(A,79,23)	RS1/16S471J			A
L 701	(B,27,42) INDUCTOR	LCTC100K1608				R 791	(B,83,34)	RS1/16S104J			
L 702	(B,34,33) CHIP SOLID INDUCTOR	QTL1013				R 792	(B,90,30)	RS1/16S104J			
L 703	(A,24,30) CHIP SOLID INDUCTOR	QTL1013				R 793	(B,83,30)	RS1/16S101J			
L 704	(B,53,56) CHIP SOLID INDUCTOR	QTL1013				R 794	(B,90,34)	RS1/16S101J			
L 705	(B,28,38) CHIP FERRITE BEADS	VTL1169				R 795	(A,87,33)	RS1/16S222J			
L 731	(A,28,60) CHIP FERRITE BEADS	VTL1169				R 796	(A,87,30)	RS1/16S222J			
L 733	(A,36,56) COIL	VTH1043				R 797	(B,92,44)	RS1/16S102J			
L 761	(B,78,47) CHIP SOLID INDUCTOR	QTL1013				R 798	(B,95,38)	RS1/16S102J			
L 762	(B,85,44) CHIP SOLID INDUCTOR	QTL1013				R 799	(B,90,38)	RS1/16S103J			
L 781	(B,46,19) CHIP SOLID INDUCTOR	QTL1013				R 951	(B,43,26)	RS1/16S472J			
L 951	(A,59,30) CHIP SOLID INDUCTOR	QTL1013				R 952	(A,62,31)	RS1/16S472J			B
L 953	(A,72,37) CHIP SOLID INDUCTOR	QTL1013				R 966	(A,72,32)	RS1/16S101J			
X 701	(A,23,42) CRYSTAL OSCILLATOR	CSS1614				R 972	(A,62,28)	RS1/16S101J			
CN701	(A,33,60) CONNECTOR	B4B-PH-K-S				R 973	(A,73,29)	RS1/16S101J			
CN702	(A,87,16) 15P SOCKET	XKP3078				R 977	(A,47,25)	RS1/16S101J			
						R 978	(A,47,28)	RS1/16S101J			
						R 979	(B,58,27)	RS1/16S101J			
						R 980	(B,60,27)	RS1/16S101J			
RESISTORS						CAPACITORS					
R 702	(A,43,55)	RS1/16S473J				C 701	(A,49,36)	CKSRBY104K16			C
R 703	(A,38,53)	RS1/16S0R0J				C 702	(A,47,36)	CCSRCH471J50			
R 704	(A,35,53)	RS1/16S0R0J				C 703	(A,49,40)	CKSRBY104K16			
R 705	(A,30,54)	RS1/16S470J				C 704	(A,47,40)	CCSRCH471J50			
R 706	(A,30,52)	RS1/16S470J				C 705	(A,49,44)	CKSRBY104K16			
R 707	(B,32,48)	RS1/16S470J				C 706	(A,47,44)	CCSRCH471J50			
R 708	(B,22,51)	RS1/16S470J				C 707	(A,45,51)	CKSRBY104K16			
R 709	(B,23,41)	RS1/16S0R0J				C 708	(A,45,50)	CCSRCH471J50			
R 710	(B,35,42)	RS1/16S0R0J				C 709	(A,30,51)	CKSRBY104K16			
R 711	(B,37,42)	RS1/16S472J				C 710	(A,30,50)	CCSRCH471J50			
R 712	(A,27,43)	RS1/16S475J				C 711	(B,30,45)	CKSRBY104K16			
R 717	(A,31,29)	RS1/16S473J				C 712	(B,27,45)	CCSRCH471J50			D
R 718	(A,36,25)	RS1/16S101J				C 713	(A,26,46)	CCSRCH120J50			
R 719	(A,35,25)	RS1/16S101J				C 714	(A,26,39)	CCSRCH120J50			
R 720	(A,35,21)	RS1/16S101J				C 715	(B,26,38)	CKSRBY331K50			
R 724	(A,39,21)	RS1/16S472J				C 716	(B,32,33)	CKSRBY104K16			
R 725	(A,44,25)	RS1/16S472J				C 717	(B,30,33)	CCSRCH471J50			
R 726	(A,42,21)	RS1/16S472J				C 719	(A,25,36)	CCSRCH471J50			
R 727	(A,33,21)	RS1/16S101J				C 720	(B,23,30)	CKSRBY104K16			
R 729	(B,30,38)	RS1/16S103J				C 721	(A,24,24)	CEJQ101M6R3			
R 730	(B,39,33)	RS1/16S102J				C 723	(A,37,27)	CCSRCH471J50			
R 734	(A,43,58)	RS1/16S0R0J				C 724	(A,37,29)	CKSRBY104K16			E
R 735	(A,32,55)	RS1/16S153J				C 726	(A,34,27)	CKSRBY104K16			
R 736	(A,40,55)	RS1/16S153J				C 727	(A,34,29)	CCSRCH471J50			
R 737	(A,34,55)	RS1/16S100J				C 728	(A,41,28)	CKSRBY104K16			
R 741	(B,79,23)	RS1/16S101J				C 729	(A,41,29)	CCSRCH471J50			
R 744	(A,77,20)	RS1/16S101J				C 730	(B,60,34)	CCSRCH471J50			
R 745	(A,76,21)	RS1/16S101J				C 731	(A,25,55)	CEJQ101M16			
R 746	(A,74,20)	RS1/16S101J				C 732	(B,29,55)	CKSRBY104K16			
R 747	(A,72,20)	RS1/16S101J				C 733	(B,29,60)	CKSRBY104K16			
R 748	(A,71,20)	RS1/16S101J				C 734	(B,41,32)	CKSRBY103K50			
R 755	(A,26,45)	RS1/16S0R0J				C 735	(B,37,33)	CKSRBY103K50			
R 756	(A,26,41)	RS1/16S472J				C 741	(A,92,19)	CEJQ101M16			F
R 757	(A,43,60)	RS1/16S0R0J				C 742	(B,96,20)	CKSRBY104K16			
R 771	(A,61,56)	RS1/16S221J				C 743	(A,96,32)	CKSRBY105K6R3			
R 772	(A,58,56)	RS1/16S104J									
R 773	(A,71,59)	RS1/16S0R0J									
R 784	(A,30,21)	RS1/16S470J									
R 786	(A,41,21)	RS1/16S470J									

Mark No. Description

Part No.

6. ADJUSTMENT

• There is no information to be shown in this chapter.

A

C 745 (B,64,35)
C 746 (A,53,32)
C 761 (B,71,46)
C 762 (B,73,46)
C 763 (B,67,46)

CKSRYB105K6R3
CKSQYB225K10
CKSRYB104K16
CCSRCH471J50
CCSRCH471J50

C 764 (B,65,46)
C 766 (B,52,50)
C 767 (B,80,44)
C 768 (B,82,44)
C 771 (A,62,60)

CCSRCH471J50
CCSRCH471J50
CKSRYB104K16
CCSRCH471J50
CKSQYB105K16

B

C 773 (A,55,60)
C 781 (A,44,17)
C 782 (A,45,19)
C 783 (A,49,19)
C 784 (A,45,16)

CKSRYB104K16
CCSRCH471J50
CKSRYB104K16
CEJQ470M16
CKSRYB104K16

C 786 (A,55,16)
C 788 (A,42,18)
C 789 (A,77,26)
C 790 (A,79,25)
C 791 (A,75,31)

CEJQ100M16
CKSRYB104K16
CKSRYB102K50
CKSRYB102K50
CEJQ100M16

C

C 792 (A,81,31)
C 951 (A,58,27)
C 952 (A,59,27)
C 956 (A,70,34)
C 957 (A,70,33)

CEJQ100M16
CCSRCH471J50
CKSRYB105K10
CKSQYB105K10
CCSRCH471J50

D

E

F

7. GENERAL INFORMATION

7.1 DIAGNOSIS

7.1.1 TEST MODE

Version indication

[Purpose]

The versions for various microcomputers and DSP firmware are displayed.

[How to enter/exit]

During Standby mode, simultaneously press and hold the STANDBY/ON and SOUND RETRIEVER keys for 5 seconds to enter this mode. This mode is automatically exited when the indications of all versions have finished.

[Basic operations]

FL Display	Description of Version Indications	Duration (sec.)	Devices that can be considered generally normal, with the corresponding indications
POWER OFF ↓ M1.000 F1.000 ↓ PPP.05 ↓ USB 2006. 1. 9 ↓ Normal display	Mx.xxx : Main microcomputer Fx.xxx : Display microcomputer PPP.xx : DSP firmware USB xxxx.xx.xx : USB firmware	5 5 5	Main microcomputer and display microcomputer DSP firmware (in Main microcomputer) USB firmware : Flash ROM (IC762) near the USB IC (IC701)

[Notes]

1. If the version indication becomes "***," a failure in communications between the corresponding microcomputers or a failure in the corresponding microcomputers is likely.
2. In this submode, the user settings will not be cleared.
3. If the USB firmware version indication becomes "***," return the unit to Normal mode, switch Function to USB, then reenter Test mode and check the USB firmware version. If the indication becomes "****" again, communication between the main microcomputer and the USB firmware is in failure.

■ Detected protection history

[Purpose]

The numbers of detections for various protection processes are displayed.

[How to enter/exit]

During Standby mode, simultaneously press and hold the DVR/VCR1 and ENTER keys for 5 seconds to enter this mode. This mode is automatically exited when all the indications have finished.

[Basic operations]

FL Display	Description of Indications	Duration (sec.)
POWER OFF ↓ DC : 000	Number of DC detections	3
↓ OVER: 010	Number of overload detections	3
↓ CON : 002	Number of detections of cord disconnection (DC and OL DET line) (simultaneous detections of DC and OVERLOAD)	3
↓ FAN : 002	Number of detections of fan abnormalities	3
↓ TEMP: 255	Number of detections of abnormal temperature	3
↓ Normal display		

[Description]

When the keys are pressed, the numbers of DC detections, overload detections, detections of connectors disconnection inside unit (It is detected by both DC and OVERLOAD detections.), detections of fan abnormalities, and detections of abnormal temperature are displayed for 3 seconds each, in that order.

The maximum value of each detections is 255.

■ Error indications when an abnormality in the amplifier system is detected

[Purpose]

An error message is displayed when an abnormality in the amplifier system is detected.

[Error Messages]

FL Display	Status	Duration (sec.)
AMP ERROR	When AMP DC is detected	Flashes 3 times.
FAN STOP	When stopping of the fan is detected	Flashes 3 times.
OVERHEAT	When a thermal shutdown (abnormal temperature), etc. is detected	Flashes 3 times.
12V TRG ERR 80TXV types only	When the 12-V trigger circuit is short-circuited	Flashes
XM ANT ERR KUXJ and KUXJCA types only	The power supply of the XM antenna is abnormally	Flashes

[Description]

AMP ERROR : After a failure in the amplifier block or high DC output is detected, the shutdown process starts, then the power will be shut off. Then the MCACC LED will flash. The power cannot be turned on again. If you wish to turn on the unit after a shutdown activated by DC detection, enter Test mode, by proceeding with the steps described in "How to enter release mode" below.

FAN STOP : The fan does not function.

OVERHEAT : The temperature of the amplifier is abnormally high.

After a failure is detected, the shutdown process starts, then the power will be off. The power can be turned on again in Normal mode.

12V TRG ERR : The 12-V trigger output is short-circuited.
(KUXJ and KUXJCA types only)

XM ANT ERR : The power supply of the XM antenna is abnormally.
(KUXJ and KUXJCA types only)

[How to enter release mode]

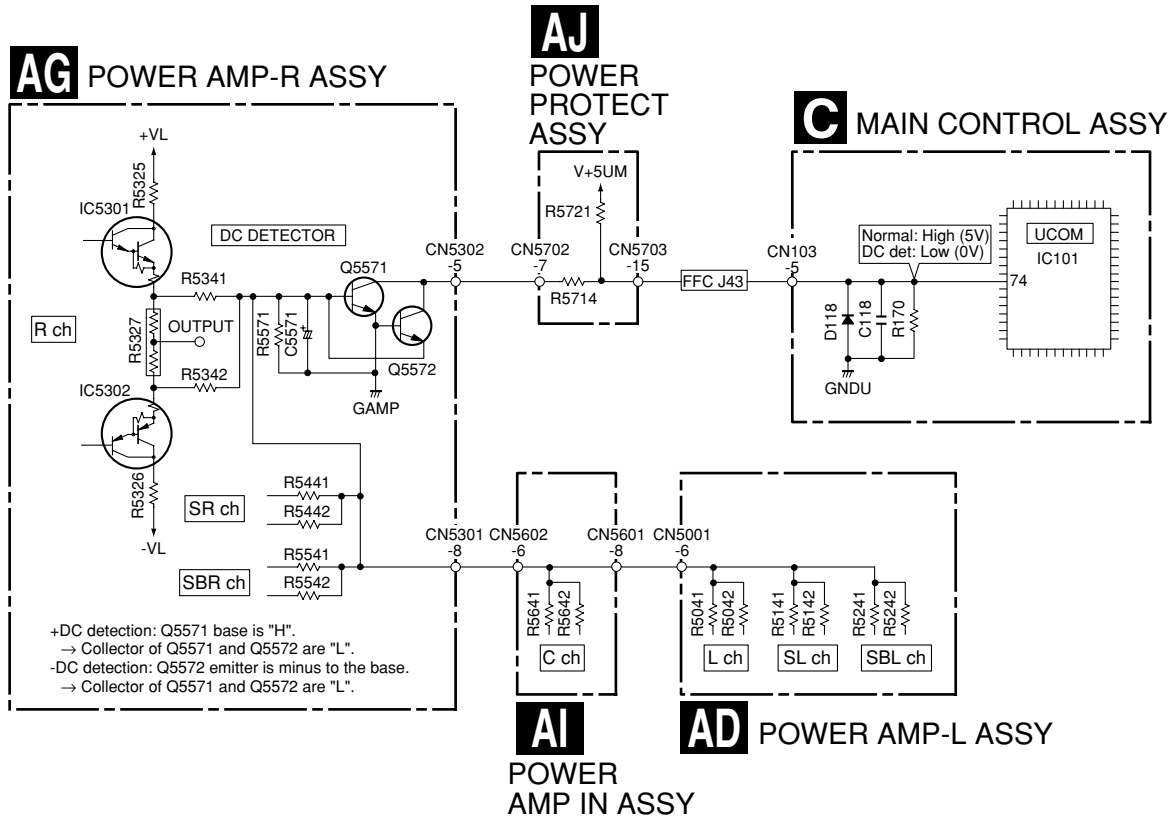
Press and hold **DVR/VCR2** and **ENTER** keys on the front panel simultaneously for 5 seconds in standby mode.

7.1.2 PROTECTION CIRCUIT SPECIFICATION

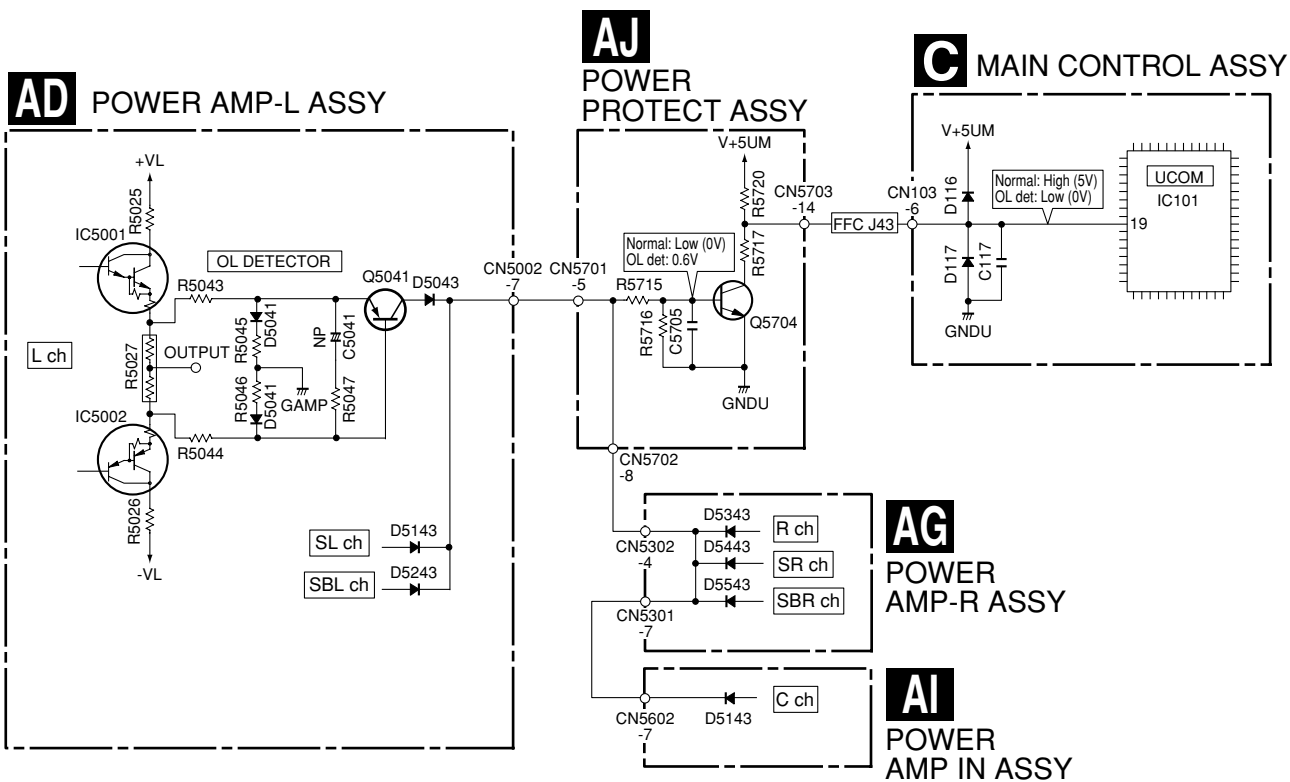
● Protection Circuit Process List

Item	Purpose	Detection Method	Process	Warning Indication	Remarks
DC detection	To detect amplifier damage (defect status) A process to protect speakers (for protection of connected external devices)	Detects when the DC_PROTECT port becomes "L". (Pin 74 of IC101)	Turns muting on and speaker relay off, then turns off the power after 3 seconds. Then flashes MCACC indicator.	Flashing "AMP ERR" for 3 seconds.	Once detected and turned the power off, input a key never again. If the DC_DET port becomes "H" within 3 seconds, the unit returns to normal condition automatically.
AMP overload	To detect overloading (abnormal status) With low-load driving or a short circuit of the speaker terminals (for protection of the amplifier)	Detects when the OL_DET port becomes "L" (checks by interrupt). (Pin 19 of IC101)	Turns muting on and speaker relay off, and immediately turns off the power. Then flashes PHASE CONTROL indicator.	None	
Overheat detection	Self reset type protection feature by temperature-rise of heat sink	Detects when the TEMP2 port becomes "H". (Pin 44 of IC2301)	Turns muting on and speaker relay off, then turns off the power after 3 seconds.	Flashing "OVERHEAT" for 3 seconds.	If the TEMP2 port becomes "L" within 3 seconds, the unit returns to normal condition automatically.
12V trigger failure detection	To detect the shortcircuit of 12V trigger output (load more than 50mA) (for protection of the amplifier)	Detects when the 12VDET port becomes "H". (Pin 41 of IC2301)	Turns 12V trigger output to off.	Flashing "12V TRG ERR"	Continue showing warning. Release the FL indication by switching the INPUT SEL or the turns the power off.

● DC Detection Circuit



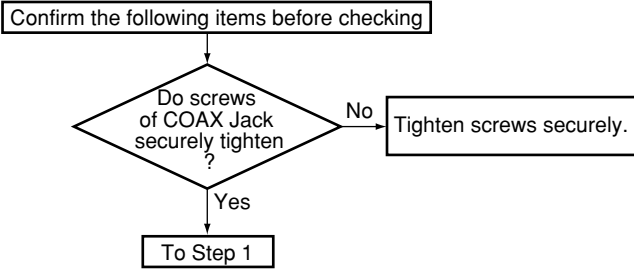
● OL (Over Load) Detection Circuit



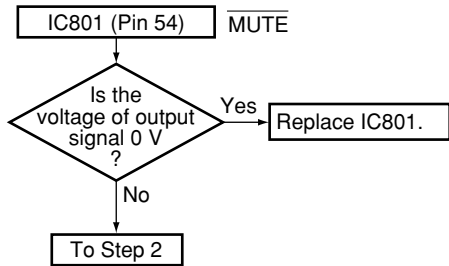
Troubleshooting for all destination

- When a sound is not out in the multi-CH signal playback mode or surround mode with the digital signal input. (SurroundBack is not output by setting.)
- Suppose CR to be poor contact and that is not damaged.
- This shows failure analysis of DSP Assy.

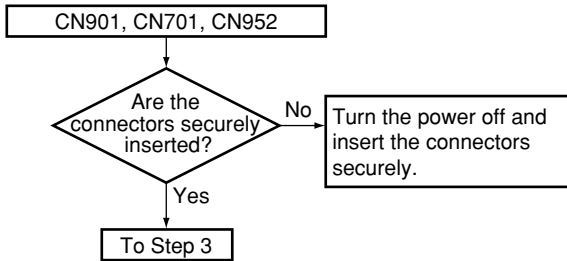
Step 0: Preliminary confirmation



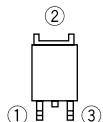
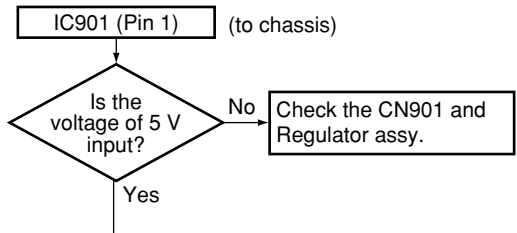
Step 1: MUTE pin



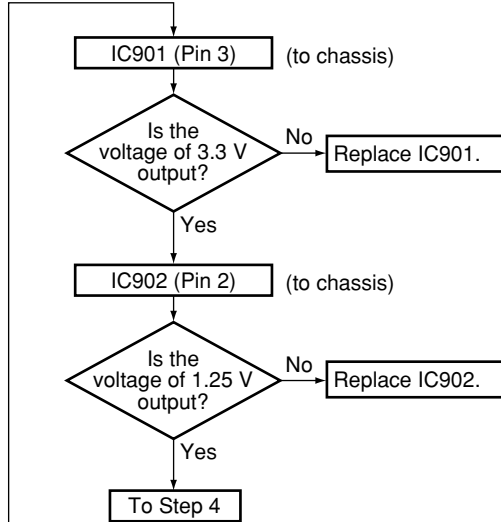
Step 2: BtoB connector



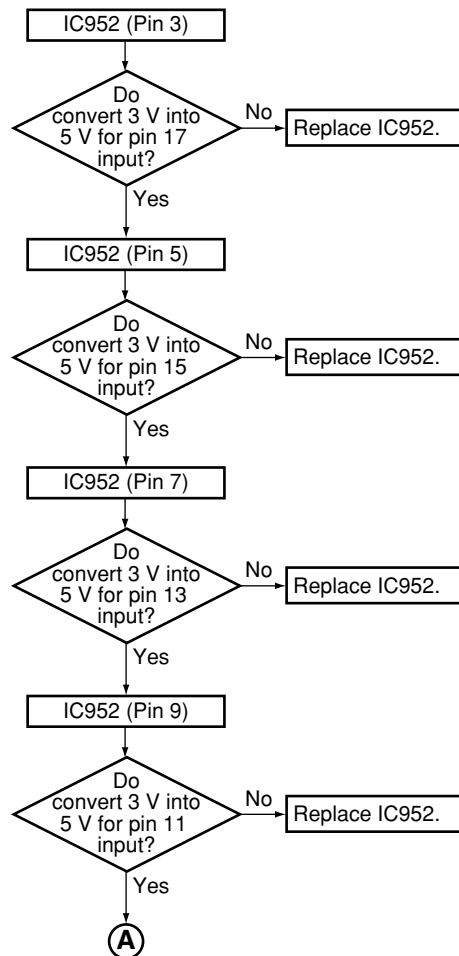
Step 3: Regulator IC

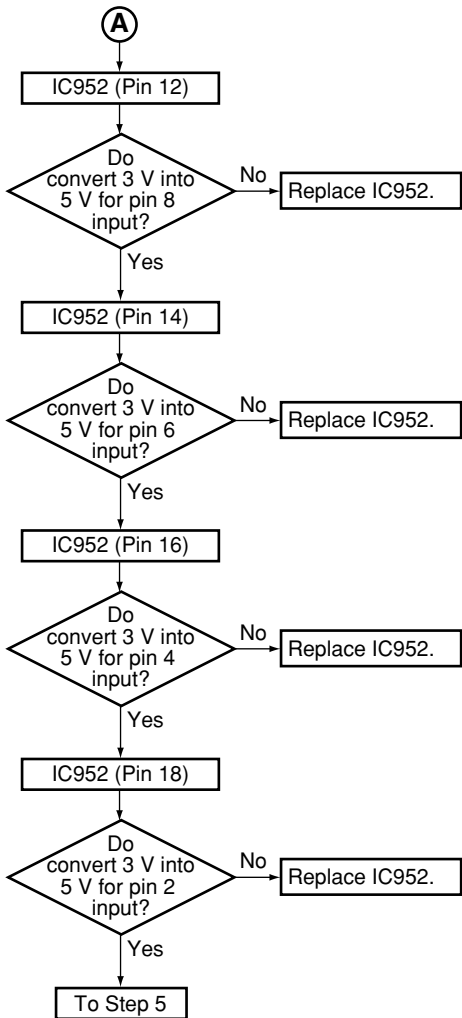


Part shape and Pin arrangement of IC901 and IC902



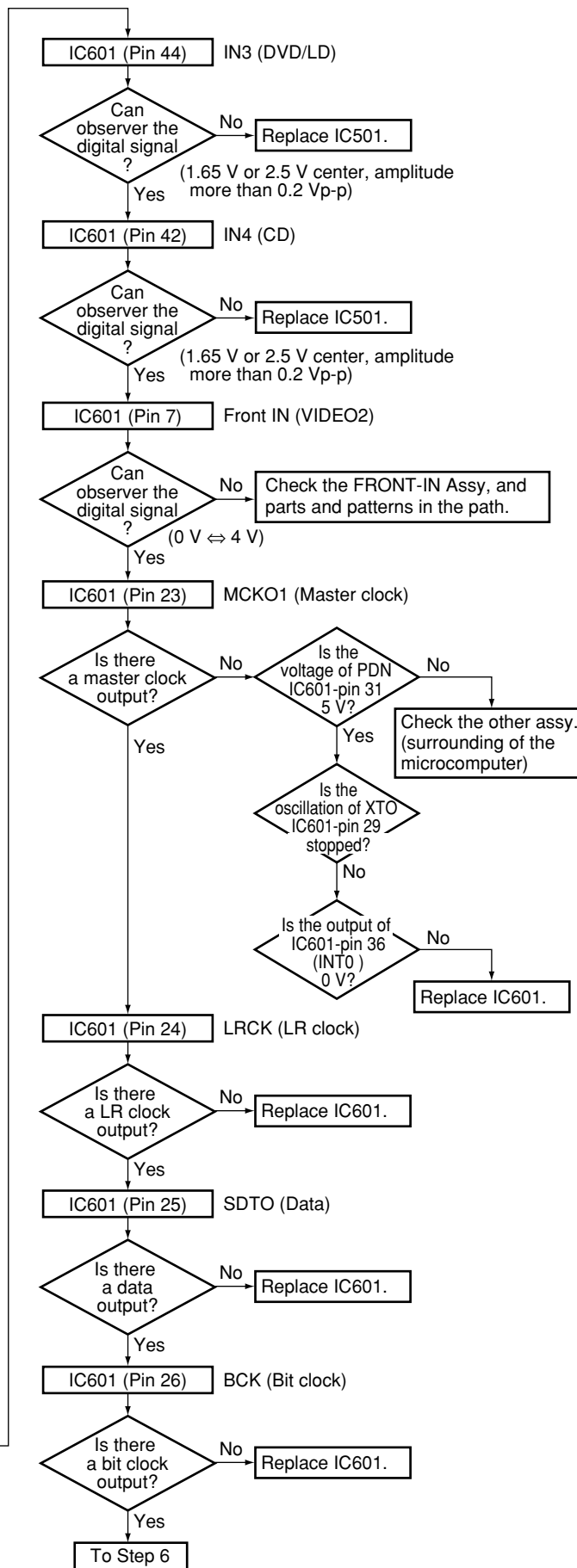
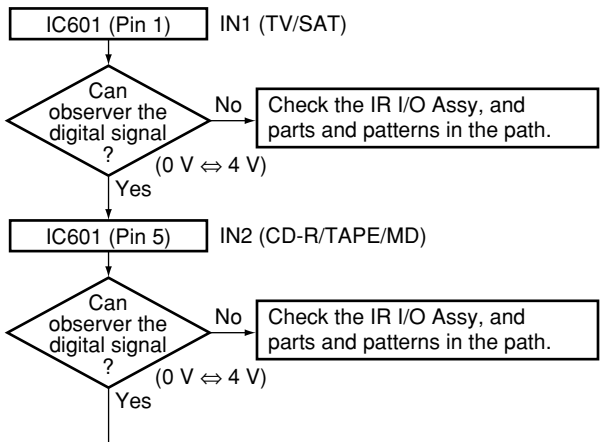
Step 4: 3 V to 5 V conversion





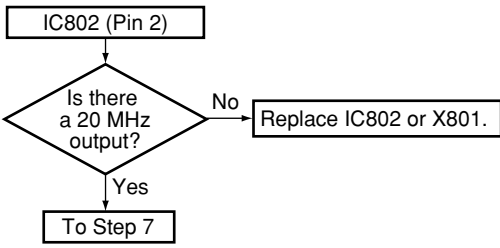
Step 5: DIR

Check that the SPDIF signal is output.
Check that changes by pulling out and inserting the digital input lines.



A

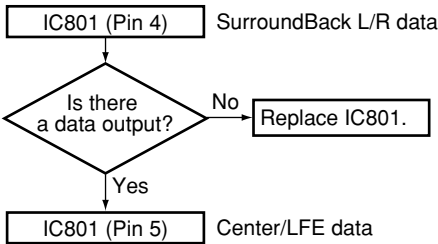
Step 6: X'tal



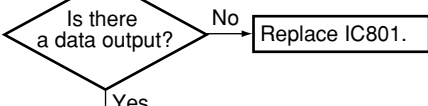
B

Step 7: DSP output (digital)

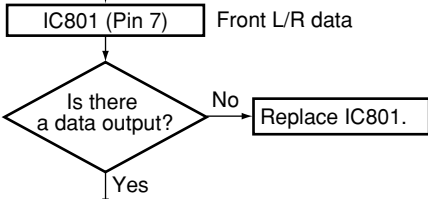
Digital output of each CH when inputting the digital signal with audio.



C

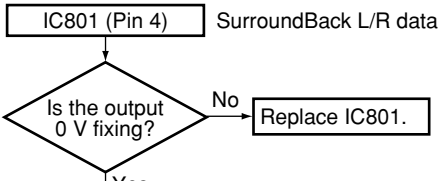


D

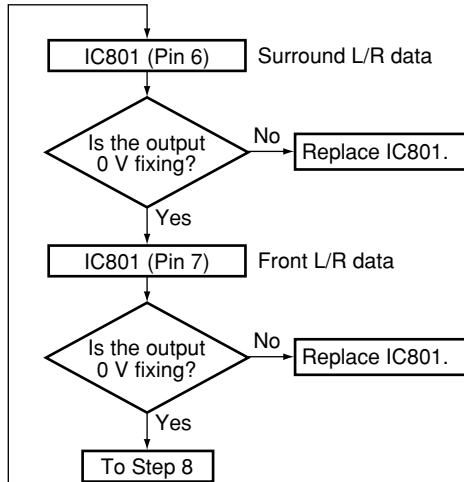
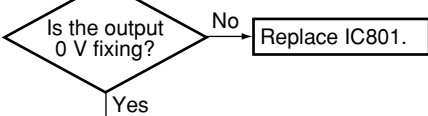


Digital output of each CH when inputting the digital signal (-∞ dB (no audio)).

E

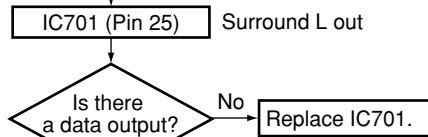
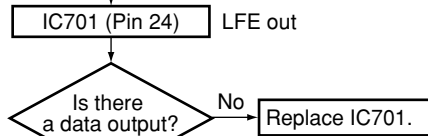
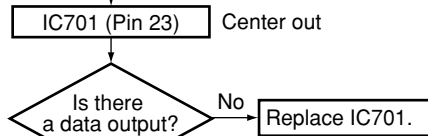
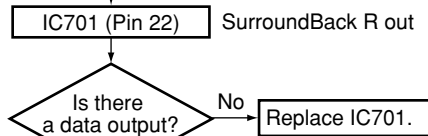
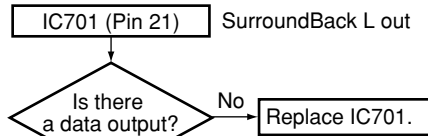


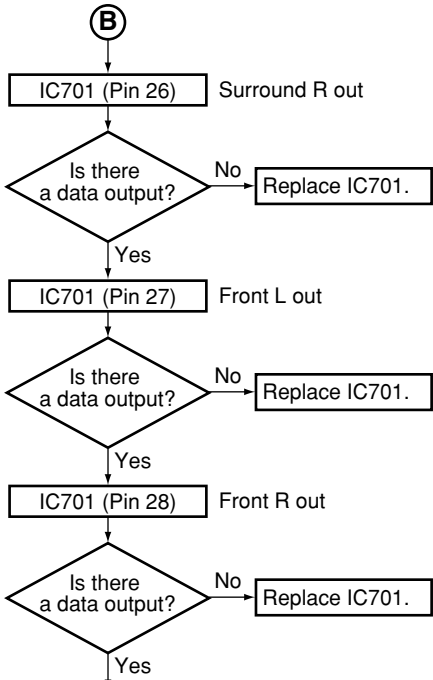
F



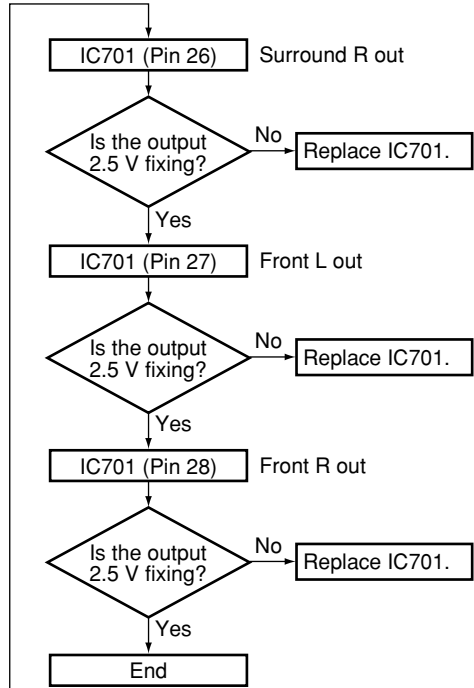
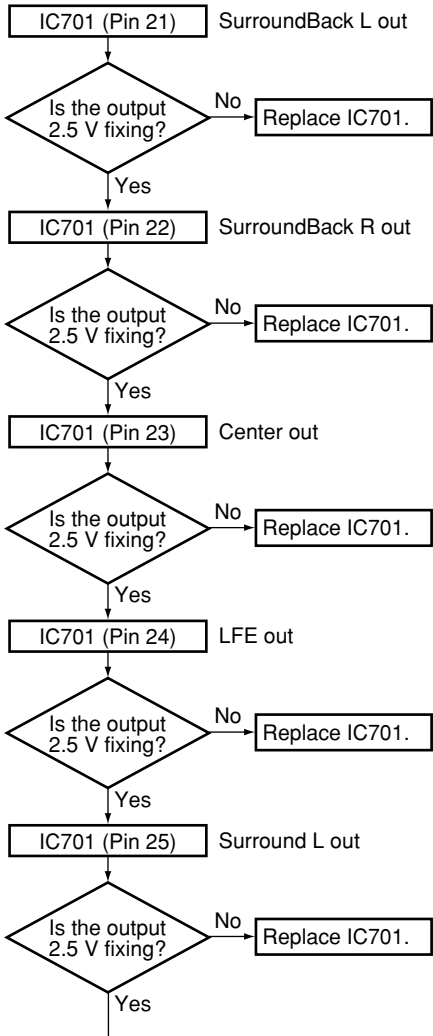
Step 8: Codec output (analog)

Analog output of each CH when inputting the digital signal with audio.





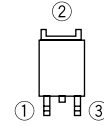
Analog output of each CH when inputting the digital signal (-∞ dB (no audio)).



A

■ Troubleshooting in the XM mode (AWX8699 only)

- When a sound is not output in the XM antenna input.
- Suppose CR to be poor contact and that is not damaged.
- This shows failure analysis of DSP Assy.

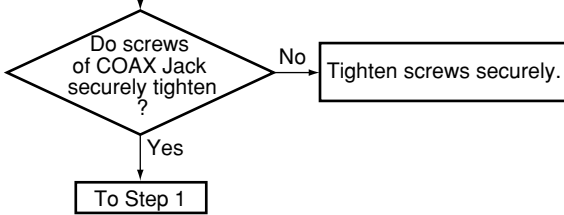


Part shape and Pin arrangement of IC901 and IC902

B

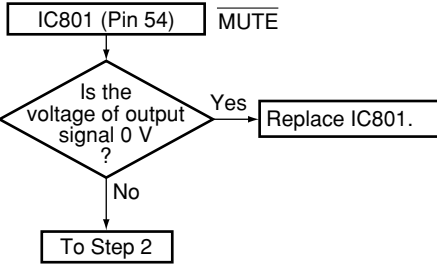
Step 0: Preliminary confirmation

Confirm the following items before checking



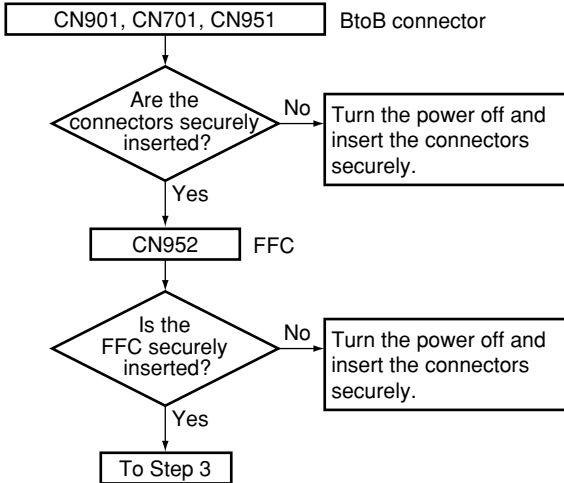
C

Step 1: MUTE pin



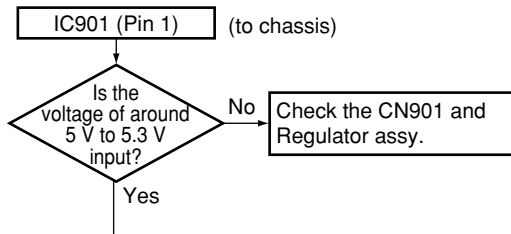
D

Step 2: BtoB connector and FFC

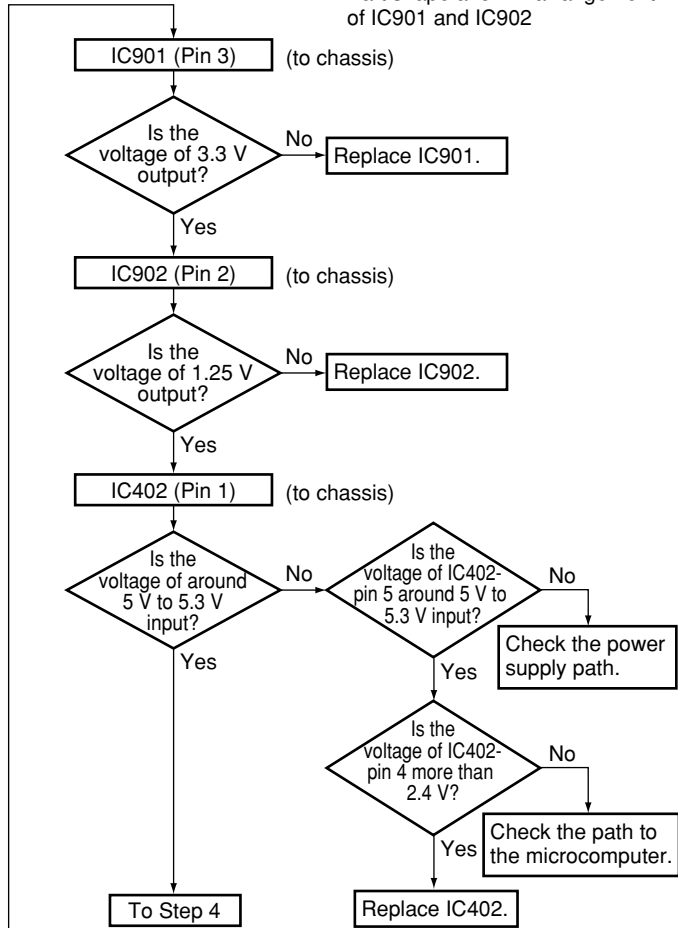


E

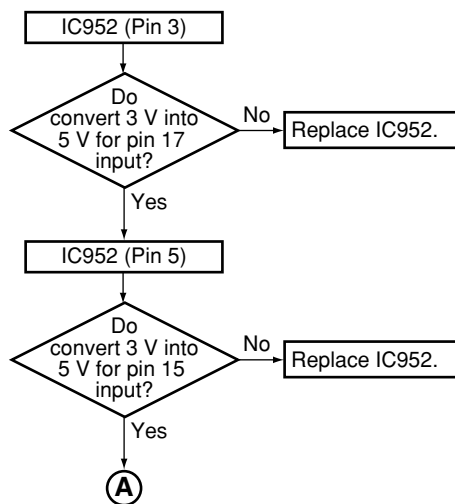
Step 3: Regulator IC

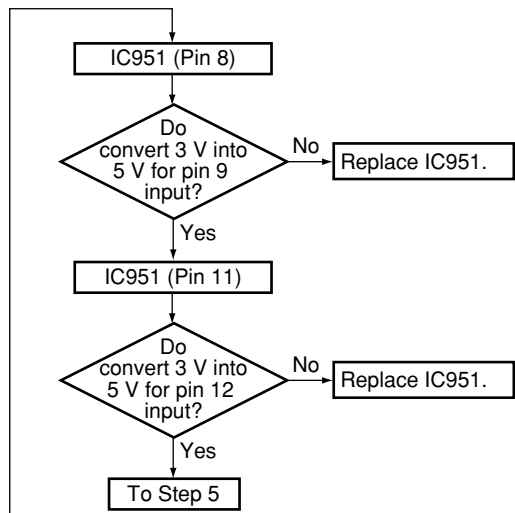
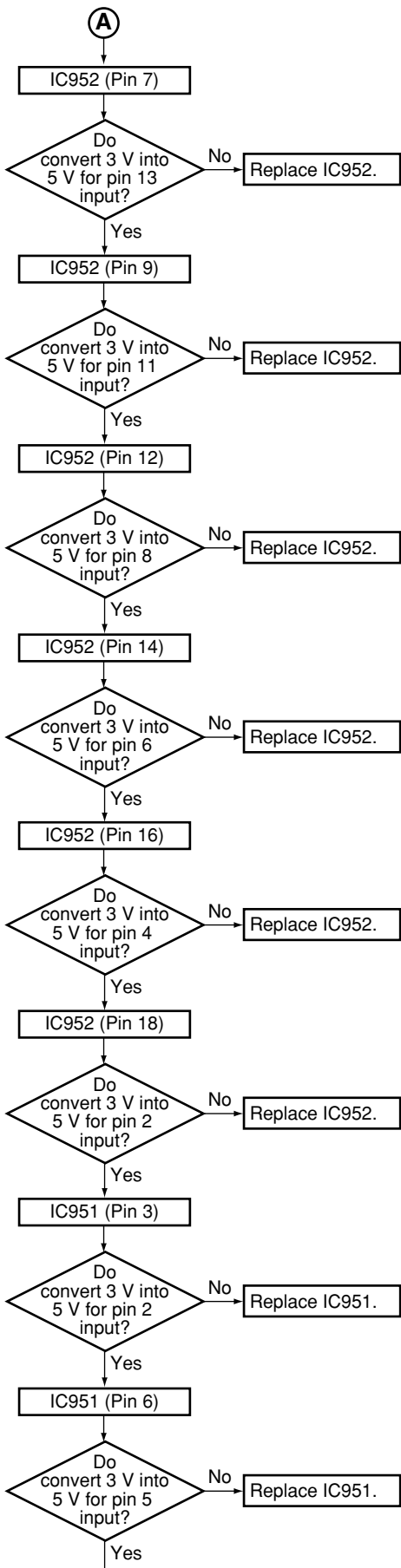


F

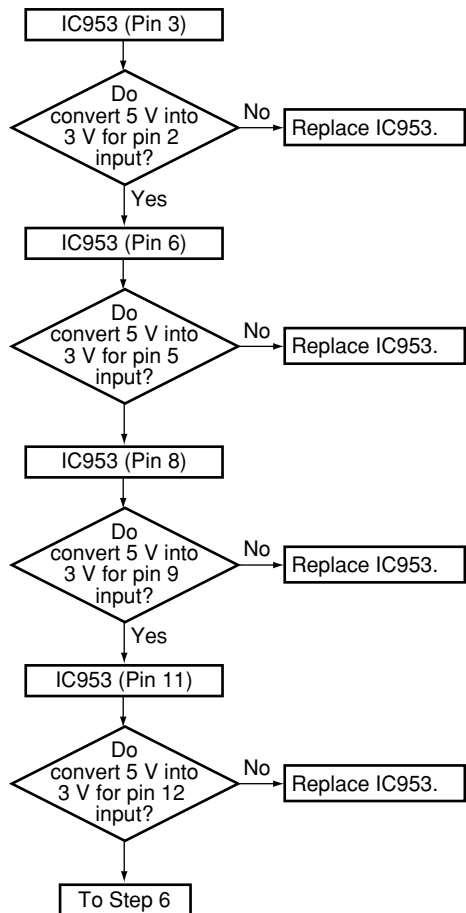


Step 4: 3 V to 5 V conversion



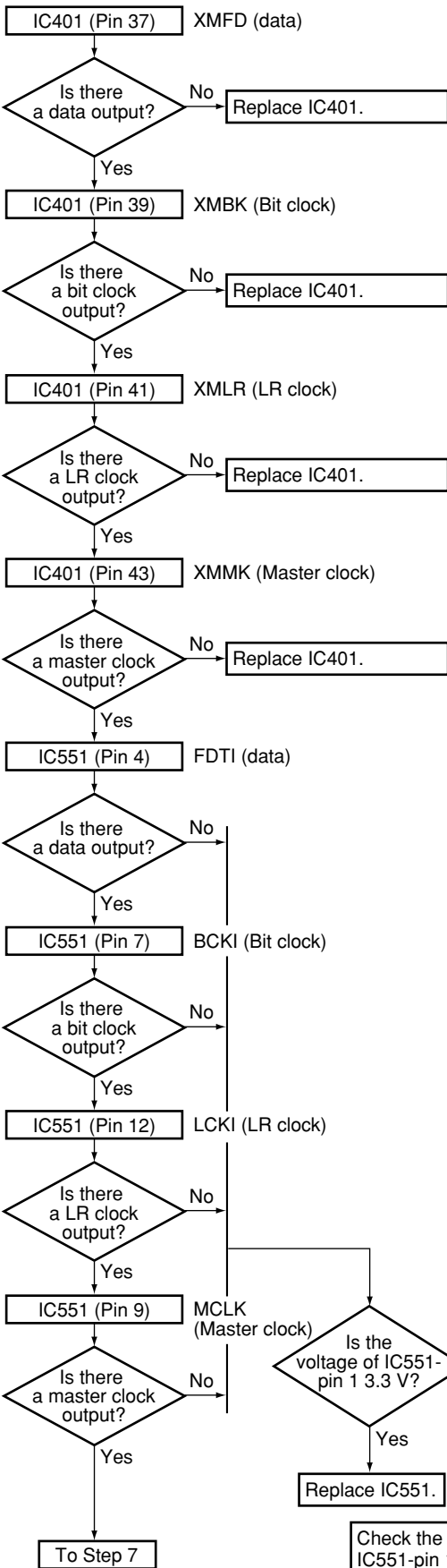


Step 5: 5 V to 3 V conversion



A

Step 6: XM/DT



B

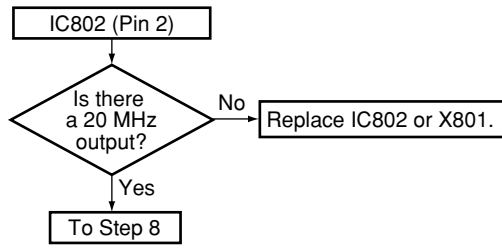
C

D

E

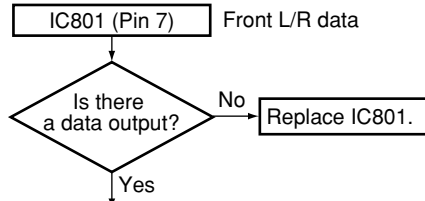
F

Step 7: X'tal

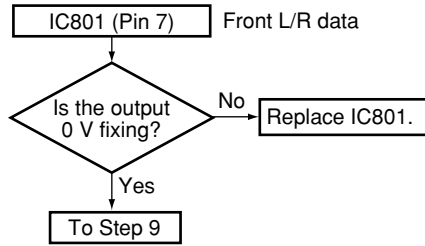


Step 8: DSP output (digital)

Digital output of each CH when receiving the broadcast signal with audio.

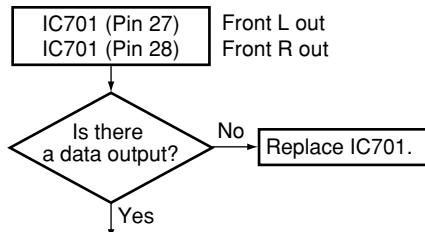


Digital output of each CH when not receiving the broadcast signal (-∞ dB (no audio)).

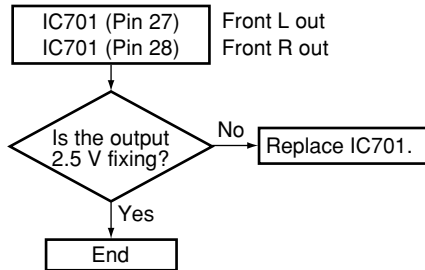


Step 9: Codec output (analog)

Analog output of each CH when inputting the broadcast signal with audio.



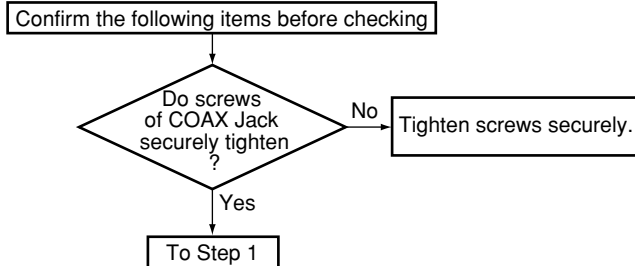
Analog output of each CH when not receiving the broadcast signal (-∞ dB (no audio)).



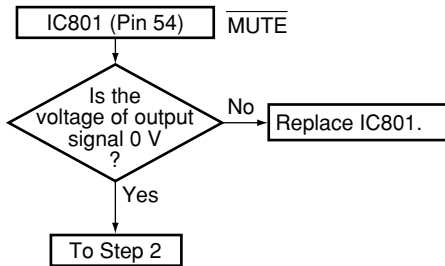
■ Troubleshooting in the MCACC mode (AWX8572 and AWX8699 only)

- When the MCACC mode is turned on (SurroundBack is not output by setting.)
- Suppose CR to be poor contact and that is not damaged.
- This shows failure analysis of DSP Assy.

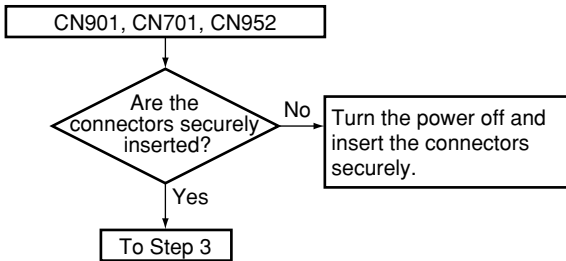
Step 0: Preliminary confirmation



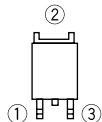
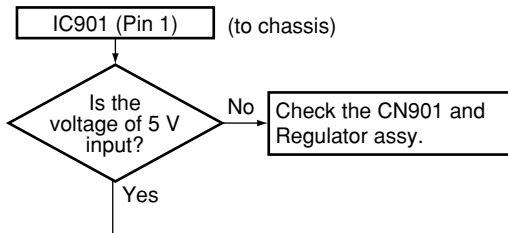
Step 1: MUTE pin



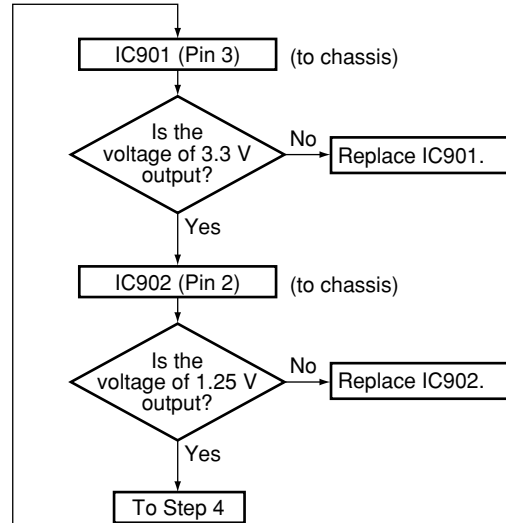
Step 2: BtoB connector



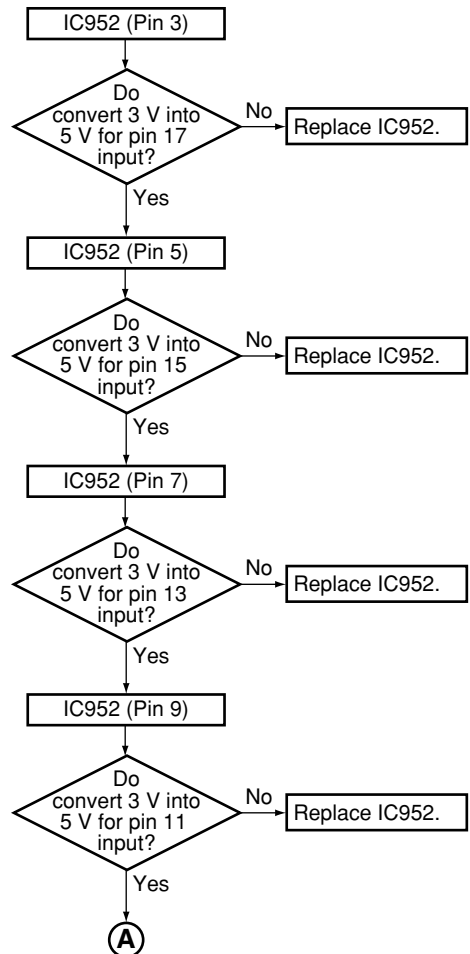
Step 3: Regulator IC



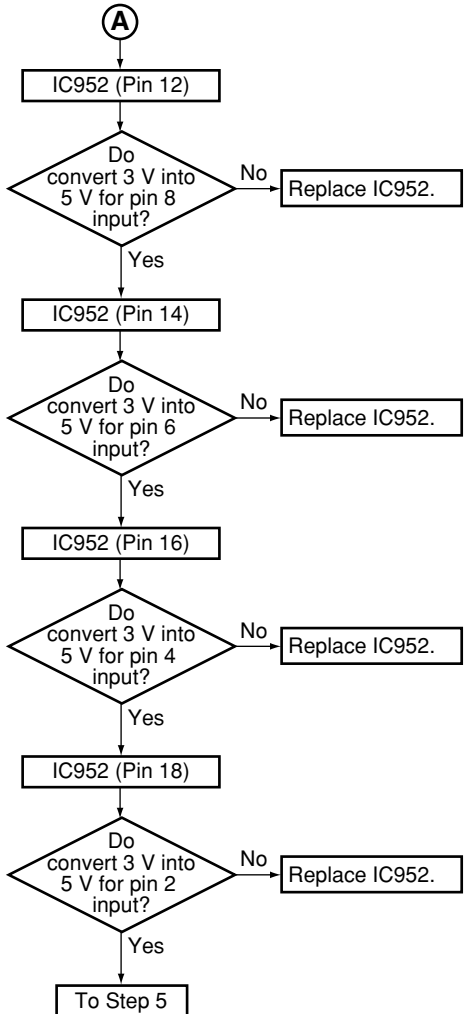
Part shape and Pin arrangement of IC901 and IC902



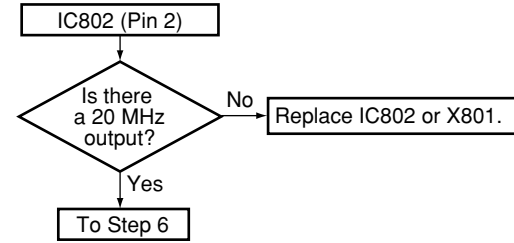
Step 4: 3 V to 5 V conversion



A



Step 5: X'tal

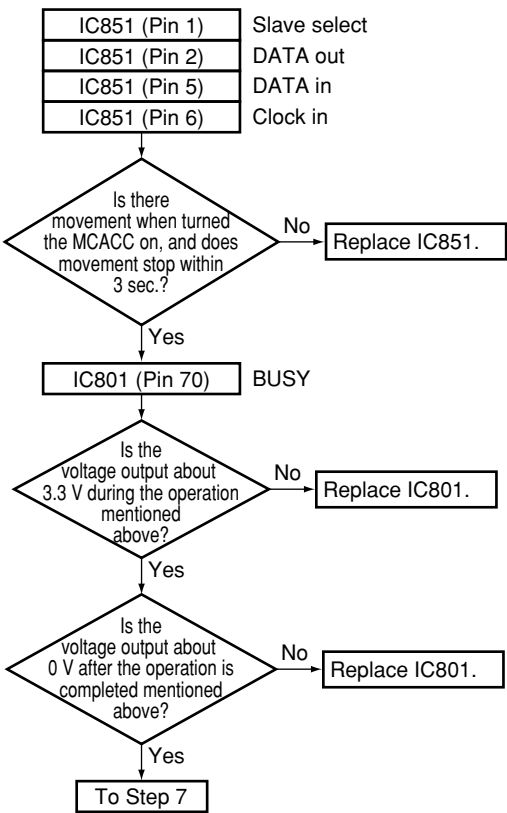


D

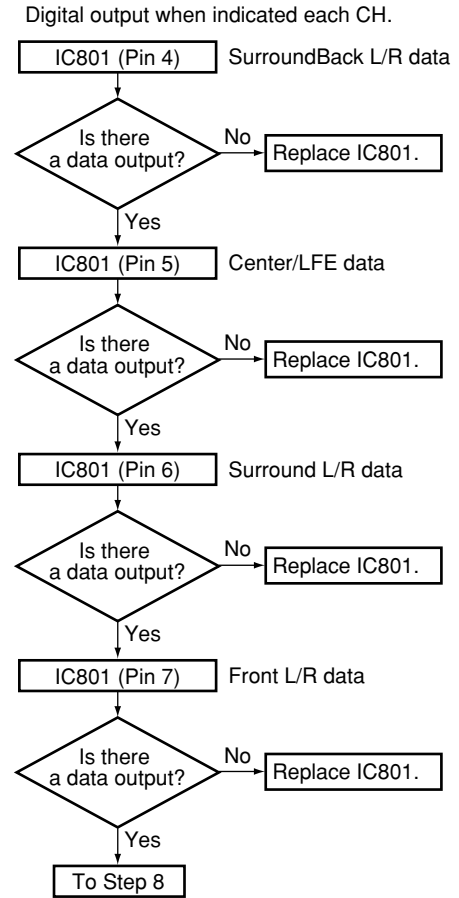
E

F

Step 6: ROM

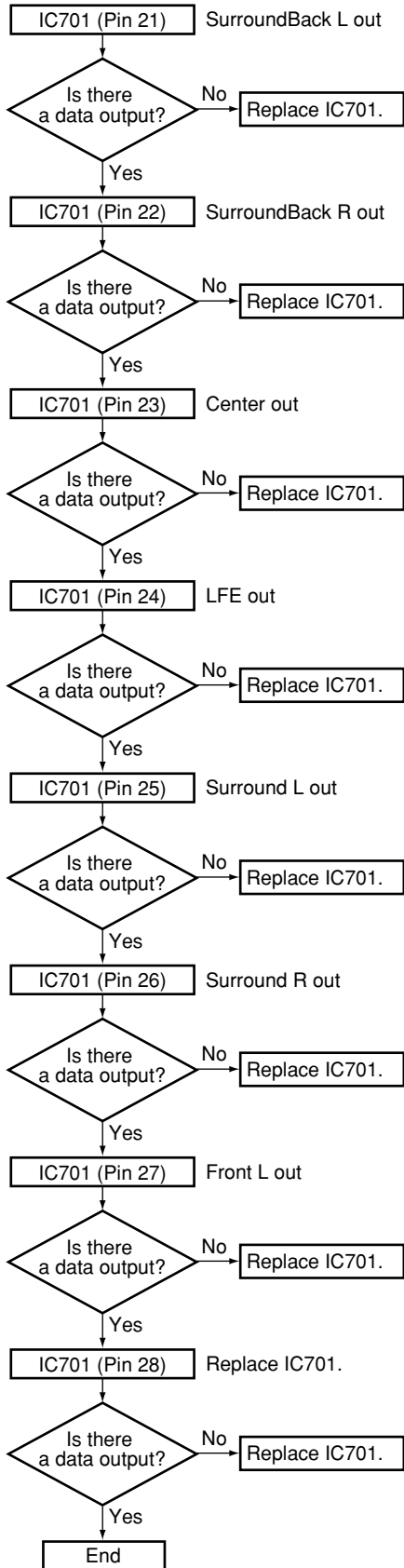


Step 7: DSP output (digital)



Step 8: CODEC output (analog)

Analog output when indicated each CH.



A
B
C
D
E
F

A

DSP Block Diagram

■ : AWX8699 only

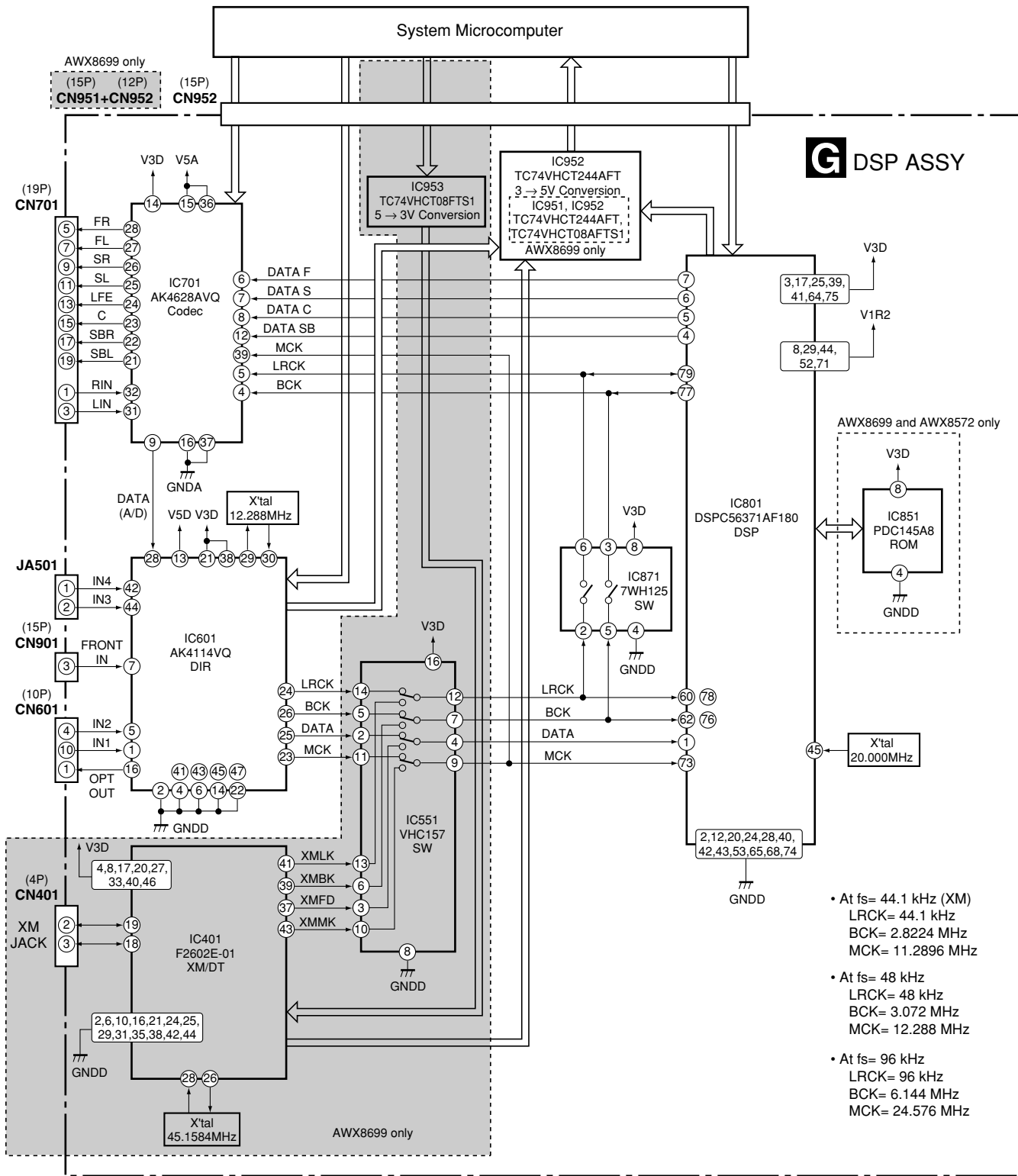
B

C

D

E

F



G DSP ASSY

AWX8699 and AWX8572 only

- At fs= 44.1 kHz (XM)
 LRCK= 44.1 kHz
 BCK= 2.8224 MHz
 MCK= 11.2896 MHz
- At fs= 48 kHz
 LRCK= 48 kHz
 BCK= 3.072 MHz
 MCK= 12.288 MHz
- At fs= 96 kHz
 LRCK= 96 kHz
 BCK= 6.144 MHz
 MCK= 24.576 MHz

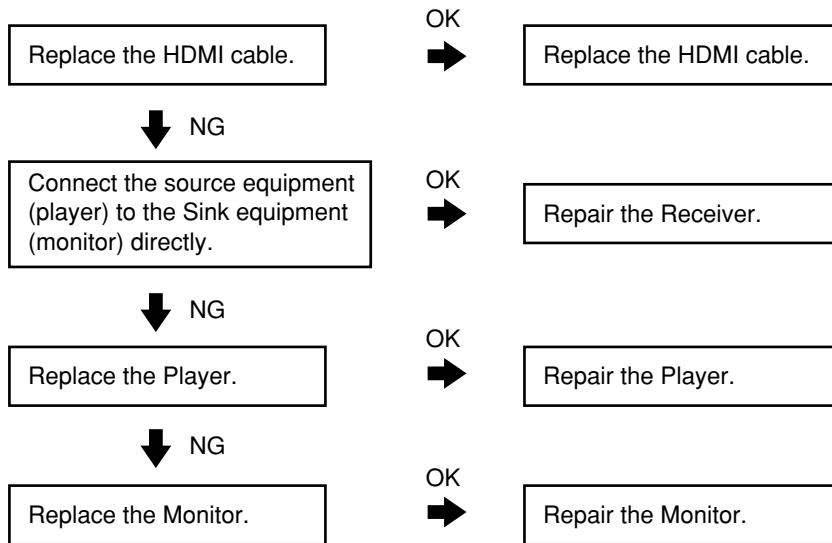
HDMI Simple Diagnosis

Please refer to the one point trouble shooting first before checking the flow chart on the next page.

HDMI

Symptom	Remedy
No picture or sound.	<ul style="list-style-type: none"> If the problem still persists when connecting your HDMI component directly to your monitor, please consult the component or monitor manual or contact the manufacturer for support.
No picture.	<ul style="list-style-type: none"> Depending in the output settings of the source component, it may be outputting a video format that can't be displayed. Change the output settings of the source, or connect using the component, S-video or composite jacks.
No sound, or sound suddenly ceases.	<ul style="list-style-type: none"> Since the HDMI audio signal is sent through this receiver to your TV, you need to make separate connections for audio if you want to hear your HDMI component through this system. If you've made separate connections for audio, make sure you have assigned the analog/digital jack(s) to the corresponding HDMI input for the component. Check the audio output settings of the source component.

Causes for no display or sound from the monitor

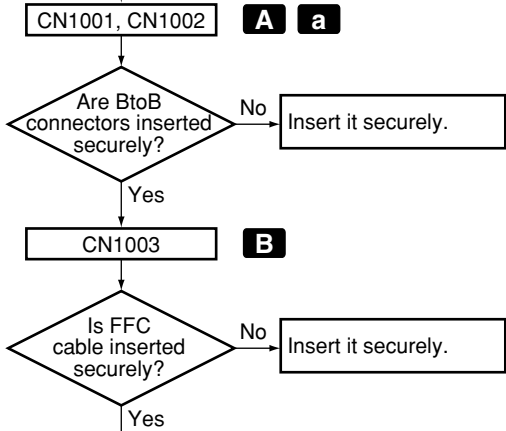


A ■ HDMI Troubleshooting

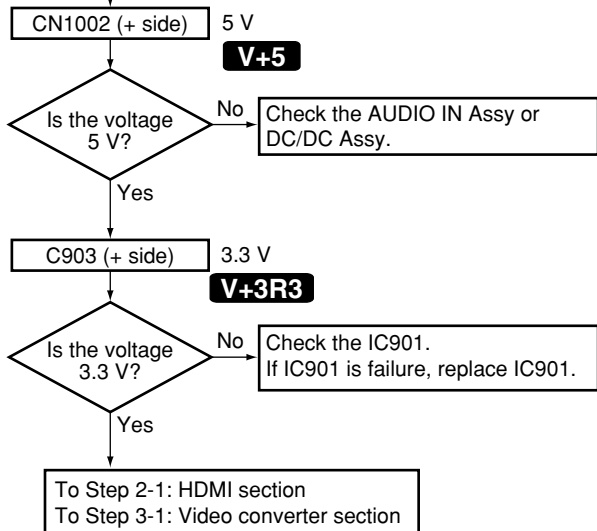
• The parts marked like **V+5** in the following chart are located in "HDMI & DVC Assy Check Points".

Common section

Step 1-1: Connections

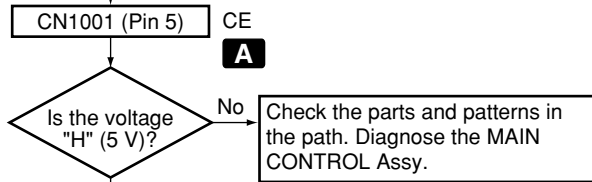


Step 1-2: Power supply

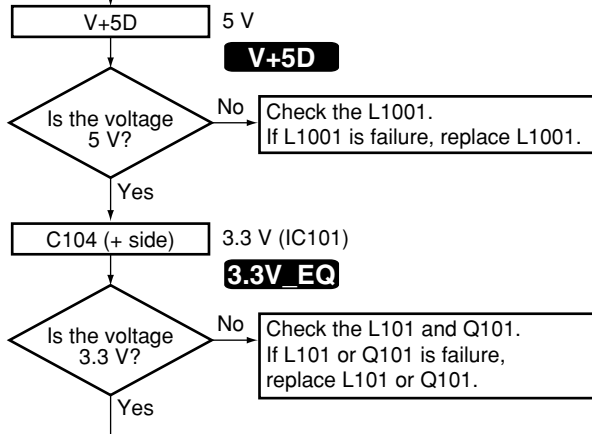


HDMI section

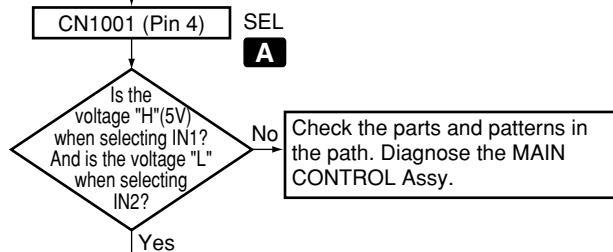
Step 2-1: CE



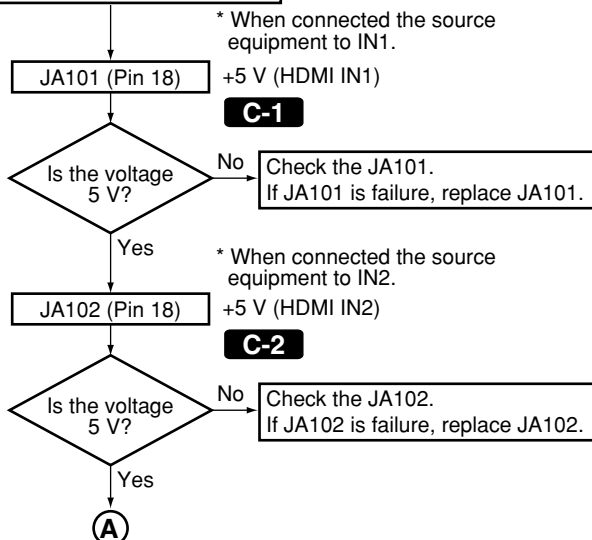
Step 2-2: Power supply



Step 2-3: SEL



Step 2-4: Source 5 V



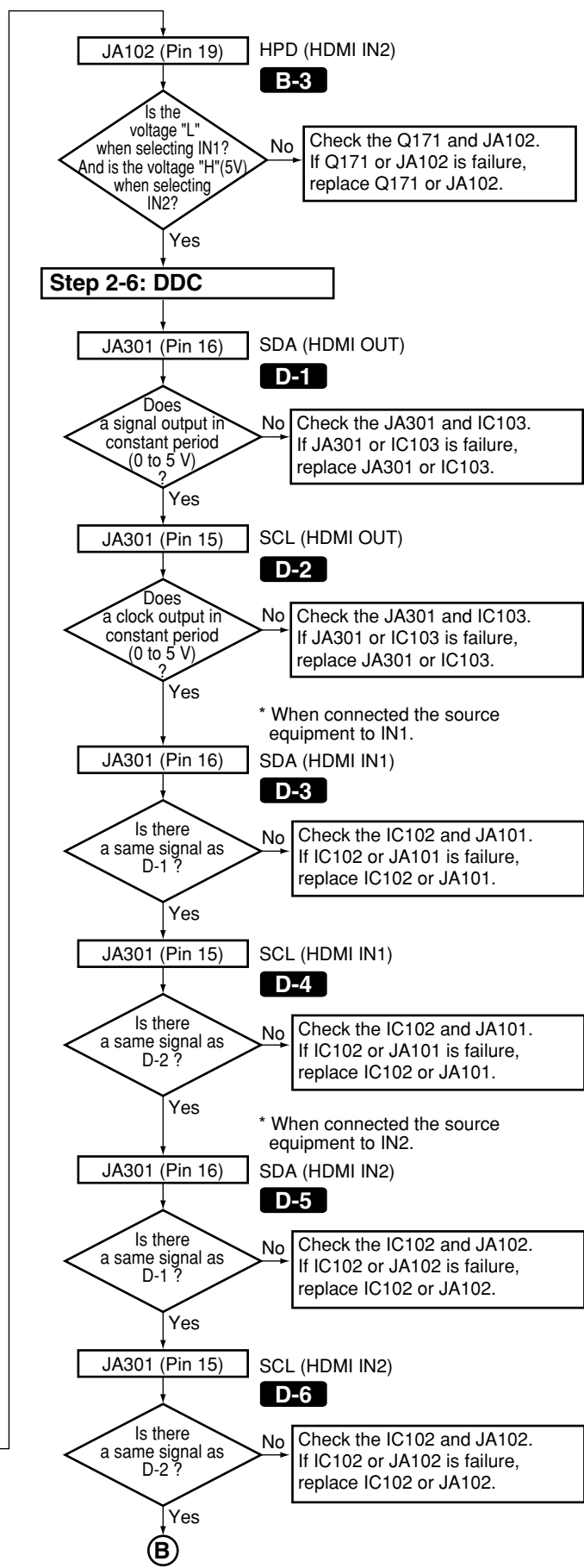
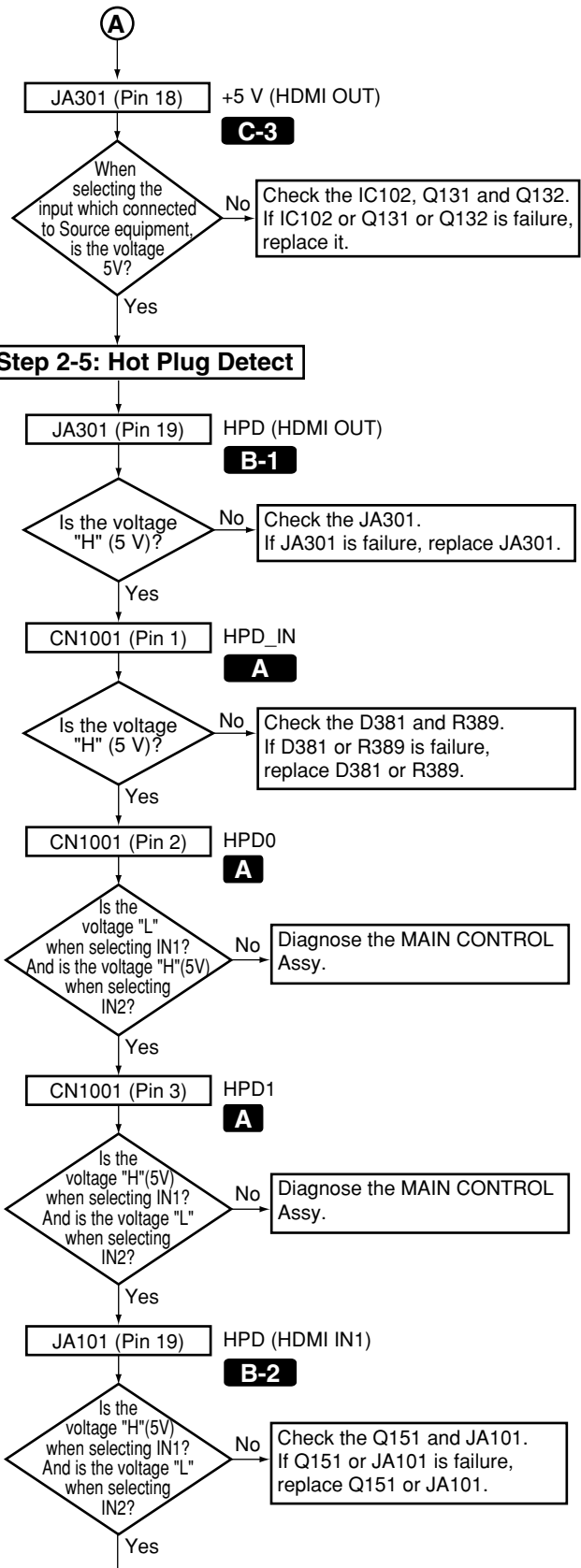
B

C

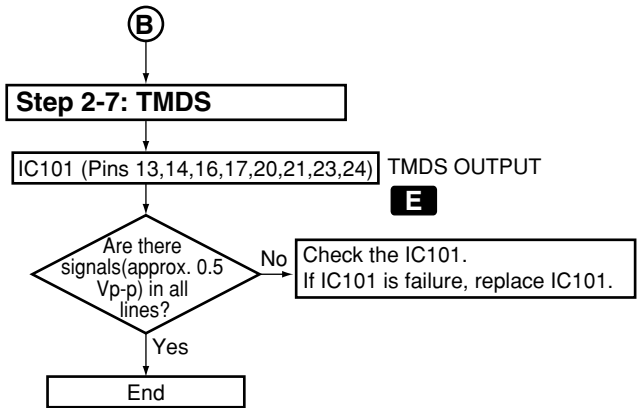
D

E

F

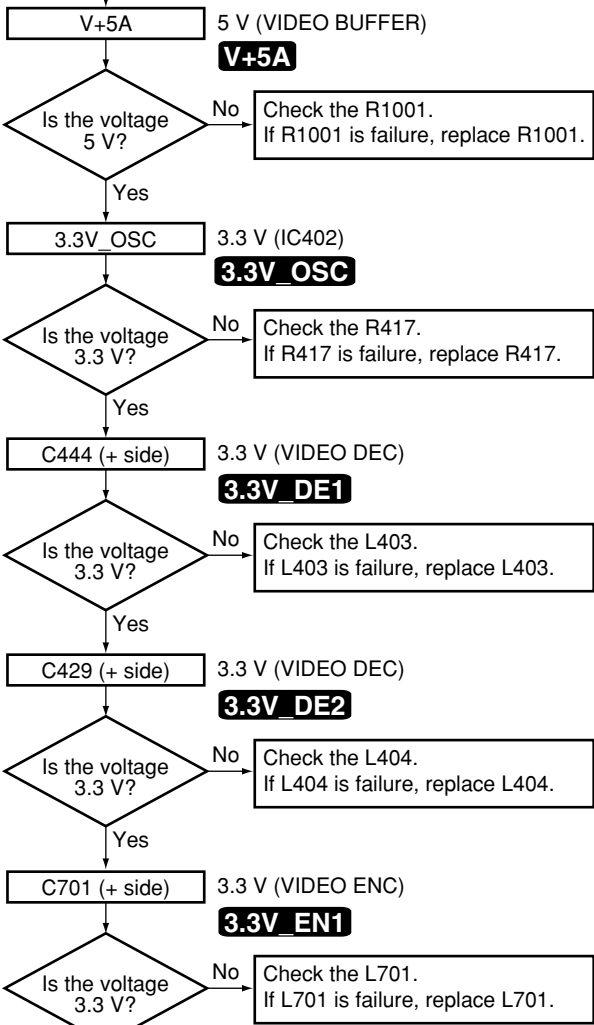


A



B

[Video converter]
Step 3-1: Power Supply

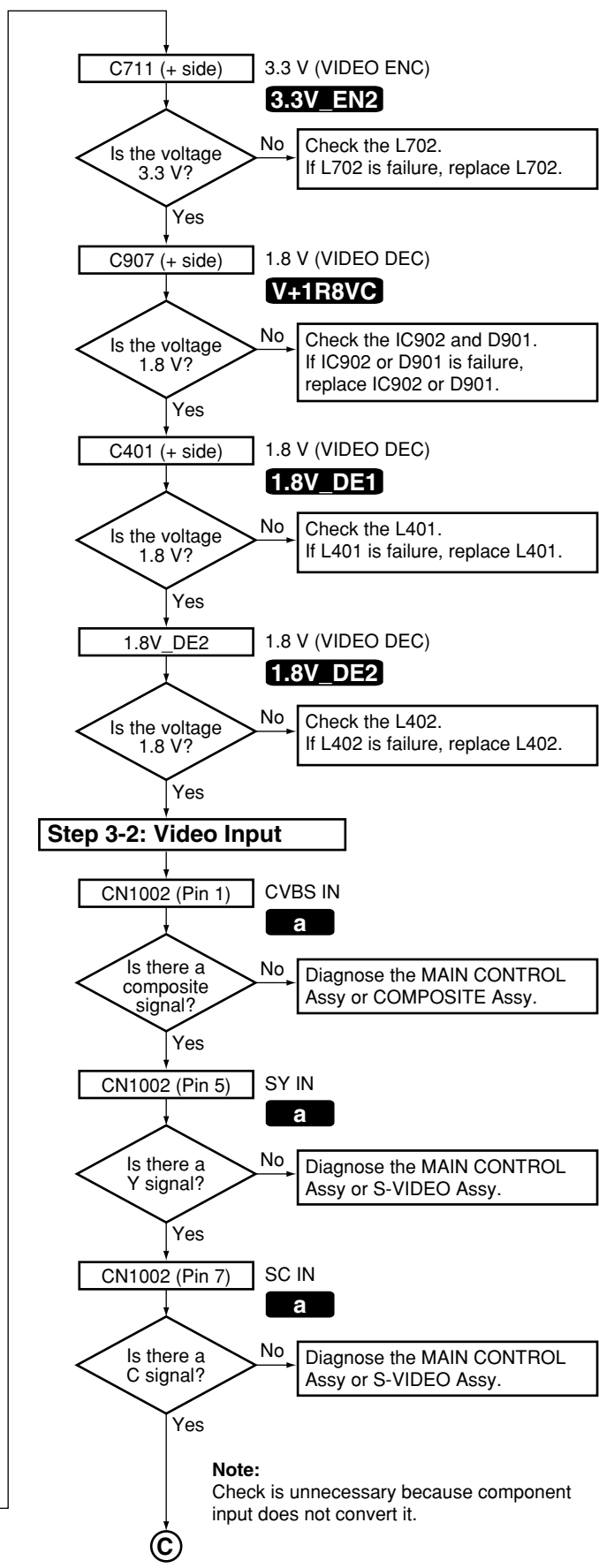


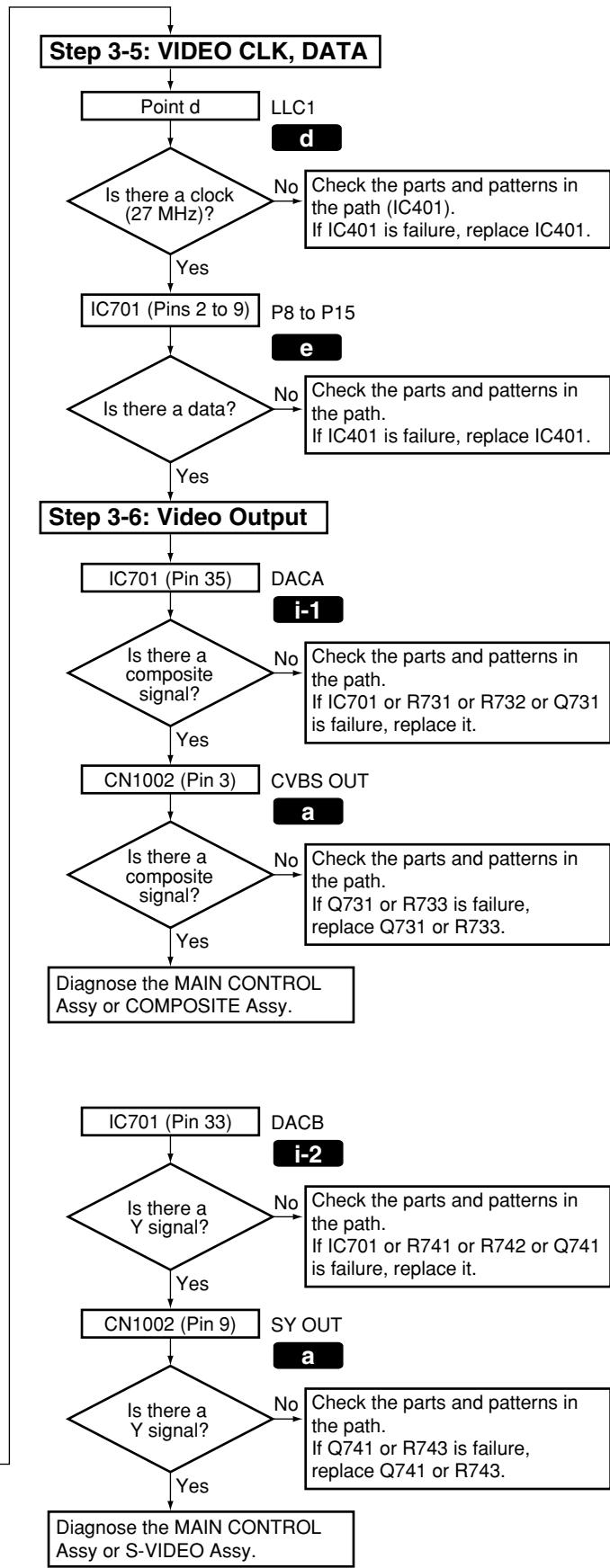
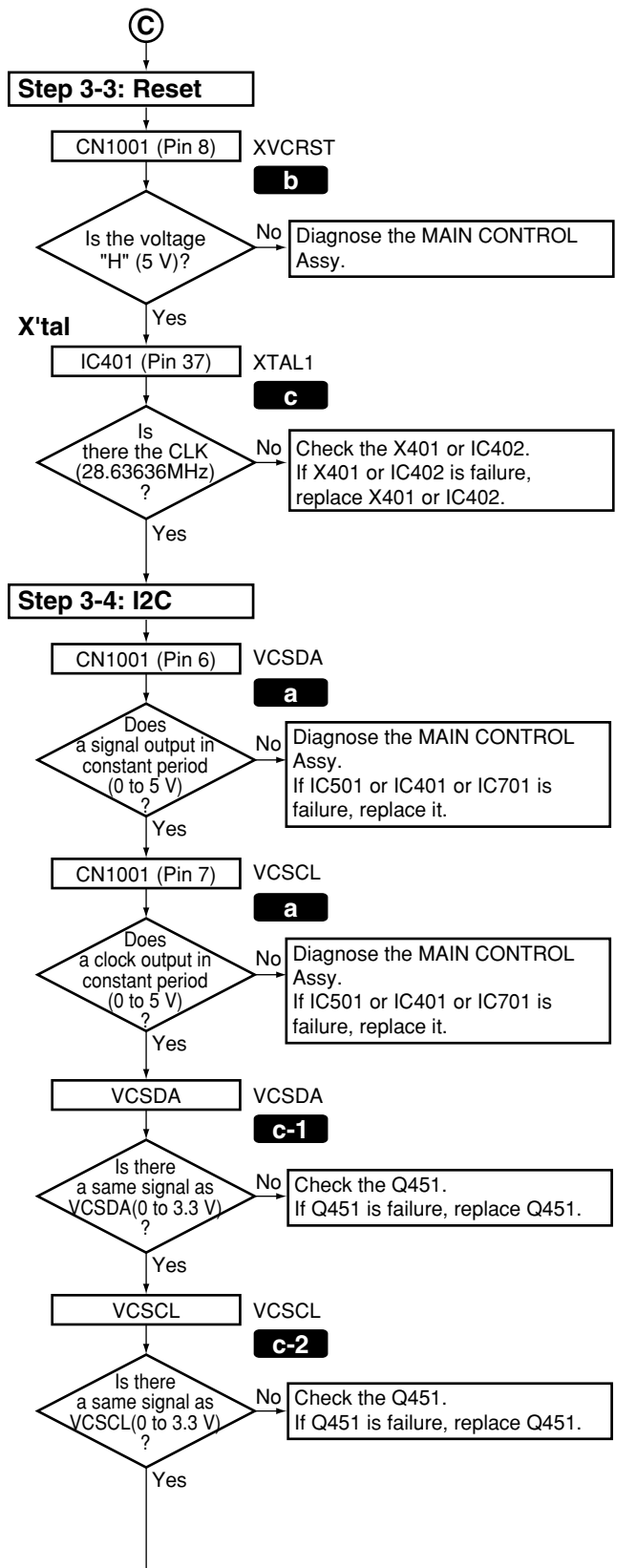
C

D

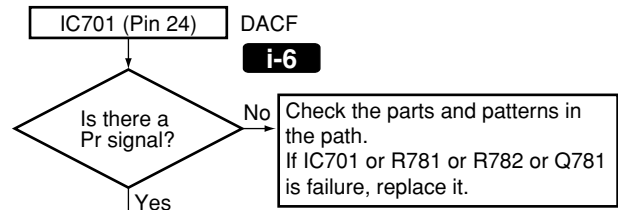
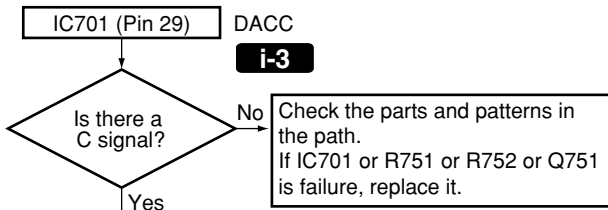
E

F

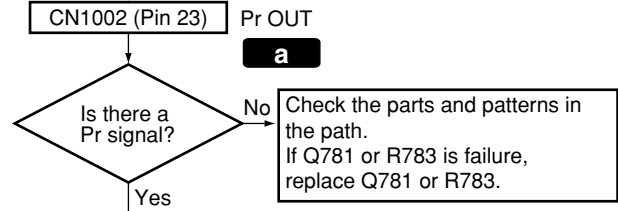
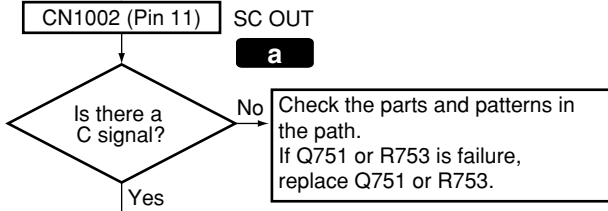




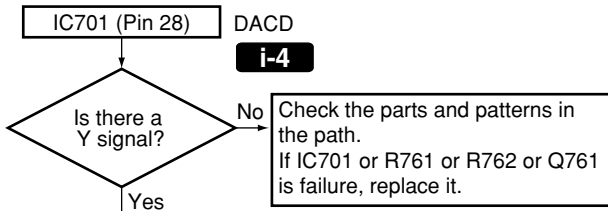
A



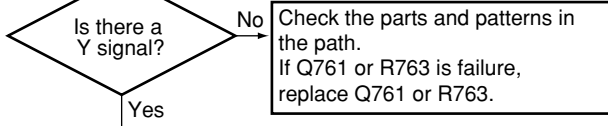
B



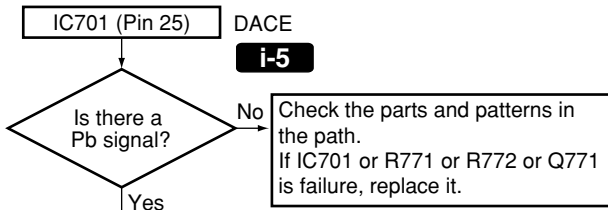
C



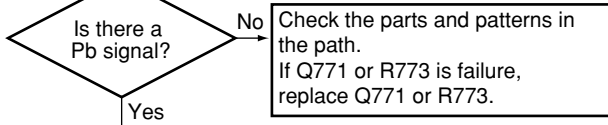
D



E



F

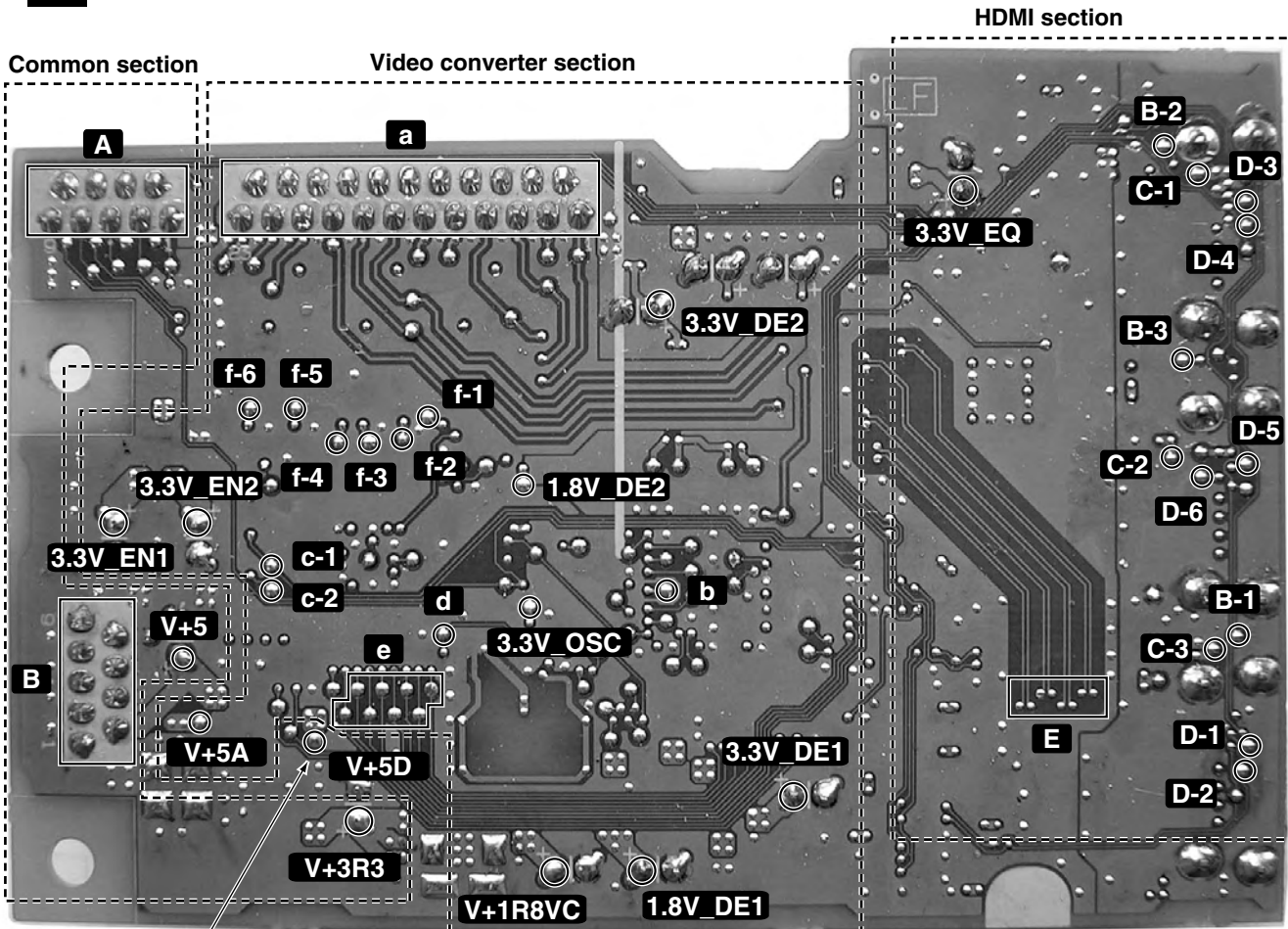


■ HDMI & DVC Assy Check Points



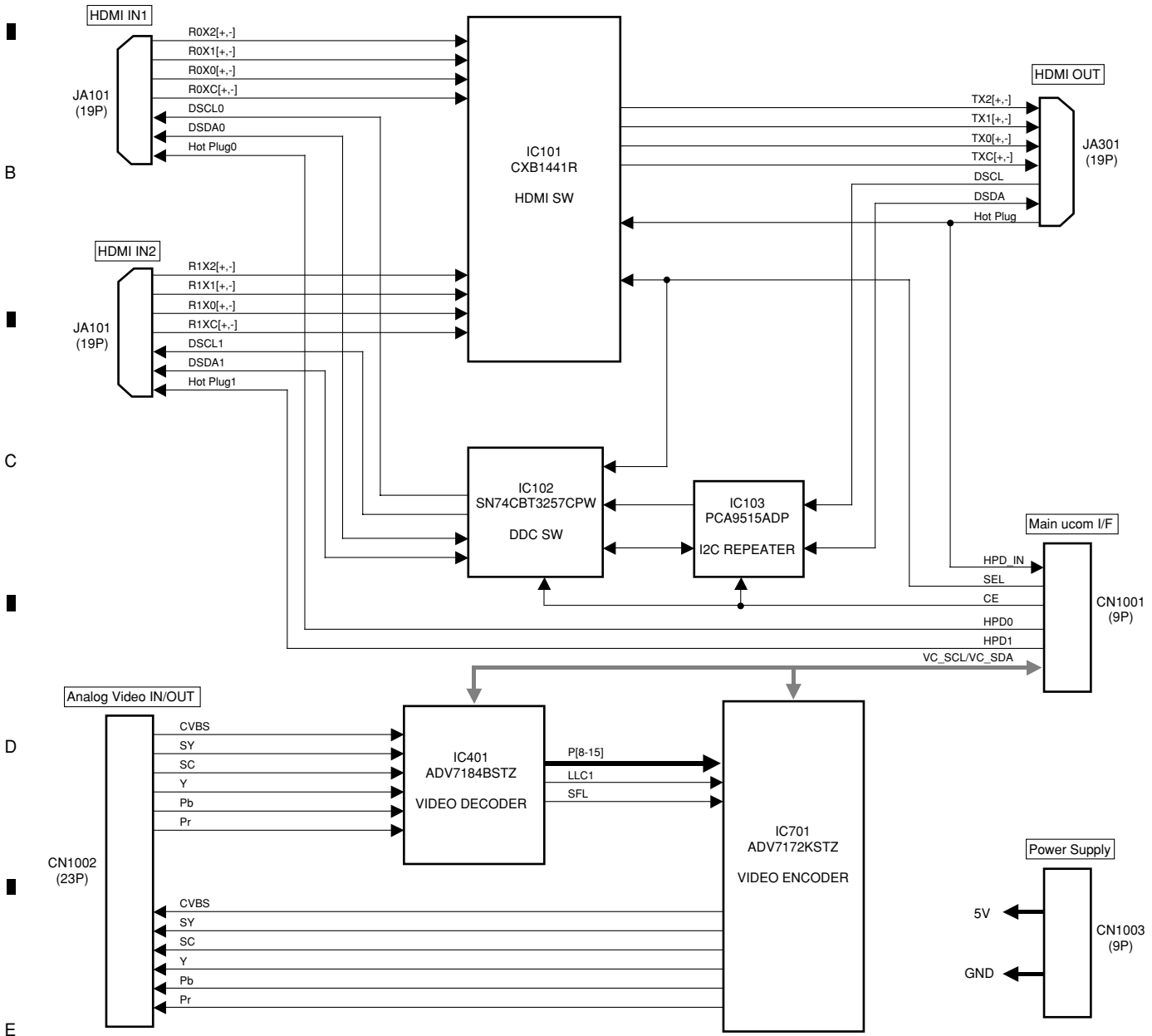
HDMI & DVC ASSY

SIDE B



HDMI section

A ■ **Block Diagram of the HDMI & DVC Assy**

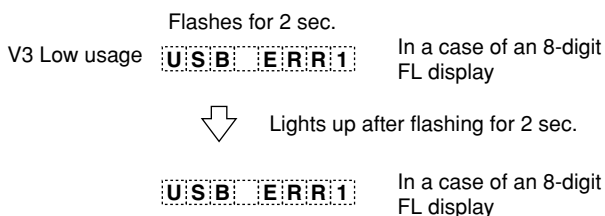


Description of Error Indications

FL Display	Error Content	Possible causes and actions to be taken
USB ERROR1 USB ERR1	Detection of overcurrent to a USB device	Overcurrent (500 mA or more) is consumed at the connected USB device. • Some USB devices, such as a portable HDD, need more current than that this unit supplies. (Use the AC adaptor for the connected USB device.) • The USB power is short-circuited.
USB ERROR2 USB ERR2	Detection of a medium not supported	A USB device that this unit does not support (other than the Mass Storage Class) is connected (such as a mouse, printer, or digital camera). • Connect a mass storage class USB device.
USB ERROR3 USB ERR3	Communication error with the system microcomputer	Communication between TCC760HC01-AG (IC701) and PEG244A (IC101) failed. • Defective connection (connectors) inside this unit • See STEP 3 of Troubleshooting.

Operations when overcurrent to a USB device is detected

- (1) Overcurrent to a USB device is detected at the port for the microcomputer.
- (2) The power supply to the USB device is stopped.
- (3) Control of 5 V power is disabled at the port for the microcomputer.
- (4) Change of indications on the FL display



- (5) To supply power to the USB module again:
 - Turn the power to the unit off then back on.
 - Set the function setting to anything other than USB then back to USB.
 - Press the USB play key on the remote control unit.
- (6) After overcurrent is detected, if the USB play key is pressed while the error indication is displayed, power supply to the USB module is restored. If overcurrent is no longer detected, the indications shown below are displayed (normal indication):

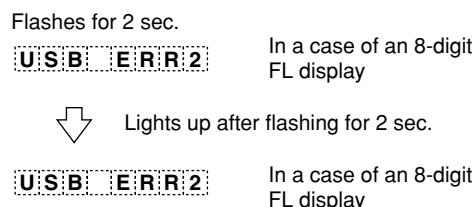


In this state, flashing of "USB ERROR1" stops, but playback will not start. To start playback, press the USB play key again.

In the above case, if overcurrent is detected again, the above procedures 1 through 4 are repeated.

In a case where a medium not supported is connected

- (1) Change of indications on the FL displays

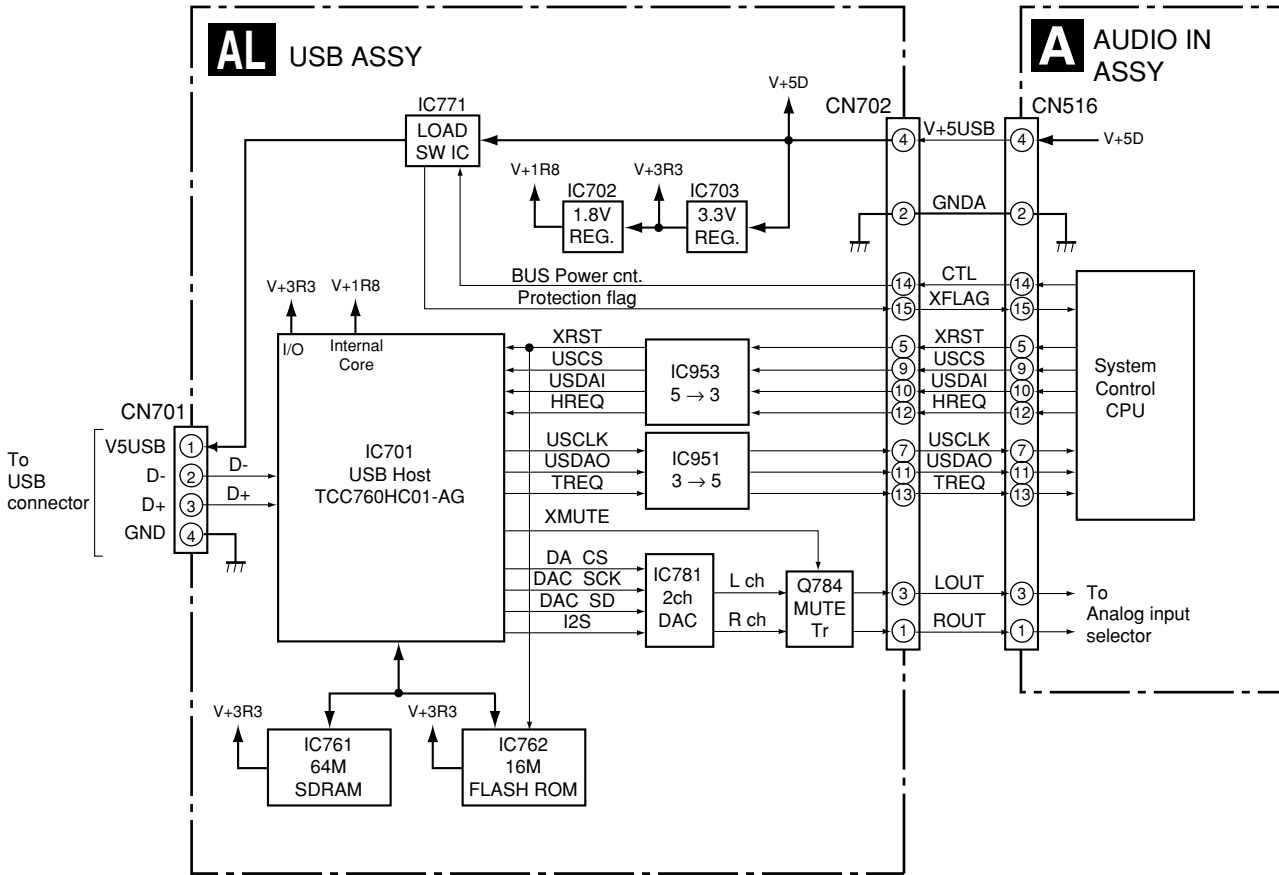


If overcurrent is detected before detection of a non-supported medium, the error indication "USB ERROR1" remains, as the power supply to the USB module is stopped.

On supported media

The formats of supported media that can be played back on this unit are MP3, WMA, and AAC. Some media in MPEG4 can also be played back. As AAC derives from MPEG4 codec, playback of media in AAC codec of MPEG4 is possible.

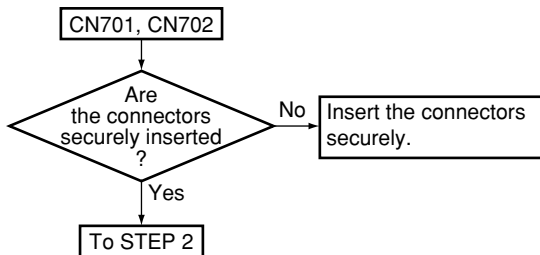
Block Diagram of the USB Assy



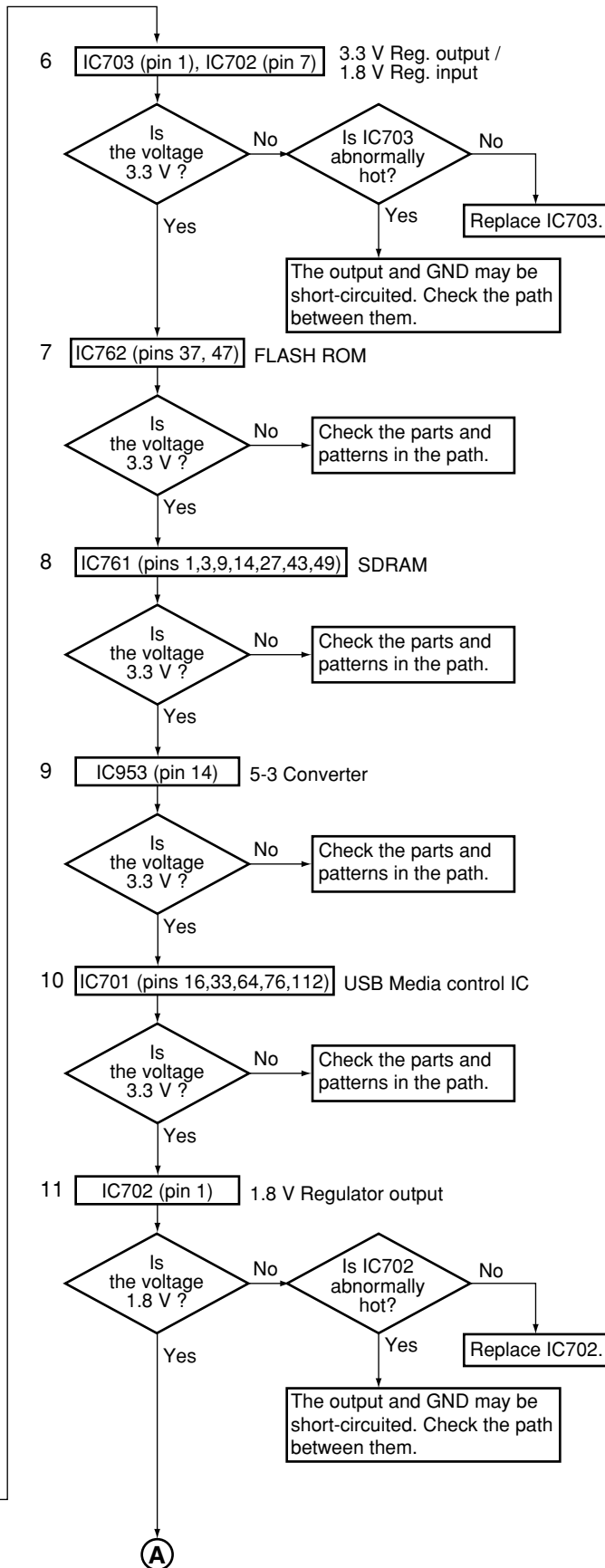
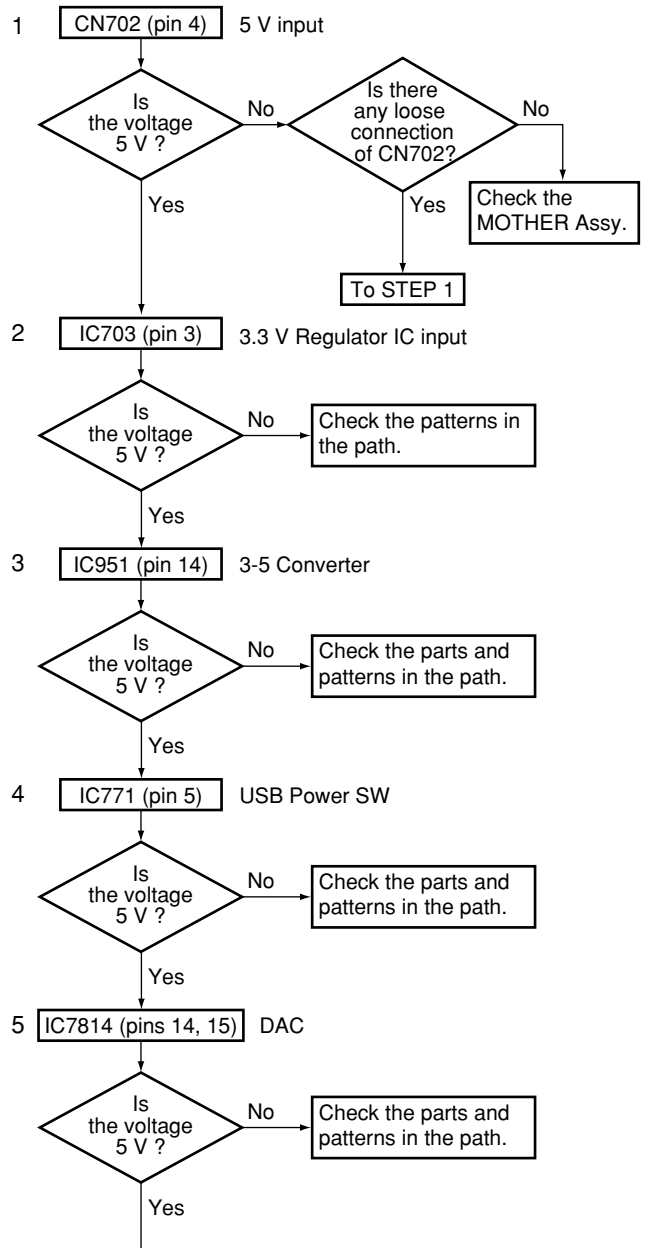
Main parts	Purpose
TCC760HC01-AG	: USB Host control decoder (MP3/WMA/MPEG-4AAC)
16M FLASH ROM	: Firmware is stored
64M SDRAM	: Temporary storage area of decoding music file
LOAD SWITCH	: Current limitation to USB device power
2ch DAC	: D/A converter for analog output

■ USB Troubleshooting

Step 1: Connectors

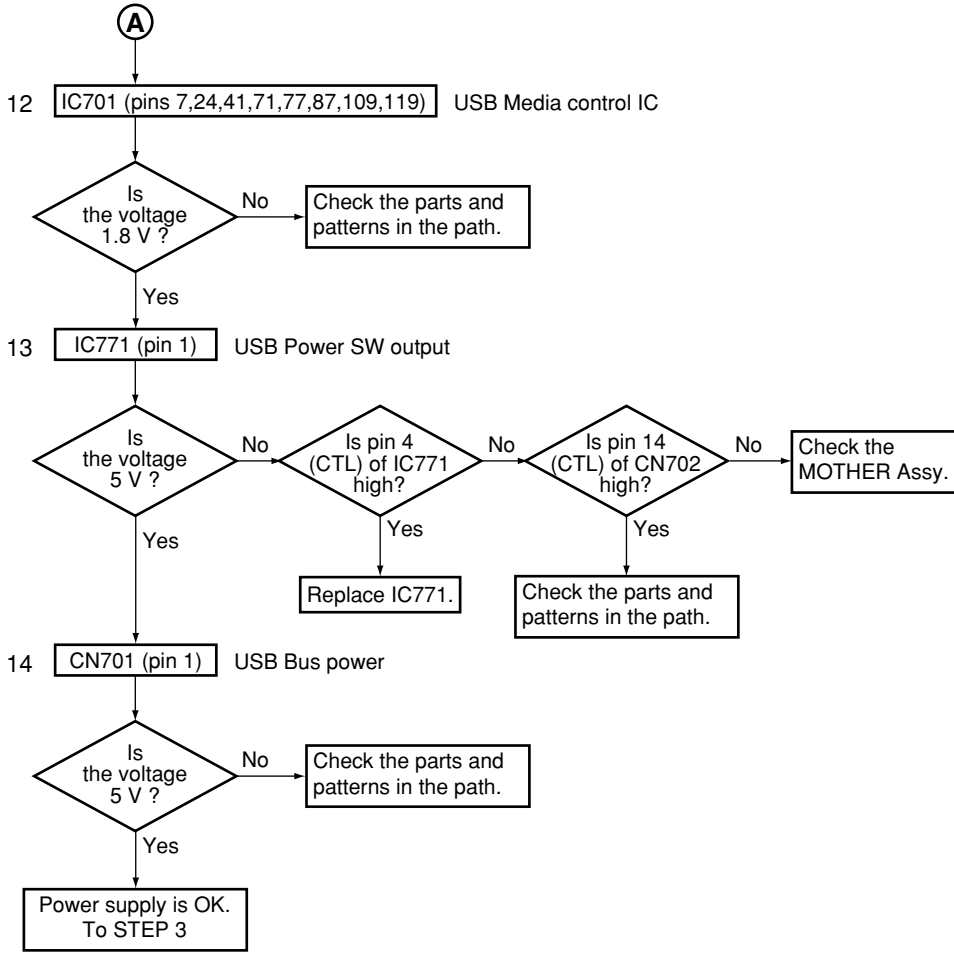


Step 2: Power supply



A

A



D Step 3: Operation of USB Media control IC

Note: Please confirm it with the USB memory connected for the content.

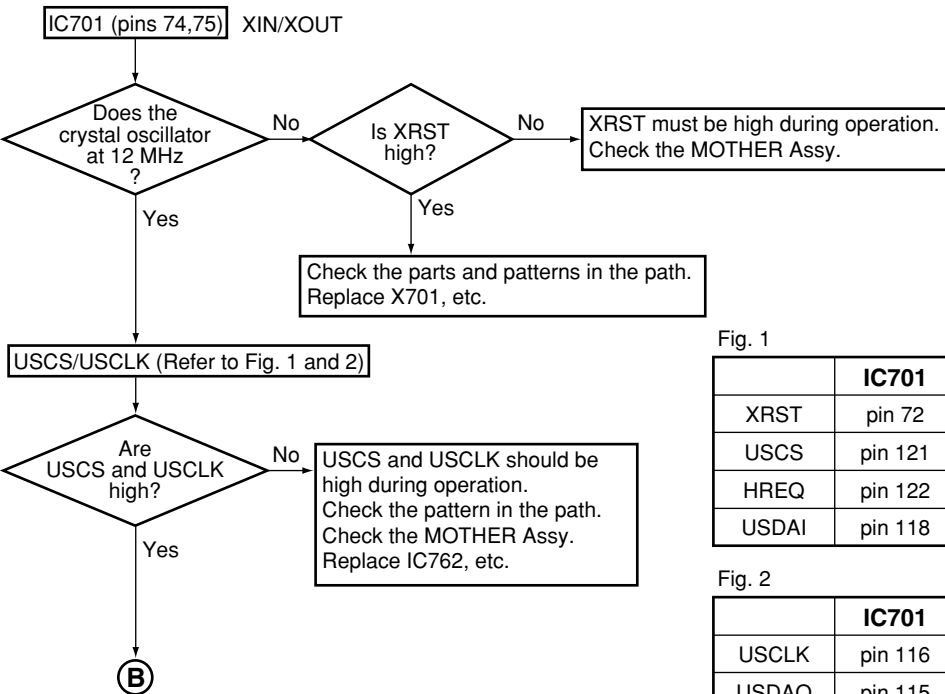


Fig. 1

	IC701	IC953 (5 V → 3 V)	CN702
XRST	pin 72	pin 3	pins 1,2 pin 5
USCS	pin 121	pin 11	pins 12,13 pin 9
HREQ	pin 122	pin 6	pins 4,5 pin 12
USDAI	pin 118	pin 8	pins 9,10 pin 10

Fig. 2

	IC701	IC951 (3 V → 5 V)	CN702
USCLK	pin 116	pins 4,5	pin 6 pin 7
USDAO	pin 115	pins 9,10	pin 8 pin 11
TREQ	pin 123	pins 12,13	pin 11 pin 13

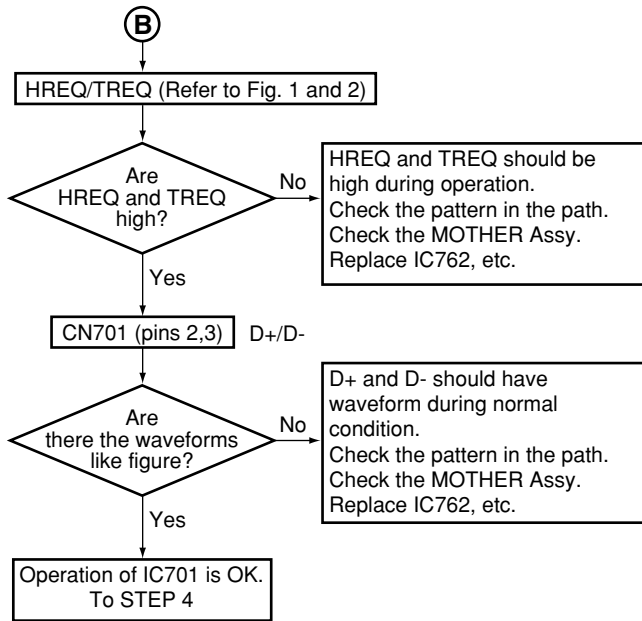
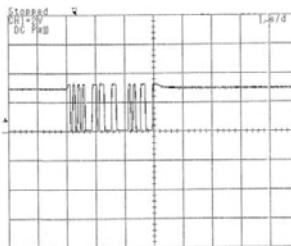
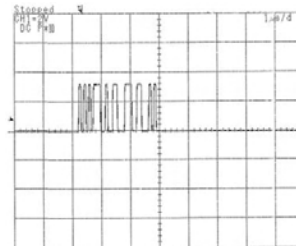


Fig. D+



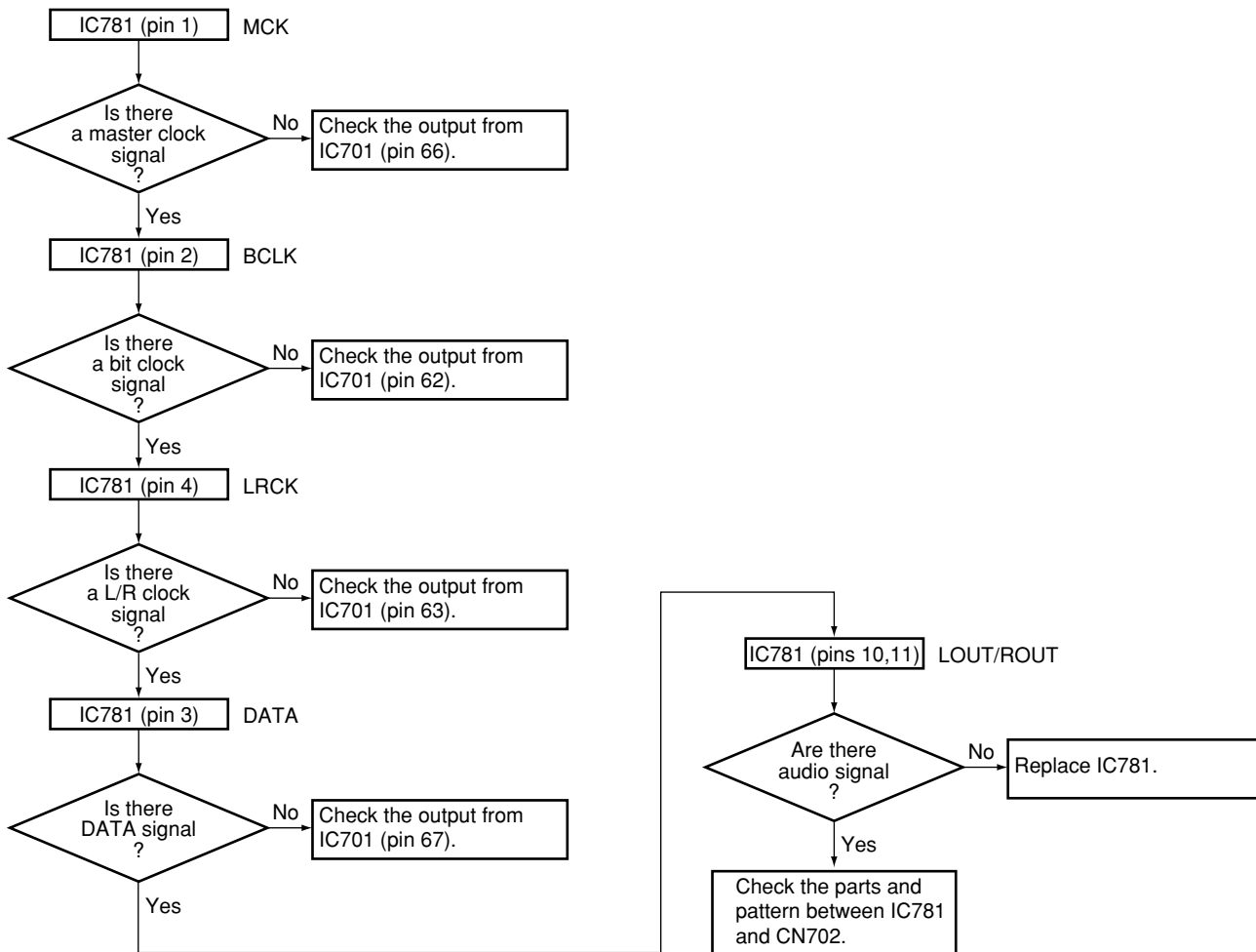
X: 1 μsec/div, Y: 2 V/div

Fig. D-



X: 1 μsec/div, Y: 2 V/div

Step 4: Audio Out check



7.1.6 HOW TO UPDATE FIRMWARE

A

■ Explanation

With this unit, updating of the firmware of the USB module can be performed, using a USB memory stick. However, if the hardware of the flash memory that stores the firmware or the firmware itself has a problem, updating cannot be performed in a manner described below. In such a case, replacement of the flash memory is required.

■ Procedures

1. Turn the unit on then set the function setting to USB function.
2. Insert the USB memory stick that contains the "player.rom" file.*
3. "LOADING" is indicated on the FL display.
4. "UPDATE" is indicated on the FL display.
5. Wait until "FINISH" is indicated on the FL display.
6. Remove the USB memory stick then set the function setting to anything other than USB.
7. Return the function setting to USB function and wait for about 5 seconds in order to obtain the version data of the USB firmware.
8. Turn the unit off (Standby mode).
9. Check the version ("U_xxxxxx" is suffixed to the version indication).
If the version is not updated, the data for the new version may not have been obtained in Step 7. Repeat Step 7 and the subsequent steps.

■ Notes * :

- Never reinsert the USB memory stick that contains the "player.rom" file.
- In a rare case, depending on the type of USB memory stick, the above-mentioned updating procedures are not possible. In such a case, try with other type of USB memory stick.

■ Importance:

- Never change the function setting or turn the power off during the process of Steps 3 through 5. If you do, loading of the firmware will fail, and updating procedures cannot be continued. In such a case, replacement of the flash memory is required.

E

F

Note 1: Even if the unit shown in the photos and illustrations in this manual may differ from your product, the procedures described here are common.

Note 2: For performing the diagnosis shown below, the following jigs for service is required:

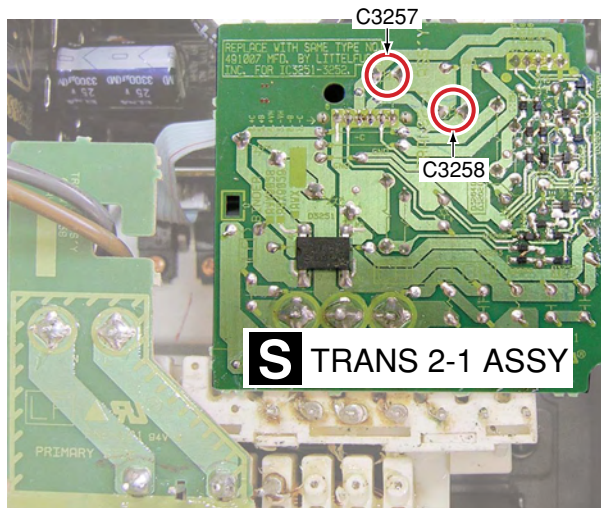
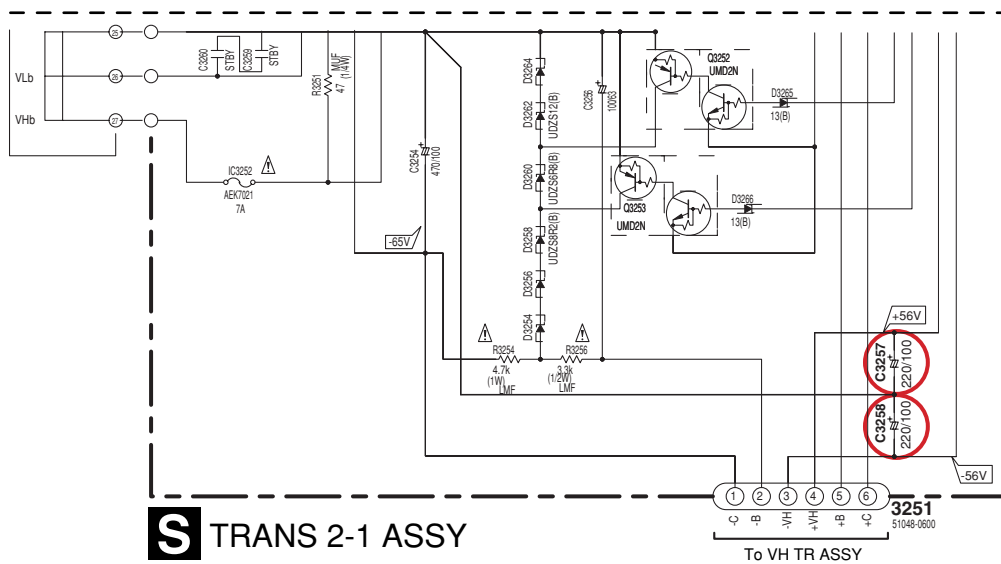
- 11P board to board extension jig cable (GGD1482)
- 13P board to board extension jig cable (GGD1483)
- 15P board to board extension jig cable (GGD1484)
- 21P board to board extension jig cable (GGD1485)

1. Before the Power Amp Block is removed

Before the Power Amp Block is removed, discharge C3257 and C3258 on the TRANS 2-1 Assy, as indicated below. If you don't, the IC protectors (IC3351 and IC3352) on the VH TR Assy may be open, and DC voltage may be generated at the power amplifier output, which will result in "AMP ERR."

[Procedure]

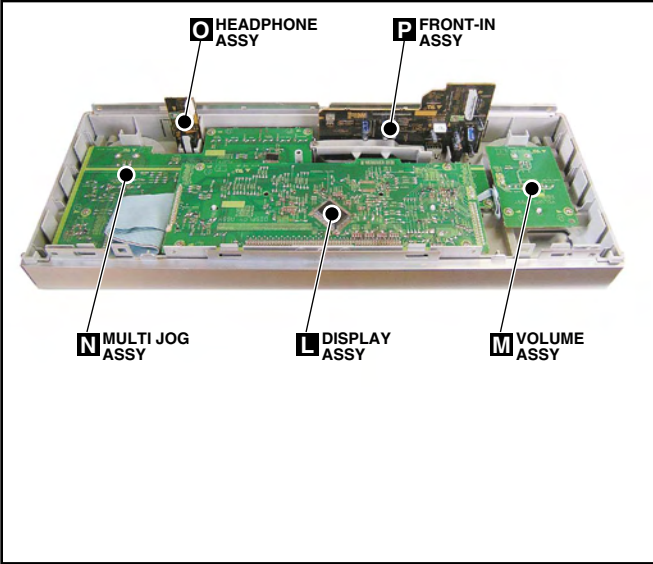
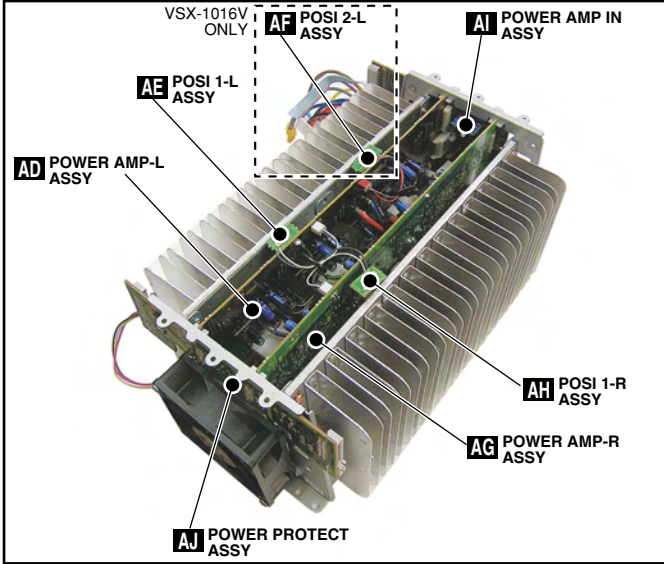
- ① Unplug the AC power cord.
- ② Discharge C3257 and C3258 on the TRANS 2-1 Assy.
Note: For discharging, use a load of 100Ω, 3W or more, to protect the IC protectors. Do NOT discharge instantly by short-circuiting.
- ③ Check that the voltage between the electrodes of each C3257 and C3258 is 1V or less.
- ④ Reassembling the Power Amp Block.



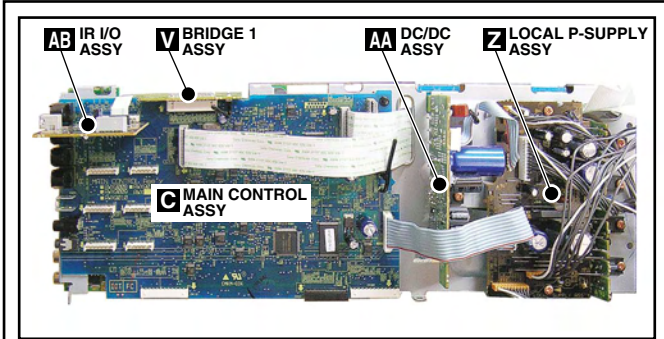
A

2. PCB Location

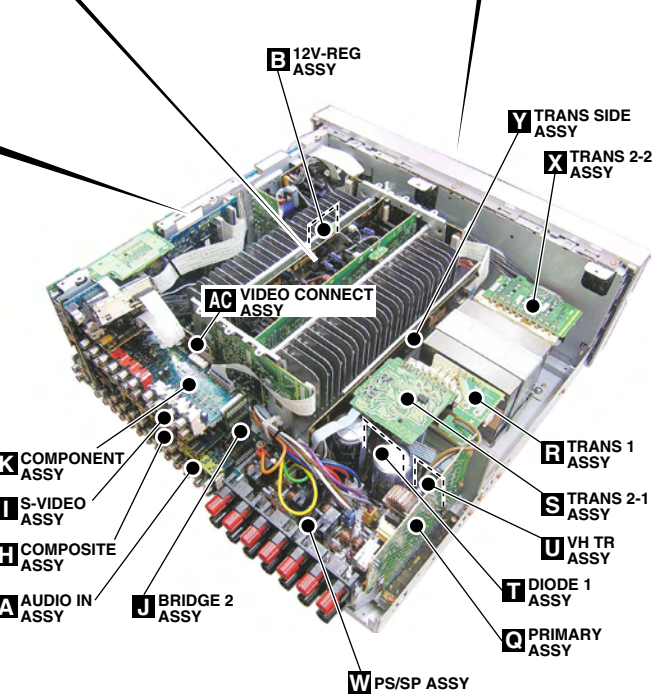
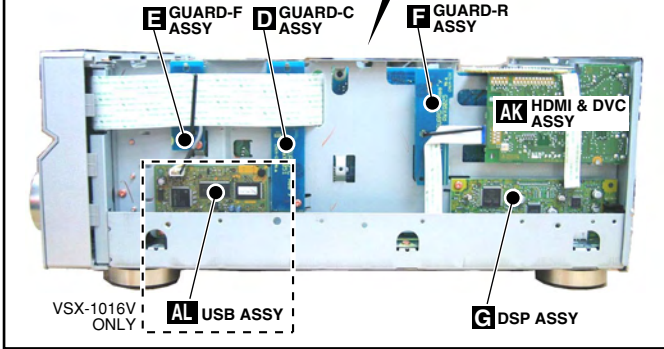
B



D



E

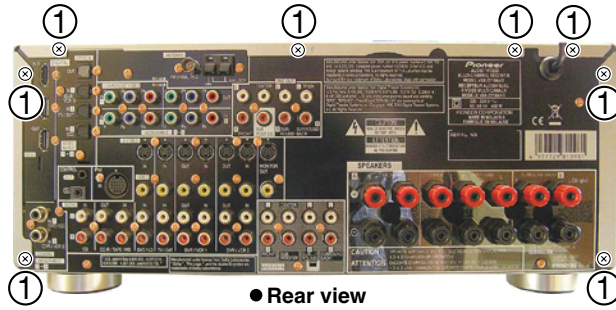


F

3. Disassembly

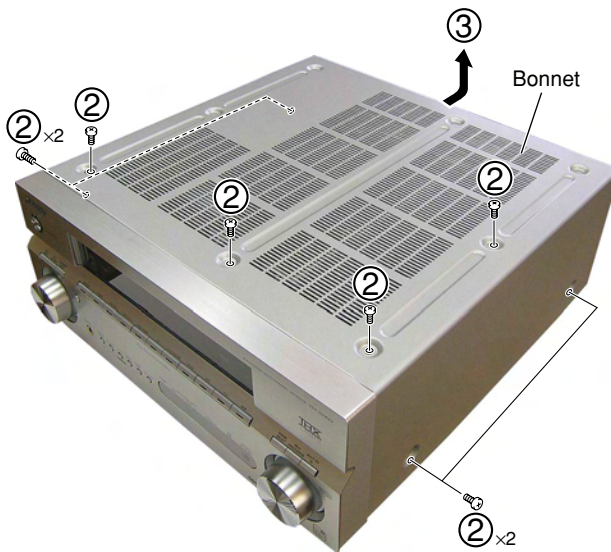
1 Bonnet

① Remove the eight screws.



② Remove the eight screws.

③ Remove the bonnet.

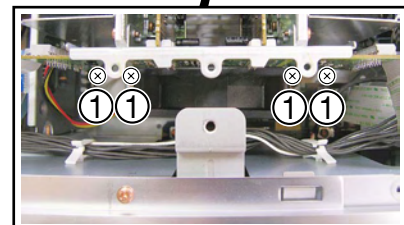
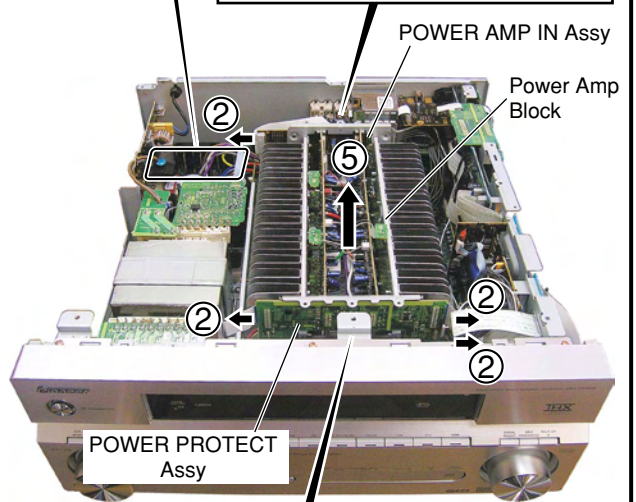
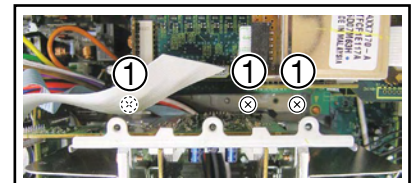
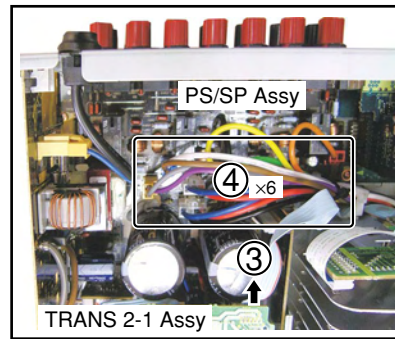


2 Power Amp Block

Caution:

Before removing the Power Amp Block, discharge C3257 and C3258 on the TRANS 2-1 Assy. Refer to "1. Before the Power Amp Block is removed".

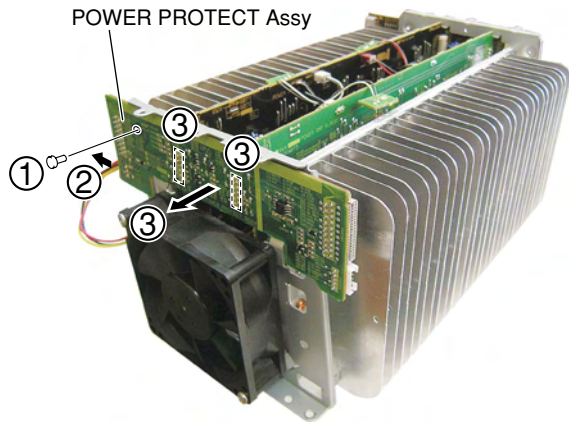
- ① Remove the seven screws.
- ② Disconnect the three flexible cables and the one connector.
- ③ Disconnect the one jumper wire.
- ④ Disconnect the six connectors.
- ⑤ Remove the power amp block.



3 Replacing the Power Transistor

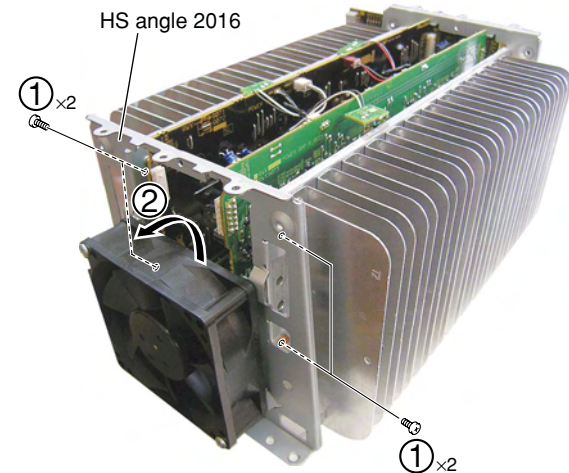
● POWER PROTECT Assy

- ① Remove the one nylon rivet.
- ② Disconnect the one connector. (VSX-1016V only)
- ③ Remove the POWER PROTECT Assy by removing the two connectors.



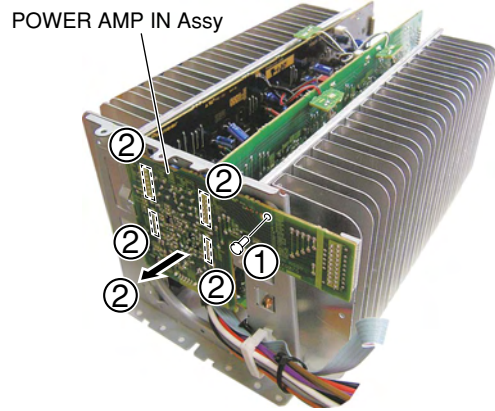
● HS Angle 2016

- ① Remove the four screws.
- ② Remove the HS angle 2016.



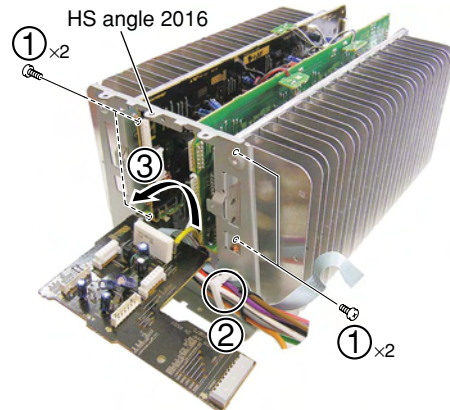
● POWER AMP IN Assy

- ① Remove the one nylon rivet.
- ② Remove the POWER AMP IN Assy by removing the four connectors.

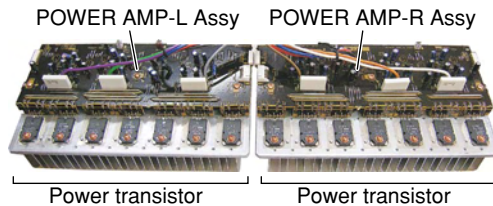


● HS Angle 2016

- ① Remove the four screws.
- ② Release the clamber.
- ③ Remove the HS angle 2016.



● Replacing the Power Transistor

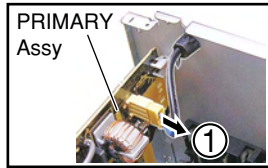


Replace

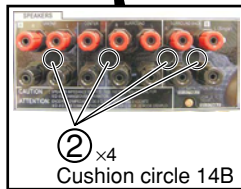
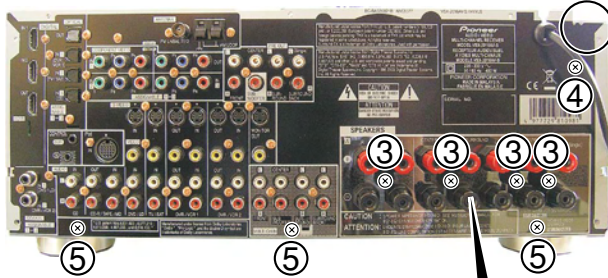
4 Replacing the AUDIO IN Assy

● Rear Panel

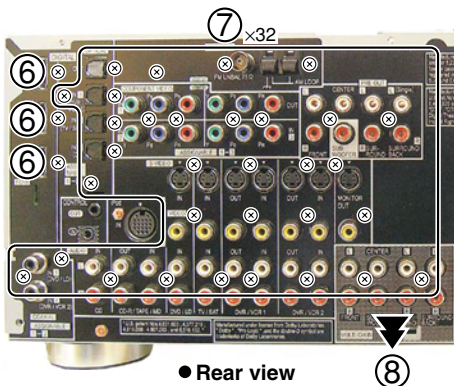
- ① Disconnect the one connector.
- ② Remove the four cushion circle 14B.
- ③ Remove the four screws.
- ④ Remove the one screw.
(KU model: Remove the three screws.)
- ⑤ Remove the three screws.



● Rear view



- ⑥ Remove the three screws.
- ⑦ Remove the 32 screws.
(VSX-80TXV(-S): Remove the 34 screws.)
- ⑧ Remove the rear panel.



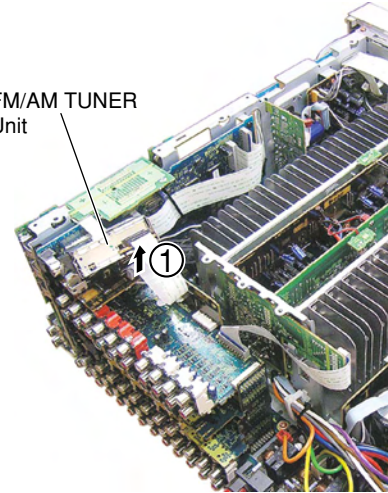
● Rear view



● FM/AM TUNER Unit

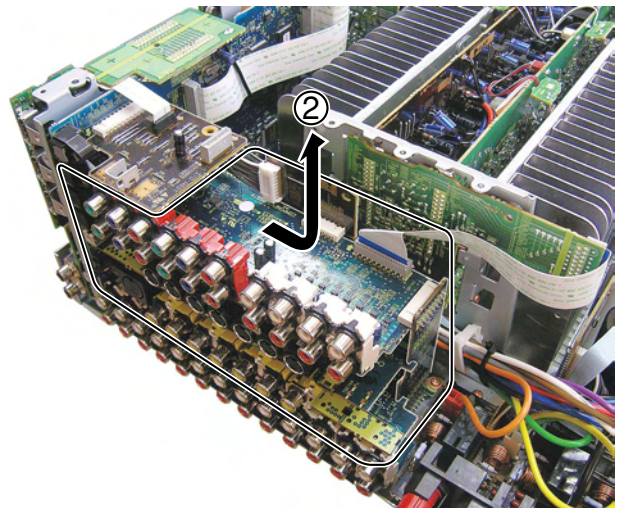
- ① Remove the FM/AM TUNER Unit by removing the one flexible cable.

FM/AM TUNER Unit



● PCB Assys

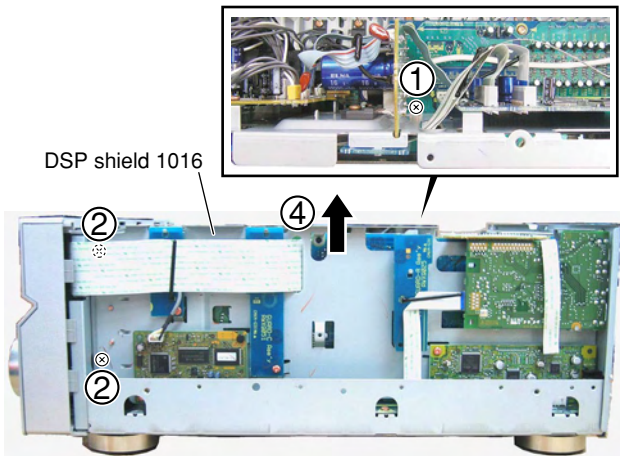
- ① Disconnect cables, connectors, as required.
- ② First remove the BRIDGE 2 Assy, then remove the COMPOSITE, S-VIDEO, COMPONENT and VIDEO CONNECT Assys.



A

● DSP Shield Section

- ① Remove the one screw.
- ② Remove the two screws.
- ③ Disconnect cables, connectors, as required.
- ④ Remove the DSP shield 1016 with PCB Assemblies..



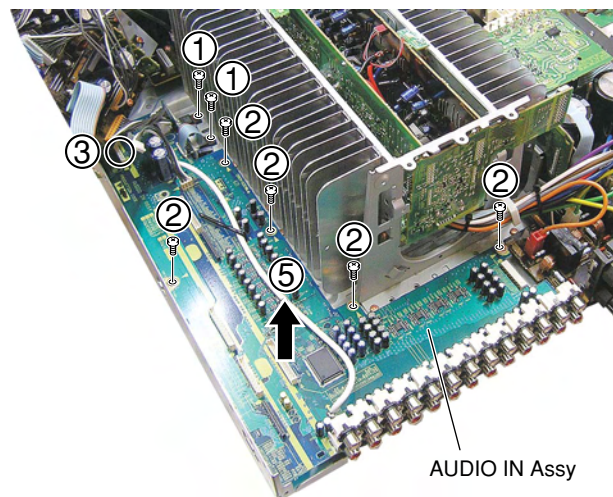
B

C



● AUDIO IN Assy

- ① Remove the two screws.
- ② Remove the five screws.
- ③ Release the locking card spacer.
- ④ Disconnect cables, connectors, as required.
- ⑤ Remove the AUDIO IN Assy.



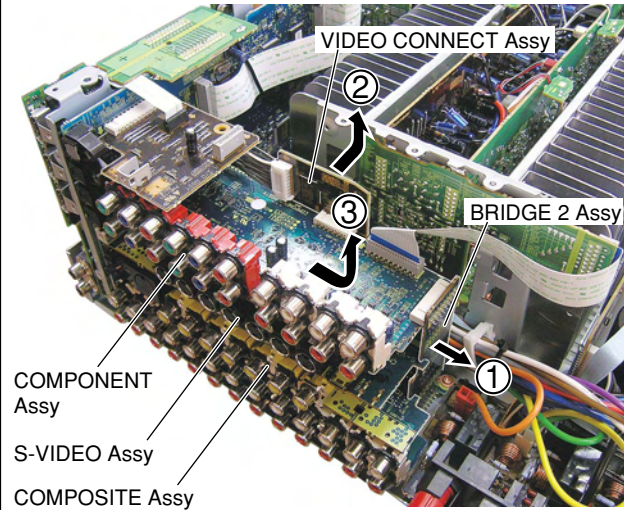
E

F

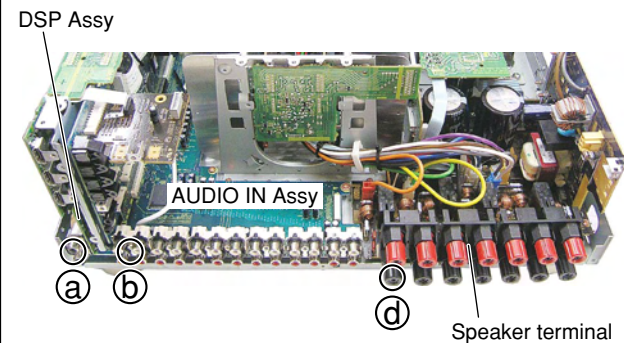
4. Diagnosis

1 Preparations

- ① Remove the bonnet.
 - ② Remove the rear panel.
-
- ① Remove the BRIDGE 2 Assy.
 - ② Remove the VIDEO CONNECT Assy.
 - ③ Remove the COMPONENT, S-VIDEO, COMPOSITE Assys.



- ④ Connect the earth points to chassis as follows.
 - a) Pin jack (GND) on the DSP Assy ↔ chassis
 - b) Pin jack (L side GND) on the AUDIO IN Assy ↔ chassis
 - c) Pin jack (Yellow GND) on the COMPOSITE Assy ↔ chassis
 - d) Speaker terminal (L side black) ↔ chassis



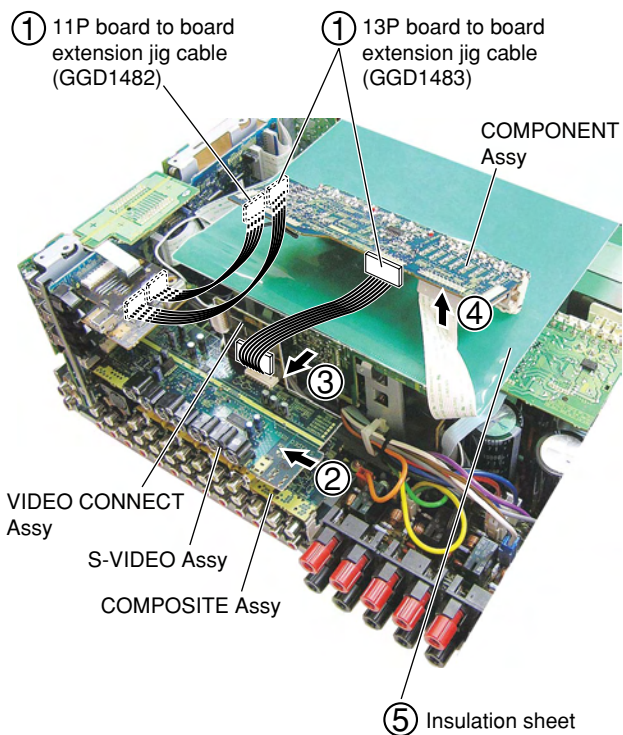
2 Diagnosis

● COMPONENT Assy

Jig cable

- 11P board to board extension jig cable (GGD1482)
- 13P board to board extension jig cable (GGD1483) ×2

- ① Connect the three extension jig cables.
- ② Reassembling the S-VIDEO and COMPOSITE Assys.
- ③ Reassembling the VIDEO CONNECT Assy.
- ④ Connect the one flexible cable.
- ⑤ Insert the insulation sheet.
- ⑥ Arrange the unit as shown in the photo below.



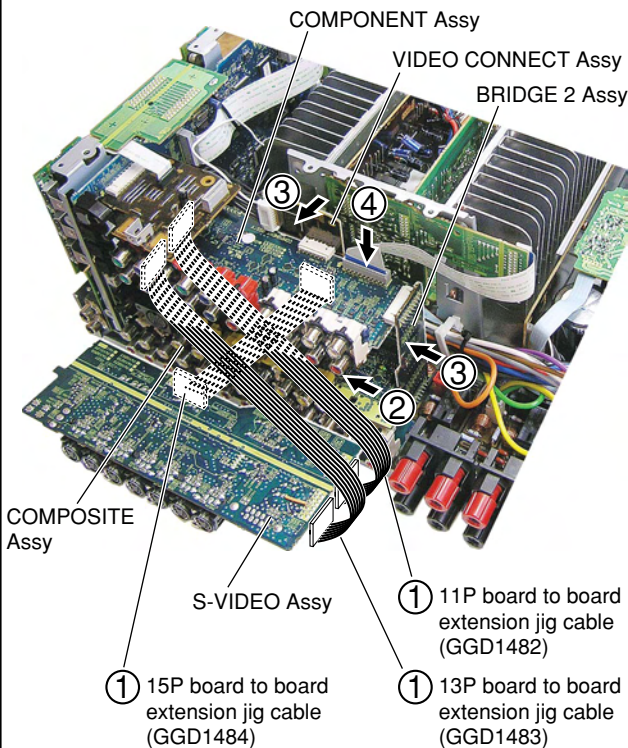
Diagnosis

● S-VIDEO Assy

Jig cable

- 11P board to board extension jig cable (GGD1482)
- 13P board to board extension jig cable (GGD1483)
- 15P board to board extension jig cable (GGD1484)

- ① Connect the three extension jig cables.
- ② Reassembling the COMPONENT and COMPOSITE Assys.
- ③ Reassembling the BRIDGE 2 and VIDEO CONNECT Assys.
- ④ Connect the one flexible cable.



Diagnosis

A

● **COMPOSITE Assy**

Jig cable

- 11P board to board extension jig cable (GGD1482)
- 13P board to board extension jig cable (GGD1483)
- 21P board to board extension jig cable (GGD1485)

- ① Connect the three extension jig cables.
- ② Reassembling the COMPONENT and S-VIDEO Assys.
- ③ Reassembling the BRIDGE 2 and VIDEO CONNECT Assys.
- ④ Connect the one flexible cable.

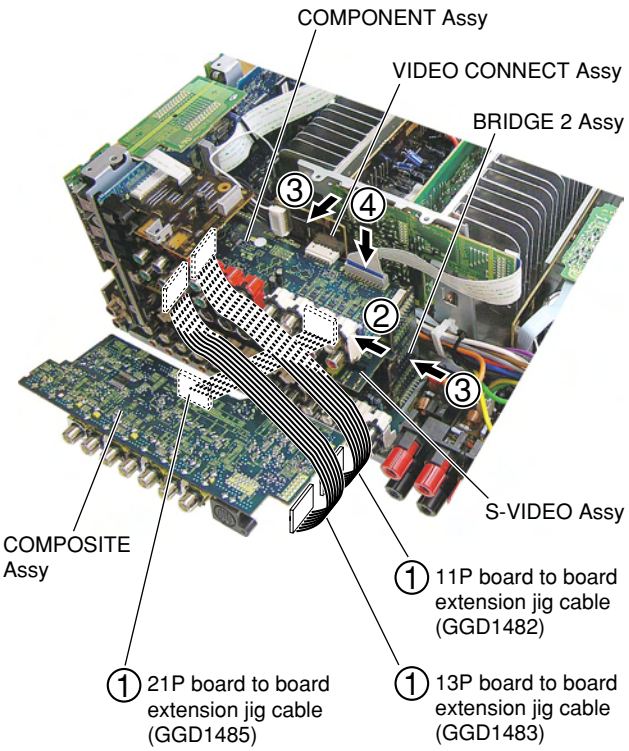
B

C

D

E

F



↓

Diagnosis

7.2 PARTS

7.2.1 IC

• The information shown in the list is basic information and may not correspond exactly to that shown in the schematic diagrams.

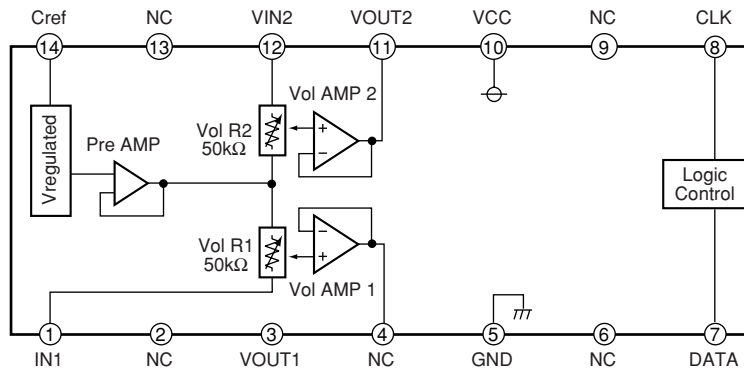
• List of IC

M61545FP, LA7109, PDC131A, PEG244A, TCC760HC01-AG, AAT4618IGV-0.5-1

■ M61545FP (COMPOSITE ASSY : IC1151)

• 2 ch Electronic Volume IC

• Block Diagram



• Pin Function

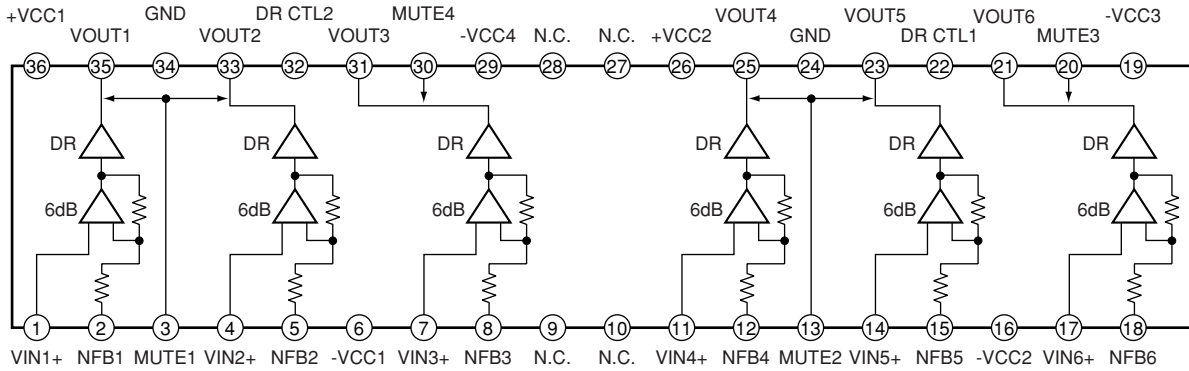
No.	Pin Name	I/O	Pin Function
1	VIN1	I	1-ch input
2	NC	-	Non connection
3	VOUT1	O	1-ch output
4	NC	-	Non connection
5	GND	-	Ground
6	NC	-	Non connection
7	DATA	I	Control data input Inputs data in synchronization with clock.
8	CLK	I	Clock input pin for transferring serial data
9	NC	-	Non connection
10	VCC	-	Power supply
11	VOUT2	O	2-ch output
12	VIN2	I	2-ch input
13	NC	-	Non connection
14	Cref	I	Vref filter

A

LA7109 (COMPOSITE ASSY : IC1004), (S-VIDEO ASSY : IC1205)

• Video Amp IC

● Block Diagram



B

● Pin Function

No.	Pin Name	I/O	Pin Function	No.	Pin Name	I/O	Pin Function
1	VIN1+	I	Input pin	19	-VCC3	-	-VCC power supply
2	NFB1	I	Negative feedback pin of amp	20	MUTE3	I	Changeover pin of mute ability
3	MUTE1	I	Changeover pin of mute ability	21	VOUT6	O	Output pin
4	VIN2+	I	Input pin	22	DR CTL1	I	Changeover pin of drive ability
5	NFB2	I	Negative feedback pin of amp	23	VOUT5	O	Output pin
6	-VCC1	-	-VCC power supply	24	GND	-	Ground
7	VIN3+	I	Input pin	25	VOUT4	O	Output pin
8	NFB3	I	Negative feedback pin of amp	26	+VCC2	-	+VCC power supply
9	N.C.	-	Recommend connecting to -Vcc	27	N.C.	-	Recommend connecting to -Vcc
10	N.C.	-	Recommend connecting to -Vcc	28	N.C.	-	Recommend connecting to -Vcc
11	VIN4+	I	Input pin	29	-VCC4	-	-VCC power supply
12	NFB4	I	Negative feedback pin of amp	30	MUTE4	I	Changeover pin of mute ability
13	MUTE2	I	Changeover pin of mute ability	31	VOUT3	O	Output pin
14	VIN5+	I	Input pin	32	DR CTL2	I	Changeover pin of drive ability
15	NFB5	I	Negative feedback pin of amp	33	VOUT2	O	Output pin
16	-VCC2	-	-VCC power supply	34	GND	-	Ground
17	VIN6+	I	Input pin	35	VOUT1	O	Output pin
18	NFB6	I	Negative feedback pin of amp	36	+VCC1	-	+VCC power supply

D

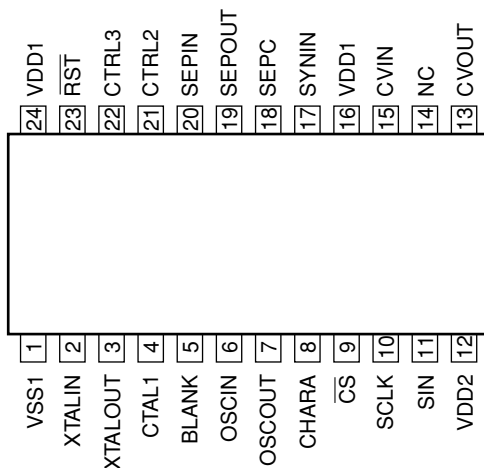
E

F

■ PDC131A (COMPOSITE ASSY : IC1006)

• Character Generator IC

● Pin Arrangement (Top view)



● Pin Function

No.	Pin Name	I/O	Pin Function
1	VSS1	–	Ground connection (digital system ground)
2	XtalIN	I	Crystal oscillator connection
3	XtalOUT	O	Crystal oscillator connection
4	CTRL1	I	Crystal oscillator input switching
5	BLANK	O	Outputs the blank signal
6	OSCIN	I	LC oscillator connection
7	OSCOUT	O	LC oscillator connection
8	CHARA	O	Outputs the character signal
9	\overline{CS}	I	Serial data input enable input
10	SCLK	I	Serial data input clock input
11	SIN	I	Serial data input
12	VDD2	–	Power supply
13	CVOUT	O	Composite video signal output
14	NC	–	Must be either connected to ground or left open.
15	CVIN	I	Composite video signal input
16	VDD1	–	Power supply (+5 V: digital system power supply)
17	SYNIN	I	Video signal input for the built-in sync separator circuit
18	SEPC	I	Built-in sync separator circuit bias voltage monitor pin
19	SEPOUT	O	Built-in sync separator circuit composite sync signal output
20	SEPIN	I	Inputs a vertical synchronization signal created by integrating the SEPOUT pin output signal
21	CTRL2	I	NTSC/PAL-M switching input
22	CTRL3	I	Control whether or not the VSYNC signal is input to the SEPIN input
23	\overline{RST}	I	System reset input
24	VDD1	–	Power supply (+5 V: digital system power supply)

PEG244A (MAIN CONTROL ASSY : IC101)

• Main Microcomputer

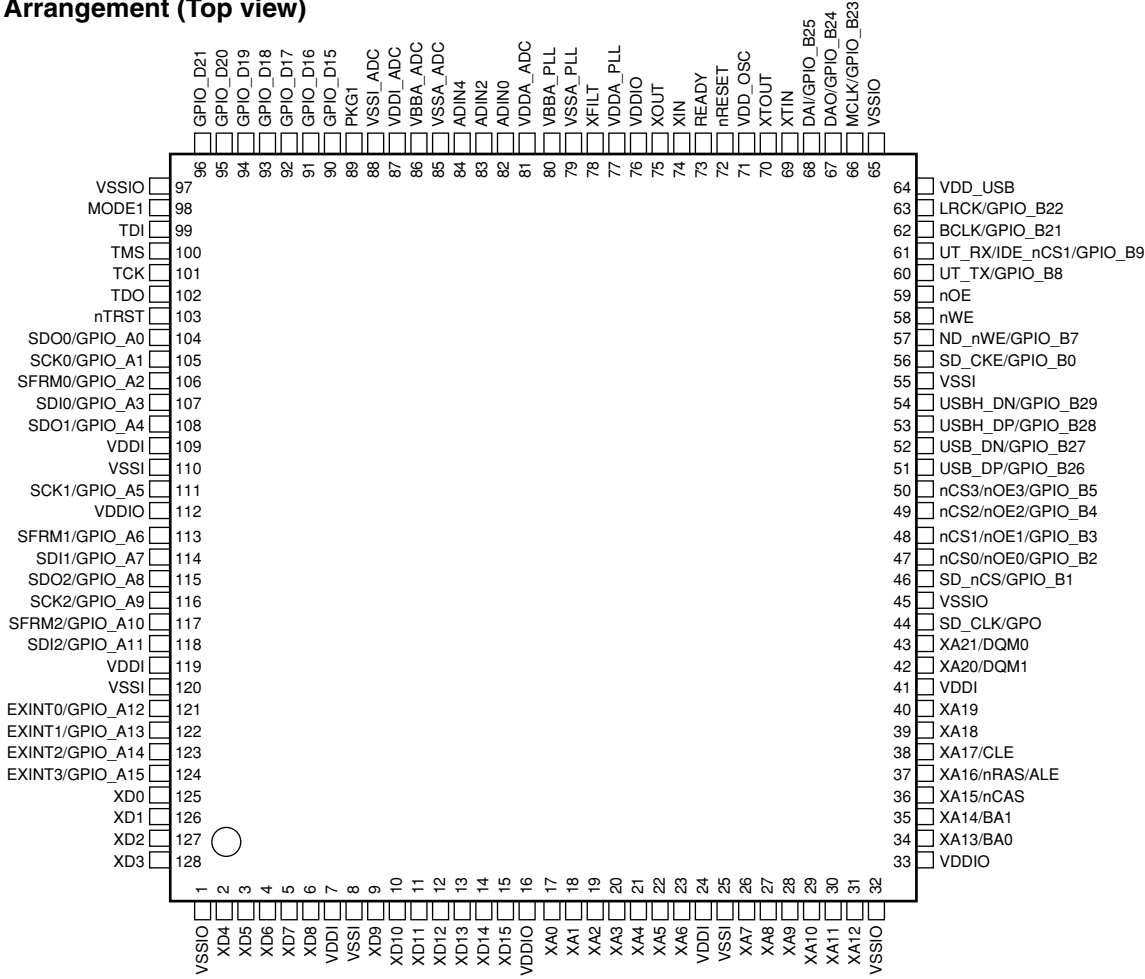
● Pin Function

No.	Mark	Pin Name	I/O	Pin Function
1	P96/ANEX1/SOUT4	USB DI	O/L	Communication data output with the USB module
2	P95/ANEX0/CLK4	USB CK	I	Communication clock input with the USB module
3	P94/DA1/TB4IN	USB TREQ	I	Communication request signal from the USB module
4	P93/DA0/TB3IN	USB POWER ERR	I	Error signal from the USB module
5	P92/TB2IN/SOUT3	DISP DI	O/L	Communication data-out signal with the display microcomputer
6	P91/TB1IN/SIN3	DISP DO	I	Communication data-in signal with the display microcomputer
7	P90/TB0IN/CLK3	DISP CLK	O/L	Communication clock signal with the display microcomputer
8	BYTE	GND	-	GND
9	CNVss	CNVSS	-	Pull-down with 5.1k
10	P87/XCIN	I2C CK(EEPROM/DVC)	O/L	I2C communication clock signal with EEPROM and DVC
11	P86/XCOUT	I2C DT(EEPROM/DVC)	O/L	I3C communication data signal with EEPROM and DVC
12	RESET	XRESET	-	RESET
13	XOUT	XOUT	-	Connect an X'tal
14	VSS	GND	-	GND
15	XIN	XIN	-	Connect an X'tal
16	VCC	5V	-	Power supply 5V
17	P85/NMI	NMI	I	Use is impossible as usual input port 100k pull-up
18	P84/INT2	ACIN(WAKEUP)	I	AC pulse IN (wakeup)
19	P83/INT1	OL DET	I	OVERLOAD detection circuit (L: abnormal)
20	P82/INT0	1W WUP	I	Wakeup signal at standby (from the display microcomputer)
21	P81/TA4IN/U	DISP RST	O/L	Display microcomputer reset signal
22	P80/TA4OUT/U	DISP EN	O/L	Communication enabling signal to the display microcomputer
23	P77/TA3IN	DISP RDY	I	Communication enabling signal from the display microcomputer
24	P76/TA3OUT	OSD DT/EXP DT	O/L	Communication data with the OSD IC and expansion IC
25	P75/TA2IN/W	OSD CLK/EXP CLK	O/L	Communication clock with the OSD IC and expansion IC
26	P74/TA2OUT/W	EXP OE	O/L	OE signal to the expansion IC
27	P73/CTS2/RTS2/TA1IN/V	EXP ST	O/L	ST signal to the expansion IC
28	P72/CLK2/TA1OUT/V	USB HREQ	O/L	Communication enabling signal to the USB module
29	P71/RxD2/SCL/TA0IN/TB5IN	RX(XM)	O/L	XM communication data input
30	P70/TXD2/SDA/TA0OUT	TX(XM)	I	XM communication data output
31	P67/TXD1	TX(SR+)/JIGU	O/L	SR+ communication data output, for Mitsubishi jig rewriting (data output)
32	P66/RxD1	RX(SR+)/JIGU	I	SR+ communication data input, for Mitsubishi jig rewriting (data input)
33	P65/CLK1	232C CLK(JIGU)	O/L	It is necessary when rewrites it with Mitsubishi jig.
34	P64/CTS1/RTS1/CLKS1	232C CTS(JIGU)	O/L	For Mitsubishi jig rewriting (communication permission)
35	P63/TXD0	DSP DI	O/L	Communication data-out signal with Motorola DSP and DIR
36	P62/RxD0	DSP DO	I	Communication data-in signal with Motorola DSP
37	P61/CLK0	DSP CLK	O/L	Communication clock signal with Motorola DSP and DIR
38	P60/CTS0/RTS0	DSP RST	O/L	Reset signal of Motorola DSP
39	P57/RDY/CLKOUT	DSP SS	O/L	Slave select signal to Motorola DSP
40	P56/ALE	BUSY	I	Use at MCACC
41	P55/HOLD	DSP HREQ	I	Error detection signal of Motorola DSP
42	P54/HLDA	DSP MOD	O/L	Mode selection of Motorola DSP (ROM/RAM)
43	P53/BCLK	DSP MUTE	O/L	DSP-ASSY mute
44	P52/RD	ADMD	O/L	DSP Analog/Digital
45	P51/WRH/BHE	DIR DO	I	Communication data-in signal with the DIR/DAC
46	P50/WRL/WR	DIR CS	O/L	Communication chip select signal with the DIR/DAC
47	P47/CS3	LSSN	O/L	DSP SP= LSSN setting
48	P46/CS2	DIR CDC RST	O/L	DIR CODEC reset signal

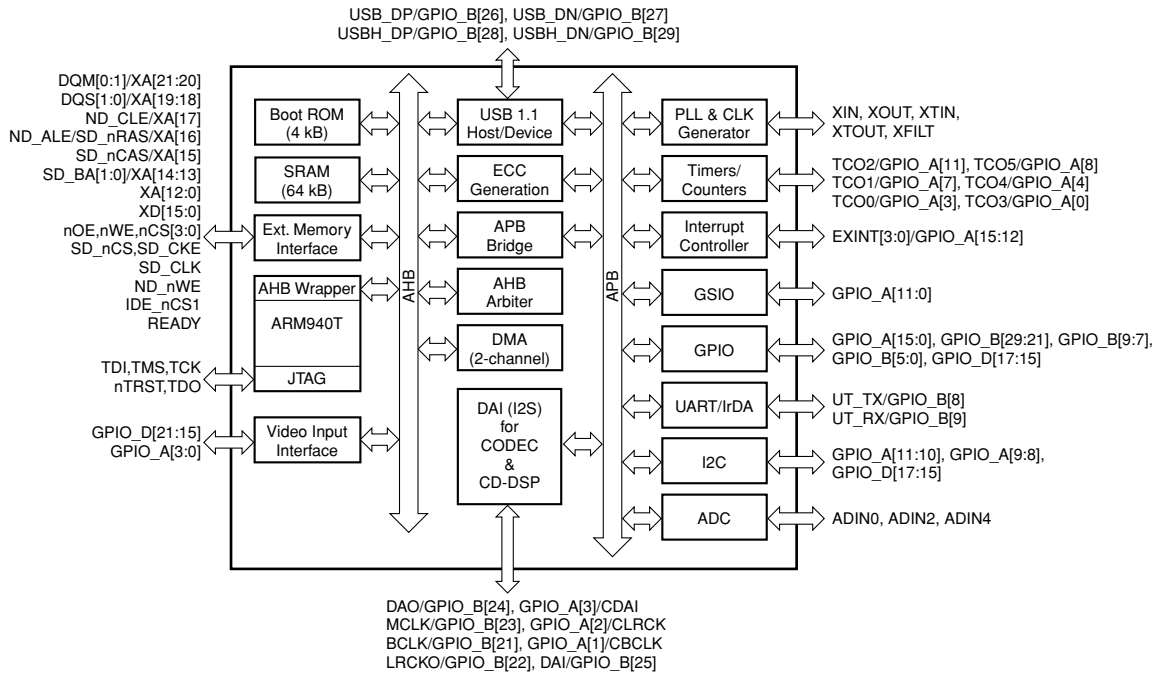
No.	Mark	Pin Name	I/O	Pin Function
49	P45/CS1	DIR ERR	I	Lock/Unlock signal
50	P44/CS0	XTL0	O/L	DIR X'tal switching
51	P43/A19	RY_B	O/L	Speaker B relay ON/OFF
52	P42/A18	RY_C/R	O/L	Rear/Center relay ON/OFF
53	P41/A17	RY_A	O/L	Speaker A relay ON/OFF
54	P40/A16	RY-HP	O/H	HP relay
55	P37/A15	RY-AC	O/L	AC relay ON/OFF
56	P36/A14	SBMUTE	O/L	MUTE for SB ch (L: MUTE)
57	P35/A13	AMUTE	O/L	System mute
58	P34/A12	LOW_CONSUMPTION	O/L	Power control of the audio mute circuit (Turn off the power for power-saving)
59	P33/A11	MR MUTE	O/L	MR MUTE circuit (L: MUTE)
60	P32/A10	GAIN_SE	O/L	Not used
61	P31/A9	EVR CLK	O/L	Communication clock with the main electronic volume and sub electronic volume
62	Vcc	5V	-	Power supply 5V
63	P30/A8(/_/D7)	EVR DT	O/L	Communication data with the main electronic volume
64	Vss	GND	-	GND
65	P27/A7(/D7/D6)	SY DET	I	S-VIDEO signal detection
66	P26/A6(/D6/D5)	NECK 8	O/L	Limiter circuit control output
67	P25/A5(/D5/D4)	NECK 6	O/L	Limiter circuit control output
68	P24/A4(/D4/D3)	XM POW	O/L	XM antenna power supply
69	P23/A3(/D3/D2)	NC	O/L	NC
70	P22/A2(/D2/D1)	NC	O/L	NC
71	P21/A1(/D1/D0)	DSP OVERLOAD	I	ANALOG OVER LOAD detection (H at detection)
72	P20/A0(/D0/_)	DECO MUTE	I	DSP boot success detection port
73	P17/D15/INT5	NC	O/L	NC
74	P16/D14/INT4	DC PROT	I	DC detection input, it is not interrupt
75	P15/D13/INT3	RDS CK/XM LOW SPEED	I	RDS module clock-in signal, Low Speed Data Part
76	P14/D12	RDS DT/LINK ACTIVE(XM)	I	RDS module data-in signal, Link Active indicator
77	P13/D11	RDS FM+/XM RST	O/L	Power ON/OFF of RDS decoder, XM RESET
78	P12/D10	WAKE_UPB (XM)	I	For XMDT communication
79	P11/D9	XM Signal Sw	O/L	XM/DIR switch
80	P10/D8	XM Common Select	O/L	XM COMMAND SELECT
81	P07/D7	TUNER DO	I	Tuner control data-in signal
82	P06/D6	TUNER CLK	O/L	Tuner control clock signal
83	P05/D5	TUNER DI	O/L	Tuner control data-out signal
84	P04/D4	TUNER CE	O/L	Tuner control chip select signal
85	P03/D3	MRVOL	O/L	EVOL communication data for SUBROOM
86	P02/D2	OSD RST	O/L	OSD IC RESET
87	P01/D1	OSD CS	O/L	OSD IC control CS
88	P00/D0	XM Fs	I	FS detecting signal of XM signal, new LSI correspondence
89	P107/AN7/KI3	WATT IN	I	Wattage detection
90	P106/AN6/KI2	HDMI hotplug det	I	HotPlug detection of sink side
91	P105/AN5/KI1	FAN DRIVE	O/L	ON when turns the fan
92	P104/AN4/KI0	FAN STOP	I	Fan forced stop detection
93	P103/AN3	TEMP_1	I	Temperature detection
94	P102/AN2	SIMUKE1	I	Destination reading 1
95	P101/AN1	SIMUKE2	I	Destination reading 2
96	AVSS	AVSS	-	Connect to VSS
97	P100/AN0	XM ERR	I	XM abnormal detection
98	VREF	VREF	-	Connect to VCC
99	AVcc	AVCC	-	Connect to VCC
100	P97/ADTRG/SIN4	USB DO	I	Communication data input with the USB module

TCC760HC01-AG (USB ASSY : IC701)
 • USB Media Control IC

Pin Arrangement (Top view)



Block Diagram



● Pin Functions

No.	Pin Name	I/O	Pin Function
1	VSSIO	–	Digital ground for I/O
2	XD4	I/O	External bus data bit [4]
3	XD5	I/O	External bus data bit [5]
4	XD6	I/O	External bus data bit [6]
5	XD7	I/O	External bus data bit [7]
6	XD8	I/O	External bus data bit [8]
7	VDDI	–	Digital power supply for internal core (1.8 V)
8	VSSI	–	Digital ground for internal
9	XD9	I/O	External bus data bit [9]
10	XD10	I/O	External bus data bit [10]
11	XD11	I/O	External bus data bit [11]
12	XD12	I/O	External bus data bit [12]
13	XD13	I/O	External bus data bit [13]
14	XD14	I/O	External bus data bit [14]
15	XD15	I/O	External bus data bit [15]
16	VDDIO	–	Digital power supply for I/O (1.8 V to 3.3 V)
17	XA0	I/O	External bus address bit [0]
18	XA1	I/O	External bus address bit [1]
19	XA2	I/O	External bus address bit [2]
20	XA3	I/O	External bus address bit [3]
21	XA4	I/O	External bus address bit [4]
22	XA5	I/O	External bus address bit [5]
23	XA6	I/O	External bus address bit [6]
24	VDDI	–	Digital power supply for internal core (1.8 V)
25	VSSI	–	Digital ground for internal
26	XA7	I/O	External bus address bit [7]
27	XA8	I/O	External bus address bit [8]
28	XA9	I/O	External bus address bit [9]
29	XA10	I/O	External bus address bit [10]
30	XA11	I/O	External bus address bit [11]
31	XA12	I/O	External bus address bit [12]
32	VSSIO	–	Digital ground for I/O
33	VDDIO	–	Digital power supply for I/O (1.8 V to 3.3 V)
34	XA13/BA0	I/O	External bus address bit [13] / SDRAM bank address 0
35	XA14/BA1	I/O	External bus address bit [14] / SDRAM bank address 1
36	XA15/nCAS	I/O	External bus address bit [15] / SDRAM CAS signal
37	XA16/nRAS/ALE	I/O	External bus address bit [16] / SDRAM RAS signal / ALE for NAND flash
38	XA17/CLE	I/O	External bus address bit [17] / CLE for NAND flash
39	XA18	I/O	External bus address bit [18]
40	XA19	I/O	External bus address bit [19]
41	VDDI	–	Digital power supply for internal core (1.8 V)
42	XA20/DQM1	I/O	External bus address bit [20] / Data I/O mask 1
43	XA21/DQM0	I/O	External bus address bit [21] / Data I/O mask 0
44	SD_CLK/GPO	I/O	SDRAM clock / GPO, SD_CLK can be used as a general purpose output.
45	VSSIO	–	Digital ground for I/O
46	SD_nCS/GPIO_B1	I/O	Chip select signal for SDRAM, active low / GPIO_B[1]
47	nCS0/nOE0/GPIO_B2	I/O	External bus chip select [0] / NAND flash output enable [0] / GPIO_B[2]
48	nCS1/nOE1/GPIO_B3	I/O	External bus chip select [1] / NAND flash output enable [1] / GPIO_B[3]
49	nCS2/nOE2/GPIO_B4	I/O	External bus chip select [2] / NAND flash output enable [2] / GPIO_B[4]
50	nCS3/nOE3/GPIO_B5	I/O	External bus chip select [3] / NAND flash output enable [3] / GPIO_B[5]

A

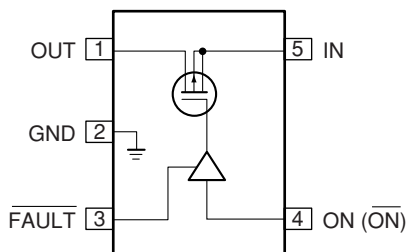
No.	Pin Name	I/O	Pin Function
51	USB_DP/GPIO_B26	I/O	USB function D+ signal / GPIO_B[26]
52	USB_DN/GPIO_B27	I/O	USB function D- signal / GPIO_B[27]
53	USBH_DP/GPIO_B28	I/O	USB host D+ signal / GPIO_B[28]
54	USBH_DN/GPIO_B29	I/O	USB host D- signal / GPIO_B[29]
55	VSSI	–	Digital ground for internal
56	SD_CKE/GPIO_B0	I/O	SDRAM clock enable signal, active high / GPIO_B[0]
57	ND_nWE/GPIO_B7	I/O	NAND flash WE, active low / GPIO_B[7]
58	nWE	I/O	Static memory write enable signal, active low
59	nOE	I/O	Static memory output enable signal, active low
60	UT_TX/GPIO_B8	I/O	UART or IrDA TX data / GPIO_B[8]
61	UT_RX/IDE_nCS1/GPIO_B9	I/O	UART or IrDA RX data / IDE chip select 1 / GPIO_B[9]
62	BCLK/GPIO_B21	I/O	I2S bit clock / GPIO_B[21]
63	LRCK/GPIO_B22	I/O	I2S word clock / GPIO_B[22]
64	VDD_USB	–	Power supply for USB I/O (3.3 V)
65	VSSIO	–	Digital ground for I/O
66	MCLK/GPIO_B23	I/O	I2S system clock / GPIO_B[23]
67	DAO/GPIO_B24	I/O	I2S digital audio data output / GPIO_B[24]
68	DAI/GPIO_B25	I/O	I2S digital audio data input / GPIO_B[25]
69	XTIN	I	Sub crystal oscillator input (32.768 kHz)
70	XTOUT	O	Sub crystal oscillator output (32.768 kHz)
71	VDD_OSC	–	Digital power supply for oscillators (1.8 V)
72	nRESET	I	System reset, active low
73	READY	I	Ready information from external device
74	XIN	I	Main crystal oscillator input for PLL (12 MHz)
75	XOUT	O	Main crystal oscillator output for PLL (12 MHz)
76	VDDIO	–	Digital power supply for I/O (1.8 V to 3.3 V)
77	VDDA_PLL	–	Analog and digital power supply for PLL (1.8 V)
78	XFILT	AO	PLL filter output
79	VSSA_PLL	–	Analog ground for PLL
80	VBBA_PLL	–	Analog ground for PLL
81	VDDA_ADC	–	Analog power supply for ADC (3.3 V)
82	ADIN0	AI	General purpose multi-channel ADC input 0
83	ADIN2	AI	General purpose multi-channel ADC input 2
84	ADIN4	AI	General purpose multi-channel ADC input 4
85	VSSA_ADC	–	Analog ground for ADC
86	VBBA_ADC	–	Analog ground for ADC
87	VDDI_ADC	–	Digital power supply for ADC (1.8 V)
88	VSSI_ADC	–	Digital ground for ADC
89	PKG1	I	Package ID 1, pull-up for normal operation
90	GPIO_D15	I/O	GPIO_D[15]
91	GPIO_D16	I/O	GPIO_D[16]
92	GPIO_D17	I/O	GPIO_D[17]
93	GPIO_D18	I/O	GPIO_D[18]
94	GPIO_D19	I/O	GPIO_D[19]
95	GPIO_D20	I/O	GPIO_D[20]
96	GPIO_D21	I/O	GPIO_D[21]
97	VSSIO	–	Digital ground for I/O
98	MODE1	I	Mode select input 1, Pull-down for normal operation.
99	TDI	I	JTAG serial data input for ARM940T
100	TMS	I	JTAG test mode select for ARM940T

No.	Pin Name	I/O	Pin Function
101	TCK	I	JTAG test clock for ARM940T
102	TDO	I/O	JTAG serial data output for ARM940T
103	nTRST	I	JTAG reset signal for ARM940T, active low
104	SDO0/GPIO_A0	I/O	Serial data output 0 / GPIO_A[0]
105	SCK0/GPIO_A1	I/O	Serial clock input 0 / GPIO_A[1]
106	SFRM0/GPIO_A2	I/O	Serial frame 0 / GPIO_A[2]
107	SDI0/GPIO_A3	I/O	Serial data input 0 / GPIO_A[3]
108	SDO1/GPIO_A4	I/O	Serial data output 1 / GPIO_A[4]
109	VDDI	–	Digital power supply for internal core (1.8 V)
110	VSSI	–	Digital ground for internal
111	SCK1/GPIO_A5	I/O	Serial clock input 1 / GPIO_A[5]
112	VDDIO	–	Digital power supply for I/O (1.8 V to 3.3 V)
113	SFRM1/GPIO_A6	I/O	Serial frame 1 / GPIO_A[6]
114	SDI1/GPIO_A7	I/O	Serial data input 1 / GPIO_A[7]
115	SDO2/GPIO_A8	I/O	Serial data output 2 / GPIO_A[8]
116	SCK2/GPIO_A9	I/O	Serial clock input 2 / GPIO_A[9]
117	SFRM2/GPIO_A10	I/O	Serial frame 2 / GPIO_A[10]
118	SDI2/GPIO_A11	I/O	Serial data input 2 / GPIO_A[11]
119	VDDI	–	Digital power supply for internal core (1.8 V)
120	VSSI	–	Digital ground for internal
121	EXINT0/GPIO_A12	I/O	External interrupt request [0] / GPIO_A[12]
122	EXINT1/GPIO_A13	I/O	External interrupt request [1] / GPIO_A[13]
123	EXINT2/GPIO_A14	I/O	External interrupt request [2] / GPIO_A[14]
124	EXINT3/GPIO_A15	I/O	External interrupt request [3] / GPIO_A[15]
125	XD0	I/O	External bus data bit [0]
126	XD1	I/O	External bus data bit [1]
127	XD2	I/O	External bus data bit [2]
128	XD3	I/O	External bus data bit [3]

■ AAT4618IGV-0.5-1 (USB ASSY : IC771)

• Load Switching IC

● Pin Arrangement (Top view)

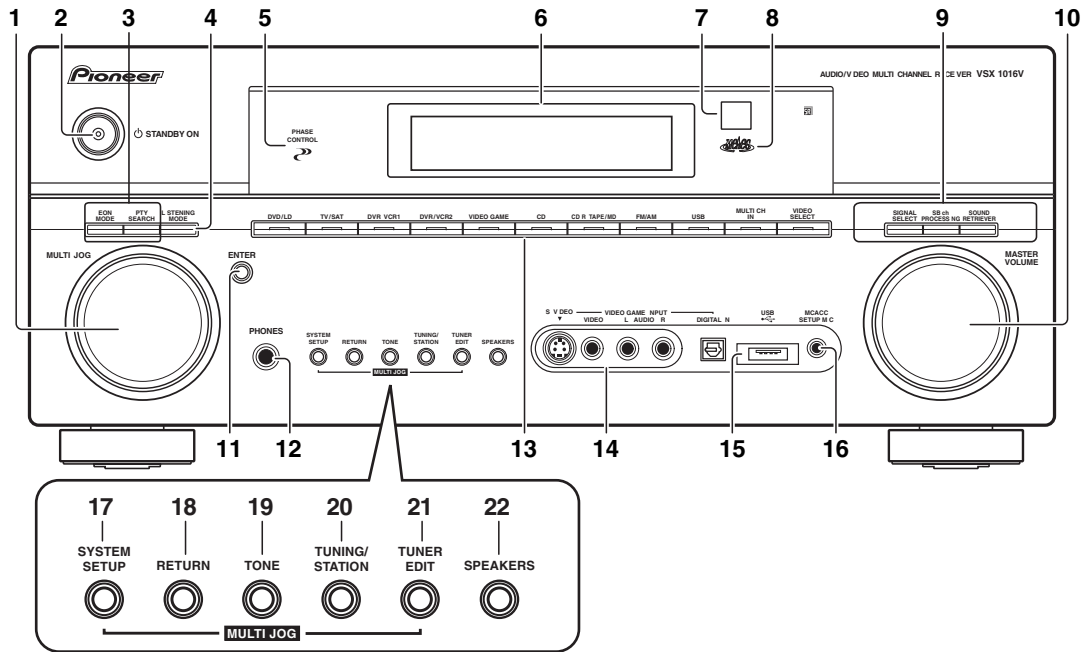


● Pin Function

No.	Pin Name	I/O	Pin Function
1	OUT	O	P-channel MOS FET drain
2	GND	–	Ground
3	FAULT	O	Open-drain FAULT output
4	ON (ON)	I	Enable input: 4618 active low, 4618- active high
5	IN	I	P-channel MOS FET source

8. PANEL FACILITIES

Front panel (VSX-1016V-K, VSX-1016V-S)



1 MULTI JOG dial

Use the **MULTI JOG** dial to select various settings and menu options.

2 **⏻** STANDBY/ON

Switches the receiver between on and standby. Power indicator lights when the receiver is on.

3 **EON MODE**

Use to search for programs that are broadcasting traffic or news information.

PTY SEARCH

Use this button to search for RDS program types.

4 **LISTENING MODE**

Use with the **MULTI JOG** dial to select the various listening modes.

5 **PHASE CONTROL** indicator

Lights when Basic Phase Control is switched on.

6 **Character display**

7 **Remote sensor**

Receives the signals from the remote control.

8 **MCACC indicator**

Lights when Acoustic Calibration EQ is on (Acoustic Calibration EQ is automatically set to **ALL CH ADJUST** after the Auto MCACC Setup or EQ Auto Setup).

9 **SIGNAL SELECT**

Use to select an input signal.

SBch PROCESSING - Selects the surround back channel mode or virtual surround back mode.

SOUND RETRIEVER - Press to restore CD quality sound to compressed audio sources.

10 **MASTER VOLUME** dial

11 **ENTER**

12 **PHONES** jack

Use to connect headphones. When the headphones are connected, there is no sound output from the speakers.

13 **Input source buttons**

Press to select an input source (press **VIDEO SELECT** repeatedly to select the video source).

14 **VIDEO/GAME INPUT**

15 **USB interface**

(VSX-1016V-K, VSX-1016V-S, VSX-1016TXV-K only)

Connect a USB audio device for playback.

16 **MCACC SETUP MIC** jack

Use to connect the supplied microphone.

17 **SYSTEM SETUP**

Press to access the System Setup menu.

18 **RETURN**

Press to confirm and exit the current menu screen.

19 **TONE**

Press this button to access the bass and treble controls, which you can then adjust with the **MULTI JOG** dial.

20 **TUNING/STATION**

Use to find radio frequencies and to select preset stations.

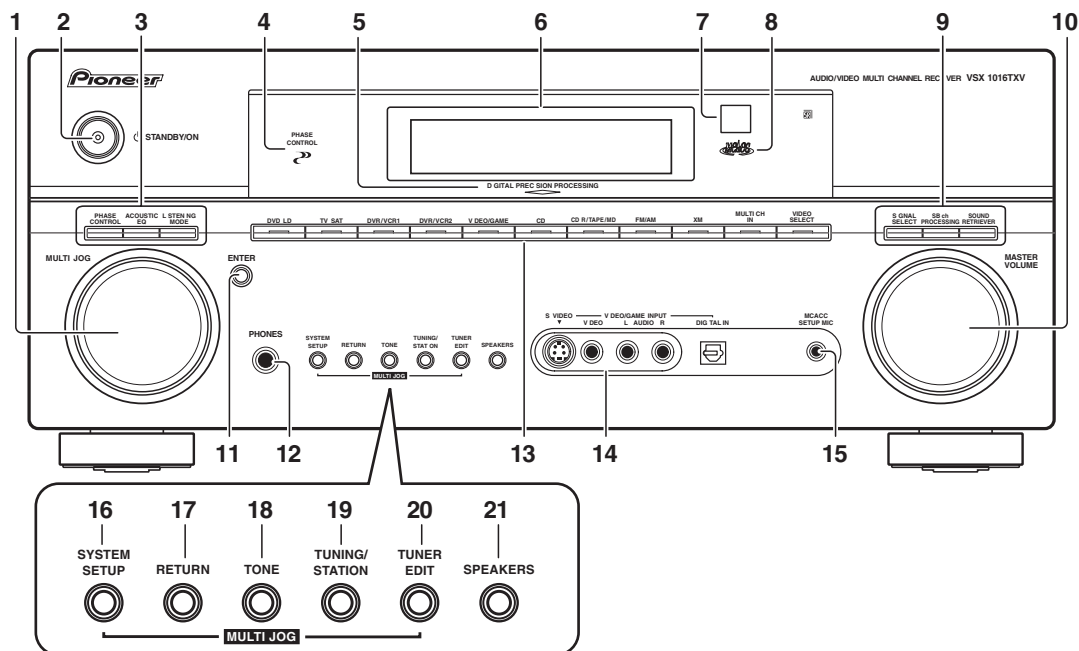
21 **TUNER EDIT**

Use with the **MULTI JOG** dial to memorize and name stations for recall.

22 **SPEAKERS**

Use to change the speaker system.

Front panel (VSX-1016TXV-K)



1 MULTI JOG dial

Use the **MULTI JOG** dial to select various settings and menu options.

2 **⏻** STANDBY/ON

Switches the receiver between on and standby. Power indicator lights when the receiver is on.

3 PHASE CONTROL - Press to switch on/off Basic Phase Control.

ACOUSTIC EQ - Press to select an Acoustic Calibration EQ setting

LISTENING MODE - Use with the **MULTI JOG** dial to select the various listening modes.

4 **PHASE CONTROL** indicator

Lights when Basic Phase Control is switched on.

5 **DIGITAL PRECISION PROCESSING** indicator

Lights to indicate digital processing (for example, it disappears when listening through the multichannel analog inputs).

6 **Character display**

7 **Remote sensor**

Receives the signals from the remote control.

8 **MCACC** indicator

Lights when Acoustic Calibration EQ is on (Acoustic Calibration EQ is automatically set to **ALL CH ADJUST** after the Auto MCACC Setup or EQ Auto Setup).

9 **SIGNAL SELECT**

Use to select an input signal.

SBch PROCESSING - Selects the surround back channel mode or virtual surround back mode.

SOUND RETRIEVER - Press to restore CD quality sound to compressed audio sources.

10 **MASTER VOLUME** dial

11 **ENTER**

12 **PHONES** jack

Use to connect headphones. When the headphones are connected, there is no sound output from the speakers.

13 **Input source** buttons

Press to select an input source (press **VIDEO SELECT** repeatedly to select the video source).

14 **VIDEO/GAME** INPUT

15 **MCACC SETUP** MIC jack

Use to connect the supplied microphone.

16 **SYSTEM** SETUP

Press to access the System Setup menu.

17 **RETURN**

Press to confirm and exit the current menu screen.

18 **TONE**

Press this button to access the bass and treble controls, which you can then adjust with the **MULTI JOG** dial.

19 **TUNING/STATION**

Use to find radio frequencies and to select preset stations.

20 **TUNER** EDIT

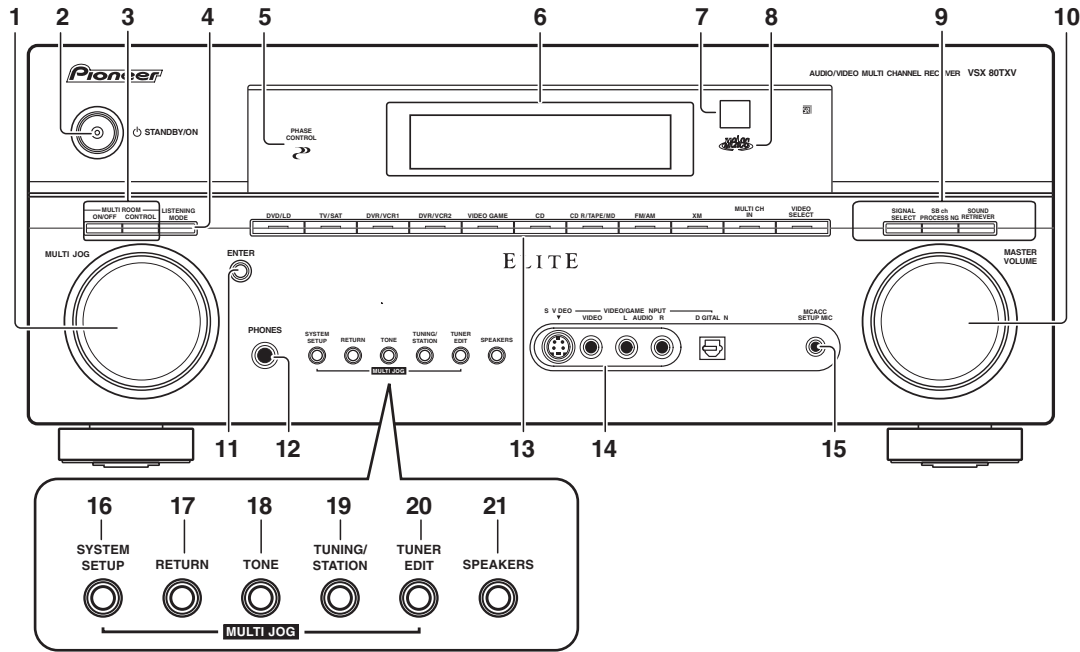
Use with the **MULTI JOG** dial to memorize and name stations for recall.

21 **SPEAKERS**

Use to change the speaker system.

A

Front panel (VSX-80TXV, VSX-80TXV-S)



B

C

1 MULTI JOG dial

Use the **MULTI JOG** dial to select various settings and menu options.

2 STANDBY/ON

Switches the receiver between on and standby. Power indicator lights when the receiver is on.

3 MULTI ROOM controls

If you've made multi-room connections use these controls to control the sub room from the main room.

4 LISTENING MODE

Use with the **MULTI JOG** dial to select the various listening modes.

5 PHASE CONTROL indicator

Lights when Basic Phase Control is switched on.

6 Character display

7 Remote sensor

Receives the signals from the remote control.

8 MCACC indicator

Lights when Acoustic Calibration EQ is on (Acoustic Calibration EQ is automatically set to **ALL CH ADJUST** after the Auto MCACC Setup or EQ Auto Setup).

9 SIGNAL SELECT

Use to select an input signal.

SBch PROCESSING - Selects the surround back channel mode or virtual surround back mode.

SOUND RETRIEVER - Press to restore CD quality sound to compressed audio sources.

10 MASTER VOLUME dial

11 ENTER

12 PHONES jack

Use to connect headphones. When the headphones are connected, there is no sound output from the speakers.

13 Input source buttons

Press to select an input source (press **VIDEO SELECT** repeatedly to select the video source).

14 VIDEO/GAME INPUT

15 MCACC SETUP MIC jack

Use to connect the supplied microphone.

16 SYSTEM SETUP

Press to access the System Setup menu.

17 RETURN

Press to confirm and exit the current menu screen.

18 TONE

Press this button to access the bass and treble controls, which you can then adjust with the **MULTI JOG** dial.

19 TUNING/STATION

Use to find radio frequencies and to select preset stations.

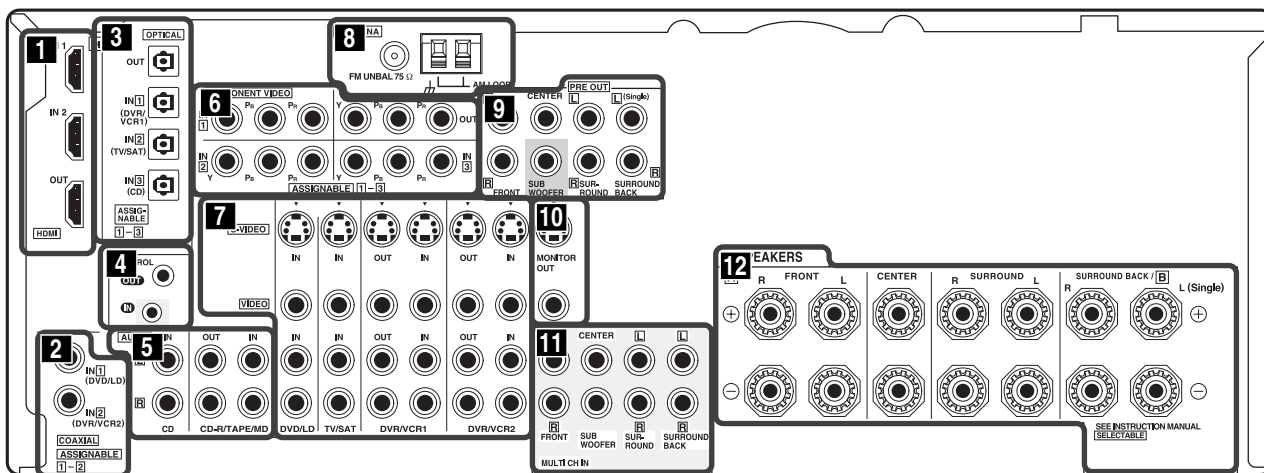
20 TUNER EDIT

Use with the **MULTI JOG** dial to memorize and name stations for recall.

21 SPEAKERS

Use to change the speaker system.

Rear panel (VSX-1016V-K, VSX-1016V-S)



Caution

- Before making or changing the connections, switch off the power and disconnect the power cord from the power outlet. Plugging in should be the final step.

1 HDMI connectors (x3)

Two inputs and one output for high-quality audio/video connection to compatible HDMI devices.

→ Connecting using HDMI.

2 Coaxial digital audio inputs (x2)

Use for digital audio sources, including DVD players/recorders, digital satellite receivers, CD players, etc.

3 Optical digital audio output / input(s) (x4)

Use the **OUT** jack for recording to a CD or MiniDisc recorder.

→ Connecting digital audio sources.

Use the **IN** jacks for digital audio sources, including DVD players/recorders, digital satellite receivers, CD players, etc.

4 Control input/output

Use to connect other Pioneer components so that you can control all your equipment from a single IR remote sensor.

→ Operating other Pioneer components with this unit's sensor.

5 Stereo analog audio source inputs/(outputs) (x3)

Use for connection to audio sources such as CD players, tape decks, turntables, etc.

→ Connecting analog audio sources.

6 Component video connections (x4)

Use the inputs to connect any video source that has component video output, such as a DVD recorder. Use the output for connection to a monitor or TV.

→ Using the component video jacks.

7 Audio/video source inputs/(outputs) (x6)

Use for connection to audio/visual sources, such as DVD players/recorders, VCRs, etc. Each set of inputs has jacks for composite video, S-video and stereo analog audio.

→ Connecting a DVD/HDD recorder, VCR and other video sources.

8 AM and FM antenna terminals

Use to connect indoor or outdoor antennas for radio broadcasts.

→ Connecting antennas.

9 Multichannel pre-amplifier outputs

Use to connect separate amplifiers for front, center, surround, surround back and subwoofer channels.

→ Connecting additional amplifiers.

10 Composite and S-video monitor outputs

Use to connect monitors and TVs.

→ Connecting your TV and DVD player.

11 Multichannel analog audio inputs

7.1 channel inputs for connection to a DVD player with multichannel analog outputs.

→ Connecting the multichannel analog inputs.

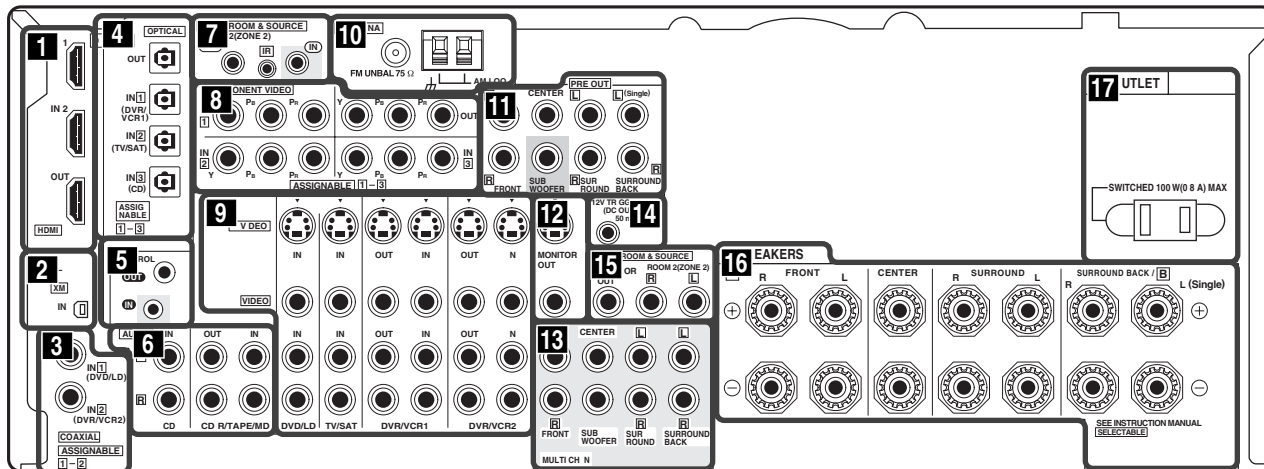
12 Speaker terminals

Use for connection to the main front, center, surround and surround back speakers.

→ Installing your speaker system.

Rear panel (VSX-1016TXV-K, VSX-80TXV, VSX-80TXV-S)

7 14 15 : VSX-80TXV, VSX-80TXV-S only



VSX-1016TXV-K, VSX-80TXV, VSX-80TXV-S

Caution

- Before making or changing the connections, switch off the power and disconnect the power cord from the power outlet. Plugging in should be the final step.

1 HDMI connectors (x3)

Two inputs and one output for high-quality audio/video connection to compatible HDMI devices.
→ Connecting using HDMI.

2 XM Radio input

→ See Using XM Radio.

3 Coaxial digital audio inputs (x2)

Use for digital audio sources, including DVD players/recorders, digital satellite receivers, CD players, etc.
→ See also The Input Assign menu on page 50 to assign the inputs.

4 Optical digital audio output / input(s) (x4)

Use the **OUT** jack for recording to a CD or MiniDisc recorder.

→ Connecting digital audio sources on page 15.
IN
Use the jacks for digital audio sources, including DVD players/recorders, digital satellite receivers, CD players, etc.
→ See also The Input Assign menu on page 50 to assign the inputs.

5 Control input/output

Use to connect other Pioneer components so that you can control all your equipment from a single IR remote sensor.
→ Operating other Pioneer components with this unit's sensor.

6 Stereo analog audio source inputs/outputs (x3)

Use for connection to audio sources such as CD players, tape decks, turntables, etc.
→ Connecting analog audio sources.

7 Remote input (multi-room and source)

Use for connection to an external remote control sensor for use in a multi-room setup, for example.
→ Connecting an IR receiver.

VSX-80TXV, VSX-80TXV-S only

8 Component video connections (x4)

Use the inputs to connect any video source that has component video output, such as a DVD recorder. Use the output for connection to a monitor or TV.
→ Using the component video jacks.

9 Audio/video source inputs/outputs (x6)

Use for connection to audio/visual sources, such as DVD players/recorders, VCRs, etc. Each set of inputs has jacks for composite video, S-video and stereo analog audio.
→ Connecting a DVD/HDD recorder, VCR and other video sources.

10 AM and FM antenna terminals

Use to connect indoor or outdoor antennas for radio broadcasts.
→ Connecting antennas.

11 Multichannel pre-amplifier outputs

Use to connect separate amplifiers for front, center, surround, surround back and subwoofer channels.
→ Connecting additional amplifiers (see also Installing your speaker system for powered subwoofer connection).

12 Composite and S-video monitor outputs

Use to connect monitors and TVs.
→ Connecting your TV and DVD player.

13 Multichannel analog audio inputs

7.1 channel inputs for connection to a DVD player with multichannel analog outputs.
→ Connecting the multichannel analog inputs.

14 12V trigger jack (total 50 mA max.)

Use to switch components in your system on and off according to the input function of the receiver.
→ Switching components on and off using the 12 volt trigger.

15 Multi-room and source outputs

Use to connect a second amplifier in a separate room.
→ Multi-room listening.

VSX-80TXV, VSX-80TXV-S only

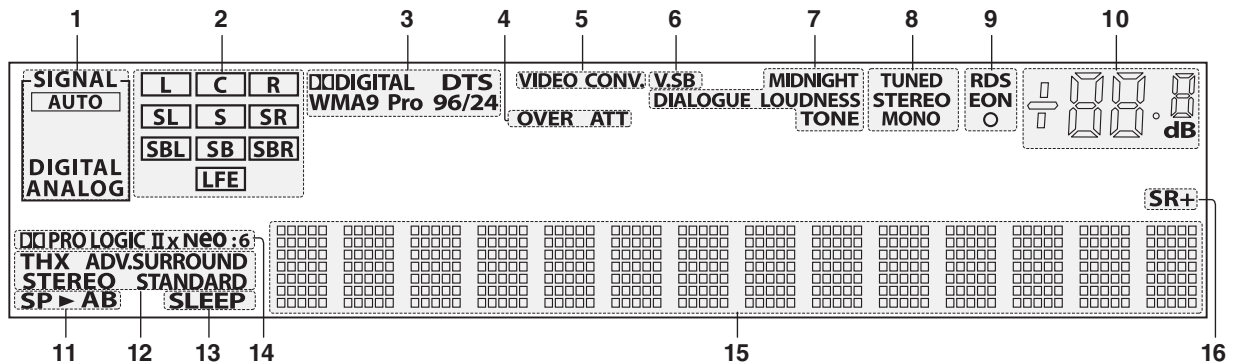
16 Speaker terminals

Use for connection to the main front, center, surround and surround back speakers.
→ Installing your speaker system.

17 Switched AC power outlet (100 W/0.8 A max.)

Use to power another component in the system. Power to the outlet switches on and off with the receiver.
→ AC outlet.

Display (VSX-1016V-K, VSX-1016V-S)



1 SIGNAL indicators

Light to indicate the currently selected input signal.

AUTO lights when the receiver is set to select the input signal automatically.

2 Program format indicators

These change according to which channels are active in digital sources.

- L** - Left front channel
- C** - Center channel
- R** - Right front channel
- SL** - Left surround channel
- S** - Surround channel (mono)
- SR** - Right surround channel
- SBL** - Left surround back channel
- SB** - Surround back channel (mono)
- SBR** - Right surround back channel
- LFE** - Low frequency effects channel

3 Digital format indicators

Light when a signal encoded in the corresponding format is detected.

4 OVER / ATT

OVER lights to indicate that the level of an analog source is too high. **ATT** lights when you use the attenuator (**ANALOG ATT**) to reduce it.

5 VIDEO CONV.

Lights when digital video conversion is enabled.

6 V.SB

Lights during Virtual surround back processing.

7 Sound processing indicators

Light according to the active sound processing feature.

8 TUNER indicators

- TUNED** - Lights when a broadcast is being received.
- STEREO** - Lights when a stereo FM broadcast is being received in auto stereo mode.
- MONO** - Lights when the mono mode is set using the **MPX** button.

9 EON / RDS indicators

EON - Lights when the EON mode is set (flashes during EON reception). The **○** indicator lights when the current station carries the EON service.

RDS - Lights when an RDS broadcast is received.

10 Master volume level

11 Speaker indicators

Indicate the current speaker system, **A** and/or **B**.

12 Listening mode indicators

THX - Lights when a Home THX mode is selected.

ADV. SURROUND - Lights when an Advanced Surround mode has been selected.

STEREO - Lights when stereo listening is switched on.

STANDARD - Lights when a Standard Surround mode is switched on.

13 SLEEP

Lights when the receiver is in sleep mode.

14 Matrix decoding format indicators

PRO LOGIC IIx - This lights to indicate **PRO LOGIC II** / **PRO LOGIC IIx** decoding.

Neo:6 - When one of the Neo:6 modes of the receiver is on, this lights to indicate Neo:6 processing.

15 Character display

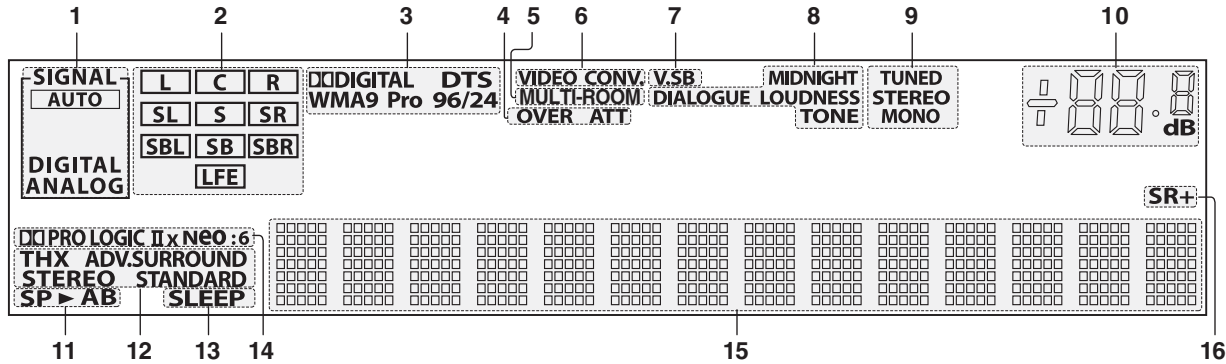
Displays various system information.

16 SR+

Lights when the SR+ mode is switched on.

A

Display (VSX-1016TXV-K, VSX-80TXV, VSX-80TXV-S)



5: VSX-80TXV, VSX-80TXV-S only

1 SIGNAL indicators

Light to indicate the currently selected input signal.
AUTO lights when the receiver is set to select the input signal automatically.

2 Program format indicators

These change according to which channels are active in digital sources.

- L - Left front channel
- C - Center channel
- R - Right front channel
- SL - Left surround channel
- S - Surround channel (mono)
- SR - Right surround channel
- SBL - Left surround back channel
- SB - Surround back channel (mono)
- SBR - Right surround back channel
- LFE - Low frequency effects channel

3 Digital format indicators

Light when a signal encoded in the corresponding format is detected.

4 OVER / ATT

OVER lights to indicate that the level of an analog source is too high. **ATT** lights when you use the attenuator (**ANALOG ATT**) to reduce it.

5 MULTI-ROOM

VSX-80TXV, VSX-80TXV-S only

Lights when the multi-room feature is active.

6 VIDEO CONV.

Lights when digital video conversion is enabled.

7 V.SB

Lights during Virtual surround back processing.

8 Sound processing indicators

Light according to the active sound processing feature.

9 TUNER indicators

- TUNED** - Lights when a broadcast is being received.
- STEREO** - Lights when a stereo FM broadcast is being received in auto stereo mode.
- MONO** - Lights when the mono mode is set using the **MPX** button.

10 Master volume level

11 Speaker indicators

Indicate the current speaker system, **A** and/or **B**.

12 Listening mode indicators

- THX** - Lights when a Home THX mode is selected.
- ADV. SURROUND** - Lights when an Advanced Surround mode has been selected.
- STEREO** - Lights when stereo listening is switched on.
- STANDARD** - Lights when a Standard Surround mode is switched on.

13 SLEEP

Lights when the receiver is in sleep mode.

14 Matrix decoding format indicators

- PRO LOGIC IIx** - This lights to indicate Pro Logic II / Pro Logic IIx decoding.
- Neo: 6** - When one of the Neo:6 modes of the receiver is on, this lights to indicate Neo: 6 processing.

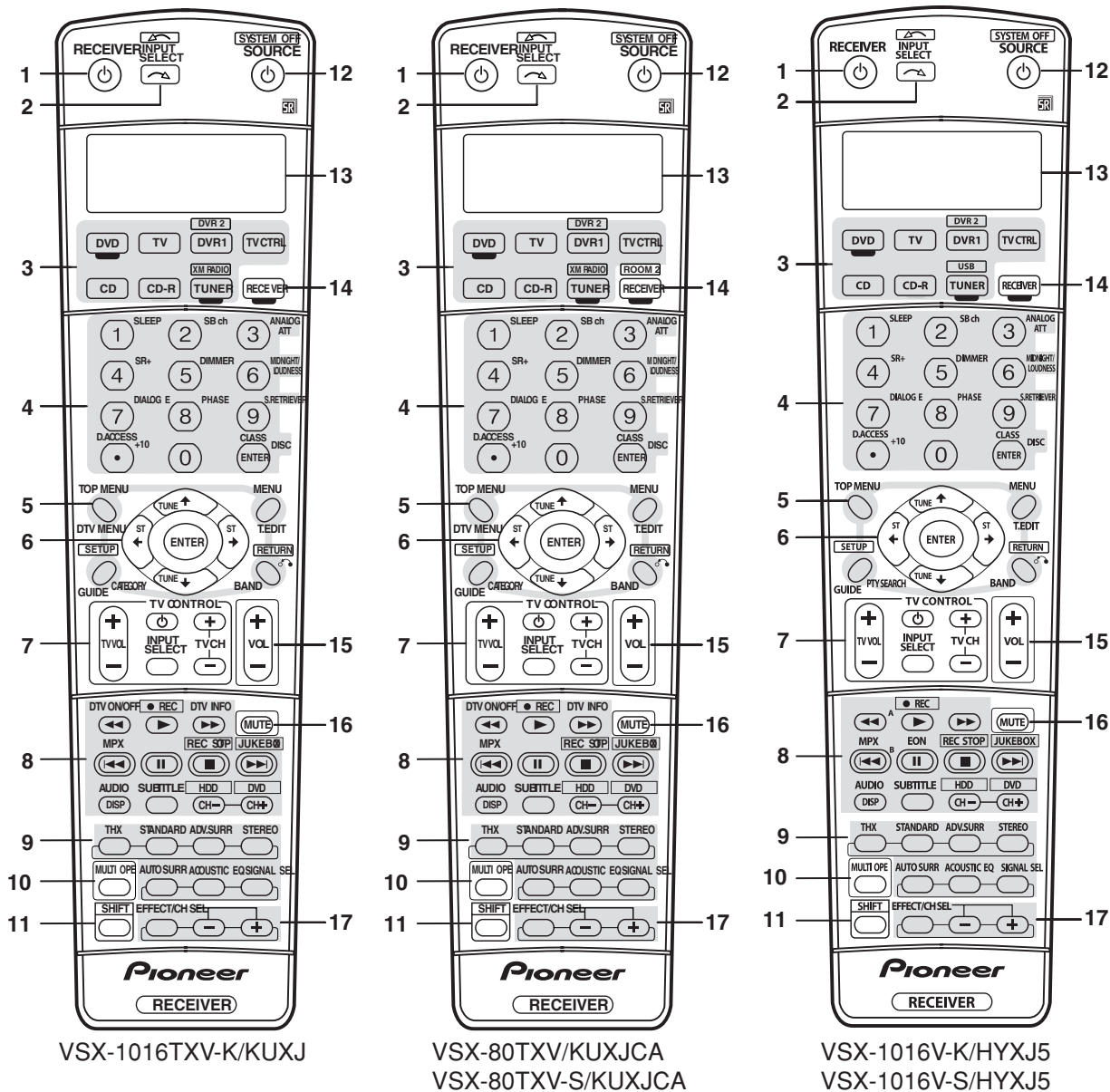
15 Character display

Displays various system information.

16 SR+

Lights when the SR+ mode is switched on.

Remote control



VSX-1016TXV-K/KUXJ

VSX-80TXV-K/KUXJCA
VSX-80TXV-S/KUXJCAVSX-1016V-K/HYXJ5
VSX-1016V-S/HYXJ5

The remote has been conveniently color-coded according to component control using the following system (press the corresponding input source button to access):

- **Green** - Receiver controls (see below)
- **Red** - DVD controls
- **Blue** - Tuner controls
- **White** - Other controls

1 RECEIVER

This switches between standby and on for this receiver.

2 INPUT SELECT

Use to select the input source (use **SHIFT** for **INPUT SELECT**

3 Input source buttons

Press to select control of other components.

4 Number buttons and other receiver/component controls

Use the number buttons to directly select a radio frequency or the tracks on a CD, DVD, etc.

DISC (ENTER) can be used to enter commands for TV or DTV, and also to select a disc in a multi-CD player.

Press **RECEIVER** first to access:

SLEEP - Use to put the receiver in sleep mode and select the amount of time before sleep.

SBch - Use to select the surround/virtual back channel mode.

ANALOG ATT - Attenuates (lowers) the level of an analog input signal to prevent distortion.

SR+ - Switches the SR+ mode on/off.

DIMMER - Dims or brightens the display.

MIDNIGHT/LOUDNESS - Use Midnight when listening to movie soundtracks at low volume. Use Loudness to boost the bass and treble at low volume.

A

DIALOG E - Use to make dialog stand out when watching TV or a movie.

PHASE - Press to switch on/off Basic Phase Control.

S. RETRIEVER - Press to restore CD quality sound to compressed audio sources.

Press **TUNER** first to access:

D.ACCESS - After pressing, you can access a radio station directly using the number buttons.

CLASS - Switches between the three banks (classes) of radio station presets.

B 5 Tuner/component control buttons/SETUP

These button controls can be accessed after you have selected the corresponding input source button (**DVD**, **DVR1**, **TV**, etc.). Press **RECEIVER** first to access the following controls:

SETUP - Use to access the System Setup menu.

RETURN - Press to confirm and exit the current menu screen (also use to return to the previous menu with DVDs or to select closed captioning with DTV).

C 6 ◀▶↕ (TUNE/ST) / ENTER

Use the arrow buttons when setting up your surround sound system. Also used to control DVD menus/options and for deck 1 of a double cassette deck player. Use the **TUNE** ◀/▶ buttons to find radio frequencies and use **ST** ◀/▶ to find preset stations.

D 7 TV CONTROL buttons

These buttons are dedicated to control the TV assigned to the **TV CTRL** button. Thus if you only have one TV to hook up to this system assign it to the **TV CTRL** input source button. If you have two TVs, assign the main TV to the **TV CTRL** button.

TV ⏻ - Use to turn on/off the power of the TV.

TV VOL +/- - Use to adjust the volume on your TV.

INPUT SELECT - Use to select the TV input signal.

TV CH +/- - Use to select channels.

E 8 Component control buttons

The main buttons (▶, ■, etc.) are used to control a component after you have selected it using the input source buttons.

The controls above these buttons can be accessed after you have selected the corresponding input source button (for example **DVD**, **DVR1** or **TV**). The following controls can be accessed when listening to the built-in tuner:

MPX - Switches between stereo and mono reception of FM broadcasts. If the signal is weak then switching to mono will improve the sound quality.

DISP - Switches between named station presets and radio frequencies. Also used to display RDS information.

EON - Use to search for programs that are broadcasting traffic or news information.

F 9 Receiver controls

THX - Press to select a Home THX listening mode.

STANDARD - Press for Standard decoding and to switch between the various **DD** Pro Logic IIx and Neo: 6 options.

ADV.SURR - Use to switch between the various

surround modes.

STEREO - Switches between direct and stereo playback. Direct playback bypasses the tone controls and any other signal processing for the most accurate reproduction of a source.

AUTO SURR - Selects Auto Surround (Auto playback).


ACOUSTIC EQ - Press to select an Acoustic Calibration EQ setting.

SIGNAL SEL - Use to select an input signal.

10 MULTI OPE

Use this button to perform multi operations.

11 SHIFT

Press to access the controls outlined in white boxes (for example, **INPUT SELECT** ) , or to display the currently selected input source in the remote control LCD.

12 SOURCE ⏻

Press to turn on/off other components connected to the receiver.

13 Character display (LCD)

This display shows information when transmitting control signals.

The following commands are shown when you're setting the remote to control other components:

SETUP - Indicates the setup mode, from which you choose the options below.

PRESET - See Selecting preset codes directly.

LEARNING - See Programming signals from other remote controls.

MULTI OP - See Multi Operation and System Off.

SYS OFF - See Multi Operation and System Off.

DIRECT F - See Direct function.

RENAME - See Renaming input source names.

ERASE - See Erasing one of the remote control button settings.

RESET - See Resetting the remote control presets.

READ ID - See Confirming preset codes.

14 RECEIVER

Switches the remote to control the receiver (used to select the green commands above the number buttons (**ANALOG ATT**, etc)). Also use this button to set up surround sound.

15 VOL +/-

Use to set the listening volume.

16 MUTE

Mutes the sound or restores the sound if it has been muted (adjusting the volume also restores the sound).

17 EFFECT/CH SEL

Press repeatedly to select a channel, then use +/- to adjust the level. Also adjusts the level of the Advanced Surround effects, Dolby Pro Logic IIx Music, and Neo: 6 Music parameters. You can then use the +/- buttons to make these adjustments.

■

5

■

6

■

7

■

8

■

A

■

B

■

C

■

D

■

E

■

F

■

5

■

6

VSX-1016V-K

■

7

■

8

■

■ Jigs list

A

Name	Jig No.	Remarks
11P board to board extension jig cable	GGD1482	Diagnosis
13P board to board extension jig cable	GGD1483	Diagnosis
15P board to board extension jig cable	GGD1484	Diagnosis
21P board to board extension jig cable	GGD1485	Diagnosis

B

■ CLEANING



Before shipping out the product, be sure to clean the following positions by using the prescribed cleaning tools:

Position to be cleaned	Cleaning tools
Fans	Cleaning paper : GED-008

C

D

E

F