

Service Manual

ORDER NO.
RRV2379

AUDIO/VIDEO MULTI-CHANNEL RECEIVER

VSX-839RDS

THIS MANUAL IS APPLICABLE TO THE FOLLOWING MODEL(S) AND TYPE(S).

Type	Model	Power Requirement	The voltage can be converted by the following method.
	VSX-839RDS		
HYXJI	○	AC220-230V	AC240V, *
HVXJI	○	AC230V	AC240V, *

* : Alter the wiring of the Power-supply block at the primary winding of Power-transformer referring to the "Line Voltage Selection" described in Service Manual.

● This service manual should be used together with the following manual(s):

Model No.	Order No.	Remarks
VSX-35TX/KUXJI/CA	RRV2351	

CONTENTS

- 1. CONTRAST OF MISCELLANEOUS PARTS 2
- 2. PCB CONNECTION DIAGRAM 12
- 3. SCHEMATIC DIAGRAM 14

1. CONTRAST OF MISCELLANEOUS PARTS

NOTES: ● Parts marked by "NSP" are generally unavailable because they are not in our Master Spare Parts List.

● The Δ mark found on some component parts indicates the importance of the safety factor of the part.

Therefore, when replacing, be sure to use parts of identical designation.

● Screws adjacent to \blacktriangledown mark on product are used for disassembly.

● Reference Nos. indicate the pages and Nos. in the service manual for the base model.

● When ordering resistors, first convert resistance values into code form as shown in the following examples.

Ex.1 When there are 2 effective digits (any digit apart from 0), such as 560 ohm and 47k ohm (tolerance is shown by J=5%, and K=10%).

560 \rightarrow $56 \times 10^1 \rightarrow$ 561 RD1/4PU $\overline{561}J$
 47k \rightarrow $47 \times 10^3 \rightarrow$ 473 RD1/4PU $\overline{473}J$
 0.5 \rightarrow R50 RN2H $\overline{R50}K$
 1 \rightarrow 1R0 RS1P $\overline{1R0}K$

Ex.2 When there are 3 effective digits (such as in high precision metal film resistors).

5.62k \rightarrow $562 \times 10^1 \rightarrow$ 5621 RN1/4PC $\overline{5621}F$

■ CONTRAST TABLE

VSX-839RDS/HYXJI, HVXJI and VSX-35TX/KUXJI/CA are constructed the same except for the following:

Ref. No.	Mark	Symbol and Description	Part No.			Remarks
			VSX-35TX /KUXJI/CA	VSX-839RDS /HYXJI	VSX-839RDS /HVXJI	
P5- 1		PCB ASSEMBLIES FM/AM TUNER UNIT	AXQ7231	AXQ7232	AXQ7232	
P5- 5	NSP	MAIN ASSY	AWK7591	AWK7621	AWK7621	
P5-12		└ MAIN CONTROL ASSY	AWX7560	AWX7625	AWX7625	
P5-12		└ DSP ASSY	AWX7561	AWX7626	AWX7626	
P5- 2	NSP	COMPLEX ASSY	AWK7592	AWK7622	AWK7624	
P5- 6		└ EX I/O (5.1CH I/O) ASSY	AWX7568	AWX7627	AWX7627	
P5-12		└ A-CONNECTION ASSY	AWX7566	AWX7619	AWX7619	
P5-13		└ V-CONNECTION ASSY	AWX7567	AWX7717	AWX7717	
P5-13		└ TRANS2-2 ASSY	AWX7565	AWX7720	AWX7720	
P5-15		└ PRIMARY ASSY	AWX7563	AWX7596	AWX7604	
P5- 4	NSP	POWER ASSY	AWK7593	AWK7669	AWK7669	
P5-10		└ INPUT ASSY	AWX7573	AWX7600	AWX7600	
P5-10		└ SP/PS ASSY	AWX7571	AWX7735	AWX7735	
P5-10		└ FAN DRIVER ASSY	Not used	AWX7599	AWX7599	No. 1
P5- 7	NSP	FRONT ASSY	AWK7594	AWK7623	AWK7623	
P5- 8		└ COMPOSITE ASSY	AWX7581	AWX7617	AWX7617	
P6- 3		└ S VIDEO ASSY	AWX7580	AWX7616	AWX7616	
P7- 1		└ V-AMP ASSY	AWX7578	AWX7723	AWX7723	
P7- 6		└ DISPLAY ASSY	AWX7574	AWX7601	AWX7601	
P7- 6		└ FRONT DIGIN ASSY	AWX7648	Not used	Not used	
P3- 2		PACKING SECTION FM Wire Antenna	ADH7004	ADH7005	ADH7005	
P3- 3		Operating Instructions (English)	ARB7222	ARB7225	ARB7225	
P3- 3		Operating Instructions (German)	Not used	ARC7293	Not used	
P3- 3		Operating Instructions (French)	Not used	ARC7292	Not used	
P3- 3		Operating Instructions (Italian)	Not used	ARC7294	Not used	
P3- 3		Operating Instructions (Dutch)	Not used	ARC7296	Not used	
P3- 3		Operating Instructions (Swedish)	Not used	ARC7298	Not used	
P3- 3		Operating Instructions (Spanish)	Not used	ARC7295	Not used	
P3- 3		Operating Instructions (Portuguese)	Not used	ARC7297	Not used	
P3- 4		Remote Control Unit (35TX)	AXD7266	Not used	Not used	
P3- 4		Remote Control Unit (839RDS)	Not used	AXD7270	AXD7270	
P3- 8		Packing Case	AHD7860	AHD7866	AHD7866	
P3-11	NSP	Warranty Card	ARY7007	ARY7022	ARY7022	

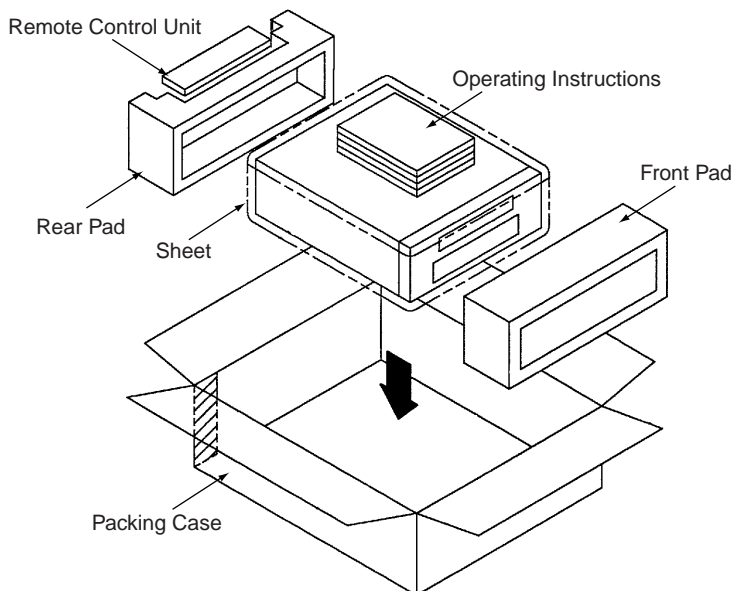
Ref. No.	Mark	Symbol and Description	Part No.			Remarks
			VSX-35TX /KUXJI/CA	VSX-839RDS /HYXJI	VSA-839RDS /HVXJI	
EXTERIOR SECTION						
P5-18	△	Power Transformer	ATS7284	ATS7285	ATS7285	
P5-19	△	Fuse (FU4, FU5 :)	REK1112 (2.5A)	REK1025 (T2.0A)	REK1025 (T2.0A)	
P5-21	△	Fuse (FU1 :)	VEK1029 (10A)	REK-106 (T4.0A)	REK-106 (T4.0A)	
P5-26		Cord Stopper	CM-22C	CM-22B	CM-22B	
P5-27	△	AC Power Cord	VDG1075	VDG1080	VDG1076	
P5-28		Spacer	AEB7210	AEB7213	AEB7213	
P5-31		Rear Panel	ANC7910	ANC7913	ANC7940	
P5-35		Trans Shield	ANG7293	ANG7294	ANG7294	
P5-41		Earth Terminal	AKE-031	Not used	Not used	
P5-46	△	65 Label	ARW7050	Not used	Not used	
		Fan Motor	Not used	AXM7012	AXM7012	No. 3
		Locking Card Spacer	Not used	AEC7160	AEC7160	No. 4
	△	HEAT SINK SECTION				
		Thermistor	Not used	AEX7004	AEX7004	No. 5
FRONT PANEL SECTION						
P7- 9		4P Flexible Cable/60V	ADD7238	Not used	Not used	
P7-12		5P Shield Wire with Housing	ADX7344	Not used	Not used	
P7-14		Door	AMB7692	ANB7223	ANB7223	
P7-19		Digital Cap	AAD7576	Not used	Not used	
P7-21		Window	AAK7769	AAK7770	AAK7770	
P7-22		Door Sheet	AAK7783	AAK7779	AAK7779	
P7-25		Front Panel	AMB7691	ANB7231	ANB7231	
P7-30		Damper Assy	AXA7089	AXA7088	AXA7088	
P7-31		Name Plate	PAM1776	PAN1376	PAN1376	
		POWER Button	Not used	ADD7442	ADD7442	No. 6

Notes : ●The numbers in the remarks column correspond to the numbers on the “EXPLODED VIEWS”.

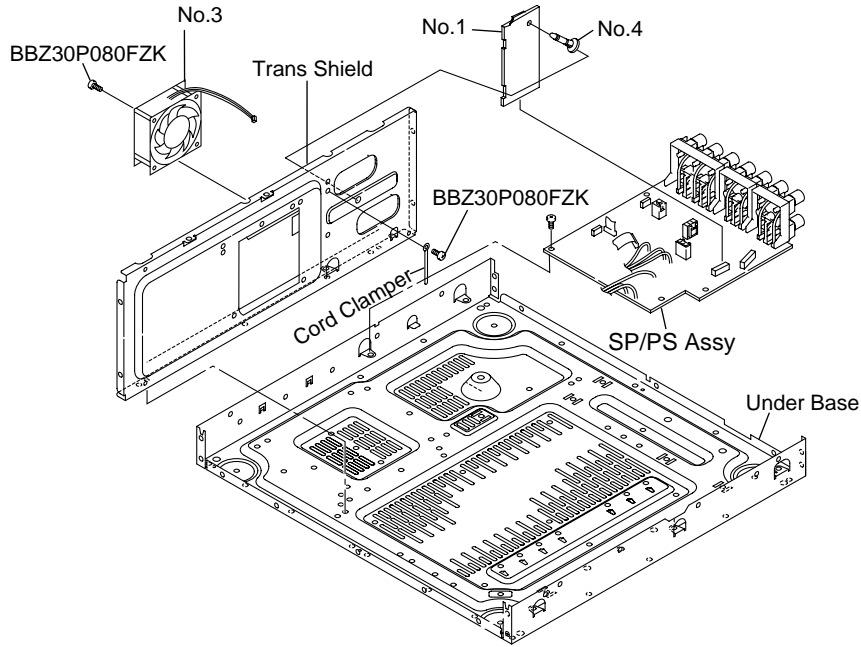
●For PCB ASSEMBLIES, Refer to “CONTRAST OF PCB ASSEMBLIES”, “2. PCB CONNECTION DIAGRAM” and “3. SCHEMATIC DIAGRAM”.

■ EXPLODED VIEWS

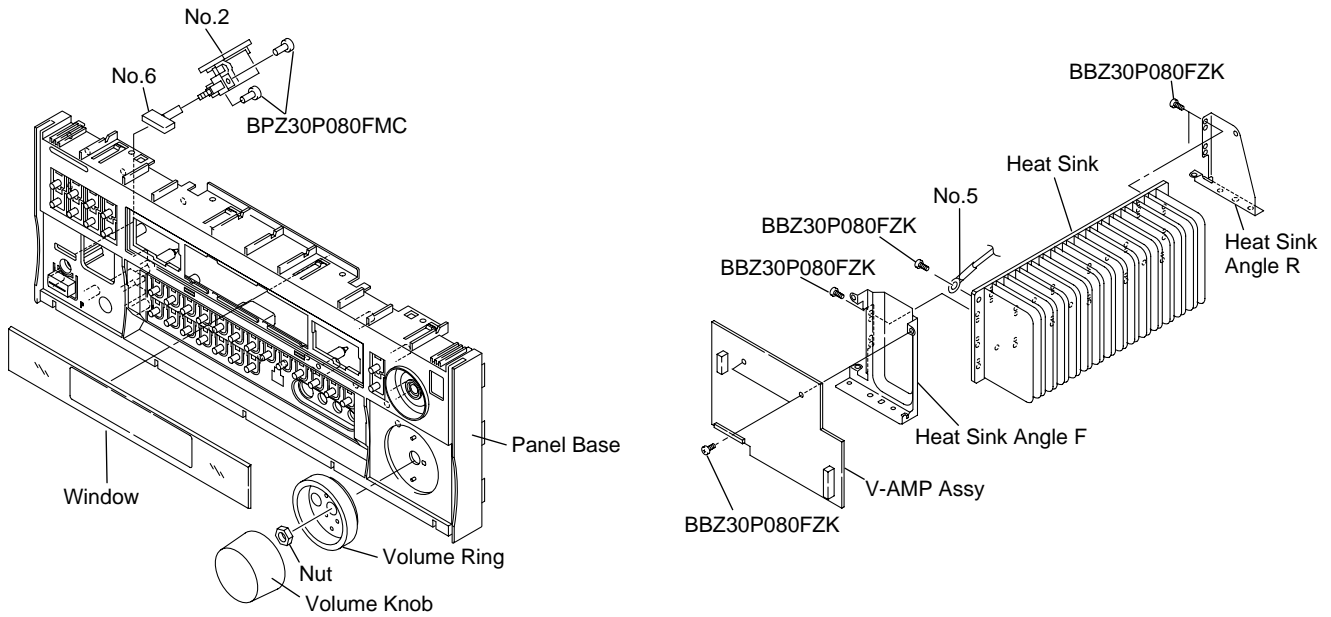
● PACKING SECTION



● EXTERIOR SECTION



● FRONT PANEL and HEAT SINK SECTIONS



■ CONTRAST OF PCB ASSEMBLIES

AF FM/AM TUNER UNIT

AXQ7232 and AXQ7231 are constructed the same except for the following :

Mark	Symbol and Description	Part No.		Remarks
		AXQ7231	AXQ7232	
	BN201	AKA7003	AKA7002	
	Q601	Not used	2SC2412K	
	Q602	Not used	DTC124EK	
	D101	Not used	UDZS6.8B	
	D601	Not used	HVU187	
	L601	Not used	LCTA270J2520	
	L602	Not used	LAU2R2J	
	F601	Not used	ATF7025	
	C101	CKSRYP103K50	Not used	
	C103, C104, C609	Not used	CKSRYP102K50	
	C206	CCSRCH100D50	CCSRCH120J50	
	C209	CKSRYP223K50	Not used	
	C210	CEJA470M16	CEJQ470M16	
	C211	CEJA1R0M50	CEJQ1R0M50	
	C215	CKSRYP681K50	CKSRYP471K50	
	C216, C217	CKSRYP153K50	CKSRYP103K50	
	C244, C611	Not used	CKSRYP223K50	
	C601, C602	CKSRYP103K50	Not used	
	C603	CKSRYP223K50	CKSRYP392K50	
	C604, C610, C615	Not used	CKSRYP103K50	
	C605	Not used	CCSQCH680J50	
	C606	Not used	CKSRYP561K50	
	C607, C608	Not used	CKSRYP182K50	
	C614	Not used	CCSRCH101J50	
	R101	Not used	RS1/16S0R0J	
	R102, R225, R243	RS1/16S0R0J	Not used	
	R103	RS1/10S331J	RS1/10S221J	
	R104	RS1/10S391J	RS1/10S221J	
	R105, R605	Not used	RS1/16S222J	
	R201	RS1/16S391J	Not used	
	R202	RS1/16S221J	RS1/16S101J	
	R212	RS1/16S392J	RS1/16S512J	
	R216	RS1/16S123J	RS1/16S103J	
	R218, R219	RS1/16S102J	RS1/16S681J	
	R222	RS1/16S472J	RS1/16S103J	
	R227	RS1/16S103J	RS1/16S183J	
	R601	Not used	RS1/16S561J	
	R602, R604	Not used	RS1/16S221J	
	R603	Not used	RS1/16S472J	
	R606	Not used	RS1/16S121J	
	R607	Not used	RS1/16S473J	
	0001 FM FRONT END	AXF7003	AXF7005	
	0002 MW RF TUNING BLOCK	AXX7071	AXX7072	

B F 5.1CH I/O ASSY

AWX7627 and AWX7568 are constructed the same except for the following :

Mark	Symbol and Description	Part No.		Remarks
		AWX7568	AWX7627	
	IC1104 Q1157, Q1158 C1101–C1106, C1117–C1122, C1161–C1165 C1115, C1116 C1131, C1132 C1139, C1140 C1151–C1156 C1166 R1107, R1108 R1115, R1116 R1125, R1126 R1157, R1158 R1165, R1166 R1173, R1174 R1181, R1182, R1189, R1190 JA1113, JA1163	UPC4570G2 HN1C03F Not used CEAT4R7M50 CEAT100M50 CKSQYB103K50 Not used Not used RS1/10S331J RS1/10S104J RS1/10S474J RS1/10S271J RS1/10S121J RS1/10S101J RS1/10S103J AKB7046	Not used Not used CCSQCH101J50 Not used Not used Not used CCSQCH331J50 CCSQCH471J50 Not used Not used Not used Not used Not used Not used Not used Not used	

C F INPUT ASSY

AWX7600 and AWX7573 are constructed the same except for the following :

Mark	Symbol and Description	Part No.		Remarks
		AWX7573	AWX7600	
	Q1001, Q1002 D1051 C1001–C10012 C1051 R1013– R1016 R1017, R1018 R1051 CN1002 JA1004 JA1051	2SC2878 1SS133 Not used CGCYX103M16 RD1/4PU102J RD1/4PU473J RD1/4PU102J KP200TA6L AKB7046 AKN7014	Not used Not used CCCSL221J50 Not used Not used Not used Not used Not used Not used Not used	

G S VIDEO ASSY

AWX7616 and AWX74580 are constructed the same except for the following :

Mark	Symbol and Description	Part No.		Remarks
		AWX7580	AWX7616	
	IC852 C854 C855, C856 R855 R868, R869, R870 R883, R885 R884	BU4053BCF CCSQCH151J50 CKSQYB103K50 RS1/10S103J RS1/10S102J Not used RS1/10S0R0J	Not used Not used Not used Not used Not used RS1/10S0R0J Not used	*

Note * : These parts are used for VSX-33TX/KUXJI/CA. Refer to service manual RRV2351.

DF MAIN CONTROL ASSY

AWX7625 and AWX7560 are constructed the same except for the following :

Mark	Symbol and Description	Part No.		Remarks
		AWX7560	AWX7625	
	IC101	M5220FP	Not used	
	IC103	TC9164AF	Not used	
	IC104	NJM4558MD	Not used	
	IC251	Not used	NJM4558MD	
	Q905	DTA124EK	Not used	
	D251, D252	Not used	1SS355	
	D253	Not used	UDZS5.1B	
	C101- C110	Not used	CCSQCH221J50	
	C113, C114	CEAT100M50	Not used	
	C115, C116	CCSQCH181J50	Not used	
	C117, C118	CEAT470M25	Not used	
	C121, C122	CQMA822J50	Not used	
	C123, C124	CQMA242L50	Not used	
	C125, C126	CEAT2R2M50	Not used	
	C127, C128	CEJQ101M25	Not used	
	C133, C134, C911	CKSRYB103K50	Not used	
	C135, C136	CEAT1R0M50	Not used	
	C145, C146, C169, C170, C181, C182	Not used	CCSRCH101J50	
	C157, C158	Not used	CCSQCH101J50	
	C191- C193	CCSRCH101J50	Not used	
	C252	Not used	CEAT470M25	
	C253- C256	Not used	CKSRYB103K50	
	C291	CEJA101M16	CEJQ101M16	
	R111, R112	RS1/10S0R0J	Not used	
	R113, R114, R117, R118, R129, R130	RS1/10S104J	Not used	
	R139, R140, R203, R204	RS1/10S104J	Not used	
	R115, R116	RS1/10S331J	Not used	
	R119, R120	RS1/10S511J	Not used	
	R121, R122	RS1/10S394J	Not used	
	R123, R124	RS1/10S303J	Not used	
	R125, R126, R133, R134	RS1/10S471J	Not used	
	R131, R132	RS1/16S474J	Not used	
	R135, R136, R934, R944, R945, R946	RS1/16S102J	Not used	
	R990, R991	RS1/10S102J	Not used	
	R933	RS1/16S473J	Not used	
	R211- R215, R252, R253	Not used	RS1/16S104J	
	R251	Not used	RS1/16S474J	
	R254	Not used	RS1/16S102J	
	R255	Not used	RS1/16S393J	
	R295	Not used	RS1/10S0R0J	
	R921	Not used	RS1/16S103J	
	CN0103	AKP7057	Not used	
	CN0906	52045-0445	Not used	
	JA151	VKB1060	Not used	

E A-CONNECTION ASSY

AWX7619 and AWX7566 are constructed the same except for the following :

Mark	Symbol and Description	Part No.		Remarks
		AWX7566	AWX7619	
	IC1501	TC9215AF	Not used	
	IC1502	TC9459F	Not used	
	IC1503	NJM4558MD	Not used	
	IC1551	M62429FP	Not used	
	D1551	UDZS5.1B	Not used	
	C1501- C1504, C1517, C1518	CKSQYB103K50	Not used	
	C1507, C1508, C1515, C1516, C1551-C1553	CEAT100M50	Not used	
	C1511, C1512	CCSQCH560J50	Not used	
	C1541- C1543, C1554, C1555	CCSQCH101J50	Not used	
	C1556, C1557	CEAT1R0M50	Not used	
	R1503, R1504, R1511, R1512	RS1/10S104J	Not used	
	R1505, R1506	RS1/10S103J	Not used	
	R1507, R1508	RS1/10S472J	Not used	
	R1509, R1510	RS1/10S152J	Not used	
	R1541- R1545, R1552, R1553	RS1/10S102J	Not used	
	R1551	RS3LMF391J	Not used	
	R1554, R1555	RS1/10S103J	Not used	
	R1569, R1570, R1571, R1572, R1573, R1574	RD1/10S0R0J	Not used	
	CN1552	AKP7068	Not used	
	CN1554	KM200TA6	Not used	

F COMPOSITE ASSY

AWX7617 and AWX7581 are constructed the same except for the following :

Mark	Symbol and Description	Part No.		Remarks
		AWX7581	AWX7617	
	IC731	NJM2279	Not used	
	IC751	TC4W53FU	Not used	
	Q701	2SA933S	Not used	
	D731	DAN202K	Not used	
	C707	CCSQCH181J50	Not used	
	C712, C713, C734, C735	CEAT101M10	Not used	
	C714, C732, C733, C736, C785, C786	CKSQYB473K50	Not used	
	C715	CCSQCH150J50	Not used	
	C737	CCSQCH470J50	Not used	
	R707	RS1/10S750J	Not used	
	R712	RS1/10S183J	Not used	
	R713	RS1/10S103J	Not used	
	R714	RS1/10S101J	Not used	
	R715	RD1/2VM201J	Not used	
	R733- R735, R766	RS1/10S102J	Not used	
	R767	RS1/10S104J	Not used	
	JA703 2P PIN JACK	Not used	VKB1048	*
	703 2P PIN JACK	AKB7017	Not used	

Note * : These parts are used for VSX-33TX/KUXJI/CA. Refer to service manual RRV2351.

H V-CONNECTION ASSY

AWX7717 and AWX7567 are constructed the same except for the following :

Mark	Symbol and Description	Part No.		Remarks
		AWX7567	AWX7717	
	Q601 C601 R601 CN604	KRC103M CKSQYB103K50 RS1/10S103J KM200TA10	Not used Not used Not used Not used	

L F V-AMP ASSY

AWX7723 and AWX7578 are constructed the same except for the following :

Mark	Symbol and Description	Part No.		Remarks
		AWX7578	AWX7723	
	CN2201 3P CONNECTOR	Not used	KM250MA3	

L F SP / PS ASSY

AWX7735 and AWX7571 are constructed the same except for the following :

Mark	Symbol and Description	Part No.		Remarks
		AWX7571	AWX7735	
	D3001, D3002 D3052, D3054, D3056, D3058, D3059 D3201 C3001, C3002 (22000µF/56V) C3101- C3105 C3106- C3110 C3111- C3117 C3119 L3111, L3112 R3111 R3133, R3134 Heat Sink CN3002 6P PLUG CN3101 CN3102	D5SBA20 Not used Not used ACH7147 CFTYA104J50 Not used CQHA102J2A Not used ATX1012 Not used Not used ANH1021 Not used AKE7058 AKE7060	D5SBA20(B) 1SS133 MTZJ5.1B ACH7145 CFTYA224J50 CFTYA224J50 CQHA332K2E CKPUYB221K50 Not used RD1/4PU4R7J RS1LMF471J Not used KM200TA6 AKE7059 AKE7061	

O F TRANS 2-2 ASSY

AWX7720 and AWX7565 are constructed the same except for the following :

Mark	Symbol and Description	Part No.		Remarks
		AWX7565	AWX7720	
	C5501 C5502 R5501	CQMA224J50 CQMA224J50 RD1/4MUF100J	Not used Not used Not used	

QF PRIMARY ASSY

AWX7596, AWX7604 and AWX7563 are constructed the same except for the following:

Mark	Symbol and Description	Part No.			Remarks
		AWX7563	AWX7596	AWX7604	
	C6011, C6012, C6013 R6001 J0032 T6001 6004 6001 3P CONNECTOR	Not used RCN1080 Not used ATT7043 AKP7136 Not used	CCCSL101K2H Not used D20PYY0330E ATT7040 AKP7135 51048-0300	CCCSL101K2H Not used D20PYY0330E ATT7040 Not used 51048-0300	

SF DISPLAY ASSY

AWX7601 and AWX7574 are constructed the same except for the following :

Mark	Symbol and Description	Part No.		Remarks
		AWX7574	AWX7601	
	IC7051 IC7401 Q7053 Q7054 Q7401 Q7402 Q7403 D7054- D7057 L7401 C7053 C7401 C7402 C7403, C7404 C7405 C7406, C7407 C7408 C7409 R7047 R7056 R7057 R7058, R7061 R7401, R7407, R7408 R7403 R7404 R7405 R7406 CN7007 X7401 CRYSTAL RESONATOR (4.332MHz)	TC7W53FU Not used FMA1A DTC124EK Not used Not used Not used 1SS355 Not used CKSQYB153K50 Not used Not used Not used Not used Not used Not used Not used RS1/10S223J RS1/10S223J RS1/10S392J RS1/10S103J Not used Not used Not used Not used Not used 52045-0445 Not used	Not used BU1923 Not used Not used 2SA1037 DTC143ES 2SC2412K Not used LFA2R2J Not used CKSQYB472K50 CEAT2R2M50 CKSQYB102K50 CEAT101M10 CCSQCH270J50 CKSQYB561K50 CEAT1R0M50 RS1/10S103J Not used Not used Not used RS1/10S102J RS1/10S222J RS1/10S473J RS1/10S333J RS1/10S104J Not used ASS7004	



AWX7626 and AWX7561 are constructed the same except for the following :

Mark	Symbol and Description	Part No.		Remarks
		AWX7561	AWX7626	
	IC9103 IC9602– IC9604, IC9701– IC9705 IC9706, IC9707 Q9611, Q9612 C9102, C9108, C9151, C9152, C9162	CS4391 UPC4570G2 UPC4570G2 2SC3326(AB) CEJA470M16	Not used NJM4558MD Not used Not used CEJQ470M16	
	C9110 C9117, C9562 C9120 C9121, C9124 C9122	CEJAR47M50 CEJA470M16 CEJA470M16 CKSRBY103K50 CCSRCH471J50	CEJQR470M50 CEJQ470M16 Not used Not used Not used	
	C9123, C9125 C9126 C9127, C9529 C9167 C9203– C9207, C9603, C9604, C9615, C9616	CEJA1R0M50 CKSRBY104K16 CEJA2R2M50 CKSQYF104Z50 CEJA4R7M50	Not used Not used CEJQ2R2M50 Not used CEJQ4R7M50	
	C9627, C9628, C9811, C9813 C9551, C9740, C9801, C9802, C9812 C9814, C9501, C9516 C9643, C9644, C9770, C9523, C9526 C9705, C9706, C9759, C9760	CEJA4R7M50 CEJA101M10 CEJA101M10 CEJA100M25 CKSQYF104Z25	CEJQ4R7M50 CEJQ101M10 CEJQ101M10 CEJQ100M25 Not used	
	C9713, C9714, C9727, C9728, C9739 C9765– C9769 C9745, C9746, C9781, C9782 C9749– C9751, C9752 C9753, C9754	CEJA330M10 CEJA330M10 CKSRBY102K50 CCSRCH221J50 CEJA330M10	CEJQ330M10 CEJQ330M10 Not used Not used Not used	
	C9755, C9756 C9757, C9758 C9761, C9762 C9763, C9764 C9803, C9805	CKSRBY122K50 CCSRCH271J50 CEJA4R7M50 CKSRBY222K50 CEJA470M25	Not used Not used Not used Not used CEJQ470M25	
	L9105, L9106 R9106 R9120, R9122 R9121, R9749, R9750 R9123, R116	QTL1013 RS1/16S331J RS1/10S681J RS1/10S562J RS1/10S182J	Not used RS1/16S101J Not used Not used Not used	
	R9154 R9173 R9577 R9590 R9737– R9742, R9753, R9754, R9763, R9764	RS1/10S104J RS1/10S0R0J RS1/16S331J RS1/16S0R0J RS1/16S153J	RS1/10S0R0J Not used Not used RS1/16S331J Not used	
	R9743– R9746, R9755, R9756 R9747, R9748 R9751, R9752 R9757, R9758 R9759, R9760	RS1/16S332J RS1/16S122J RS1/16S822J RS1/16S474J RS1/16S101J	Not used Not used Not used Not used Not used	
	CN9804 JA9156	S5B-PH-K-S GP1FA551TZ	Not used Not used	

PCB PARTS LIST

Mark	No.	Description	Part No.
QA		P-SW ASSY (AWX7593)	
		SWITCHES AND RELAYS	
	S6801		ASG1035
		CAPACITORS	
	C6801, C6802		CGCYX103K25
		OTHERS	
	CN6801	3P JUMPER CONNECTOR	52151-0310
Z		FAN DRIVER ASSY (AWX7599)	
		SEMICONDUCTORS	
	IC3501 (1.25A)		AEK7010
	Q3501		KRA103M
	Q3502		KRC103M

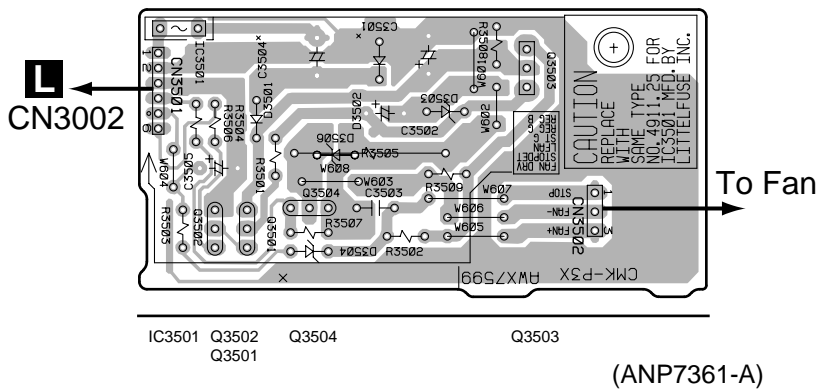
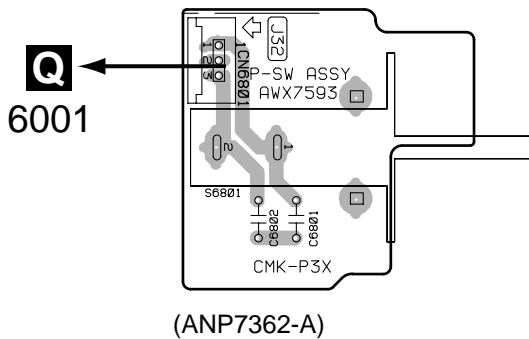
Mark	No.	Description	Part No.
	Q3503		2SC4793
	D3504		MTZJ12C
	D3503		MTZJ27D
	D3501, D3502		S5688G
		CAPACITORS	
	C3501		CEAT471M35
	C3502		CEAT1R0M50
	C3503		CKCYF103Z50
	C3504		CEANP471M25
	C3505		CEAT100M50
		RESISTORS	
		Other Resistors	RD1/4PU□□□□
		OTHERS	
	CN3502	3P PLUG	KM250MA3L
	CN3501	6P SOCKET	KP200TA6L

2. PCB CONNECTION DIAGRAM

2.1 P- SW and FAN DRIVER ASSYS

QA P-SW ASSY

Z FAN DRIVER ASSY



SIDE A

2.2 TRANS 2-1, TRANS 2-2 and TRANS 1 ASSYS

● Line Voltage Selection

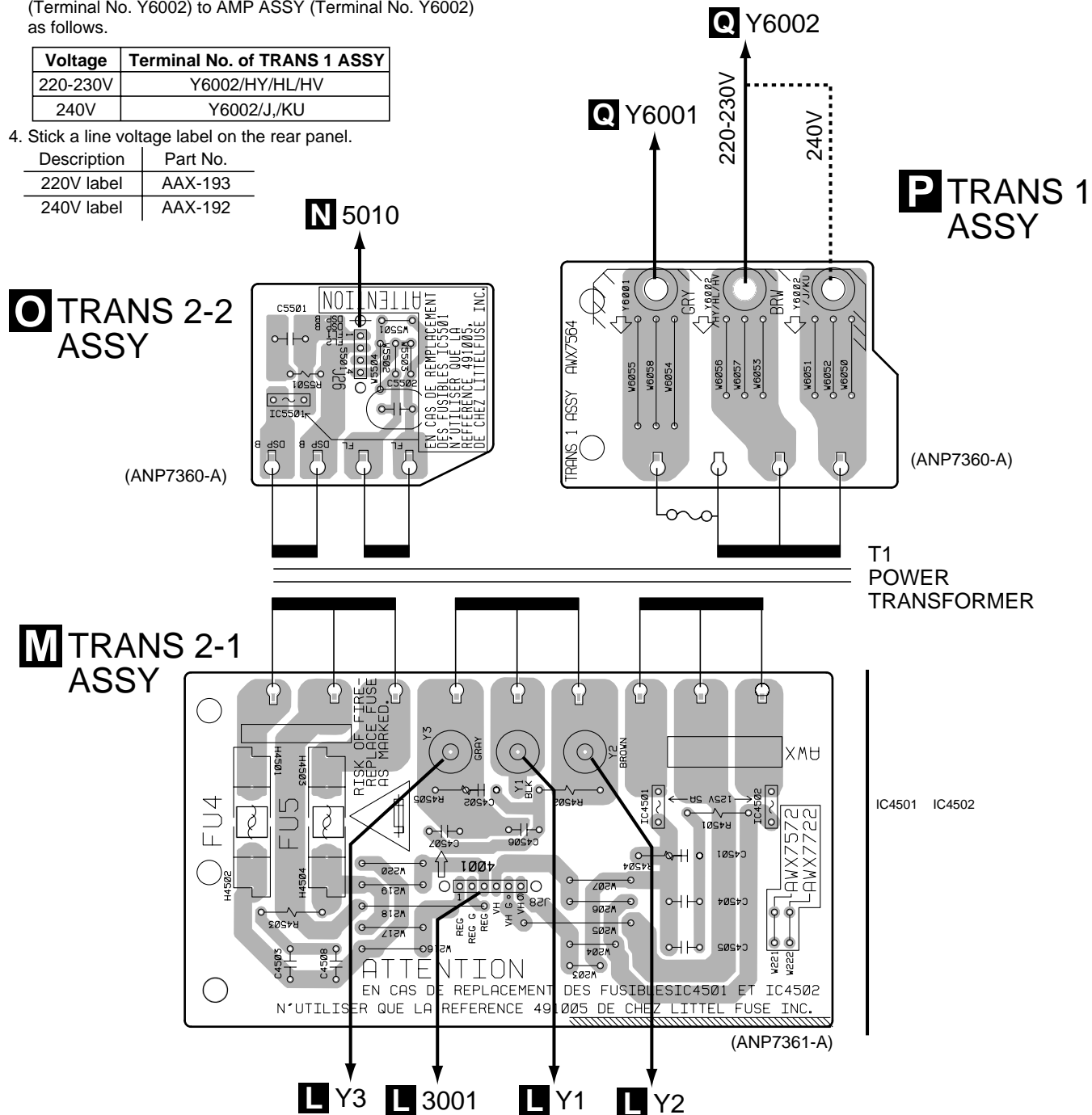
Line Voltage can be changed by the following modification:

1. Disconnect the AC power cord.
2. Remove the cover.
3. Change the connection wire from TRANS 1 ASSY (Terminal No. Y6002) to AMP ASSY (Terminal No. Y6002) as follows.

Voltage	Terminal No. of TRANS 1 ASSY
220-230V	Y6002/HY/HL/HV
240V	Y6002/J,KU

4. Stick a line voltage label on the rear panel.

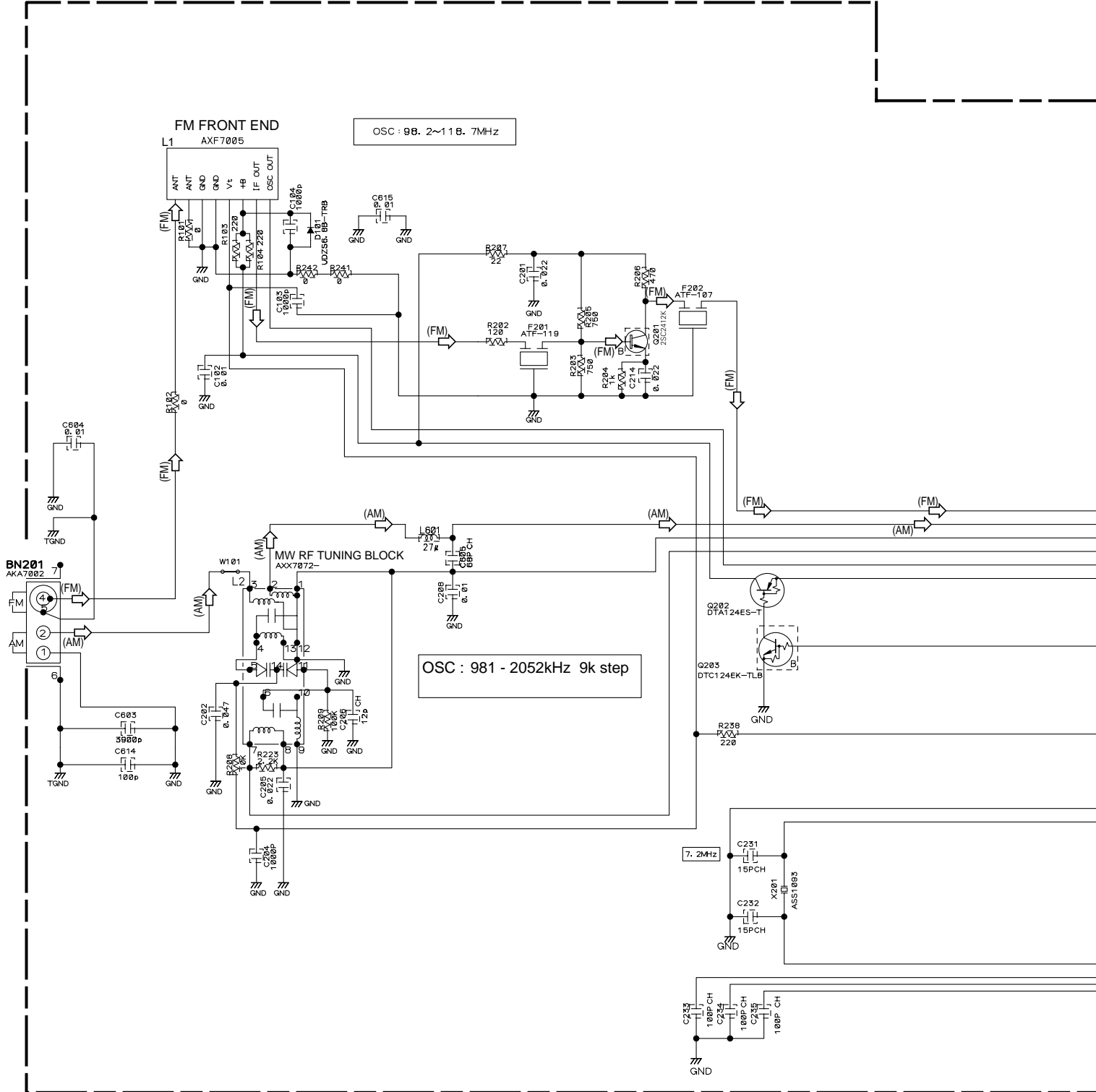
Description	Part No.
220V label	AAX-193
240V label	AAX-192



3. SCHEMATIC DIAGRAM


3.1 FM/AM TUNER UNIT

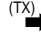
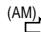
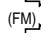
AF FM/AM TUNER UNIT (AXQ7232)

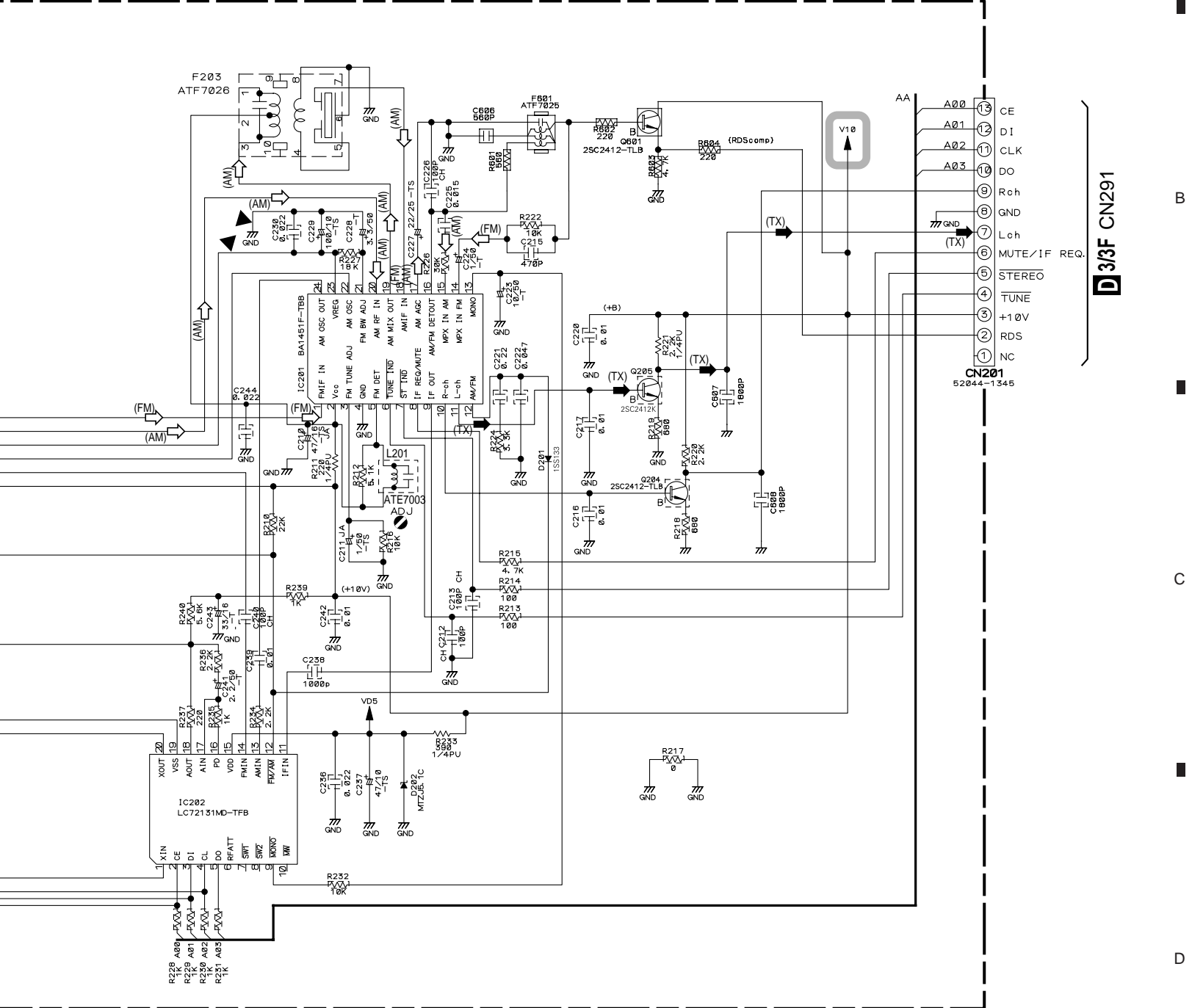


Notes

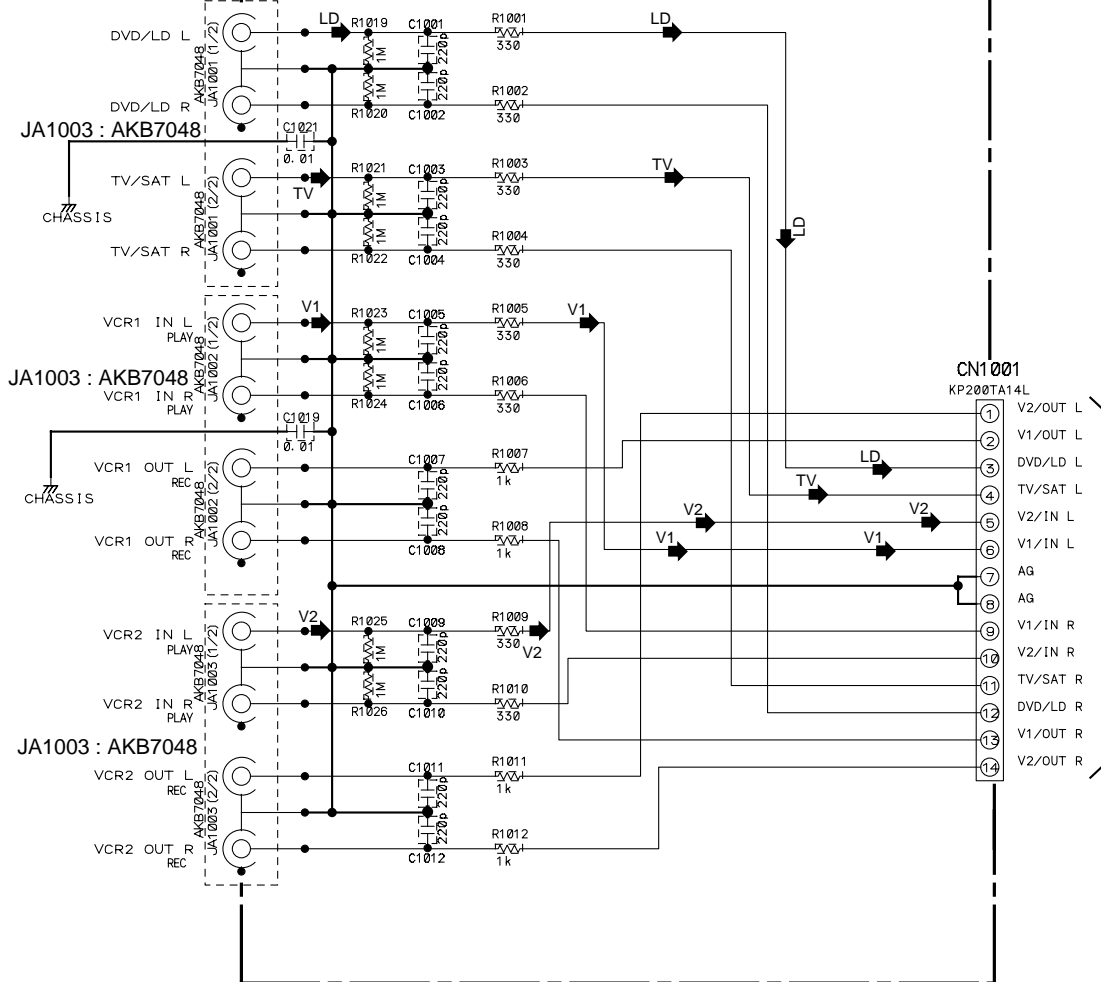
1. RESISTORS
Indicated in Ω , $1/16W \pm 5\%$ Tolerance unless otherwise noted K:K Ω , M:M Ω .
2. CAPACITORS
Indicated in Capacity (μF)/VOLTAGE (V) unless otherwise noted P:PF.
3. DIODES
No mark diode is 1SS133.

 : The power supply is shown with the marked box.

- (TX)  : AUDIO SIGNAL ROUTE (TUNER)
- (AM)  : AM SIGNAL ROUTE
- (FM)  : FM SIGNAL ROUTE



CF INPUT ASSY
(AWX7600)



- ➡ : AUDIO SIGNAL ROUTE
- LD ➡ : AUDIO SIGNAL ROUTE (LD)
- TV ➡ : AUDIO SIGNAL ROUTE (TV)
- V1 ➡ : AUDIO SIGNAL ROUTE (VCR1)
- V2 ➡ : AUDIO SIGNAL ROUTE (VCR2)
- MR ➡ : AUDIO SIGNAL ROUTE (MR)

E
CN1553

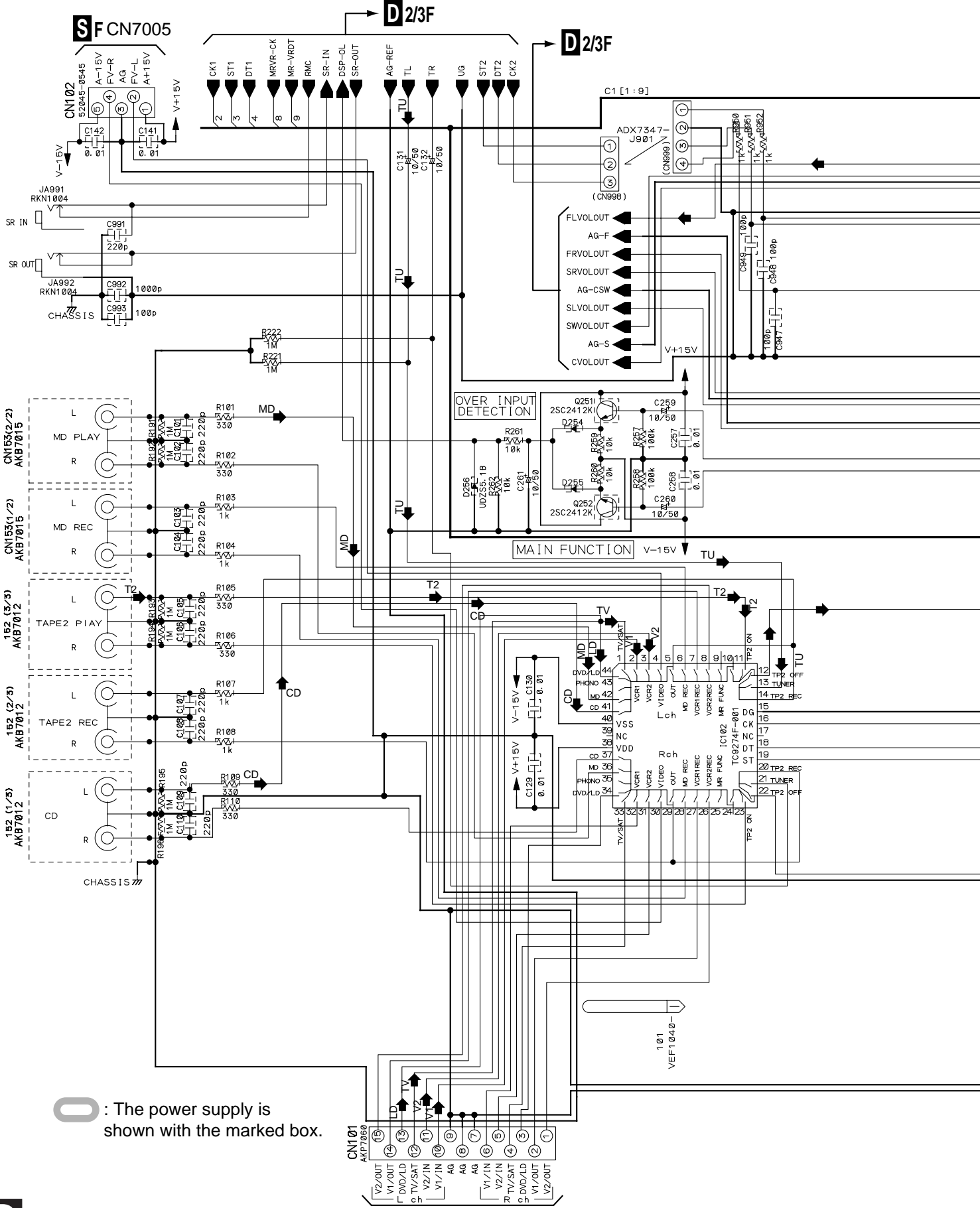
3.2 MAIN CONTROL ASSY (1/3)

A

B

C

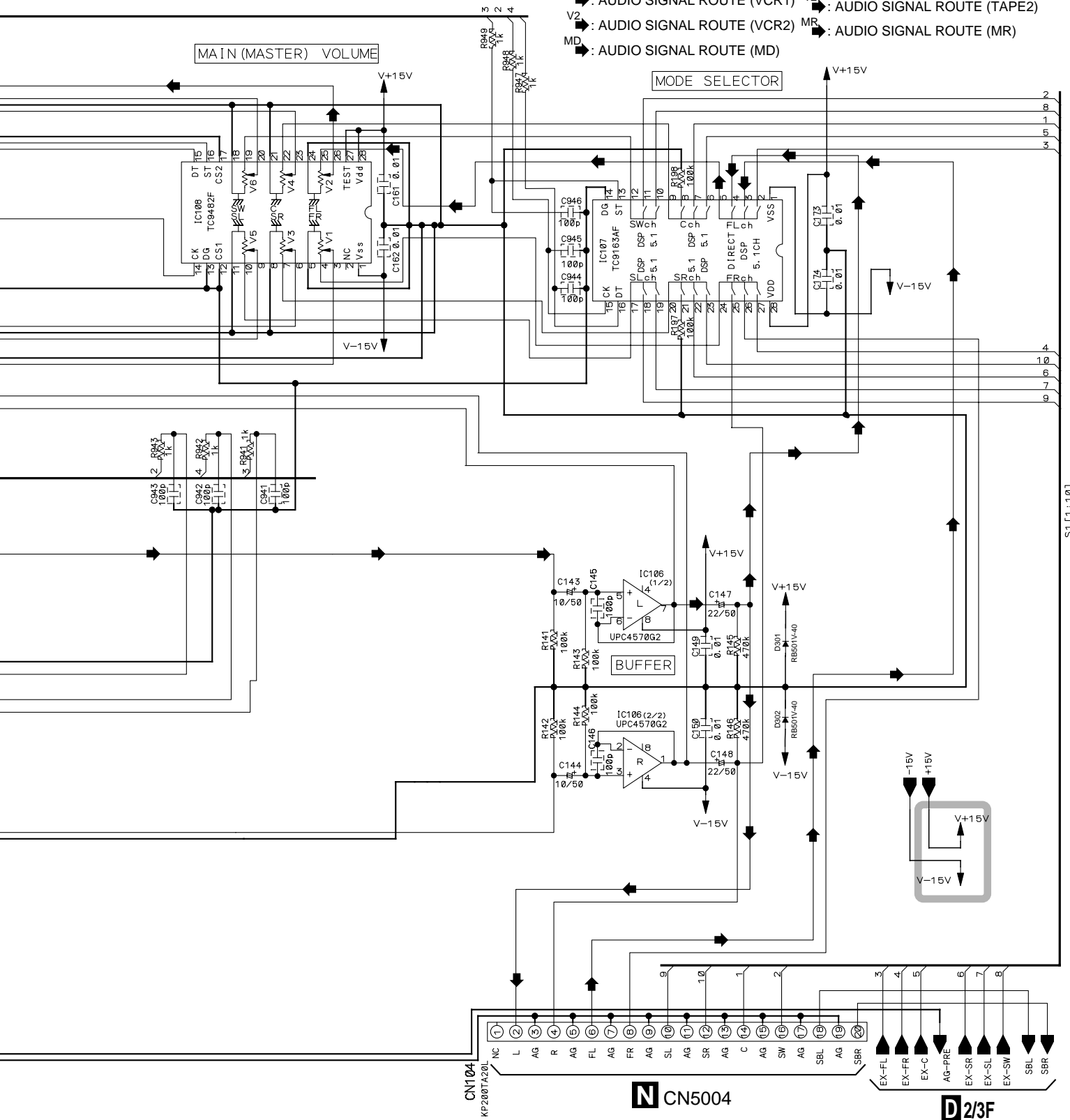
D



: The power supply is shown with the marked box.

D1/3 F MAIN CONTROL ASSY (AWX7625)

- ▶ : AUDIO SIGNAL ROUTE
- LD ▶ : AUDIO SIGNAL ROUTE (LD)
- TV ▶ : AUDIO SIGNAL ROUTE (TV)
- V1 ▶ : AUDIO SIGNAL ROUTE (VCR1)
- V2 ▶ : AUDIO SIGNAL ROUTE (VCR2)
- MD ▶ : AUDIO SIGNAL ROUTE (MD)
- P ▶ : AUDIO SIGNAL ROUTE (PHONO)
- TU ▶ : AUDIO SIGNAL ROUTE (TUNER)
- CD ▶ : AUDIO SIGNAL ROUTE (CD)
- T2 ▶ : AUDIO SIGNAL ROUTE (TAPE2)
- MR ▶ : AUDIO SIGNAL ROUTE (MR)



ST [1 : 10]

A
B
C
D

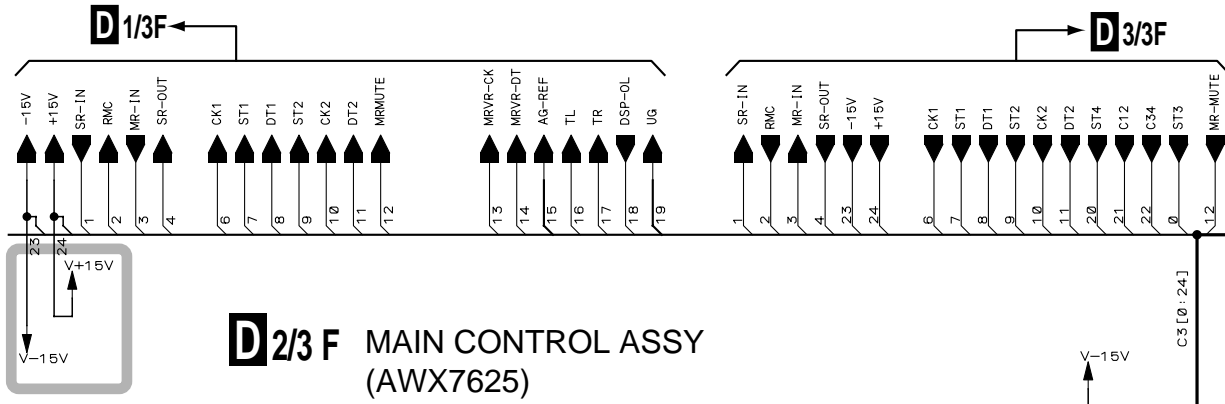
N CN504

D2/3F

D1/3F 19

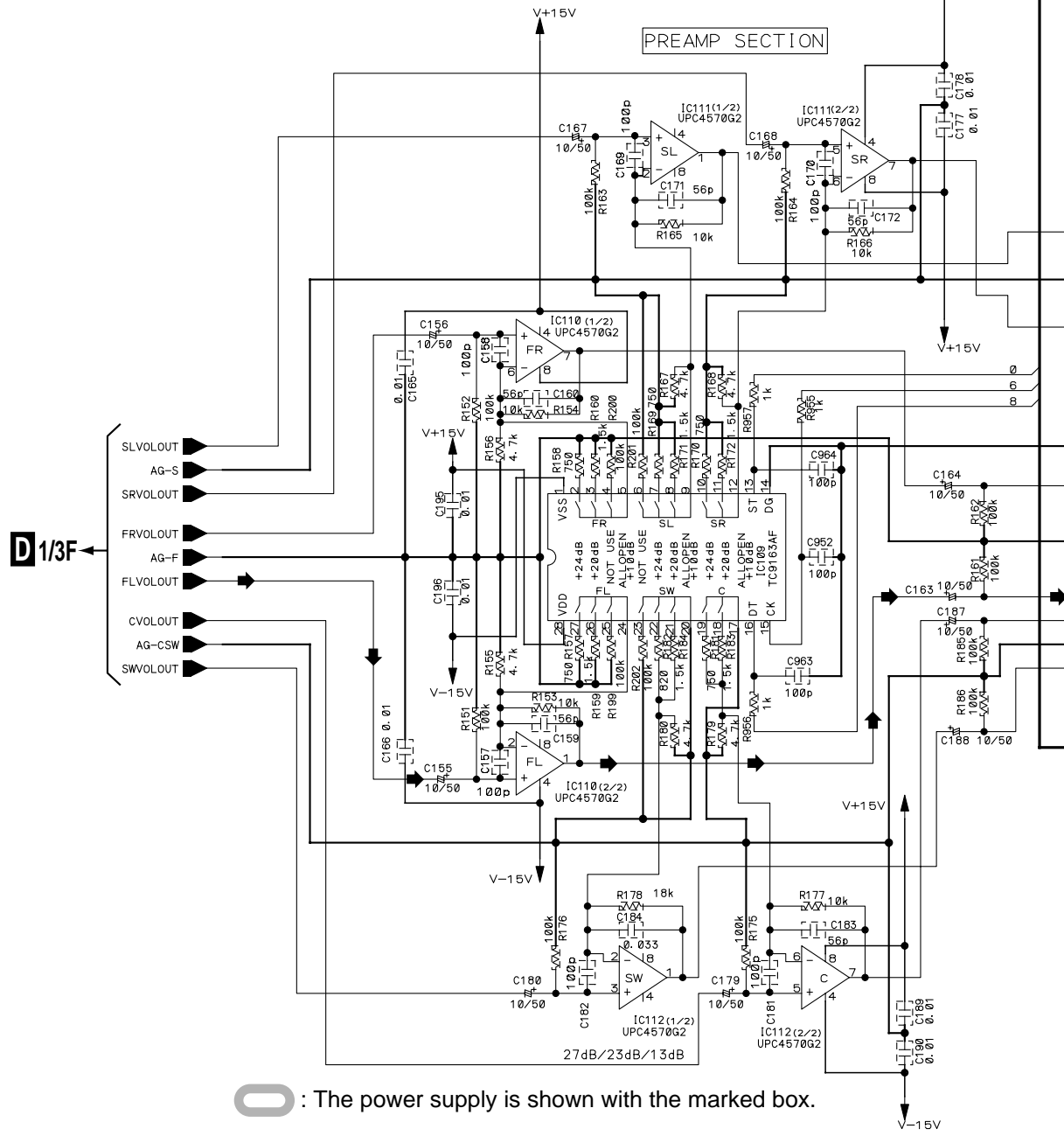
3.3 MAIN CONTROL ASSY (2/3)

A

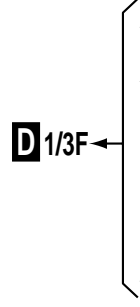


D 2/3 F MAIN CONTROL ASSY (AWX7625)

B

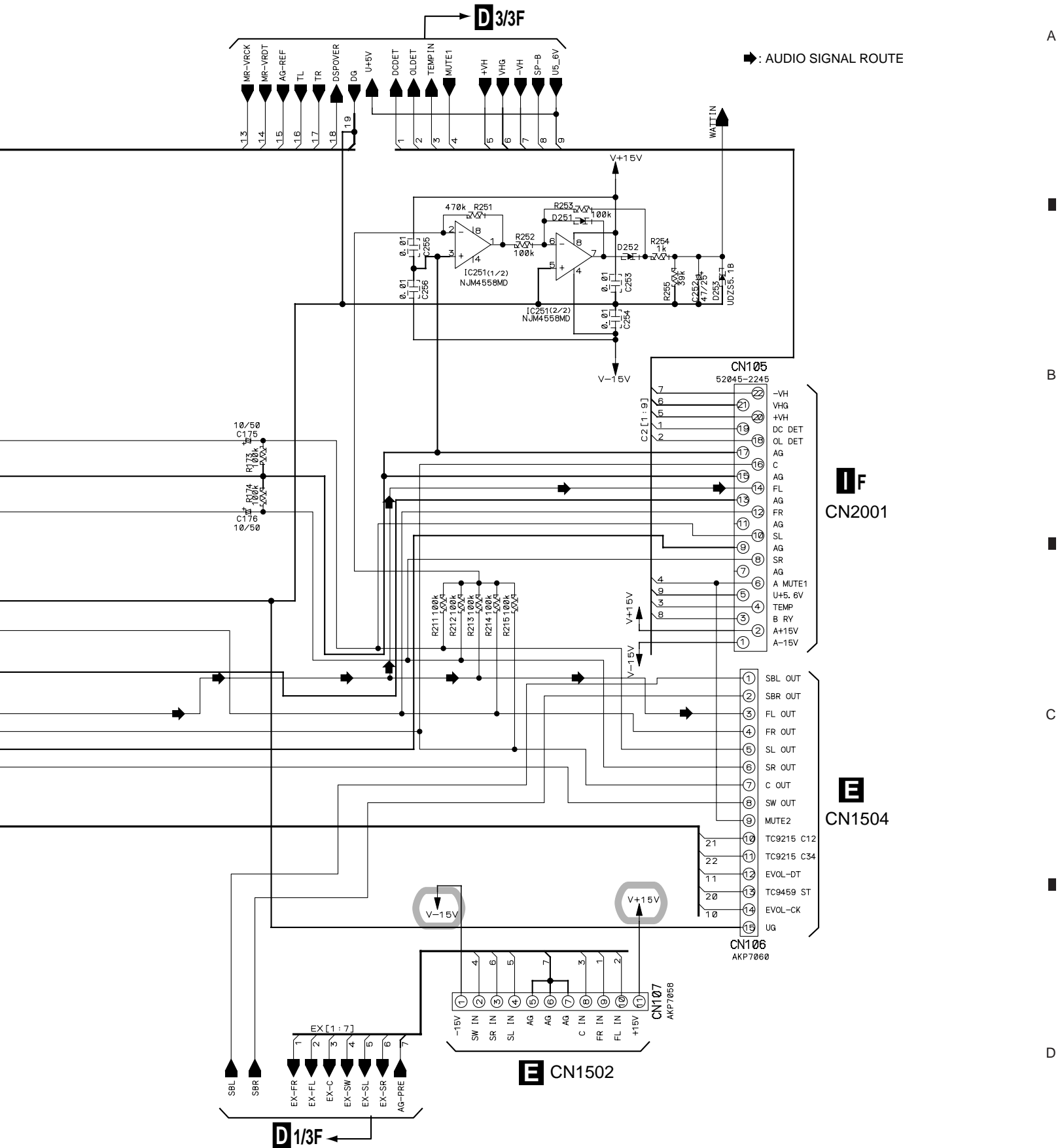


C



D

: The power supply is shown with the marked box.



3.4 MAIN CONTROL ASSY (3/3)

SF CN7001

A

B

C

D

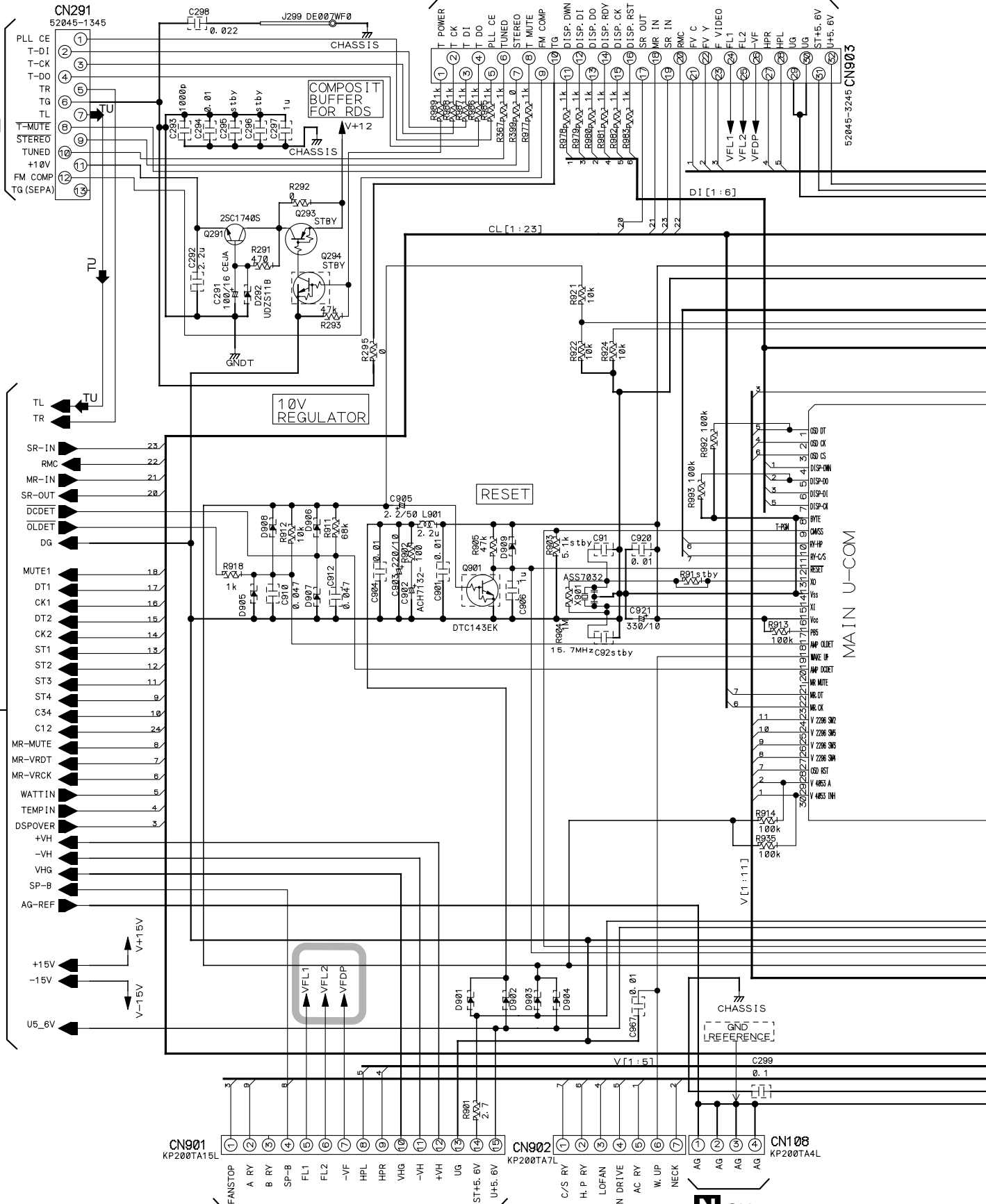
AF CN201

D2/3F

N CN5005

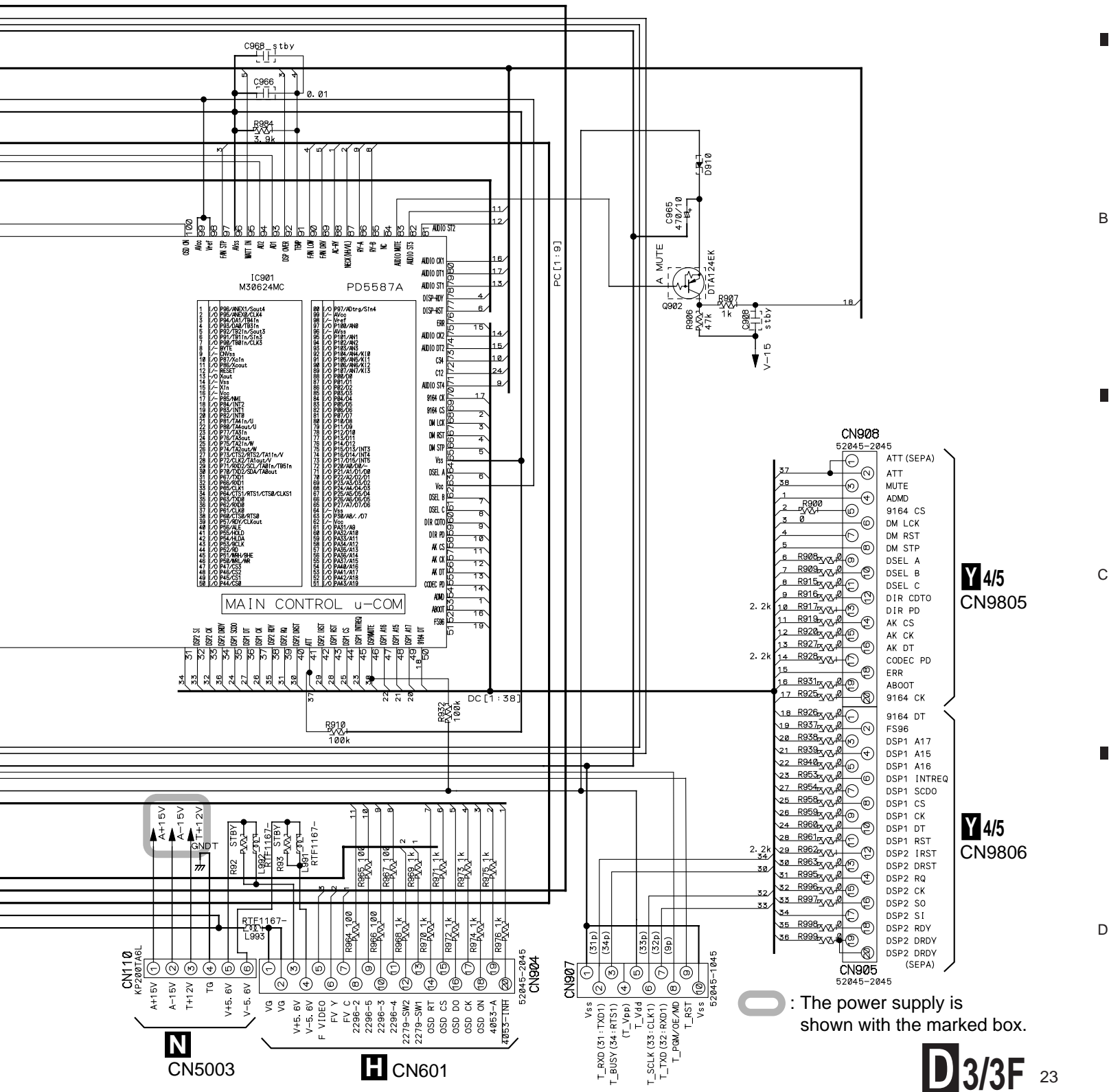
N CN5008

N CN5010



D3/3 F MAIN CONTROL ASSY (AWX7625)

TU : AUDIO SIGNAL ROUTE (TUNER)



CN5003

CN601

CN904

CN907

CN905

Y 4/5 CN9805

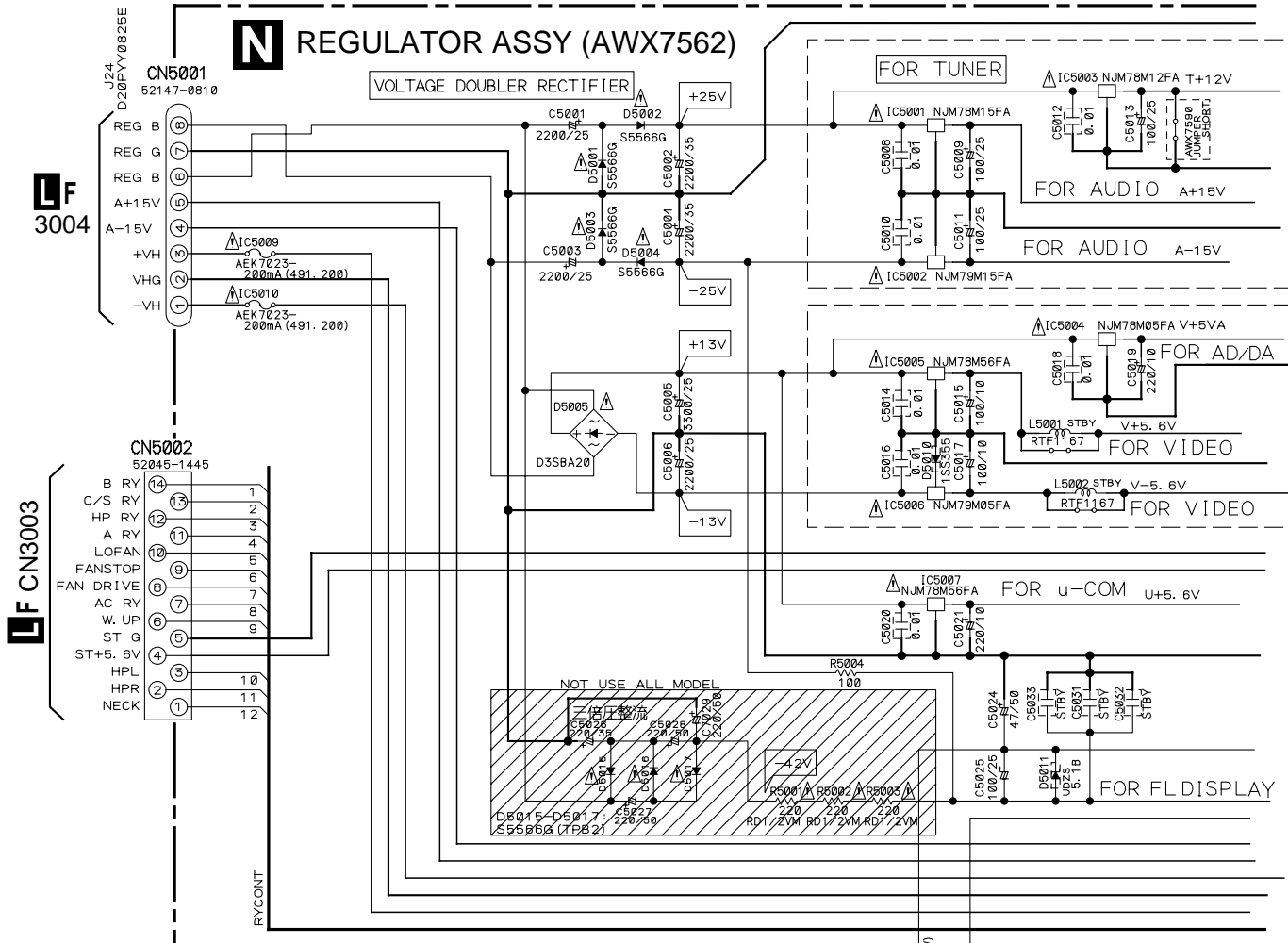
Y 4/5 CN9806

O : The power supply is shown with the marked box.

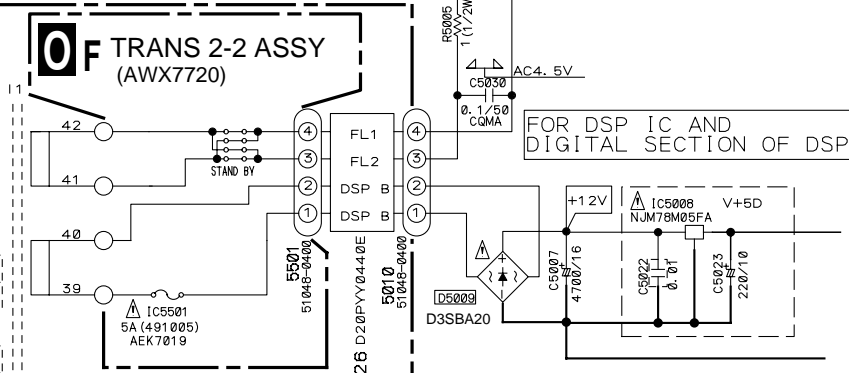
CAUTION : FOR CONTINUED PROTECTION AGAINST RISK OF FIRE. REPLACE ONLY WITH SAME TYPE NO. 491.200 MFD, BY LITTELFUSE INC. FOR IC5009, IC5010 (AEK7023).

CAUTION : FOR CONTINUED PROTECTION AGAINST RISK OF FIRE. REPLACE ONLY WITH SAME TYPE NO. 491005 MFD, BY LITTELFUSE INC. FOR IC5501 (AEK7019).

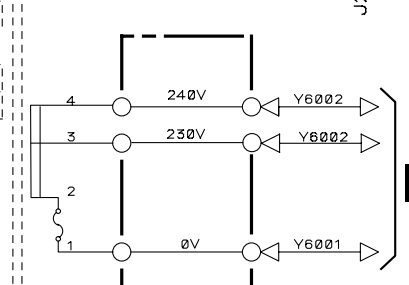
N REGULATOR ASSY (AWX7562)



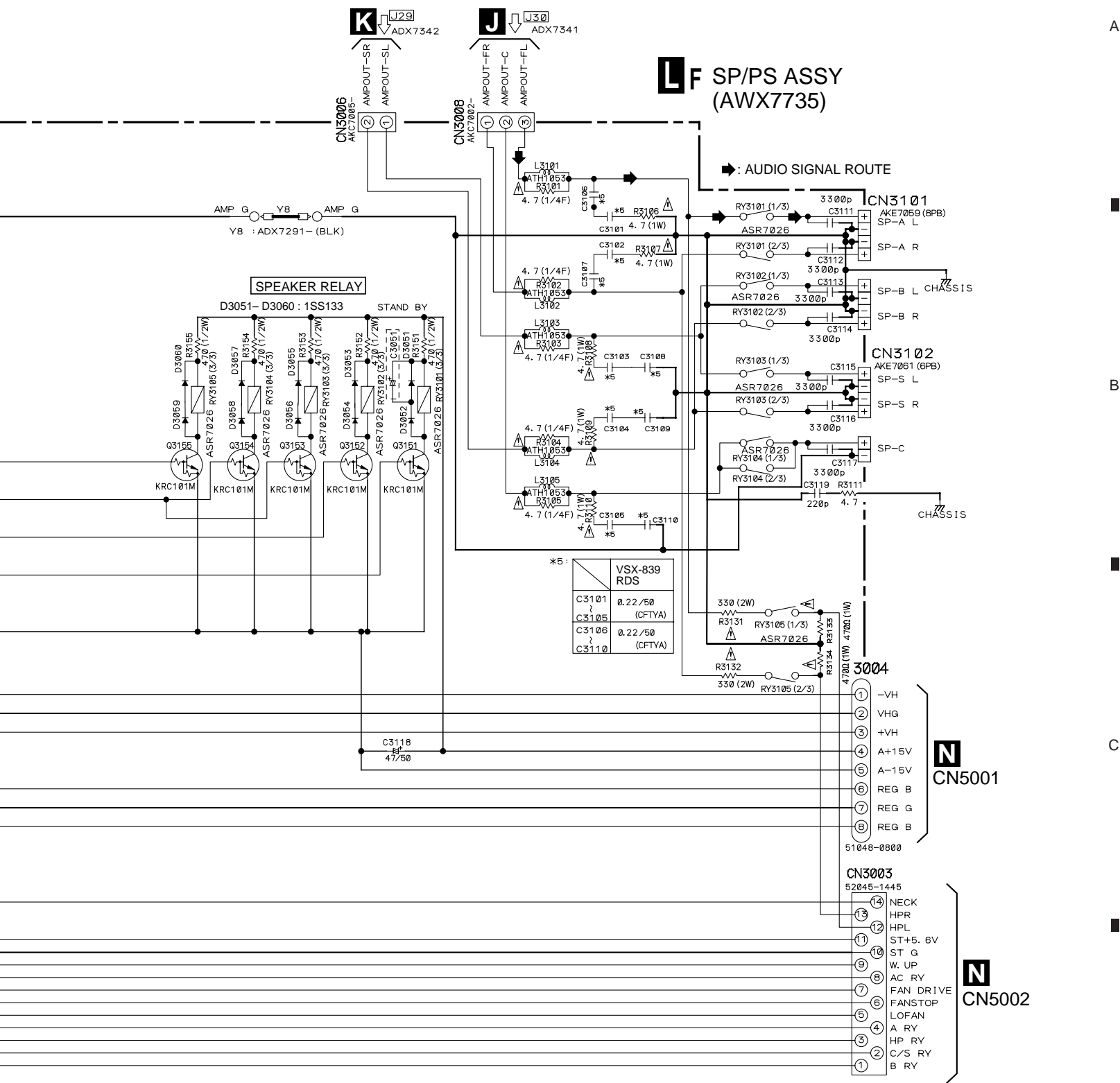
O TRANS 2-2 ASSY (AWX7720)



P TRANS 1 ASSY (AWX7564)



N O F P



• NOTE FOR FUSE REPLACEMENT
CAUTION -FOR CONTINUED PROTECTION AGAINST RISK OF FIRE.
 REPLACE WITH SAME TYPE AND RATINGS ONLY.

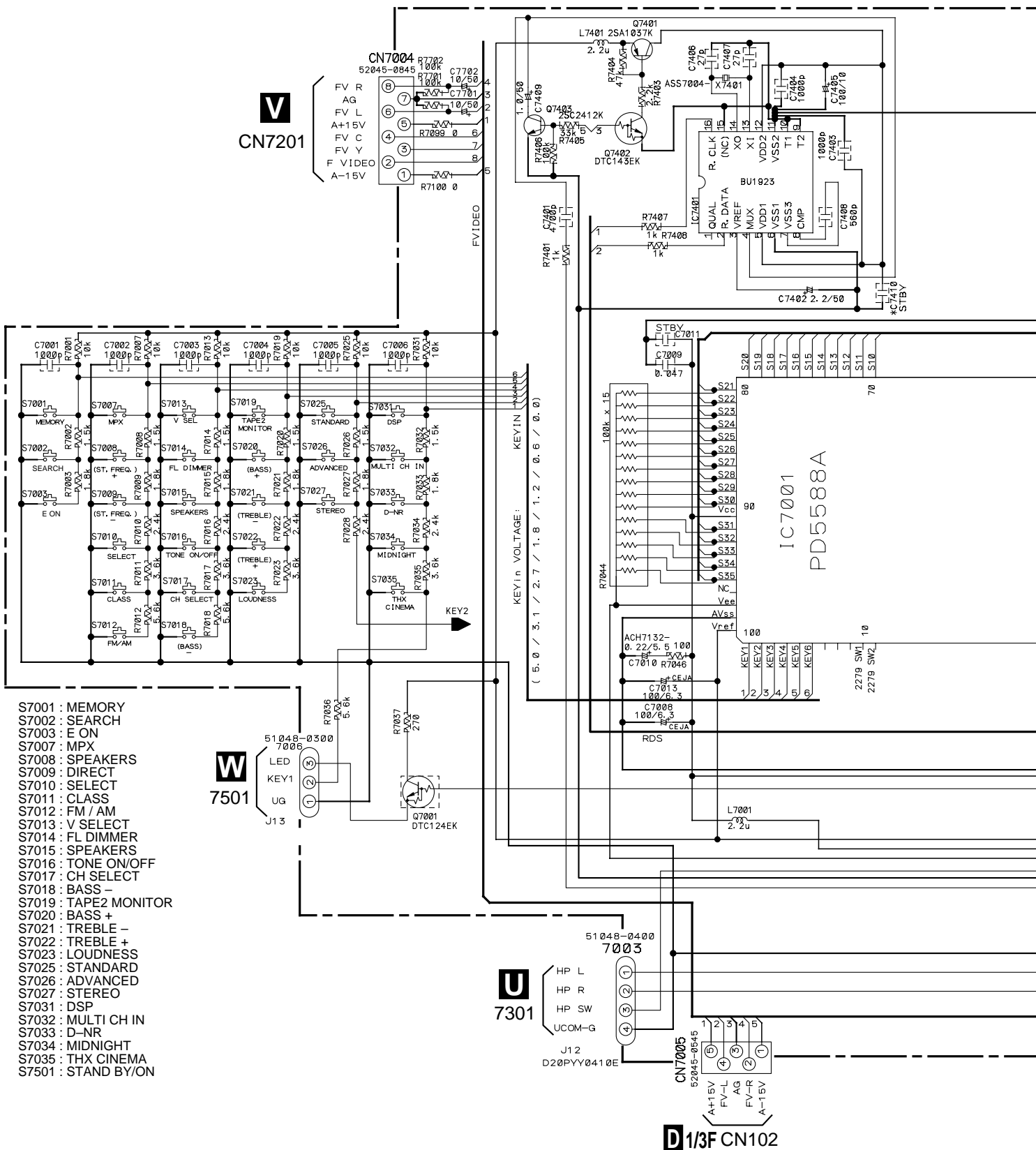
3.7 DISPLAY ASSY

A

B

C

D



- S7001 : MEMORY
- S7002 : SEARCH
- S7003 : E ON
- S7007 : MPX
- S7008 : SPEAKERS
- S7009 : DIRECT
- S7010 : SELECT
- S7011 : CLASS
- S7012 : FM / AM
- S7013 : V SELECT
- S7014 : FL DIMMER
- S7015 : SPEAKERS
- S7016 : TONE ON/OFF
- S7017 : CH SELECT
- S7018 : BASS -
- S7019 : TAPE2 MONITOR
- S7020 : BASS +
- S7021 : TREBLE -
- S7022 : TREBLE +
- S7023 : LOUDNESS
- S7025 : STANDARD
- S7026 : ADVANCED
- S7027 : STEREO
- S7031 : DSP
- S7032 : MULTI CH IN
- S7033 : D-NR
- S7034 : MIDNIGHT
- S7035 : THX CINEMA
- S7501 : STAND BY/ON



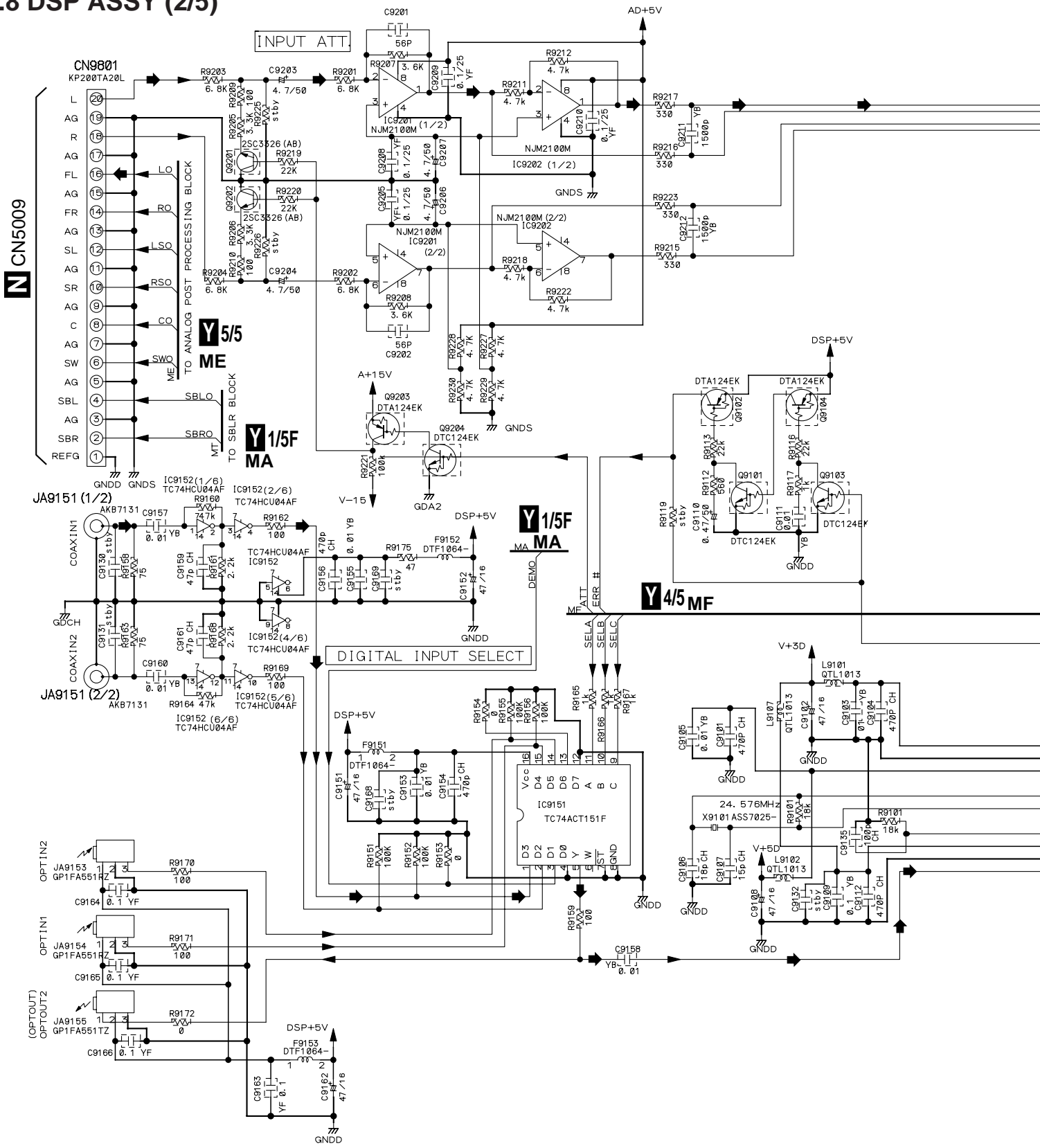
3.8 DSP ASSY (2/5)

A

B

C

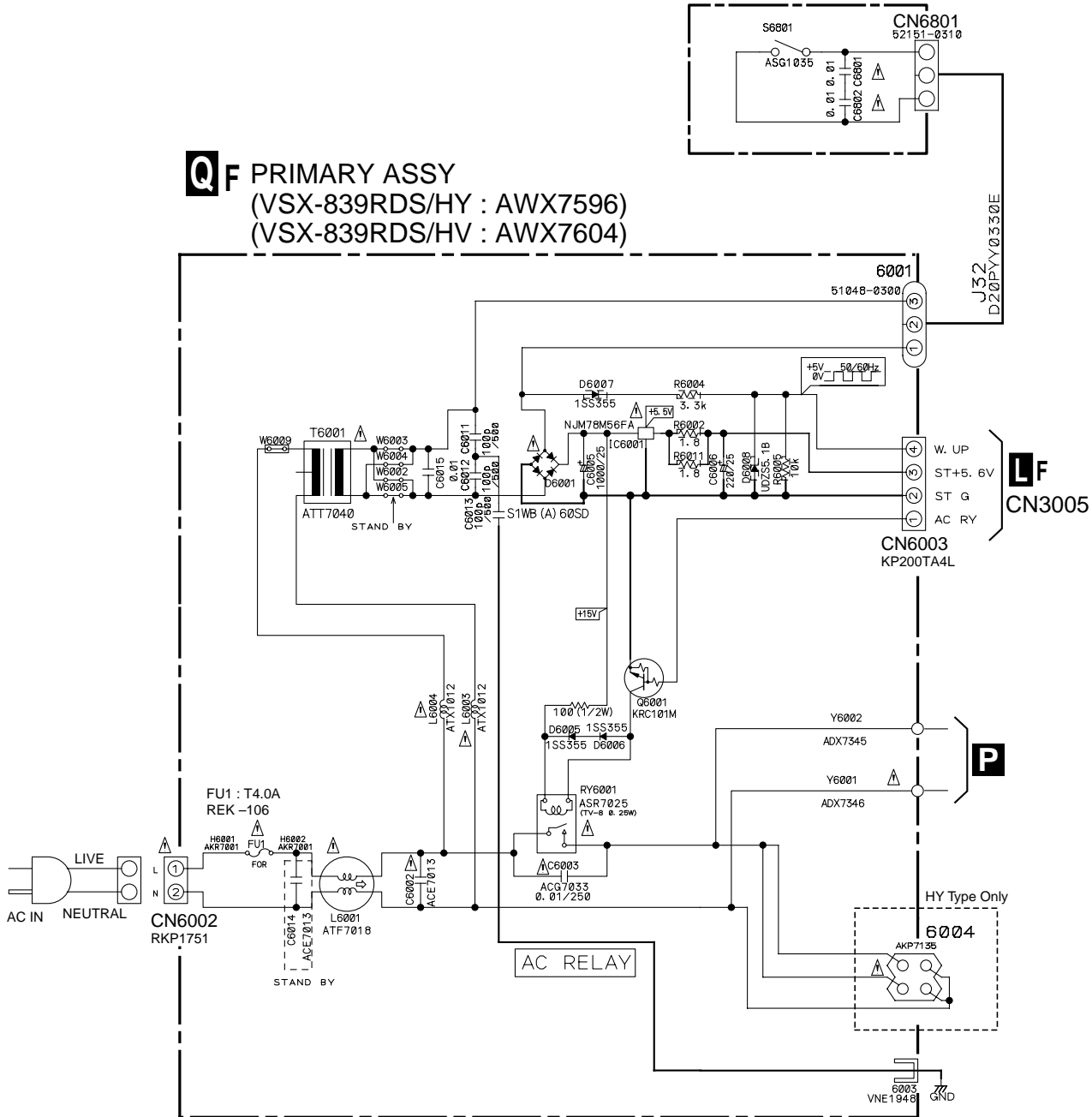
D



3.9 PRIMARY and P-SW ASSYS

QA P-SW ASSY (AWX7593)

QF PRIMARY ASSY (VSX-839RDS/HY : AWX7596) (VSX-839RDS/HV : AWX7604)



The Δ mark found on some component parts indicates the importance of the safety factor of the part. Therefore, when replacing, be sure to use parts of identical designation.

• NOTE FOR FUSE REPLACEMENT
**CAUTION -FOR CONTINUED PROTECTION AGAINST RISK OF FIRE.
 REPLACE WITH SAME TYPE AND RATINGS ONLY.**