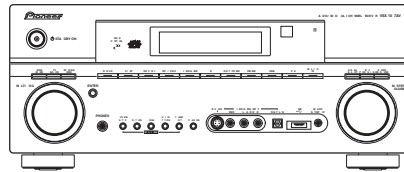


Service Manual



VSX-1017AV-K

ORDER NO.
RRV3599

AUDIO/VIDEO MULTI-CHANNEL RECEIVER

VSX-1017AV-K

VSX-1017AV-S

VSX-1017TXV-K

VSX-90TXV

THIS MANUAL IS APPLICABLE TO THE FOLLOWING MODEL(S) AND TYPE(S).

Model	Type	Power Requirement	Remarks
VSX-1017AV-K	HYXJ5	AC 220 V to 230V	
VSX-1017AV-S	HYXJ5	AC 220 V to 230V	
VSX-1017TXV-K	KUXJ	AC 120 V	
VSX-90TXV	KUXJ/CA	AC 120 V	



For details, refer to "Important Check Points for good servicing".

SAFETY INFORMATION



This service manual is intended for qualified service technicians ; it is not meant for the casual do-it-yourselfer. Qualified technicians have the necessary test equipment and tools, and have been trained to properly and safely repair complex products such as those covered by this manual. Improperly performed repairs can adversely affect the safety and reliability of the product and may void the warranty. If you are not qualified to perform the repair of this product properly and safely, you should not risk trying to do so and refer the repair to a qualified service technician.



WARNING

This product contains lead in solder and certain electrical parts contain chemicals which are known to the state of California to cause cancer, birth defects or other reproductive harm.

Health & Safety Code Section 25249.6 - Proposition 65



NOTICE

(FOR CANADIAN MODEL ONLY)

Fuse symbols  (fast operating fuse) and/or  (slow operating fuse) on PCB indicate that replacement parts must be of identical designation.

REMARQUE

(POUR MODÈLE CANADIEN SEULEMENT)

Les symboles de fusible  (fusible de type rapide) et/ou  (fusible de type lent) sur CCI indiquent que les pièces de remplacement doivent avoir la même désignation.

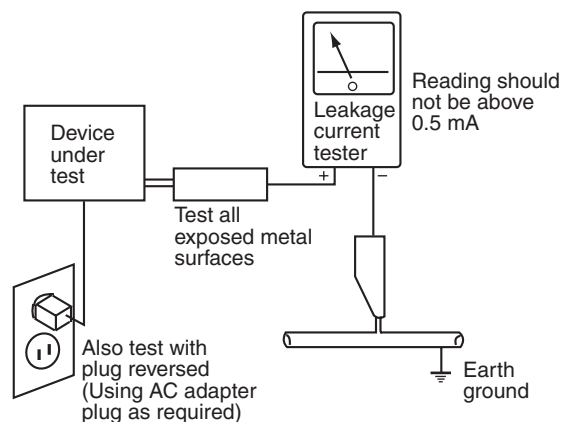
(FOR USA MODEL ONLY)

1. SAFETY PRECAUTIONS

The following check should be performed for the continued protection of the customer and service technician.

LEAKAGE CURRENT CHECK

Measure leakage current to a known earth ground (water pipe, conduit, etc.) by connecting a leakage current tester such as Simpson Model 229-2 or equivalent between the earth ground and all exposed metal parts of the appliance (input/output terminals, screwheads, metal overlays, control shaft, etc.). Plug the AC line cord of the appliance directly into a 120V AC 60 Hz outlet and turn the AC power switch on. Any current measured must not exceed 0.5 mA.




AC Leakage Test

ANY MEASUREMENTS NOT WITHIN THE LIMITS OUTLINED ABOVE ARE INDICATIVE OF A POTENTIAL SHOCK HAZARD AND MUST BE CORRECTED BEFORE RETURNING THE APPLIANCE TO THE CUSTOMER.

2. PRODUCT SAFETY NOTICE

Many electrical and mechanical parts in the appliance have special safety related characteristics. These are often not evident from visual inspection nor the protection afforded by them necessarily can be obtained by using replacement components rated for voltage, wattage, etc. Replacement parts which have these special safety characteristics are identified in this Service Manual.

Electrical components having such features are identified by marking with a  on the schematics and on the parts list in this Service Manual.

The use of a substitute replacement component which does not have the same safety characteristics as the PIONEER recommended replacement one, shown in the parts list in this Service Manual, may create shock, fire, or other hazards.

Product Safety is continuously under review and new instructions are issued from time to time. For the latest information, always consult the current PIONEER Service Manual. A subscription to, or additional copies of, PIONEER Service Manual may be obtained at a nominal charge from PIONEER.

[Important Check Points for Good Servicing]

In this manual, procedures that must be performed during repairs are marked with the below symbol. Please be sure to confirm and follow these procedures.

1. Product safety



Please conform to product regulations (such as safety and radiation regulations), and maintain a safe servicing environment by following the safety instructions described in this manual.

- ① Use specified parts for repair.

Use genuine parts. Be sure to use important parts for safety.

- ② Do not perform modifications without proper instructions.

Please follow the specified safety methods when modification (addition/change of parts) is required due to interferences such as radio/TV interference and foreign noise.

- ③ Make sure the soldering of repaired locations is properly performed.

When you solder while repairing, please be sure that there are no cold solder and other debris. Soldering should be finished with the proper quantity. (Refer to the example)

- ④ Make sure the screws are tightly fastened.

Please be sure that all screws are fastened, and that there are no loose screws.

- ⑤ Make sure each connectors are correctly inserted.

Please be sure that all connectors are inserted, and that there are no imperfect insertion.

- ⑥ Make sure the wiring cables are set to their original state.

Please replace the wiring and cables to the original state after repairs. In addition, be sure that there are no pinched wires, etc.

- ⑦ Make sure screws and soldering scraps do not remain inside the product.

Please check that neither solder debris nor screws remain inside the product.

- ⑧ There should be no semi-broken wires, scratches, melting, etc. on the coating of the power cord.

Damaged power cords may lead to fire accidents, so please be sure that there are no damages. If you find a damaged power cord, please exchange it with a suitable one.

- ⑨ There should be no spark traces or similar marks on the power plug.

When spark traces or similar marks are found on the power supply plug, please check the connection and advise on secure connections and suitable usage. Please exchange the power cord if necessary.

- ⑩ Safe environment should be secured during servicing.

When you perform repairs, please pay attention to static electricity, furniture, household articles, etc. in order to prevent injuries. Please pay attention to your surroundings and repair safely.

2. Adjustments



To keep the original performance of the products, optimum adjustments and confirmation of characteristics within specification. Adjustments should be performed in accordance with the procedures/instructions described in this manual.

3. Lubricants, Glues, and Replacement parts



Use grease and adhesives that are equal to the specified substance. Make sure the proper amount is applied.

4. Cleaning



For parts that require cleaning, such as optical pickups, tape deck heads, lenses and mirrors used in projection monitors, proper cleaning should be performed to restore their performances.

5. Shipping mode and Shipping screws



To protect products from damages or failures during transit, the shipping mode should be set or the shipping screws should be installed before shipment. Please be sure to follow this method especially if it is specified in this manual.

CONTENTS

- SAFETY INFORMATION..... 2
- 1. SERVICE PRECAUTIONS 6
 - 1.1 NOTES ON SOLDERING 6
- 2. SPECIFICATIONS 7
 - 2.1 ACCESSORIES 7
 - 2.2 SPECIFICATIONS 8
 - 2.3 PANEL FACILITIES..... 10
- 3. BASIC ITEMS FOR SERVICE..... 21
 - 3.1 CHECK POINTS AFTER SERVICING..... 21
 - 3.2 PCB LOCATIONS 22
 - 3.3 JIGS LIST 24
- 4. BLOCK DIAGRAM..... 26
 - 4.1 OVERALL WIRING DIAGRAM 26
 - 4.2 BLOCK DIAGRAM for AUDIO BLOCK 28
 - 4.3 BLOCK DIAGRAM for VIDEO BLOCK..... 30
- 5. DIAGNOSIS..... 32
 - 5.1 DIAGNOSIS FLOWCHART 32
 - 5.2 CIRCUIT DESCRIPTION 59
- 6. SERVICE MODE 61
 - 6.1 TEST MODE 61
- 7. DISASSEMBLY 64
- 8. EACH SETTING AND ADJUSTMENT 71
 - 8.1 ADJUSTMENT 71
 - 8.2 HOW TO UPDATE FIRMWARE..... 71
- 9. EXPLODED VIEWS AND PARTS LIST..... 72
 - 9.1 PACKING 72
 - 9.2 EXTERIOR SECTION..... 74
 - 9.3 CHASSIS SECTION 76
 - 9.4 REAR SECTION 78
 - 9.5 POWER AMP SECTION..... 82
 - 9.6 FRONT PANEL SECTION 84
- 10. SCHEMATIC DIAGRAM..... 86
 - 10.1 AUDIO IN ASSY (1/2)..... 86
 - 10.2 AUDIO IN (2/2) and 12V-REG ASSYS..... 88
 - 10.3 MAIN CONTROL ASSY (1/2)..... 90
 - 10.4 MAIN CONTROL (2/2), GUARD-C and GUARD-F and GUARD-R ASSYS 92
 - 10.5 DSP ASSY (1/2) (for VSX-1017AV) 94
 - 10.6 DSP ASSY (2/2) (for VSX-1017AV) 96
 - 10.7 DSP ASSY (1/2) (for VSX-1017TXV and VSX-90TXV) 98
 - 10.8 DSP ASSY (2/2) (for VSX-1017TXV and VSX-90TXV) 100
 - 10.9 COMPOSITE ASSY 102
 - 10.10 S-VIDEO and BRIDGE 2 ASSYS 104
 - 10.11 COMPONENT ASSY 106
 - 10.12 DISPLAY, VOLUME and MULTI JOG ASSYS..... 108
 - 10.13 HEADPHONE, FRONT-IN, PRIMARY and TRANS 1 ASSYS..... 110
 - 10.14 TRANS 2-1, DIODE 1, VH TR and PS/SP ASSYS 112
 - 10.15 TRANS 2-2, TRANS SIDE, LOCAL P-SUPPLY, DC/DC, IR I/O and VIDEO CONNECT ASSYS 114
 - 10.16 POWER AMP-L, POSI 1-L and POSI 2-L ASSYS 116
 - 10.17 POWER AMP-R and POSI 1-R ASSYS..... 118
 - 10.18 BRIDGE 1-L, POWER AMP IN and POWER PROTECT ASSYS 120
 - 10.19 HDMI & DVC ASSY 122
 - 10.20 USB ASSY (VSX-1017AV ONLY) 124
- 11. PCB CONNECTION DIAGRAM..... 127
 - 11.1 AUDIO IN ASSY 128
 - 11.2 12V-REG ASSY..... 132
 - 11.3 BRIDGE 2 ASSY 133
 - 11.4 MAIN CONTROL ASSY 134
 - 11.5 DSP ASSY 138
 - 11.6 IR I/O ASSY 139
 - 11.7 COMPOSITE ASSY 140
 - 11.8 S-VIDEO ASSY 144
 - 11.9 COMPONENT ASSY 148
 - 11.10 DISPLAY ASSY 152
 - 11.11 VOLUME ASSY 156
 - 11.12 HEADPHONE ASSY 157

	5	6	7	8	
11.13	MULTI JOG ASSY			158	
11.14	FRONT-IN ASSY			162	
11.15	PRIMARY ASSY			166	
11.16	TRANS 1 ASSYS			170	
11.17	TRANS 2-1 ASSY			171	A
11.18	DIODE 1 and VH TR ASSYS			172	
11.19	BRIDGE 1-L ASSY			173	
11.20	PS/SP ASSY			174	
11.21	TRANS 2-2 ASSY			178	
11.22	POSI 1-L, POSI 2-L and POSI 1-R ASSYS			179	
11.23	TRANS SIDE ASSY			180	
11.24	LOCAL P-SUPPLY ASSY			182	
11.25	DC/DC ASSY			184	
11.26	VIDEO CONNECT ASSY			186	
11.27	POWER AMP-L ASSY			188	
11.28	POWER AMP-R ASSY			192	
11.29	POWER AMP IN ASSY			196	B
11.30	POWER PROTECT ASSY			198	
11.31	HDMI & DVC ASSY			200	
11.32	USB ASSY (VSX-1017AV ONLY)			201	
12.	PCB PARTS LIST			202	

1. SERVICE PRECAUTIONS

1.1 NOTES ON SOLDERING

- For environmental protection, lead-free solder is used on the printed circuit boards mounted in this unit.
Be sure to use lead-free solder and a soldering iron that can meet specifications for use with lead-free solders for repairs accompanied by reworking of soldering.
- Compared with conventional eutectic solders, lead-free solders have higher melting points, by approximately 40 °C.
Therefore, for lead-free soldering, the tip temperature of a soldering iron must be set to around 373 °C in general, although the temperature depends on the heat capacity of the PC board on which reworking is required and the weight of the tip of the soldering iron.

Do NOT use a soldering iron whose tip temperature cannot be controlled.

Compared with eutectic solders, lead-free solders have higher bond strengths but slower wetting times and higher melting temperatures (hard to melt/easy to harden).

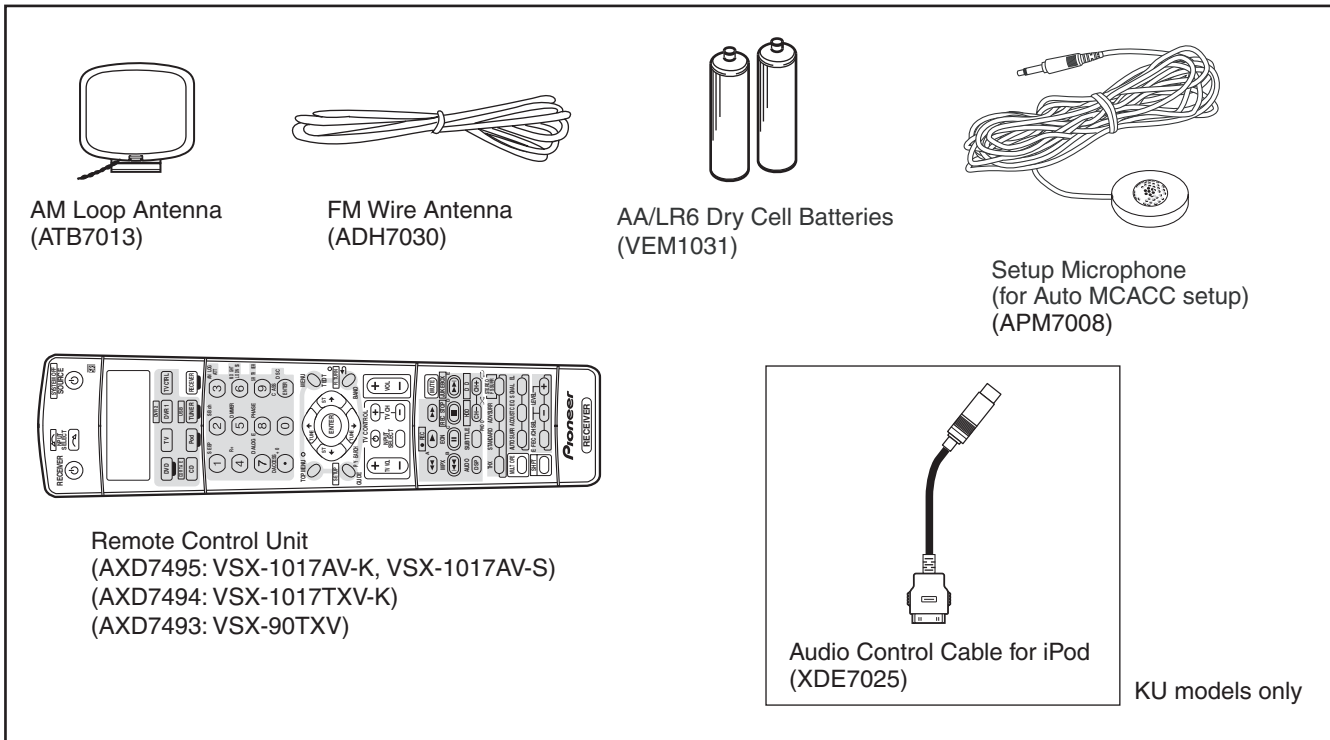
The following lead-free solders are available as service parts:

- Parts numbers of lead-free solder:
 - GYP1006 1.0 in dia.
 - GYP1007 0.6 in dia.
 - GYP1008 0.3 in dia.

2. SPECIFICATIONS

2.1 ACCESSORIES

● Accessories



Windows Media™ and the Windows logo are trademarks or registered trademarks of Microsoft Corporation in the United States and/or other countries.

THX and the THX logo is a trademark of THX Ltd. which may be registered in some jurisdictions. All rights reserved.

Manufactured under license from Dolby Laboratories. "Dolby", "Pro Logic", "Surround EX", and the double-D symbol are trademarks of Dolby Laboratories.

"DTS" and "DTS-ES | Neo: 6" are registered trademarks of DTS, Inc. "96/24" is a trademark of DTS, Inc.

2.2 SPECIFICATIONS

● VSX-1017AV-K/VSX-1017AV-S

A **Amplifier section**

Continuous Power Output (Stereo)

Front 150 W + 150 W (DIN 1 kHz, THD 1 %, 6 Ω)
120 W + 120 W (DIN 1 kHz, THD 1 %, 8 Ω)

Continuous Power Output (Multichannel)

Front 150 W + 150 W (DIN 1 kHz, THD 1 %, 6 Ω)
120 W + 120 W (DIN 1 kHz, THD 1 %, 8 Ω)
Center 150 W (DIN 1 kHz, THD 1 %, 6 Ω)
120 W (DIN 1 kHz, THD 1 %, 8 Ω)
Surround... 150 W + 150 W (DIN 1 kHz, THD 1 %, 6 Ω)
120 W + 120 W (DIN 1 kHz, THD 1 %, 8 Ω)

Surround back

..... 150 W + 150 W (DIN 1 kHz, THD 1 %, 6 Ω)
120 W + 120 W (DIN 1 kHz, THD 1 %, 8 Ω)

Rated Power Output 130 W + 130 W
(20 Hz to 20 kHz, 0.09 %, 6 Ω)

Rated Power Output 110 W + 110 W
(20 Hz to 20 kHz, 0.09 %, 8 Ω)

- The above specifications are applicable when the power supply is 230V.

Audio Section

Input (Sensitivity/Impedance)

LINE 335 mV/47 kΩ

Frequency Response (LINE) 5 Hz to 100 000 Hz ± 0.3 dB

Output (Level/Impedance)

REC 335 mV/2.2 kΩ

Tone Control

BASS ± 6 dB (100 Hz)

TREBLE ± 6 dB (10 kHz)

LOUDNESS +4 dB / +2 dB (100 Hz/10 kHz)

(at volume position -40 dB)

Signal-to-Noise Ratio (IHF, short circuited, A network)

LINE 103 dB

Signal-to-Noise Ratio

[DIN (continuous rated power output/50 mW)]

LINE 92 dB / 65 dB

Composite Video / S-Video Section

Input (Sensitivity/Impedance) 1 Vp-p/75 Ω

Output (Level/Impedance) 1 Vp-p/75 Ω

Signal-to-Noise Ratio 65 dB

Frequency Response 5 Hz to 10 MHz

Component Video Section

Input (Sensitivity/Impedance) 1 Vp-p/75 Ω

Output (Level/Impedance) 1 Vp-p/75 Ω

Signal-to-Noise Ratio 65 dB

Frequency Response 5 Hz to 100 MHz

FM Tuner Section

Frequency Range 87.5 MHz to 108 MHz

Usable Sensitivity Mono: 15.2 dBf, IHF (1.6 μV/75 Ω)

50 dB Quieting Sensitivity Mono: 20.2 dBf

Stereo: 41.2 dBf

Sensitivity (DIN) Mono: 1.1 μV (S/N 26 dB)

Stereo: 50 μV (S/N 46 dB)

Signal-to-Noise Ratio Mono: 76 dB (at 85 dBf)

Stereo: 72 dB (at 85 dBf)

Signal-to-Noise Ratio (DIN) Mono: 62 dB

Stereo: 58 dB

Distortion Stereo: 0.6 % (1 kHz)

Alternate Channel Selectivity 70 dB (400 kHz)

Stereo Separation 40 dB (1 kHz)

Frequency Response 30 Hz to 15 kHz ± 1 dB

Antenna Input 75 Ω unbalanced

AM Tuner Section

Frequency Range 531 kHz to 1602 kHz (9 kHz step)

Sensitivity (IHF, Loop antenna) 350 μV/m

Selectivity 30 dB

Signal-to-Noise Ratio 50 dB

Antenna Loop antenna

Miscellaneous

Power Requirements ... AC 220 V to 230 V, 50 Hz / 60 Hz

Power Consumption 450 W

In standby 0.5 W

Dimensions 420 (W) mm x 173 (H) mm x 465 (D) mm

Weight (without package) 15.0 kg

Furnished Parts

Setup microphone (for Auto MCACC setup) 1

AA/IEC R6P dry cell batteries 2

Remote control unit 1

AM loop antenna 1

FM wire antenna 1

Warranty card 1

Operating instructions



Note

- Specifications and the design are subject to possible modifications without notice, due to improvements.

● VSX-90TXV/VSX-1017TXV-K

Amplifier section

Continuous average power output of 110 watts* per channel, min., at 8 ohms, from 20 Hz to 20 000 Hz with no more than 0.09 %** total harmonic distortion (front).

Continuous Power Output (20 Hz to 20 kHz, 8 Ω, 0.09 %)

Front 110 W + 110 W
Center 110 W
Surround 110 W + 110 W
Surround back 110 W + 110 W

Continuous Power Output (1 kHz, 6 Ω, 1.0 %)

Front 150 W + 150 W
Center 150 W
Surround 150 W + 150 W
Surround back 150 W + 150 W

Total harmonic distortion 0.09 %
(20 Hz to 20 kHz, 110 W, 8 Ω)

* Measured pursuant to the Federal Trade Commission's Trade Regulation rule on Power Output Claims for Amplifiers

** Measured by Audio Spectrum Analyzer

Audio Section

Input (Sensitivity/Impedance)
LINE 335 mV/47 kΩ
Frequency Response (LINE) 5 Hz to 100 000 Hz ±3 dB
Output (Level/Impedance)
REC 335 mV/2.2 kΩ
Tone Control
BASS ± 6 dB (100 Hz)
TREBLE ± 6 dB (10 kHz)
LOUDNESS +4 dB / +2 dB (100 Hz/10 kHz)
(at volume position -40 dB)
Signal-to-Noise Ratio (IHF, short circuited, A network)
LINE 103 dB
Signal-to-Noise Ratio [EIA, at 1 W (1 kHz)]
LINE 83 dB

Composite Video / S-Video Section

Input (Sensitivity/Impedance) 1 Vp-p/75 Ω
Output (Level/Impedance) 1 Vp-p/75 Ω
Signal-to-Noise Ratio 65 dB
Frequency Response 5 Hz to 10 MHz

Component Video Section

Input (Sensitivity/Impedance) 1 Vp-p/75 Ω
Output (Level/Impedance) 1 Vp-p/75 Ω
Signal-to-Noise Ratio 65 dB
Frequency Response 5 Hz to 100 MHz

FM Tuner Section

Frequency Range 87.5 MHz to 108 MHz
Usable Sensitivity Mono: 13.2 dBf, IHF (1.3 μV/75 Ω)
50 dB Quieting Sensitivity Mono: 20.2 dBf
Stereo: 38.6 dBf
Signal-to-Noise Ratio Mono: 73 dB (at 85 dBf)
Stereo: 70 dB (at 85 dBf)
Distortion Stereo: 0.5 % (1 kHz)
Alternate Channel Selectivity 60 dB (400 kHz)
Stereo Separation 40 dB (1 kHz)
Frequency Response 30 Hz to 15 kHz ± 1 dB
Antenna Input 75 Ω unbalanced

AM Tuner Section

Frequency Range 530 kHz to 1700 kHz
Sensitivity (IHF, Loop antenna) 350 μV/m
Selectivity 25 dB
Signal-to-Noise Ratio 50 dB
Antenna Loop antenna

Miscellaneous

Power Requirements AC 120 V, 60 Hz
Power Consumption 490 W, 650 VA
In standby 0.5 W
AC Outlet (switched) 100 W MAX.
Dimensions 420 (W) mm x 173 (H) mm x 465 (D) mm
(16 ⁹/₁₆ (W) in. x 6 ¹³/₁₆ (H) in. x 18 ⁵/₁₆ (D) in.)
Weight (without package) 15.0 kg (33 lbs 1 oz)

Furnished Parts

Setup microphone (for Auto MCACC setup) 1
AA/IEC R6P dry cell batteries 2
Remote control unit 1
AM loop antenna 1
FM wire antenna 1
Warranty card 1
Operating instructions
(*) Audio Control cable for iPod 1

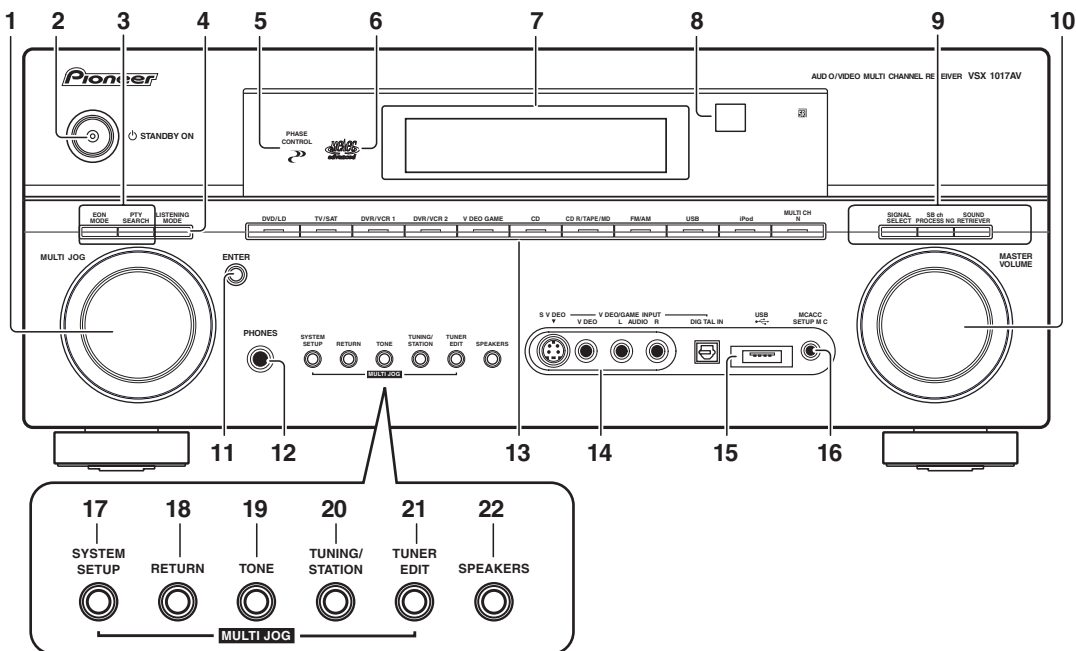
Note

- Specifications and the design are subject to possible modifications without notice, due to improvements.

(*) KU models only

2.3 PANEL FACILITIES

● Front Panel (VSX-1017AV-K/VSX-1017AV-S)



1 MULTI JOG dial

Use the **MULTI JOG** dial to select various settings and menu options.

2 **STANDBY/ON**

Switches the receiver between on and standby. Power indicator lights when the receiver is on.

3 **EON MODE**

Use to search for programs that are broadcasting traffic or news information.

PTY SEARCH

Use this button to search for RDS program types.

4 **LISTENING MODE**

Use with the **MULTI JOG** dial to select the various listening modes.

5 **PHASE CONTROL** indicator

Lights when Phase Control is switched on.

6 **MCACC** indicator

Lights when Acoustic Calibration EQ is on (Acoustic Calibration EQ is automatically set to on after the Auto MCACC Setup or Advanced EQ Setup.)

7 **Character display**

8 **Remote sensor**

Receives the signals from the remote control.

9 **SIGNAL SELECT**

Use to select an input signal.

SB ch PROCESSING – Selects the surround back channel mode or virtual surround back mode.

SOUND RETRIEVER – Press to restore CD quality sound to compressed audio sources.

10 **MASTER VOLUME** dial

11 **ENTER**

12 **PHONES** jack

Use to connect headphones. When the headphones are connected, there is no sound output from the speakers.

13 **Input source** buttons

Press to select an input source.

14 **VIDEO/GAME INPUT**

15 **USB** interface

Connect a USB audio device for playback.

16 **MCACC SETUP MIC** jack

Use to connect the supplied microphone.

17 **SYSTEM SETUP**

Press to access the System Setup menu.

18 **RETURN**

Press to confirm and exit the current menu screen.

19 **TONE**

Press this button to access the bass and treble controls, which you can then adjust with the **MULTI JOG** dial.

20 **TUNING/STATION**

Use to find radio frequencies and to select preset stations.

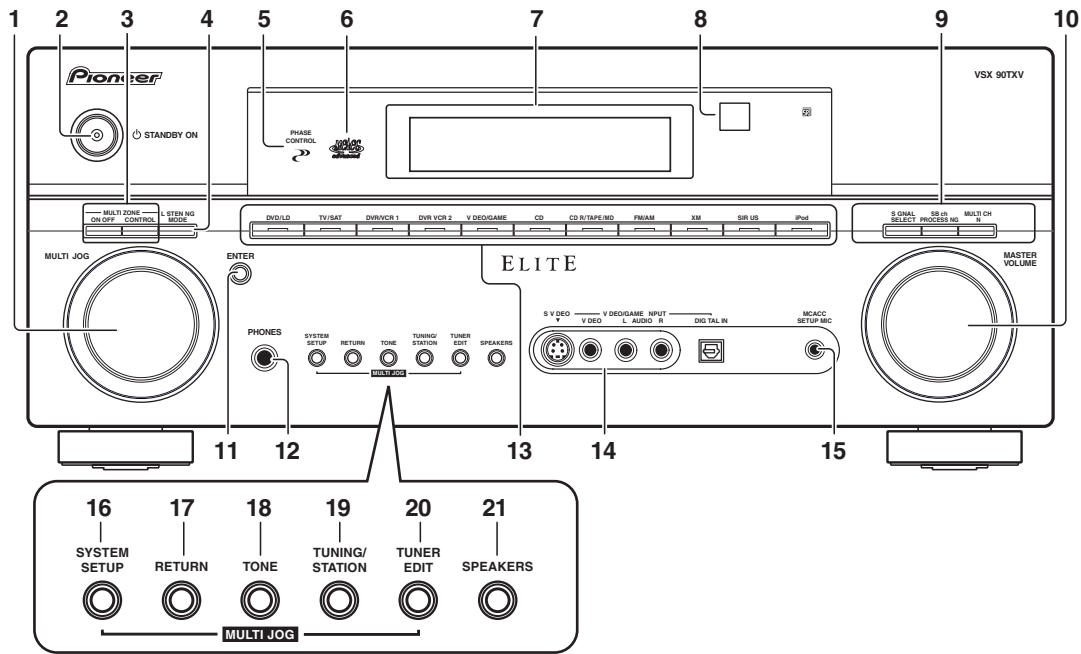
21 **TUNER EDIT**

Use with the **MULTI JOG** dial to memorize and name stations for recall.

22 **SPEAKERS**

Use to change the speaker system.

● Front Panel (VSX-90TXV)



1 MULTI JOG dial

Use the **MULTI JOG** dial to select various settings and menu options.

2 STANDBY/ON

Switches the receiver between on and standby. Power indicator lights when the receiver is on.

3 MULTI ZONE controls

If you've made MULTI-ZONE connections use these controls to control the sub zone from the main zone.

4 LISTENING MODE

Use with the **MULTI JOG** dial to select the various listening modes.

5 PHASE CONTROL indicator

Lights when Phase Control is switched on.

6 MCACC indicator

Lights when Acoustic Calibration EQ is on (Acoustic Calibration EQ is automatically set to on after the Auto MCACC Setup or Advanced EQ Setup).

7 Character display

8 Remote sensor

Receives the signals from the remote control.

9 SIGNAL SELECT

Use to select an input signal.

SB ch PROCESSING – Selects the surround back channel mode or virtual surround back mode.

MULTI CH IN – Press to select the multichannel analog inputs.

10 MASTER VOLUME dial

11 ENTER

12 PHONES jack

Use to connect headphones. When the headphones are connected, there is no sound output from the speakers.

13 Input source buttons

Press to select an input source (press **VIDEO SELECT** repeatedly to select the video source).

14 VIDEO/GAME INPUT

15 MCACC SETUP MIC jack

Use to connect the supplied microphone.

16 SYSTEM SETUP

Press to access the System Setup menu.

17 RETURN

Press to confirm and exit the current menu screen.

18 TONE

Press this button to access the bass and treble controls, which you can then adjust with the **MULTI JOG** dial.

19 TUNING/STATION

Use to find radio frequencies and to select preset stations.

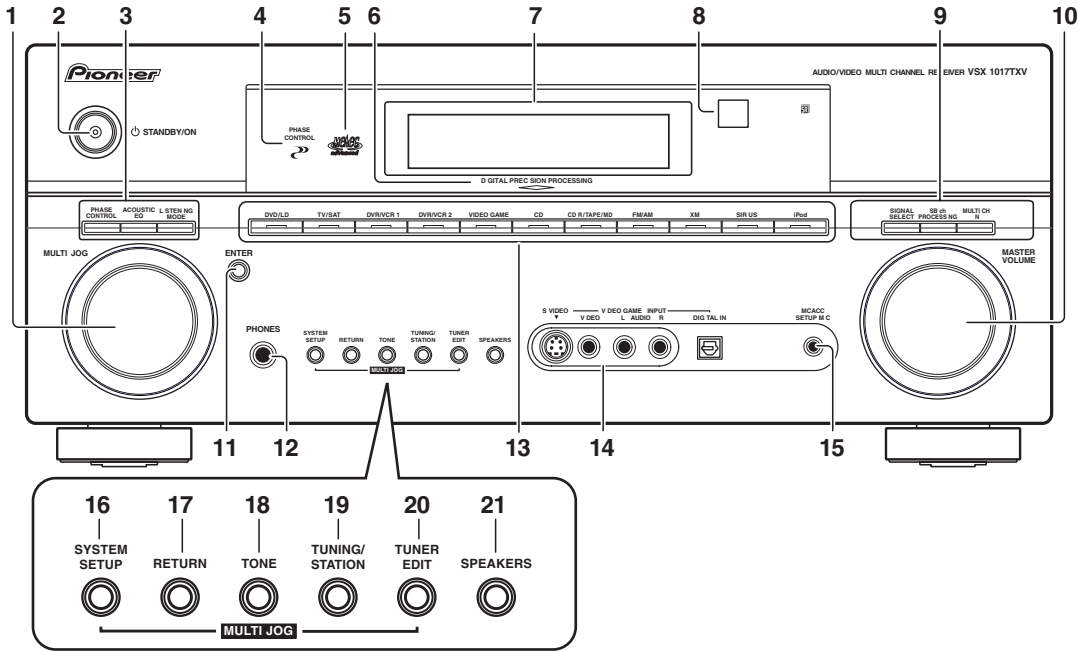
20 TUNER EDIT

Use with the **MULTI JOG** dial to memorize and name stations for recall.

21 SPEAKERS

Use to change the speaker system.

● Front Panel (VSX-1017TXV-K)



1 MULTI JOG dial

Use the **MULTI JOG** dial to select various settings and menu options.

2 STANDBY/ON

Switches the receiver between on and standby. Power indicator lights when the receiver is on.

3 PHASE CONTROL

Press to switch on/off Phase Control.

ACOUSTIC EQ

Press to select an Acoustic Calibration EQ setting.

LISTENING MODE

Use with the **MULTI JOG** dial to select the various listening modes.

4 PHASE CONTROL indicator

Lights when Phase Control is switched on.

5 MCACC indicator

Lights when Acoustic Calibration EQ is on (Acoustic Calibration EQ is automatically set to on after the Auto MCACC Setup or Advanced EQ Setup).

6 DIGITAL PRECISION PROCESSING indicator

Light to indicate digital processing (for example, it disappears when listening through the multichannel analog inputs).

7 Character display

8 Remote sensor

Receives the signals from the remote control.

9 SIGNAL SELECT

Use to select an input signal.

SB ch PROCESSING

Selects the surround back channel mode or virtual surround back mode.

MULTI CH IN

Press to select the multichannel analog inputs.

10 MASTER VOLUME dial

11 ENTER

12 PHONES jack

Use to connect headphones. When the headphones are connected, there is no sound output from the speakers.

13 Input source buttons

Press to select an input source.

14 VIDEO/GAME INPUT

15 MCACC SETUP MIC jack

Use to connect the supplied microphone.

16 SYSTEM SETUP

Press to access the System Setup menu.

17 RETURN

Press to confirm and exit the current menu screen.

18 TONE

Press this button to access the bass and treble controls, which you can then adjust with the **MULTI JOG** dial.

19 TUNING/STATION

Use to find radio frequencies and to select preset stations.

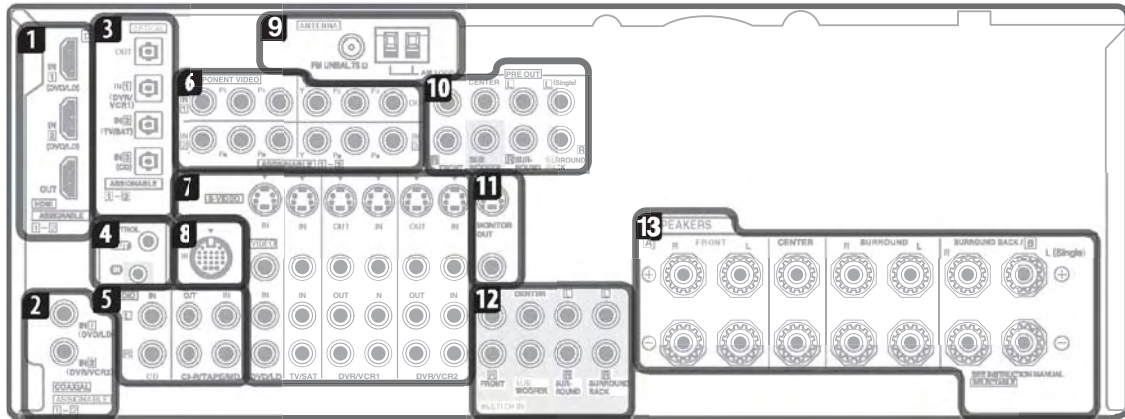
20 TUNER EDIT

Use with the **MULTI JOG** dial to memorize and name stations for recall.

21 SPEAKERS

Use to change the speaker system.

● Rear Panel (VSX-1017AV-K/VSX-1017AV-S)



⚠ Caution

- Before making or changing the connections, switch off the power and disconnect the power cord from the power outlet. Plugging in should be the final step.

1 HDMI connectors (x3)

Two inputs and one output for high-quality audio/video connection to compatible HDMI devices.

2 Coaxial digital audio inputs (x2)

Use for digital audio sources, including DVD players/recorders, digital satellite receivers, CD players, etc.

3 Optical digital audio output/input(s) (x4)

Use the **OUT** jack for recording to a CD or MiniDisc recorder.

Use the **IN** jacks for digital audio sources, including DVD players/recorders, digital satellite receivers, CD players, etc.

4 Control input/output

Use to connect other Pioneer components so that you can control all your equipment from a single IR remote sensor.

5 Stereo analog audio source inputs/outputs (x3)

Use for connection to audio sources such as CD players, tape decks, turntables, etc.

6 Component video connections (x4)

Use the inputs to connect any video source that has component video output, such as a DVD recorder. Use the output for connection to a monitor or TV.

7 Audio/video source inputs/(outputs) (x6)

Use for connection to audio/visual sources, such as DVD players/recorders, VCRs, etc. Each set of inputs has jacks for composite video, S-video and stereo analog audio.

8 iPod input terminal

Use to connect your Apple iPod as an audio source.

9 AM and FM antenna terminals

Use to connect indoor or outdoor antennas for radio broadcasts.

10 Multichannel pre-amplifier outputs

Use to connect separate amplifiers for front, center, surround, surround back and subwoofer channels.

11 Composite and S-video monitor outputs

Use to connect monitors and TVs.

12 Multichannel analog audio inputs

7.1 channel inputs for connection to a DVD player with multichannel analog outputs.

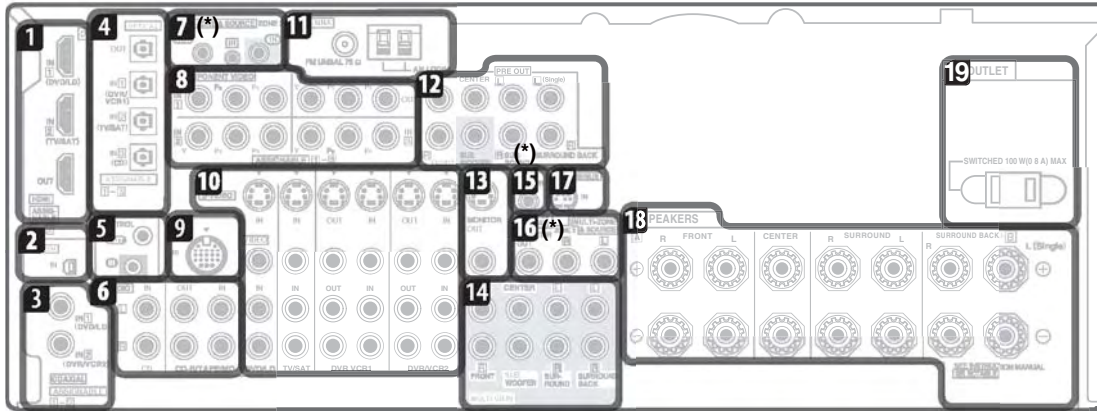
13 Speaker terminals

Use for connection to the main front, center, surround and surround back speakers.

📌 Note

¹You must connect your monitor/TV to the receiver's HDMI/component video outputs when connecting these video sources. If the video signal does not appear on your TV or plasma display, try adjusting the resolution settings on your component or display. Note that some components (such as video game units) have resolutions that may not be converted. In this case, use an (analog) S video or composite connection.

● Rear Panel (VSX-90TXV/VSX-1017TXV-K)



⚠ Caution

- Before making or changing the connections, switch off the power and disconnect the power cord from the power outlet. Plugging in should be the final step.

1 HDMI connectors (x3)

Two inputs and one output for high-quality audio/video connection to compatible HDMI devices.

2 XM Radio input

Use for digital audio sources, including DVD players/recorders, digital satellite receivers, CD players, etc.

3 Coaxial digital audio inputs (x2)

Use for digital audio sources, including DVD players/recorders, digital satellite receivers, CD players, etc.

4 Optical digital audio output/input(s) (x4)

Use the **OUT** jack for recording to a CD or MiniDisc recorder.

Use the **IN** jacks for digital audio sources, including DVD players/recorders, digital satellite receivers, CD players, etc.

5 Control input/output

Use to connect other Pioneer components so that you can control all your equipment from a single IR remote sensor.

6 Stereo analog audio source inputs/outputs (x3)

Use for connection to audio sources such as CD players, tape decks, turntables, etc.

(* 7 Remote input (MULTI-ZONE and source)

Use for connection to an external remote control sensor for use in a MULTI-ZONE setup, for example.

8 Component video connections (x4)

Use the inputs to connect any video source that has component video output, such as a DVD recorder. Use the output for connection to a monitor or TV.

9 iPod input terminal

Use to connect your Apple iPod as an audio source.

10 Audio/video source inputs/outputs (x6)

Use for connection to audio/visual sources, such as DVD players/recorders, VCRs, etc. Each set of inputs has jacks for composite video, S-video and stereo analog audio.

11 AM and FM antenna terminals

Use to connect indoor or outdoor antennas for radio broadcasts.

12 Multichannel pre-amplifier outputs

Use to connect separate amplifiers for front, center, surround, surround back and subwoofer channels.

13 Composite and S-video monitor outputs

Use to connect monitors and TVs.

14 Multichannel analog audio inputs

7.1 channel inputs for connection to a DVD player with multichannel analog outputs.

(* 15 12 V trigger jack (total 50 mA max.)

Use to switch components in your system on and off according to the input function of the receiver.

(* 16 MULTI-ZONE and source outputs

Use to connect a second amplifier in a separate zone.

17 SIRIUS Radio input

18 Speaker terminals

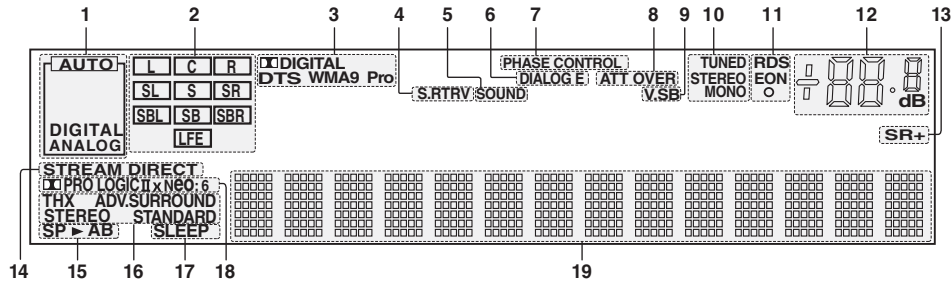
Use for connection to the main front, center, surround and surround back speakers.

19 Switched AC power outlet (100 W/0.8 A max.)

Use to power another component in the system. Power to the outlet switches on and off with the receiver.

(* VSX-90TXV Only

● Display Panel (VSX-1017AV-K/VSX-1017AV-S)



1 SIGNAL indicators

Light to indicate the currently selected input signal.

AUTO lights when the receiver is set to select the input signal automatically.

2 Program format indicators

These change according to which channels are active in digital sources.

- L Left front channel
- C Center channel
- R Right front channel
- SL Left surround channel
- S Surround channel (mono)
- SR Right surround channel
- SBL Left surround back channel
- SB Surround back channel (mono)
- SBR Right surround back channel
- LFE Low frequency effects channel

3 Digital format indicators

Light when a signal encoded in the corresponding format is detected.

4 S.RTRV

Lights when the Sound Retriever is switched on.

5 SOUND

Lights when any of the Midnight, Loudness or tone controls feature is selected.

6 DIALOG E

Lights when the Dialog Enhancement feature is switched on.

7 PHASE CONTROL

Lights when the Phase Control is switched on.

8 OVER / ATT

OVER lights to indicate that the level of an analog source is too high. **ATT** lights when you use the attenuator (**ANALOG ATT**) to reduce it.

9 V.SB

Lights during Virtual surround back processing.

10 TUNER indicators

TUNED – Lights when a broadcast is being received.

STEREO – Lights when a stereo FM broadcast is being received in auto stereo mode.

MONO – Lights when the mono mode is set using the **MPX** button.

11 EON / RDS indicators

EON – Lights when the EON mode is set (flashes during EON reception). The **o** indicator lights when the current station carries the EON service.

RDS – Lights when an RDS broadcast is received.

12 Master volume level

13 SR+

Lights when the SR+ mode is switched on.

14 STREAM DIRECT

Lights when the Stream Direct mode is selected.

15 Speaker indicators

Indicate the current speaker system, **A** and/or **B**.

16 Listening mode indicators

THX – Lights when a Home THX mode is selected.

ADV.SURROUND – Lights when an Advanced Surround mode has been selected.

STEREO – Lights when the stereo mode is selected.

STANDARD – Lights when a Standard Surround mode is switched on.

17 SLEEP

Lights when the receiver is in sleep mode.

18 Matrix decoding format indicators

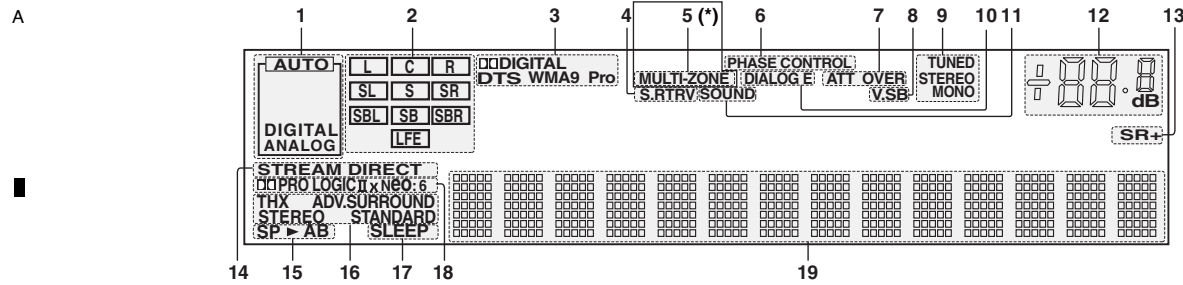
PRO LOGIC IIx – This lights to indicate **PRO** Logic II / **PRO** Logic IIx decoding.

Neo:6 – When one of the Neo:6 modes of the receiver is on, this lights to indicate Neo:6 processing.

19 Character display

Displays various system information.

● Display Panel (VSX-90TXV/VSX-1017TXV-K)



1 SIGNAL indicators

Light to indicate the currently selected input signal.
AUTO lights when the receiver is set to select the input signal automatically.

2 Program format indicators

These change according to which channels are active in digital sources.

- L Left front channel
- C Center channel
- R Right front channel
- SL Left surround channel
- S Surround channel (mono)
- SR Right surround channel
- SBL Left surround back channel
- SB Surround back channel (mono)
- SBR Right surround back channel
- LFE Low frequency effects channel

3 Digital format indicators

Light when a signal encoded in the corresponding format is detected.

4 S.RTRV

Lights when the Sound Retriever is switched on.

(*) 5 MULTI-ZONE

Lights when the MULTI-ZONE feature is active.

6 PHASE CONTROL

Lights when the Phase Control is switched on.

7 OVER / ATT

OVER lights to indicate that the level of an analog source is too high. **ATT** lights when you use the attenuator (**ANALOG ATT**) to reduce it.

8 V.SB

Lights during Virtual surround back processing.

9 TUNER indicators

- TUNED** – Lights when a broadcast is being received.
- STEREO** – Lights when a stereo FM broadcast is being received in auto stereo mode.
- MONO** – Lights when the mono mode is set using the **MPX** button.

10 DIALOG E

Lights when the Dialog Enhancement feature is switched on.

11 SOUND

Lights when any of the Midnight, Loudness or tone controls feature is selected.

12 Master volume level

13 SR+

Lights when the SR+ mode is switched on.

14 STREAM DIRECT

Lights when the Stream Direct mode is selected.

15 Speaker indicators

Indicate the current speaker system, **A** and/or **B**.

16 Listening mode indicators

- THX** – Lights when a Home THX mode is selected.
- ADV.SURROUND** – Lights when an Advanced Surround mode has been selected.
- STEREO** – Lights when the stereo mode is selected.
- STANDARD** – Lights when a Standard Surround mode is switched on.

17 SLEEP

Lights when the receiver is in sleep mode.

18 Matrix decoding format indicators

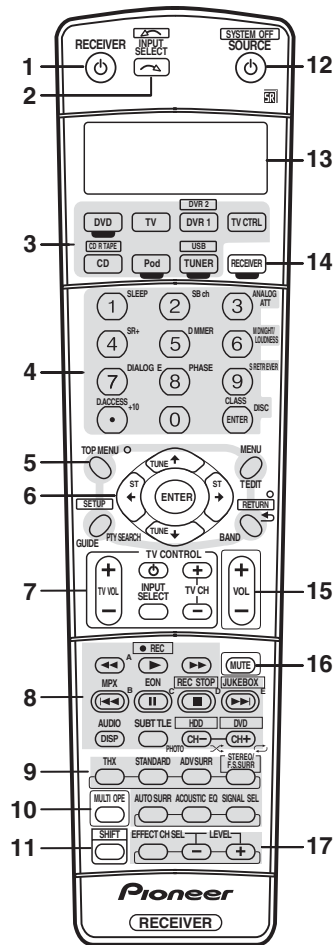
- PRO LOGIC IIx** – This lights to indicate **PRO** Logic II / **PRO** Logic IIx decoding.
- Neo:6** – When one of the Neo:6 modes of the receiver is on, this lights to indicate Neo:6 processing.

19 Character display

Displays various system information.

(*) VSX-90TXV Only

● Remote Control (VSX-1017AV-K/VSX-1017AV-S)




The remote has been conveniently color-coded according to component control using the following system (press the corresponding input source button to access):

- **Green** – Receiver controls (see below)
- **Red** – DVD controls
- **Blue** – Tuner controls
- **Yellow** – iPod controls
- **White** – Other controls

1 RECEPTOR

This switches between standby and on for this receiver.

2 INPUT SELECT

Use to select the input source (use **SHIFT** for **INPUT SELECT** ).

3 Input source buttons

Press to select control of other components.

4 Number buttons and other receiver/component controls

Use the number buttons to directly select a radio frequency or the tracks on a CD, DVD, etc.

DISC (ENTER) can be used to enter commands for TV or DTV, and also to select a disc in a multi-CD player.

Press **RECEPTOR** first to access:

SLEEP – Use to put the receiver in sleep mode and select the amount of time before sleep.

SB ch – Use to select the surround/virtual back channel mode.

ANALOG ATT – Attenuates (lowers) the level of an analog input signal to prevent distortion.

SR+ – Switches the SR+ mode on/off.

DIMMER – Dims or brightens the display.

MIDNIGHT/LOUDNESS – Use Midnight when listening to movie soundtracks at low volume. Use Loudness to boost the bass and treble at low volume.

DIALOG E – Use to make dialog stand out when watching TV or a movie.

PHASE – Press to switch on/off Phase Control.

S.RETRIEVER – Press to restore CD quality sound to compressed audio sources.

Press **TUNER** first to access:

D.ACCESS – After pressing, you can access a radio station directly using the number buttons.

CLASS – Switches between the three banks (classes) of radio station presets.

5 Tuner/component control buttons/SETUP





These button controls can be accessed after you have selected the corresponding input source button (**DVD**, **DVR1**, **TV**, etc.). The **BAND**, **T.EDIT** and **PTY SEARCH** tuner controls are explained. Press **RECEPTOR** first to access the following controls:

SETUP – Use to access the System Setup menu.

RETURN – Press to confirm and exit the current menu screen (also use to return to the previous menu with DVDs or to select closed captioning with DTV).

6 (TUNE/ST) /ENTER

Use the arrow buttons when setting up your surround sound system. Also used to control DVD menus/options and for deck 1 of a double cassette deck player.

Use the **TUNE**  /  buttons to find radio frequencies and use **ST**  /  to find preset stations.

7 TV CONTROL buttons

These buttons are dedicated to control the TV assigned to the **TV CTRL** button. Thus if you only have one TV to hook up to this system assign it to the **TV CTRL** input source button. If you have two TVs, assign the main TV to the **TV CTRL** button (see page 57 for more on this).



TV  – Use to turn on/off the power of the TV.

TV VOL +/- – Use to adjust the volume on your TV.

INPUT SELECT – Use to select the TV input signal.

TV CH +/- – Use to select channels.

8 Component control buttons

The main buttons (, , etc.) are used to control a component after you have selected it using the input source buttons.

The controls above these buttons can be accessed after you have selected the corresponding input source button (for example **DVD**, **DVR1** or **TV**). The following controls can be accessed when listening to the built-in tuner:


MPX – Switches between stereo and mono reception of FM broadcasts. If the signal is weak then switching to mono will improve the sound quality.

DISP – Switches between named station presets and radio frequencies. Also used to display RDS information.

EON – Use to search for programs that are broadcasting traffic or news information.

9 Receiver controls

THX – Press to select a Home THX listening mode.

STANDARD – Press for Standard decoding and to switch between the various  Pro Logic IIx and Neo:6 options.

ADV.SURR – Use to switch between the various surround modes.

STEREO/F.S.SURR – Switches between the stereo playback mode and the Front Stage Surround Advance mode.

AUTO SURR – Press to select the Auto Surround mode or the Stream Direct mode.

Stream Direct playback bypasses the tone controls and any other signal processing for the most accurate reproduction of a source.


ACOUSTIC EQ – Press to select an Acoustic Calibration EQ setting.

SIGNAL SEL – Use to select an input signal.

10 MULTI OPE

Use this button to perform multi operations.

11 SHIFT

Press to access the controls outlined in white boxes (for example, **INPUT SELECT** ) , or to display the currently selected input source in the remote control LCD.

12 SOURCE

Press to turn on/off other components connected to the receiver.

13 Character display (LCD)

This display shows information when transmitting control signals.

The following commands are shown when you're setting the remote to control other components:

SETUP – Indicates the setup mode, from which you choose the options below.

PRESET – See Selecting preset codes directly.

MULTI OP – See Multi Operation and System Off.

SYS OFF – See Multi Operation and System Off.

DIRECT F – See Direct function.

RESET – See Resetting the remote control presets.

READ ID – See Confirming preset codes.

14 RECEIVER

Switches the remote to control the receiver (used to select the green commands above the number buttons (**ANALOG ATT**, etc.)). Also use this button to set up surround sound.

15 VOL +/-

Use to set the listening volume.

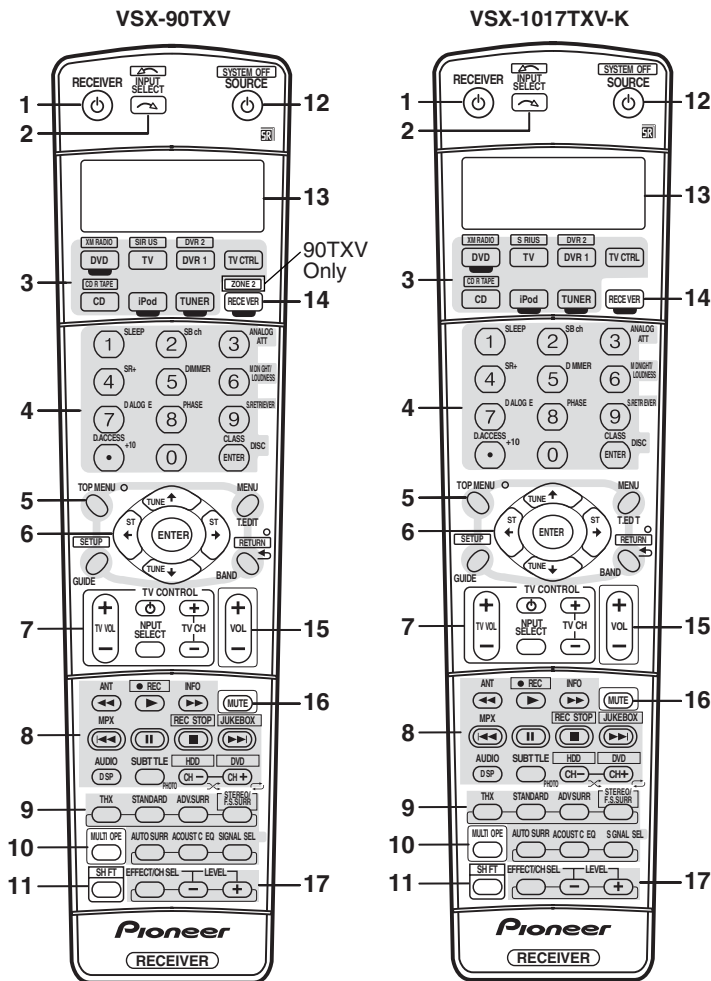
16 MUTE

Mutes the sound or restores the sound if it has been muted (adjusting the volume also restores the sound).

17 EFFECT/CH SEL and LEVEL +/-

Press repeatedly to select a channel, then use +/- to adjust the level. Also adjusts the level of the Advanced Surround effects, the Dolby Pro Logic IIx Music and Neo:6 Music parameters and the sound delay setting. You can then use the +/- buttons to make these adjustments.

Remote Control (VSX-90TXV/VSX-1017TXV-K)




The remote has been conveniently color-coded according to component control using the following system (press the corresponding input source button to access):

- **Green** – Receiver controls (see below)
- **Red** – DVD controls
- **Blue** – Tuner, XM and SIRIUS Radio controls
- **Yellow** – iPod controls
- **White** – Other controls

1 RECEIVER

This switches between standby and on for this receiver.

2 INPUT SELECT

Use to select the input source (use **SHIFT** for **INPUT SELECT** ).

3 Input source buttons

Press to select control of other components.

4 Number buttons and other receiver/component controls

Use the number buttons to directly select a radio frequency or the tracks on a CD, DVD, etc.

DISC (ENTER) can be used to enter commands for TV or DTV, and also to select a disc in a multi-CD player.

Press **RECEIVER** first to access:

SLEEP – Use to put the receiver in sleep mode and select the amount of time before sleep.

SB ch – Use to select the surround/virtual back channel mode.

ANALOG ATT – Attenuates (lowers) the level of an analog input signal to prevent distortion.

SR+ – Switches the SR+ mode on/off.

DIMMER – Dims or brightens the display.

MIDNIGHT/LOUDNESS – Use Midnight when listening to movie soundtracks at low volume. Use Loudness to boost the bass and treble at low volume.

DIALOG E – Use to make dialog stand out when watching TV or a movie.

PHASE – Press to switch on/off Phase Control.

S.RETRIEVER – Press to restore CD quality sound to compressed audio sources.

Press **TUNER** first to access:

D.ACCESS – After pressing, you can access a radio station directly using the number buttons.

CLASS – Switches between the three banks (classes) of radio station presets.





5 Tuner/component control buttons/SETUP

These button controls can be accessed after you have selected the corresponding input source button (**DVD**, **DVR1**, **TV**, etc.). The **BAND** and **T.EDIT** tuner controls are explained. Press **RECEIVER** first to access the following controls:

SETUP – Use to access the System Setup menu.


RETURN – Press to confirm and exit the current menu screen (also use to return to the previous menu with DVDs or to select closed captioning with DTV).

6 (TUNE/ST)/ENTER

Use the arrow buttons when setting up your surround sound system. Also used to control DVD menus/options and for deck 1 of a double cassette deck player. Use the **TUNE** / buttons to find radio frequencies and use **ST** / to find preset stations.

7 TV CONTROL buttons

These buttons are dedicated to control the TV assigned to the **TV CTRL** button. Thus if you only have one TV to hook up to this system assign it to the **TV CTRL** input source button. If you have two TVs, assign the main TV to the **TV CTRL** button.


TV  – Use to turn on/off the power of the TV.

TV VOL +/- – Use to adjust the volume on your TV.

INPUT SELECT – Use to select the TV input signal.

TV CH +/- – Use to select channels.

8 Component control buttons

The main buttons (, etc.) are used to control a component after you have selected it using the input source buttons.

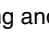
The controls above these buttons can be accessed after you have selected the corresponding input source button (for example **DVD**, **DVR1** or **TV**). The following controls can be accessed when listening to the built-in tuner:

MPX – Switches between stereo and mono reception of FM broadcasts. If the signal is weak then switching to mono will improve the sound quality.

DISP – Switches between named station presets and radio frequencies.

9 Receiver controls

THX – Press to select a Home THX listening mode.

STANDARD – Press for Standard decoding and to switch between the various  Pro Logic IIx and Neo:6 options.

ADV.SURR – Use to switch between the various surround modes.

STEREO/F.S.SURR – Switches between the stereo playback mode and the Front Stage Surround Advance mode.

AUTO SURR – Press to select the Auto Surround mode or the Stream Direct mode.

Stream Direct playback bypasses the tone controls and any other signal processing for the most accurate reproduction of a source.

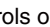
ACOUSTIC EQ – Press to select an Acoustic Calibration EQ setting.

SIGNAL SEL – Use to select an input signal.

10 MULTI OPE

Use this button to perform multi operations.

11 SHIFT

Press to access the controls outlined in white boxes (for example, **INPUT SELECT** ) , or to display the currently selected input source in the remote control LCD.

12 SOURCE

Press to turn on/off other components connected to the receiver.

13 Character display (LCD)

This display shows information when transmitting control signals.

The following commands are shown when you're setting the remote to control other components.

SETUP – Indicates the setup mode, from which you choose the options below.

PRESET – See Selecting preset codes directly.

MULTI OP – See Multi Operation and System Off.

SYS OFF – See Multi Operation and System Off.

DIRECT F – See Direct function.

RESET – See Resetting the remote control presets.

READ ID – See Confirming preset codes.

14 RECEIVER

Switches the remote to control the receiver (used to select the green commands above the number buttons (**ANALOG ATT**, etc.)). Also use this button to set up surround sound.

 With **SHIFT**, this selects the MULTI-ZONE control. 90TXV Only

15 VOL +/-

Use to set the listening volume.

16 MUTE

Mutes the sound or restores the sound if it has been muted (adjusting the volume also restores the sound).

17 EFFECT/CH SEL and LEVEL +/-

Press repeatedly to select a channel, then use +/- to adjust the level. Also adjusts the level of the Advanced Surround effects, the Dolby Pro Logic IIx Music and Neo:6 Music parameters and the sound delay setting. You can then use the +/- buttons to make these adjustments.

3. BASIC ITEMS FOR SERVICE

3.1 CHECK POINTS AFTER SERVICING

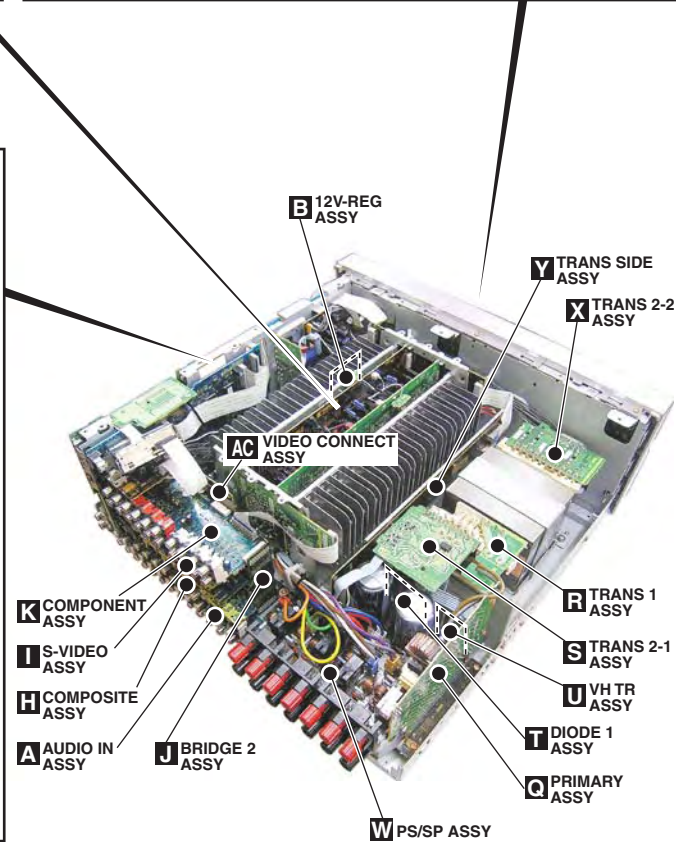
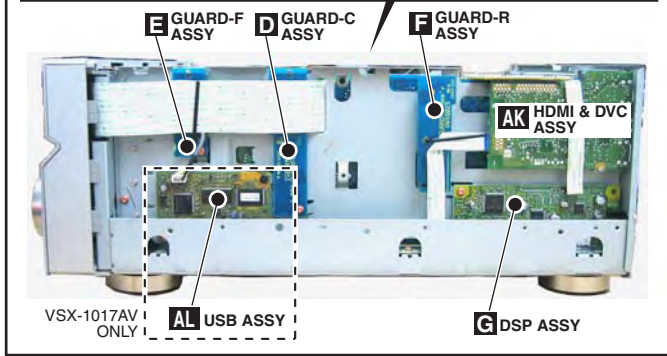
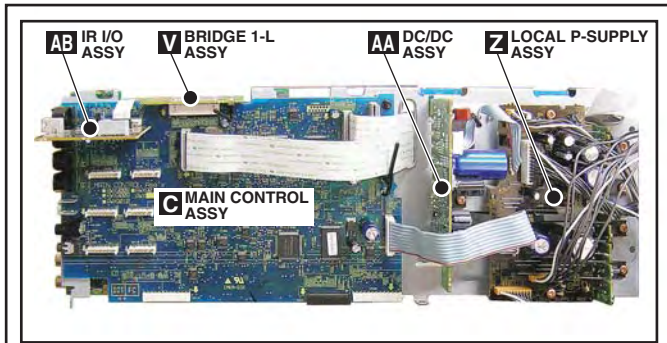
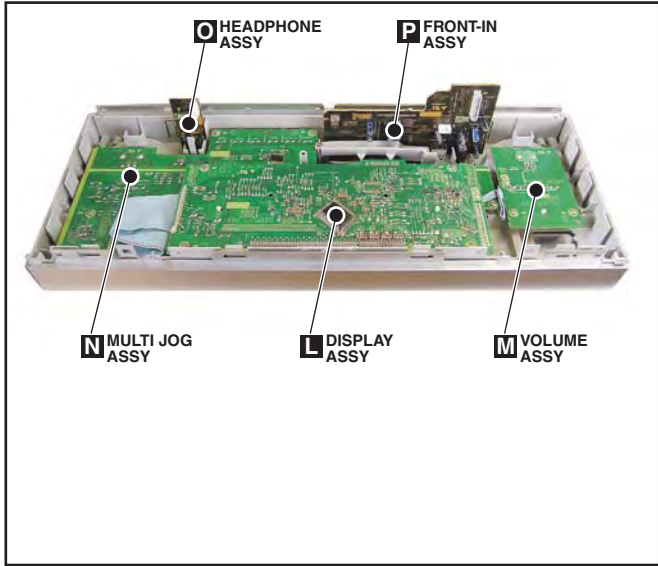
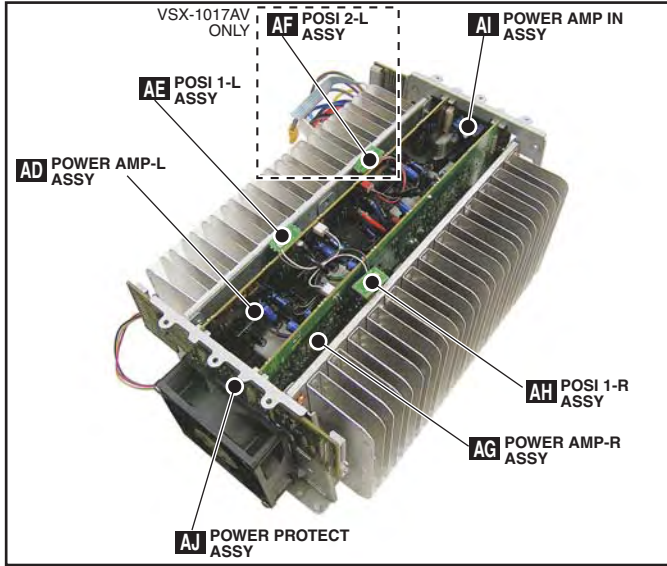
To keep the product quality after servicing, confirm recommended check points shown below.

No.	Procedure	Check points
1	Confirm whether the customer complain has been solved. If the customer complain occurs with the particular source, such as Dolby Digital, DTS, AAC, DVD-A and HDMI, input it for the operation check.	The customer complain must not be reappeared. Video, Audio and operations must be normal.
2	Check the analog audio playback. (Make the analog connections with a DVD player.)	Each channel audio and operations must be normal.
3	Check the digital audio playback. (Make the digital connections with a DVD player.)	Each channel audio and operations must be normal.
4	Check surround playback. (Select Surround mode and check the multichannel operations via the DSP circuit.)	Each channel audio and operations must be normal.
5	Check the video outputs. (Connect with a DVD player.)	Video and operations must be normal.
6	Check the sound from headphone output.	Sound must be normal, without noise.
7	Check the appearance of the product.	No scratches or dirt on its appearance after receiving it for service.

See the table below for the items to be checked regarding video and audio:

Items to be checked regarding video	Item to be checked regarding audio
Block noise	Distortion
Horizontal noise	Noise
Dot noise	Volume too low
Disturbed image (video jumpiness)	Volume too high
Too dark	Volume fluctuating
Too bright	Sound interrupted
Mottled color	

3.2 PCB LOCATIONS



NOTES: ● Parts marked by "NSP" are generally unavailable because they are not in our Master Spare Parts List.
 ● The Δ mark found on some component parts indicates the importance of the safety factor of the part.
 Therefore, when replacing, be sure to use parts of identical designation.

◆ LIST OF ASSEMBLIES

Mark	Symbol and Description	VSX-1017AV-K /HYXJ5	VSX-1017AV-S /HYXJ5	VSX-1017TXV-K /KUXJ	VSX-90TXV /KUXJ/CA
NSP	1..MAIN ASSY	AWK7980	AWK7980	AWK7978	AWK7979
	2..MAIN CONTROL ASSY	AWX8829	AWX8829	AWX8827	AWX8828
	2..AUDIO IN ASSY	AWX8834	AWX8834	AWX8832	AWX8833
	2..12V-REG ASSY	AWX8824	AWX8824	AWX8824	AWX8824
	2..GUARD-C ASSY	AWX8839	AWX8839	AWX8839	AWX8839
	2..GUARD-F ASSY	AWX8838	AWX8838	AWX8838	AWX8838
	2..GUARD-R ASSY	AWX8840	AWX8840	AWX8840	AWX8840
	1..DSP ASSY	AWX8806	AWX8806	AWX8805	AWX8805
NSP	1..VIDEO ASSY	AWK7988	AWK7988	AWK7986	AWK7987
	2..COMPOSITE ASSY	AWX8854	AWX8854	AWX8852	AWX8853
	2..S-VIDEO ASSY	AWX8858	AWX8858	AWX8856	AWX8857
	2..COMPONENT ASSY	AWX8862	AWX8862	AWX8860	AWX8860
	2..BRIDGE 2 ASSY	AWX8850	AWX8850	AWX8850	AWX8850
NSP	1..COMPLEX ASSY	AWK8021	AWK8020	AWK8018	AWK8019
	2..PRIMARY ASSY	AWX9086	AWX9086	AWX9085	AWX9085
	2..TRANS 1 ASSY	AWX9038	AWX9038	AWX9038	AWX9038
	2..DISPLAY ASSY	AWX8878	AWX8878	AWX8876	AWX8877
	2..VOLUME ASSY	AWX9044	AWX9111	AWX9044	AWX9044
	2..MULTI JOG ASSY	AWX8881	AWX8882	AWX8881	AWX8881
	2..FRONT-IN ASSY	AWX8955	AWX8955	AWX8954	AWX8954
	2..HEADPHONE ASSY	AWX9049	AWX9049	AWX9049	AWX9049
NSP	1..SECONDARY ASSY	AWK7997	AWK7997	AWK7995	AWK7996
	2..PS/SP ASSY	AWX9108	AWX9108	AWX9054	AWX9054
	2..TRANS SIDE ASSY	AWX9056	AWX9056	AWX9056	AWX9056
	2..TRANS 2-1 ASSY	AWX9059	AWX9059	AWX9058	AWX9058
	2..DIODE 1 ASSY	AWX9060	AWX9060	AWX9060	AWX9060
	2..VH TR ASSY	AWX9061	AWX9061	AWX9061	AWX9061
	2..TRANS 2-2 ASSY	AWX9062	AWX9062	AWX9062	AWX9062
	2..LOCAL P-SUPPLY ASSY	AWX9064	AWX9064	AWX9063	AWX9063
	2..IR I/O ASSY	AWX9067	AWX9067	AWX9101	AWX9066
	2..VIDEO CONNECT ASSY	AWX9069	AWX9069	AWX9069	AWX9069
	2..DC/DC ASSY	AWX9015	AWX9015	AWX9015	AWX9015
	NSP	1..POWER AMP ASSY	AWK7922	AWK7922	AWK7921
2..POWER AMP-L ASSY		AWX9072	AWX9072	AWX9071	AWX9071
2..POWER AMP-R ASSY		AWX9073	AWX9073	AWX9106	AWX9106
2..POWER AMP IN ASSY		AWX9075	AWX9075	AWX9075	AWX9075
2..POWER PROTECT ASSY		AWX9077	AWX9077	AWX9076	AWX9076
2..BRIDGE 1-L ASSY		AWX9079	AWX9079	AWX9079	AWX9079
2..POSI 1-L ASSY		AWX9081	AWX9081	AWX9080	AWX9080
2..POSI 2-L ASSY		AWX9082	AWX9082	Not used	Not used
2..POSI 1-R ASSY		AWX9084	AWX9084	AWX9083	AWX9083
1..HDMI & DVC ASSY		AWQ7039	AWQ7039	AWQ7039	AWQ7039
1..USB ASSY	AWX8866	AWX8866	Not used	Not used	
1..FM/AM TUNER UNIT	AXX7248	AXX7248	AXX7250	AXX7250	

3.3 JIGS LIST

■ Jigs list

A

Name	Jig No.	Remarks
11P board to board extension jig cable	GGD1482	Diagonosis
13P board to board extension jig cable	GGD1483	Diagonosis
15P board to board extension jig cable	GGD1484	Diagonosis
21P board to board extension jig cable	GGD1485	Diagonosis

B

■ CLEANING



Before shipping out the product, be sure to clean the following positions by using the prescribed cleaning tools:

Position to be cleaned	Cleaning tools
Fans	Cleaning paper : GED-008

C

D

E

F

■

5

■

6

■

7

■

8

■

A

■

B

■

C

■

D

■

E

■

F

■

5

■

6

■

7

■

8

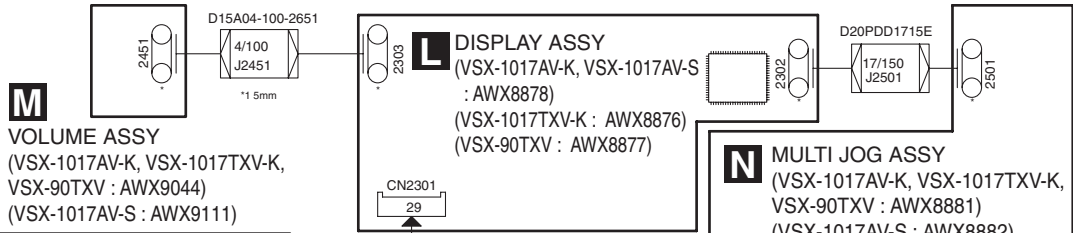
■

4. BLOCK DIAGRAM

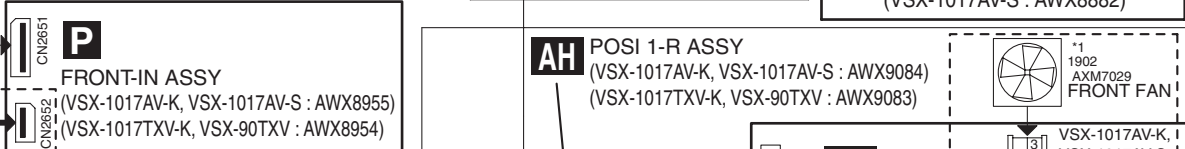
4.1 OVERALL WIRING DIAGRAM

A

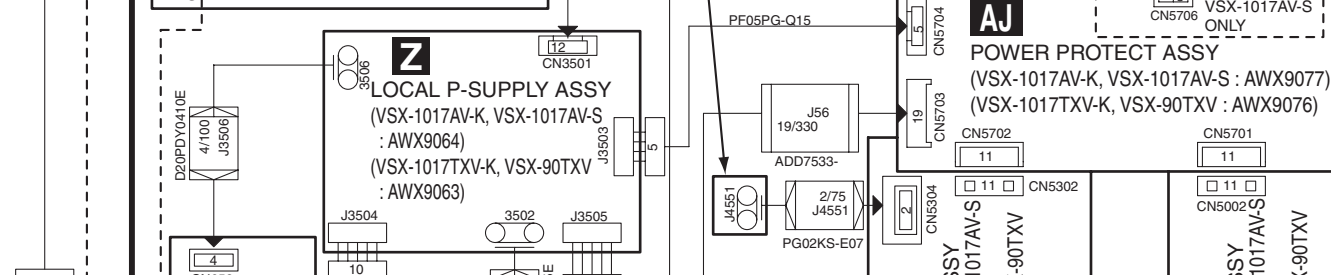
The Δ mark found on some component parts indicates the importance of the safety factor of the part. Therefore, when replacing, be sure to use parts of identical designation.



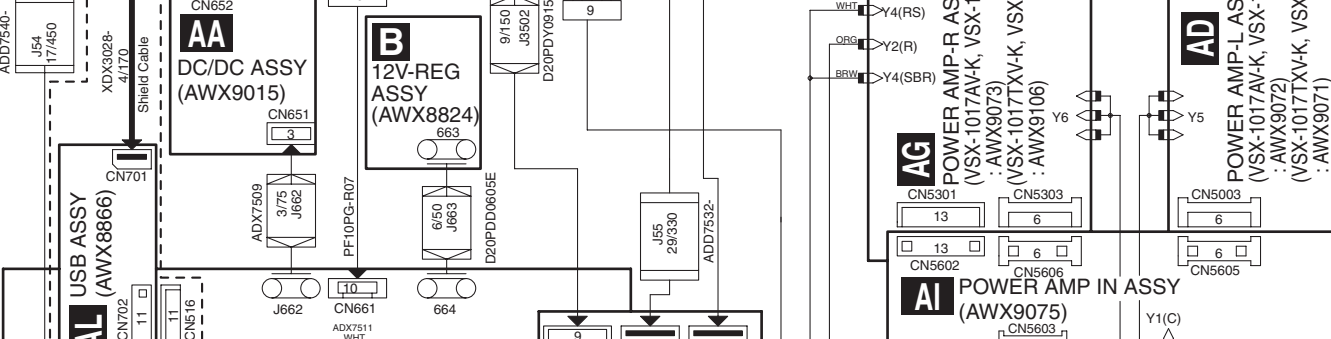
B



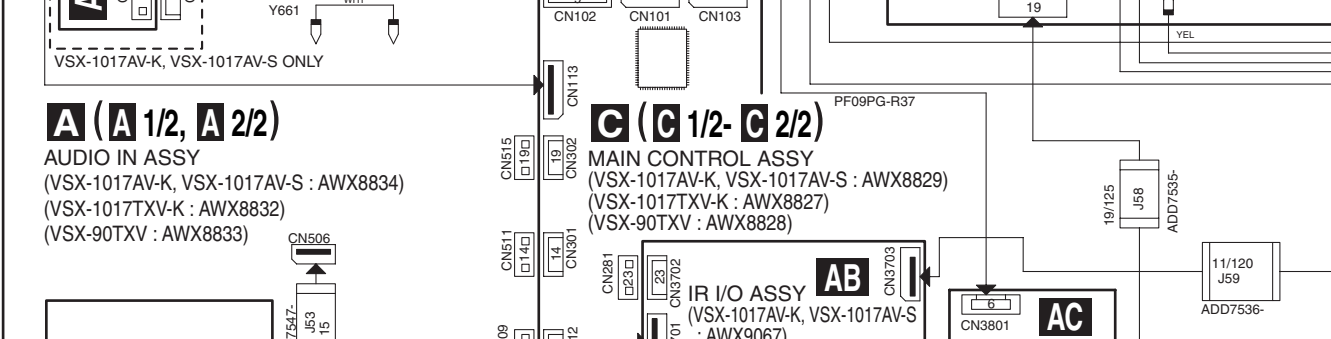
C



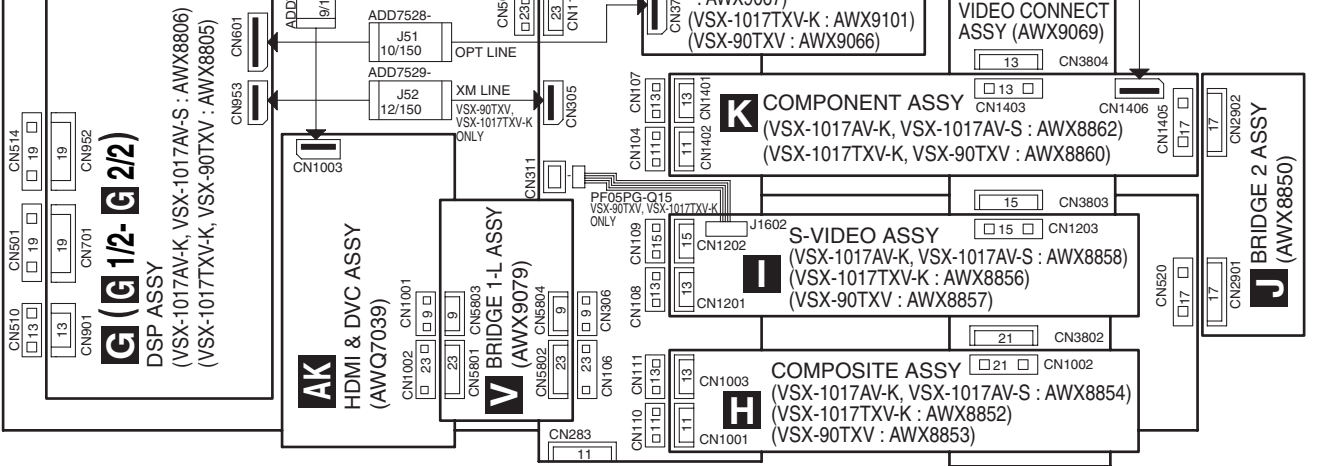
D




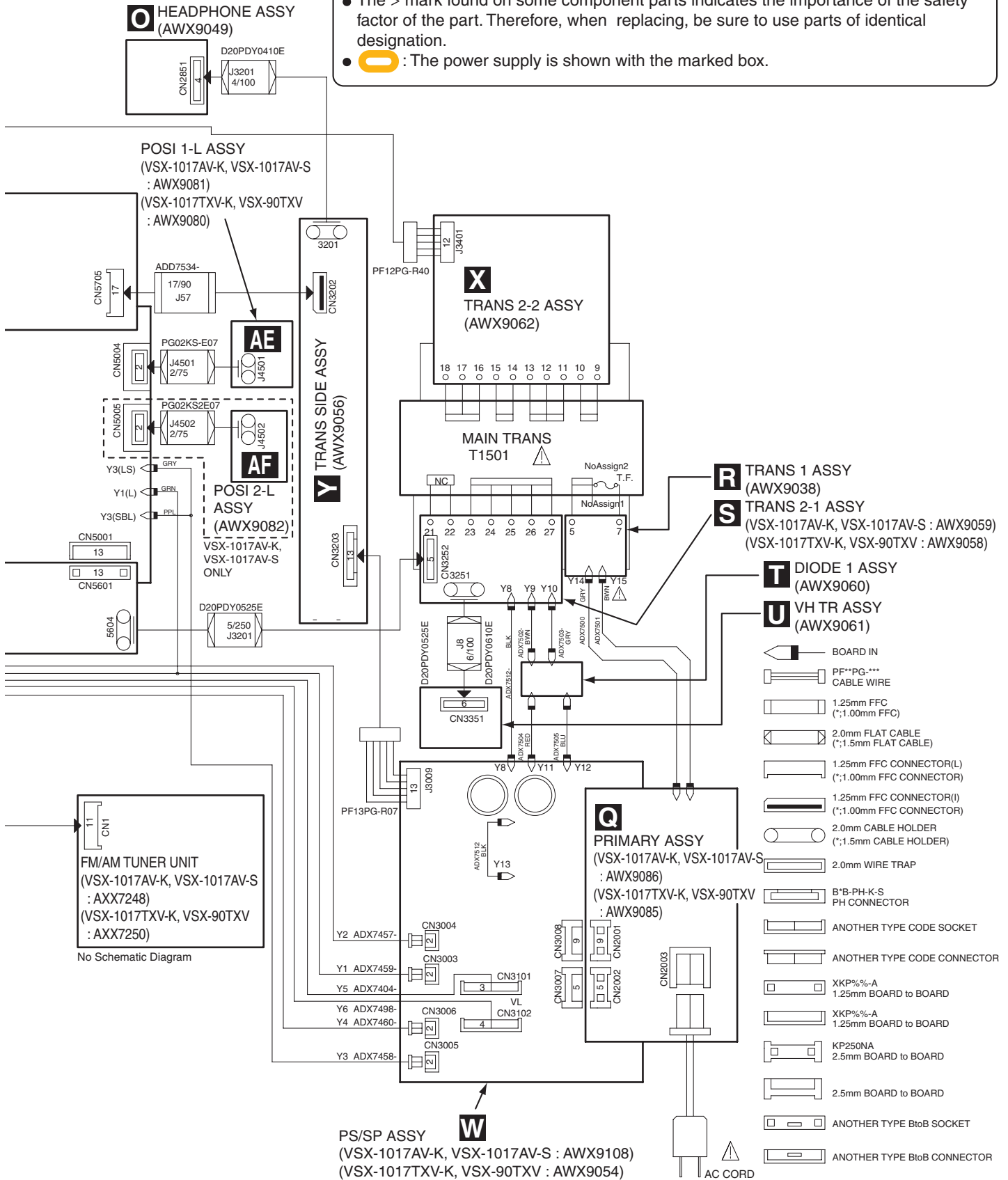
E



F



- When ordering service parts, be sure to refer to "EXPLODED VIEWS and PARTS LIST" or "PCB PARTS LIST".
- The > mark found on some component parts indicates the importance of the safety factor of the part. Therefore, when replacing, be sure to use parts of identical designation.
-  : The power supply is shown with the marked box.



4.2 BLOCK DIAGRAM for AUDIO BLOCK

VSX-1017TXV, VSX-90TXV ONLY

XM RADIO XMDT

G DSP ASSY

VSX-1017TXV, VSX-90TXV ONLY
 IC551 TC74VHC157FT
 Selector (XM/DIR)
 IC801 DSP
 DSPC56371AF180

AB IR I/O ASSY

IC601 AK4114VQ
 DIR& DIT

S VIDEO ASSY
 JA1601 SIRIUS
 VSX-90TXV, VSX-1017TXV-K ONLY
 J1602

C MAIN CONTROL ASSY

JA281 OPT IN1
 JA282 OPT IN2
 JA283 OPT IN3
 JA284 OPT OUT

MIX Amp
 IC702 BA4560RF
 LPF Amp
 IC701 BA4560RF
 IC761 BA4560RF
 IC741(2/2) BA4560RF
 IC741(1/2) BA4560RF
 IC781 BA4560RF

P FRONT IN ASSY
 JA2652 FRONT OPT IN
 JA2651 VIDEO/GAME L
 JA2701 MIC IN

AL USB ASSY
 VSX-1017AV ONLY
 IC701 TCC8600
 IC741
 CN701 CN702

JA2751 USB
 D+ D-

IC501 R2S152005FP
 8ch VOL.

PRE Amp
 IC801 UPC4570G2
 IC841 UPC4570G2
 IC821(2/2) UPC4570G2
 IC821(1/2) UPC4570G2
 IC861 UPC4570G2

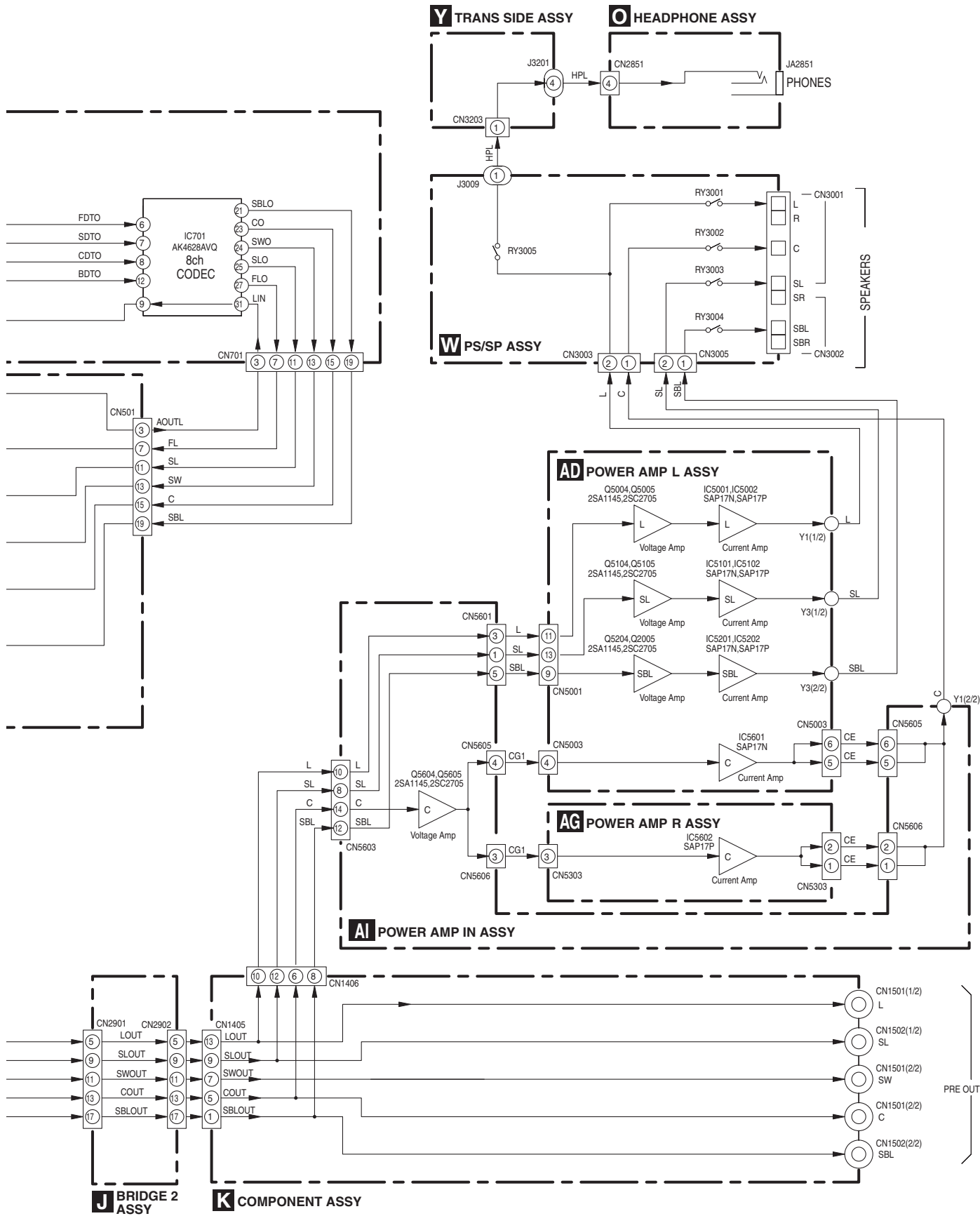
ANALOG INPUT
 CN521(1/2) CD L
 CN522(1/2) CDR/TAPE/MD L
 CN522(2/2) DVD/LD L
 CN523(1/3) TV/SAT L
 CN523(3/3) DVR/VCR1 L
 CN524(2/2) DVR/VCR2 L
 RECOUIT
 CN521(2/2) CDR/TAPE/MD L
 CN523(2/3) DVR/VCR1 L
 CN524(1/2) DVR/VCR2 L
 MULTI IN
 CN525(1/2) L
 CN526(1/2) SL
 CN525(2/2) SW
 CN526(2/2) C
 SBL

CN520
 LOUIT 13
 SLOUIT 9
 SWOUT 7
 COUIT 5
 SBLUIT 1

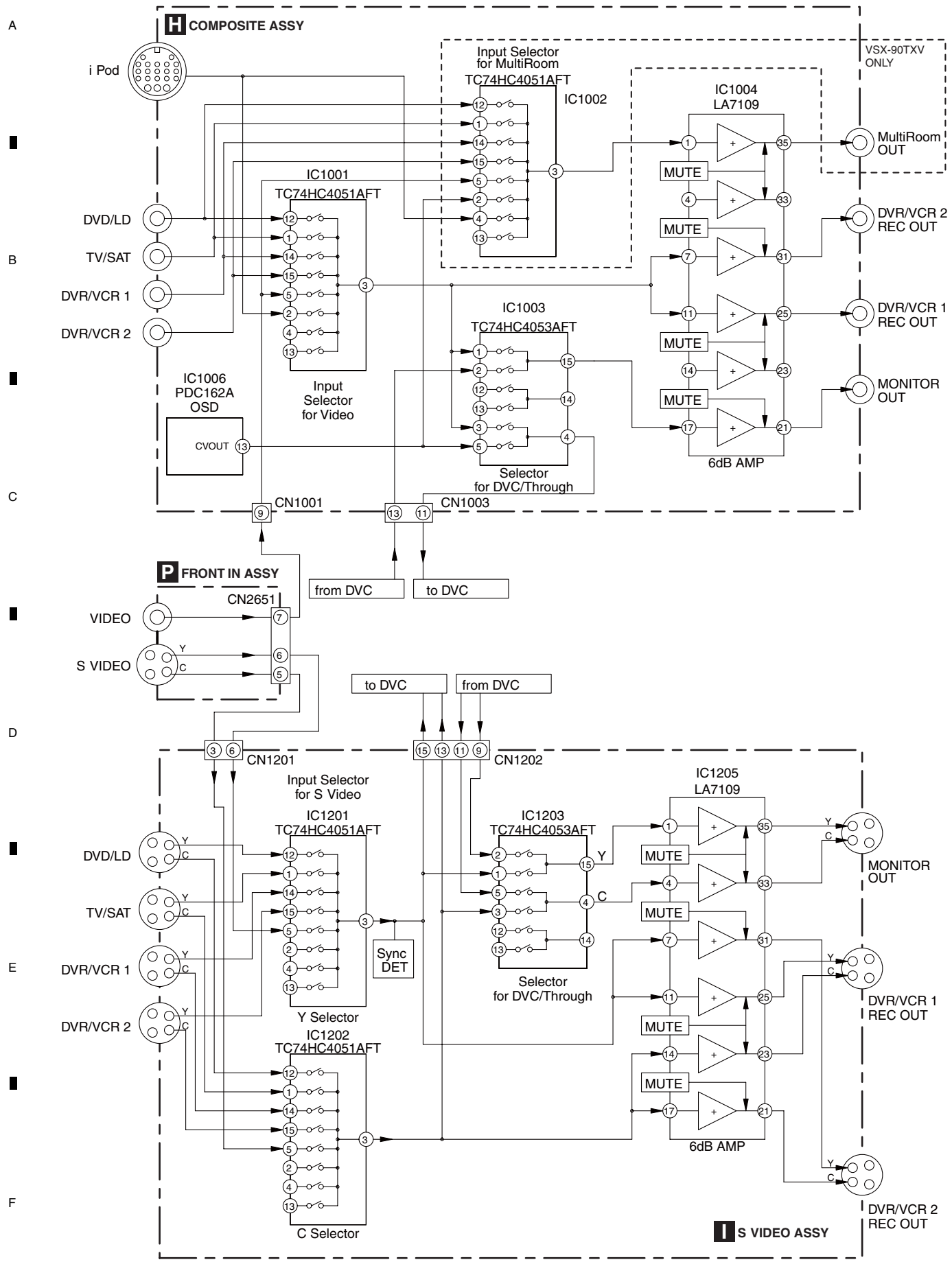
A AUDIO IN ASSY

VSX-1017AV-K

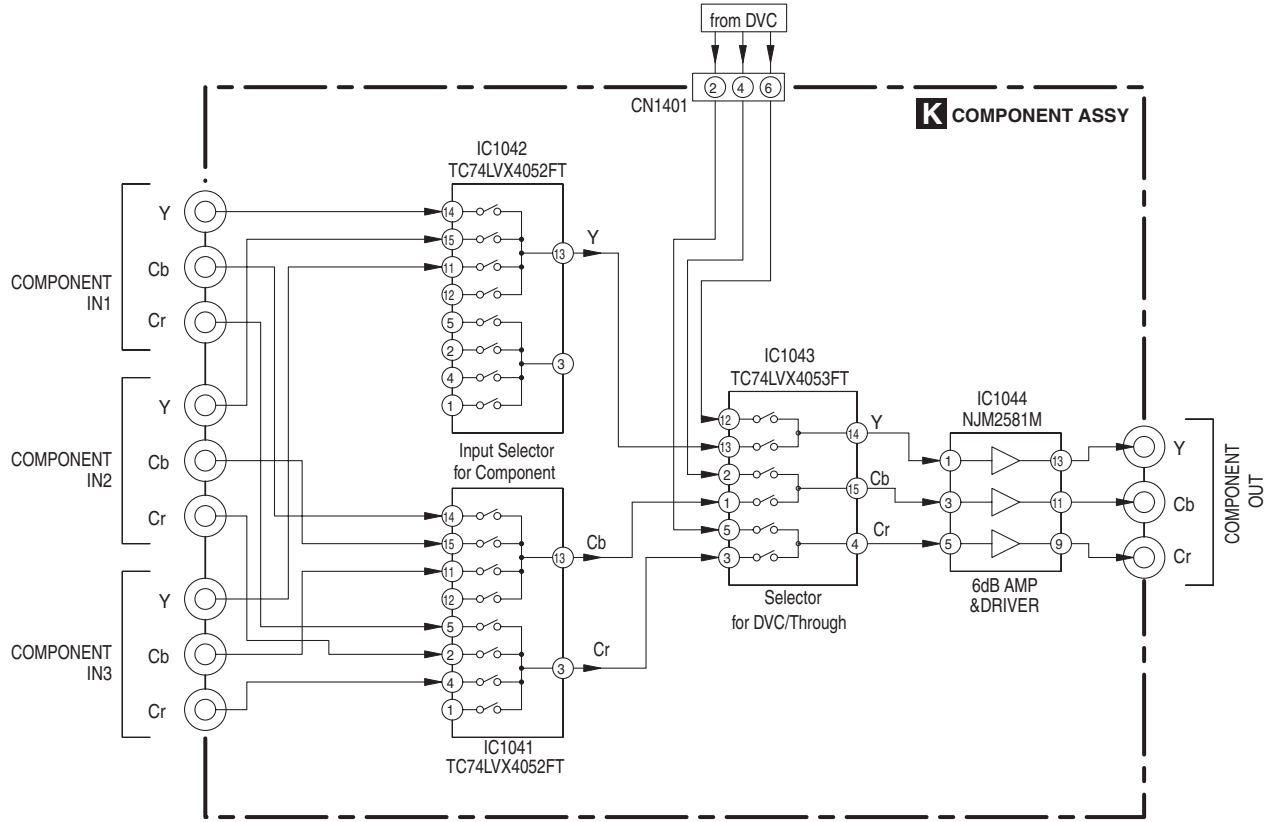
A
B
C
D
E
F



4.3 BLOCK DIAGRAM for VIDEO BLOCK



A
B
C
D
E
F



5. DIAGNOSIS

5.1 DIAGNOSIS FLOWCHART

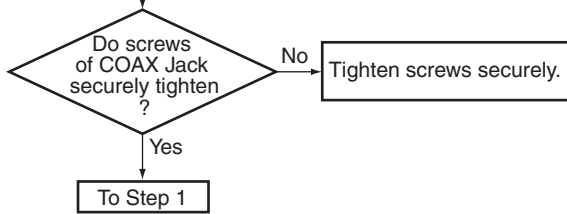
5.1.1 DSP TROUBLESHOOTING

■ Troubleshooting for all destination

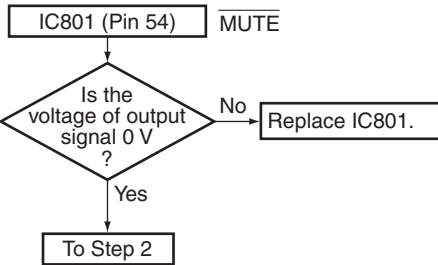
- When a sound is not out in the multi-CH signal playback mode or surround mode with the digital signal input. (SurroundBack is not output by setting.)
- Suppose CR to be poor contact and that is not damaged.
- This shows failure analysis of DSP Assy.

Step 0: Preliminary confirmation

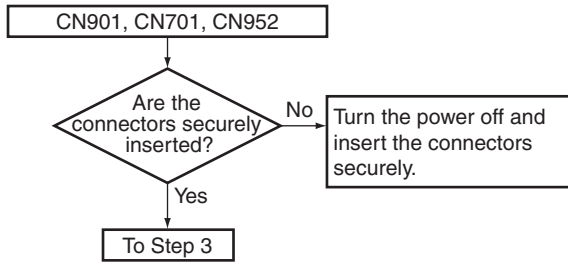
Confirm the following items before checking



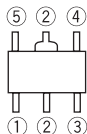
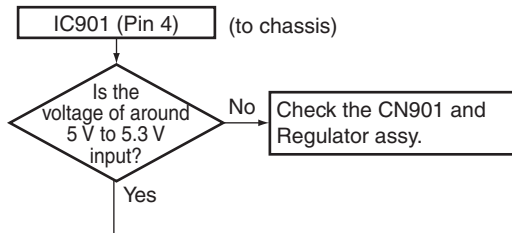
Step 1: MUTE pin



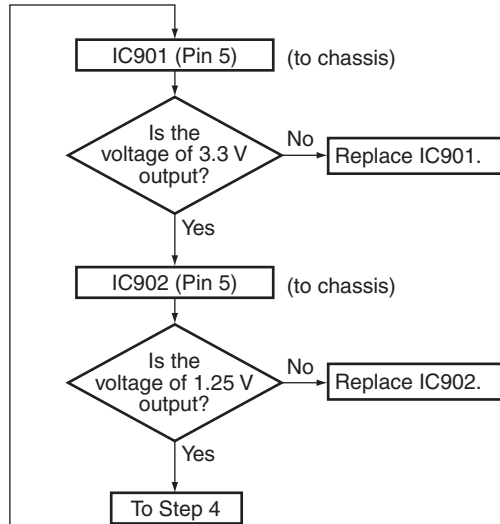
Step 2: BtoB connector



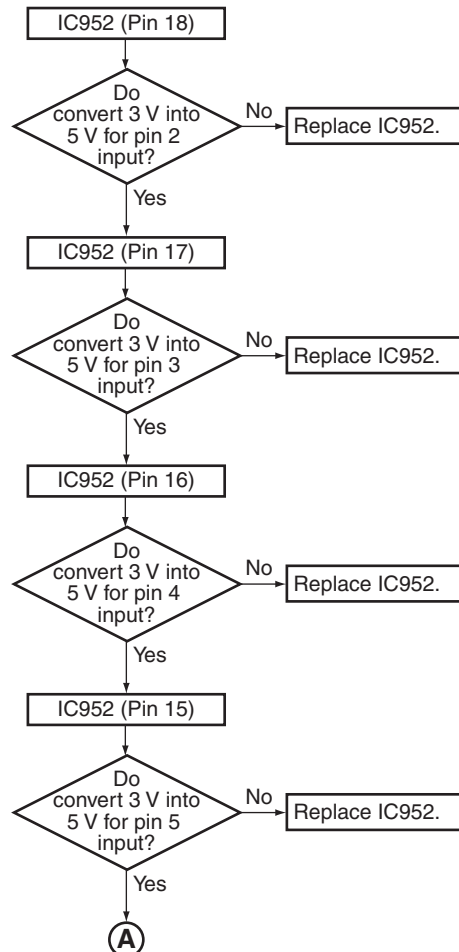
Step 3: Regulator IC

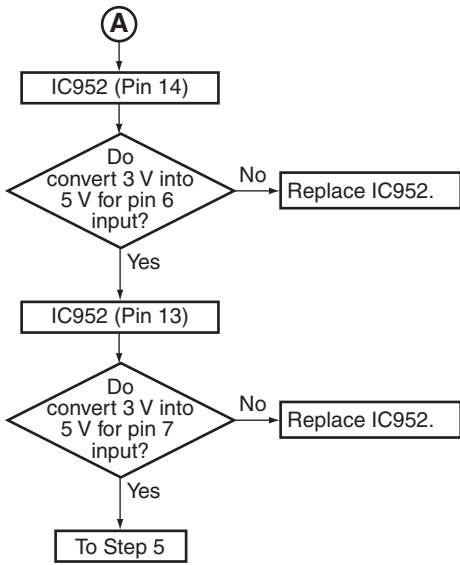


Part shape and Pin arrangement of IC901 and IC902

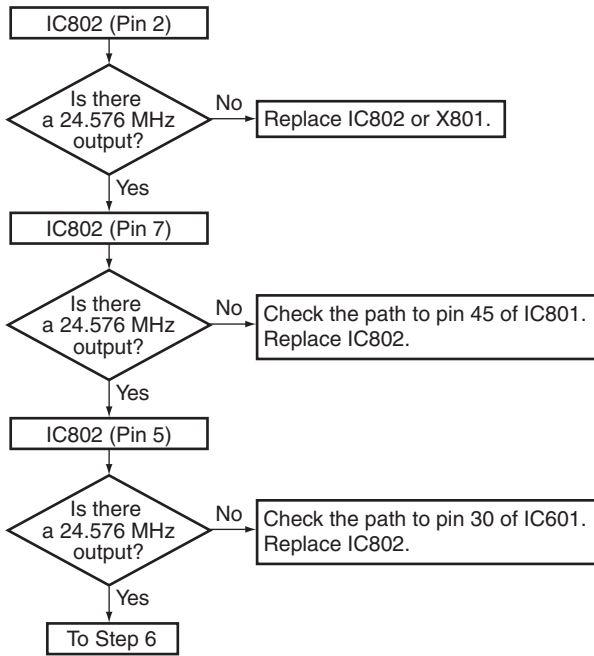


Step 4: 3 V to 5 V conversion



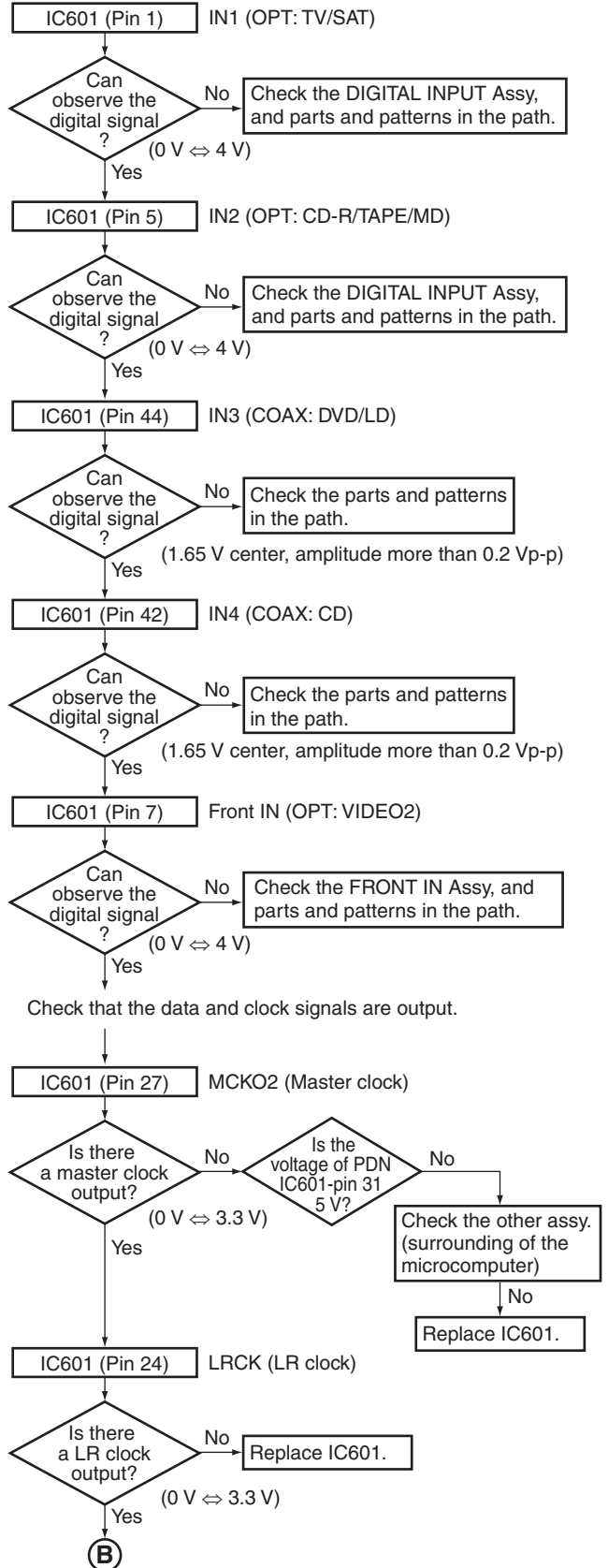


Step 5: X'tal



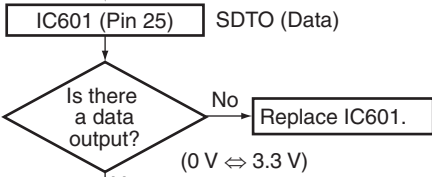
Step 6: DIR

Check that the SPDIF signal is output.
Check that changes by pulling out and inserting the digital input lines.

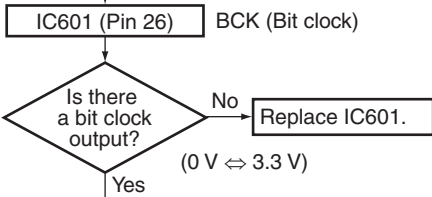


B

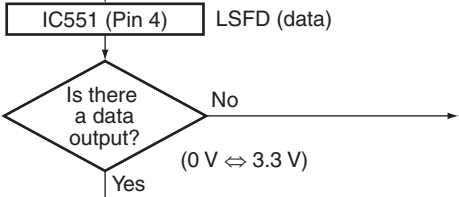
A



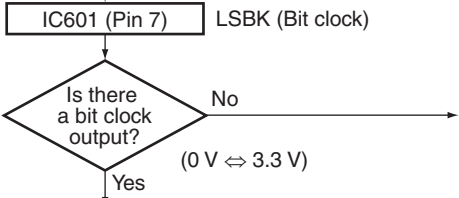
B



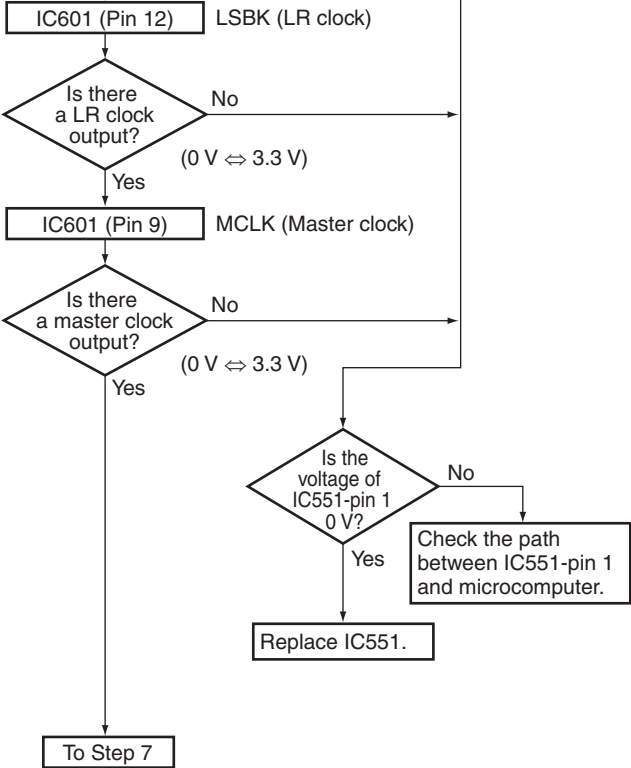
C



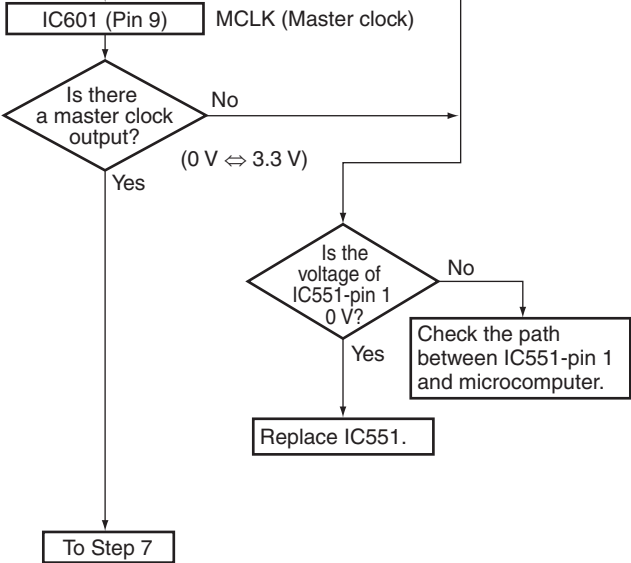
D



E

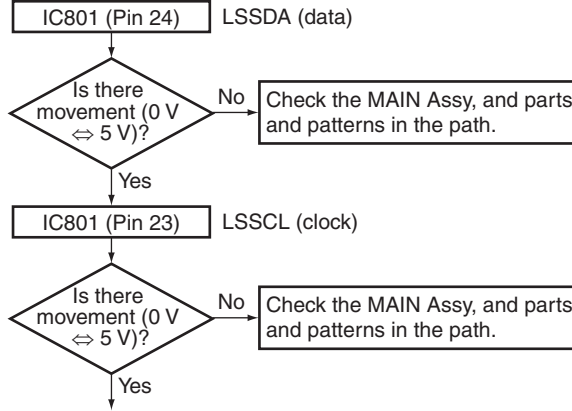


F

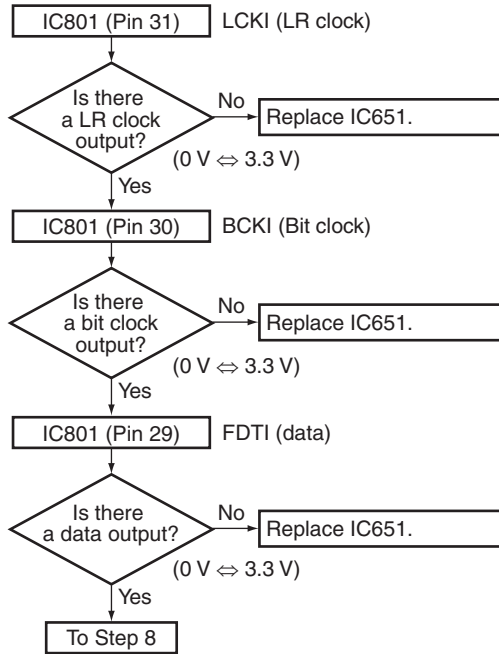


Step 7: LIPSYNC

Control waveform when the amount of delay is changed.

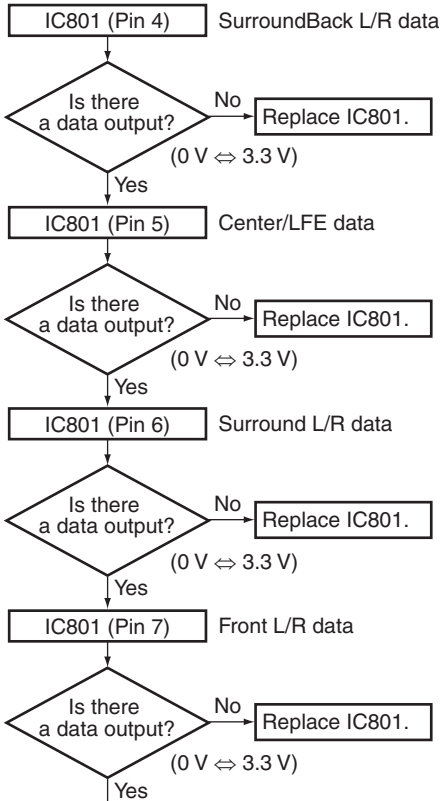


Check that the data and clock signals are output.

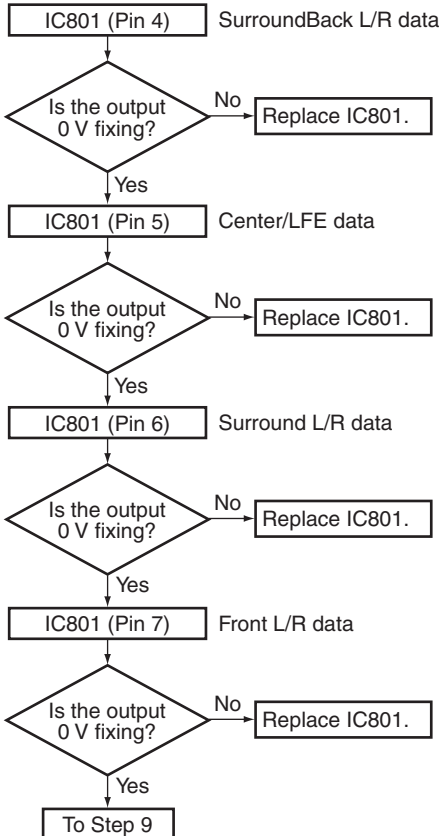


Step 8: DSP output (digital)

Digital output of each CH when inputting the digital signal with audio.

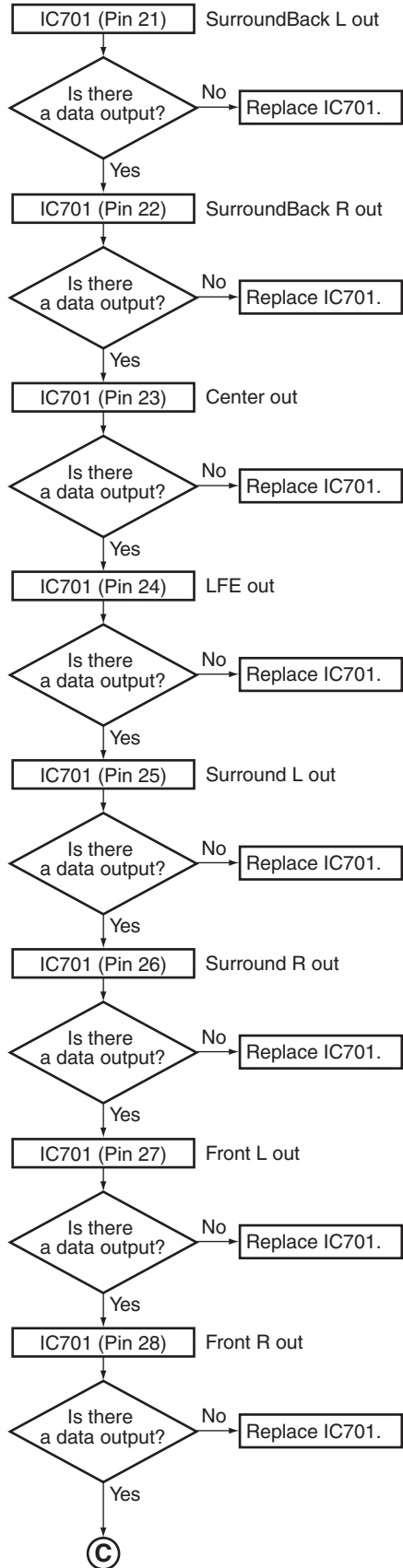


Digital output of each CH when inputting the digital signal (-∞ dB (no audio)).



Step 9: Codec output (analog)

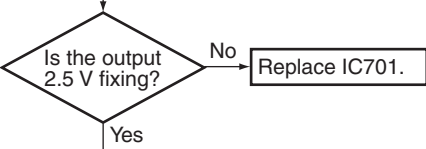
Analog output of each CH when inputting the digital signal with audio.



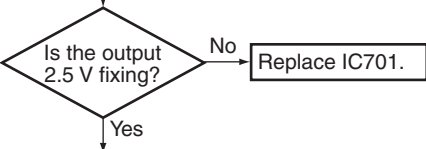
Ⓒ

Analog output of each CH when inputting the digital signal (-∞ dB (no audio)).

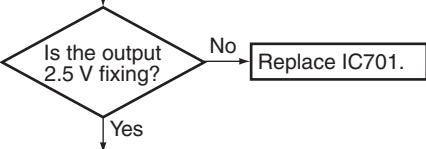
IC701 (Pin 21) SurroundBack L out



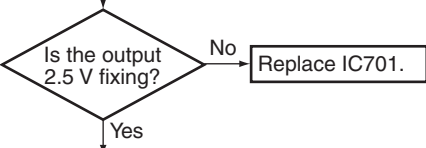
IC701 (Pin 22) SurroundBack R out



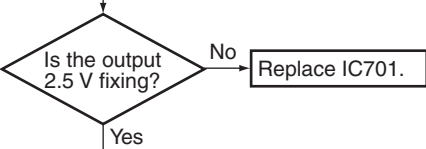
IC701 (Pin 23) Center out



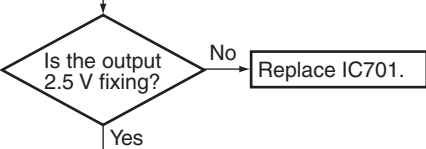
IC701 (Pin 24) LFE out



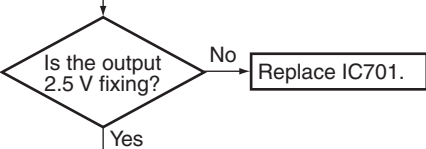
IC701 (Pin 25) Surround L out



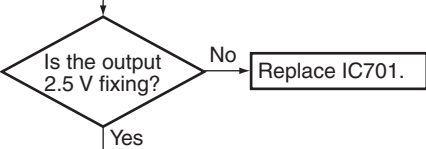
IC701 (Pin 26) Surround R out



IC701 (Pin 27) Front L out



IC701 (Pin 28) Front R out



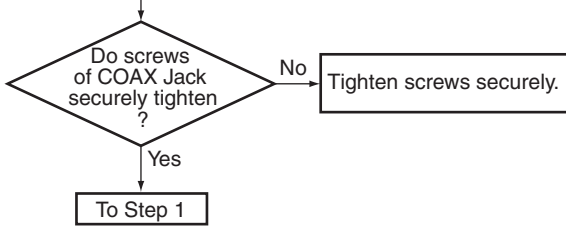
End

■ Troubleshooting in the XM mode (AWX8805 only)

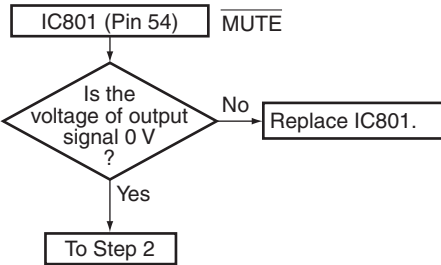
- When a sound is not output in the XM antenna input. (SurroundBack is not output by setting.)
- Suppose CR to be poor contact and that is not damaged.
- This shows failure analysis of DSP Assy.

Step 0: Preliminary confirmation

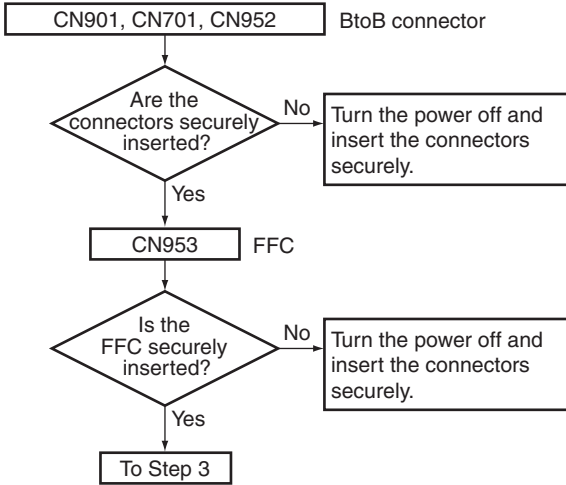
Confirm the following items before checking



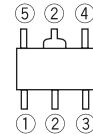
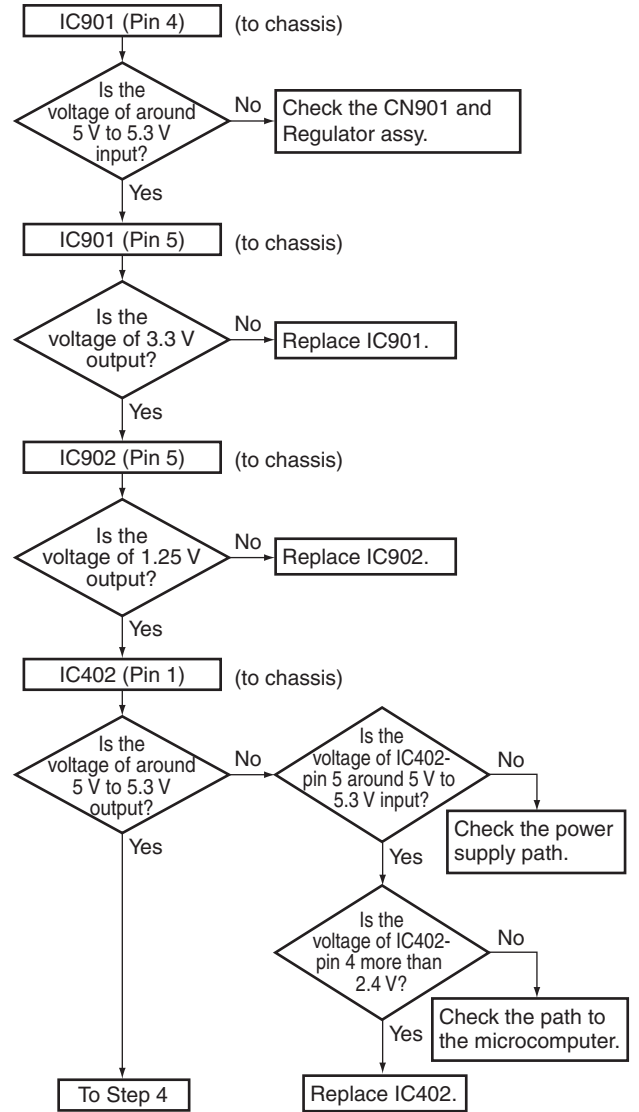
Step 1: MUTE pin



Step 2: BtoB connector and FFC



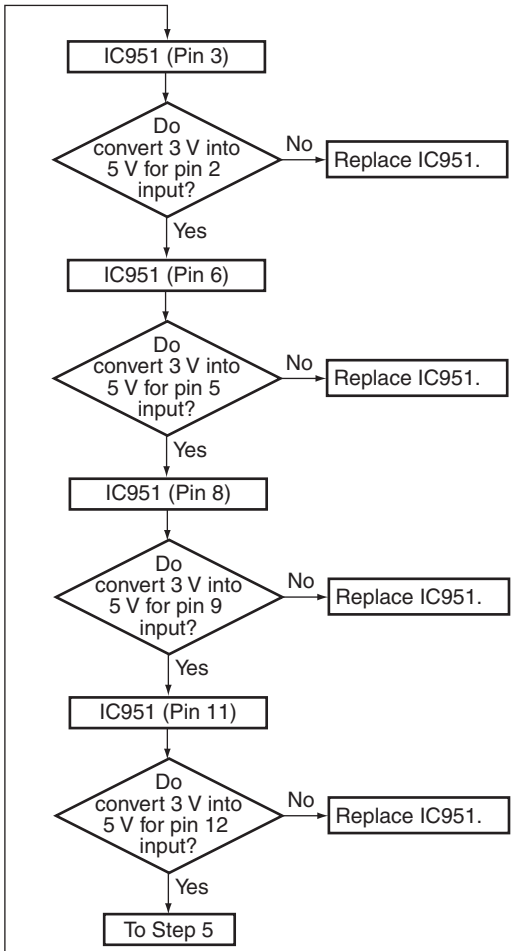
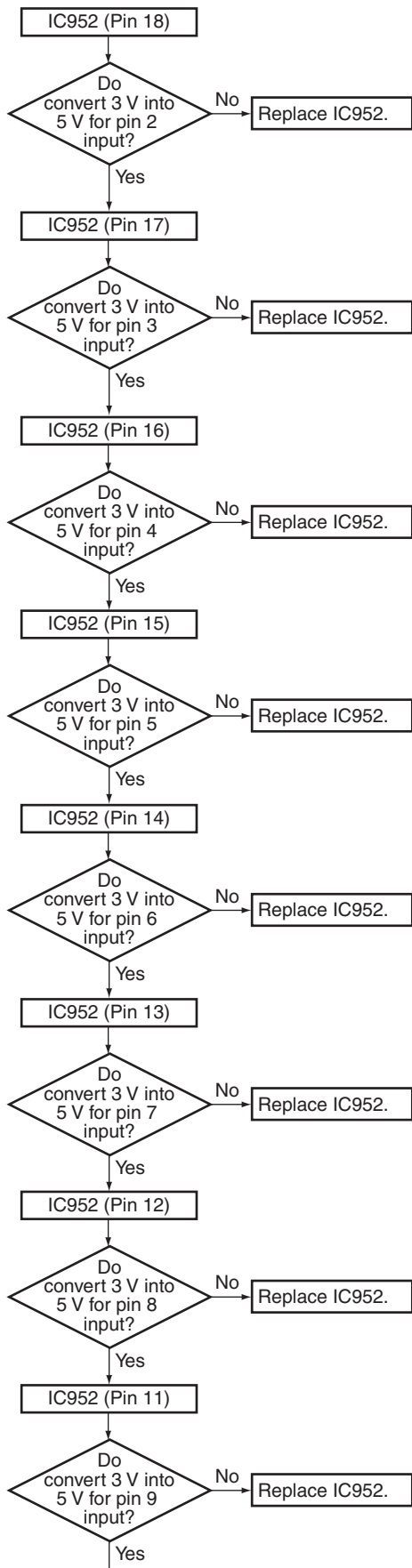
Step 3: Regulator IC



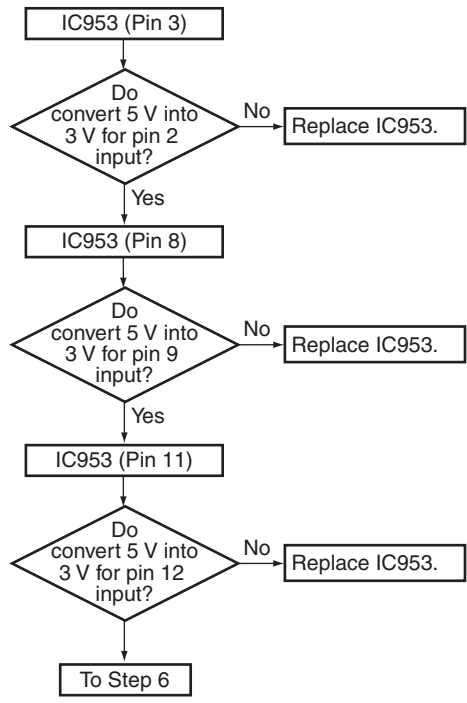
Part shape and Pin arrangement of IC901 and IC902

Step 4: 3 V to 5 V conversion

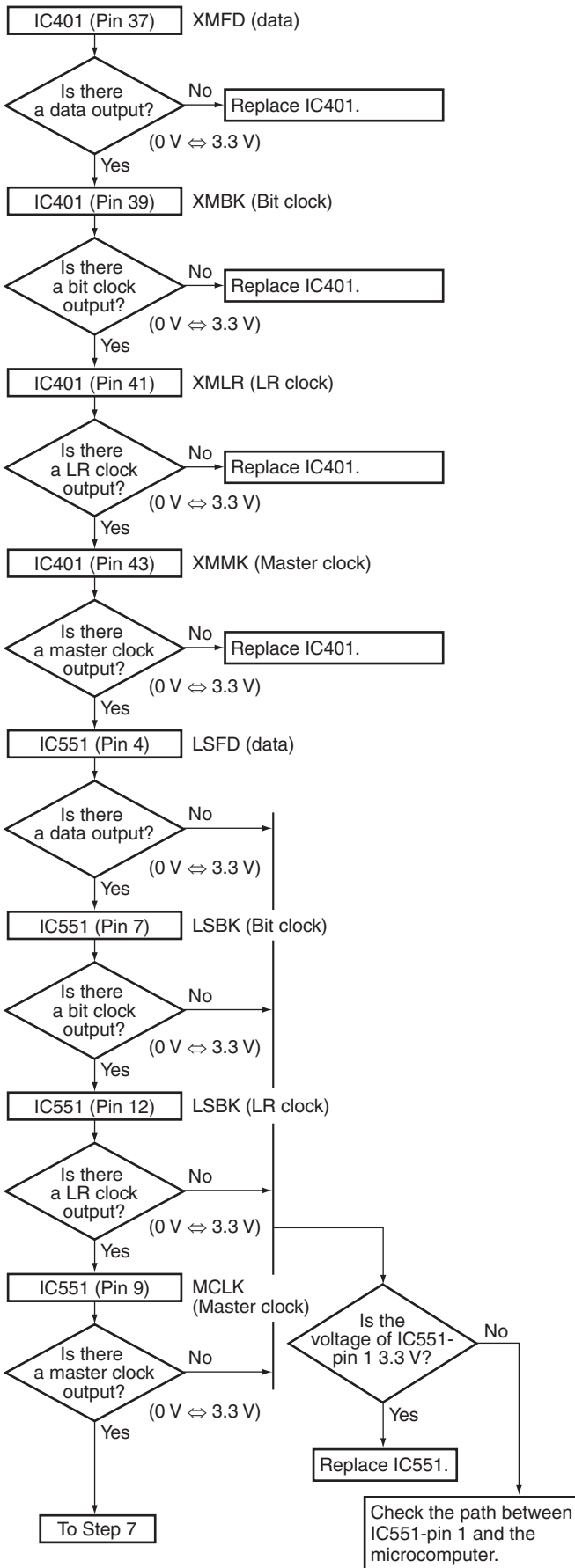
A
B
C
D
E
F



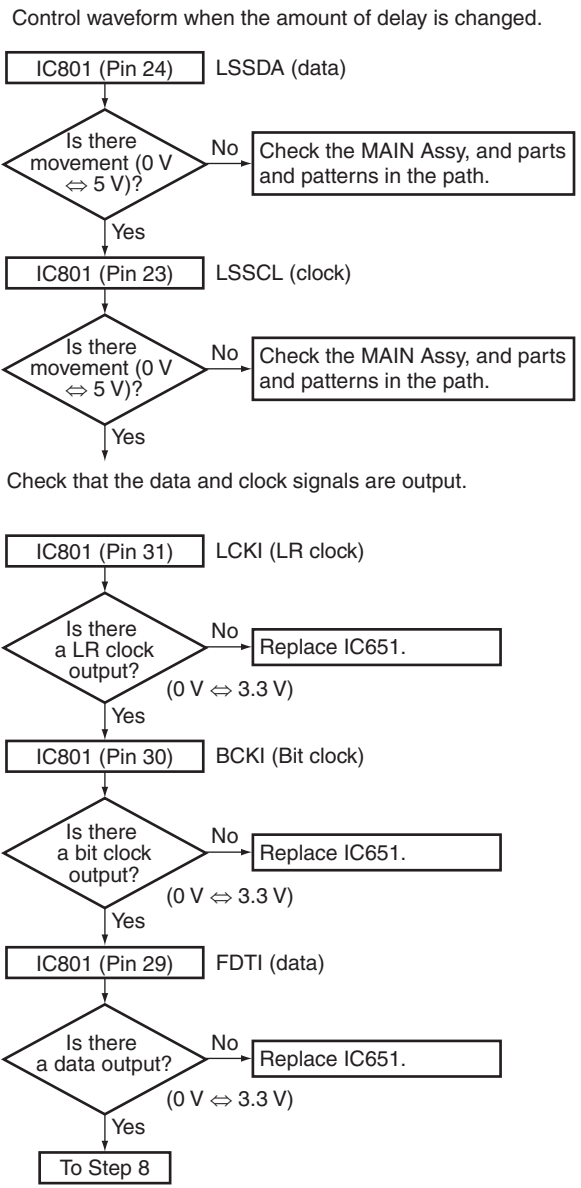
Step 5: 5 V to 3 V conversion



Step 6: XM/DT



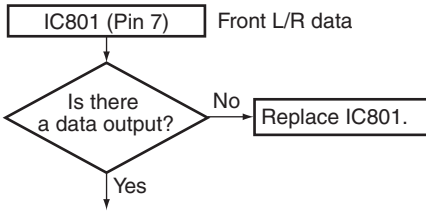
Step 7: LIPSYNC



Step 8: DSP output (digital)

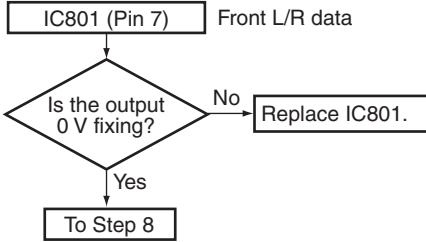
Digital output of each CH when receiving the broadcast signal with audio.

A



Digital output of each CH when not receiving the broadcast signal (-∞ dB (no audio)).

B

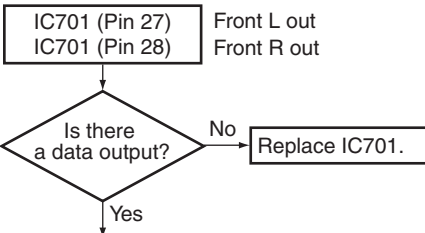


Note:
When confirm the output in the XM surround system, refer to step 7 of "Troubleshooting for all destination".

C

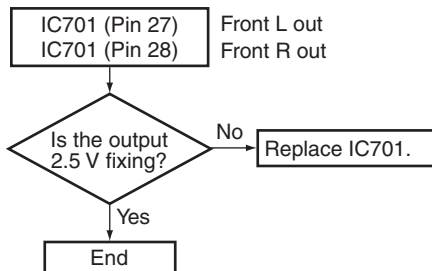
Step 9: Codec output (analog)

Analog output of each CH when inputting the broadcast signal with audio.



D

Analog output of each CH when not receiving the broadcast signal (-∞ dB (no audio)).



E

Note:
When confirm the output in the XM surround system, refer to step 8 of "Troubleshooting for all destination".

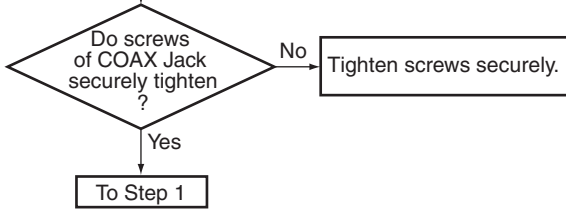
F

Troubleshooting in the MCACC mode

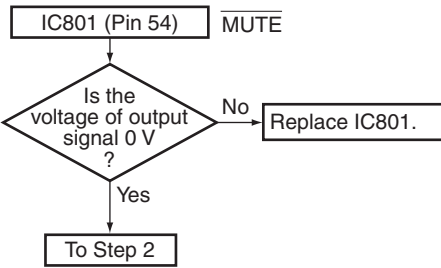
- When the MCACC mode is turned on (SurroundBack is not output by setting.)
- Suppose CR to be poor contact and that is not damaged.
- This shows failure analysis of DSP Assy.

Step 0: Preliminary confirmation

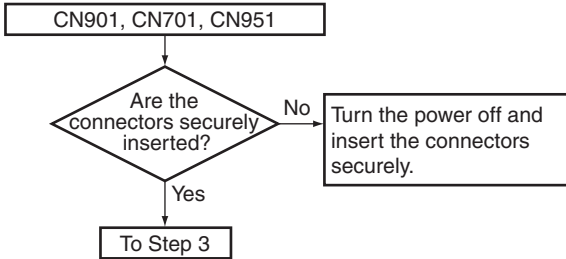
Confirm the following items before checking



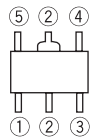
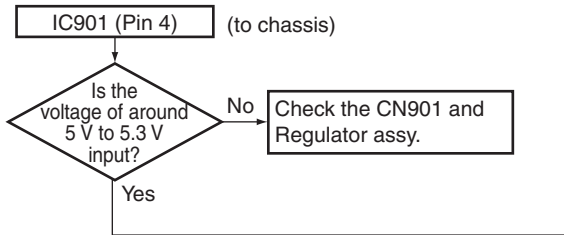
Step 1: MUTE pin



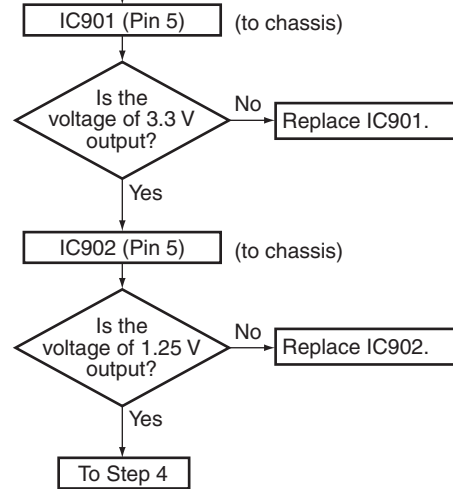
Step 2: BtoB connector



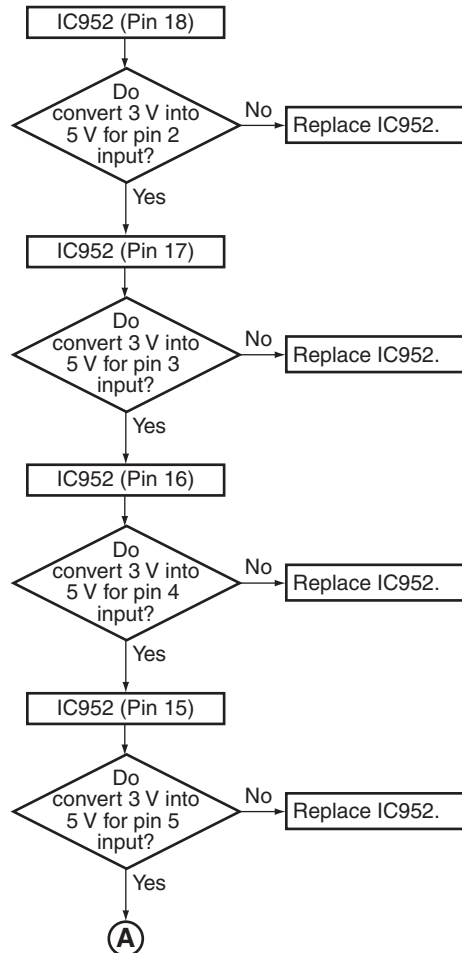
Step 3: Regulator IC



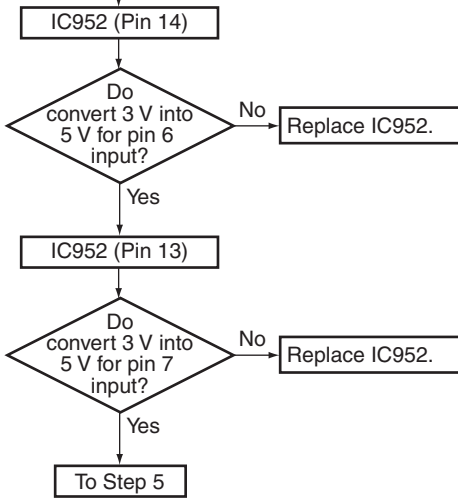
Part shape and Pin arrangement of IC901 and IC902



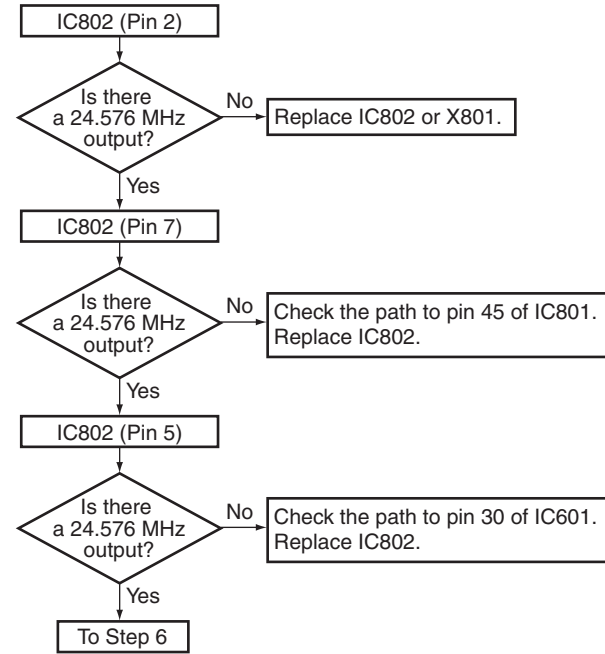
Step 4: 3 V to 5 V conversion



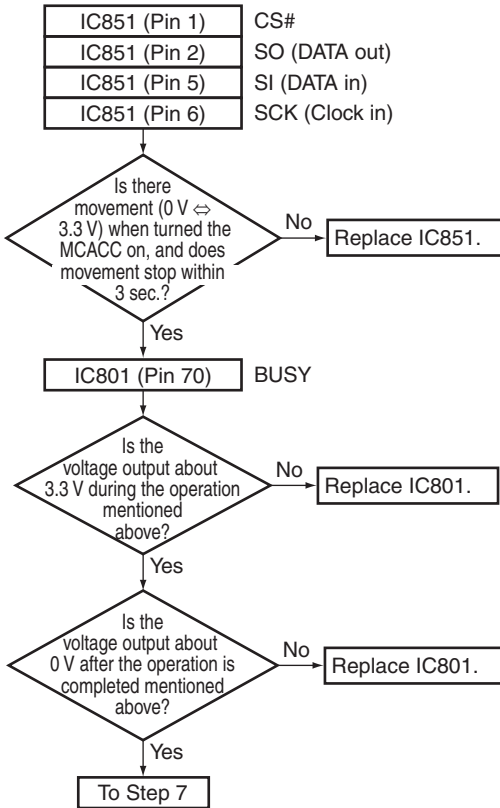
A



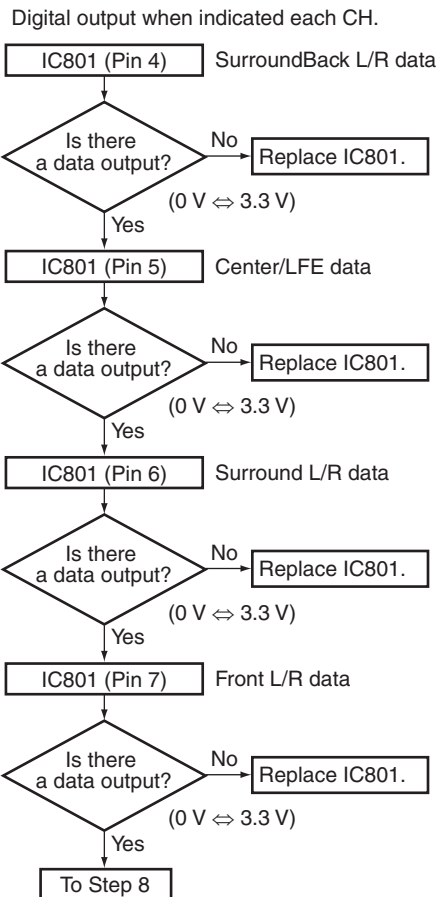
Step 5: X'tal



Step 6: ROM

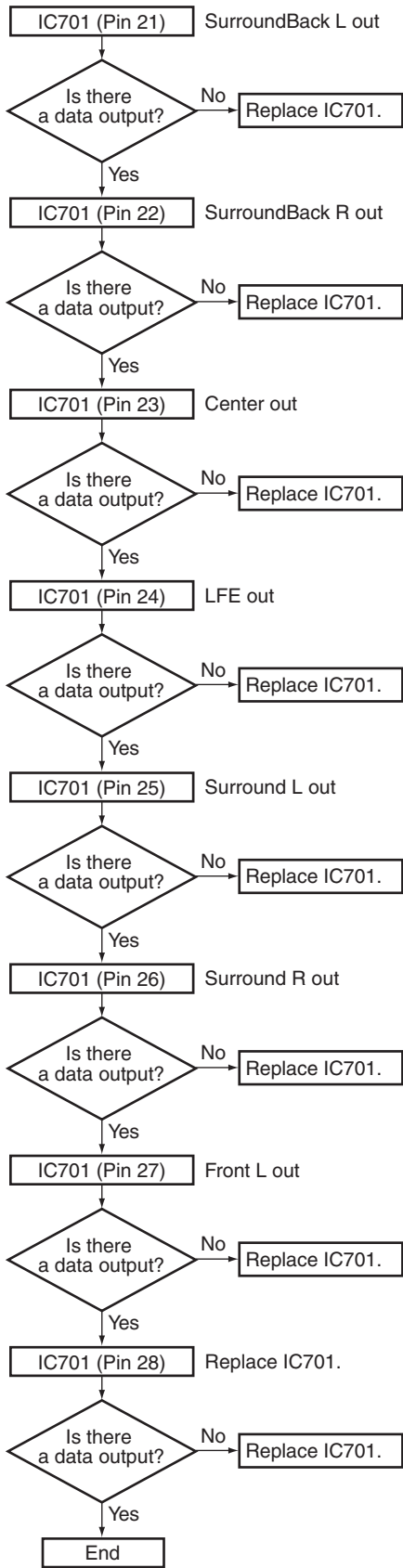


Step 7: DSP output (digital)



Step 8: CODEC output (analog)

Analog output when indicated each CH.



A
B
C
D
E
F

DSP Block Diagram

• [Dashed Box]: AWX8805 / KU only

A

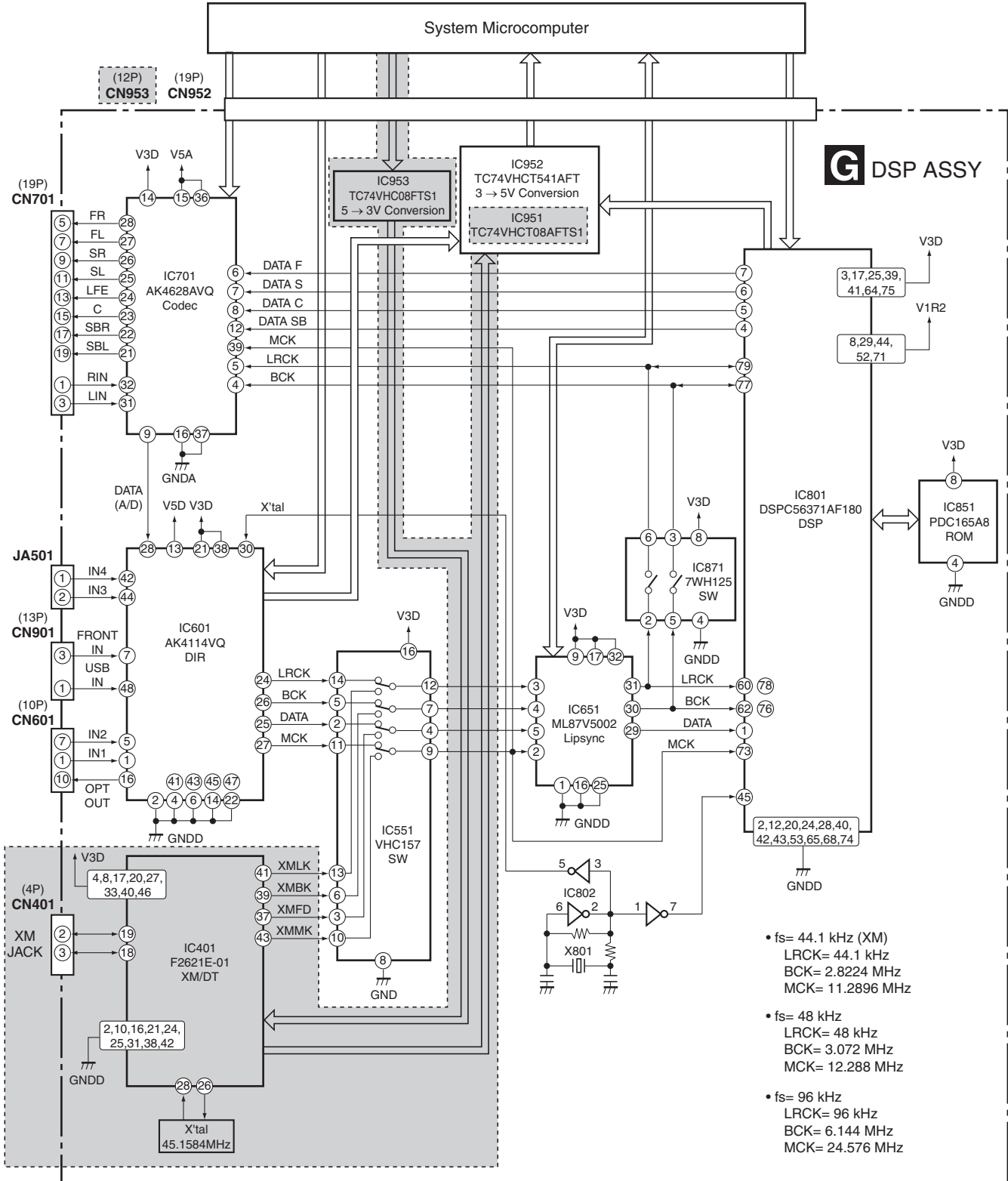
B

C

D

E

F



- fs= 44.1 kHz (XM)
 LRCK= 44.1 kHz
 BCK= 2.8224 MHz
 MCK= 11.2896 MHz
- fs= 48 kHz
 LRCK= 48 kHz
 BCK= 3.072 MHz
 MCK= 12.288 MHz
- fs= 96 kHz
 LRCK= 96 kHz
 BCK= 6.144 MHz
 MCK= 24.576 MHz

5.1.2 HDMI TROUBLESHOOTING

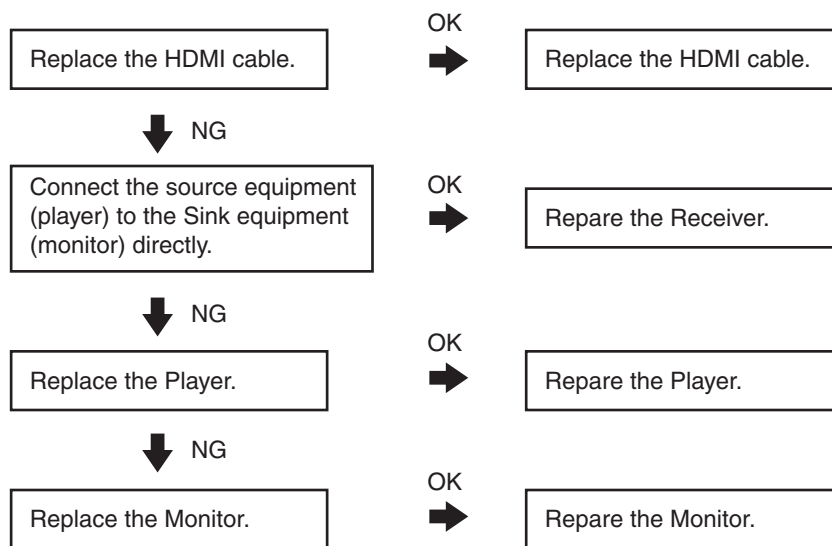
HDMI Simple Diagnosis

Please refer to the one point trouble shooting first before checking the flow chart on the next page.

HDMI

Symptom	Remedy
No picture or sound.	<ul style="list-style-type: none"> If the problem still persists when connecting your HDMI component directly to your monitor, please consult the component or monitor manual or contact the manufacturer for support.
No picture.	<ul style="list-style-type: none"> Depending in the output settings of the source component, it may be outputting a video format that can't be displayed. Change the output settings of the source, or connect using the component, S video or composite jacks.
No sound, or sound suddenly ceases.	<ul style="list-style-type: none"> Since the HDMI audio signal is sent through this receiver to your TV, you need to make separate connections for audio if you want to hear your HDMI component through this system. If you've made separate connections for audio, make sure you have assigned the analog/digital jack(s) to the corresponding HDMI input for the component. Check the audio output settings of the source component.

Causes for no display or sound from the monitor

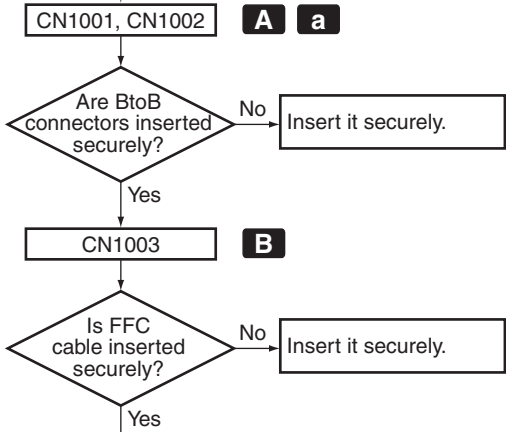


HDMI Troubleshooting

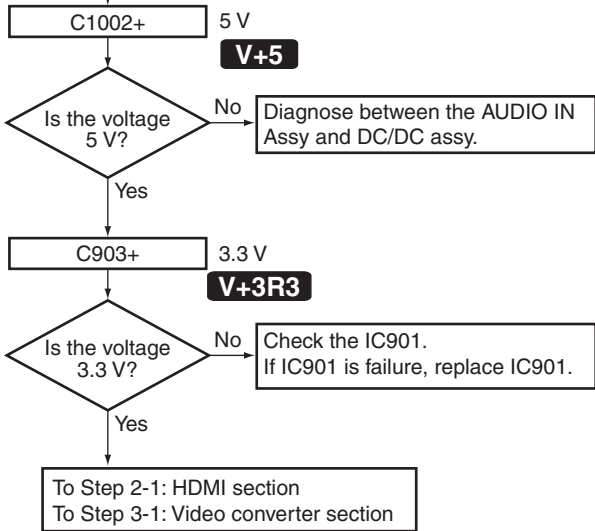
The parts marked like **V+5** in the following chart are located in "HDMI & DVC Assy Check Points".

Common section

Step 1-1: Connections

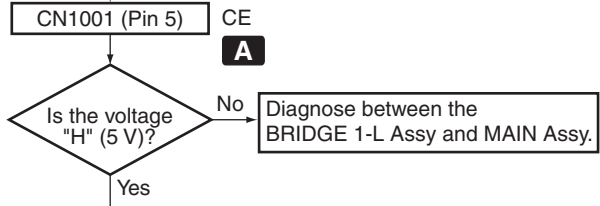


Step 1-2: Power supply

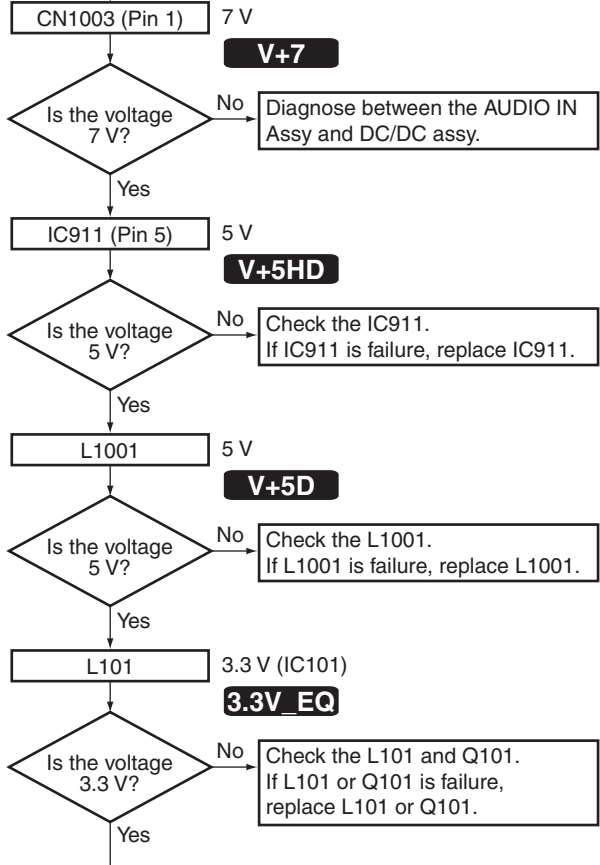


HDMI section

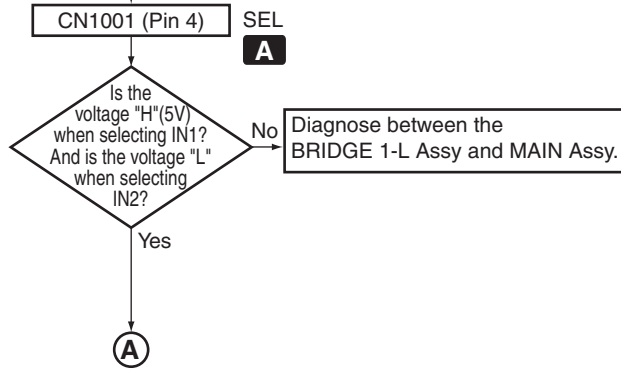
Step 2-1: CE

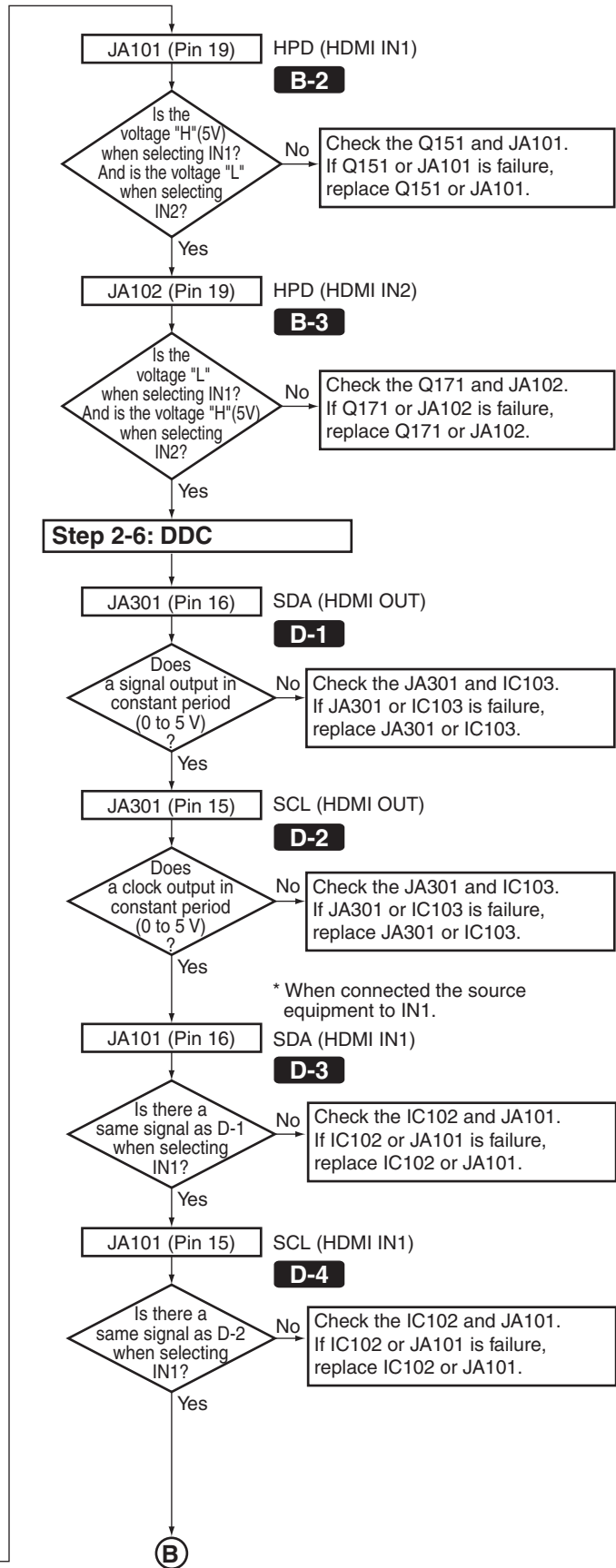
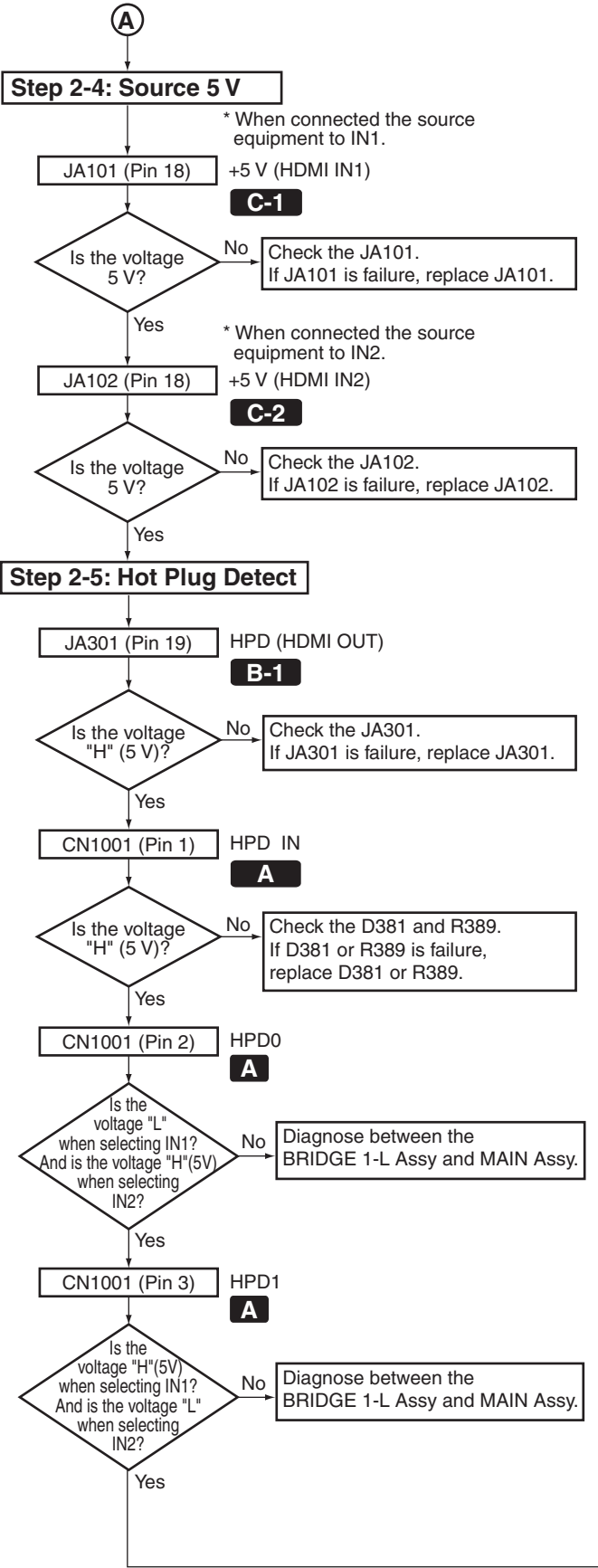


Step 2-2: Power supply



Step 2-3: SEL





(B)

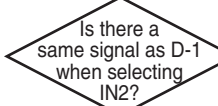
* When connected the source equipment to IN2.

A

JA102 (Pin 16)

SDA (HDMI IN2)

D-5



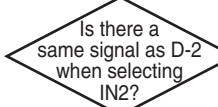
No Check the IC102 and JA102. If IC102 or JA102 is failure, replace IC102 or JA102.

Yes

JA102 (Pin 15)

SCL (HDMI IN2)

D-6



No Check the IC102 and JA102. If IC102 or JA102 is failure, replace IC102 or JA102.

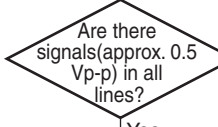
Yes

Step 2-7: TMDS

IC101 (Pins 1,3,4,6,7,9,10,12)

TMDS OUTPUT

E



No Check the IC101 and JA301. If IC101 or JA301 is failure, replace IC101 or JA301.

Yes

End

C

[Video converter]

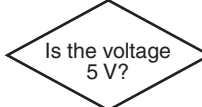
Step 3-1: Power Supply

D

L1002

5 V (VIDEO BUFFER)

V+5A



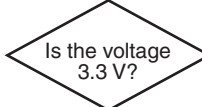
No Check the L1002. If L1002 is failure, replace L1002.

Yes

C401+

3.3 V (VIDEO DEC)

3.3V DE



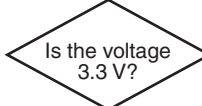
No Check the L403. If L403 is failure, replace L403.

Yes

C701+

3.3 V (VIDEO ENC)

3.3V EN1



No Check the L701. If L701 is failure, replace L701.

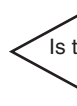
Yes

F

C711+

3.3 V (VIDEO ENC)

3.3V EN2



No Check the L702. If L702 is failure, replace L702.

Yes

C907+

1.8 V (VIDEO DEC)

V+1R8V



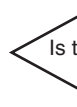
No Check the IC902 and R901. If IC902 or R901 is failure, replace IC902 or R901.

Yes

C423

1.8 V (VIDEO DEC)

1.8V DE1



No Check the L401. If L401 is failure, replace L401.

Yes

L402

1.8 V (VIDEO DEC)

1.8V DE2



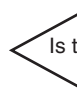
No Check the L402. If L402 is failure, replace L402.

Yes

C419

1.8 V (VIDEO DEC)

1.8V DE3



No Check the L404. If L404 is failure, replace L404.

Yes

IC402 (Pin 8)

1.8 V (IC402)

1.8V OSC



No Check the L417. If L417 is failure, replace L417.

Yes

Step 3-2: Video Input

CN1002 (Pin 1)

CVBS IN

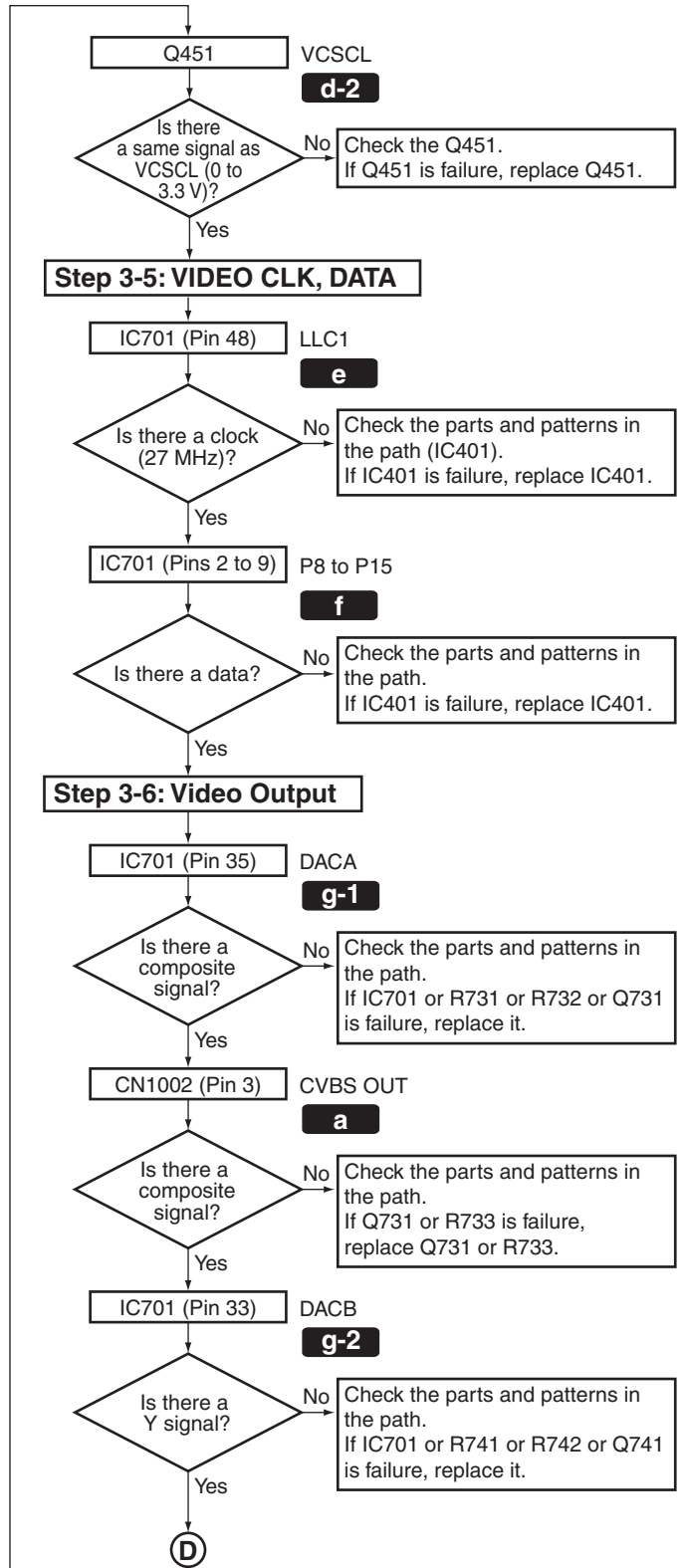
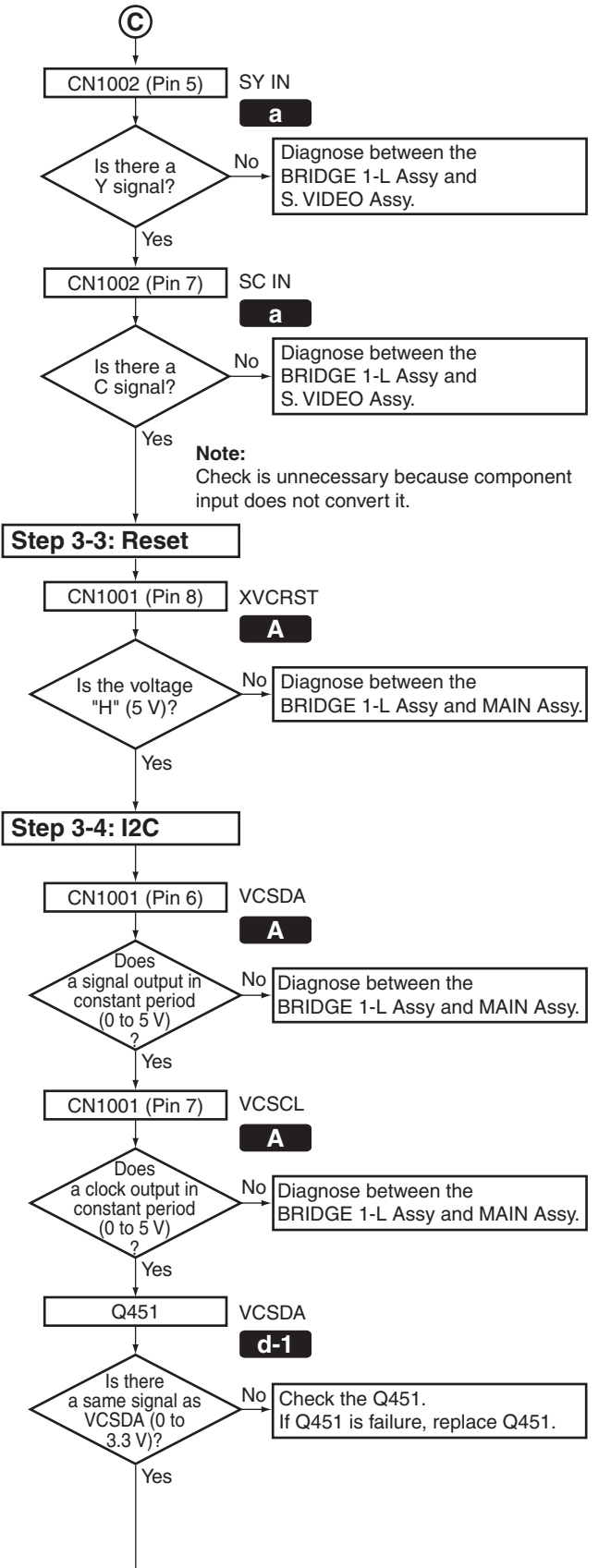
a



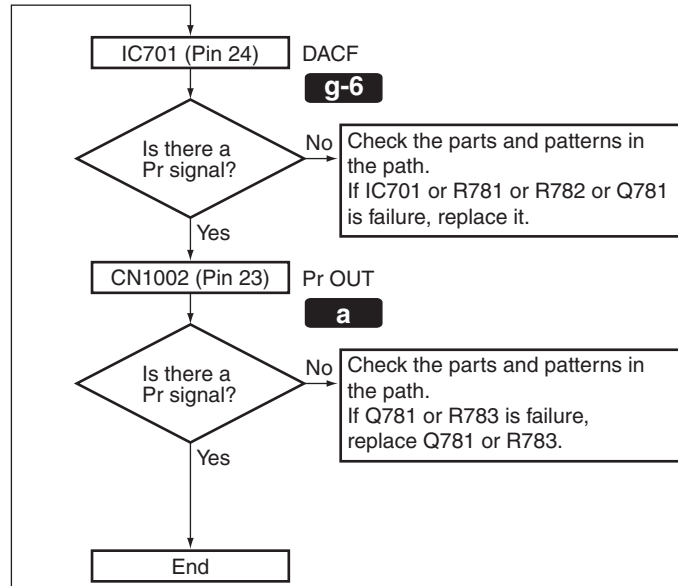
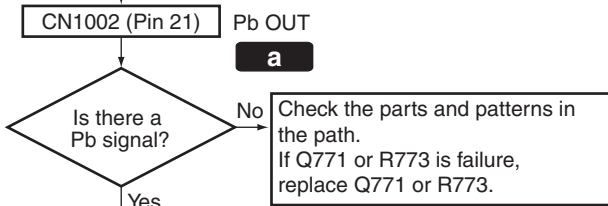
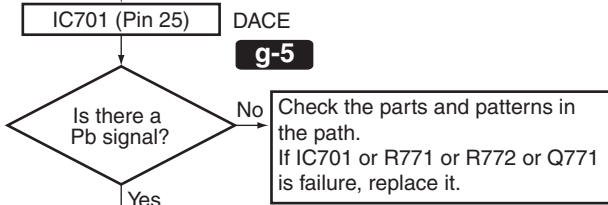
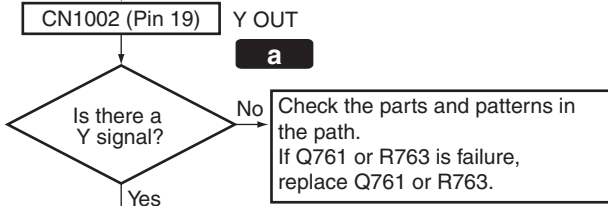
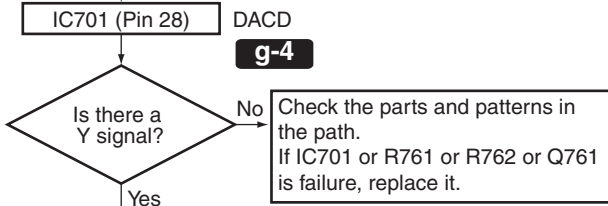
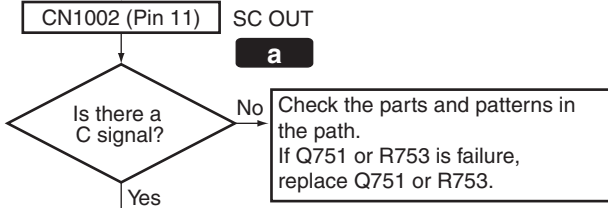
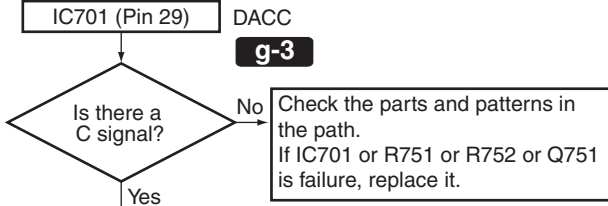
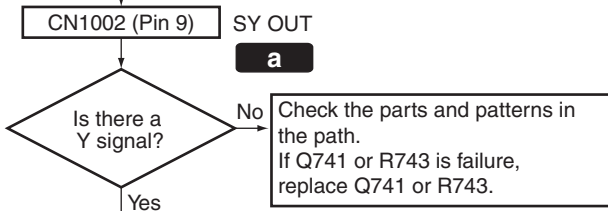
No Diagnose between the BRIDGE 1-L Assy and COMPOSITE Assy.

Yes

(C)



(D)

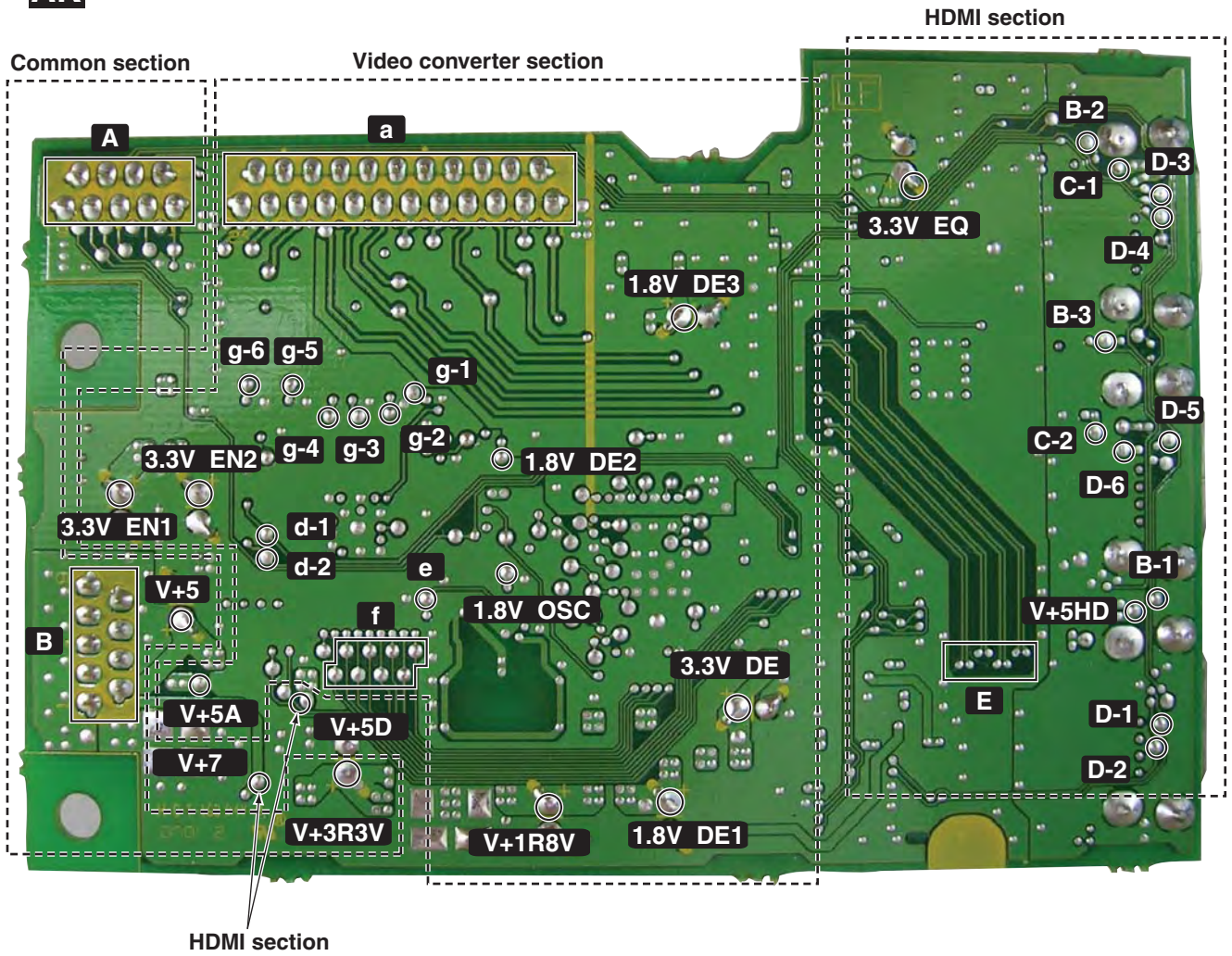


HDMI & DVC Assy Check Points



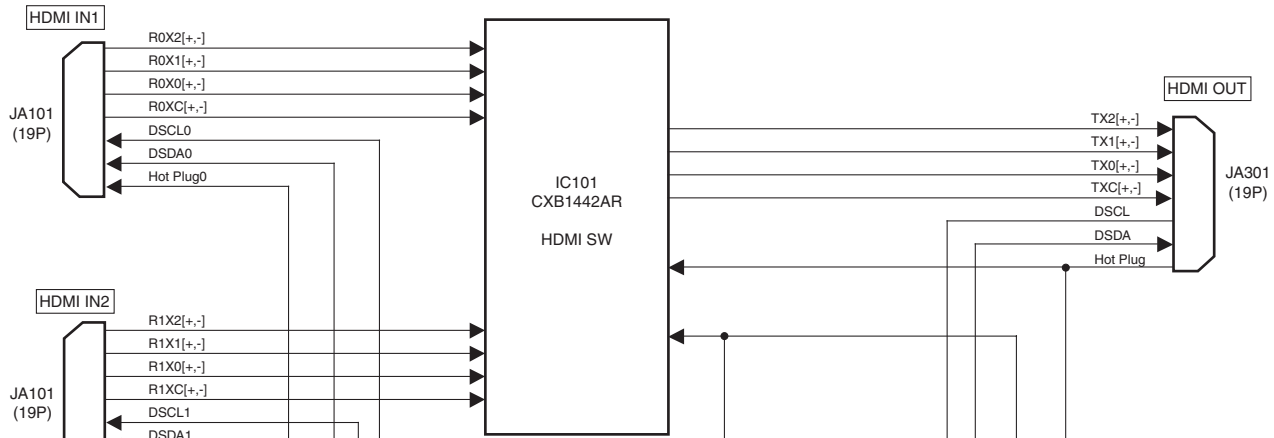
HDMI & DVC ASSY

SIDE B

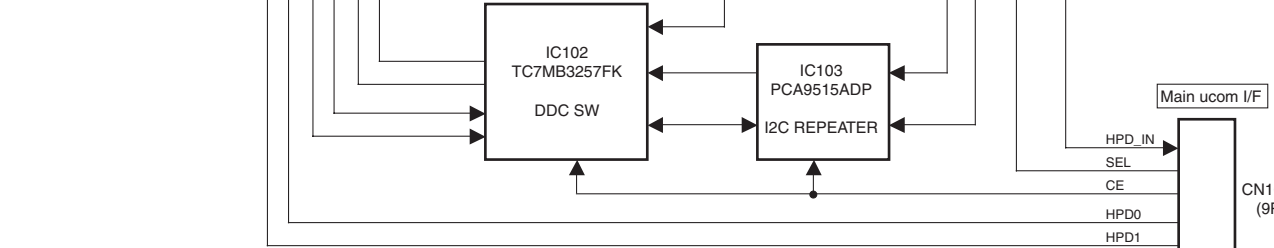


Block Diagram of the HDMI & DVC Assy

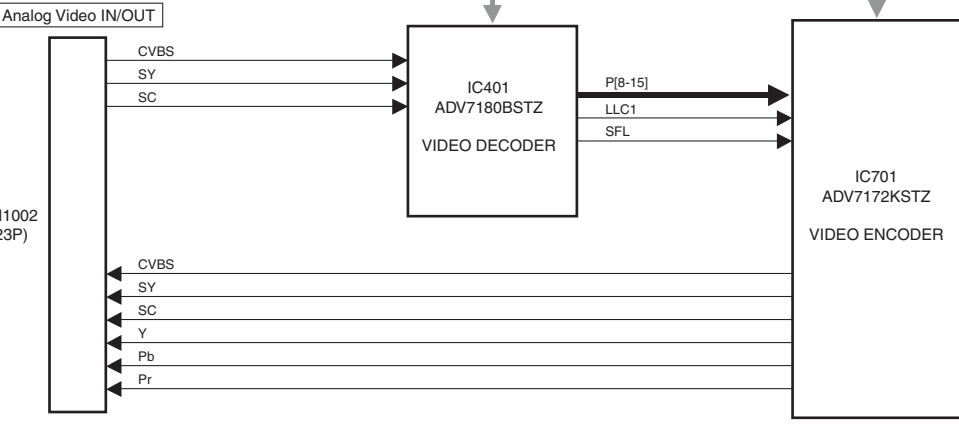
A



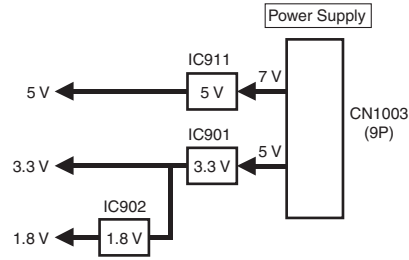
B



C



D



E

F

Description of Error Indications

FL Display	Error Content	Possible causes and actions to be taken
USB ERROR1	Detection of overcurrent to a USB device	Overcurrent (500 mA or more) is consumed at the connected USB device. • Some USB devices, such as a portable HDD, need more current than that this unit supplies. (Use the AC adaptor for the connected USB device.) • The USB power is short-circuited.
USB ERROR2	Detection of a medium not supported	A USB device that this unit does not support (other than the Mass Storage Class) is connected (such as a mouse, printer, or digital camera). • Connect a mass storage class USB device.
USB ERROR3	Communication error with the system microcomputer	Communication between TCC8600-00X-EA-UG (IC701) and PEG379A (IC101) failed. • Defective connection (connectors) inside this unit • See STEP 3 of Troubleshooting.

Operations when overcurrent to a USB device is detected

- (1) Overcurrent to a USB device is detected at the port for the microcomputer.
- (2) The power supply to the USB device is stopped.
- (3) Control of 5 V power is disabled at the port for the microcomputer.
- (4) Change of indications on the FL display

Flashes for 2 sec.

U S B E R R 1



Lights up after flashing for 2 sec.

U S B E R R 1

- (5) To supply power to the USB module again:

- Turn the power to the unit off then back on.
- Set the function setting to anything other than USB then back to USB.
- Press the USB play key on the remote control unit.

- (6) After overcurrent is detected, if the USB play key is pressed while the error indication is displayed, power supply to the USB module is restored. If overcurrent is no longer detected, the indications shown below are displayed (normal indication):

U S B

In this state, flashing of "USB ERROR1" stops, but playback will not start. To start playback, press the USB play key again.

In the above case, if overcurrent is detected again, the above procedures 1 through 4 are repeated.

In a case where a medium not supported is connected

- (1) Change of indications on the FL displays

Flashes for 2 sec.

U S B E R R 2



Lights up after flashing for 2 sec.

U S B E R R 2

If overcurrent is detected before detection of a non-supported medium, the error indication "USB ERROR1" remains, as the power supply to the USB module is stopped.

On supported media

The formats of supported media that can be played back on this unit are MP3, WMA, and AAC.

Some media in MPEG4 can also be played back. As AAC derives from MPEG4 codec, playback of media in AAC codec of MPEG4 is possible.

Block Diagram of the USB Assy

A

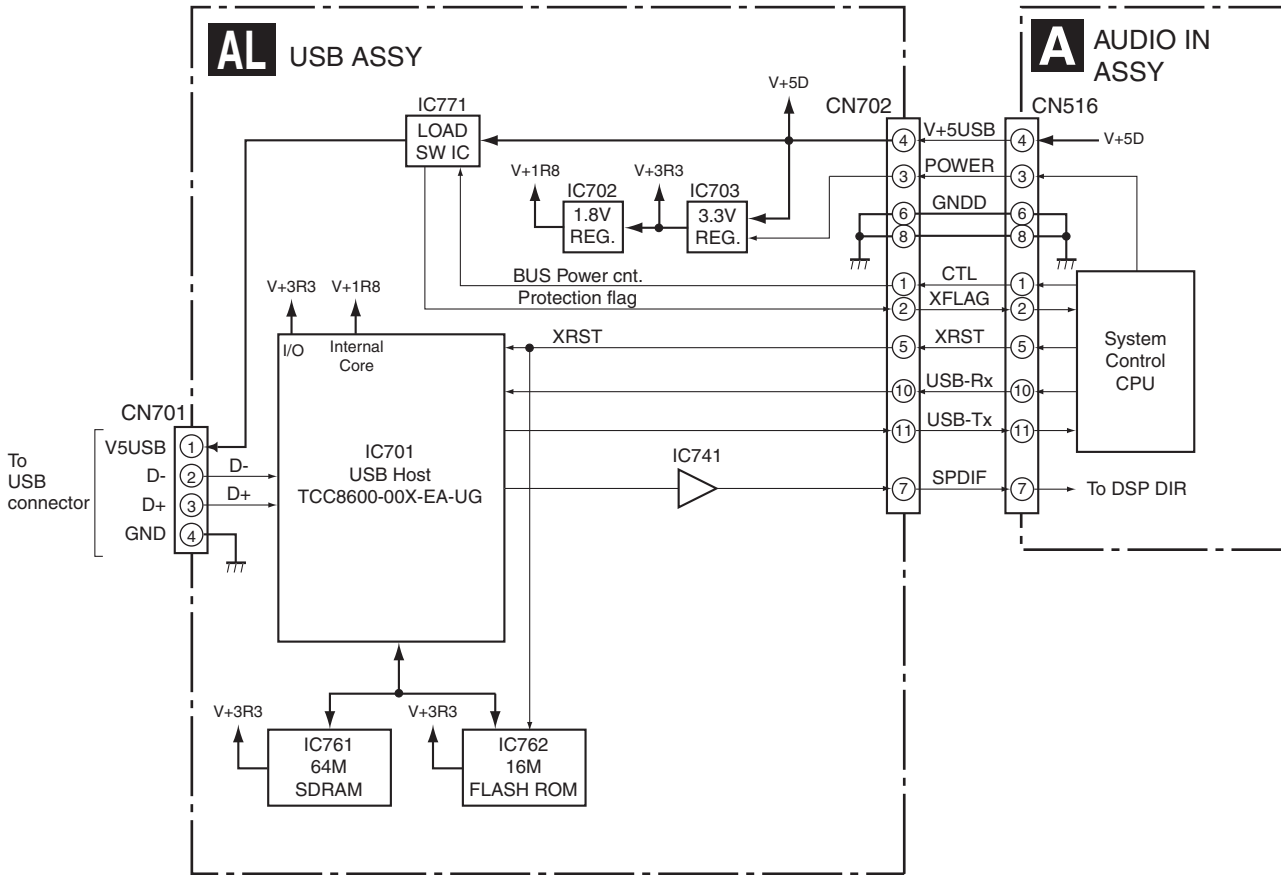
B

C

D

E

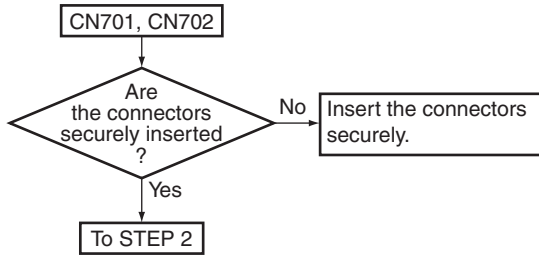
F



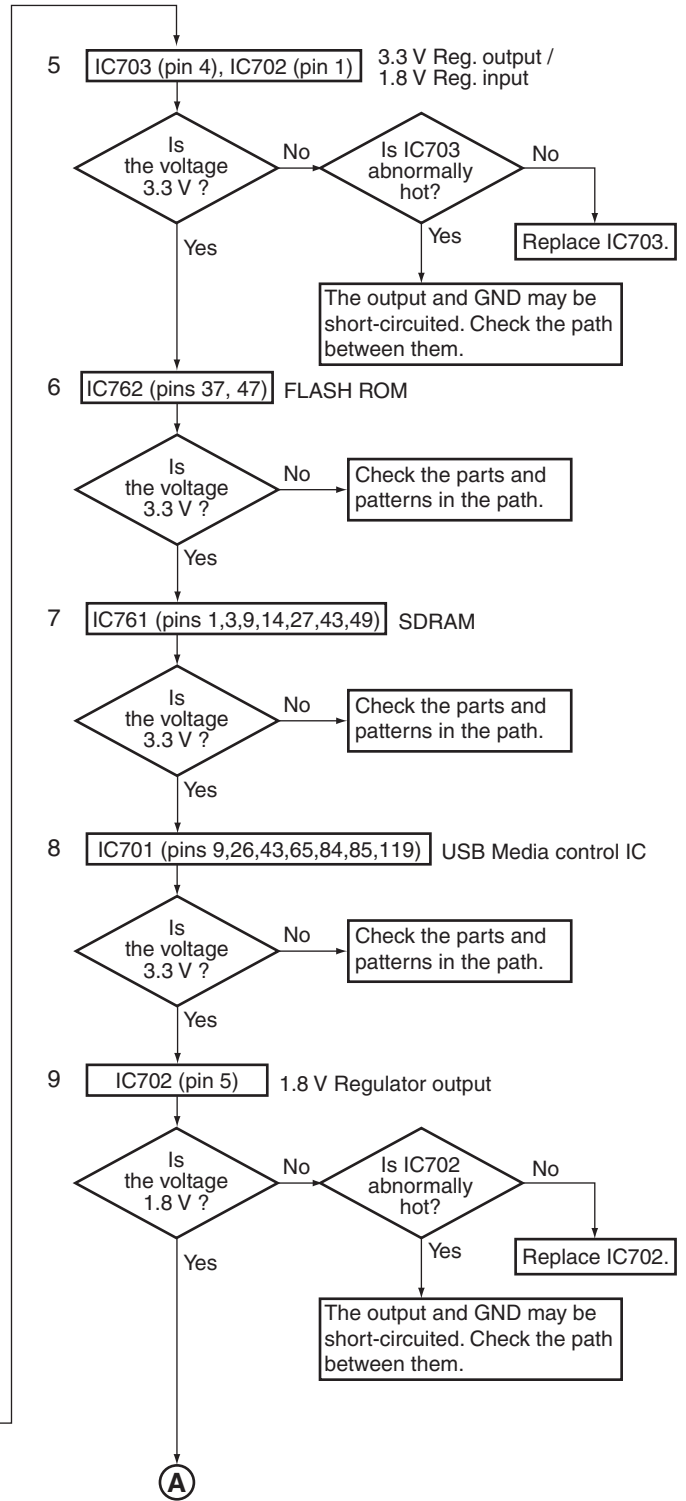
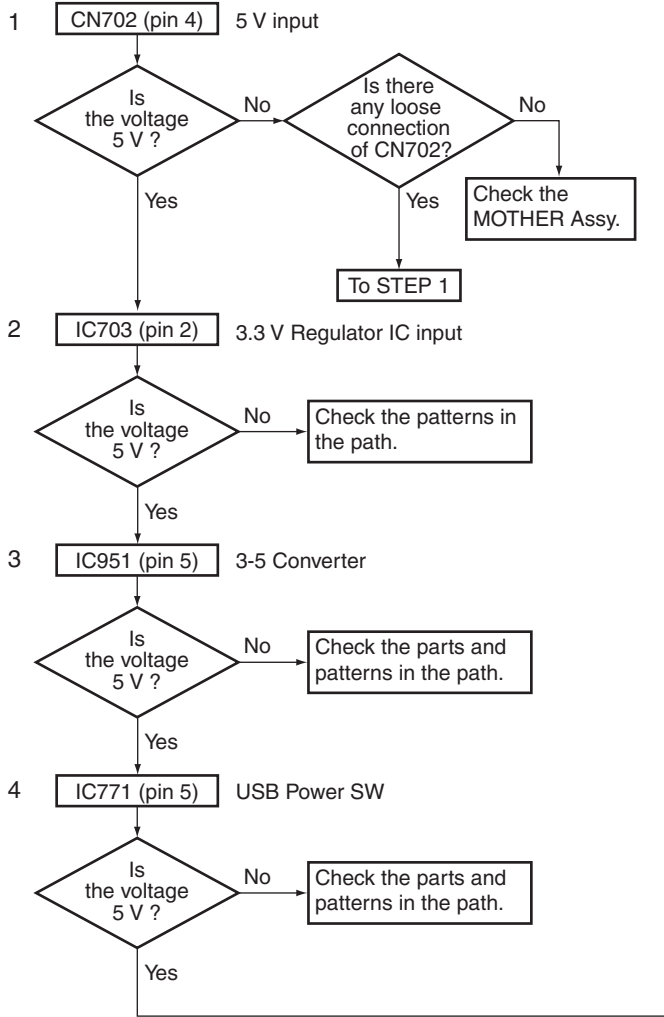
- | Main parts | Purpose |
|--------------------------|---|
| TCC8600-00X-EA-UG | : USB Host control decoder (MP3/WMA/MPEG-4AAC) |
| 16M FLASH ROM | : Firmware is stored |
| 64M SDRAM | : Temporary storage area of decoding music file |
| LOAD SWITCH | : Current limitation to USB device power |

■ USB Troubleshooting

Step 1: Connectors



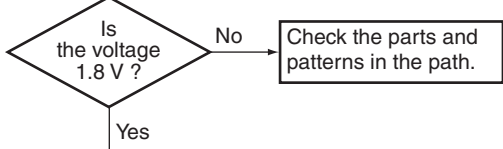
Step 2: Power supply



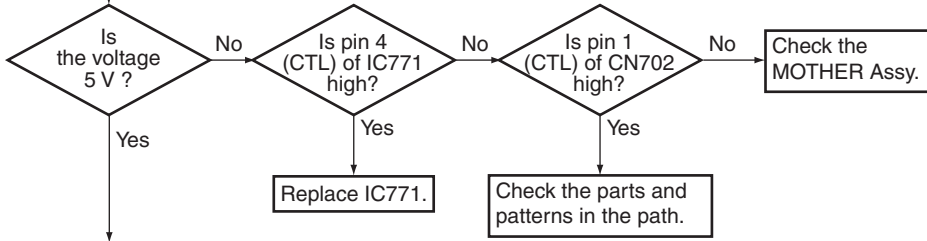
A
B
C
D
E
F

(A)

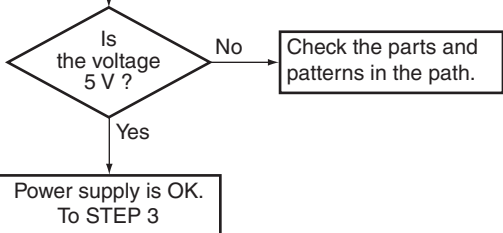
10 IC701 (pins 7,24,40,58,73,74,91,110,124) USB Media control IC



11 IC771 (pin 1) USB Power SW output



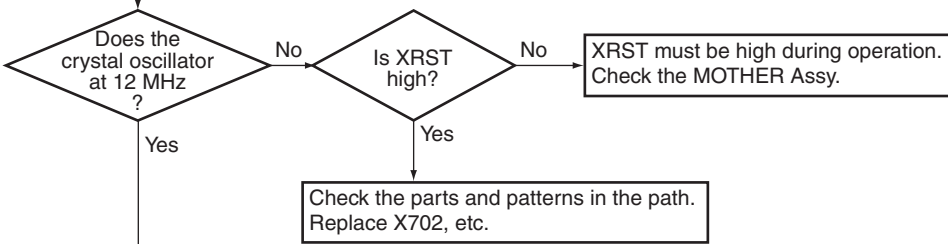
12 CN701 (pin 1) USB Bus power



Step 3: Operation of USB Media control IC

Note: Please confirm it with the USB memory connected for the content.

IC701 (pins 74,75) XIN/XOUT



USB-Tx/USB-Rx (Refer to Fig. 1 and 2)

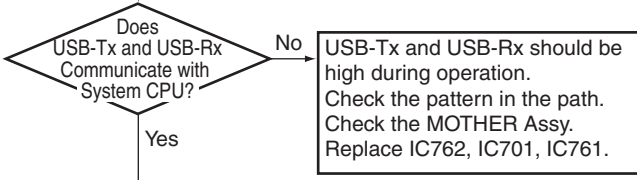


Fig. 1

	IC701		CN702
XRST	pin 77	R951	pin 5
USB-Rx	pin 96	R955	pin 10

Fig. 2

	IC701	IC951 (3 V → 5 V)	CN702
USB-Tx	pin 95	pin 2	pin 4
			pin 11

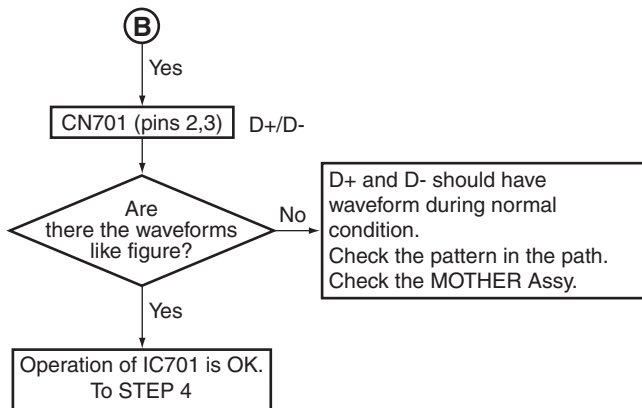
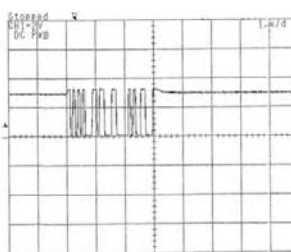
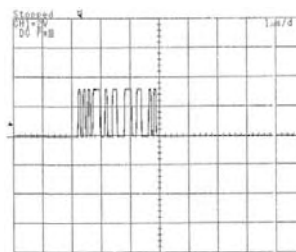


Fig. D+



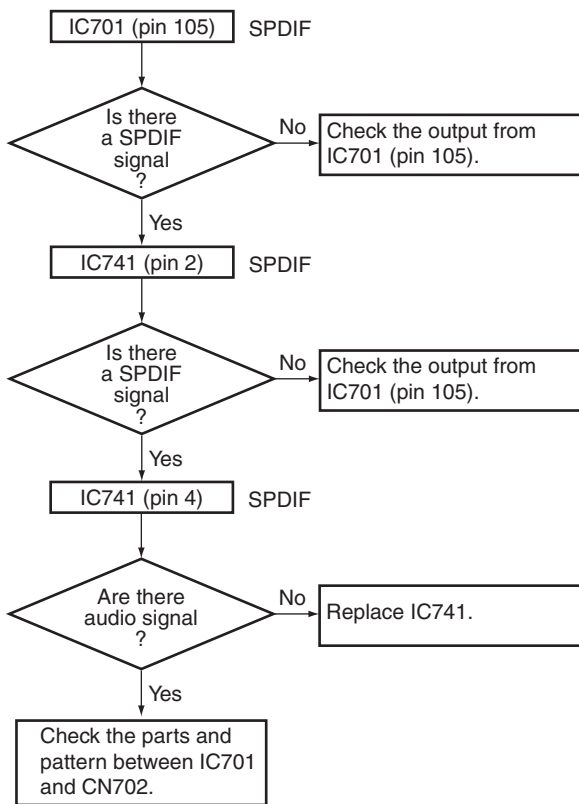
X: 1 μsec/div, Y: 2 V/div

Fig. D-



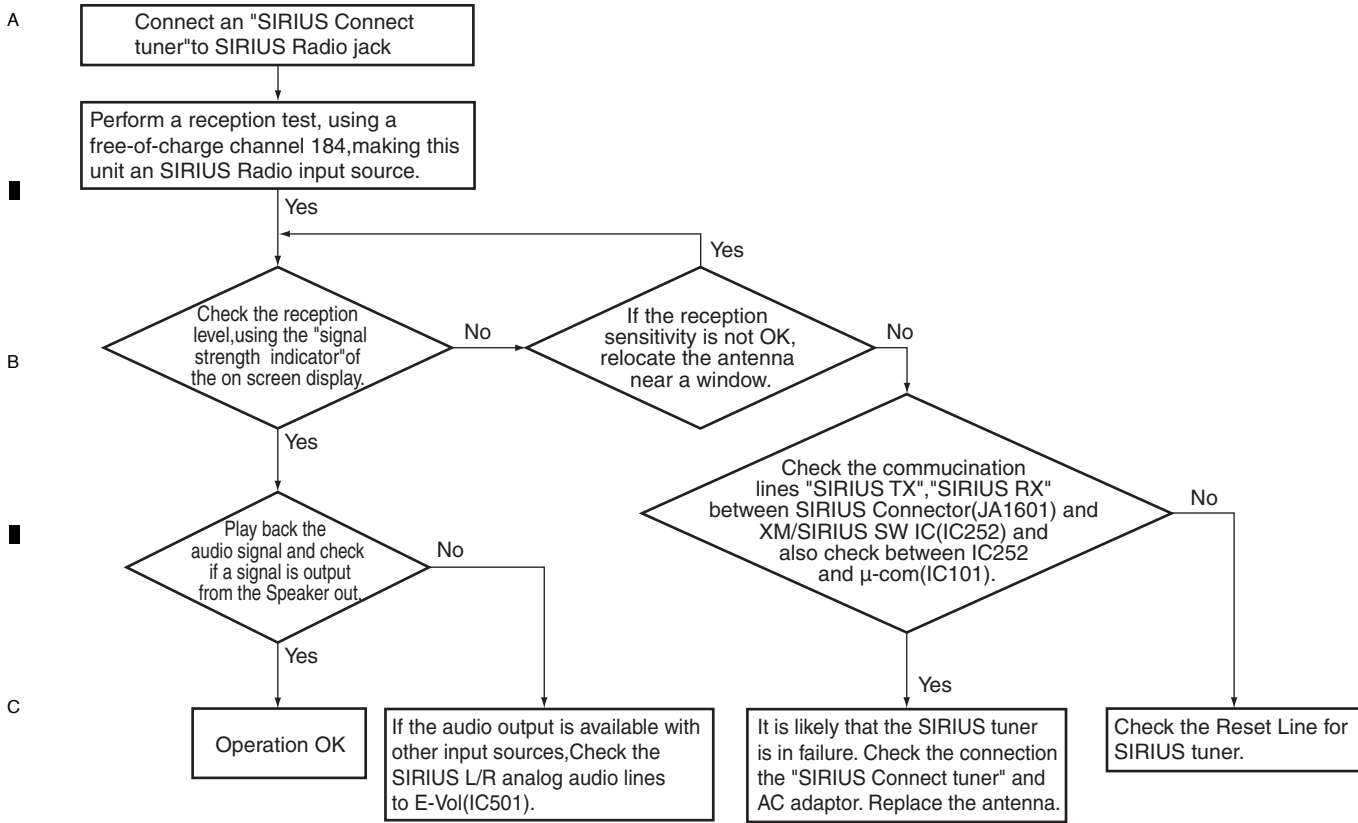
X: 1 μsec/div, Y: 2 V/div

Step 4: Audio Out check



5.1.4 SIRIUS BLOCK TROUBLESHOOTING (VSX-1017TXV-K/VSX-90TXV Only)

Step 1 : Connectors



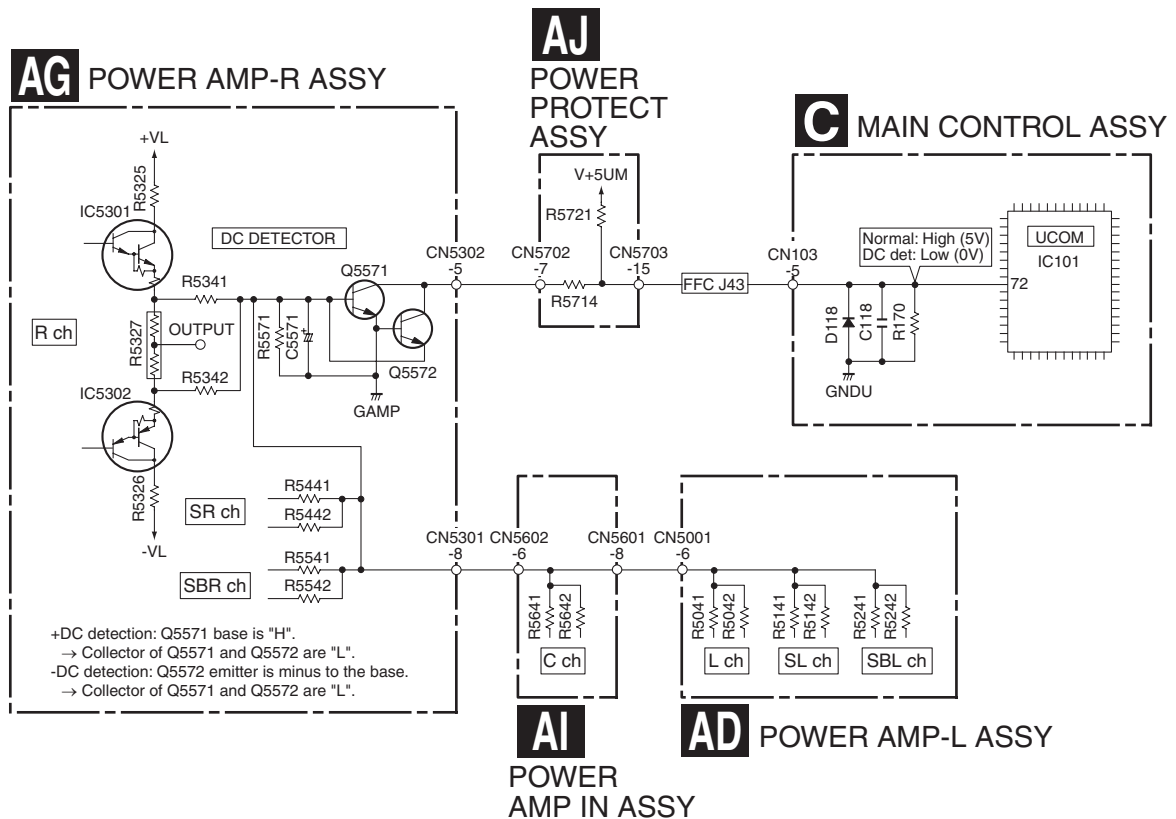
5.2 CIRCUIT DESCRIPTION

5.2.1 PROTECTION CIRCUIT SPECIFICATION

● Protection Circuit Process List

Item	Purpose	Detection Method	Process	Warning Indication	Remarks
DC detection	To detect amplifier damage (defect status) A process to protect speakers (for protection of connected external devices)	Detects when the DC PROTECT port becomes "L". (Pin 72 of IC101)	Turns muting on and speaker relay off, then turns off the power after 3 seconds. Then flashes MCACC indicator.	Flashing "AMP ERR" for 3 seconds.	Once detected and turned the power off, input a key never again. If the DC DET port becomes "H" within 3 seconds, the unit returns to normal condition automatically.
AMP overload	To detect overloading (abnormal status) With low load driving or a short circuit of the speaker terminals (for protection of the amplifier)	Detects when the OL DET port becomes "L" (checks by interrupt). (Pin 17 of IC101)	Turns muting on and speaker relay off, and immediately turns off the power. Then flashes PHASE CONTROL indicator.	None	
Overheat detection	Self reset type protection feature by temperature rise of heat sink	Detects when the TEMP2 port becomes "H". (Pin 44 of IC2301)	Turns muting on and speaker relay off, then turns off the power after 3 seconds.	Flashing "OVERHEAT" for 3 seconds.	If the TEMP2 port becomes "L" within 3 seconds, the unit returns to normal condition automatically.
12V trigger failure detection	To detect the shortcircuit of 12V trigger output (load more than 50mA) (for protection of the amplifier)	Detects when the 12VDET port becomes "H". (Pin 41 of IC2301)	Turns 12V trigger output to off.	Flashing "12V TRG ERR"	Continue showing warning. Release the FL indication by switching the INPUT SEL or the turns the power off.

● DC Detection Circuit



6. SERVICE MODE

6.1 TEST MODE

Version indication

[Purpose]

The versions for various microcomputers and DSP firmware are displayed.

[How to enter/exit]

HY model:

During Standby mode, simultaneously press and hold the "STANDBY/ON" and "SOUND RETRIEVER" key for 5 seconds to enter this mode.

KU model:

During Standby mode, simultaneously press and hold the "STANDBY/ON" and "MULTI CH IN" keys for 5 seconds to enter this mode.

This mode is automatically exited when the indications of all versions have finished.

[Basic operations]

FL Display	Description of Version Indications	Duration (sec.)	Devices that can be considered generally normal, with the corresponding indications
POWER OFF ↓ M1.000 F1.000 ↓ PPP.05 ↓ Normal display	Mx.xxx : Main microcomputer Fx.xxx : Display microcomputer PPP.xx : DSP firmware	5 5	Main microcomputer and display microcomputer DSP firmware (in Main microcomputer)

[Notes]

1. If the version indication becomes "***," a failure in communications between the corresponding microcomputers or a failure in the corresponding microcomputers is likely.
2. In this submode, the user settings will not be cleared.

■ Detected protection history

[Purpose]

The numbers of detections for various protection processes are displayed.

[How to enter/exit]

During Standby mode, simultaneously press and hold "DVR/VCR1" and "ENTER" keys for 5 seconds to enter this mode.

This mode is automatically exited when all the indications have finished.

[Basic operations]

FL Display	Description of Indications	Duration (sec.)
POWER OFF ↓ DC : 000	Number of DC detections	3
↓ OVER: 010	Number of overload detections	3
↓ CON : 002	Number of detections of cord disconnection (DC and OL DET line) (simultaneous detections of DC and OVERLOAD)	3
↓ FAN : 002 (*)	Number of detections of fan abnormalities	3
↓ TEMP: 255	Number of detections of abnormal temperature	3
↓ Normal display		

(*) for KU models, "FAN : 000" is always displayed.

[Description]

When the keys are pressed, the numbers of DC detections, overload detections, detections of connectors disconnection inside unit (It is detected by both DC and OVERLOAD detections.), detections of fan abnormalities, and detections of abnormal temperature are displayed for 3 seconds each, in that order.

The maximum value of each detections is 255.

■ Error indications when an abnormality in the amplifier system is detected

[Purpose]

An error message is displayed when an abnormality in the amplifier system is detected.

[Error Messages]

FL Display	Status	Duration (sec.)
AMP ERROR	When AMP DC is detected	Flashes 3 times.
FAN STOP HY model Only	When stopping of the fan is detected	Flashes 3 times.
OVERHEAT	When a thermal shutdown (abnormal temperature), etc. is detected	Flashes 3 times.
12V TRG ERR 90TXV types only	When the 12-V trigger circuit is short-circuited	Flashes
XM Power Error KUXJ and KUXJ/CA models only	The power supply of the XM antenna is abnormally	Flashes

[Description]

AMP ERROR : After a failure in the amplifier block or high DC output is detected, the shutdown process starts, then the power will be shut off. Then the MCACC LED will flash. The power cannot be turned on again. If you wish to turn on the unit after a shutdown activated by DC detection, enter Test mode, by proceeding with the steps described in "How to enter release mode" below.

FAN STOP : The fan does not function.
(HY model Only)

OVERHEAT : The temperature of the amplifier is abnormally high.

12V TRG ERR : The 12-V trigger output is short-circuited.
(90TXV only)

XM Power Error : The power supply of the XM antenna is abnormally.
(KUXJ and KUXJ/CA models only)

After a failure is detected, the shutdown process starts, then the power will be off. The power can be turned on again in Normal mode.

[How to enter release mode]

Press and hold **DVR/VCR2** and **ENTER** keys on the front panel simultaneously for 5 seconds in standby mode.

7. DISASSEMBLY

Note 1: Even if the unit shown in the photos and illustrations in this manual may differ from your product, the procedures described here are common.

Note 2: For performing the diagnosis shown below, the following jigs for service is required:

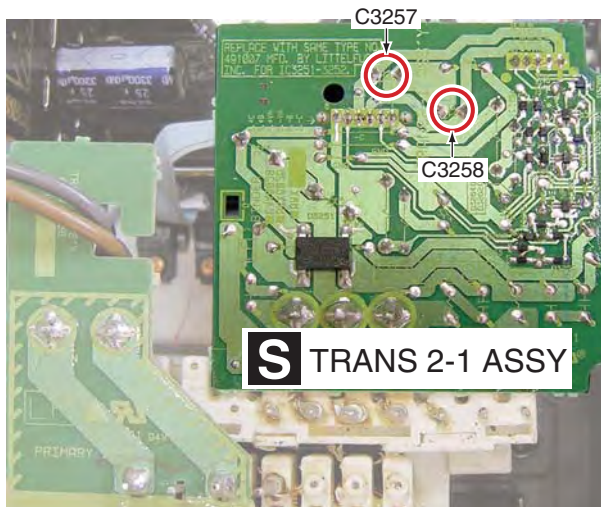
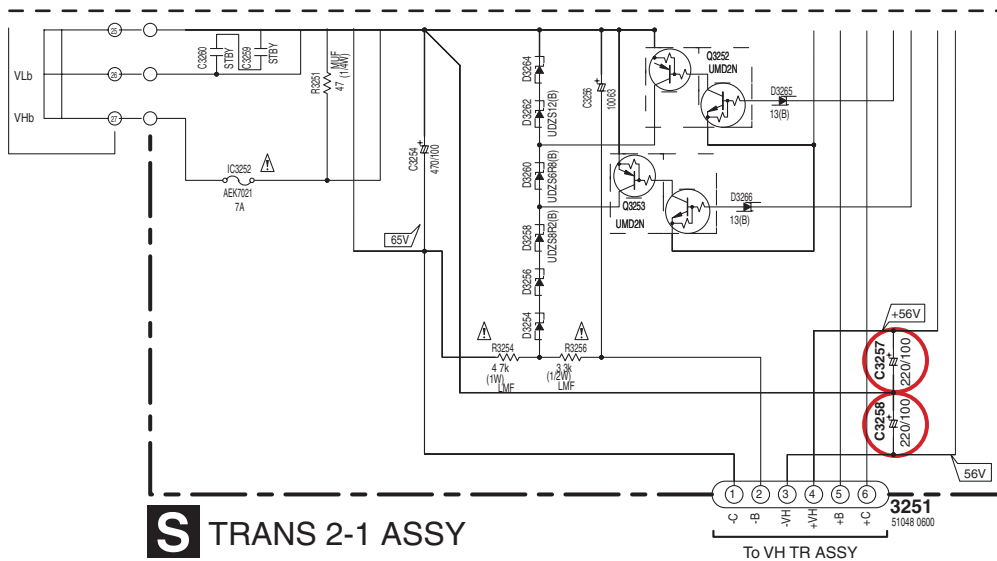
- 11P board to board extension jig cable (GGD1482)
- 13P board to board extension jig cable (GGD1483)
- 15P board to board extension jig cable (GGD1484)
- 21P board to board extension jig cable (GGD1485)

1. Before the Power Amp Block is removed

Before the Power Amp Block is removed, discharge C3257 and C3258 on the TRANS 2-1 Assy, as indicated below. If you don't, the IC protectors (IC3351 and IC3352) on the VH TR Assy may be open, and DC voltage may be generated at the power amplifier output, which will result in "AMP ERR."

[Procedure]

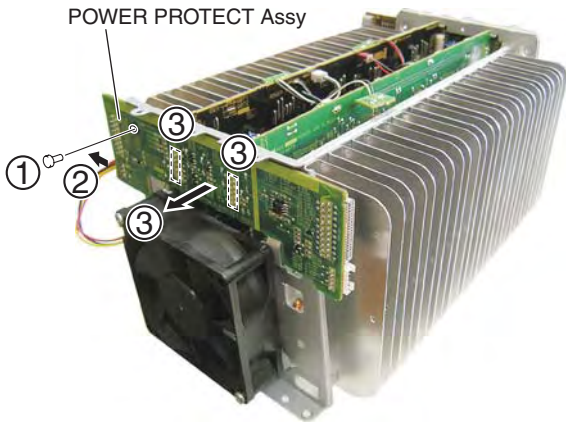
- ① Unplug the AC power cord.
- ② Discharge C3257 and C3258 on the TRANS 2-1 Assy.
Note: For discharging, use a load of 100Ω, 3W or more, to protect the IC protectors. Do NOT discharge instantly by short-circuiting.
- ③ Check that the voltage between the electrodes of each C3257 and C3258 is 1V or less.
- ④ Reassembling the Power Amp Block.



3 Replacing the Power Transistor

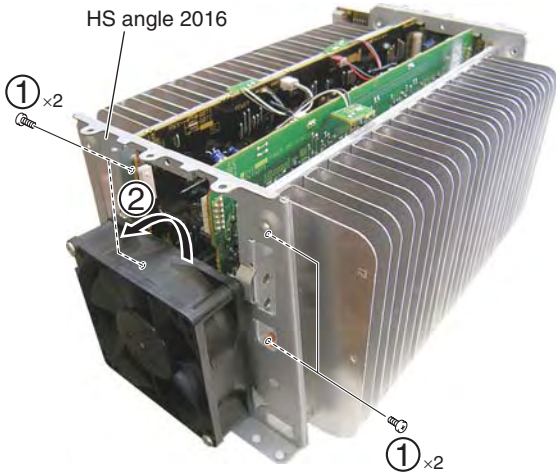
● POWER PROTECT Assy

- ① Remove the one nylon rivet.
- ② Disconnect the one connector. (VSX-1017AV only)
- ③ Remove the POWER PROTECT Assy by removing the two connectors.



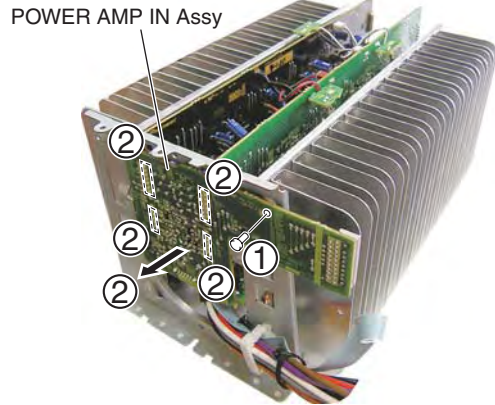
● HS Angle 2016

- ① Remove the four screws.
- ② Remove the HS angle 2016.



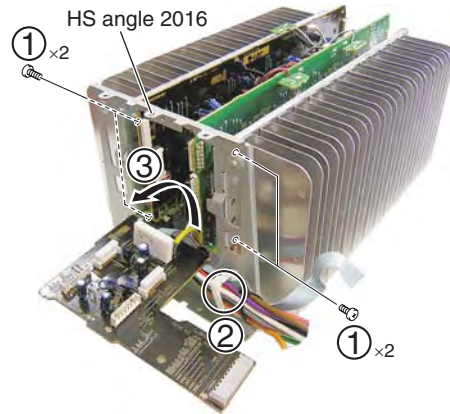
● POWER AMP IN Assy

- ① Remove the one nylon rivet.
- ② Remove the POWER AMP IN Assy by removing the four connectors.

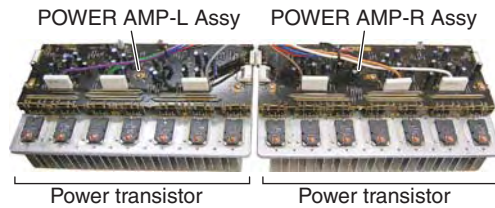


● HS Angle 2016

- ① Remove the four screws.
- ② Release the clasper.
- ③ Remove the HS angle 2016.



● Replacing the Power Transistor



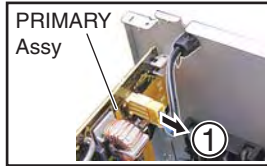
Replace



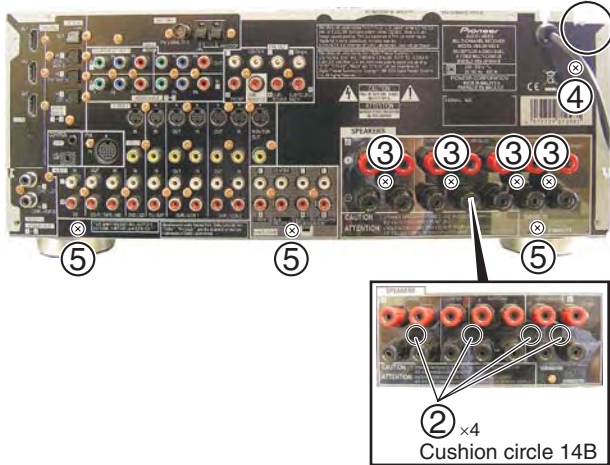
4 Replacing the AUDIO IN Assy

● Rear Panel

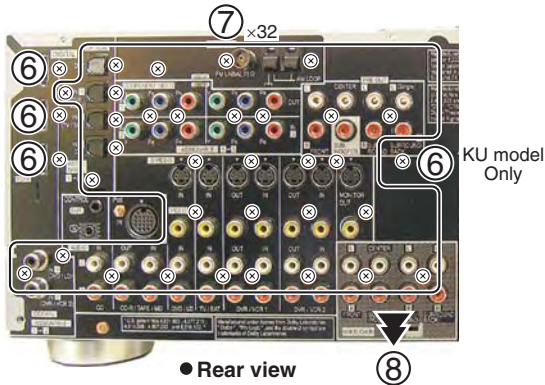
- ① Disconnect the one connector.
- ② Remove the four cushion circle 14B.
- ③ Remove the four screws.
- ④ Remove the one screw.
(KU model: Remove the three screws.)
- ⑤ Remove the three screws.



● Rear view

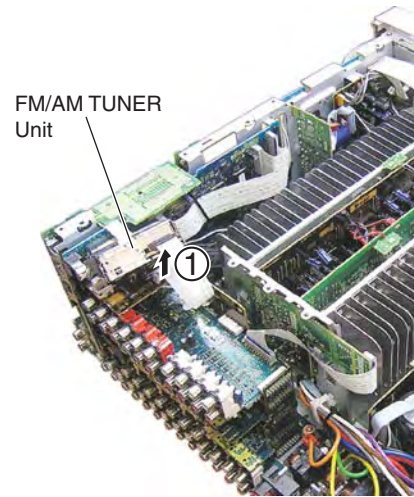


- ⑥ Remove the three screws.
(KU model : Remove the four screws.)
- ⑦ Remove the 32 screws.
(VSX-90TXV : Remove the 33 screws.)
- ⑧ Remove the rear panel.



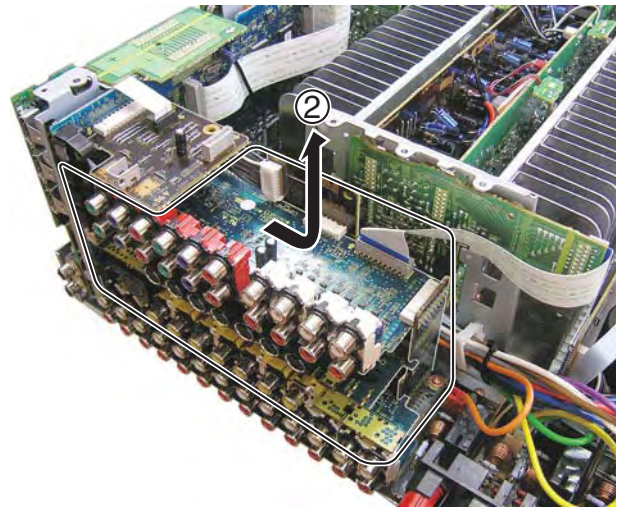
● FM/AM TUNER Unit

- ① Remove the FM/AM TUNER Unit by removing the one flexible cable.



● PCB Assys

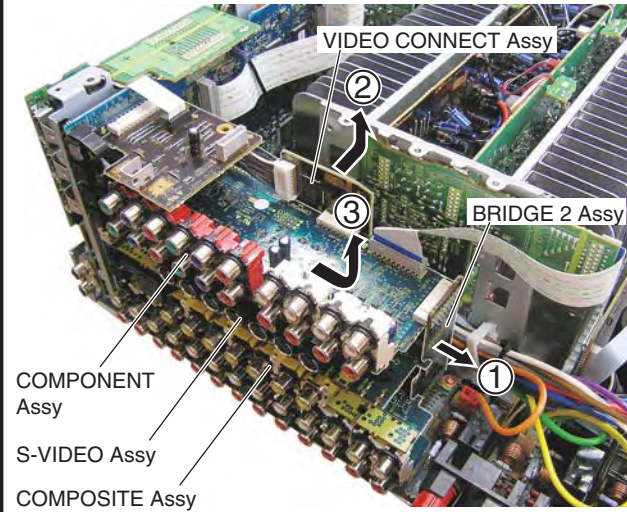
- ① Disconnect cables, connectors, as required.
- ② First remove the BRIDGE 2 Assy, then remove the COMPOSITE, S-VIDEO, COMPONENT and VIDEO CONNECT Assys.



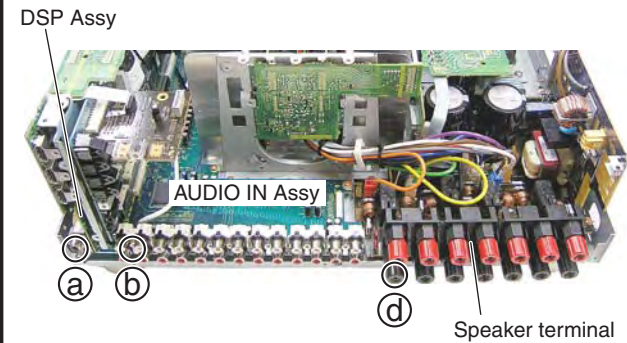
3. Diagnosis

1 Preparations

- 1 Remove the bonnet.
 - 2 Remove the rear panel.
-
- 1 Remove the BRIDGE 2 Assy.
 - 2 Remove the VIDEO CONNECT Assy.
 - 3 Remove the COMPONENT, S-VIDEO, COMPOSITE Assys.

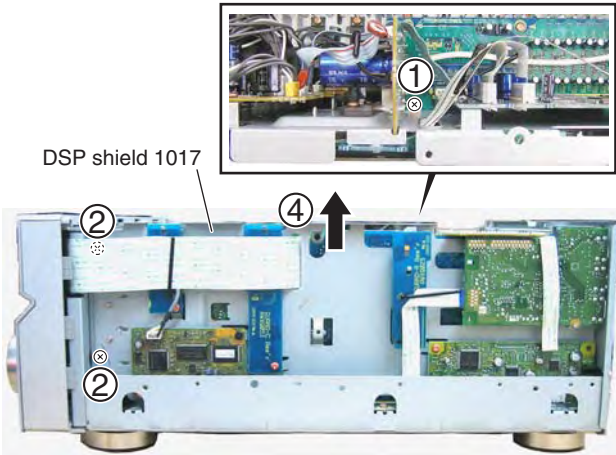


- 4 Connect the earth points to chassis as follows.
 - a Pin jack (GND) on the DSP Assy ↔ chassis
 - b Pin jack (L side GND) on the AUDIO IN Assy ↔ chassis
 - c Pin jack (Yellow GND) on the COMPOSITE Assy ↔ chassis
 - d Speaker terminal (L side black) ↔ chassis



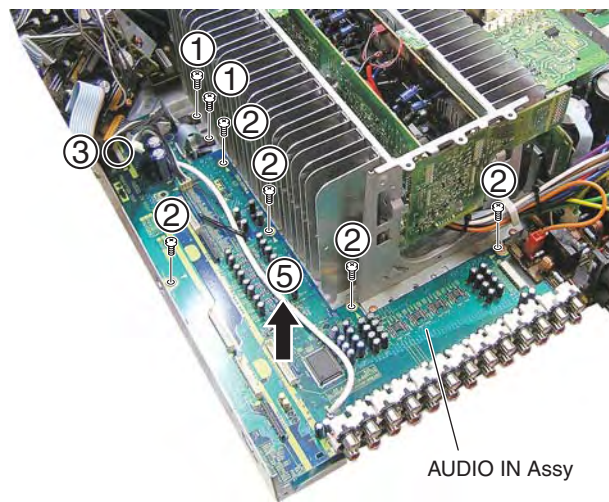
• DSP Shield Section

- 1 Remove the one screw.
- 2 Remove the two screws.
- 3 Disconnect cables, connectors, as required.
- 4 Remove the DSP shield 1017 with PCB Assemblies..



• AUDIO IN Assy

- 1 Remove the two screws.
- 2 Remove the five screws.
- 3 Release the locking card spacer.
- 4 Disconnect cables, connectors, as required.
- 5 Remove the AUDIO IN Assy.



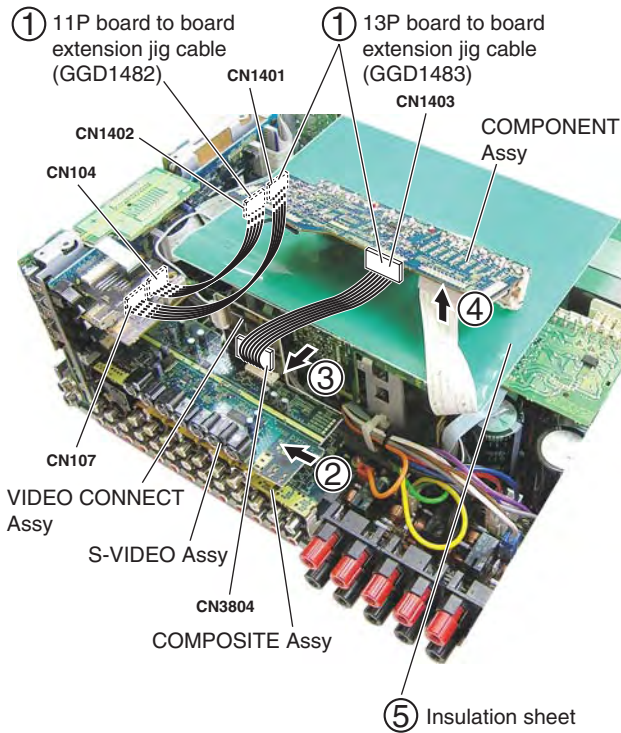
2 Diagnosis

● COMPONENT Assy

Jig cable

- 11P board to board extension jig cable (GGD1482)
- 13P board to board extension jig cable (GGD1483) ×2

- ① Connect the three extension jig cables.
- ② Reassembling the S-VIDEO and COMPOSITE Assys.
- ③ Reassembling the VIDEO CONNECT Assy.
- ④ Connect the one flexible cable.
- ⑤ Insert the insulation sheet.
- ⑥ Arrange the unit as shown in the photo below.

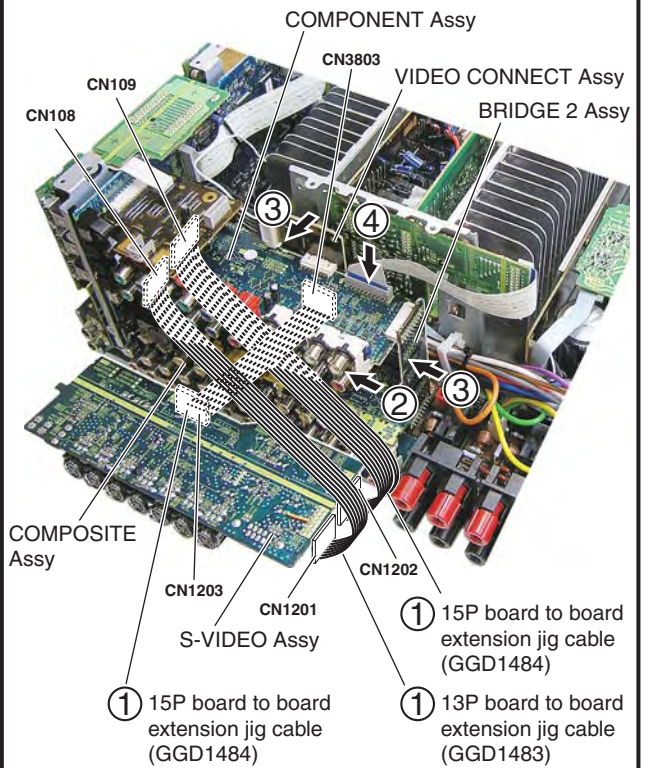


● S-VIDEO Assy

Jig cable

- 13P board to board extension jig cable (GGD1483)
- 15P board to board extension jig cable (GGD1484) ×2

- ① Connect the three extension jig cables.
- ② Reassembling the COMPONENT and COMPOSITE Assys.
- ③ Reassembling the BRIDGE 2 and VIDEO CONNECT Assys.
- ④ Connect the one flexible cable.

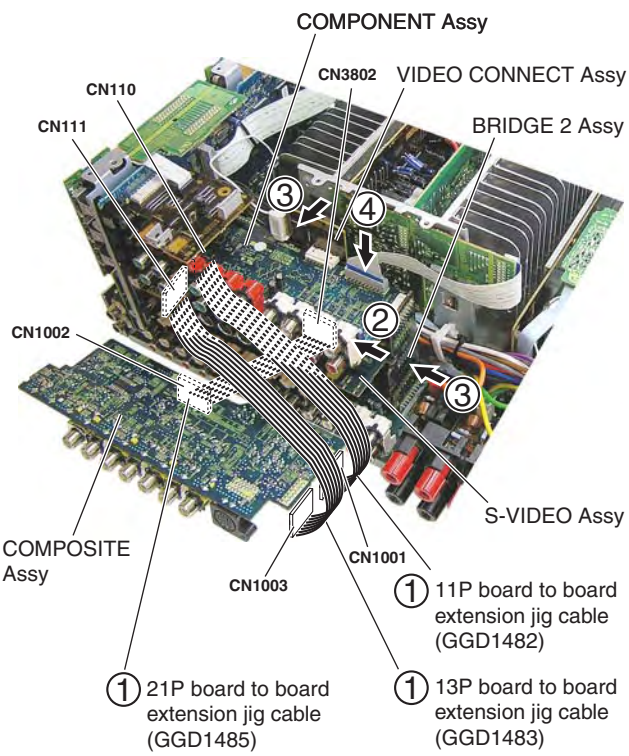


● **COMPOSITE Assy**

Jig cable

- 11P board to board extension jig cable (GGD1482)
- 13P board to board extension jig cable (GGD1483)
- 21P board to board extension jig cable (GGD1485)

- ① Connect the three extension jig cables.
- ② Reassembling the COMPONENT and S-VIDEO Assys.
- ③ Reassembling the BRIDGE 2 and VIDEO CONNECT Assys.
- ④ Connect the one flexible cable.



↓

Diagnosis

8. EACH SETTING AND ADJUSTMENT

8.1 ADJUSTMENT

- There is no information to be shown in this chapter.

8.2 HOW TO UPDATE FIRMWARE

■ USB (HY model only)

[Purpose]

Refer to this section when updating the USB firmware is required by the service information, etc. It is able to update the USB firmware by using USB flash memory.

[Necessary Tools]

- USB Flash Memory which is saved the firmware file ("player.rom" file).

Note:

In rare cases, it is not able to update the firmware depending on the type of USB flash memory. In such a case, try to use other model of USB flash memory.

[Procedures]

1. Turn on the unit then press and hold "SOUND RETRIEVER" and "ENTER" key for about 5sec.
2. "USB" is appeared on the FL display.
3. "TESTMODE" is appeared on the FL display.
4. "CORE*.***" is appeared on the FL display. (*.** : F/W version No.)
5. Connect the USB flash memory which is saved the firmware file ("player.rom" file).
6. "UPDT" is displayed on the FL display.
7. Wait until "FINISHED" is appeared on the FL display.
8. Disconnect the USB flash memory then set the function setting to anything other than USB.
9. Turn off the unit (Standby mode).

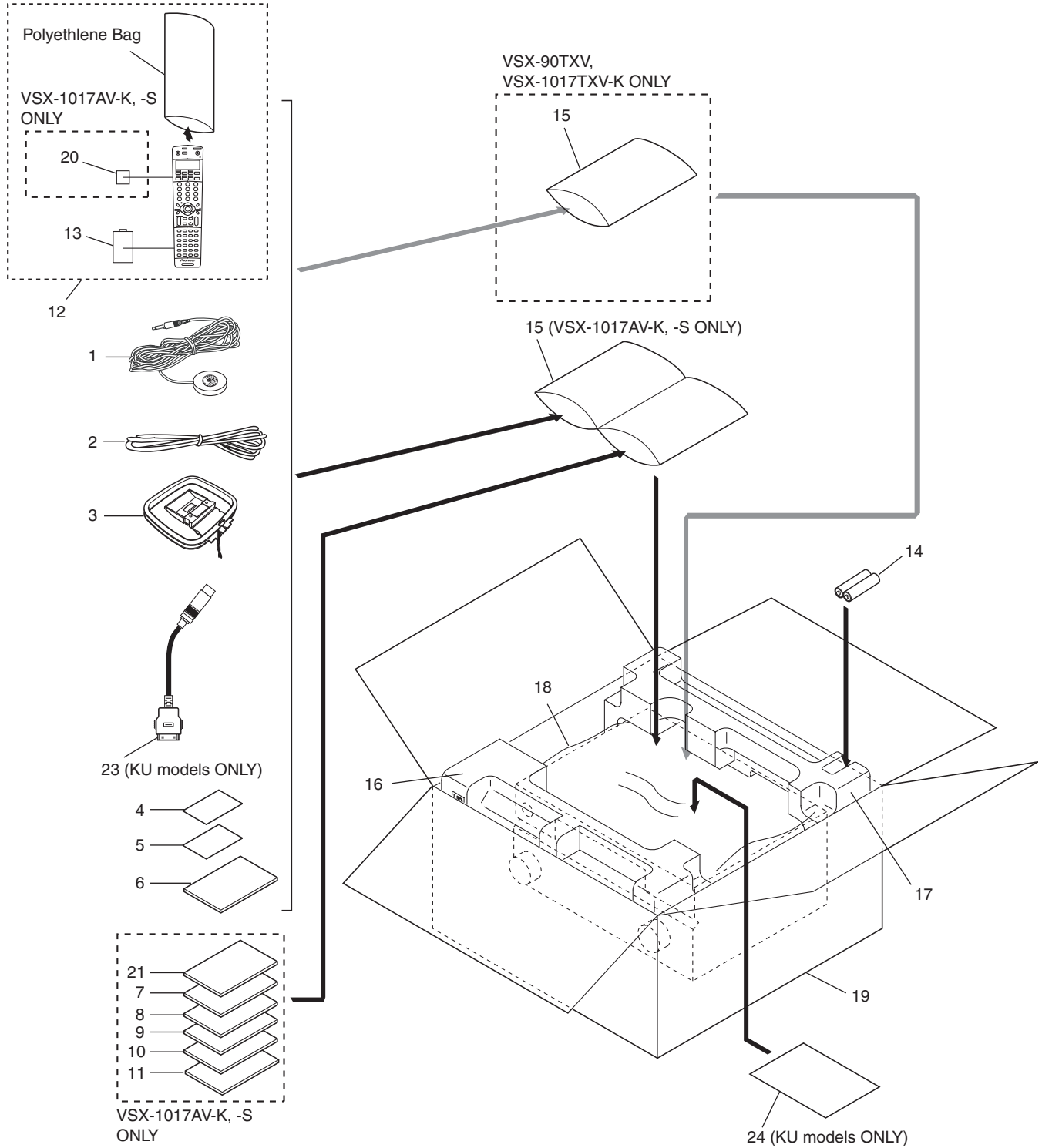
Note:

- Do NOT reconnect the USB flash memory which is saved the "player.rom" file.
- Do NOT change the function setting or turn off the power during step 5 through 7. If you do, the updating is failed and it is required to replace the USB flash ROM on the USB module.

9. EXPLODED VIEWS AND PARTS LIST

- NOTES:**
- Parts marked by "NSP" are generally unavailable because they are not in our Master Spare Parts List.
 - The \triangle mark found on some component parts indicates the importance of the safety factor of the part. Therefore, when replacing, be sure to use parts of identical designation.
 - Screws adjacent to \blacktriangledown mark on product are used for disassembly.
 - For the applying amount of lubricants or glue, follow the instructions in this manual. (In the case of no amount instructions, apply as you think it appropriate.)

9.1 PACKING



(1) PACKING SECTION PARTS LIST

<u>Mark No.</u>	<u>Description</u>	<u>Part No.</u>	<u>Mark No.</u>	<u>Description</u>	<u>Part No.</u>
1	Setup Microphone (for Auto MCACC setup)	APM7008	NSP 15	Polyethylene Bag	See Contrast table (2)
2	FM Wire Antenna	ADH7030	16	Front Pad	AHA7456
3	AM Loop Antenna	ATB7013	17	Rear Pad	AHA7457
NSP 4	Warranty Card	See Contrast table (2)	18	Packing Sheet	RHC1023
5	Caution Sheet(Spanish/English)	ARM7083	19	Packing Case	See Contrast table (2)
6	Operating Instructions (English)	See Contrast table (2)	20	LABEL (WEEE)	See Contrast table (2)
7	Operating Instructions (French)	See Contrast table (2)	21	Operating Instructions (Russian)	See Contrast table (2)
8	Operating Instructions (German)	See Contrast table (2)	22	•••••	
9	Operating Instructions (Italian)	See Contrast table (2)	23	Audio Control Cable for iPod	See Contrast table (2)
10	Operating Instructions (Spanish)	See Contrast table (2)	24	HDMI SW Caution	See Contrast table (2)
11	Operating Instructions (Dutch)	See Contrast table (2)			
12	Remote Control Unit	See Contrast table (2)			
13	Battery Cover	XZN3140			
NSP 14	Dry Cell Battery AA/LR6	VEM1031			

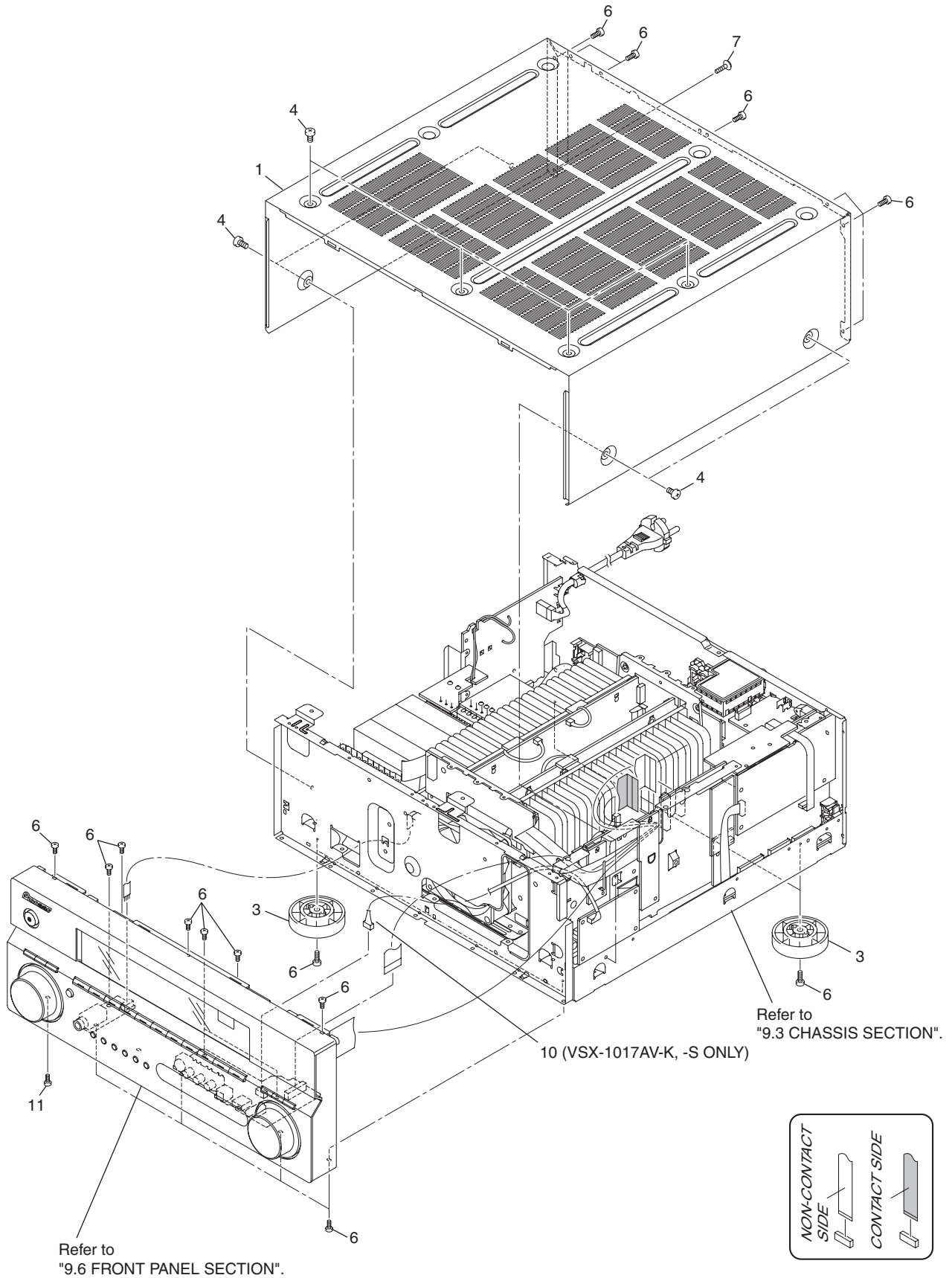
(2) CONTRAST TABLE

VSX-1017AV-K/HYXJ5, VSX-1017AV-S/HYXJ5, VSX-1017TXV-K/KUXJ and VSX-90TXV/KUXJ/CA are constructed the same except for the following:

<u>Mark</u>	<u>No.</u>	<u>Symbol and Description</u>	<u>VSX-1017AV-K/ HYXJ5</u>	<u>VSX-1017AV-S/ HYXJ5</u>	<u>VSX-1017TXV-K/ KUXJ</u>	<u>VSX-90TXV/ KUXJ/CA</u>
NSP	4	Warranty Card	ARY7065	ARY7065	ARY7045	ARY7007
	6	Operating Instructions (English)	ARB7375	ARB7375	ARB7374	ARB7373
	7	Operating Instructions (French)	ARC7736	ARC7736	Not used	Not used
	8	Operating Instructions (German)	ARC7737	ARC7737	Not used	Not used
	9	Operating Instructions (Italian)	ARC7738	ARC7738	Not used	Not used
	10	Operating Instructions (Spanish)	ARC7739	ARC7739	Not used	Not used
	11	Operating Instructions (Dutch)	ARC7740	ARC7740	Not used	Not used
	12	Remote Control Unit	AXD7495	AXD7495	AXD7494	AXD7493
NSP	15	Polyethylene Bag	AHG7132	AHG7132	AHG7117	AHG7117
	19	Packing Case 1017KHY	AHD8531	Not used	Not used	Not used
	19	Packing Case 1017SHY	Not used	AHD8532	Not used	Not used
	19	Packing Case 1017KKU	Not used	Not used	AHD8530	Not used
	19	Packing Case 90KU	Not used	Not used	Not used	AHD8529
	20	LABEL (WEEE)	ARW7322	ARW7322	Not used	Not used
	21	Operating Instructions (Russian)	ARC7768	ARC7768	Not used	Not used
	23	Audio Control Cable for iPod	Not used	Not used	XDE7025	XDE7025
	24	HDMI SW Caution KU	Not used	Not used	ARX7103	ARX7103

9.2 EXTERIOR SECTION

A
B
C
D
E
F



(1) EXTERIOR SECTION PARTS LIST

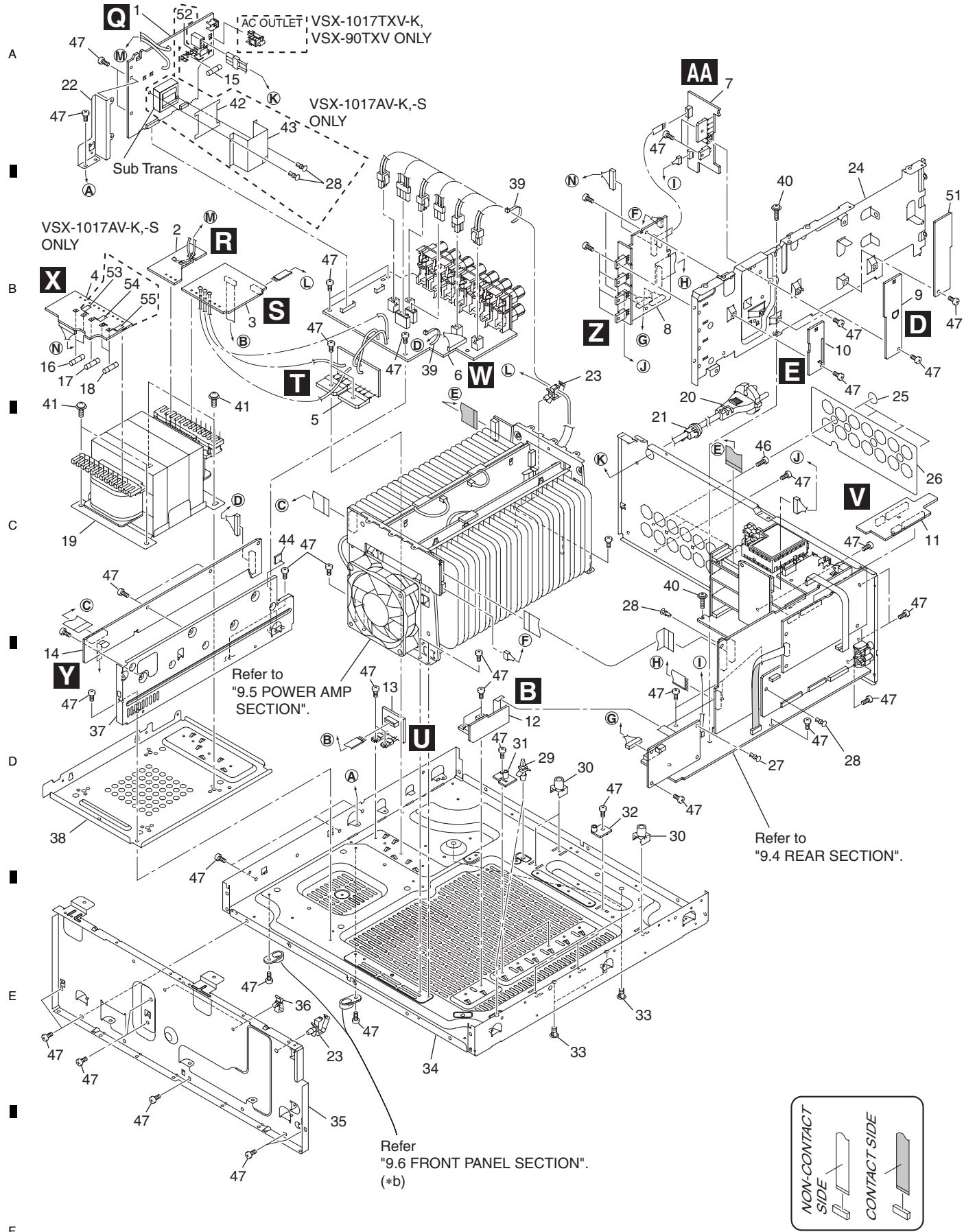
<u>Mark No.</u>	<u>Description</u>	<u>Part No.</u>	<u>Mark No.</u>	<u>Description</u>	<u>Part No.</u>
1	Bonnet	See Contrast table (2)	6	Screw	BBZ30P080FCC
2		7	Screw	IBP30P090FCC
3	Insulator	See Contrast table (2)	8	
4	Screw	See Contrast table (2)	9	
5		10	4P Shield Cable	See Contrast table (2)
			11	Screw	BBT30P080FNI

(2) CONTRAST TABLE

VSX-1017AV-K/HYXJ5, VSX-1017AV-S/HYXJ5, VSX-1017TXV-K/KUXJ and VSX-90TXV/KUXJ/CA are constructed the same except for the following:

Mark	No.	Symbol and Description	VSX-1017AV-K/ HYXJ5	VSX-1017AV-S/ HYXJ5	VSX-1017TXV-K/ KUXJ	VSX-90TXV/ KUXJ/CA
	1	Bonnet 81B	AZN8021	Not used	AZN8021	AZN8021
	1	Bonnet 2016S	Not used	AZN8020	Not used	Not used
	3	Insulator	PNW2766	PNW2766	PNW2766	AMR7198
	4	Screw	BCZ40P060FTB	BCZ40P060FNI	BCZ40P060FTB	BCZ40P060FTB
	10	4P Shield Cable	XDX3028	XDX3028	Not used	Not used

9.3 CHASSIS SECTION



(1) CHASSIS SECTION PARTS LIST

<u>Mark No.</u>	<u>Description</u>	<u>Part No.</u>	<u>Mark No.</u>	<u>Description</u>	<u>Part No.</u>
1	PRIMARY Assy	See Contrast table (2)	26	SP Sheet 2016	AEC7560
2	TRANS 1 Assy	AWX9038	27	Nyron Rivet	AEC7408
3	TRANS 2-1 Assy	See Contrast table (2)	28	Nyron Rivet	AEC7406
4	TRANS 2-2 Assy	AWX9062	29	Locking Card Spacer	PNW2917
5	DIODE 1 Assy	AWX9060	30	PCB Mold	AMR2534
6	PS/SP Assy	See Contrast table (2)	31	Inter Holder A	AMR7500
7	DC/DC Assy	AWX9015	32	Inter Holder B	AMR7501
8	LOCAL P-SUPPLY Assy	See Contrast table (2)	33	Card Spacer	DNK2769
9	GUARD-C Assy	AWX8839	NSP 34	Under Base 2016	ANA7189
10	GUARD-F Assy	AWX8838	NSP 35	Panel Stay 2016	AND7082
11	BRIDGE 1-L Assy	AWX9079	36	Side Clamp	DEC2007
12	12V-REG Assy	AWX8824	37	Under Beam V1	ANG7478
13	VH TR Assy	AWX9061	NSP 38	Trans Frame 74	ANG7539
14	TRANS SIDE Assy	AWX9056	NSP 39	Binder	ZCA-BK1
⚠ 15	Fuse (FU1)	See Contrast table (2)	40	Screw 3x15	ABA7100
⚠ 16	Fuse (FU7,FU8)	See Contrast table (2)	41	Screw 4x12	ABA7109
⚠ 17	Fuse (FU4)	See Contrast table (2)	42	Primary Barrier	See Contrast table (2)
⚠ 18	Fuse (FU5,FU6)	See Contrast table (2)	43	Shield Case	See Contrast table (2)
⚠ 19	Power Transformer (T1501)	See Contrast table (2)	44	Bridge Spacer	AEB7201
⚠ 20	AC Power Cord	See Contrast table (2)	46	Screw	BBT30P100FCC
21	Cord Stopper	See Contrast table (2)	47	Screw	BBZ30P080FCC
22	Primary Angle 56	ANG7526	51	GUARD-R Assy	AWX8840
NSP 23	Wire Saddle	DEC1450	NSP 52	Fuse Card	See Contrast table (2)
24	DSP Shield 1017	ANG7587	NSP 53	Fuse Card	See Contrast table (2)
25	Cushion Circle 14B	AED7081	NSP 54	Fuse Card	See Contrast table (2)
			NSP 55	Fuse Card	See Contrast table (2)

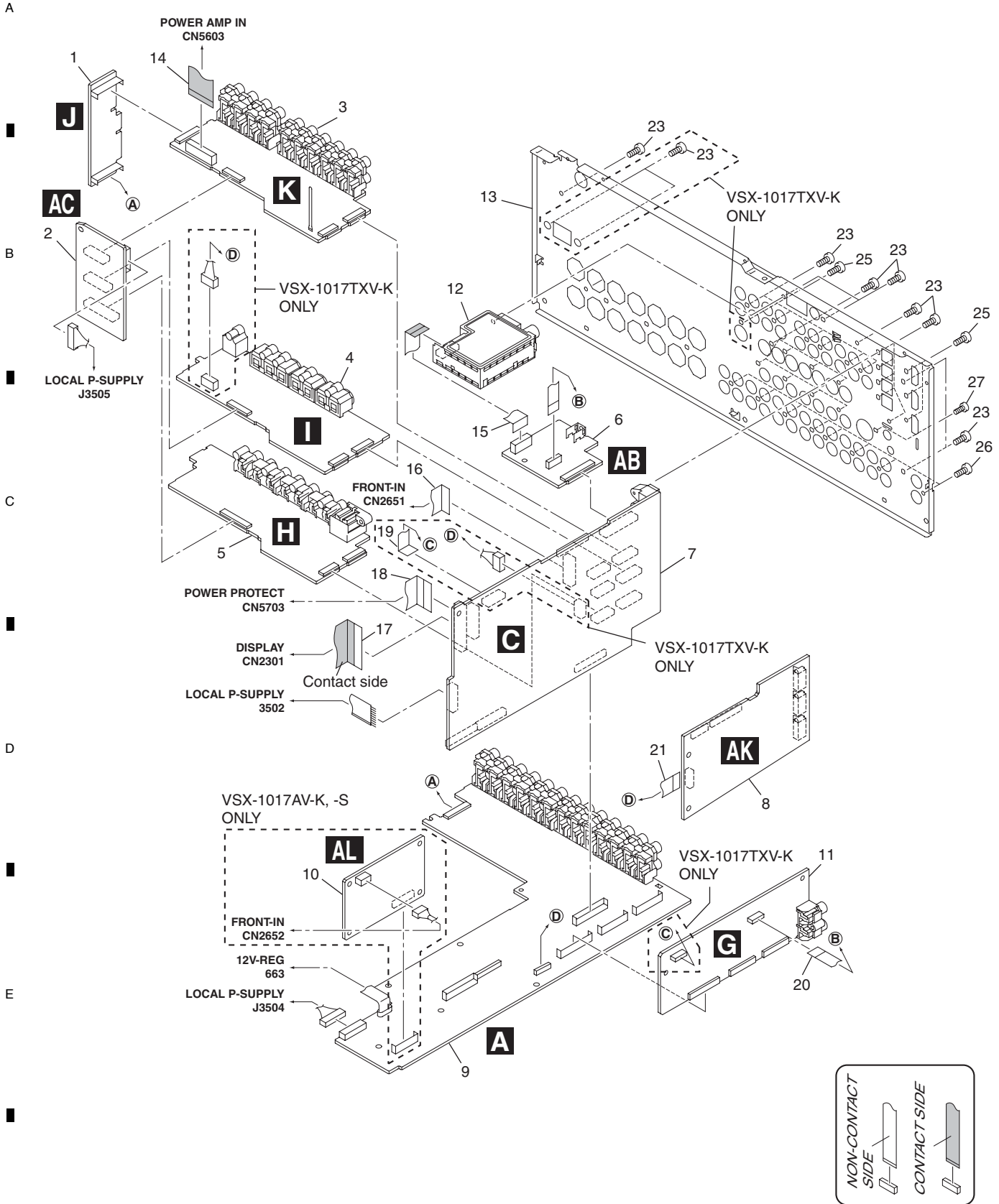
(2) CONTRAST TABLE

VSX-1017AV-K/HYXJ5, VSX-1017AV-S/HYXJ5, VSX-1017TXV-K/KUXJ and VSX-90TXV/KUXJ/CA are constructed the same except for the following:

Mark	No.	Symbol and Description	VSX-1017AV-K/ HYXJ5	VSX-1017AV-S/ HYXJ5	VSX-1017TXV-K/ KUXJ	VSX-90TXV/ KUXJ/CA
	1	PRIMARY Assy	AWX9086	AWX9086	AWX9085	AWX9085
	3	TRANS 2-1 Assy	AWX9059	AWX9059	AWX9058	AWX9058
	6	PS/SP Assy	AWX9108	AWX9108	AWX9054	AWX9054
	8	LOCAL P-SUPPLY Assy	AWX9064	AWX9064	AWX9063	AWX9063
⚠	15	Fuse (FU1: T5 A L 250 V)	REK1029	REK1029	Not used	Not used
⚠	15	Fuse (FU1: 10 A/125 V)	Not used	Not used	REK1154	REK1154
⚠	16	Fuse (FU7,FU8: T2.5 A L 250 V)	REK1026	REK1026	Not used	Not used
⚠	16	Fuse (FU7,FU8: 2.5 A/125 V)	Not used	Not used	REK1146	REK1146
⚠	17	Fuse (FU4: T4 A L 250 V)	REK1028	REK1028	Not used	Not used
⚠	17	Fuse (FU4: 5 A/125 V)	Not used	Not used	REK1067	REK1067
⚠	18	Fuse (FU5,FU6: T800 mA L 250 V)	REK1021	REK1021	Not used	Not used
⚠	18	Fuse (FU5,FU6: 1.25 A/125 V)	Not used	Not used	REK1143	REK1143
⚠	19	Power Transformer (T1501)	ATS7408	ATS7408	ATS7407	ATS7407
⚠	20	AC Power Cord	VDG1080	VDG1080	VDG1075	VDG1075
	21	Cord Stopper	CM-22B	CM-22B	CM-22C	CM-22C
	42	Primary Barrier	AEC7569	AEC7569	Not used	Not used
	43	Shield Case	AMR7526	AMR7526	Not used	Not used
NSP	52	Fuse Card	AAX7098	AAX7098	Not used	Not used
NSP	53	Fuse Card	AAX7277	AAX7277	Not used	Not used
NSP	54	Fuse Card	AAX7099	AAX7099	Not used	Not used
NSP	55	Fuse Card	AAX2367	AAX2367	Not used	Not used

9.4 REAR SECTION

• VSX-1017AV-K, -S, VSX-1017TXV-K



(1) REAR SECTION PARTS LIST

<u>Mark No.</u>	<u>Description</u>	<u>Part No.</u>	<u>Mark No.</u>	<u>Description</u>	<u>Part No.</u>
1	BRIDGE 2 Assy	AWX8850	16	17P FFC/60V (J54)	ADD7540
2	VIDEO CONNECT Assy	AWX9069	17	29P FFC/60V (J55)	ADD7532
3	COMPONENT Assy	See Contrast table (2)	18	19P FFC/60V (J56)	ADD7533
4	S-VIDEO Assy	See Contrast table (2)	19	12P FFC/60V (J52)	See Contrast table (2)
5	COMPOSITE Assy	See Contrast table (2)	20	10P FFC/60V (J51)	ADD7528
6	IR I/O Assy	See Contrast table (2)	21	9P FFC/60V (J53)	ADD7547
7	MAIN CONTROL Assy	See Contrast table (2)	23	Screw	BBZ30P080FCC
8	HDMI & DVC Assy	AWQ7039	25	Screw	PMZ30P060FCC
9	AUDIO IN Assy	See Contrast table (2)	26	Screw	BBT30P080FNI
10	USB Assy	See Contrast table (2)	27	Screw	BBZ26P080FCC
11	DSP Assy	See Contrast table (2)			
12	FM/AM Tuner Unit	See Contrast table (2)			
13	Rear Panel	See Contrast table (2)			
14	19P FFC/60V (J58)	ADD7535			
15	11P FFC/60V (J59)	ADD7536			

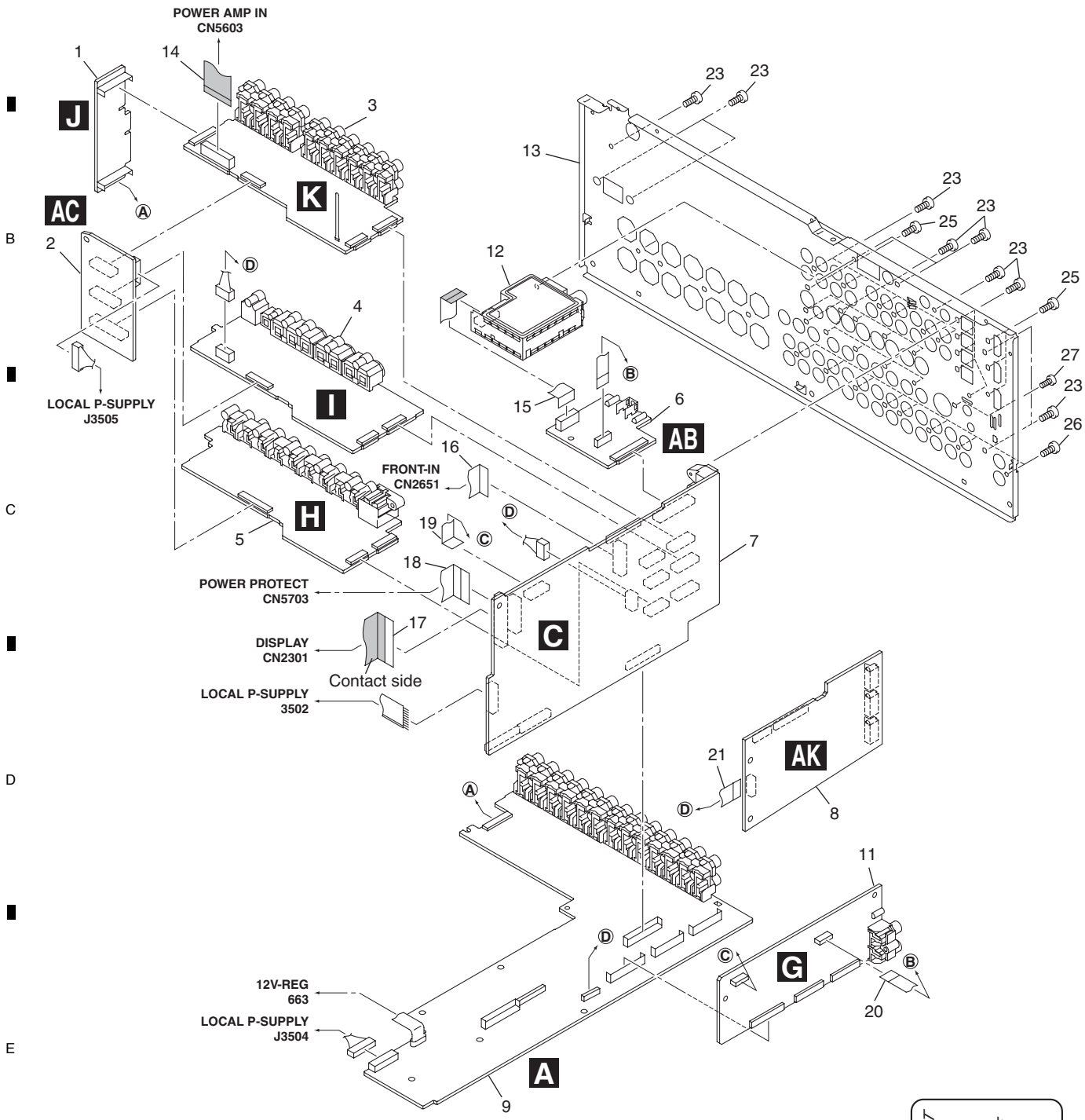
(2) CONTRAST TABLE

VSX-1017AV-K/HYXJ5, VSX-1017AV-S/HYXJ5 and VSX-1017TXV-K/KUXJ are constructed the same except for the following:

Mark	No.	Symbol and Description	VSX-1017AV-K/ HYXJ5	VSX-1017AV-S/ HYXJ5	VSX-1017TXV-K/ KUXJ
	3	COMPONENT Assy	AWX8862	AWX8862	AWX8860
	4	S-VIDEO Assy	AWX8858	AWX8858	AWX8856
	5	COMPOSITE Assy	AWX8854	AWX8854	AWX8852
	6	IR I/O Assy	AWX9067	AWX9067	AWX9101
	7	MAIN CONTROL Assy	AWX8829	AWX8829	AWX8827
	9	AUDIO IN Assy	AWX8834	AWX8834	AWX8832
	10	USB Assy	AWX8866	AWX8866	Not used
	11	DSP Assy	AWX8806	AWX8806	AWX8805
	12	FM/AM Tuner Unit	AXX7248	AXX7248	AXX7250
	13	Rear Panel 1017KHY	ANC8475	Not used	Not used
	13	Rear Panel 1017SHY	Not used	ANC8476	Not used
	13	Rear Panel 1017KKU	Not used	Not used	ANC8474
	19	12P FFC/60V (J52)	Not used	Not used	ADD7529

• VSX-90TXV

A



B

C

D

E

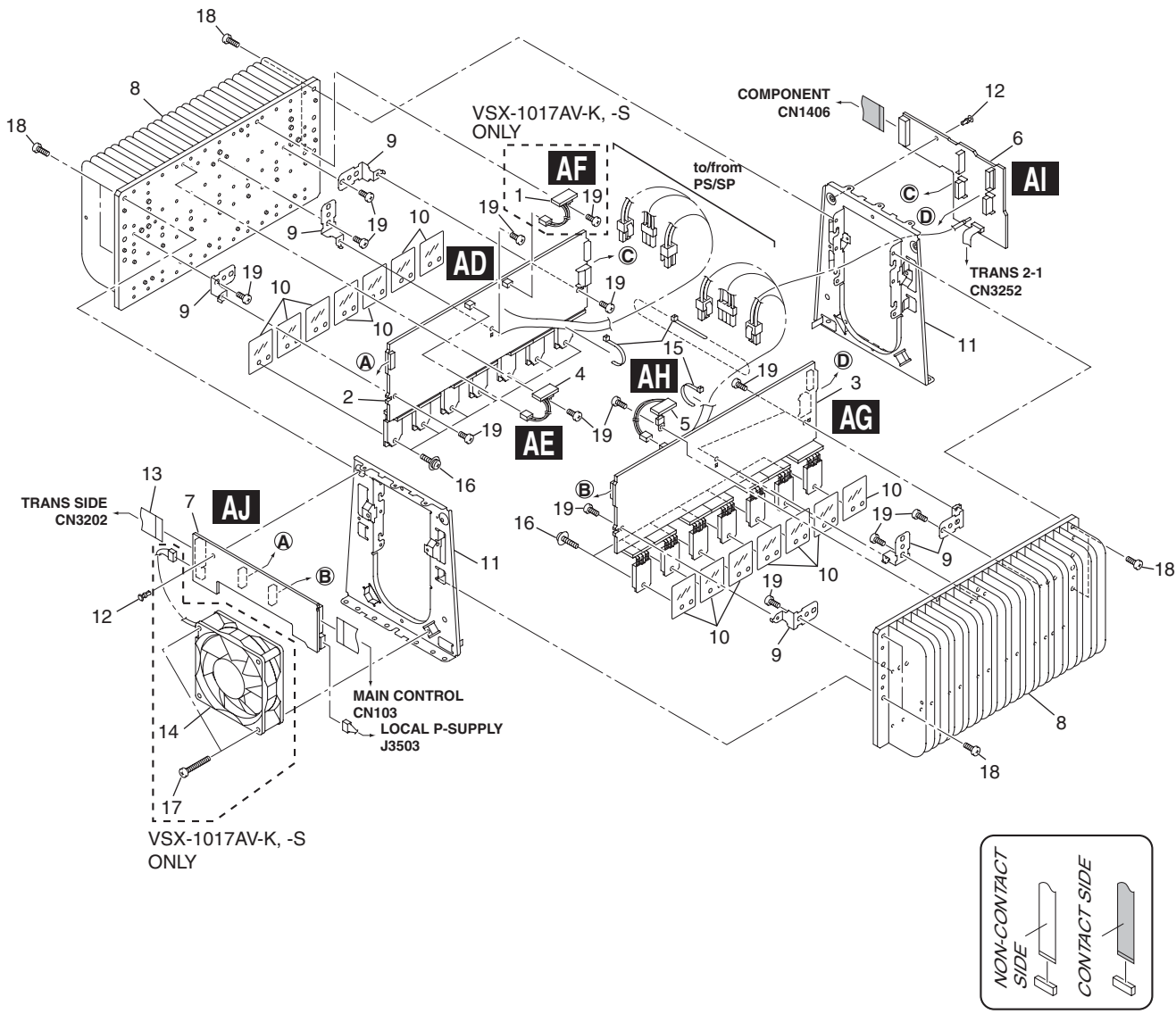
F

(1) REAR SECTION PARTS LIST

<u>Mark No.</u>	<u>Description</u>	<u>Part No.</u>	
1	BRIDGE 2 Assy	AWX8850	
2	VIDEO CONNECT Assy	AWX9069	A
3	COMPONENT Assy	AWX8860	
4	S-VIDEO Assy	AWX8857	
5	COMPOSITE Assy	AWX8853	
6	IR I/O Assy	AWX9066	
7	MAIN CONTROL Assy	AWX8828	
8	HDMI & DVC Assy	AWQ7039	
9	AUDIO IN Assy	AWX8833	
10		
11	DSP Assy	AWX8805	B
12	FM/AM Tuner Unit	AXX7250	
13	Rear Panel 90KU	ANC8473	
14	19P FFC/60V (J58)	ADD7535	
15	11P FFC/60V (J59)	ADD7536	
16	17P FFC/60V (J54)	ADD7540	
17	29P FFC/60V (J55)	ADD7532	
18	19P FFC/60V (J56)	ADD7533	
19	12P FFC/60V (J52)	ADD7529	
20	10P FFC/60V (J51)	ADD7528	
21	9P FFC/60V (J53)	ADD7547	C
22		
23	Screw	BBZ30P080FCC	
24		
25	Screw	PMZ30P060FCC	
26	Screw	BBT30P080FNI	
27	Screw	BBZ26P080FCC	

9.5 POWER AMP SECTION

A
B
C
D
E
F



(1) POWER AMP SECTION PARTS LIST

<u>Mark No.</u>	<u>Description</u>	<u>Part No.</u>	<u>Mark No.</u>	<u>Description</u>	<u>Part No.</u>
1	POSI 2-L Assy	See Contrast table (2)	11	H.S. Angle 2016	ANG7547
2	POWER AMP-L Assy	See Contrast table (2)	12	Nyron Rivet	AEC7408
3	POWER AMP-R Assy	See Contrast table (2)	13	17P FFC/60V (J57)	ADD7534
4	POSI 1-L Assy	See Contrast table (2)	⚠ 14	DC Fan Motor	See Contrast table (2)
5	POSI 1-R Assy	See Contrast table (2)	NSP 15	Binder	ZCA-BK1
6	POWER AMP IN Assy	AWX9075	16	Screw 3X19	ABA7085
7	POWER PROTECT Assy	See Contrast table (2)	17	Screw	See Contrast table (2)
NSP 8	Heat Sink 45	ANH7152	18	Screw	BBT30P100FCC
9	PCB Angle 45	ANG7406	20	Screw	BBZ30P080FCC
10	Mica Sheet 45	AEE7047			

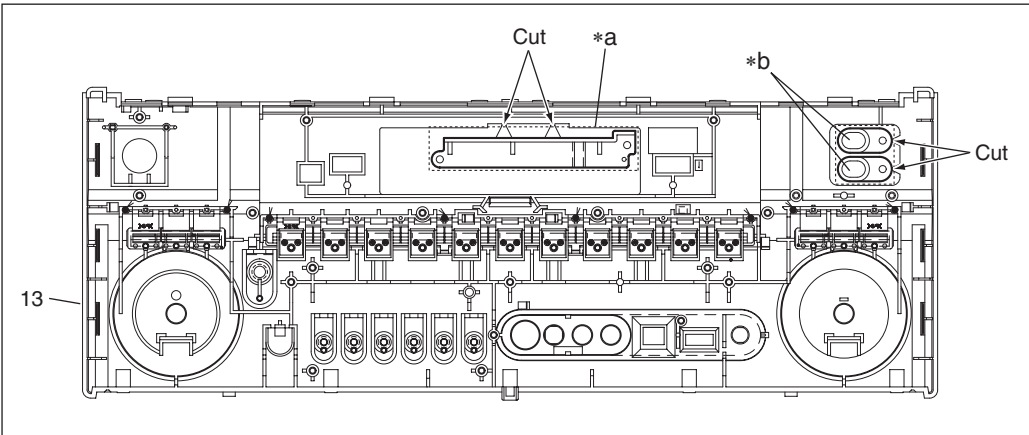
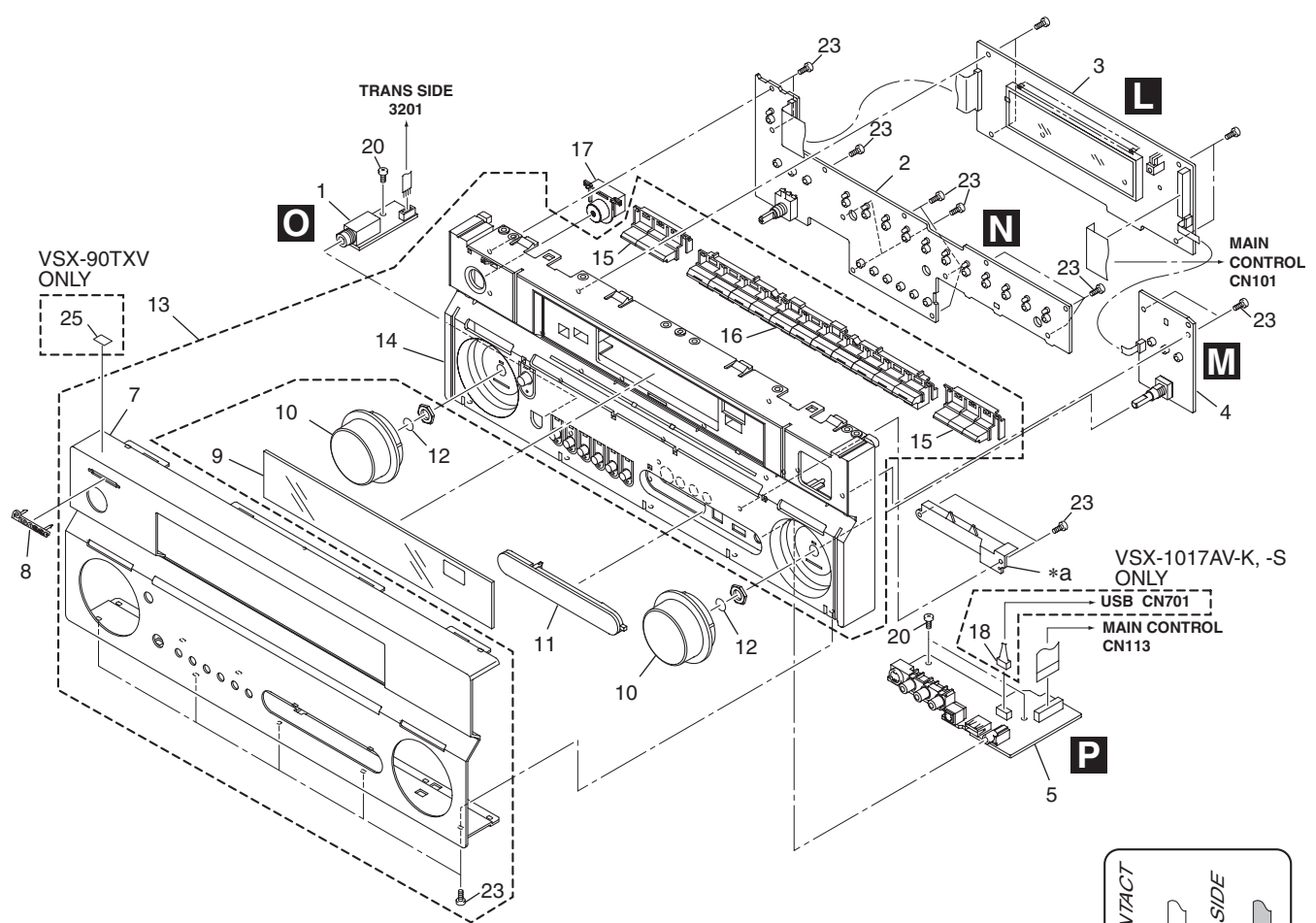
(2) CONTRAST TABLE

VSX-1017AV-K/HYXJ5, VSX-1017AV-S/HYXJ5, VSX-1017TXV-K/KUXJ and VSX-90TXV/KUXJ/CA are constructed the same except for the following:

<u>Mark</u>	<u>No.</u>	<u>Symbol and Description</u>	<u>VSX-1017AV-K/ HYXJ5</u>	<u>VSX-1017AV-S/ HYXJ5</u>	<u>VSX-1017TXV-K/ KUXJ</u>	<u>VSX-90TXV/ KUXJ/CA</u>
	1	POSI 2-L Assy	AWX9082	AWX9082	Not used	Not used
	2	POWER AMP-L Assy	AWX9072	AWX9072	AWX9071	AWX9071
	3	POWER AMP-R Assy	AWX9073	AWX9073	AWX9106	AWX9106
	4	POSI 1-L Assy	AWX9081	AWX9081	AWX9080	AWX9080
	5	POSI 1-R Assy	AWX9084	AWX9084	AWX9083	AWX9083
	7	POWER PROTECT Assy	AWX9077	AWX9077	AWX9076	AWX9076
⚠	14	DC Fan Motor	AXM7029	AXM7029	Not used	Not used
	17	Screw	BBZ30P300FTC	BBZ30P300FTC	Not used	Not used

9.6 FRONT PANEL SECTION

A
B
C
D
E
F



(1) FRONT PANEL SECTION PARTS LIST

<u>Mark No.</u>	<u>Description</u>	<u>Part No.</u>	<u>Mark No.</u>	<u>Description</u>	<u>Part No.</u>
1	HEADPHONE Assy	AWX9049	NSP 12	C Ring	XBH3016
2	MULTI JOG Assy	See Contrast table (2)	13	Panel Assy	See Contrast table (2)
3	DISPLAY Assy	See Contrast table (2)	NSP 14	P Base	See Contrast table (2)
4	VOLUME Assy	See Contrast table (2)	NSP 15	Side Button	See Contrast table (2)
5	FRONT-IN Assy	See Contrast table (2)	NSP 16	Func BTN Assy	See Contrast table (2)
NSP 7	F Panel	See Contrast table (2)	17	Standby BTN Assy	See Contrast table (2)
8	Pioneer Name Plate	See Contrast table (2)	18	4P Shield Cable (J61)	See Contrast table (2)
9	Window	See Contrast table (2)	20	Screw	BBZ30P080FCC
10	Vol. Knob	See Contrast table (2)	23	Screw	PPZ30P080FNI
11	Input Cover	See Contrast table (2)	NSP 25	Energy Star Label	See Contrast table (2)

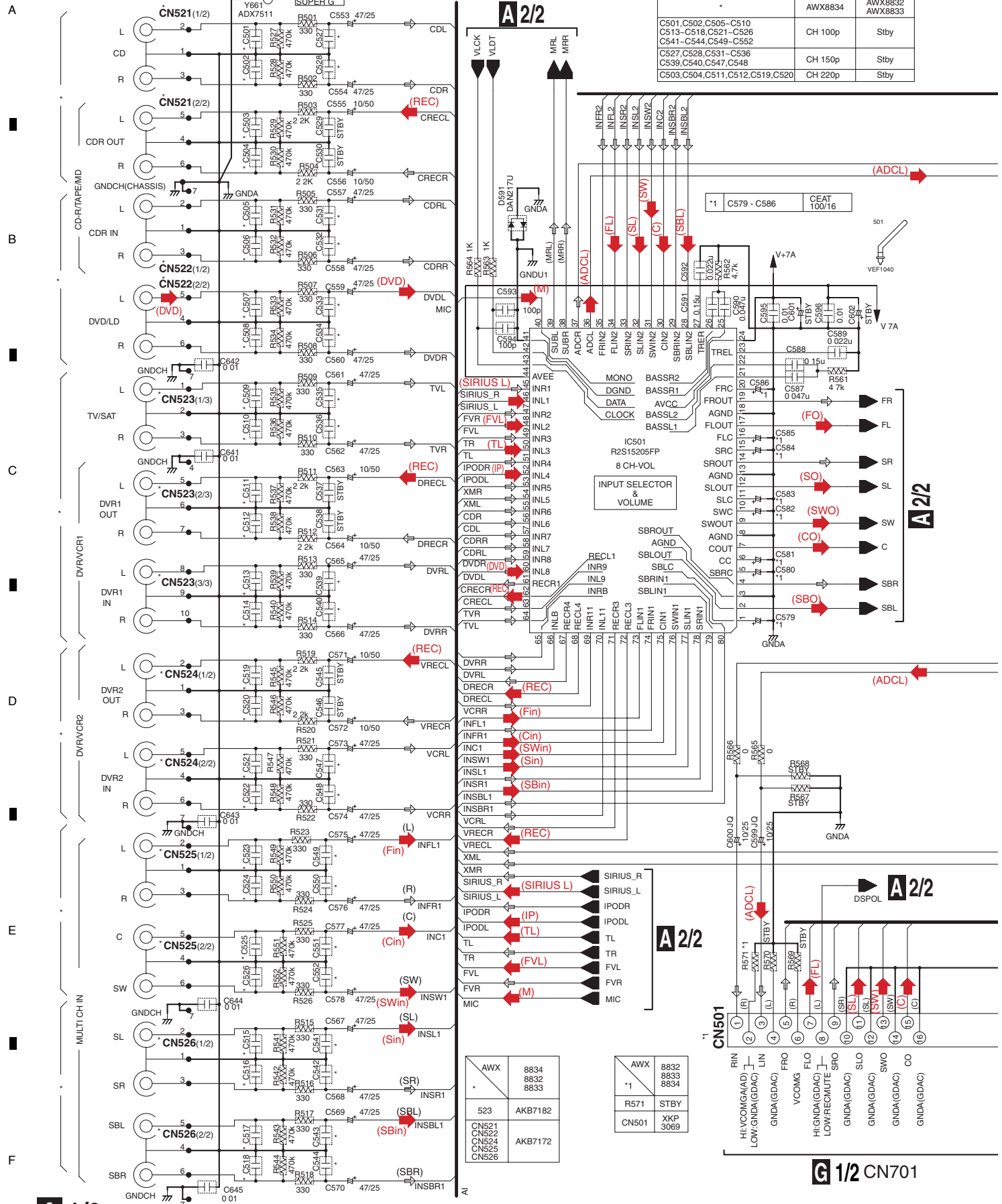
(2) CONTRAST TABLE

VSX-1017AV-K/HYXJ5, VSX-1017AV-S/HYXJ5, VSX-1017TXV-K/KUXJ and VSX-90TXV/KUXJ/CA are constructed the same except for the following:

<u>Mark</u>	<u>No.</u>	<u>Symbol and Description</u>	<u>VSX-1017AV-K/ HYXJ5</u>	<u>VSX-1017AV-S/ HYXJ5</u>	<u>VSX-1017TXV-K/ KUXJ</u>	<u>VSX-90TXV/ KUXJ/CA</u>	
NSP	2	MULTI JOG Assy	AWX8881	AWX8882	AWX8881	AWX8881	
	3	DISPLAY Assy	AWX8878	AWX8878	AWX8876	AWX8877	
	4	VOLUME Assy	AWX9044	AWX9111	AWX9044	AWX9044	
	5	FRONT-IN Assy	AWX8955	AWX8955	AWX8954	AWX8954	
	7	F Panel 1017KHY	AMB7958	Not used	Not used	Not used	
NSP	7	F Panel 1017SHY	Not used	AMB7959	Not used	Not used	
NSP	7	F Panel 1017KKU	Not used	Not used	AMB7957	Not used	
NSP	7	F Panel 90KU	Not used	Not used	Not used	AMB7956	
	8	Pioneer Name Plate	XAM3006	VAM1129	XAM3006	VAM1109	
	9	Window 1017HY	AAK8385	AAK8385	Not used	Not used	
	9	Window 1017KU	Not used	Not used	AAK8384	Not used	
	9	Window 90KU	Not used	Not used	Not used	AAK8383	
	10	Vol. Knob 1017B	AAA7049	Not used	AAA7049	AAA7049	
	10	Vol. Knob 1017S	Not used	AAA7048	Not used	Not used	
	11	Input Cover V3K	XAK3532	Not used	Not used	Not used	
	11	Input Cover SN	Not used	XAK3589	Not used	Not used	
	11	Input Cover 81K	Not used	Not used	Not used	AAK8355	
	13	Panel 1017KHY Assy	AXG7340	Not used	Not used	Not used	
	13	Panel 1017SHY Assy	Not used	AXG7341	Not used	Not used	
13	Panel 1017KKU Assy	Not used	Not used	AXG7339	Not used		
NSP	13	Panel 90KU Assy	Not used	Not used	Not used	AXG7338	
	14	P Base 1016KPW	AMB7926	Not used	Not used	Not used	
	NSP	14	P Base 2016SHY	Not used	AMB7920	Not used	Not used
	NSP	14	P Base 9110KKU	Not used	Not used	AMB7921	Not used
	NSP	14	P Base 81KKU	Not used	Not used	Not used	AMB7919
NSP	15	Side Button K	AAD7761	Not used	AAD7761	AAD7761	
NSP	15	Side Button SN	Not used	AAD7784	Not used	Not used	
NSP	16	Func BTN K Assy	AAD7758	Not used	AAD7758	AAD7758	
NSP	16	Func BTN S Assy	Not used	AAD7757	Not used	Not used	
	17	Standby BTN 915K Assy	XAD3216	Not used	XAD3216	XAD3216	
	17	Standby BTN 915P Assy	Not used	XAD3217	Not used	Not used	
	18	4P Shield Cable (J61)	XDX3028	XDX3028	Not used	Not used	
NSP	25	Energy Star Label	Not used	Not used	Not used	AAX8022	

10. SCHEMATIC DIAGRAM

10.1 AUDIO IN ASSY (1/2)



C501, C502, C505 - C510	AWX8834	AWX8832
C513 - C518, C521 - C526	CH 100p	Stby
C541 - C544, C549 - C552		
C527, C528, C531 - C536	CH 150p	Stby
C539, C540, C547, C548		
C503, C504, C511, C512, C519, C520	CH 220p	Stby

*1 C579 - C586	CEAT 100/16
----------------	-------------

AWX	8834	AKB7182
	8832	
	8833	
523	AKB7172	
CN521		
CN522		
CN524		
CN525		
CN526		

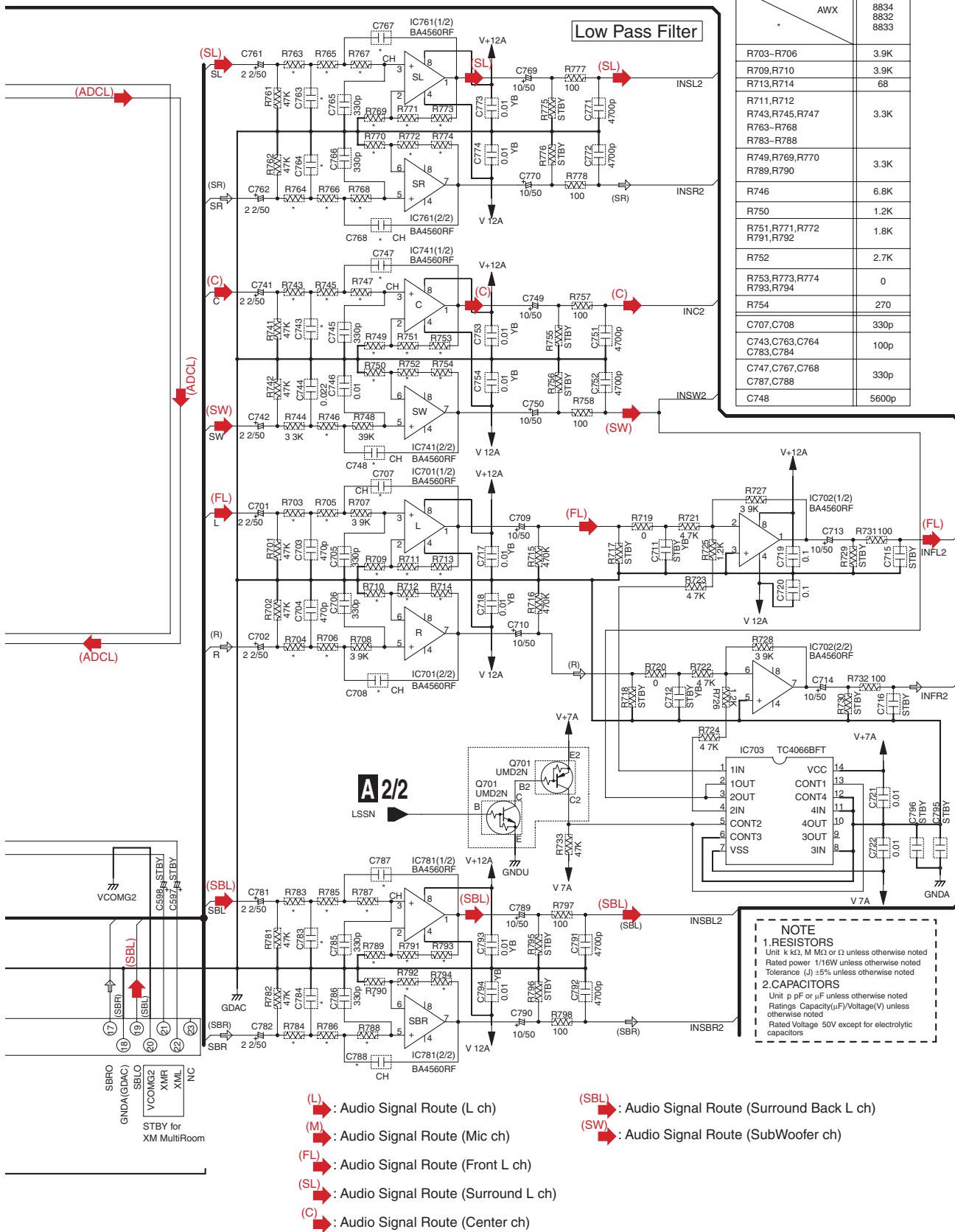
AWX	8832
	8833
	8834
*1	STBY
R571	XKP 3069

G 1/2 CN701

A 1/2

A 1/2 AUDIO IN ASSY

(VSX-1017AV-K, VSX-1017AV-S : AWX8834)
 (VSX-1017TXV-K : AWX8832)
 (VSX-90TXV : AWX8833)



AWX	8834 8832 8833
R703-R706	3.9K
R709,R710	3.9K
R713,R714	68
R711,R712 R743,R745,R747 R763-R768 R783-R788	3.3K
R749,R769,R770 R789,R790	3.3K
R746	6.8K
R750	1.2K
R751,R771,R772 R791,R792	1.8K
R752	2.7K
R753,R773,R774 R793,R794	0
R754	270
C707,C708	330p
C743,C763,C764 C783,C784	100p
C747,C767,C768 C787,C788	330p
C748	5600p

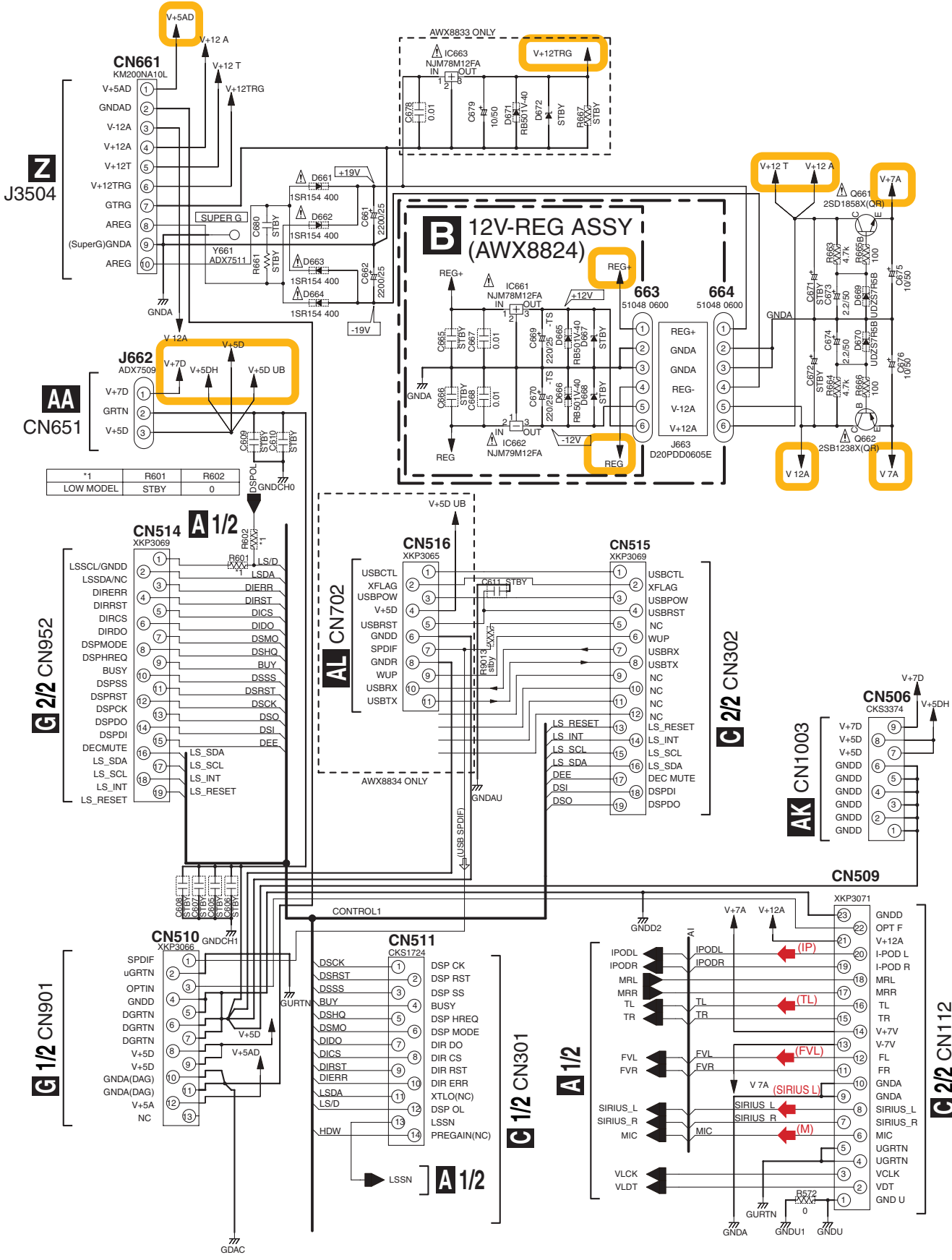
NOTE
 1. RESISTORS
 Unit: k Ω, M Ω or Ω unless otherwise noted
 Rated power: 1/16W unless otherwise noted
 Tolerance: (J) ±5% unless otherwise noted
 2. CAPACITORS
 Unit: pF or μF unless otherwise noted
 Ratings: Capacity(μF)/Voltage(V) unless otherwise noted
 Rated Voltage: 50V except for electrolytic capacitors

- (L) : Audio Signal Route (L ch)
- (M) : Audio Signal Route (Mic ch)
- (FL) : Audio Signal Route (Front L ch)
- (SL) : Audio Signal Route (Surround L ch)
- (C) : Audio Signal Route (Center ch)
- (SBL) : Audio Signal Route (Surround Back L ch)
- (SW) : Audio Signal Route (SubWoofer ch)

10.2 AUDIO IN (2/2) and 12V-REG ASSYS

A
B
C
D
E
F

1 2 3 4



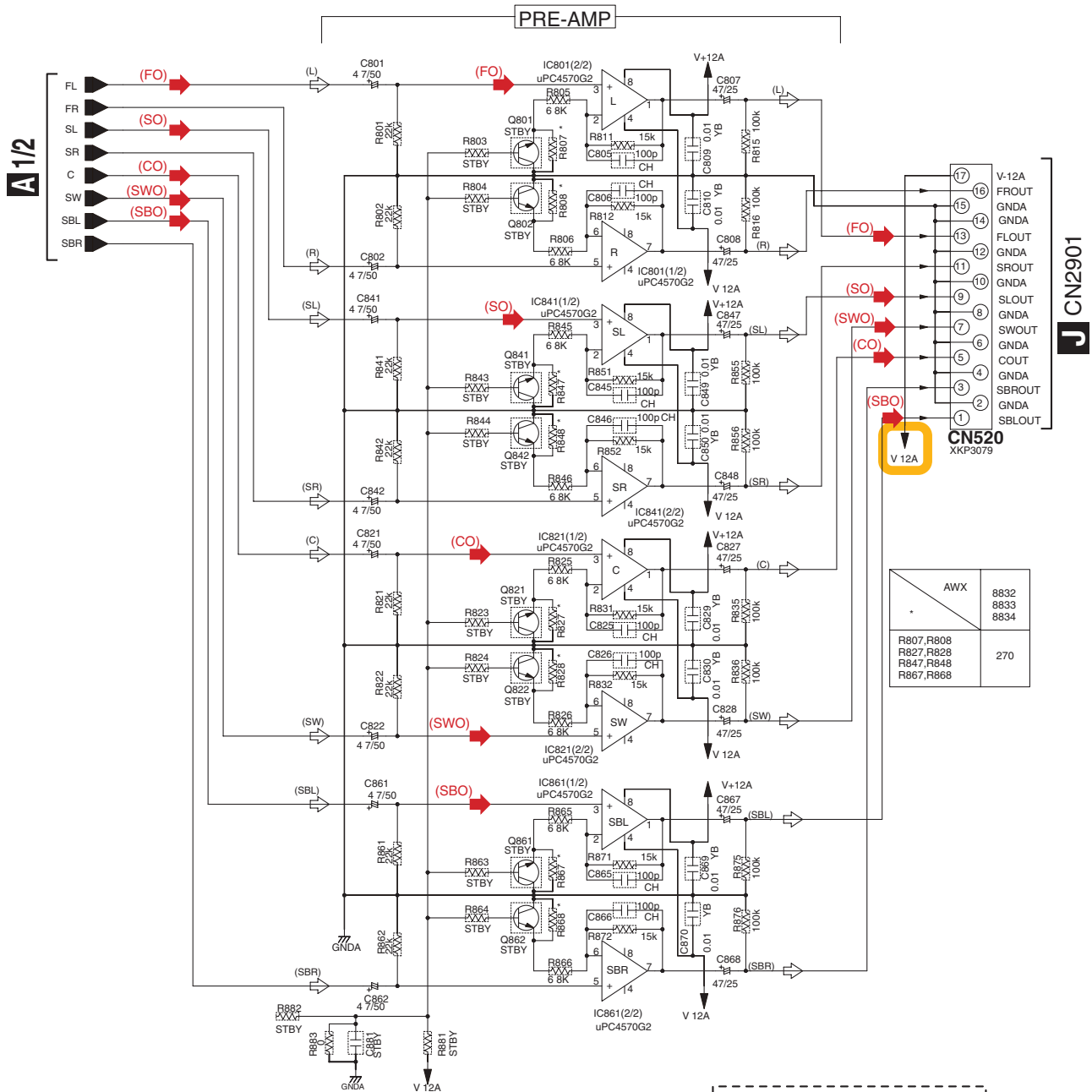
A 2/2 **B**

VSX-1017AV-K

1 2 3 4

A 2/2 AUDIO IN ASSY

(VSX-1017AV-K, VSX-1017AV-S : AWX8834)
 (VSX-1017TXV-K : AWX8832)
 (VSX-90TXV : AWX8833)



AWX	8832
	8833
	8834
R807, R808	270
R827, R828	
R847, R848	
R867, R868	

NOTE

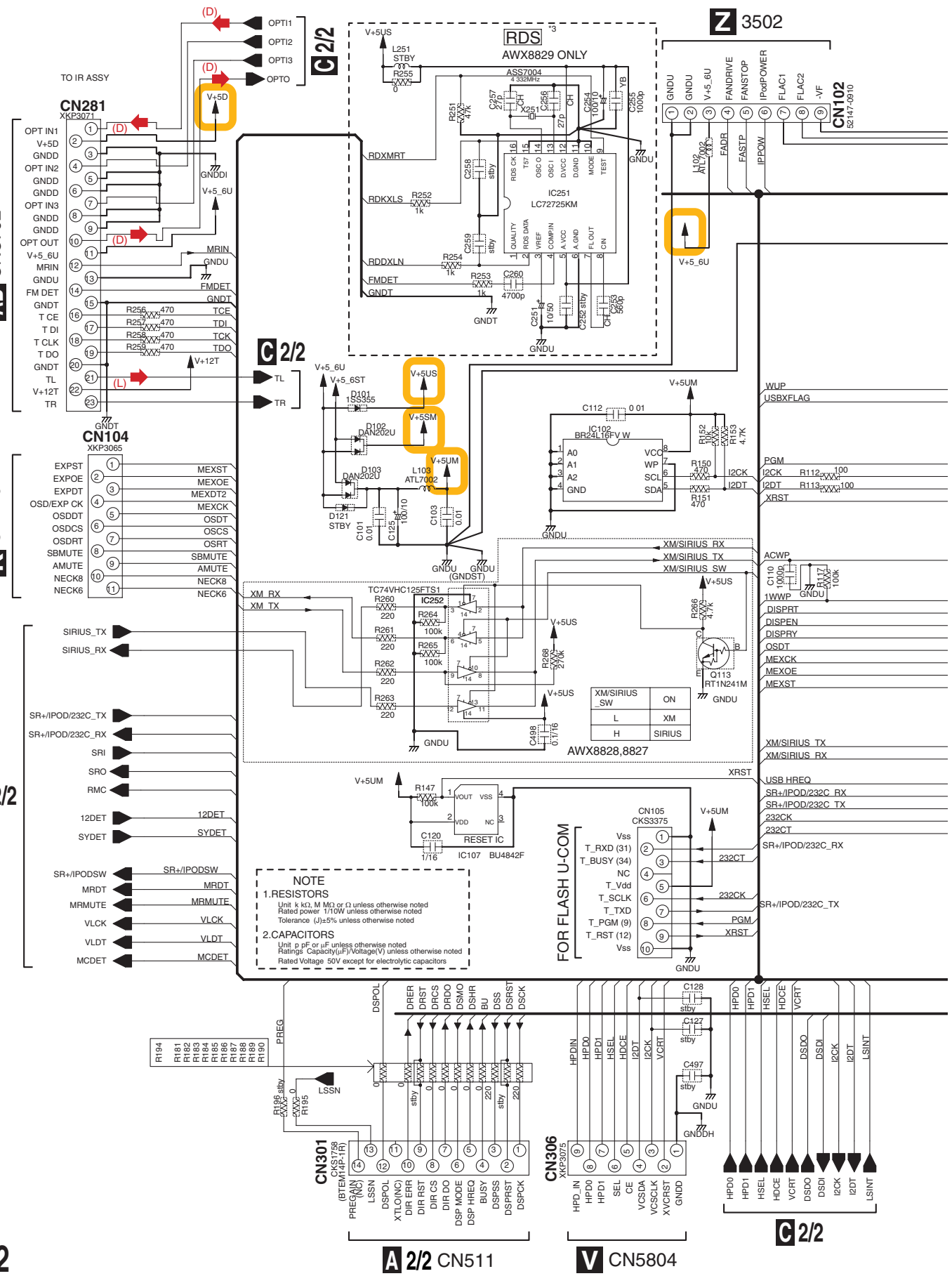
1. RESISTORS
 Unit: k, M, Ω unless otherwise noted
 Rated power: 1/16W unless otherwise noted
 Tolerance (J): ±5% unless otherwise noted

2. CAPACITORS
 Unit: p, μF unless otherwise noted
 Ratings: Capacitance (μF)/Voltage (V) unless otherwise noted
 Rated Voltage: 50V except for electrolytic capacitors

- (L) : Audio Signal Route (L ch)
- (M) : Audio Signal Route (Mic ch)
- (FL) : Audio Signal Route (Front L ch)
- (SL) : Audio Signal Route (Surround L ch)
- (C) : Audio Signal Route (Center ch)
- (SBL) : Audio Signal Route (Surround Back L ch)
- (SW) : Audio Signal Route (SubWoofer ch)

10.3 MAIN CONTROL ASSY (1/2)

A
B
C
D
E
F



NOTE

- RESISTORS**
Unit: k, M, Ω unless otherwise noted
Rated power: 1/10W unless otherwise noted
Tolerance: (J)±5% unless otherwise noted
- CAPACITORS**
Unit: p, nF or μF unless otherwise noted
Ratings: Capacity (μF)/Voltage (V) unless otherwise noted
Rated Voltage: 50V except for electrolytic capacitors

G 1/2

A 2/2 CN511

V CN5804

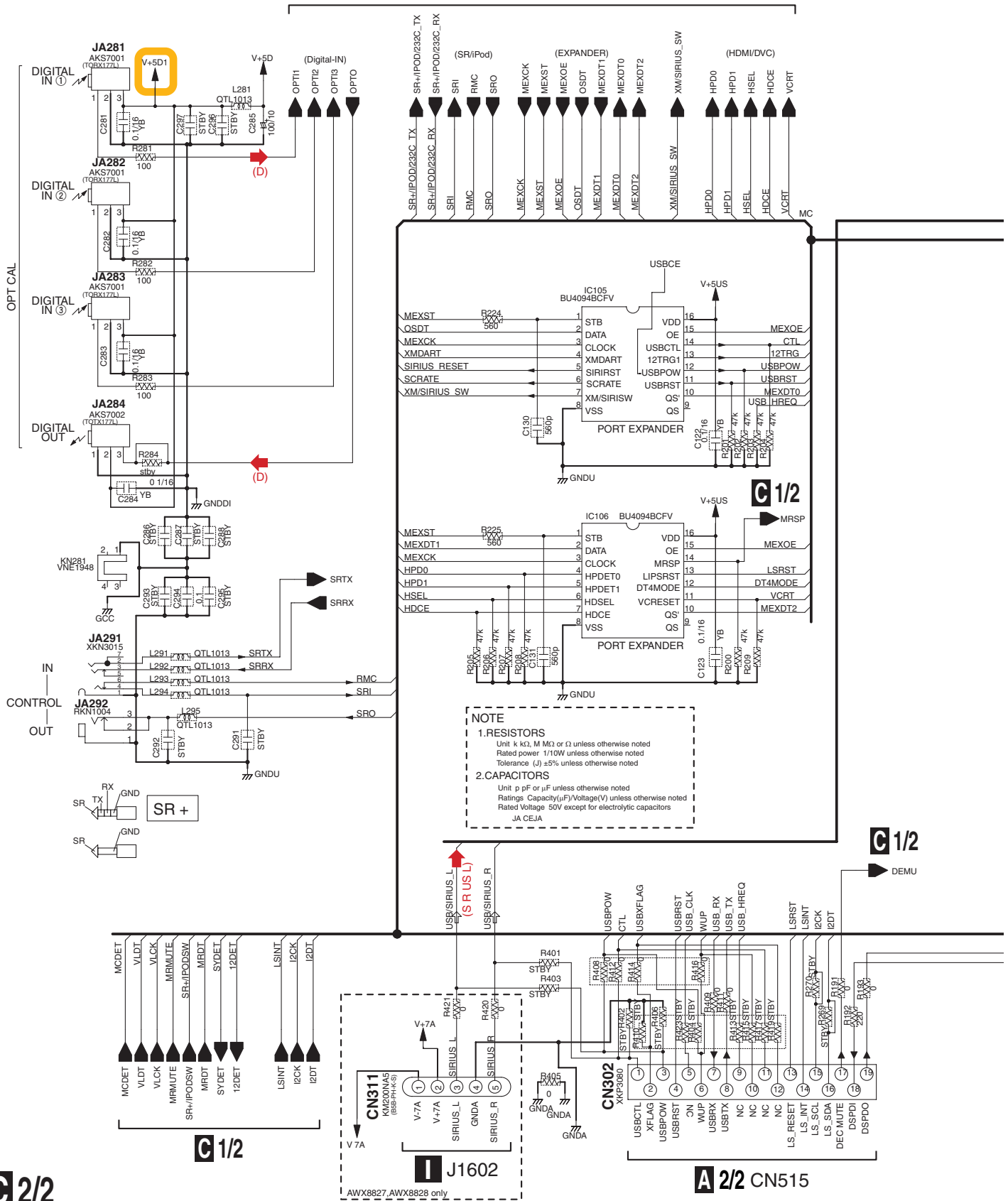
G 2/2

VSX-1017AV-K

10.4 MAIN CONTROL (2/2), GUARD-C and GUARD-F and GUARD-R ASSYS

C 2/2 MAIN CONTROL ASSY
 (VSX-1017AV-K, VSX-1017AV-S : AWX8829)
 (VSX-1017TXV-K : AWX8827)
 (VSX-90TXV : AWX8828)

C 1/2



NOTE
 1. RESISTORS
 Unit: k Ω, M Ω or Ω unless otherwise noted
 Rated power: 1/10W unless otherwise noted
 Tolerance: (J) ±5% unless otherwise noted
 2. CAPACITORS
 Unit: p F or μF unless otherwise noted
 Ratings: Capacity(μF)/Voltage(V) unless otherwise noted
 Rated Voltage: 50V except for electrolytic capacitors
 JA CEJA

C 2/2

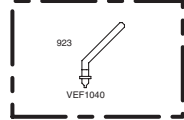
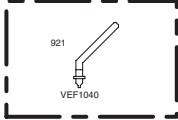
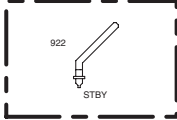
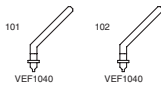
VSX-1017AV-K

A 2/2 CN515

D GUARD-C ASSY (AWX8839)

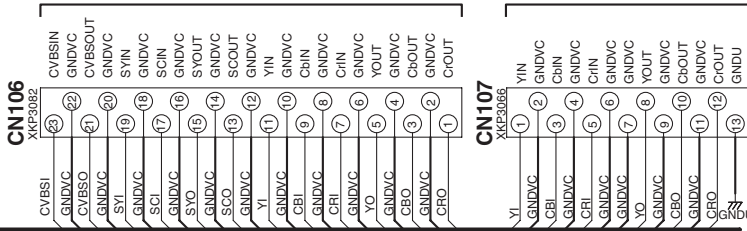
E GUARD-F ASSY (AWX8838)

F GUARD-R ASSY (AWX8840)

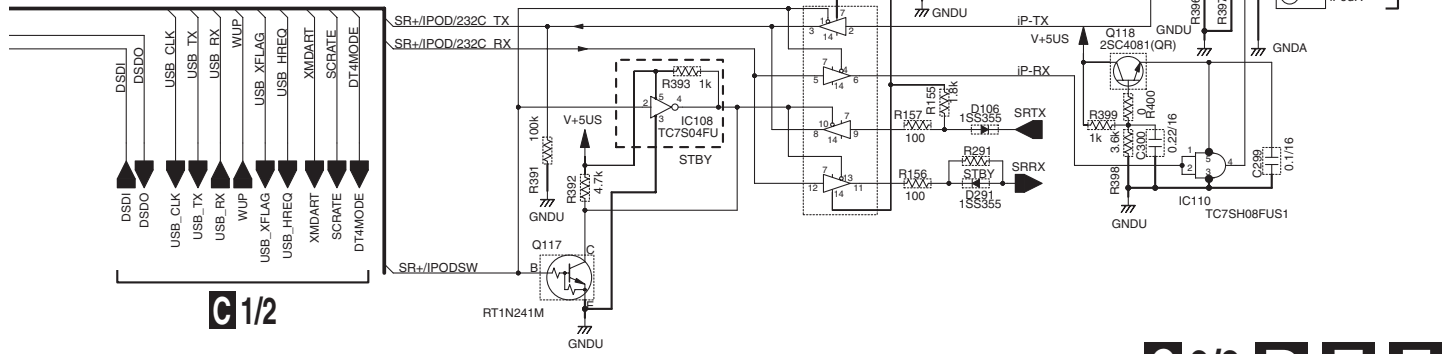
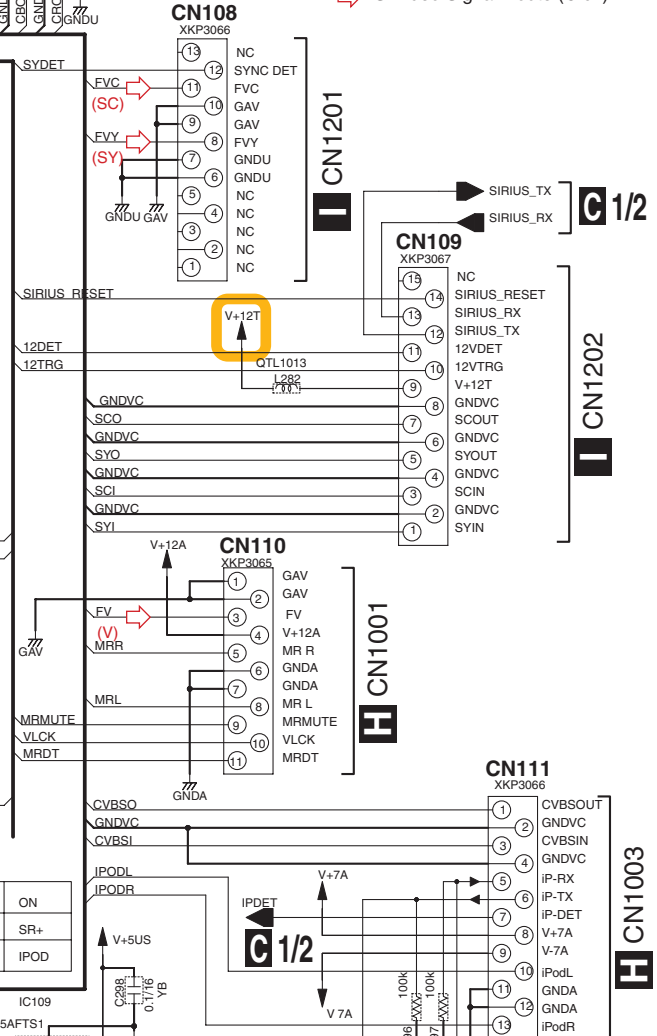
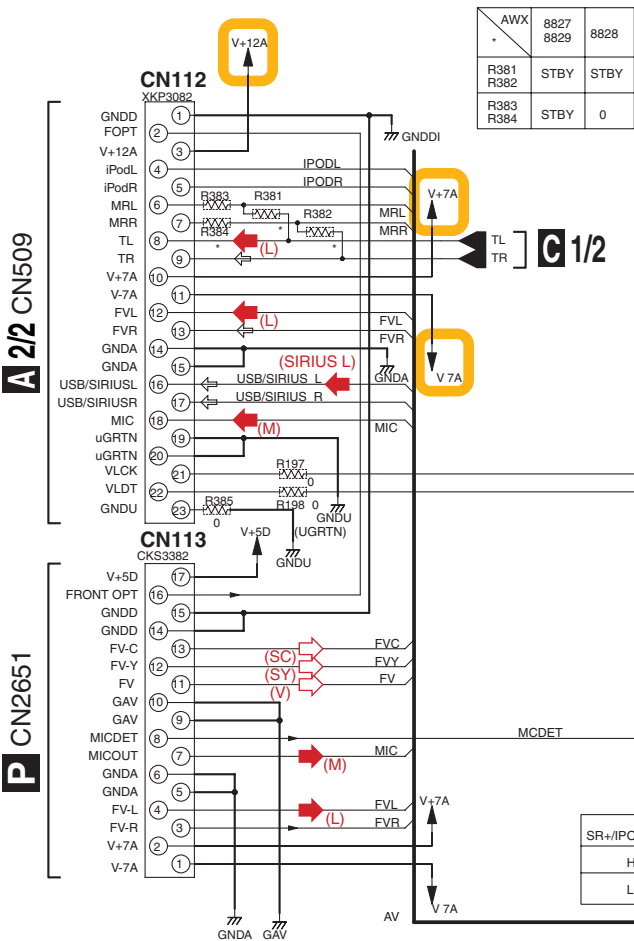


V CN5802

K CN1401



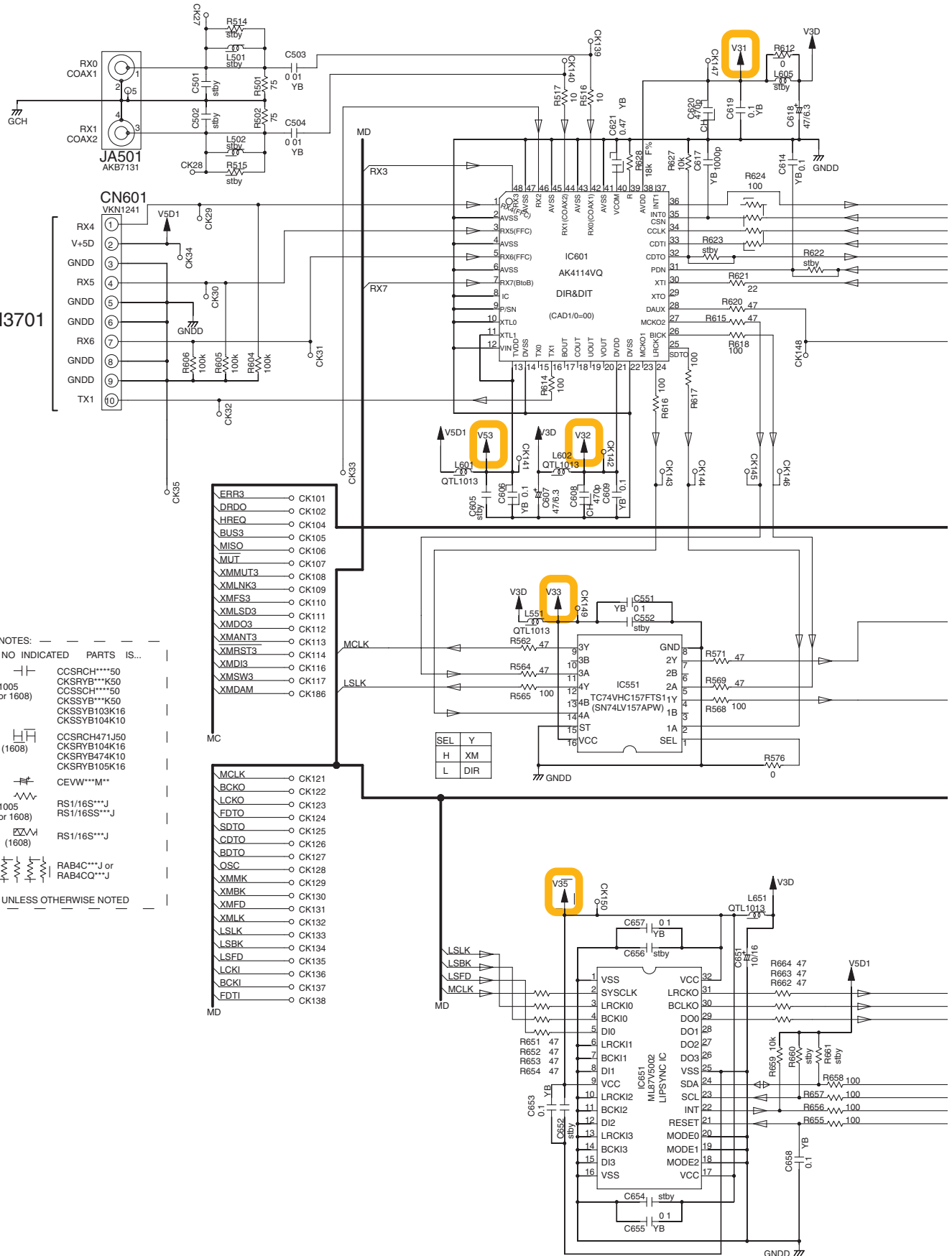
- (L) : Audio Signal Route (L ch)
- (M) : Audio Signal Route (Mic ch)
- (D) : Audio Data Route
- (S) : Video Signal Route
- (SY) : S Video Signal Route (Y ch)
- (SC) : S Video Signal Route (C ch)



C 2/2 D E F

10.5 DSP ASSY (1/2) (for VSX-1017AV)

G 1/2 DSP ASSY (AWX8806)



NOTES: --- IS...
 NO INDICATED PARTS IS...
 (1005 or 1608) CCSRCH***50
 CKSRB***K50
 CCSSCH***50
 CKSSYB***K50
 CKSSYB103K16
 CKSSYB104K10
 CCSRCH471J50
 CKSRB104K16
 CKSRB474K10
 CKSRB105K16
 CEVW***M
 (1005 or 1608) RS1/16S***J
 RS1/16SS***J
 (1608) RS1/16S***J
 RAB4C***J or RAB4CQ***J
 UNLESS OTHERWISE NOTED

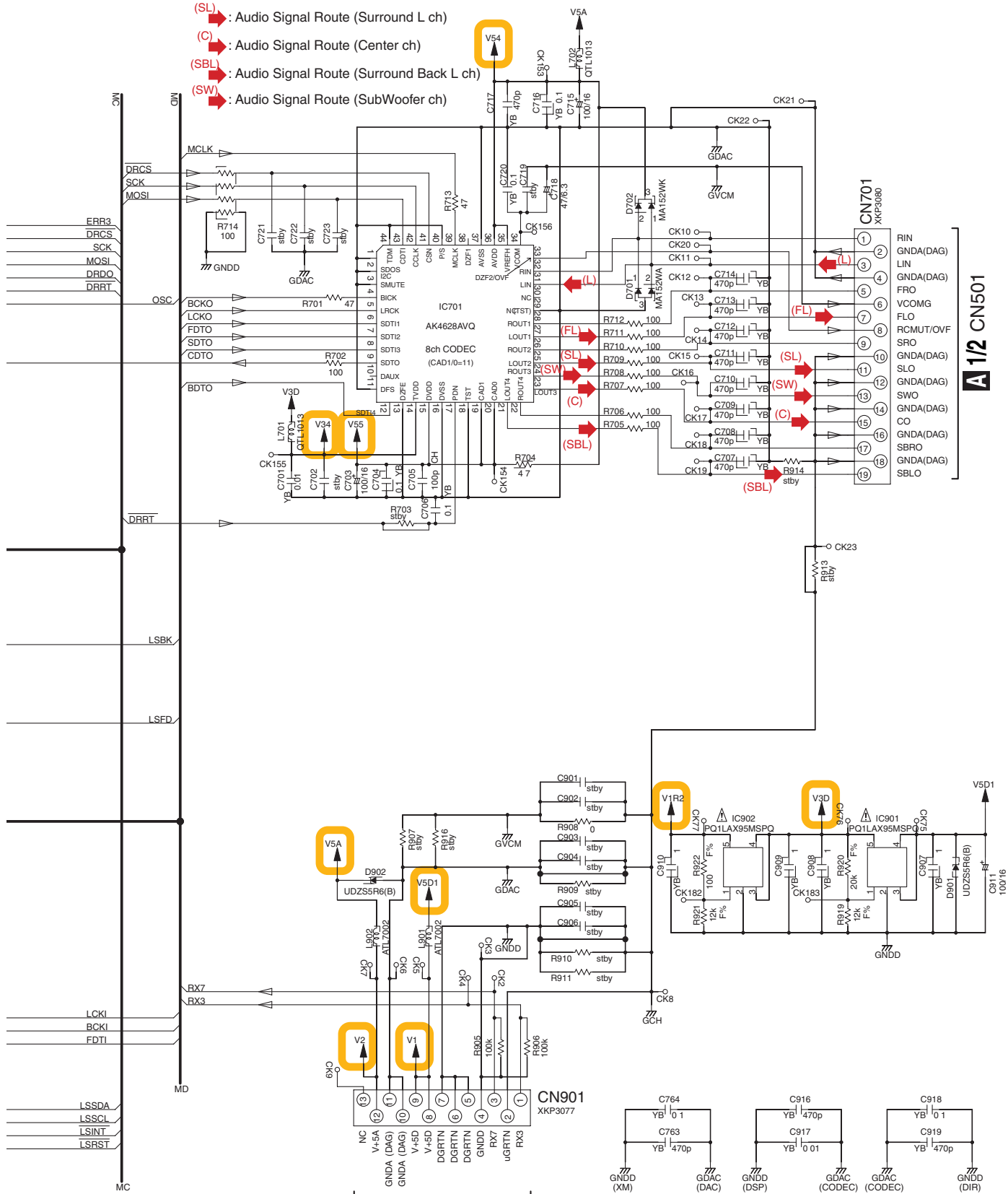
- ERR3 ○ CK101
- DRDO ○ CK102
- HREQ ○ CK104
- BUS3 ○ CK105
- MISO ○ CK106
- MUT ○ CK107
- XMMUT3 ○ CK108
- XMLNK3 ○ CK109
- XMFS3 ○ CK110
- XMLSD3 ○ CK111
- XMDO3 ○ CK112
- XMAN3 ○ CK113
- XMRST3 ○ CK114
- XMDI3 ○ CK116
- XMSW3 ○ CK117
- XMDAM ○ CK186
- MCLK ○ CK121
- BCKO ○ CK122
- LCKO ○ CK123
- FDTO ○ CK124
- SDTO ○ CK125
- CDTO ○ CK126
- BDTO ○ CK127
- OSC ○ CK128
- XMMK ○ CK129
- XMBK ○ CK130
- XMFD ○ CK131
- XMLK ○ CK132
- LSLK ○ CK133
- LSBK ○ CK134
- LSFD ○ CK135
- LCKI ○ CK136
- BCKI ○ CK137
- FDTI ○ CK138

SEL	Y
H	XM
L	DIR

AB CN3701

G 1/2

- (L) → : Audio Signal Route (L ch)
- (FL) → : Audio Signal Route (Front L ch)
- (SL) → : Audio Signal Route (Surround L ch)
- (C) → : Audio Signal Route (Center ch)
- (SBL) → : Audio Signal Route (Surround Back L ch)
- (SW) → : Audio Signal Route (SubWoofer ch)



A 1/2 CN501

A 2/2 CN510

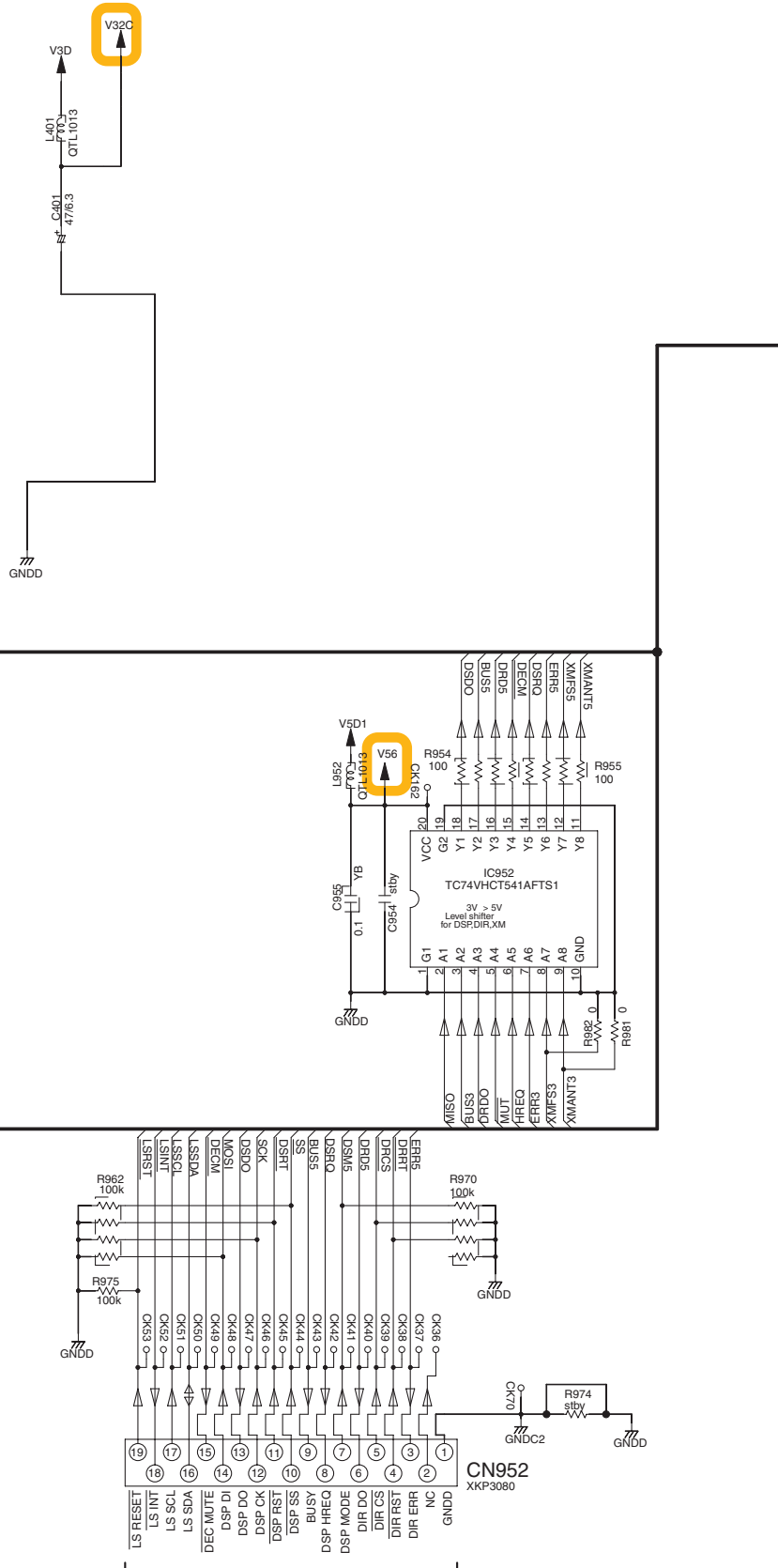
G 1/2

VSX-1017AV-K

10.6 DSP ASSY (2/2) (for VSX-1017AV)

G 2/2 DSP ASSY (AWX8806)

A
B
C
D
E
F

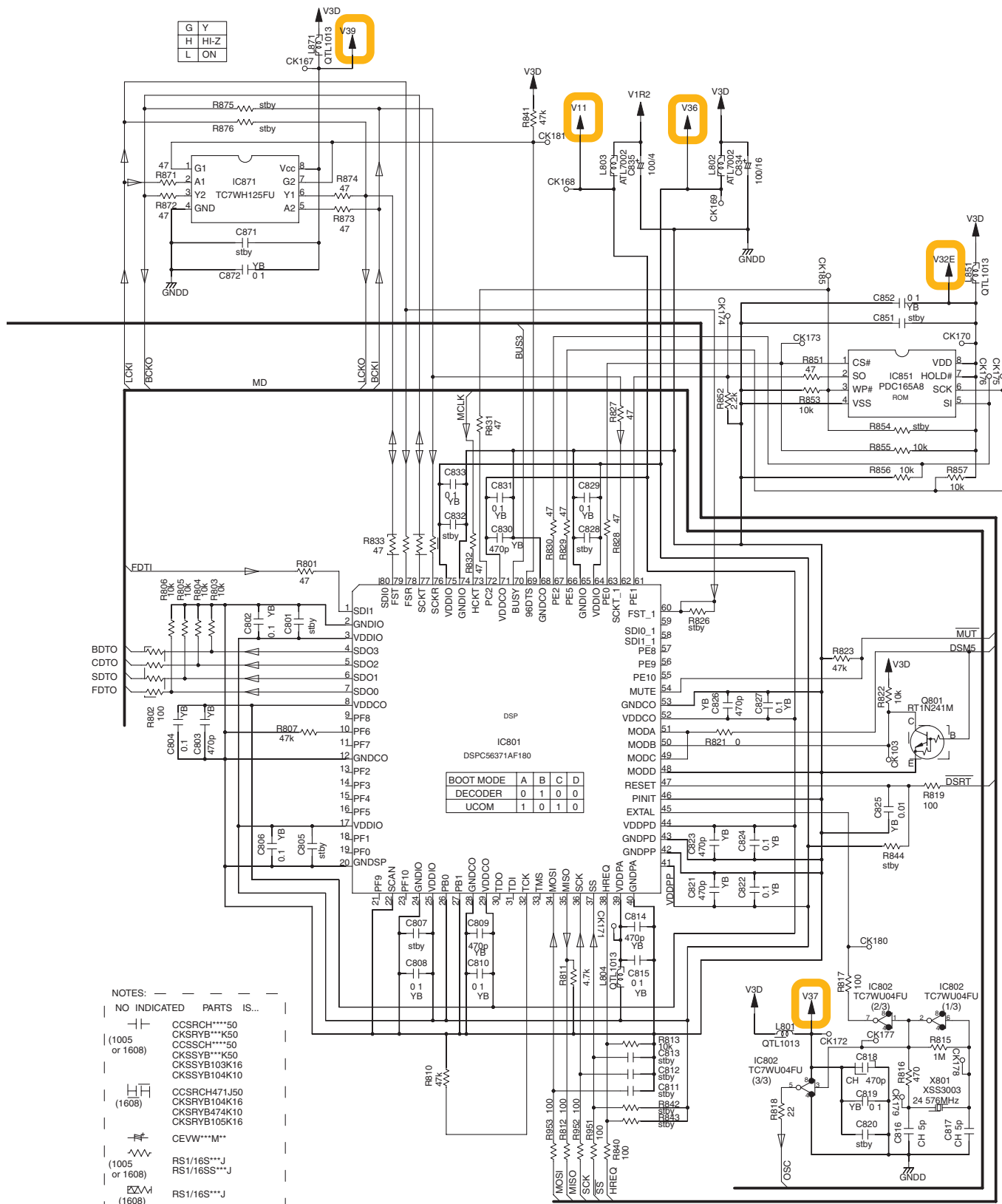


G 2/2

A 2/2 CN514

VSX-1017AV-K

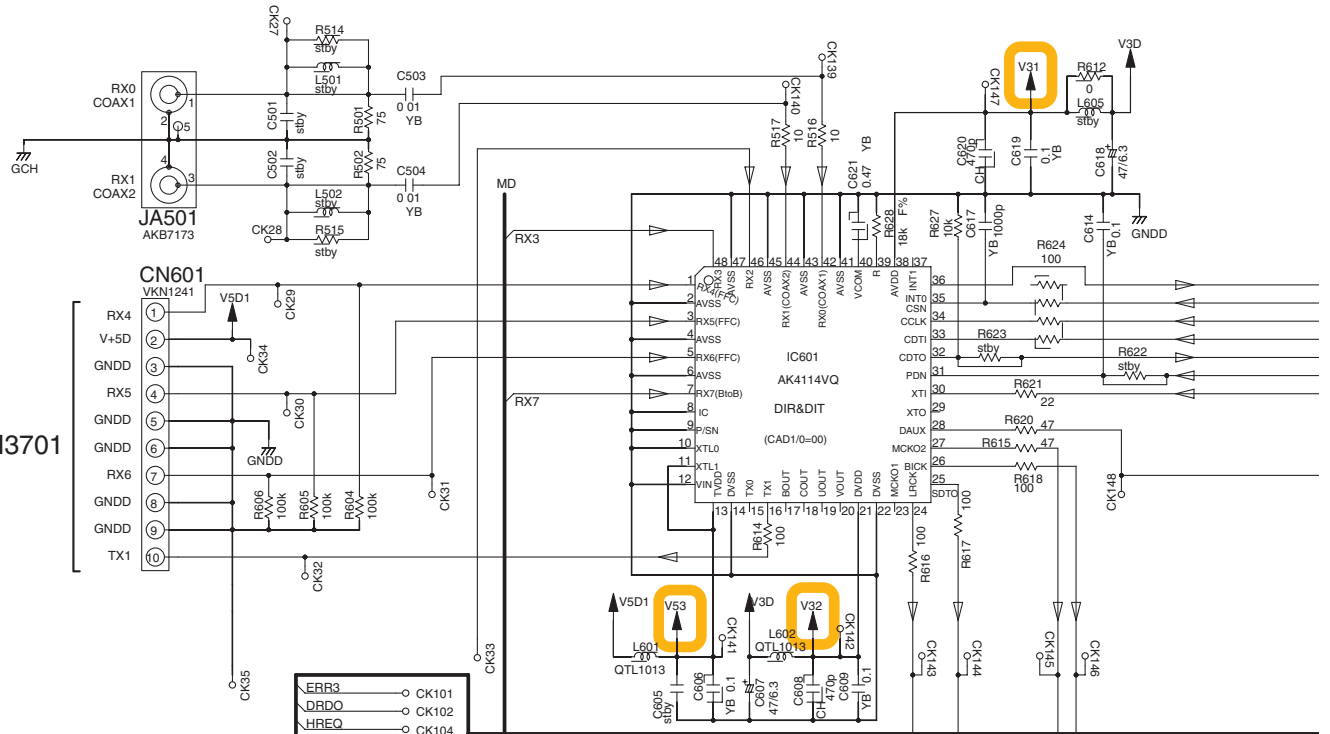
A
B
C
D
E
F



NOTES: — IS...
 NO INDICATED PARTS IS...
 (1005 or 1608) CCSRCH***50
 CKSRYS***K50
 C0SSCH***50
 CKSSYB***K50
 CKSSYB103K16
 CKSSYB104K10
 (1608) CCSRCH471J50
 CKSRYS104K16
 CKSRYS474K10
 CKSRYS105K16
 CEVW***M**
 (1005 or 1608) RS1/16S***J
 RS1/16SS***J
 (1608) RS1/16S***J
 RAB4C***J or RAB4CQ***J
 UNLESS OTHERWISE NOTED

10.7 DSP ASSY (1/2) (for VSX-1017TXV and VSX-90TXV)

G 1/2 DSP ASSY (AWX8805)

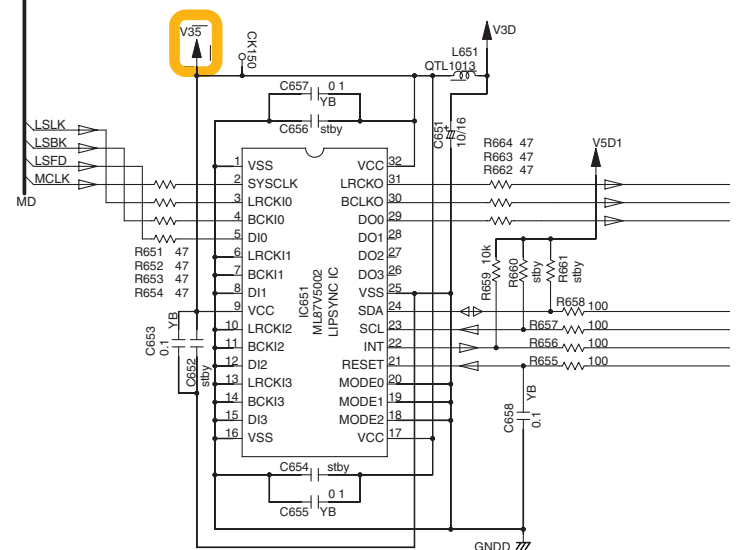
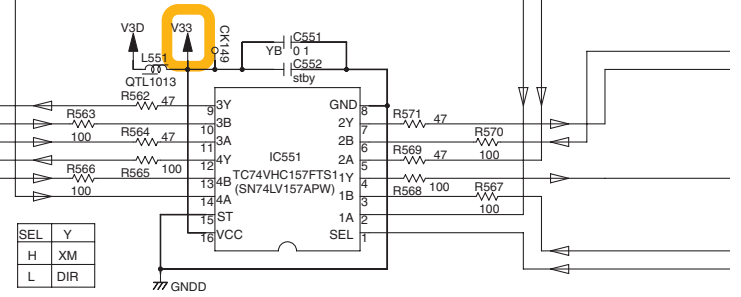


AB CN3701

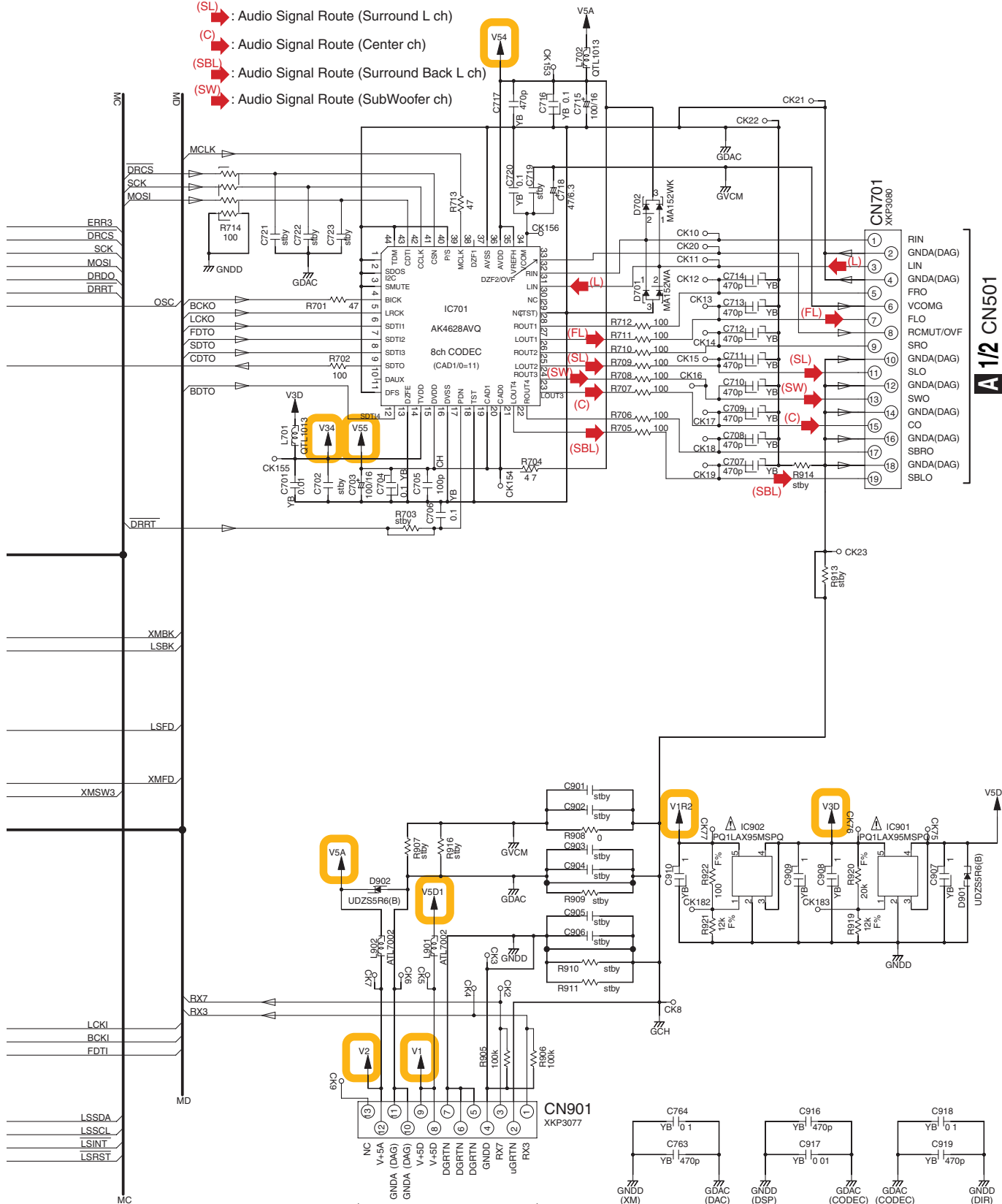
NOTES: --- NO INDICATED PARTS IS...

- CCSRCH***50
 - CKSSRYB***K50
 - CCSSCH***50
 - CKSSYB***K50
 - CKSSYB103K16
 - CKSSYB104K10
 - CCSRCH471J50
 - CKSSRYB104K16
 - CKSSRYB474K10
 - CKSSRYB105K16
 - CEVW***M**
 - RS1/16S***J
 - RS1/16SS***J
 - RS1/16S***J
 - RAB4C***J or RAB4CQ***J
- UNLESS OTHERWISE NOTED

- ERR3 ○ CK101
- DRD0 ○ CK102
- HREQ ○ CK104
- BUS3 ○ CK105
- MISO ○ CK106
- MUT ○ CK107
- XMMUT3 ○ CK108
- XMLNK3 ○ CK109
- XMFS3 ○ CK110
- XMLSD3 ○ CK111
- XMDO3 ○ CK112
- XMANT3 ○ CK113
- XMRST3 ○ CK114
- XMDI3 ○ CK116
- XMSW3 ○ CK117
- XMDAM ○ CK186
- MCLK ○ CK121
- BCKO ○ CK122
- LCKO ○ CK123
- FDTO ○ CK124
- SDTO ○ CK125
- CDTO ○ CK126
- BDTO ○ CK127
- OSC ○ CK128
- XMMK ○ CK129
- XMBK ○ CK130
- XMFD ○ CK131
- XMLK ○ CK132
- LSLK ○ CK133
- LSBK ○ CK134
- LSFD ○ CK135
- LCKI ○ CK136
- BCKI ○ CK137
- FDTI ○ CK138



- (L) → : Audio Signal Route (L ch)
- (FL) → : Audio Signal Route (Front L ch)
- (SL) → : Audio Signal Route (Surround L ch)
- (C) → : Audio Signal Route (Center ch)
- (SBL) → : Audio Signal Route (Surround Back L ch)
- (SW) → : Audio Signal Route (SubWoofer ch)



A 1/2 CN501

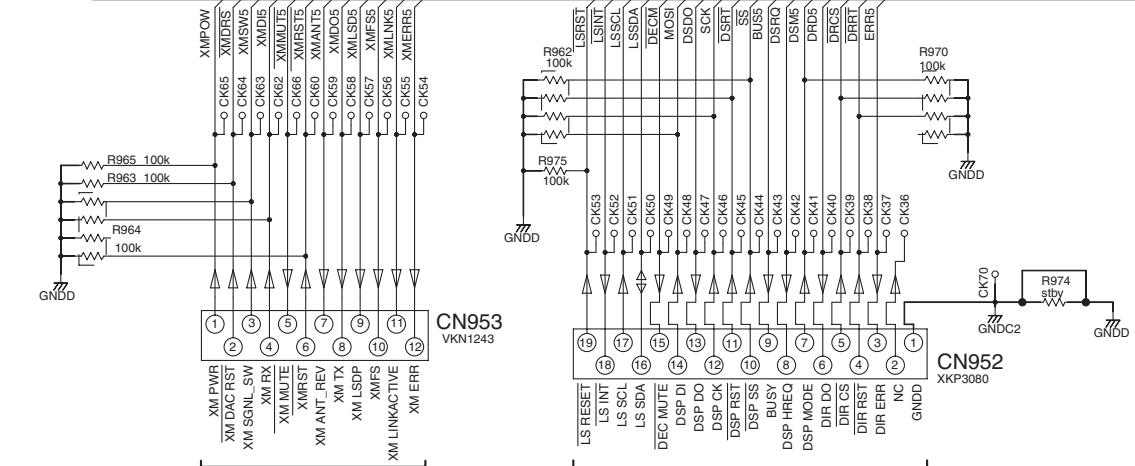
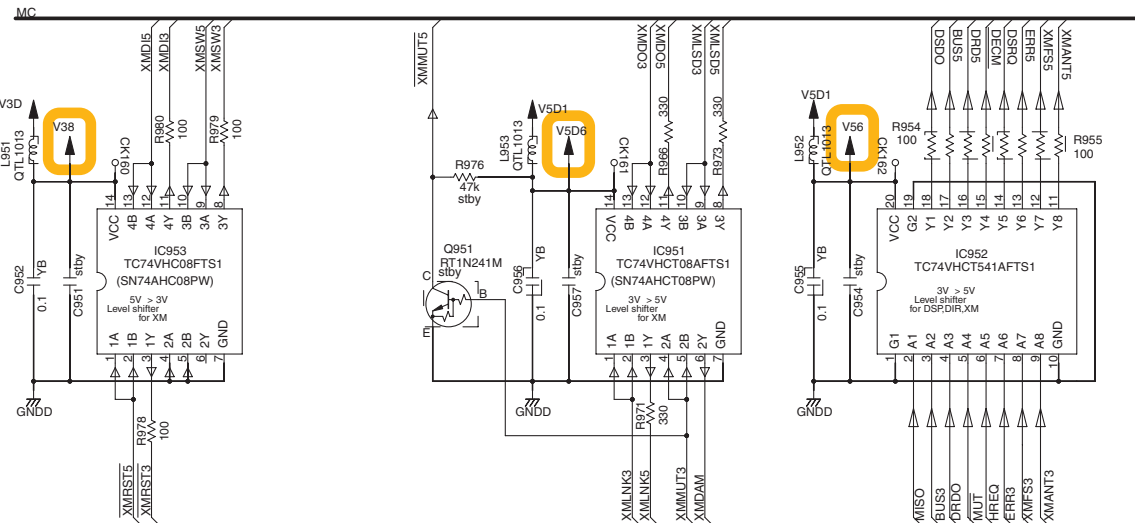
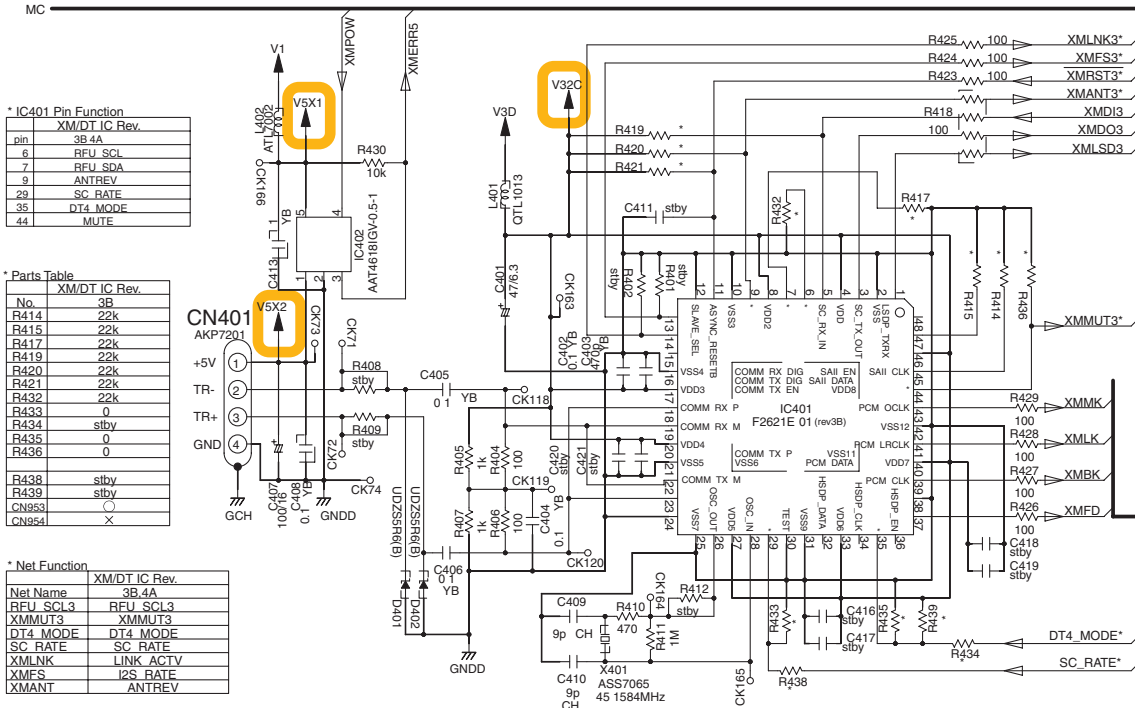
A 2/2 CN510

G 1/2

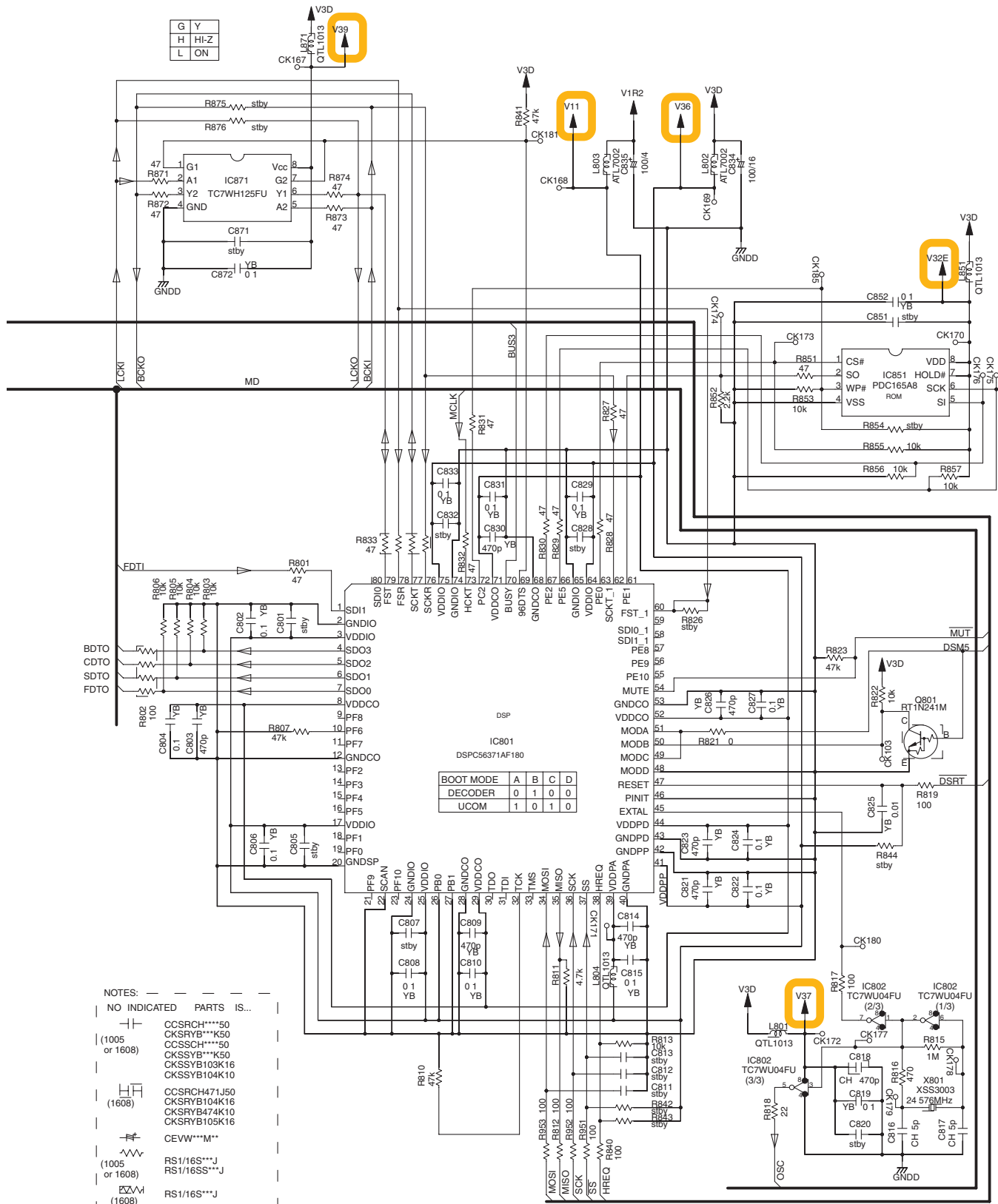
VSX-1017AV-K

10.8 DSP ASSY (2/2) (for VSX-1017TXV and VSX-90TXV)

G 2/2 DSP ASSY (AWX8805)





A
B
C
D
E
F

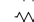


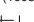
NOTES: —


NO INDICATED PARTS IS...


 CCSRCH***50
 CKSRYB***K50
 CKSSCH***50
 CKSSYB***K50
 CKSSYB103K16
 CKSSYB104K10

 CCSRCH47J50
 CKSRYB104K16
 CKSRYB474K10
 CKSRYB105K16

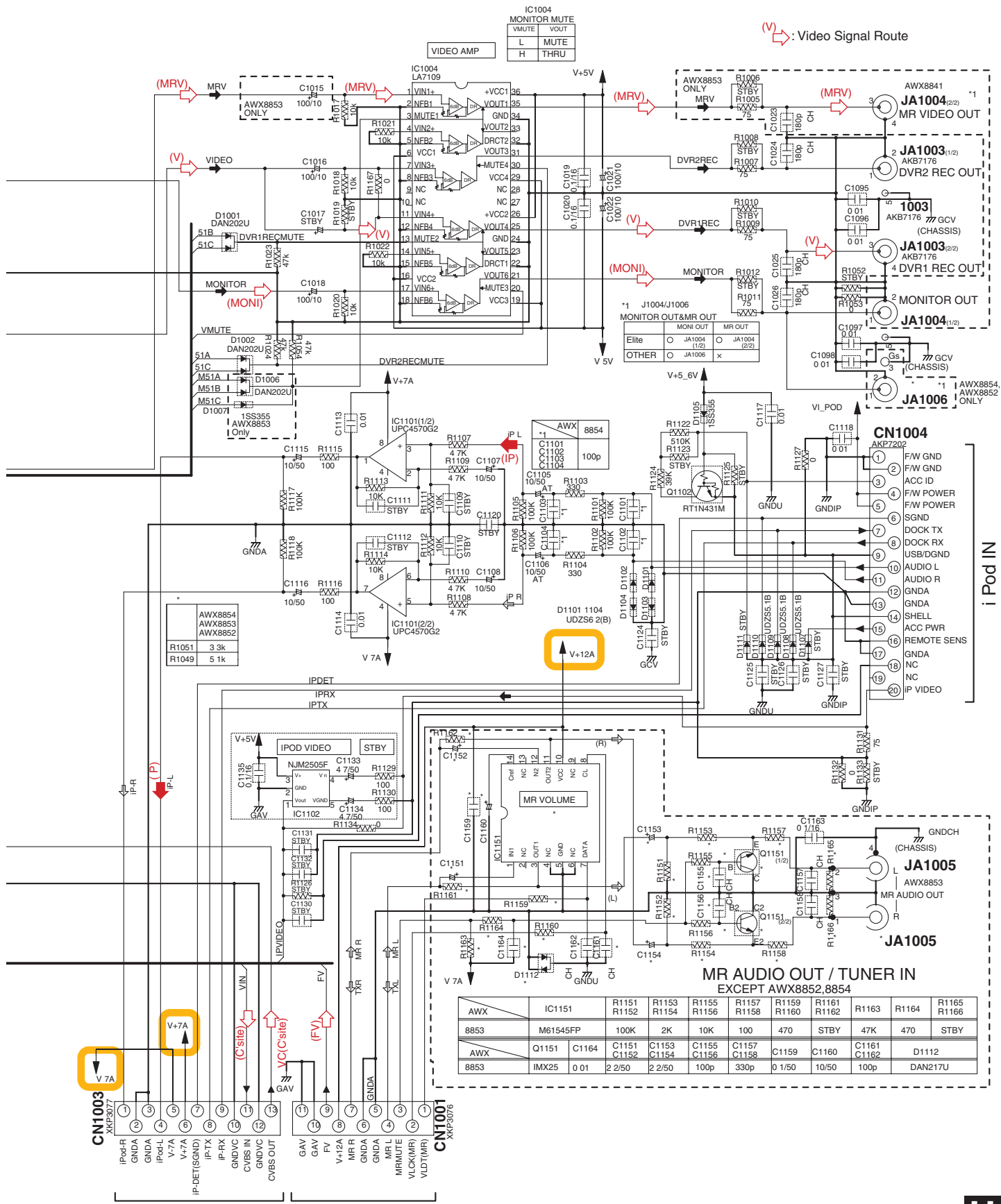
 CEVW***M**

 RS1/16S***J
 RS1/16SS***J

 RS1/16S***J

 RAB4C***J or
 RAB4CQ***J

UNLESS OTHERWISE NOTED



C 2/2 CN111

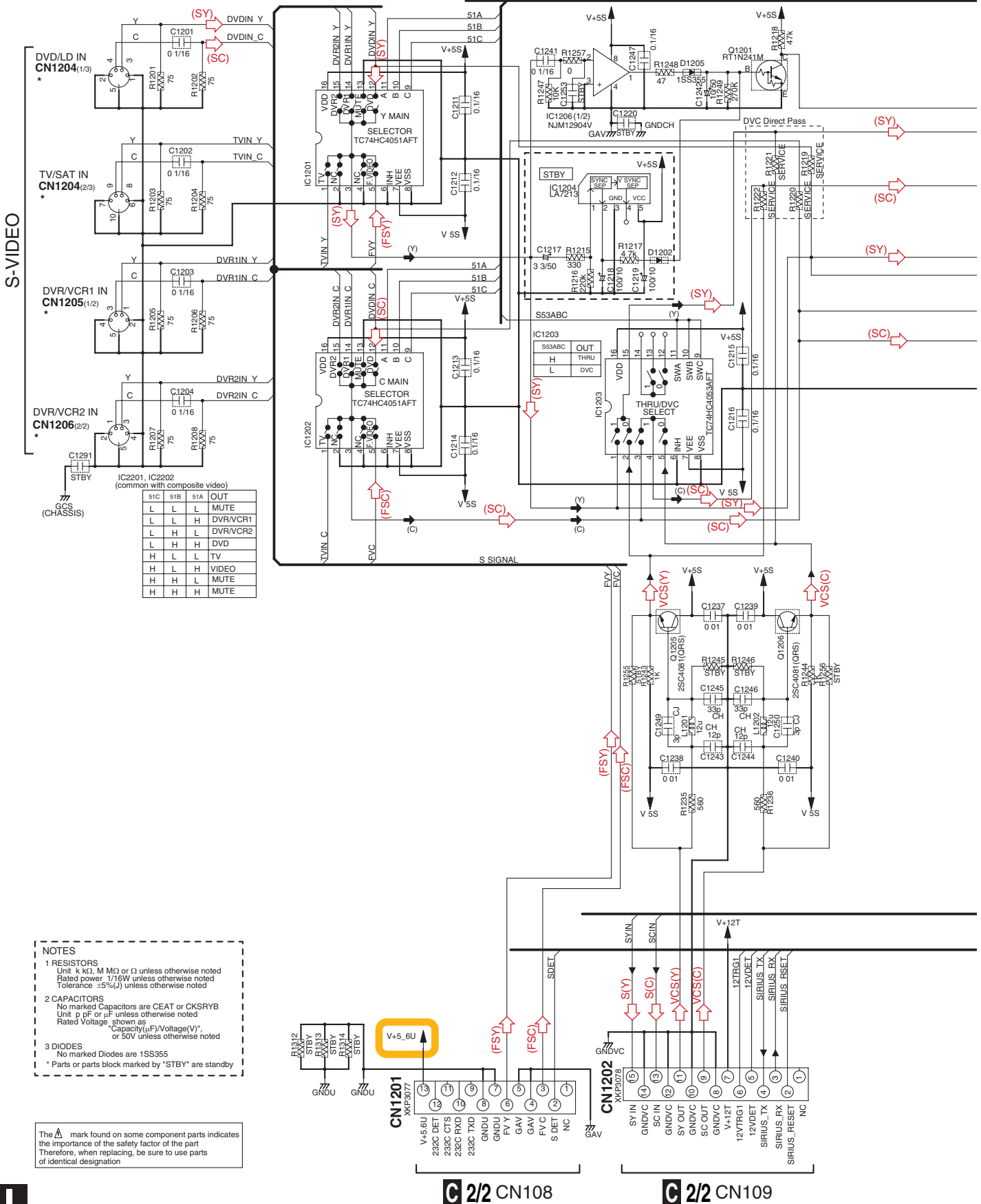
C 2/2 CN110

VSX-1017AV-K



10.10 S-VIDEO and BRIDGE 2 ASSYS

**S-VIDEO ASSY (VSX-1017AV-K, VSX-1017AV-S : AWX8858)
(VSX-1017TXV-K : AWX8856)
(VSX-90TXV : AWX8857)**



C 2/2 CN108

C 2/2 CN109

VSX-1017AV-K

10.11 COMPONENT ASSY

1

2

3

4

A

B

C

D

E

F

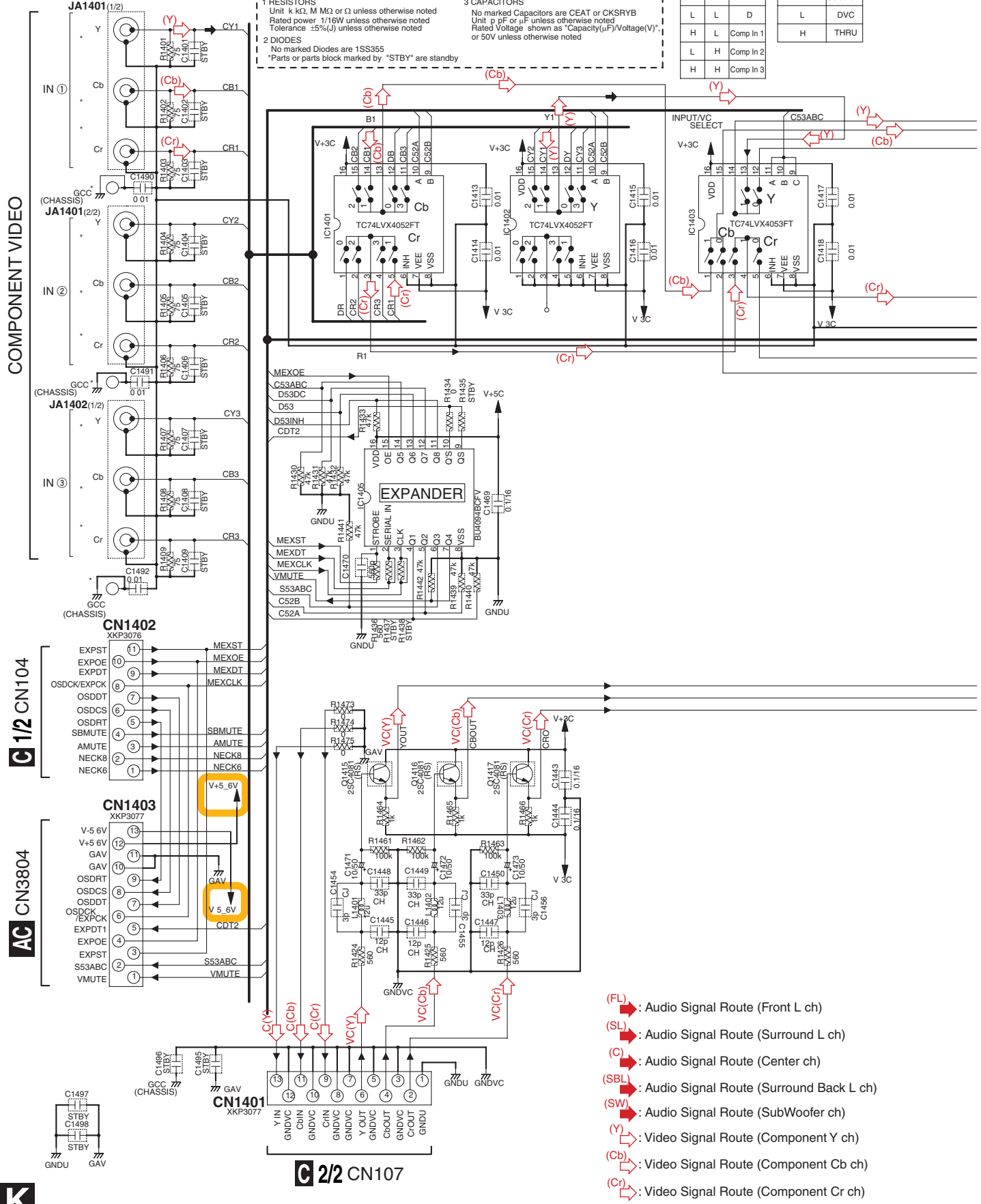
NOTES

1 RESISTORS
Unit: k, K, M, Ω or Ω unless otherwise noted
Rated power: 1/16W unless otherwise noted
Tolerance: ±5%(J) unless otherwise noted

2 DIODES
No marked Diodes are 1SS355
*Parts or parts block marked by "STBY" are standby

3 CAPACITORS
No marked Capacitors are CEAT or CKSRYB
Unit: p, pF or μF unless otherwise noted
Rated Voltage shown as "Capacity(μF)/Voltage(V)" or 50V unless otherwise noted

IC2401 & IC2402				IC2404	
CSW1	CSW1	Selector		C53B	Selector
L	L	D		L	DVC
H	L	Comp In 1		H	THRU
L	H	Comp In 2			
H	H	Comp In 3			



- (FL) → Audio Signal Route (Front L ch)
- (SL) → Audio Signal Route (Surround L ch)
- (C) → Audio Signal Route (Center ch)
- (SBL) → Audio Signal Route (Surround Back L ch)
- (SW) → Audio Signal Route (SubWoofer ch)
- (Y) → Video Signal Route (Component Y ch)
- (Cb) → Video Signal Route (Component Cb ch)
- (Cr) → Video Signal Route (Component Cr ch)

G 2/2 CN107

VSX-1017AV-K

K

1

2

3

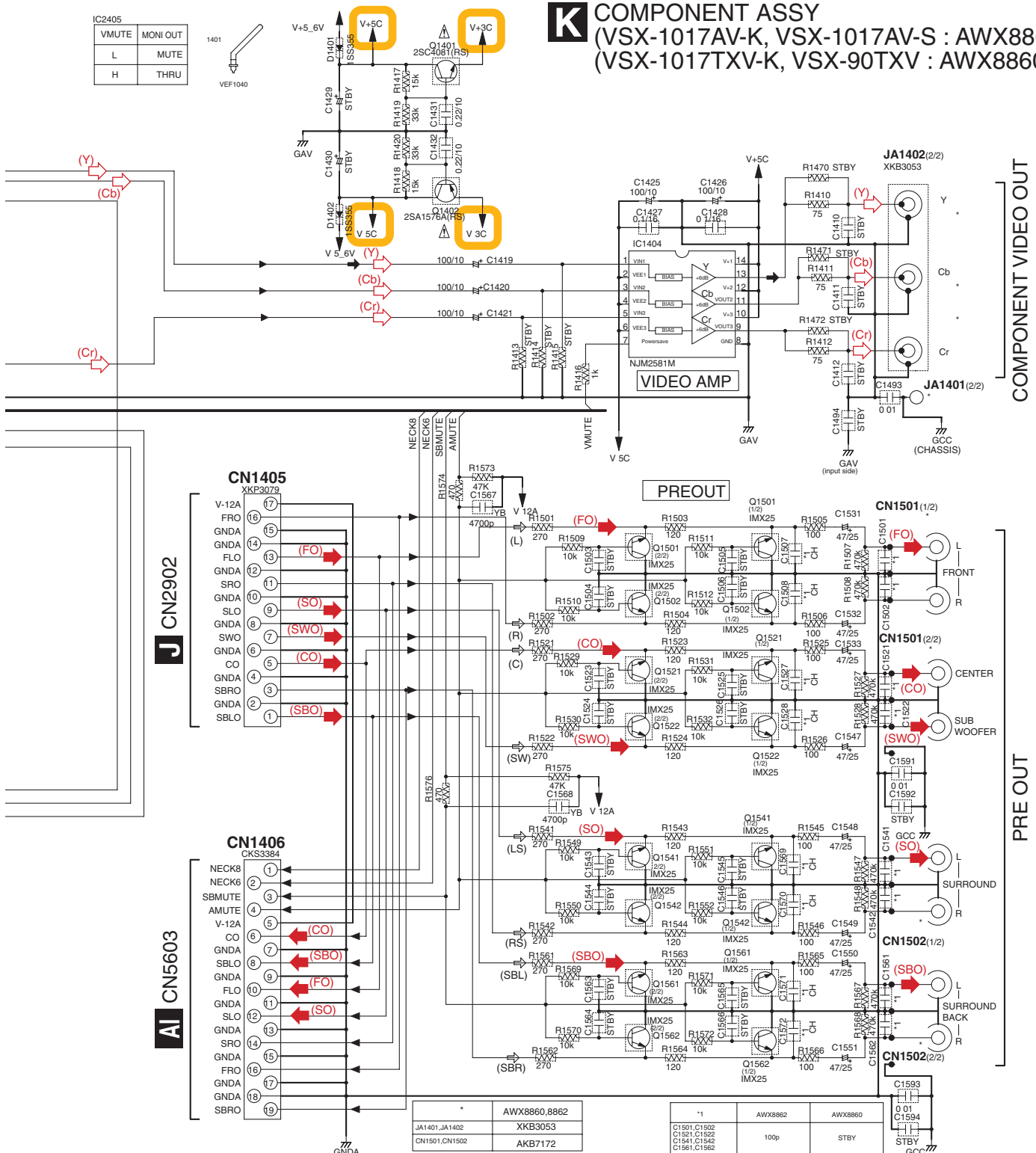
4

IC2405	VMUTE	MONI OUT
	L	MUTE
	H	THRU



K COMPONENT ASSY

(VSX-1017AV-K, VSX-1017AV-S : AWX8862)
 (VSX-1017TXV-K, VSX-90TXV : AWX8860)



J CN2902

AI CN5603

COMPONENT VIDEO OUT

PRE OUT

JA1401,JA1402	AWX8860,8862
CN1501,CN1502	XKB3053
	AKB7172

*1	AWX8862	AWX8860
C1501,C1502	100p	STBY
C1521,C1522		
C1541,C1542		
C1561,C1562		
C1507,C1508	270p	STBY
C1527,C1528		
C1569,C1570		
C1571,C1572		

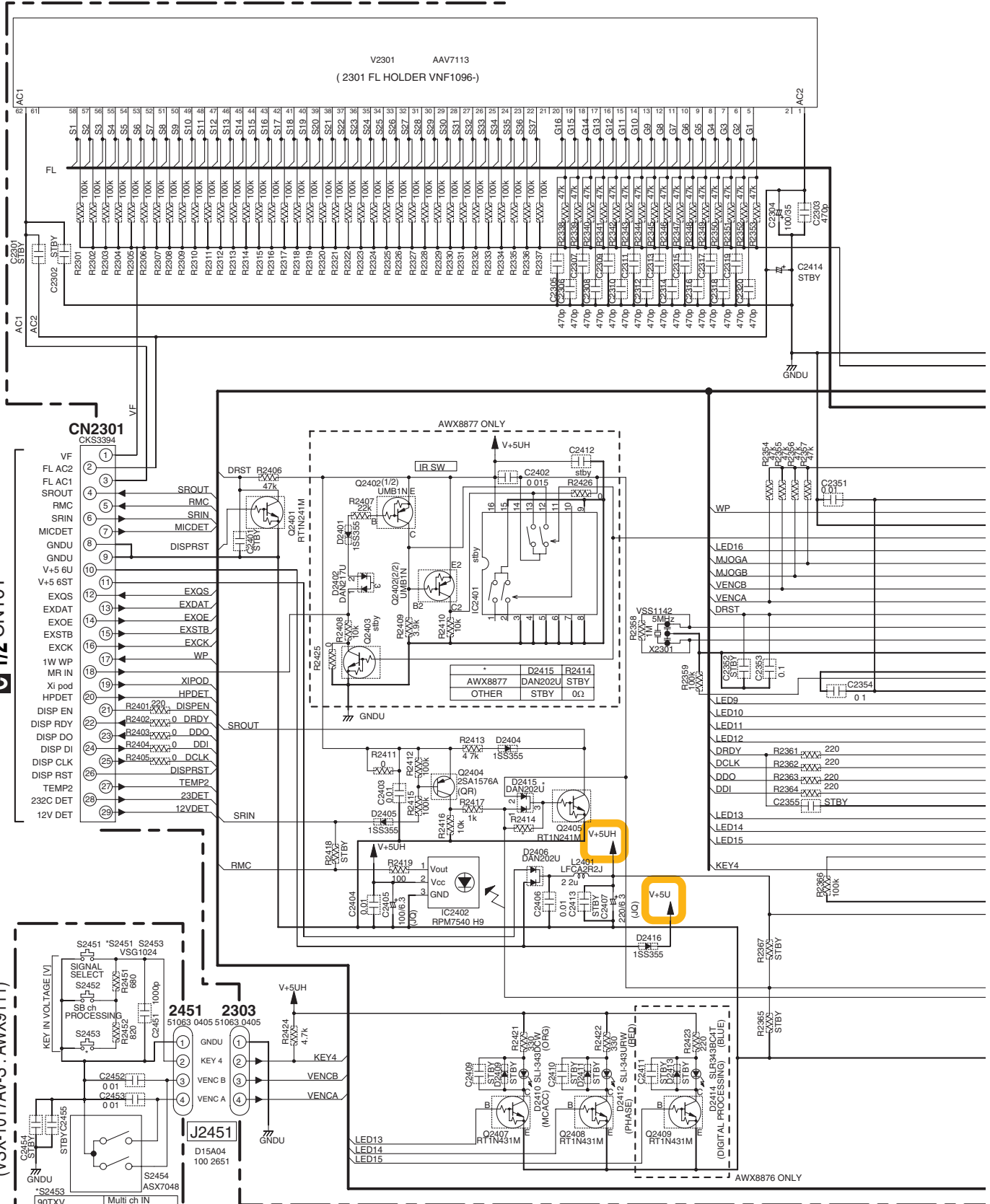
The Δ mark found on some component parts indicates the importance of the safety factor of the part. Therefore, when replacing, be sure to use parts of identical designation.

A
B
C
D
E
F

10.12 DISPLAY, VOLUME and MULTI JOG ASSYS

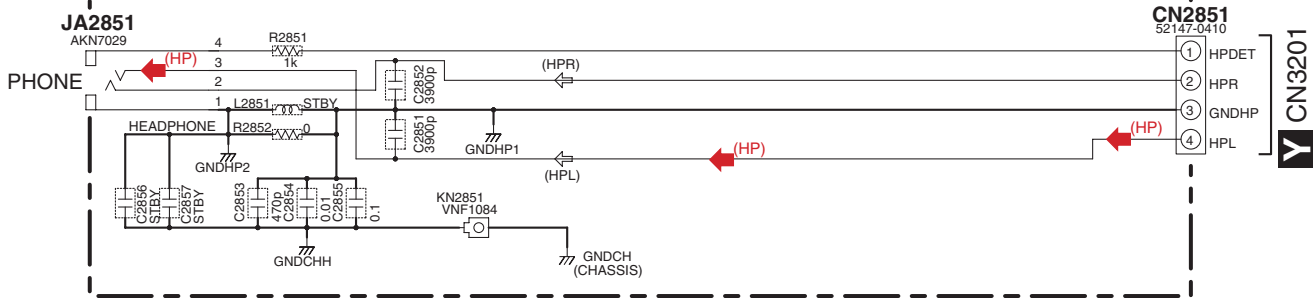
DISP ASSY
 (VSX-1017AV-K, VSX-1017AV-S : AWX8878)
 (VSX-1017TXV-K : AWX8876)
 (VSX-90TXV : AWX8877)

VOLUME ASSY
 (VSX-1017AV-K, VSX-1017TXV-K, VSX-90TXV : AWX9044)
 (VSX-1017AV-S : AWX9111)

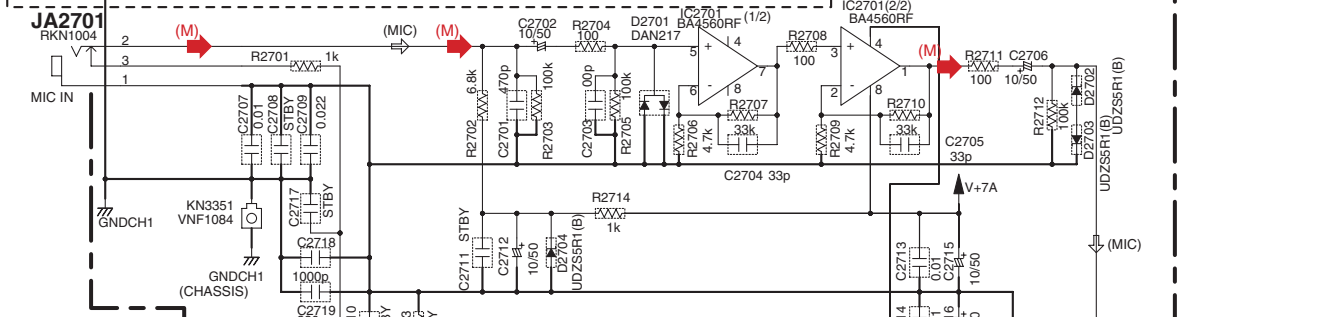
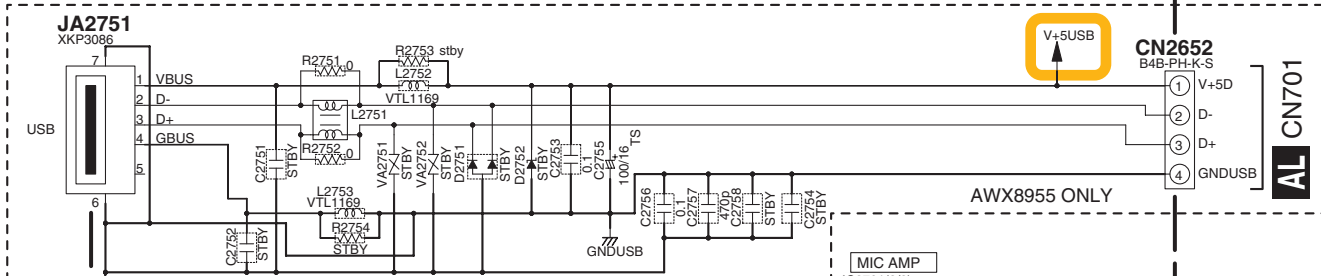


10.13 HEADPHONE, FRONT-IN, PRIMARY and TRANS 1 ASSYS

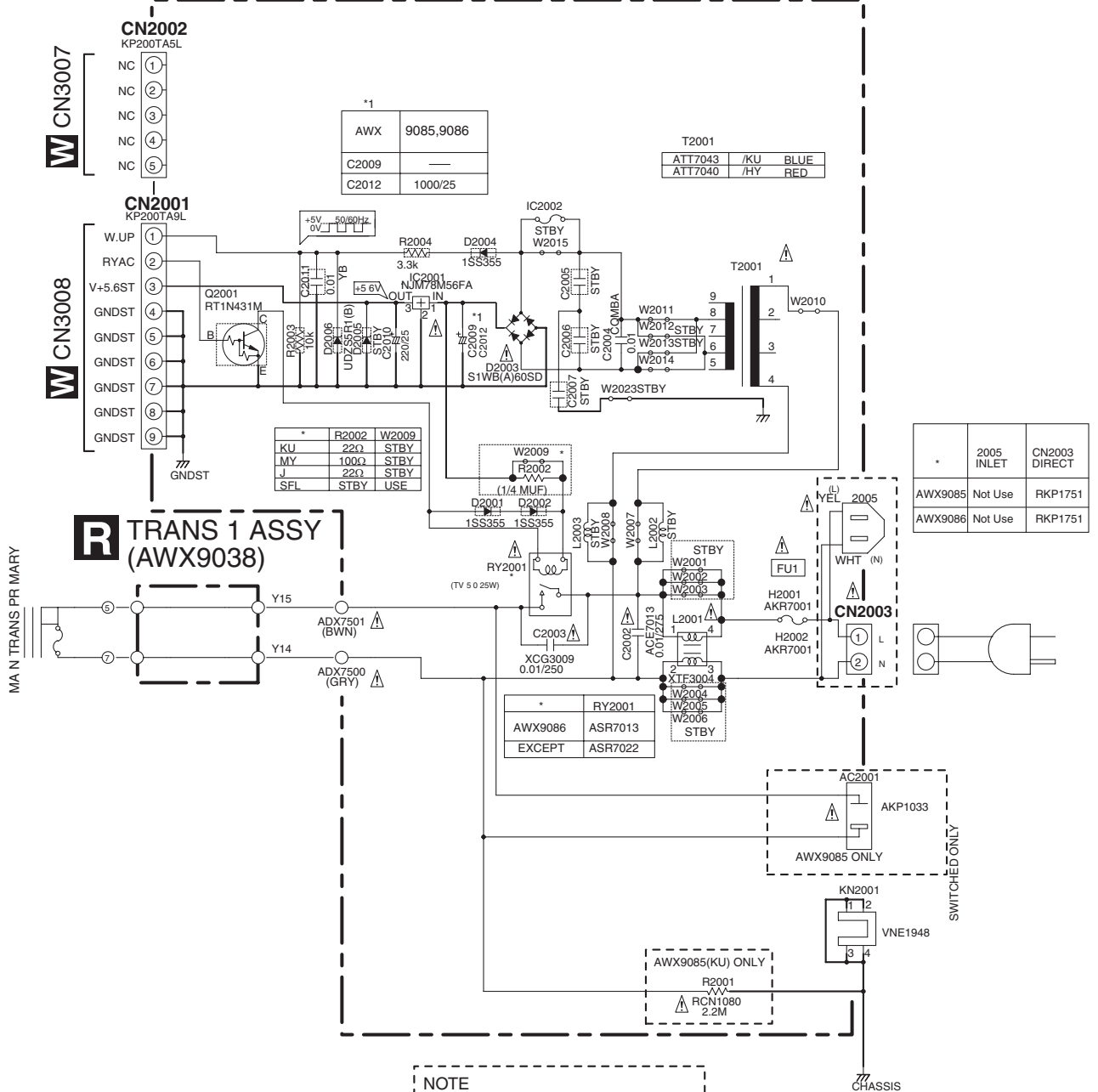
O HEADPHONE ASSY (AWX9049)



P FRONT-IN ASSY (VSX-1017AV-K, VSX-1017AV-S : AWX8955) (VSX-1017TXV-K, VSX-90TXV : AWX8954)



Q PRIMARY ASSY (VSX-1017AV-K, VSX-1017AV-S : AWX9086)
(VSX-1017TXV-K, VSX-90TXV : AWX9085)



*1	
AWX	9085,9086
C2009	—
C2012	1000/25

T2001		
ATT7043	/KU	BLUE
ATT7040	/HY	RED

* R2002 W2009		
KU	22Ω	STBY
MY	100Ω	STBY
J	22Ω	STBY
SFL	STBY	USE

* 2005 INLET CN2003 DIRECT		
AWX9085	Not Use	RKP1751
AWX9086	Not Use	RKP1751

* RY2001	
AWX9086	ASR7013
EXCEPT	ASR7022

* W2001 W2002 W2003	
W2004	W2005
W2006	STBY

NOTE

1.RESISTORS
Unit k Ω, M Ω or Ω unless otherwise noted
Rated power 1/10W unless otherwise noted
Tolerance (J) ±5% unless otherwise noted

2.CAPACITORS
Unit p pF or μF unless otherwise noted
Ratings Capacity(μF)/Voltage(V) unless otherwise noted
Rated Voltage 50V except for electrolytic capacitors

3.DIODES
Indicated in 1SS355

NOTE FOR FUSE REPLACEMENT

CAUTION FOR CONTINUED PROTECTION AGAINST RISK OF FIRE, REPLACE WITH SAME TYPE AND RATINGS OF FUSE.

The Δ mark found on some component parts indicates the importance of the safety factor of the part. Therefore, when replacing, be sure to use parts of identical designation.

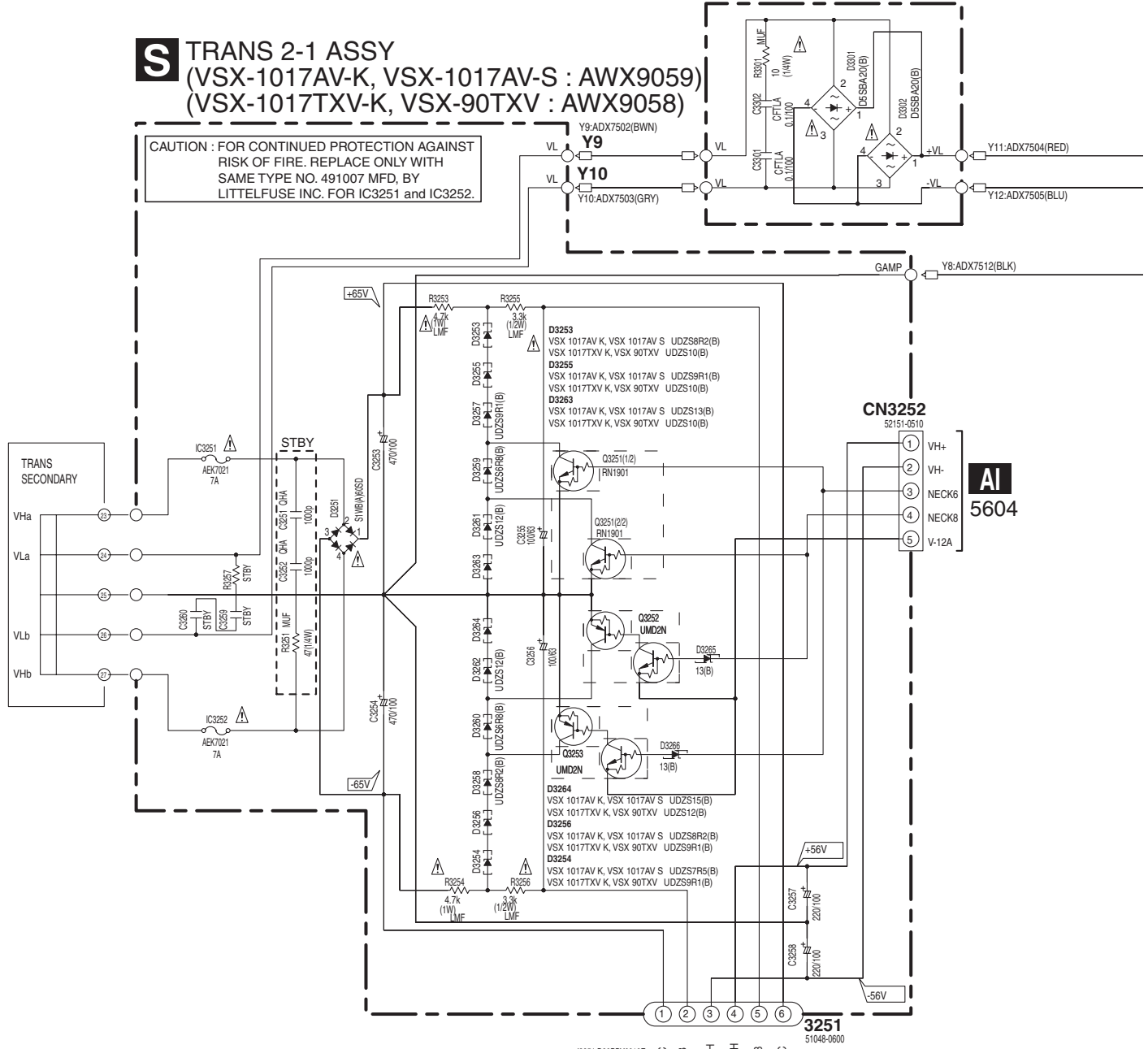
- (L) → Audio Signal Route (L ch)
- (M) → Audio Signal Route (Mic ch)
- (V) → Video Signal Route
- (SY) → S Video Signal Route (Y ch)
- (SC) → S Video Signal Route (C ch)

10.14 TRANS 2-1, DIODE 1, VH TR and PS/SP ASSYS

S TRANS 2-1 ASSY
(VSX-1017AV-K, VSX-1017AV-S : AWX9059)
(VSX-1017TXV-K, VSX-90TXV : AWX9058)

CAUTION : FOR CONTINUED PROTECTION AGAINST RISK OF FIRE. REPLACE ONLY WITH SAME TYPE NO. 491007 MFD, BY LITTELFUSE INC. FOR IC3251 and IC3252.

T DIODE 1 ASSY
(AWX9060)



CN3252
52151-0510

AI
5604

3251
51048-0600

CN3351
52147-0610

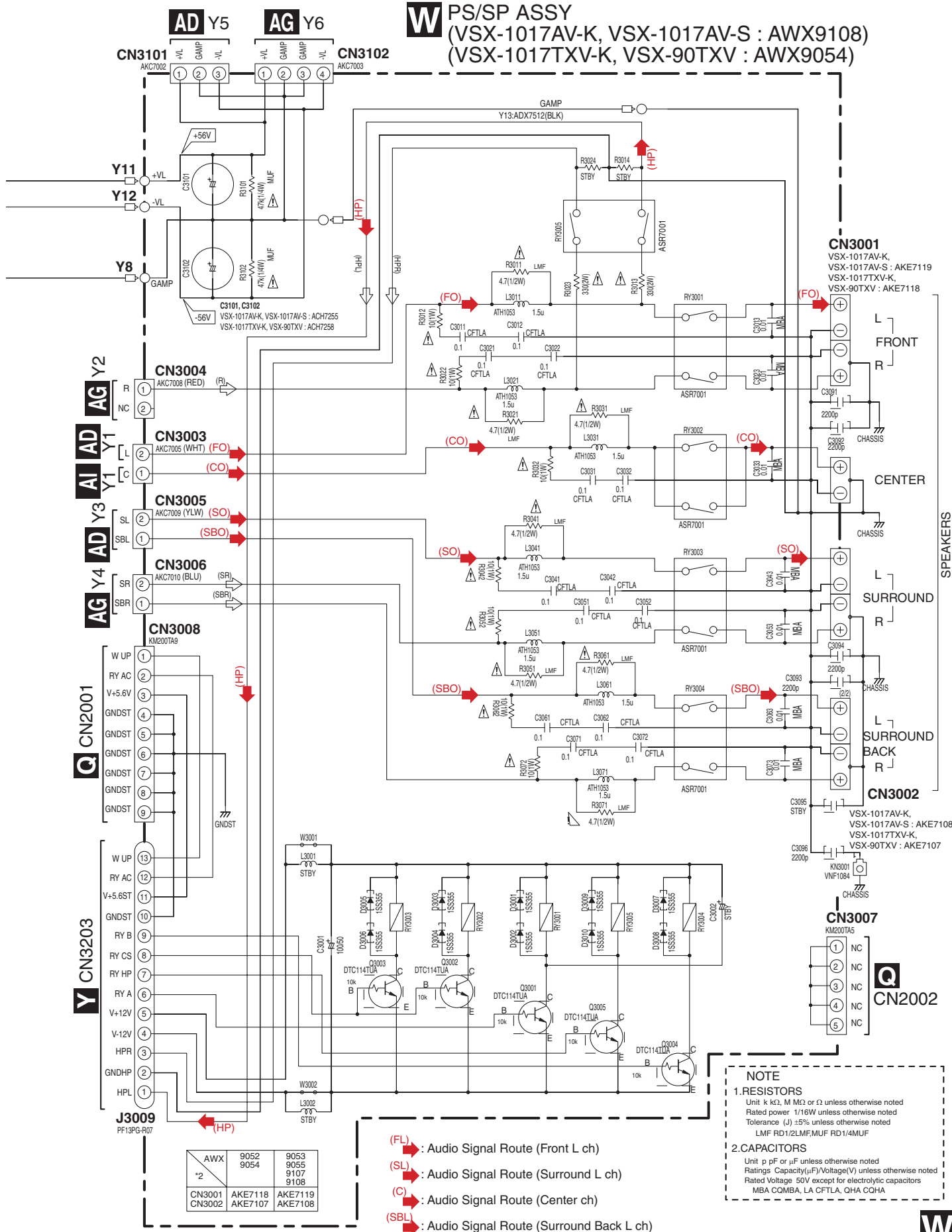
U

VH TR ASSY
(AWX9061)

CAUTION : FOR CONTINUED PROTECTION AGAINST RISK OF FIRE. REPLACE ONLY WITH SAME TYPE NO. ICP-N15, MFD BY ROHM CO., LTD. FOR IC3351 and IC3352.

S T U

W PS/SP ASSY
 (VSX-1017AV-K, VSX-1017AV-S : AWX9108)
 (VSX-1017TXV-K, VSX-90TXV : AWX9054)



AWX	9052	9053
	9054	9055
*2		9107
		9108
CN3001	AKE7118	AKE7119
CN3002	AKE7107	AKE7108

- (FL) : Audio Signal Route (Front L ch)
- (SL) : Audio Signal Route (Surround L ch)
- (C) : Audio Signal Route (Center ch)
- (SBL) : Audio Signal Route (Surround Back L ch)

NOTE

1. RESISTORS
 Unit k k Ω , M M Ω or Ω unless otherwise noted
 Rated power 1/16W unless otherwise noted
 Tolerance (J) \pm 5% unless otherwise noted
 LMF RD1/2LMF, MUF RD1/4MUF

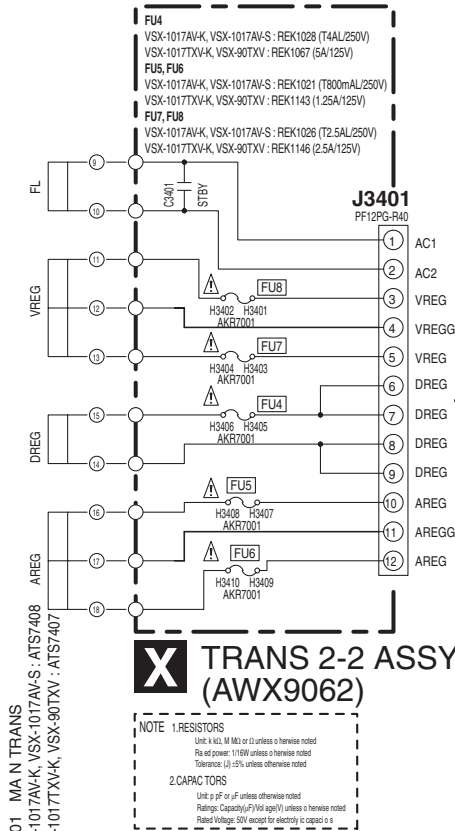
2. CAPACITORS
 Unit p pF or μ F unless otherwise noted
 Ratings Capacity(μ F)/Voltage(V) unless otherwise noted
 Rated Voltage 50V except for electrolytic capacitors
 MBA COMBA, LA CFTLA, QHA COHA

10.15 TRANS 2-2, TRANS SIDE, LOCAL P-SUPPLY, DC/DC, IR I/O and VIDEO CONNECT ASSYS

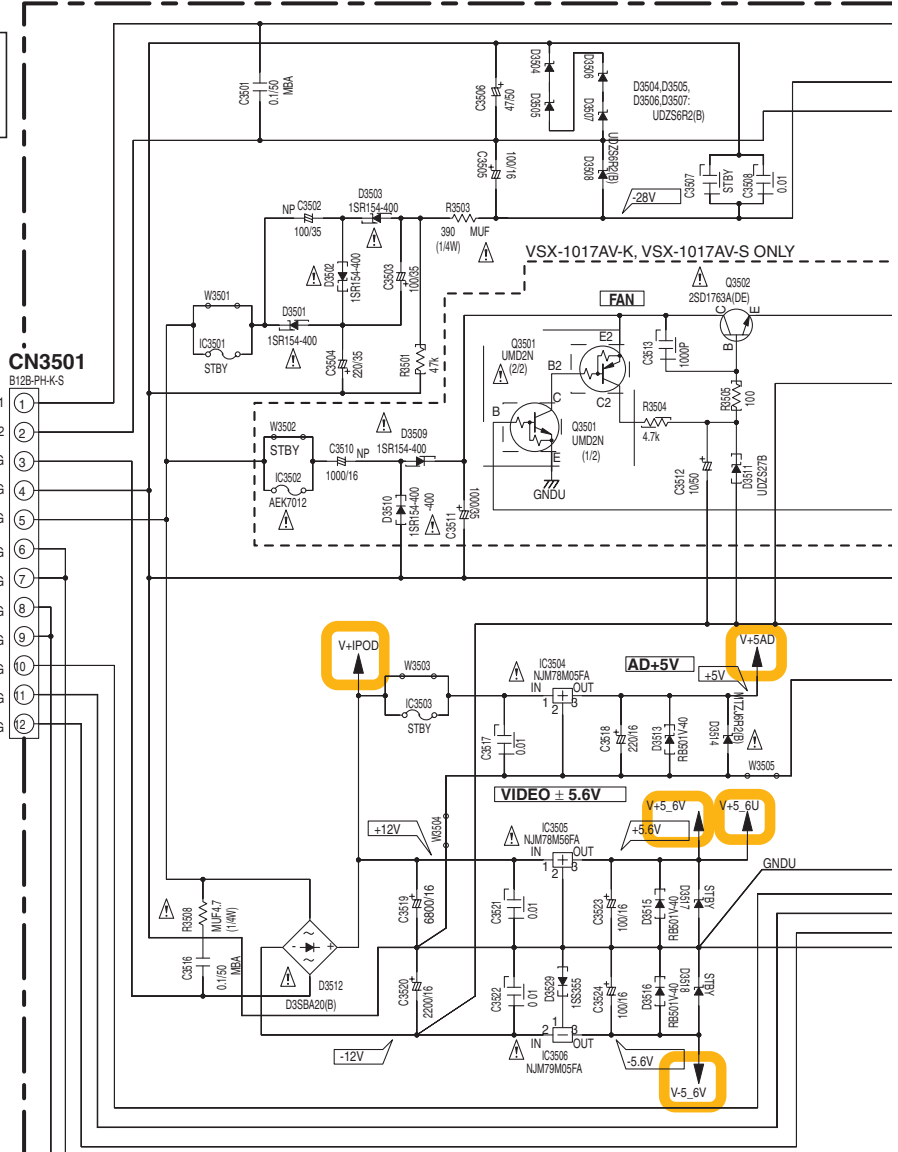
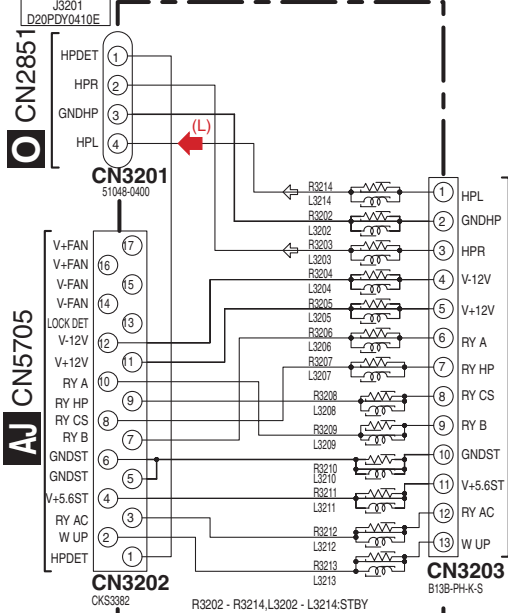
Z LOCAL P-SUPPLY ASSY (VSX-1017AV-K, VSX-1017AV-S : AWX9064) (VSX-1017TXV-K, VSX-90TXV : AWX9063)

NOTE FOR FUSE REPLACEMENT

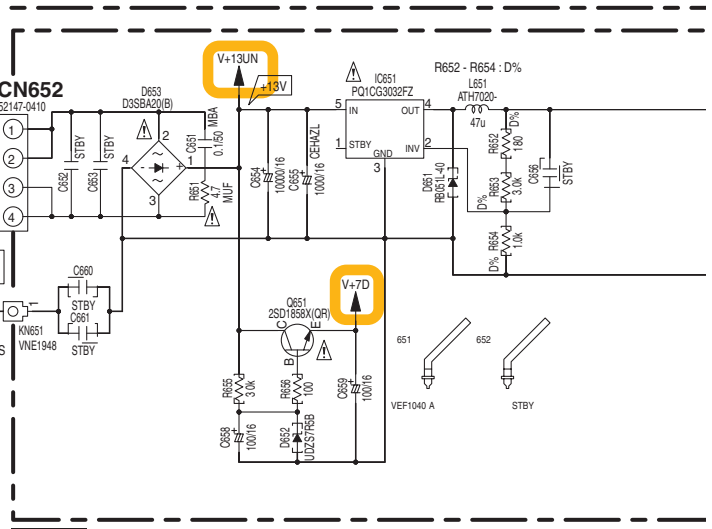
CAUTION - FOR CONTINUED PROTECTION AGAINST RISK OF FIRE. REPLACE WITH SAME TYPE AND RATINGS OF FUSE.



Y TRANS SIDE ASSY (AWX9056)



AA DC/DC ASSY (AWX9015)



10.16 POWER AMP-L, POSI 1-L and POSI 2-L ASSYS

AD POWER AMP-L ASSY (VSX-1017AV-K, VSX-1017AV-S : AWX9072) (VSX-1017TXV-K, VSX-90TXV : AWX9071)

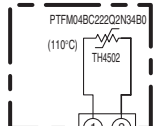
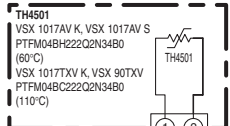
AE

POSI 1-L ASSY
(VSX-1017AV-K, VSX-1017AV-S : AWX9081)
(VSX-1017TXV-K, VSX-90TXV : AWX9080)

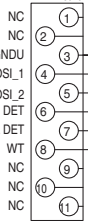
AF

POSI 2-L ASSY
(AWX9082)

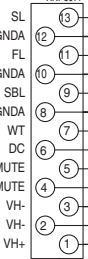
VSX-1017AV-K,
VSX-1017AV-S ONLY



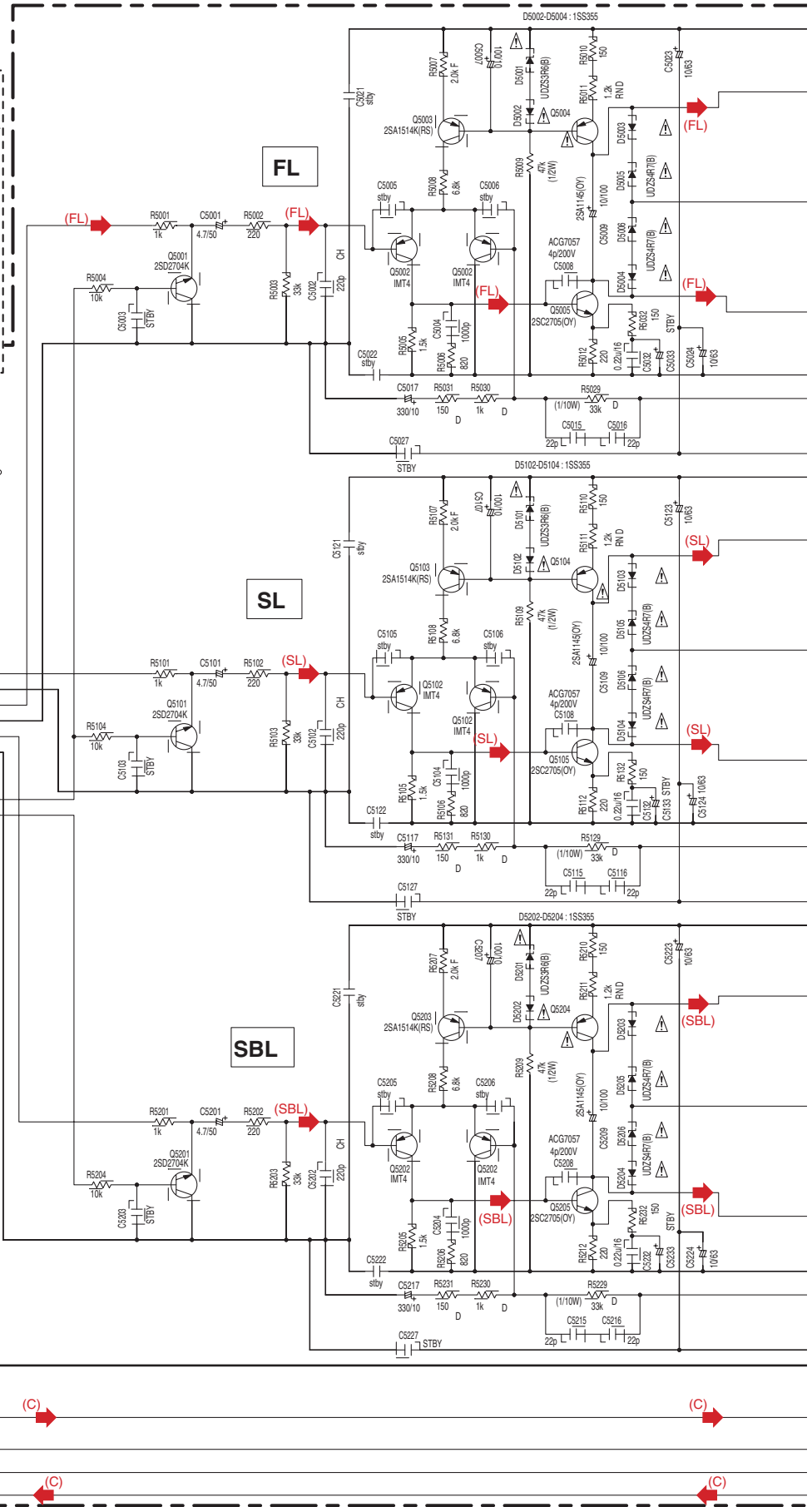
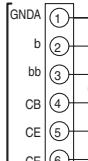
AJ CN5701



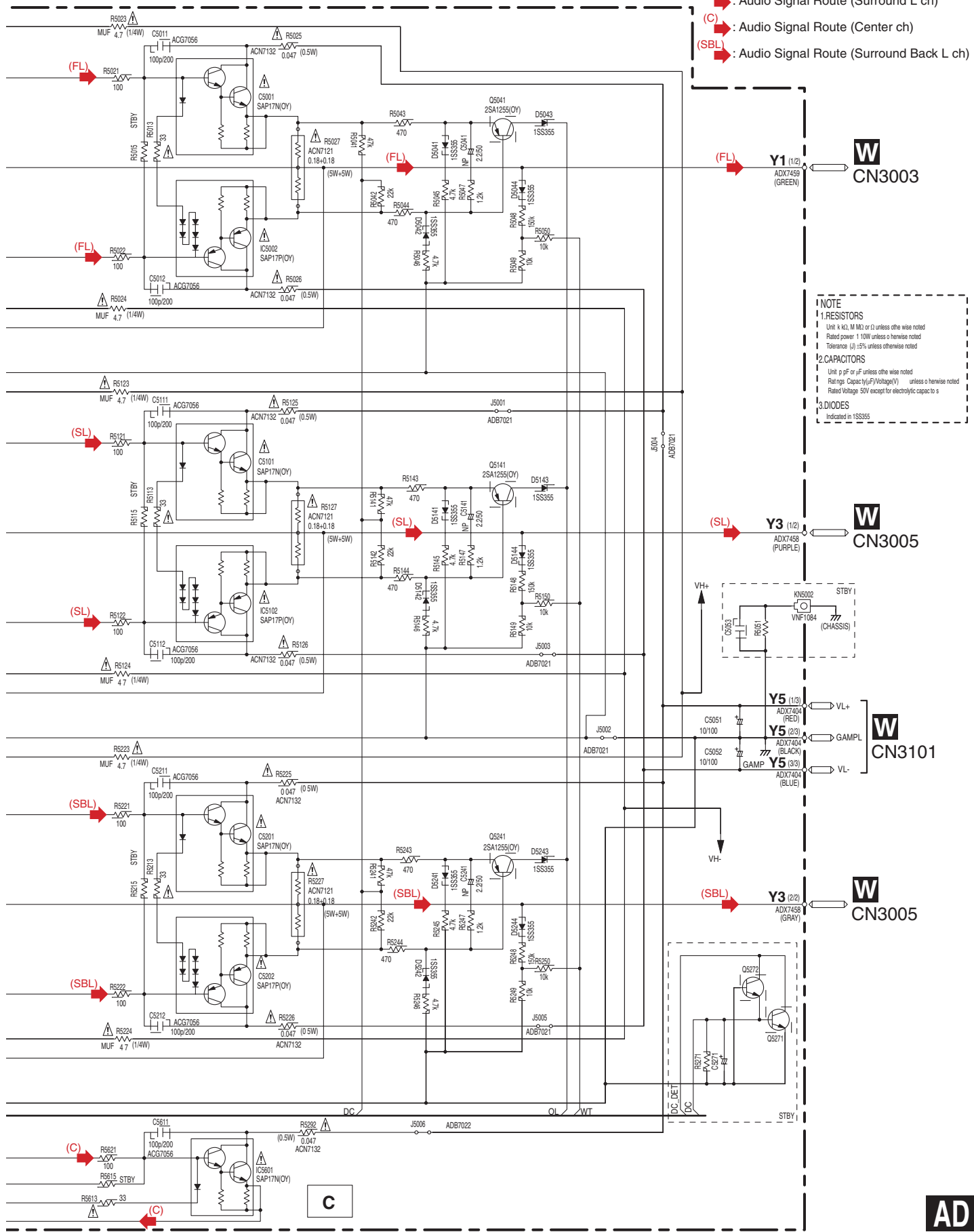
AI CN5601



AI CN5605



- (FL) : Audio Signal Route (Front L ch)
- (SL) : Audio Signal Route (Surround L ch)
- (C) : Audio Signal Route (Center ch)
- (SBL) : Audio Signal Route (Surround Back L ch)

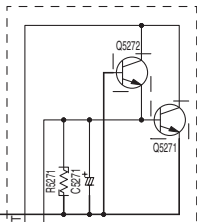
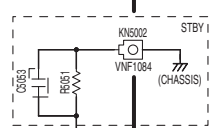


NOTE

1.RESISTORS
 Unit: k, M, Ω or Ω unless otherwise noted
 Rated power: 1/10W unless otherwise noted
 Tolerance: (J) ±5% unless otherwise noted

2.CAPACITORS
 Unit: p, nF or F unless otherwise noted
 Rating: Capacitance (μF)/Voltage(V) unless otherwise noted
 Rated Voltage: 50V except for electrolytic capacitors

3.DIODES
 Indicated in 1SS355



10.17 POWER AMP-R and POSI 1-R ASSYS

1

2

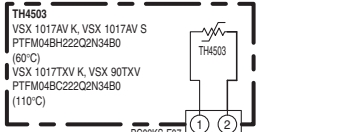
3

4

(C) : Audio Signal Route (Center ch)

AH

POSI 1-R ASSY
 (VSX-1017AV-K, VSX-1017AV-S : AWX9084)
 (VSX-1017TXV-K, VSX-90TXV : AWX9083)

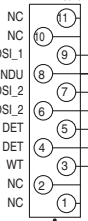


J4551

CN5304
 B2B-PH-K-S

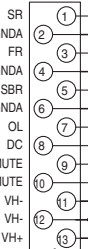
CN5302
 XKP3076

AJ CN5702



CN5301
 XKP3077

AI CN5602

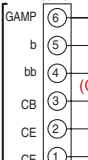


VH+

VH-

CN5303
 KM250NABL

AI CN5606

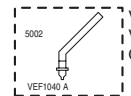


(C)

FR

SR

SBR



C

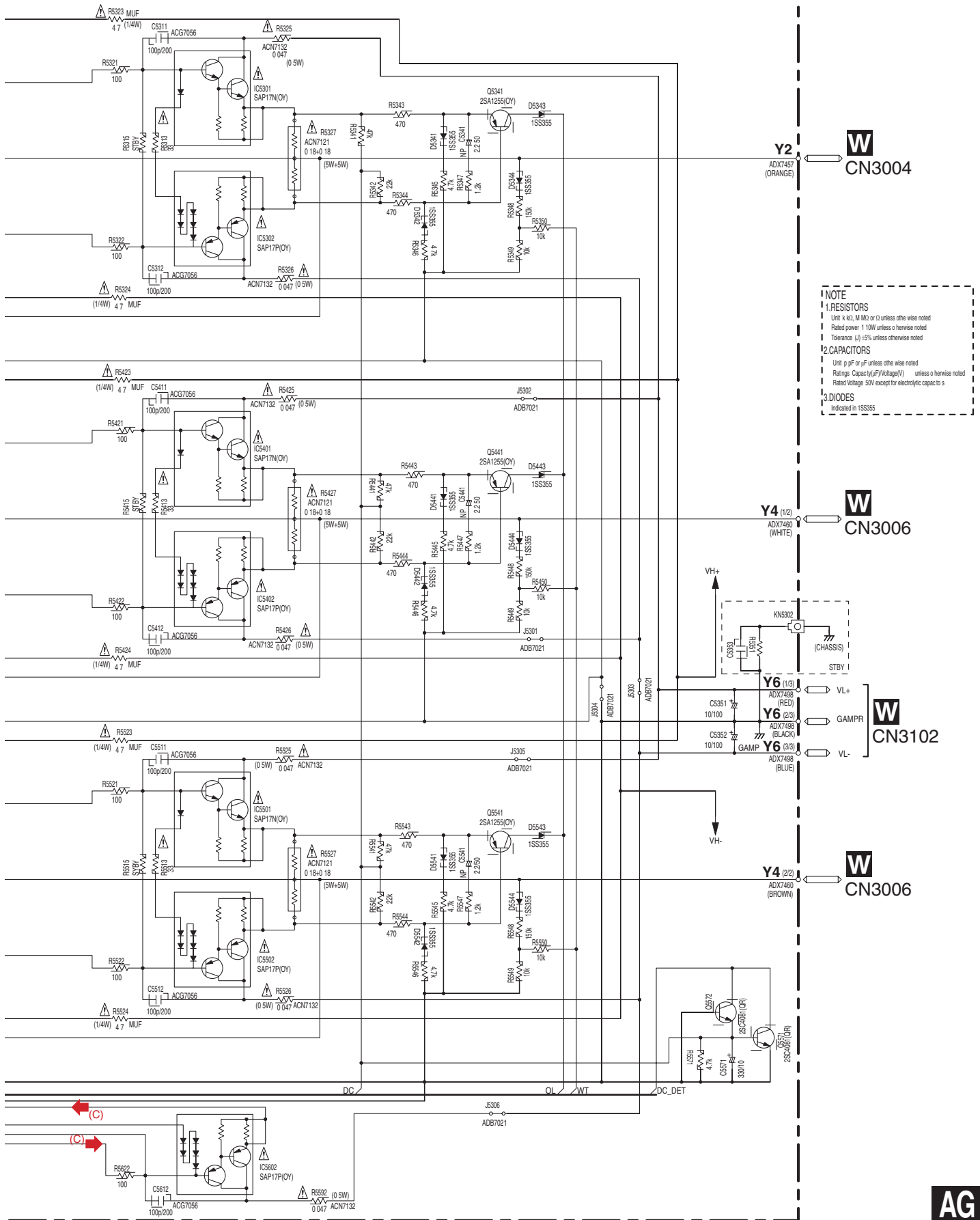
1

2

3

4

AG POWER AMP-R ASSY (VSX-1017AV-K, VSX-1017AV-S : AWX9073)
 (VSX-1017TXV-K, VSX-90TXV : AWX9106)



10.18 BRIDGE 1-L, POWER AMP IN and POWER PROTECT ASSYS

1 2 3 4

A
B
C
D
E
F

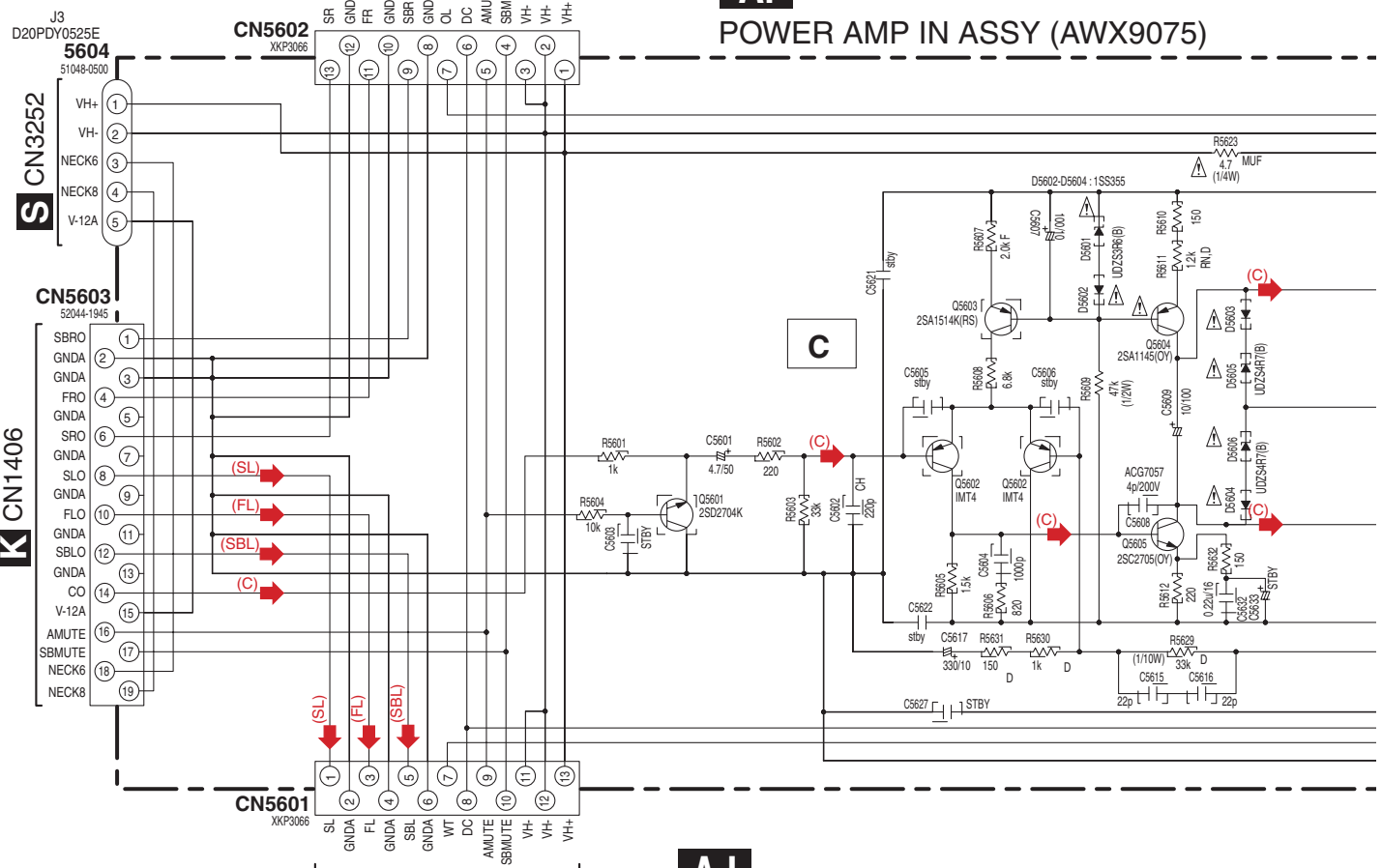
AG CN5301

AI

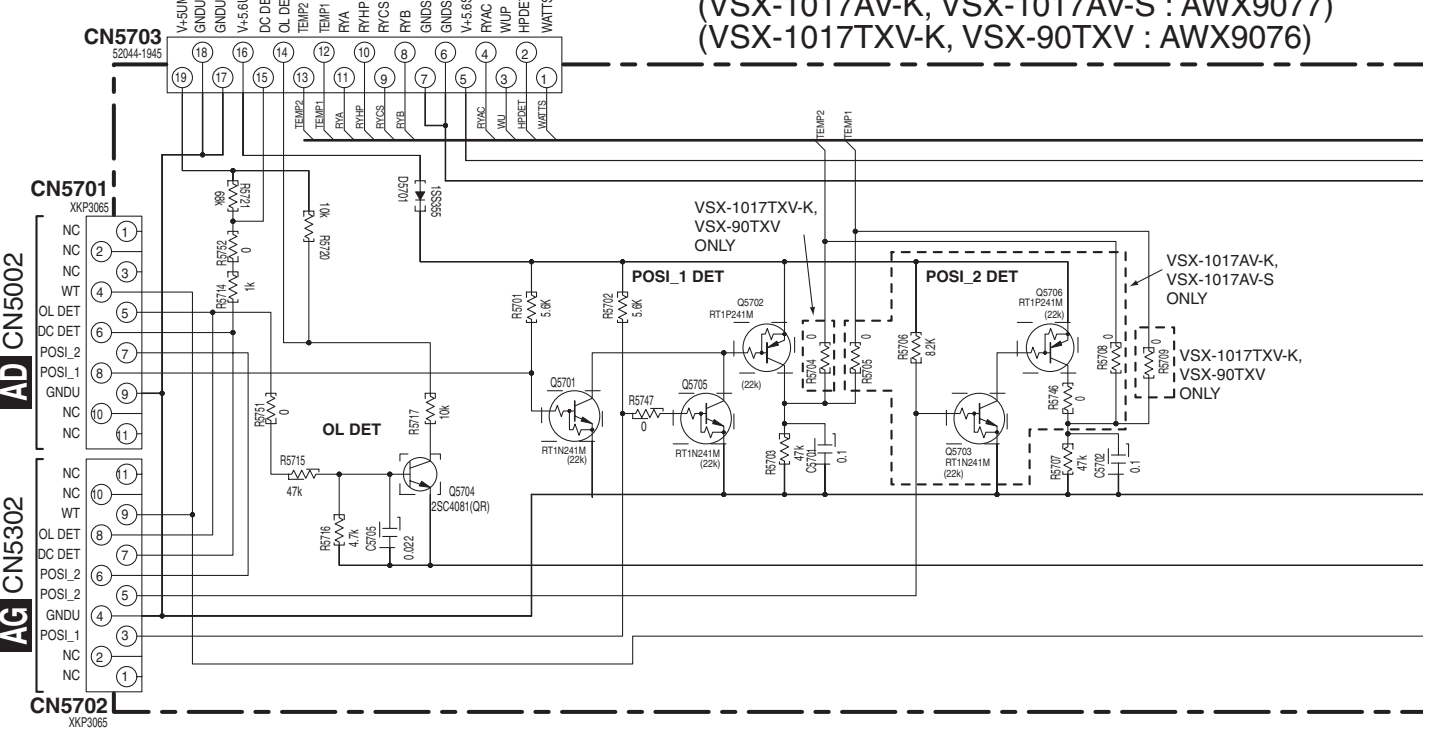
POWER AMP IN ASSY (AWX9075)

AJ

POWER PROTECT ASSY
(VSX-1017AV-K, VSX-1017AV-S : AWX9077)
(VSX-1017TXV-K, VSX-90TXV : AWX9076)



C 1/2 CN103 **AD** CN5001

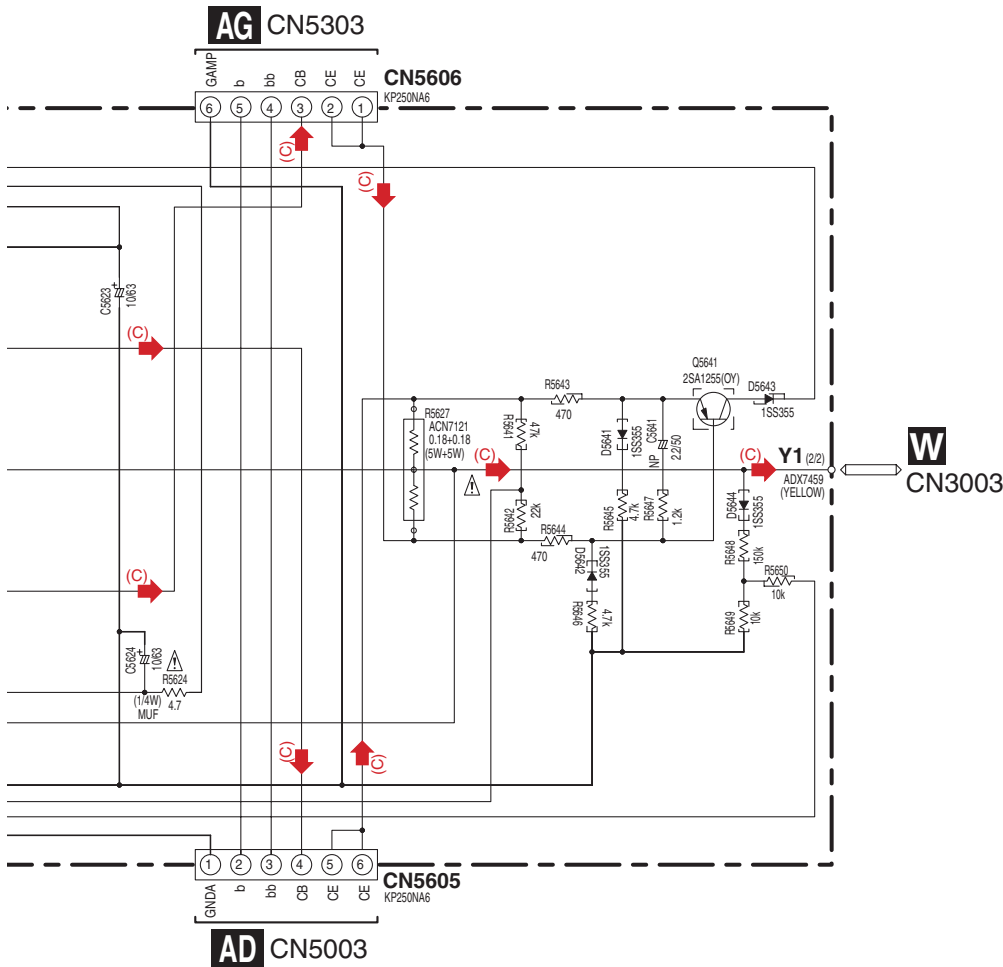


AI **AJ**

VSX-1017AV-K

1 2 3 4

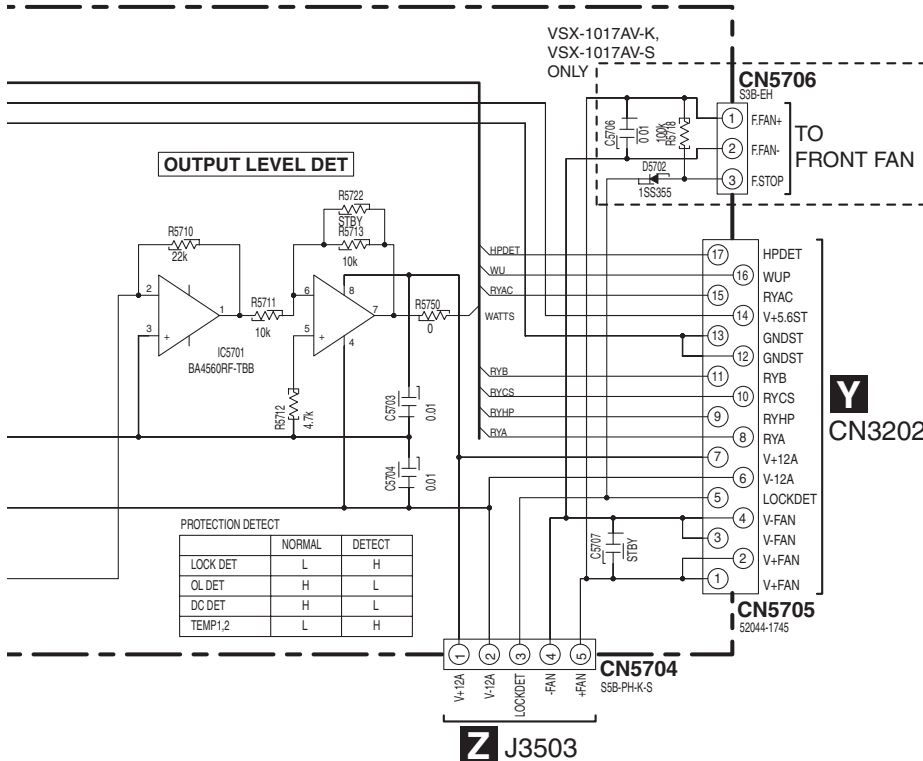
- (FL) : Audio Signal Route (Front L ch)
- (SL) : Audio Signal Route (Surround L ch)
- (C) : Audio Signal Route (Center ch)
- (SBL) : Audio Signal Route (Surround Back L ch)



NOTE

1.RESISTORS
 Unit: k, k Ω , M, M Ω or Ω unless otherwise noted
 Rated power: 1/16W unless otherwise noted
 Tolerance: (J) \pm 5% unless otherwise noted

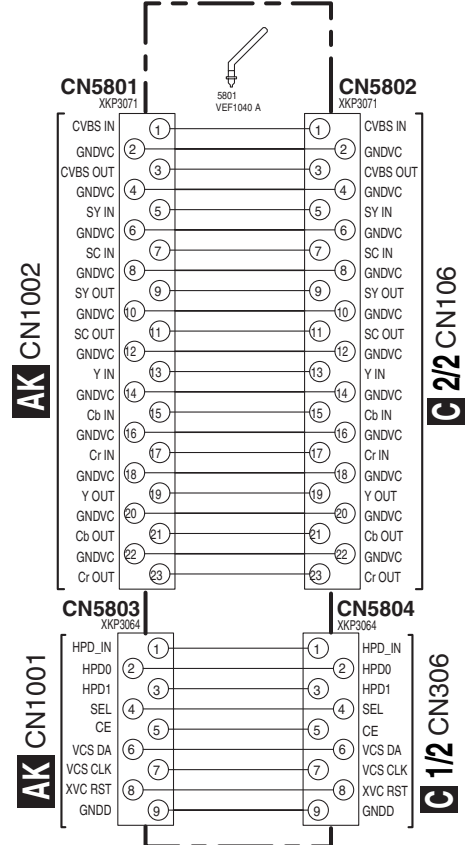
2.CAPACITORS
 Unit: p, pF or μ F unless otherwise noted
 Ratings: Capacity(μ F)/Voltage(V) unless otherwise noted
 Rated Voltage: 50V (except for electrolytic capacitors)



PROTECTION DETECT

	NORMAL	DETECT
LOCK DET	L	H
OL DET	H	L
DC DET	H	L
TEMP1,2	L	H

V
BRIDGE 1-L ASSY
(AWX9079)

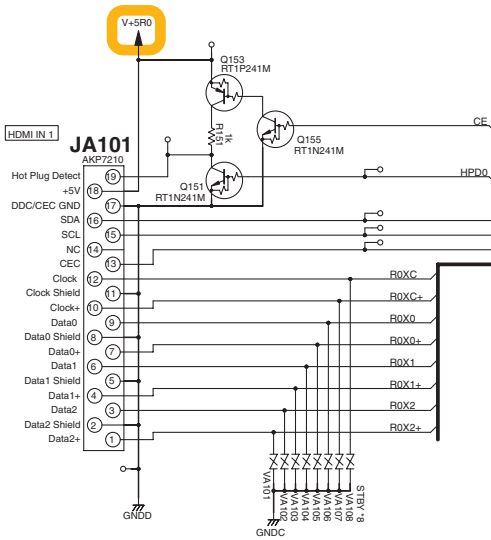


V **AI** **AJ**

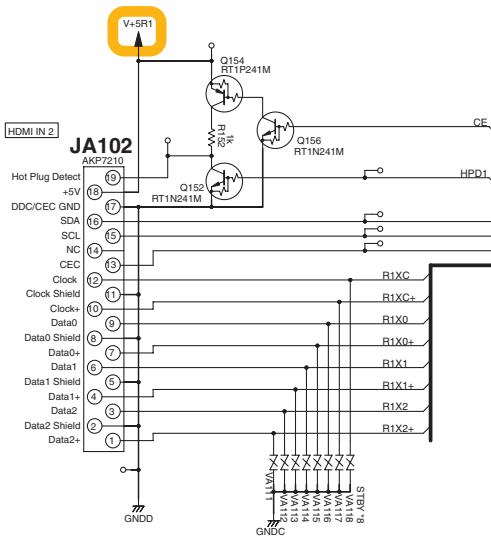
10.19 HDMI & DVC ASSY

AK HDMI & DVC ASSY (AWQ7039)

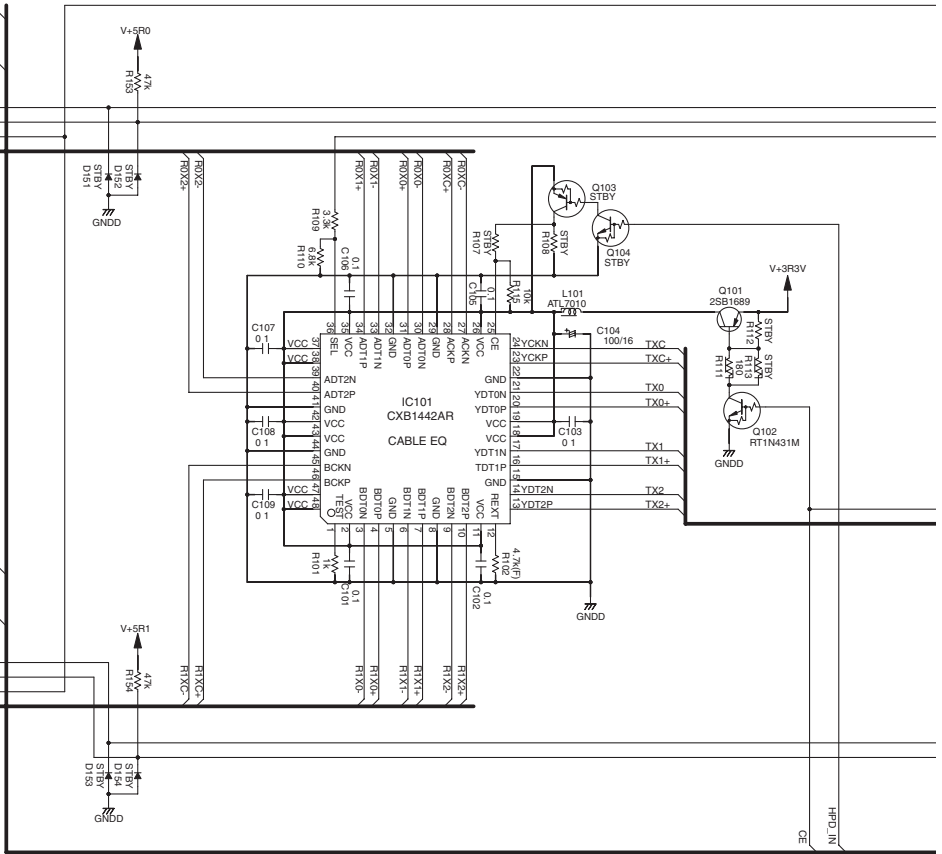
A



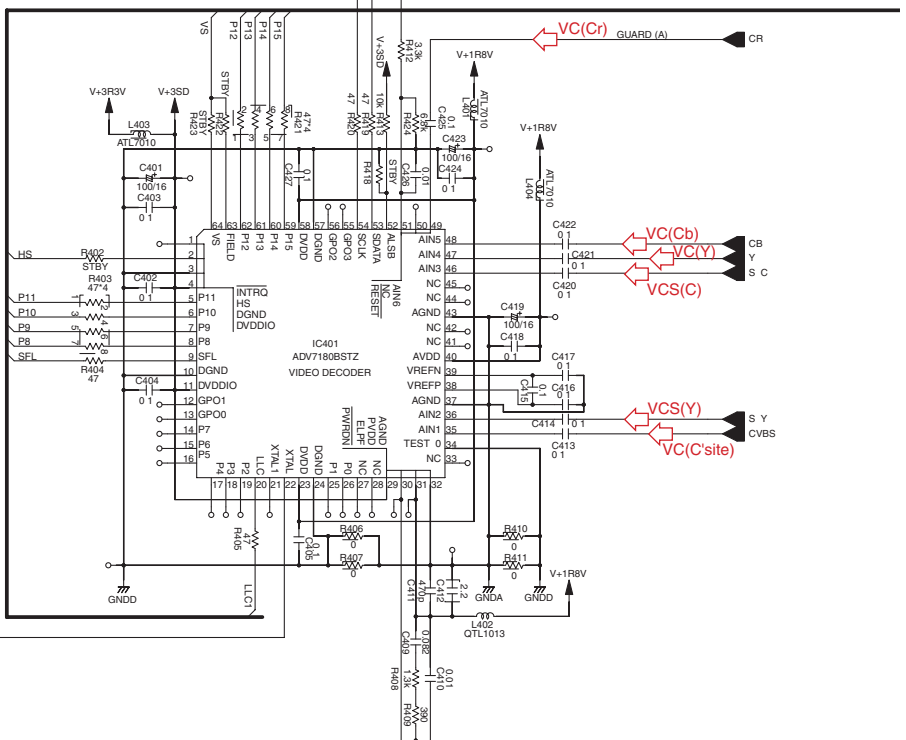
B



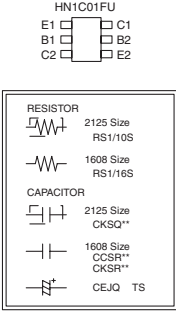
C



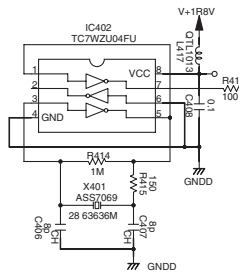
D



E



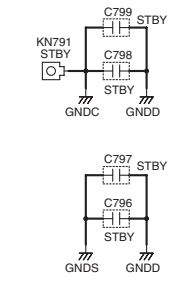
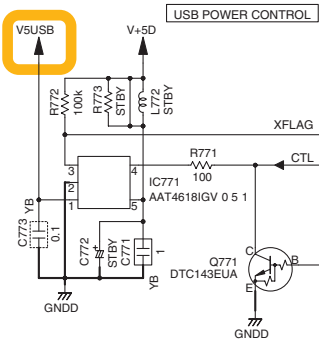
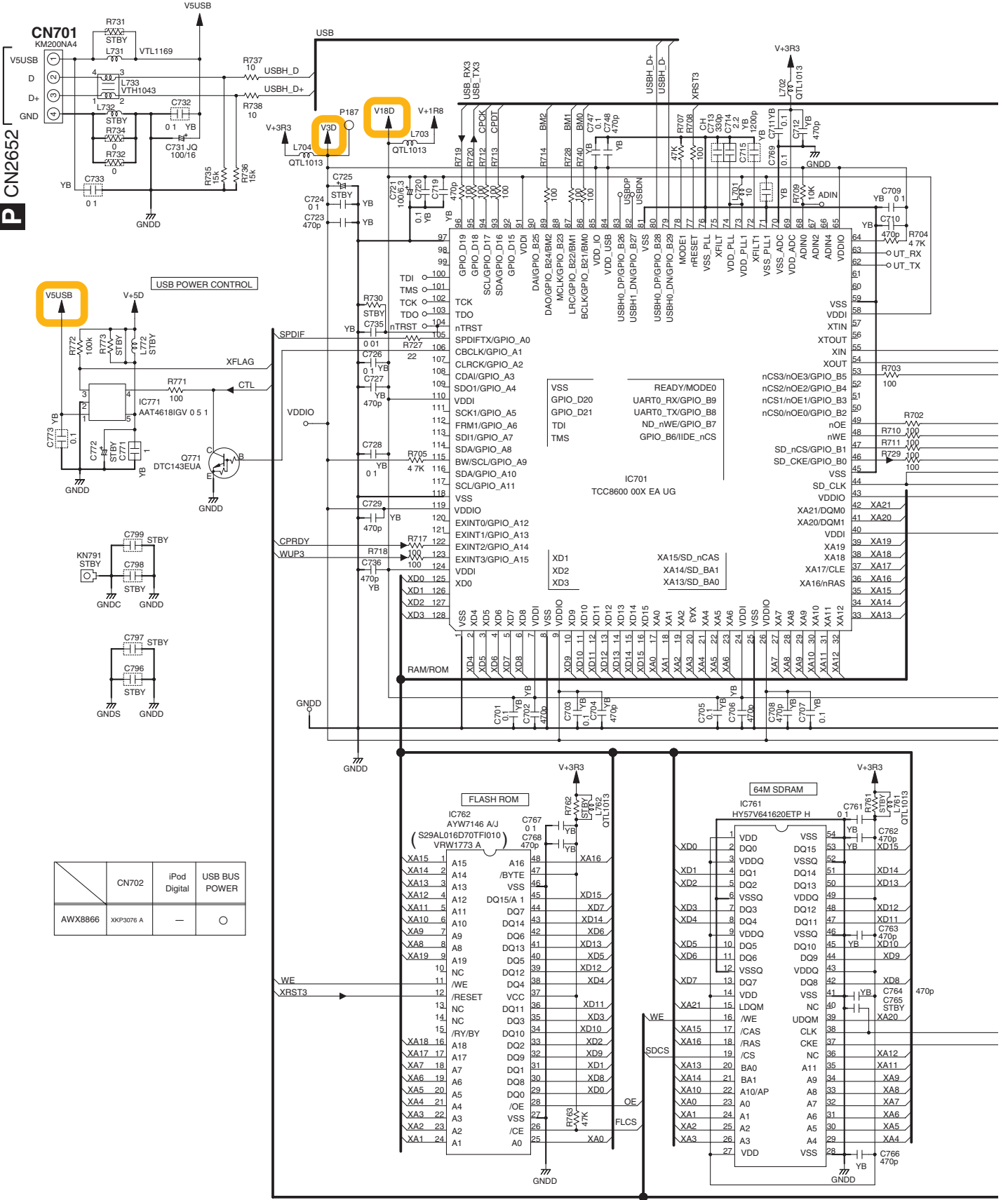
F



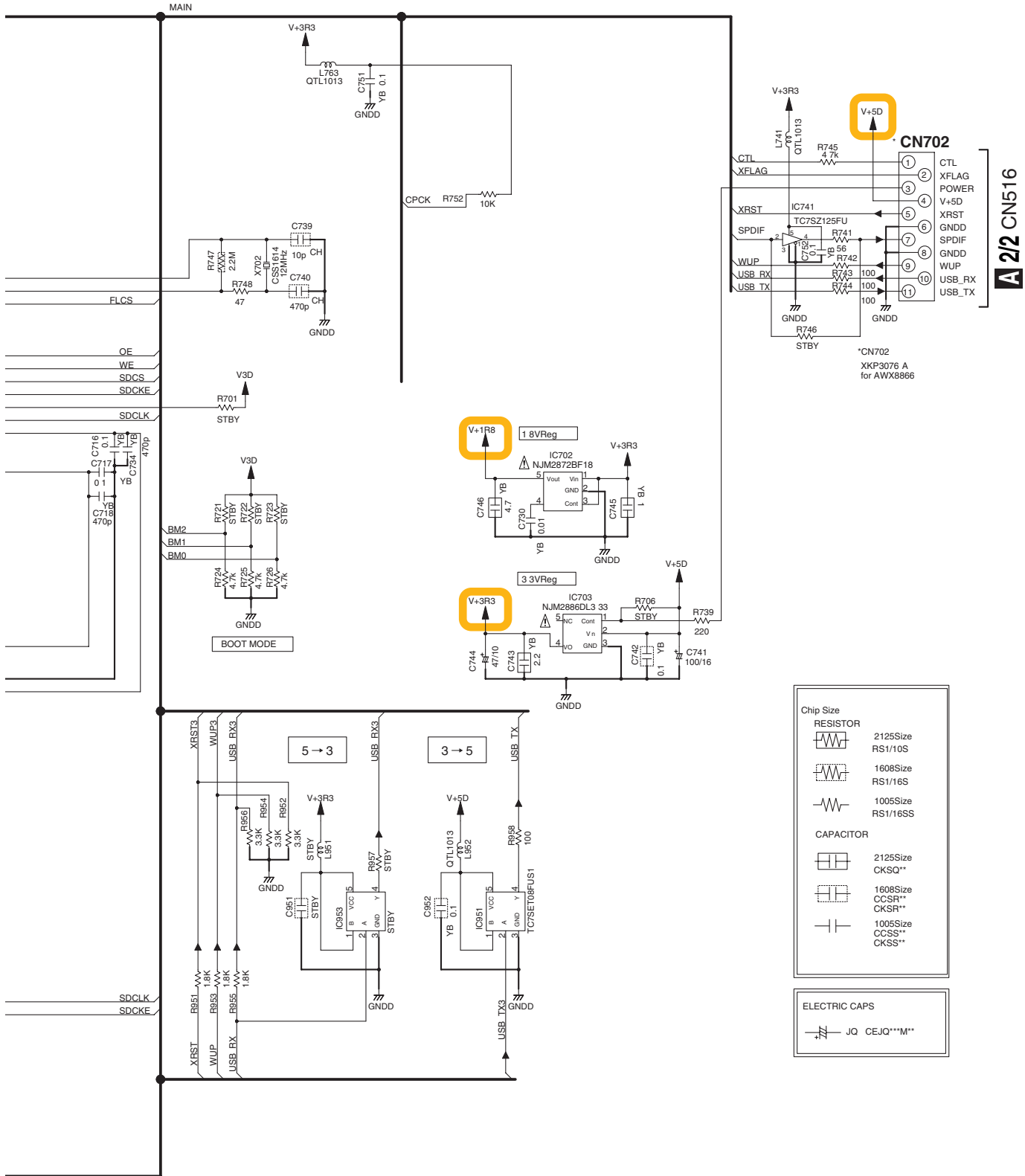
10.20 USB ASSY (VSX-1017AV ONLY)

AL USB ASSY (AWX8866)

A
B
C
D
E
F



	CN702	iPod Digital	USB BUS POWER
AWX8866	XKP3076 A	-	○



Chip Size	
	RESISTOR
	2125Size
	RS1/10S
	1608Size
	RS1/16S
	1005Size
	RS1/16SS
	CAPACITOR
	2125Size
	CKSQ**
	1608Size
	CCSR**
	CKSR**
	1005Size
	CCSS**
	CKSS**

ELECTRIC CAPS	
	JQ CEJQ***M**

A

B

C

D


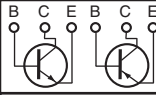

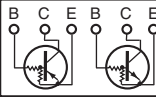

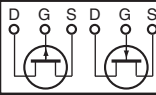

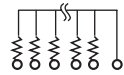
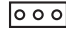
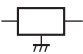
E

F

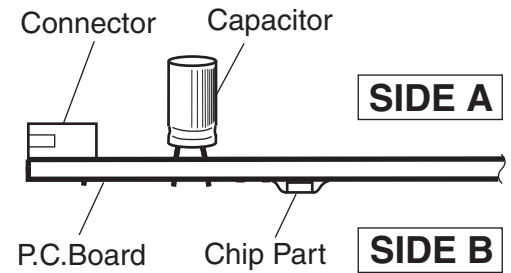
11. PCB CONNECTION DIAGRAM

NOTE FOR PCB DIAGRAMS :

1. Part numbers in PCB diagrams match those in the schematic diagrams.
2. A comparison between the main parts of PCB and schematic diagrams is shown below.

Symbol In PCB Diagrams	Symbol In Schematic Diagrams	Part Name
		Transistor
		Transistor with resistor
		Field effect transistor
		Resistor array
		3-terminal regulator

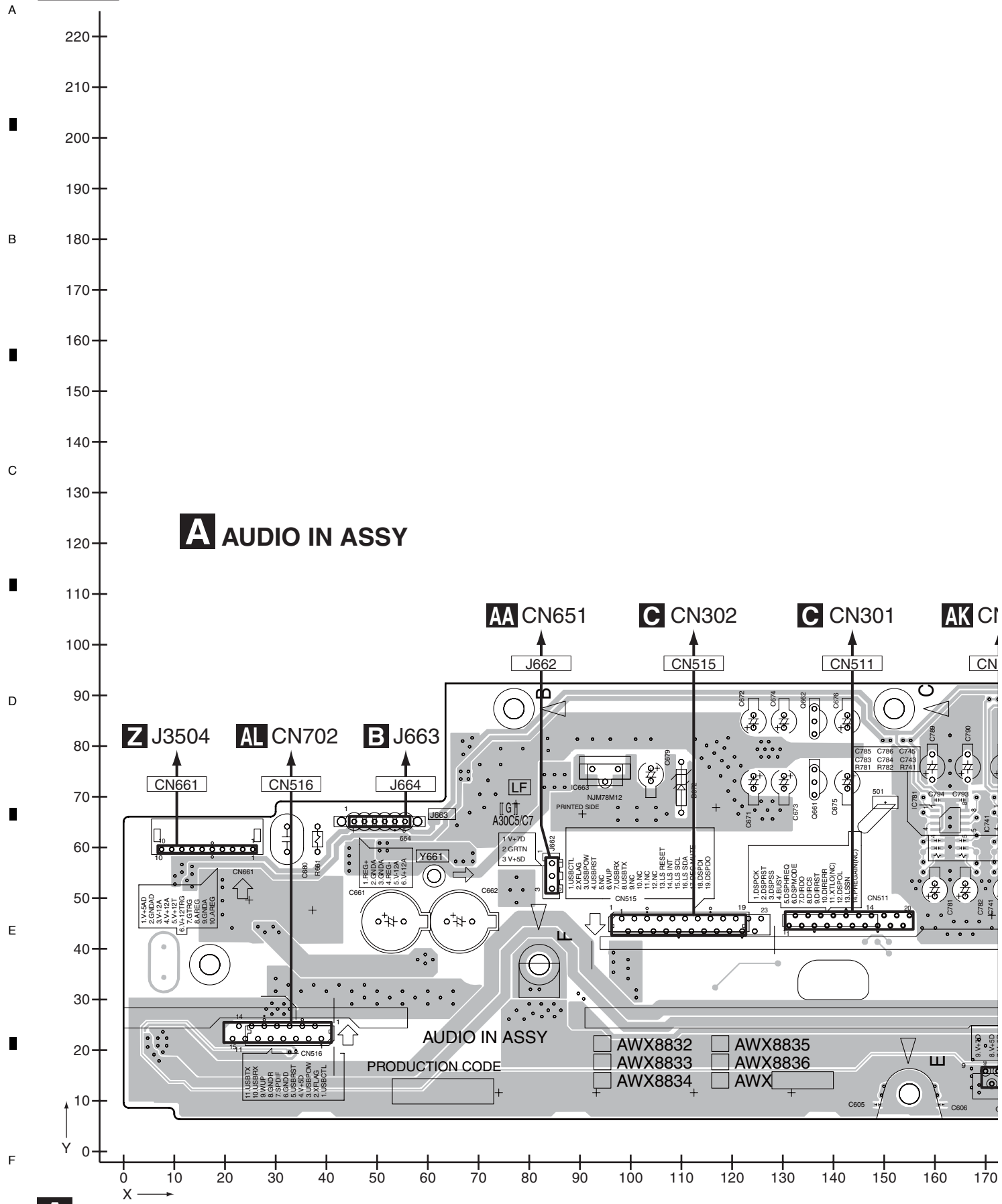
3. The parts mounted on this PCB include all necessary parts for several destinations.
For further information for respective destinations, be sure to check with the schematic diagram.
4. View point of PCB diagrams.



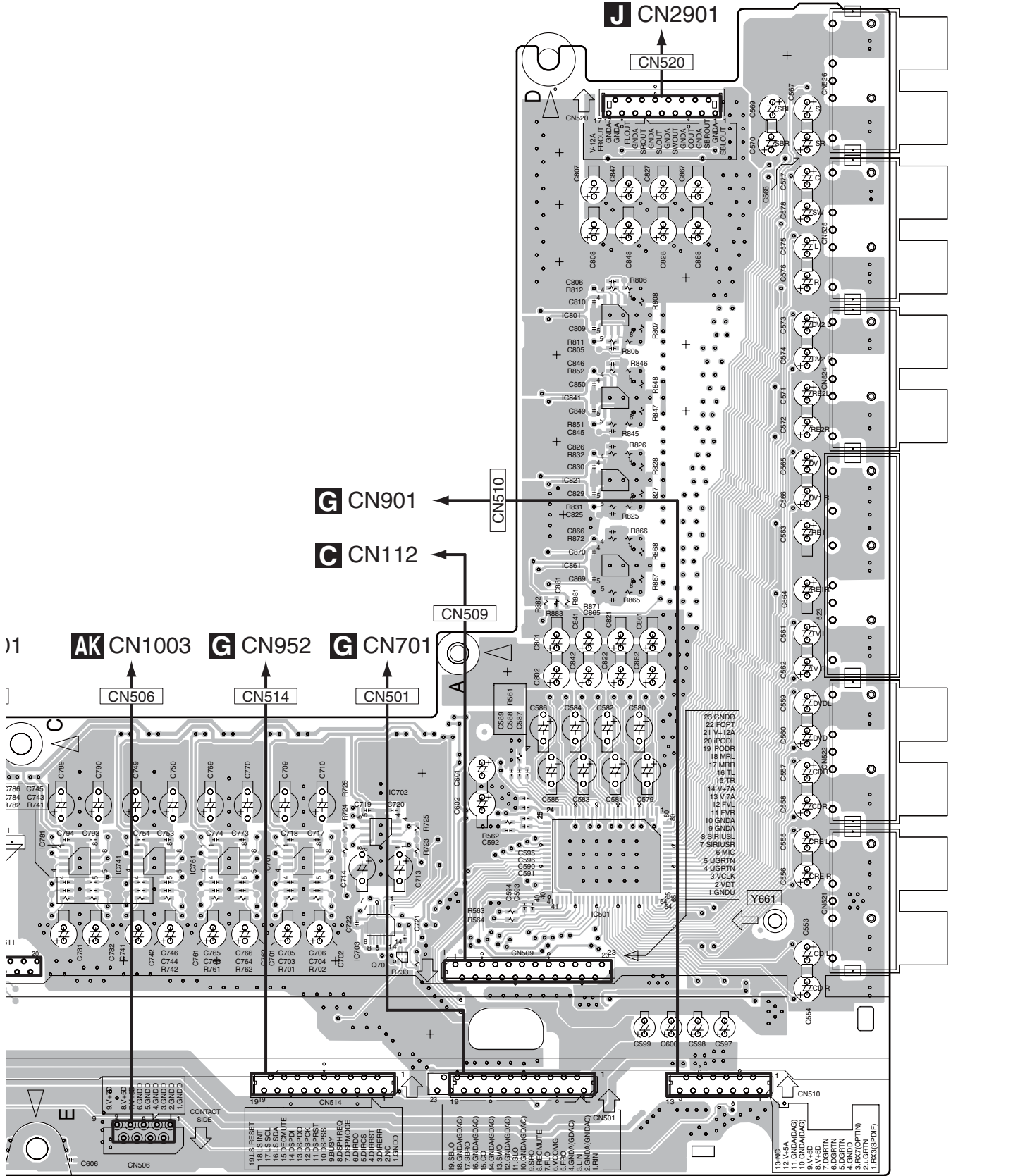
11.1 AUDIO IN ASSY

SIDE A

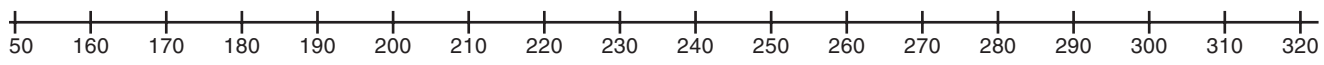
A AUDIO IN ASSY



SIDE A



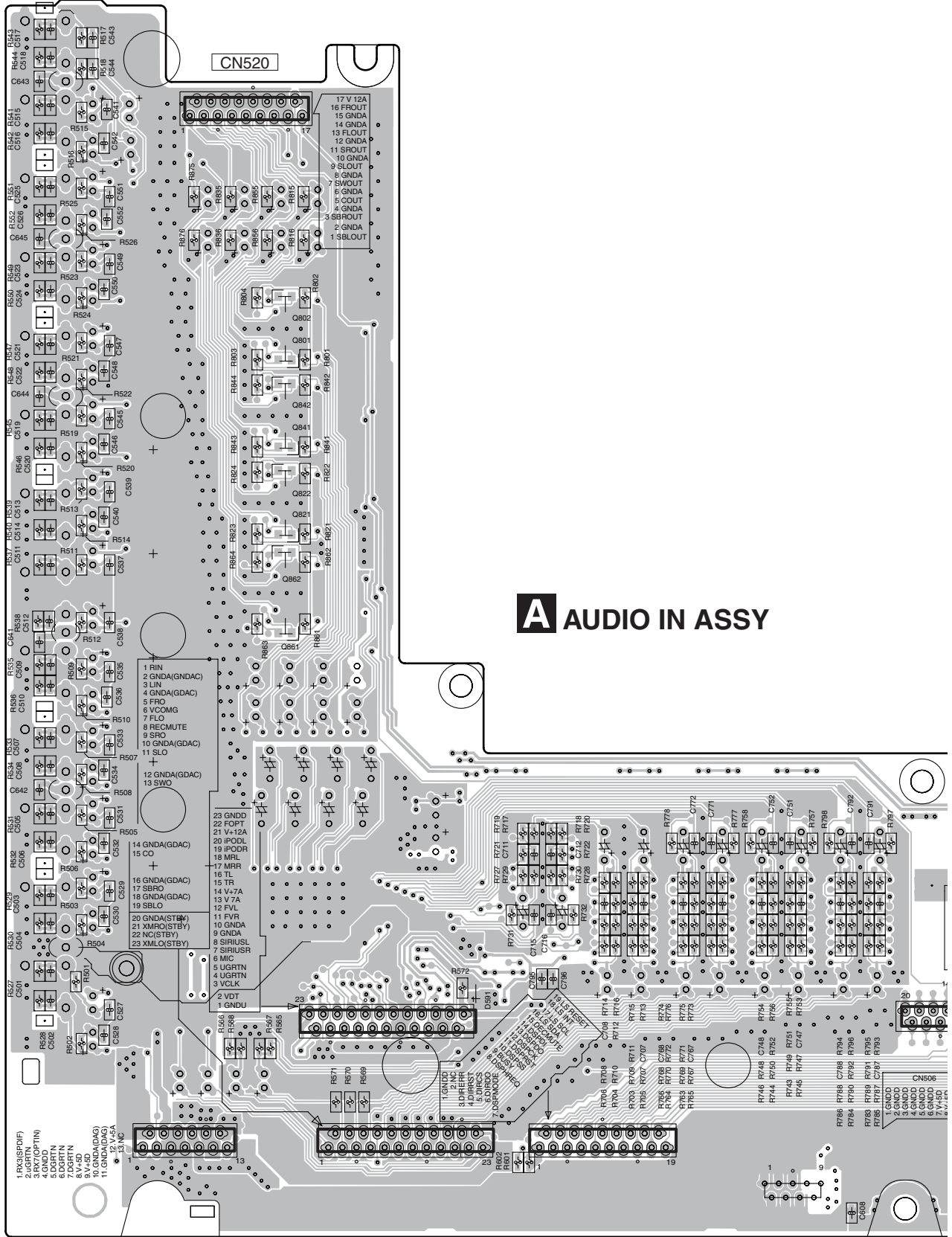
(ANP7597-B)



VSX-1017AV-K

A

SIDE B



A AUDIO IN ASSY

(ANP7597-B)

CN510

CN509

CN501

CN514

CN506

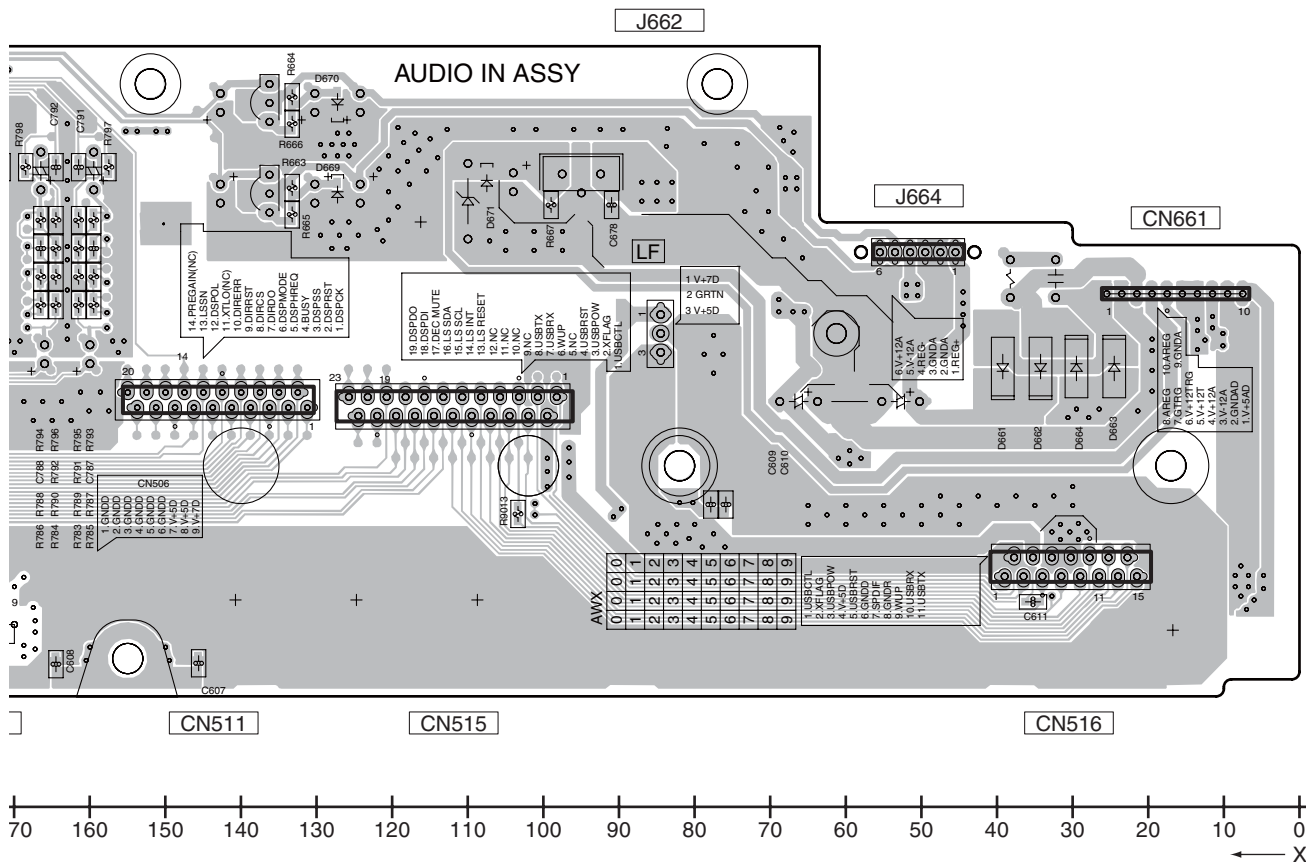
320 310 300 290 280 270 260 250 240 230 220 210 200 190 180 170 160 150

A

130

VSX-1017AV-K

SIDE B



220
210
200
190
180
170
160
150
140
130
120
110
100
90
80
70
60
50
40
30
20
10
0 Y

A
B
C
D
E
F

70 160 150 140 130 120 110 100 90 80 70 60 50 40 30 20 10 0 X

VSX-1017AV-K

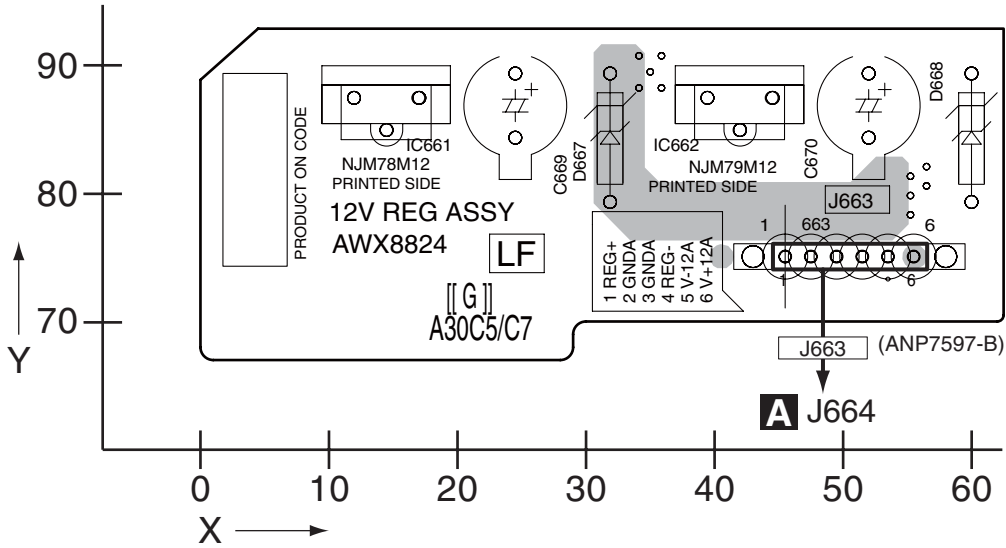
A

11.2 12V-REG ASSY

SIDE A

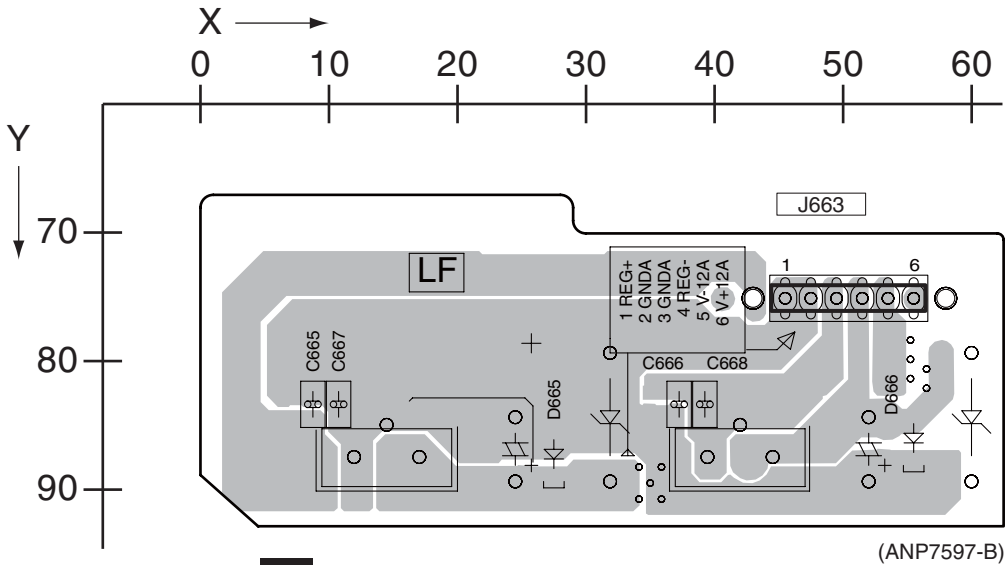
SIDE A

B 12V-REG ASSY



SIDE B

SIDE B



B 12V-REG ASSY

B

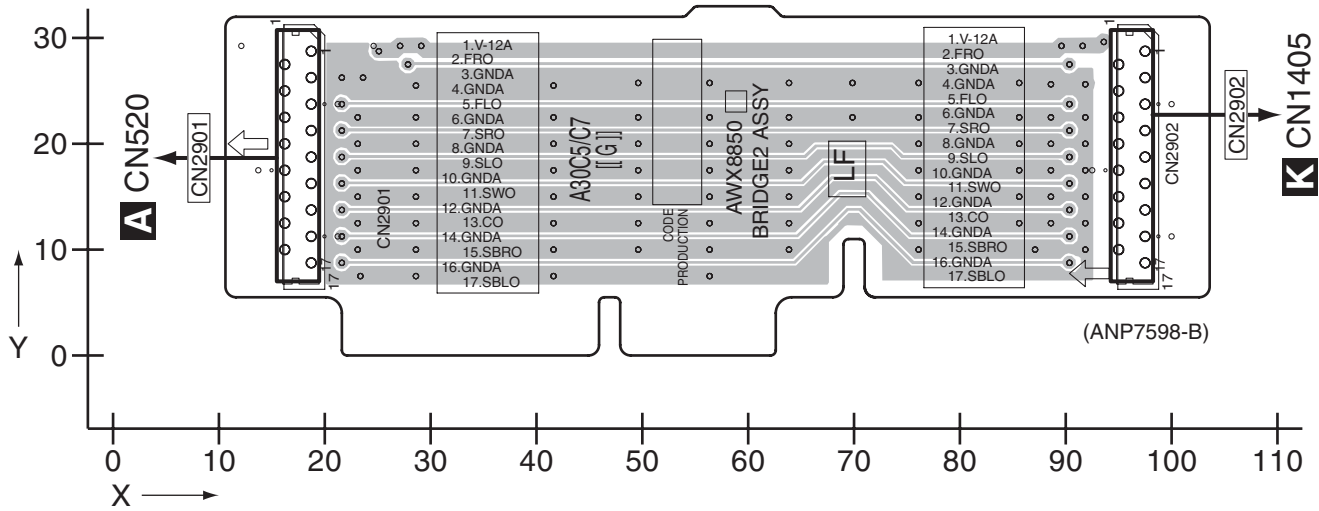
B

11.3 BRIDGE 2 ASSY

SIDE A

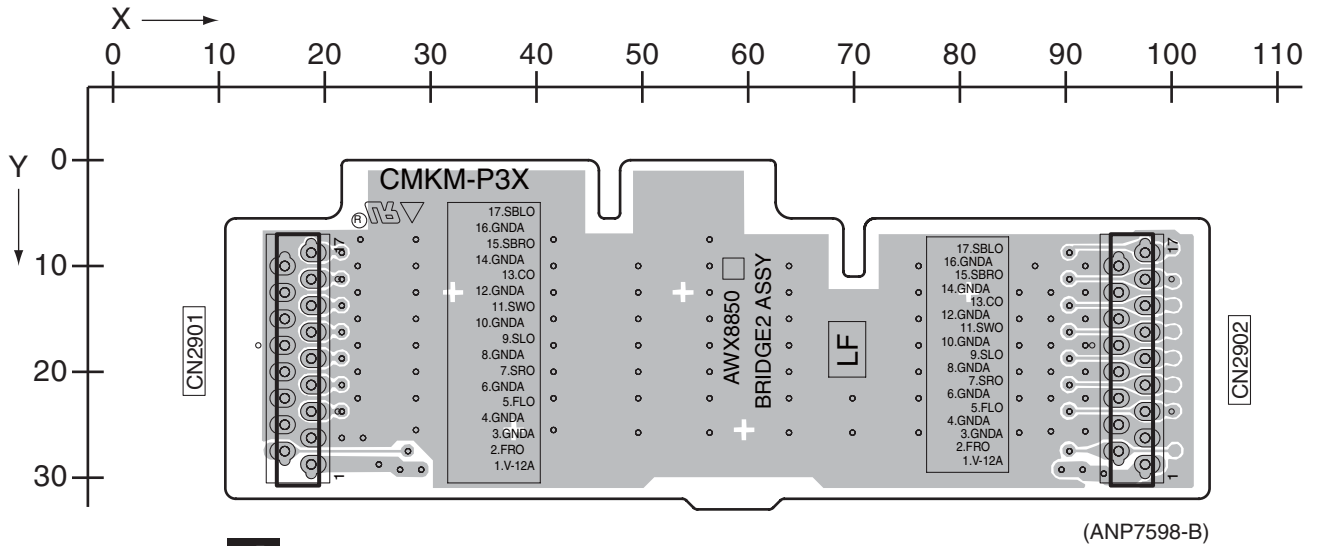
SIDE A

J BRIDGE 2 ASSY



SIDE B

SIDE B



J BRIDGE 2 ASSY

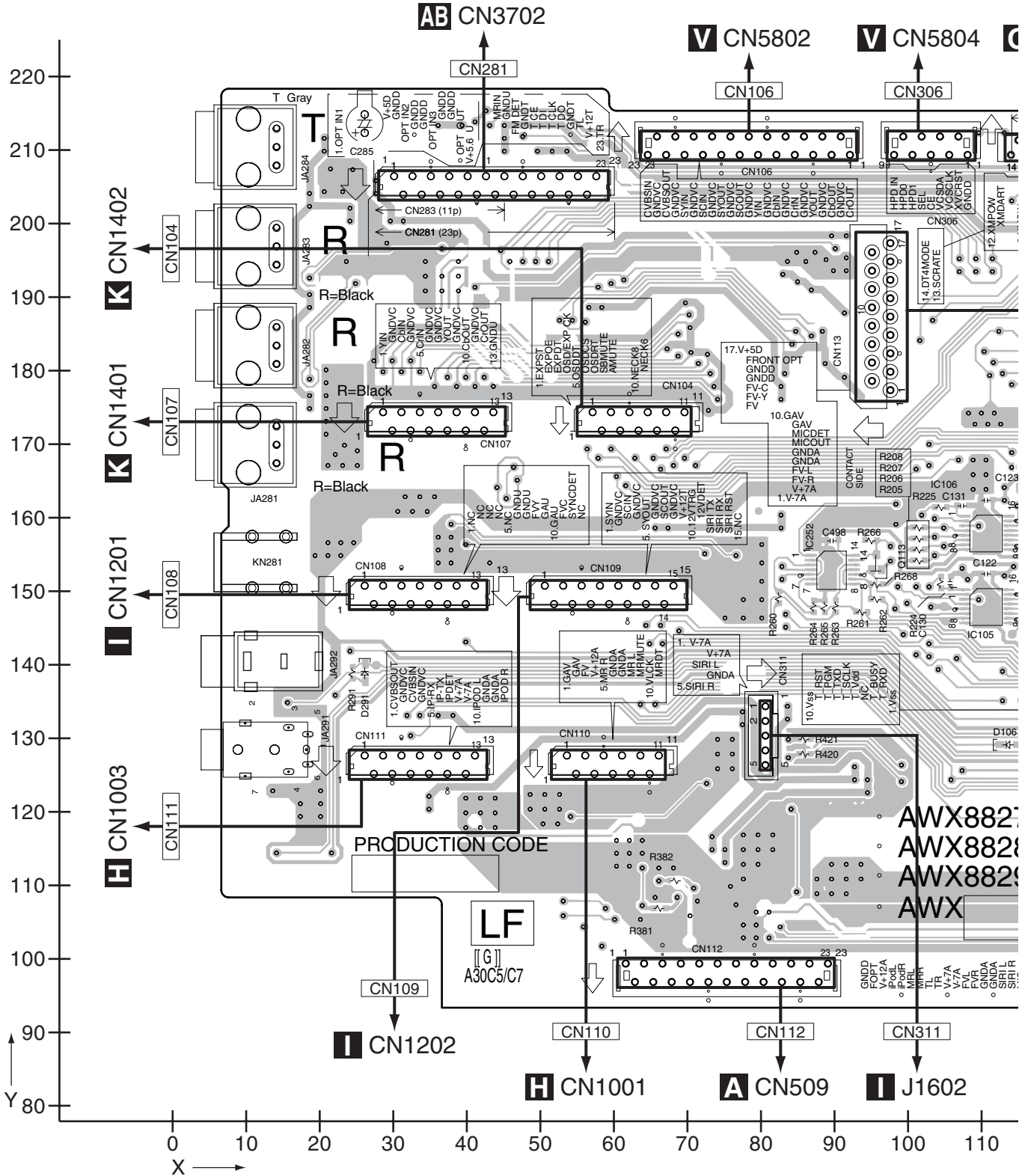
J

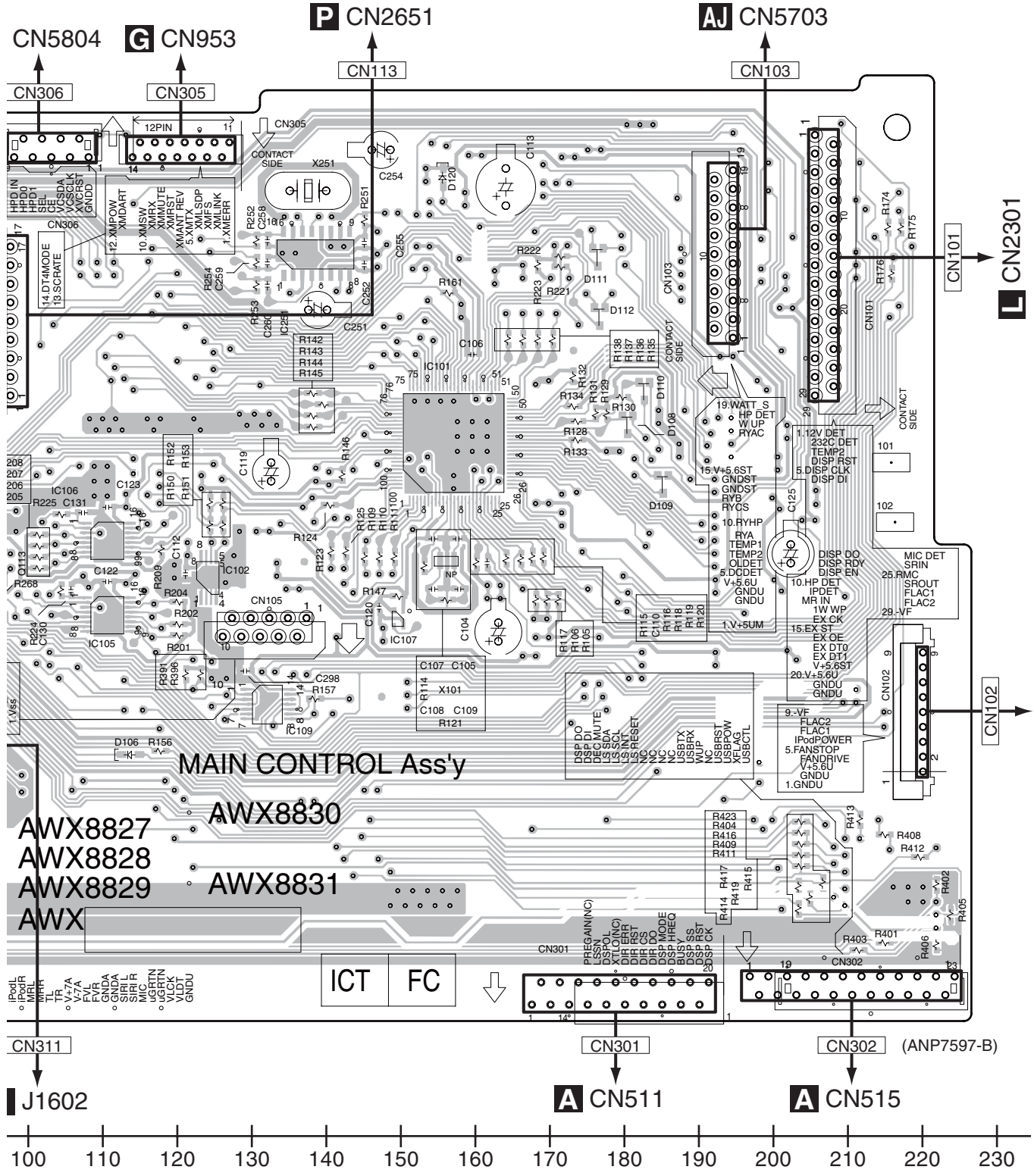
J

11.4 MAIN CONTROL ASSY

SIDE A

C MAIN CONTROL ASSY





MAIN CONTROL Ass'y

- AWX8827
- AWX8828
- AWX8829
- AWX8830
- AWX8831

ICT FC

CN311

A CN511

A CN515

J1602

CN301

CN302 (ANP7597-B)

CN113

CN103

L CN2301

Z 3502

CN5804

G CN953

P CN2651

AJ CN5703

CN306

CN305

CN305

CN103

L CN2301

Z 3502

CN311

CN301

CN302 (ANP7597-B)

J1602

A CN511

A CN515

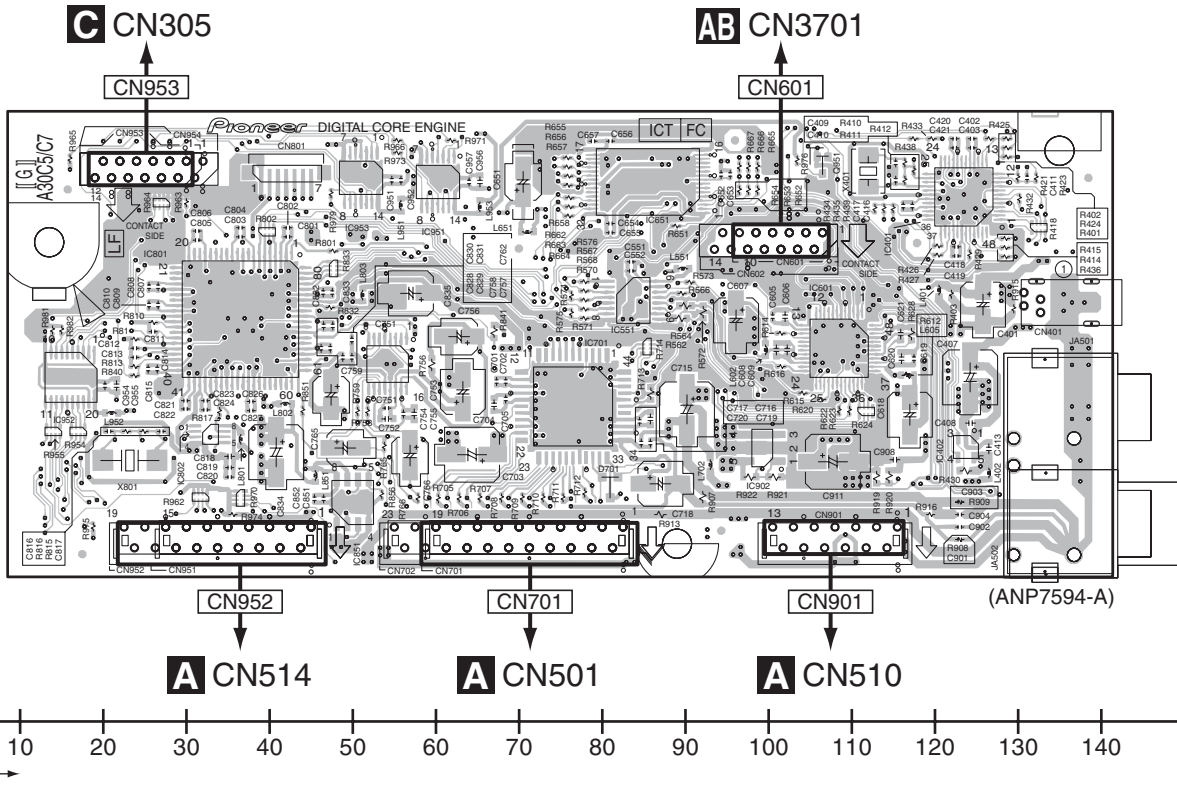
100 110 120 130 140 150 160 170 180 190 200 210 220 230

11.5 DSP ASSY

SIDE A

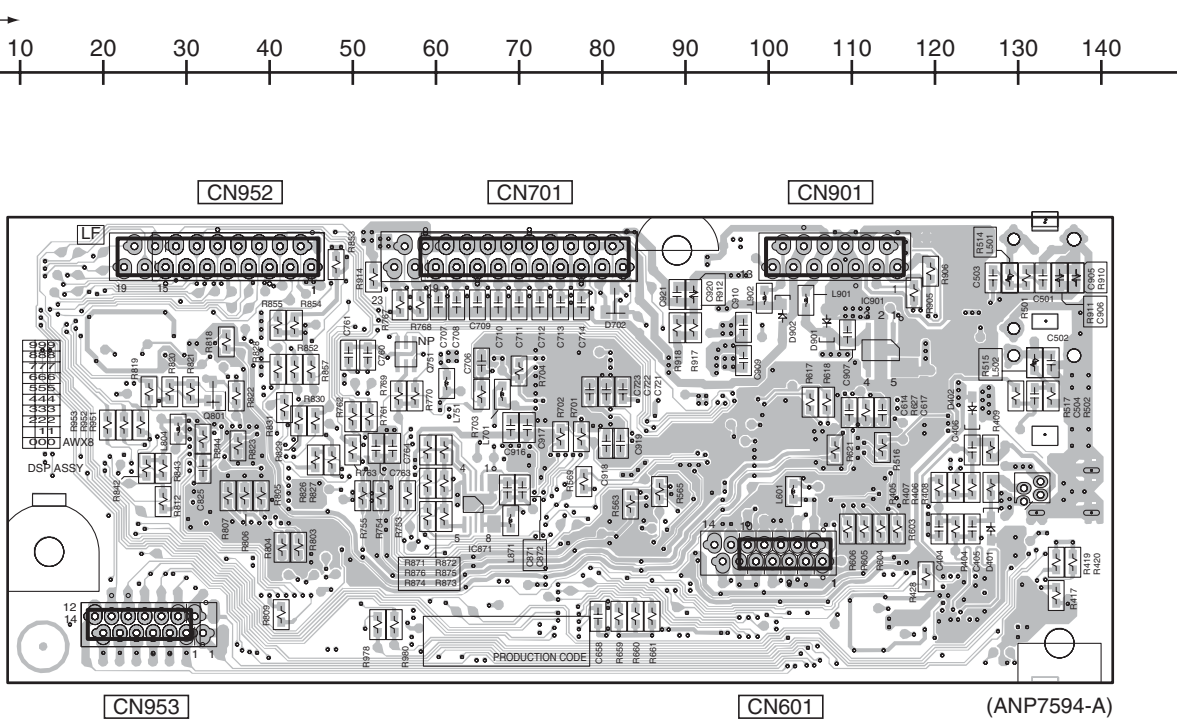
SIDE A

G DSP ASSY



SIDE B

SIDE B

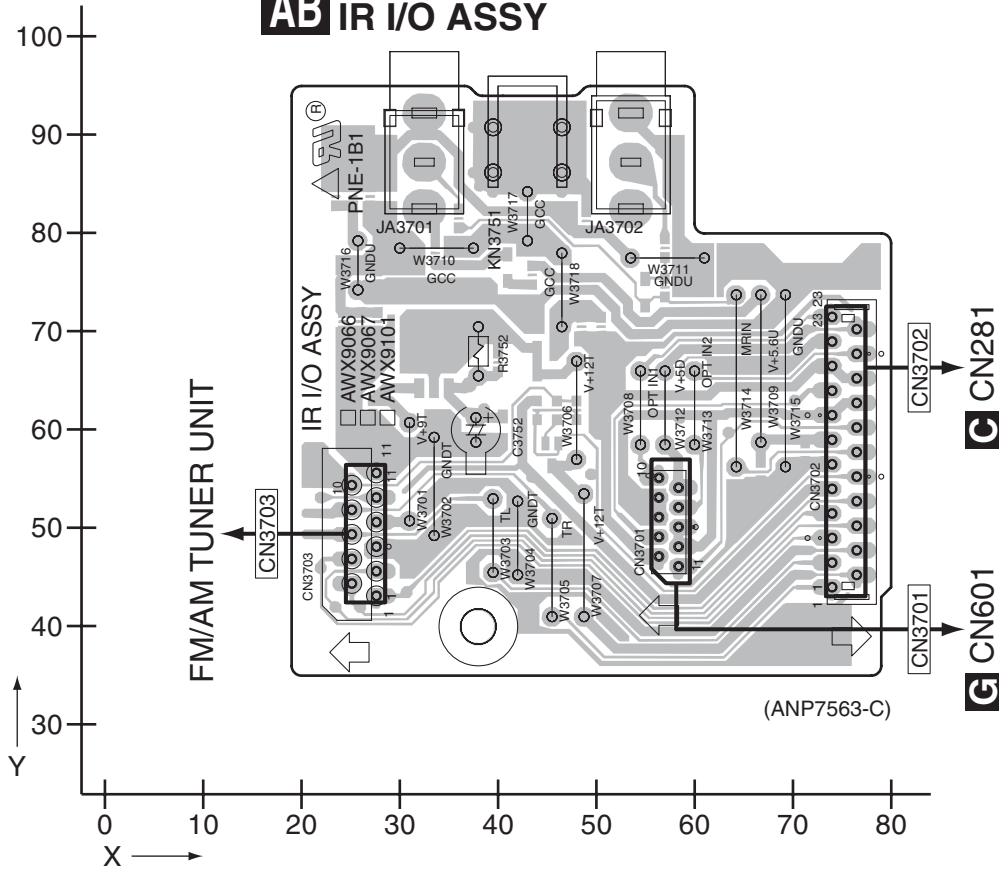


G DSP ASSY

G

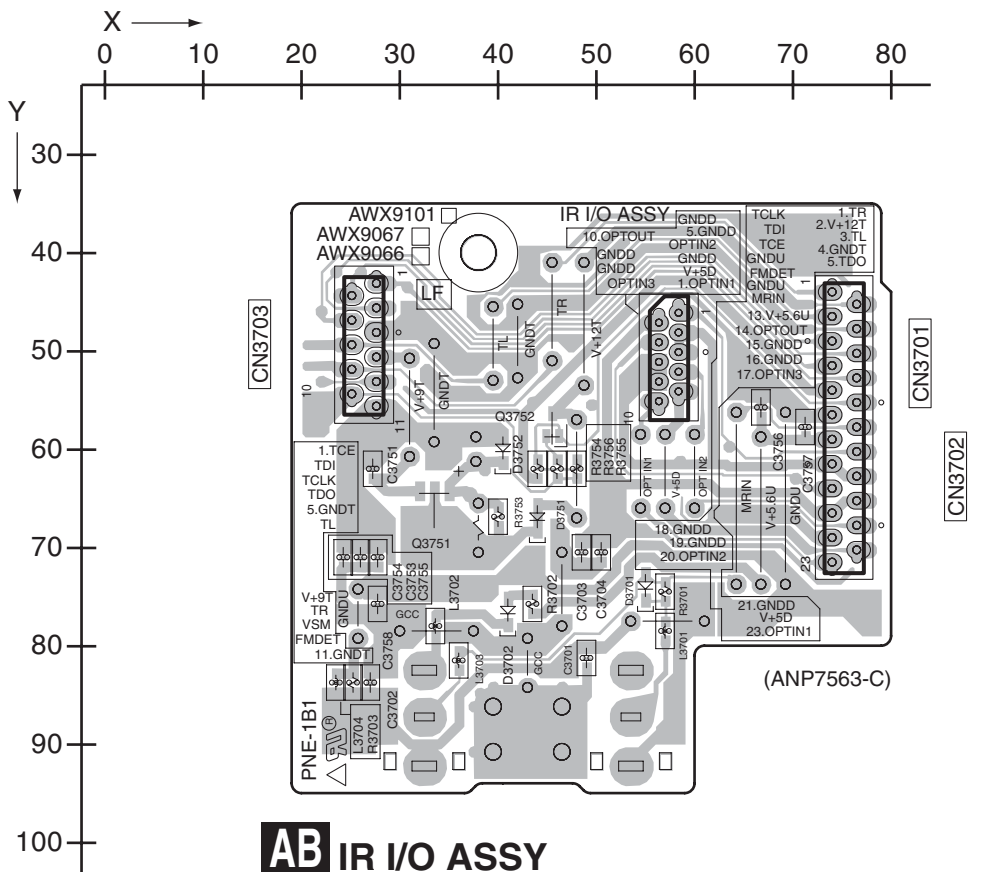
11.6 IR I/O ASSY

SIDE A



SIDE A

SIDE B



SIDE B

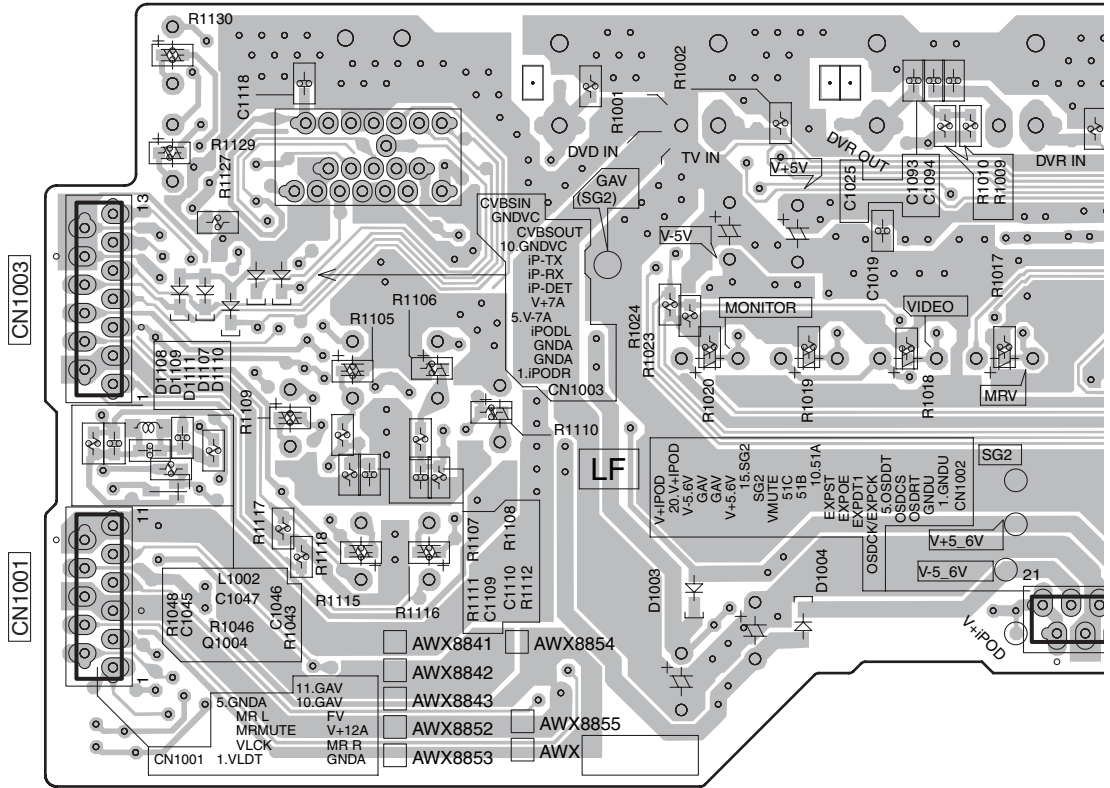
AB

AB IR I/O ASSY

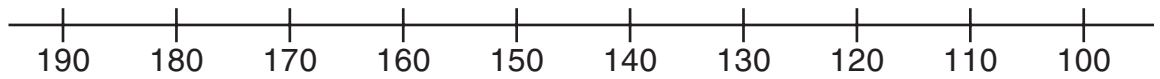
AB

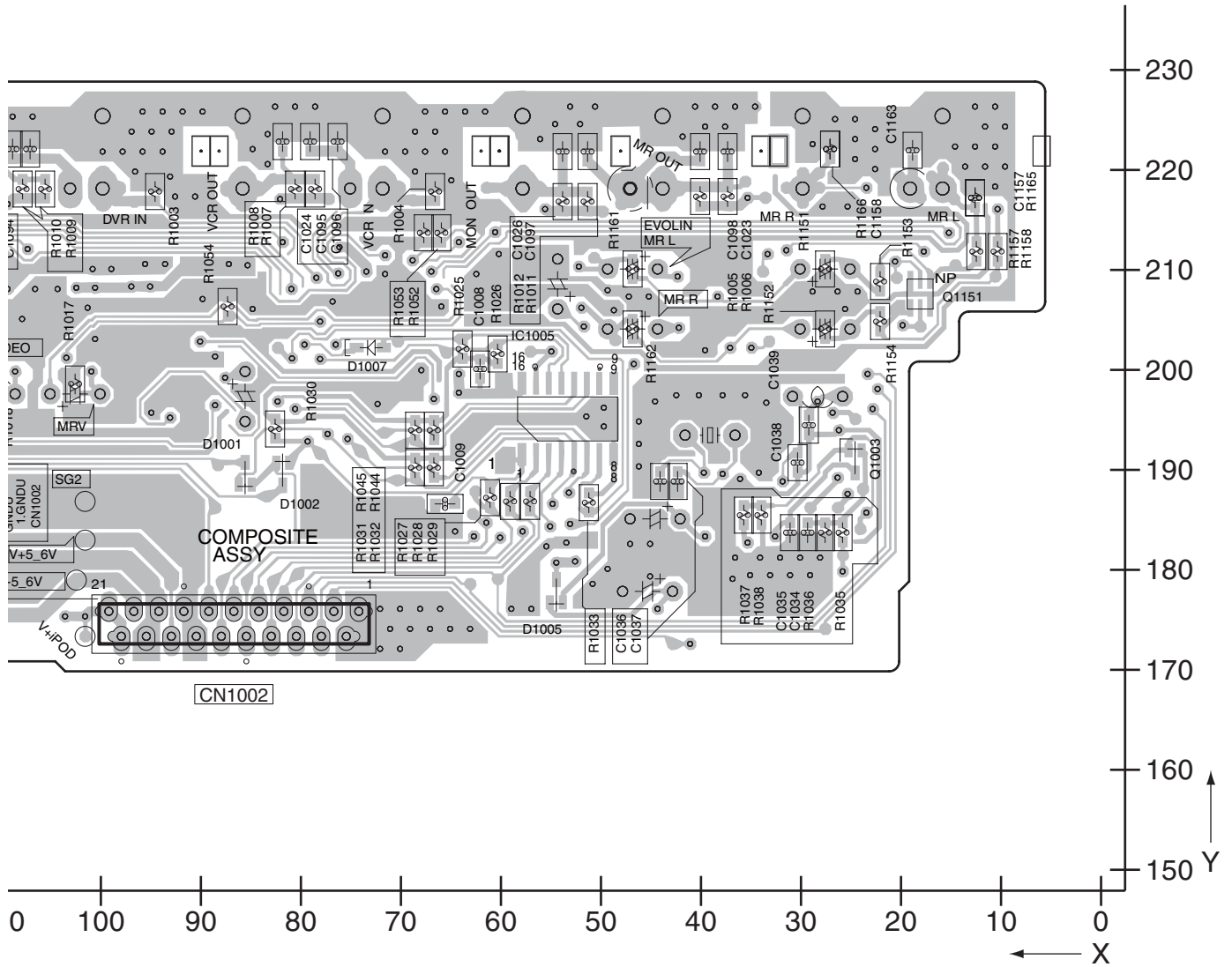
SIDE B

COMPOSITE ASSY



(ANP7598-B)

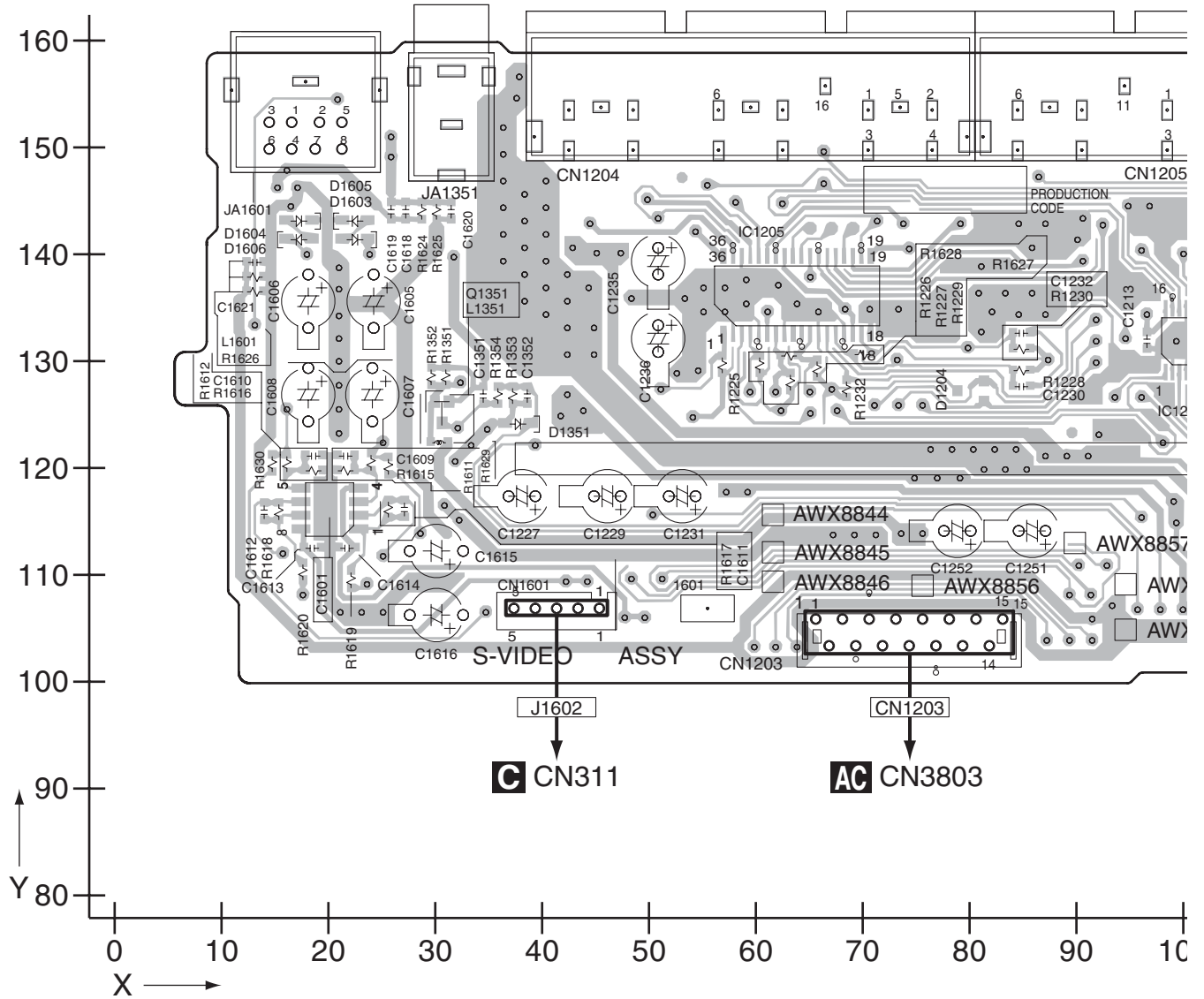




11.8 S-VIDEO ASSY

SIDE A

S-VIDEO ASSY



SIDE B

A

S-VIDEO ASSY

B

C

C

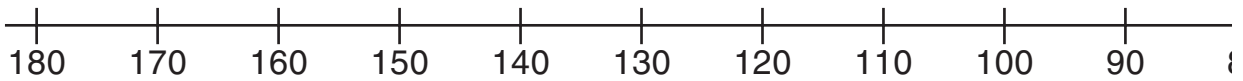
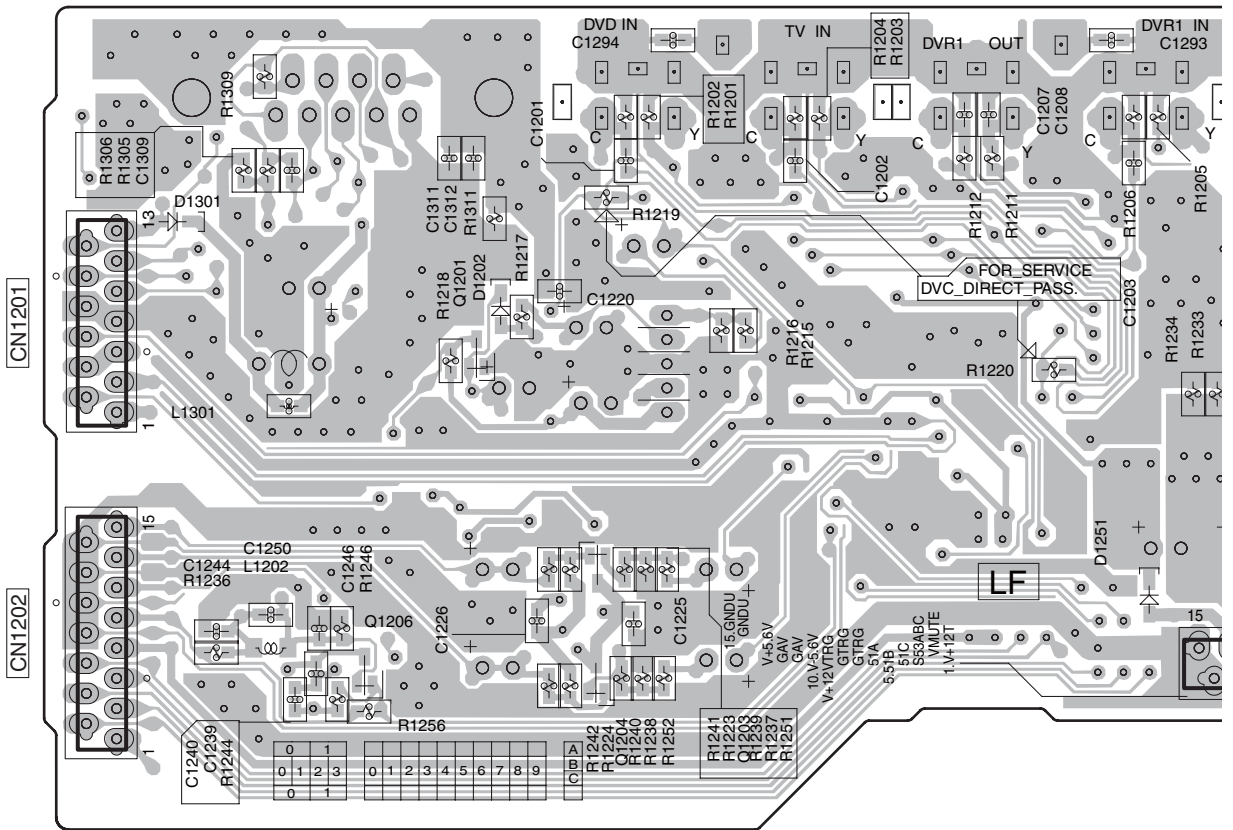
D

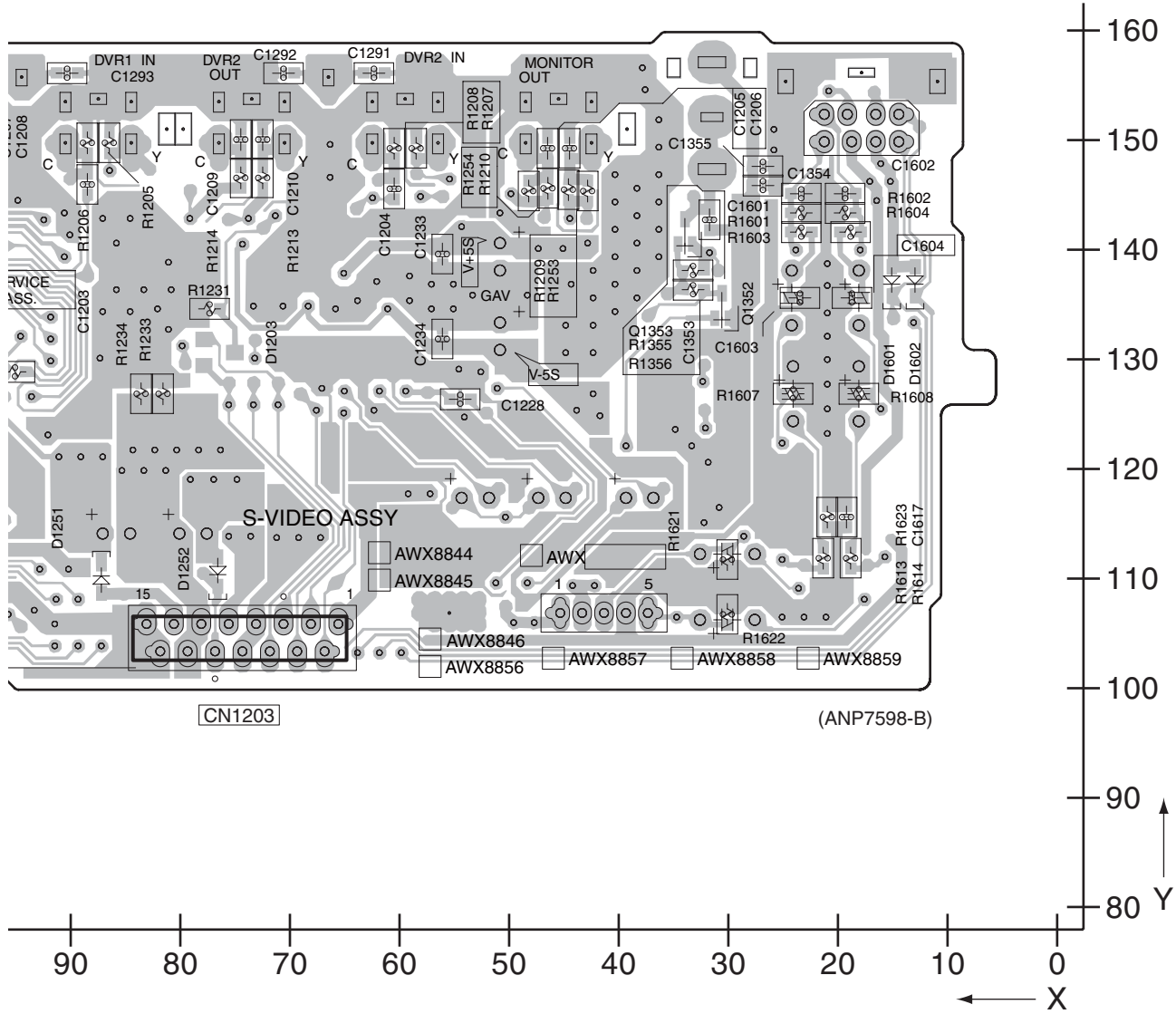
D

E

E

F

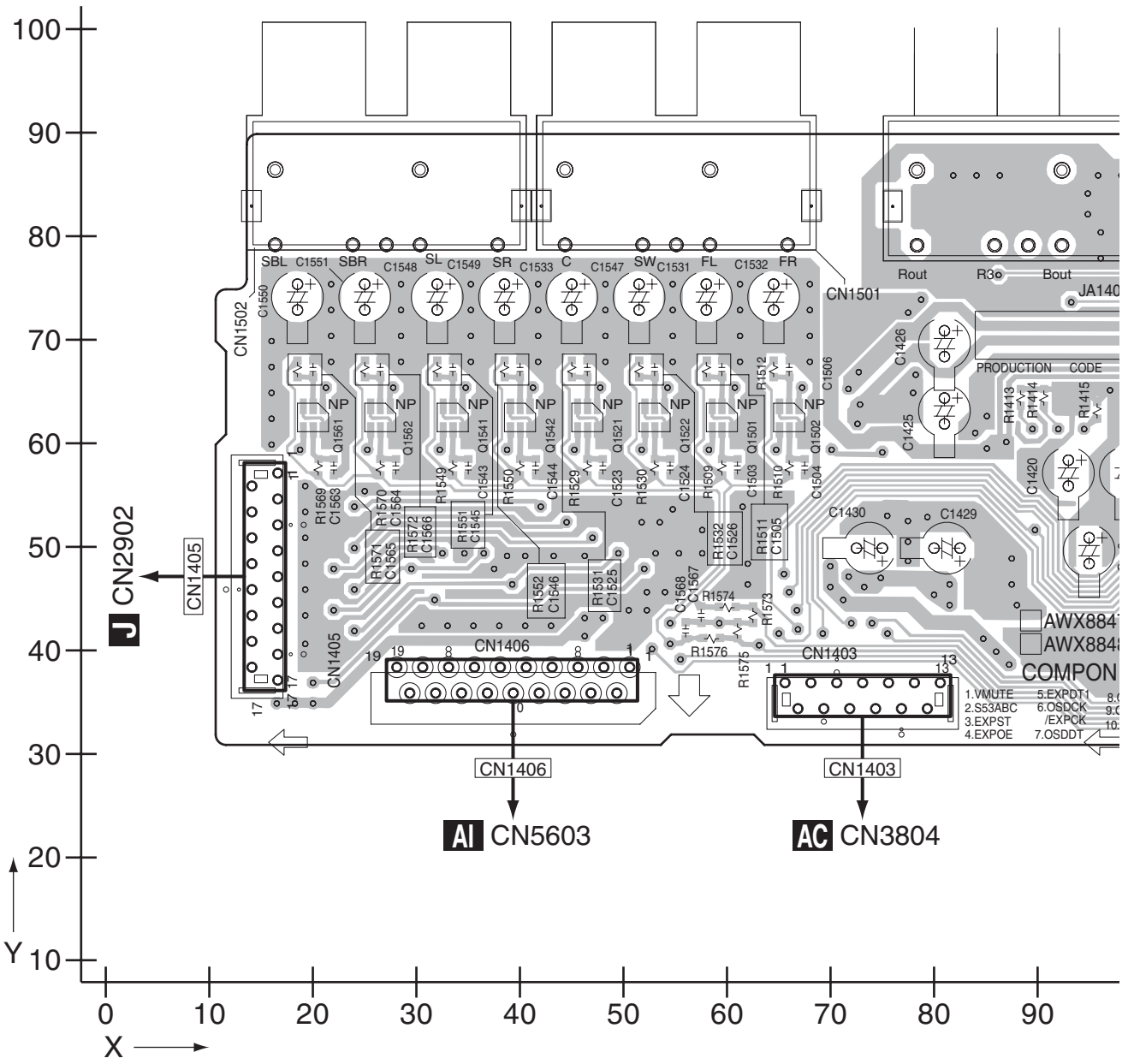




11.9 COMPONENT ASSY

SIDE A

K COMPONENT ASSY



K

SIDE A

A

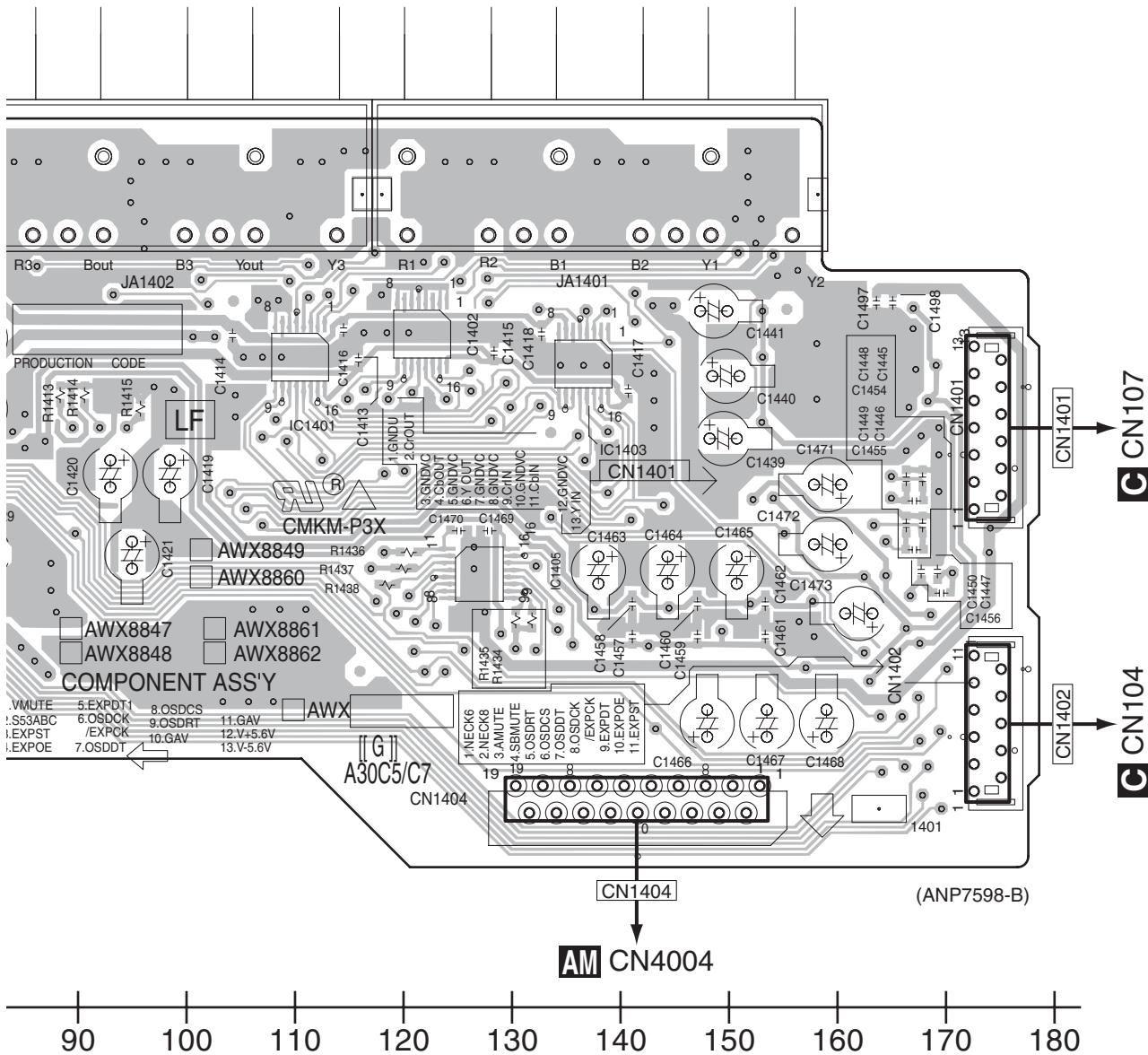
B

C

D

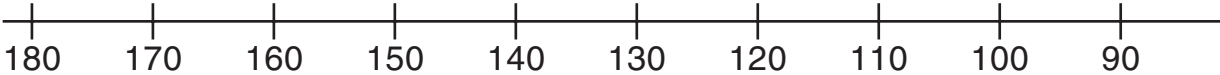
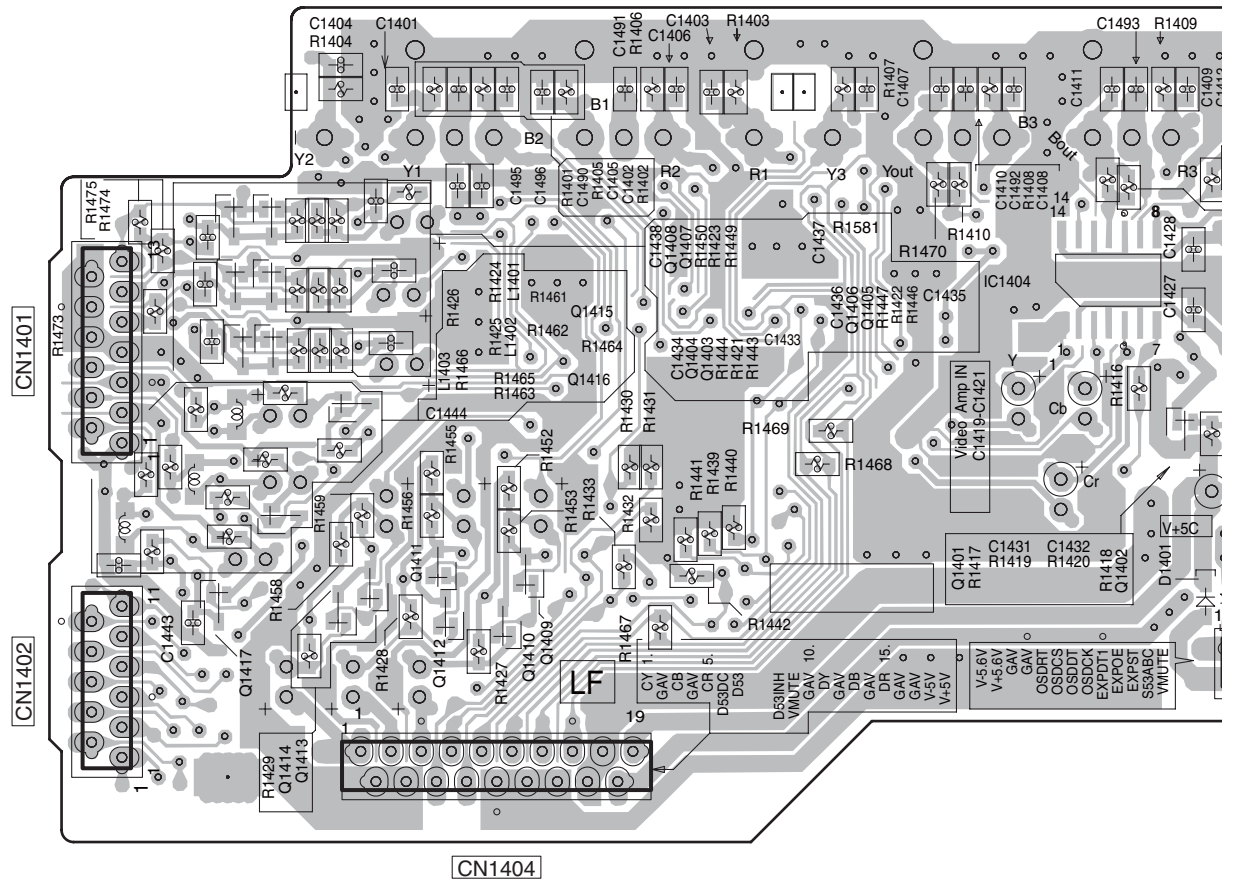
E

F



SIDE B

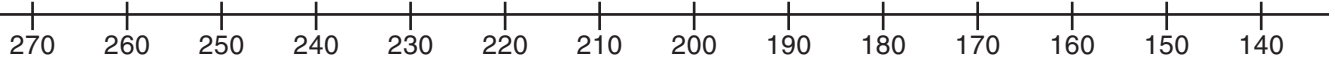
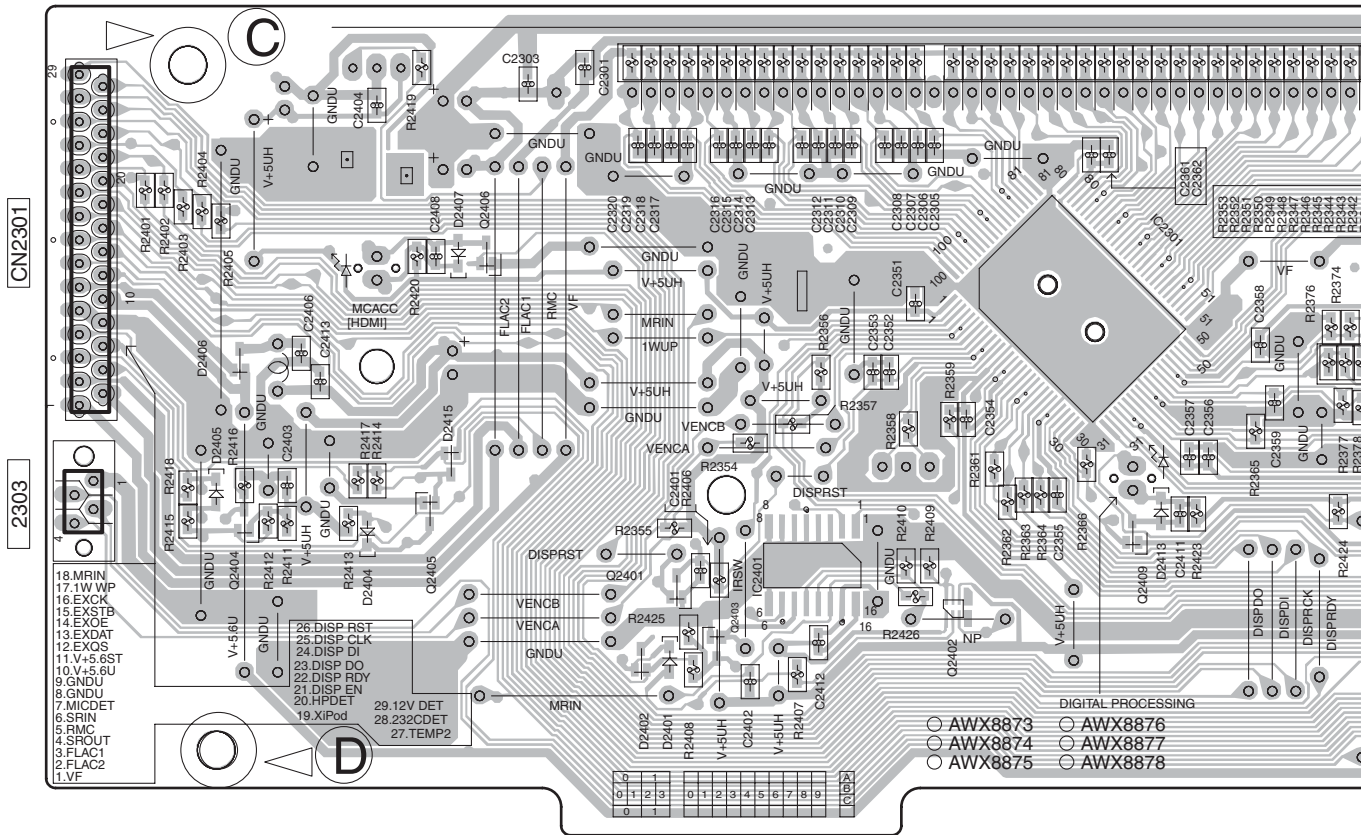
K COMPONENT ASSY



K

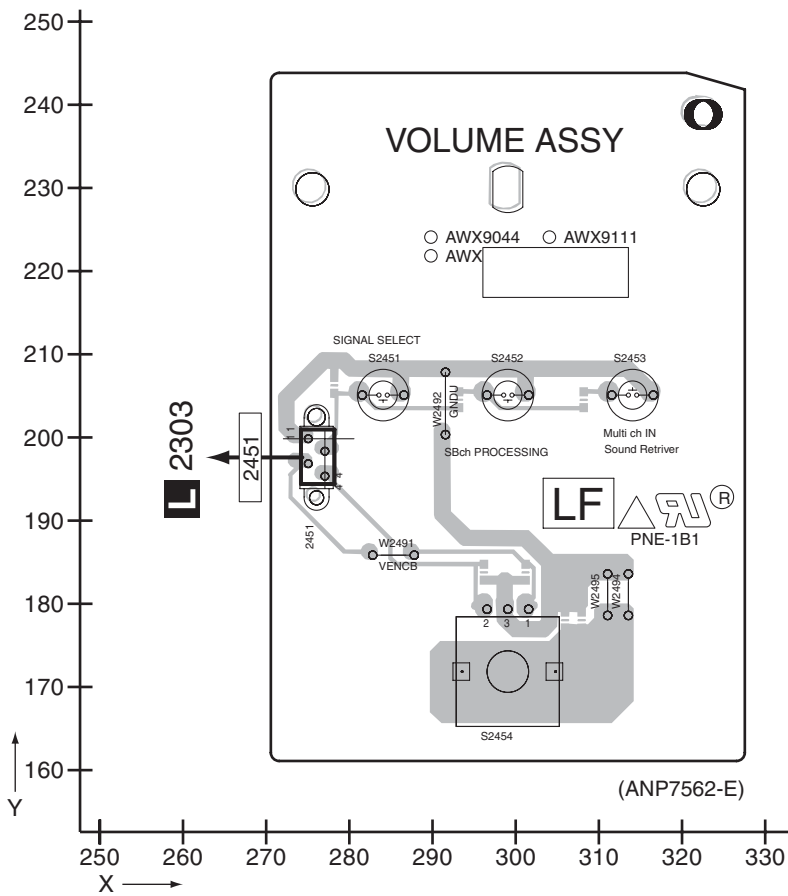
SIDE B

DISPLAY ASSY



11.11 VOLUME ASSY

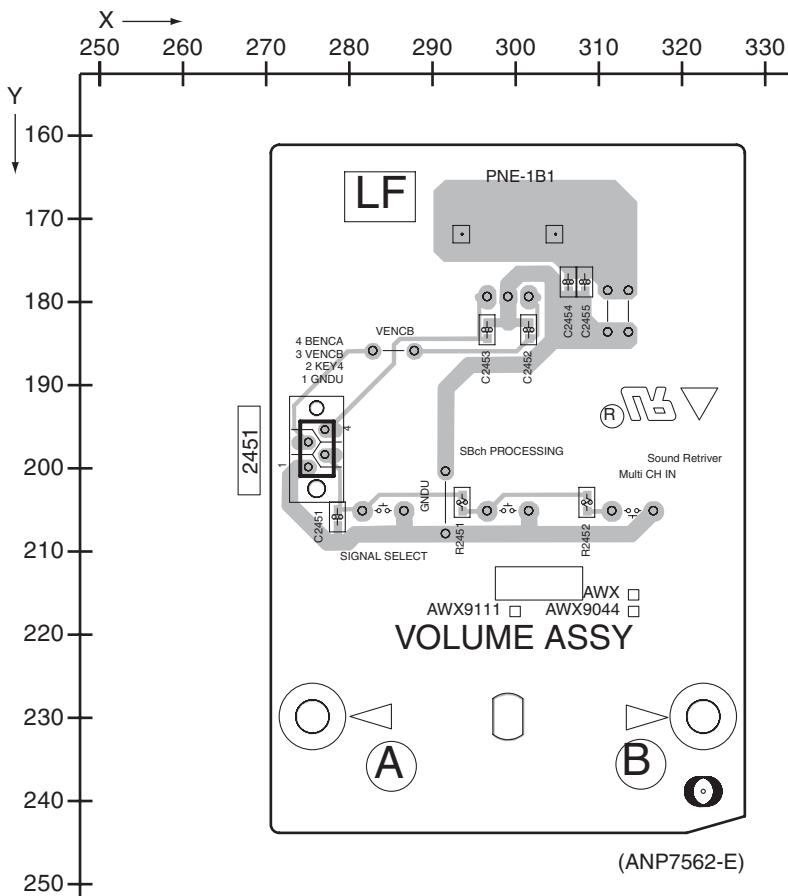
SIDE A



SIDE A

M VOLUME ASSY

SIDE B



SIDE B

M VOLUME ASSY

M

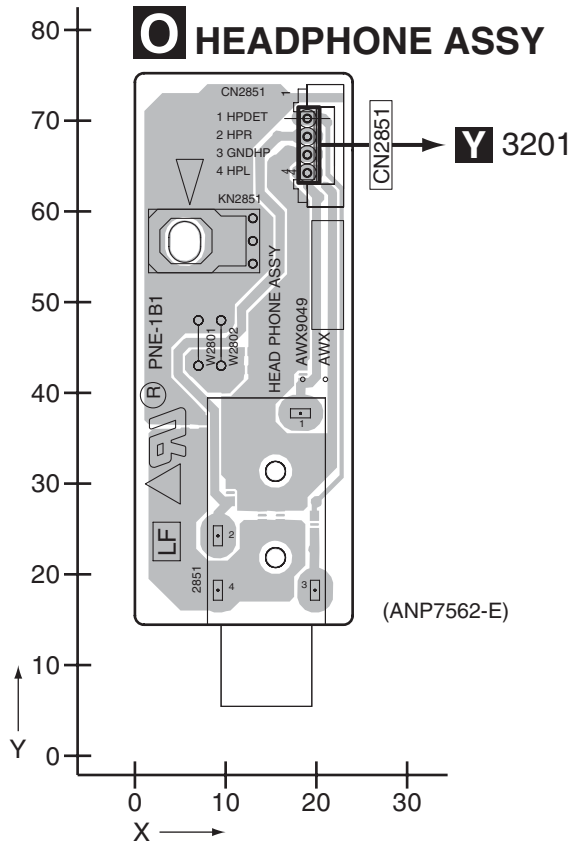
M

5 6 7 8

11.12 HEADPHONE ASSY

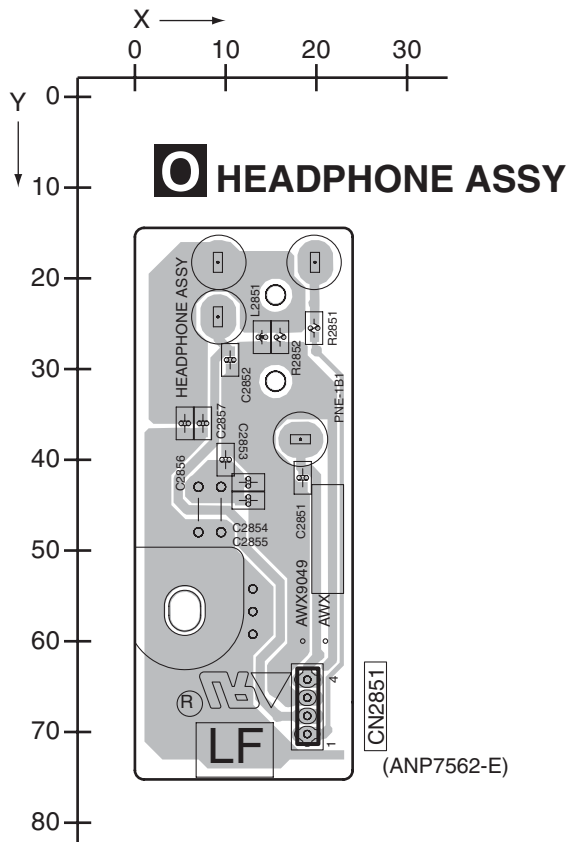
SIDE A

SIDE A



SIDE B

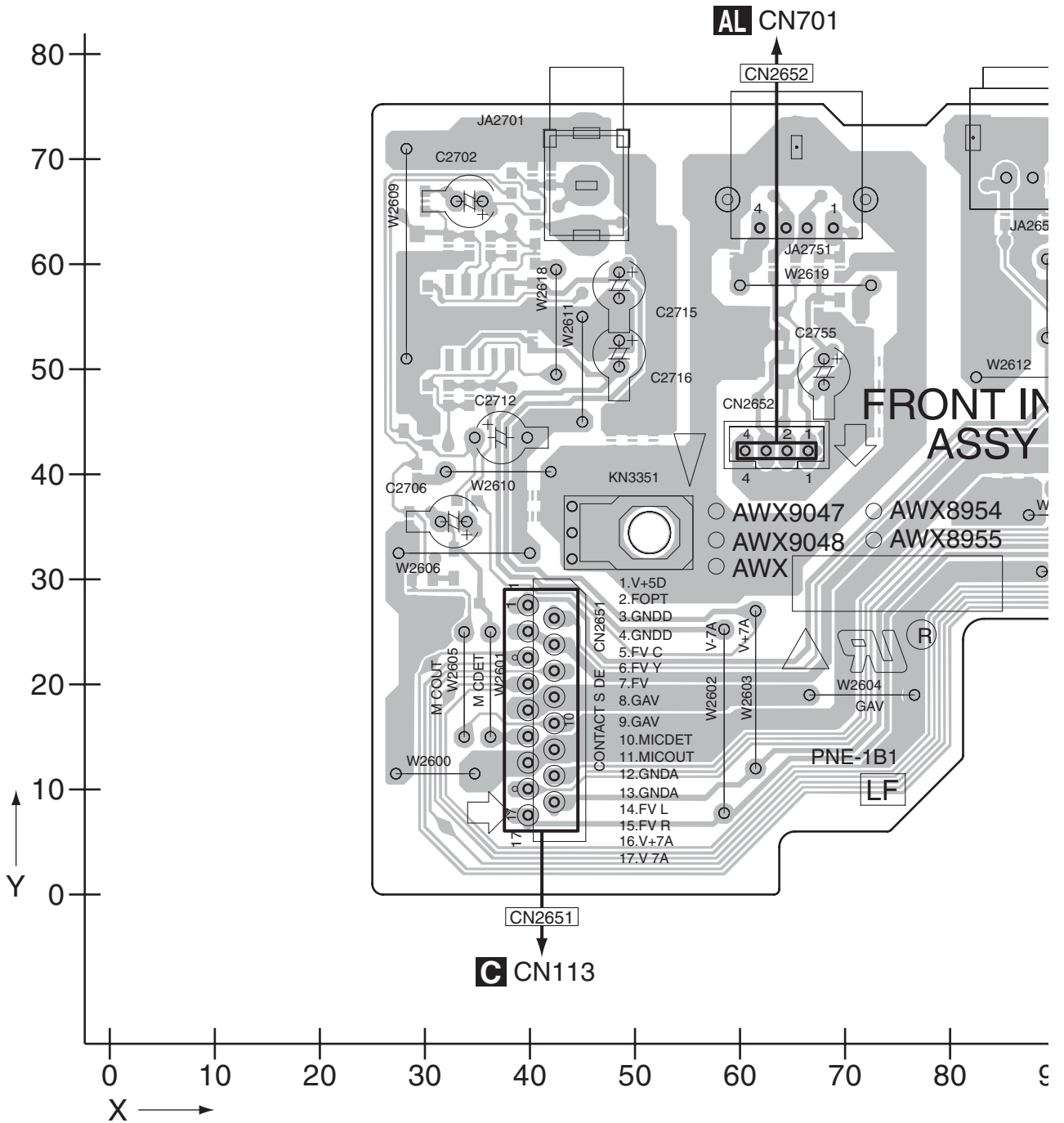
SIDE B



11.14 FRONT-IN ASSY

SIDE A

P FRONT-IN ASSY



P

SIDE A

A

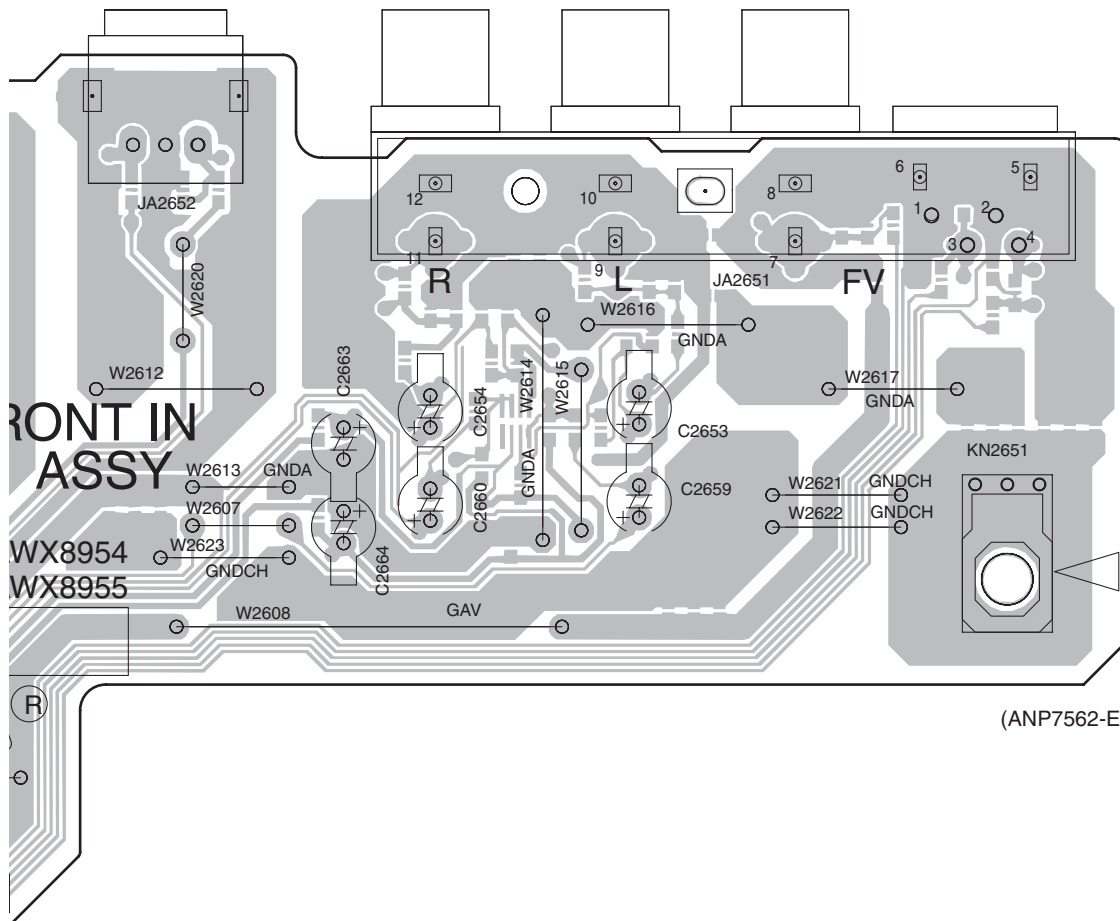
B

C

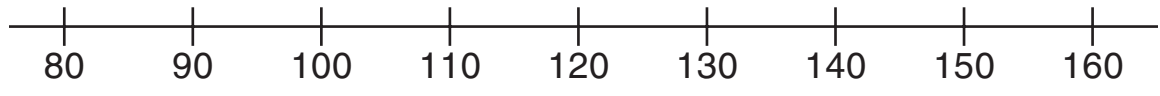
D

E

F

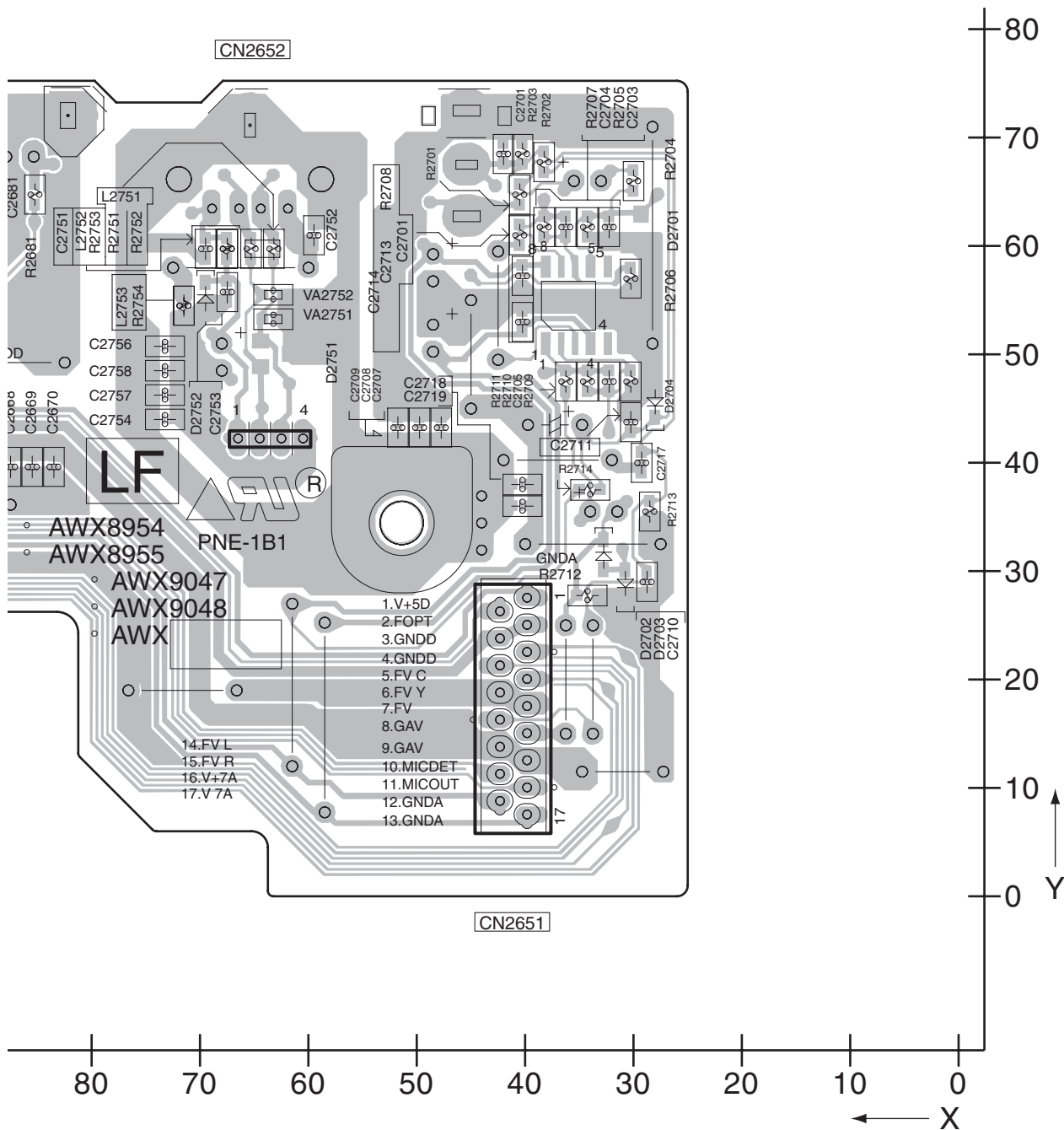


(ANP7562-E)



SIDE B

A



B

C

D

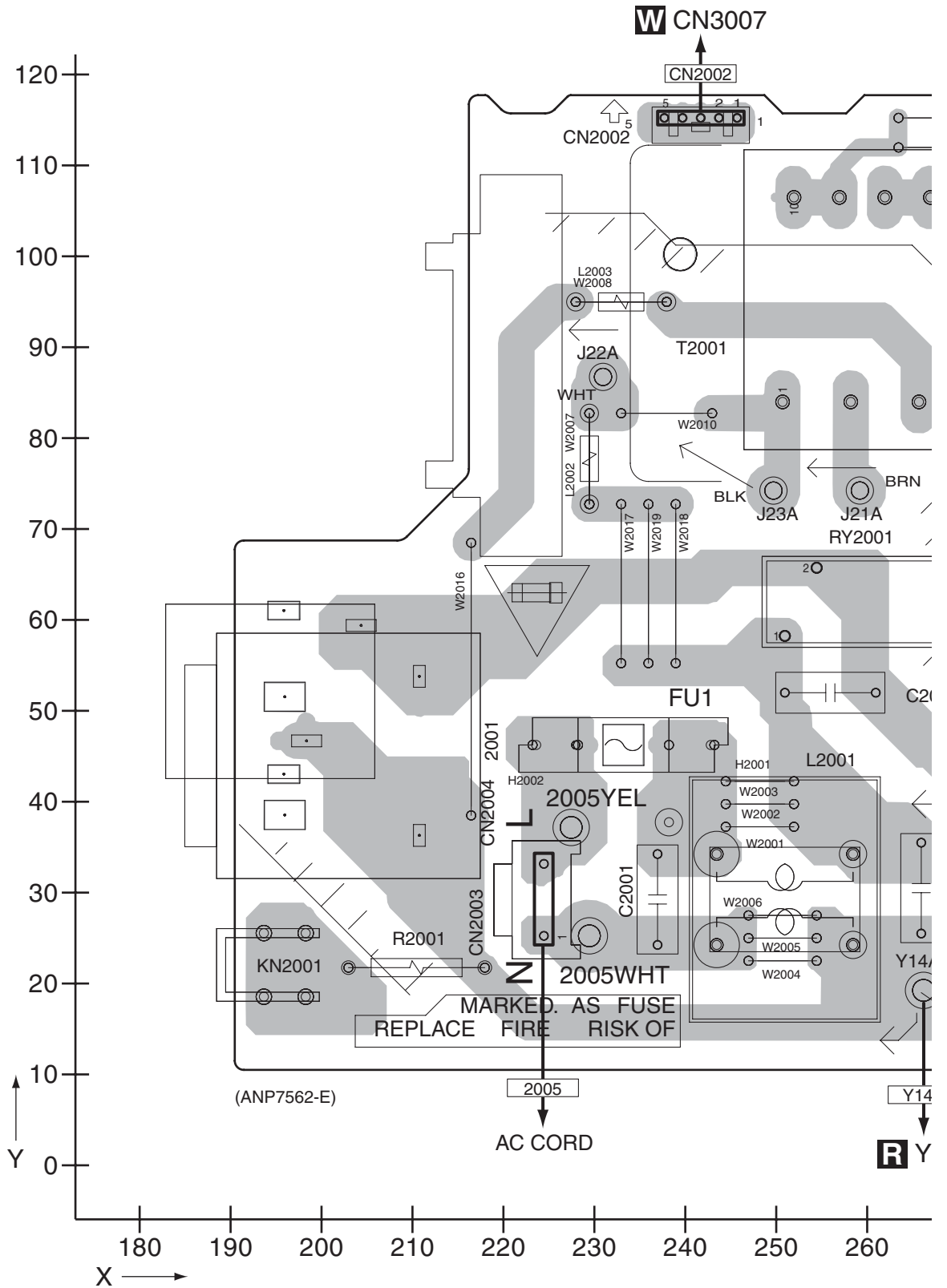
E

F

11.15 PRIMARY ASSY

SIDE A

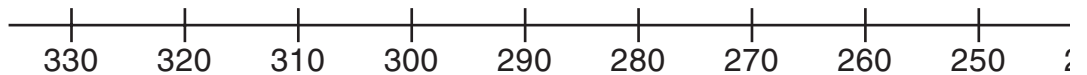
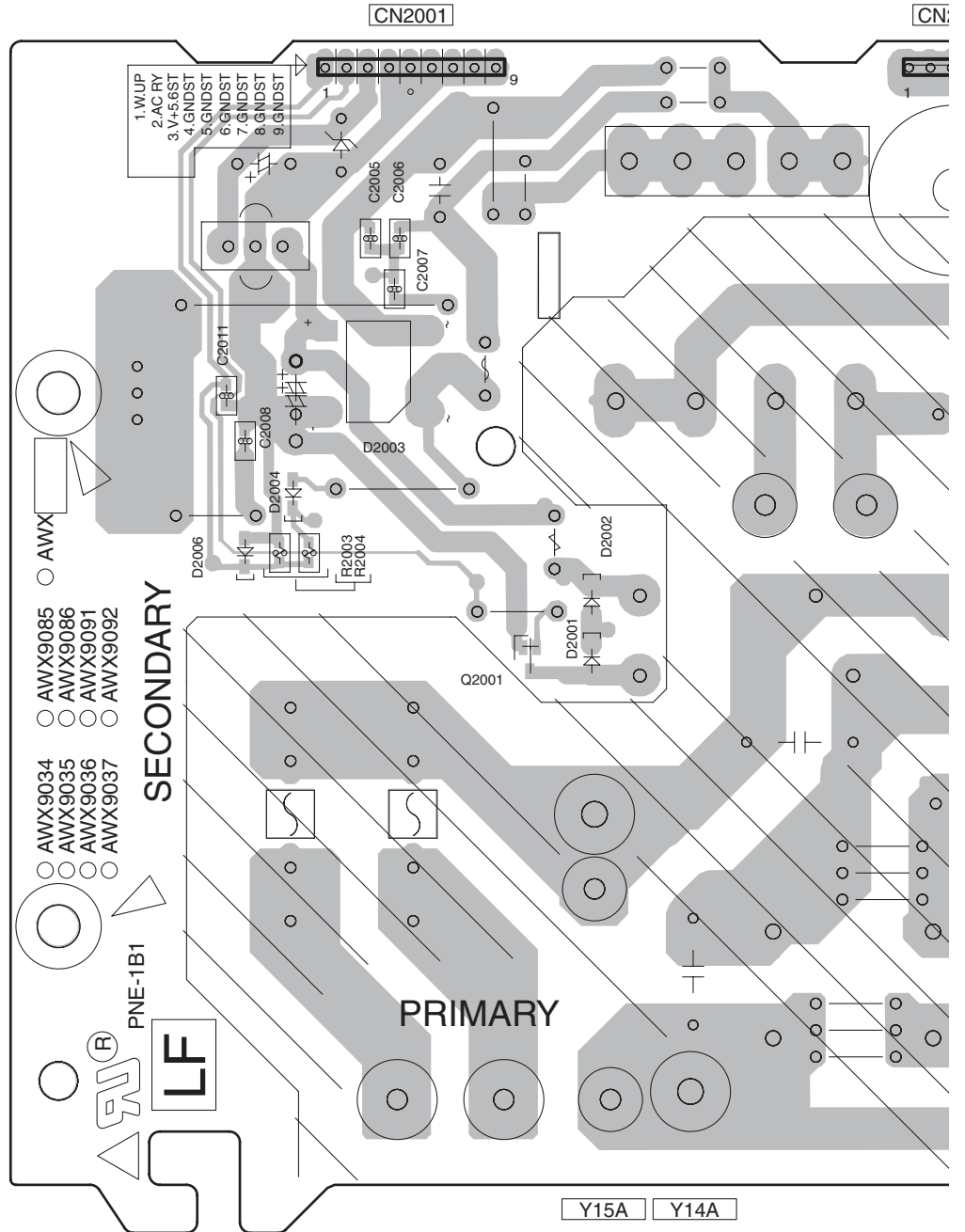
Q PRIMARY ASSY



Q

SIDE B

Q PRIMARY ASSY



SIDE B

A

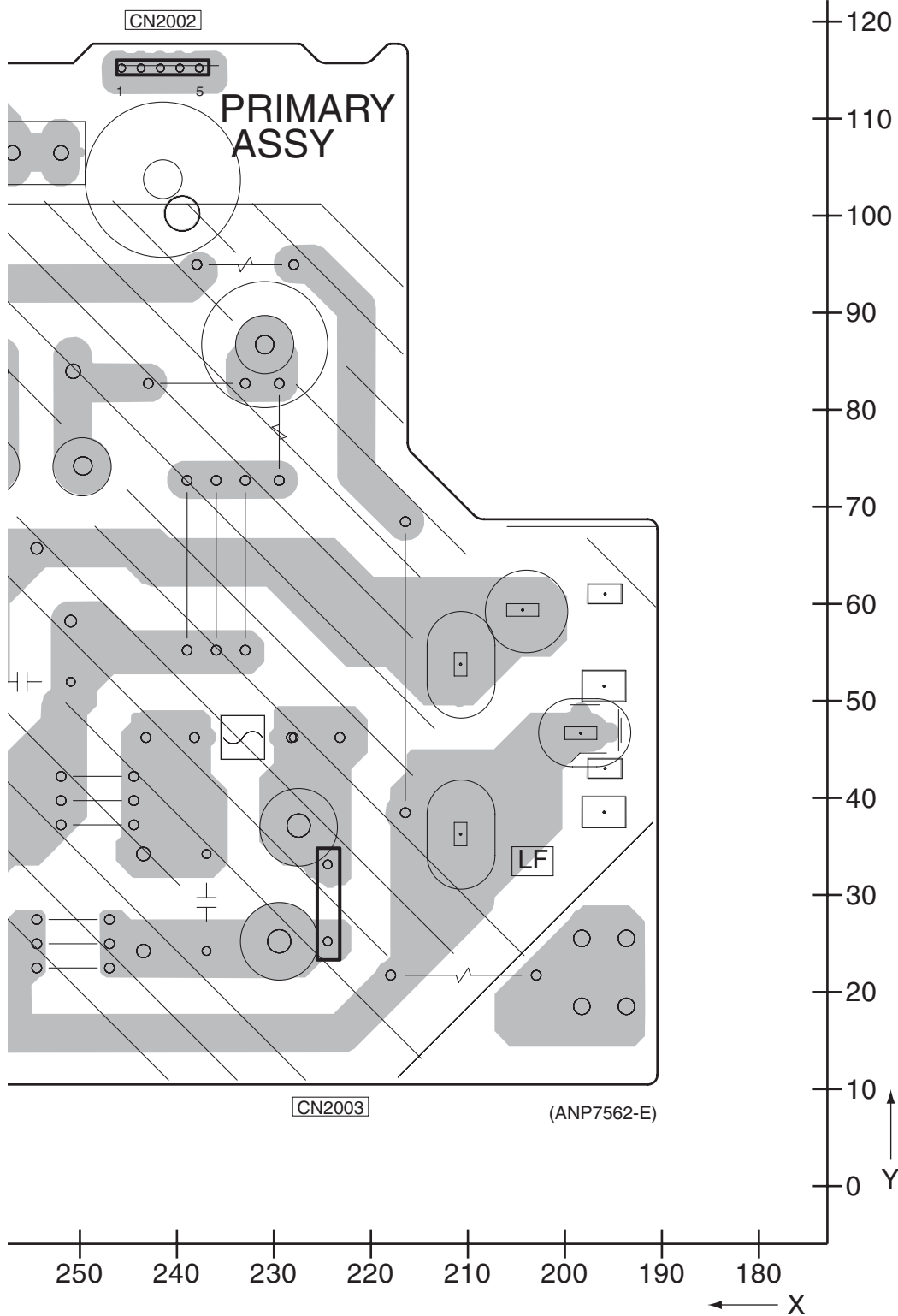
B

C

D

E

F

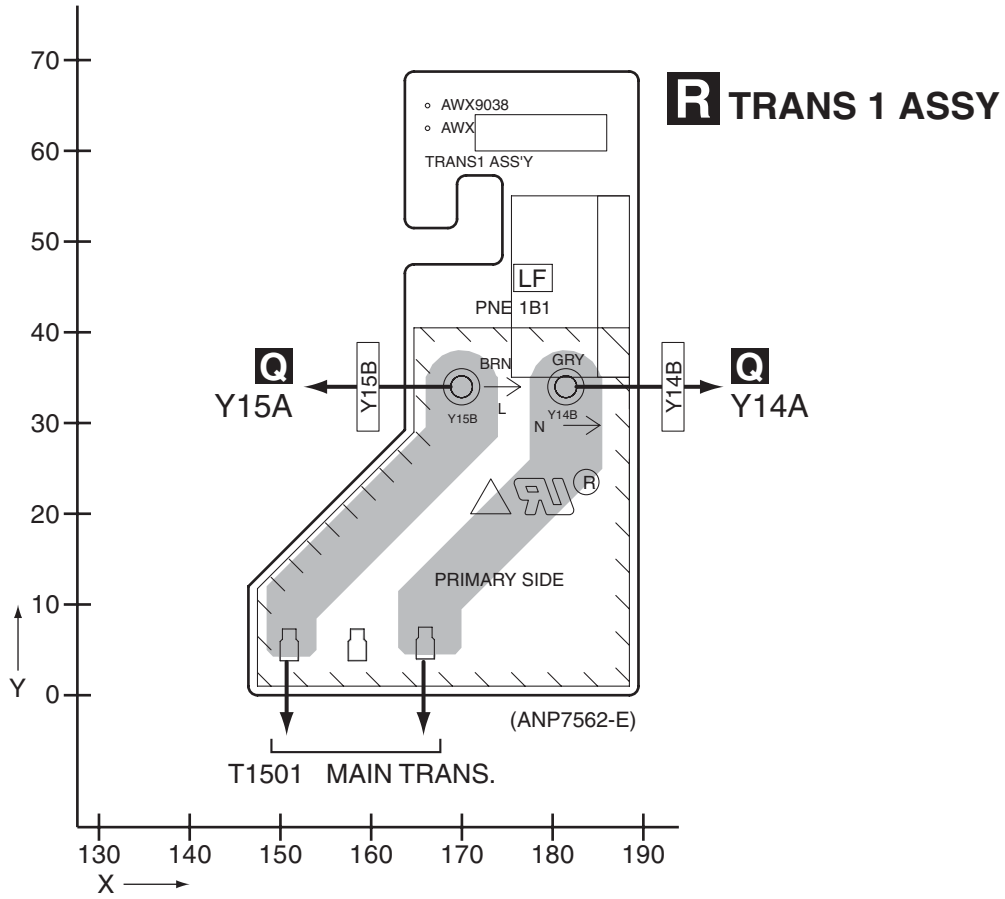


(ANP7562-E)

11.16 TRANS 1 ASSYS

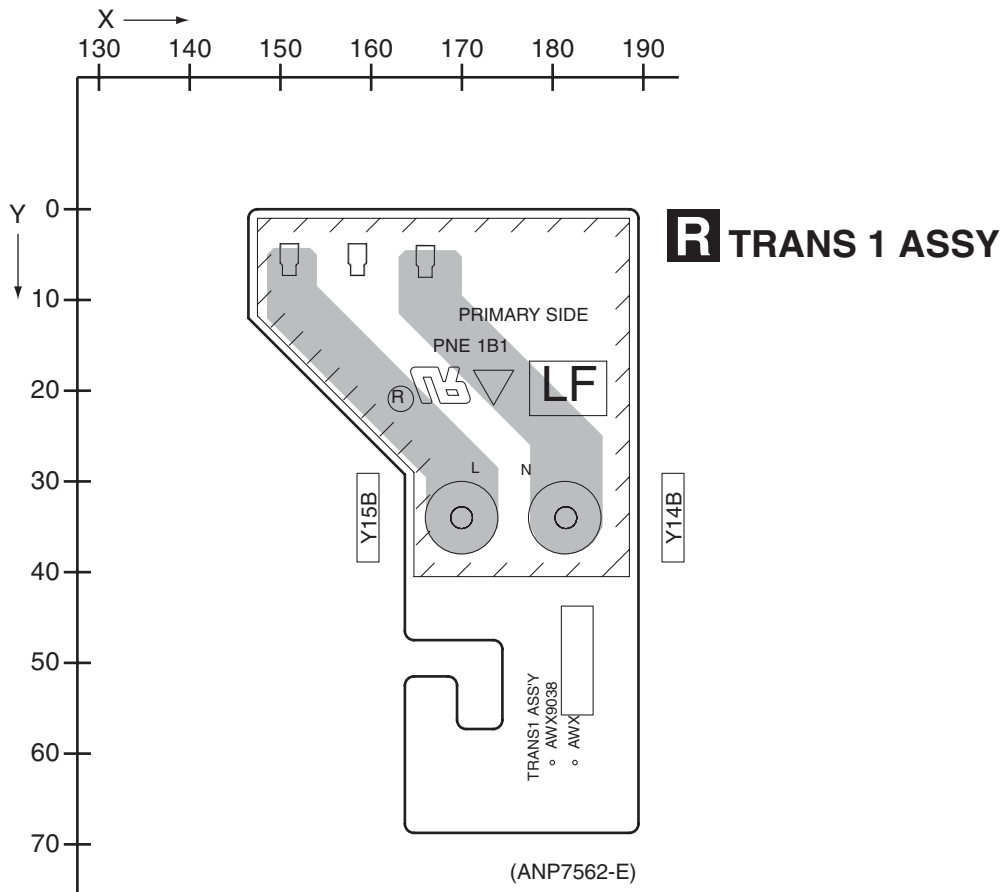
SIDE A

SIDE A



SIDE B

SIDE B



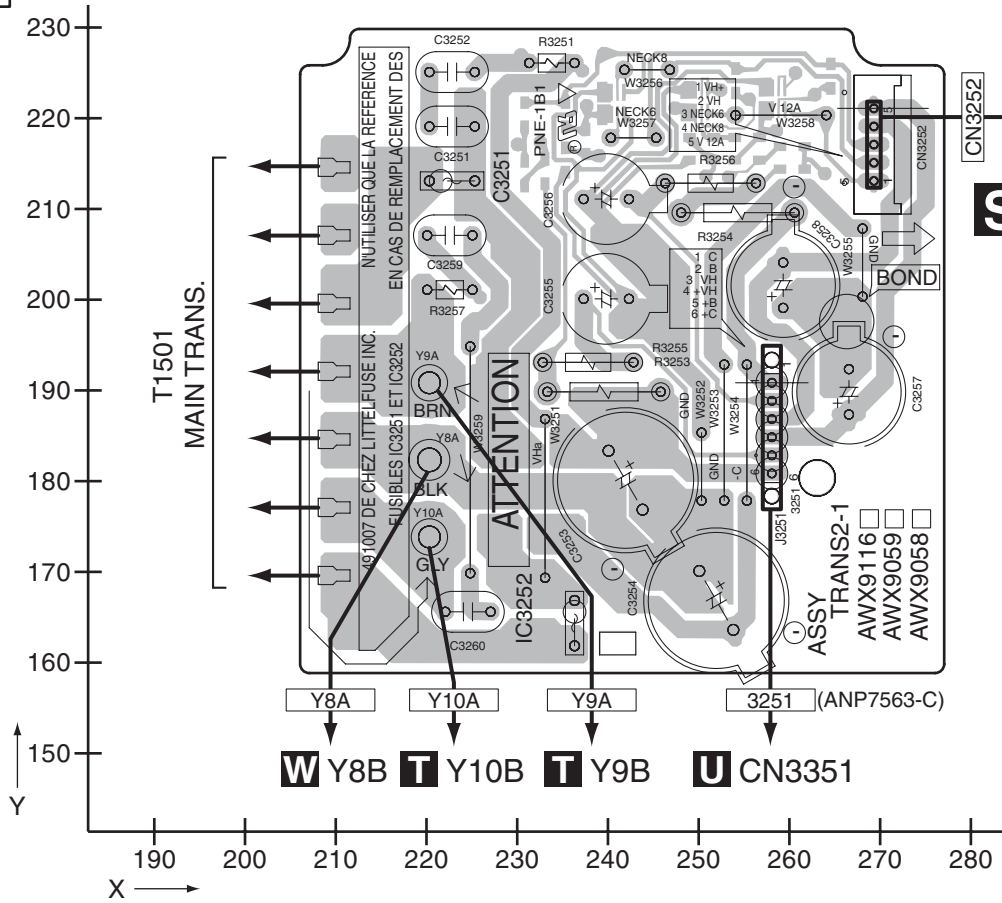
R

R

11.17 TRANS 2-1 ASSY

SIDE A

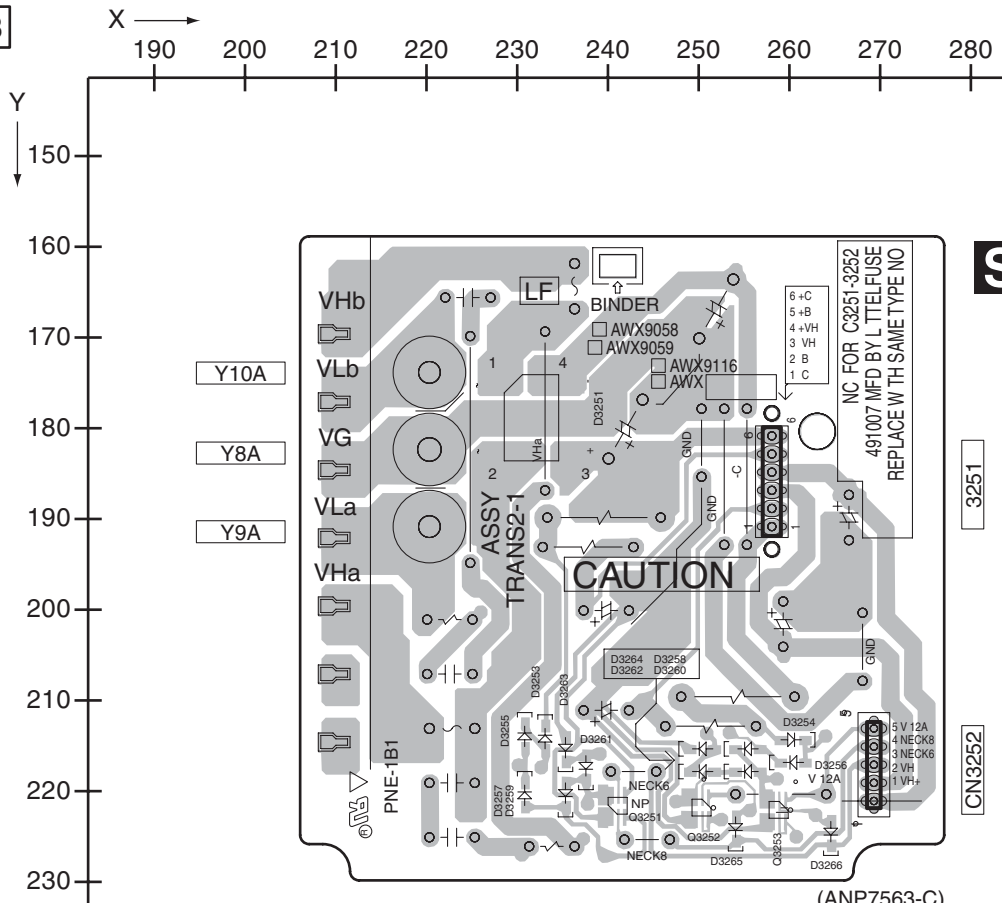
SIDE A



S TRANS 2-1 ASSY

SIDE B

SIDE B



S TRANS 2-1 ASSY

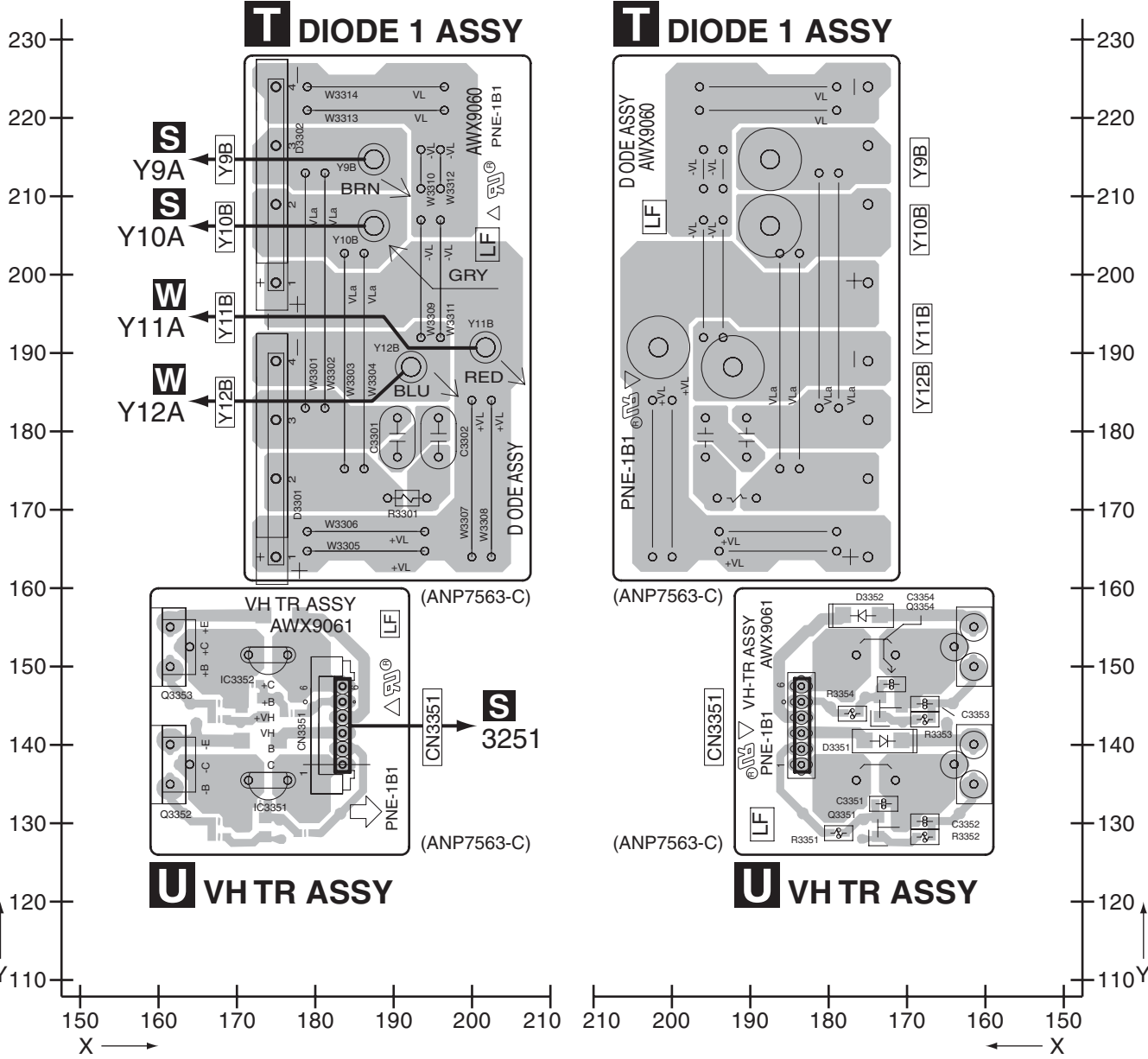
S

S

11.18 DIODE 1 and VH TR ASSYS

SIDE A

SIDE B



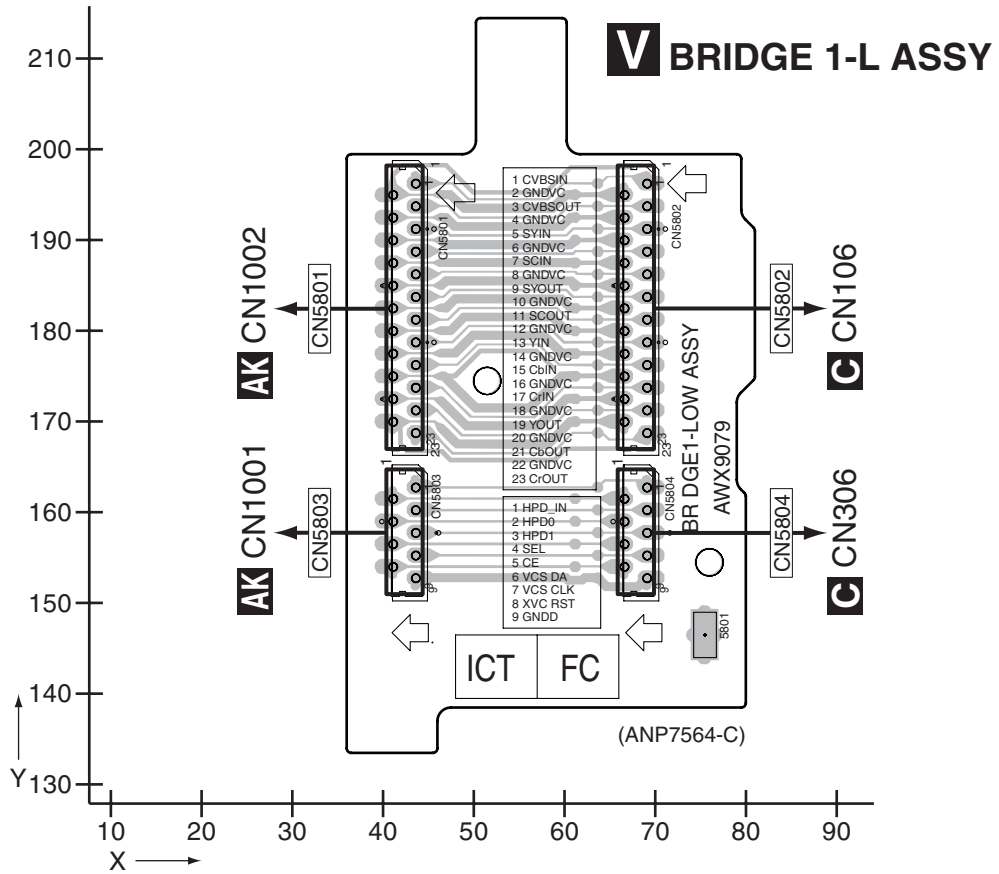
T U

T U

11.19 BRIDGE 1-L ASSY

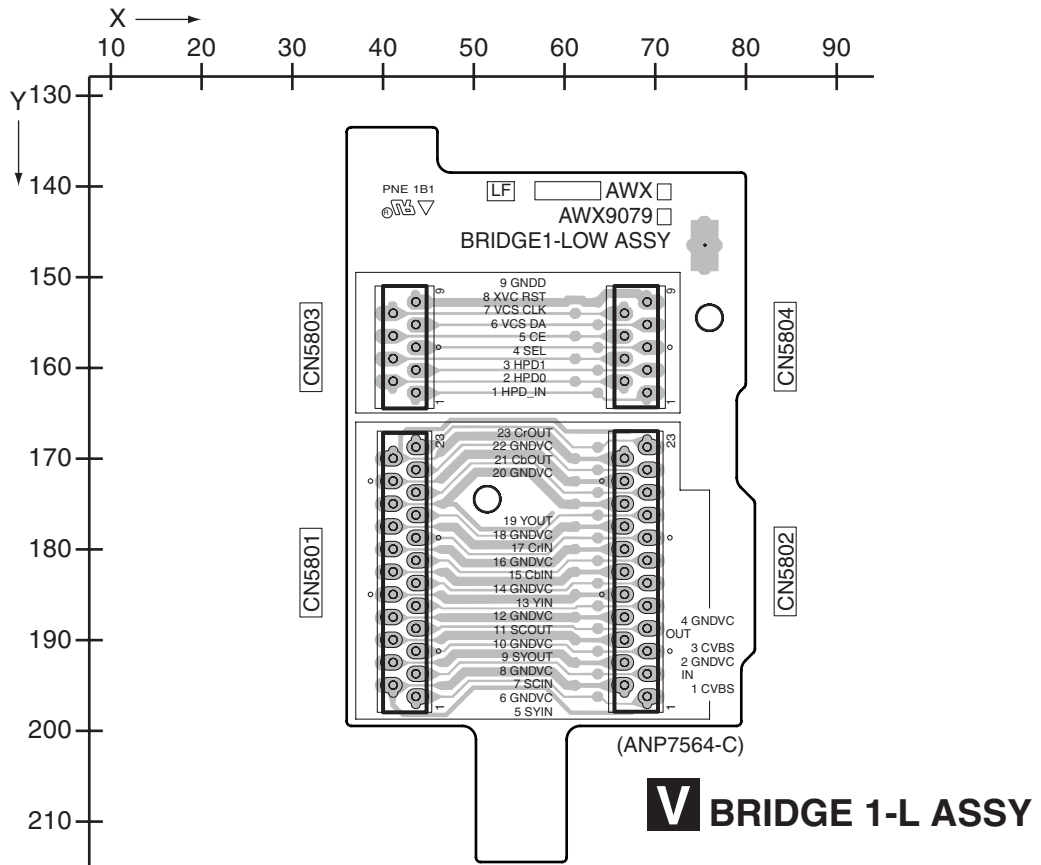
SIDE A

SIDE A



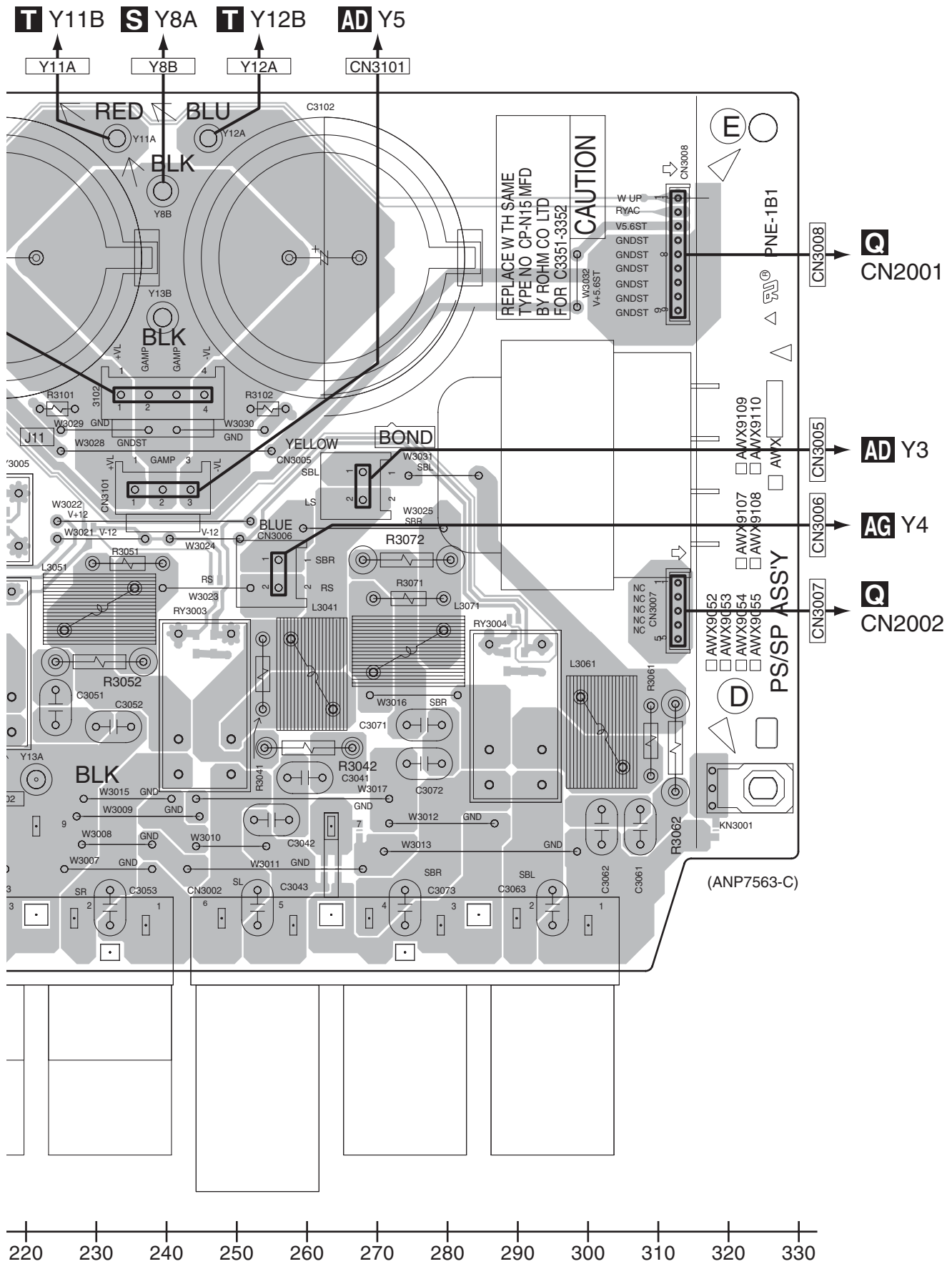
SIDE B

SIDE B



V

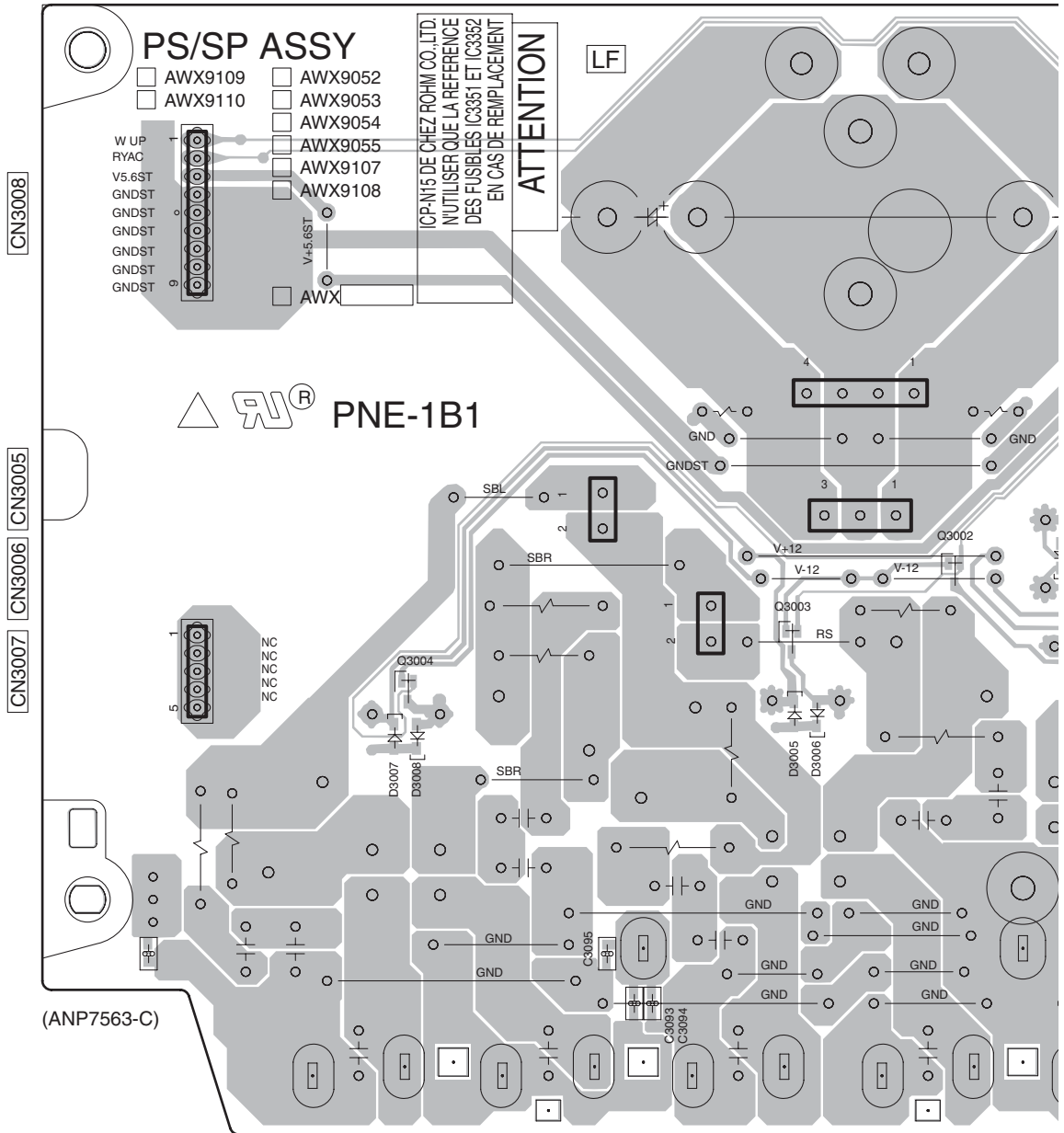
V



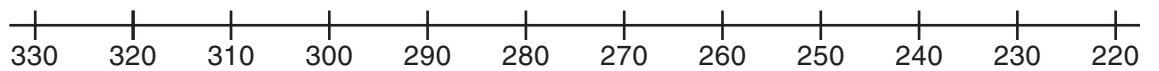
SIDE B

W PS/SP ASSY

Y12A Y8B Y11A



CN3102 CN3101



VSX-1017AV-K



SIDE B

A

B

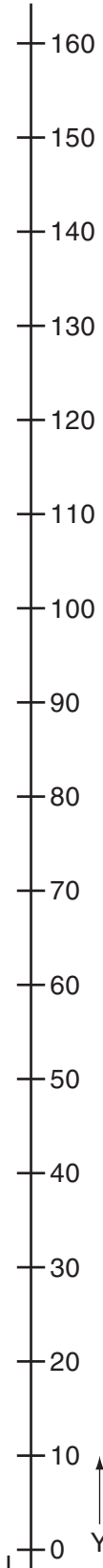
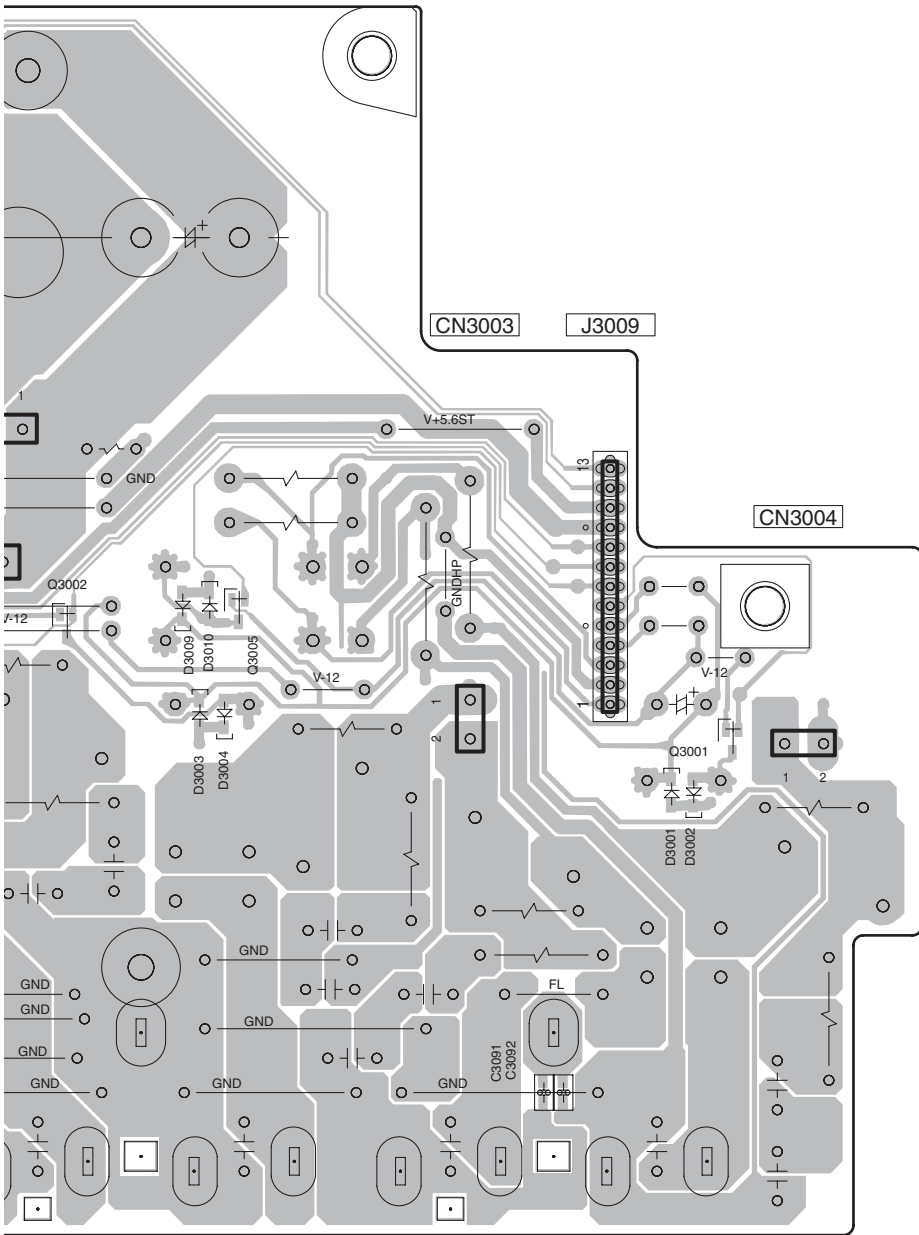
C

D

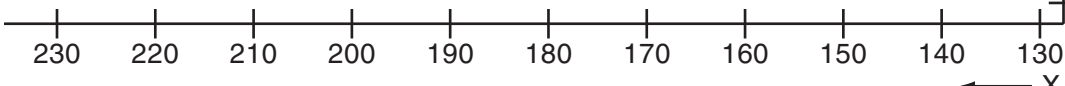
E

F

Y11A



CN3101



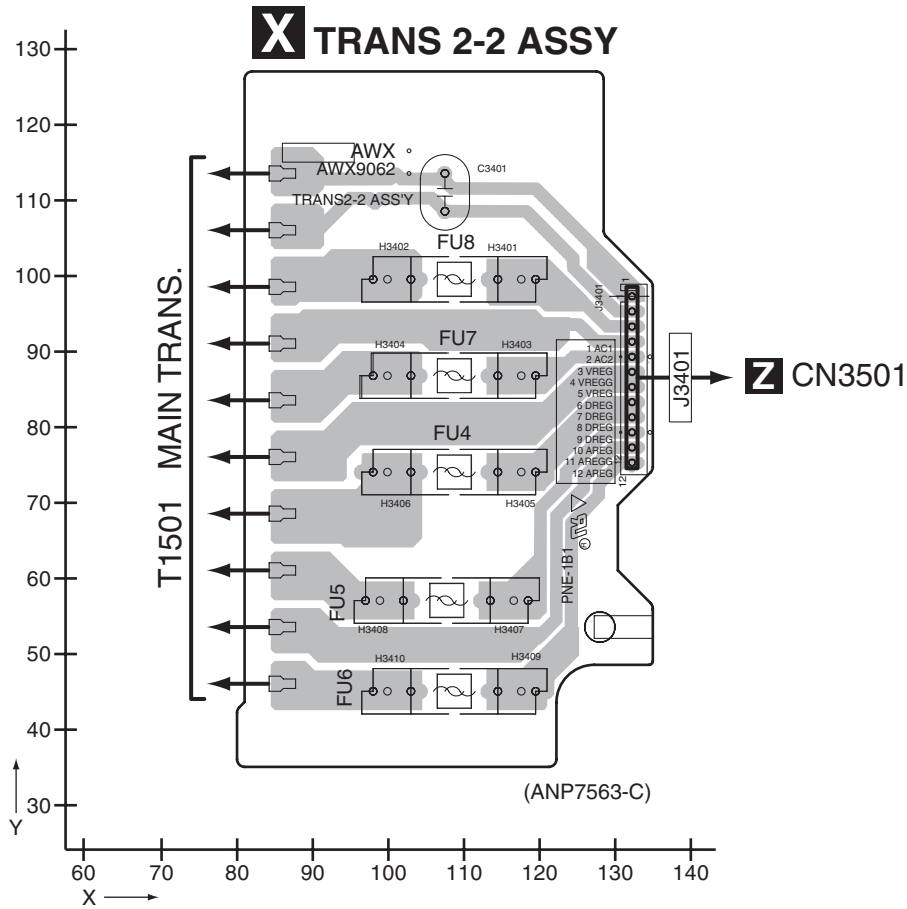
VSX-1017AV-K



11.21 TRANS 2-2 ASSY

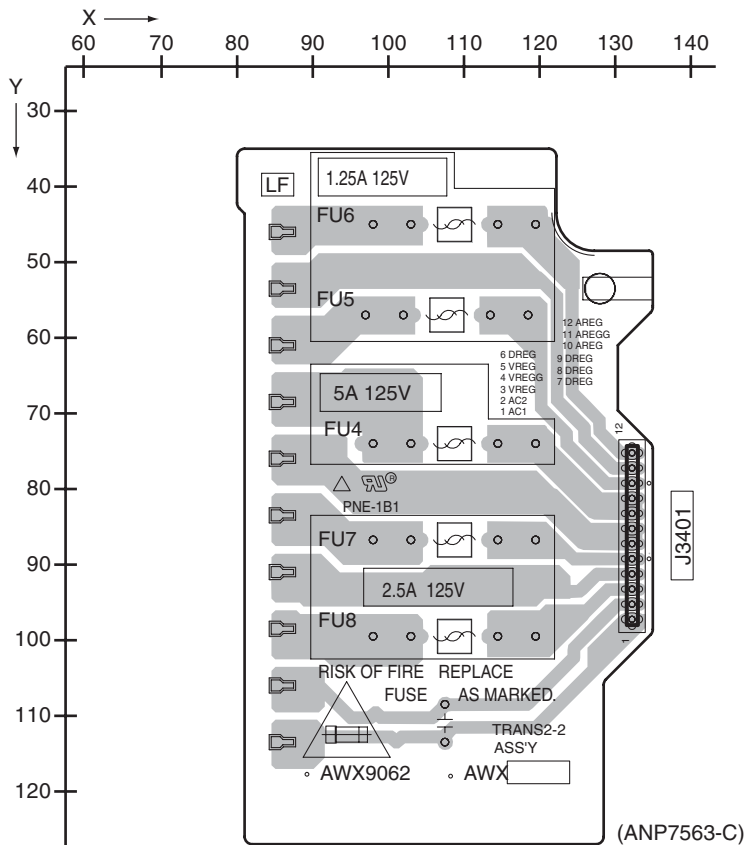
SIDE A

SIDE A



SIDE B

SIDE B



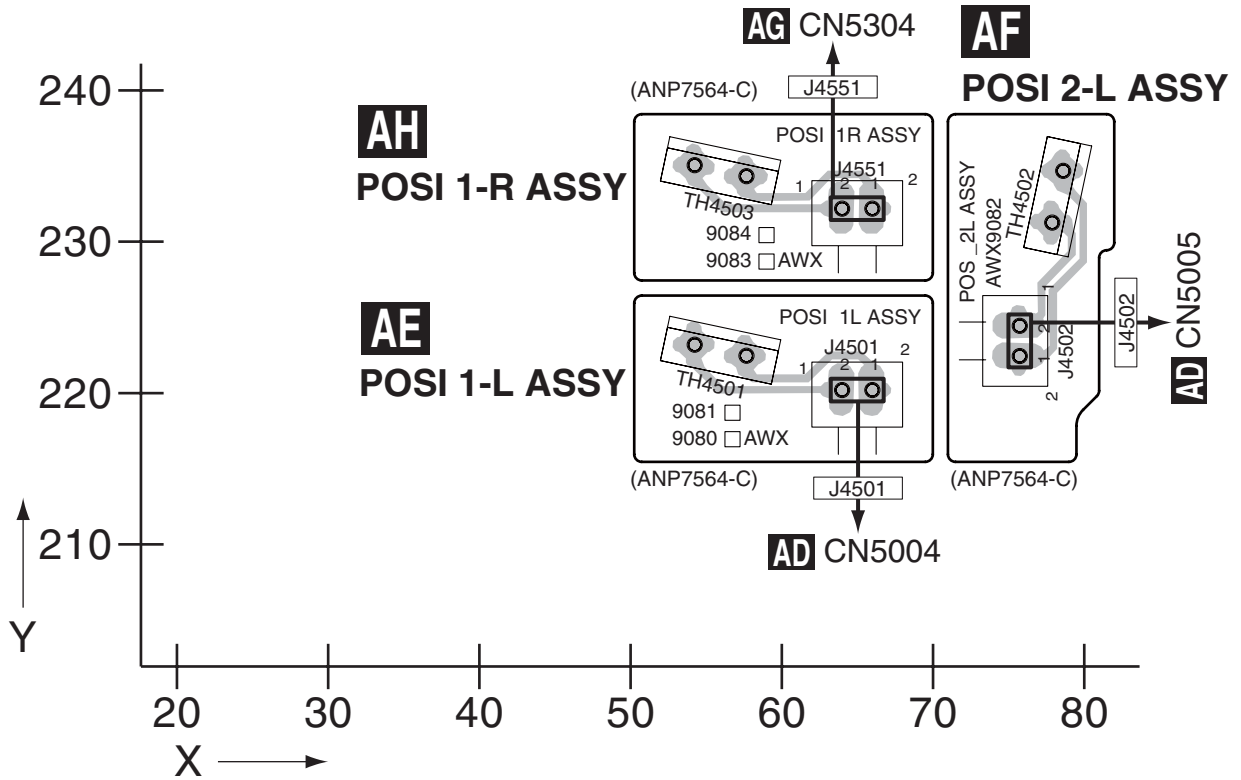
X TRANS 2-2 ASSY



11.22 POSI 1-L, POSI 2-L and POSI 1-R ASSYS

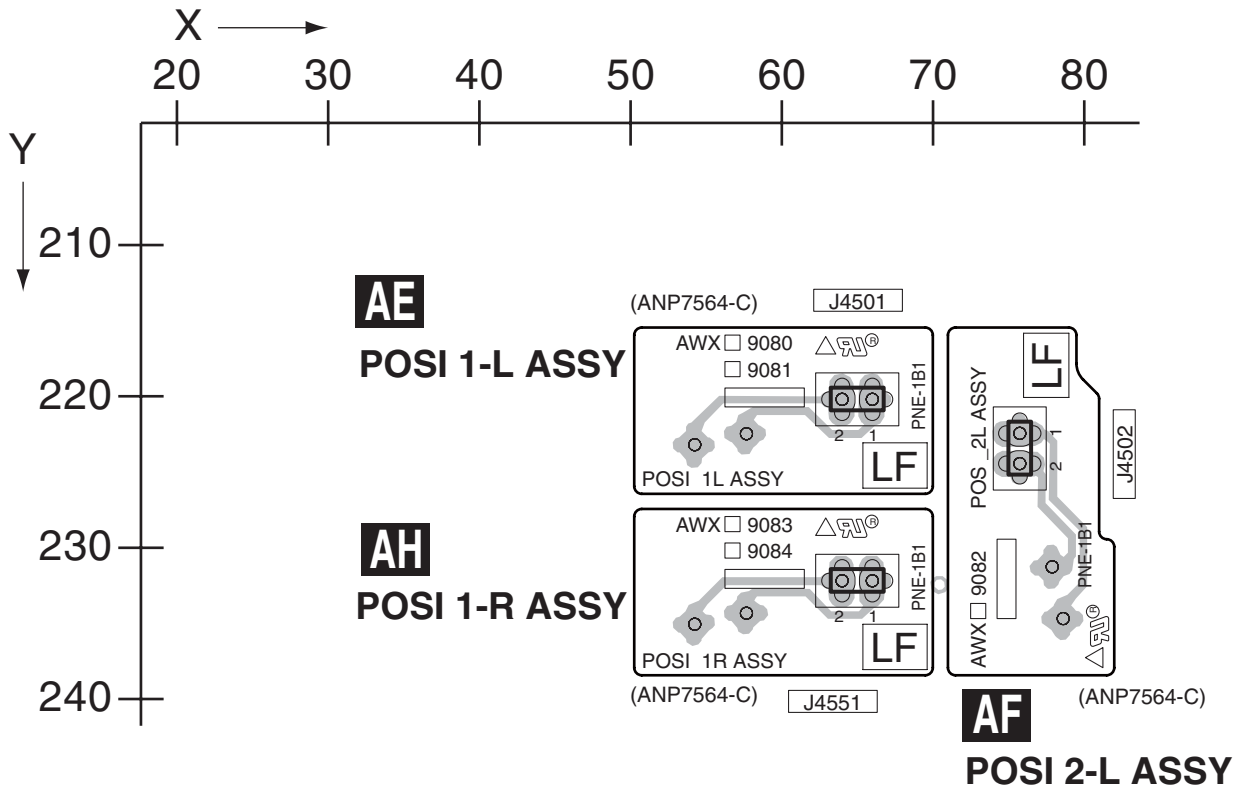
SIDE A

SIDE A



SIDE B

SIDE B



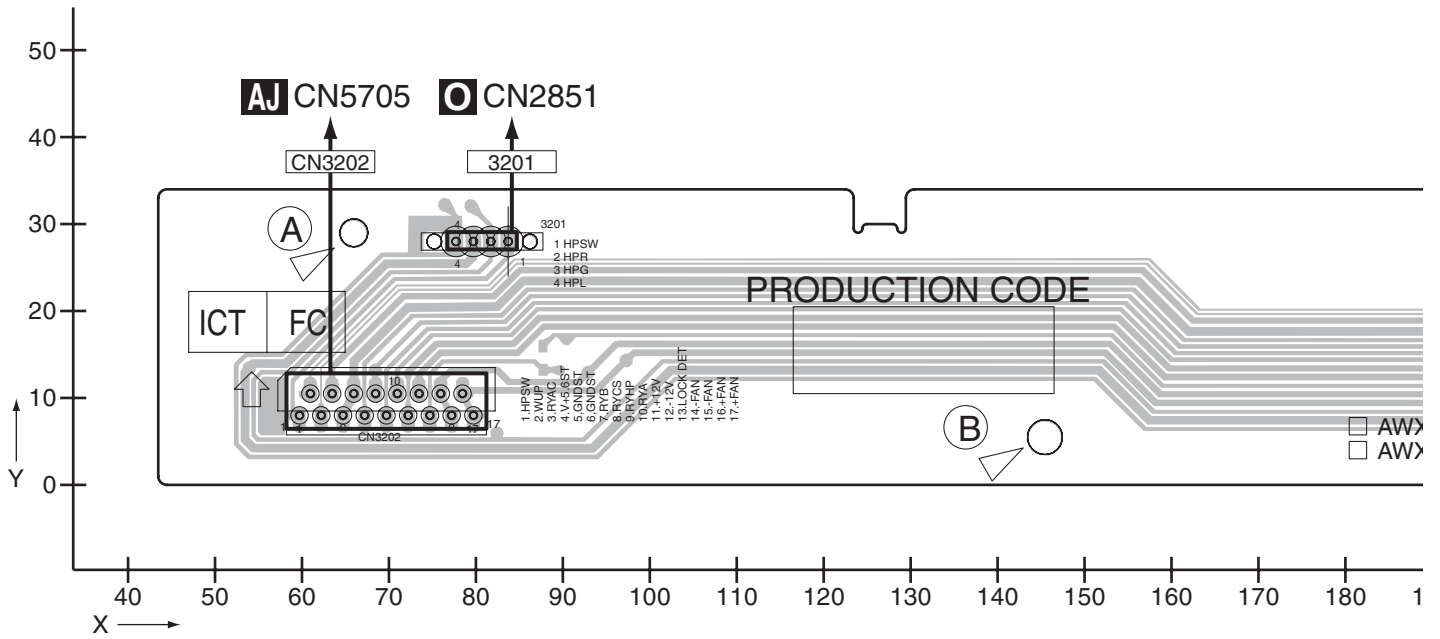
AE AF AH

AE AF AH

11.23 TRANS SIDE ASSY

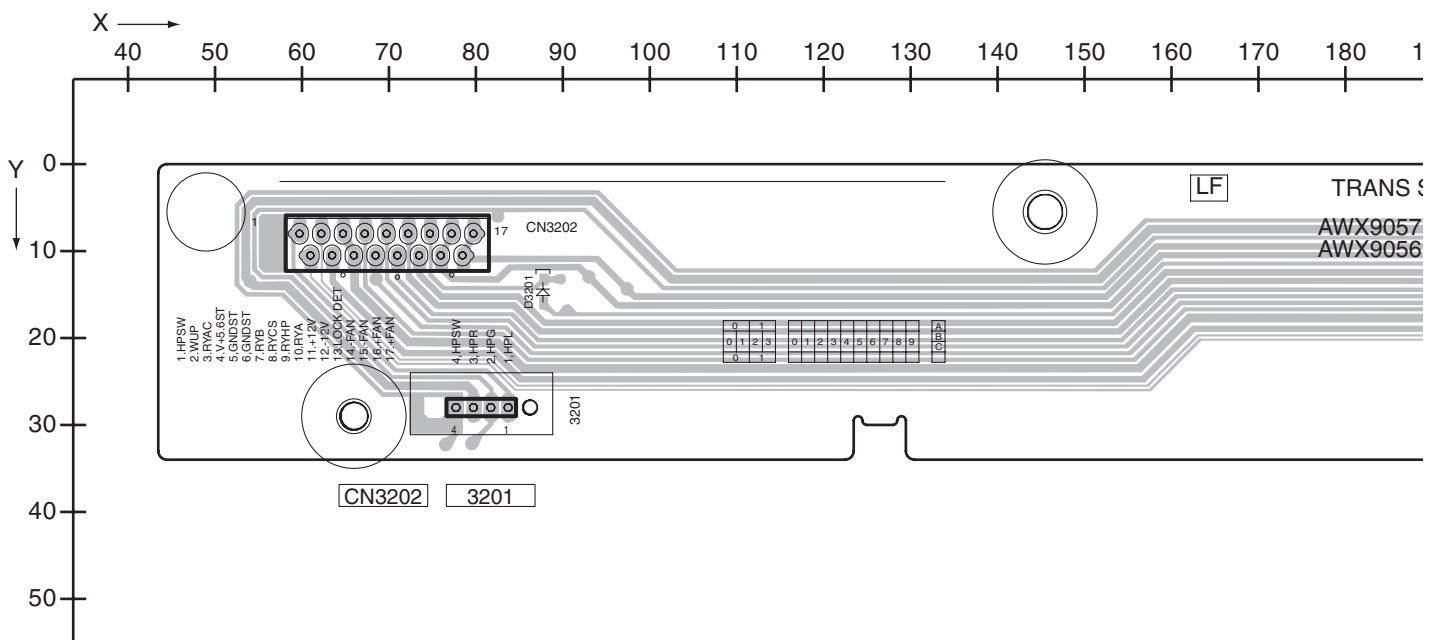
SIDE A

Y TRANS SIDE ASSY



SIDE B

Y TRANS SIDE ASSY

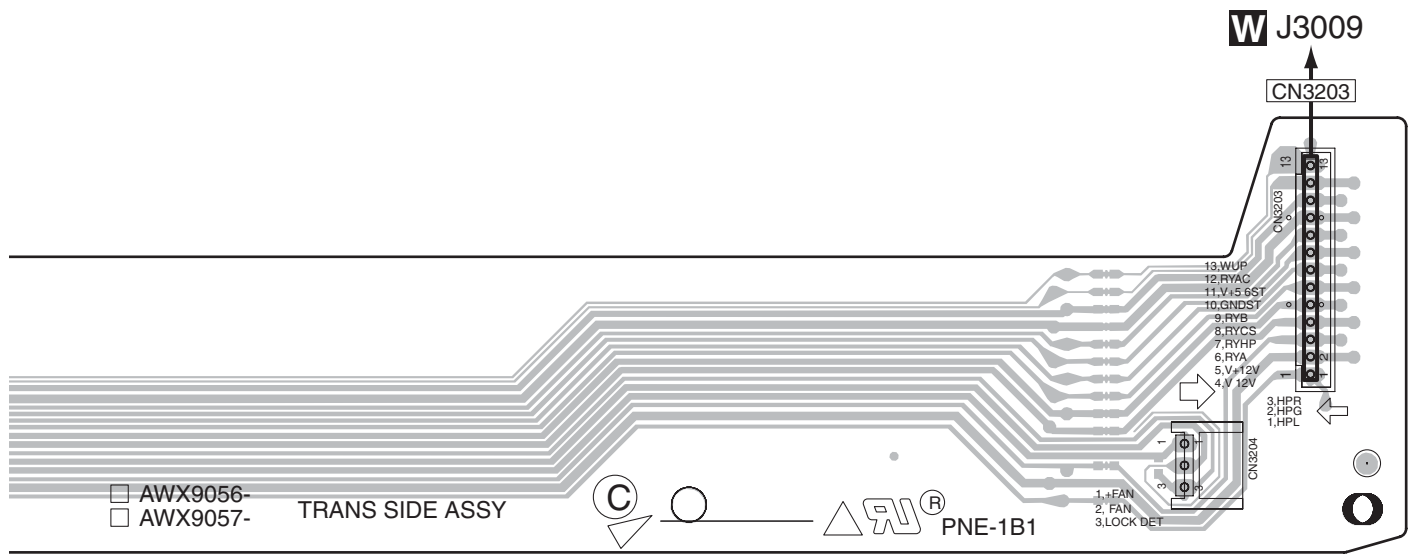


Y

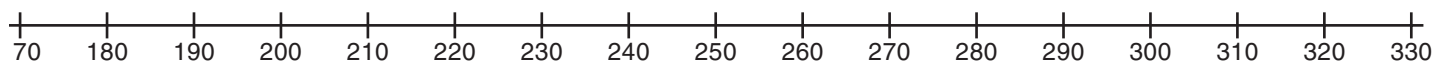
180

VSX-1017AV-K

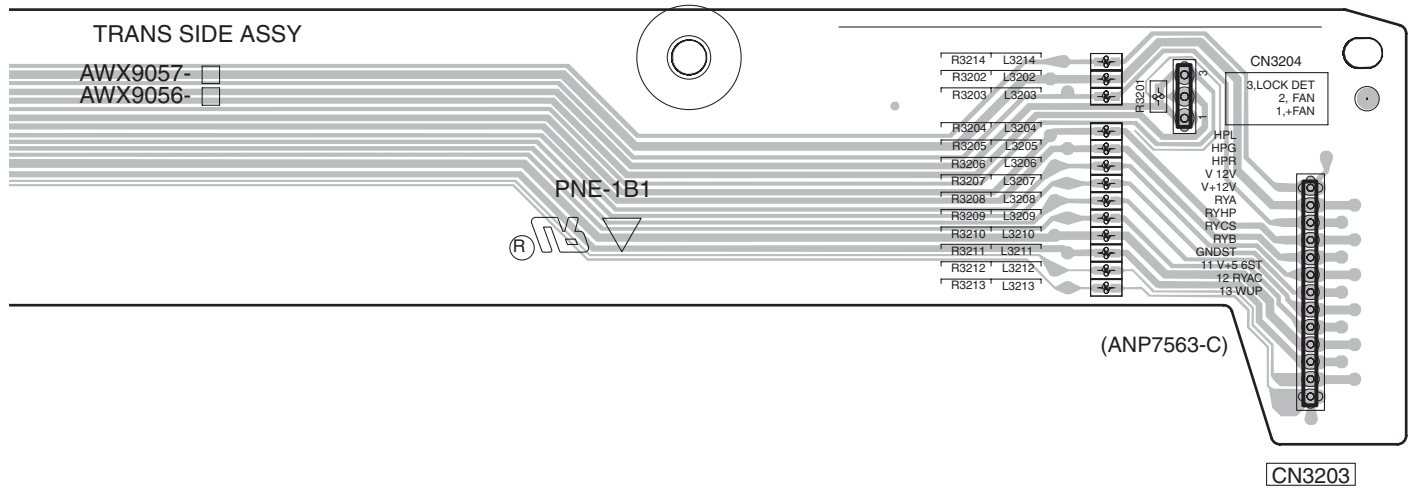
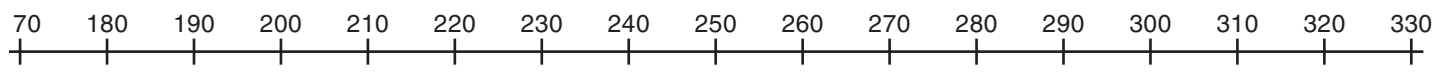
SIDE A



(ANP7563-C)



SIDE B



(ANP7563-C)

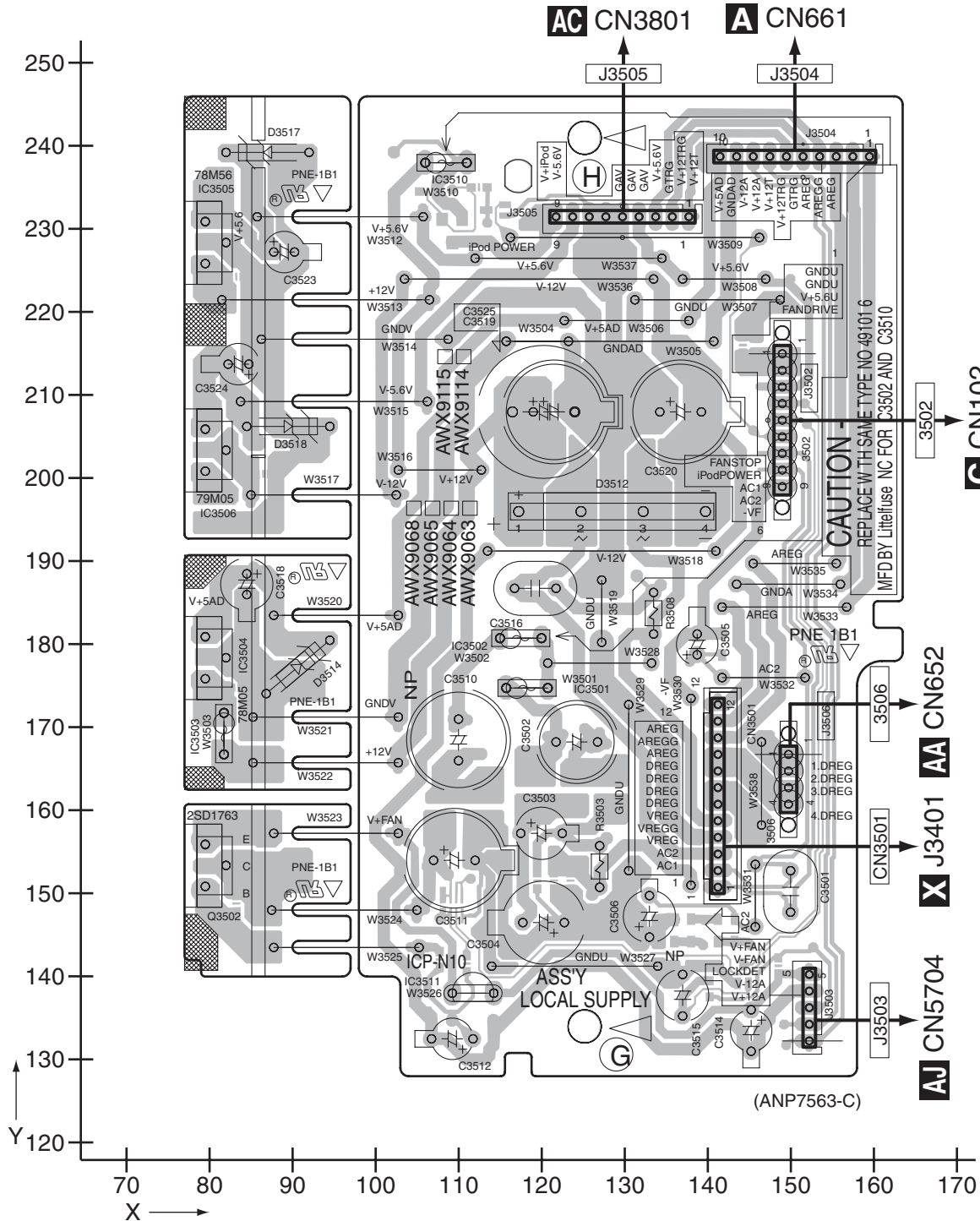
CN3203

11.24 LOCAL P-SUPPLY ASSY

SIDE A

SIDE A

Z LOCAL P-SUPPLY ASSY

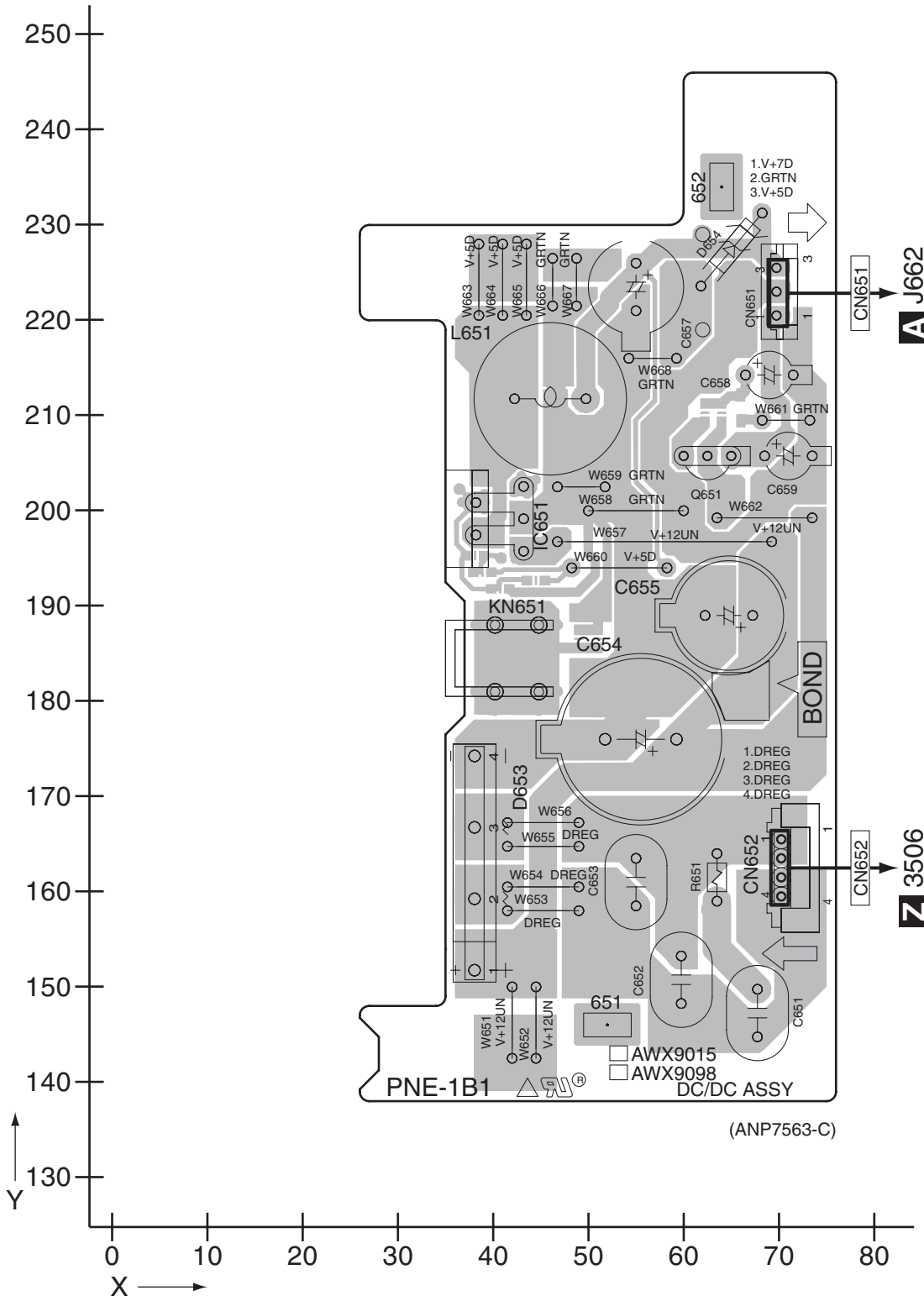


11.25 DC/DC ASSY

SIDE A

SIDE A

AA DC/DC ASSY



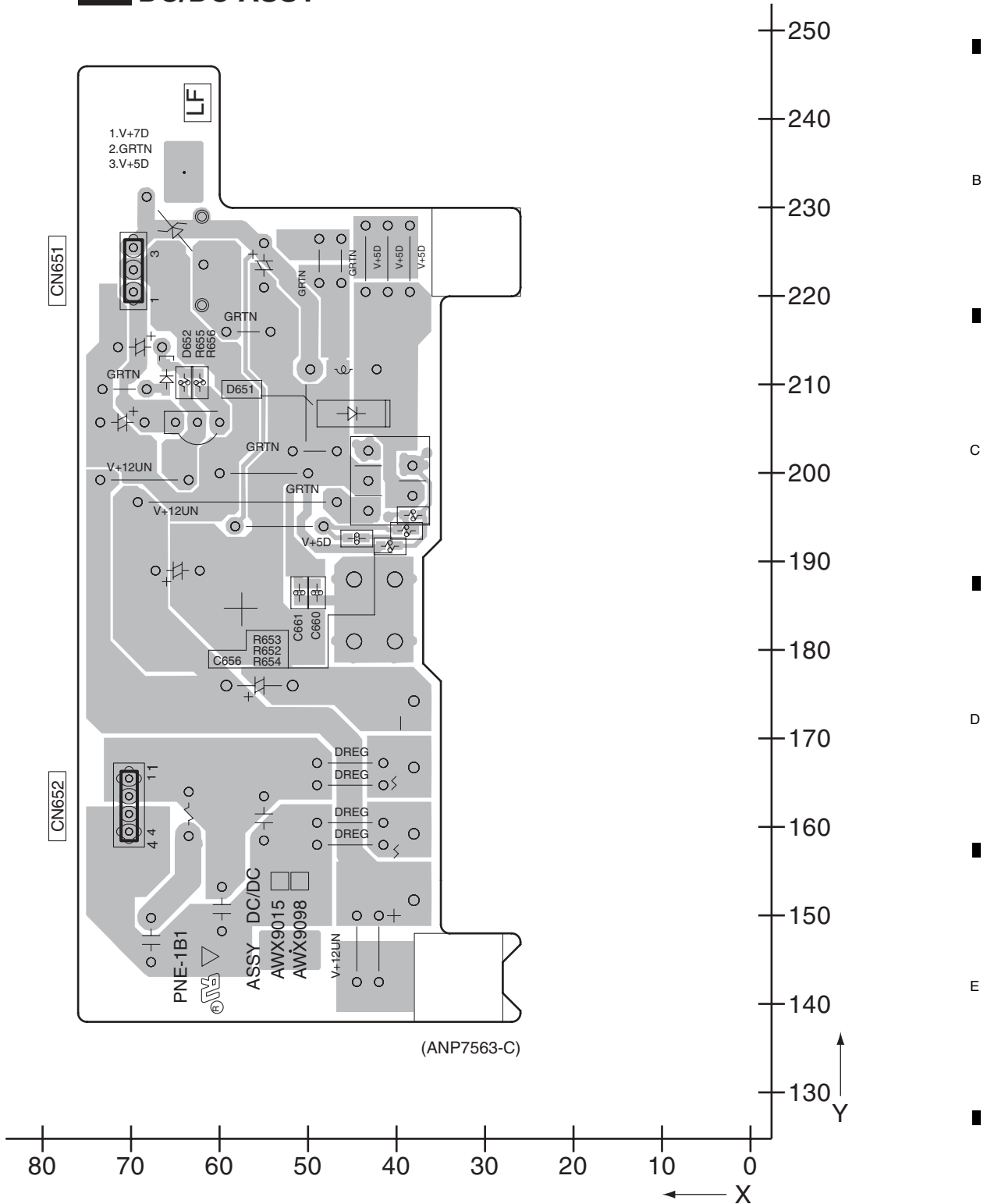
AA

AA

SIDE B

SIDE B

AA DC/DC ASSY



AA

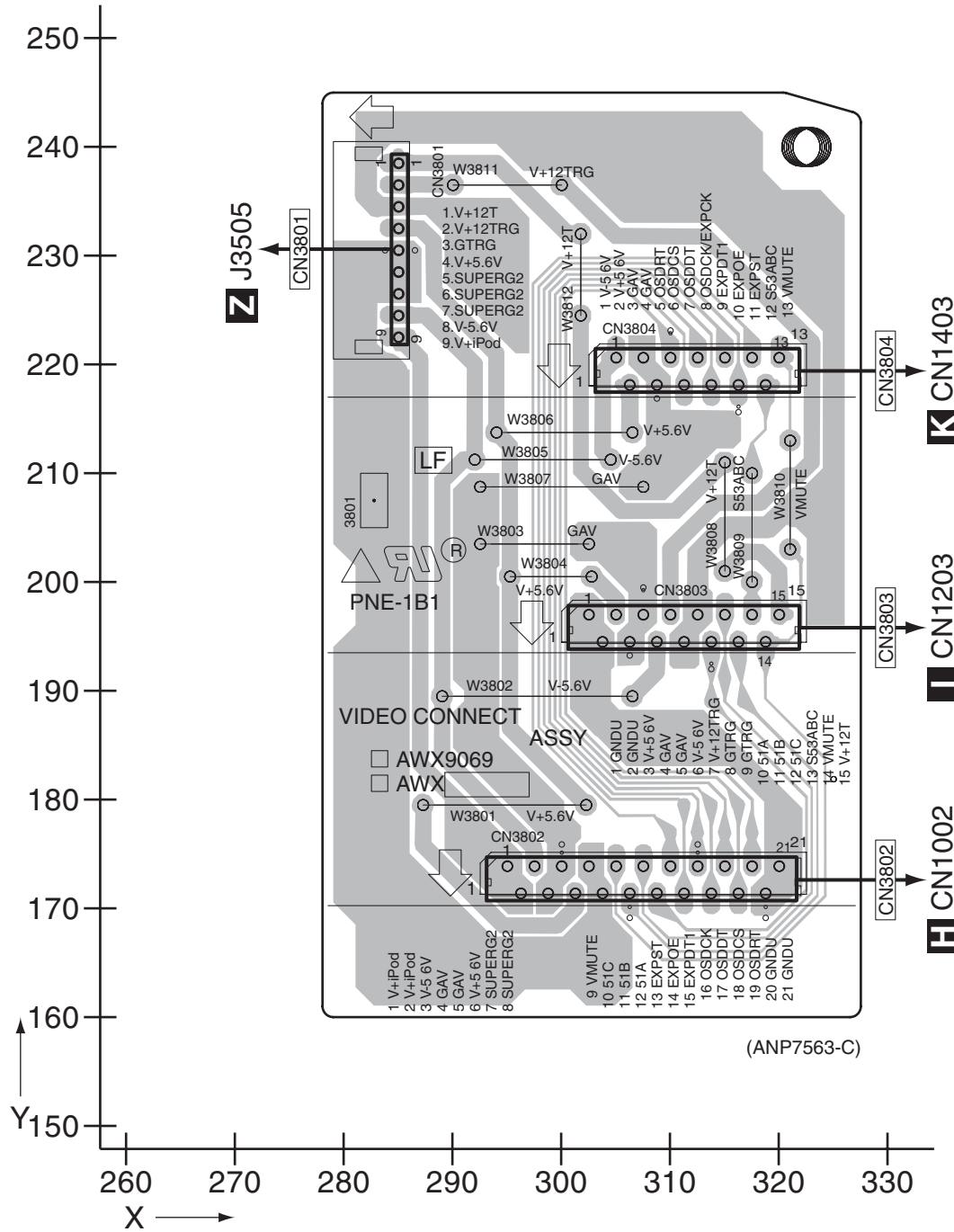
AA

11.26 VIDEO CONNECT ASSY

SIDE A

SIDE A

AC VIDEO CONNECT ASSY



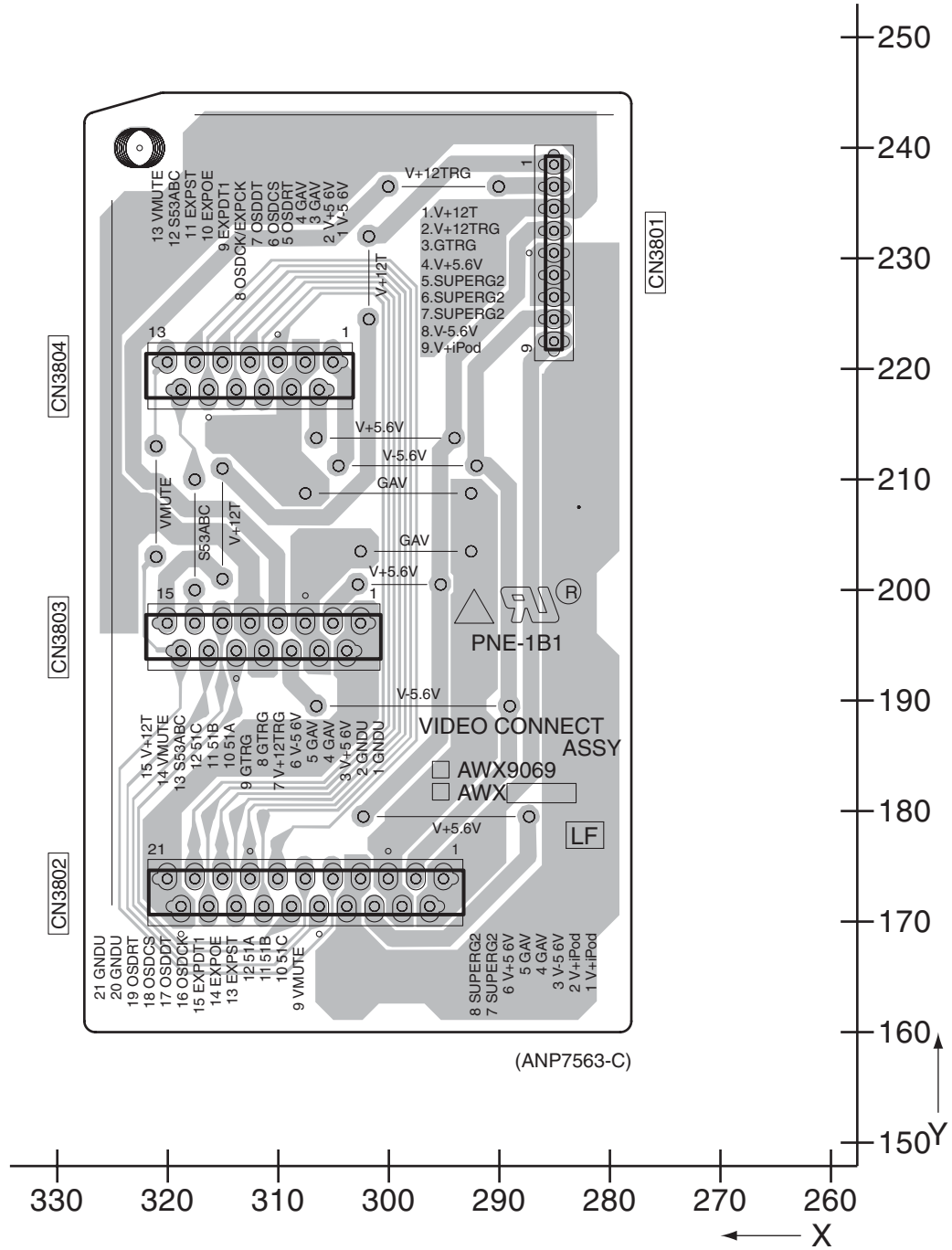
AC

AC

SIDE B

SIDE B

AC VIDEO CONNECT ASSY



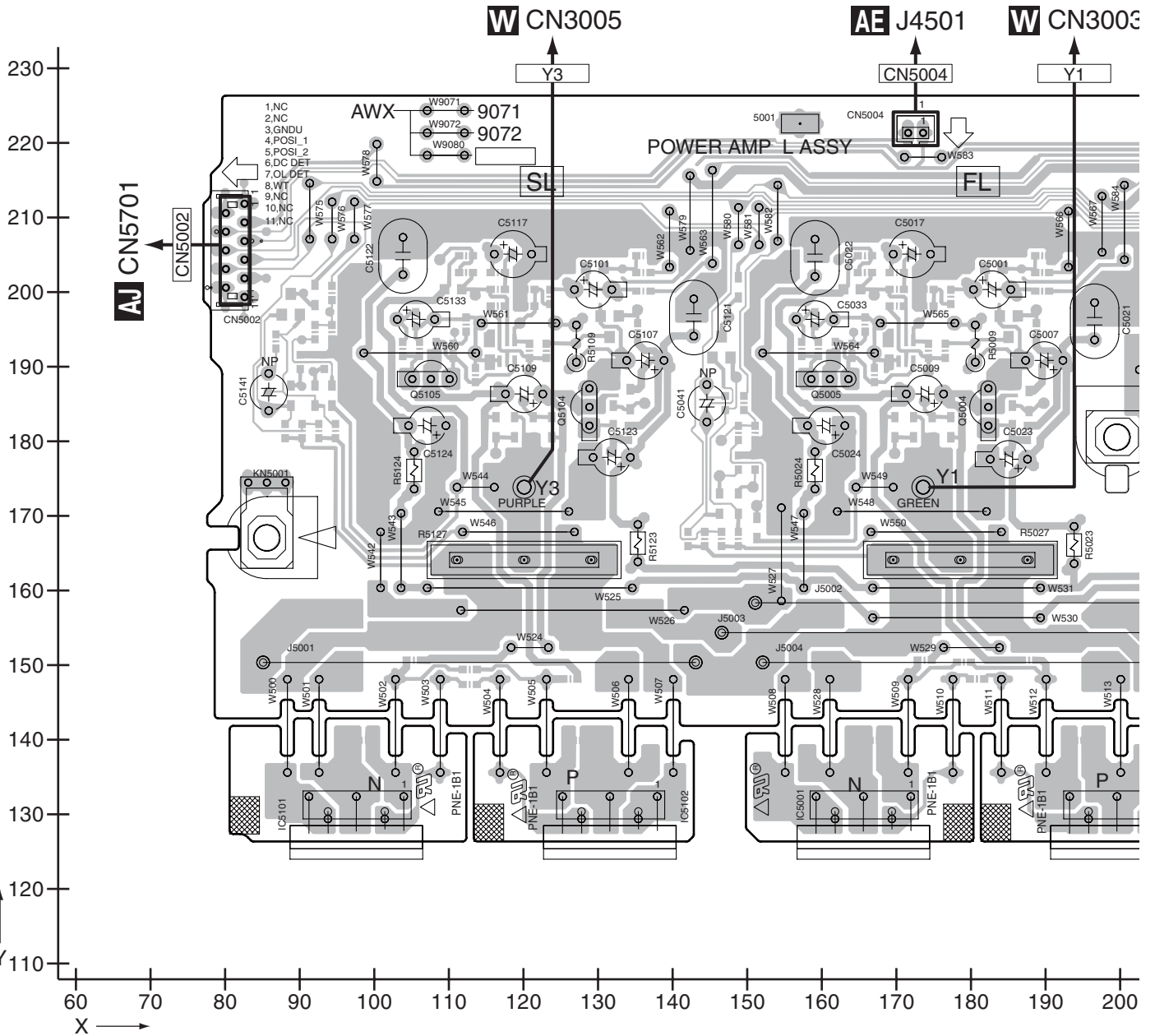
AC

AC

11.27 POWER AMP-L ASSY

SIDE A

AD POWER AMP-L ASSY



AD

SIDE A

A

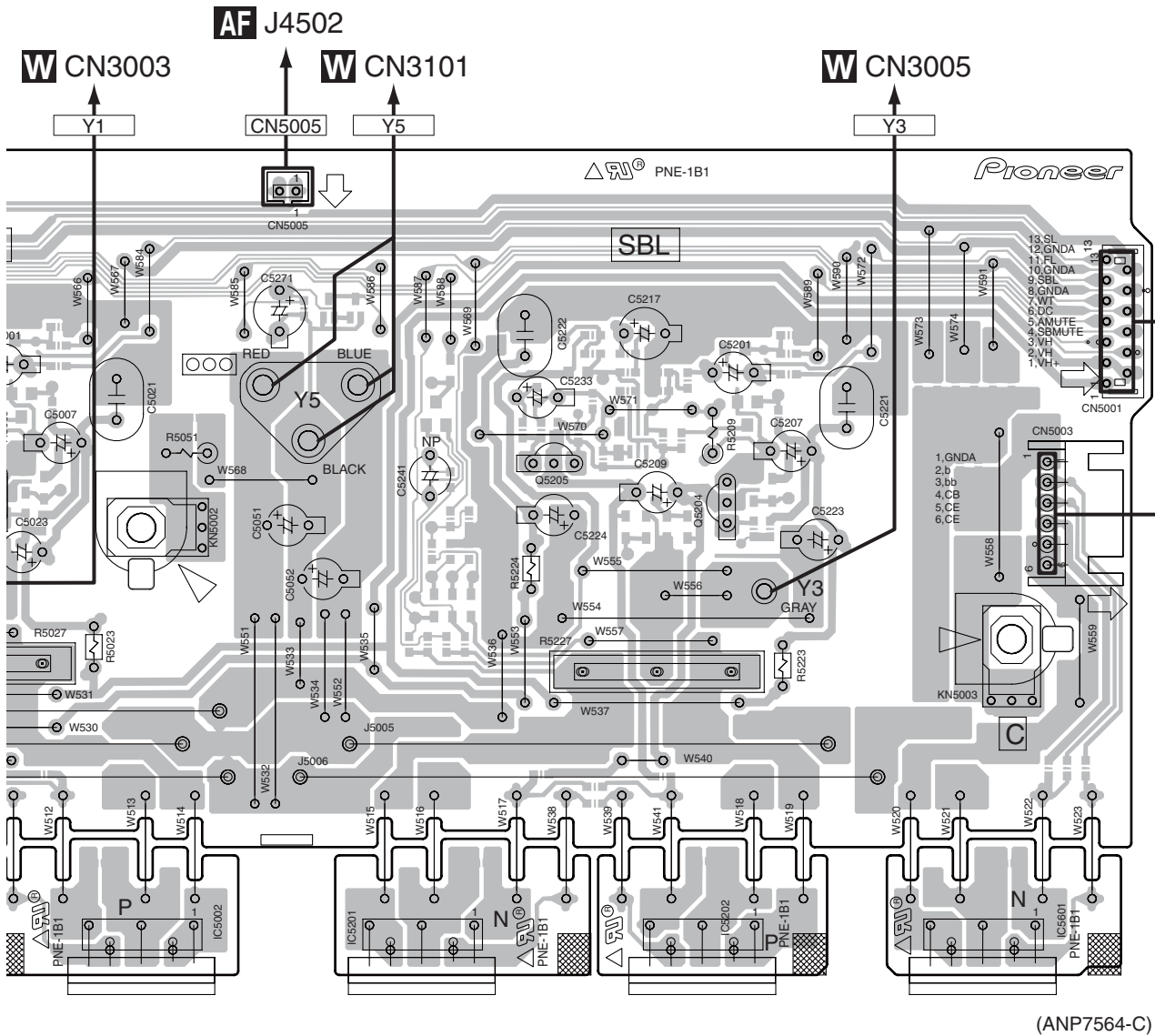
B

C

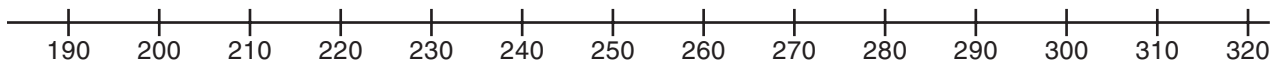
D

E

F

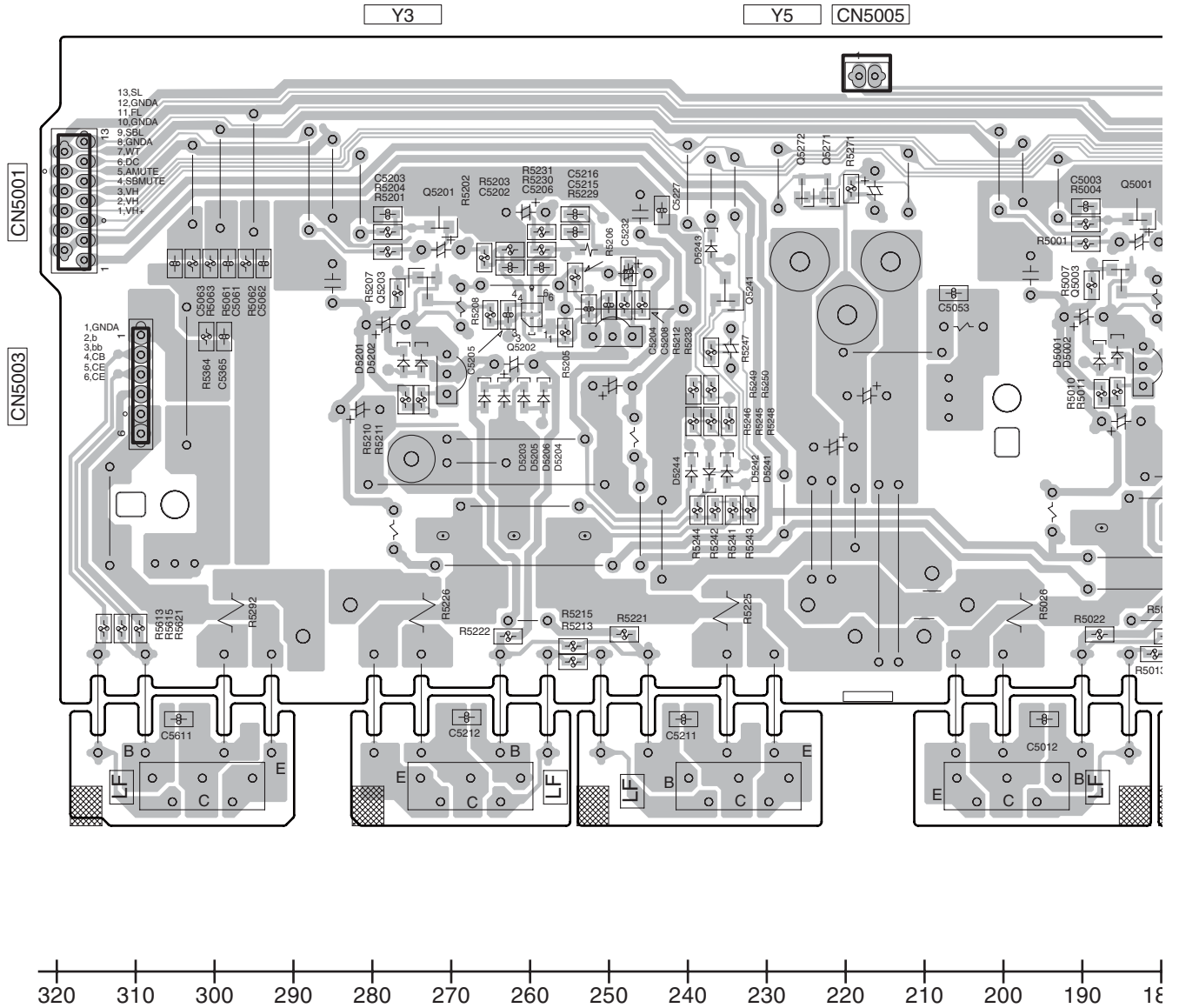


(ANP7564-C)

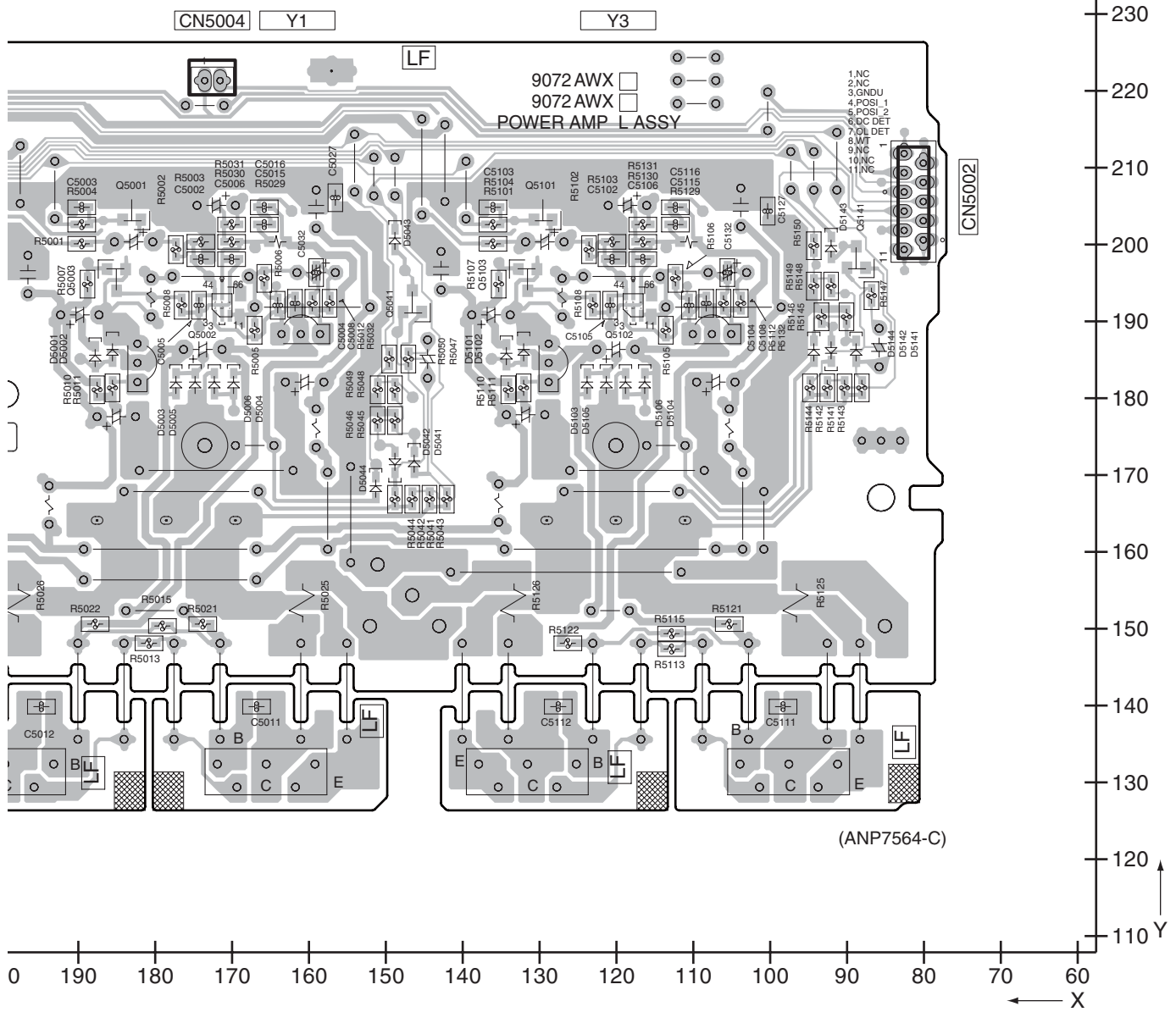


SIDE B

AD POWER AMP-L ASSY

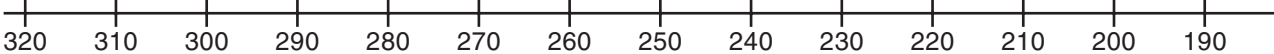
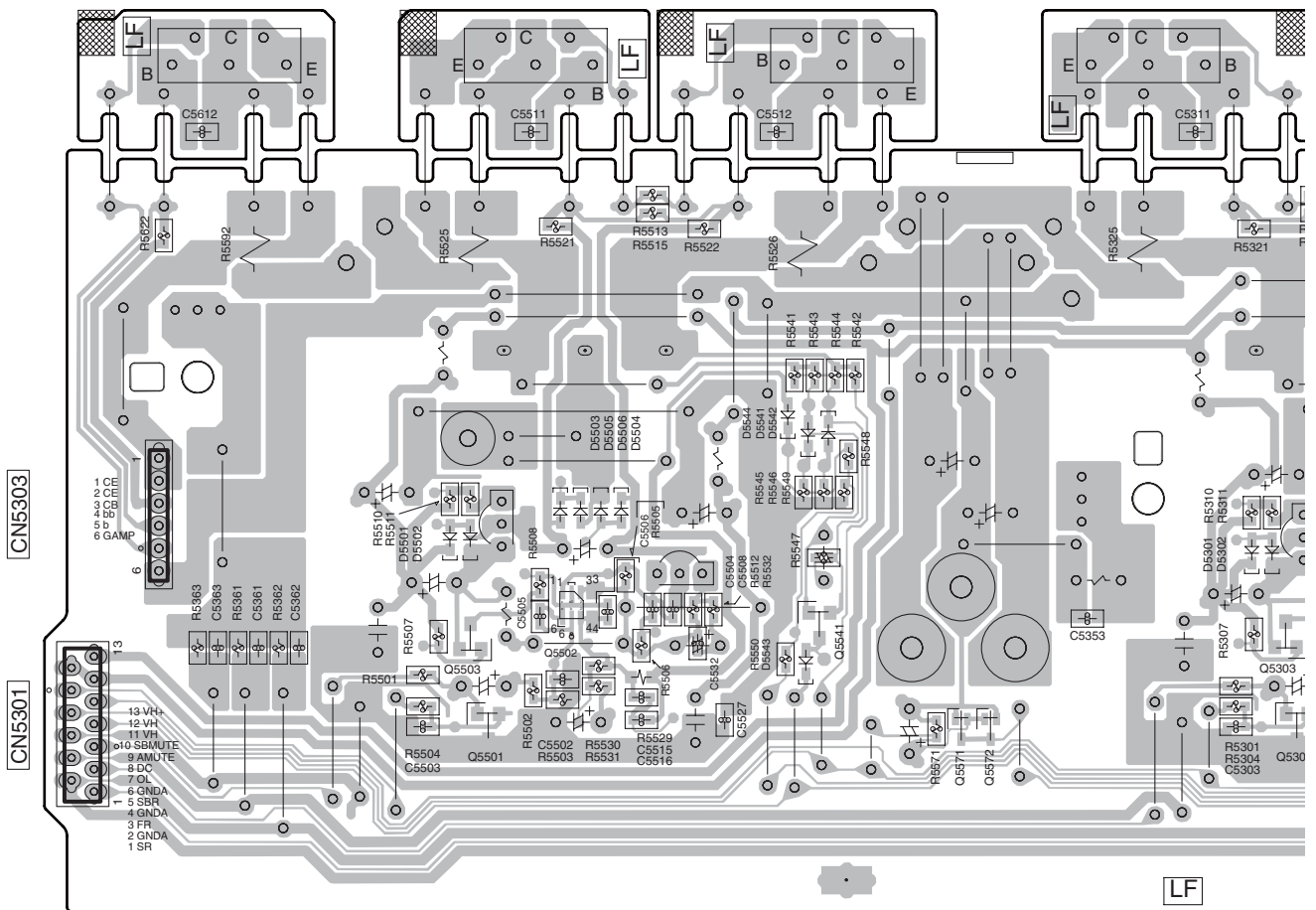


AD



SIDE B

AG POWER AMP-R ASSY



AG

SIDE B

A

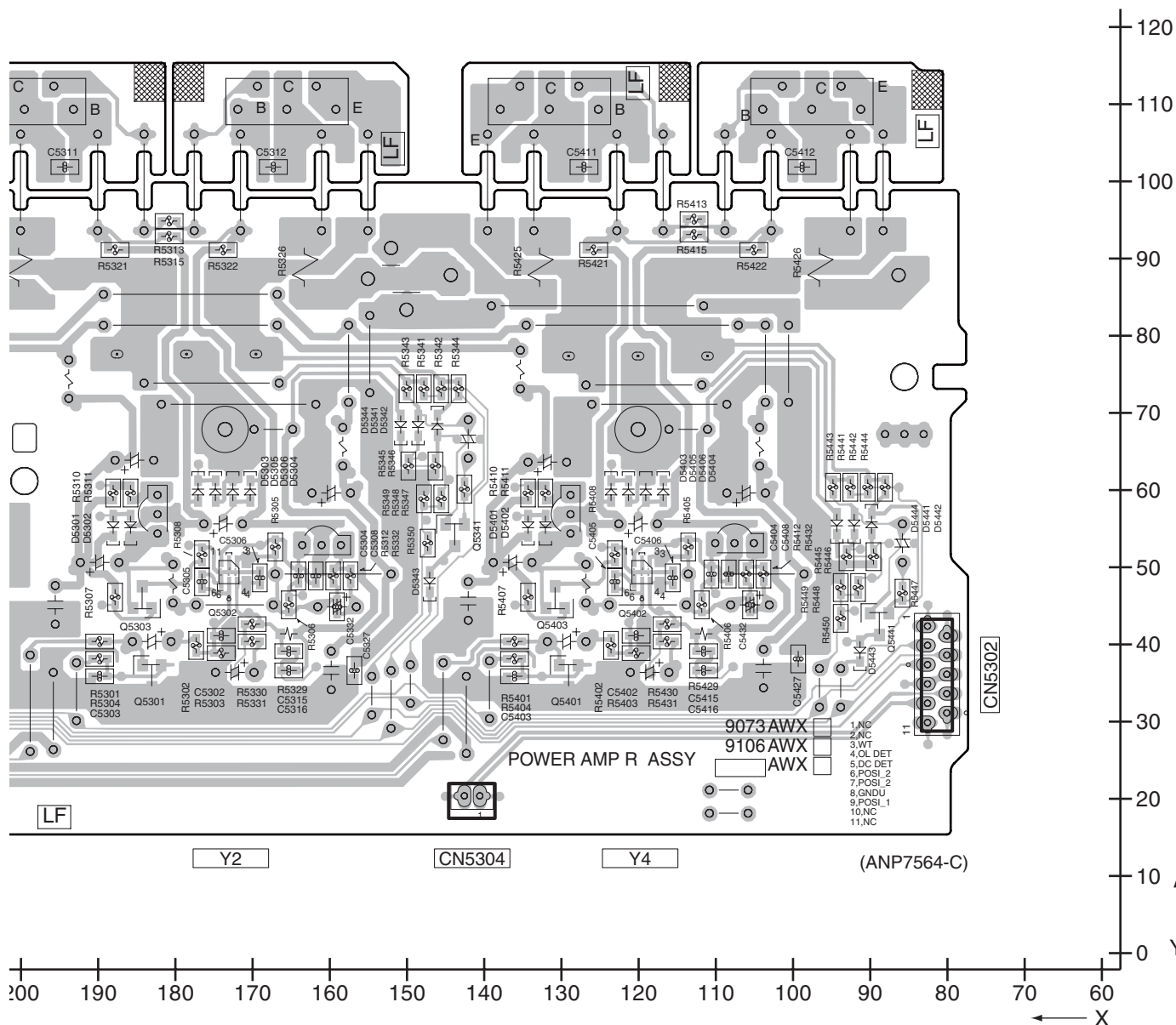
B

C

D

E

F

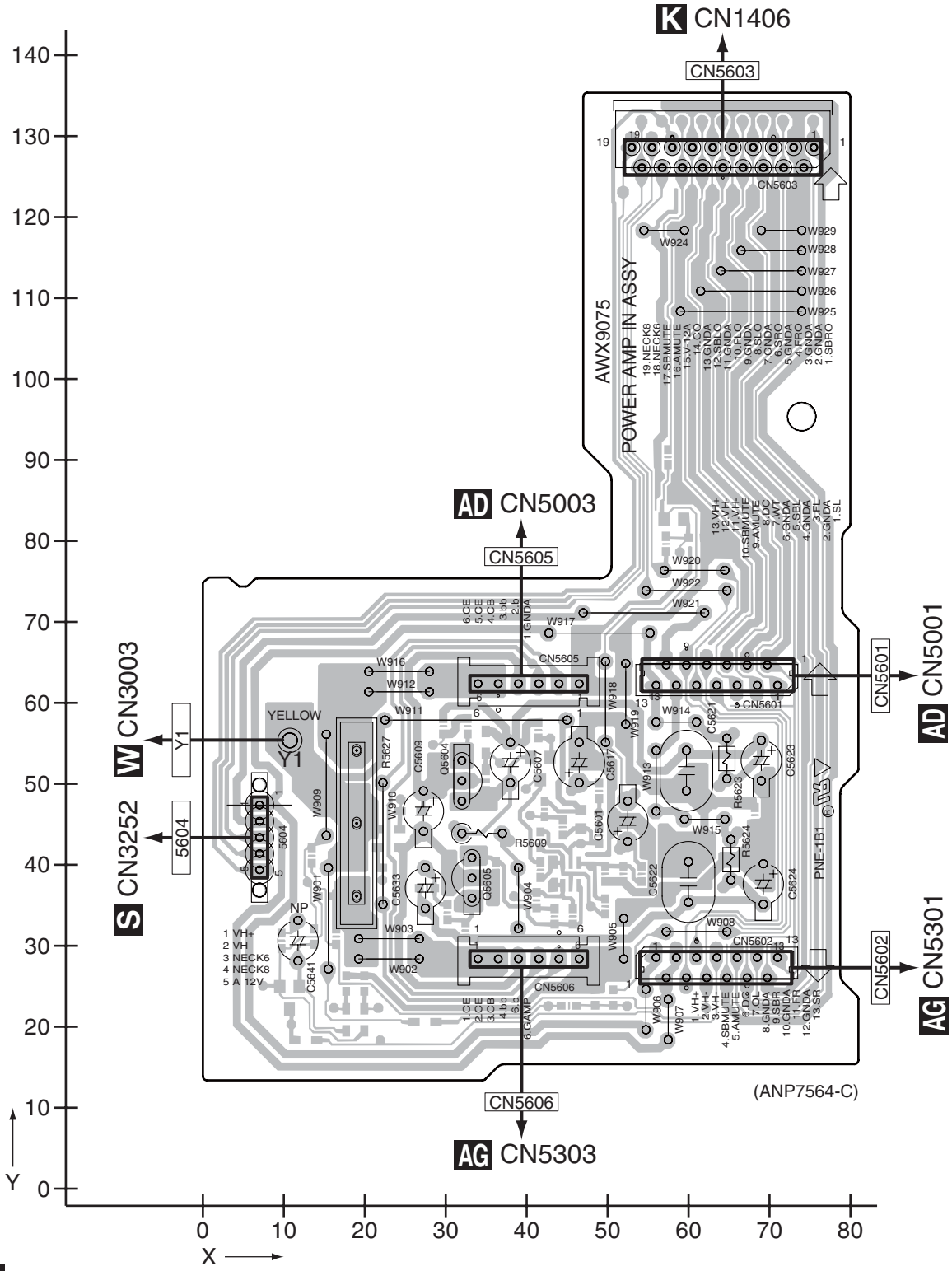


11.29 POWER AMP IN ASSY

SIDE A

SIDE A

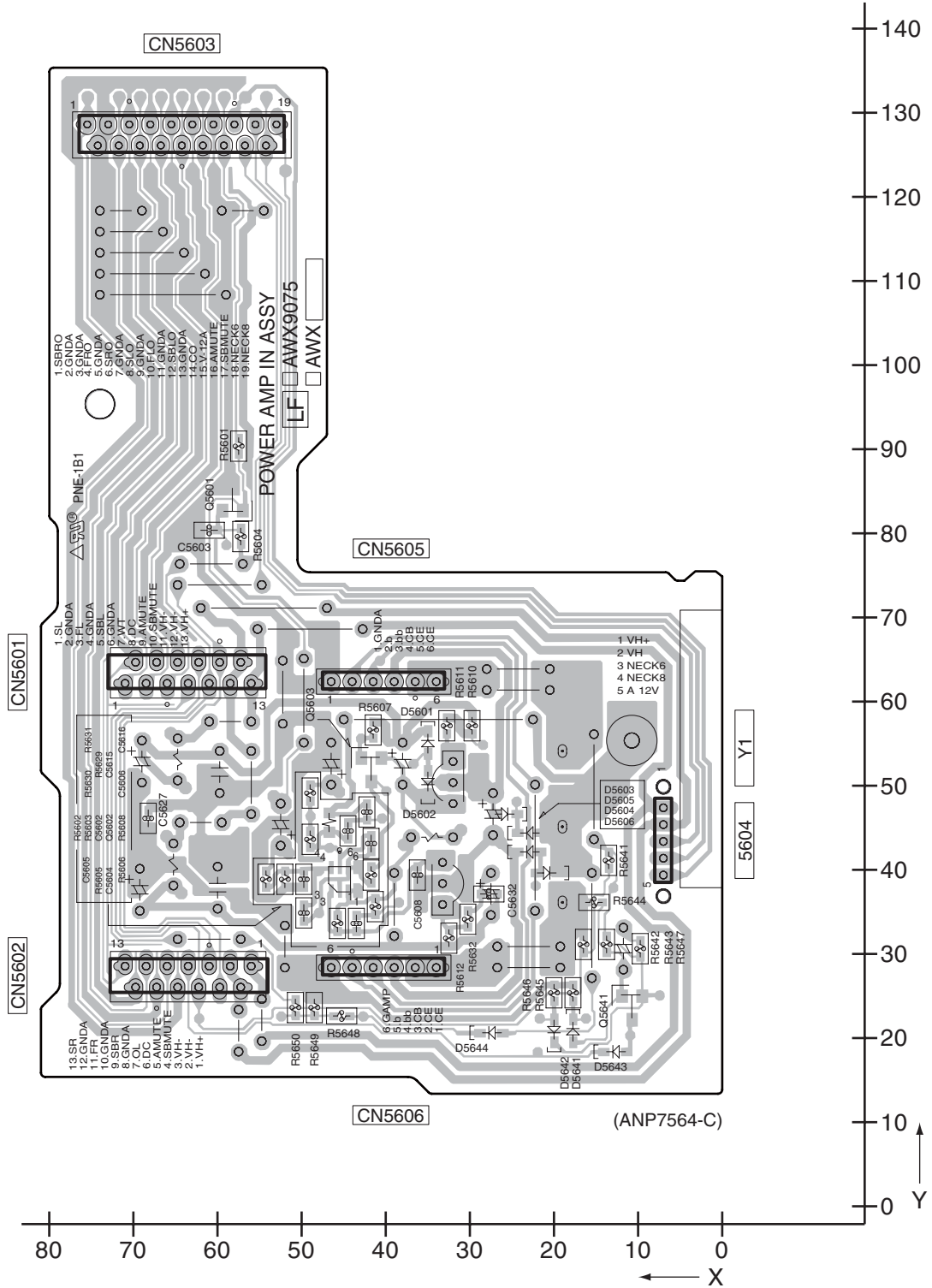
AI POWER AMP IN ASSY



SIDE B

SIDE B

AI POWER AMP IN ASSY



AI

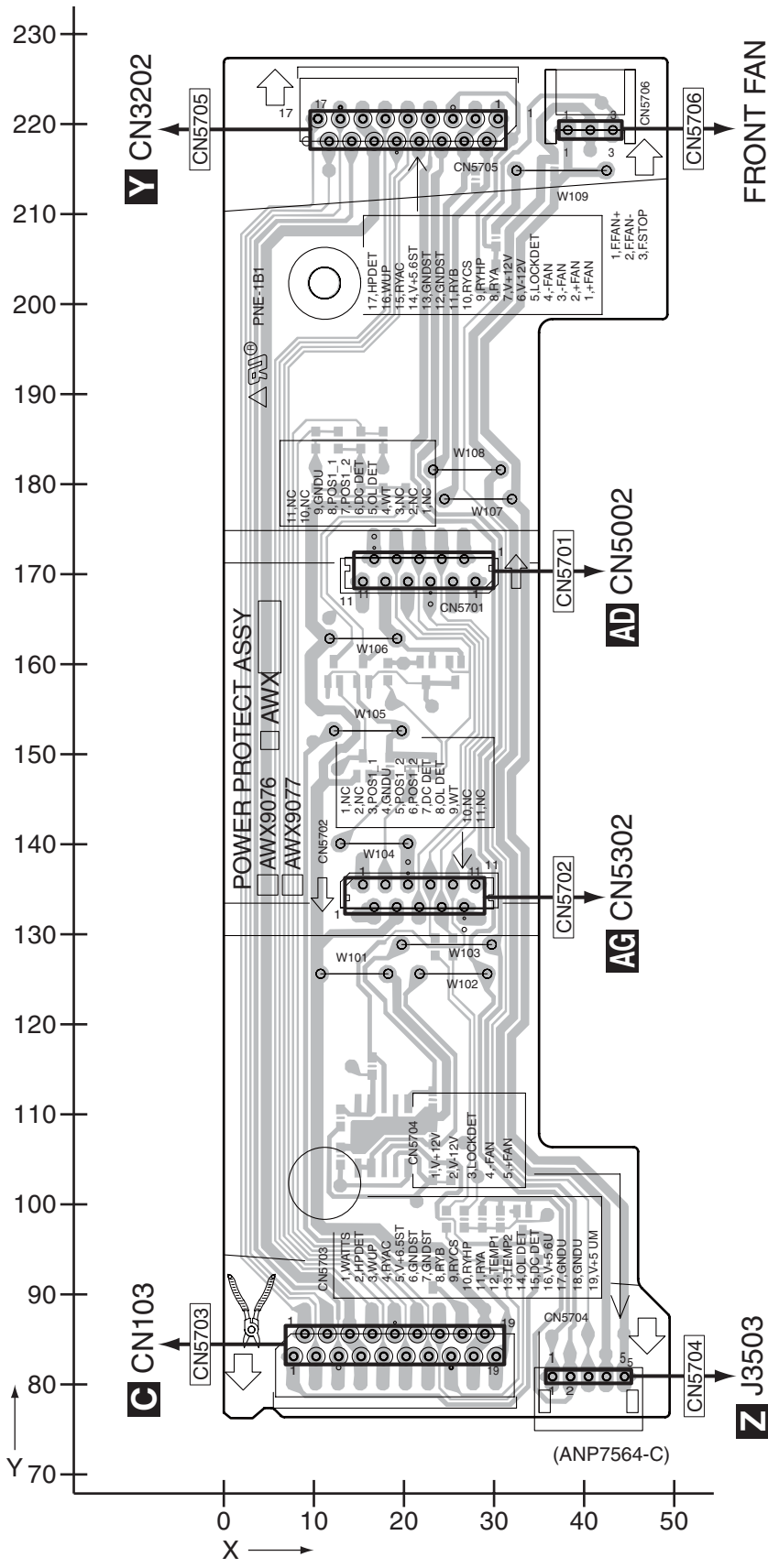
AI

11.30 POWER PROTECT ASSY

SIDE A

SIDE A

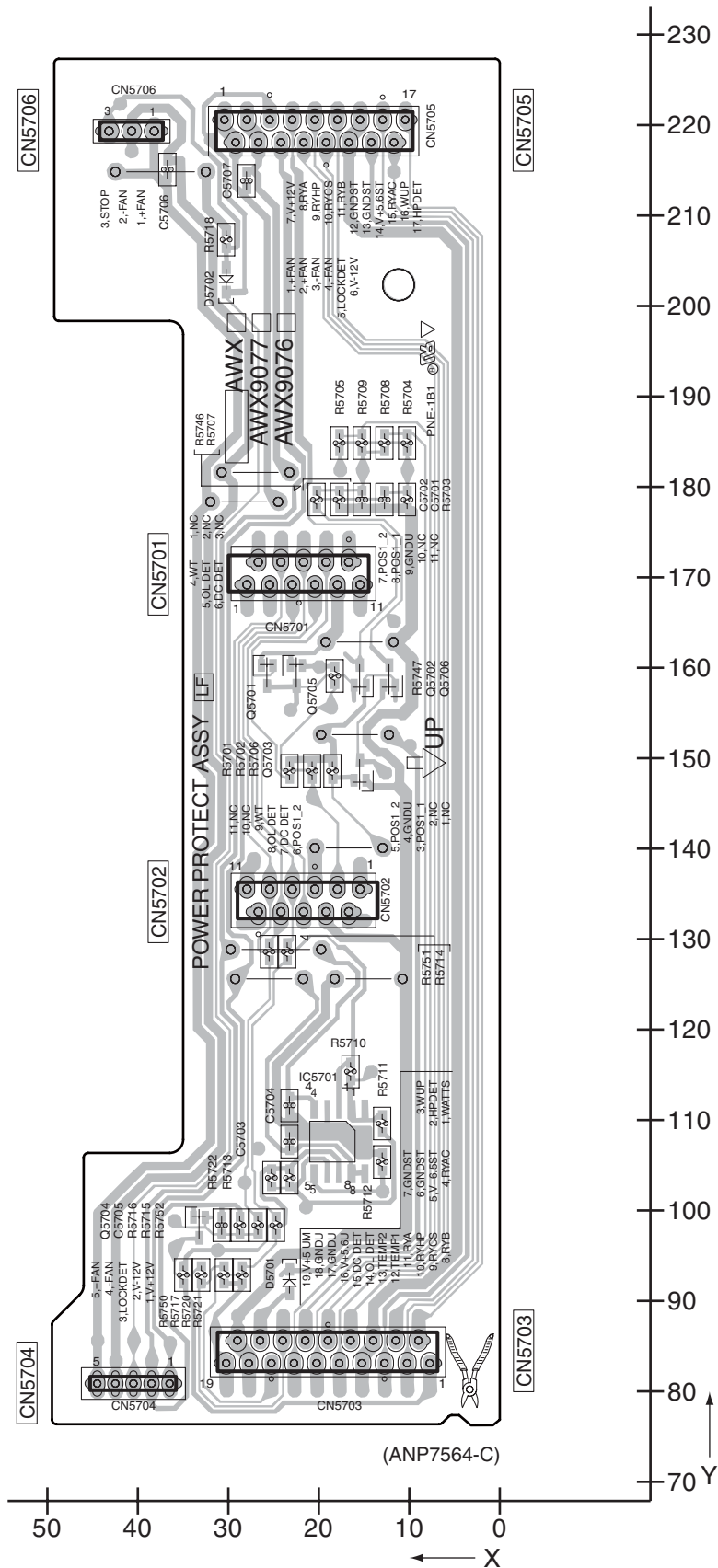
AJ POWER PROTECT ASSY



SIDE B

SIDE B

AJ POWER PROTECT ASSY

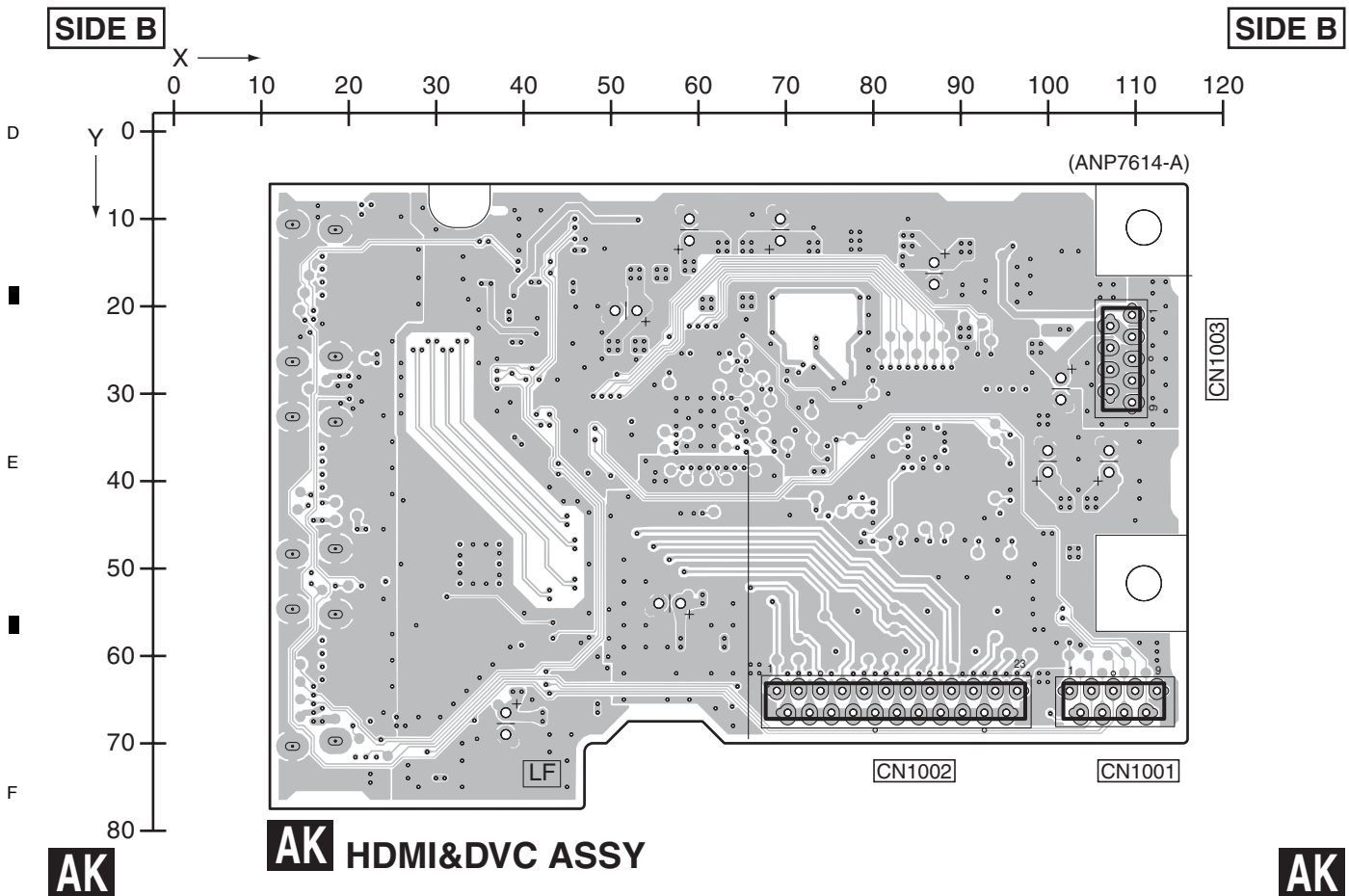
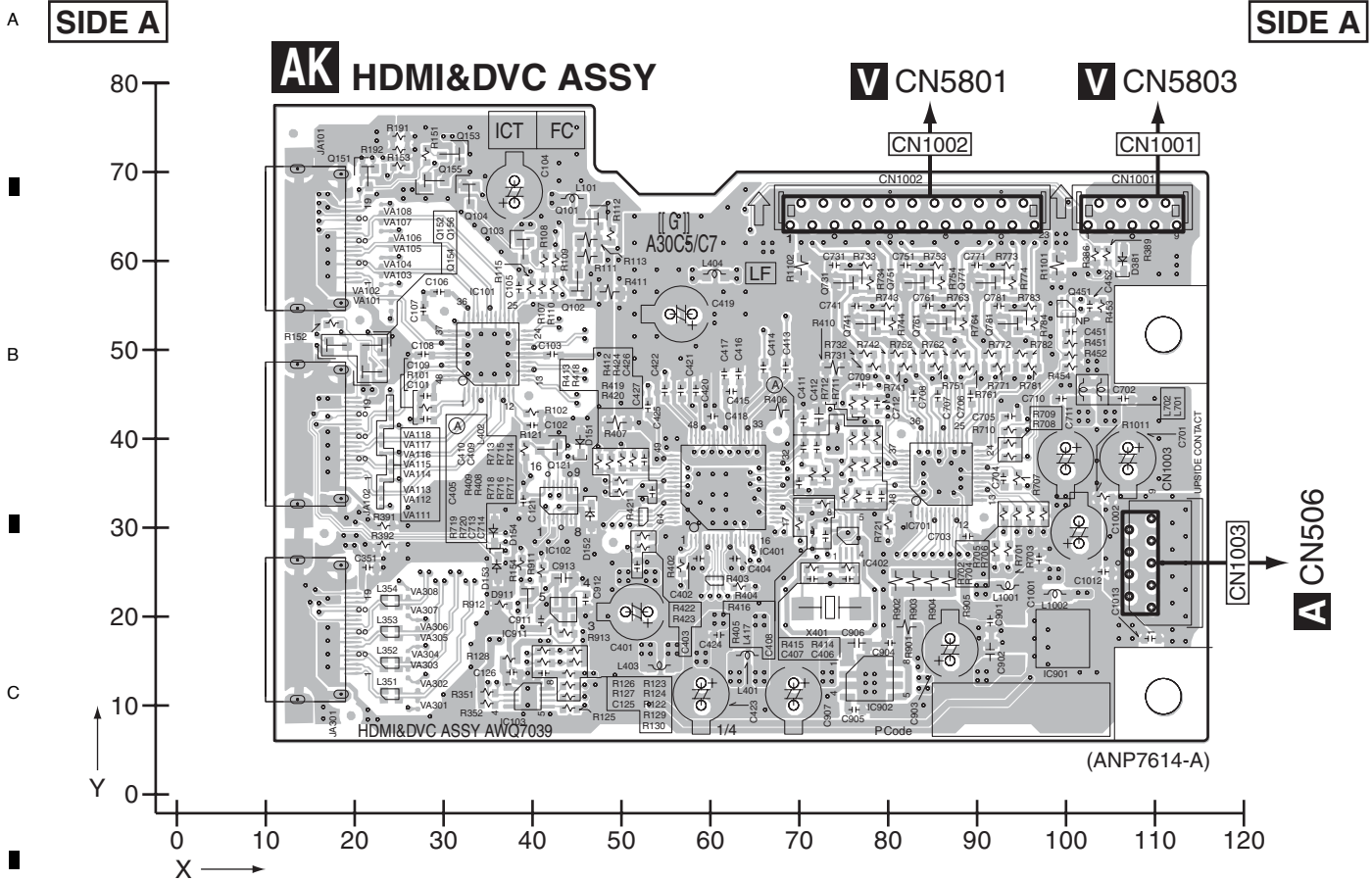


AJ

AJ

VSX-1017AV-K

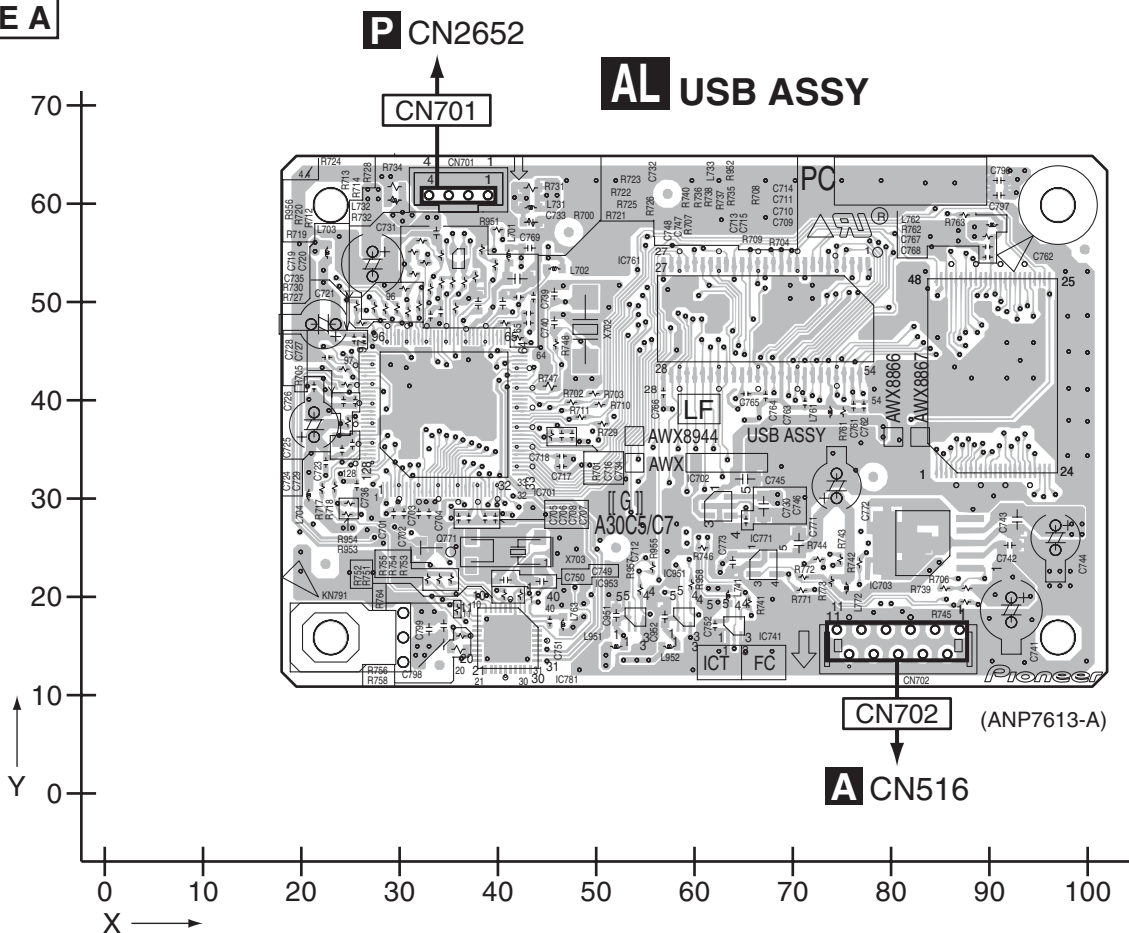
11.31 HDMI & DVC ASSY



11.32 USB ASSY (VSX-1017AV ONLY)

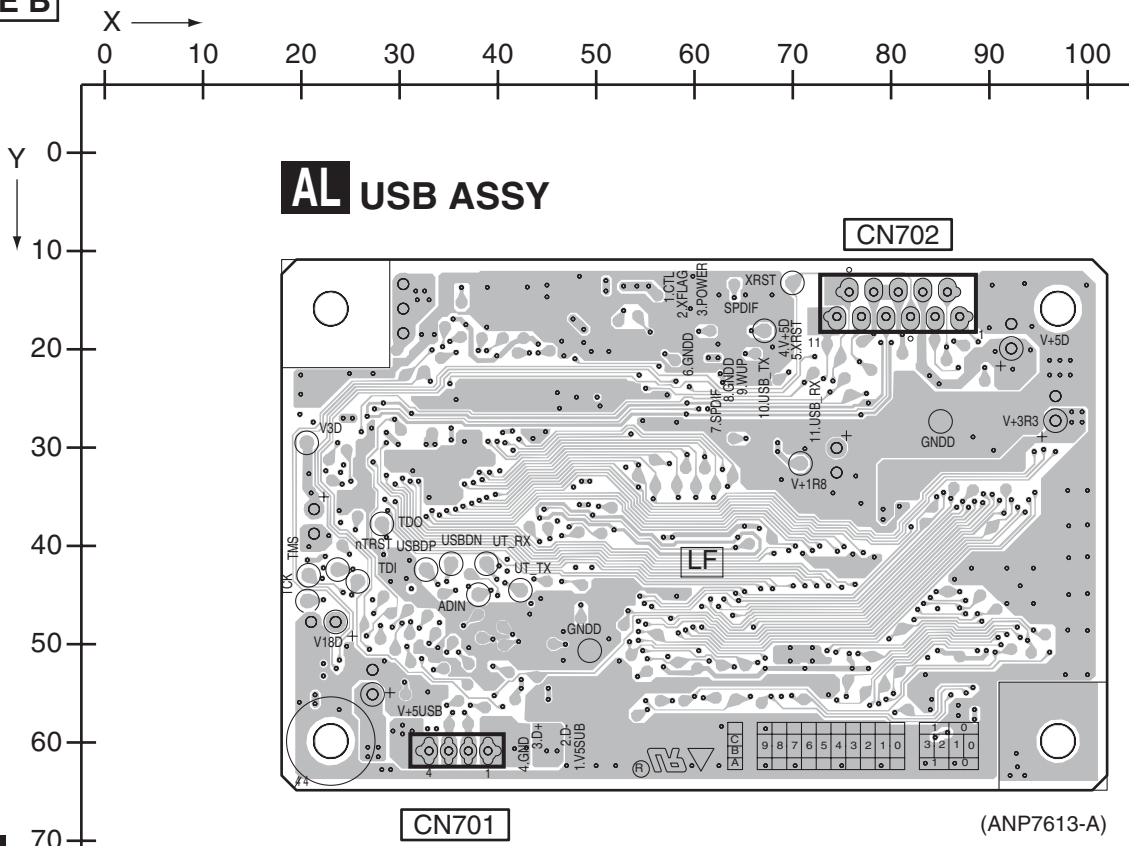
SIDE A

SIDE A



SIDE B

SIDE B



AL

AL

12. PCB PARTS LIST

NOTES: ● Parts marked by "NSP" are generally unavailable because they are not in our Master Spare Parts List.

● The Δ mark found on some component parts indicates the importance of the safety factor of the part. Therefore, when replacing, be sure to use parts of identical designation.

● When ordering resistors, first convert resistance values into code form as shown in the following examples.

Ex.1 When there are 2 effective digits (any digit apart from 0), such as 560 ohm and 47k ohm (tolerance is shown by J=5%, and K=10%).

560 Ω \rightarrow 56 x 10¹ \rightarrow 561 RD1/4PU 561J
 47k Ω \rightarrow 47 x 10³ \rightarrow 473 RD1/4PU 473J
 0.5 Ω \rightarrow R50 RN2H R50K
 1 Ω \rightarrow 1R0 RS1P 1R0K

Ex.2 When there are 3 effective digits (such as in high precision metal film resistors).

5.62k Ω \rightarrow 562 x 10¹ \rightarrow 562 RN1/4PC 5621F

● Meaning of the figures and others in the parentheses in the parts list.

Example) IC 301 is on the point (face A, 91 of x axis, and 111 of y axis) of the corresponding PC board.

IC 301 (A, 91, 111) IC NJM2068V

LIST OF WHOLE PCB ASSEMBLIES

Mark	Symbol and Description	VSX-1017AV-K/ HYXJ5	VSX-1017AV-S/ HYXJ5	VSX-1017TXV-K/ KUXJ	VSX-90TXV/ KUXJ/CA	
NSP	1..MAIN ASSY	AWK7980	AWK7980	AWK7978	AWK7979	
	2..MAIN CONTROL ASSY	AWX8829	AWX8829	AWX8827	AWX8828	
	2..AUDIO IN ASSY	AWX8834	AWX8834	AWX8832	AWX8833	
	2..12V-REG ASSY	AWX8824	AWX8824	AWX8824	AWX8824	
	2..GUARD-C ASSY	AWX8839	AWX8839	AWX8839	AWX8839	
	2..GUARD-F ASSY	AWX8838	AWX8838	AWX8838	AWX8838	
	2..GUARD-R ASSY	AWX8840	AWX8840	AWX8840	AWX8840	
	1..DSP ASSY	AWX8806	AWX8806	AWX8805	AWX8805	
	NSP	1..VIDEO ASSY	AWK7988	AWK7988	AWK7986	AWK7987
		2..COMPOSITE ASSY	AWX8854	AWX8854	AWX8852	AWX8853
2..S-VIDEO ASSY		AWX8858	AWX8858	AWX8856	AWX8857	
2..COMPONENT ASSY		AWX8862	AWX8862	AWX8860	AWX8860	
2..BRIDGE 2 ASSY		AWX8850	AWX8850	AWX8850	AWX8850	
NSP	1..COMPLEX ASSY	AWK8021	AWK8020	AWK8018	AWK8019	
	2..PRIMARY ASSY	AWX9086	AWX9086	AWX9085	AWX9085	
	2..TRANS 1 ASSY	AWX9038	AWX9038	AWX9038	AWX9038	
	2..DISPLAY ASSY	AWX8878	AWX8878	AWX8876	AWX8877	
	2..VOLUME ASSY	AWX9044	AWX9111	AWX9044	AWX9044	
	2..MULTI JOG ASSY	AWX8881	AWX8882	AWX8881	AWX8881	
	2..FRONT-IN ASSY	AWX8955	AWX8955	AWX8954	AWX8954	
	2..HEADPHONE ASSY	AWX9049	AWX9049	AWX9049	AWX9049	
NSP	1..SECONDARY ASSY	AWK7997	AWK7997	AWK7995	AWK7996	
	2..PS/SP ASSY	AWX9108	AWX9108	AWX9054	AWX9054	
	2..TRANS SIDE ASSY	AWX9056	AWX9056	AWX9056	AWX9056	
	2..TRANS 2-1 ASSY	AWX9059	AWX9059	AWX9058	AWX9058	
	2..DIODE 1 ASSY	AWX9060	AWX9060	AWX9060	AWX9060	
	2..VH TR ASSY	AWX9061	AWX9061	AWX9061	AWX9061	
	2..TRANS 2-2 ASSY	AWX9062	AWX9062	AWX9062	AWX9062	
	2..LOCAL P-SUPPLY ASSY	AWX9064	AWX9064	AWX9063	AWX9063	
	2..IR I/O ASSY	AWX9067	AWX9067	AWX9101	AWX9066	
	2..VIDEO CONNECT ASSY	AWX9069	AWX9069	AWX9069	AWX9069	
	2..DC/DC ASSY	AWX9015	AWX9015	AWX9015	AWX9015	
NSP	1..POWER AMP ASSY	AWK7922	AWK7922	AWK7921	AWK7921	
	2..POWER AMP-L ASSY	AWX9072	AWX9072	AWX9071	AWX9071	
	2..POWER AMP-R ASSY	AWX9073	AWX9073	AWX9106	AWX9106	
	2..POWER AMP IN ASSY	AWX9075	AWX9075	AWX9075	AWX9075	
	2..POWER PROTECT ASSY	AWX9077	AWX9077	AWX9076	AWX9076	
	2..BRIDGE 1-L ASSY	AWX9079	AWX9079	AWX9079	AWX9079	
	2..POSI 1-L ASSY	AWX9081	AWX9081	AWX9080	AWX9080	
	2..POSI 2-L ASSY	AWX9082	AWX9082	Not used	Not used	
	2..POSI 1-R ASSY	AWX9084	AWX9084	AWX9083	AWX9083	
	1..HDMI & DVC ASSY	AWQ7039	AWQ7039	AWQ7039	AWQ7039	
	1..USB ASSY	AWX8866	AWX8866	Not used	Not used	
1..FM/AM TUNER UNIT	AXX7248	AXX7248	AXX7250	AXX7250		

CONTRAST OF PCB ASSEMBLIES**A AUDIO IN ASSY**

AWX8834, AWX8832 and AWX8833 are constructed the same except for the following:

Mark	Symbol and Description	AWX8834	AWX8832	AWX8833
	IC663	Not used	Not used	NJM78M12FA
	D671	Not used	Not used	RB501V-40-TRB
	C501, C502, C505-C510, C513-C518	CCSRCH101J50	Not used	Not used
	C521-C526, C541-C544, C549-C552	CCSRCH101J50	Not used	Not used
	C527, C528, C531-C536, C539	CCSRCH151J50	Not used	Not used
	C540, C547, C548	CCSRCH151J50	Not used	Not used
	C503, C504, C511, C512, C519, C520	CCSRCH221J50	Not used	Not used
	C678	Not used	Not used	CKSRYB103K50
	C679	Not used	Not used	CEAT100M50-TS
	CN516 11P Plug	XKP3065	Not used	Not used

C MAIN CONTROL ASSY

AWX8829, AWX8827 and AWX8828 are constructed the same except for the following:

Mark	Symbol and Description	AWX8829	AWX8827	AWX8828
	IC251	LC72725KM	Not used	Not used
	IC252	Not used	TC74VHC125FTS1	TC74VHC125FTS1
	Q103	Not used	Not used	RT1P241M-TLB
	Q113	Not used	RT1N241M	RT1N241M
	C251	CEAT100M50-TS	Not used	Not used
	C253	CCSRCH561J50	Not used	Not used
	C254	CEAT101M10-TS	Not used	Not used
	C255	CKSRYB102K50	Not used	Not used
	C256, C257	CCSRCH270J50	Not used	Not used
	C260	CKSRYB472K50	Not used	Not used
	C498	Not used	CKSRYB104K16	CKSRYB104K16
	R102	Not used	Not used	RS1/16S473J
	R104	Not used	RS1/16S473J	RS1/16S473J
	R122, R266	Not used	RS1/16S472J	RS1/16S472J
	R126, R127	Not used	RS1/16S101J	RS1/16S101J
	R223	Not used	Not used	RS1/16S103J
	R251	RS1/16S473J	Not used	Not used
	R252-R254	RS1/16S102J	Not used	Not used
	R255	RS1/16S0R0J	Not used	Not used
	R260-R263	Not used	RS1/16S221J	RS1/16S221J
	R264, R265	Not used	RS1/16S104J	RS1/16S104J
	R268	Not used	RS1/16S274J	RS1/16S274J
	R383, R384	Not used	Not used	RS1/16S0R0J
	R408, R409, R411, R412, R414, R416	RS1/16S0R0J	Not used	Not used
	R420, R421	Not used	RS1/16S0R0J	RS1/16S0R0J
	CN305 12P Connector	Not used	VKN1243	VKN1243
	CN311 Plug(5p)	Not used	KM200NA5	KM200NA5
	X251 Crystal Resonator	ASS7004	Not used	Not used

G DSP ASSY

AWX8806 and AWX8805 are constructed the same except for the following:

Mark	Symbol and Description	AWX8806	AWX8805
	IC401	Not used	F2621E-01-TBB
	IC402	Not used	AAT4618IGV-0.5-1-TLB
	IC951	Not used	TC74VHCT08AFTS1-TBB
	IC953	Not used	TC74VHC08FTS1-TBB
	D401, D402	Not used	UDZS5R6(B)-TRB
	L402	Not used	ATL7002
	L951, L953	Not used	QTL1013

Mark	Symbol and Description	AWX8806	AWX8805
A	C402, C952	Not used	CKSSYB104K10
	C403	Not used	CKSSYB471K50
	C404-C406, C408, C956	Not used	CKSRYB104K16
	C407	Not used	CEVW101M16-TRB
	C409, C410	Not used	CCSSCH9R0D50
	C413	Not used	CKSRYB105K16
	C911	CEVW101M16-TRB	Not used
	R576, R981, R982	RS1/16SS0R0J	Not used
	R404, R406, R428, R563, R978, R980	Not used	RS1/16S101J
	R405, R407	Not used	RS1/16S102J
B	R430	Not used	RS1/16S103J
	R417, R419, R420	Not used	RS1/16S223J
	R433, R435, R436	Not used	RS1/16SS0R0J
	R423-R427, R429, R566, R567, R570, R979	Not used	RS1/16SS101J
	R963, R965	Not used	RS1/16SS104J
	R411	Not used	RS1/16SS105J
	R414, R415, R421, R432	Not used	RS1/16SS223J
	R966, R971, R973	Not used	RS1/16SS331J
	R410	Not used	RS1/16SS471J
	R418	Not used	RAB4CQ101J
C	R964	Not used	RAB4CQ104J
	CN953 12P Connector	Not used	VKN1243
	CN401 4P Socket	Not used	AKP7201
	X401 Crystal Resonator	Not used	ASS7065
	JA501	AKB7131	AKB7173

H COMPOSITE ASSY

AWX8854, AWX8852 and AWX8853 are constructed the same except for the following:

Mark	Symbol and Description	AWX8854	AWX8852	AWX8853
D	IC1002 Logic Ic	Not used	Not used	TC74HC4051AFT-TBB
	IC1151 2ch E-vol	Not used	Not used	M61545FP-TBB
	Q1151 Transistor	Not used	Not used	IMX25
	D1006 Diode	Not used	Not used	DAN202U-TLB
	D1007 Diode	Not used	Not used	1SS355-TRB
	D1112 Diode	Not used	Not used	DAN217U-TLB
	C1003, C1004, C1163 Capacitor	Not used	Not used	CKSRYB104K16
	C1015 Capacitor	Not used	Not used	CEAT101M10
	C1023 Capacitor	Not used	Not used	CCSRCH181J50
	C1101-C1104 Capacitor	CCSRCH101J50	Not used	Not used
E	C1151-C1154 Capacitor	Not used	Not used	CEAT2R2M50
	C1155, C1156, C1161, C1162 Capacitor	Not used	Not used	CCSRCH101J50
	C1157, C1158 Capacitor	Not used	Not used	CCSRCH331J50
	C1159 Capacitor	Not used	Not used	CKSRYB104K50
	C1160 Capacitor	Not used	Not used	CEAT100M50
	C1164 Capacitor	Not used	Not used	CKSRYB103K50
	R1005 Resistor	Not used	Not used	RS1/16S750J
	R1151, R1152 Resistor	Not used	Not used	RS1/16S104J
	R1153, R1154 Resistor	Not used	Not used	RS1/16S202J
	R1155, R1156 Resistor	Not used	Not used	RS1/16S103J
F	R1157, R1158 Resistor	Not used	Not used	RS1/16S101J
	R1159, R1160, R1164 Resistor	Not used	Not used	RS1/16S471J
	R1163 Resistor	Not used	Not used	RS1/16S473J
	JA1006 Pin Jack(1p)	AKB7175	Not used	Not used
	1004 Pin Jack(2p)	Not used	Not used	AKB7176
	1005 Pin Jack(2p)	Not used	Not used	AKB7181

I S-VIDEO ASSY

AWX8858, AWX8856 and AWX8857 are constructed the same except for the following:

Mark	Symbol and Description	AWX8858	AWX8856	AWX8857
	Q1351, Q1353 Q1352 D1351 D1601, D1602 D1603-D1606	Not used Not used Not used Not used Not used	Not used Not used Not used UDZS5R1(B) UDZS6R2(B)	2SA1576A(RS) RT1N241M UDZS5R1(B) UDZS5R1(B) UDZS6R2(B)
	L1351 C1352 C1353 C1354 C1355	Not used Not used Not used Not used Not used	Not used Not used Not used Not used Not used	ATL7002 CKSRYB104K16 CKSRYB103K50 CKSRYB102K50 CKSRYB472K50
	C1605 C1605 C1606 R1351, R1352 R1353, R1354	Not used Not used Not used Not used Not used	Not used CEAT470M25 CEAT470M25 Not used Not used	CEAT470M25 Not used CEAT470M25 RS1/16S180J RS1/16S103J
	R1355, R1356 R1601, R1602 R1603, R1604 R1624, R1629, R1630 J1602 Connector Ass'y	Not used Not used Not used Not used Not used	Not used RS1/16S474J RS1/16S331J RS1/16S0R0J PF05PG-Q15	RS1/16S472J RS1/16S474J RS1/16S331J RS1/16S0R0J PF05PG-Q15
	JA1351 Jack JA1601 Socket	Not used Not used	Not used BKP1127	RKN1004 BKP1127

K COMPONENT ASSY

AWX8862 and AWX8860 are constructed the same except for the following:

Mark	Symbol and Description	AWX8862	AWX8860
	C1501, C1502, C1521, C1522 C1541, C1542, C1561, C1562 C1507, C1508, C1527, C1528, C1569 C1570-C1572	CCSRCH101J50 CCSRCH101J50 CCSRCH271J50 CCSRCH271J50	Not used Not used Not used Not used

P FRONT_IN ASSY

AWX8955 and AWX8954 are constructed the same except for the following:

Mark	Symbol and Description	AWX8955	AWX8954
	L2752, L2753 C2673 C2753 C2755 C2756	VTL1169 CKSRYB104K16 CKSRYB104K16 CEAT101M16-TS CKSRYB104K16	Not used CKSRYB104K25 Not used Not used Not used
	C2757 R2751, R2752 JA2751 USB Connector CN2652 Connector	CCSRCH471J50 RS1/16S0R0J XKP3086 B4B-PH-K-S	Not used Not used Not used Not used

Q PRIMARY ASSY

AWX9086 and AWX9085 are constructed the same except for the following:

Mark	Symbol and Description	AWX9086	AWX9085
⚠	T2001	ATT7040	ATT7043
⚠	RY2001	ASR7013	ASR7022
⚠	R2001	Not used	RCN1080
⚠	R2002	RD1/4MUF101J	RD1/4MUF220J
⚠	2001 AC Socket 1-P	Not used	AKP1033

W PS/SP ASSY

AWX9108 and AWX9054 are constructed the same except for the following:

Mark	Symbol and Description	AWX9108	AWX9054
A	C3101, C3102 CN3002 Speaker Terminal 6-p CN3001 Speaker Terminal 8-p	ACH7255 AKE7108 AKE7119	ACH7258 AKE7107 AKE7118

AB IR I/O ASSY

AWX9067, AWX9101 and AWX9066 are constructed the same except for the following:

Mark	Symbol and Description	AWX9067	AWX9101	AWX9066
B	D3702 L3701, L3703 L3702 L3704 C3758	Not used Not used Not used Not used Not used	Not used Not used Not used Not used Not used	1SS355-TRB CTF1473 QTL1013 CTF1385 CKSRYB103K50
	R3701 R3702 R3703, R3755 JA3701 Connector JA3702 Jack	Not used Not used RS1/16S0R0J Not used Not used	Not used Not used Not used Not used Not used	RS1/16S0R0J RS1/16S102J Not used CKS4124 RKN1004

PCB PARTS LIST FOR VSX-1017AV-K/HYXJ5 UNLESS OTHERWISE NOTED

<u>Mark No.</u>	<u>Description</u>	<u>Part No.</u>	<u>Mark No.</u>	<u>Description</u>	<u>Part No.</u>
MAIN ASSY (AWK7980)			R	509 (B,302,110)	RS1/16S331J
MISCELLANEOUS			R	510 (B,302,103)	RS1/16S331J
J	663 JUMPER WIRE	D20PDD0605E	R	511 (B,302,128)	RS1/16S222J
			R	512 (B,302,118)	RS1/16S222J
			R	513 (B,302,142)	RS1/16S331J
			R	514 (B,302,135)	RS1/16S331J
			R	515 (B,302,209)	RS1/16S331J
A AUDIO IN ASSY			R	516 (B,302,202)	RS1/16S331J
MISCELLANEOUS			R	517 (B,302,222)	RS1/16S331J
IC	501 (A,262,69) 8CH E-VOL	R2S15205FP	R	518 (B,302,216)	RS1/16S331J
IC	701 (A,205,68) OP-AMP IC	BA4560RF	R	519 (B,302,155)	RS1/16S222J
IC	702 (A,220,73) OP-AMP IC	BA4560RF	R	520 (B,302,148)	RS1/16S222J
IC	703 (A,220,56) IC	TC4066BFT	R	521 (B,302,168)	RS1/16S331J
IC	741 (A,177,68) OP-AMP IC	BA4560RF	R	522 (B,302,161)	RS1/16S331J
IC	761 (A,191,68) OP-AMP IC	BA4560RF	R	523 (B,302,182)	RS1/16S331J
IC	781 (A,163,68) OP-AMP IC	BA4560RF	R	524 (B,302,176)	RS1/16S331J
IC	801 (A,264,170) OP-AMP IC	UPC4570G2	R	525 (B,302,195)	RS1/16S331J
IC	821 (A,264,139) OP-AMP IC	UPC4570G2	R	526 (B,302,189)	RS1/16S331J
IC	841 (A,264,155) OP-AMP IC	UPC4570G2	R	527 (B,309,56)	RS1/16S474J
IC	861 (A,264,123) OP-AMP IC	UPC4570G2	R	528 (B,309,51)	RS1/16S474J
△ Q	661 (A,136,78) TRANSISTOR	2SD1858X	R	529 (B,309,69)	RS1/16S474J
△ Q	662 (A,136,90) TRANSISTOR	2SB1238X	R	530 (B,309,64)	RS1/16S474J
Q	701 (A,224,50) TRANSISTOR	UMD2N	R	531 (B,309,84)	RS1/16S474J
D	591 (B,231,52) DIODE	DAN217U	R	532 (B,309,79)	RS1/16S474J
△ D	661 (B,39,52) DIODE	1SR154-400	R	533 (B,309,97)	RS1/16S474J
△ D	662 (B,34,52) DIODE	1SR154-400	R	534 (B,309,92)	RS1/16S474J
△ D	663 (B,25,52) DIODE	1SR154-400	R	535 (B,309,110)	RS1/16S474J
△ D	664 (B,30,52) DIODE	1SR154-400	R	536 (B,309,107)	RS1/16S474J
D	669 (B,127,75) DIODE	UDZS7R5(B)	R	537 (B,309,128)	RS1/16S474J
D	670 (B,127,87) DIODE	UDZS7R5(B)	R	538 (B,309,118)	RS1/16S474J
J	662 (A,85,59) 3P HOUSING WIRE ASSY	ADX7509	R	539 (B,309,140)	RS1/16S474J
CN	501 (A,258,24) 19P PLUG	XKP3069	R	540 (B,309,134)	RS1/16S474J
CN	506 (A,180,18) CONNECTOR	CKS3374	R	541 (B,309,210)	RS1/16S474J
CN	509 (A,234,48) 23P PLUG	XKP3071	R	542 (B,309,205)	RS1/16S474J
CN	510 (A,291,24) 13P PLUG	XKP3066	R	543 (B,309,223)	RS1/16S474J
CN	511 (A,131,47) PLUG	CKS1724	R	544 (B,309,218)	RS1/16S474J
CN	514 (A,220,24) 19P PLUG	XKP3069	R	545 (B,309,154)	RS1/16S474J
CN	515 (A,98,48) 19P PLUG	XKP3069	R	546 (B,309,149)	RS1/16S474J
CN	516 (A,39,24) 11P PLUG	XKP3065	R	547 (B,309,167)	RS1/16S474J
CN	520 (A,282,208) 17P SOCKET	XKP3079	R	548 (B,309,162)	RS1/16S474J
CN	521 (A,317,60) PIN JACK(4P)	AKB7172	R	549 (B,309,182)	RS1/16S474J
CN	522 (A,317,88) PIN JACK(4P)	AKB7172	R	550 (B,309,177)	RS1/16S474J
CN	524 (A,317,158) PIN JACK(4P)	AKB7172	R	551 (B,309,195)	RS1/16S474J
CN	525 (A,317,186) PIN JACK(4P)	AKB7172	R	552 (B,309,190)	RS1/16S474J
CN	526 (A,317,214) PIN JACK(4P)	AKB7172	R	561 (A,246,87)	RS1/16S472J
CN	661 (A,26,62) L-PLUG(10P)	KM200NA10L	R	562 (A,244,75)	RS1/16S472J
Y	661 AWG14 BOARD IN	ADX7511	R	563 (A,244,58)	RS1/16S102J
	523 (A,317,123) PIN JACK(6P)	AKB7182	R	564 (A,244,57)	RS1/16S102J
	501 (A,150,71) PCB BINDER	VEF1040	R	565 (B,268,42)	RS1/16S0R0J
	664 (A,46,67) 6P CABLE HOLDER	51048-0600	R	566 (B,275,42)	RS1/16S0R0J
			R	572 (B,234,53)	RS1/16S0R0J
			R	602 (B,224,22)	RS1/16S0R0J
RESISTORS			R	663 (B,133,76)	RS1/16S472J
R	501 (B,303,54)	RS1/16S331J	R	664 (B,133,88)	RS1/16S472J
R	502 (B,302,43)	RS1/16S331J	R	665 (B,133,72)	RS1/16S101J
R	503 (B,302,71)	RS1/16S222J	R	666 (B,133,84)	RS1/16S101J
R	504 (B,302,64)	RS1/16S222J	R	701 (A,203,61)	RS1/16S473J
R	505 (B,302,84)	RS1/16S331J	R	702 (A,208,61)	RS1/16S473J
R	506 (B,302,77)	RS1/16S331J			
R	507 (B,302,97)	RS1/16S331J			
R	508 (B,302,91)	RS1/16S331J			

	<u>Mark No.</u>	<u>Description</u>	<u>Part No.</u>	<u>Mark No.</u>	<u>Description</u>	<u>Part No.</u>
	R 703 (B,204,60)		RS1/16S392J	R 782 (A,166,61)		RS1/16S473J
	R 704 (B,207,60)		RS1/16S392J	R 783 (B,162,60)		RS1/16S332J
	R 705 (B,202,60)		RS1/16S392J	R 784 (B,165,60)		RS1/16S332J
A	R 706 (B,209,60)		RS1/16S392J	R 785 (B,160,60)		RS1/16S332J
	R 707 (B,202,64)		RS1/16S392J	R 786 (B,167,60)		RS1/16S332J
	R 708 (B,209,64)		RS1/16S392J	R 787 (B,160,64)		RS1/16S332J
	R 709 (B,204,64)		RS1/16S392J	R 788 (B,167,64)		RS1/16S332J
	R 710 (B,207,64)		RS1/16S392J	R 789 (B,162,64)		RS1/16S332J
	R 711 (B,204,68)		RS1/16S332J	R 790 (B,165,64)		RS1/16S332J
	R 712 (B,207,68)		RS1/16S332J	R 791 (B,162,68)		RS1/16S182J
	R 713 (B,202,72)		RS1/16S680J	R 792 (B,165,68)		RS1/16S182J
	R 714 (B,209,72)		RS1/16S680J	R 793 (B,160,72)		RS1/16S0R0J
	R 715 (B,204,72)		RS1/16S474J	R 794 (B,167,72)		RS1/16S0R0J
	R 716 (B,207,72)		RS1/16S474J	R 797 (B,158,79)		RS1/16S101J
B	R 719 (B,223,80)		RS1/16S0R0J	R 798 (B,169,79)		RS1/16S101J
	R 720 (B,216,80)		RS1/16S0R0J	R 801 (B,262,165)		RS1/16S223J
	R 721 (B,223,77)		RS1/16S472J	R 802 (B,262,176)		RS1/16S223J
	R 722 (B,216,77)		RS1/16S472J	R 805 (A,266,165)		RS1/16S682J
	R 723 (A,226,70)		RS1/16S472J	R 806 (A,266,175)		RS1/16S682J
	R 724 (A,213,70)		RS1/16S472J	R 807 (A,269,168)		RS1/16S271J
	R 725 (A,226,74)		RS1/16S122J	R 808 (A,269,173)		RS1/16S271J
	R 726 (A,213,74)		RS1/16S122J	R 811 (A,263,165)		RS1/16S153J
	R 727 (B,223,73)		RS1/16S392J	R 812 (A,263,175)		RS1/16S153J
	R 728 (B,216,73)		RS1/16S392J	R 815 (B,262,194)		RS1/16S104J
C	R 731 (B,225,66)		RS1/16S101J	R 816 (B,262,186)		RS1/16S104J
	R 732 (B,214,66)		RS1/16S101J	R 821 (B,262,134)		RS1/16S223J
	R 733 (A,226,48)		RS1/16S473J	R 822 (B,262,144)		RS1/16S223J
	R 741 (A,175,61)		RS1/16S473J	R 825 (A,266,134)		RS1/16S682J
	R 742 (A,180,61)		RS1/16S473J	R 826 (A,266,144)		RS1/16S682J
	R 743 (B,176,60)		RS1/16S332J	R 827 (A,269,137)		RS1/16S271J
	R 744 (B,179,60)		RS1/16S332J	R 828 (A,269,142)		RS1/16S271J
	R 745 (B,174,60)		RS1/16S332J	R 831 (A,263,134)		RS1/16S153J
	R 746 (B,181,60)		RS1/16S682J	R 832 (A,263,144)		RS1/16S153J
	R 747 (B,174,64)		RS1/16S332J	R 835 (B,275,194)		RS1/16S104J
	R 748 (B,181,64)		RS1/16S393J	R 836 (B,275,186)		RS1/16S104J
D	R 749 (B,176,64)		RS1/16S332J	R 841 (B,262,149)		RS1/16S223J
	R 750 (B,179,64)		RS1/16S122J	R 842 (B,262,160)		RS1/16S223J
	R 751 (B,176,68)		RS1/16S182J	R 845 (A,266,150)		RS1/16S682J
	R 752 (B,179,68)		RS1/16S272J	R 846 (A,266,160)		RS1/16S682J
	R 753 (B,174,72)		RS1/16S0R0J	R 847 (A,269,152)		RS1/16S271J
	R 754 (B,181,72)		RS1/16S271J	R 848 (A,269,157)		RS1/16S271J
	R 757 (B,172,79)		RS1/16S101J	R 851 (A,263,150)		RS1/16S153J
	R 758 (B,183,79)		RS1/16S101J	R 852 (A,263,160)		RS1/16S153J
	R 761 (A,189,61)		RS1/16S473J	R 855 (B,269,194)		RS1/16S104J
	R 762 (A,194,61)		RS1/16S473J	R 856 (B,269,186)		RS1/16S104J
	R 763 (B,190,60)		RS1/16S332J	R 861 (B,262,118)		RS1/16S223J
E	R 764 (B,193,60)		RS1/16S332J	R 862 (B,262,129)		RS1/16S223J
	R 765 (B,188,60)		RS1/16S332J	R 865 (A,266,118)		RS1/16S682J
	R 766 (B,195,60)		RS1/16S332J	R 866 (A,266,128)		RS1/16S682J
	R 767 (B,188,64)		RS1/16S332J	R 867 (A,269,121)		RS1/16S271J
	R 768 (B,195,64)		RS1/16S332J	R 868 (A,269,126)		RS1/16S271J
	R 769 (B,190,64)		RS1/16S332J	R 871 (A,263,118)		RS1/16S153J
	R 770 (B,193,64)		RS1/16S332J	R 872 (A,263,128)		RS1/16S153J
	R 771 (B,190,68)		RS1/16S182J	R 875 (B,282,194)		RS1/16S104J
	R 772 (B,193,68)		RS1/16S182J	R 876 (B,282,186)		RS1/16S104J
	R 773 (B,188,72)		RS1/16S0R0J	R 883 (A,253,116)		RS1/16S0R0J
F	R 774 (B,195,72)		RS1/16S0R0J			
	R 777 (B,186,79)		RS1/16S101J			
	R 778 (B,197,79)		RS1/16S101J			
	R 781 (A,161,61)		RS1/16S473J			

CAPACITORS

C 501 (B,307,56)

CCSRCH101J50

5			6			7			8		
<u>Mark No.</u>	<u>Description</u>	<u>Part No.</u>	<u>Mark No.</u>	<u>Description</u>	<u>Part No.</u>	<u>Mark No.</u>	<u>Description</u>	<u>Part No.</u>	<u>Mark No.</u>	<u>Description</u>	<u>Part No.</u>
C 502 (B,307,51)		CCSRCH101J50	C 568 (A,300,201)	ELECT. CAPACITOR	CEAT470M25	C 572 (A,300,148)		CEAT100M50			
C 503 (B,307,69)		CCSRCH221J50	C 569 (A,293,210)	ELECT. CAPACITOR	CEAT470M25	C 573 (A,300,170)	ELECT. CAPACITOR	CEAT470M25			
C 504 (B,307,64)		CCSRCH221J50	C 570 (A,293,201)	ELECT. CAPACITOR	CEAT470M25	C 574 (A,300,161)	ELECT. CAPACITOR	CEAT470M25			
C 505 (B,307,84)		CCSRCH101J50	C 571 (A,300,157)		CEAT100M50	C 575 (A,300,184)	ELECT. CAPACITOR	CEAT470M25			
C 506 (B,307,79)		CCSRCH101J50				C 576 (A,300,175)	ELECT. CAPACITOR	CEAT470M25			
C 507 (B,307,97)		CCSRCH101J50									
C 508 (B,307,92)		CCSRCH101J50									
C 509 (B,307,110)		CCSRCH101J50									
C 510 (B,307,107)		CCSRCH101J50									
C 511 (B,307,128)		CCSRCH221J50	C 577 (A,300,197)	ELECT. CAPACITOR	CEAT470M25						
C 512 (B,307,118)		CCSRCH221J50	C 578 (A,300,188)	ELECT. CAPACITOR	CEAT470M25						
C 513 (B,307,140)		CCSRCH101J50	C 579 (A,270,87)		CEAT101M16						
C 514 (B,307,134)		CCSRCH101J50	C 580 (A,268,95)		CEAT101M16						
C 515 (B,307,210)		CCSRCH101J50	C 581 (A,264,87)		CEAT101M16						
C 516 (B,307,205)		CCSRCH101J50	C 582 (A,262,95)		CEAT101M16						
C 517 (B,307,223)		CCSRCH101J50	C 583 (A,258,87)		CEAT101M16						
C 518 (B,307,218)		CCSRCH101J50	C 584 (A,256,95)		CEAT101M16						
C 519 (B,307,154)		CCSRCH221J50	C 585 (A,252,87)		CEAT101M16						
C 520 (B,307,149)		CCSRCH221J50	C 586 (A,250,95)		CEAT101M16						
C 521 (B,307,167)		CCSRCH101J50	C 587 (A,247,84)		CKSRBY473K50						
C 522 (B,307,162)		CCSRCH101J50	C 588 (A,246,84)		CKSRBY154K10						
C 523 (B,307,182)		CCSRCH101J50	C 589 (A,244,84)		CKSRBY223K50						
C 524 (B,307,177)		CCSRCH101J50	C 590 (A,247,76)		CKSRBY473K50						
C 525 (B,307,195)		CCSRCH101J50	C 591 (A,247,74)		CKSRBY154K10						
C 526 (B,307,190)		CCSRCH101J50	C 592 (A,244,73)		CKSRBY223K50						
C 527 (B,297,49)		CCSRCH151J50	C 593 (A,248,59)		CCSRCH101J50						
C 528 (B,298,44)		CCSRCH151J50	C 594 (A,247,59)		CCSRCH101J50						
C 531 (B,297,83)		CCSRCH151J50	C 595 (A,247,79)		CKSRBY103K50						
C 532 (B,298,79)		CCSRCH151J50	C 596 (A,247,78)		CKSRBY103K50						
C 533 (B,297,96)		CCSRCH151J50	C 599 (A,269,35)		CEJQ100M25						
C 534 (B,298,92)		CCSRCH151J50	C 600 (A,274,35)		CEJQ100M25						
C 535 (B,297,109)		CCSRCH151J50	C 641 (B,309,114)		CKSRBY103K50						
C 536 (B,297,105)		CCSRCH151J50	C 642 (B,309,88)		CKSRBY103K50						
C 539 (B,297,141)		CCSRCH151J50	C 643 (B,309,214)		CKSRBY103K50						
C 540 (B,298,137)		CCSRCH151J50	C 644 (B,309,158)		CKSRBY103K50						
C 541 (B,297,209)		CCSRCH101J50	C 645 (B,309,186)		CKSRBY103K50						
C 542 (B,298,203)		CCSRCH101J50	C 661 (A,50,48)	ELECT. CAPACITOR	CEAT222M25						
C 543 (B,300,222)		CCSRCH101J50	C 662 (A,64,48)	ELECT. CAPACITOR	CEAT222M25						
C 544 (B,300,216)		CCSRCH101J50	C 673 (A,130,76)		CEAT2R2M50						
C 547 (B,297,167)		CCSRCH151J50	C 674 (A,130,86)		CEAT2R2M50						
C 548 (B,298,163)		CCSRCH151J50	C 675 (A,143,76)		CEAT100M50						
C 549 (B,297,182)		CCSRCH101J50	C 676 (A,143,86)		CEAT100M50						
C 550 (B,298,177)		CCSRCH101J50	C 701 (A,202,53)		CEAT2R2M50						
C 551 (B,297,194)		CCSRCH101J50	C 702 (A,208,53)		CEAT2R2M50						
C 552 (B,297,190)		CCSRCH101J50	C 703 (A,203,62)		CCSRCH471J50						
C 553 (A,300,51)	ELECT. CAPACITOR	CEAT470M25	C 704 (A,208,62)		CCSRCH471J50						
C 554 (A,300,42)	ELECT. CAPACITOR	CEAT470M25	C 705 (A,203,64)		CCSRCH331J50						
C 555 (A,300,73)		CEAT100M50	C 706 (A,208,64)		CCSRCH331J50						
C 556 (A,300,64)		CEAT100M50	C 707 (B,202,68)		CCSRCH331J50						
C 557 (A,300,86)	ELECT. CAPACITOR	CEAT470M25	C 708 (B,209,68)		CCSRCH331J50						
C 558 (A,300,77)	ELECT. CAPACITOR	CEAT470M25	C 709 (A,202,76)		CEAT100M50						
C 559 (A,300,99)	ELECT. CAPACITOR	CEAT470M25	C 710 (A,209,76)		CEAT100M50						
C 560 (A,300,90)	ELECT. CAPACITOR	CEAT470M25	C 713 (A,223,69)		CEAT100M50						
C 561 (A,300,112)	ELECT. CAPACITOR	CEAT470M25	C 714 (A,216,69)		CEAT100M50						
C 562 (A,300,103)	ELECT. CAPACITOR	CEAT470M25	C 717 (A,208,72)		CKSRBY103K50						
C 563 (A,300,131)		CEAT100M50	C 718 (A,203,72)		CKSRBY103K50						
C 564 (A,300,120)		CEAT100M50	C 719 (A,217,77)		CKSRBY104K50						
C 565 (A,300,144)	ELECT. CAPACITOR	CEAT470M25	C 720 (A,222,77)		CKSRBY104K50						
C 566 (A,300,135)	ELECT. CAPACITOR	CEAT470M25	C 721 (A,224,53)		CKSRBY103K50						
C 567 (A,300,210)	ELECT. CAPACITOR	CEAT470M25	C 722 (A,215,56)		CKSRBY103K50						

Mark No. Description**Part No.****Mark No. Description****Part No.**

C 741 (A,174,53) CEAT2R2M50
 C 742 (A,180,53) CEAT2R2M50
 C 743 (A,175,62) CCSRCH101J50
 A C 744 (A,180,62) CKSRYB223K50

C 745 (A,175,64) CCSRCH331J50
 C 746 (A,180,64) CKSRYB103K50
 C 747 (B,174,68) CCSRCH331J50
 C 748 (B,181,68) CKSRYB562K50
 C 749 (A,174,76) CEAT100M50

C 750 (A,181,76) CEAT100M50
 C 751 (B,176,79) CKSRYB472K50
 C 752 (B,179,79) CKSRYB472K50
 C 753 (A,180,72) CKSRYB103K50
 C 754 (A,175,72) CKSRYB103K50

C 761 (A,188,53) CEAT2R2M50
 C 762 (A,194,53) CEAT2R2M50
 C 763 (A,189,62) CCSRCH101J50
 C 764 (A,194,62) CCSRCH101J50
 C 765 (A,189,64) CCSRCH331J50

C 766 (A,194,64) CCSRCH331J50
 C 767 (B,188,68) CCSRCH331J50
 C 768 (B,195,68) CCSRCH331J50
 C 769 (A,188,76) CEAT100M50
 C 770 (A,195,76) CEAT100M50

C 771 (B,190,79) CKSRYB472K50
 C 772 (B,193,79) CKSRYB472K50
 C 773 (A,194,72) CKSRYB103K50
 C 774 (A,189,72) CKSRYB103K50
 C 781 (A,160,53) CEAT2R2M50

C 782 (A,166,53) CEAT2R2M50
 C 783 (A,161,62) CCSRCH101J50
 C 784 (A,166,62) CCSRCH101J50
 C 785 (A,161,64) CCSRCH331J50
 C 786 (A,166,64) CCSRCH331J50

C 787 (B,160,68) CCSRCH331J50
 C 788 (B,167,68) CCSRCH331J50
 C 789 (A,160,76) CEAT100M50
 C 790 (A,167,76) CEAT100M50
 C 791 (B,162,79) CKSRYB472K50

C 792 (B,165,79) CKSRYB472K50
 C 793 (A,166,72) CKSRYB103K50
 C 794 (A,161,72) CKSRYB103K50
 C 801 (A,253,108) CEAT4R7M50
 C 802 (A,253,101) CEAT4R7M50

C 805 (A,263,164) CCSRCH101J50
 C 806 (A,263,176) CCSRCH101J50
 E C 807 (A,260,192) ELECT. CAPACITOR CEAT470M25
 C 808 (A,260,185) ELECT. CAPACITOR CEAT470M25
 C 809 (A,260,168) CKSRYB103K50

C 810 (A,260,173) CKSRYB103K50
 C 821 (A,265,108) CEAT4R7M50
 C 822 (A,265,101) CEAT4R7M50
 C 825 (A,263,133) CCSRCH101J50
 C 826 (A,263,145) CCSRCH101J50

C 827 (A,273,192) ELECT. CAPACITOR CEAT470M25
 C 828 (A,273,185) ELECT. CAPACITOR CEAT470M25
 F C 829 (A,260,137) CKSRYB103K50
 C 830 (A,260,142) CKSRYB103K50
 C 841 (A,259,108) CEAT4R7M50

C 842 (A,259,101) CEAT4R7M50

C 845 (A,263,148) CCSRCH101J50
 C 846 (A,263,161) CCSRCH101J50
 C 847 (A,266,192) ELECT. CAPACITOR CEAT470M25
 C 848 (A,266,185) ELECT. CAPACITOR CEAT470M25

C 849 (A,260,152) CKSRYB103K50
 C 850 (A,260,157) CKSRYB103K50
 C 861 (A,271,108) CEAT4R7M50
 C 862 (A,271,101) CEAT4R7M50
 C 865 (A,263,117) CCSRCH101J50

C 866 (A,263,129) CCSRCH101J50
 C 867 (A,279,192) ELECT. CAPACITOR CEAT470M25
 C 868 (A,279,185) ELECT. CAPACITOR CEAT470M25
 C 869 (A,260,121) CKSRYB103K50
 C 870 (A,260,126) CKSRYB103K50

B 12V-REG ASSY**MISCELLANEOUS**

⚠ IC 661 (A,12,90) REGULATOR IC NJM78M12FA
 ⚠ IC 662 (A,39,90) REGULATOR IC NJM79M12FA
 D 665 (B,28,90) CHIP DIODE RB501V-40
 D 666 (B,56,88) CHIP DIODE RB501V-40
 663 (A,46,77) 6P CABLE HOLDER 51048-0600

CAPACITORS

C 667 (B,11,86) CKSRYB103K50
 C 668 (B,39,86) CKSRYB103K50
 C 669 (A,25,92) CEAT221M25
 C 670 (A,52,92) CEAT221M25

C MAIN CONTROL ASSY**MISCELLANEOUS**

IC 101 (A,160,173) CPU PEG379A8
 IC 102 (A,127,155) EEPROM BR24L16FV-W
 IC 105 (A,113,150) PORT EXPANDER IC BU4094BCFV
 IC 106 (A,113,160) PORT EXPANDER IC BU4094BCFV
 IC 107 (A,152,150) RESET IC BU4842F
 IC 109 (A,135,138) IC TC74VHCT125AFTS1
 IC 110 (B,129,132) IC TC7SH08FUS1
 IC 251 (A,141,199) RDS DECODER IC LC72725KM
 Q 101 (B,174,203) DIGITAL TR(SC-70) RT1N431M
 Q 102 (B,179,205) TRANSISTOR 2SA1576A
 Q 104 (B,177,199) DIGITAL TR(SC-70) RT1P241M
 Q 105 (B,180,199) DIGITAL TR(SC-70) RT1P241M
 Q 106 (B,176,192) DIGITAL TR(SC-70) RT1P241M
 Q 107 (B,183,205) TRANSISTOR DTA124TK
 Q 108 (B,179,192) DIGITAL TR(SC-70) RT1P241M
 Q 109 (B,181,169) DIGITAL TR(SC-70) RT1P241M
 Q 110 (B,187,167) TRANSISTOR UMD2N
 Q 114 (B,154,193) CHIP TR (PNP X 2) UMB1N
 Q 115 (B,168,187) CHIP TR (PNP X 2) UMB1N
 Q 116 (B,173,187) CHIP TR (PNP X 2) UMB1N
 Q 117 (B,134,134) TRANSISTOR RT1N241M
 Q 118 (B,136,129) TRANSISTOR 2SC4081
 D 101 (B,208,170) DIODE 1SS355
 D 102 (B,205,168) DIODE DAN202U
 D 103 (B,208,147) DIODE DAN202U
 D 106 (A,116,131) DIODE 1SS355
 D 108 (A,183,176) DIODE DAP202U
 D 109 (A,188,168) DIODE DAN217U

5			6			7			8		
Mark No.	Description	Part No.	Mark No.	Description	Part No.	Mark No.	Description	Part No.	Mark No.	Description	Part No.
D 110 (A,185,180)	DIODE	DAP202U	R 114 (A,156,157)		RS1/16SOR0J						
D 111 (A,179,198)	DIODE	DAN202U	R 115 (A,163,157)		RS1/16S104J						
D 112 (A,179,190)	DIODE	DAN202U	R 116 (A,167,158)		RS1/16S471J						
D 116 (B,174,158)	DIODE	1SS355	R 117 (A,171,152)		RS1/16S104J						A
D 117 (B,174,153)	DIODE	1SS355	R 118 (A,169,158)		RS1/16S471J						
D 118 (B,159,182)	DIODE	1SS355	R 119 (A,170,158)		RS1/16S471J						
D 119 (B,138,169)	DIODE	UDZS5R1(B)	R 120 (A,172,158)		RS1/16S471J						
D 291 (A,29,141)	DIODE	1SS355	R 123 (A,143,159)		RS1/16S101J						
L 101 (B,203,204)	CHIP SOLID INDUCTOR	ATL7002	R 124 (A,143,165)		RS1/16S101J						
L 102 (B,216,135)	CHIP SOLID INDUCTOR	ATL7002	R 125 (A,145,159)		RS1/16S101J						
L 103 (B,205,154)	CHIP SOLID INDUCTOR	ATL7002	R 128 (A,176,176)		RS1/16SOR0J						
L 281 (B,29,204)	CHIP SOLID INDUCTOR	QTL1013	R 129 (A,180,177)		RS1/16S105J						
L 282 (B,66,159)	CHIP SOLID INDUCTOR	QTL1013	R 130 (A,182,179)		RS1/16S103J						
L 291 (B,15,135)	CHIP SOLID INDUCTOR	QTL1013	R 131 (A,179,177)		RS1/16S105J						
L 292 (B,21,137)	CHIP SOLID INDUCTOR	QTL1013	R 132 (A,176,182)		RS1/16S105J						B
L 293 (B,22,118)	CHIP SOLID INDUCTOR	QTL1013	R 133 (A,176,174)		RS1/16S104J						
L 294 (B,18,118)	CHIP SOLID INDUCTOR	QTL1013	R 134 (A,176,178)		RS1/16S104J						
L 295 (B,24,148)	CHIP SOLID INDUCTOR	QTL1013	R 135 (A,173,187)		RS1/16SOR0J						
JA 281 (A,17,170)	OPT. LINK IN	AKS7001	R 136 (A,171,187)		RS1/16SOR0J						
JA 282 (A,17,183)	OPT. LINK IN	AKS7001	R 137 (A,169,187)		RS1/16SOR0J						
JA 283 (A,17,197)	OPT. LINK IN	AKS7001	R 138 (A,167,187)		RS1/16SOR0J						
JA 284 (A,17,210)	OPT. LINK OUT	AKS7002	R 142 (A,141,180)		RS1/16SOR0J						
JA 291 (A,9,131)	MINI JACK(4P) /W SW	XKN3015	R 143 (A,142,178)		RS1/16SOR0J						
JA 292 (A,11,143)	JACK REMOCON	RKN1004	R 144 (A,141,177)		RS1/16SOR0J						
KN281 (A,13,153)	SCREW PLATE	VNE1948	R 145 (A,141,175)		RS1/16SOR0J						C
X 101 (A,159,157)	CERAMIC RESONATOR	XSS3004	R 146 (A,145,169)		RS1/16S473J						
X 251 (A,138,207)	CRYSTAL RESONATOR	ASS7004	R 147 (A,152,153)		RS1/16S104J						
CN101 (A,208,215)	CONNECTOR	CKS3394	R 148 (B,176,205)		RS1/16S222J						
CN102 (A,223,129)	9P JUMPER CONNECTOR	52147-0910	R 149 (B,179,210)		RS1/16S222J						
CN103 (A,197,187)	CONNECTOR	CKS3384	R 150 (A,127,162)		RS1/16S471J						
CN104 (A,60,177)	11P PLUG	XKP3065	R 151 (A,129,162)		RS1/16S471J						
CN105 (A,140,150)	CONNECTOR	CKS3375	R 152 (A,127,165)		RS1/16S103J						
CN106 (A,94,212)	23P SOCKET	XKP3082	R 153 (A,129,165)		RS1/16S472J						
CN107 (A,31,177)	13P PLUG	XKP3066	R 155 (B,145,136)		RS1/16S182J						
CN108 (A,29,153)	13P PLUG	XKP3066	R 156 (A,120,132)		RS1/16S101J						
CN109 (A,53,153)	15P PLUG	XKP3067	R 157 (A,141,139)		RS1/16S101J						D
CN110 (A,56,130)	11P PLUG	XKP3065	R 162 (B,166,201)		RS1/16S470J						
CN111 (A,29,130)	13P PLUG	XKP3066	R 170 (B,155,182)		RS1/16S105J						
CN112 (A,64,102)	23P SOCKET	XKP3082	R 172 (B,131,170)		RS1/16S223J						
CN113 (A,100,180)	CONNECTOR	CKS3382	R 174 (A,218,202)		RS1/16S331J						
CN281 (A,33,209)	23P PLUG	XKP3071	R 175 (A,220,202)		RS1/16S331J						
CN301 (A,170,98)	PLUG	CKS1758	R 176 (A,218,196)		RS1/16S471J						
CN302 (A,199,102)	19P SOCKET	XKP3080	R 181 (B,183,109)		RS1/16SOR0J						
CN306 (A,110,212)	9P SOCKET	XKP3075	R 183 (B,185,109)		RS1/16SOR0J						
102 (A,219,163)	PCB BINDER	VEF1040	R 184 (B,186,113)		RS1/16SOR0J						
101 (A,218,171)	PCB BINDER	VEF1040	R 185 (B,188,109)		RS1/16SOR0J						
			R 186 (B,189,113)		RS1/16SOR0J						E
			R 187 (B,190,109)		RS1/16SOR0J						
			R 188 (B,191,113)		RS1/16S221J						
			R 190 (B,194,113)		RS1/16S221J						
			R 191 (B,202,114)		RS1/16SOR0J						
			R 192 (B,201,109)		RS1/16S221J						
			R 193 (B,199,114)		RS1/16SOR0J						
			R 194 (B,180,109)		RS1/16SOR0J						
			R 195 (B,171,113)		RS1/16SOR0J						
			R 197 (B,96,108)		RS1/16SOR0J						
			R 198 (B,98,108)		RS1/16SOR0J						
			R 199 (B,203,198)	CHIP RESISTOR	RS1/16S2R7J						F
			R 200 (B,121,173)		RS1/16S473J						
			R 201 (A,123,147)		RS1/16S473J						

RESISTORS

Mark No. Description**Part No.****Mark No. Description****Part No.**

R 202 (A,123,149)
R 203 (B,199,148)
R 204 (A,123,152)
R 205 (A,104,156)

RS1/16S473J
RS1/16S473J
RS1/16S473J
RS1/16S473J

C 131 (A,110,164)
C 251 (A,140,191)
C 253 (B,148,194)
C 254 (A,151,213)

CCSRCH561J50
CEAT100M50
CCSRCH561J50
CEAT101M10

R 206 (A,104,158)
R 207 (A,104,159)
R 208 (A,104,161)
R 209 (A,120,159)
R 221 (A,174,197)

RS1/16S473J
RS1/16S473J
RS1/16S473J
RS1/16S473J
RS1/16S222J

C 255 (A,148,200)
C 256 (B,146,207)
C 257 (B,135,207)
C 260 (A,135,194)
C 281 (B,21,174)

CKSRYP102K50
CCSRCH270J50
CCSRCH270J50
CKSRYP472K50
CKSRYP104K16

R 222 (A,174,198)
R 224 (A,107,153)
R 225 (A,107,164)
R 251 (A,148,203)
R 252 (A,133,200)

RS1/16S472J
RS1/16S561J
RS1/16S561J
RS1/16S473J
RS1/16S102J

C 282 (B,21,188)
C 283 (B,21,202)
C 284 (B,21,211)
C 285 (A,29,215)
C 294 (B,26,162)

CKSRYP104K16
CKSRYP104K16
CKSRYP104K16
CEAT101M10
CKSRYP104K16

R 253 (A,133,194)
R 254 (A,133,197)
R 255 (B,152,209)
R 256 (B,49,200)
R 257 (B,51,200)

RS1/16S102J
RS1/16S102J
RS1/16S0R0J
RS1/16S471J
RS1/16S471J

C 298 (A,132,143)
C 299 (B,133,129)
C 300 (B,144,129)

CKSRYP104K16
CKSRYP104K16
CKSRYP224K16

R 258 (B,53,200)
R 259 (B,55,200)
R 281 (B,21,168)
R 282 (B,21,184)
R 283 (B,21,198)

RS1/16S471J
RS1/16S471J
RS1/16S101J
RS1/16S101J
RS1/16S101J

D GUARD-C ASSY

GUARD-C Assy has no service part.

E GUARD-F ASSY**MISCELLANEOUS**

921 (A,245,238) PCB BINDER

VEF1040

F GUARD-R ASSY**MISCELLANEOUS**

923 (A,38,240) PCB BINDER

VEF1040

G DSP ASSY**MISCELLANEOUS**

IC 551 (A,84,42) IC TC74VHC157FTS1
IC 601 (A,109,36) DA I/F TRANSCEIVER AK4114VQ
IC 651 (A,86,56) LIPSYNC IC ML87V5002
IC 701 (A,77,29) CODEC IC AK4628AVQ
IC 801 (A,37,39) DSP IC DSPC56371AF180

IC 802 (A,33,26) IC TC7WU04FU
IC 851 (A,50,17) FLASH ROM IC PDC165A8
IC 871 (B,65,43) IC TC7WH125FU
⚠ IC 901 (B,114,24) REGURATOR IC PQ1LAX95MSPQ
⚠ IC 902 (A,99,24) REGURATOR IC PQ1LAX95MSPQ

IC 952 (A,16,32) IC TC74VHCT541AFTS1
Q 801 (B,33,29) TRANSISTOR RT1N241M
D 701 (A,81,19) DIODE MA152WA
D 702 (B,82,18) DIODE MA152WK
D 901 (B,107,21) DIODE UDZS5R6(B)

D 902 (B,102,20) DIODE UDZS5R6(B)
L 401 (A,121,43) CHIP SOLID INDUCTOR QTL1013
L 551 (A,90,45) CHIP SOLID INDUCTOR QTL1013
L 601 (B,103,41) CHIP SOLID INDUCTOR QTL1013
L 602 (A,100,36) CHIP SOLID INDUCTOR QTL1013

L 651 (A,71,50) CHIP SOLID INDUCTOR QTL1013
L 701 (B,68,30) CHIP SOLID INDUCTOR QTL1013
L 702 (A,93,22) CHIP SOLID INDUCTOR QTL1013
L 801 (A,37,25) CHIP SOLID INDUCTOR QTL1013
L 802 (A,42,29) CHIP SOLID INDUCTOR ATL7002

CAPACITORS

C 101 (B,207,158)
C 103 (B,202,159)
C 104 (A,166,147)
C 105 (A,160,160)
C 107 (A,157,160)

CKSRYP103K50
CKSRYP103K50
CEAT331M10
CKSRYP104K16
CKSRYP105K16

C 110 (A,164,157)
C 112 (A,124,156)
C 113 (A,167,205) ELECT. CAPACITOR
C 117 (B,172,154)
C 118 (B,157,182)

CKSRYP102K50
CKSRYP103K50
CEAT102M6R3
CKSRYP473K25
CKSRYP473K25

C 119 (A,135,168)
C 120 (A,150,151)
C 122 (A,113,155)
C 123 (A,113,165)
C 125 (A,205,157)

CEAT100M50
CKSRYP105K16
CKSRYP104K16
CKSRYP104K16
CEAT101M10

C 130 (A,108,153)

CCSRCH561J50

Mark No.	Description	Part No.
L 803 (A,51,42)	CHIP SOLID INDUCTOR	ATL7002
L 804 (B,29,34)	CHIP SOLID INDUCTOR	QTL1013
L 851 (A,46,21)	CHIP SOLID INDUCTOR	QTL1013
L 871 (B,69,45)	CHIP SOLID INDUCTOR	QTL1013
L 901 (B,105,18)	CHIP SOLID INDUCTOR	ATL7002
L 902 (B,100,18)	CHIP SOLID INDUCTOR	ATL7002
L 952 (A,21,28)	CHIP SOLID INDUCTOR	QTL1013
JA 501 (A,142,22)	PIN JACK (2P)	AKB7131
X 801 (A,23,22)	CRYSTAL RESONATOR	XSS3003
CN601 (A,107,50)	10P CONNECTOR	VKN1241
CN701 (A,83,14)	19P SOCKET	XKP3080
CN901 (A,116,14)	13P SOCKET	XKP3077
CN952 (A,45,14)	19P SOCKET	XKP3080

RESISTORS

R 501 (B,131,16)	RS1/16S750J
R 502 (B,134,30)	RS1/16S750J
R 516 (B,114,36)	RS1/16S100J
R 517 (B,130,30)	RS1/16S100J
R 562 (A,89,39)	RS1/16S470J
R 564 (A,90,41)	RS1/16S470J
R 565 (B,87,41)	RS1/16S101J
R 568 (A,78,42)	RS1/16SS101J
R 569 (B,78,40)	RS1/16S470J
R 571 (A,78,39)	RS1/16SS470J
R 576 (A,78,44)	RS1/16SS0R0J
R 604 (B,114,46)	RS1/16S104J
R 605 (B,112,46)	RS1/16S104J
R 606 (B,110,46)	RS1/16S104J
R 612 (A,117,33)	RS1/16S0R0J
R 614 (A,102,38)	RS1/16SS101J
R 615 (A,104,30)	RS1/16SS470J
R 616 (A,102,34)	RS1/16SS101J
R 617 (B,105,31)	RS1/16S101J
R 618 (B,107,31)	RS1/16S101J
R 620 (A,106,30)	RS1/16SS470J
R 621 (B,108,36)	RS1/16S220J
R 624 (A,112,28)	RESISTOR ARRAY RAB4CQ101J
R 627 (B,112,32)	RS1/16S103J
R 628 (A,117,38)	RS1/16S1802F
R 651 (A,89,51)	RS1/16SS470J
R 652 (A,99,55)	RS1/16SS470J
R 653 (A,98,55)	RS1/16SS470J
R 654 (A,97,55)	RS1/16SS470J
R 655 (A,76,59)	RS1/16SS101J
R 656 (A,76,58)	RS1/16SS101J
R 657 (A,76,57)	RS1/16SS101J
R 658 (A,76,55)	RS1/16SS101J
R 659 (B,82,56)	RS1/16S103J
R 662 (A,76,54)	RS1/16SS470J
R 663 (A,76,53)	RS1/16SS470J
R 664 (A,76,52)	RS1/16SS470J
R 701 (B,78,35)	RS1/16S470J
R 702 (B,75,35)	RS1/16S101J
R 704 (B,70,27)	RS1/16S4R7J
R 705 (A,60,18)	RS1/16SS101J
R 706 (A,63,18)	RS1/16SS101J
R 707 (A,65,18)	RS1/16SS101J
R 708 (A,68,18)	RS1/16SS101J

Mark No.	Description	Part No.
R 709 (A,70,18)		RS1/16SS101J
R 710 (A,73,18)		RS1/16SS101J
R 711 (A,75,18)		RS1/16SS101J
R 712 (A,78,18)		RS1/16SS101J
R 713 (A,86,30)		RS1/16S470J
R 714 (A,85,36)	RESISTOR ARRAY	RAB4CQ101J
R 801 (A,48,48)		RS1/16SS470J
R 802 (A,40,50)	RESISTOR ARRAY	RAB4CQ101J
R 803 (B,44,48)		RS1/16S103J
R 804 (B,42,48)		RS1/16S103J
R 805 (B,39,42)		RS1/16S103J
R 806 (B,37,42)		RS1/16S103J
R 807 (B,35,42)		RS1/16S473J
R 810 (A,26,39)		RS1/16SS473J
R 811 (A,24,37)		RS1/16SS472J
R 812 (B,27,43)		RS1/16S101J
R 813 (A,24,34)		RS1/16SS103J
R 815 (A,25,26)		RS1/16SS105J
R 816 (A,23,26)		RS1/16SS471J
R 817 (A,34,28)		RS1/16SS101J
R 818 (B,35,23)		RS1/16S220J
R 819 (B,26,29)		RS1/16S101J
R 821 (B,31,29)		RS1/16SOR0J
R 822 (B,36,30)		RS1/16S103J
R 823 (B,36,36)		RS1/16S473J
R 827 (B,48,38)		RS1/16S470J
R 828 (B,41,27)		RS1/16S470J
R 829 (B,44,33)		RS1/16S470J
R 830 (B,46,33)		RS1/16S470J
R 831 (B,42,31)		RS1/16S470J
R 832 (A,47,41)		RS1/16SS470J
R 833 (A,48,45)	RESISTOR ARRAY	RAB4CQ470J
R 840 (A,24,33)		RS1/16SS101J
R 841 (A,67,38)		RS1/16S473J
R 851 (A,44,28)		RS1/16SS470J
R 852 (B,43,27)		RS1/16S222J
R 853 (B,48,14)		RS1/16S103J
R 855 (B,41,21)		RS1/16S103J
R 856 (A,54,18)		RS1/16SS103J
R 857 (B,45,27)		RS1/16S103J
R 871 (B,59,36)		RS1/16S470J
R 872 (B,61,36)		RS1/16S470J
R 873 (B,61,44)		RS1/16S470J
R 874 (B,59,44)		RS1/16S470J
R 905 (B,118,17)		RS1/16S104J
R 906 (B,120,15)		RS1/16S104J
R 908 (A,123,13)		RS1/16SS0R0J
R 919 (A,113,20)		RS1/16S1202F
R 920 (A,115,20)		RS1/16S2002F
R 921 (A,101,20)		RS1/16S1202F
R 922 (A,98,20)	CHIP RESISTOR	RS1/16S1000F
R 951 (B,25,33)		RS1/16S101J
R 952 (B,23,33)		RS1/16S101J
R 953 (B,21,33)		RS1/16S101J
R 954 (A,17,26)	RESISTOR ARRAY	RAB4CQ101J
R 955 (A,14,26)	RESISTOR ARRAY	RAB4CQ101J
R 962 (A,32,18)	RESISTOR ARRAY	RAB4CQ104J
R 970 (A,37,18)	RESISTOR ARRAY	RAB4CQ104J
R 975 (A,19,14)		RS1/16SS104J
R 981 (A,14,38)		RS1/16SS0R0J

Mark No. Description**Part No.****Mark No. Description****Part No.**

R 982 (A,15,38)

RS1/16SS0R0J

C 825 (B,32,39)

CKSRYB103K50

C 826 (A,38,29)

CKSSYB471K50

C 827 (A,38,28)

CKSSYB104K10

C 829 (A,47,36)

CKSSYB104K10

A CAPACITORS

C 401 (A,126,41)

GEVW470M6R3

C 503 (B,127,16)

CKSRYB103K50

C 504 (B,132,30)

CKSRYB103K50

C 551 (A,84,46)

CKSSYB104K10

C 606 (A,102,40)

CKSRYB104K16

C 607 (A,96,39)

GEVW470M6R3

C 608 (A,101,36)

CCSRCH471J50

C 609 (A,102,36)

CKSRYB104K16

C 614 (B,110,32)

CKSRYB104K16

C 617 (B,114,32)

CKSRYB102K50

B C 618 (A,117,28)

GEVW470M6R3

C 619 (A,118,35)

CKSSYB104K10

C 620 (A,116,35)

CCSRCH471J50

C 621 (A,116,38)

CKSRYB474K10

C 651 (A,71,56)

CEVW100M16

C 653 (A,95,57)

CKSSYB104K10

C 655 (A,81,50)

CKSSYB104K10

C 657 (A,79,61)

CKSSYB104K10

C 658 (B,80,56)

CKSRYB104K16

C 701 (A,67,32)

CKSSYB103K16

C C 703 (A,64,23)

GEVW101M16

C 704 (A,67,29)

CKSRYB104K16

C 705 (A,68,30)

CCSSCH101J50

C 706 (B,66,26)

CKSRYB104K16

C 707 (B,60,19)

CKSRYB471K50

C 708 (B,63,19)

CKSRYB471K50

C 709 (B,65,19)

CKSRYB471K50

C 710 (B,68,19)

CKSRYB471K50

C 711 (B,70,19)

CKSRYB471K50

C 712 (B,73,19)

CKSRYB471K50

D C 713 (B,75,19)

CKSRYB471K50

C 714 (B,78,19)

CKSRYB471K50

C 715 (A,90,29)

CEVW101M16

C 716 (A,86,27)

CKSRYB104K16

C 717 (A,85,27)

CKSSYB471K50

C 718 (A,87,20)

GEVW470M6R3

C 720 (A,85,24)

CKSSYB104K10

C 763 (B,53,36)

CKSRYB471K50

C 764 (B,55,36)

CKSRYB104K16

C 802 (A,42,50)

CKSSYB104K10

C 803 (A,37,49)

CKSSYB471K50

C 804 (A,37,50)

CKSSYB104K10

C 806 (A,31,50)

CKSSYB104K10

C 808 (A,26,43)

CKSSYB104K10

C 809 (A,27,41)

CKSSYB471K50

C 810 (A,26,41)

CKSSYB104K10

C 814 (A,27,33)

CKSSYB471K50

C 815 (A,25,33)

CKSSYB104K10

C 816 (A,21,26)

CCSSCH5R0C50

C 817 (A,27,26)

CCSSCH5R0C50

C 818 (A,35,23)

CCSRCH471J50

C 819 (A,35,22)

CKSSYB104K10

C 821 (A,30,30)

CKSSYB471K50

C 822 (A,30,29)

CKSSYB104K10

C 823 (A,32,30)

CKSSYB471K50

F C 824 (A,32,28)

CKSSYB104K10

C 830 (A,47,39)

CKSSYB471K50

C 831 (A,48,39)

CKSSYB104K10

C 833 (A,48,43)

CKSSYB104K10

C 834 (A,41,23)

CEVW101M16

C 835 (A,57,42) CHIP ELECT.CAPACITOR

CEVW101M4

C 852 (A,45,18)

CKSSYB104K10

C 872 (B,70,41)

CKSRYB104K16

C 907 (B,110,23)

CKSRYB105K16

C 908 (A,115,22)

CKSRYB105K16

C 909 (B,97,26)

CKSRYB105K16

C 910 (B,97,22)

CKSRYB105K16

C 911 (A,108,22)

CEVW101M16

C 916 (B,69,34)

CKSRYB471K50

C 917 (B,71,34)

CKSRYB103K50

C 918 (B,81,36)

CKSRYB104K16

C 919 (B,82,36)

CKSRYB471K50

C 955 (A,22,31)

CKSRYB104K16

**H COMPOSITE ASSY
MISCELLANEOUS**

IC 1001(A,74,199) LOGIC IC

TC74HC4051AFT

IC 1003(A,92,208) IC

TC74HC4053AFT

IC 1004(A,112,209) VIDEO AMP IC

LA7109

IC 1005(B,56,197) PORT EXPANDER

BU4094BCF

IC 1006(A,36,184) CHARACTER GENERATOR

PDC162A

IC 1101(A,159,189) OP-AMP IC

UPC4570G2

Q 1002(A,171,176) TRANSISTOR

2SC4081

Q 1003(B,27,193) TRANSISTOR

2SC4081

Q 1004(B,179,188) TRANSISTOR

2SC4081

Q 1102(A,173,207) DIGITAL TR(SC-70)

RT1N431M

D 1001(B,88,192) DIODE

DAN202U

D 1002(B,84,192) DIODE

DAN202U

D 1003(B,132,179) DIODE

1SS355

D 1004(B,123,176) DIODE

1SS355

D 1005(B,57,180) DIODE

DAP202U

D 1101(A,163,208) DIODE

UDZS6R2(B)

D 1102(A,157,208) DIODE

UDZS6R2(B)

D 1103(A,163,210) DIODE

UDZS6R2(B)

D 1104(A,158,209) DIODE

UDZS6R2(B)

D 1105(A,172,201) DIODE

1SS355

D 1108(B,178,206) DIODE

UDZS5R1(B)

D 1109(B,176,206) DIODE

UDZS5R1(B)

D 1110(B,169,207) DIODE

UDZS5R1(B)

L 1002(B,181,194) CHIP COIL

LCTAW120J2520

L 1003(A,33,200) AXIAL INDUCTOR

LAU330J

JA 1006(A,57,233) PIN JACK(1P)

AKB7175

X 1001(A,44,196) CRYSTAL RESONATOR

ASS7080

CN1001(A,184,173) 11P SOCKET

XKP3076

CN1002(A,77,178) 21P SOCKET

XKP3081

CN1003(A,184,198) 13P SOCKET

XKP3077

CN1004(A,161,233) 20P SOCKET

AKP7202

1003(A,78,233) PIN JACK(2P)

AKB7176

1001(A,134,233) PIN JACK(2P)

AKB7176

1002(A,106,233) PIN JACK(2P)

AKB7176

5	6	
<u>Mark No.</u>	<u>Description</u>	<u>Part No.</u>
RESISTORS		
R 1001(B,142,224)	RS1/16S750J	
R 1002(B,125,221)	RS1/16S750J	
R 1003(B,97,220)	RS1/16S750J	
R 1004(B,69,220)	RS1/16S750J	
R 1007(B,81,220)	RS1/16S750J	
R 1009(B,108,220)	RS1/16S750J	
R 1011(B,54,219)	RS1/16S750J	
R 1014(A,169,170)	RS1/16S102J	
R 1017(B,105,201)	RS1/16S103J	
R 1018(B,114,201)	RS1/16S103J	
R 1020(B,131,201)	RS1/16S103J	
R 1021(A,108,203)	RS1/16S103J	
R 1022(A,117,203)	RS1/16S103J	
R 1023(B,133,204)	RS1/16S473J	
R 1024(B,135,205)	RS1/16S473J	
R 1025(B,66,204)	RS1/16S473J	
R 1026(B,63,204)	RS1/16S473J	
R 1027(B,64,189)	RS1/16S561J	
R 1030(B,85,196)	RS1/16S473J	
R 1031(B,71,192)	RS1/16S473J	
R 1032(B,69,192)	RS1/16S473J	
R 1033(B,54,189)	RS1/16S473J	
R 1034(A,42,176)	RS1/16S102J	
R 1035(B,28,186)	RS1/16S512J	
R 1036(B,30,186)	RS1/16S392J	
R 1037(B,38,188)	RS1/16S102J	
R 1039(A,24,192)	RS1/16S331J	
R 1040(A,25,196)	RS1/16S331J	
R 1041(A,26,196)	RS1/16S331J	
R 1043(B,175,192)	RS1/16S561J	
R 1046(B,179,190)	RS1/16S102J	
R 1049(A,168,175)	RS1/16S512J	
R 1051(A,168,176)	RS1/16S332J	
R 1053(B,70,216)	RS1/16S0R0J	
R 1054(B,90,209)	RS1/16S473J	
R 1101(A,162,205)	RS1/16S104J	
R 1102(A,158,206)	RS1/16S104J	
R 1103(A,164,205)	RS1/16S331J	
R 1104(A,155,205)	RS1/16S331J	
R 1105(B,163,199)	RS1/16S104J	
R 1106(B,156,199)	RS1/16S104J	
R 1107(B,163,193)	RS1/16S472J	
R 1108(B,157,193)	RS1/16S472J	
R 1109(B,168,195)	RS1/16S472J	
R 1110(B,150,195)	RS1/16S472J	
R 1111(B,163,190)	RS1/16S103J	
R 1112(B,155,189)	RS1/16S103J	
R 1113(A,165,188)	RS1/16S103J	
R 1114(A,154,189)	RS1/16S103J	
R 1115(B,162,183)	RS1/16S101J	
R 1116(B,156,183)	RS1/16S101J	
R 1117(B,169,185)	RS1/16S104J	
R 1118(B,167,182)	RS1/16S104J	
R 1122(A,170,205)	RS1/16S514J	
R 1124(A,170,208)	RS1/16S393J	
R 1127(B,174,212)	RS1/16S0R0J	
R 1131(A,154,212)	RS1/16S750J	
R 1132(A,150,208)	RS1/16S0R0J	

7	8	
<u>Mark No.</u>	<u>Description</u>	<u>Part No.</u>
R 1134(A,152,213)	RS1/16S0R0J	
R 1167(A,111,203)	RS1/16S0R0J	
CAPACITORS		
C 1001(A,75,202)	CKSRYP104K16	
C 1002(A,73,204)	CKSRYP104K16	
C 1005(A,91,212)	CKSRYP104K16	
C 1006(A,94,212)	CKSRYP104K16	
C 1008(B,65,202)	CKSRYP104K16	
C 1009(B,68,189)	CCSRCH561J50	
C 1011(A,169,173)	CKSRYP103K50	
C 1012(A,169,172)	CKSRYP103K50	
C 1014(A,88,202)	CEAT101M10	
C 1016(A,116,200)	CEAT101M10	
C 1018(A,134,200)	CEAT101M10	
C 1019(B,116,211)	CKSRYP104K16	
C 1020(A,120,208)	CKSRYP104K16	
C 1021(A,123,213)	CEAT101M10	
C 1022(A,129,214)	CEAT101M10	
C 1024(B,84,225)	CCSRCH181J50	
C 1025(B,113,224)	CCSRCH181J50	
C 1026(B,56,224)	CCSRCH181J50	
C 1027(A,45,180)	CEAT101M10	
C 1028(A,45,187)	CEAT101M10	
C 1029(A,45,177)	CKSRYP473K25	
C 1030(A,27,185)	CKSRYP473K25	
C 1031(A,39,176)	CCSRCH101J50	
C 1032(A,35,176)	CKSRYP122K50	
C 1033(A,31,176)	CKSRYP122K50	
C 1035(B,34,186)	CKSRYP103K50	
C 1036(B,47,191)	CCSRCH5R0C50	
C 1037(B,45,191)	CCSRCH5R0C50	
C 1038(B,33,193)	CCSRCH240J50	
C 1039(B,32,197)	CCSRCH240J50	
C 1040(A,29,194)	CCSRCH101J50	
C 1041(A,28,193)	CCSRCH101J50	
C 1042(A,26,192)	CCSRCH101J50	
C 1045(B,184,192)	CCSRCH330J50	
C 1046(B,178,193)	CCSRCH120J50	
C 1047(B,180,192)	CCSRCH3R0C50	
C 1093(B,111,224)	CKSRYP103K50	
C 1095(B,82,225)	CKSRYP103K50	
C 1096(B,79,225)	CKSRYP103K50	
C 1097(B,54,224)	CKSRYP103K50	
C 1098(B,43,224)	CKSRYP103K50	
C 1101(A,162,206)	CCSRCH101J50	
C 1102(A,158,205)	CCSRCH101J50	
C 1103(A,160,200)	CCSRCH101J50	
C 1104(A,158,200)	CCSRCH101J50	
C 1105(A,163,201)	CEAT100M50	
C 1106(A,155,201)	CEAT100M50	
C 1107(A,168,197)	CEAT100M50	
C 1108(A,150,197)	CEAT100M50	
C 1113(A,157,193)	CKSRYP103K50	
C 1114(A,162,193)	CKSRYP103K50	
C 1115(A,162,180)	CEAT100M50	
C 1116(A,156,180)	CEAT100M50	
C 1117(A,174,198)	CKSRYP103K50	
C 1118(B,167,224)	CKSRYP103K50	

Mark No. Description

C 1121(A,183,192)
C 1122(A,185,192)

Part No.

CKSRYB103K50
CKSRYB103K50

Mark No. Description

R 1247(A,146,123)

R 1248(A,144,124)
R 1249(A,146,126)
R 1251(B,130,115)
R 1252(B,130,106)
R 1257(A,151,121)

Part No.

RS1/16S103J

RS1/16S470J
RS1/16S274J
RS1/16S332J
RS1/16S332J
RS1/16S0R0J

I S-VIDEO ASSY

MISCELLANEOUS

IC 1201(A,115,134) LOGIC IC TC74HC4051AFT
IC 1202(A,103,134) LOGIC IC TC74HC4051AFT
IC 1203(A,111,119) IC TC74HC4053AFT
IC 1205(A,66,138) VIDEO AMP IC LA7109
IC 1206(A,149,126) IC NJM12904V

Q 1201(B,145,132) TRANSISTOR RT1N241M
Q 1203(B,135,115) TRANSISTOR 2SC4081
Q 1204(B,135,106) TRANSISTOR 2SC4081
Q 1205(A,148,116) TRANSISTOR 2SC4081
Q 1206(B,155,106) TRANSISTOR 2SC4081

D 1203(B,79,133) DIODE DAN202K
D 1204(A,83,129) DIODE DAN202K
D 1205(A,143,125) DIODE 1SS355
D 1251(B,90,112) DIODE 1SS355
D 1252(B,79,113) DIODE 1SS355

L 1201(A,155,109) CHIP COIL LCTAW120J2520
L 1202(B,162,108) CHIP COIL LCTAW120J2520
CN1201(A,175,128) 13P SOCKET XKP3077
CN1202(A,175,101) 15P SOCKET XKP3078
CN1203(A,68,108) 15P SOCKET XKP3078

CN1204 SOCKET XKB3052
CN1205(A,97,163) SOCKET XKB3051
CN1206(A,125,163) SOCKET XKB3051

CAPACITORS

C 1201(B,133,148) CKSRYB104K16
C 1202(B,119,148) CKSRYB104K16
C 1203(B,91,148) CKSRYB104K16
C 1204(B,63,148) CKSRYB104K16
C 1205(B,49,151) CCSRCH181J50

C 1206(B,47,151) CCSRCH181J50
C 1207(B,105,152) CCSRCH181J50
C 1208(B,103,152) CCSRCH181J50
C 1209(B,77,152) CCSRCH181J50
C 1210(B,75,152) CCSRCH181J50

C 1211(A,111,134) CKSRYB104K16
C 1212(A,119,132) CKSRYB104K16
C 1213(A,99,134) CKSRYB104K16
C 1214(A,107,131) CKSRYB104K16
C 1215(A,115,115) CKSRYB104K16

C 1216(A,108,121) CKSRYB104K16
C 1221(A,124,115) CEAT101M10
C 1222(A,124,107) CEAT101M10
C 1225(B,132,110) CKSRYB103K50
C 1226(B,140,110) CKSRYB103K50

C 1227(A,42,120) CEAT101M10
C 1228(B,57,129) CKSRYB104K16
C 1229(A,50,120) CEAT101M10
C 1230(A,87,130) CKSRYB104K16
C 1233(B,59,142) CKSRYB104K16

C 1234(B,59,134) CKSRYB104K16
C 1235(A,53,143) CEAT101M10
C 1236(A,53,136) CEAT101M10
C 1237(A,151,117) CKSRYB103K50
C 1238(A,143,119) CKSRYB103K50

C 1239(B,159,106) CKSRYB103K50
C 1240(B,160,104) CKSRYB103K50
C 1241(A,144,122) CKSRYB104K16
C 1242(A,143,130) CEAT100M50
C 1243(A,155,113) CCSRCH120J50

C 1244(B,167,109) CCSRCH120J50
C 1245(A,152,112) CCSRCH330J50
C 1246(B,158,110) CCSRCH330J50
C 1247(A,152,128) CKSRYB104K16
C 1249(A,154,107) CCSRCJ3R0C50

C 1250(B,162,111) CCSRCJ3R0C50
C 1292(B,73,158) CKSRYB103K50
C 1293(B,93,158) CKSRYB103K50
C 1294(B,129,158) CKSRYB103K50

R 1201(B,131,152) RS1/16S750J
R 1202(B,133,152) RS1/16S750J
R 1203(B,117,152) RS1/16S750J
R 1204(B,119,152) RS1/16S750J
R 1205(B,89,152) RS1/16S750J

R 1206(B,91,152) RS1/16S750J
R 1207(B,61,151) RS1/16S750J
R 1208(B,63,151) RS1/16S750J
R 1209(B,47,148) RS1/16S750J
R 1210(B,49,148) RS1/16S750J

R 1211(B,103,149) RS1/16S750J
R 1212(B,105,149) RS1/16S750J
R 1213(B,75,149) RS1/16S750J
R 1214(B,77,149) RS1/16S750J
R 1218(B,147,132) RS1/16S473J

R 1223(B,138,115) RS1/16S102J
R 1224(B,138,105) RS1/16S102J
R 1225(A,59,132) RS1/16S103J
R 1226(A,63,132) RS1/16S103J
R 1227(A,66,130) RS1/16S103J

R 1228(A,87,131) RS1/16S103J
R 1231(B,80,137) RS1/16S473J
R 1232(A,71,130) RS1/16S473J
R 1235(A,155,111) RS1/16S561J
R 1236(B,167,108) RS1/16S561J

R 1237(B,131,115) RS1/16S103J
R 1238(B,132,106) RS1/16S103J
R 1243(A,145,119) RS1/16S102J
R 1244(B,157,104) RS1/16S102J

J BRIDGE 2 ASSY

MISCELLANEOUS

Mark No. Description**Part No.****Mark No. Description****Part No.**

R 1565(B,22,70) RS1/16S101J

R 1566(B,29,70) RS1/16S101J

R 1567(B,21,86) RS1/16S474J

R 1568(B,25,87) RS1/16S474J

R 1569(A,23,60) RS1/16S103J

R 1570(A,29,60) RS1/16S103J

R 1571(A,21,69) RS1/16S103J

R 1572(A,27,69) RS1/16S103J

R 1573(A,65,46) RS1/16S473J

R 1574(A,62,46) RS1/16S471J

R 1575(A,63,44) RS1/16S473J

R 1576(A,61,43) RS1/16S471J

CAPACITORS

C 1413(A,118,70) CKSRYB103K50

C 1414(A,107,72) CKSRYB103K50

C 1415(A,131,70) CKSRYB103K50

C 1416(A,117,73) CKSRYB103K50

C 1417(A,143,67) CKSRYB103K50

C 1418(A,135,72) CKSRYB103K50

C 1419(A,101,61) CEAT101M10

C 1420(A,95,61) CEAT101M10

C 1421(A,97,53) CEAT101M10

C 1425(A,83,67) CEAT101M10

C 1426(A,83,73) CEAT101M10

C 1427(B,86,67) CKSRYB104K16

C 1428(B,86,72) CKSRYB104K16

C 1431(B,82,60) CKSRYB224K10

C 1432(B,78,60) CKSRYB224K10

C 1443(B,169,41) CKSRYB104K16

C 1444(B,175,46) CKSRYB104K16

C 1445(A,170,59) CCSRCH120J50

C 1446(A,170,55) CCSRCH120J50

C 1447(A,172,50) CCSRCH120J50

C 1448(A,169,59) CCSRCH330J50

C 1449(A,169,55) CCSRCH330J50

C 1450(A,170,50) CCSRCH330J50

C 1454(A,170,57) CCSRCJ3R0C50

C 1455(A,170,52) CCSRCJ3R0C50

C 1456(A,172,48) CCSRCJ3R0C50

C 1469(A,130,54) CKSRYB104K16

C 1470(A,128,54) CCSRCH561J50

C 1471(A,163,58) CEAT100M50

C 1472(A,163,53) CEAT100M50

C 1473(A,166,46) CEAT100M50

C 1490(B,147,85) CKSRYB103K50

C 1491(B,133,85) CKSRYB103K50

C 1492(B,105,85) CKSRYB103K50

C 1493(B,91,85) CKSRYB103K50

C 1501(B,63,84) CCSRCH101J50

C 1502(B,67,85) CCSRCH101J50

C 1507(B,60,70) CCSRCH271J50

C 1508(B,66,70) CCSRCH271J50

C 1521(B,49,84) CCSRCH101J50

C 1522(B,53,85) CCSRCH101J50

C 1527(B,47,70) CCSRCH271J50

C 1528(B,53,70) CCSRCH271J50

C 1531(A,60,78) ELECT. CAPACITOR CEAT470M25

C 1532(A,67,78) ELECT. CAPACITOR CEAT470M25

C 1533(A,47,78) ELECT. CAPACITOR CEAT470M25

C 1541(B,35,84) CCSRCH101J50

C 1542(B,39,85) CCSRCH101J50

C 1547(A,54,78) ELECT. CAPACITOR CEAT470M25

C 1548(A,34,78) ELECT. CAPACITOR CEAT470M25

C 1549(A,41,78) ELECT. CAPACITOR CEAT470M25

C 1550(A,21,78) ELECT. CAPACITOR CEAT470M25

C 1551(A,27,78) ELECT. CAPACITOR CEAT470M25

C 1561(B,21,84) CCSRCH101J50

C 1562(B,25,85) CCSRCH101J50

C 1567(A,60,46) CKSRYB472K50

C 1568(A,58,44) CKSRYB472K50

C 1569(B,34,70) CCSRCH271J50

C 1570(B,40,70) CCSRCH271J50

C 1571(B,20,70) CCSRCH271J50

C 1572(B,27,70) CCSRCH271J50

C 1591(B,58,86) CKSRYB103K50

C 1593(B,30,86) CKSRYB103K50

COMPLEX ASSY (AWK8021)

⚠ Y 14 AWG18 BOARD IN ADX7500

⚠ Y 15 AWG18 BOARD IN ADX7501

L DISPLAY ASSY**MISCELLANEOUS**

IC 2301(B,164,214) DISPLAY U-COM PE5503A

IC 2402(A,237,230) REMOTE RECEIVER UNIT RPM7540-H9

Q 2401(B,205,185) TRANSISTOR RT1N241M

Q 2404(B,251,192) TRANSISTOR 2SA1576A

Q 2405(B,231,192) TRANSISTOR RT1N241M

Q 2407(B,70,220) DIGITAL TR(SC-70) RT1N431M

Q 2408(B,65,214) DIGITAL TR(SC-70) RT1N431M

D 2404(B,238,190) DIODE 1SS355

D 2405(B,254,195) DIODE 1SS355

D 2406(B,252,209) DIODE DAN202U

D 2410(A,76,218) LED(ORANGE) SLI-343DCW(STU)

D 2412(A,58,214) LED(RED) SLI-343URW(RST)

D 2416(B,53,227) DIODE 1SS355

L 2401(A,248,205) RADIAL INDUCTOR LFCA2R2J

V 2301(A,218,237) FL TUBE DISPLAY AAV7113

X 2301(A,179,197) CERAMIC RESONATOR VSS1142

CN2301(A,269,204) CONNECTOR CKS3394

2302(A,48,221) 17P CABLE HOLDER 51048-1700

2303(A,267,196) CABLE HOLDER(4P) 51063-0405

2301(A,157,201) FL HOLDER(FE) VNF1096

RESISTORS

R 2301(B,104,240) RS1/16S104J

R 2302(B,106,240) RS1/16S104J

R 2303(B,108,240) RS1/16S104J

R 2304(B,110,240) RS1/16S104J

R 2305(B,112,240) RS1/16S104J

R 2306(B,114,240) RS1/16S104J

R 2307(B,116,240) RS1/16S104J

R 2308(B,118,240) RS1/16S104J

R 2309(B,120,240) RS1/16S104J

R 2310(B,122,240) RS1/16S104J

R 2311(B,124,240) RS1/16S104J

<u>Mark No.</u>	<u>Description</u>	<u>Part No.</u>	<u>Mark No.</u>	<u>Description</u>	<u>Part No.</u>
S 2453(A,314,207)	SWITCH	VSG1024	S 2563(A,120,91)	SWITCH	VSG1024
S 2454(A,302,174)	ROTARY ENCODER	ASX7048	S 2564(A,135,91)	SWITCH	VSG1024
S 2451(A,278,202)	CABLE HOLDER(4P)	51063-0405	S 2565(A,150,91)	SWITCH	VSG1024
			S 2566(A,165,91)	SWITCH	VSG1024
			S 2567(A,179,91)	SWITCH	VSG1024
			S 2571(A,15,179)	SWITCH	VSG1024
			S 2572(A,18,142)	SWITCH	VSG1024
			S 2573(A,33,142)	SWITCH	VSG1024
			S 2574(A,48,142)	SWITCH	VSG1024
			S 2575(A,90,141)	SWITCH	VSG1024
			S 2576(A,116,141)	SWITCH	VSG1024
			S 2577(A,138,141)	SWITCH	VSG1024
			2501(A,41,205)	17P CABLE HOLDER	51048-1700

RESISTORS

R 2451(B,296,206)	RS1/16S681J
R 2452(B,311,206)	RS1/16S821J

CAPACITORS

C 2451(B,281,208)	CKSRYB102K50
C 2452(B,304,186)	CKSRYB103K50

N MULTI JOG ASSY**CAPACITORS**

C 2501(B,148,108)	CKSRYB103K50
C 2502(B,36,129)	CKSRYB103K50
C 2503(B,33,129)	CKSRYB103K50
C 2551(B,151,141)	CKSRYB102K50
C 2561(B,79,113)	CKSRYB102K50

C 2571(B,18,181)	CKSRYB102K50
C 2580(B,148,113)	CCSRCH561J50
IC 2501(B,157,111)	CMOS IC TC4094BF
Q 2501(B,162,146)	DIGITAL TR(SC-70) RT1N431M
Q 2502(B,174,146)	DIGITAL TR(SC-70) RT1N431M

Q 2503(B,195,146)	DIGITAL TR(SC-70) RT1N431M
Q 2504(B,217,146)	DIGITAL TR(SC-70) RT1N431M
Q 2505(B,237,147)	DIGITAL TR(SC-70) RT1N431M
Q 2506(B,259,146)	DIGITAL TR(SC-70) RT1N431M
Q 2507(B,280,146)	DIGITAL TR(SC-70) RT1N431M

Q 2508(B,314,140)	DIGITAL TR(SC-70) RT1N431M
Q 2509(B,131,147)	DIGITAL TR(SC-70) RT1N431M
Q 2510(B,22,184)	DIGITAL TR(SC-70) RT1N431M
Q 2511(B,121,147)	DIGITAL TR(SC-70) RT1N431M
Q 2512(B,87,146)	DIGITAL TR(SC-70) RT1N431M

D 2502(A,155,147)	LED(ORANGE) SLR-343DC(NPQ)
D 2504(A,177,147)	LED(ORANGE) SLR-343DC(NPQ)
D 2506(A,198,147)	LED(ORANGE) SLR-343DC(NPQ)
D 2508(A,220,147)	LED(ORANGE) SLR-343DC(NPQ)
D 2510(A,241,147)	LED(ORANGE) SLR-343DC(NPQ)

D 2512(A,263,147)	LED(ORANGE) SLR-343DC(NPQ)
D 2514(A,284,147)	LED(ORANGE) SLR-343DC(NPQ)
D 2516(A,306,147)	LED(ORANGE) SLR-343DC(NPQ)
D 2518(A,134,147)	LED(ORANGE) SLR-343DC(NPQ)
D 2520(A,16,186)	LED(BLUE) SLR343BC4T(JKLM)

D 2522(A,112,147)	LED(ORANGE) SLR-343DC(NPQ)
D 2524(A,91,147)	LED(ORANGE) SLR-343DC(NPQ)
J 2501	JUMPER WIRE D20PDD1715E
S 2501(A,36,119)	ROTARY ENCODER ASX7031
S 2551(A,154,141)	SWITCH VSG1024

S 2552(A,181,141)	SWITCH VSG1024
S 2553(A,202,141)	SWITCH VSG1024
S 2554(A,224,141)	SWITCH VSG1024
S 2555(A,245,141)	SWITCH VSG1024
S 2556(A,267,141)	SWITCH VSG1024

S 2557(A,288,141)	SWITCH VSG1024
S 2558(A,310,141)	SWITCH VSG1024
S 2561(A,74,117)	SWITCH VSG1024
S 2562(A,106,91)	SWITCH VSG1024

RESISTORS

R 2501(B,151,152)	RS1/16S181J
R 2502(B,184,152)	RS1/16S181J
R 2503(B,194,152)	RS1/16S181J
R 2504(B,216,152)	RS1/16S181J
R 2505(B,237,152)	RS1/16S181J

R 2506(B,259,152)	RS1/16S181J
R 2507(B,280,152)	RS1/16S181J
R 2508(B,302,152)	RS1/16S181J
R 2509(B,142,152)	RS1/16S181J
R 2510(B,9,186)	RS1/16S391J

R 2511(B,119,152)	RS1/16S181J
R 2512(B,87,151)	RS1/16S181J
R 2513(B,160,103)	RS1/16S0R0J
R 2551(B,149,141)	RS1/16S472J
R 2552(B,173,141)	RS1/16S681J

R 2553(B,194,141)	RS1/16S821J
R 2554(B,216,141)	RS1/16S122J
R 2555(B,237,141)	RS1/16S162J
R 2556(B,258,141)	RS1/16S272J
R 2557(B,280,141)	RS1/16S512J

R 2558(B,301,142)	RS1/16S133J
R 2561(B,77,113)	RS1/16S472J
R 2562(B,106,98)	RS1/16S681J
R 2563(B,117,90)	RS1/16S821J
R 2564(B,132,90)	RS1/16S122J

R 2565(B,145,90)	RS1/16S162J
R 2566(B,160,90)	RS1/16S272J
R 2567(B,175,90)	RS1/16S512J
R 2571(B,12,181)	RS1/16S472J
R 2572(B,18,146)	RS1/16S681J

R 2573(B,30,142)	RS1/16S821J
R 2574(B,45,142)	RS1/16S122J
R 2575(B,87,141)	RS1/16S162J
R 2576(B,106,143)	RS1/16S272J
R 2577(B,130,141)	RS1/16S512J

R 2580(B,145,116)	RS1/16S561J
-------------------	-------------

O HEADPHONE ASSY**CAPACITORS**

C 2851(B,19,42)	CKSRYB392K50
C 2852(B,11,29)	CKSRYB392K50
C 2853(B,10,40)	CCSRCH471J50
C 2854(B,13,43)	CKSRYB103K50

Mark No.	Description	Part No.
C 2855(B,13,45)		CKSRYP104K16
KN2851(A,13,54)	WRAPPING TERMINAL	VNF1084
CN2851(A,19,70)	4P JUMPER CONNECTOR	52147-0410
2851(A,15,14)	PHONE JACK	AKN7029

RESISTORS

R 2851(B,20,26)	RS1/16S102J
R 2852(B,16,27)	RS1/16S0R0J

P FRONT-IN ASSY

CAPACITORS

C 2651(B,126,58)	CCSRCH221J50
C 2652(B,109,56)	CCSRCH221J50
C 2653(A,125,47)	CEAT100M50
C 2654(A,109,46)	CEAT100M50
C 2655(B,126,54)	CCSRCH101J50
C 2656(B,115,56)	CCSRCH101J50
C 2659(A,125,39)	ELECT. CAPACITOR CEAT470M25
C 2660(A,109,39)	ELECT. CAPACITOR CEAT470M25
C 2661(B,113,40)	CKSRYP103K50
C 2662(B,115,37)	CKSRYP103K50
C 2663(A,102,46)	ELECT. CAPACITOR CEAT330M25
C 2664(A,102,40)	ELECT. CAPACITOR CEAT330M25
C 2665(B,152,46)	CKSRYP103K50
C 2666(B,150,46)	CKSRYP223K50
C 2671(B,130,61)	CKSRYP103K50
C 2673(B,154,57)	CKSRYP104K16
C 2674(B,156,46)	CKSRYP103K50
C 2675(B,158,46)	CKSRYP223K50
C 2681(B,89,65)	CKSRYP104K16
C 2701(B,42,69)	CCSRCH471J50
C 2702(A,36,66)	CEAT100M50
C 2703(B,32,62)	CCSRCH101J50
C 2704(B,36,62)	CCSRCH330J50
C 2705(B,32,48)	CCSRCH330J50
C 2706(A,34,36)	CEAT100M50
C 2707(B,48,43)	CKSRYP103K50
C 2709(B,52,43)	CKSRYP223K50
C 2712(A,35,44)	CEAT100M50
C 2713(B,40,57)	CKSRYP103K50
C 2714(B,40,53)	CKSRYP103K50
C 2715(A,49,59)	CEAT100M50
C 2716(A,49,53)	CEAT100M50
C 2718(B,40,38)	CKSRYP102K50
C 2719(B,40,36)	CCSRCH221J50
C 2753(B,68,56)	CKSRYP104K16
C 2755(A,68,51)	CEAT101M16
C 2756(B,73,51)	CKSRYP104K16
C 2757(B,73,46)	CCSRCH471J50
IC 2701(B,36,55)	OP-AMP IC BA4560RF
Q 2651(B,116,47)	CHIP TRANSISTOR HN1C01FU
D 2701(B,29,62)	DIODE DAN217
D 2702(B,33,32)	DIODE UDZS5R1(B)
D 2703(B,31,29)	DIODE UDZS5R1(B)
D 2704(B,28,46)	DIODE UDZS5R1(B)
L 2653(B,117,59)	INDUCTOR CTF1385
L 2671(B,143,58)	INDUCTOR CTF1385
L 2681(B,92,65)	CHIP SOLID INDUCTOR QTL1013

Mark No.	Description	Part No.
L 2752(B,68,60)	CHIP FERRITE BEADS	VTL1169
L 2753(B,72,55)	CHIP FERRITE BEADS	VTL1169
JA 2651(A,109,69)	PIN JACK(4P)	XXK3003
JA 2652(A,88,77)	OPTICAL IN MOD.	GP1FMV51RK0F
JA 2701(A,45,73)	JACK REMOCON	RKN1004
JA 2751(A,65,76)	USB CONNECTOR	XKP3086
KN 2651(A,156,42)	WRAPPING TERMINAL	VNF1084
KN 3351(A,44,37)	WRAPPING TERMINAL	VNF1084
CN2651(A,40,28)	CONNECTOR	CKS3382
CN2652(A,67,42)	CONNECTOR	B4B-PH

RESISTORS

R 2651(B,121,58)	RS1/16S0R0J
R 2652(B,107,57)	RS1/16S0R0J
R 2653(B,128,58)	RS1/16S104J
R 2654(B,111,56)	RS1/16S104J
R 2655(B,128,54)	RS1/16S221J
R 2656(B,107,52)	RS1/16S221J
R 2657(B,124,54)	RS1/16S104J
R 2658(B,113,56)	RS1/16S104J
R 2659(B,122,46)	RS1/16S221J
R 2660(B,113,51)	RS1/16S221J
R 2661(B,118,46)	RS1/16S153J
R 2662(B,113,43)	RS1/16S153J
R 2663(B,120,46)	RS1/16S101J
R 2664(B,112,48)	RS1/16S101J
R 2665(B,100,46)	RS1/16S470J
R 2666(B,100,39)	RS1/16S470J
R 2668(B,131,57)	RS1/16S0R0J
R 2671(B,141,62)	RS1/16S750J
R 2672(B,145,62)	RS1/16S0R0J
R 2673(B,152,59)	RS1/16S750J
R 2674(B,150,64)	RS1/16S750J
R 2675(B,152,55)	RS1/16S0R0J
R 2676(B,148,58)	RS1/16S0R0J
R 2681(B,85,65)	RS1/16S101J
R 2701(B,41,65)	RS1/16S102J
R 2702(B,38,68)	RS1/16S682J
R 2703(B,40,69)	RS1/16S104J
R 2704(B,30,66)	RS1/16S101J
R 2705(B,34,62)	RS1/16S104J
R 2706(B,30,57)	RS1/16S472J
R 2707(B,38,62)	RS1/16S333J
R 2708(B,41,61)	RS1/16S101J
R 2709(B,30,48)	RS1/16S472J
R 2710(B,34,48)	RS1/16S333J
R 2711(B,36,48)	RS1/16S101J
R 2712(B,34,28)	RS1/16S104J
R 2714(B,34,38)	RS1/16S102J
R 2751(B,65,60)	RS1/16S0R0J
R 2752(B,63,60)	RS1/16S0R0J

Q PRIMARY ASSY

MISCELLANEOUS

⚠ IC 2001(A,305,99)	REGULATOR IC	NJM78M56FA
Q 2001(B,281,60)	DIGITAL TR(SC-70)	RT1N431M
D 2001(B,276,60)	DIODE	1SS355
D 2002(B,276,65)	DIODE	1SS355
⚠ D 2003(B,296,87)	BRIDGE DIODE	S1WB(A)60SD

Mark No. Description Part No.

D	2004(B,304,75)	DIODE	1SS355	
D	2006(B,308,70)	DIODE	UDZS5R1(B)	
A	△ L	2001(A,244,24)	LINE FILTER	XTF3004
H	2001(A,243,46)	FUSE CLIP	AKR7001	
H	2002(A,223,46)	FUSE CLIP	AKR7001	

KN	2001(A,194,19)	SCREW PLATE	VNE1948
△ RY	2001(A,251,58)	JOE LOWPOWER RELAY	ASR7013
△ T	2001(A,273,84)	STANDBY TRANSFORMER	ATT7040
CN	2001(A,301,115)	9P SOCKET	KP200TA9L
CN	2002(A,246,115)	5P SOCKET	KP200TA5L

△ CN	2003(A,225,25)	AC CODE SOCKET	RKP1751
------	----------------	----------------	---------

RESISTORS

R	2002(A,279,68)	CARBON FILM RESISTOR	RD1/4MUF101J
R	2003(B,305,70)		RS1/16S103J
R	2004(B,302,70)		RS1/16S332J

CAPACITORS

△ C	2002(A,266,26)	FILM CAPACITOR	ACE7013
△ C	2003(A,251,52)	SAFETY CAPACITOR	XCG3009
C	2004(A,290,106)	FILM CAPACITOR	CQMBA103J50
C	2010(A,309,106)		CEAT221M25
C	2011(B,310,85)		CKSRYB103K50

C	2012(A,303,88)	ELECT. CAPACITOR	CEAT102M25
---	----------------	------------------	------------

R TRANS 1 ASSY

TRANS 1 ASSY has no service part.

SECONDARY ASSY (AWK7997)**MISCELLANEOUS**

Y	11	AWG18 BOARD IN	ADX7504
Y	10	AWG18 BOARD IN	ADX7503
Y	9	AWG18 BOARD IN	ADX7502
Y	12	AWG18 BOARD IN	ADX7505

S TRANS 2-1 ASSY**MISCELLANEOUS**

△ IC	3251(A,228,215)	PROTECTOR(7A)	AEK7021
△ IC	3252(A,239,164)	PROTECTOR(7A)	AEK7021
Q	3251(B,244,224)	CHIP TRANSISTOR	RN1901
Q	3252(B,253,224)	TRANSISTOR	UMD2N
Q	3253(B,261,224)	TRANSISTOR	UMD2N

△ D	3251(B,234,181)	BRIDGE DIODE	S1WB(A)60SD
D	3253(B,236,216)	DIODE	UDZS8R2(B)
D	3254(B,263,217)	DIODE	UDZS7R5(B)
D	3255(B,233,216)	DIODE	UDZS9R1(B)
D	3256(B,263,219)	DIODE	UDZS8R2(B)

D	3257(B,233,223)	DIODE	UDZS9R1(B)
D	3258(B,258,218)	DIODE	UDZS8R2(B)
D	3259(B,238,223)	DIODE	UDZS6R8(B)
D	3260(B,258,220)	DIODE	UDZS6R8(B)
D	3261(B,240,220)	DIODE	UDZS12(B)

D	3262(B,253,220)	DIODE	UDZS12(B)
D	3263(B,238,218)	DIODE	UDZS13(B)
D	3264(B,253,218)	DIODE	UDZS15(B)
D	3265(B,257,226)	DIODE	UDZS13(B)

Mark No. Description Part No.

D	3266(B,267,227)	DIODE	UDZS13(B)
---	-----------------	-------	-----------

J	3251	JUMPER WIRE	D20PDY0610E
	3251(A,261,193)	6P CABLE HOLDER	51048-0600

RESISTORS

△ R	3253(A,248,192)	METAL OXIDE RESISTOR	RS1LMF472J
△ R	3254(A,263,212)	METAL OXIDE RESISTOR	RS1LMF472J
△ R	3255(A,245,195)	CARBON FILM RESISTOR	RD1/2LMF332J
△ R	3256(A,259,215)	CARBON FILM RESISTOR	RD1/2LMF332J

CAPACITORS

C	3253(A,243,186)	ELECT. CAPACITOR	CEAT471M2A
C	3254(A,253,172)	ELECT. CAPACITOR	CEAT471M2A
C	3255(A,240,202)	ELECT. CAPACITOR	CEAT101M63
C	3256(A,240,213)	ELECT. CAPACITOR	CEAT101M63
C	3257(A,269,190)	ELECT. CAPACITOR	CEAT221M2A
C	3258(A,262,201)	ELECT. CAPACITOR	CEAT221M2A

T DIODE 1 ASSY**MISCELLANEOUS**

△ D	3301(A,175,164)	DIODE	D5SBA20(B)
△ D	3302(A,175,199)	DIODE	D5SBA20(B)

RESISTORS

△ R	3301(A,194,172)	CARBON FILM RESISTOR	RD1/4MUF100J
-----	-----------------	----------------------	--------------

CAPACITORS

C	3301(A,191,182)	FILM CAPACITOR	CFTLA104J2A
C	3302(A,196,177)	FILM CAPACITOR	CFTLA104J2A

U VH TR ASSY**MISCELLANEOUS**

△ IC	3351(A,177,136)	IC PROTECTOR	ICP-N15
△ IC	3352(A,177,152)	IC PROTECTOR	ICP-N15
△ Q	3351(B,172,130)	CHIP TRANSISTOR	2SA1514K
△ Q	3352(A,162,135)	TRANSISTOR	2SB1186A
△ Q	3353(A,162,150)	TRANSISTOR	2SD1763A

△ Q	3354(B,172,145)	CHIP TRANSISTOR	2SC3906K
△ D	3351(B,173,141)	DIODE	1SR154-400
△ D	3352(B,176,157)	DIODE	1SR154-400
	CN3351(A,184,138)	6P JUMPER CONNECTOR	52147-0610

RESISTORS

R	3351(B,179,129)		RS1/16S471J
R	3352(B,168,128)		RS1/16S100J
R	3353(B,168,143)		RS1/16S100J
R	3354(B,177,144)		RS1/16S471J

V BRIDGE 1-L ASSY**MISCELLANEOUS**

CN	5801(A,44,196)	23P PLUG	XKP3071
CN	5802(A,69,196)	23P PLUG	XKP3071
CN	5803(A,44,163)	9P PLUG	XKP3064
CN	5804(A,69,163)	9P PLUG	XKP3064
	5801(A,76,147)	PCB BINDER	VEF1040

Mark No.	Description	Part No.
W PS/SP ASSY		
MISCELLANEOUS		
Q 3001(B,161,85)	CHIP TRANSISTOR	DTC114TUA
Q 3002(B,229,97)	CHIP TRANSISTOR	DTC114TUA
Q 3003(B,247,90)	CHIP TRANSISTOR	DTC114TUA
Q 3004(B,290,84)	CHIP TRANSISTOR	DTC114TUA
Q 3005(B,212,99)	CHIP TRANSISTOR	DTC114TUA
D 3001(B,168,80)	DIODE	1SS355
D 3002(B,165,80)	DIODE	1SS355
D 3003(B,216,88)	DIODE	1SS355
D 3004(B,213,88)	DIODE	1SS355
D 3005(B,247,82)	DIODE	1SS355
D 3006(B,244,82)	DIODE	1SS355
D 3007(B,291,79)	DIODE	1SS355
D 3008(B,289,79)	DIODE	1SS355
D 3009(B,217,99)	DIODE	1SS355
D 3010(B,215,99)	DIODE	1SS355
L 3011(A,188,78)	COIL	ATH1053
L 3021(A,146,69)	COIL	ATH1053
L 3031(A,199,83)	COIL	ATH1053
L 3041(A,258,82)	COIL	ATH1053
L 3051(A,236,90)	COIL	ATH1053
L 3061(A,299,74)	COIL	ATH1053
L 3071(A,280,84)	COIL	ATH1053
J 3009(A,174,89)	CONNECTOR ASSY	PF13PG-R07
KN3001(A,318,64)	WRAPPING TERMINAL	VNF1084
RY 3001(A,163,81)	RELAY	ASR7001
RY 3002(A,211,89)	RELAY	ASR7001
RY 3003(A,242,83)	RELAY	ASR7001
RY 3004(A,286,82)	RELAY	ASR7001
RY 3005(A,219,103)	RELAY	ASR7001
CN3001(A,190,33)	SPEAKER TERMINAL 8-P	AKE7119
CN3002(A,274,33)	SPEAKER TERMINAL 6-P	AKE7108
CN3007(A,313,90)	5P PLUG 5P PLUG	KM200TA5
CN3008(A,313,145)	9P PLUG	KM200TA9
Y 13	AWG14 BOARD IN	ADX7512
Y 8	AWG14 BOARD IN	ADX7512

RESISTORS

△ R 3011(A,187,68)	METAL OXIDE RESISTOR	RS1/2LMF4R7J
△ R 3012(A,175,64)	METAL OXIDE RESISTOR	RS1LMF100J
△ R 3013(A,193,94)	METAL OXIDE RESISTOR	RS2LMF331J
△ R 3021(A,148,79)	METAL OXIDE RESISTOR	RS1/2LMF4R7J
△ R 3022(A,152,51)	METAL OXIDE RESISTOR	RS1LMF100J
△ R 3023(A,188,97)	METAL OXIDE RESISTOR	RS2LMF331J
△ R 3031(A,196,87)	METAL OXIDE RESISTOR	RS1/2LMF4R7J
△ R 3032(A,194,67)	METAL OXIDE RESISTOR	RS1LMF100J
△ R 3041(A,254,82)	METAL OXIDE RESISTOR	RS1/2LMF4R7J
△ R 3042(A,267,67)	METAL OXIDE RESISTOR	RS1LMF100J
△ R 3051(A,240,93)	METAL OXIDE RESISTOR	RS1/2LMF4R7J
△ R 3052(A,237,79)	METAL OXIDE RESISTOR	RS1LMF100J
△ R 3061(A,309,63)	METAL OXIDE RESISTOR	RS1/2LMF4R7J
△ R 3062(A,313,73)	METAL OXIDE RESISTOR	RS1LMF100J
△ R 3071(A,280,88)	METAL OXIDE RESISTOR	RS1/2LMF4R7J
△ R 3072(A,268,94)	METAL OXIDE RESISTOR	RS1LMF100J
△ R 3101(A,222,115)	CARBON FILM RESISTOR	RD1/4MUF473J
△ R 3102(A,252,115)	CARBON FILM RESISTOR	RD1/4MUF473J

CAPACITORS

Mark No.	Description	Part No.
C 3001(A,164,89)		CEAT101M50
C 3011(A,190,60)		CFTLA104J50
C 3012(A,203,53)		CFTLA104J50
C 3013(A,190,42)	FILM CAPACITOR	CQMBA103J50
C 3021(A,157,48)		CFTLA104J50
C 3022(A,157,39)		CFTLA104J50
C 3023(A,169,42)	FILM CAPACITOR	CQMBA103J50
C 3031(A,205,66)		CFTLA104J50
C 3032(A,200,60)		CFTLA104J50
C 3033(A,211,42)	FILM CAPACITOR	CQMBA103J50
C 3041(A,257,63)		CFTLA104J50
C 3042(A,253,57)		CFTLA104J50
C 3043(A,253,42)	FILM CAPACITOR	CQMBA103J50
C 3051(A,224,70)		CFTLA104J50
C 3052(A,230,70)		CFTLA104J50
C 3053(A,232,42)	FILM CAPACITOR	CQMBA103J50
C 3061(A,308,58)		CFTLA104J50
C 3062(A,302,53)		CFTLA104J50
C 3063(A,295,42)	FILM CAPACITOR	CQMBA103J50
C 3071(A,274,70)		CFTLA104J50
C 3072(A,279,65)		CFTLA104J50
C 3073(A,274,42)	FILM CAPACITOR	CQMBA103J50
C 3091(B,181,50)		CKSRYB222K50
C 3092(B,179,50)		CKSRYB222K50
C 3093(B,265,50)		CKSRYB222K50
C 3094(B,263,50)		CKSRYB222K50
C 3096(B,318,55)		CKSRYB222K50
C 3101(A,212,137)		ACH7255
C 3102(A,258,137)		ACH7255

X TRANS 2-2 ASSY

MISCELLANEOUS

H 3401(A,120,100)	FUSE CLIP	AKR7001
H 3402(A,98,100)	FUSE CLIP	AKR7001
H 3403(A,120,87)	FUSE CLIP	AKR7001
H 3404(A,98,87)	FUSE CLIP	AKR7001
H 3405(A,120,74)	FUSE CLIP	AKR7001
H 3406(A,98,74)	FUSE CLIP	AKR7001
H 3407(A,119,57)	FUSE CLIP	AKR7001
H 3408(A,97,57)	FUSE CLIP	AKR7001
H 3409(A,120,45)	FUSE CLIP	AKR7001
H 3410(A,98,45)	FUSE CLIP	AKR7001
J 3401(A,132,97)	CONNECTOR ASSY	PF12PG-R40

Y TRANS SIDE ASSY

MISCELLANEOUS

J 3201	JUMPER WIRE	D20PDY0410E
CN3202(A,60,8)	CONNECTOR	CKS3382
CN3203(A,319,21)	CONNECTOR	B13B-PH
3201(A,84,28)	4P CABLE HOLDER	51048-0400

Z LOCAL P-SUPPLY ASSY

MISCELLANEOUS

△ IC 3502(A,120,181)	PROTECTOR(1.6A)	AEK7012
△ IC 3504(A,80,176)	IC	NJM78M05FA
△ IC 3505(A,80,226)	REGULATOR IC	NJM78M56FA
△ IC 3506(A,80,201)	IC	NJM79M05FA
△ IC 3510(A,111,238)	PROTECTOR(1.6A)	AEK7012

Mark No.	Description	Part No.
△ Q	3501(B,110,149) TRANSISTOR	UMD2N
△ Q	3502(A,80,151) TRANSISTOR	2SD1763A
A	Q 3503(B,144,140) DIGITAL TRANSISTOR	DTC124EUA
Q	3504(B,109,230) CHIP TRANSISTOR	RSR015P03
Q	3505(B,115,232) DIGITAL TRANSISTOR	DTC124EUA
△ D	3501(B,120,163) DIODE	1SR154-400
△ D	3502(B,124,163) DIODE	1SR154-400
△ D	3503(B,128,163) DIODE	1SR154-400
D	3504(B,136,146) DIODE	UDZS6R2(B)
D	3505(B,138,146) DIODE	UDZS6R2(B)
D	3506(B,141,146) DIODE	UDZS6R2(B)
D	3507(B,143,146) DIODE	UDZS6R2(B)
D	3508(B,142,180) DIODE	UDZS6R2(B)
B	△ D 3509(B,108,160) DIODE	1SR154-400
△ D	3510(B,113,160) DIODE	1SR154-400
D	3511(B,106,137) DIODE	UDZS27(B)
△ D	3512(A,117,196) DIODE	D3SBA20(B)
D	3513(B,86,180) CHIP DIODE	RB501V-40
△ D	3514(A,95,181) DIODE	MTZJ6R2(B)
D	3515(B,87,236) CHIP DIODE	RB501V-40
D	3516(B,87,204) CHIP DIODE	RB501V-40
D	3529(B,80,196) DIODE	1SS355
J	3502 9P JUMPER WIRE	D20PDY0915E
J	3503(A,152,132) CONNECTOR ASSY	PF05PG-Q15
C	J 3504(A,160,239) CONNECTOR ASSY	PF10PG-R07
J	3505(A,138,232) CONNECTOR ASSY	PF09PG-R37
J	3506 JUMPER WIRE	D20PDY0410E
CN	3501(A,141,151) CONNECTOR	B12B-PH
	3506(A,150,167) 4P CABLE HOLDER	51048-0400
	3502(A,149,215) 9P CABLE HOLDER	51048-0900

RESISTORS

R	3501(B,120,152)	RS1/16S473J
△ R	3503(A,127,156) CARBON FILM RESISTOR	RD1/4MUF391J
R	3504(B,111,142)	RS1/16S472J
R	3505(B,108,142)	RS1/16S101J
R	3506(B,140,139)	RS1/16S222J
△ R	3508(A,134,181) CARBON FILM RESISTOR	RD1/4MUF4R7J
R	3511(B,106,235)	RS1/16S103J
R	3512(B,113,235)	RS1/16S101J

CAPACITORS

C	3501(A,150,148) FILM CAPACITOR	CQ MBA104J50
C	3502(A,122,168) ELECT. CAPACITOR	CEANP101M35
C	3503(A,118,157) ELECT. CAPACITOR	CEAT101M35
C	3504(A,123,147)	CEAT221M35
C	3505(A,139,179)	CEAT101M16
C	3506(A,133,145)	CEAT470M50
C	3508(B,122,152)	CKSRYB103K50
C	3510(A,110,171) ELECT. CAPACITOR	CEANP102M16
C	3511(A,107,154) ELECT. CAPACITOR	CEAT102M35
C	3512(A,112,133)	CEAT100M50
C	3513(B,83,149)	CKSRYB102K50
C	3514(A,145,136)	CEAT100M50
C	3515(A,137,140) ELECT. CAPACITOR	CEANP470M25
C	3516(A,122,187) FILM CAPACITOR	CQ MBA104J50
F	C 3517(B,83,175)	CKSRYB103K50
C	3518(A,85,189)	CEAT221M16
C	3519(A,117,208) ELECT. CAPACITOR	CEAT682M16

Mark No.	Description	Part No.
C	3520(A,134,208) ELECT. CAPACITOR	CEAT222M16
C	3521(B,83,224)	CKSRYB103K50
C	3522(B,87,201)	CKSRYB103K50
C	3523(A,88,227)	CEAT101M16
C	3524(A,85,214)	CEAT101M16

AA DC/DC ASSY

MISCELLANEOUS

△ IC	651 (A,43,196) REGULATOR IC	PQ1CG3032FZ
△ Q	651 (A,65,206) TRANSISTOR	2SD1858X
D	651 (B,45,207) DIODE	RB051L-40
D	652 (B,66,211) DIODE	UDZS7R5(B)
△ D	653 (A,38,152) DIODE	D3SBA20(B)
△ D	654 (A,68,231) DIODE	MTZJ6R2(B)
L	651 (A,50,212) INDUCTOR	ATH7020
KN	651 (A,40,181) SCREW PLATE	VNE1948
CN	651 (A,70,221) 3P TOP POST	B3B-EH
CN	652 (A,70,166) 4P JUMPER CONNECTOR	52147-0410
	651 (A,52,146) PCB BINDER	VEF1040

RESISTORS

△ R	651 (A,64,164) CARBON FILM RESISTOR	RD1/4MUF4R7J
R	652 (B,39,194) CHIP METAL FILM R	RN1/16SE1800D
R	653 (B,38,195)	RN1/16SE3001D
R	654 (B,41,192)	RN1/16SE1001D
R	655 (B,64,210)	RS1/16S302J
R	656 (B,62,210)	RS1/16S101J

CAPACITORS

C	651 (A,68,150) FILM CAPACITOR	CQ MBA104J50
C	654 (A,59,176) ELECT. CAPACITOR	CEAT103M16
C	655 (A,67,189) ELECT. CAPACITOR	CEHAZL102M16
C	657 (A,55,226) ELECT. CAPACITOR	CEHAZL102M6R3
C	658 (A,67,214)	CEAT101M16
C	659 (A,69,206)	CEAT101M16

AB IR I/O ASSY

MISCELLANEOUS

△ Q	3751(B,34,66) TRANSISTOR	2SD1664
D	3752(B,41,60) DIODE	UDZS10(B)
KN	3751(A,40,91) SCREW PLATE	VNE1948
CN	3701(A,58,46) 10P CONNECTOR	VKN1241
CN	3702(A,74,44) 23P SOCKET	XKP3082
CN	3703(A,28,43) CONNECTOR	CKS3376

RESISTORS

R	3703(B,25,84)	RS1/16S0R0J
R	3752(A,38,66) CARBON FILM RESISTOR	RD1/4MUF391J
R	3755(B,48,62)	RS1/16S0R0J

CAPACITORS

C	3701(B,49,81)	CKSRYB104K50
C	3702(B,27,84)	CCSRCH471J50
C	3752(A,38,61)	CEAT101M16
C	3753(B,26,71)	CKSRYB103K50
C	3754(B,24,71)	CKSRYB104K50

Mark No.	Description	Part No.
C 3755(B,28,71)		CKSRYB105K10
C 3756(B,67,56)		CKSRYB103K50
C 3757(B,71,58)		CCSRCH471J50

AC VIDEO CONNECT ASSY

MISCELLANEOUS

CN3801(A,288,240)	CONNECTOR POST	S9B-PH
CN3802(A,298,175)	21P PLUG	XKP3070
CN3803(A,305,198)	15P PLUG	XKP3067
CN3804(A,308,222)	13P PLUG	XKP3066

POWER AMP ASSY (AWK7922)

MISCELLANEOUS

J 3	JUMPER WIRE	D20PDY0525E
Y 1	LEAD WITH HOUSING	ADX7459
Y 6	LEAD WITH HOUSING	ADX7498
Y 4	LEAD WITH HOUSING	ADX7460
Y 3	LEAD WITH HOUSING	ADX7458
Y 2	LEAD WITH HOUSING	ADX7457
Y 5	LEAD WITH HOUSING	ADX7404

AD POWER AMP-L ASSY

MISCELLANEOUS

⚠ IC 5001(A,174,135)	DARLINGTON POWER IC	SAP17N(OY)
⚠ IC 5002(A,208,135)	DARLINGTON POWER IC	SAP17P(OY)
⚠ IC 5101(A,106,135)	DARLINGTON POWER IC	SAP17N(OY)
⚠ IC 5102(A,140,135)	DARLINGTON POWER IC	SAP17P(OY)
⚠ IC 5201(A,242,135)	DARLINGTON POWER IC	SAP17N(OY)
⚠ IC 5202(A,276,135)	DARLINGTON POWER IC	SAP17P(OY)
⚠ IC 5601(A,310,135)	DARLINGTON POWER IC	SAP17N(OY)
Q 5001(B,186,207)	CHIP TRANSISTOR	2SD2704K
Q 5002(B,174,194)	TRANSISTOR	IMT4
Q 5003(B,188,198)	CHIP TRANSISTOR	2SA1514K
⚠ Q 5004(A,185,184)	TRANSISTOR	2SA1145
Q 5005(A,161,191)	TRANSISTOR	2SC2705
Q 5041(B,149,195)	CHIP TR	2SA1255
Q 5101(B,132,207)	CHIP TRANSISTOR	2SD2704K
Q 5102(B,120,194)	TRANSISTOR	IMT4
Q 5103(B,134,198)	CHIP TRANSISTOR	2SA1514K
⚠ Q 5104(A,131,184)	TRANSISTOR	2SA1145
Q 5105(A,108,191)	TRANSISTOR	2SC2705
Q 5141(B,91,201)	CHIP TR	2SA1255
Q 5201(B,274,206)	CHIP TRANSISTOR	2SD2704K
Q 5202(B,262,193)	TRANSISTOR	IMT4
Q 5203(B,276,197)	CHIP TRANSISTOR	2SA1514K
⚠ Q 5204(A,273,183)	TRANSISTOR	2SA1145
Q 5205(A,250,191)	TRANSISTOR	2SC2705
Q 5241(B,238,197)	CHIP TR	2SA1255
⚠ D 5001(B,190,188)	CHIP ZENER DIODE	UDZS3R6(B)
⚠ D 5002(B,188,188)	DIODE	1SS355
⚠ D 5003(B,180,184)	DIODE	1SS355
⚠ D 5004(B,172,184)	DIODE	1SS355
⚠ D 5005(B,177,184)	DIODE	UDZS4R7(B)
⚠ D 5006(B,175,184)	DIODE	UDZS4R7(B)
D 5041(B,149,174)	DIODE	1SS355
D 5042(B,151,174)	DIODE	1SS355
D 5043(B,151,203)	DIODE	1SS355
D 5044(B,154,171)	DIODE	1SS355

Mark No.	Description	Part No.
⚠ D 5101(B,137,188)	CHIP ZENER DIODE	UDZS3R6(B)
⚠ D 5102(B,135,188)	DIODE	1SS355
⚠ D 5103(B,126,184)	DIODE	1SS355
⚠ D 5104(B,119,184)	DIODE	1SS355
⚠ D 5105(B,124,184)	DIODE	UDZS4R7(B)
⚠ D 5106(B,121,184)	DIODE	UDZS4R7(B)
D 5141(B,91,188)	DIODE	1SS355
D 5142(B,95,188)	DIODE	1SS355
D 5143(B,95,202)	DIODE	1SS355
D 5144(B,97,188)	DIODE	1SS355
⚠ D 5201(B,279,187)	CHIP ZENER DIODE	UDZS3R6(B)
⚠ D 5202(B,276,187)	DIODE	1SS355
⚠ D 5203(B,268,183)	DIODE	1SS355
⚠ D 5204(B,261,183)	DIODE	1SS355
⚠ D 5205(B,266,183)	DIODE	UDZS4R7(B)
⚠ D 5206(B,263,183)	DIODE	UDZS4R7(B)
D 5241(B,238,173)	DIODE	1SS355
D 5242(B,240,173)	DIODE	1SS355
D 5243(B,240,202)	DIODE	1SS355
D 5244(B,242,173)	DIODE	1SS355
CN5001(A,319,200)	13P SOCKET	XKP3077
CN5002(A,85,214)	11P SOCKET	XKP3076
CN5003(A,312,191)	PLUG 6-P	KM250NA6L
CN5004(A,176,224)	CONNECTOR POST	B2B-PH
5001(A,160,225)	PCB BINDER	VEF1040

RESISTORS

R 5001(B,192,202)		RS1/16S102J
R 5002(B,180,202)		RS1/16S221J
R 5003(B,177,203)		RS1/16S333J
R 5004(B,192,205)		RS1/16S103J
R 5005(B,170,191)		RS1/16S152J
R 5006(B,168,198)		RS1/16S821J
R 5007(B,191,197)		RS1/16S2001F
R 5008(B,179,194)		RS1/16S682J
R 5009(A,183,193)	CARBON FILM RESISTOR	RD1/2VM473J
R 5010(B,190,183)		RS1/16S151J
R 5011(B,188,184)		RN1/16SE1201D
R 5012(B,162,195)		RS1/16S221J
⚠ R 5013(B,183,150)		RS1/16S330J
R 5021(B,176,153)		RS1/16S101J
R 5022(B,190,153)		RS1/16S101J
⚠ R 5023(A,196,166)	CARBON FILM RESISTOR	RD1/4MUF4R7J
⚠ R 5024(A,162,176)	CARBON FILM RESISTOR	RD1/4MUF4R7J
⚠ R 5025(B,163,156)	CHIP RESISTOR	ACN7132
⚠ R 5026(B,200,156)	CHIP RESISTOR	ACN7132
⚠ R 5027(A,190,166)	RESISTOR (0.18, 5W)	ACN7121
R 5029(B,167,203)		RN1/10SE3302D
R 5030(B,173,203)		RN1/16SE1001D
R 5031(B,173,205)		RN1/16SE1500D
R 5032(B,160,195)		RS1/16S151J
R 5041(B,147,169)		RS1/16S473J
R 5042(B,149,169)		RS1/16S223J
R 5043(B,145,169)		RS1/16S471J
R 5044(B,151,169)		RS1/16S471J
R 5045(B,151,179)		RS1/16S472J
R 5046(B,154,179)		RS1/16S472J
R 5047(B,150,187)		RS1/16S122J
R 5048(B,151,183)		RS1/16S154J

Mark No.	Description	Part No.	Mark No.	Description	Part No.
R 5049(B,154,183)		RS1/16S103J	R 5241(B,237,169)		RS1/16S473J
R 5050(B,152,187)		RS1/16S103J	R 5242(B,239,169)		RS1/16S223J
R 5101(B,139,202)		RS1/16S102J	R 5243(B,235,169)		RS1/16S471J
A					
R 5102(B,126,202)		RS1/16S221J	R 5244(B,241,169)		RS1/16S471J
R 5103(B,123,203)		RS1/16S333J	R 5245(B,240,180)		RS1/16S472J
R 5104(B,139,205)		RS1/16S103J	R 5246(B,242,180)		RS1/16S472J
R 5105(B,116,191)		RS1/16S152J	R 5247(B,240,189)		RS1/16S122J
R 5106(B,115,198)		RS1/16S821J	R 5248(B,237,180)		RS1/16S154J
R 5107(B,138,197)		RS1/16S2001F	R 5249(B,242,184)		RS1/16S103J
R 5108(B,126,194)		RS1/16S682J	R 5250(B,240,184)		RS1/16S103J
R 5109(A,130,193)	CARBON FILM RESISTOR	RD1/2VM473J	△ R 5292(B,300,156)	CHIP RESISTOR	ACN7132
R 5110(B,137,183)		RS1/16S151J	△ R 5613(B,317,154)		RS1/16S330J
R 5111(B,135,184)		RN1/16SE1201D	R 5621(B,312,154)		RS1/16S101J
B					
R 5112(B,109,195)		RS1/16S221J	CAPACITORS		
△ R 5113(B,115,150)		RS1/16S330J	C 5001(A,183,203)		CEAT4R7M50
R 5121(B,108,153)		RS1/16S101J	C 5002(B,177,200)		CCSRCH221J50
R 5122(B,129,150)		RS1/16S101J	C 5004(B,167,194)		CKSRYPB102K50
△ R 5123(A,138,166)	CARBON FILM RESISTOR	RD1/4MUF4R7J	C 5007(A,195,193)		CEAT101M10
△ R 5124(A,108,176)	CARBON FILM RESISTOR	RD1/4MUF4R7J	C 5008(B,164,195)	CAPACITOR(CERAMIC)	ACG7057
△ R 5125(B,99,156)	CHIP RESISTOR	ACN7132	C 5009(A,179,189)	ELECT. CAPACITOR	CEAT100M2A
△ R 5126(B,136,156)	CHIP RESISTOR	ACN7132	C 5011(B,169,142)	CAPACITOR(CERAMIC)	ACG7056
△ R 5127(A,132,166)	RESISTOR (0.18, 5W)	ACN7121	C 5012(B,197,142)	CAPACITOR(CERAMIC)	ACG7056
R 5129(B,113,203)		RN1/10SE3302D	C 5015(B,168,205)		CCSRCH220J50
R 5130(B,119,203)		RN1/16SE1001D	C 5016(B,168,207)		CCSRCH220J50
R 5131(B,119,205)		RN1/16SE1500D	C 5017(A,172,207)		CEAT331M10
R 5132(B,106,195)		RS1/16S151J	C 5023(A,190,180)		CEAT100M63
R 5141(B,93,184)		RS1/16S473J	C 5024(A,166,184)		CEAT100M63
R 5142(B,95,184)		RS1/16S223J	C 5032(B,162,199)		CKSRYPB224K16
R 5143(B,91,184)		RS1/16S471J	C 5041(A,147,190)		CEANP2R2M50
R 5144(B,97,184)		RS1/16S471J	C 5051(A,217,183)	ELECT. CAPACITOR	CEAT100M2A
R 5145(B,93,193)		RS1/16S472J	C 5052(A,222,177)	ELECT. CAPACITOR	CEAT100M2A
R 5146(B,96,193)		RS1/16S472J	C 5101(A,129,203)		CEAT4R7M50
R 5147(B,89,196)		RS1/16S122J	C 5102(B,123,200)		CCSRCH221J50
R 5148(B,95,197)		RS1/16S154J	C 5104(B,113,194)		CKSRYPB102K50
R 5149(B,97,197)		RS1/16S103J	C 5107(A,141,193)		CEAT101M10
R 5150(B,97,202)		RS1/16S103J	C 5108(B,111,195)	CAPACITOR(CERAMIC)	ACG7057
R 5201(B,281,201)		RS1/16S102J	C 5109(A,125,189)	ELECT. CAPACITOR	CEAT100M2A
R 5202(B,268,201)		RS1/16S221J	C 5111(B,101,142)	CAPACITOR(CERAMIC)	ACG7056
R 5203(B,265,202)		RS1/16S333J	C 5112(B,130,142)	CAPACITOR(CERAMIC)	ACG7056
R 5204(B,281,204)		RS1/16S103J	C 5115(B,115,205)		CCSRCH220J50
R 5205(B,258,191)		RS1/16S152J	C 5116(B,115,207)		CCSRCH220J50
R 5206(B,257,198)		RS1/16S821J	C 5117(A,119,207)		CEAT331M10
R 5207(B,279,196)		RS1/16S2001F	C 5123(A,137,180)		CEAT100M63
R 5208(B,268,193)		RS1/16S682J	C 5124(A,112,184)		CEAT100M63
R 5209(A,271,192)	CARBON FILM RESISTOR	RD1/2VM473J	C 5132(B,108,199)		CKSRYPB224K16
R 5210(B,278,183)		RS1/16S151J	C 5141(A,88,191)		CEANP2R2M50
R 5211(B,276,183)		RN1/16SE1201D	C 5201(A,271,202)		CEAT4R7M50
R 5212(B,251,195)		RS1/16S221J	C 5202(B,265,199)		CCSRCH221J50
△ R 5213(B,257,149)		RS1/16S330J	C 5204(B,255,194)		CKSRYPB102K50
R 5221(B,251,153)		RS1/16S101J	C 5207(A,283,192)		CEAT101M10
R 5222(B,265,153)		RS1/16S101J	C 5208(B,253,195)	CAPACITOR(CERAMIC)	ACG7057
△ R 5223(A,280,164)	CARBON FILM RESISTOR	RD1/4MUF4R7J	C 5209(A,267,187)	ELECT. CAPACITOR	CEAT100M2A
△ R 5224(A,249,175)	CARBON FILM RESISTOR	RD1/4MUF4R7J	C 5211(B,243,142)	CAPACITOR(CERAMIC)	ACG7056
△ R 5225(B,238,156)	CHIP RESISTOR	ACN7132	C 5212(B,271,142)	CAPACITOR(CERAMIC)	ACG7056
△ R 5226(B,276,156)	CHIP RESISTOR	ACN7132	C 5215(B,257,204)		CCSRCH220J50
△ R 5227(A,274,165)	RESISTOR (0.18, 5W)	ACN7121	C 5216(B,257,206)		CCSRCH220J50
R 5229(B,255,202)		RN1/10SE3302D	C 5217(A,261,206)		CEAT331M10
R 5230(B,261,202)		RN1/16SE1001D	C 5223(A,287,181)		CEAT100M63
R 5231(B,261,204)		RN1/16SE1500D	C 5224(A,255,184)		CEAT100M63
R 5232(B,248,195)		RS1/16S151J			

Mark No.	Description	Part No.
C 5232(B,250,199)		CKSRYB224K16
C 5241(A,237,192)		CEANP2R2M50
C 5611(B,307,142)	CAPACITOR(CERAMIC)	ACG7056

AE POSI 1-L ASSY

MISCELLANEOUS

△ TH 4501(A,54,223)	POSISTOR	PTFM04BH222Q2N34B0
J 4501(A,66,220)	CONNECTOR ASSY	PG02KS-E07

AF POSI 2-L ASSY

MISCELLANEOUS

△ TH 4502(A,79,235)	POSISTOR	PTFM04BC222Q2N34B0
J 4502(A,76,223)	CONNECTOR ASSY	PG02KS2E07

AG POWER AMP-R ASSY

MISCELLANEOUS

△ IC 5301(A,196,111)	DARLINGTON POWER IC	SAP17N(OY)
△ IC 5302(A,162,111)	DARLINGTON POWER IC	SAP17P(OY)
△ IC 5401(A,128,111)	DARLINGTON POWER IC	SAP17N(OY)
△ IC 5402(A,94,111)	DARLINGTON POWER IC	SAP17P(OY)
△ IC 5501(A,264,111)	DARLINGTON POWER IC	SAP17N(OY)

△ IC 5502(A,230,111)	DARLINGTON POWER IC	SAP17P(OY)
△ IC 5602(A,298,111)	DARLINGTON POWER IC	SAP17P(OY)
Q 5301(B,186,38)	CHIP TRANSISTOR	2SD2704K
Q 5302(B,176,52)	TRANSISTOR	IMT4
Q 5303(B,187,48)	CHIP TRANSISTOR	2SA1514K

△ Q 5304(A,185,62)	TRANSISTOR	2SA1145
Q 5305(A,161,55)	TRANSISTOR	2SC2705
Q 5341(B,146,56)	CHIP TR	2SA1255
Q 5401(B,132,38)	CHIP TRANSISTOR	2SD2704K
Q 5402(B,122,52)	TRANSISTOR	IMT4

Q 5403(B,133,48)	CHIP TRANSISTOR	2SA1514K
△ Q 5404(A,131,62)	TRANSISTOR	2SA1145
Q 5405(A,108,55)	TRANSISTOR	2SC2705
Q 5441(B,91,45)	CHIP TR	2SA1255
Q 5501(B,275,38)	CHIP TRANSISTOR	2SD2704K

Q 5502(B,266,52)	TRANSISTOR	IMT4
Q 5503(B,277,48)	CHIP TRANSISTOR	2SA1514K
△ Q 5504(A,274,63)	TRANSISTOR	2SA1145
Q 5505(A,252,55)	TRANSISTOR	2SC2705
Q 5541(B,239,49)	CHIP TR	2SA1255

Q 5571(B,223,38)	TRANSISTOR	2SC4081
Q 5572(B,220,38)	TRANSISTOR	2SC4081
△ D 5301(B,191,58)	CHIP ZENER DIODE	UDZS3R6(B)
△ D 5302(B,188,58)	DIODE	1SS355
△ D 5303(B,180,62)	DIODE	1SS355

△ D 5304(B,173,62)	DIODE	1SS355
△ D 5305(B,177,62)	DIODE	UDZS4R7(B)
△ D 5306(B,175,62)	DIODE	UDZS4R7(B)
D 5341(B,151,71)	DIODE	1SS355
D 5342(B,149,71)	DIODE	1SS355

D 5343(B,150,50)	DIODE	1SS355
D 5344(B,153,71)	DIODE	1SS355
△ D 5401(B,137,58)	CHIP ZENER DIODE	UDZS3R6(B)
△ D 5402(B,135,58)	DIODE	1SS355
△ D 5403(B,126,62)	DIODE	1SS355

Mark No.	Description	Part No.
△ D 5404(B,119,62)	DIODE	1SS355
△ D 5405(B,124,62)	DIODE	UDZS4R7(B)
△ D 5406(B,122,62)	DIODE	UDZS4R7(B)
D 5441(B,95,58)	DIODE	1SS355
D 5442(B,92,58)	DIODE	1SS355

D 5443(B,94,41)	DIODE	1SS355
D 5444(B,97,58)	DIODE	1SS355
△ D 5501(B,280,59)	CHIP ZENER DIODE	UDZS3R6(B)
△ D 5502(B,277,59)	DIODE	1SS355
△ D 5503(B,267,62)	DIODE	1SS355

△ D 5504(B,261,62)	DIODE	1SS355
△ D 5505(B,265,62)	DIODE	UDZS4R7(B)
△ D 5506(B,263,62)	DIODE	UDZS4R7(B)
D 5541(B,240,71)	DIODE	1SS355
D 5542(B,238,71)	DIODE	1SS355

D 5543(B,240,45)	DIODE	1SS355
D 5544(B,242,73)	DIODE	1SS355
CN5301(A,319,31)	13P SOCKET	XKP3077
CN5302(A,85,45)	11P SOCKET	XKP3076
CN5303(A,312,68)	PLUG 6-P	KM250NA6L

CN5304(A,143,23)	CONNECTOR POST	B2B-PH
5002(A,236,21)	PCB BINDER	VEF1040

RESISTORS

R 5301(B,192,43)		RS1/16S102J
R 5302(B,180,42)		RS1/16S221J
R 5303(B,177,41)		RS1/16S333J
R 5304(B,192,40)		RS1/16S103J
R 5305(B,170,55)		RS1/16S152J

R 5306(B,168,47)		RS1/16S821J
R 5307(B,190,48)		RS1/16S2001F
R 5308(B,179,54)		RS1/16S682J
R 5309(A,183,48)	CARBON FILM RESISTOR	RD1/2VM473J
R 5310(B,191,62)		RS1/16S151J

R 5311(B,188,62)		RN1/16SE1201D
R 5312(B,162,51)		RS1/16S221J
△ R 5313(B,183,97)		RS1/16S330J
R 5321(B,190,93)		RS1/16S101J
R 5322(B,176,93)		RS1/16S101J

△ R 5323(A,196,79)	CARBON FILM RESISTOR	RD1/4MUF4R7J
△ R 5324(A,161,70)	CARBON FILM RESISTOR	RD1/4MUF4R7J
△ R 5325(B,203,91)	CHIP RESISTOR	ACN7132
△ R 5326(B,166,91)	CHIP RESISTOR	ACN7132
△ R 5327(A,172,80)	RESISTOR (0.18, 5W)	ACN7121

R 5329(B,168,44)		RN1/10SE3302D
R 5330(B,173,45)		RN1/16SE1001D
R 5331(B,173,43)		RN1/16SE1500D
R 5332(B,160,51)		RS1/16S151J
R 5341(B,150,75)		RS1/16S473J

R 5342(B,148,75)		RS1/16S223J
R 5343(B,153,75)		RS1/16S471J
R 5344(B,146,75)		RS1/16S471J
R 5345(B,152,65)		RS1/16S472J
R 5346(B,149,65)		RS1/16S472J

R 5347(B,145,62)		RS1/16S122J
R 5348(B,148,61)		RS1/16S154J
R 5349(B,150,61)		RS1/16S103J
R 5350(B,150,55)		RS1/16S103J
R 5401(B,139,43)		RS1/16S102J

Mark No.	Description	Part No.
R	5402(B,126,42)	RS1/16S221J
R	5403(B,123,41)	RS1/16S333J
R	5404(B,139,40)	RS1/16S103J
R	5405(B,116,55)	RS1/16S152J
R	5406(B,114,47)	RS1/16S821J
R	5407(B,137,48)	RS1/16S2001F
R	5408(B,126,54)	RS1/16S682J
R	5409(A,129,48) CARBON FILM RESISTOR	RD1/2VM473J
R	5410(B,137,62)	RS1/16S151J
R	5411(B,135,62)	RN1/16SE1201D
R	5412(B,109,51)	RS1/16S221J
△	5413(B,115,97)	RS1/16S330J
R	5421(B,128,93)	RS1/16S101J
R	5422(B,108,93)	RS1/16S101J
B	△ 5423(A,138,80) CARBON FILM RESISTOR	RD1/4MUF4R7J
△	5424(A,107,70) CARBON FILM RESISTOR	RD1/4MUF4R7J
△	5425(B,135,91) CHIP RESISTOR	ACN7132
△	5426(B,99,91) CHIP RESISTOR	ACN7132
△	5427(A,114,80) RESISTOR (0.18, 5W)	ACN7121
R	5429(B,114,44)	RN1/10SE3302D
R	5430(B,119,45)	RN1/16SE1001D
R	5431(B,119,43)	RN1/16SE1500D
R	5432(B,106,51)	RS1/16S151J
R	5441(B,95,63)	RS1/16S473J
R	5442(B,93,63)	RS1/16S223J
R	5443(B,97,63)	RS1/16S471J
R	5444(B,91,63)	RS1/16S471J
R	5445(B,96,54)	RS1/16S472J
R	5446(B,92,54)	RS1/16S472J
R	5447(B,88,49)	RS1/16S122J
R	5448(B,94,50)	RS1/16S154J
R	5449(B,96,50)	RS1/16S103J
R	5450(B,96,46)	RS1/16S103J
R	5501(B,283,44)	RS1/16S102J
R	5502(B,270,42)	RS1/16S221J
R	5503(B,267,41)	RS1/16S333J
R	5504(B,283,40)	RS1/16S103J
R	5505(B,260,55)	RS1/16S152J
R	5506(B,258,47)	RS1/16S821J
R	5507(B,281,48)	RS1/16S2001F
R	5508(B,270,54)	RS1/16S682J
R	5509(A,273,48) CARBON FILM RESISTOR	RD1/2VM473J
R	5510(B,280,63)	RS1/16S151J
R	5511(B,277,63)	RN1/16SE1201D
R	5512(B,253,51)	RS1/16S221J
△	5513(B,257,97)	RS1/16S330J
R	5521(B,268,94)	RS1/16S101J
R	5522(B,251,93)	RS1/16S101J
△	5523(A,280,82) CARBON FILM RESISTOR	RD1/4MUF4R7J
△	5524(A,250,70) CARBON FILM RESISTOR	RD1/4MUF4R7J
△	5525(B,277,91) CHIP RESISTOR	ACN7132
△	5526(B,241,91) CHIP RESISTOR	ACN7132
△	5527(A,256,80) RESISTOR (0.18, 5W)	ACN7121
R	5529(B,258,44)	RN1/10SE3302D
R	5530(B,263,45)	RN1/16SE1001D
R	5531(B,263,43)	RN1/16SE1500D
R	5532(B,250,51)	RS1/16S151J
R	5541(B,241,77)	RS1/16S473J
R	5542(B,235,77)	RS1/16S223J
R	5543(B,239,77)	RS1/16S471J

Mark No.	Description	Part No.
R	5544(B,237,77)	RS1/16S471J
R	5545(B,240,64)	RS1/16S472J
R	5546(B,238,64)	RS1/16S472J
R	5547(B,238,57)	RS1/16S122J
R	5548(B,235,68)	RS1/16S154J
R	5549(B,236,64)	RS1/16S103J
R	5550(B,242,46)	RS1/16S103J
R	5571(B,226,38)	RS1/16S472J
△	R 5592(B,301,91) CHIP RESISTOR	ACN7132
R	5622(B,311,93)	RS1/16S101J

CAPACITORS

C	5301(A,183,43)	CEAT4R7M50
C	5302(B,177,43)	CCSRCH221J50
C	5304(B,167,51)	CKSRYB102K50
C	5307(A,195,53)	CEAT101M10
C	5308(B,164,51) CAPACITOR(CERAMIC)	ACG7057
C	5309(A,179,58) ELECT. CAPACITOR	CEAT100M2A
C	5311(B,197,104) CAPACITOR(CERAMIC)	ACG7056
C	5312(B,170,104) CAPACITOR(CERAMIC)	ACG7056
C	5315(B,168,41)	CCSRCH220J50
C	5316(B,168,39)	CCSRCH220J50
C	5317(A,172,39)	CEAT331M10
C	5323(A,190,66)	CEAT100M63
C	5324(A,165,62)	CEAT100M63
C	5332(B,162,47)	CKSRYB224K16
C	5341(A,145,66)	CEANP2R2M50
C	5351(A,226,68) ELECT. CAPACITOR	CEAT100M2A
C	5352(A,222,62) ELECT. CAPACITOR	CEAT100M2A
C	5401(A,129,43)	CEAT4R7M50
C	5402(B,123,43)	CCSRCH221J50
C	5404(B,113,51)	CKSRYB102K50
C	5407(A,141,53)	CEAT101M10
C	5408(B,111,51) CAPACITOR(CERAMIC)	ACG7057
C	5409(A,125,58) ELECT. CAPACITOR	CEAT100M2A
C	5411(B,130,104) CAPACITOR(CERAMIC)	ACG7056
C	5412(B,101,104) CAPACITOR(CERAMIC)	ACG7056
C	5415(B,114,41)	CCSRCH220J50
C	5416(B,114,39)	CCSRCH220J50
C	5417(A,119,39)	CEAT331M10
C	5423(A,137,66)	CEAT100M63
C	5424(A,111,62)	CEAT100M63
C	5432(B,108,47)	CKSRYB224K16
C	5441(A,88,53)	CEANP2R2M50
C	5501(A,273,43)	CEAT4R7M50
C	5502(B,267,43)	CCSRCH221J50
C	5504(B,257,51)	CKSRYB102K50
C	5507(A,284,54)	CEAT101M10
C	5508(B,255,51) CAPACITOR(CERAMIC)	ACG7057
C	5509(A,267,58) ELECT. CAPACITOR	CEAT100M2A
C	5511(B,271,104) CAPACITOR(CERAMIC)	ACG7056
C	5512(B,243,104) CAPACITOR(CERAMIC)	ACG7056
C	5515(B,258,41)	CCSRCH220J50
C	5516(B,258,39)	CCSRCH220J50
C	5517(A,263,39)	CEAT331M10
C	5523(A,289,64)	CEAT100M63
C	5524(A,254,62)	CEAT100M63
C	5532(B,252,47)	CKSRYB224K16
C	5541(A,238,54)	CEANP2R2M50
C	5571(A,229,35)	CEAT331M10

Mark No.	Description	Part No.
C 5612(B,307,104)	CAPACITOR(CERAMIC)	ACG7056

AH POSI 1-R ASSY

MISCELLANEOUS

△ TH 4503(A,54,235)	POSISTOR	PTFM04BH222Q2N34B0
J 4551(A,66,232)	CONNECTOR ASSY	PG02KS-E07

AI POWER AMP IN ASSY

MISCELLANEOUS

Q 5601(B,58,86)	CHIP TRANSISTOR	2SD2704K
Q 5602(B,46,41)	TRANSISTOR	IMT4
Q 5603(B,42,54)	CHIP TRANSISTOR	2SA1514K
△ Q 5604(A,32,55)	TRANSISTOR	2SA1145
Q 5605(A,33,38)	TRANSISTOR	2SC2705
Q 5641(B,11,26)	CHIP TR	2SA1255
△ D 5601(B,35,57)	CHIP ZENER DIODE	UDZS3R6(B)
△ D 5602(B,35,53)	DIODE	1SS355
△ D 5603(B,26,49)	DIODE	1SS355
△ D 5604(B,23,44)	DIODE	1SS355
△ D 5605(B,23,47)	DIODE	UDZS4R7(B)
△ D 5606(B,21,42)	DIODE	UDZS4R7(B)
D 5641(B,18,23)	DIODE	1SS355
D 5642(B,20,23)	DIODE	1SS355
D 5643(B,13,21)	DIODE	1SS355
D 5644(B,28,23)	DIODE	1SS355
CN5601(A,71,64)	13P PLUG	XKP3066
CN5602(A,56,31)	13P PLUG	XKP3066
CN5603(A,76,131)	19P CONNECTOR	52044-1945
CN5605(A,47,65)	SOCKET 6-P	KP250NA6
CN5606(A,34,31)	SOCKET 6-P	KP250NA6
5604(A,7,50)	5P CABLE HOLDER	51048-0500

RESISTORS

R 5601(B,58,93)		RS1/16S102J
R 5602(B,54,41)		RS1/16S221J
R 5603(B,52,41)		RS1/16S333J
R 5604(B,57,82)		RS1/16S103J
R 5605(B,46,36)		RS1/16S152J
R 5606(B,41,38)		RS1/16S821J
R 5607(B,42,59)		RS1/16S2001F
R 5608(B,42,42)		RS1/16S682J
R 5609(A,32,46)	CARBON FILM RESISTOR	RD1/2VM473J
R 5610(B,30,59)		RS1/16S151J
R 5611(B,33,59)		RN1/16SE1201D
R 5612(B,33,34)		RS1/16S221J
△ R 5623(A,65,58)	CARBON FILM RESISTOR	RD1/4MUF4R7J
△ R 5624(A,65,40)	CARBON FILM RESISTOR	RD1/4MUF4R7J
△ R 5627(A,19,56)	RESISTOR (0.18, 5W)	ACN7121
R 5629(B,47,48)		RN1/10SE3302D
R 5630(B,49,46)		RN1/16SE1001D
R 5631(B,49,51)		RN1/16SE1500D
R 5632(B,30,36)		RS1/16S151J
R 5641(B,14,43)		RS1/16S473J
R 5642(B,17,33)		RS1/16S223J
R 5643(B,14,33)		RS1/16S471J
R 5644(B,15,38)		RS1/16S471J
R 5645(B,18,28)		RS1/16S472J
R 5646(B,20,28)		RS1/16S472J

Mark No.	Description	Part No.
R 5647(B,10,33)		RS1/16S122J
R 5648(B,45,25)		RS1/16S154J
R 5649(B,49,26)		RS1/16S103J
R 5650(B,51,26)		RS1/16S103J

CAPACITORS

C 5601(A,53,45)		CEAT4R7M50
C 5602(B,50,41)		CCSRCH221J50
C 5604(B,44,36)		CKSRYB102K50
C 5607(A,38,57)		CEAT101M10
C 5608(B,36,42)	CAPACITOR(CERAMIC)	ACG7057
C 5609(A,27,51)	ELECT. CAPACITOR	CEAT100M2A
C 5615(B,45,47)		CCSRCH220J50
C 5616(B,42,49)		CCSRCH220J50
C 5617(A,47,52)		CEAT331M10
C 5623(A,69,58)		CEAT100M63
C 5624(A,69,42)		CEAT100M63
C 5632(B,28,39)		CKSRYB224K16
C 5641(A,12,35)		CEANP2R2M50

AJ POWER PROTECT ASSY

MISCELLANEOUS

IC 5701(B,19,110)	OP-AMP IC	BA4560RF
Q 5701(B,26,161)	TRANSISTOR	RT1N241M
Q 5702(B,16,161)	DIGITAL TR(SC-70)	RT1P241M
Q 5703(B,16,151)	TRANSISTOR	RT1N241M
Q 5704(B,33,100)	TRANSISTOR	2SC4081
Q 5705(B,23,161)	TRANSISTOR	RT1N241M
Q 5706(B,12,161)	DIGITAL TR(SC-70)	RT1P241M
D 5701(B,23,94)	DIODE	1SS355
D 5702(B,30,205)	DIODE	1SS355
CN5701(A,28,171)	11P PLUG	XKP3065
CN5702(A,15,138)	11P PLUG	XKP3065
CN5703(A,8,85)	19P CONNECTOR	52044-1945
CN5704(A,37,83)	CONNECTOR	S5B-PH
CN5705(A,30,223)	17P CONNECTOR	52044-1745
CN5706(A,38,222)	3PIN CONNECTOR	S3B-EH

RESISTORS

R 5701(B,23,151)		RS1/16S562J
R 5702(B,21,151)		RS1/16S562J
R 5703(B,10,181)		RS1/16S473J
R 5705(B,18,187)		RS1/16SOR0J
R 5706(B,19,151)		RS1/16S822J
R 5707(B,18,181)		RS1/16S473J
R 5708(B,13,187)		RS1/16SOR0J
R 5710(B,17,118)		RS1/16S223J
R 5711(B,13,112)		RS1/16S103J
R 5712(B,13,108)		RS1/16S472J
R 5713(B,23,106)		RS1/16S103J
R 5714(B,24,131)		RS1/16S102J
R 5715(B,27,101)		RS1/16S473J
R 5716(B,29,101)		RS1/16S472J
R 5717(B,33,95)		RS1/16S103J
R 5718(B,30,210)		RS1/16S104J
R 5720(B,31,95)		RS1/16S103J
R 5721(B,29,95)		RS1/16S683J
R 5746(B,20,181)		RS1/16SOR0J
R 5747(B,18,161)		RS1/16SOR0J

<u>Mark No.</u>	<u>Description</u>	<u>Part No.</u>	<u>Mark No.</u>	<u>Description</u>	<u>Part No.</u>
				CN1001(A,103,64) 9P SOCKET	XKP3075
R	5750(B,35,95)	RS1/16S0R0J			
R	5751(B,26,131)	RS1/16S0R0J		CN1002(A,69,64) 23P SOCKET	XKP3082
A	R 5752(B,25,101)	RS1/16S0R0J		CN1003(A,110,21) 9P CONNECTOR	52044-0945

CAPACITORS

C	5701(B,13,181)	CKSRYB104K50
C	5702(B,15,181)	CKSRYB104K50
C	5703(B,23,110)	CKSRYB103K50
C	5704(B,23,114)	CKSRYB103K50
C	5705(B,31,101)	CKSRYB223K50
C	5706(B,37,217)	CKSRYB103K50

RESISTORS

R	101 (A,28,44)	RS1/16S102J
R	102 (A,40,43)	RS1/16S4701F
R	109 (A,43,60)	RS1/16S332J
R	110 (A,42,57)	RS1/16S682J
R	111 (A,46,61)	RS1/10S181J
R	115 (A,40,57)	RS1/16S103J
R	121 (A,39,39)	RS1/16S473J
R	122 (A,44,14)	RS1/16S0R0J
R	123 (A,45,16)	RS1/16S103J
R	124 (A,45,15)	RS1/16S103J

AK HDMI ASSY**MISCELLANEOUS**

IC	101 (A,35,50) HDMI/DVI CABLE EQ	CXB1442AR	R	125 (A,44,10)	RS1/16S0R0J
IC	102 (A,43,33) IC	TC7MB3257FK	R	129 (A,44,12)	RS1/16S0R0J
IC	103 (A,40,11) I2C BUS REPEATER IC	PCA9515ADP	R	130 (A,44,11)	RS1/16S0R0J
IC	401 (A,62,35) VIDEO DECODER IC	ADV7180BSTZ	R	151 (A,28,72)	RS1/16S102J
IC	402 (A,76,29) LOGIC IC	TC7WZU04FU	R	152 (A,18,53)	RS1/16S102J
IC	701 (A,86,36) VIDEO ENCODER IC	ADV7172KSTZ	R	153 (A,25,71)	RS1/16S473J
△ IC	901 (A,99,18) REGULATOR IC	NJM2845DL1-33	R	154 (A,39,26)	RS1/16S473J
△ IC	902 (A,78,13) REGULATOR IC	MM1591JF	R	191 (A,25,74)	RS1/16S0R0J
△ IC	911 (A,44,21) REGULATOR IC	NJM2872BF05	R	192 (A,25,73)	RS1/16S0R0J
Q	101 (A,46,65) CHIP TRANSISTOR	2SB1689	R	351 (A,35,12)	RS1/16S332J
Q	102 (A,45,58) DIGITAL TR(SC-70)	RT1N431M	R	352 (A,35,10)	RS1/16S332J
Q	121 (A,42,39) TRANSISTOR	RT1N241M	R	386 (A,103,61)	RS1/16S473J
Q	151 (A,22,70) TRANSISTOR	RT1N241M	R	389 (A,105,61)	RS1/16S102J
Q	152 (A,18,51) TRANSISTOR	RT1N241M	R	391 (A,23,30)	RS1/16S0R0J
Q	153 (A,31,72) DIGITAL TR(SC-70)	RT1P241M	R	392 (A,23,28)	RS1/16S0R0J
Q	154 (A,22,48) DIGITAL TR(SC-70)	RT1P241M	R	403 (A,61,24) RESISTOR ARRAY	RAB4CQ470J
Q	155 (A,29,69) TRANSISTOR	RT1N241M	R	404 (A,63,23)	RS1/16S470J
Q	156 (A,22,51) TRANSISTOR	RT1N241M	R	405 (A,70,30)	RS1/16S470J
Q	451 (A,100,55) CHIP TRANSISTOR	HN1C01FU	R	406 (A,68,43)	RS1/10S0R0J
Q	731 (A,75,58) TRANSISTOR	2SA1576A	R	407 (A,50,42)	RS1/10S0R0J
Q	741 (A,78,53) TRANSISTOR	2SA1576A	R	408 (A,73,36)	RS1/16S132J
Q	751 (A,83,58) TRANSISTOR	2SA1576A	R	409 (A,72,36)	RS1/16S391J
Q	761 (A,86,53) TRANSISTOR	2SA1576A	R	410 (A,74,48)	RS1/10S0R0J
Q	771 (A,91,58) TRANSISTOR	2SA1576A	R	411 (A,49,57)	RS1/10S0R0J
Q	781 (A,94,53) TRANSISTOR	2SA1576A	R	412 (A,50,38)	RS1/16S332J
D	381 (A,106,60) DIODE	UDZS5R1(B)	R	413 (A,47,37)	RS1/16S103J
L	101 (A,45,67) CHIP BEADS	ATL7010	R	414 (A,76,26)	RS1/16S105J
△ L	351 (A,24,11) COIL COIL	ATH7022	R	415 (A,72,26)	RS1/16S151J
△ L	352 (A,24,15) COIL COIL	ATH7022	R	416 (A,73,33)	RS1/16S101J
△ L	353 (A,24,18) COIL COIL	ATH7022	R	419 (A,50,35)	RS1/16S470J
△ L	354 (A,24,22) COIL COIL	ATH7022	R	420 (A,50,34)	RS1/16S470J
L	401 (A,64,16) CHIP BEADS	ATL7010	R	421 (A,53,31) RESISTOR ARRAY	RAB4CQ470J
L	402 (A,74,41) CHIP SOLID INDUCTOR	QTL1013	R	424 (A,51,38)	RS1/16S682J
L	403 (A,54,15) CHIP BEADS	ATL7010	R	451 (A,101,51)	RS1/16S103J
L	404 (A,61,59) CHIP BEADS	ATL7010	R	452 (A,101,49)	RS1/16S222J
L	417 (A,72,30) CHIP SOLID INDUCTOR	QTL1013	R	453 (A,104,55)	RS1/16S103J
L	701 (A,104,46) CHIP BEADS	ATL7010	R	454 (A,101,48)	RS1/16S222J
L	702 (A,102,46) CHIP BEADS	ATL7010	R	702 (A,93,32)	RS1/16S103J
L	1001(A,94,24) CHIP BEADS	ATL7010	R	704 (A,95,32)	RS1/16S103J
L	1002(A,99,23) CHIP BEADS	ATL7010	R	705 (A,96,32)	RS1/16S103J
JA	101 (A,15,63) HDMI CONNECTOR	AKP1318	R	706 (A,98,32)	RS1/16S103J
JA	102 (A,15,41) HDMI CONNECTOR	AKP1318	R	707 (A,95,36)	RS1/16S470J
JA	301 (A,15,19) HDMI CONNECTOR	AKP1318	R	708 (A,94,38)	RS1/16S470J
X	401 (A,74,21) CRYSTAL RESONATOR	ASS7069	R	709 (A,94,40)	RS1/16S1201F

<u>Mark No.</u>	<u>Description</u>	<u>Part No.</u>
C 766 (A,57,40)		CKSSYB471K50
C 767 (A,90,55)		CKSSYB104K10
C 768 (A,90,54)		CKSSYB471K50
C 769 (A,43,55)		CKSRYB104K16
C 771 (A,71,25)		CKSQYB105K16
C 773 (A,64,23)		CKSRYB104K16
C 952 (A,57,17)		CKSRYB104K16

FM/AM TUNER UNIT

FM/AM TUNER UNIT has no service part.