

Pioneer

Service Manual

ORDER NO.
RRV4177

AUDIO/VIDEO MULTI-CHANNEL RECEIVER

VSX-1026-K

VSX-926-K

THIS MANUAL IS APPLICABLE TO THE FOLLOWING MODEL(S) AND TYPE(S).

Model	Type	Power Requirement	Remarks
VSX-1026-K	CUXCN	AC 120 V	
VSX-926-K	CUXCN	AC 120 V	

This service manual should be used together with the following manual(s).

Model No.	Order No.	Remarks
VSX-1021-K/UXCNCB	RRV4176	

For SPECIFICATIONS and PANEL FACILITIES, refer to the operating instructions.

1. CONTRAST OF MISCELLANEOUS PARTS

NOTES: ● Parts marked by "NSP" are generally unavailable because they are not in our Master Spare Parts List.

● The Δ mark found on some component parts indicates the importance of the safety factor of the part. Therefore, when replacing, be sure to use parts of identical designation.

● Screws adjacent to ∇ mark on product are used for disassembly.

● For the applying amount of lubricants or glue, follow the instructions in this manual. (In the case of no amount instructions, apply as you think it appropriate.)

● Nos. indicate the pages and Nos. in the service manual for the base model.

● When ordering resistors, first convert resistance values into code form as shown in the following examples.

Ex.1 When there are 2 effective digits (any digit apart from 0), such as 560 ohm and 47k ohm (tolerance is shown by J=5%, and K=10%).

560 Ω \rightarrow 56 x 10¹ \rightarrow 561 RD1/4PU5 6 1 J
 47k Ω \rightarrow 47 x 10³ \rightarrow 473 RD1/4PU4 7 3 J
 0.5 Ω \rightarrow R50 RN2H 5 0 K
 1 Ω \rightarrow 1R0 RS1P 1 R 0 K

Ex.2 When there are 3 effective digits (such as in high precision metal film resistors).

5.62k Ω \rightarrow 562 x 10¹ \rightarrow 5621 RN1/4PC 5 6 2 1 F

CONTRAST TABLE

VSX-1021-K/UXCNB, VSX-1026-K/CUXCN and VSX-926-K/CUXCN are constructed the same except for the following:

Mark	No.	Symbol and Description	VSX-1021-K/UXCNB	VSX-1026-K/CUXCN	VSX-926-K/CUXCN	Remarks
PCB ASSEMBLIES						
NSP	P52-1	1..MAIN ASSY	7025HK1009010-IL	7025HK1009060-IL	7025HK1010070-IL	
		2..MAIN ASSY	70280702710J0-IL	70280702710K0-IL	70280702710J0-IL	
NSP	P52-7	1..D-MAIN ASSY	7025HK1009011-IL	7025HK1009061-IL	7025HK1010075-IL	
		2..D-MAIN ASSY	7028070351010-IL	70280703510D0-IL	7028070351040-IL	
NSP	P52-8 P52-11 P52-12	1...FRONT ASSY	7025HK1009012-IL	7025HK1009062-IL	7025HK1010071-IL	
		2..FRONT ASSY	7028070301010-IL	70280703010D0-IL	7028070301090-IL	
		2..F-V ASSY	7028070304040-IL	7028070304030-IL	7028070304040-IL	No. 68
		2..HP ASSY	7028070306010-IL	7028070306020-IL	7028070306010-IL	
NSP		1..AUDIO ASSY	7025HK1009013-IL	7025HK1009063-IL	7025HK1010072-IL	*1
NSP	P52-17	1..IR ASSY	7025HK1009014-IL	7025HK1009064-IL	7025HK1010073-IL	
		2..BR ASSY	7028070324010-IL	7028070324010-IL	7028070324020-IL	
NSP		1..F-USB ASSY	7025HK1009015-IL	7025HK1009065-IL	7025HK1010074-IL	*2
NSP	P52-19	1..VIDEO ASSY	7025HK1009018-IL	7025HK1009068-IL	7025HK1010077-IL	
		2..VIDEO ASSY	7028070261010-IL	7028070261010-IL	7028070261020-IL	
NSP		1..AMP7 ASSY	7025HK1009077-IL	7025HK1009067-IL	7025HK1010076-IL	*3
NSP		1..F-HDMI ASSY	Not used	7025HK1009066-IL	Not used	
		2..F-HDMI ASSY	Not used	7028070341010-IL	Not used	No. 69
PACKING SECTION						
	P49-6	Operating Instructions (En/Es)	5707000004890-IL	Not used	Not used	
	P49-6	Operating Instructions (En/Frca)	Not used	5707000004900-IL	5707000004900-IL	
	P49-7	CD-ROM (AVNavigator)	6517000000120-IL	6517000000130-IL	6517000000350-IL	
	P49-8	Box, Gift	6007211820000-IL	6007211820050-IL	60072118200E0-IL	
EXTERIOR SECTION						
	P52-37	Back Chassis	3207213766000-IL	3207213766010-IL	3207213756000-IL	
	P52-38	Foot	4007210391000-IL	4000210391000-IL	4000210391000-IL	
	P52-47	F Input Sheet	1217211472000-IL	1217211162020-IL	1217211472000-IL	
	P52-48	Front Panel	3067215091030-IL	3067215111000-IL	3067215091020-IL	
		Front HDMI Shield	Not used	4470212086000-IL	Not used	No. 70
		HDMI Cable	Not used	ADX7732	Not used	No. 71

Notes : The numbers in the remarks column correspond to the numbers on the "EXPLODED VIEWS".

For PCB ASSEMBLIES, Refer to "CONTRAST OF PCB ASSEMBLIES", "PCB PARTS LIST", "2. SCHEMATIC DIAGRAM", and "3. PCB CONNECTION DIAGRAM".

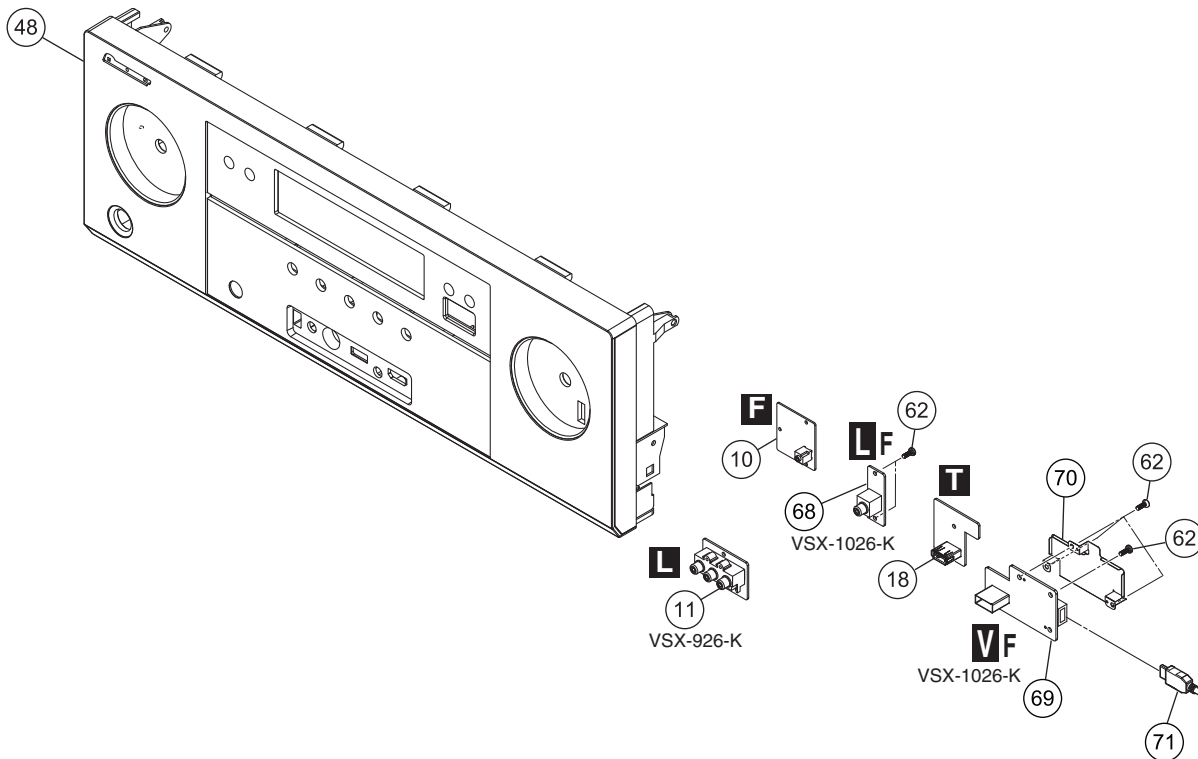
*1 : Although 7025HK1009013-IL, 7025HK1009063-IL and 7025HK1010072-IL are different in part number, they have the same service parts.

*2 : Although 7025HK1009015-IL, 7025HK1009065-IL and 7025HK1010074-IL are different in part number, they have the same service parts.

*3 : Although 7025HK1009077-IL, 7025HK1009067-IL and 7025HK1010076-IL are different in part number, they have the same service parts.

EXPLODED VIEWS

EXTERIOR SECTION



CONTRAST OF PCB ASSEMBLIES

CF MAIN ASSY

70280702710J0-IL and 70280702710K0-IL are constructed the same except for the following:

Mark	Symbol and Description	70280702710J0-IL	70280702710K0-IL	Remarks
	CN9010 CN,WIRE	L002151050160-IL	L002900020070-IL	
	CN9007 CN.WAFER 2.0mm	L101200100510-IL	L101200100310-IL	

EF HP ASSY

7028070306010-IL, and 7028070306020-IL are constructed the same except for the following:

Mark	Symbol and Description	7028070306010-IL	7028070306020-IL	Remarks
	CN721 CN,WIRE 2mm	L002361042420-IL	L002371040010-IL	

KF VIDEO ASSY

7028070261010-IL and 7028070261020-IL are constructed the same except for the following:

Mark	Symbol and Description	7028070261010-IL	7028070261020-IL	Remarks
	IC1007	PDC162A	Not used	
	Q1012	J520015301210-IL	Not used	
	Q1013	J522305200050-IL	Not used	
	L1002 COIL,FILTER-INDUCTOR	D330330700520-IL	Not used	
	X1003 CRYSTAL	E80014R318080-IL	Not used	
	JA1001 TER,RCA 9pin	G607902AD132Y-IL	G603610D0400Y-IL	

MF FRONT ASSY

7028070301010-IL, 70280703010D0-IL and 7028070301090-IL are constructed the same except for the following:

Mark	Symbol and Description	7028070301010-IL	70280703010D0-IL	7028070301090-IL	Remarks
	CN3002 CN.WAFER 2.0mm	Not used	L101200100420-IL	Not used	

The mounting positions of the additional parts are described in the circuit diagram and PCB diagram of the parent manual.

RF BR ASSY

7028070324010-IL, and 7028070324020-IL are constructed the same except for the following:

Mark	Symbol and Description	7028070324010-IL	7028070324020-IL	Remarks
	IC2802	J121456000080-IL	Not used	

SF D-MAIN ASSY

7028070351010-IL, 70280703510D0-IL and 7028070351040-IL are constructed the same except for the following:

Mark	Symbol and Description	7028070351010-IL	70280703510D0-IL	7028070351040-IL	Remarks
	IC902, IC906	S-24CS02AFT	S-24CS02AFT	Not used	
	IC904, IC908	TC7MB3257FK	TC7MB3257FK	Not used	
	IC905	CXB1444R-K	CXB1444R-K	Not used	
	IC1802	AK4388ET	AK4388ET	Not used	
	IC1803	IDT6V60008DCG	IDT6V60008DCG	Not used	
	Q902, Q904	J522011400020-IL	J522011400020-IL	Not used	
	Q903	UM6K1N	UM6K1N	Not used	
	D901, D903	DAN202U	DAN202U	Not used	
	L907	D340212561010-IL	D340212561010-IL	Not used	
	L1805, L1819, L1820 COIL,BEAD	D340160851020-IL	D340160851020-IL	Not used	
	L1812 COIL,BEAD	D340100561210-IL	D340100561210-IL	Not used	
	JA1801 2P PIN JACK	G601206A0700Y-IL	G601206A0700Y-IL	Not used	
	JA906 CN.WAFER	L109100190160-IL	L109100190160-IL	Not used	
	JA905 CN.WAFER	Not used	L109100190170-IL	Not used	
	JA1802 TER,RCA 1pin	Not used	Not used	G60011703000Y-IL	

The mounting positions of the additional parts are described in the circuit diagram and PCB diagram of the parent manual.

PCB PARTS LIST

Mark	No.	Description	Part No.	Mark	No.	Description	Part No.
				JA 1004		CN.WAFER	L109100190170-IL
				JA 7501		CN.WAFER	L109100190060-IL
				CN 3005		CN,WIRE 2MM	L002161040130-IL
	J	3652 CN,WIRE 2MM	L002431030040-IL				
	JA	3656 TER,RCA 1PIN	G600101HG000Y-IL				

LF F-V ASSY (VSX-1026-K)

MISCELLANEOUS

J	3652	CN,WIRE 2MM	L002431030040-IL
JA	3656	TER,RCA 1PIN	G600101HG000Y-IL

VF F-HDMI ASSY (VSX-1026-K)

SEMICONDUCTORS

IC	7501	S-24CS02AFT	
IC	7502	TC7MB3257FK	
IC	7503	CXB1443R	
△ IC	7504	J126111700041-IL	
Q	7501-7503	J522104411210-IL	
D	7501,7502	RB521S-30	
D	7551	K005041480030-IL	

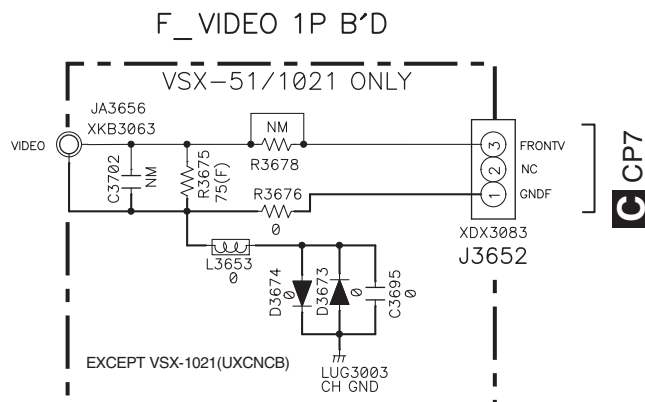
MISCELLANEOUS

L	7510	CHIP BEAD	D340212561010-IL
L	7512-7515,7521,7601	CHIP BEAD	D340160811210-IL
L	7519,7520	CHIP BEAD	D340100561020-IL

2. SCHEMATIC DIAGRAM

2.1 F-V ASSY (VSX-1026-K)

F F-V ASSY (7028070304030-IL)



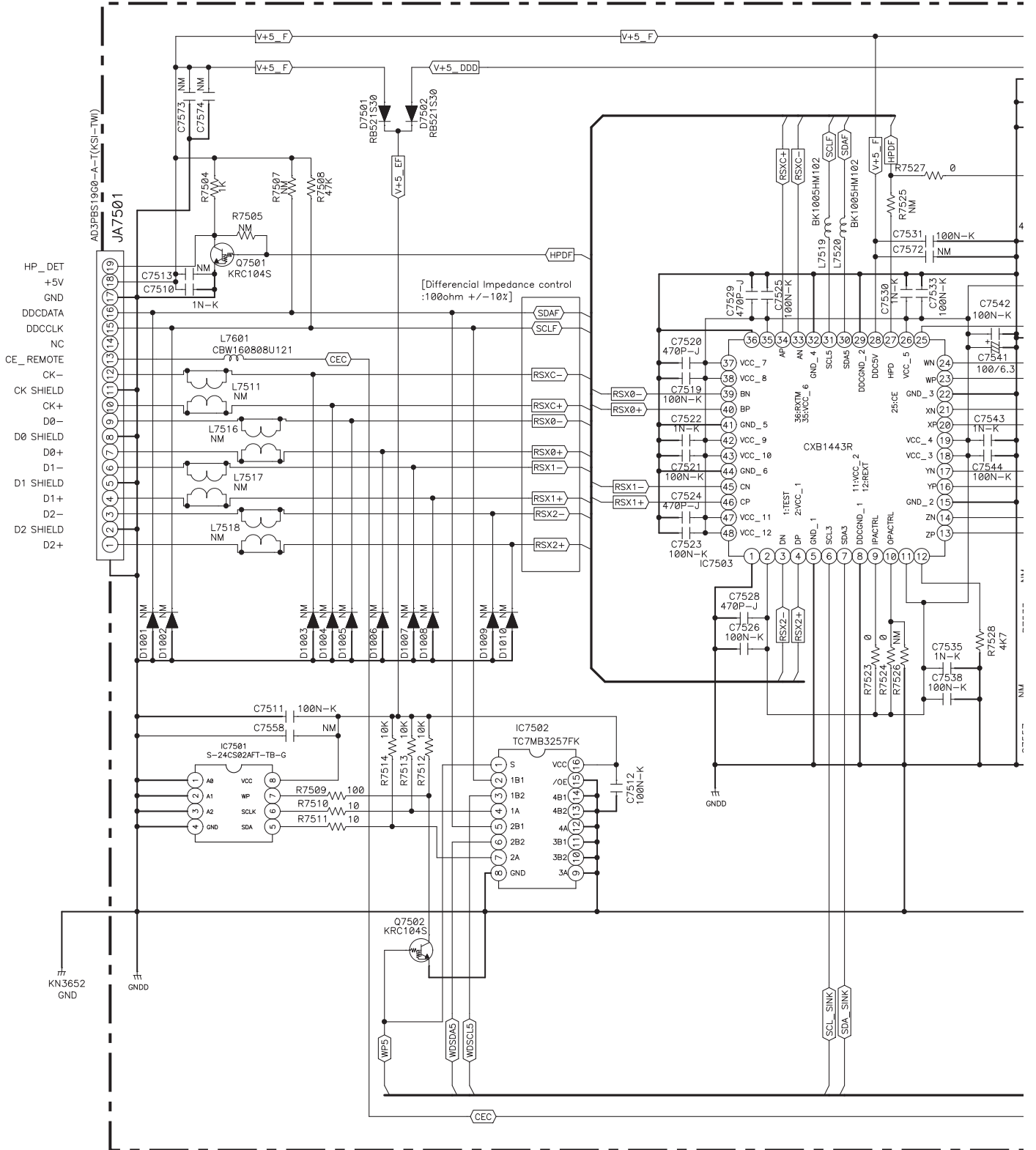
L F

L F

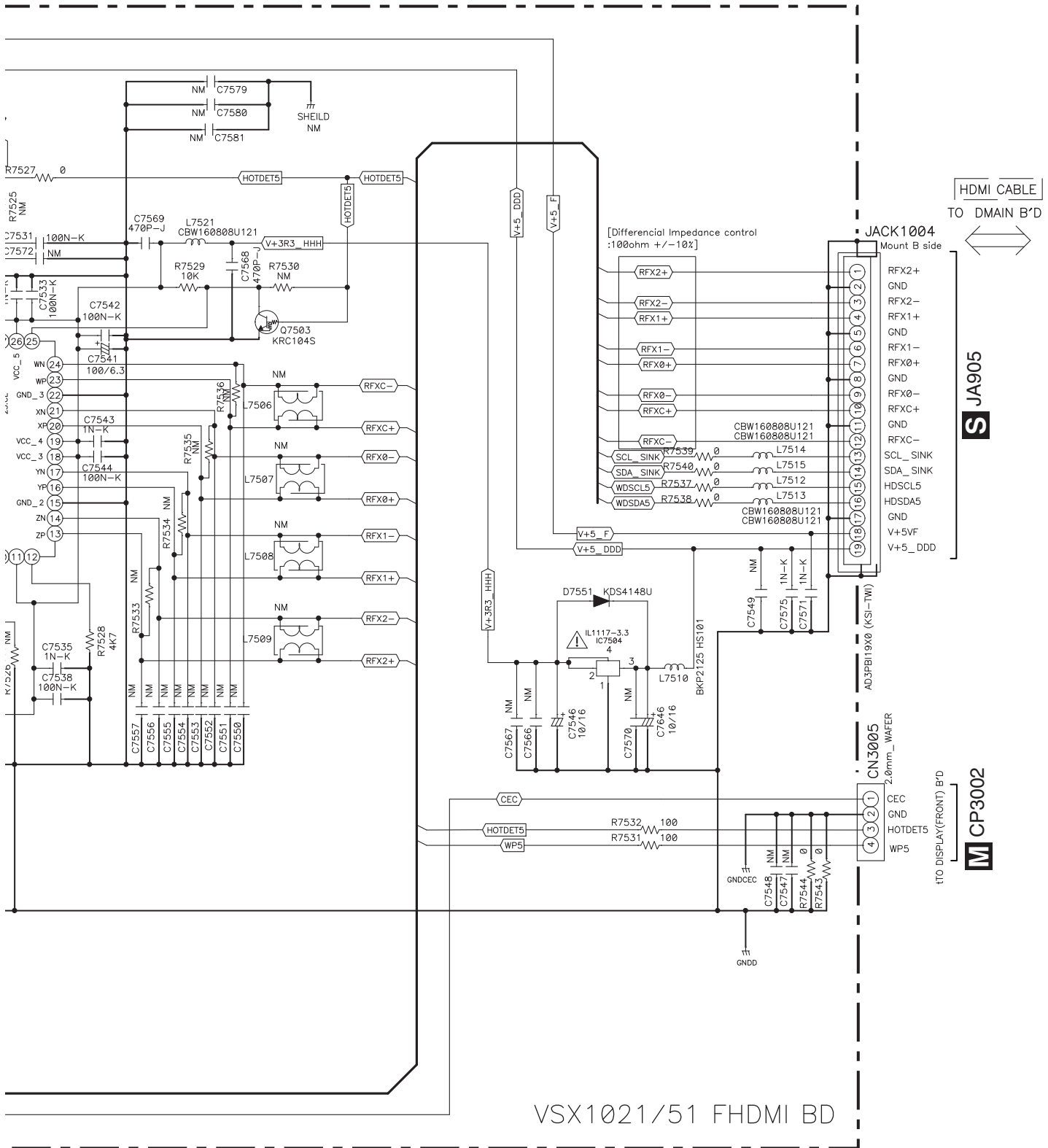
2.2 F-HDMI ASSY (VSX-1026-K)

F F-HDMI ASSY (7028070341010-IL)

FRONT HDMI



VSX-1021/51 FRONT HDMI B'D



VSX1021/51 FHDMI BD



