

Pioneer

Service Manual

ORDER NO.
RRV4611

AV Receiver

VSX-1130-K

VSX-930-K

VSX-930-S

THIS MANUAL IS APPLICABLE TO THE FOLLOWING MODEL(S) AND TYPE(S).

Model	Type	Power Requirement	Remarks
VSX-1130-K	SYXEV8	AC 220 V to 230 V	
VSX-930-K, -S	SYXEV8	AC 220 V to 230 V	
VSX-930-K	DLXEV	AC 220 V to 240 V	
VSX-930-K	FXEV	AC 110 V	
VSX-930-K	AXEV5	AC 220 V	

This service manual should be used together with the following manual(s).

Model No.	Order No.	Remarks
VSX-1130-K, VSX-90	RRV4596	BLOCK DIAGRAM, EXPLODED VIEWS AND PARTS LIST etc.
VSX-1130-K, VSX-90	RRV4597	SCHEMATIC DIAGRAM, PCB CONNECTION DIAGRAM, PCB PARTS LIST

For SPECIFICATIONS and PANEL FACILITIES, refer to the operating instructions.

PIONEER CORPORATION 1-1, Shin-ogura, Saiwai-ku, Kawasaki-shi, Kanagawa 212-0031, Japan
PIONEER ELECTRONICS (USA) INC. P.O. Box 1760, Long Beach, CA 90801-1760, U.S.A.
PIONEER EUROPE NV Haven 1087, Keetberglaan 1, 9120 Melsele, Belgium
PIONEER ELECTRONICS ASIACENTRE PTE. LTD. 253 Alexandra Road, #04-01, Singapore 159936

©PIONEER CORPORATION 2015

K-ZZZ JUNE 2015 Printed in Japan

1. CONTRAST OF MISCELLANEOUS PARTS

NOTES: ● Parts marked by "NSP" are generally unavailable because they are not in our Master Spare Parts List.

● The Δ mark found on some component parts indicates the importance of the safety factor of the part. Therefore, when replacing, be sure to use parts of identical designation.

● When ordering resistors, first convert resistance values into code form as shown in the following examples.

Ex.1 When there are 2 effective digits (any digit apart from 0), such as 560 ohm and 47 k ohm (tolerance is shown by J = 5%, and K = 10%).

560 Ω \rightarrow 56 \times 10¹ \rightarrow 561 RD1/APU $\begin{bmatrix} 5 \\ 6 \end{bmatrix} \begin{bmatrix} 6 \\ 7 \end{bmatrix} J$
47 k Ω \rightarrow 47 \times 10³ \rightarrow 473 RD1/APU $\begin{bmatrix} 4 \\ 7 \end{bmatrix} \begin{bmatrix} 3 \\ 3 \end{bmatrix} J$
0.5 Ω \rightarrow R50 RN2H $\begin{bmatrix} R \\ 5 \end{bmatrix} \begin{bmatrix} 0 \\ 0 \end{bmatrix} K$
1 Ω \rightarrow 1R0 RSIP $\begin{bmatrix} 1 \\ 0 \end{bmatrix} \begin{bmatrix} 0 \\ 0 \end{bmatrix} K$

Ex.2 When there are 3 effective digits (such as in high precision metal film resistors).

5.62 k Ω \rightarrow 562 \times 10¹ \rightarrow 5621 RNI/4PC $\begin{bmatrix} 5 \\ 6 \end{bmatrix} \begin{bmatrix} 2 \\ 1 \end{bmatrix} F$

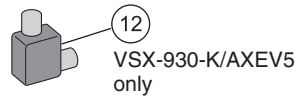
B CONTRAST TABLE

VSX-1130-K/CUXESM, VSX-1130-K/SYXEV8, VSX-930-K/SYXEV8, VSX-930-S/SYXEV8, VSX-930-K/DLXEV, FXEV and AXEV5 are constructed the same except for the following:

Mark	No.	Symbol and Description	VSX-1130-K /CUXESM	VSX-1130-K /SYXEV8	VSX-930-K /SYXEV8	VSX-930-S /SYXEV8	VSX-930-K /DLXEV	VSX-930-K /FXEV	VSX-930-K /AXEV5	Remarks
PCB ASSEMBLIES										
NSP	No.1	1..PCB TTL ASSY MAIN 2..MAIN ASSY	7025HK1401010 7028077811040	7025HK1401050 7028077811020	7025HK1401030 7028077811020	7025HK1401040 7028077811020	7025HK1401080 7028077811060	7025HK1401070 7028077811050	7025HK1401090 7028077811050	
NSP	No.2	1..PCB TTL ASSY DMAIN 2..DMAIN ASSY	7025HK1401012 7028077871040	7025HK1401052 7028077871020	7025HK1401032 7028077871020	7025HK1401042 7028077871020	7025HK1401082 7028077871050	7025HK1401072 7028077871050	7025HK1401092 7028077871050	
NSP	No.10	1..PCB TTL ASSY FRONT 2..FRONT ASSY	7025HK1401011 70280777210D0	7025HK1401051 70280777210B0	7025HK1401031 70280777210B0	7025HK1401041 70280777210B0	7025HK1401081 70280777210F0	7025HK1401071 70280777210E0	7025HK1401091 70280777210G0	
NSP	No.6	1..PCB TTL ASSY CPU 2..CPU ASSY	7025HK1401013 70280777310D0	7025HK1401053 70280777310E0	7025HK1401033 70280777310B0	7025HK1401043 70280777310B0	7025HK1401083 70280777310G0	7025HK1401073 70280777310F0	7025HK1401093 70280777310H0	
NSP	No.7	1..PCB TTL ASSY AMP7 2..AMP7 ASSY	7025HK1401014 7028077751010	7025HK1401054 7028077751020	7025HK1401034 7028077751020	7025HK1401044 7028077751020	7025HK1401084 7028077751040	7025HK1401074 7028077751040	7025HK1401094 7028077751040	
NSP	No.5	1..PCB TTL ASSY AUDIO 2..AUDIO ASSY	7025HK1401015 7028077841040	7025HK1401055 7028077841020	7025HK1401035 7028077841020	7025HK1401045 7028077841020	7025HK1401085 7028077841070	7025HK1401075 7028077841060	7025HK1401095 7028077841040	
NSP Δ	No.13	1..PCB TTL ASSY SMPS 2..SMPS ASSY	7025HK1401016 702807336108B	7025HK1401056 702807336105B	7025HK1401036 702807336105B	7025HK1401046 702807336105B	7025HK1401086 7028074591070	7025HK1401076 702807336106B	7025HK1401096 70280733610CB	
NSP	No.8	1..PCB TTL ASSY FHDMI 2..FHDMI ASSY	7025HK1401017 7028077881010	7025HK1401057 7028077881060	7025HK1401037 7028077881020	7025HK1401047 7028077881040	7025HK1401087 7028077881010	7025HK1401077 7028077881010	7025HK1401097 7028077881010	
PACKING SECTION										
	No.5	CD-ROM	6517000002141S	6517000002151S	6517000002151S	6517000002151S	6517000002160S	6517000002160S	6517000002170S	
	No.6	Quick Start Guide	5707000009920S	5707000009940S	5707000009940S	5707000009940S	5707000009960S	5707000009960S	5707000009980S	
	No.7	Box	60072123900B0S	60072123900C0S	60072123900D0S	60072123900E0S	6007211820280S	6007211820270S	6007211820290S	
NSP Δ	No.9	Warranty Sheet	ARY7172	ARY7191	ARY7191	Not used	Not used	Not used	ARY7137	
	No.11	Power Cord	Not used	L068250160020S	L068250160020S	L068250160020S	L068250160070S	L068125070090S	Not used	
		Tuner Isolator	Not used	Not used	Not used	Not used	Not used	Not used	L170200060010-IL	No.12
EXTERIOR SECTION										
Δ	No.18	Power Trans	8200960611510S	8200960611660S	8200960611660S	8200960611660S	8200960611520S	8200960611550S	8200960611650S	
Δ	No.19	Power Cord	L068125101710S	Not used	Not used	Not used	Not used	Not used	L068250101710S	
	No.24	FFC Cable 1 mm	N711390922480S	N711390922490S	N711390922490S	N711390922490S	N711390922490S	N711390922490S	N711390922490S	
	No.27	Back Chassis	3207215176000S	3207215176130S	3207215176100S	3207215176110S	3207215176120S	3207215176200S	3207215176010S	
	No.31	Stopper	4380040162010-IL	Not used	Not used	Not used	Not used	Not used	4380040162010-IL	
	No.33	Main Chassis 1130	3200213706101S	3200213706300S	3200213706300S	3200213706300S	3200213706300S	3200213706300S	3200213706300S	
	No.35	Cushion	4050211605000-IL	4050215675000S	4050215675000S	4050215675000S	4050215675000S	4050215675000S	4050215675000S	
	No.36	Foot	4000210391000-IL	4007210891000S	4007210891000S	4007210891000S	4007210891000S	4007210891000S	4007210891000S	
	No.37	Speaker Sheet	1210212872000S	1210212872100S	1210212872100S	1210212872100S	1210212872100S	1210212872100S	1210212872100S	
	No.40	Knob	5080212431000-IL	5080212431000-IL	5080212431000-IL	5087212431200S	5080212431000-IL	5080212431000-IL	5080212431000-IL	
	No.43	5 Key Button	5090214561000S	5090214561000S	5090214561000S	5097214561300S	5090214561000S	5090214561000S	5090214561000S	
	No.45	Pioneer Badge	XAM3006	BAM1004	XAM3006	VAM1129	XAM3006	XAM3006	XAM3006	
	No.46	Front Panel	3067216111740S	3067216428000S	3067216111150S	3067216111210S	3067216111150S	3067216111150S	3067216111150S	
	No.47	Display Window	50772131130POS	5077213743000S	50772131130POS	50772131130POS	50772131130POS	50772131130POS	50772131130POS	
	No.51	Screw	BBT40P080FTB	BBZ40P080FTB	BBZ40P080FTB	BBZ40P080FTB	BBZ40P080FTB	BBZ40P080FTB	BBZ40P080FTB	
		Frame Panel	Not used	3210212441000S	Not used	Not used	Not used	Not used	Not used	No.63

Notes : For PCB ASSEMBLIES, Refer to "CONTRAST OF PCB ASSEMBLIES".

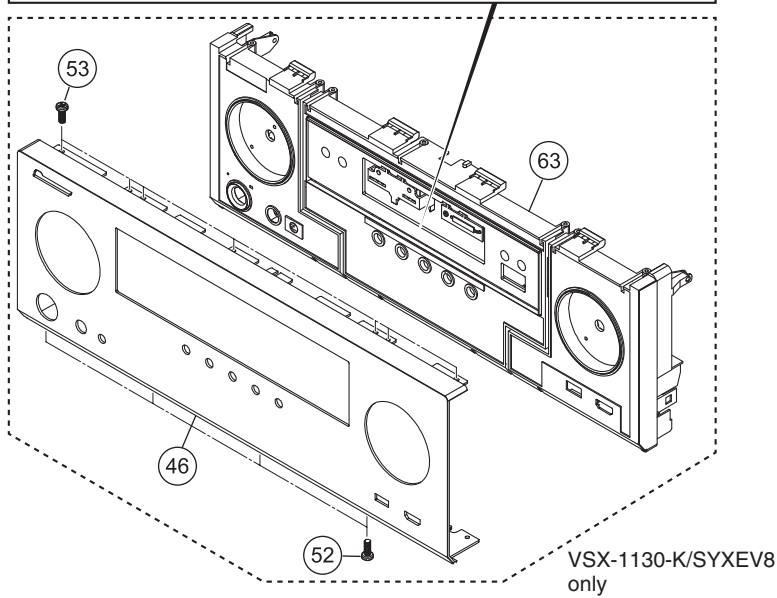
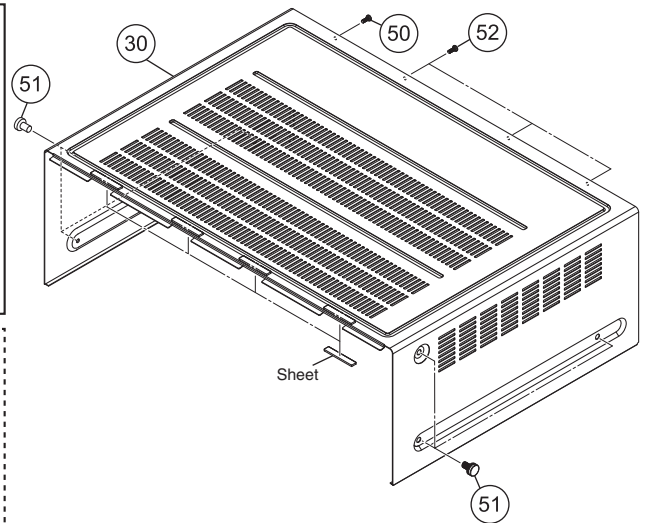
1. PACKING SECTION



2. EXTERIOR SECTION

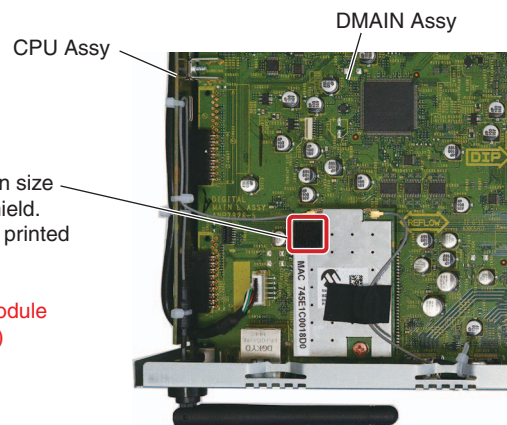
■ Reassembly of the Frame Panel
 Adhere double-back tape (size: 5 × 120 mm, thickness: approx. 0.2 mm) to the guide of the Frame panel then temporarily attach the Display window to the Frame panel. Then, tighten the Frame panel securely, using the screws.

Display window
 Double-back tape
 Frame panel



Paste a square of acetate tape 10 × 10 mm in size onto the upper left corner of the AXX7293 shield. Be careful NOT to conceal the MAC address printed on the shield with the acetate tape.

Be sure to paste on the acetate tape after module replacement. (Only for the European models)



Cable dressing

A

When dressing the two cables, leave some slack in the cables on the front side.

CPU Assy

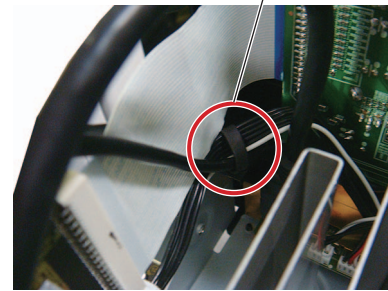
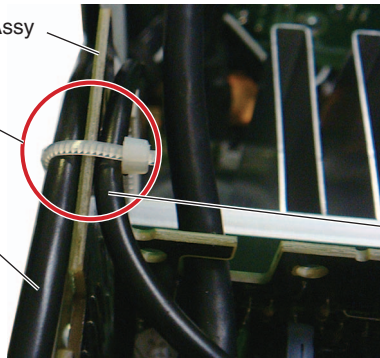
Secure the two cables, using hole No. 2, with the aid of a cable tie.

Run the Front USB cable alongside Side B of the CPU Assy.

B

Run the MHL power supply cable alongside Side A of the CPU Assy.

Secure the two cables with the aid of the clamp of the clamp on the side of the front panel.



CONTRAST OF PCB ASSEMBLIES

C

AF MAIN ASSY

7028077811040, 7028077811020, 7028077811060 and 7028077811050 are constructed the same with the exception of some components, including the following:

Mark	Symbol and Description	7028077811040	7028077811020	7028077811060	7028077811050
50	Tuner,FM/AM	E903004100781S	E903104100781S	E903004100781S	E903004100781S
C76		D040103083000-IL	D040103083000-IL	D040103084000-IL	D040103083000-IL

Note: This list is not complete. Only components that are available as service part are listed!

D

BF DMAIN ASSY

Although 7028077871040, 7028077871020 and 7028077871050 are different and are NOT COMPATIBLE! Some components on these assy's are different. Since these different components are not available as service part, they are not listed.

EF AUDIO ASSY

7028077841040, 7028077841020, 7028077841070 and 7028077841060 are constructed the same with the exception of some components, including the following:

Mark	Symbol and Description	7028077841040	7028077841020	7028077841070	7028077841060
JA2103	Pin jack (2P)	G601206A0700Y-IL	G601206A0700Y-IL	G601206A0700Y-IL	Not used
JA2103	Ter, RCA 4PIN	Not used	Not used	Not used	G602421E0046Y-IL

The mounting positions of the additional parts are described in the circuit diagram and PCB diagram of the parent manual.

Note: This list is not complete. Only components that are available as service part are listed!

E

FF CPU ASSY

Although 70280777310D0, 70280777310E0, 70280777310B0, 70280777310G0, 70280777310F0 and 70280777310H0 are different and are NOT COMPATIBLE! Some components on these assy's are different. Since these different components are not available as service part, they are not listed.

GF AMP7 ASSY

7028077751010, 7028077751020 and 7028077751040 are constructed the same with the exception of some components, including the following:

Mark	Symbol and Description	7028077751010	7028077751020	7028077751040
VR401-VR407		C541102315020S	C541102315001S	C541102315020S

Note: This list is not complete. Only components that are available as service part are listed!

F

HF FHDMI ASSY

Although 7028077881010, 7028077881060, 77028077881020 and 7028077881040 are different and are NOT COMPATIBLE! Some components on these assy's are different. Since these different components are not available as service part, they are not listed.

JF FRONT ASSY

70280777210D0, 70280777210B0, 70280777210F0, 70280777210E0 and 70280777210G0 are constructed the same with the exception of some components, including the following:

Mark	Symbol and Description	70280777210D0	70280777210B0	70280777210F0	70280777210E0	70280777210G0
	R3025, R3026	Not used	C060R22065050-IL	C060R68065050-IL	Not used	C060R22065050-IL

The mounting positions of the additional parts are described in the circuit diagram and PCB diagram of the parent manual.

Note: This list is not complete. Only components that are available as service part are listed!

MF SMPS ASSY

702807336108B, 702807336105B, 7028074591070, 702807336106B and 70280733610CB are constructed the same with the exception of some components, including the following:

Mark	Symbol and Description	702807336108B	702807336105B	7028074591070	702807336106B	70280733610CB
⚠	FU101 Fuse Glass tube 20mm	N751506301160-IL	N751506301160-IL	N751506301160-IL	N751506301160-IL	N751506301160-IL
⚠	CN9100 CN.wafer 7.92mm	L108396030010-IL	Not used	L108396030010-IL	L108396030010-IL	L108396030010-IL

Note: This list is not complete. Only components that are available as service part are listed!