

Service Manual

ORDER NO.
RRV3518

AUDIO/VIDEO MULTI-CHANNEL RECEIVER

VSX-AX4ASi-S VSX-AX4ASi-G VSX-AX2AS-S

THIS MANUAL IS APPLICABLE TO THE FOLLOWING MODEL(S) AND TYPE(S).

Model	Type	Power Requirement	The voltage can be converted by the following method.
VSX-AX4ASi-S	FXJ	AC 110 V/120 V to 127 V/220 V/230V to 240V	With the voltage selector
VSX-AX4ASi-G	FXJ	AC 110 V/120 V to 127 V/220 V/230V to 240V	With the voltage selector
VSX-AX2AS-S	FXJ	AC 110 V/120 V to 127 V/220 V/230V to 240V	With the voltage selector

● This service manual should be used together with the following manual(s):

Model No.	Order No.	Remarks
VSX-AX4AVi-S/HYXJ	RRV3261	

● For SPECIFICATIONS and PANEL FACILITIES, refer to the operating instructions.

CONTENTS

1. CONTRAST OF MISCELLANEOUS PARTS	2
2. PCB CONNECTION DIAGRAM	25
3. SCHEMATIC DIAGRAM	30
4. DIAGNOSIS METHOD OF HDMI ASSY	52
5. HOW TO UPDATE THE VARIOUS MICROCOMPUTERS	72
6. IC INFORMATION	74

1. CONTRAST OF MISCELLANEOUS PARTS

NOTES: ● Parts marked by "NSP" are generally unavailable because they are not in our Master Spare Parts List.

● The Δ mark found on some component parts indicates the importance of the safety factor of the part.

Therefore, when replacing, be sure to use parts of identical designation.

● Screws adjacent to ∇ mark on product are used for disassembly.

● Reference Nos. indicate the pages and Nos. in the service manual for the base model.

● For the applying amount of lubricants or glue, follow the instructions in this manual.

(In the case of no amount instructions, apply as you think it appropriate.)

● When ordering resistors, first convert resistance values into code form as shown in the following examples.

Ex.1 When there are 2 effective digits (any digit apart from 0), such as 560 ohm and 47k ohm (tolerance is shown by J=5%, and K=10%).

560 Ω \rightarrow 56×10^1 \rightarrow 561 RD1/4PU $\begin{matrix} \boxed{5} & \boxed{6} & \boxed{1} \\ \boxed{J} \end{matrix}$

47k Ω \rightarrow 47×10^3 \rightarrow 473 RD1/4PU $\begin{matrix} \boxed{4} & \boxed{7} & \boxed{3} \\ \boxed{J} \end{matrix}$

0.5 Ω \rightarrow R50 RN2H $\begin{matrix} \boxed{R} & \boxed{5} & \boxed{0} \\ \boxed{K} \end{matrix}$

1 Ω \rightarrow 1R0 RS1P $\begin{matrix} \boxed{1} & \boxed{R} & \boxed{0} \\ \boxed{K} \end{matrix}$

Ex.2 When there are 3 effective digits (such as in high precision metal film resistors).

5.62k Ω \rightarrow 562×10^1 \rightarrow 5621 RN1/4PC $\begin{matrix} \boxed{5} & \boxed{6} & \boxed{2} & \boxed{1} \\ \boxed{F} \end{matrix}$

■ CONTRAST TABLE

VSX-AX4ASi-S/FXJ, VSX-AX4ASi-G/FXJ and VSX-AX4AVi-S/HYXJ are constructed the same except for the following :

Ref. No.	Mark	Symbol and Description	Part No.			Remarks
			VSX-AX4AVi-S /HYXJ	VSX-AX4ASi-S /FXJ	VSX-AX4ASi-G /FXJ	
PCB ASSEMBLIES						
P17- 3	NSP	POWER AMP ASSY └ POWER PROTECT ASSY	AWH7008 AWX8659	AWH7009 AWX8660	AWH7009 AWX8660	
P13- 2		1394 ASSY	AWK7882	Not used	Not used	
P13- 4 P19- 1	NSP	COMPLEX ASSY └ PRIMARY ASSY └ DISPLAY ASSY └ 2VOLT-SW ASSY J21 BOARD IN JUMPER WIRED J22 BOARD IN JUMPER WIRED J23 BOARD IN JUMPER WIRED Y14 AWG18 BOARD IN Y15 AWG18 BOARD IN	AWM7976 AWX8629 AWX8635 Not used Not used Not used Not used ADX7490 ADX7491	XWM3334 AWX8631 XWZ4170 AWX8627 DB116NB2 DB914NB2 DB015NB2 Not used Not used	XWM3334 AWX8631 XWZ4170 AWX8627 DB116NB2 DB914NB2 DB015NB2 Not used Not used	No. 1
P13- 5		DIGITAL MOTHER ASSY	AXX7227 (AWP7038)	AXX7221 (XWP3007)	AXX7221 (XWP3007)	
P13- 6 P13- 6		HDMI & DVC Assy HDMI & 1394 Assy	AWQ7024 Not used	Not used AXX7214 (AWX8717)	Not used AXX7214 (AWX8717)	
P15- 2 P15- 3 P15- 4	NSP	VIDEO ASSY └ COMPOSITE V Assy └ S VIDEO Assy └ PREOUT & CONTROL Assy	AWQ7033 AWX8620 AWX8622 AWX8689	XWQ3010 XWZ4167 XWZ4169 XWZ4176	XWQ3010 XWZ4167 XWZ4169 XWZ4176	
P15- 5		COMPONENT & VOL ASSY	AWQ7034	XWQ3005	XWQ3005	
P13-12 P13-13	NSP NSP	SECONDARY ASSY └ INTERFACE Assy └ TRANS SIDE ASSY	AWR7024 AWX8651 AWX8652	XWR3007 XWZ4174 AWX8653	XWR3007 XWZ4174 AWX8653	
P13-15		DSP Assy	AWX8599	AWX8716	AWX8716	
P15- 9		FM/AM TUNER UNIT	AXX7170	AXX7173	AXX7173	
PACKING SECTION						
P9- 1 P9- 4 P9- 5		Audio Control Cable for iPod Setup Microphone (for Auto MCACC setup) Remote Control Unit Sub Room Remote Control Unit Battery Cover (for Sub Room Remote Control Unit)	ADE7119 APM7006 AXD7456 Not used Not used	XDE7025 APM7008 XXD3118 XXD3115 AZN8018	XDE7025 APM7008 XXD3118 XXD3115 AZN8018	
P9- 7 P9- 7 P9- 8 P9- 9	NSP NSP	AA/LR6 Dry Cell Batteries AA/R6P Dry Cell Batteries Operating Instructions (English) Operating Instructions (Audio Control Cable for iPod)	VEM1021 Not used ARB7335 ARE7600	Not used XEX3001 XRB3068 Not used	Not used XEX3001 XRB3068 Not used	

Ref. No.	Mark	Symbol and Description	Part No.			Remarks
			VSX-AX4AVi-S /HYXJ	VSX-AX4ASi-S /FXJ	VSX-AX4ASi-G /FXJ	
PACKING SECTION						
P9-11	NSP	Warranty Card	ARY7065	Not used	Not used	
P9-16		Packing Case	AHD8422	XHD3633	XHD3634	
P9-17		iPod Label	ARW7332	Not used	Not used	
P9-18		Operating Instructions (French)	ARC7622	Not used	Not used	
P9-19		Operating Instructions (German)	ARC7623	Not used	Not used	
P9-20		Operating Instructions (Italian)	ARC7624	Not used	Not used	
P9-21		Operating Instructions (Dutch)	ARC7625	Not used	Not used	
P9-22		Operating Instructions (Spanish)	ARC7626	Not used	Not used	
		Operating Instructions (Chinese)	Not used	XRC3258	XRC3258	
P9-23	△	AC Power Cord	ADG7062	ADG7062	ADG7062	
P9-24	△	AC Power Cord	Not used	ADG7076	ADG7076	Accessories
P9-25		Label (WEEE)	ARW7322	Not used	Not used	
		Disclaimer	ARX7075	XRM3009	XRM3009	
		J Shape Plug	Not used	AKX7008	AKX7008	Accessories
	△	AC Plug Adapter	Not used	AKX7022	AKX7022	Accessories
		Caution Card SD SB	Not used	ARM7063	ARM7063	
		Caution Card SB	Not used	ARM7064	ARM7064	
		Caution Card 220V	Not used	ARR7019	ARR7019	
EXTERIOR SECTION						
P11- 1		Bonnet	AZN8008	AZN8008	AZN8007	
P11- 9		Screw	BBT30P060FCC	BBZ30P060FCC	BBZ30P060FCC	
		Label (TAIWAN)	Not used	ARW7196	ARW7196	
CHASSIS SECTION						
P13-19	△	Power Transformer (AC220-230V)	ATS7403	Not used	Not used	
P13-19	△	Power Transformer (AC110V/120-127V/220V/230-240V)	Not used	ATS7405	ATS7405	
P13-21	△	FU1 Fuse (FU1 : T5AL/250V)	REK1029	Not used	Not used	
P13-21	△	FU1 Fuse (FU1 : T10AL/250V)	Not used	DEK1045	DEK1045	
P13-24		22P Flexible Cable (J52)	ADD7517	Not used	Not used	
P13-25		10P Flexible Cable (J53)	ADD7518	Not used	Not used	
P13-29	NSP	DSP Shield	ANG7540	XNG3155	XNG3155	
P13-33	NSP	HDMI Shield	ANK7124	XNK3011	XNK3011	
P13-37		Shield Cushion	AEB7372	Not used	Not used	
P13-38		Nyron Rivet	AEC7406	Not used	Not used	
P13-42		Locking Card Spacer	AEC7549	Not used	Not used	
P13-58	NSP	Fuse Card	AAX7098	AAX7970	AAX7970	
	△	FU2, FU3 Fuse (T4AL/250V)	Not used	REK1028	REK1028	No. 2
	NSP	SISIR Label	Not used	XAX3582	XAX3582	
REAR PANEL SECTION						
P15-17		Rear Panel	ANC8328	XNC3457	XNC3465	
P15-21		SP Sheet	AEC7559	AEC7537	AEC7537	
P15-23		Cushion Circle 16B	AED7093	AED7052	AED7052	
		DC Fan Motor	Not used	AXM7029	AXM7029	No. 3
	△	Voltage Selector	Not used	AKX-507	AKX-507	No. 4
FRONT PANEL SECTION						
P19-10		Cushion Circle	AED7080	AED7080	AED7084	
P19-13		Door Base	AMR7510	AMR7510	AMR7509	
P19-14		Door Panel	ANB7371	ANB7371	ANB7370	
P19-16		Rotary Knob	AAA7034	AAA7034	AAA7035	
P19-17		Hinge Button	AAD7746	AAD7746	AAD7745	
P19-18		ENTER Button	AAD7749	AAD7749	AAD7748	
P19-19		Door Sheet	AAK8293	AAK8293	AAK8294	
P19-20		Window	AAK8289	XAK3561	XAK3561	
P19-24		Panel Base	AMB7902	AMB7902	AMB7901	
P19-25		Front Panel	ANB7379	XNB3011	XNB3012	
P19-27		Pioneer Badge	VAM1124	VAM1124	PAN1377	
P19-28		STBY BTN Assy	XAD3217	XAD3217	AAD7741	

Notes : The numbers in the remarks column correspond to the numbers on the "EXPLODED VIEWS".

For PCB ASSEMBLIES, Refer to "CONTRAST OF PCB ASSEMBLIES", "PCB PARTS LIST", "2. PCB CONNECTION DIAGRAM" and "3. SCHEMATIC DIAGRAM".

VSX-AX2AS-S/FXJ and VSX-AX2AV-S/HYXJ are constructed the same except for the following :

Ref. No.	Mark	Symbol and Description	Part No.		Remarks
			VSX-AX2AV-S /HYXJ	VSX-AX2AS-S /FXJ	
P17-3	NSP	PCB ASSEMBLIES POWER AMP ASSY └ POWER PROTECT ASSY	AWH7008 AWX8659	AWH7009 AWX8660	
P13-4	NSP	COMPLEX ASSY └ PRIMARY ASSY	AWM7980 AWX8629	XWM3338 AWX8631	No. 1
P19-1		└ 2VOLT-SW ASSY └ DISPLAY ASSY J21 BOARD IN JUMPER WIRED J22 BOARD IN JUMPER WIRED J23 BOARD IN JUMPER WIRED Y14 AWG18 BOARD IN Y15 AWG18 BOARD IN	Not used AWX8636 Not used Not used Not used ADX7490 ADX7491	AWX8627 XWZ4172 DB116NB2 DB914NB2 DB015NB2 Not used Not used	
P13-5		DIGITAL MOTHER ASSY	AXX7231 (AWP7043)	AXX7225 (XWP3011)	
P13-6		HDMI & DVC Assy	AWQ7024	AXX7215 (AWX8718)	
P15-2	NSP	VIDEO ASSY └ COMPOSITE V Assy	AWQ7033 AWX8620	XWQ3010 XWZ4167	
P15-3		└ S VIDEO Assy	AWX8622	XWZ4169	
P15-4		└ PREOUT & CONTROL Assy	AWX8689	XWZ4176	
P15-5		COMPONENT & VOL ASSY	AWQ7035	XWQ3006	
P13-13	NSP NSP	SECONDARY ASSY └ TRANS SIDE ASSY	AWR7027 AWX8652	AWR7028 AWX8653	
P13-15		DSP Assy	AWX8599	AWX8716	
P15-9		FM/AM TUNER UNIT	AXX7170	AXX7173	
P9-1		PACKING SECTION Audio Control Cable for iPod	ADE7119	XDE7025	
P9-4		Setup Microphone (for Auto MCACC setup)	APM7006	APM7008	
P9-5		Remote Control Unit	AXD7456	XXD3118	
P9-7	NSP	AA/LR6 Dry Cell Batteries	VEM1021	Not used	
P9-7	NSP	AA/R6P Dry Cell Batteries	Not used	XEX3001	
P9-8		Operating Instructions (English)	ARB7335	XRB3068	
P9-9		Operating Instructions (Audio Control Cable for iPod)	ARE7600	Not used	
P9-11	NSP	Warranty Card	ARY7065	Not used	
P9-16		Packing Case	AHD8423	XHD3636	
P9-17		iPod Label	ARW7332	Not used	
P9-18		Operating Instructions (French)	ARC7622	Not used	
P9-19		Operating Instructions (German)	ARC7623	Not used	
P9-20		Operating Instructions (Italian)	ARC7624	Not used	
P9-21		Operating Instructions (Dutch)	ARC7625	Not used	
P9-22		Operating Instructions (Spanish)	ARC7626	Not used	
P9-23	△	Operating Instructions (Chinese)	Not used	XRC3258	
P9-23	△	AC Power Cord	ADG7062	ADG7062	
P9-24		AC Power Cord	Not used	ADG7076	
P9-24		Label (WEEE)	ARW7322	Not used	
P9-25		Disclaimer	ARX7075	XRM3009	
		J Shape Plug	Not used	AKX7008	
	△	AC Plug Adapter	Not used	AKX7022	
		Caution Card SD SB	Not used	ARM7063	
		Caution Card SB	Not used	ARM7064	
		Caution Card 220V	Not used	ARR7019	
P11-9		EXTERIOR SECTION Screw Label (TAIWAN)	BBT30P060FCC Not used	BBZ30P060FCC ARW7196	

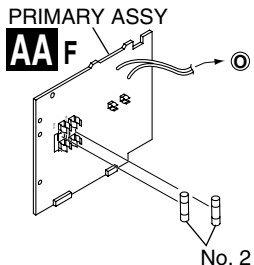
Ref. No.	Mark	Symbol and Description	Part No.		Remarks
			VSX-AX2AV-S /HYXJ	VSX-AX2AS-S /FXJ	
CHASSIS SECTION					
P13-19	⚠	Power Transformer (AC220-230V)	ATS7403	Not used	No. 2
P13-19	⚠	Power Transformer (AC110V/120-127V/220V/230-240V)	Not used	ATS7405	
P13-21	⚠	FU1 Fuse (FU1 : T5AL/250V)	REK1029	Not used	
P13-21	⚠	FU1 Fuse (FU1 : T10AL/250V)	Not used	DEK1045	
P13-29	NSP	DSP Shield	ANG7540	XNG3155	
P13-33	NSP	HDMI Shield	ANK7124	XNK3011	
P13-58	NSP	Fuse Card	AAX7098	AAX7970	
	⚠	FU2, FU3 Fuse (T4AL/250V)	Not used	REK1028	
	NSP	SISIR Label	Not used	XAX3584	
REAR PANEL SECTION					
P15-17		Rear Panel	ANC8331	XNC3458	No. 3 No. 4
P15-21		SP Sheet	AEC7559	AEC7537	
P15-23		Cushion Circle 16B	AED7093	AED7052	
	⚠	DC Fan Motor	Not used	AXM7029	
	⚠	Voltage Selector	Not used	AKX-507	
FRONT PANEL SECTION					
P19-20		Window	AAK8290	XAK3562	
P19-25		Front Panel	ANB7380	XNB3013	

Notes : The numbers in the remarks column correspond to the numbers on the “ EXPLODED VIEWS ”.

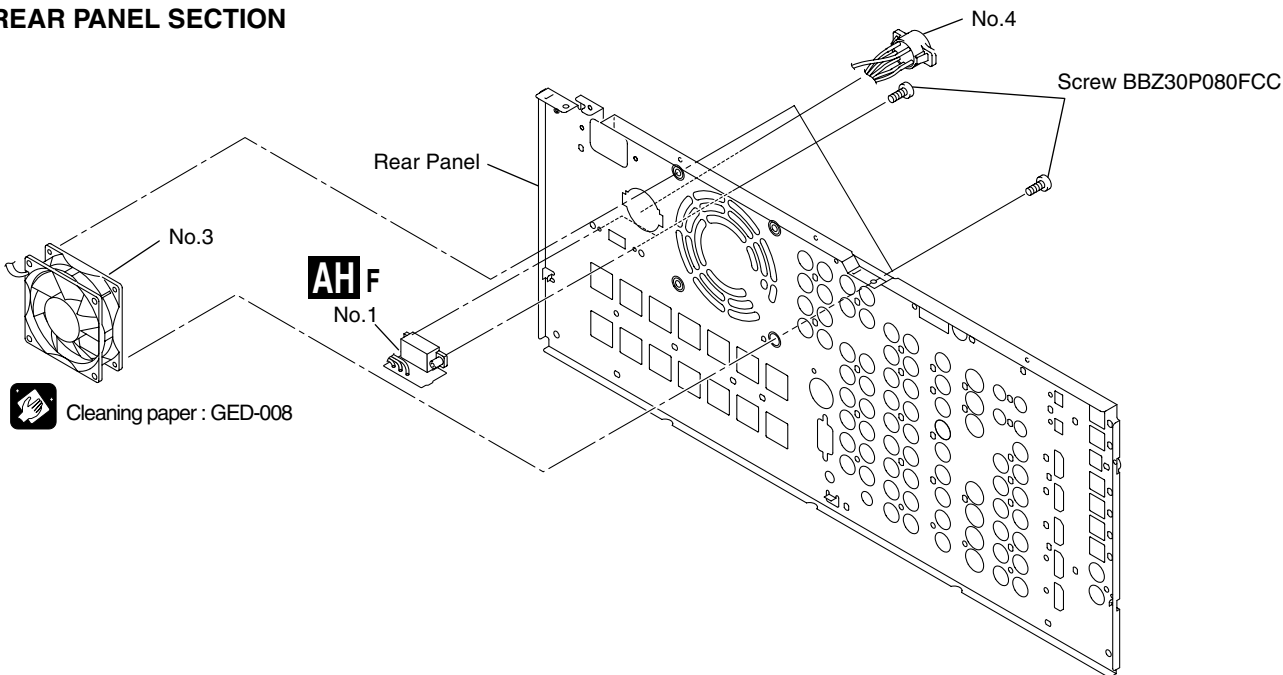
For PCB ASSEMBLIES, Refer to “CONTRAST OF PCB ASSEMBLIES”, “PCB PARTS LIST”, “2. PCB CONNECTION DIAGRAM” and “3. SCHEMATIC DIAGRAM”.

■ EXPLODED VIEWS

■ CHASSIS SECTION



■ REAR PANEL SECTION



■ CONTRAST OF PCB ASSEMBLIES

GF TRANS SIDE ASSY

AWX8653 and AWX8652 are constructed the same except for the following :

Mark	Symbol and Description	Part No.		Remarks
		AWX8652	AWX8653	
	CN4401 3P CONNECTOR	Not used	S3B-EH	

IF COMPOSITE V ASSY

XWZ4167 and AWX8620 are constructed the same except for the following :

Mark	Symbol and Description	Part No.		Remarks
		AWX8620	XWZ4167	
	IC2007 R2011 R2012 R2092 C2012	PDC131A Not used RS1/16S750J RS1/16S0R0J CEAT102M6R3	PDC132A RS1/16S0R0J RS1/16S473J Not used CEAT100M50	*

* : Refer to the stby parts of "3.7 COMPOSIT V ASSY" on the service manual RRV3261.

JF S-VIDEO ASSY

XWZ4169 and AWX8622 are constructed the same except for the following :

Mark	Symbol and Description	Part No.		Remarks
		AWX8622	XWZ4169	
	R2221, R2222 C2221	RS1/16S750J CEAT102M6R3	RS1/16S473J CEAT100M50	

MF DSP ASSY

AWX8716 and AWX8599 are constructed the same except for the following :

Mark	Symbol and Description	Part No.		Remarks
		AWX8599	AWX8716	
	IC105 IC107 IC109 C351 C351 (100/16)	AYW7111 SN74AHC08PW SN74AHC1G32DCK CEVW101M16 Not used	AYW7112 SN74VHC08FTS1 TC7SH32FUS1 Not used VCH1262	

NF INTERFACE ASSY (VSX-AX4ASi-S)

XWZ4174 and AWX8651 are constructed the same except for the following :

Mark	Symbol and Description	Part No.		Remarks
		AWX8651	XWZ4174	
	Q4303 L4311-L4318, L4320-L4324 CN4301 15P FFC CONNECTOR CN4310 24P SOCKET CN4322 30P SOCKET CN4323 6P CONNECTOR	RT1N241C VTL1083 52045-1545 AKP7203 Not used Not used	RT1N241C-12 CTF1385 CKS3380 Not used XKP3092 BTEM6S-1S	* *

* : Refer to the stby parts of "3.23 INTERFACE ASSY" on the service manual RRV3261.

PF POWER PROTECT ASSY

AWX8660 and AWX8659 are constructed the same except for the following :

Mark	Symbol and Description	Part No.		Remarks
		AWX8659	AWX8660	
	D5703 R5719	Not used Not used	1SS355 RS1/16S104J	

KF COMPONENT & VOL ASSY (VSX-AX4ASi-S)

XWQ3005 and AWQ7034 are constructed the same except for the following :

Mark	Symbol and Description	Part No.		Remarks
		AWQ7034	XWQ3005	
	Q2772 D2752 D2753, D2754 L2752 L2755	2SC4081 1SS355 Not used Not used QTL1013	Not used Not used RB501V-40 QTL1013 Not used	* *
	L2757-L2760 CN2409, CN2502 17P FFC CONNECTOR CN2601, CN2603 19P FFC CONNECTOR CN2602 26P FFC CONNECTOR CN2702 11P FFC CONNECTOR	VTL1083 52045-1745 52045-1945 52045-2645 52045-1145	CTF1385 CKS3382 CKS3384 CKS3391 CKS3376	
	JA2703 JACK R2467-R2469 R2759 R2760 R2762	Not used RS1/16S750J RS1/16S102J RS1/16S0R0J Not used	CKS4124 RS1/16S473J Not used Not used RS1/16S0R0J	* *
	R2773 R2775 C2467 C2468, C2469 C2785	RS1/16S221J RS1/16S472J CEAT102M6R3 CEAT471M6R3 Not used	Not used Not used CEAT100M50 CEAT100M50 CKSRYB104K16	*
	C2786	Not used	CKSRYB471K50	*

* : Refer to the stby parts of "3.12 COMPONENT & VOL ASSY (4/4)" on the service manual RRV3261.

KF COMPONENT & VOL ASSY (VSX-AX2AS-S)

XWQ3006 and AWQ7035 are constructed the same except for the following :

Mark	Symbol and Description	Part No.		Remarks
		AWQ7035	XWQ3006	
	Q2772 D2752 D2753, D2754 L2752 L2755	2SC4081 1SS355 Not used Not used QTL1013	Not used Not used RB501V-40 QTL1013 Not used	* *
	L2757-L2760 CN2409, CN2502 17P FFC CONNECTOR CN2601, CN2603 19P FFC CONNECTOR CN2602 26P FFC CONNECTOR CN2702 11P FFC CONNECTOR	VTL1083 52045-1745 52045-1945 52045-2645 52045-1145	CTF1385 CKS3382 CKS3384 CKS3391 CKS3376	
	JA2703 JACK R2467-R2469 R2759 R2760 R2762	Not used RS1/16S750J RS1/16S102J RS1/16S0R0J Not used	CKS4124 RS1/16S473J Not used Not used RS1/16S0R0J	* *
	R2773 R2775 C2467 C2468, C2469 C2785	RS1/16S221J RS1/16S472J CEAT102M6R3 CEAT471M6R3 Not used	Not used Not used CEAT100M50 CEAT100M50 CKSRYB104K16	*
	C2786	Not used	CKSRYB471K50	*

* : Refer to the stby parts of "3.12 COMPONENT & VOL ASSY (4/4)" on the service manual RRV3261.

LF DIGITAL MOTHER ASSY (VSX-AX4ASi-S)

XWP3007 and AWP7038 are constructed the same except for the following :

A

Mark	Symbol and Description	Part No.		Remarks
		AWP7038	XWP3007	
	IC102 IC181 IC202 IC304, IC318 IC306, IC309	AYW7133 BU1924FS AYW7080 SN74LVC1G97DCK SN74LV157APW	AYW7114 Not used AYW7115 Not used Not used	
	IC310 Q181 Q182 L181 CHIP SOLID INDUCTOR L309, L311, L313	Not used 2SA1036K RT1N431M QTL1013 QTL1013	TC74VHC541FTS1 Not used Not used Not used Not used	* (6/8)
B	X181 CRYSTAL RESONATOR (4.332MHz) CN101 23P FFC CONNECTOR CN103 19P FFC CONNECTOR CN303 22P FFC CONNECTOR CN305 10P FFC CONNECTOR	ASS7004 52045-2345 52045-1945 RKN1063 AKN7041	Not used CKS3388 CKS3384 Not used Not used	
	CN306 B TO B CONNECTOR 6P R143 R181 R182 R183, R184, R185	Not used Not used RS1/16S473J RS1/16S222J RS1/16S102J	BTEM6P-1R RS1/16S473J Not used Not used Not used	* (3/8) * (1/8)
C	R186, R187 R231, R435-R437 R242, R243 R300, R338, R342, R346, R350, R382, R386, R390 R412, R414, R417, R419, R421, R476, R477, R499	RS1/16S101J RS1/16S104J RS1/16S104J Not used Not used	Not used Not used RS1/16S0R0J RS1/16S0R0J RS1/16S0R0J	* (4/8) * (3/8,4/8,6/8)
	R962 R333, R335, R336, R339, R340, R343, R344, R347 R348, R379, R380, R383, R384, R387, R388, R488 R964 R337, R341, R345, R349, R381, R385, R389, R489	Not used RS1/16S101J RS1/16S101J RS1/16S101J RS1/16S470J	RS1/16S0R0J Not used Not used Not used Not used	* (4/8)
	R391 R392-R394 R395, R400, R405, R410, R411, R413, R415, R416 R418, R420, R422, R425, R472, R473, R963 R396	Not used Not used RS1/16S0R0J RS1/16S0R0J Not used	RAB4C101J RS1/16S101J Not used Not used RAB4C470J	* (6/8) * (6/8) * (6/8)
D	R397-R399 R433, R434, R438 R471 R474, R475 C181	Not used RAB4C104J Not used RS1/16S0R0J CEJQ2R2M50	RS1/16S470J Not used RS1/16S104J RS1/16S104J Not used	* (6/8) * (3/8)
	C183 C184 C185 C186, C187 C190	CKSRYB561K50 CEJQ101M10 CKSRYB102K50 CCSRCH270J50 CKSRYB472K50	Not used Not used Not used Not used Not used	
E	C333, C338, C344, C355, C368, C374, C377 C334, C339, C345, C369 C347 C348 C357	CKSRYB104K16 CKSRYB471K50 Not used Not used CEAT101M10	Not used Not used CKSRYB104K16 CKSRYB471K50 Not used	* (6/8) * (6/8)
	C375	CKSRYB472K50	Not used	

* : Refer to the stby parts of "3.13 - 3.20 DIGITAL MOTHER ASSY (1/8 - 8/8)" on the service manual RRV3261.

F

LF DIGITAL MOTHER ASSY (VSX-AX2AV-S)

XWP3011 and AWP7043 are constructed the same except for the following :

Mark	Symbol and Description	Part No.		Remarks
		AWP7043	XWP3011	
IC181		BU1924FS	Not used	
IC102		AYW7133	AYW7114	
IC202		AYW7080	AYW7115	
IC211		Not used	CD4094BPW	* (2/8)
IC310		Not used	TC74VHC541FTS1	* (6/8)
Q181		2SA1036K	Not used	
Q182		RT1N431M	Not used	
L181	CHIP SOLID INDUCTOR	QTL1013	Not used	
X181	CRYSTAL RESONATOR (4.332MHz)	ASS7004	Not used	
CN101	23P FFC CONNECTOR	52045-2345	CKS3388	
CN103	19P FFC CONNECTOR	52045-1945	CKS3384	
R141		Not used	RS1/16S473J	* (1/8)
R142		RS1/16S473J	Not used	
R181		RS1/16S473J	Not used	
R182		RS1/16S222J	Not used	
R183, R184, R185		RS1/16S102J	Not used	
R186, R187		RS1/16S101J	Not used	
R231		RS1/16S104J	Not used	
R242, R243		RS1/16S104J	RS1/16S0R0J	
R274		RS1/16S0R0J	RS1/16S473J	
R275, R416, R418, R474, R475, R562-R564		RS1/16S0R0J	Not used	
R662-R664, R762-R764		RS1/16S0R0J	Not used	
R391		Not used	RAB4C101J	* (6/8)
R392-R394, R555, R655, R755		Not used	RS1/16S101J	* (6/8)-(8/8)
R396		Not used	RAB4C470J	* (6/8)
R397-R399		Not used	RS1/16S470J	* (6/8)
R417, R419, R476, R477, R556, R557, R656, R657		Not used	RS1/16S0R0J	* (3/8,4/8,7/8)
R756, R757		Not used	RS1/16S0R0J	* (8/8)
R471		Not used	RS1/16S104J	* (3/8)
R474, R475		RS1/16S0R0J	RS1/16S104J	
C181		CEJQ2R2M50	Not used	
C183		CKSRYB561K50	Not used	
C184		CEJQ101M10	Not used	
C185		CKSRYB102K50	Not used	
C186, C187		CCSRCH270J50	Not used	
C190		CKSRYB472K50	Not used	
C201, C347		Not used	CKSRYB104K16	* (2/8, 6/8)
C348		Not used	CKSRYB471K50	* (6/8)

* : Refer to the stby parts of "3.13 - 3.20 DIGITAL MOTHER ASSY (1/8 - 8/8)" on the service manual RRV3261.

AAF PRIMARY ASSY

AWX8631 and AWX8629 are constructed the same except for the following :

Mark	Symbol and Description	Part No.		Remarks
		AWX8629	AWX8631	
△ △	H3063-H3066 FUSE CLIP	Not used	AKR7001	
	KN3062 SCREW TERMINAL	Not used	VNE1948	
	RY3061 POWER RELAY	XSR3003	ASR7022	
	T3061 STANDBY TRANSFORMER	ATT7040	XTT3006	
	CN3065 AC SOCKET 1-P	AKP1034	Not used	
NSP	J3061 BOARD IN JUMPER WIRED	Not used	ADB7025	
NSP	J3062 BOARD IN JUMPER WIRED	Not used	DB316EBO	
NSP	J3063 BOARD IN JUMPER WIRED	Not used	DB125EBO	
	R3063	RD1/4MUF101J	Not used	
	C3070	Not used	ACE7013	

ACF DISPLAY ASSY

XWZ4170, XWZ4172 and AWX8635 are constructed the same except for the following :

Mark	Symbol and Description	Part No.			Remarks
		AWX8635	XWZ4170	XWZ4172	
C	Q3356	Not used	UMB1N	UMB1N	*
	D3315	SLR-343BBT	SLR-343BBT	SLI-343URW	
	D3317	SLI-343DCW	SLI-343URW	SLI-343URW	
	D3320	SLI-343URW	SLI-343DCW	SLI-343DCW	
	D3351	Not used	DAN202U	DAN202U	*
	D3353	Not used	DAN217	DAN217	*
	D3357	Not used	1SS355	1SS355	*
	L3301	VTL1083	CTF1385	CTF1385	
	L3351	LFEA2R2J	LFEA2R2J	LFEA2R2J	
	R3305	RS1/16S391J	RS1/16S391J	RS1/16S331J	
	R3362	RS1/16S0R0J	RS1/16S392J	RS1/16S392J	
	R3363	RS1/16S0R0J	RS1/16S103J	RS1/16S103J	
R3364	Not used	RS1/16S223J	RS1/16S223J	*	
R3365	Not used	RS1/16S103J	RS1/16S103J	*	
R3375	Not used	RS1/16S0R0J	RS1/16S0R0J	*	
D	R3376	RS1/16S0R0J	Not used	Not used	
	C3352	Not used	CKSRYB153K50	CKSRYB153K50	*

* : Refer to the stby parts of "3.30 VOLUME, DISPLAY and INPUT SELECT ASSYS" on the service manual RRV3261.

AEF PREOUT & CONTROL ASSY

XWZ4176 and AWX8689 are constructed the same except for the following :

Mark	Symbol and Description	Part No.		Remarks
		AWX8689	XWZ4176	
E	L2933-L2935	VTL1083	CTF1385	
	R3000	Not used	RS1/16S750J	
	CN2801 26P FFC CONNECTOR	52045-2645	CKS3391	

PCB PARTS LIST

Mark	No.	Description	Part No.
AGF HDMI & 1394 ASSY (VSX-AX4ASi)			
MISCELLANEOUS			
△	IC 1	(A,107,120) REGULATOR IC	NJM2845DL1-33
	IC 101	(A,72,125) MICROCOMPUTER	PD5787A
	IC 102	(B,74,132) FLASH ROM	AYW7113
		FLASH MEMORY IC(4M)	S29AL004D70TFI010
	IC 103	(B,63,143) RESET IC	PST9245
	IC 104	(A,74,143) IC	TC74VHC125FTS1
	IC 201	(A,40,130) IEEE1394 PHY LINK	TSB43CA42ZGW
	IC 205	(A,56,114) IC	TC7SH08FUS1
	IC 301	(B,120,136) FLOW CONTROL IC	PD8112A
	IC 302	(B,92,131) IC	K4S641632K-UC75
	IC 303	(A,101,137) OP AMP IC	NJU7093AF
	IC 401	(A,153,130) DSD/PCM CONVERTER IC	SM5819AF
	IC 404	(B,157,145) IC	TC7SZ125FU
	IC 405	(B,123,106) IC	TC74LCX541FTS1
	IC 409	(B,142,134) IC	TC7SZ126FU
	IC 410	(A,135,144) VOLTAGE REGULATOR	S-L2980A25MC-C6K
	IC 461	(A,111,102) IC	TC74LCX541FTS1
	IC 462	(A,140,135) IC	TC74LCX541FTS1
	IC 463	(A,157,118) IC	TC74LCX157FTS1
	IC 464	(A,112,93) IC	TC74VHC00FTS1
	IC 465	(A,123,109) IC	TC74LCX541FTS1
	IC 466	(A,166,130) IC	TC74LCX541FTS1
	IC 467	(A,166,121) IC	TC74LCX541FTS1
	IC 501	(A,84,100) CPU	PEG118A
	IC 502	(B,89,100) FLASH ROM	AYW7107
		FLASH MEMORY IC(4M)	S29AL004D70TFI010
	IC 504	(A,53,96) IC	TC74VHC125FTS1
	IC 505	(A,109,78) LOGIC IC	CD4094BPW
	IC 506	(A,109,85) LOGIC IC	CD4094BPW
	IC 601	(B,164,37) VIDEO DECODER	ADV7401BSTZ-80
	IC 602	(B,178,33) IC	TC7WU04FU
	IC 701	(A,139,44) VIDEO ENCODER IC	ADV7322KSTZ
	IC 751	(A,117,32) VIDEO FILTER IC	FMS6403MTC
	IC 801	(A,65,68) HDMI RECEIVER	SII9033CTU
	IC 881	(A,89,76) IC	TC74LCX541FTS1
	IC 882	(A,101,71) IC	TC74LCX541FTS1
	IC 883	(A,101,62) IC	TC74LCX541FTS1
	IC 884	(A,101,53) IC	TC74LCX541FTS1
	IC 901	(A,48,28) HDMI TRANSMITER	SII9030CTU-7
△	IC 1001	(B,101,43) REGULATOR IC	NJM2885DL1-25
△	IC 1002	(B,85,43) REGULATOR IC	NJM2845DL1-33
△	IC 1003	(B,93,43) REGULATOR IC	NJM2845DL1-33
△	IC 1004	(A,85,42) DC/DC CONVERTER IC	BD9106FVM
△	IC 1051	(A,70,32) REGULATOR IC	PQ200WNA1ZPH
	IC 1101	(A,34,90) HDMI/DVI CABLE EQ	CXB1441R
	IC 1151	(A,34,45) HDMI/DVI CABLE EQ	CXB1441R
	IC 1201	(B,42,105) EEPROM	BR24L02FV-W
	IC 1202	(A,40,105) LOGIC IC	SN74CBT3257CPW
	IC 1203	(B,59,105) EEPROM	BR24L02FV-W
	IC 1204	(A,57,105) LOGIC IC	SN74CBT3257CPW
	IC 1205	(B,31,108) IC	TC7WBD125AFK
	IC 1206	(B,49,108) IC	TC7WBD125AFK
	IC 1251	(B,42,70) EEPROM	BR24L02FV-W
	IC 1252	(A,40,70) LOGIC IC	SN74CBT3257CPW
	IC 1253	(B,42,60) EEPROM	BR24L02FV-W
	IC 1254	(A,40,60) LOGIC IC	SN74CBT3257CPW

Mark	No.	Description	Part No.
	IC 1256	(B,31,73) IC	TC7WBD125AFK
	IC 1257	(B,31,63) IC	TC7WBD125AFK
	IC 1301	(A,145,85) IC(VIDEO FORMAT COV)	FLI2310-LF-CF
	IC 1351	(B,145,70) 64M SDRAM	EDS6432AFTA-6B
	IC 1381	(B,124,66) IC	TC74LCX541FTS1
	IC 1382	(B,124,48) IC	TC74LCX541FTS1
	IC 1383	(B,127,57) IC	TC74LCX541FTS1
Q	101	(A,86,135) DIGITAL TR(SC-70)	RT1P241M
Q	301	(B,103,135) DIGITAL TR(SC-70)	RT1P241M
Q	401	(B,151,126) DIGITAL TR(SC-70)	RT1P431M
Q	461	(B,151,121) DIGITAL TRANSISTOR	DTC124EUA
Q	462	(B,122,99) DIGITAL TRANSISTOR	DTC124EUA
Q	463	(B,167,124) DIGITAL TRANSISTOR	DTC124EUA
Q	464	(A,124,103) CHIP TRANSISTOR	RN4903
Q	465	(B,170,132) CHIP TRANSISTOR	RN4903
Q	751	(B,114,34) TRANSISTOR	2SA1576A
Q	752	(B,117,34) CHIP TRANSISTOR	DTC114YUA
Q	771	(A,151,26) TRANSISTOR	2SA1576A
Q	781	(A,145,26) TRANSISTOR	2SA1576A
Q	791	(A,139,26) TRANSISTOR	2SA1576A
Q	801	(B,58,82) DUAL MOS FET	HN1K02FU
Q	901	(B,38,29) CHIP DIGITAL TRANS.	DTA124EUA
Q	951	(B,32,24) CHIP TR (PNP X 2)	UMB1N
Q	952	(B,31,27) CHIP TRANSISTOR	DTC114YUA
Q	953	(A,25,24) DUAL MOS FET	HN1K02FU
Q	1051	(A,63,25) TRANSISTOR	2SA1576A
Q	1052	(A,63,32) DIGITAL TRANSISTOR	DTC124EUA
Q	1101	(A,23,110) CHIP TRANSISTOR	DTC114YUA
Q	1102	(A,24,89) CHIP TRANSISTOR	DTC114YUA
Q	1103	(B,40,92) CHIP TRANSISTOR	2SB1689
Q	1104	(B,36,96) CHIP TRANSISTOR	DTC114YUA
Q	1151	(A,25,65) CHIP TRANSISTOR	DTC114YUA
Q	1152	(A,24,43) CHIP TRANSISTOR	DTC114YUA
Q	1153	(B,40,47) CHIP TRANSISTOR	2SB1689
Q	1154	(B,36,51) CHIP TRANSISTOR	DTC114YUA
Q	1201	(B,37,109) CHIP TRANSISTOR	DTC114YUA
Q	1202	(B,55,109) CHIP TRANSISTOR	DTC114YUA
Q	1203	(A,48,106) CHIP TRANSISTOR	DTC114YUA
Q	1251	(B,36,74) CHIP TRANSISTOR	DTC114YUA
Q	1252	(B,36,64) CHIP TRANSISTOR	DTC114YUA
Q	1253	(B,32,78) CHIP TRANSISTOR	DTC114YUA
Q	1281	(B,31,69) DUAL MOS FET	HN1K02FU
D	102	(B,64,120) CHIP DIODE	RB501V-40
D	461	(A,119,103) DIODE	1SS355
D	462	(B,171,130) DIODE	1SS355
D	463	(B,148,126) DIODE	DAP202U
D	551	(B,102,103) CHIP DIODE	RB501V-40
D	801	(B,57,89) DIODE	DAN202U
D	802	(B,50,68) DIODE	DAN202U
D	981	(A,19,25) DIODE	UDZS5R1(B)
D	1101	(A,21,116) DIODE	DAN202U
D	1102	(A,18,92) DIODE	DAN202U
D	1151	(A,18,70) DIODE	DAN202U
D	1152	(A,18,47) DIODE	DAN202U
L	1	(A,112,119) CHIP SOLID INDUCTOR	ATL7002
L	101	(B,57,119) CHIP SOLID INDUCTOR	ATL7002
L	201	(B,24,131) CHIP SOLID INDUCTOR	ATL7002
L	202	(B,55,132) CHIP SOLID INDUCTOR	ATL7002

Mark	No.	Description	Part No.
	L 203	(A,98,125) CHIP SOLID INDUCTOR	ATL7002
	⚠ L 204	(A,22,124) COIL	ATH7015
A	⚠ L 205	(A,22,126) COIL	ATH7015
	⚠ L 206	(A,22,140) COIL	ATH7015
	⚠ L 207	(A,22,143) COIL	ATH7015
	L 301	(A,136,116) CHIP SOLID INDUCTOR	ATL7002
	L 302	(A,88,124) CHIP SOLID INDUCTOR	ATL7002
	L 401	(B,162,124) CHIP SOLID INDUCTOR	ATL7002
	L 404	(A,135,148) CHIP SOLID INDUCTOR	ATL7002
	L 405	(A,148,141) CHIP SOLID INDUCTOR	ATL7002
	L 461	(A,145,139) CHIP SOLID INDUCTOR	ATL7002
	L 462	(A,108,98) CHIP SOLID INDUCTOR	ATL7002
	L 501	(B,57,93) CHIP SOLID INDUCTOR	ATL7002
B	L 601	(A,171,49) CHIP SOLID INDUCTOR	ATL7002
	L 602	(A,174,27) CHIP SOLID INDUCTOR	ATL7002
	L 603	(A,152,40) CHIP SOLID INDUCTOR	ATL7002
	L 604	(A,166,14) CHIP SOLID INDUCTOR	ATL7002
	L 701	(B,148,41) CHIP SOLID INDUCTOR	ATL7002
	L 702	(B,136,42) CHIP SOLID INDUCTOR	ATL7002
	L 703	(B,144,49) CHIP SOLID INDUCTOR	ATL7002
	L 771	(A,148,31) INDUCTOR	LCTC100K2125
	L 781	(A,143,31) INDUCTOR	LCTC100K2125
	L 791	(A,137,31) INDUCTOR	LCTC100K2125
C	L 801	(B,80,52) CHIP BEADS	ATL7010
	L 803	(B,50,88) CHIP BEADS	ATL7010
	L 804	(B,45,55) CHIP BEADS	ATL7010
	L 902	(B,35,30) CHIP BEADS	ATL7010
	L 904	(B,45,36) CHIP BEADS	ATL7010
	L 905	(B,60,45) CHIP BEADS	ATL7010
	⚠ L 951	(A,27,12) COIL	ATH7022
	⚠ L 952	(A,27,15) COIL	ATH7022
	⚠ L 953	(A,27,18) COIL	ATH7022
	⚠ L 954	(A,27,20) COIL	ATH7022
	L 1002	(A,78,46) INDUCTOR	ATL7012
D	L 1018	CHIP BEADS	ATL7010
	L 1028	CHIP BEADS	ATL7010
	L 1101	(B,40,89) CHIP BEADS	ATL7010
	L 1151	(B,40,44) CHIP BEADS	ATL7010
	L 1301	(B,166,107) CHIP SOLID INDUCTOR	ATL7002
	L 1302	(B,153,108) CHIP SOLID INDUCTOR	ATL7002
	L 1303	(A,152,108) CHIP SOLID INDUCTOR	ATL7002
	L 1304	(A,159,108) CHIP SOLID INDUCTOR	ATL7002
	L 1305	(A,161,111) CHIP SOLID INDUCTOR	ATL7002
	L 1351	(B,167,71) CHIP SOLID INDUCTOR	ATL7002
E	JA 201	(A,13,141) 1394-TERMINAL	VKN1800
	JA 202	(A,13,125) 1394-TERMINAL	VKN1800
	JA 901	(A,14,13) HDMI CONNECTOR	AKP7210
	JA 1101	(A,14,103) HDMI CONNECTOR	AKP7210
	JA 1102	(A,14,81) HDMI CONNECTOR	AKP7210
	JA 1151	(A,14,58) HDMI CONNECTOR	AKP7210
	JA 1152	(A,14,36) HDMI CONNECTOR	AKP7210
	X 101	(A,72,113) CERAMIC RESONATOR (6.14 MHz)	VSS1179
	X 201	(A,34,116) CERAMIC RESONATOR (24.5760 MHz)	ASS7055
	X 302	(B,130,121) CERAMIC RESONATOR (22.5792 MHz)	ASS7054
F	X 501	(A,83,88) CERAMIC RESONATOR (15.7 MHz)	XSS3004
	X 601	(B,179,24) CERAMIC RESONATOR (28.63636 MHz)	ASS7069

Mark	No.	Description	Part No.
X	801	(A,68,49) CERAMIC RESONATOR (27.000 MHz)	ASS7068
X	1301	(A,141,106) CERAMIC RESONATOR (13.5 MHz)	ASS7070
CN	101	(A,34,148) 07P CONNECTOR	RKN1048
CN	501	(A,51,148) 07P CONNECTOR	RKN1048
CN	1001	(A,70,18) CONNECTOR	CKS4668
CN	1002	(A,102,18) CONNECTOR ID LABEL ASSY	CKS4898 VXW1005

RESISTORS

R	102	(A,64,114)	RS1/16SS101J
R	103	(A,65,114)	RS1/16SS472J
R	104	(A,67,114)	RS1/16SS472J
R	106	(B,75,120)	RS1/16SS472J
R	109	(A,83,119)	RS1/16SS101J
R	110	(A,83,120)	RS1/16SS101J
R	111	(A,83,121)	RS1/16SS101J
R	113	(A,86,120)	RS1/16SS103J
R	114	(A,86,121)	RS1/16SS103J
R	115	(A,86,122)	RS1/16SS472J
R	116	(A,84,124)	RS1/16SS101J
R	117	(A,86,125)	RS1/16SS103J
R	118	(A,82,126)	RS1/16SS101J
R	119	(A,82,128) RESISTOR ARRAY	RAB4CQ101J
R	122	(A,86,128) RESISTOR ARRAY	RAB4CQ103J
R	123	(A,82,131)	RS1/16SS101J
R	124	(A,84,131)	RS1/16SS103J
R	125	(A,82,132)	RS1/16SS101J
R	126	(A,80,136)	RS1/16SS101J
R	127	(A,78,136) RESISTOR ARRAY	RAB4CQ101J
R	128	(A,76,136) RESISTOR ARRAY	RAB4CQ101J
R	129	(A,70,136) RESISTOR ARRAY	RAB4CQ101J
R	130	(A,68,136) RESISTOR ARRAY	RAB4CQ101J
R	131	(A,62,123)	RS1/16SS101J
R	132	(A,62,119)	RS1/16SS472J
R	135	(B,64,125) RESISTOR ARRAY	RAB4CQ472J
R	136	(B,64,128) RESISTOR ARRAY	RAB4CQ472J
R	137	(B,64,131) RESISTOR ARRAY	RAB4CQ472J
R	138	(B,66,134) RESISTOR ARRAY	RAB4CQ472J
R	139	(B,79,144)	RS1/16SS472J
R	140	(B,36,145)	RS1/16SS103J
R	141	(B,34,145)	RS1/16SS103J
R	142	(B,63,118)	RS1/16SS0R0J
R	143	(A,69,142)	RS1/16SS103J
R	144	(A,69,143)	RS1/16SS470J
R	145	(A,69,144)	RS1/16SS472J
R	146	(A,69,145)	RS1/16SS470J
R	147	(A,86,137)	RS1/16SS472J
R	148	(B,61,139)	RS1/16SS101J
R	149	(B,62,139)	RS1/16SS472J
R	201	(A,33,141)	RS1/16SS472J
R	202	(A,32,141)	RS1/16SS472J
R	203	(B,28,134)	RS1/16SS101J
R	204	(B,35,132)	RS1/16SS101J
R	205	(B,31,139) RESISTOR ARRAY	RAB4CQ101J
R	206	(B,29,131) RESISTOR ARRAY	RAB4CQ472J
R	207	(B,40,125)	RS1/16SS472J
R	208	(B,36,130)	RS1/16SS472J
R	209	(B,27,118)	RS1/16SS0R0J
R	210	(B,29,118)	RS1/16SS0R0J

Mark	No.	Description	Part No.	Mark	No.	Description	Part No.
R	211	(A,29,122)	RS1/16SS103J	R	295	(A,93,124)	RS1/16SS0R0J
R	212	(A,30,122)	RS1/16SS103J	R	301	(A,130,145)	RS1/16SS470J
R	213	(A,31,120) CHIP RESISTOR	RS1/16S6341D	R	302	(A,127,138) RESISTOR ARRAY	RAB4CQ680J
R	214	(B,39,122)	RS1/16SS0R0J	R	303	(B,134,143)	RS1/16SS680J
R	215	(B,39,121)	RS1/16SS0R0J	R	304	(B,134,142)	RS1/16SS680J
R	216	(A,41,115) RESISTOR ARRAY	RAB4CQ472J	R	305	(B,134,141)	RS1/16SS680J
R	217	(B,40,124)	RS1/16SS472J	R	307	(A,134,137)	RS1/16SS470J
R	218	(A,54,117)	RS1/16SS472J	R	308	(A,135,135) RESISTOR ARRAY	RAB4CQ470J
R	219	(A,43,115)	RS1/16SS472J	R	309	(A,134,131)	RS1/16SS470J
R	220	(A,46,115) RESISTOR ARRAY	RAB4CQ472J	R	310	(A,134,130)	RS1/16SS470J
R	221	(A,49,115) RESISTOR ARRAY	RAB4CQ472J	R	325	(A,128,130)	RS1/16SS470J
R	222	(A,51,115)	RS1/16SS472J	R	326	(B,127,121)	RS1/16SS101J
R	223	(A,51,120) RESISTOR ARRAY	RAB4CQ472J	R	327	(A,124,129)	RS1/16SS0R0J
R	224	(A,51,122)	RS1/16SS472J	R	328	(A,60,121)	RS1/16SS101J
R	225	(A,53,122)	RS1/16SS472J	R	329	(A,60,120)	RS1/16SS103J
R	226	(A,51,123)	RS1/16SS472J	R	332	(A,113,134)	RS1/16SS101J
R	227	(A,53,117)	RS1/16SS472J	R	333	(B,107,134)	RS1/16SS101J
R	228	(A,53,124)	RS1/16SS472J	R	339	(B,106,146) RESISTOR ARRAY	RAB4CQ470J
R	229	(A,51,124)	RS1/16SS472J	R	340	(B,103,147) RESISTOR ARRAY	RAB4CQ470J
R	230	(A,53,126) RESISTOR ARRAY	RAB4CQ101J	R	341	(A,112,147)	RS1/16SS470J
R	231	(A,53,129) RESISTOR ARRAY	RAB4CQ101J	R	342	(A,112,148)	RS1/16SS470J
R	232	(A,55,131) RESISTOR ARRAY	RAB4CQ101J	R	343	(A,114,143) RESISTOR ARRAY	RAB4CQ470J
R	233	(A,56,134) RESISTOR ARRAY	RAB4CQ101J	R	344	(A,117,143) RESISTOR ARRAY	RAB4CQ470J
R	234	(A,52,140) RESISTOR ARRAY	RAB4CQ472J	R	345	(A,117,138) RESISTOR ARRAY	RAB4CQ470J
R	235	(A,51,137)	RS1/16SS472J	R	346	(A,121,136) RESISTOR ARRAY	RAB4CQ470J
R	236	(A,49,140)	RS1/16SS472J	R	347	(A,121,142) RESISTOR ARRAY	RAB4CQ470J
R	237	(A,48,140)	RS1/16SS472J	R	348	(A,123,135)	RS1/16SS470J
R	238	(A,46,141) RESISTOR ARRAY	RAB4CQ472J	R	349	(A,124,135)	RS1/16SS470J
R	239	(A,43,142) RESISTOR ARRAY	RAB4CQ472J	R	350	(A,124,141) RESISTOR ARRAY	RAB4CQ470J
R	240	(A,40,143) RESISTOR ARRAY	RAB4CQ472J	R	351	(A,102,141)	RS1/16SS123J
R	241	(B,42,138)	RS1/16SS101J	R	352	(A,101,141)	RS1/16SS271J
R	242	(B,41,135)	RS1/16SS472J	R	353	(A,110,141)	RS1/16SS472J
R	243	(B,42,135)	RS1/16SS472J	R	354	(A,104,136)	RS1/16SS223J
R	244	(A,38,141)	RS1/16SS472J	R	355	(A,104,138)	RS1/16SS223J
R	245	(B,40,143) RESISTOR ARRAY	RAB4CQ101J	R	356	(A,110,138)	RS1/16SS0R0J
R	246	(B,37,142) RESISTOR ARRAY	RAB4CQ101J	R	357	(A,110,137)	RS1/16SS0R0J
R	247	(A,36,141)	RS1/16SS472J	R	381	(B,134,136) RESISTOR ARRAY	RAB4CQ470J
R	251	(A,34,141)	RS1/16SS472J	R	382	(B,134,138)	RS1/16SS470J
R	252	(B,35,139)	RS1/16SS101J	R	401	(A,160,131)	RS1/16SS680J
R	253	(B,44,124)	RS1/16SS101J	R	402	(A,160,133) RESISTOR ARRAY	RAB4CQ680J
R	254	(A,46,120)	RS1/16SS101J	R	403	(A,154,138)	RS1/16SS101J
R	261	(A,92,138)	RS1/16SS0R0J	R	404	(B,149,134)	RS1/16SS221J
R	262	(A,92,137)	RS1/16SS0R0J	R	405	(B,149,133)	RS1/16SS221J
R	265	(B,30,135)	RS1/16SS470J	R	406	(B,149,132)	RS1/16SS221J
R	266	(B,35,134)	RS1/16SS470J	R	407	(B,149,130) RESISTOR ARRAY	RAB4CQ221J
R	267	(B,24,123)	RS1/16SS56R0D	R	411	(A,145,127)	RS1/16SS101J
R	268	(B,24,124)	RS1/16SS56R0D	R	412	(A,152,122)	RS1/16SS0R0J
R	269	(B,24,139)	RS1/16SS56R0D	R	418	(B,142,136)	RS1/16SS101J
R	270	(B,24,141)	RS1/16SS56R0D	R	425	(B,143,131)	RS1/16SS101J
R	271	(B,24,125)	RS1/16SS56R0D	R	436	(B,156,142)	RS1/16SS221J
R	272	(B,24,127)	RS1/16SS56R0D	R	437	(B,155,145)	RS1/16SS101J
R	273	(B,24,142)	RS1/16SS56R0D	R	441	(B,118,104)	RS1/16SS0R0J
R	274	(B,24,143)	RS1/16SS56R0D	R	442	(B,129,103)	RS1/16SS101J
R	275	(B,24,128)	RS1/16SS5101F	R	443	(B,129,104)	RS1/16SS101J
R	276	(B,24,144)	RS1/16SS5101F	R	444	(B,129,106)	RS1/16SS101J
R	289	(A,36,120)	RS1/16SS101J	R	445	(B,129,108) RESISTOR ARRAY	RAB4CQ101J
R	290	(A,38,117)	RS1/16SS220J	R	456	(B,157,142)	RS1/16SS0R0J
R	291	(A,92,135)	RS1/16SS0R0J	R	463	(A,118,111)	RS1/16SS0R0J
R	292	(A,92,136)	RS1/16SS0R0J	R	464	(A,118,93)	RS1/16SS103J
R	294	(A,93,125)	RS1/16SS0R0J	R	466	(B,147,123)	RS1/16SS0R0J

	Mark No.	Description	Part No.	Mark No.	Description	Part No.
A	R 468	(B,120,102)	RS1/16SS103J	R 602	(B,158,47)	RS1/16SS470J
	R 469	(B,167,120)	RS1/16SS101J	R 603	(B,162,48) RESISTOR ARRAY	RAB4CQ470J
	R 471	(A,127,103)	RS1/16SS103J	R 604	(B,165,47)	RS1/16SS330J
	R 472	(B,170,134)	RS1/16SS103J	R 605	(B,167,47)	RS1/16SS330J
	R 473	(B,169,126)	RS1/16SS103J	R 606	(B,168,47)	RS1/16SS330J
■	R 474	(A,129,111)	RS1/16SS390J	R 607	(B,170,49) RESISTOR ARRAY	RAB4CQ560J
	R 475	(A,129,110)	RS1/16SS101J	R 608	(A,172,43)	RS1/16SS560J
	R 476	(A,129,109)	RS1/16SS101J	R 609	(A,172,42)	RS1/16SS560J
	R 477	(A,129,107) RESISTOR ARRAY	RAB4CQ101J	R 610	(A,172,41)	RS1/16SS103J
	R 478	(A,172,133)	RS1/16SS390J	R 611	(A,172,38)	RS1/16SS100J
B	R 479	(A,172,132)	RS1/16SS101J	R 612	(A,172,35)	RS1/16SS560J
	R 480	(A,172,131)	RS1/16SS101J	R 613	(A,172,34)	RS1/16SS560J
	R 481	(A,172,129) RESISTOR ARRAY	RAB4CQ101J	R 614	(B,178,30)	RS1/16SS105J
	R 482	(A,172,124)	RS1/16SS390J	R 615	(B,181,30)	RS1/16SS331J
	R 483	(A,172,122)	RS1/16SS101J	R 616	(B,175,37)	RS1/16SS101J
■	R 484	(A,172,121)	RS1/16SS101J	R 617	(B,181,35)	RS1/16SS0R0J
	R 485	(A,172,119) RESISTOR ARRAY	RAB4CQ101J	R 618	(A,175,32)	RS1/16SS132J
	R 486	(A,160,129)	RS1/16SS100J	R 619	(A,173,32)	RS1/16SS391J
	R 506	(A,80,87)	RS1/16SS221J	R 621	(B,174,17)	RS1/10S0R0J
	R 508	(B,84,91)	RS1/16SS472J	R 622	(B,174,14)	RS1/10S0R0J
C	R 511	(A,87,87)	RS1/16SS101J	R 623	(A,169,29)	RS1/16SS103J
	R 517	(A,91,87)	RS1/16SS101J	R 624	(A,164,32)	RS1/16SS272J
	R 520	(B,78,83)	RS1/16SS103J	R 625	(A,165,32)	RS1/16SS272J
	R 524	(B,92,87)	RS1/16SS100J	R 631	(B,151,32)	RS1/16SS471J
	R 525	(A,93,87)	RS1/16SS100J	R 632	(B,154,35)	RS1/16SS103J
■	R 526	(A,99,89)	RS1/16SS100J	R 634	(B,154,36)	RS1/16SS330J
	R 527	(A,99,90)	RS1/16SS100J	R 635	(B,154,37)	RS1/16SS330J
	R 528	(A,99,97)	RS1/16SS470J	R 636	(B,154,40) RESISTOR ARRAY	RAB4CQ470J
	R 529	(A,99,99)	RS1/16SS473J	R 637	(B,154,42)	RS1/16SS470J
	R 530	(B,95,82)	RS1/16SS222J	R 638	(B,154,43)	RS1/16SS470J
D	R 531	(B,96,82)	RS1/16SS222J	R 661	(B,152,53) RESISTOR ARRAY	RAB4CQ473J
	R 533	(A,101,89)	RS1/16SS472J	R 662	(B,152,50) RESISTOR ARRAY	RAB4CQ473J
	R 534	(A,101,90)	RS1/16SS472J	R 663	(B,152,58) RESISTOR ARRAY	RAB4CQ473J
	R 537	(A,75,87)	RS1/16SS101J	R 664	(B,152,56) RESISTOR ARRAY	RAB4CQ473J
	R 538	(B,74,87)	RS1/16SS101J	R 665	(A,172,39)	RS1/16SS473J
■	R 539	(A,69,93)	RS1/16SS101J	R 666	(B,152,47) RESISTOR ARRAY	RAB4CQ473J
	R 540	(A,48,96)	RS1/16SS470J	R 701	(A,149,36)	RS1/16SS1501F
	R 541	(A,59,96)	RS1/16SS103J	R 702	(A,151,36)	RS1/16SS1501F
	R 542	(A,59,97)	RS1/16SS470J	R 703	(A,151,35)	RS1/16SS390J
	R 543	(A,59,95)	RS1/16SS472J	R 704	(A,133,37)	RS1/16SS681J
■	R 544	(A,59,94)	RS1/16SS470J	R 705	(A,134,36)	RS1/16SS1501F
	R 546	(A,99,94)	RS1/16SS101J	R 706	(A,132,36)	RS1/16SS1501F
	R 549	(A,99,98)	RS1/16SS473J	R 707	(A,130,36)	RS1/16SS390J
	R 551	(B,77,105)	RS1/16SS473J	R 708	(A,128,39)	RS1/16SS471J
	R 561	(B,86,91)	RS1/16SS103J	R 709	(A,128,40)	RS1/16SS103J
E	R 562	(B,87,91)	RS1/16SS103J	R 710	(A,131,46)	RS1/16SS470J
	R 564	(B,89,91)	RS1/16SS103J	R 711	(A,131,47)	RS1/16SS470J
	R 565	(B,90,91)	RS1/16SS103J	R 712	(B,133,47)	RS1/16SS103J
	R 567	(B,91,91)	RS1/16SS103J	R 713	(B,138,46)	RS1/16SS472J
	R 569	(A,99,105)	RS1/16SS103J	R 714	(A,148,43)	RS1/16SS0R0J
■	R 571	(B,53,145)	RS1/16SS103J	R 715	(A,148,40)	RS1/16SS0R0J
	R 574	(A,99,101)	RS1/16SS473J	R 716	(A,148,42)	RS1/16SS473J
	R 575	(A,99,104)	RS1/16SS101J	R 717	(A,148,41)	RS1/16SS473J
	R 576	(A,99,103)	RS1/16SS101J	R 718	(A,149,38)	RS1/16SS103J
	R 577	(A,97,110)	RS1/16SS101J	R 719	(A,132,30) CHIP RESISTOR	RS1/16SS3000F
F	R 581	(A,99,106)	RS1/16SS101J	R 720	(A,131,32) CHIP RESISTOR	RS1/16SS3000F
	R 586	(B,75,91)	RS1/16SS103J	R 721	(A,130,33) CHIP RESISTOR	RS1/16SS3000F
	R 588	(B,94,91)	RS1/16SS103J	R 751	(B,114,31)	RS1/16SS473J
	R 594	(B,89,82)	RS1/16SS0R0J	R 752	(B,116,31)	RS1/16SS821J
	R 601	(A,160,43)	RS1/16SS101J	R 771	(A,149,24)	RS1/16SS471J

Mark	No.	Description	Part No.	Mark	No.	Description	Part No.
R	773	(A,150,29)	RS1/16SS2701F	R	915	(A,44,18)	RS1/16SS100J
R	774	(A,151,33) CHIP RESISTOR	RS1/16SS3300F	R	916	(B,44,20)	RS1/16SS471J
R	781	(A,143,24)	RS1/16SS471J	R	918	(B,42,20)	RS1/16SS472J
R	783	(A,145,29)	RS1/16SS2701F	R	919	(B,40,33)	RS1/10S0R0J
R	784	(A,145,33) CHIP RESISTOR	RS1/16SS3300F	R	920	(B,41,30)	RS1/16S3901F
R	791	(A,136,25)	RS1/16SS471J	R	925	(B,59,26)	RS1/16SS150J
R	793	(A,139,29)	RS1/16SS2701F	R	926	(A,44,37)	RS1/16SS100J
R	794	(A,139,33) CHIP RESISTOR	RS1/16SS3300F	R	927	(A,42,37)	RS1/16SS100J
R	801	(A,59,82) RESISTOR ARRAY	RAB4CQ100J	R	931	(A,60,36) RESISTOR ARRAY	RAB4CQ473J
R	802	(A,80,80) RESISTOR ARRAY	RAB4CQ470J	R	932	(B,60,27)	RS1/16SS473J
R	803	(A,60,82)	RS1/16SS100J	R	933	(A,60,31) RESISTOR ARRAY	RAB4CQ473J
R	804	(A,62,82)	RS1/16SS100J	R	934	(A,60,28) RESISTOR ARRAY	RAB4CQ473J
R	805	(B,55,82)	RS1/16SS103J	R	935	(A,60,25) RESISTOR ARRAY	RAB4CQ473J
R	806	(B,60,78)	RS1/16SS103J	R	936	(A,59,22) RESISTOR ARRAY	RAB4CQ473J
R	807	(A,65,83) RESISTOR ARRAY	RAB4CQ470J	R	937	(B,51,21) RESISTOR ARRAY	RAB4CQ473J
R	808	(A,68,83) RESISTOR ARRAY	RAB4CQ470J	R	938	(B,47,21) RESISTOR ARRAY	RAB4CQ473J
R	809	(A,70,82)	RS1/16SS470J	R	951	(B,30,23)	RS1/16SS472J
R	810	(B,70,77)	RS1/16SS470J	R	952	(B,35,23)	RS1/16SS472J
R	811	(B,59,62)	RS1/16SS101J	R	953	(B,30,25)	RS1/16SS272J
R	812	(A,57,54)	RS1/16SS470J	R	954	(B,35,24)	RS1/16SS272J
R	813	(A,60,51)	RS1/16SS680J	R	955	(A,23,25)	RS1/16SS472J
R	815	(A,76,54)	RS1/16SS472J	R	956	(A,28,25)	RS1/16SS472J
R	818	(A,68,55)	RS1/16SS105J	R	986	(A,16,23)	RS1/16SS473J
R	822	(A,61,51)	RS1/16SS470J	R	989	(A,16,26)	RS1/16SS102J
R	823	(A,64,54)	RS1/16SS100J	R	1016	(B,69,41)	RS1/10S100J
R	824	(A,68,53)	RS1/16SS152J	R	1017	(B,109,33)	RS1/10S0R0J
R	825	(A,58,51) RESISTOR ARRAY	RAB4CQ680J	R	1019	(B,104,35)	RS1/10S0R0J
R	826	(A,80,76) RESISTOR ARRAY	RAB4CQ470J	R	1020	(B,88,35)	RS1/10S0R0J
R	827	(A,80,73) RESISTOR ARRAY	RAB4CQ470J	R	1021	(B,96,35)	RS1/10S0R0J
R	828	(A,80,70) RESISTOR ARRAY	RAB4CQ220J	R	1022	(A,91,42) CHIP RESISTOR	RS1/16SS1502F
R	829	(A,80,67) RESISTOR ARRAY	RAB4CQ220J	R	1023	(A,90,42) CHIP RESISTOR	RS1/16SS1202F
R	830	(A,80,63) RESISTOR ARRAY	RAB4CQ220J	R	1024	(A,89,42)	RS1/16SS273J
R	831	(A,80,60) RESISTOR ARRAY	RAB4CQ220J	R	1026	(A,73,41)	RS1/10S0R0J
R	832	(A,80,65)	RS1/16SS220J	R	1027	(A,73,43)	RS1/10S0R0J
R	839	(A,54,85)	RS1/10S0R0J	R	1052	(A,62,17)	RS1/10S6R8J
R	847	(A,71,53)	RS1/16SS0R0J	R	1053	(A,62,19)	RS1/10S6R8J
R	848	(A,73,53)	RS1/16SS0R0J	R	1054	(A,65,25)	RS1/16SS102J
R	849	(A,75,54)	RS1/16SS472J	R	1056	(A,63,28)	RS1/16SS333J
R	850	(B,69,63)	RS1/16SS471J	R	1057	(A,65,27)	RS1/16SS103J
R	851	(B,70,63)	RS1/16SS221J	R	1058	(A,71,24)	RS1/16SS2001F
R	852	(B,72,63)	RS1/16SS221J	R	1059	(A,69,40) CHIP RESISTOR	RS1/16SS1801F
R	853	(B,58,86)	RS1/16SS103J	R	1061	(A,72,24)	RS1/16SS0R0J
R	855	(B,57,86)	RS1/16SS104J	R	1091	(A,97,27)	RS1/10S0R0J
R	856	(B,56,84)	RS1/16SS103J	R	1092	(A,97,24)	RS1/10S0R0J
R	857	(B,58,79)	RS1/16SS104J	R	1101	(A,20,108)	RS1/16SS102J
R	858	(B,61,79)	RS1/16SS103J	R	1103	(A,21,113)	RS1/16SS473J
R	859	(B,58,78)	RS1/16SS103J	R	1104	(A,20,85)	RS1/16SS102J
R	881	(A,95,77) RESISTOR ARRAY	RAB4CQ220J	R	1106	(A,21,93)	RS1/16SS473J
R	882	(A,94,75)	RS1/16SS150J	R	1107	(B,40,94)	RS1/16SS473J
R	883	(A,107,71) RESISTOR ARRAY	RAB4CQ470J	R	1108	(B,38,94)	RS1/16SS271J
R	884	(A,107,68) RESISTOR ARRAY	RAB4CQ470J	R	1109	(A,28,83)	RS1/16SS102J
R	885	(A,107,62) RESISTOR ARRAY	RAB4CQ220J	R	1110	(A,39,83) CHIP RESISTOR	RS1/16SS4701F
R	886	(A,107,59) RESISTOR ARRAY	RAB4CQ220J	R	1115	(A,39,97)	RS1/16SS101J
R	887	(A,107,53) RESISTOR ARRAY	RAB4CQ220J	R	1116	(A,29,96)	RS1/16SS101J
R	888	(A,107,50) RESISTOR ARRAY	RAB4CQ220J	R	1151	(A,21,63)	RS1/16SS102J
R	903	(A,50,37)	RS1/16SS100J	R	1153	(A,21,70)	RS1/16SS473J
R	906	(A,46,37)	RS1/16SS101J	R	1154	(A,21,40)	RS1/16SS102J
R	912	(B,41,28) CHIP RESISTOR	RS1/16S4750F	R	1156	(A,21,47)	RS1/16SS473J
R	913	(A,39,34)	RS1/16SS472J	R	1157	(B,40,49)	RS1/16SS473J
R	914	(A,44,16)	RS1/16SS100J	R	1158	(B,38,49)	RS1/16SS271J

Mark	No.	Description	Part No.	Mark	No.	Description	Part No.
	R 1159	(A,28,38)	RS1/16SS102J	R 1387	(B,121,58)	RESISTOR ARRAY	RAB4CQ680J
A	R 1160	(A,39,38) CHIP RESISTOR	RS1/16SS4701F	R 1388	(B,121,55)	RESISTOR ARRAY	RAB4CQ680J
	R 1165	(A,39,52)	RS1/16SS101J	R 1389	(B,115,69)		RS1/16SS473J
	R 1166	(A,29,51)	RS1/16SS101J	R 1390	(B,115,67)		RS1/16SS473J
	R 1201	(B,36,106)	RS1/16SS103J	R 1391	(B,115,66)		RS1/16SS473J
	R 1202	(B,36,104)	RS1/16SS103J	R 1392	(B,115,65)		RS1/16SS473J
	R 1203	(B,37,101)	RS1/16SS103J	R 1393	(B,129,92)	RESISTOR ARRAY	RAB4CQ473J
	R 1204	(B,37,106)	RS1/16SS101J	R 1394	(B,129,89)	RESISTOR ARRAY	RAB4CQ473J
	R 1205	(B,37,104)	RS1/16SS100J	R 1395	(A,114,49)	RESISTOR ARRAY	RAB4CQ473J
	R 1206	(B,37,102)	RS1/16SS100J	R 1396	(A,114,46)	RESISTOR ARRAY	RAB4CQ473J
	R 1207	(B,53,106)	RS1/16SS103J	R 1397	(A,117,58)	RESISTOR ARRAY	RAB4CQ473J
	R 1208	(B,53,104)	RS1/16SS103J	R 1398	(A,117,55)	RESISTOR ARRAY	RAB4CQ473J
	R 1209	(B,54,101)	RS1/16SS103J	R 2003			RS1/16SS0R0J
B	R 1210	(B,55,106)	RS1/16SS101J	R 2004			RS1/16SS0R0J
	R 1211	(B,55,104)	RS1/16SS100J	R 2007			RS1/16SS0R0J
	R 1212	(B,54,102)	RS1/16SS100J	R 2008			RS1/16SS0R0J
	R 1213	(A,49,109)	RS1/16SS103J	R 2011			RS1/16SS0R0J
	R 1214	(B,29,105)	RS1/16SS101J	R 2012			RS1/16SS0R0J
	R 1215	(A,29,109)	RS1/16SS472J	CAPACITORS			
	R 1216	(A,47,109)	RS1/16SS472J	C 1	(A,111,123)		CKSSYB104K10
	R 1251	(B,36,71)	RS1/16SS103J	C 3	(A,102,120)		CKSQYB225K10
	R 1252	(B,36,69)	RS1/16SS103J	C 101	(B,69,120)		CKSSYB103K16
	R 1253	(B,37,66)	RS1/16SS103J	C 102	(B,72,121)		CKSSYB104K10
	R 1254	(B,37,71)	RS1/16SS101J	C 103	(B,57,124)		CEVW101M16
C	R 1255	(B,37,69)	RS1/16SS100J	C 104	(B,60,119)		CKSSYB104K10
	R 1256	(B,37,67)	RS1/16SS100J	C 105	(A,73,135)		CKSSYB104K10
	R 1257	(B,36,61)	RS1/16SS103J	C 106	(A,63,121)		CKSSYB104K10
	R 1258	(B,36,59)	RS1/16SS103J	C 107	(B,32,145)		CKSSYB104K10
	R 1259	(B,37,56)	RS1/16SS103J	C 108	(A,74,140)		CKSSYB104K10
	R 1260	(B,37,61)	RS1/16SS101J	C 109	(B,69,118)		CKSSYB104K10
	R 1261	(B,37,59)	RS1/16SS100J	C 110	(B,63,146)		CKSSYB104K10
	R 1262	(B,37,57)	RS1/16SS100J	C 111	(B,66,144)		CKSSYB103K16
	R 1263	(B,30,76)	RS1/16SS103J	C 113	(B,74,144)		CKSSYB102K50
	R 1264	(B,29,67)	RS1/16SS101J	C 201	(B,36,135)		CKSSYB104K10
	R 1265	(A,29,73)	RS1/16SS472J	C 202	(B,33,131)		CKSSYB104K10
D	R 1266	(A,29,64)	RS1/16SS472J	C 203	(B,33,128)		CKSSYB104K10
	R 1301	(A,139,103)	RS1/16SS332J	C 204	(B,36,128)		CKSSYB104K10
	R 1302	(A,142,103)	RS1/16SS474J	C 205	(B,35,128)		CKSSYB104K10
	R 1303	(B,135,96)	RS1/16SS0R0J	C 206	(B,30,124)		CEVW101M16
	R 1305	(B,131,78)	RS1/16SS220J	C 207	(B,35,126)		CKSSYB104K10
	R 1306	(B,131,77)	RS1/16SS103J	C 209	(A,34,120)		CKSSYB104K10
	R 1307	(B,131,76)	RS1/16SS103J	C 210	(A,31,115)		CKSSYB104K10
	R 1308	(B,126,77)	RS1/16SS101J	C 211	(A,31,118)		CKSSYB102K50
	R 1309	(B,126,76)	RS1/16SS101J	C 212	(B,37,124)		CKSSYB104K10
	R 1310	(B,126,74)	RS1/16SS101J	C 213	(B,35,124)		CKSSYB102K50
E	R 1311	(A,163,75)	RS1/16SS101J	C 214	(A,39,120)		CKSSYB104K10
	R 1312	(A,163,79) RESISTOR ARRAY	RAB4CQ220J	C 215	(B,42,120)		CKSSYB102K50
	R 1313	(A,163,81)	RS1/16SS220J	C 216	(B,41,120)		CKSSYB102K50
	R 1314	(A,163,85) RESISTOR ARRAY	RAB4CQ220J	C 217	(B,53,139)		CEVW101M16
	R 1315	(A,163,88) RESISTOR ARRAY	RAB4CQ220J	C 218	(B,59,143)		CKSSYB104K10
	R 1316	(A,163,94) RESISTOR ARRAY	RAB4CQ220J	C 219	(B,43,128)		CKSSYB104K10
	R 1317	(A,163,97) RESISTOR ARRAY	RAB4CQ220J	C 220	(B,43,129)		CKSSYB104K10
	R 1318	(A,163,99)	RS1/16SS103J	C 221	(B,44,131)		CKSSYB104K10
	R 1351	(B,144,62)	RS1/16SS102J	C 222	(B,49,134)		CKSSYB104K10
	R 1381	(B,118,69)	RS1/16SS680J	C 223	(B,41,133)		CKSSYB104K10
	R 1382	(B,118,67)	RS1/16SS680J	C 224	(B,40,135)		CKSSYB104K10
	R 1383	(B,118,66)	RS1/16SS680J	C 225	(B,38,137)		CKSSYB104K10
F	R 1384	(B,118,65)	RS1/16SS330J	C 226	(B,35,136)		CKSSYB104K10
	R 1385	(B,118,49) RESISTOR ARRAY	RAB4CQ680J	C 232	(A,95,130)		CEVW101M16
	R 1386	(B,118,46) RESISTOR ARRAY	RAB4CQ680J				

Mark	No.	Description	Part No.	Mark	No.	Description	Part No.	
C	235	(A,100,133)	CKSSYB104K10	C	501	(B,81,91)	CKSSYB103K16	
C	241	(A,56,116)	CKSSYB104K10	C	502	(B,85,93)	CKSSYB104K10	
C	242	(B,24,130)	CCSRCH221J50	C	503	(B,64,91)	CEVW101M16	A
C	243	(B,27,145)	CCSRCH221J50	C	504	(A,110,81)	CKSSYB104K10	
C	244	(B,24,122)	CKSRYP105K10	C	505	(A,71,95)	CKSSYB104K10	
C	245	(B,24,138)	CKSRYP105K10	C	506	(A,85,109)	CKSSYB104K10	
C	246	(B,24,118)	CKSSYB104K10	C	507	(A,53,100)	CKSSYB104K10	
C	247	(B,23,135)	CKSSYB104K10	C	508	(A,109,88)	CKSSYB104K10	
C	248	(A,52,115)	CKSSYB104K10	C	551	(B,77,100)	CKSSYB104K10	
C	249	(B,43,125)	CKSSYB104K10	C	552	(B,101,100)	CKSSYB104K10	
C	291		CKSSYB104K10	C	571	(B,49,145)	CKSSYB104K10	
C	292		CKSSYB104K10	C	601	(A,166,47)	CEVW101M16	
C	301	(B,133,148)	CKSSYB104K10	C	602	(B,160,47)	CKSSYB104K10	
C	302	(B,133,139)	CKSSYB104K10	C	603	(A,163,41)	CKSRYP105K10	B
C	303	(B,133,132)	CKSSYB104K10	C	604	(A,166,43)	CKSSYB104K10	
C	304	(A,142,117)	CEVW101M16	C	605	(A,168,36)	CKSSYB104K10	
C	305	(A,136,120)	CKSSYB104K10	C	606	(B,183,22)	CCSRCH8R0D50	
C	309	(B,127,118)	CKSSYB104K10	C	607	(B,183,27)	CCSRCH8R0D50	
C	310	(B,129,118)	CKSSYB102K50	C	608	(B,181,32)	CKSSYB104K10	
C	311	(A,126,129)	CKSSYB104K10	C	609	(A,173,31) CHIP CAPACITOR	CKSRYP823K25	
C	315	(B,118,123)	CKSSYB104K10	C	610	(A,171,32)	CKSSYB103K16	
C	316	(A,110,128)	CKSSYB104K10	C	611	(A,172,30)	CCSRCH471J50	
C	317	(B,107,136)	CKSSYB104K10	C	612	(A,171,28)	CKSQYB225K10	
C	318	(B,107,138)	CKSSYB104K10	C	621	(B,169,26)	CKSSYB104K10	
C	319	(B,107,143)	CKSSYB104K10	C	622	(B,168,26)	CKSSYB104K10	C
C	320	(A,121,146)	CKSSYB104K10	C	623	(B,166,26)	CKSSYB104K10	
C	321	(A,90,119)	CEVW101M16	C	624	(A,166,29)	CKSSYB103K16	
C	322	(B,85,132)	CKSSYB104K10	C	625	(A,166,28)	CKSSYB104K10	
C	323	(B,85,138)	CKSSYB104K10	C	626	(A,166,26)	DCH1201	
C	324	(B,100,136)	CKSSYB102K50	C	627	(A,166,25)	CKSSYB104K10	
C	325	(B,92,118)	CKSSYB104K10	C	628	(A,165,23)	CKSSYB104K10	
C	326	(A,105,136)	CKSRYP105K10	C	629	(A,168,19)	CEVW101M16	
C	327	(A,102,134)	CKSSYB104K10	C	630	(A,160,26)	CKSSYB104K10	
C	328	(A,100,141)	CKSRYP474K10	C	631	(A,159,23)	CEVW100M16	
C	329	(A,98,137)	DCH1201	C	632	(A,162,20)	CKSSYB104K10	
C	330	(A,110,139)	CKSRYP472K50	C	633	(A,160,17)	CEVW100M16	D
C	333	(B,98,143)	CKSSYB104K10	C	634	(A,160,29)	CKSSYB103K16	
C	401	(B,157,130)	CEVW101M16	C	635	(A,160,30)	CKSSYB104K10	
C	402	(B,162,127)	CCSRCH471J50	C	636	(A,160,32)	DCH1201	
C	404	(A,153,136)	CKSSYB104K10	C	637	(A,163,32)	CKSSYB104K10	
C	405	(A,154,124)	CKSSYB104K10	C	638	(B,160,26)	CKSSYB104K10	
C	408	(A,159,128)	CKSSYB104K10	C	639	(B,159,26)	CKSSYB104K10	
C	409	(A,149,136)	CKSSYB104K10	C	640	(B,154,29)	CKSSYB104K10	
C	410	(A,150,124)	CKSSYB104K10	C	641	(B,154,30)	CKSSYB102K50	
C	411	(A,157,124)	CKSSYB104K10	C	643	(B,151,33)	CKSSYB103K16	
C	412	(A,156,136)	CKSSYB104K10	C	644	(A,157,38)	CEVW101M16	E
C	415	(B,157,147)	CKSSYB104K10	C	645	(A,161,39)	CKSSYB104K10	
C	416	(B,123,102)	CKSSYB104K10	C	701	(B,133,37)	CEVW101M16	
C	419	(B,142,145)	CEVW101M16	C	702	(B,139,38)	CKSSYB104K10	
C	420	(B,136,144)	CKSSYB104K10	C	704	(B,143,40)	CEVW101M16	
C	424	(B,140,134)	CKSSYB104K10	C	705	(B,139,42)	CKSSYB104K10	
C	427	(A,135,146)	CKSSYB104K10	C	706	(A,138,52)	CKSSYB104K10	
C	429	(A,149,144)	CKSQYB225K10	C	707	(B,139,49)	CEVW100M16	
C	461	(A,110,107)	CKSSYB104K10	C	708	(A,143,52)	CKSSYB104K10	
C	462	(A,140,139)	CKSSYB104K10	C	709	(A,149,35)	CKSSYB104K10	
C	463	(A,157,121)	CKSSYB104K10	C	710	(B,139,35)	CKSSYB104K10	
C	464	(A,112,97)	CKSSYB104K10	C	711	(A,131,35)	CKSSYB104K10	F
C	465	(A,123,113)	CKSSYB104K10	C	712	(A,130,37)	CKSRYP392K50	
C	466	(A,166,134)	CKSSYB104K10	C	713	(A,130,38)	CCSRCH821J50	
C	467	(A,166,125)	CKSSYB104K10	C	714	(A,128,37)	CKSSYB103K16	

	Mark	No.	Description	Part No.	Mark	No.	Description	Part No.
	C	751	(B,115,40)	CEVW101M16	C	902	(B,47,33)	CKSSYB104K10
	C	752	(A,116,37)	CKSSYB104K10	C	903	(B,45,33)	CKSSYB104K10
A	C	753	(A,124,30)	CKSSYB104K10	C	904	(B,43,25)	CKSSYB104K10
	C	754	(A,124,32)	CKSSYB104K10	C	905	(B,40,26)	CKSRYB105K10
	C	756	(A,124,34)	CKSSYB104K10	C	908	(B,45,27)	CKSSYB104K10
	C	757	(A,124,31)	CKSSYB104K10	C	911	(B,43,32)	CKSSYB104K10
	C	758	(A,124,33)	CKSSYB104K10	C	912	(B,53,24)	CKSRYB105K10
	C	759	(A,124,35)	CKSSYB104K10	C	913	(B,47,24)	CKSSYB104K10
	C	771	(A,152,24)	CKSSYB104K10	C	914	(B,45,24)	CKSSYB104K10
	C	772	(A,151,30)	CCSRCH680J50	C	915	(B,43,20)	CKSSYB103K16
	C	773	(A,151,31)	CCSRCH330J50	C	916	(B,50,42)	CEVW101M16
	C	781	(A,145,24)	CKSSYB104K10	C	917	(B,59,40)	CEVW101M16
	C	782	(A,145,30)	CCSRCH680J50	C	918	(B,51,28)	CKSRYB105K10
B	C	783	(A,145,31)	CCSRCH330J50	C	919	(A,57,29)	CKSSYB104K10
	C	791	(A,140,24)	CKSSYB104K10	C	951	(A,20,17)	CKSSYB104K10
	C	792	(A,140,30)	CCSRCH680J50	C	1001	(B,77,35)	CEVW101M16
	C	793	(A,140,31)	CCSRCH330J50	C	1002	(B,70,39)	CKSSYB104K10
	C	801	(B,81,62)	CKSRYB105K10	C	1012	(B,101,36)	CKSRYB105K10
	C	802	(A,61,80)	CKSSYB104K10	C	1013	(B,85,36)	CKSRYB105K10
	C	803	(A,57,80)	CKSSYB104K10	C	1014	(B,93,36)	CKSRYB105K10
	C	804	(A,63,81)	CKSSYB104K10	C	1015	(B,100,34) CHIP CERAMIC C.	DCG1028
	C	805	(B,65,60)	CKSSYB104K10	C	1016	(B,84,34)	CKSQYB225K10
	C	806	(A,67,80)	CKSSYB104K10	C	1017	(B,92,34)	CKSQYB225K10
	C	807	(A,66,55)	CKSSYB104K10	C	1019	(A,85,46)	DCH1201
C	C	808	(A,66,46)	CCSRCH120J50	C	1020	(A,83,50)	DCH1201
	C	809	(A,70,46)	CCSRCH100D50	C	1021	(A,89,45) CHIP CERAMIC C.	CCSRCH821J25
	C	810	(A,72,80)	CKSSYB104K10	C	1052	(A,64,29)	CKSQYB105K16
	C	811	(B,67,60)	CKSSYB104K10	C	1053	(A,68,24)	CKSQYB105K16
	C	812	(B,81,57)	CEVW101M16	C	1054	(B,64,30)	CKSSYB104K10
	C	813	(A,70,54)	CKSSYB104K10	C	1055	(B,68,35)	CEVW101M16
	C	814	(A,74,53)	CKSSYB104K10	C	1056	(A,64,35)	CKSRYB224K16
	C	815	(B,46,83)	CEVW101M16	C	1057	(B,61,18)	CKSSYB102K50
	C	816	(B,55,58)	CKSRYB105K10	C	1058	(B,61,16)	CKSSYB104K10
	C	817	(A,54,83)	CKSRYB105K10	C	1101	(B,35,84)	CEVW101M16
	C	818	(B,56,74)	CKSSYB104K10	C	1102	(A,31,84)	CKSSYB104K10
D	C	819	(B,56,72)	CKSSYB104K10	C	1103	(A,39,82)	CKSSYB104K10
	C	820	(B,56,70)	CKSSYB104K10	C	1104	(A,41,90)	CKSSYB104K10
	C	821	(B,58,68)	CKSRYB105K10	C	1105	(A,38,97)	CKSSYB104K10
	C	822	(B,56,65)	CKSSYB104K10	C	1106	(A,29,97)	CKSSYB104K10
	C	823	(B,56,63)	CKSSYB104K10	C	1107	(A,28,94)	CKSSYB104K10
	C	824	(B,56,60)	CKSSYB104K10	C	1108	(A,28,90)	CKSSYB104K10
	C	825	(B,50,57)	CEVW101M16	C	1109	(A,28,86)	CKSSYB104K10
	C	826	(B,57,58)	CKSSYB104K10	C	1151	(B,35,39)	CEVW101M16
	C	827	(B,57,56)	CKSSYB104K10	C	1152	(A,31,39)	CKSSYB104K10
	C	828	(B,60,58)	CKSSYB104K10	C	1153	(A,39,37)	CKSSYB104K10
E	C	829	(A,78,57)	CKSSYB104K10	C	1154	(A,41,45)	CKSSYB104K10
	C	830	(B,68,63)	CKSSYB103K16	C	1155	(A,38,52)	CKSSYB104K10
	C	831	(A,73,55)	CKSSYB103K16	C	1156	(A,29,52)	CKSSYB104K10
	C	832	(A,78,74)	CKSSYB104K10	C	1157	(A,28,49)	CKSSYB104K10
	C	833	(A,78,71)	CKSSYB104K10	C	1158	(A,28,45)	CKSSYB104K10
	C	834	(A,78,68)	CKSSYB104K10	C	1159	(A,28,41)	CKSSYB104K10
	C	835	(B,75,65)	CKSSYB104K10	C	1201	(B,42,108)	CKSSYB104K10
	C	836	(A,78,62)	CKSSYB104K10	C	1202	(A,39,109)	CKSSYB104K10
	C	837	(B,55,84)	CKSSYB103K16	C	1203	(B,59,108)	CKSSYB104K10
	C	838	(B,61,80)	CKSSYB103K16	C	1204	(A,56,109)	CKSSYB104K10
	C	881	(A,90,80)	CKSSYB104K10	C	1205	(B,31,110)	CKSSYB104K10
F	C	882	(A,102,75)	CKSSYB104K10	C	1206	(B,49,110)	CKSSYB104K10
	C	883	(A,102,66)	CKSSYB104K10	C	1251	(B,42,73)	CKSSYB104K10
	C	884	(A,102,57)	CKSSYB104K10	C	1252	(A,40,73)	CKSSYB104K10
	C	901	(B,52,33)	CKSSYB104K10	C	1253	(B,42,63)	CKSSYB104K10

Mark	No.	Description	Part No.
C	1254	(A,40,63)	CKSSYB104K10
C	1255	(B,31,75)	CKSSYB104K10
C	1256	(B,31,65)	CKSSYB104K10
C	1301	(B,160,104)	CEVW101M16
C	1302	(B,151,104)	CEVW100M16
C	1305	(A,166,109)	CEVW101M16
C	1306	(A,138,110)	CCSRCH120J50
C	1307	(A,143,110)	CCSRCH120J50
C	1308	(A,128,94)	CKSSYB104K10
C	1309	(A,128,90)	CKSSYB104K10
C	1310	(A,128,83)	CKSSYB104K10
C	1311	(A,128,80)	CKSSYB104K10
C	1312	(A,128,73)	CKSSYB104K10
C	1313	(B,130,74)	CKSSYB103K16
C	1314	(A,137,67)	CKSSYB105K6R3
C	1315	(A,140,66)	CKSSYB105K6R3
C	1316	(A,146,66)	CKSSYB105K6R3
C	1317	(A,150,66)	CKSSYB105K6R3
C	1318	(A,154,66)	CKSSYB105K6R3
C	1319	(B,159,76)	CKSSYB104K10
C	1320	(B,157,81)	CKSSYB104K10
C	1321	(A,163,83)	CKSSYB104K10
C	1322	(A,163,90)	CKSSYB104K10
C	1323	(A,163,92)	CKSSYB104K10
C	1324	(A,158,102)	CKSSYB104K10
C	1325	(A,157,104)	CKSSYB104K10
C	1326	(A,156,102)	CKSSYB104K10
C	1327	(A,154,104)	CKSSYB104K10
C	1328	(A,153,102)	CKSSYB104K10
C	1329	(A,152,104)	CKSSYB104K10
C	1330	(A,151,102)	CKSSYB104K10
C	1331	(A,149,104)	CKSSYB104K10
C	1332	(A,148,102)	CKSSYB104K10
C	1333	(A,147,104)	CKSSYB104K10
C	1334	(A,144,102)	CKSSYB104K10
C	1335	(B,140,96)	CKSSYB104K10
C	1336	(A,137,102)	CKSSYB104K10
C	1351	(B,162,69) CHIP OS CAPACITOR	ACH7174
C	1352	(B,135,78)	CKSSYB105K6R3
C	1353	(B,136,78)	CKSSYB105K6R3
C	1354	(B,139,78)	CKSSYB105K6R3
C	1355	(B,141,78)	CKSSYB105K6R3
C	1356	(B,149,78)	CKSSYB105K6R3
C	1357	(B,152,78)	CKSSYB105K6R3
C	1358	(B,154,78)	CKSSYB105K6R3
C	1359	(B,156,78)	CKSSYB105K6R3
C	1360	(B,153,61)	CKSSYB105K6R3
C	1361	(B,150,61)	CKSSYB105K6R3
C	1362	(B,141,62)	CKSSYB105K6R3
C	1363	(B,137,61)	CKSSYB105K6R3
C	1381	(B,123,71)	CKSSYB104K10
C	1382	(B,123,53)	CKSSYB104K10
C	1383	(B,126,62)	CKSSYB104K10
C	2001	(A,27,112)	CKSSYB104K10
C	2002	(A,27,111)	CKSSYB102K50

Mark	No.	Description	Part No.
AGF HDMI & DVC ASSY (VSX-AX2AS)			
MISCELLANEOUS			
IC	405	(B,123,106) IC	TC74LCX541FTS1
IC	464	(A,112,93) IC	TC74VHC00FTS1
IC	465	(A,123,109) IC	TC74LCX541FTS1
IC	501	(A,84,100) CPU	PEG118A
IC	502	(B,89,100) FLASH ROM	AYW7107
		FLASH MEMORY IC(4M)	S29AL004D70TFI010
IC	504	(A,53,96) IC	TC74VHC125FTS1
IC	505	(A,109,78) LOGIC IC	CD4094BPW
IC	601	(B,164,37) VIDEO DECODER	ADV7401BSTZ-80
IC	602	(B,178,33) IC	TC7WU04FU
IC	701	(A,139,44) VIDEO ENCODER IC	ADV7322KSTZ
IC	751	(A,117,32) VIDEO FILTER IC	FMS6403MTC
IC	801	(A,65,68) HDMI RECEIVER	SII9033CTU
IC	881	(A,89,76) IC	TC74LCX541FTS1
IC	882	(A,101,71) IC	TC74LCX541FTS1
IC	883	(A,101,62) IC	TC74LCX541FTS1
IC	884	(A,101,53) IC	TC74LCX541FTS1
IC	901	(A,48,28) HDMI TRANSMITER	SII9030CTU-7
△ IC	1001	(B,101,43) REGULATOR IC	NJM2885DL1-25
△ IC	1002	(B,85,43) REGULATOR IC	NJM2845DL1-33
△ IC	1003	(B,93,43) REGULATOR IC	NJM2845DL1-33
△ IC	1004	(A,85,42) DC/DC CONVERTER IC	BD9106FVM
△ IC	1051	(A,70,32) REGULATOR IC	PQ200WNA1ZPH
IC	1101	(A,34,90) HDMI/DVI CABLE EQ	CXB1441R
IC	1201	(B,42,105) EEPROM	BR24L02FV-W
IC	1202	(A,40,105) LOGIC IC	SN74CBT3257CPW
IC	1203	(B,59,105) EEPROM	BR24L02FV-W
IC	1204	(A,57,105) LOGIC IC	SN74CBT3257CPW
IC	1205	(B,31,108) IC	TC7WBD125AFK
IC	1206	(B,49,108) IC	TC7WBD125AFK
IC	1251	(B,42,70) EEPROM	BR24L02FV-W
IC	1252	(A,40,70) LOGIC IC	SN74CBT3257CPW
IC	1301	(A,145,85) IC(VIDEO FORMAT COV)	FLI2310-LF-CF
IC	1351	(B,145,70) 64M SDRAM	EDS6432AFTA-6B
IC	1381	(B,124,66) IC	TC74LCX541FTS1
IC	1382	(B,124,48) IC	TC74LCX541FTS1
IC	1383	(B,127,57) IC	TC74LCX541FTS1
Q	462	(B,122,99) DIGITAL TRANSISTOR	DTC124EUA
Q	464	(A,124,103) CHIP TRANSISTOR	RN4903
Q	751	(B,114,34) TRANSISTOR	2SA1576A
Q	752	(B,117,34) CHIP TRANSISTOR	DTC114YUA
Q	771	(A,151,26) TRANSISTOR	2SA1576A
Q	781	(A,145,26) TRANSISTOR	2SA1576A
Q	791	(A,139,26) TRANSISTOR	2SA1576A
Q	801	(B,58,82) DUAL MOS FET	HN1K02FU
Q	901	(B,38,29) CHIP DIGITAL TRANS.	DTA124EUA
Q	951	(B,32,24) CHIP TR (PNP X 2)	UMB1N
Q	952	(B,31,27) CHIP TRANSISTOR	DTC114YUA
Q	953	(A,25,24) DUAL MOS FET	HN1K02FU
Q	1051	(A,63,25) TRANSISTOR	2SA1576A
Q	1052	(A,63,32) DIGITAL TRANSISTOR	DTC124EUA
Q	1101	(A,23,110) CHIP TRANSISTOR	DTC114YUA
Q	1102	(A,24,89) CHIP TRANSISTOR	DTC114YUA
Q	1103	(B,40,92) CHIP TRANSISTOR	2SB1689
Q	1104	(B,36,96) CHIP TRANSISTOR	DTC114YUA
Q	1151	(A,25,65) CHIP TRANSISTOR	DTC114YUA

Mark	No.	Description	Part No.
	Q	1201 (B,37,109) CHIP TRANSISTOR	DTC114YUA
	Q	1202 (B,55,109) CHIP TRANSISTOR	DTC114YUA
A	Q	1203 (A,48,106) CHIP TRANSISTOR	DTC114YUA
	Q	1251 (B,36,74) CHIP TRANSISTOR	DTC114YUA
	Q	1281 (B,31,69) DUAL MOS FET	HN1K02FU
	Q	1282 (B,31,73) DUAL MOS FET	HN1K02FU
	D	461 (A,119,103) DIODE	1SS355
	D	551 (B,102,103) CHIP DIODE	RB501V-40
	D	801 (B,57,89) DIODE	DAN202U
	D	981 (A,19,25) DIODE	UDZS5R1(B)
	D	1101 (A,21,114) DIODE	DAN202U
	D	1102 (A,18,92) DIODE	DAN202U
	D	1151 (A,18,70) DIODE	DAN202U
B	L	462 (A,108,98) CHIP SOLID INDUCTOR	ATL7002
	L	501 (B,57,93) CHIP SOLID INDUCTOR	ATL7002
	L	601 (A,171,49) CHIP SOLID INDUCTOR	ATL7002
	L	602 (A,174,27) CHIP SOLID INDUCTOR	ATL7002
	L	603 (A,152,40) CHIP SOLID INDUCTOR	ATL7002
	L	604 (A,166,14) CHIP SOLID INDUCTOR	ATL7002
	L	701 (B,148,41) CHIP SOLID INDUCTOR	ATL7002
	L	702 (B,136,42) CHIP SOLID INDUCTOR	ATL7002
	L	703 (B,144,49) CHIP SOLID INDUCTOR	ATL7002
	L	771 (A,148,31) INDUCTOR	LCTC100K2125
	L	781 (A,143,31) INDUCTOR	LCTC100K2125
C	L	791 (A,137,31) INDUCTOR	LCTC100K2125
	L	801 (B,80,52) CHIP BEADS	ATL7010
	L	803 (B,50,88) CHIP BEADS	ATL7010
	L	804 (B,45,55) CHIP BEADS	ATL7010
	L	902 (B,35,30) CHIP BEADS	ATL7010
	L	904 (B,45,36) CHIP BEADS	ATL7010
	L	905 (B,60,45) CHIP BEADS	ATL7010
	⚠ L	951 (A,27,12) COIL	ATH7022
	⚠ L	952 (A,27,15) COIL	ATH7022
	⚠ L	953 (A,27,18) COIL	ATH7022
	⚠ L	954 (A,27,20) COIL	ATH7022
D	L	1002 (A,78,46) INDUCTOR	ATL7012
	L	1018 CHIP BEADS	ATL7010
	L	1028 CHIP BEADS	ATL7010
	L	1101 (B,40,89) CHIP BEADS	ATL7010
	L	1301 (B,166,107) CHIP SOLID INDUCTOR	ATL7002
	L	1302 (B,153,108) CHIP SOLID INDUCTOR	ATL7002
	L	1303 (A,152,108) CHIP SOLID INDUCTOR	ATL7002
	L	1304 (A,159,108) CHIP SOLID INDUCTOR	ATL7002
	L	1305 (A,161,111) CHIP SOLID INDUCTOR	ATL7002
	L	1351 (B,167,71) CHIP SOLID INDUCTOR	ATL7002
E	JA	901 (A,14,13) HDMI CONNECTOR	AKP7210
	JA	1101 (A,14,103) HDMI CONNECTOR	AKP7210
	JA	1102 (A,14,81) HDMI CONNECTOR	AKP7210
	JA	1151 (A,14,58) HDMI CONNECTOR	AKP7210
	X	501 (A,83,88) CERAMIC RESONATOR (15.7 MHz)	XSS3004
	X	601 (B,179,24) CRYSTAL RESONATOR (28.63636 MHz)	ASS7069
	X	801 (A,68,49) CRYSTAL RESONATOR (27.000 MHz)	ASS7068
	X	1301 (A,141,106) CRYSTAL RESONATOR (13.5 MHz)	ASS7070
F	CN	501 (A,13,36) 07P CONNECTOR	RKN1048
	CN	1001 (A,70,18) CONNECTOR	CKS4668
	CN	1002 (A,102,18) CONNECTOR	CKS4668

Mark	No.	Description	Part No.
RESISTORS			
	R	441 (B,118,104)	RS1/16SS0R0J
	R	442 (B,129,103)	RS1/16SS101J
	R	443 (B,129,104)	RS1/16SS101J
	R	444 (B,129,106)	RS1/16SS101J
	R	445 (B,129,108) RESISTOR ARRAY	RAB4CQ101J
	R	461 (B,113,100) RESISTOR ARRAY	RAB4CQ100J
	R	462 (B,113,103) RESISTOR ARRAY	RAB4CQ100J
	R	463 (A,118,111)	RS1/16SS0R0J
	R	464 (A,118,93)	RS1/16SS103J
	R	465 (A,120,113)	RS1/16SS0R0J
	R	467 (A,124,100)	RS1/16SS0R0J
	R	468 (B,120,102)	RS1/16SS103J
	R	470 (B,129,101)	RS1/16SS0R0J
	R	471 (A,127,103)	RS1/16SS103J
	R	474 (A,129,111)	RS1/16SS390J
	R	475 (A,129,110)	RS1/16SS101J
	R	476 (A,129,109)	RS1/16SS101J
	R	477 (A,129,107) RESISTOR ARRAY	RAB4CQ101J
	R	506 (A,80,87)	RS1/16SS221J
	R	508 (B,84,91)	RS1/16SS472J
	R	511 (A,87,87)	RS1/16SS101J
	R	517 (A,91,87)	RS1/16SS101J
	R	520 (B,78,83)	RS1/16SS103J
	R	524 (B,92,87)	RS1/16SS100J
	R	525 (A,93,87)	RS1/16SS100J
	R	526 (A,99,89)	RS1/16SS100J
	R	527 (A,99,90)	RS1/16SS100J
	R	528 (A,99,97)	RS1/16SS470J
	R	529 (A,99,99)	RS1/16SS473J
	R	530 (B,95,82)	RS1/16SS222J
	R	531 (B,96,82)	RS1/16SS222J
	R	533 (A,101,89)	RS1/16SS472J
	R	534 (A,101,90)	RS1/16SS472J
	R	537 (A,75,87)	RS1/16SS101J
	R	538 (B,74,87)	RS1/16SS101J
	R	539 (A,69,93)	RS1/16SS101J
	R	540 (A,48,96)	RS1/16SS470J
	R	541 (A,59,96)	RS1/16SS103J
	R	542 (A,59,97)	RS1/16SS470J
	R	543 (A,59,95)	RS1/16SS472J
	R	544 (A,59,94)	RS1/16SS470J
	R	546 (A,99,94)	RS1/16SS101J
	R	549 (A,99,98)	RS1/16SS473J
	R	551 (B,77,105)	RS1/16SS473J
	R	561 (B,86,91)	RS1/16SS103J
	R	562 (B,87,91)	RS1/16SS103J
	R	564 (B,89,91)	RS1/16SS103J
	R	565 (B,90,91)	RS1/16SS103J
	R	567 (B,91,91)	RS1/16SS103J
	R	569 (A,99,105)	RS1/16SS103J
	R	571 (A,20,38)	RS1/16SS103J
	R	574 (A,99,101)	RS1/16SS473J
	R	575 (A,99,104)	RS1/16SS101J
	R	576 (A,99,103)	RS1/16SS101J
	R	577 (A,97,110)	RS1/16SS101J
	R	581 (A,99,106)	RS1/16SS101J
	R	586 (B,75,91)	RS1/16SS103J
	R	588 (B,94,91)	RS1/16SS103J
	R	594 (B,89,82)	RS1/16SS0R0J
	R	601 (A,160,43)	RS1/16SS101J

Mark	No.	Description	Part No.	Mark	No.	Description	Part No.
R	602	(B,158,47)	RS1/16SS470J	R	773	(A,150,29)	RS1/16SS2701F
R	603	(B,162,48) RESISTOR ARRAY	RAB4CQ470J	R	774	(A,151,33) CHIP RESISTOR	RS1/16SS3300F
R	604	(B,165,47)	RS1/16SS330J	R	781	(A,143,24)	RS1/16SS471J
R	605	(B,167,47)	RS1/16SS330J	R	783	(A,145,29)	RS1/16SS2701F
R	606	(B,168,47)	RS1/16SS330J	R	784	(A,145,33) CHIP RESISTOR	RS1/16SS3300F
R	607	(B,170,49) RESISTOR ARRAY	RAB4CQ560J	R	791	(A,136,25)	RS1/16SS471J
R	608	(A,172,43)	RS1/16SS560J	R	793	(A,139,29)	RS1/16SS2701F
R	609	(A,172,42)	RS1/16SS560J	R	794	(A,139,33) CHIP RESISTOR	RS1/16SS3300F
R	610	(A,172,41)	RS1/16SS103J	R	801	(A,59,82) RESISTOR ARRAY	RAB4CQ100J
R	611	(A,172,38)	RS1/16SS100J	R	802	(A,80,80) RESISTOR ARRAY	RAB4CQ470J
R	612	(A,172,35)	RS1/16SS560J	R	803	(A,60,82)	RS1/16SS100J
R	613	(A,172,34)	RS1/16SS560J	R	804	(A,62,82)	RS1/16SS100J
R	614	(B,178,30)	RS1/16SS105J	R	805	(B,55,82)	RS1/16SS103J
R	615	(B,181,30)	RS1/16SS331J	R	806	(B,60,78)	RS1/16SS103J
R	616	(B,175,37)	RS1/16SS101J	R	807	(A,65,83) RESISTOR ARRAY	RAB4CQ470J
R	617	(B,181,35)	RS1/16SS0R0J	R	808	(A,68,83) RESISTOR ARRAY	RAB4CQ470J
R	618	(A,175,32)	RS1/16SS132J	R	809	(A,70,82)	RS1/16SS470J
R	619	(A,173,32)	RS1/16SS391J	R	810	(B,70,77)	RS1/16SS470J
R	621	(B,174,17)	RS1/10S0R0J	R	811	(B,59,62)	RS1/16SS101J
R	622	(B,174,14)	RS1/10S0R0J	R	812	(A,57,54)	RS1/16SS470J
R	623	(A,169,29)	RS1/16SS103J	R	813	(A,60,51)	RS1/16SS680J
R	624	(A,164,32)	RS1/16SS272J	R	815	(A,76,54)	RS1/16SS472J
R	625	(A,165,32)	RS1/16SS272J	R	818	(A,68,55)	RS1/16SS105J
R	631	(B,151,32)	RS1/16SS471J	R	822	(A,61,51)	RS1/16SS470J
R	632	(B,154,35)	RS1/16SS103J	R	823	(A,64,54)	RS1/16SS100J
R	634	(B,154,36)	RS1/16SS330J	R	824	(A,68,53)	RS1/16SS152J
R	635	(B,154,37)	RS1/16SS330J	R	825	(A,58,51) RESISTOR ARRAY	RAB4CQ680J
R	636	(B,154,40) RESISTOR ARRAY	RAB4CQ470J	R	826	(A,80,76) RESISTOR ARRAY	RAB4CQ470J
R	637	(B,154,42)	RS1/16SS470J	R	827	(A,80,73) RESISTOR ARRAY	RAB4CQ470J
R	638	(B,154,43)	RS1/16SS470J	R	828	(A,80,70) RESISTOR ARRAY	RAB4CQ220J
R	661	(B,152,53) RESISTOR ARRAY	RAB4CQ473J	R	829	(A,80,67) RESISTOR ARRAY	RAB4CQ220J
R	662	(B,152,50) RESISTOR ARRAY	RAB4CQ473J	R	830	(A,80,63) RESISTOR ARRAY	RAB4CQ220J
R	663	(B,152,58) RESISTOR ARRAY	RAB4CQ473J	R	831	(A,80,60) RESISTOR ARRAY	RAB4CQ220J
R	664	(B,152,56) RESISTOR ARRAY	RAB4CQ473J	R	832	(A,80,65)	RS1/16SS220J
R	665	(A,172,39)	RS1/16SS473J	R	839	(A,54,85)	RS1/10S0R0J
R	666	(B,152,47) RESISTOR ARRAY	RAB4CQ473J	R	847	(A,71,53)	RS1/16SS0R0J
R	701	(A,149,36)	RS1/16SS1501F	R	848	(A,73,53)	RS1/16SS0R0J
R	702	(A,151,36)	RS1/16SS1501F	R	849	(A,75,54)	RS1/16SS472J
R	703	(A,151,35)	RS1/16SS390J	R	850	(B,69,63)	RS1/16SS471J
R	704	(A,133,37)	RS1/16SS681J	R	851	(B,70,63)	RS1/16SS221J
R	705	(A,134,36)	RS1/16SS1501F	R	852	(B,72,63)	RS1/16SS221J
R	706	(A,132,36)	RS1/16SS1501F	R	853	(B,58,86)	RS1/16SS103J
R	707	(A,130,36)	RS1/16SS390J	R	855	(B,57,86)	RS1/16SS104J
R	708	(A,128,39)	RS1/16SS471J	R	856	(B,56,84)	RS1/16SS103J
R	709	(A,128,40)	RS1/16SS103J	R	857	(B,58,79)	RS1/16SS104J
R	710	(A,131,46)	RS1/16SS470J	R	858	(B,61,79)	RS1/16SS103J
R	711	(A,131,47)	RS1/16SS470J	R	859	(B,58,78)	RS1/16SS103J
R	712	(B,133,47)	RS1/16SS103J	R	881	(A,95,77) RESISTOR ARRAY	RAB4CQ220J
R	713	(B,138,46)	RS1/16SS472J	R	882	(A,94,75)	RS1/16SS150J
R	714	(A,148,43)	RS1/16SS0R0J	R	883	(A,107,71) RESISTOR ARRAY	RAB4CQ470J
R	715	(A,148,40)	RS1/16SS0R0J	R	884	(A,107,68) RESISTOR ARRAY	RAB4CQ470J
R	716	(A,148,42)	RS1/16SS473J	R	885	(A,107,62) RESISTOR ARRAY	RAB4CQ220J
R	717	(A,148,41)	RS1/16SS473J	R	886	(A,107,59) RESISTOR ARRAY	RAB4CQ220J
R	718	(A,149,38)	RS1/16SS103J	R	887	(A,107,53) RESISTOR ARRAY	RAB4CQ220J
R	719	(A,132,30) CHIP RESISTOR	RS1/16SS3000F	R	888	(A,107,50) RESISTOR ARRAY	RAB4CQ220J
R	720	(A,131,32) CHIP RESISTOR	RS1/16SS3000F	R	903	(A,50,37)	RS1/16SS100J
R	721	(A,130,33) CHIP RESISTOR	RS1/16SS3000F	R	906	(A,46,37)	RS1/16SS101J
R	751	(B,114,31)	RS1/16SS473J	R	912	(B,41,28) CHIP RESISTOR	RS1/16S4750F
R	752	(B,116,31)	RS1/16SS821J	R	913	(A,39,34)	RS1/16SS472J
R	771	(A,149,24)	RS1/16SS471J	R	914	(A,44,16)	RS1/16SS100J

	Mark	No.	Description	Part No.	Mark	No.	Description	Part No.
	R	915	(A,44,18)	RS1/16SS100J	R	1208	(B,53,104)	RS1/16SS103J
	R	916	(B,44,20)	RS1/16SS471J	R	1209	(B,54,101)	RS1/16SS103J
A	R	918	(B,42,20)	RS1/16SS472J	R	1210	(B,55,106)	RS1/16SS101J
	R	919	(B,40,33)	RS1/10S0R0J	R	1211	(B,55,104)	RS1/16SS100J
	R	920	(B,41,30)	RS1/16S3901F	R	1212	(B,54,102)	RS1/16SS100J
	R	925	(B,59,26)	RS1/16SS150J	R	1213	(A,49,109)	RS1/16SS103J
	R	926	(A,44,37)	RS1/16SS100J	R	1214	(B,29,105)	RS1/16SS101J
	R	927	(A,42,37)	RS1/16SS100J	R	1215	(A,29,109)	RS1/16SS472J
	R	931	(A,60,36) RESISTOR ARRAY	RAB4CQ473J	R	1216	(A,47,109)	RS1/16SS472J
	R	932	(B,60,27)	RS1/16SS473J	R	1251	(B,36,71)	RS1/16SS103J
	R	933	(A,60,31) RESISTOR ARRAY	RAB4CQ473J	R	1252	(B,36,69)	RS1/16SS103J
	R	934	(A,60,28) RESISTOR ARRAY	RAB4CQ473J	R	1253	(B,37,66)	RS1/16SS103J
	R	935	(A,60,25) RESISTOR ARRAY	RAB4CQ473J	R	1254	(B,37,71)	RS1/16SS101J
B	R	936	(A,59,22) RESISTOR ARRAY	RAB4CQ473J	R	1255	(B,37,69)	RS1/16SS100J
	R	937	(B,51,21) RESISTOR ARRAY	RAB4CQ473J	R	1256	(B,37,67)	RS1/16SS100J
	R	938	(B,47,21) RESISTOR ARRAY	RAB4CQ473J	R	1265	(A,29,73)	RS1/16SS472J
	R	951	(B,30,23)	RS1/16SS472J	R	1266	(A,29,64)	RS1/16SS472J
	R	952	(B,35,23)	RS1/16SS472J	R	1301	(A,139,103)	RS1/16SS332J
	R	953	(B,30,25)	RS1/16SS272J	R	1302	(A,142,103)	RS1/16SS474J
	R	954	(B,35,24)	RS1/16SS272J	R	1303	(B,135,96)	RS1/16SS0R0J
	R	955	(A,23,25)	RS1/16SS472J	R	1305	(B,131,78)	RS1/16SS220J
	R	956	(A,28,25)	RS1/16SS472J	R	1306	(B,131,77)	RS1/16SS103J
	R	986	(A,16,23)	RS1/16SS473J	R	1307	(B,131,76)	RS1/16SS103J
	R	989	(A,16,26)	RS1/16SS102J	R	1308	(B,126,77)	RS1/16SS101J
C	R	1016	(B,69,41)	RS1/10S100J	R	1309	(B,126,76)	RS1/16SS101J
	R	1017	(B,109,33)	RS1/10S0R0J	R	1310	(B,126,74)	RS1/16SS101J
	R	1019	(B,104,35)	RS1/10S0R0J	R	1311	(A,163,75)	RS1/16SS101J
	R	1020	(B,88,35)	RS1/10S0R0J	R	1312	(A,163,79) RESISTOR ARRAY	RAB4CQ220J
	R	1021	(B,96,35)	RS1/10S0R0J	R	1313	(A,163,81)	RS1/16SS220J
	R	1022	(A,91,42) CHIP RESISTOR	RS1/16SS1502F	R	1314	(A,163,85) RESISTOR ARRAY	RAB4CQ220J
	R	1023	(A,90,42) CHIP RESISTOR	RS1/16SS1202F	R	1315	(A,163,88) RESISTOR ARRAY	RAB4CQ220J
	R	1024	(A,89,42)	RS1/16SS273J	R	1316	(A,163,94) RESISTOR ARRAY	RAB4CQ220J
	R	1052	(A,62,17)	RS1/10S6R8J	R	1317	(A,163,97) RESISTOR ARRAY	RAB4CQ220J
	R	1053	(A,62,19)	RS1/10S6R8J	R	1318	(A,163,99)	RS1/16SS103J
	R	1054	(A,65,25)	RS1/16SS102J	R	1351	(B,144,62)	RS1/16SS102J
D	R	1056	(A,63,28)	RS1/16SS333J	R	1381	(B,118,69)	RS1/16SS680J
	R	1057	(A,65,27)	RS1/16SS103J	R	1382	(B,118,67)	RS1/16SS680J
	R	1058	(A,71,24)	RS1/16SS2001F	R	1383	(B,118,66)	RS1/16SS680J
	R	1059	(A,69,40) CHIP RESISTOR	RS1/16SS1801F	R	1384	(B,118,65)	RS1/16SS330J
	R	1091	(A,97,27)	RS1/10S0R0J	R	1385	(B,118,49) RESISTOR ARRAY	RAB4CQ680J
	R	1092	(A,97,24)	RS1/10S0R0J	R	1386	(B,118,46) RESISTOR ARRAY	RAB4CQ680J
	R	1101	(A,20,108)	RS1/16SS102J	R	1387	(B,121,58) RESISTOR ARRAY	RAB4CQ680J
	R	1103	(A,23,113)	RS1/16SS473J	R	1388	(B,121,55) RESISTOR ARRAY	RAB4CQ680J
	R	1104	(A,20,85)	RS1/16SS102J	R	1389	(B,115,69)	RS1/16SS473J
	R	1106	(A,21,93)	RS1/16SS473J	R	1390	(B,115,67)	RS1/16SS473J
E	R	1107	(B,40,94)	RS1/16SS473J	R	1391	(B,115,66)	RS1/16SS473J
	R	1108	(B,38,94)	RS1/16SS271J	R	1392	(B,115,65)	RS1/16SS473J
	R	1109	(A,28,83)	RS1/16SS102J	R	1393	(B,129,92) RESISTOR ARRAY	RAB4CQ473J
	R	1110	(A,39,83) CHIP RESISTOR	RS1/16SS4701F	R	1394	(B,129,89) RESISTOR ARRAY	RAB4CQ473J
	R	1115	(A,39,97)	RS1/16SS101J	R	1395	(A,114,49) RESISTOR ARRAY	RAB4CQ473J
	R	1116	(A,29,96)	RS1/16SS101J	R	1396	(A,114,46) RESISTOR ARRAY	RAB4CQ473J
	R	1151	(A,21,63)	RS1/16SS102J	R	1397	(A,117,58) RESISTOR ARRAY	RAB4CQ473J
	R	1153	(A,21,70)	RS1/16SS473J	R	1398	(A,117,55) RESISTOR ARRAY	RAB4CQ473J
	R	1201	(B,36,106)	RS1/16SS103J	R	2003		RS1/16SS0R0J
	R	1202	(B,36,104)	RS1/16SS103J	R	2004		RS1/16SS0R0J
	R	1203	(B,37,101)	RS1/16SS103J	R	2007		RS1/16SS0R0J
F	R	1204	(B,37,106)	RS1/16SS101J	R	2008		RS1/16SS0R0J
	R	1205	(B,37,104)	RS1/16SS100J	R	2011		RS1/16SS0R0J
	R	1206	(B,37,102)	RS1/16SS100J	R	2012		RS1/16SS0R0J
	R	1207	(B,53,106)	RS1/16SS103J				

Mark No.	Description	Part No.	Mark No.	Description	Part No.
CAPACITORS			C 713	(A,130,38)	CCSRCH821J50
C 416	(B,123,102)	CKSSYB104K10	C 714	(A,128,37)	CKSSYB103K16
C 464	(A,112,97)	CKSSYB104K10	C 751	(B,115,40)	CEVW101M16
C 465	(A,123,113)	CKSSYB104K10	C 752	(A,116,37)	CKSSYB104K10
C 501	(B,81,91)	CKSSYB103K16	C 753	(A,124,30)	CKSSYB104K10
C 502	(B,85,93)	CKSSYB104K10	C 754	(A,124,32)	CKSSYB104K10
C 503	(B,64,91)	CEVW101M16	C 756	(A,124,34)	CKSSYB104K10
C 504	(A,110,81)	CKSSYB104K10	C 757	(A,124,31)	CKSSYB104K10
C 505	(A,71,95)	CKSSYB104K10	C 758	(A,123,33)	CKSSYB104K10
C 506	(A,85,109)	CKSSYB104K10	C 759	(A,124,35)	CKSSYB104K10
C 507	(A,53,100)	CKSSYB104K10	C 771	(A,152,24)	CKSSYB104K10
C 551	(B,77,100)	CKSSYB104K10	C 772	(A,151,30)	CCSRCH680J50
C 552	(B,101,100)	CKSSYB104K10	C 773	(A,151,31)	CCSRCH330J50
C 571	(A,20,35)	CKSSYB104K10	C 781	(A,145,24)	CKSSYB104K10
C 601	(A,166,47)	CEVW101M16	C 782	(A,145,30)	CCSRCH680J50
C 602	(B,160,47)	CKSSYB104K10	C 783	(A,145,31)	CCSRCH330J50
C 603	(A,163,41)	CKSRYP105K10	C 791	(A,140,24)	CKSSYB104K10
C 604	(A,166,43)	CKSSYB104K10	C 792	(A,140,30)	CCSRCH680J50
C 605	(A,168,36)	CKSSYB104K10	C 793	(A,140,31)	CCSRCH330J50
C 606	(B,183,22)	CCSRCH8R0D50	C 801	(B,81,62)	CKSRYP105K10
C 607	(B,183,27)	CCSRCH8R0D50	C 802	(A,61,80)	CKSSYB104K10
C 608	(B,181,32)	CKSSYB104K10	C 803	(A,57,80)	CKSSYB104K10
C 609	(A,173,31) CHIP CAPACITOR	CKSRYP823K25	C 804	(A,63,81)	CKSSYB104K10
C 610	(A,171,32)	CKSSYB103K16	C 805	(B,65,60)	CKSSYB104K10
C 611	(A,172,30)	CCSRCH471J50	C 806	(A,67,80)	CKSSYB104K10
C 612	(A,171,28)	CKSQYB225K10	C 807	(A,66,55)	CKSSYB104K10
C 621	(B,169,26)	CKSSYB104K10	C 808	(A,66,46)	CCSRCH120J50
C 622	(B,168,26)	CKSSYB104K10	C 809	(A,70,46)	CCSRCH100D50
C 623	(B,166,26)	CKSSYB104K10	C 810	(A,72,80)	CKSSYB104K10
C 624	(A,166,29)	CKSSYB103K16	C 811	(B,67,60)	CKSSYB104K10
C 625	(A,166,28)	CKSSYB104K10	C 812	(B,81,57)	CEVW101M16
C 626	(A,166,26)	DCH1201	C 813	(A,70,54)	CKSSYB104K10
C 627	(A,166,25)	CKSSYB104K10	C 814	(A,74,53)	CKSSYB104K10
C 628	(A,165,23)	CKSSYB104K10	C 815	(B,46,83)	CEVW101M16
C 629	(A,168,19)	CEVW101M16	C 816	(B,55,58)	CKSRYP105K10
C 630	(A,160,26)	CKSSYB104K10	C 817	(A,54,83)	CKSRYP105K10
C 631	(A,159,23)	CEVW100M16	C 818	(B,56,74)	CKSSYB104K10
C 632	(A,162,20)	CKSSYB104K10	C 819	(B,56,72)	CKSSYB104K10
C 633	(A,160,17)	CEVW100M16	C 820	(B,56,70)	CKSSYB104K10
C 634	(A,160,29)	CKSSYB103K16	C 821	(B,58,68)	CKSRYP105K10
C 635	(A,160,30)	CKSSYB104K10	C 822	(B,56,65)	CKSSYB104K10
C 636	(A,160,32)	DCH1201	C 823	(B,56,63)	CKSSYB104K10
C 637	(A,163,32)	CKSSYB104K10	C 824	(B,56,60)	CKSSYB104K10
C 638	(B,160,26)	CKSSYB104K10	C 825	(B,50,57)	CEVW101M16
C 639	(B,159,26)	CKSSYB104K10	C 826	(B,57,58)	CKSSYB104K10
C 640	(B,154,29)	CKSSYB104K10	C 827	(B,57,56)	CKSSYB104K10
C 641	(B,154,30)	CKSSYB102K50	C 828	(B,60,58)	CKSSYB104K10
C 643	(B,151,33)	CKSSYB103K16	C 829	(A,78,57)	CKSSYB104K10
C 644	(A,157,38)	CEVW101M16	C 830	(B,68,63)	CKSSYB103K16
C 645	(A,161,39)	CKSSYB104K10	C 831	(A,73,55)	CKSSYB103K16
C 701	(B,133,37)	CEVW101M16	C 832	(A,78,74)	CKSSYB104K10
C 702	(B,139,38)	CKSSYB104K10	C 833	(A,78,71)	CKSSYB104K10
C 704	(B,143,40)	CEVW101M16	C 834	(A,78,68)	CKSSYB104K10
C 705	(B,139,42)	CKSSYB104K10	C 835	(B,75,65)	CKSSYB104K10
C 706	(A,138,52)	CKSSYB104K10	C 836	(A,78,62)	CKSSYB104K10
C 707	(B,139,49)	CEVW100M16	C 837	(B,55,84)	CKSSYB103K16
C 708	(A,143,52)	CKSSYB104K10	C 838	(B,61,80)	CKSSYB103K16
C 709	(A,149,35)	CKSSYB104K10	C 881	(A,90,80)	CKSSYB104K10
C 710	(B,139,35)	CKSSYB104K10	C 882	(A,102,75)	CKSSYB104K10
C 711	(A,131,35)	CKSSYB104K10	C 883	(A,102,66)	CKSSYB104K10
C 712	(A,130,37)	CKSRYP392K50			

	Mark	No.	Description	Part No.	Mark	No.	Description	Part No.
A	C	884	(A,102,57)	CKSSYB104K10	C	1311	(A,128,80)	CKSSYB104K10
	C	901	(B,52,33)	CKSSYB104K10	C	1312	(A,128,73)	CKSSYB104K10
	C	902	(B,47,33)	CKSSYB104K10	C	1313	(B,130,74)	CKSSYB103K16
	C	903	(B,45,33)	CKSSYB104K10	C	1314	(A,137,67)	CKSSYB105K6R3
	C	904	(B,43,25)	CKSSYB104K10	C	1315	(A,140,66)	CKSSYB105K6R3
■	C	905	(B,40,26)	CKSRYB105K10	C	1316	(A,146,66)	CKSSYB105K6R3
	C	908	(B,45,27)	CKSSYB104K10	C	1317	(A,150,66)	CKSSYB105K6R3
	C	911	(B,43,32)	CKSSYB104K10	C	1318	(A,154,66)	CKSSYB105K6R3
	C	912	(B,53,24)	CKSRYB105K10	C	1319	(B,159,76)	CKSSYB104K10
	C	913	(B,47,24)	CKSSYB104K10	C	1320	(B,157,81)	CKSSYB104K10
B	C	914	(B,45,24)	CKSSYB104K10	C	1321	(A,163,83)	CKSSYB104K10
	C	915	(B,43,20)	CKSSYB103K16	C	1322	(A,163,90)	CKSSYB104K10
	C	916	(B,50,42)	CEVW101M16	C	1323	(A,163,92)	CKSSYB104K10
	C	917	(B,59,40)	CEVW101M16	C	1324	(A,158,102)	CKSSYB104K10
	C	918	(B,51,28)	CKSRYB105K10	C	1325	(A,157,104)	CKSSYB104K10
■	C	919	(A,57,29)	CKSSYB104K10	C	1326	(A,156,102)	CKSSYB104K10
	C	951	(A,20,17)	CKSSYB104K10	C	1327	(A,154,104)	CKSSYB104K10
	C	1001	(B,77,35)	CEVW101M16	C	1328	(A,153,102)	CKSSYB104K10
	C	1002	(B,70,39)	CKSSYB104K10	C	1329	(A,152,104)	CKSSYB104K10
	C	1012	(B,101,36)	CKSRYB105K10	C	1330	(A,151,102)	CKSSYB104K10
C	C	1013	(B,85,36)	CKSRYB105K10	C	1331	(A,149,104)	CKSSYB104K10
	C	1014	(B,93,36)	CKSRYB105K10	C	1332	(A,148,102)	CKSSYB104K10
	C	1015	(B,100,34) CHIP CERAMIC C.	DCG1028	C	1333	(A,147,104)	CKSSYB104K10
	C	1016	(B,84,34)	CKSQYB225K10	C	1334	(A,144,102)	CKSSYB104K10
	C	1017	(B,92,34)	CKSQYB225K10	C	1335	(B,140,96)	CKSSYB104K10
■	C	1019	(A,85,46)	DCH1201	C	1336	(A,137,102)	CKSSYB104K10
	C	1020	(A,83,50)	DCH1201	C	1351	(B,162,69) CHIP OS CAPACITOR	ACH7174
	C	1021	(A,89,45) CHIP CERAMIC C.	CCSRCH821J25	C	1352	(B,135,78)	CKSSYB105K6R3
	C	1052	(A,64,29)	CKSQYB105K16	C	1353	(B,136,78)	CKSSYB105K6R3
	C	1053	(A,68,24)	CKSQYB105K16	C	1354	(B,139,78)	CKSSYB105K6R3
■	C	1054	(B,64,30)	CKSSYB104K10	C	1355	(B,141,78)	CKSSYB105K6R3
	C	1055	(B,68,35)	CEVW101M16	C	1356	(B,149,78)	CKSSYB105K6R3
	C	1056	(A,64,35)	CKSRYB224K16	C	1357	(B,152,78)	CKSSYB105K6R3
	C	1057	(B,61,18)	CKSSYB102K50	C	1358	(B,154,78)	CKSSYB105K6R3
	C	1058	(B,61,16)	CKSSYB104K10	C	1359	(B,156,78)	CKSSYB105K6R3
D	C	1101	(B,35,84)	CEVW101M16	C	1360	(B,153,61)	CKSSYB105K6R3
	C	1102	(A,31,84)	CKSSYB104K10	C	1361	(B,150,61)	CKSSYB105K6R3
	C	1103	(A,39,82)	CKSSYB104K10	C	1362	(B,141,62)	CKSSYB105K6R3
	C	1104	(A,41,90)	CKSSYB104K10	C	1363	(B,137,61)	CKSSYB105K6R3
	C	1105	(A,38,97)	CKSSYB104K10	C	1381	(B,123,71)	CKSSYB104K10
■	C	1106	(A,29,97)	CKSSYB104K10	C	1382	(B,123,53)	CKSSYB104K10
	C	1107	(A,28,94)	CKSSYB104K10	C	1383	(B,126,62)	CKSSYB104K10
	C	1108	(A,28,90)	CKSSYB104K10	C	2001	(A,27,112)	CKSSYB104K10
	C	1109	(A,28,86)	CKSSYB104K10	C	2002	(A,27,111)	CKSSYB102K50
	C	1201	(B,42,108)	CKSSYB104K10				
E	C	1202	(A,39,109)	CKSSYB104K10				
	C	1203	(B,59,108)	CKSSYB104K10				
	C	1204	(A,56,109)	CKSSYB104K10				
	C	1205	(B,31,110)	CKSSYB104K10				
	C	1206	(B,49,110)	CKSSYB104K10				
■	C	1251	(B,42,73)	CKSSYB104K10				
	C	1252	(A,40,73)	CKSSYB104K10				
	C	1301	(B,160,104)	CEVW101M16				
	C	1302	(B,151,104)	CEVW100M16				
	C	1305	(A,166,109)	CEVW101M16				
F	C	1306	(A,138,110)	CCSRCH120J50				
	C	1307	(A,143,110)	CCSRCH120J50				
	C	1308	(A,128,94)	CKSSYB104K10				
	C	1309	(A,128,90)	CKSSYB104K10				
	C	1310	(A,128,83)	CKSSYB104K10				

AHF 2VOLT-SW ASSY SWITCHES AND RELAYS



S1191 VOLTAGE SELECTOR

AKX1033

2. PCB CONNECTION DIAGRAM

2.1 2VOLT-SW ASSY

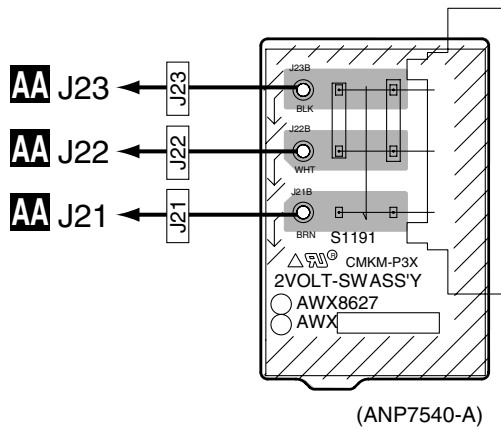
A

SIDE A

B

C

AHF 2VOLT-SW ASSY



D

E

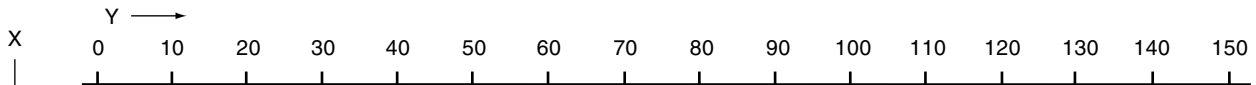
F

2.2 HDMI & 1394 ASSY (VSX-AX4ASi)

SIDE A

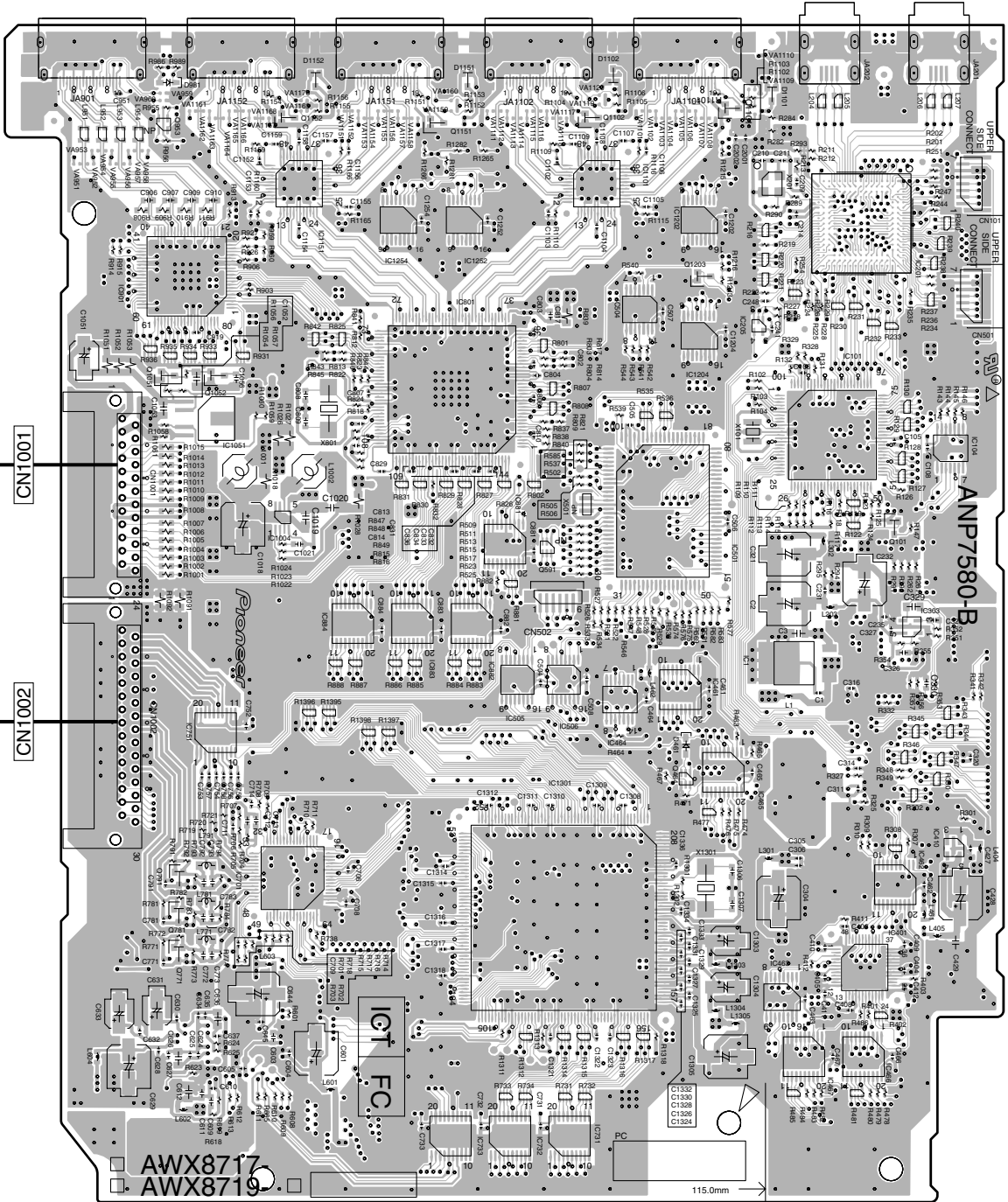
SIDE A

AGF HDMI & 1394 ASSY



N CN4311

N CN4310



ANP7580-B

AWX8717
AWX8719

(ANP7580-B)

AGF

AGF

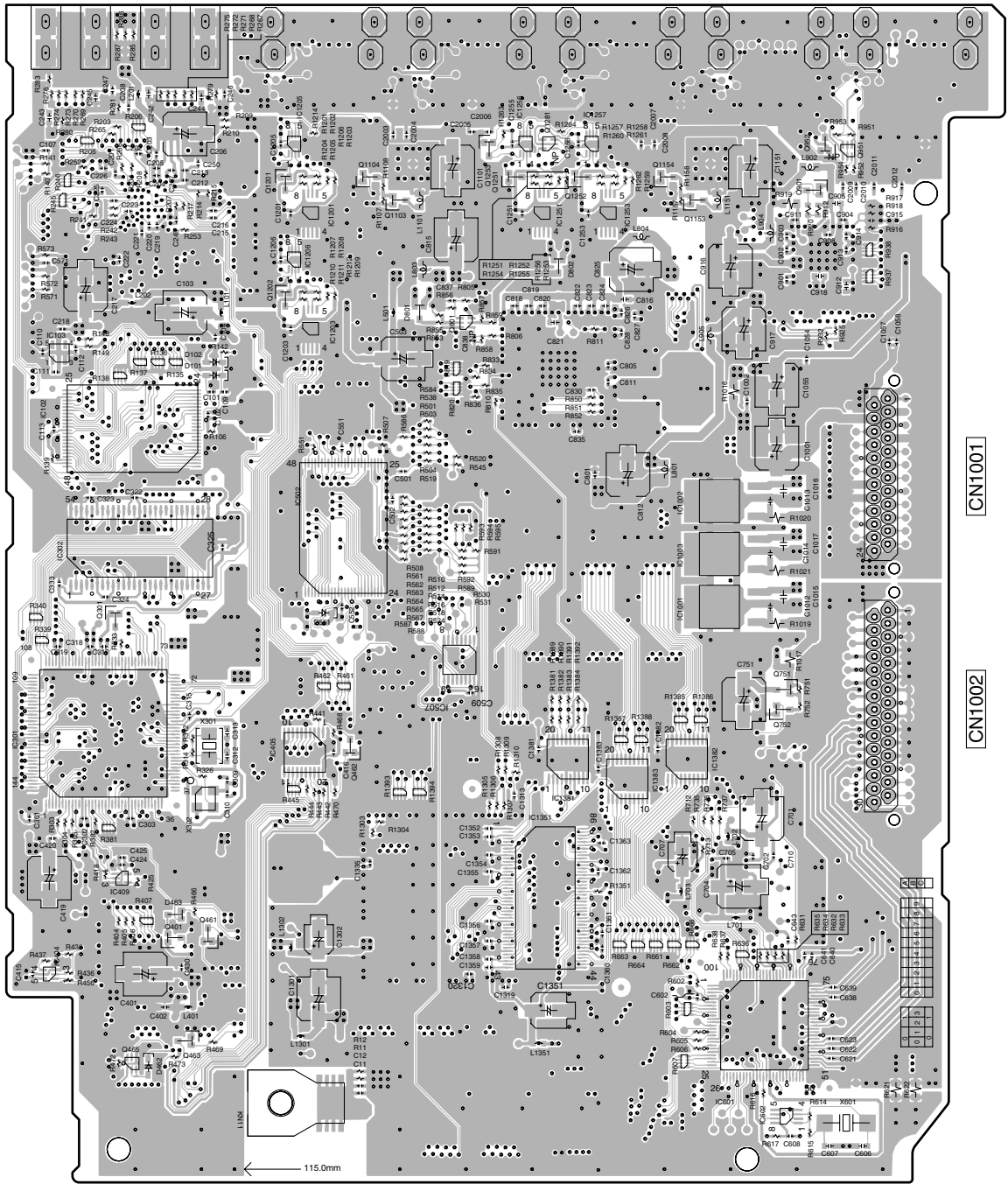
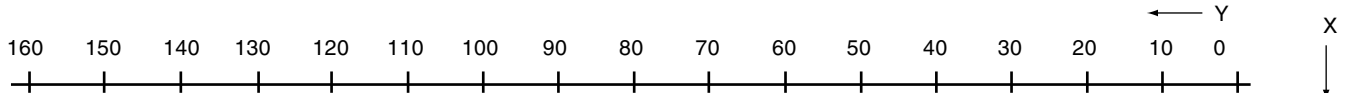
VSX-AX4ASi-S

SIDE B

AGF HDMI & 1394 ASSY

SIDE B

A



CN1001

CN1002

(ANP7580-B)

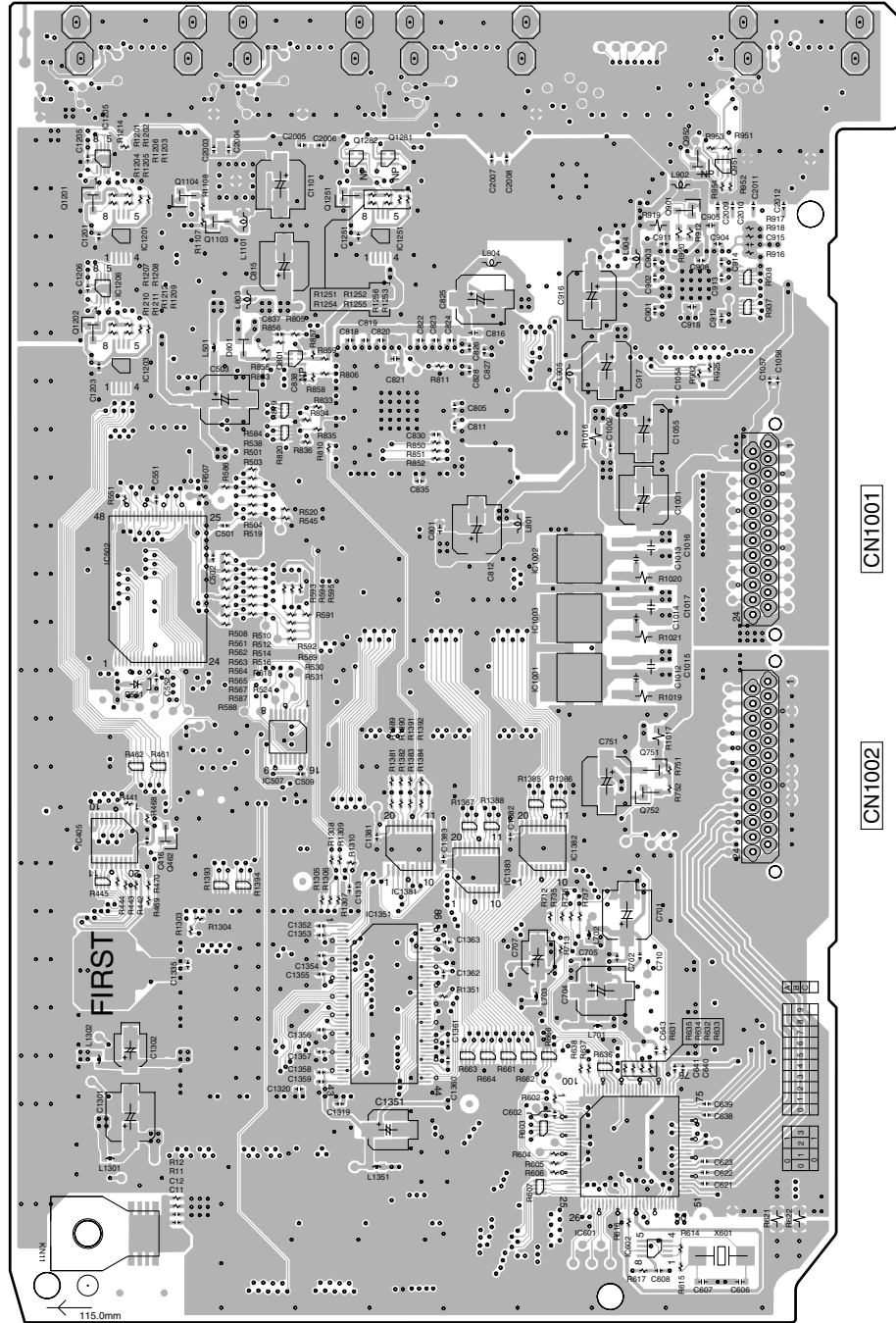
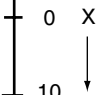
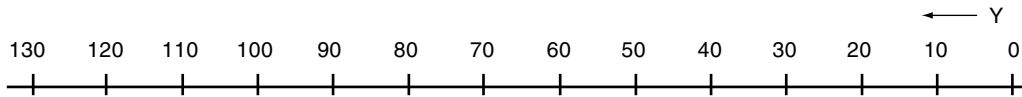
F

SIDE B

AGF HDMI & DVC ASSY

SIDE B

A



CN1001

CN1002

(ANP7581-B)

F

1 2 3 4

3. SCHEMATIC DIAGRAM

3.1 TRANS SIDE ASSY

GF TRANS SIDE ASSY
(AWX8653)

PF CN5705

REAR FAN

CN4403
52045-1745

CN4401
S3B-EH

CN4402
S13B-PH-K-S

4401
51048-0400

D CN3551

X J4009

HPSW (1) → HPSW (4)
 WUP (2) → WUP (3)
 RYAC (3) → RYAC (2)
 V+5.6ST (4) → V+5.6ST (1)
 GNDST (5) → GNDST (2)
 GNDST (6) → GNDST (1)
 RYB (7) → RYB (1)
 RYCS (8) → RYCS (2)
 RYHP (9) → RYHP (3)
 RYA (10) → RYA (4)
 +12V (11) → +12V (5)
 -12V (12) → -12V (6)
 LOCK DET (13) → LOCK DET (7)
 -FAN (14) → -FAN (8)
 -FAN (15) → -FAN (9)
 +FAN (16) → +FAN (10)
 +FAN (17) → +FAN (11)

REAR FAN connections:
 LOCK DET (3) → LOCK DET (7)
 -FAN (2) → -FAN (8)
 +FAN (1) → +FAN (10)

CN4402 connections:
 L4401 R4401 (1) → HPL (1)
 L4402 R4402 (2) → HPG (2)
 L4403 R4403 (3) → HPR (3)
 L4404 R4404 (4) → V-12V (4)
 L4405 R4405 (5) → V+12V (5)
 L4406 R4406 (6) → RYA (6)
 L4407 R4407 (7) → RYHP (7)
 L4408 R4408 (8) → RYCS (8)
 L4409 R4409 (9) → RYB (9)
 L4410 R4410 (10) → GNDST (10)
 L4411 R4411 (11) → V+5.6ST (11)
 L4412 R4412 (12) → RYAC (12)
 L4413 R4413 (13) → WUP (13)

L:VTL1083x13
 R:standby

GF **GF**

3.2 POWER PROTECT ASSY

PF POWER PROTECT ASSY
(AWX8660)

PF POWER PROTECT ASSY (AWX8660)

GF CN4403

FAN

CN5706
S3B-EH

CN5705
52044-1745

S J6104

CN5704 connections:
 V+12V (1) → V+12V (5)
 V-12V (2) → V-12V (6)
 LOCKDET (3) → LOCKDET (7)
 -FAN (4) → -FAN (8)
 +FAN (5) → +FAN (9)

CN5705 connections:
 HPSW (17) → HPSW (4)
 WU (18) → WUP (3)
 RYAC (15) → RYAC (2)
 V+5.6ST (14) → V+5.6ST (1)
 GNDST (13) → GNDST (2)
 GNDST (12) → GNDST (1)
 RYB (11) → RYB (1)
 RYCS (10) → RYCS (2)
 RYHP (9) → RYHP (3)
 RYA (8) → RYA (4)
 V+12V (7) → +12V (5)
 V-12V (6) → -12V (6)
 LOCKDET (5) → LOCKDET (7)
 -FAN (4) → -FAN (8)
 -FAN (3) → -FAN (9)
 +FAN (2) → +FAN (10)
 +FAN (1) → +FAN (11)

CN5706 connections:
 F.FAN+ (1) → F.FAN+ (10)
 F.FAN- (2) → F.FAN- (11)
 F.STOP (3) → F.STOP (12)

R5711 10k, R5712 4.7k, R5713 10k, R5718 100k, R5719 100k
 C5703 0.01, C5704 0.01
 D5702 1SS355, D5703 1SS355
 IC5701 BA4560RF-TBB
 VEF1040-A (5701)

GF **PF** **GF** **PF**

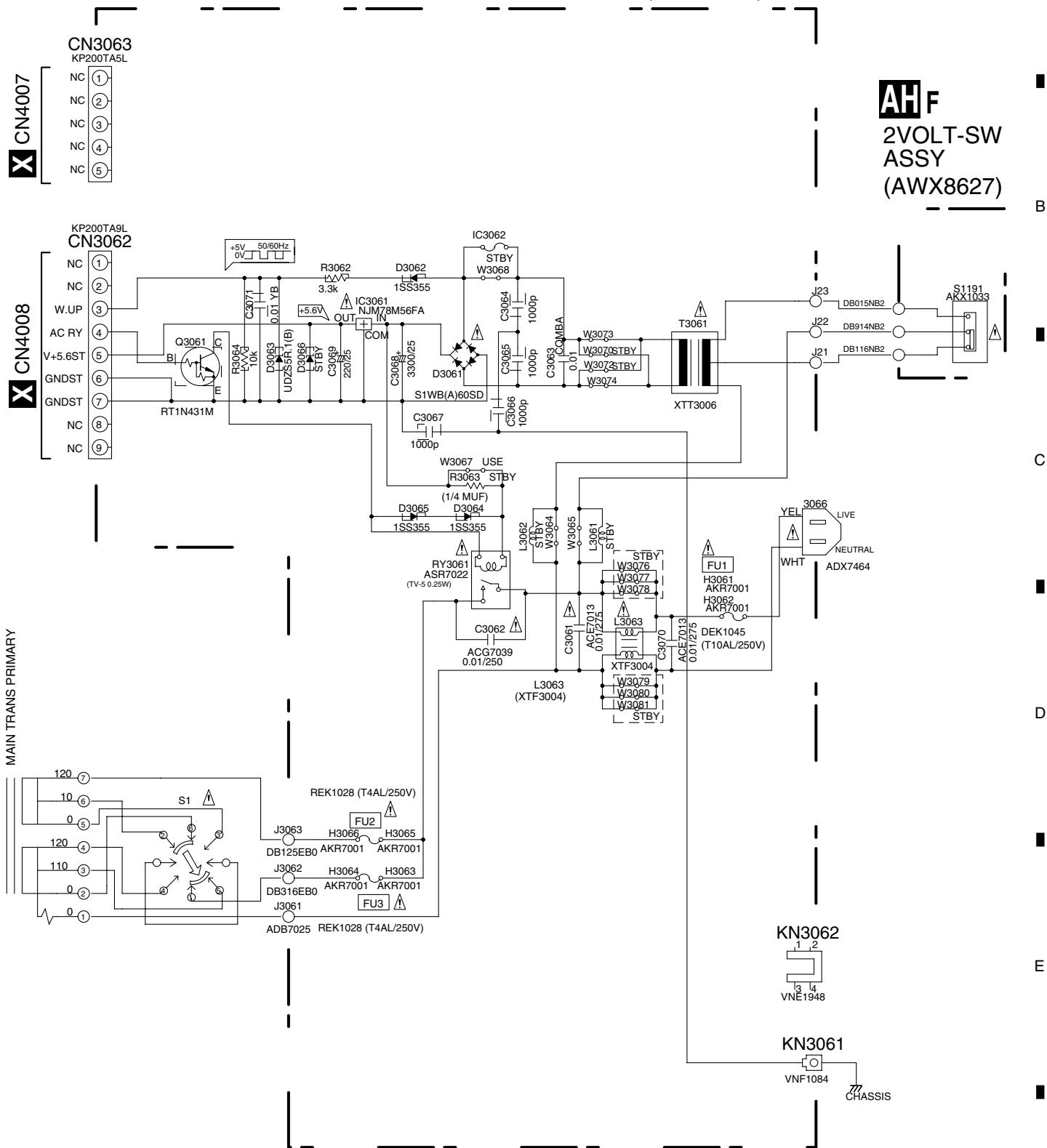
30 VSX-AX4ASi-S

1 2 3 4

3.3 PRIMARY and 2VOLT-SW ASSYS

AA F PRIMARY ASSY (AWX8631)

AH F 2VOLT-SW ASSY (AWX8627)



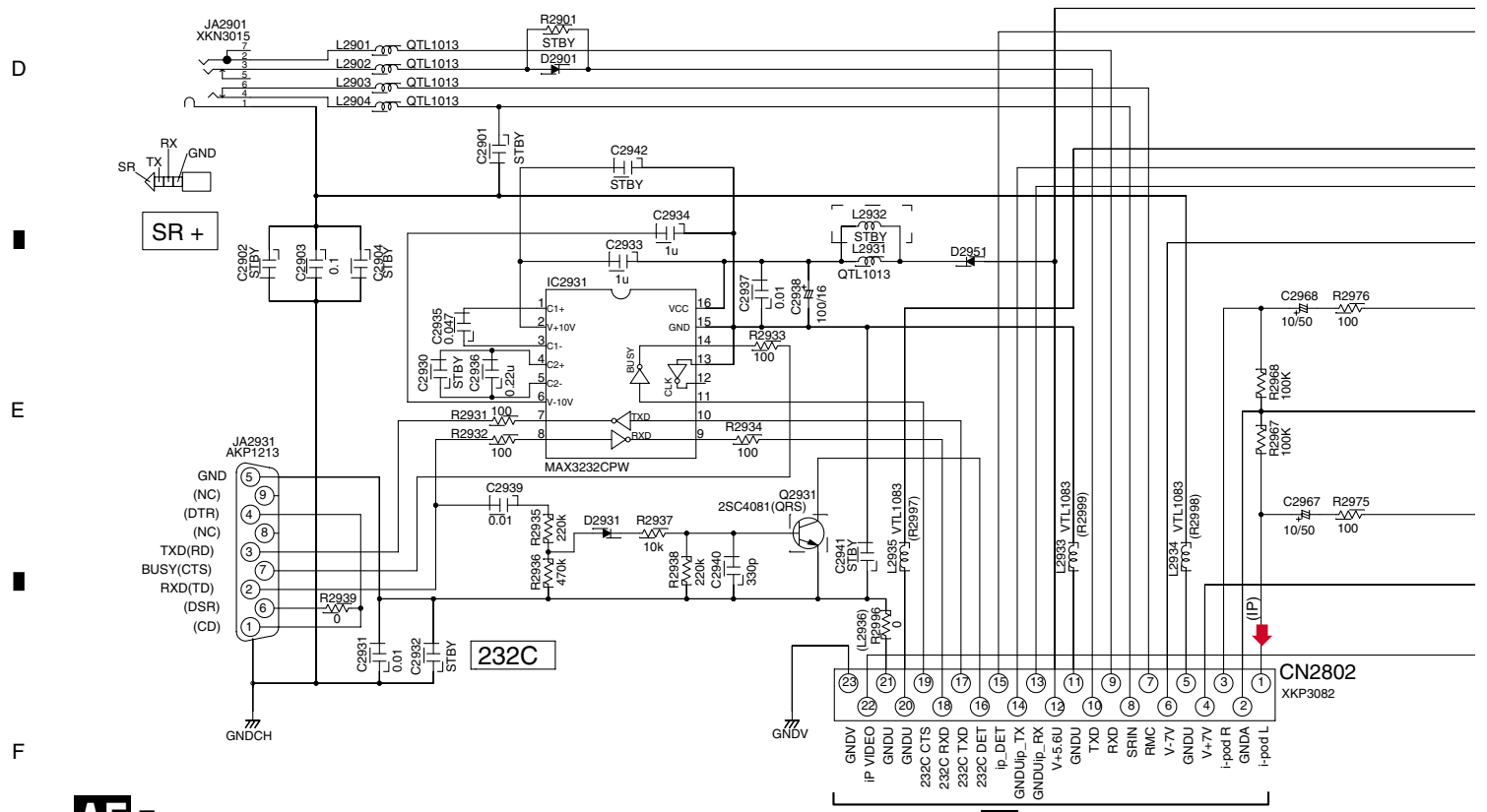
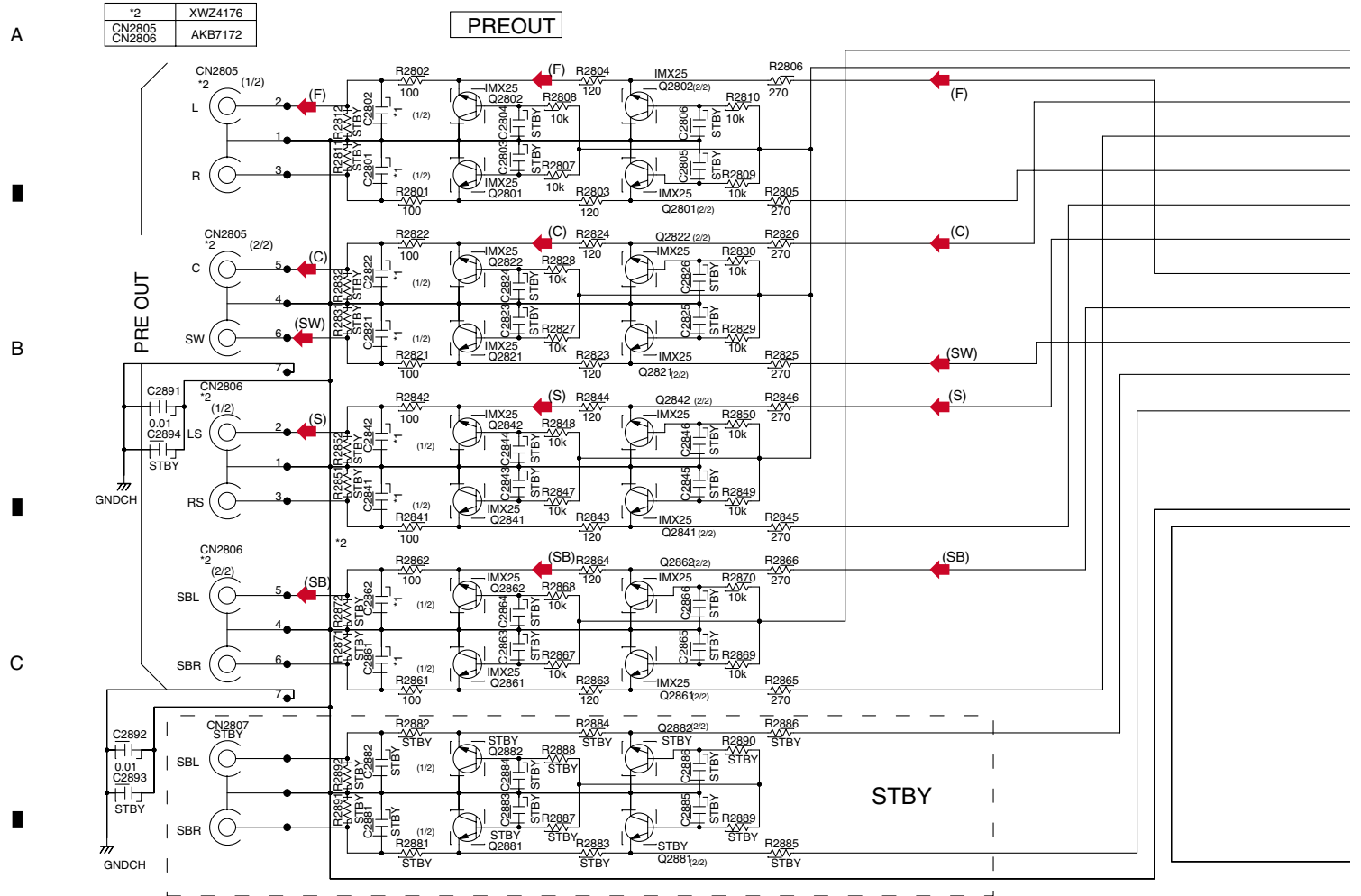
The Δ mark found on some component parts indicates the importance of the safety factor of the part. Therefore, when replacing, be sure to use parts of identical designation.

CAUTION
FOR CONTINUED PROTECTION AGAINST RISK OF FIRE, REPLACE WITH SAME TYPE AND RATINGS OF FUSE.

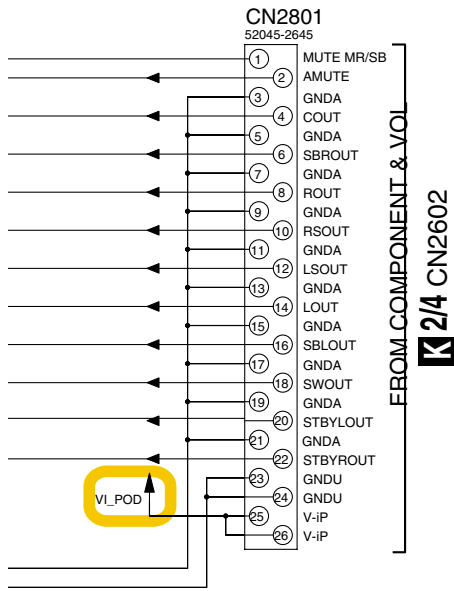
AA F AH F

AA F AH F

3.4 PREOUT & CONTROL ASSY



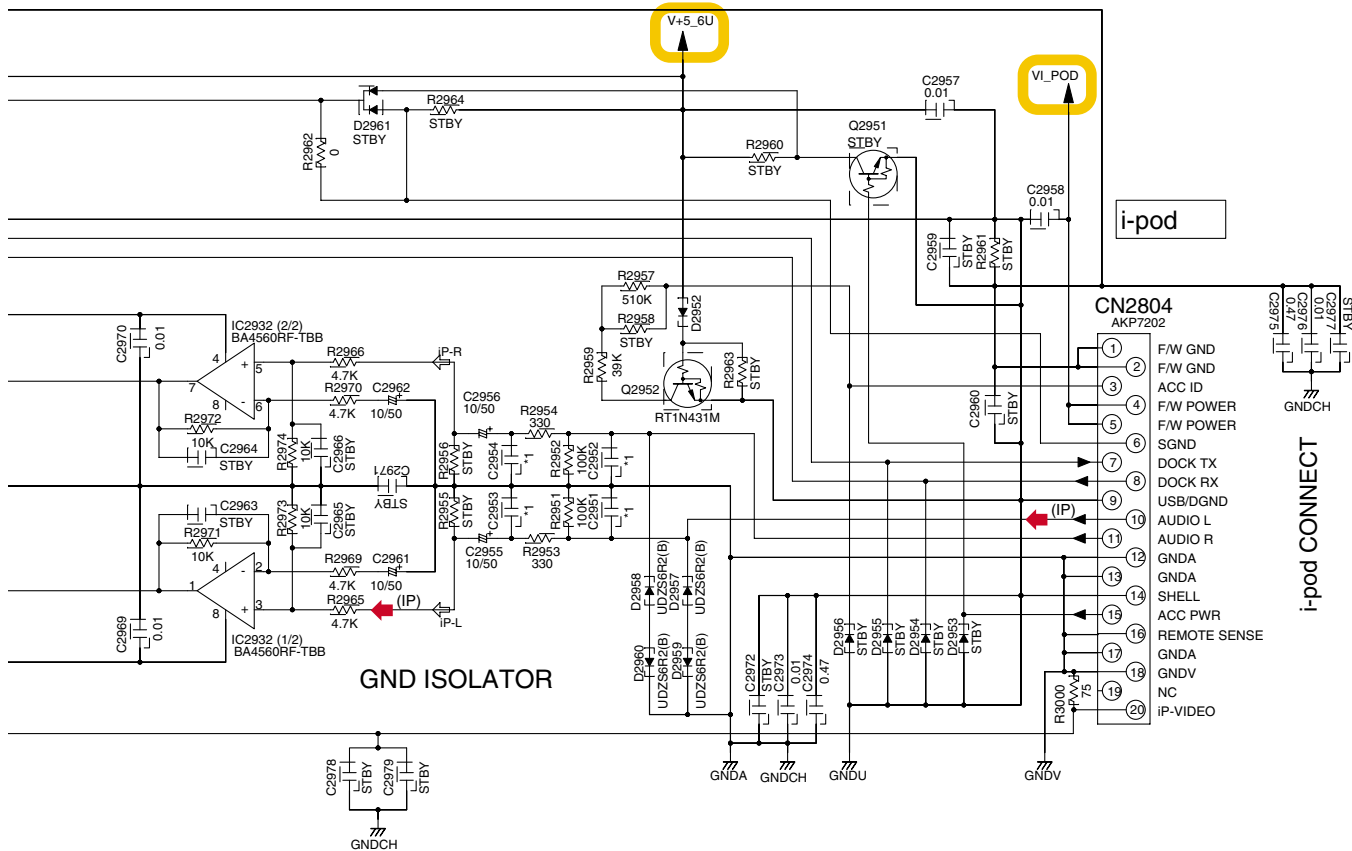
AE F PREOUT & CONTROL ASSY (XWZ4176)



- NOTES**
- RESISTORS**
Unit: k-kΩ, M-MΩ or Ω unless otherwise noted.
Rated power: 1/16W unless otherwise noted.
Tolerance: ±5%(J) unless otherwise noted.
 - CAPACITORS**
No marked Capacitors are CEAT or CKSRYB.
Unit: p-pF or μF unless otherwise noted.
Rated Voltage: shown as "Capacity(μF)/Voltage(V)", or 50V unless otherwise noted.
 - DIODES**
No marked Diodes are 1SS355.
* Parts or parts block marked by "STBY" are standby.

- (F) : AUDIO SIGNAL ROUTE (F)
- (C) : AUDIO SIGNAL ROUTE (C)
- (S) : AUDIO SIGNAL ROUTE (S)
- (SB) : AUDIO SIGNAL ROUTE (SB)
- (SW) : AUDIO SIGNAL ROUTE (SW)
- (IP) : AUDIO SIGNAL ROUTE (IP)

*1	XWZ4176
C2801, C2802	
C2801, C2802	330p
C2841, C2842	
C2861, C2862	100p
C2951, C2952	
C2953, C2954	



3.5 HDMI & 1394 ASSY (1/5) (VSX-AX4ASi)

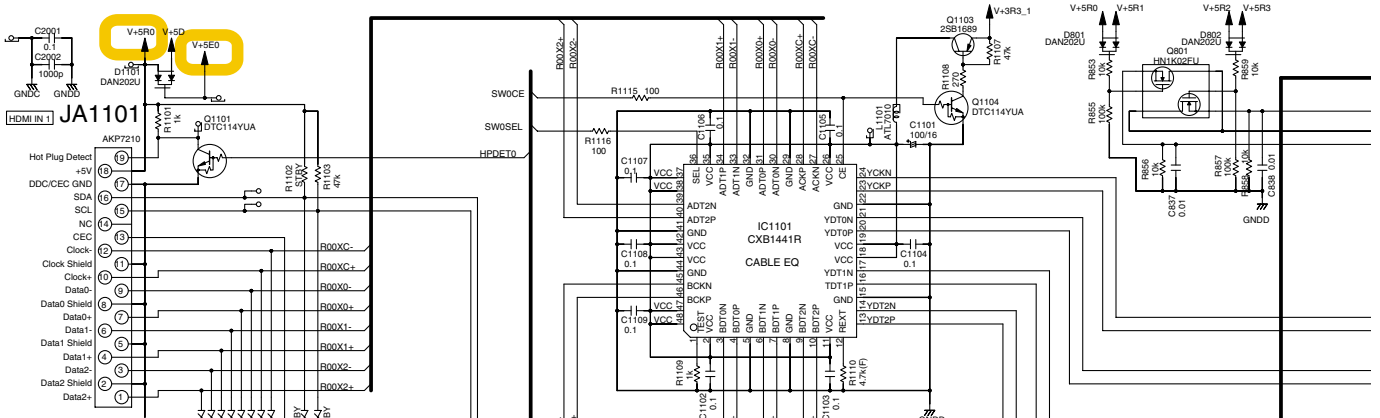
1

2

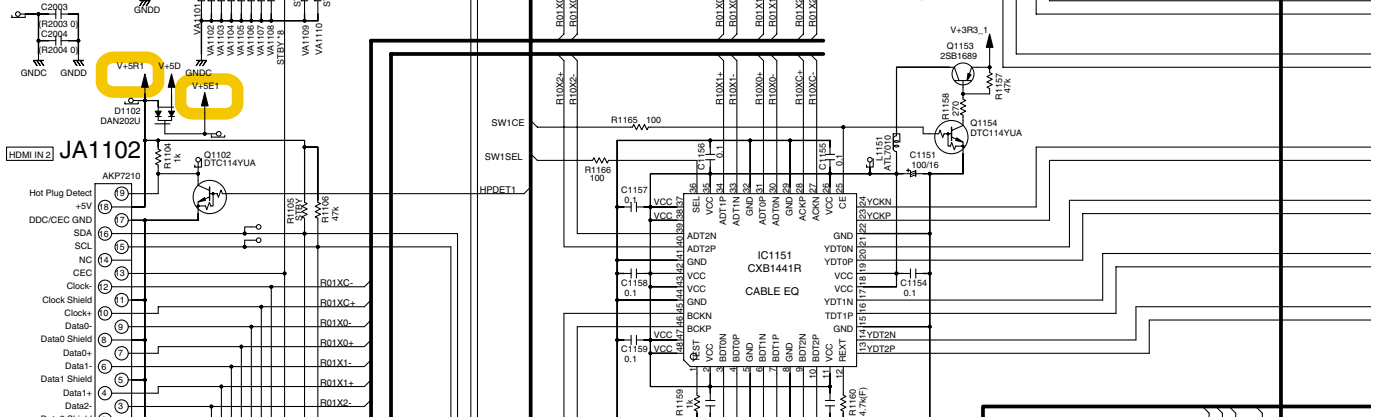
3

4

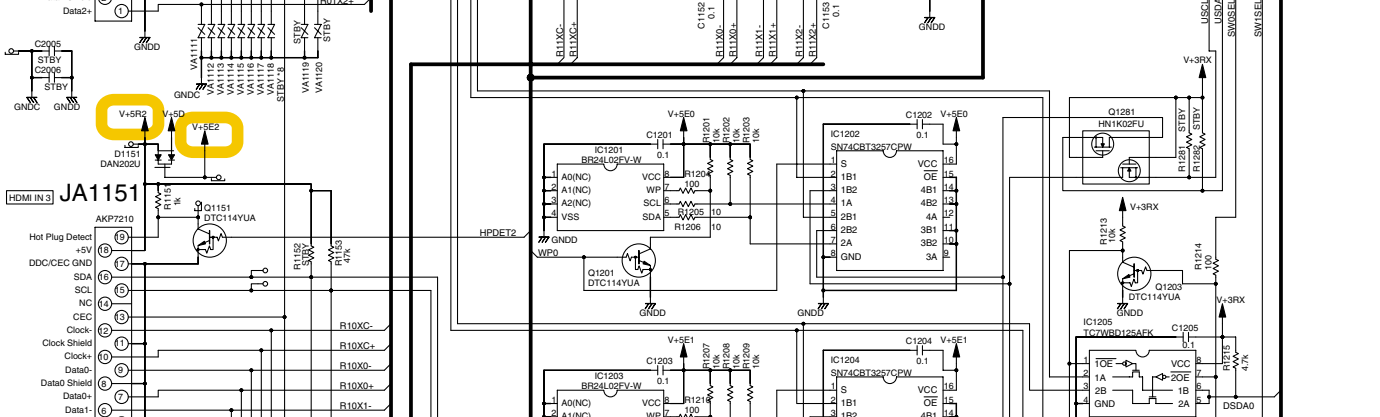
A



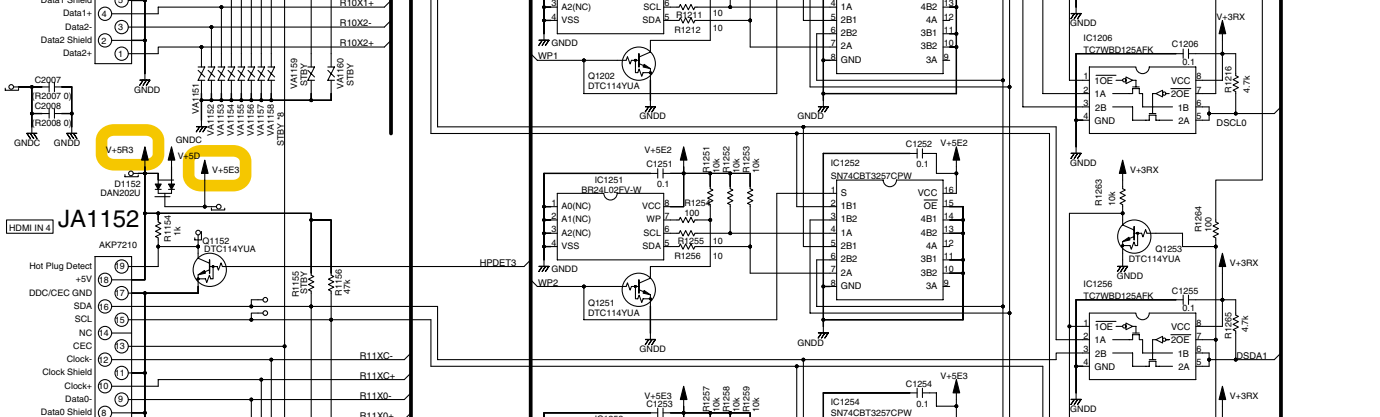
B



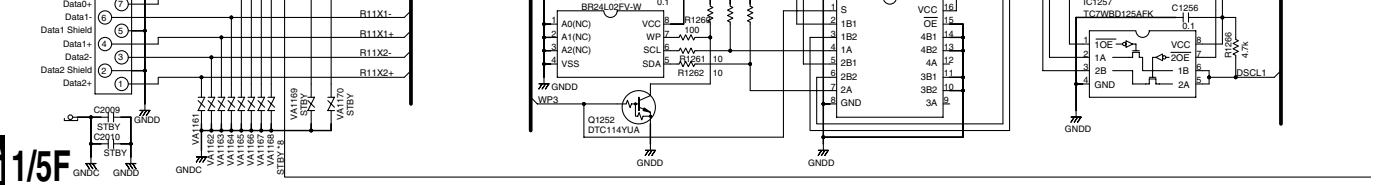
C



D



E



F



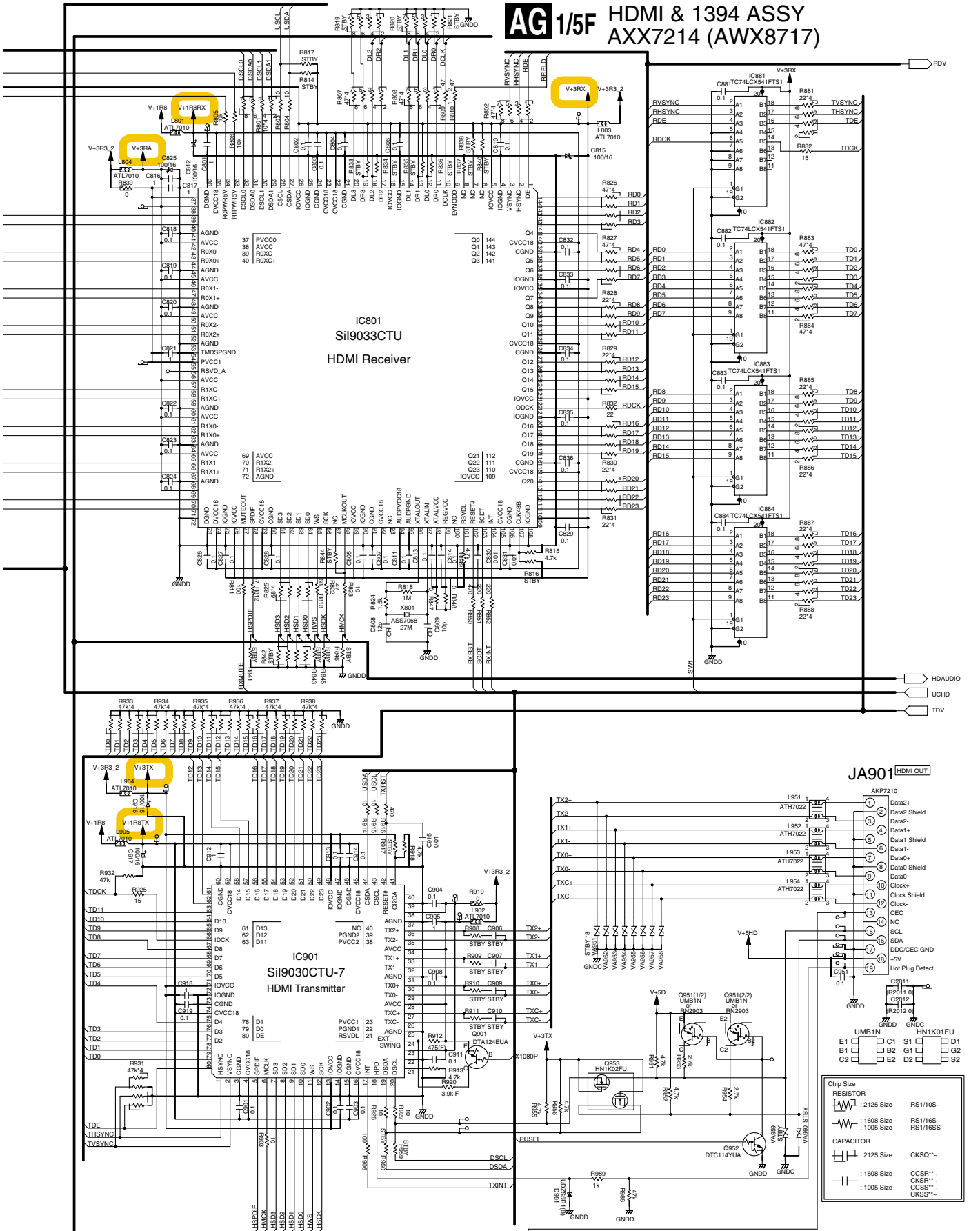
1

2

3

4

AG 1/5F HDMI & 1394 ASSY AXX7214 (AWX8717)



JA901 [HDMI OUT]

AKP7210

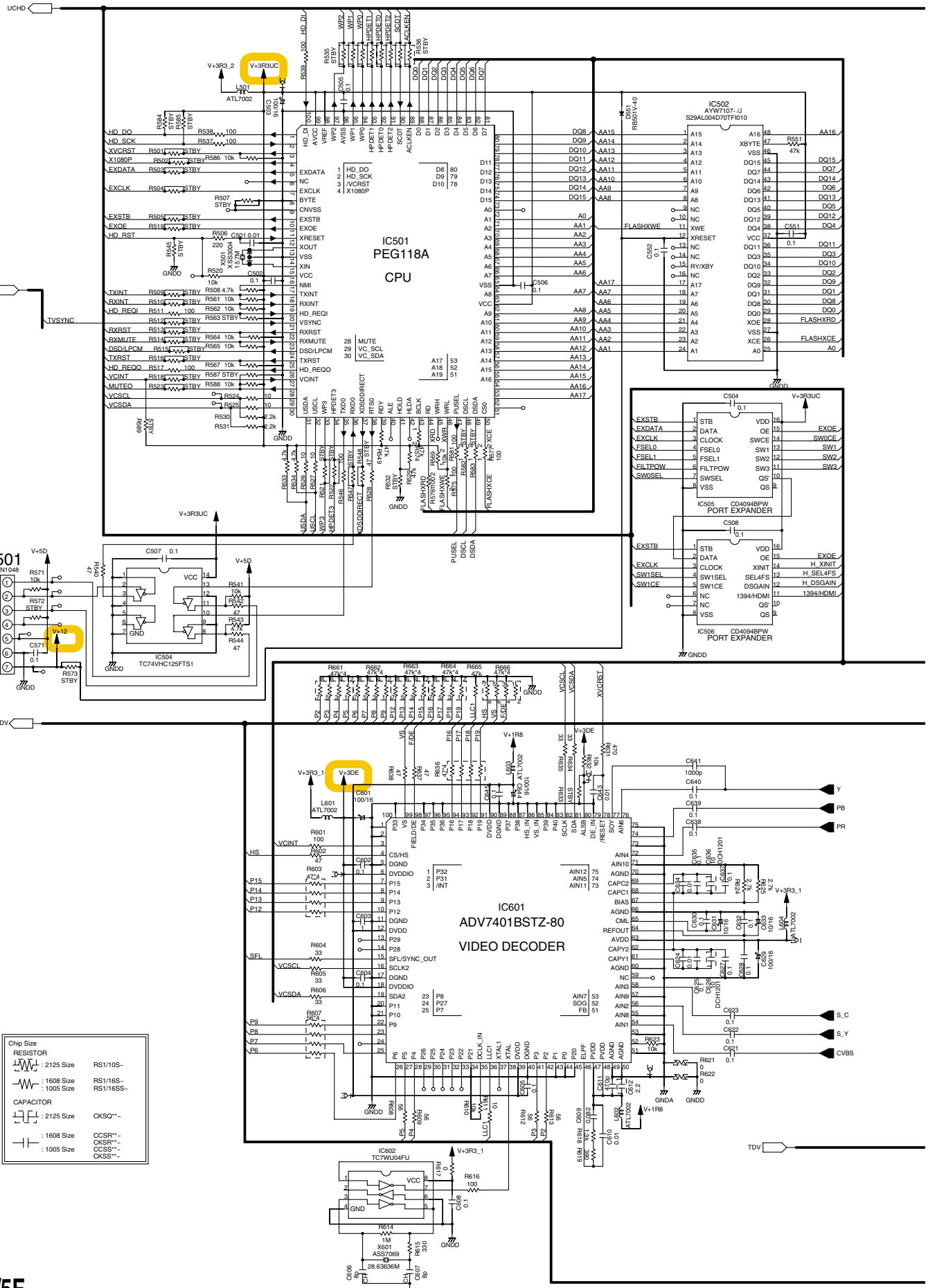
1	Data2+
2	Data2 Shield
3	Data2-
4	Data1+
5	Data1 Shield
6	Data1-
7	Data0
8	Data0 Shield
9	Data0-
10	Clock Shield
11	Clock
12	CEC
13	NC
14	SCL
15	SDA
16	DDC/CEC GND
17	+5V
18	HST Plug Detect
19	C211
20	C212
21	C210
22	R2010

U1B11 UMB1N
U1B12 GND
U1B13 H1K101FU
U1B14 D1
U1B15 G2
U1B16 C1
U1B17 S1
U1B18 G1
U1B19 C2
U1B20 D2
U1B21 G2
U1B22 S2

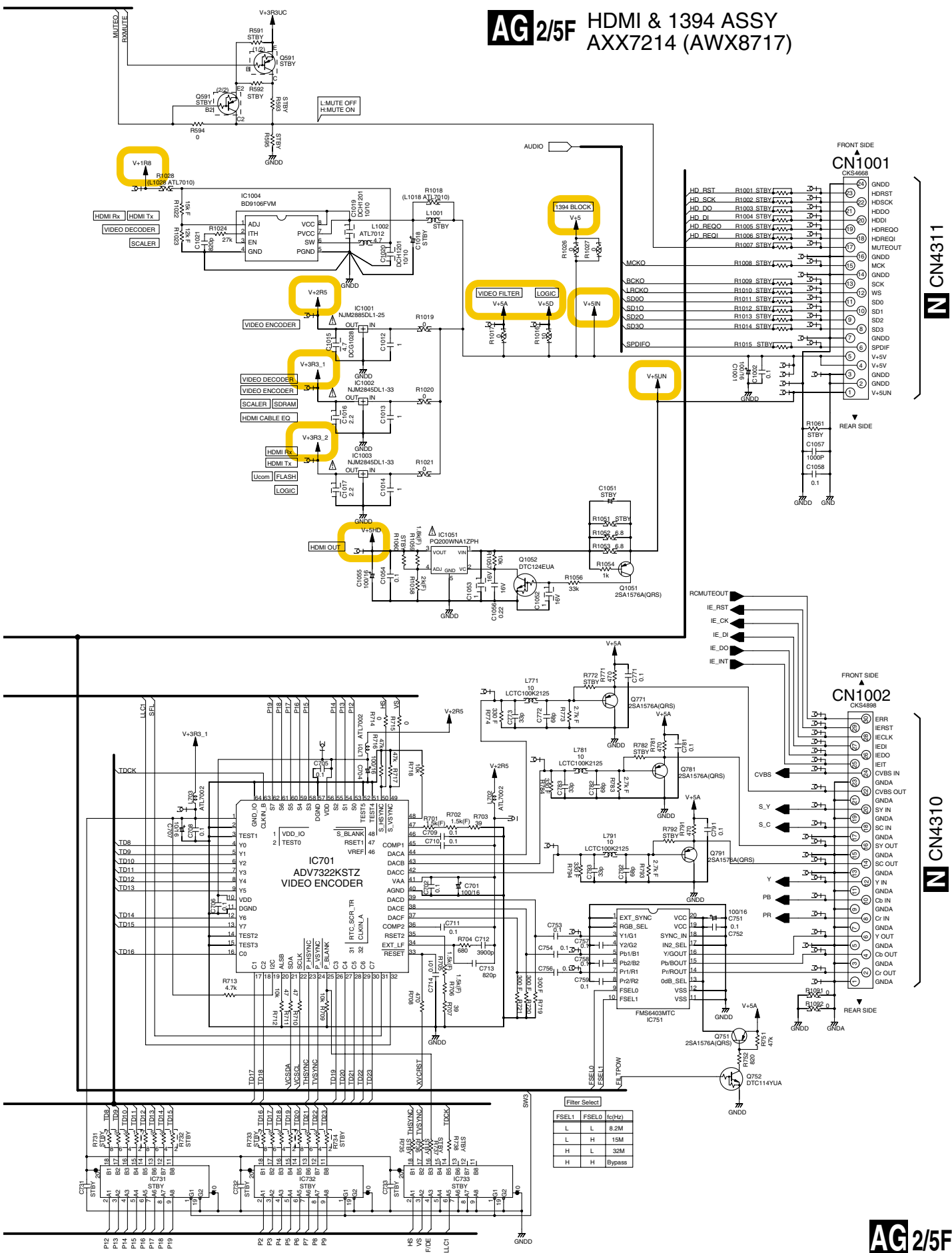
Chip Size
RESISTOR
 - 2125 Size: RS1/10S-
 - 1608 Size: RS1/16S-
 - 1005 Size: RS1/16SS-
 CAPACITOR
 - 2125 Size: CKS0*-
 - 1608 Size: CKSR*-
 - 1005 Size: CKSS*-

A
B
C
D
E
F

3.6 HDMI & 1394 ASSY (2/5) (VSX-AX4ASi)



AG 2/5F HDMI & 1394 ASSY AXX7214 (AWX8717)



CN4311

CN4310

AG 2/5F

3.7 HDMI & 1394 ASSY (3/5) (VSX-AX4ASi)

A

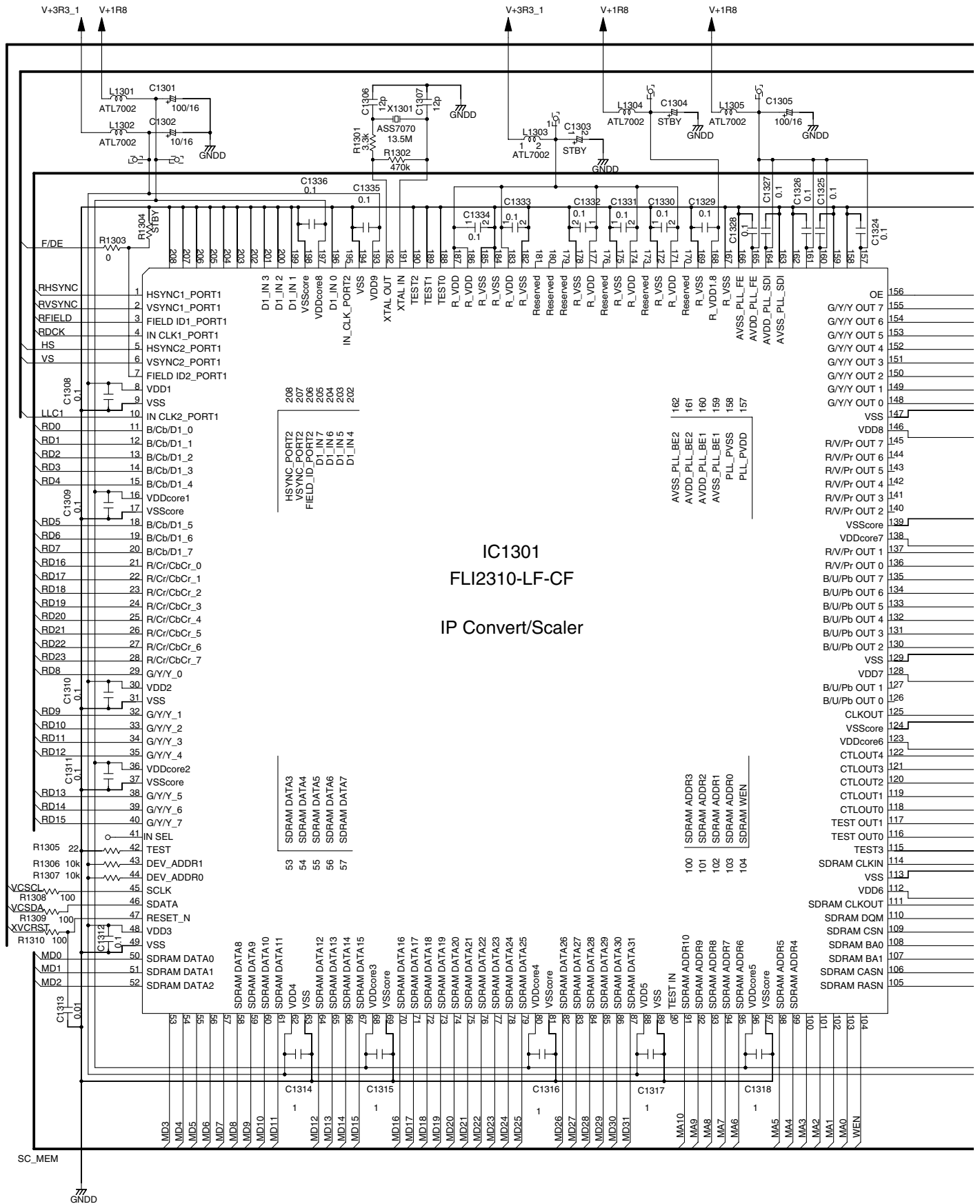
B

C

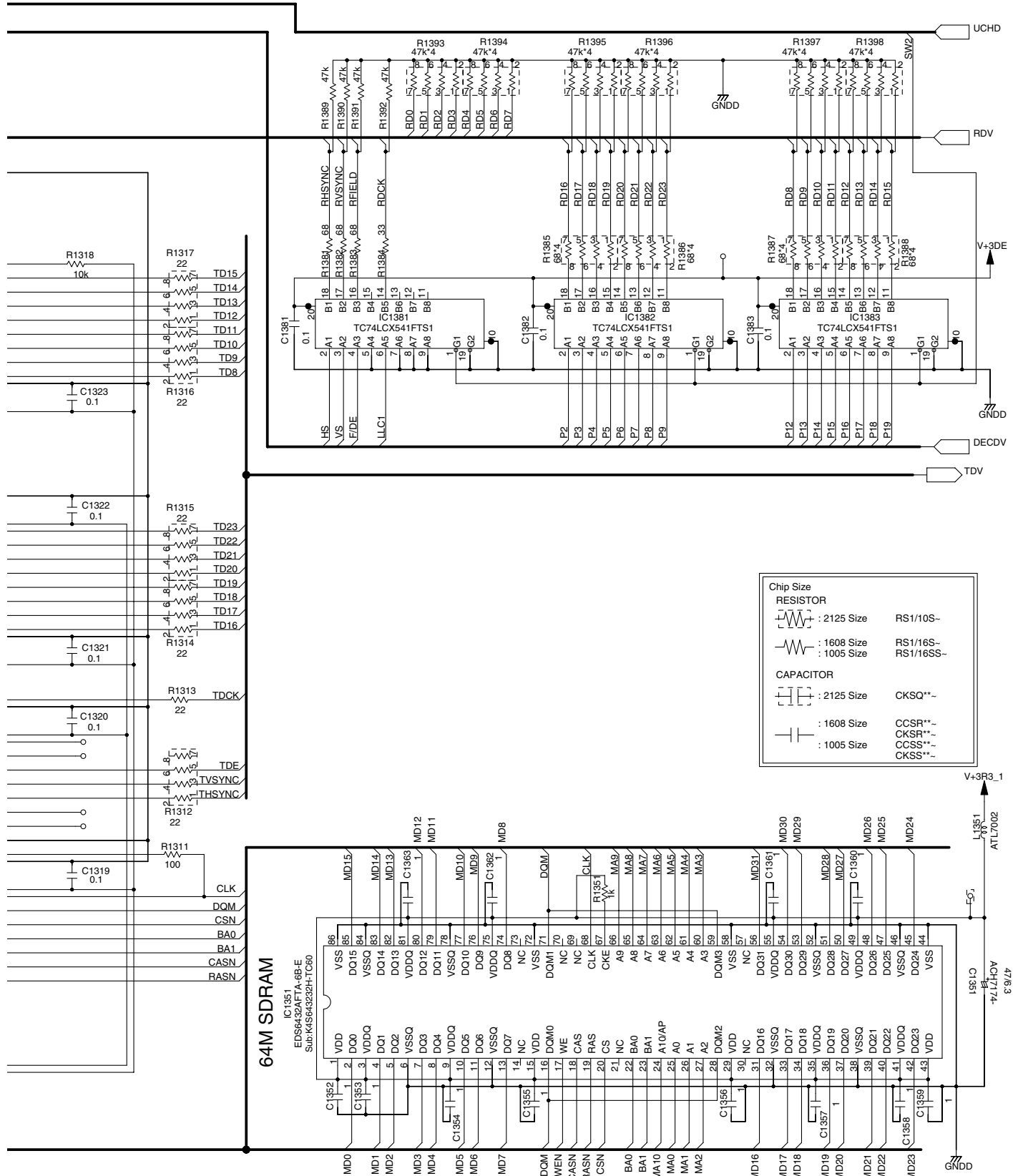
D

E

F



AG 3/5F HDMI & 1394 ASSY AXX7214 (AWX8717)

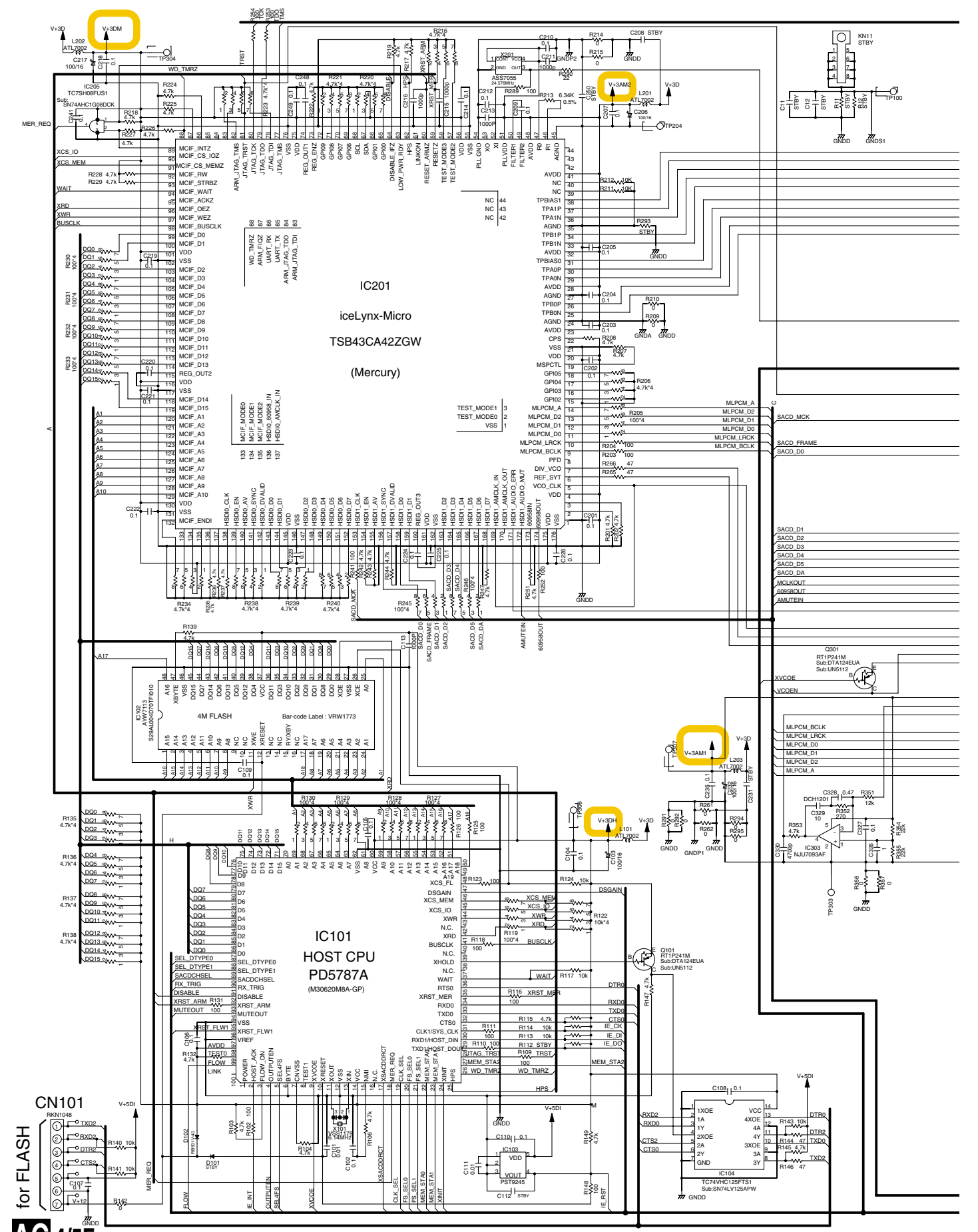


Chip Size RESISTOR	
	: 2125 Size RS1/10S-
	: 1608 Size RS1/16S-
	: 1005 Size RS1/16SS-
CAPACITOR	
	: 2125 Size CKSQ**-
	: 1608 Size CCSR**-, CKSR**-, CCS**-, CKS**-
	: 1005 Size

3.8 HDMI & 1394 ASSY (4/5) (VSX-AX4ASi)

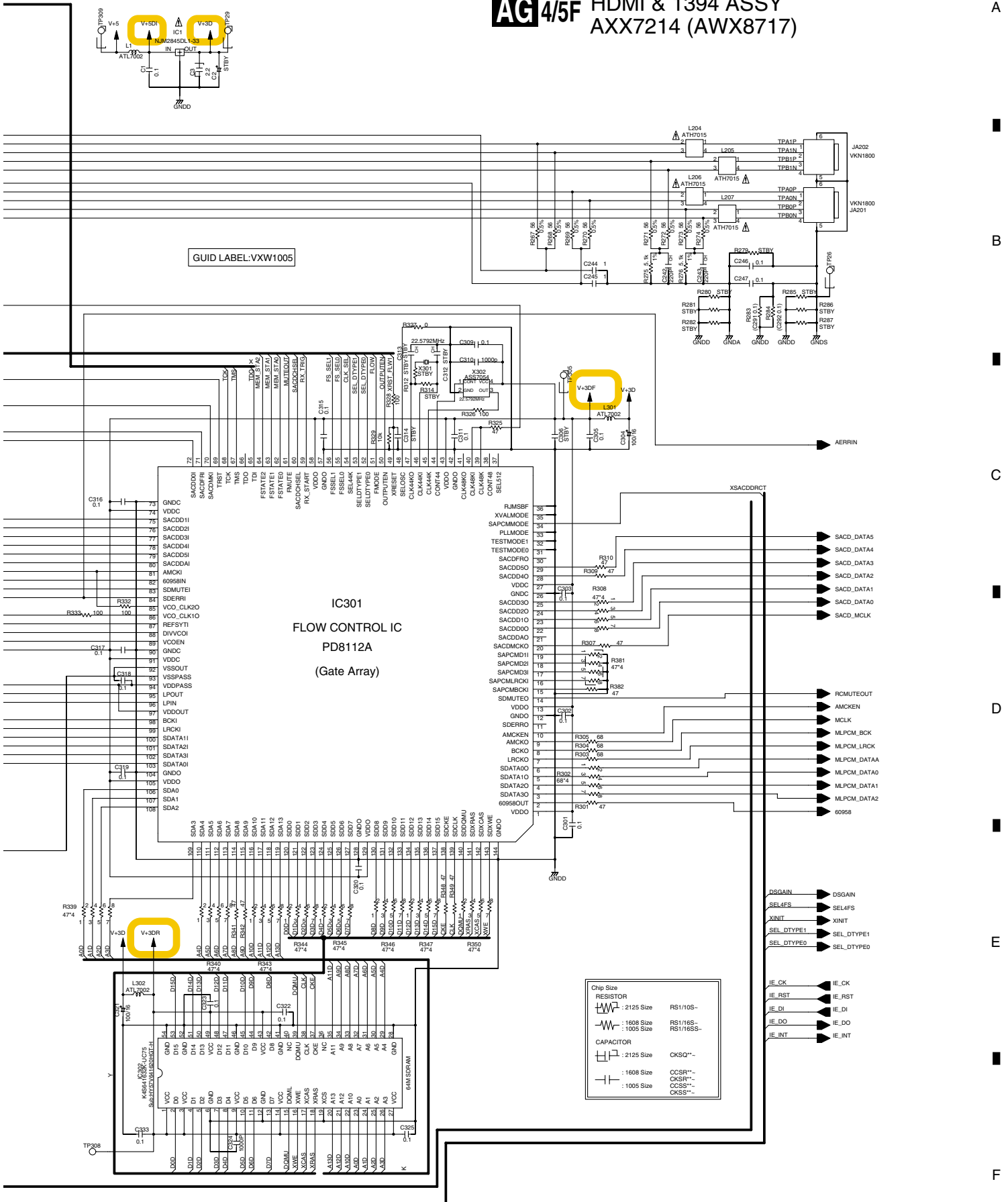
A
B
C
D
E
F

1 2 3 4



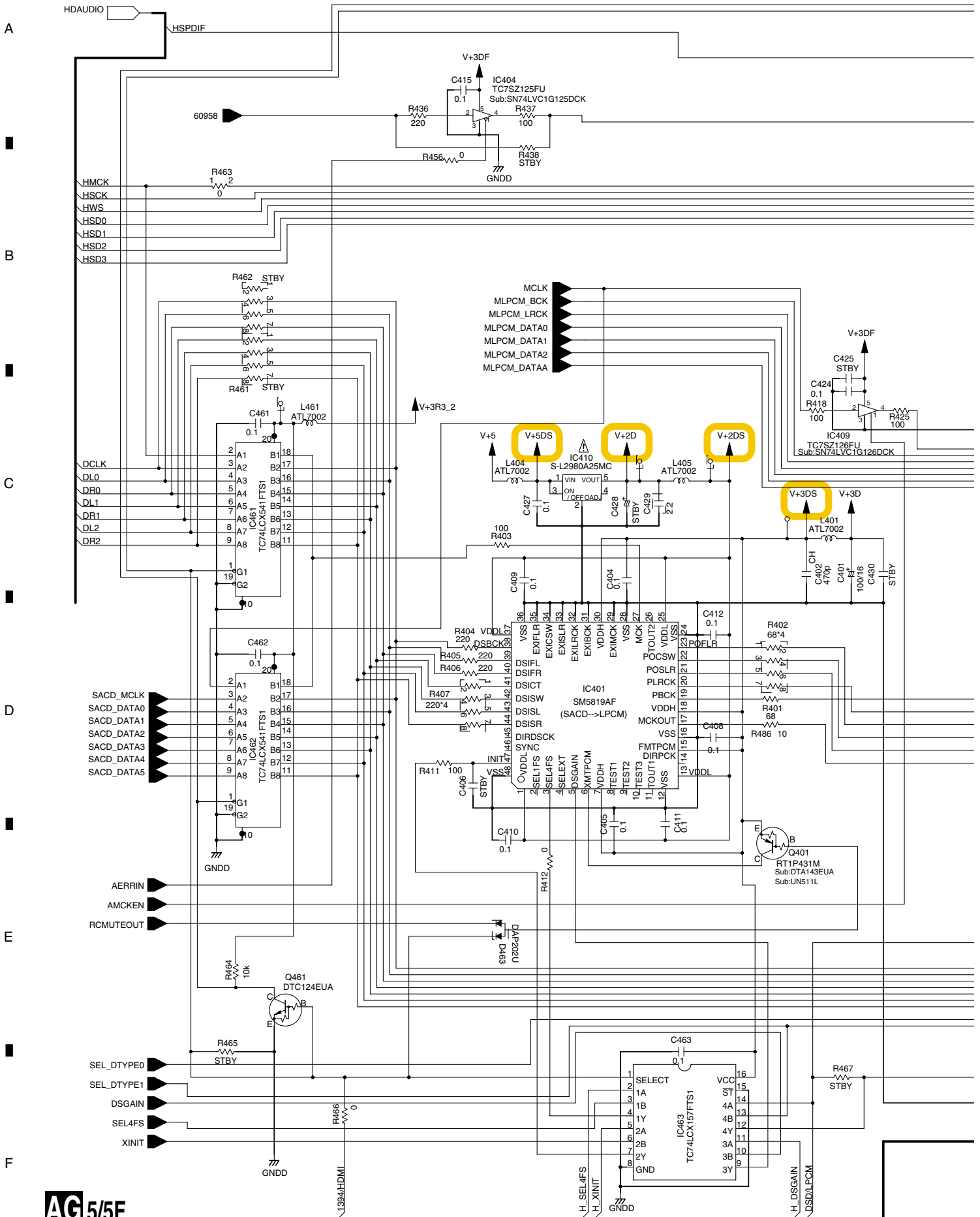
40 1 2 3 4

AG 4/5F HDMI & 1394 ASSY AXX7214 (AWX8717)

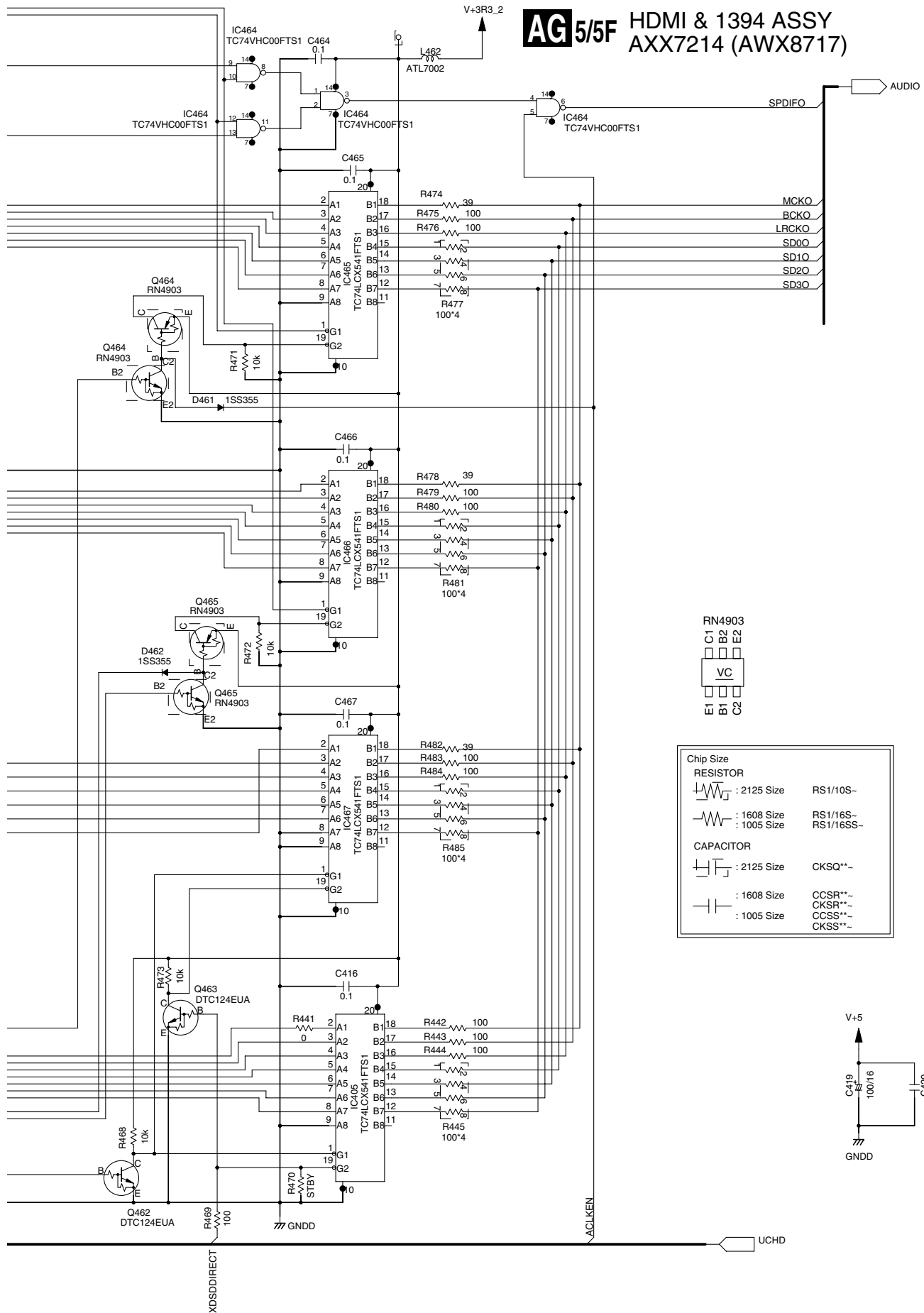


A
B
C
D
E
F

3.9 HDMI & 1394 ASSY (5/5) (VSX-AX4ASi)



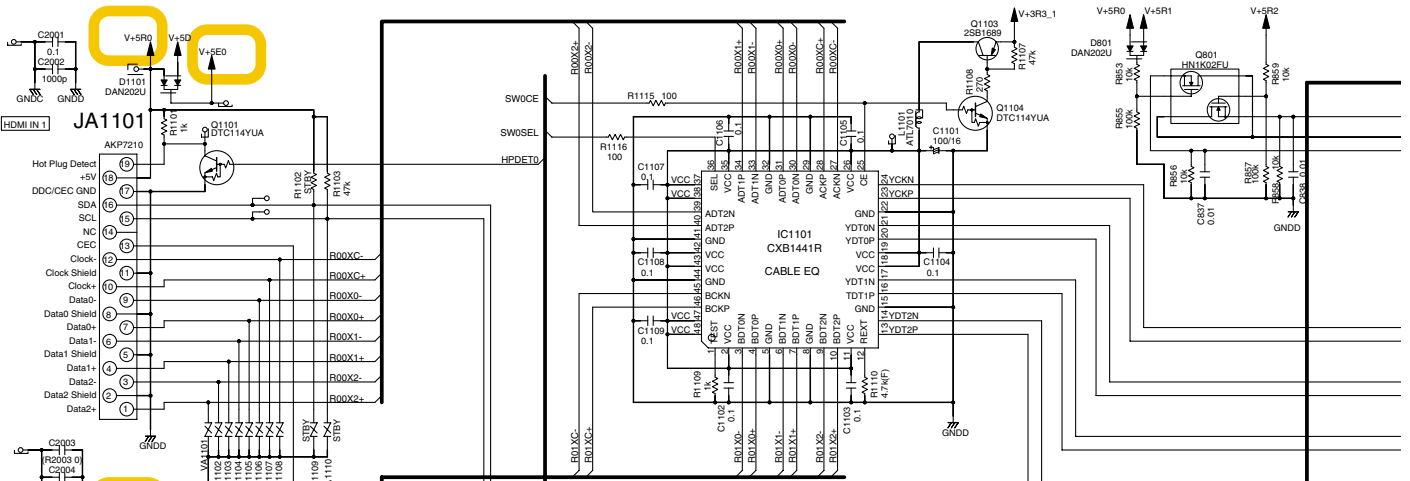
AG 5/5F HDMI & 1394 ASSY
 AXX7214 (AWX8717)



A
B
C
D
E
F

3.10 HDMI & DVC ASSY (1/4) (VSX-AX2AS)

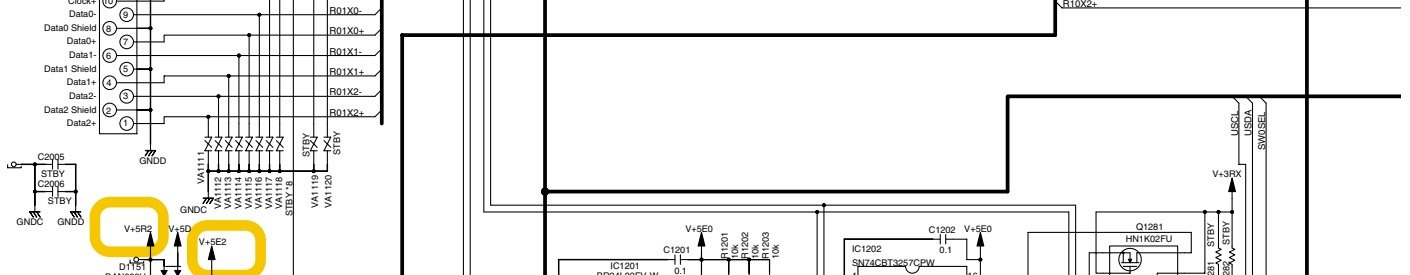
A



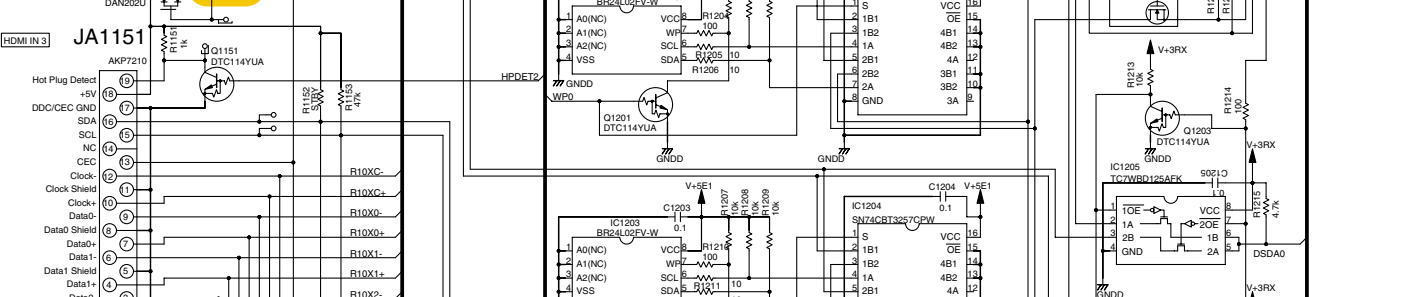
B



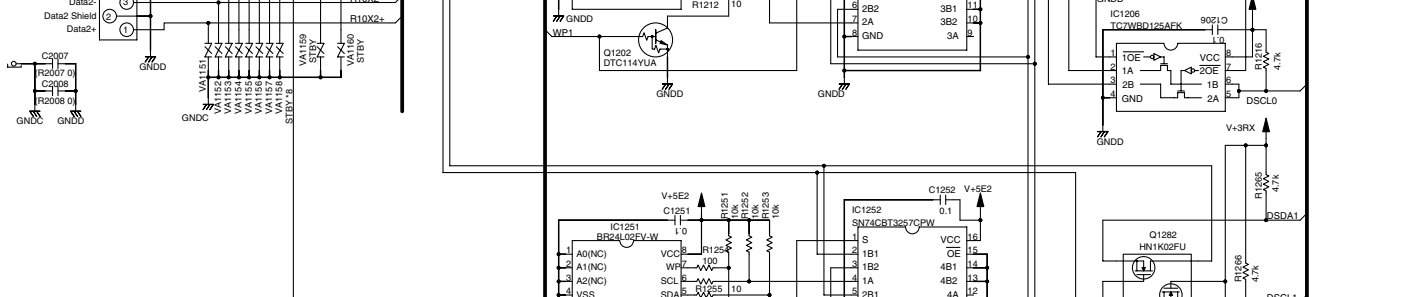
C



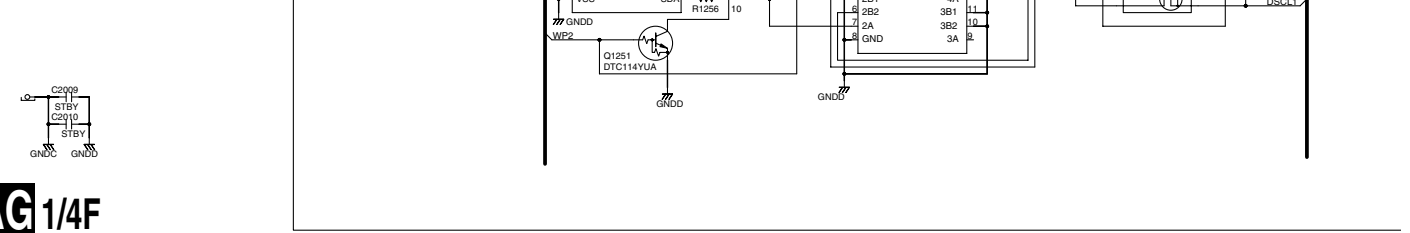
D



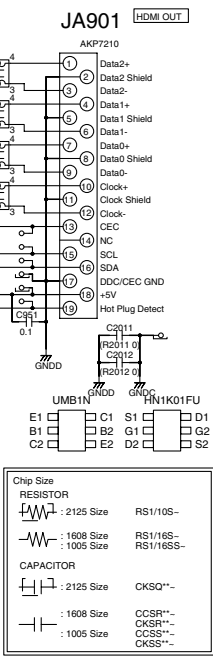
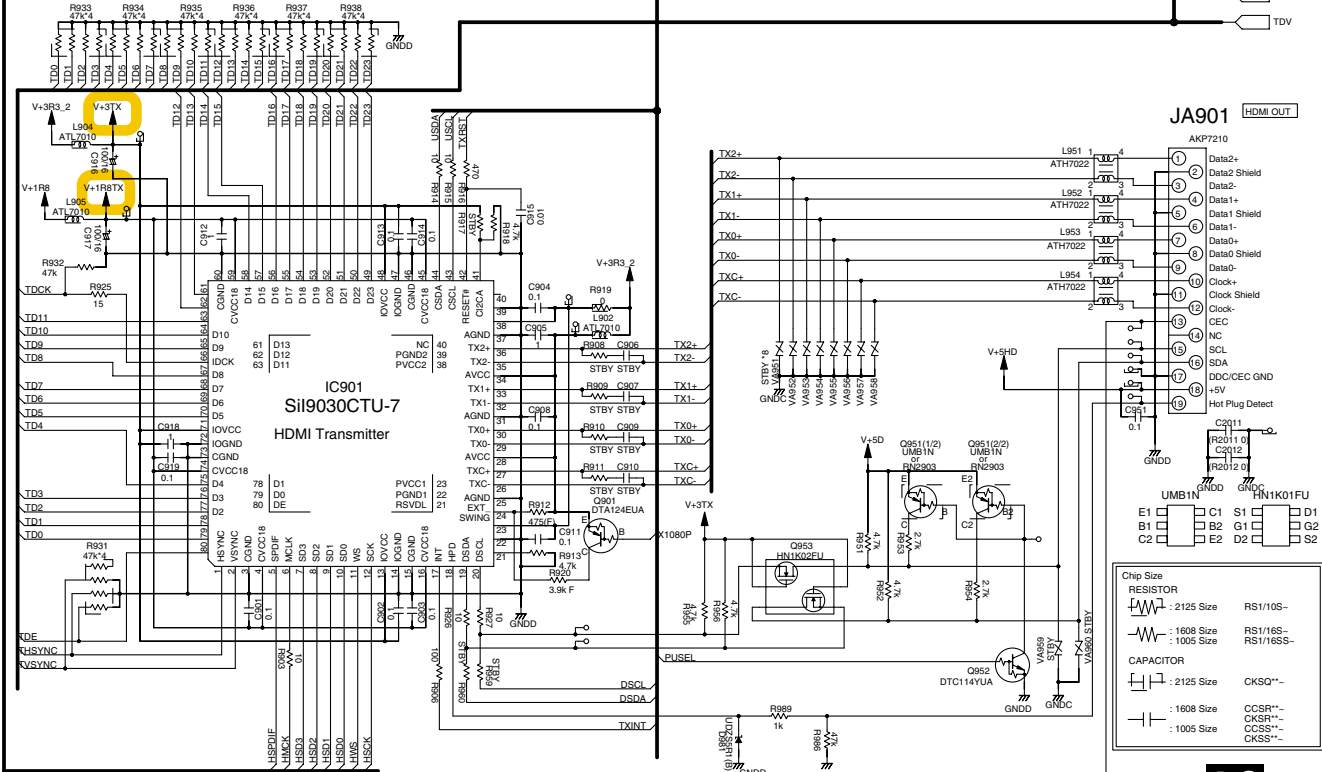
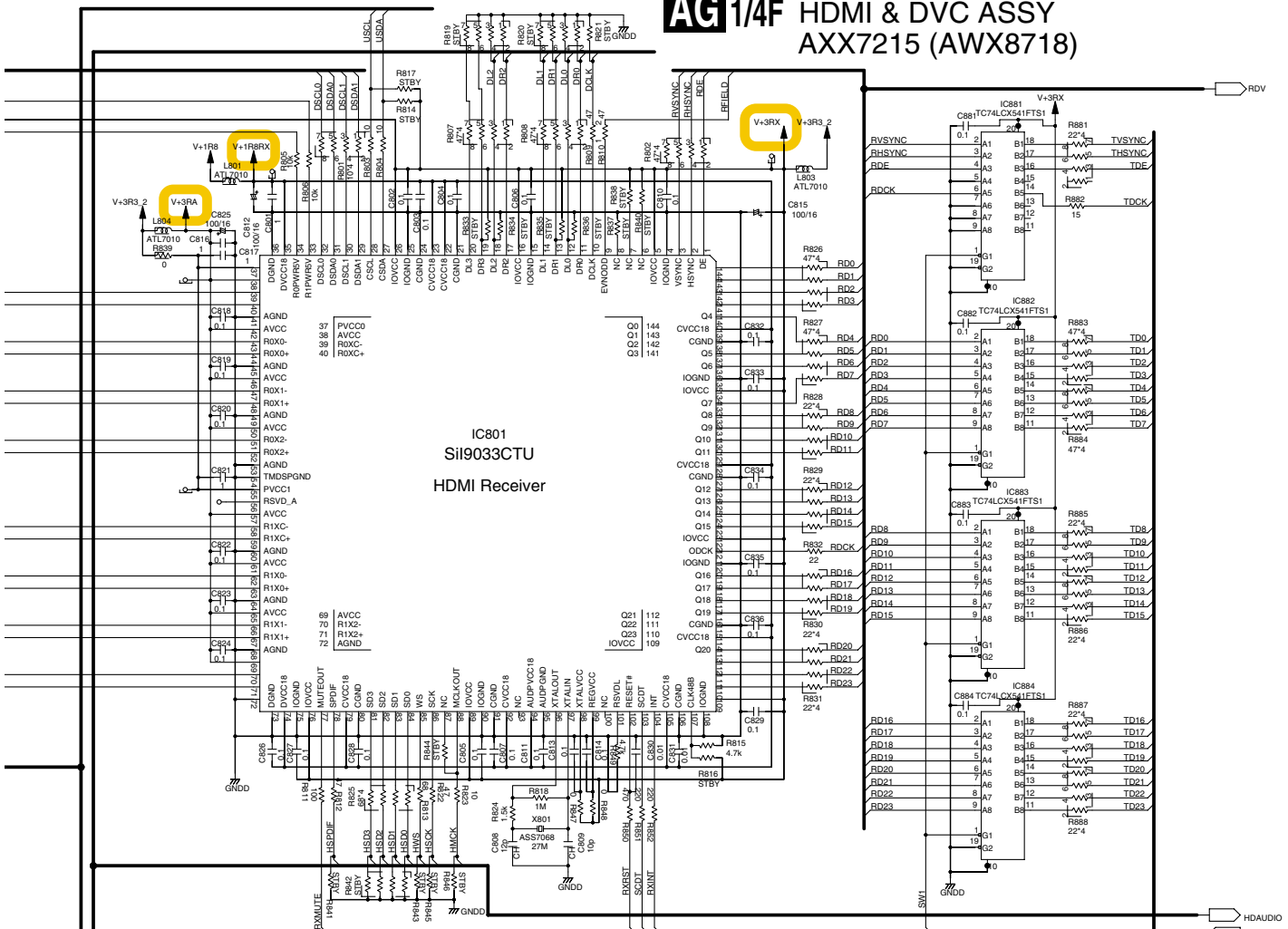
E



F

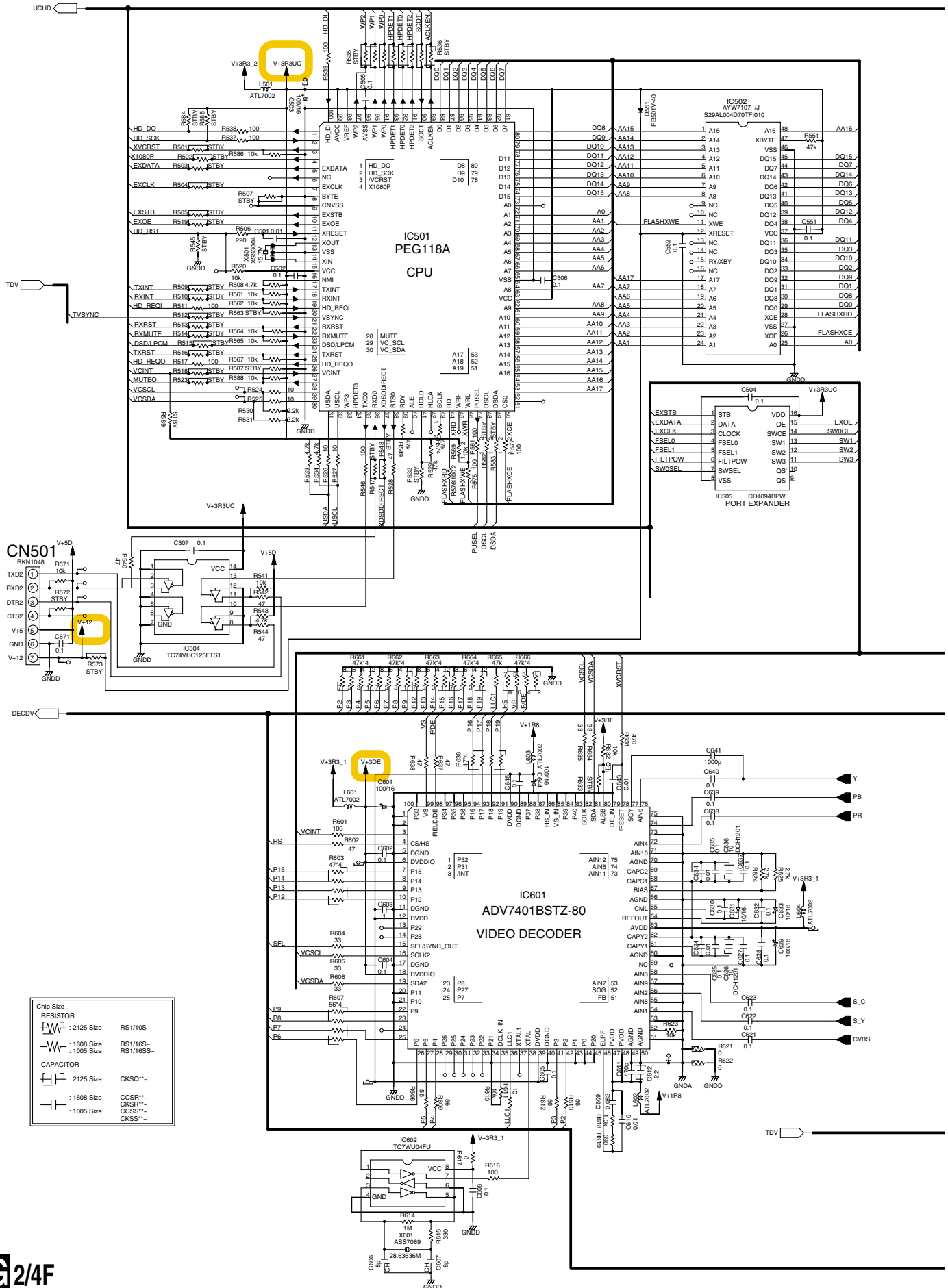


AG 1/4F HDMI & DVC ASSY AXX7215 (AWX8718)



3.11 HDMI & DVC ASSY (2/4) (VSX-AX2AS)

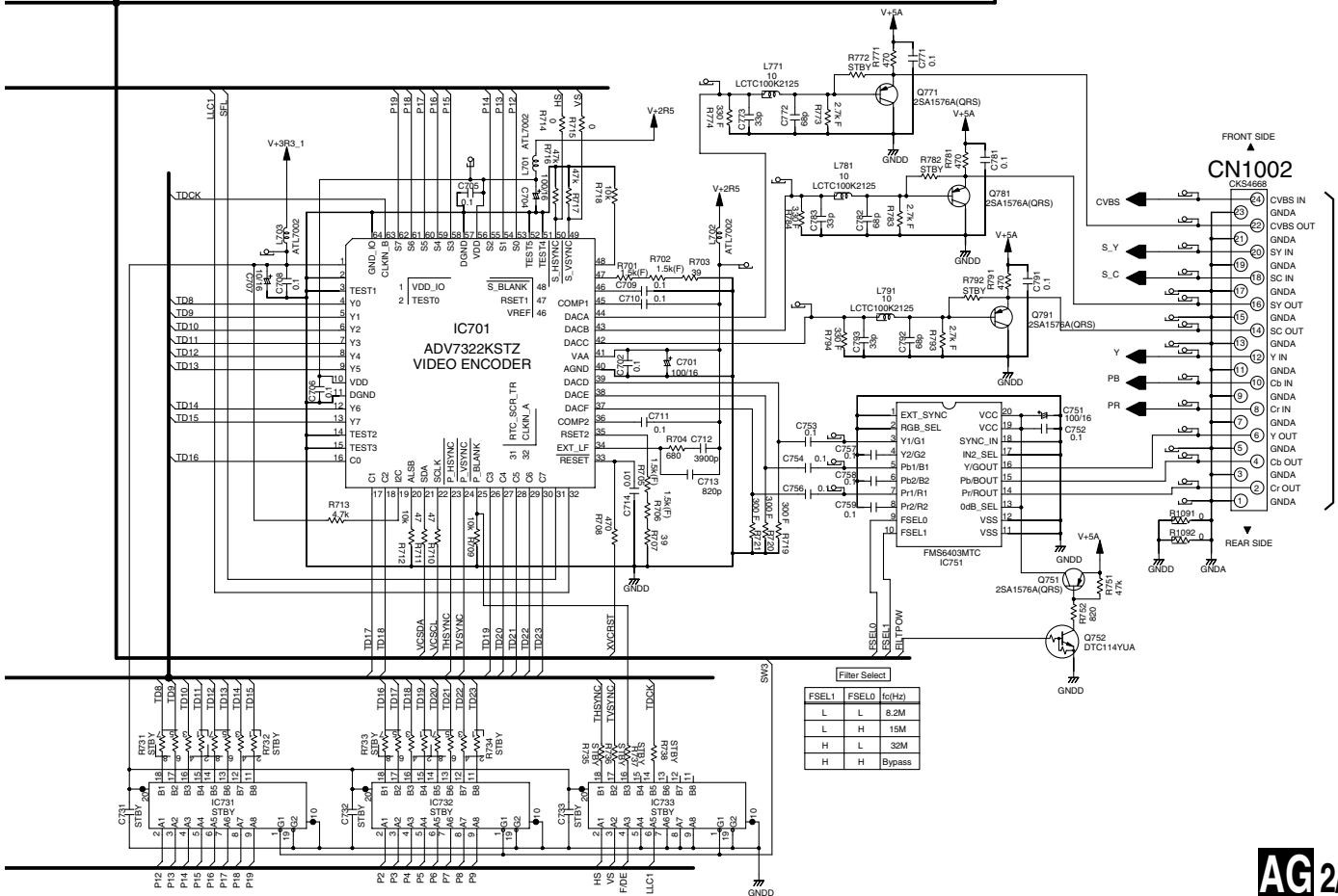
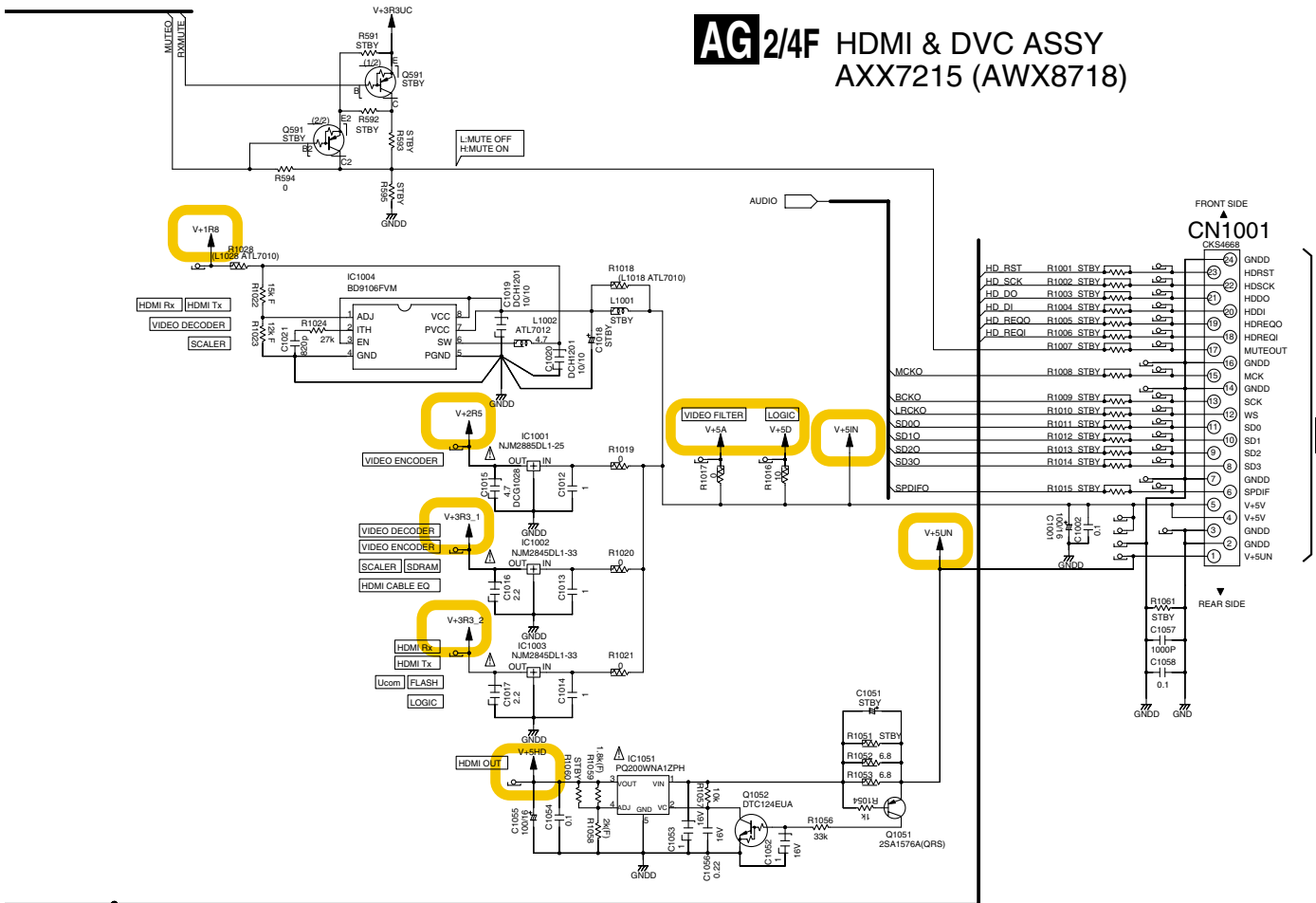
A
B
C
D
E
F



Chip Size		
RESISTOR		
⎓ : 2125 Size	RS1/10S-	
⎓ : 1608 Size	RS1/16S-	
⎓ : 1005 Size	RS1/16SS-	
CAPACITOR		
⎓ : 2125 Size	CKSQ+-	
⎓ : 1608 Size	CCSR+-	
⎓ : 1005 Size	CCSR+-	
⎓ : 1005 Size	CKSS+-	



AG 2/4F HDMI & DVC ASSY AXX7215 (AWX8718)



FRONT SIDE
CN1001
REAR SIDE

FRONT SIDE
CN1002
REAR SIDE

3.12 HDMI & DVC ASSY (3/4) (VSX-AX2AS)

A

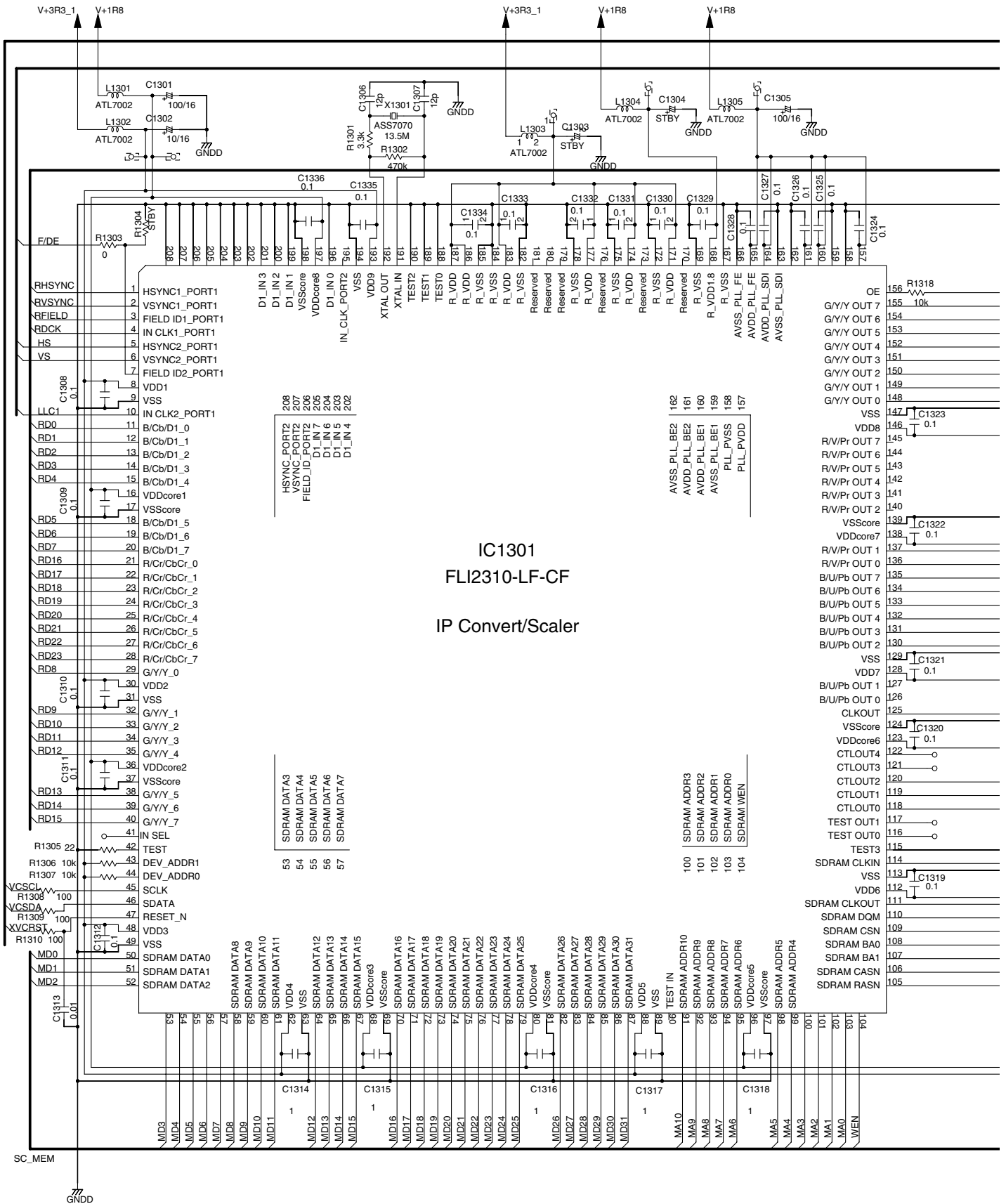
B

C

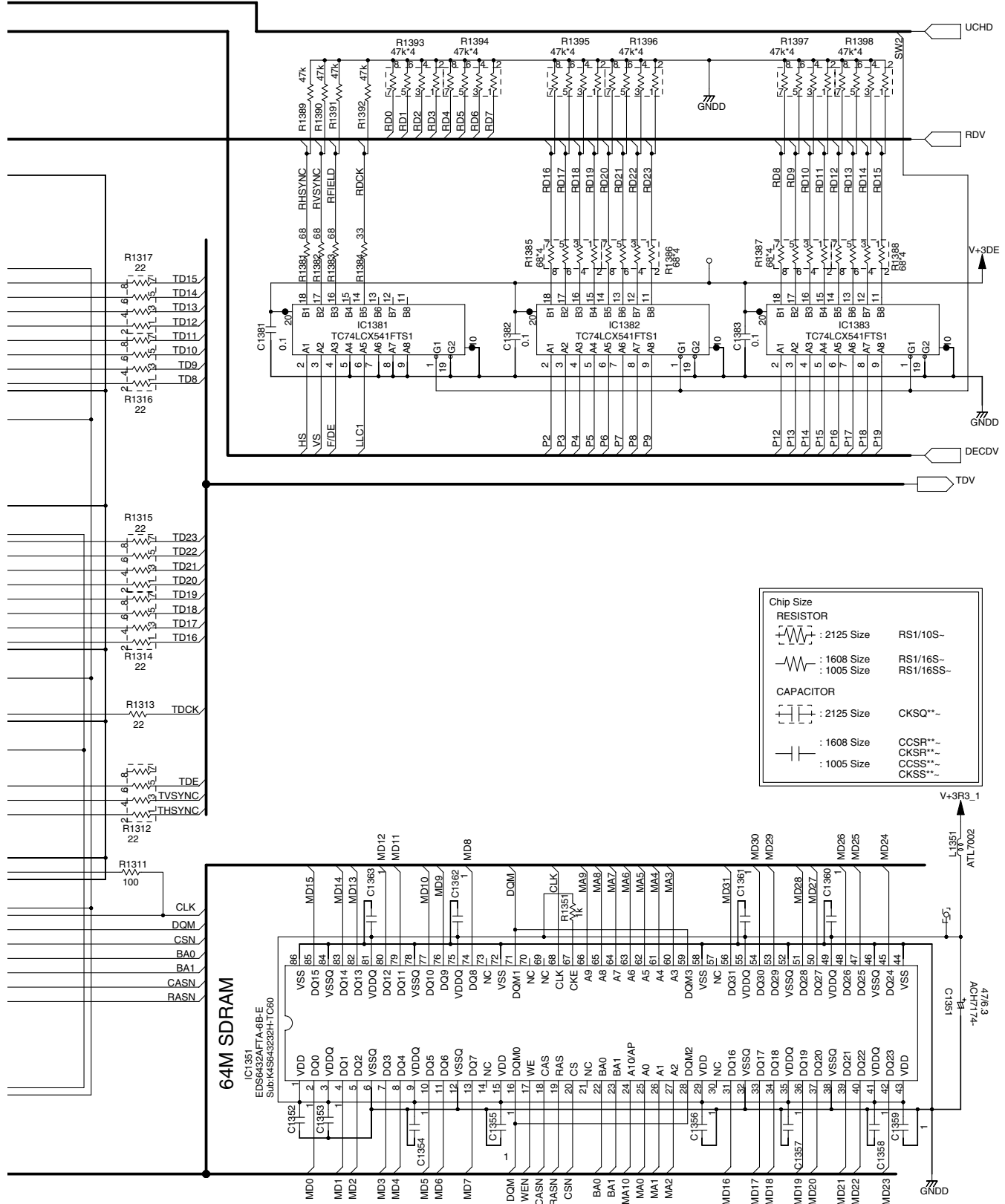
D

E

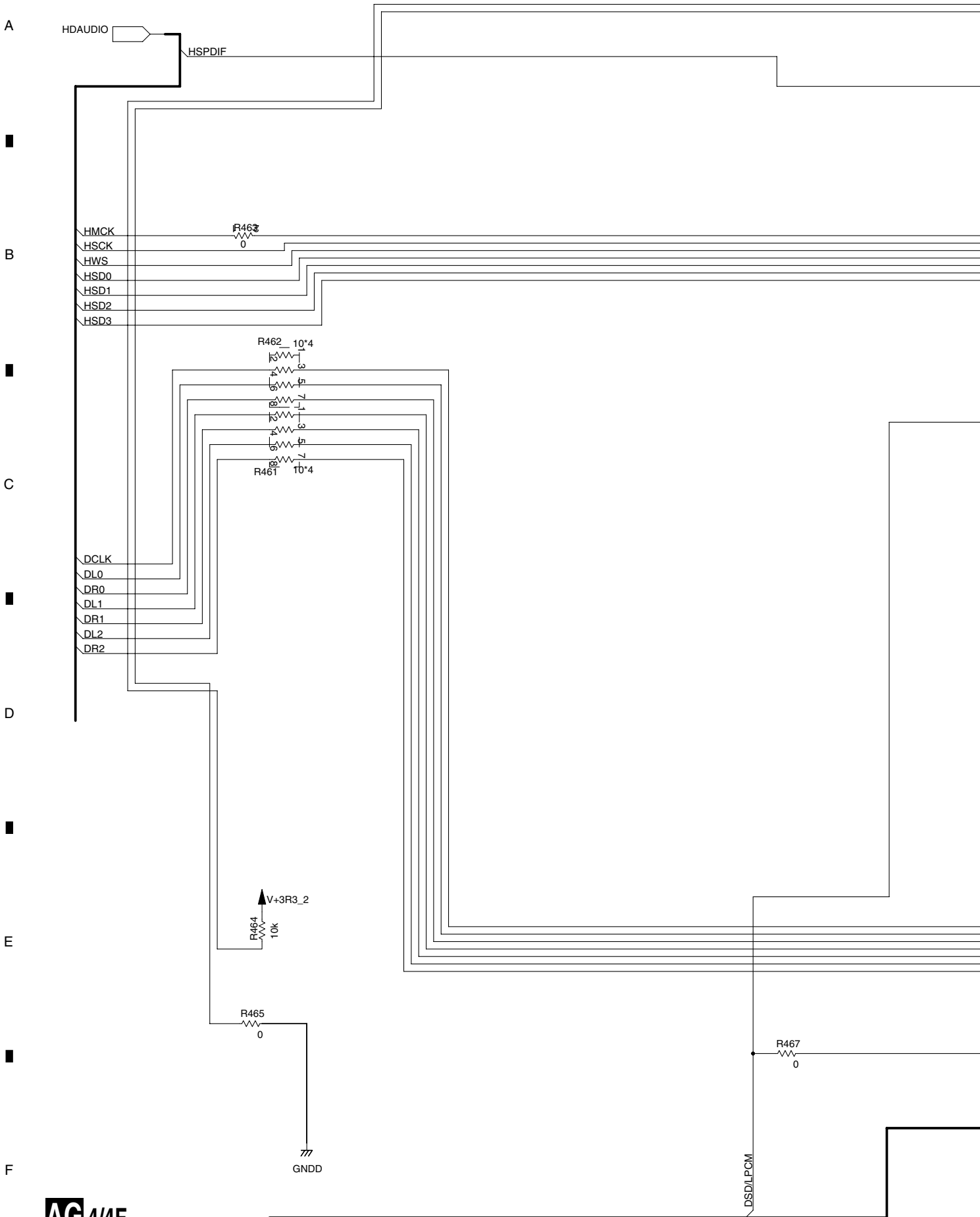
F



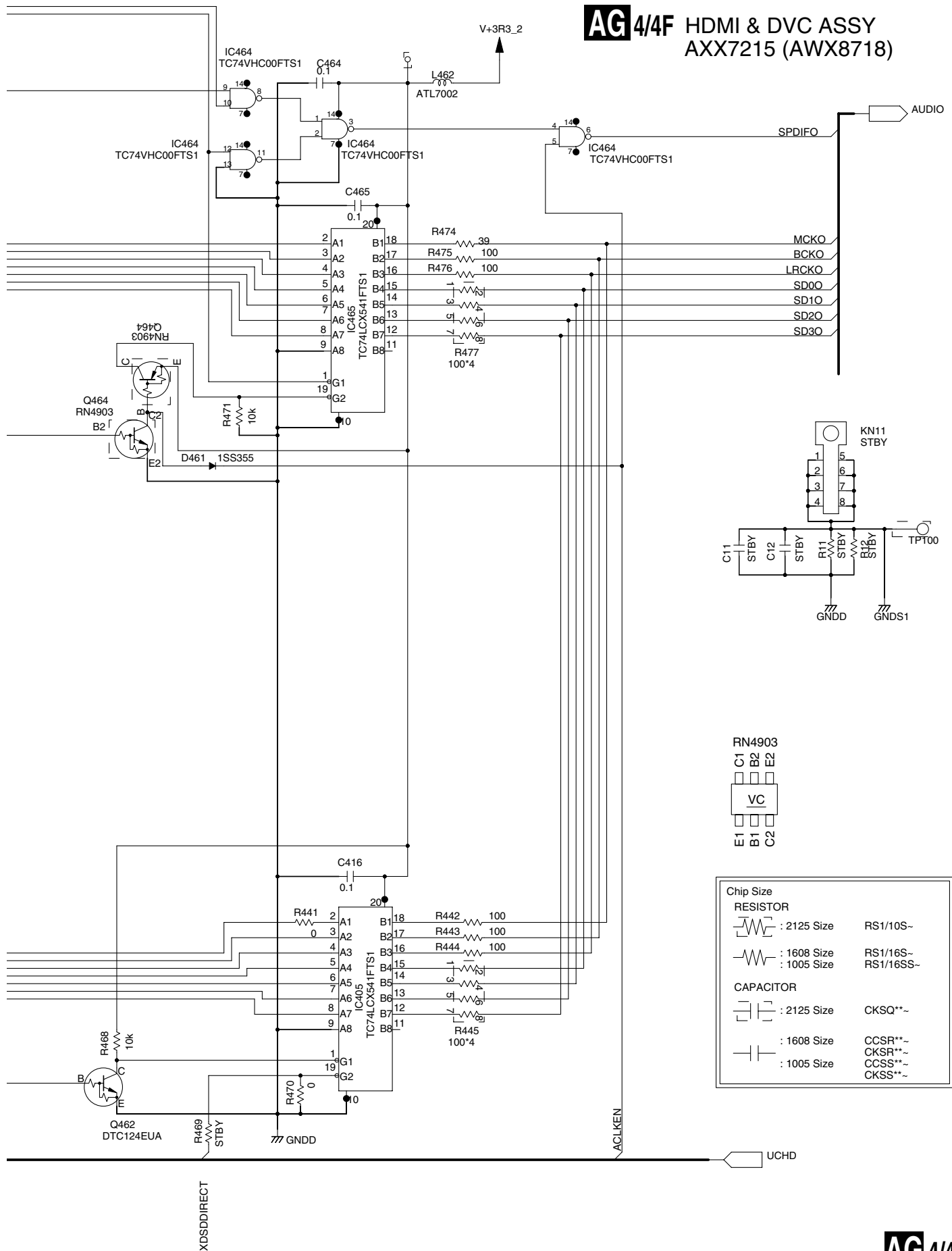
AG 3/4F HDMI & DVC ASSY AXX7215 (AWX8718)



3.13 HDMI & DVC ASSY (4/4) (VSX-AX2AS)



AG 4/4F HDMI & DVC ASSY
 AXX7215 (AWX8718)

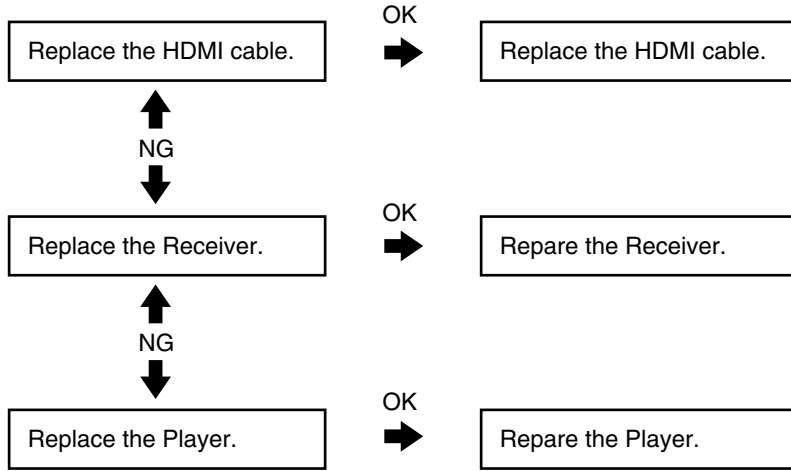


Chip Size	
RESISTOR	
: 2125 Size	RS1/10S~
: 1608 Size	RS1/16S~
: 1005 Size	RS1/16SS~
CAPACITOR	
: 2125 Size	CKSQ**~
: 1608 Size	CCSR**~
: 1005 Size	CKSR**~
	CCSS**~
	CKSS**~

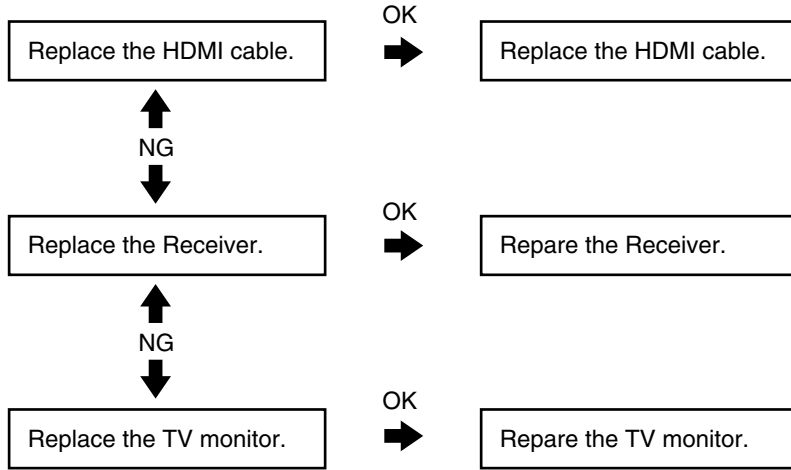
4. DIAGNOSIS METHOD OF HDMI ASSY (HDMI & 1394 and HDMI & DVC ASSY)

HDMI Simple Diagnosis

1. Causes for noncompletion of HDMI authentication between the source equipment and this unit (the HDMI indicator is unlit or flashes)

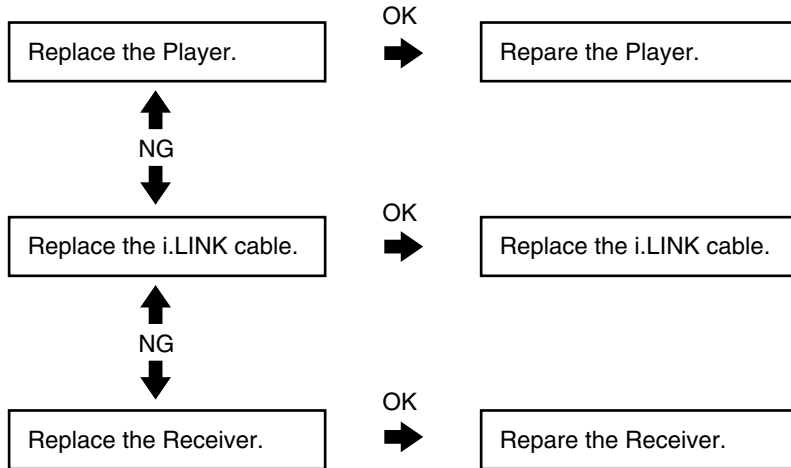


2. Causes for noncompletion of HDMI authentication between the monitor and this unit (no display or sound from the monitor)



1394 Simple Diagnosis (VSX-AX4ASi)

1. Causes that the i.LINK indicator is unlit or flashes



■ Preparations for diagnosis

Note : Even if the unit shown in the photos and illustrations in this manual may differ from your product, the procedures described here are common.

Jig cable (VSX-AX4ASi)

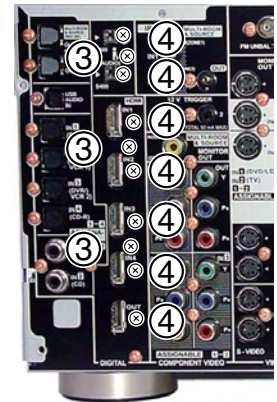
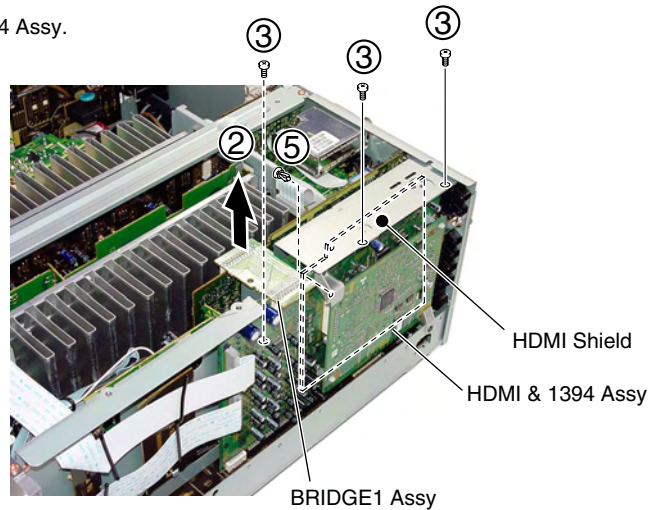
- 24P board to board extension jig cable (GGD1491)
- 30P board to board extension jig cable (GGD1492)

Jig cable (VSX-AX2AS)

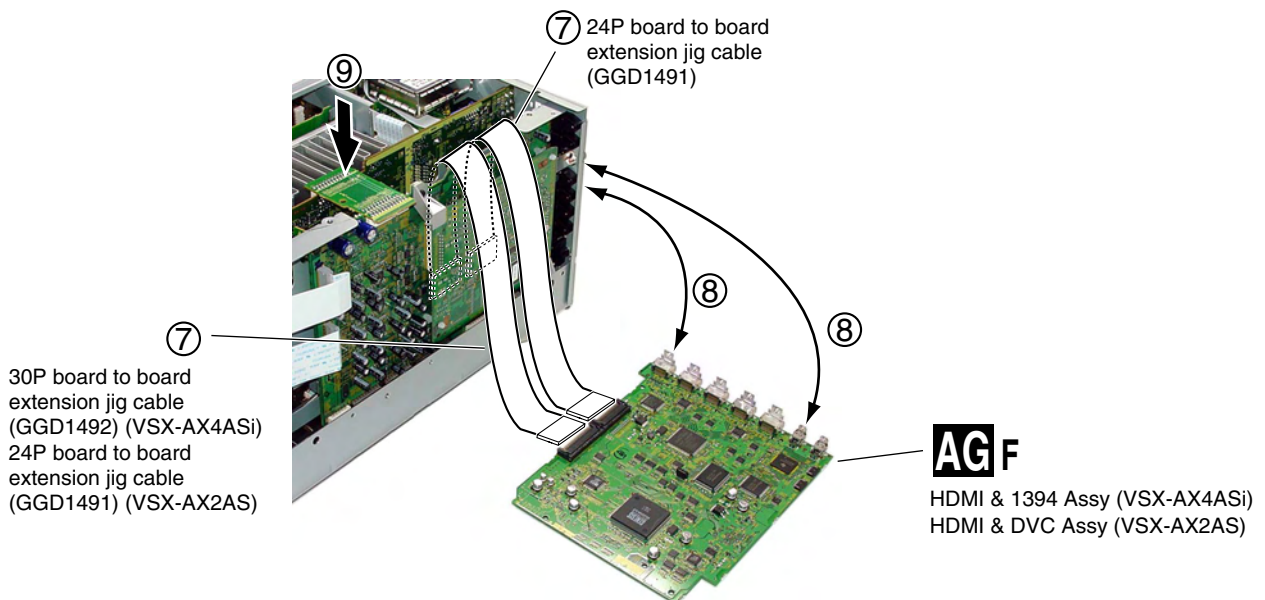
- 24P board to board extension jig cable (GGD1491) ×2

[Procedures]

- ① Remove the bonnet.
- ② Remove the BRIDGE1 Assy.
- ③ Remove the HDMI shield, first removing the six screws.
- ④ Remove the five screws that secure the HDMI connector to the rear panel.
Remove the two screws that secure the 1394 connector to the rear panel. (VSX-AX4ASi)
- ⑤ Remove the rivet that secures the HDMI & 1394 Assy.
- ⑥ Remove the HDMI & 1394 Assy.



- ⑦ Connect the two extension jig cables.
- ⑧ Connect a cable between the HDMI connector and the chassis.
- ⑨ Connect the BRIDGE1 Assy.



HDMI Troubleshooting

The parts marked like **V+5** in the following chart are located in "HDMI & 1394 Assy Check Points".

Common section

Step 1: Connections

CN1001, CN1002 **A1**

A2

Is soldering of the connectors OK? No Solder the connectors correctly.

Step 2-1: Power supply, CLK

CN1001(Pin 4) 5 V INPUT **V+5IN**

Is the voltage 5 V? No Check the INTERFACE Assy or DC/DC Assy.

R1028 1.8 V **V+1R8**

Is the voltage 1.8 V? No Check the soldering of IC1004 and the peripheries of IC1004. If soldering has not been done correctly, replace IC1004.

IC1001(OUT) 2.5 V **V+2R5**

Is the voltage 2.5 V? No Check the soldering of IC1001. If soldering has not been done correctly, replace IC1001.

IC1002(OUT) 3.3 V **V+3R3_1**

Is the voltage 3.3 V? No Check the soldering of IC1002. If soldering has not been done correctly, replace IC1002.

IC1003(OUT) 3.3 V **V+3R3_2**

Is the voltage 3.3 V? No Check the soldering of IC1003. If soldering has not been done correctly, replace IC1003.

CN1001(Pin 1) UNReg INPUT **V+5UN**

Is the voltage 12 V? No Check the INTERFACE Assy or DC/DC Assy.

IC1051(Pin 3) 5 V **V+5HD**

Is the voltage 5 V? No Check the soldering of IC1051. If soldering has not been done correctly, replace IC1051.

X501 X'TAL (microcomputer) **B1**

Is oscillation of 15.7 MHz output? No Check the soldering of X501 or IC501. If soldering has not been done correctly, replace X501 or IC501.

Step 2-2: Reset

CN1001(Pin 23) HDRST **B2**

Is the voltage "H" (3.3 V)? No Check the parts and patterns in the path.

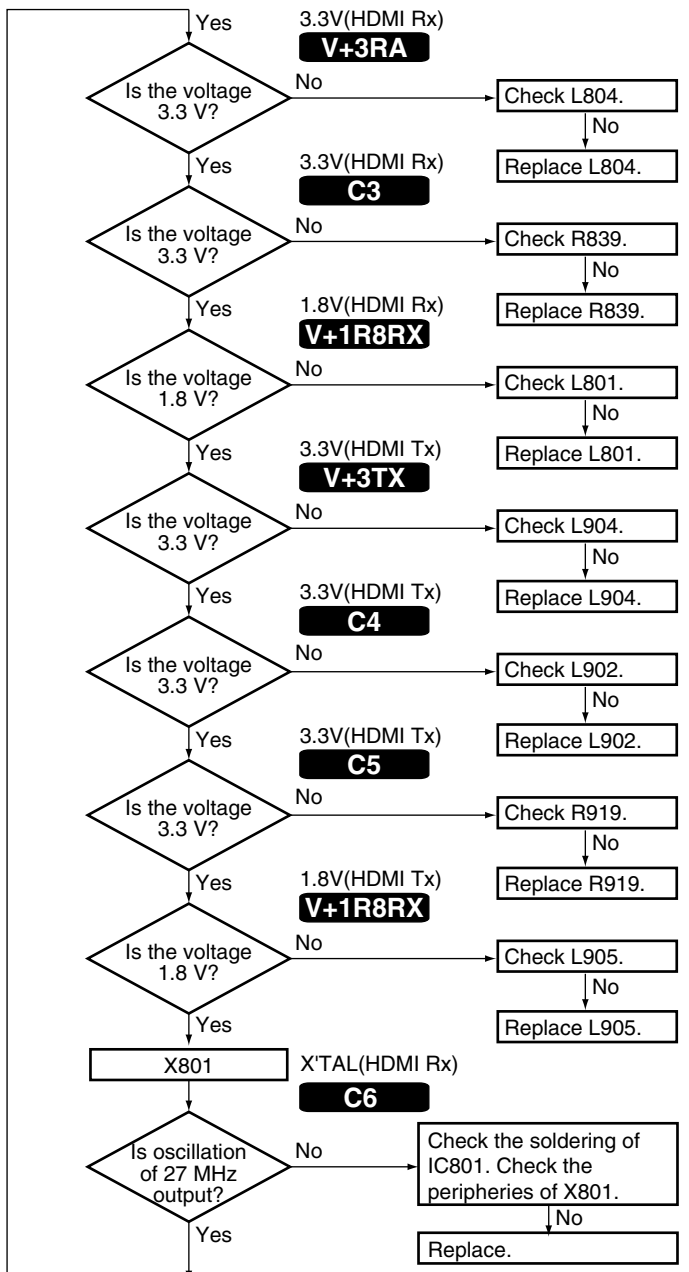
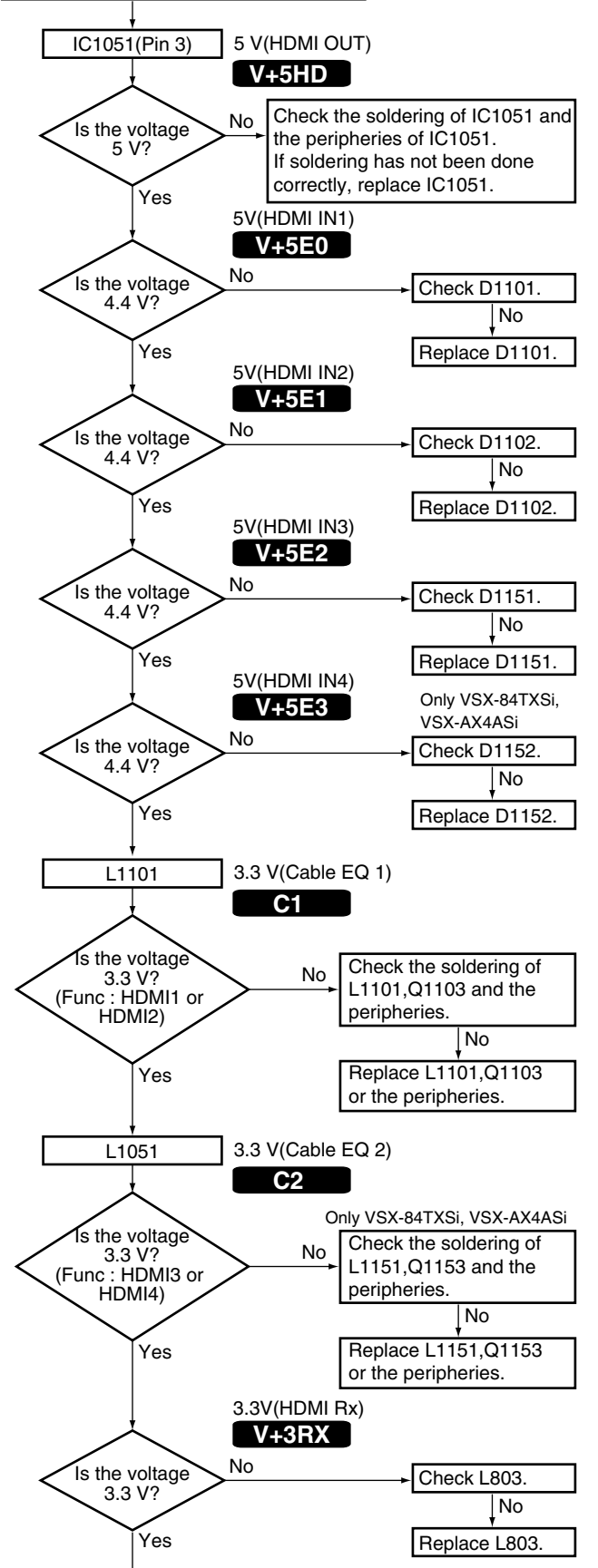
Check the INTERFACE Assy or DIGITAL MOTHER Assy.

HDMI (HDMI input) diagnosis : To Step 3-1 Scaler diagnosis : To Step 5-1

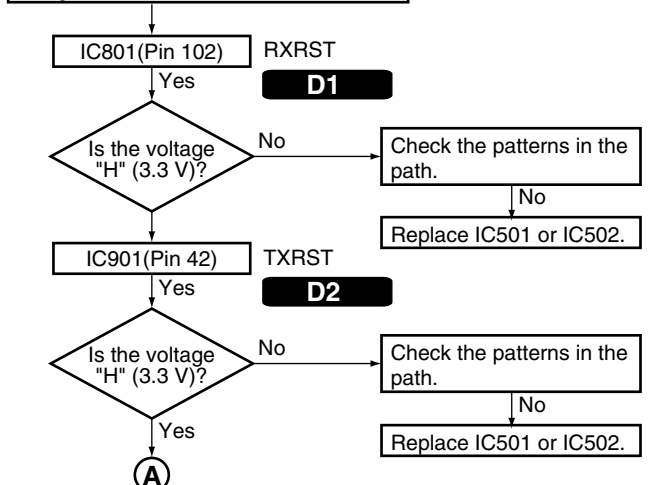
Video converter (Analog input) diagnosis : To Step 4-1 Scaler diagnosis : To Step 5-1

HDMI section

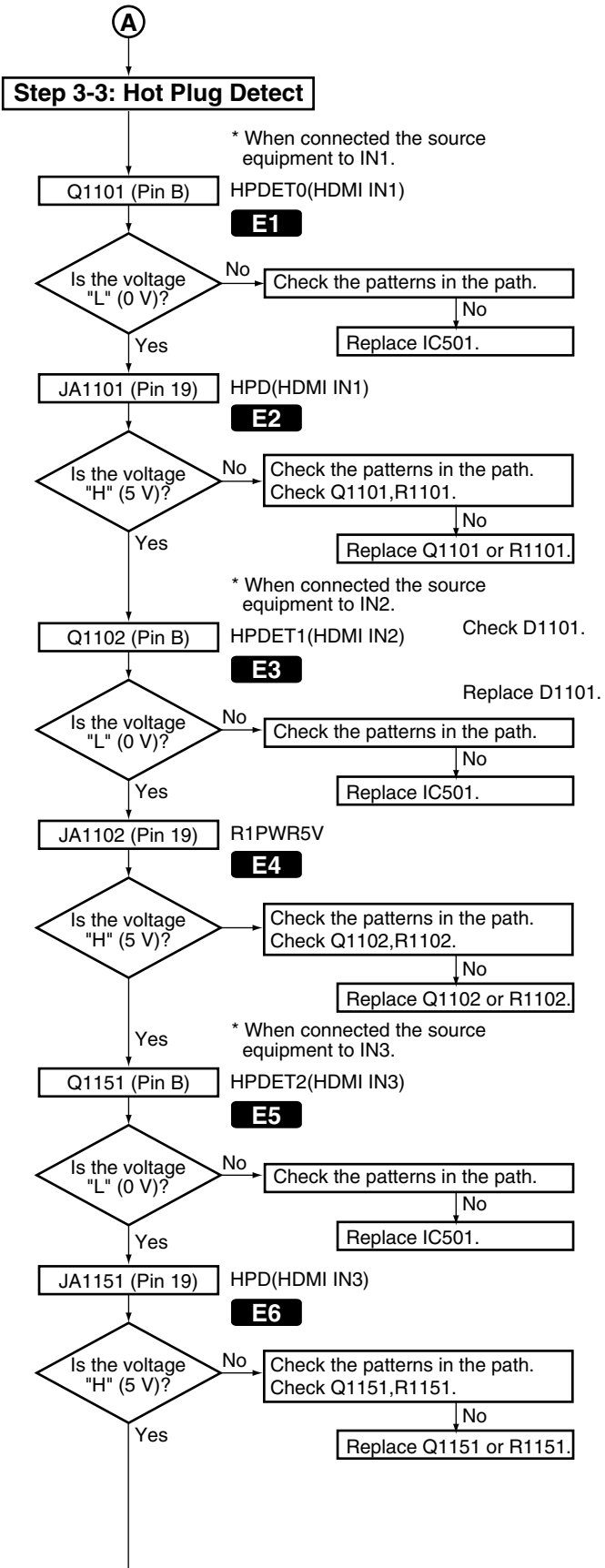
Step 3-1: Power supply, CLK



Step 3-2 : Reset



A



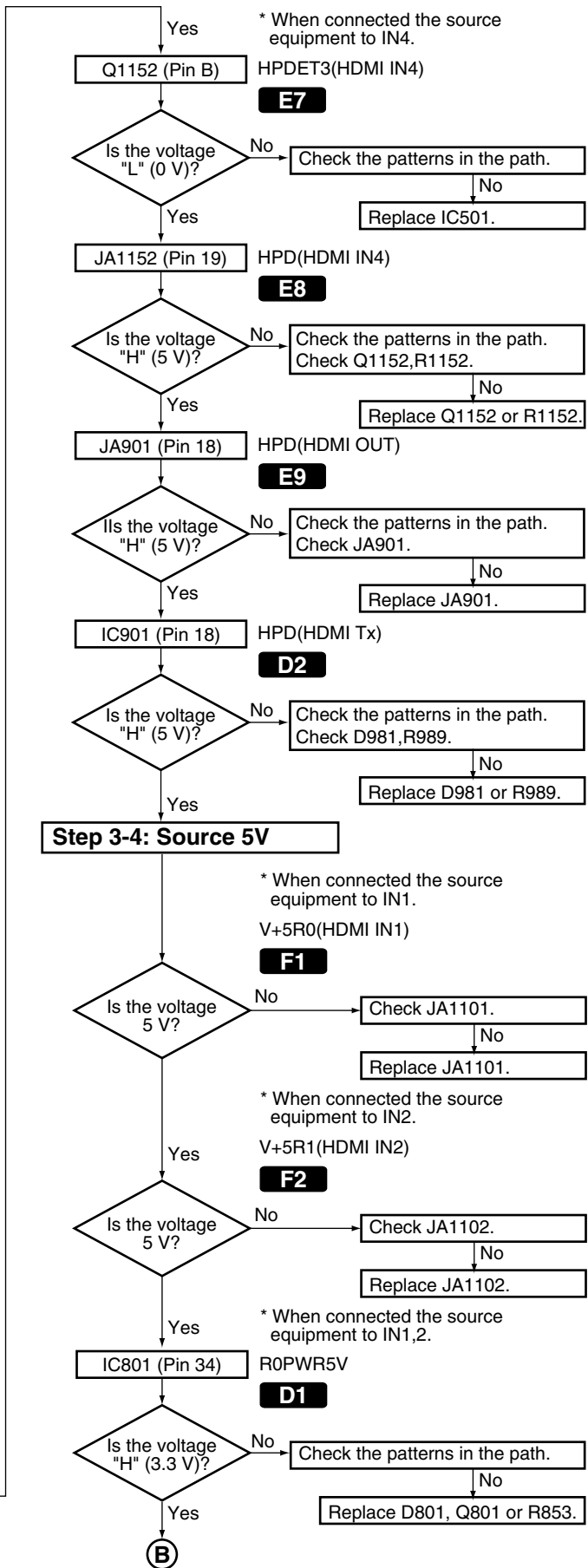
B

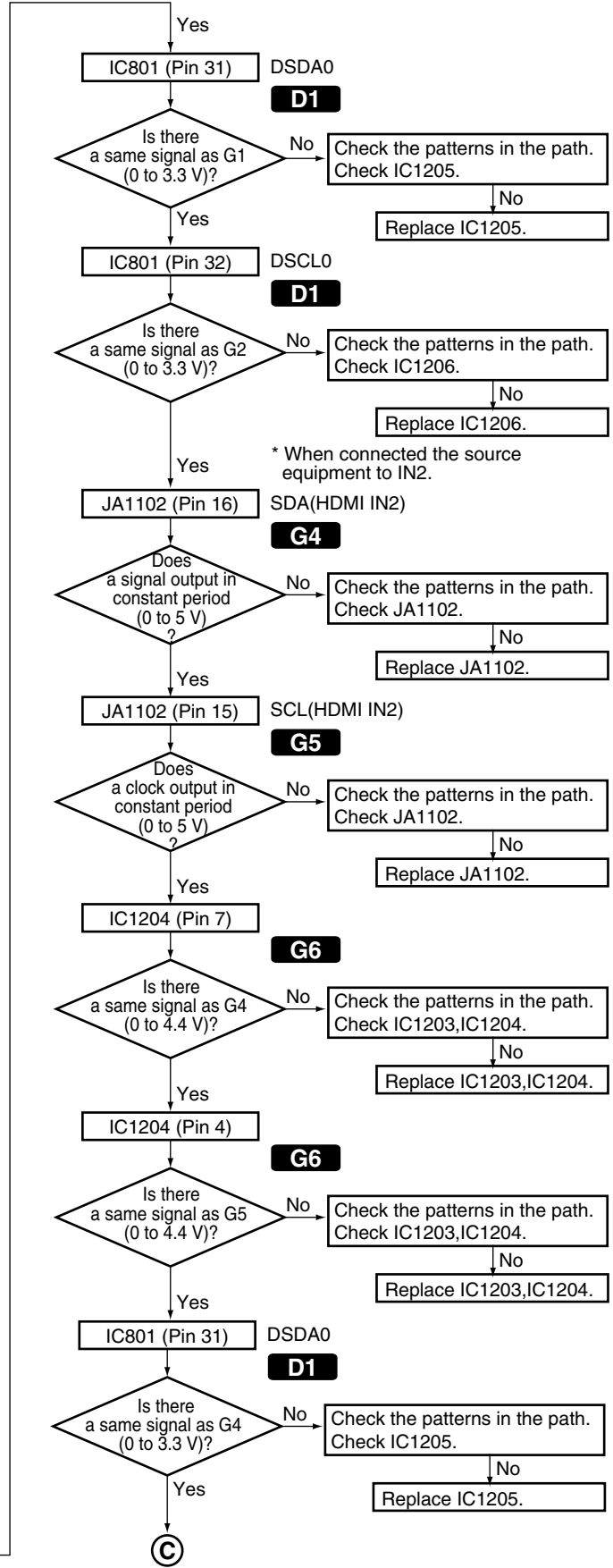
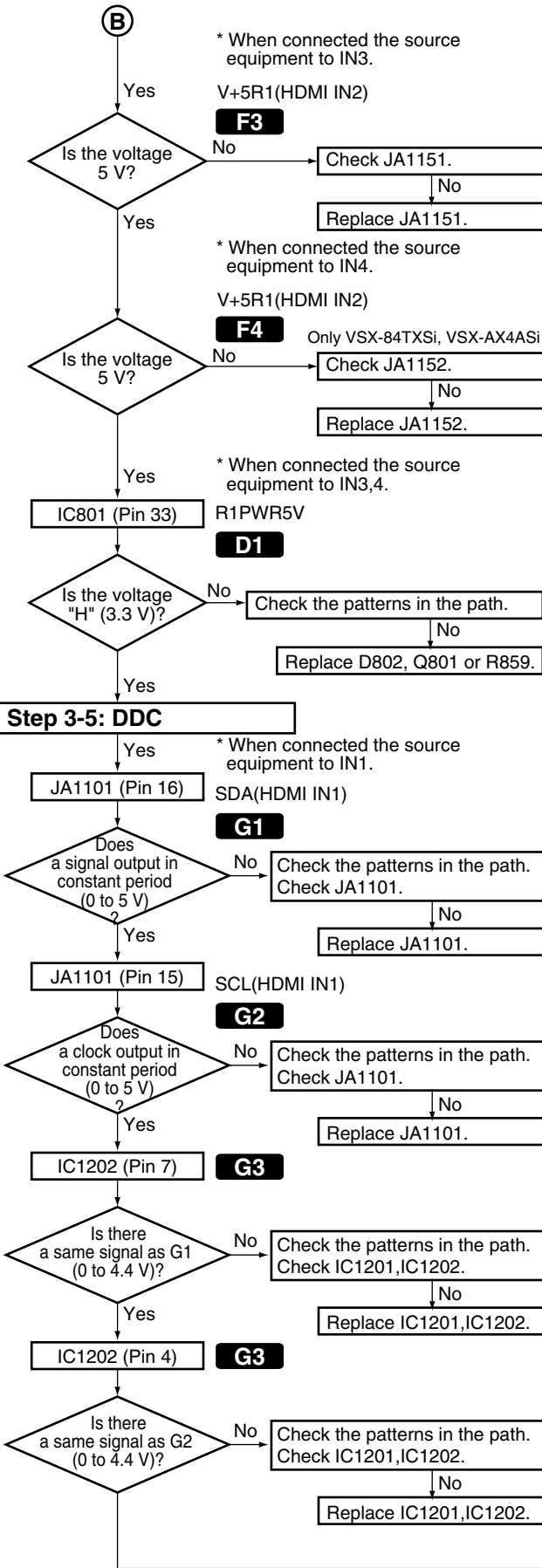
C

D

E

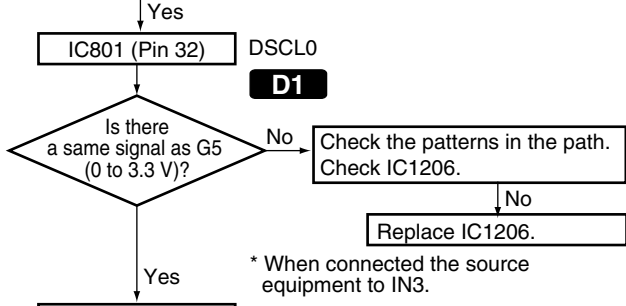
F



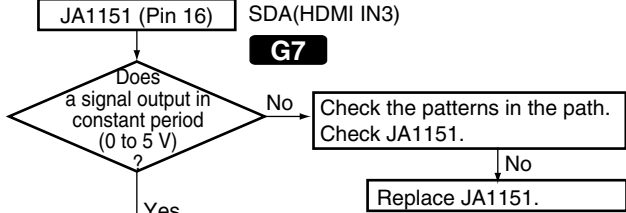


A

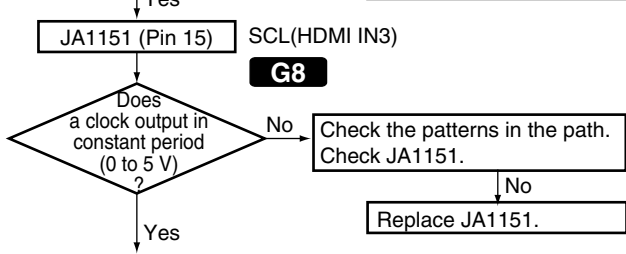
Ⓒ



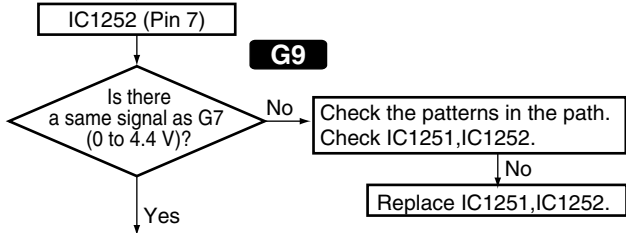
B



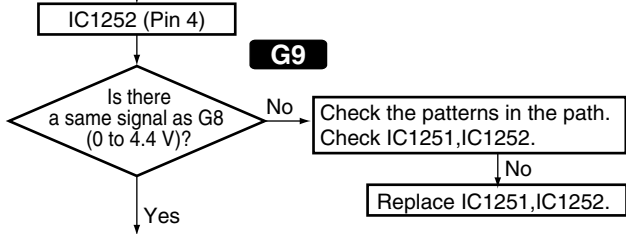
C



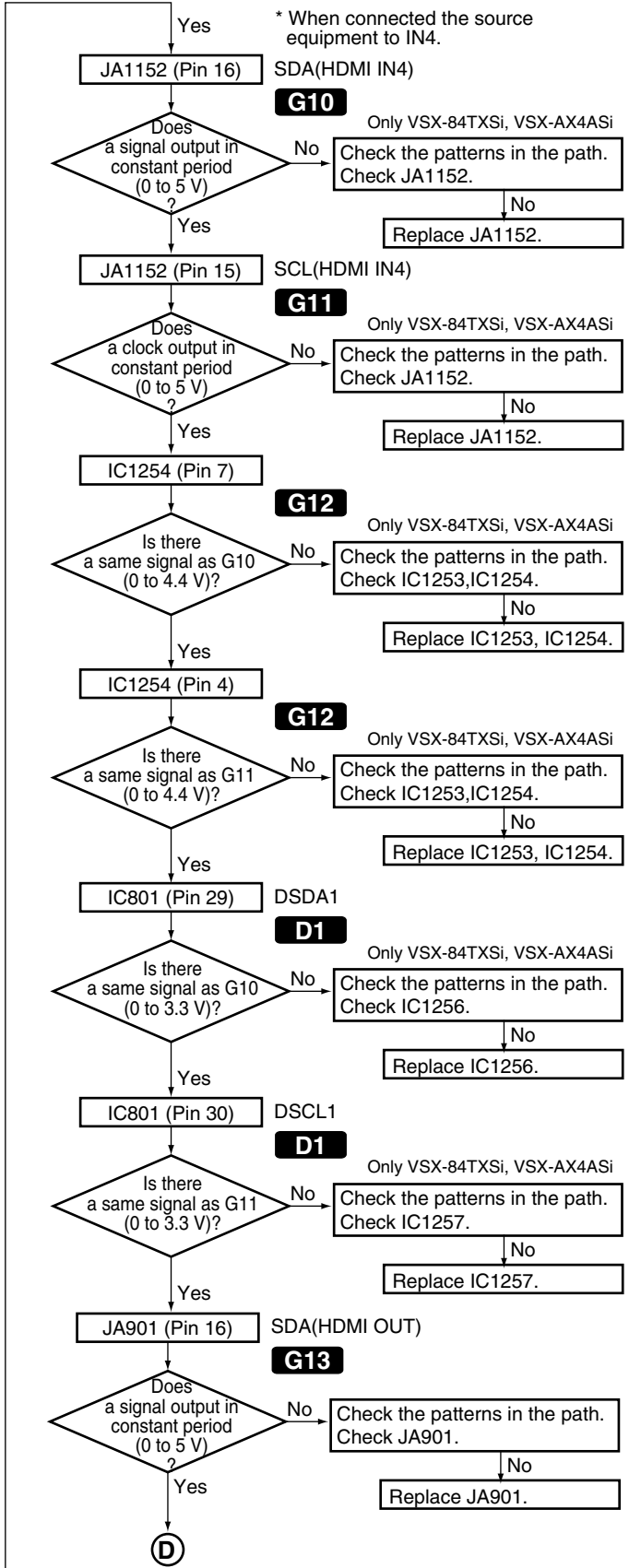
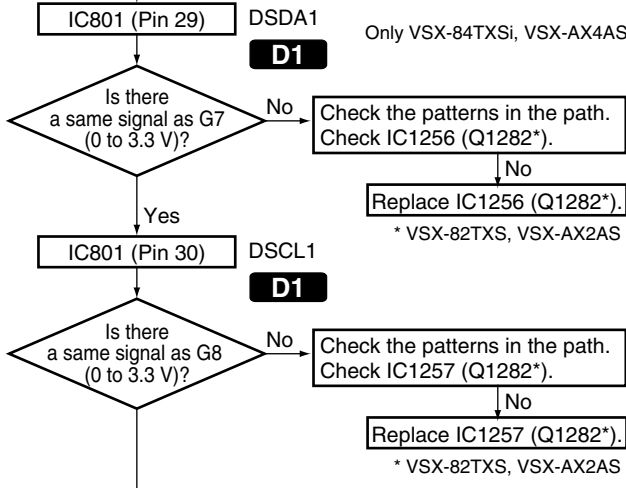
D



E



F



* When connected the source equipment to IN4.

Only VSX-84TXSi, VSX-AX4ASi

Only VSX-84TXSi, VSX-AX4ASi

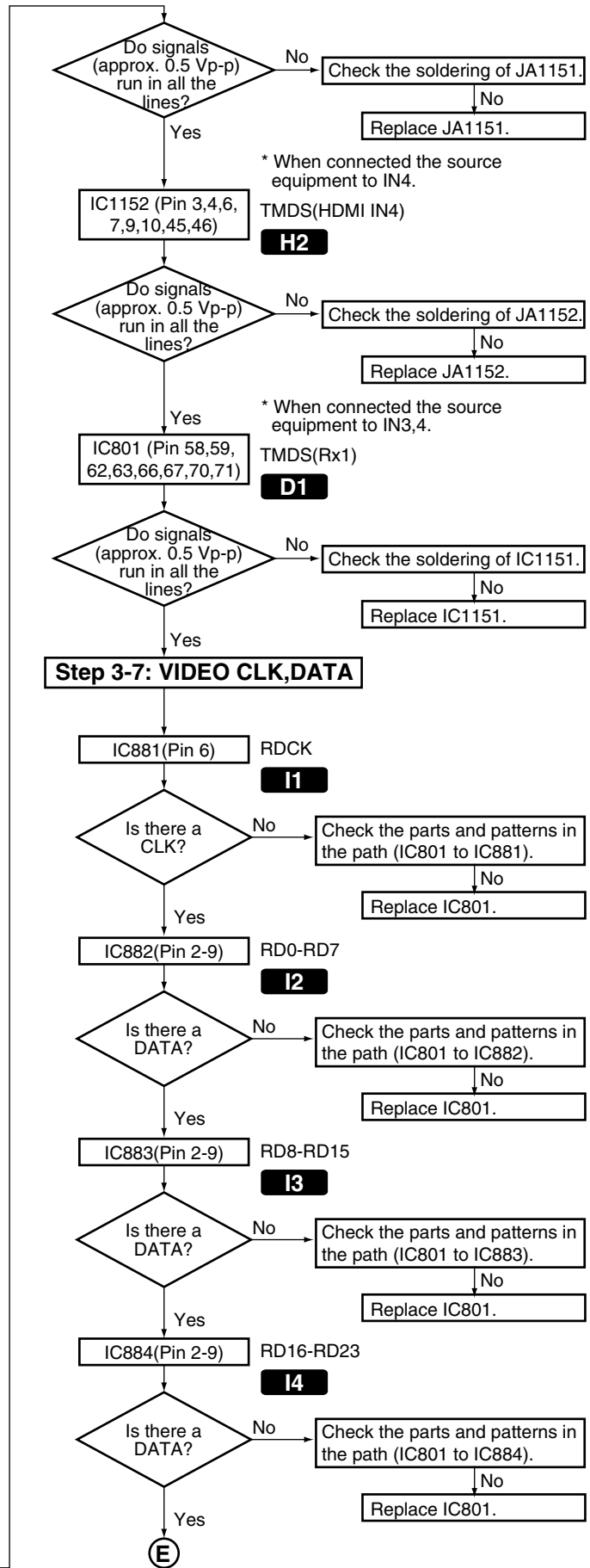
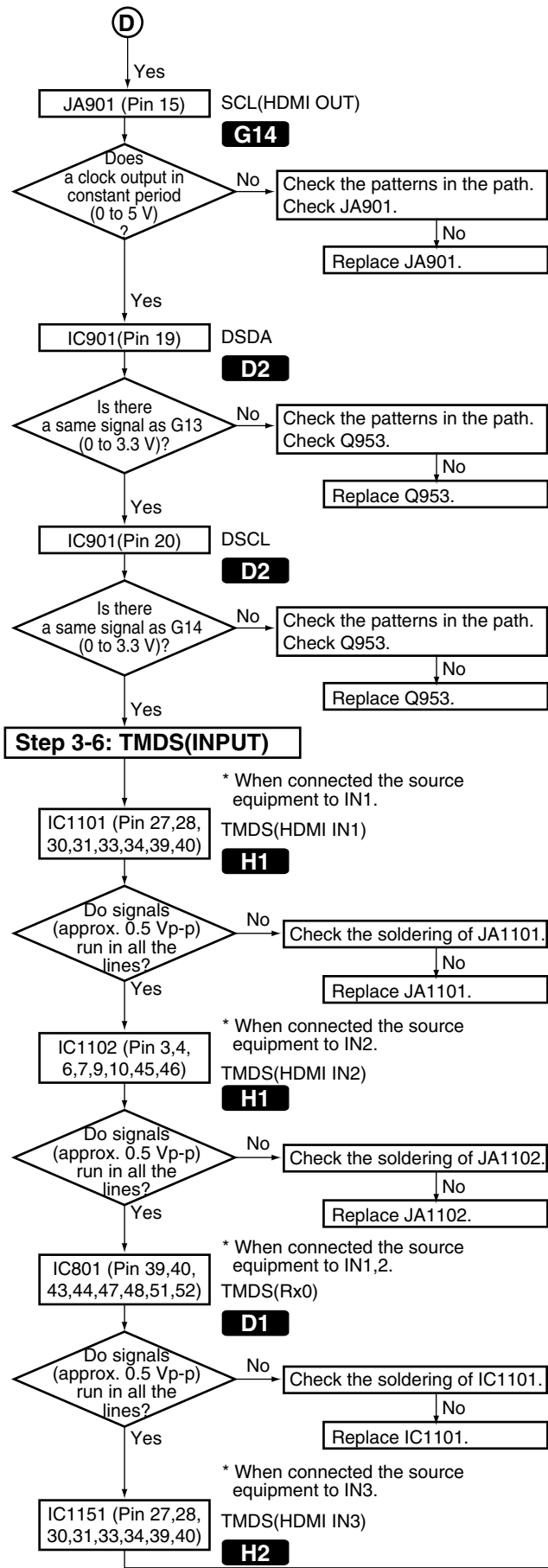
Only VSX-84TXSi, VSX-AX4ASi

Only VSX-84TXSi, VSX-AX4ASi

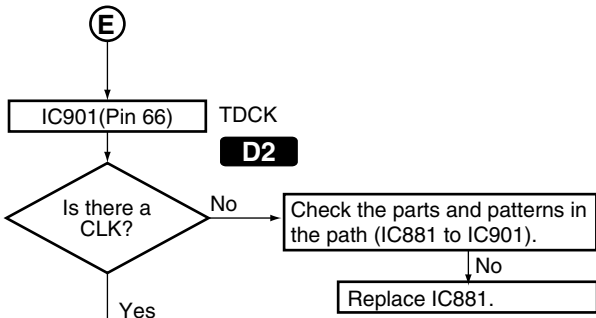
Only VSX-84TXSi, VSX-AX4ASi

Only VSX-84TXSi, VSX-AX4ASi

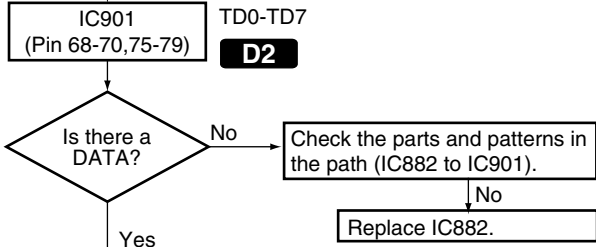
* VSX-82TXS, VSX-AX2AS



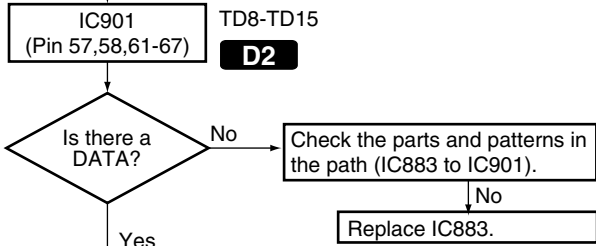
A



B

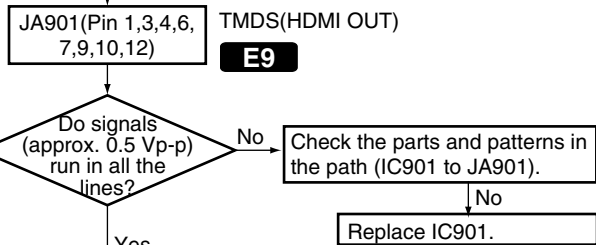


C



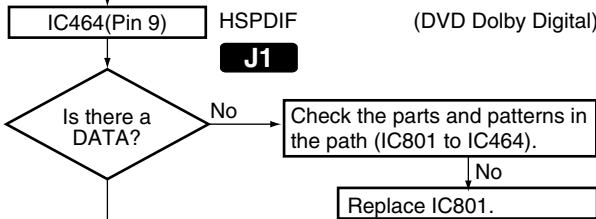
D

Step 3-8: TMDS(OUTPUT)

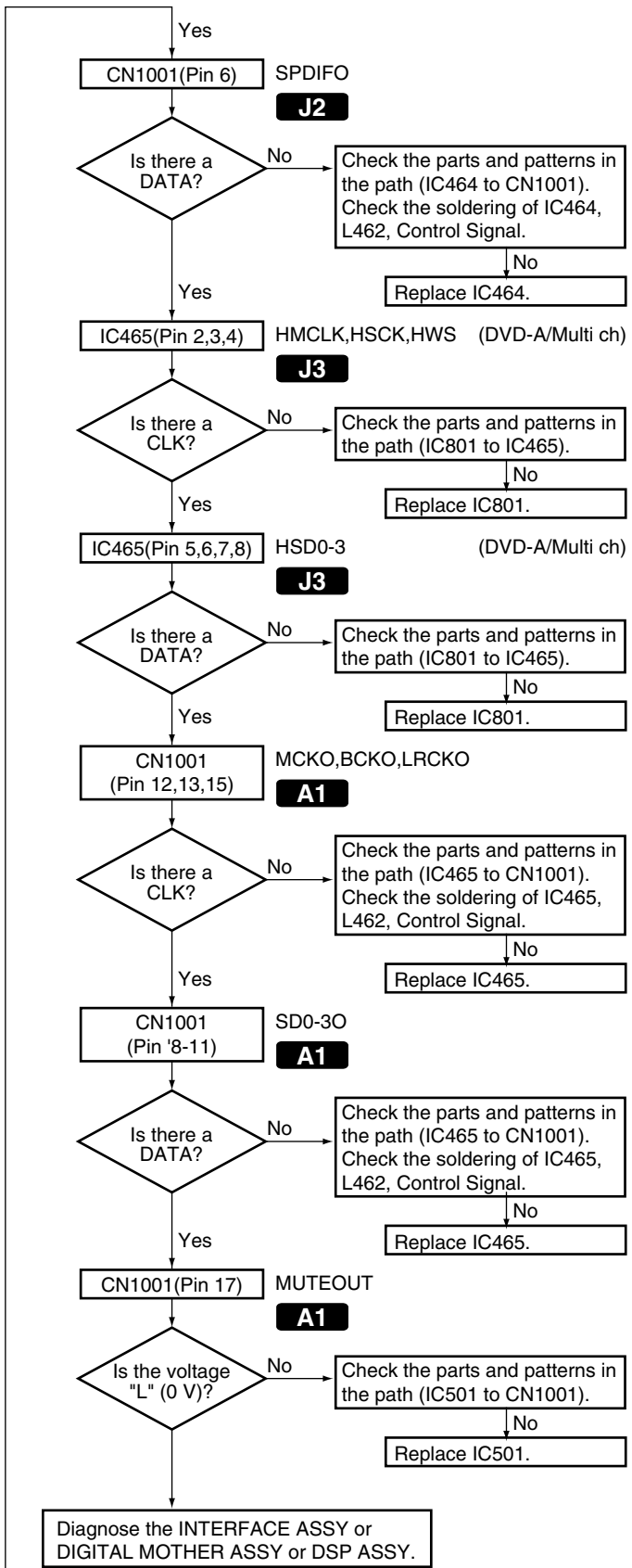


E

Step 3-9: AUDIO CLK,DATA

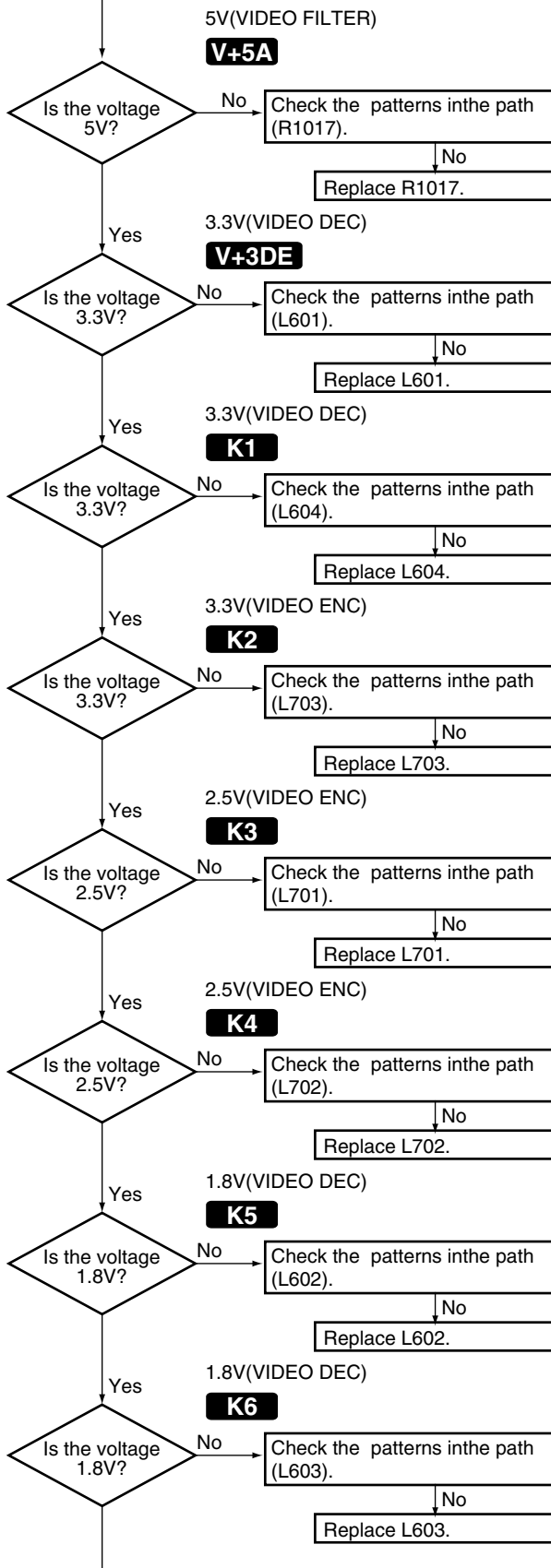


F

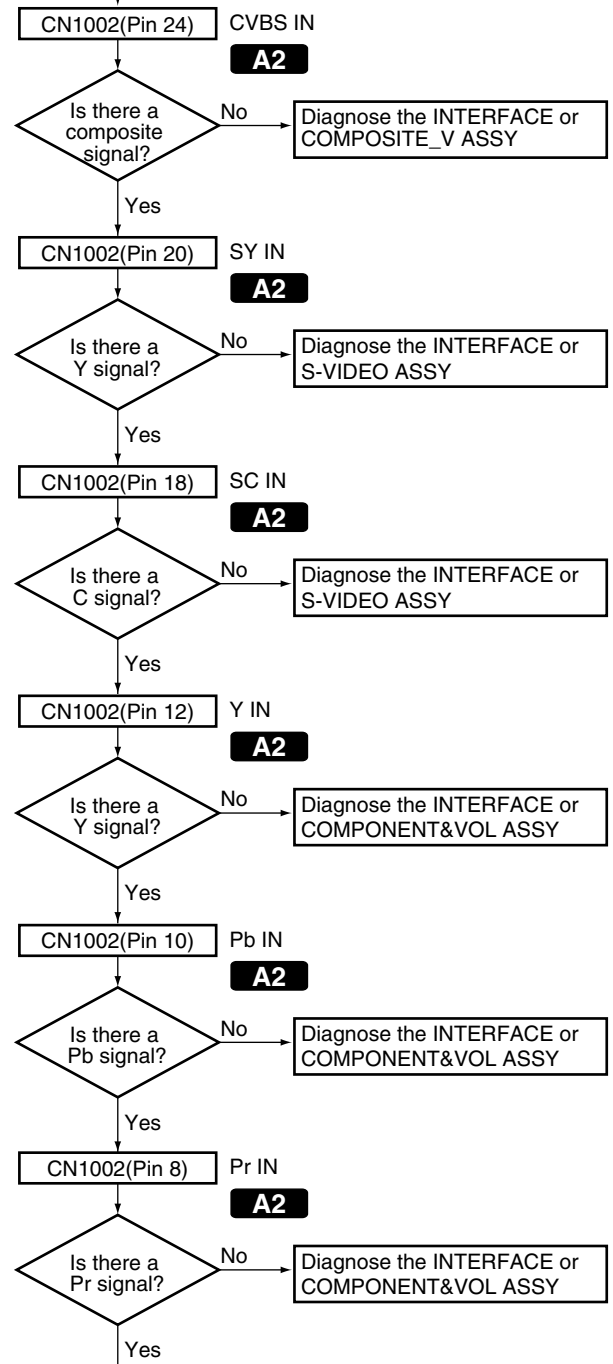


Video converter section

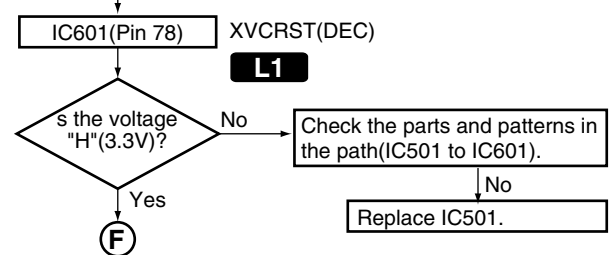
Step 4-1: Power supply



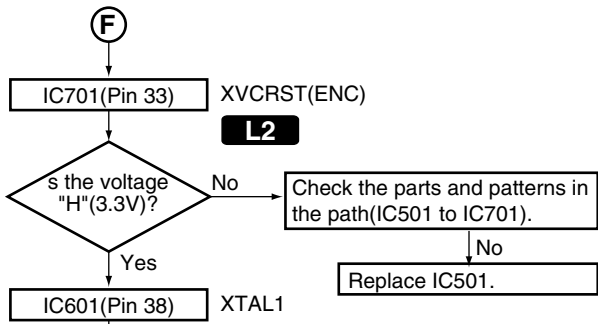
Step 4-2: VIDEO INPUT



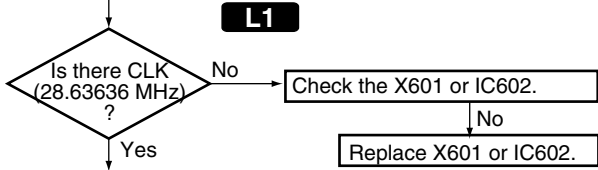
Step 4-3: Reset



A

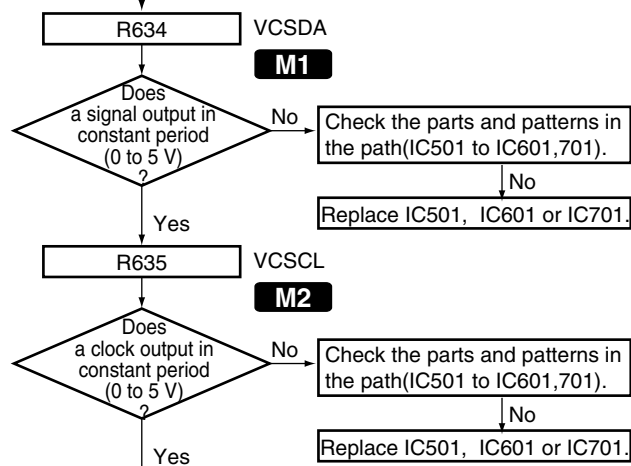


B



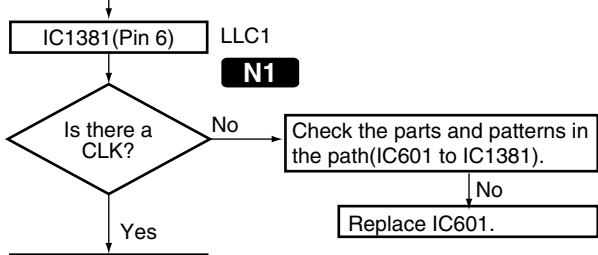
Step 4-4: I2C

C

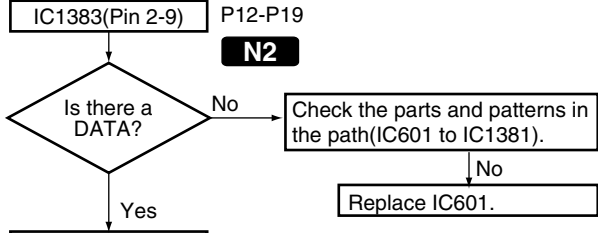


Step 4-5: VIDEO CLK,DATA

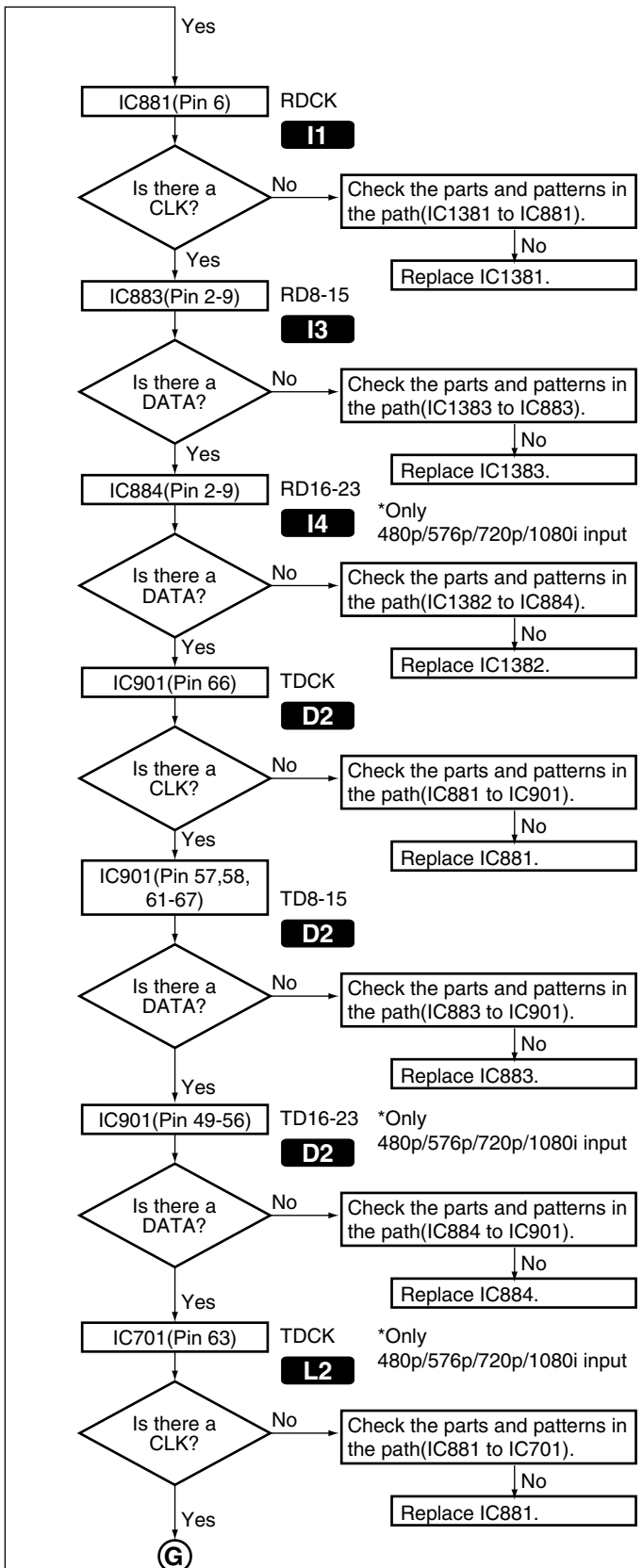
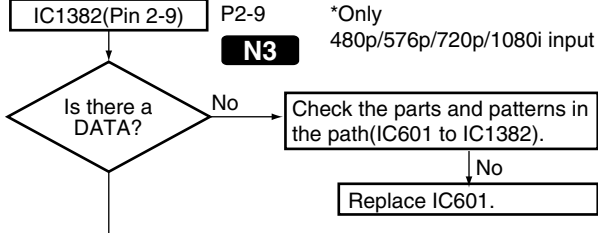
D

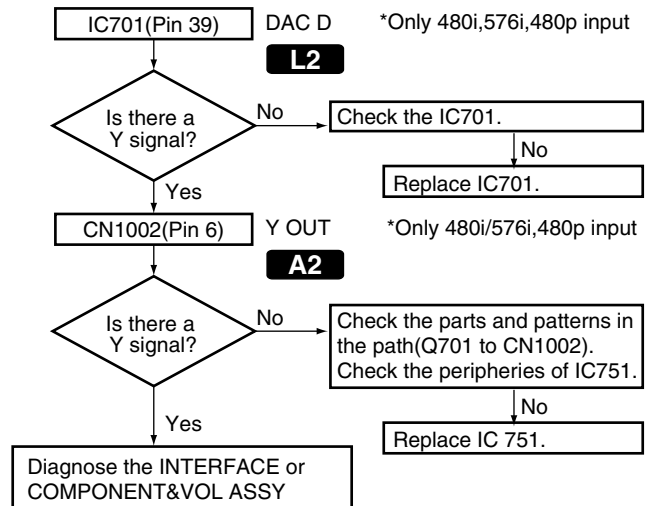
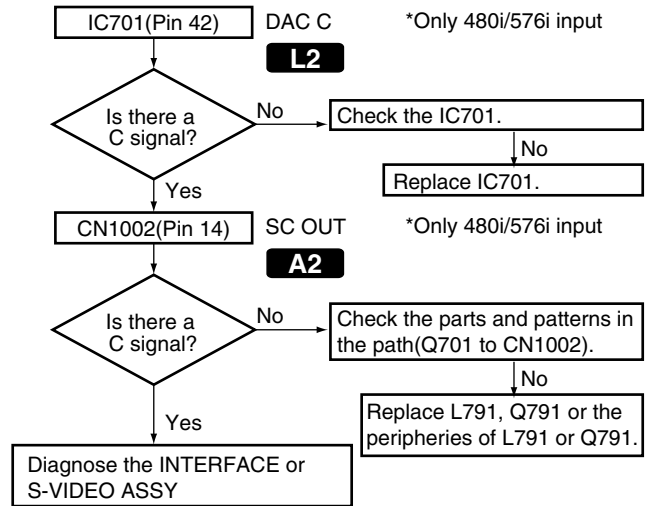
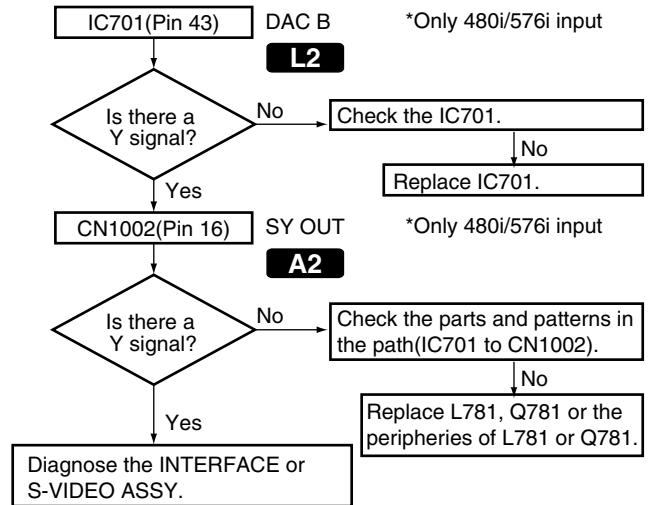
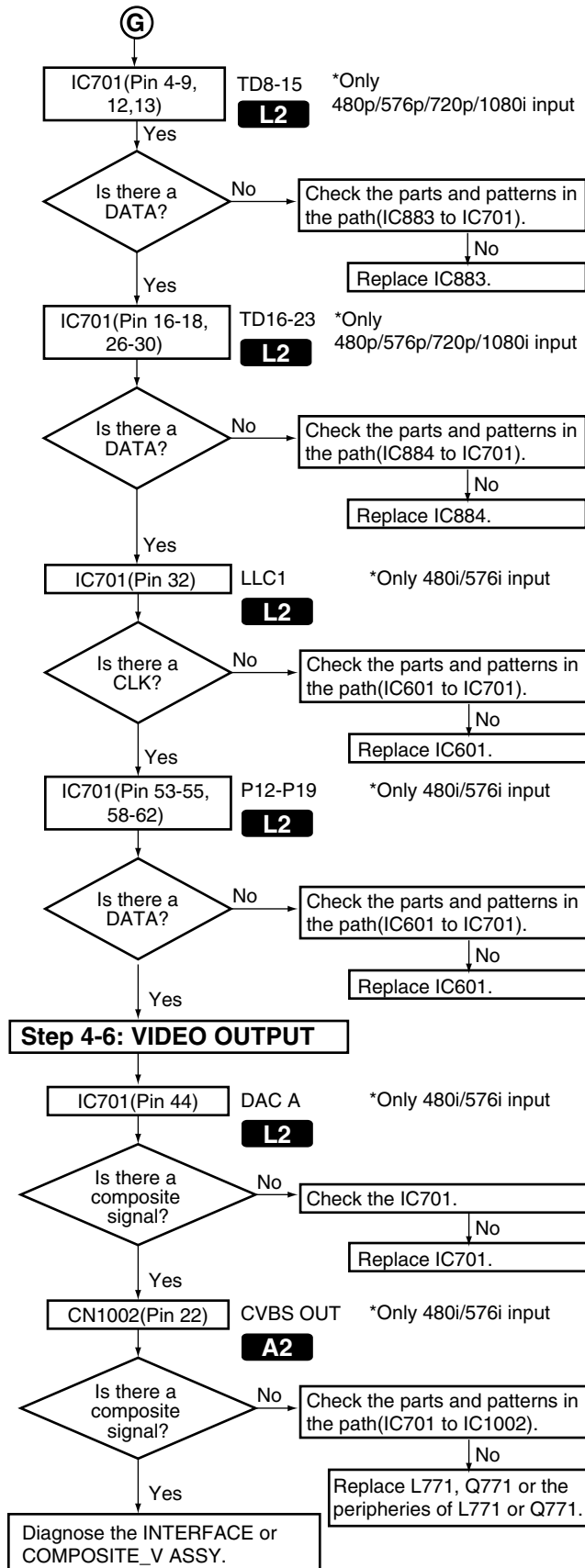


E

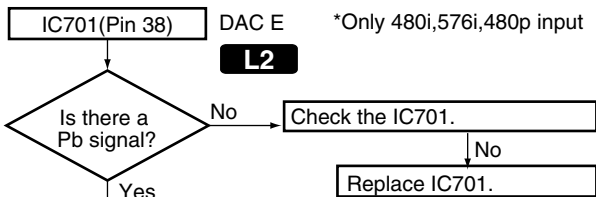


F

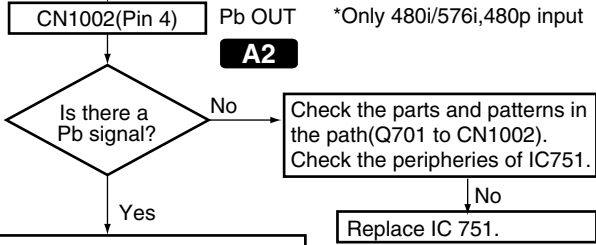




A

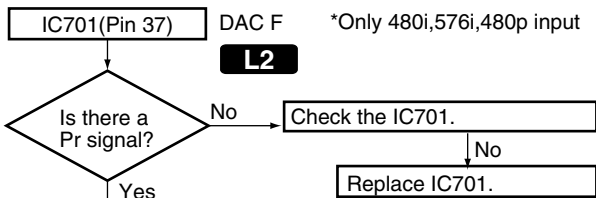


B

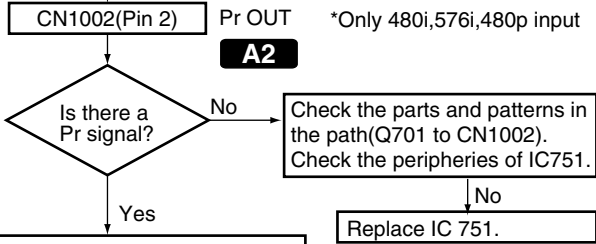


B

C



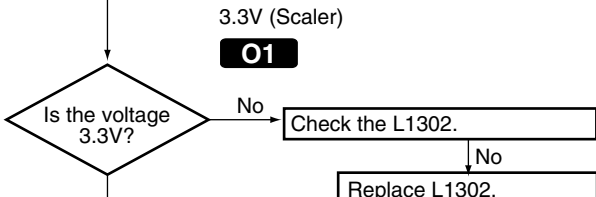
C



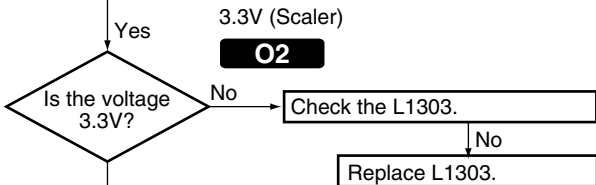
D

Scaler section

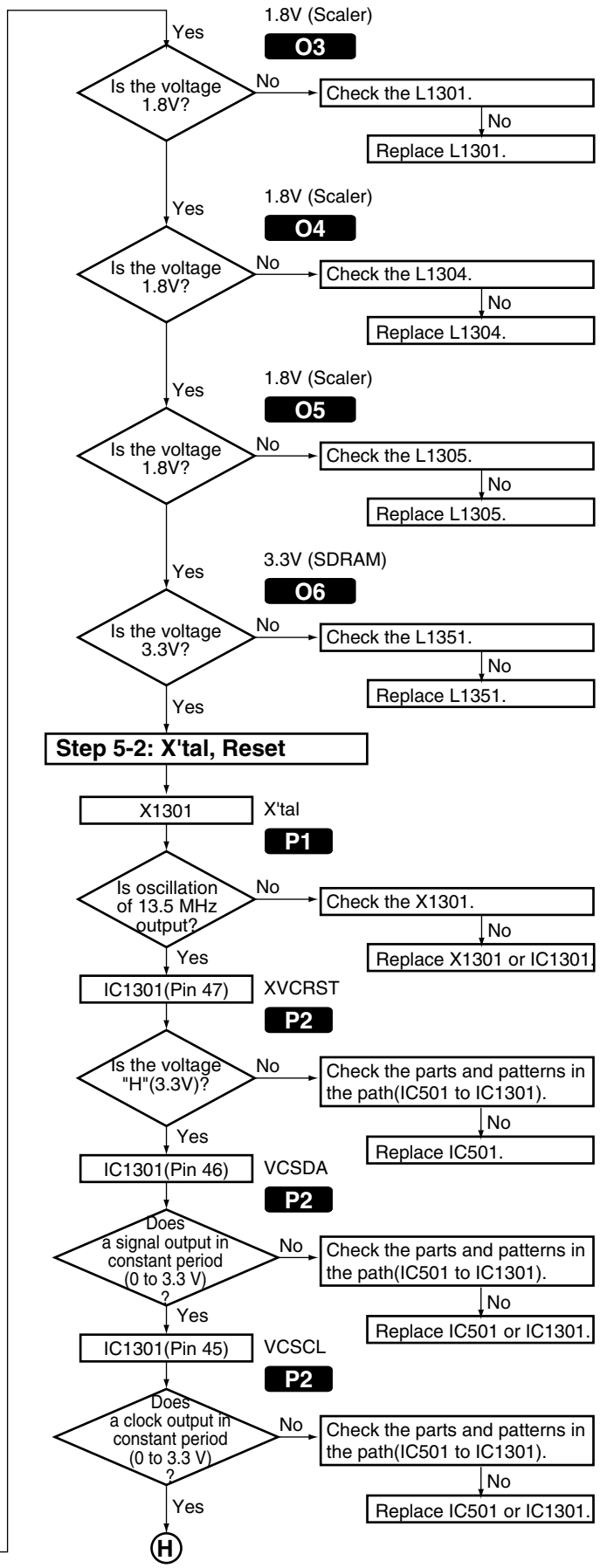
Step 5-1: Power supply

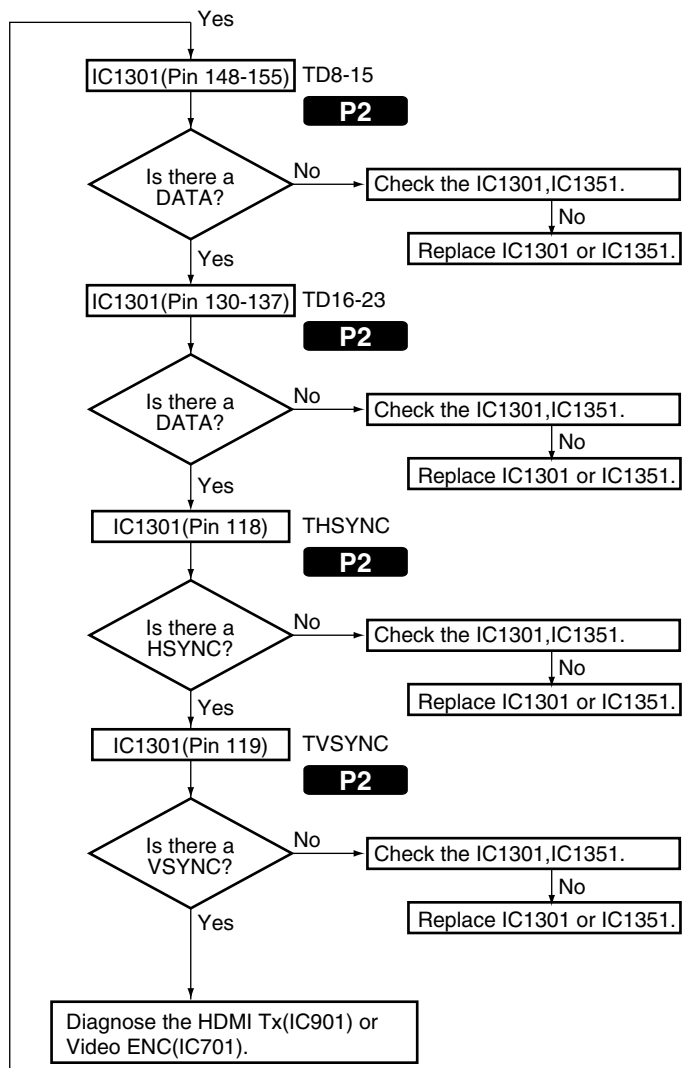
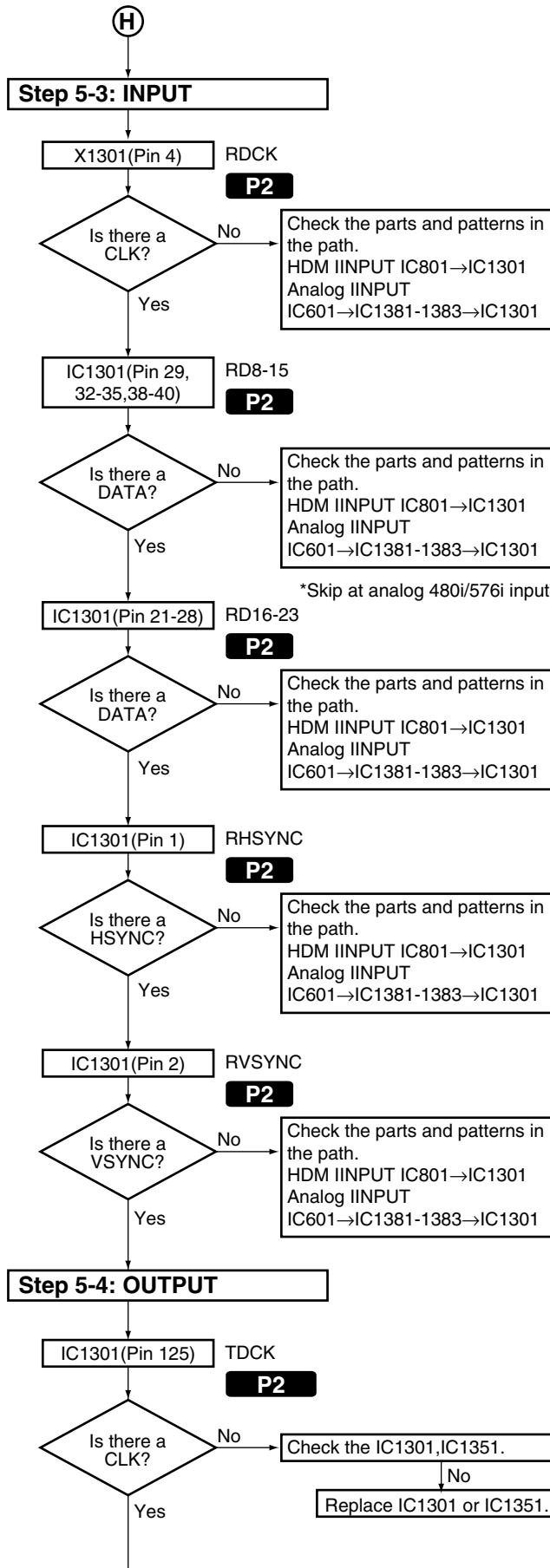


E



F

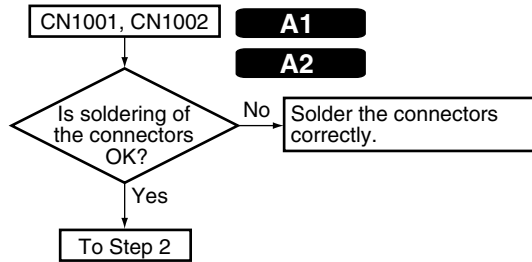




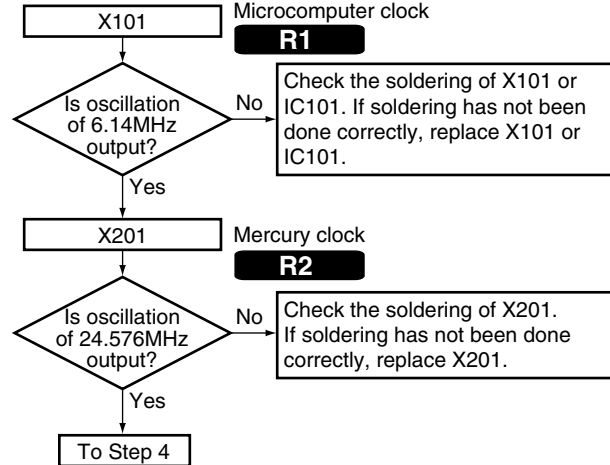
1394 Troubleshooting

- It is assumed that there is no loose connection or damage in the LCRs.
- There must not be an abnormality in pattern.
- The parts marked like **V+5** in the following chart are located in "HDMI & 1394 Assy Check Points".

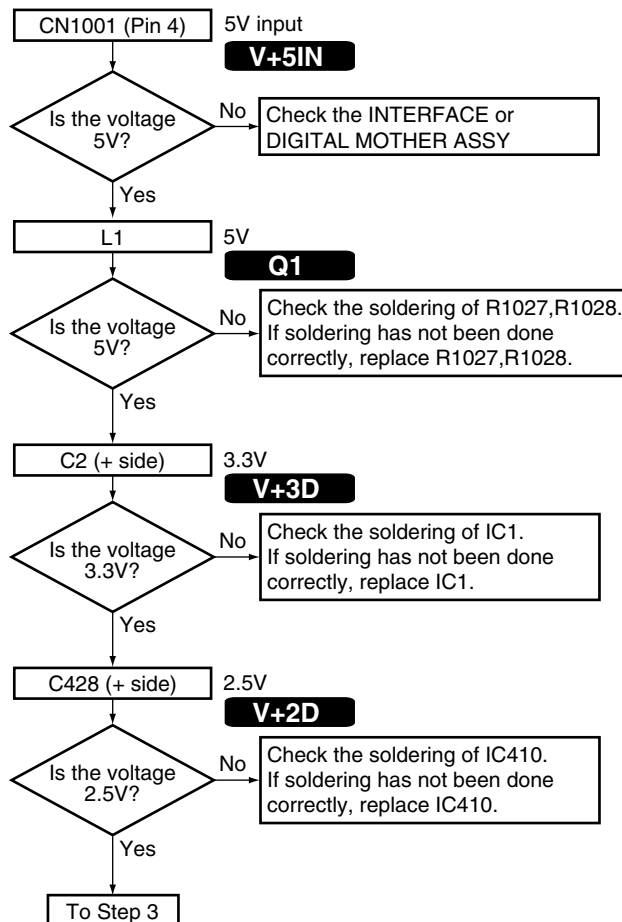
Step 1: Connections



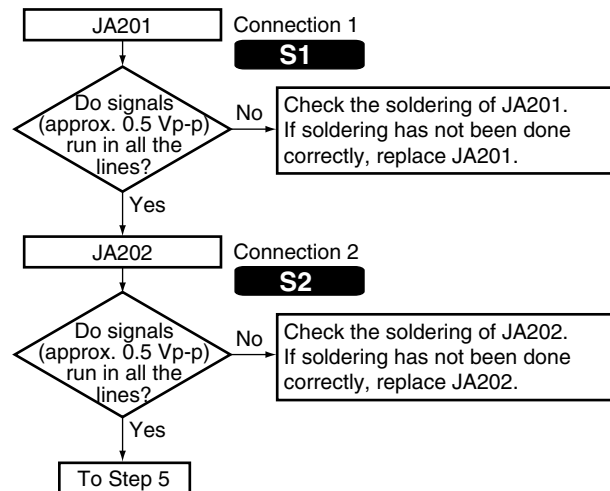
Step 3: Operation of the Master Clock



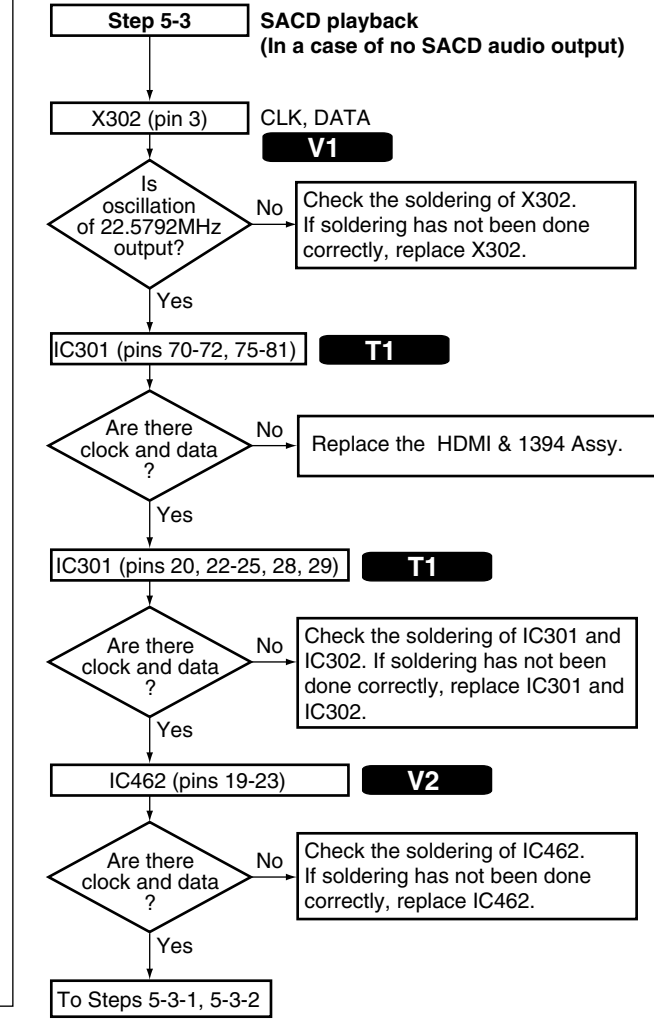
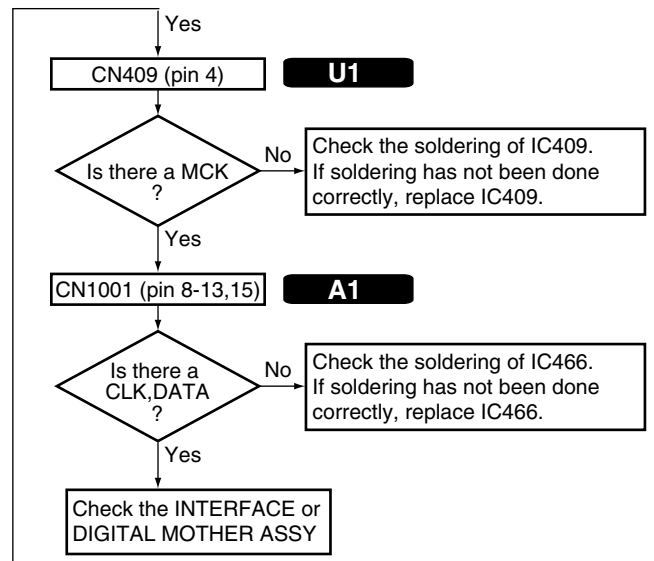
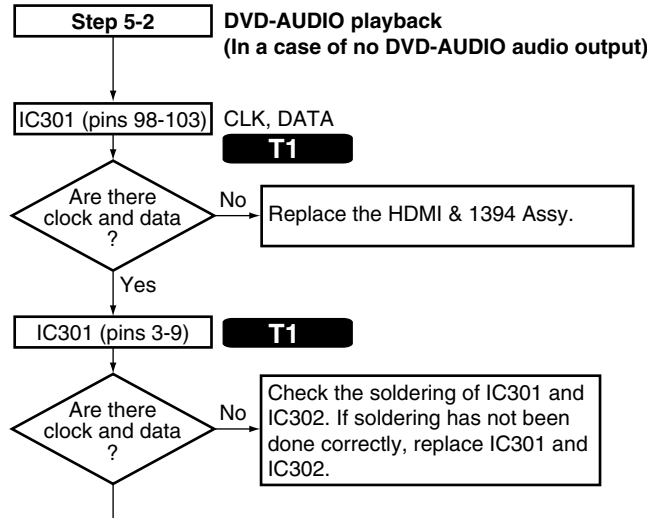
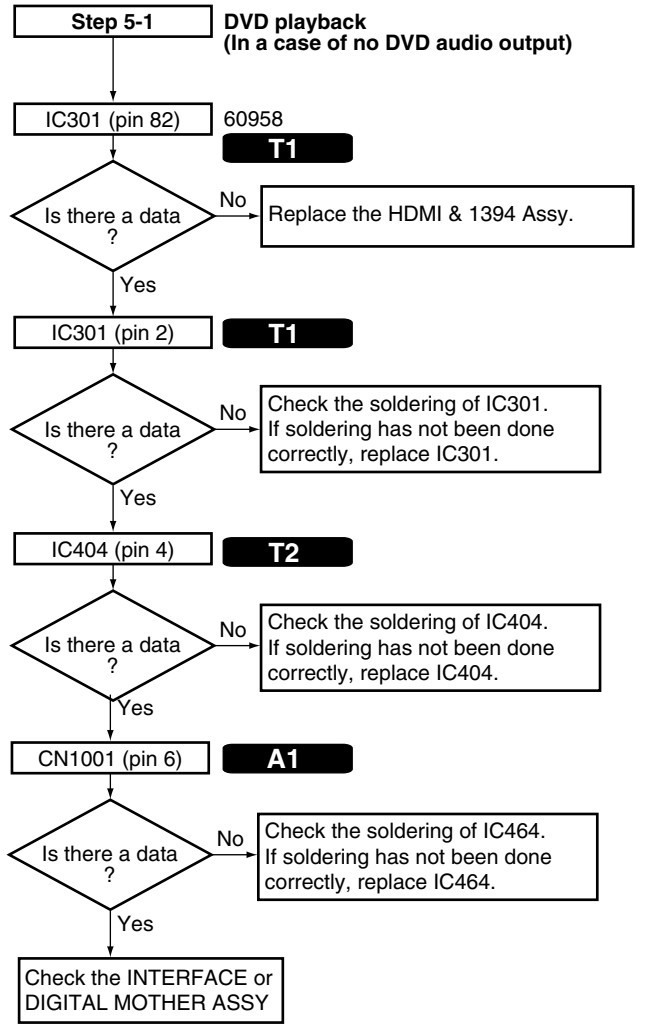
Step 2: Power supply



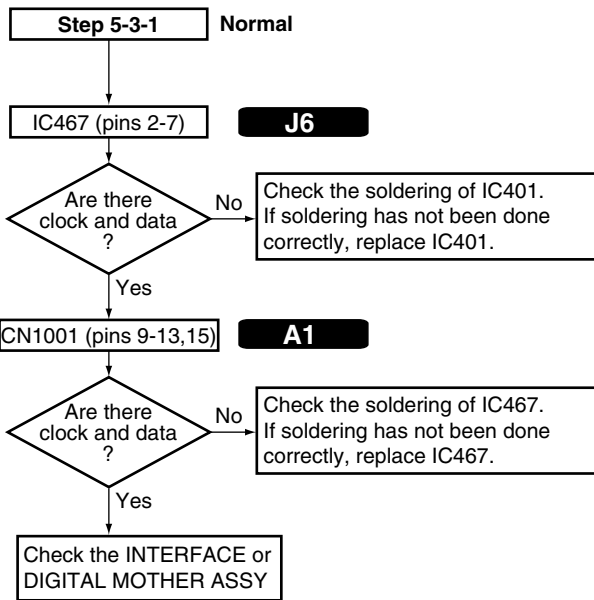
Step 4: Operation of the Master External I/F



Step 5:

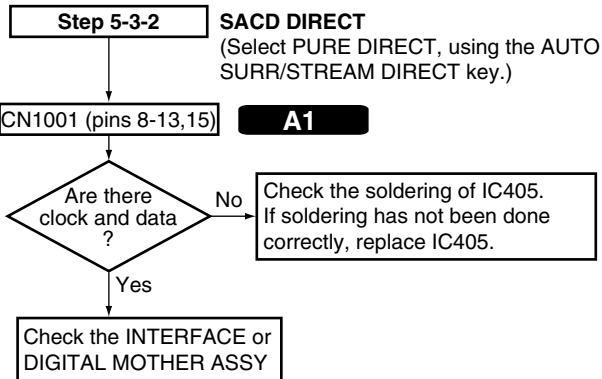


A



B

C



D

E

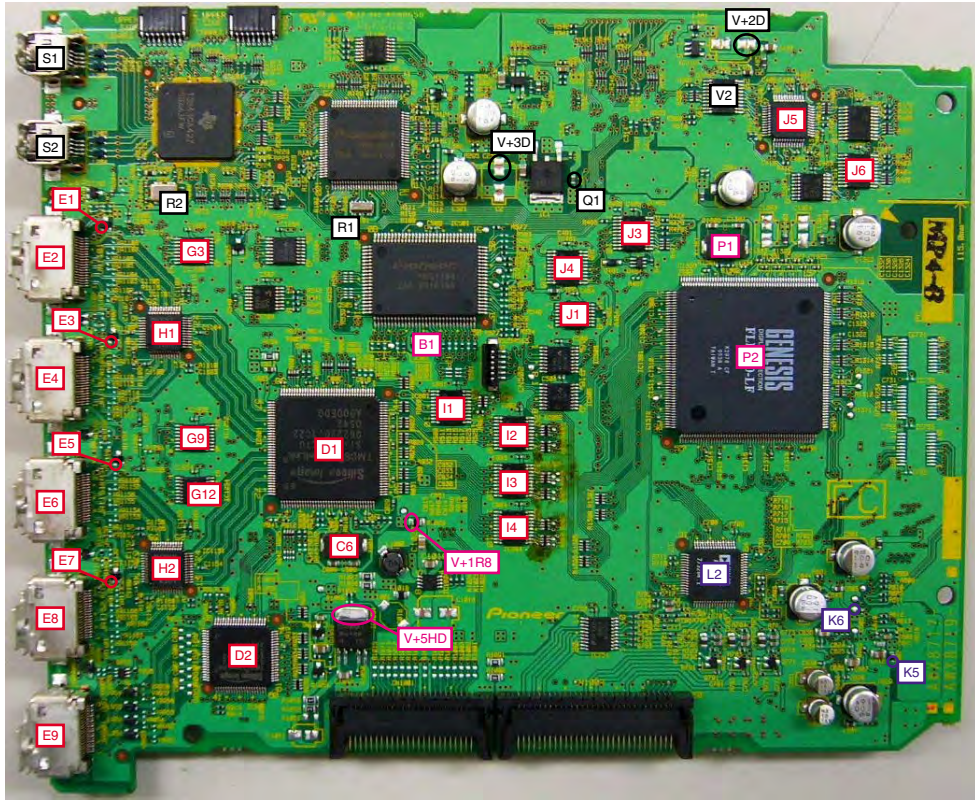
F

HDMI & 1394 Assy Check Points

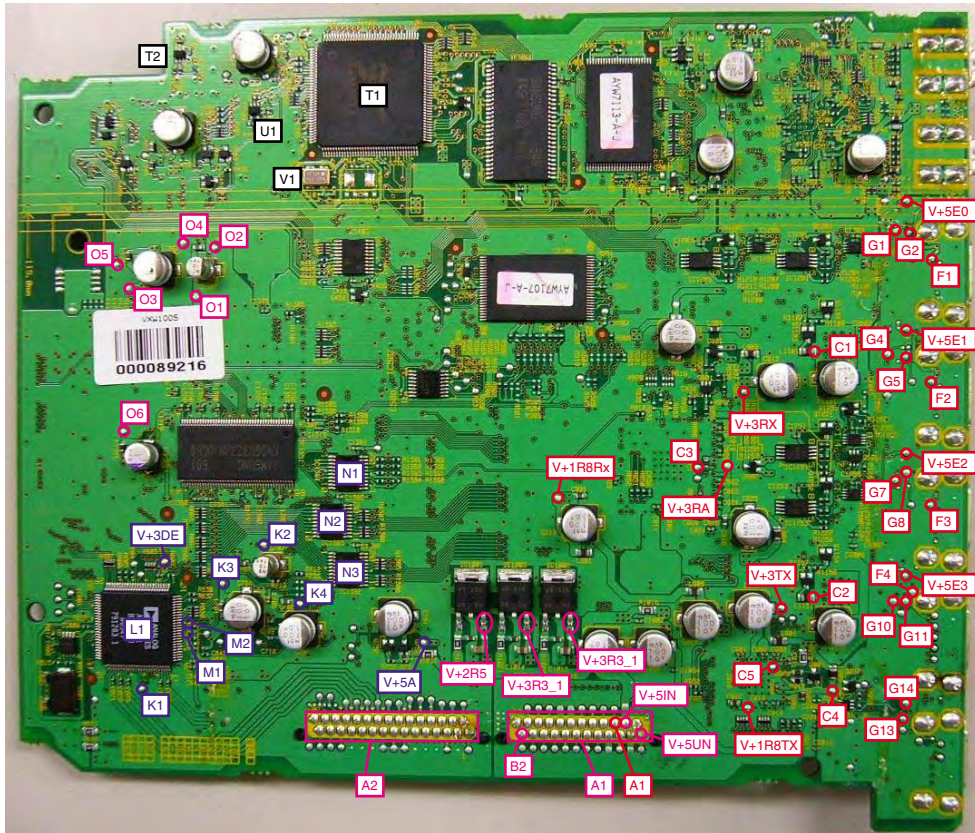
AGF HDMI & 1394 ASSY

Commonness	HDMI	Video Converter	1394
------------	------	-----------------	------

SIDE A



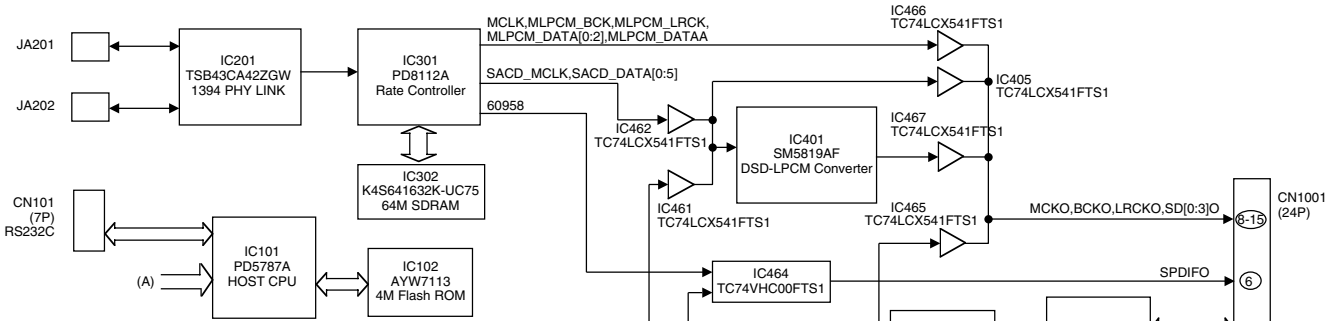
SIDE B



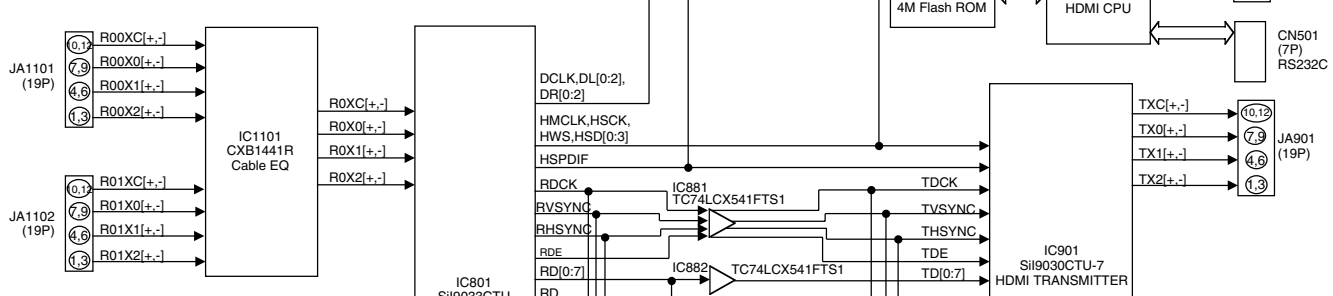
Note : The above photograph is VSX-AX4ASi. HDMI/DVC block of VSX-AX2AS is the same layout.

■ VSX-AX4ASi HDMI & 1394 Assy Block Diagram

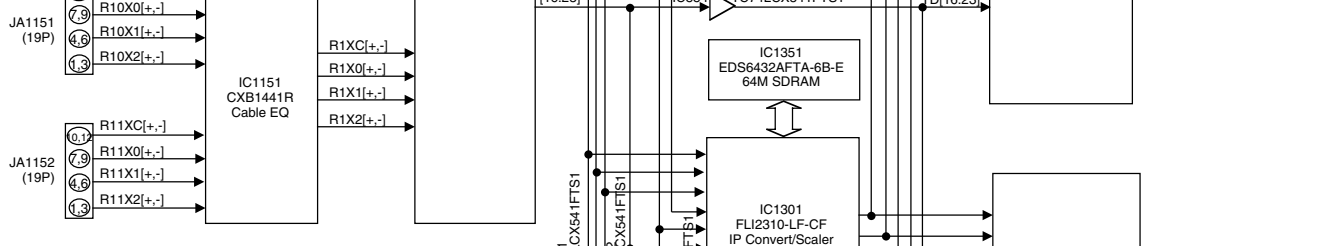
A



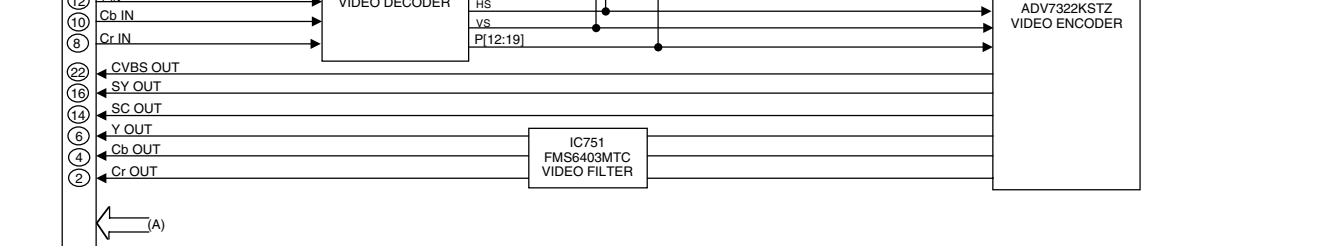
B



C



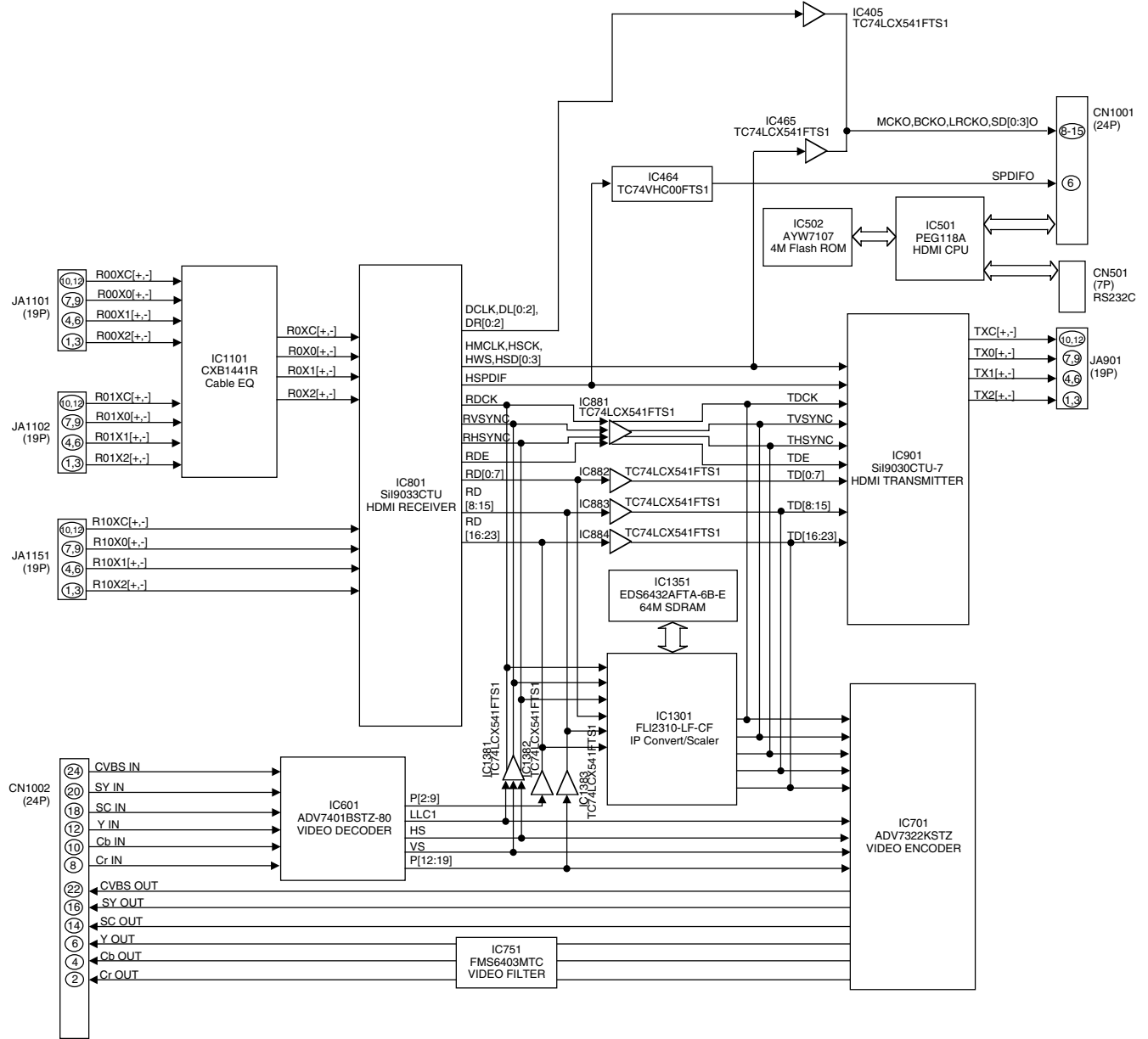
D



E

F

VSX-AX2AS HDMI & DVC Assy Block Diagram



5. HOW TO UPDATE THE VARIOUS MICROCOMPUTERS

■ HDMI, MAIN and DSP microcomputer

[Purpose]

Refer to this section when updating of a Flash ROM is required by the service information, etc.

[Tools to be used]

- PC with a serial port
- RS-232C cable (cf. following note)
- Program for updating (ufu.exe)
- RS-232C I/F jig (GGF1348)
- Firmware ("mot" extension)
- 7-pin FFC (VDA1681)

Note;

Please use a RS-232C cable properly as follows.

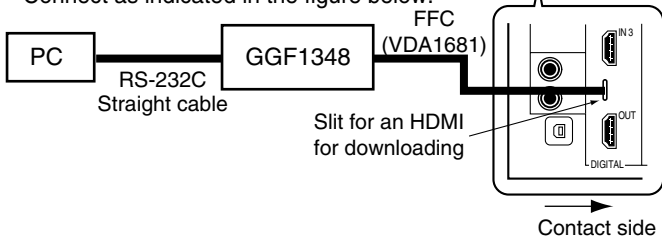
For updating HDMI microcomputer --> straight cable (PC terminal-9pin male) [Connections A]

For updating MAIN microcomputer or DSP microcomputer --> cross cable (PC terminal-25pin female) [Connections B]

[Connections A] (VSX-AX2AS)

For updating HDMI microcomputer

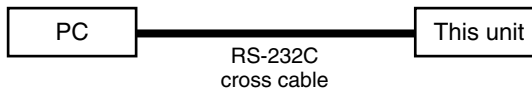
Connect as indicated in the figure below:



[Connections B]

For updating MAIN microcomputer or DSP microcomputer

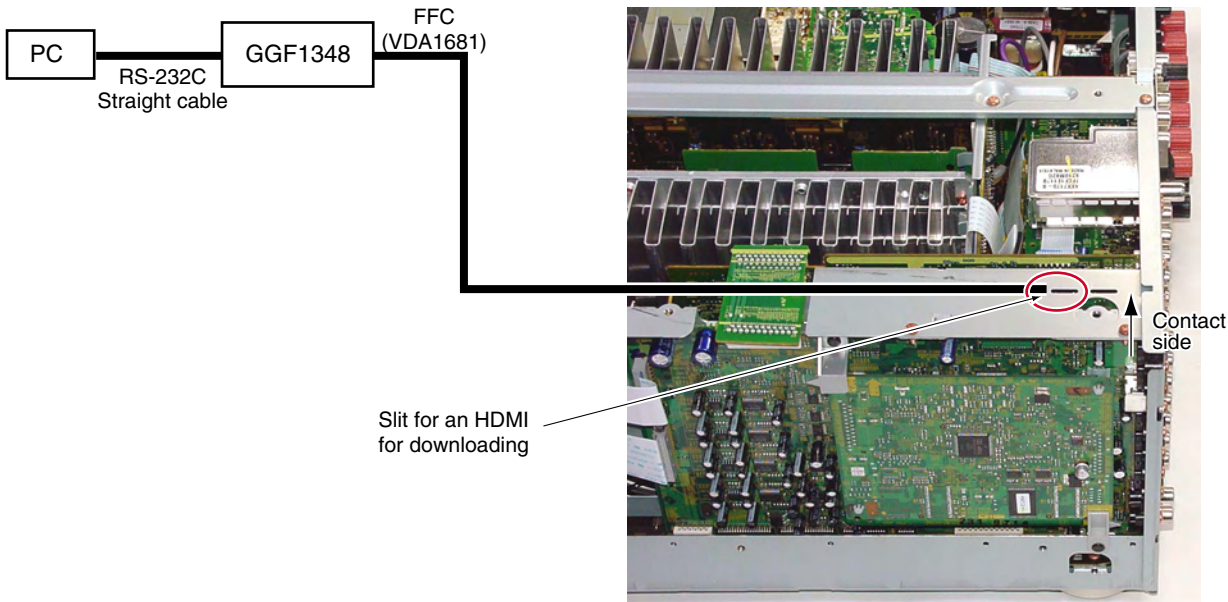
Connect as indicated in the figure below:



[Connections A] (VSX-AX4ASi)

For updating HDMI microcomputer

Connect as indicated in the figure below:

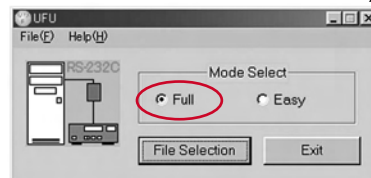


[Note]

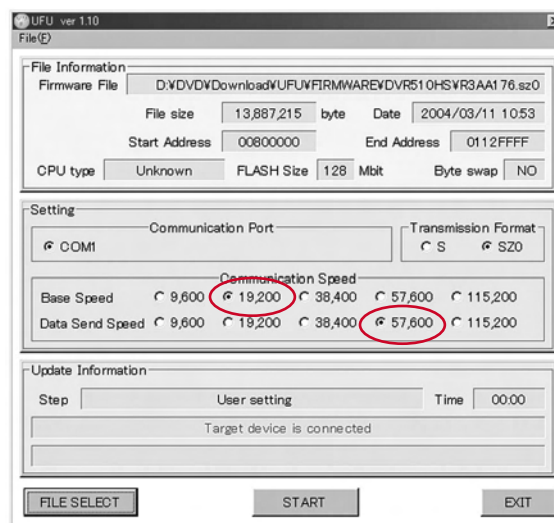
Do NOT disconnect the AC power cords of this unit nor the PC.

[Procedures]

1. Turn off the power to this unit by setting the main volume level to "----dB."
2. Connect the 232C I/F jigs and the PC, as indicated in "Connections."
3. (HDMI microcomputer) :
Simultaneously press and hold the VSEL and ← keys for about 5 seconds.
(MAIN microcomputer) :
Simultaneously press and hold the VSEL and ↓ keys for about 5 seconds.
(DSP microcomputer) :
Simultaneously press and hold the VSEL and → keys for about 5 seconds.
4. The unit is turned on, and "HDMI DOWNLOAD", "MAIN DOWNLOAD" or "DSPM DOWNLOAD" is displayed.
5. Double-click on "ufu.exe".
6. Check that "Full" is selected in MODE SELECT.
7. Select the firm ware file with "mot" extension.
8. Select the communication speed.
 - Basic speed: 19200
 - Data transfer speed: 57600
9. Click on "START" button.
10. (HDMI microcomputer) :
"Completed" is displayed for about 1 minutes in the"ufu.exe" window.
(MAIN microcomputer), (DSP microcomputer) :
"Completed" is displayed for about 3 minutes in the"ufu.exe" window.
11. Disconnect then reconnect the AC power cord of the unit. If the unit is not reset, retry from Step 2.
12. Check the version.
Following the procedures described in "Version indication" in "7.1.1 TEST MODE," check that the version has been changed to a new one. (Refer to the service manual RRV3261.)



Check that "Full" is selected in MODE SELECT.



Select the communication speed.

- Basic speed: 19200
- Data transfer speed: 57600

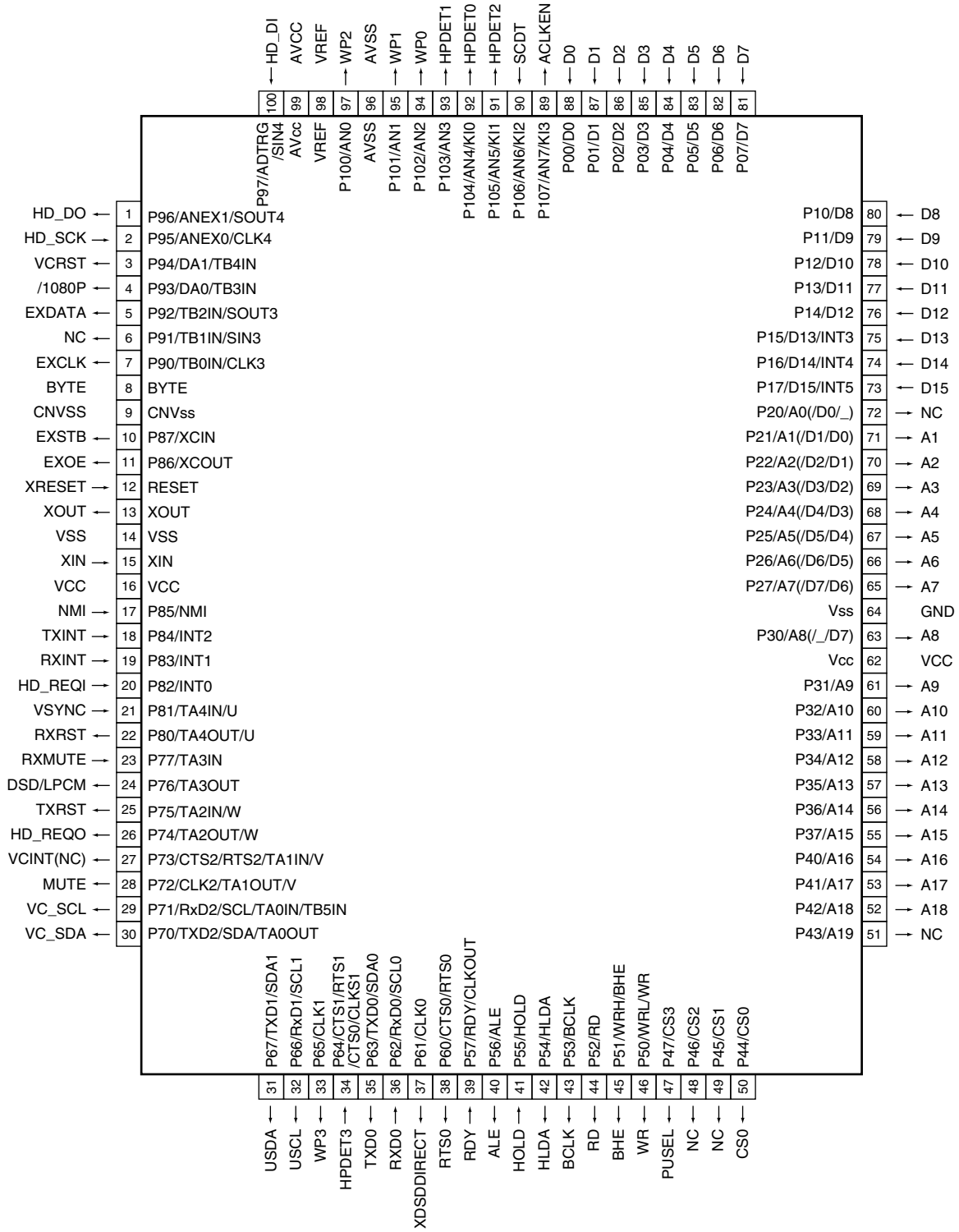
6. IC INFORMATION

• The information shown in the list is basic information and may not correspond exactly to that shown in the schematic diagrams.

■ PEG118A (HDMI & 1394 ASSY for VSX-AX4ASi : IC501) (HDMI & DVC ASSY for VSX-AX2AS : IC501)

• HDMI Microcomputer

■ Pin Arrangement (Top View)



● Pin Function

No.	Mark	Pin Name	I/O	Pin Function
1	P96/ANEX1/SOUT4	HD_DO	O	Main controller communication DATA OUT
2	P95/ANEX0/CLK4	HD_SCK	I	Main controller communication CLOCK IN
3	P94/DA1/TB4IN	VCRST	O	ADV7401/ADV7322/FLI2310 RESET (L:RESET)
4	P93/DA0/TB3IN	/1080P	O	TMD5 amplitude switch (L:1080p, H: excepting 1080p)
5	P92/TB2IN/SOUT3	EXDATA	O	PORT EXPANDER control DATA output
6	P91/TB1IN/SIN3	NC	O	OPEN
7	P90/TB0IN/CLK3	EXCLK	O	PORT EXPANDER control CLOCK output
8	BYTE	BYTE	-	GND
9	CNVss	CNVSS	-	GND
10	P87/XCIN	EXSTB	O	PORT EXPANDER control STB output
11	P86/XCOUT	EXOE	O	PORT EXPANDER control OE output
12	RESET	XRESET	I	Main controller communication RESET input (L: RESET)
13	XOUT	XOUT	O	XTAL
14	VSS	VSS	-	GND
15	XIN	XIN	I	XTAL
16	VCC	VCC	-	Power supply 3.3V
17	P85/NMI	NMI	I	Pull up with Vcc
18	P84/INT2	TXINT	I	SiI9030 interrupt
19	P83/INT1	RXINT	I	SiI9033 interrupt
20	P82/INT0	HD_REQI	I	Main controller communication REQ IN
21	P81/TA4IN/U	VSYNC	I	SiI9030 VSYNC input
22	P80/TA4OUT/U	RXRST	O	SiI9033 RESET (L: RESET)
23	P77/TA3IN	RXMUTE	I	SiI9033 MUTE IN
24	P76/TA3OUT	DSD/LPCM	O	AUDIO output DSD/LPCM switch (H:DSD)
25	P75/TA2IN/W	TXRST	O	SiI9030 RESET (L: RESET)
26	P74/TA2OUT/W	HD_REQO	O	Main controller communication REQ OUT
27	P73/CTS2/RTS2/TA1IN/V	VCINT(NC)	O	ADV7401 interrupt (not used)
28	P72/CLK2/TA1OUT/V	MUTE	O	AUDIO MUTE (H: MUTE)
29	P71/RxD2/SCL/TA0IN/TB5IN	VC_SCL	O	I2C SCL(ADV7401/ADV7322/FLI2310)
30	P70/TXD2/SDA/TA0OUT	VC_SDA	O	I2C SDA(ADV7401/ADV7322/FLI2310)
31	P67/TXD1/SDA1	USDA	O	I2C SDA(SiI9033/SiI9030)
32	P66/RxD1/SCL1	USCL	O	I2C SCL(SiI9033/SiI9030)
33	P65/CLK1	WP3	O	EDID4 E2PROM WP control (L:Normal operation, H: Writing)
34	P64/CTS1/RTS1/CTS0/CLKS1	HPDET3	O	Hot Plug Detect control (IN4)
35	P63/TXD0/SDA0	TXD0	O	RS232C TXD
36	P62/RxD0/SCL0	RXD0	I	RS232C RXD
37	P61/CLK0	XSDDDIRECT	O	DSD output LPCM Convert/ DIRECT output selection (L:SDDDIRECT output)
38	P60/CTS0/RTS0	RTS0	O	RS232C RTS
39	P57/RDY/CLKOUT	RDY	I	Pull up with Vcc
40	P56/ALE	ALE	O	OPEN
41	P55/HOLD	HOLD	I	Pull up with Vcc
42	P54/HLDA	HLDA	O	OPEN
43	P53/BCLK	BCLK	O	Pull up with Vcc
44	P52/RD	RD	O	FLASH ROM I/F RD
45	P51/WRH/BHE	BHE	O	OPEN
46	P50/WRL/WR	WR	O	FLASH ROM I/F WR
47	P47/CS3	PUSEL	O	DDC communication pull-up resistor switch (L: Normal operation)
48	P46/CS2	NC	O	OPEN

No.	Mark	Pin Name	I/O	Pin Function
49	P45/CS1	NC	O	OPEN
50	P44/CS0	CS0	O	FLASH ROM I/F CS
51	P43/A19	NC	O	OPEN
52	P42/A18	A18	O	FLASH ROM I/F
53	P41/A17	A17	O	FLASH ROM I/F
54	P40/A16	A16	O	FLASH ROM I/F
55	P37/A15	A15	O	FLASH ROM I/F
56	P36/A14	A14	O	FLASH ROM I/F
57	P35/A13	A13	O	FLASH ROM I/F
58	P34/A12	A12	O	FLASH ROM I/F
59	P33/A11	A11	O	FLASH ROM I/F
60	P32/A10	A10	O	FLASH ROM I/F
61	P31/A9	A9	O	FLASH ROM I/F
62	Vcc	VCC	–	Power supply 3.3V
63	P30/A8(/_/_D7)	A8	O	FLASH ROM I/F
64	Vss	GND	–	GND
65	P27/A7(/D7/D6)	A7	O	FLASH ROM I/F
66	P26/A6(/D6/D5)	A6	O	FLASH ROM I/F
67	P25/A5(/D5/D4)	A5	O	FLASH ROM I/F
68	P24/A4(/D4/D3)	A4	O	FLASH ROM I/F
69	P23/A3(/D3/D2)	A3	O	FLASH ROM I/F
70	P22/A2(/D2/D1)	A2	O	FLASH ROM I/F
71	P21/A1(/D1/D0)	A1	O	FLASH ROM I/F
72	P20/A0(/D0/_)	NC	O	OPEN
73	P17/D15/INT5	D15	I	FLASH ROM I/F
74	P16/D14/INT4	D14	I	FLASH ROM I/F
75	P15/D13/INT3	D13	I	FLASH ROM I/F
76	P14/D12	D12	I	FLASH ROM I/F
77	P13/D11	D11	I	FLASH ROM I/F
78	P12/D10	D10	I	FLASH ROM I/F
79	P11/D9	D9	I	FLASH ROM I/F
80	P10/D8	D8	I	FLASH ROM I/F
81	P07/D7	D7	I	FLASH ROM I/F
82	P06/D6	D6	I	FLASH ROM I/F
83	P05/D5	D5	I	FLASH ROM I/F
84	P04/D4	D4	I	FLASH ROM I/F
85	P03/D3	D3	I	FLASH ROM I/F
86	P02/D2	D2	I	FLASH ROM I/F
87	P01/D1	D1	I	FLASH ROM I/F
88	P00/D0	D0	I	FLASH ROM I/F
89	P107/AN7/KI3	ACLKEN	O	AUDIO DATA, SPDIF output control (H:ON)
90	P106/AN6/KI2	SCDT	I	Sil9033 SCDT input
91	P105/AN5/KI1	HPDET2	O	Hot Plug Detect control (IN3)
92	P104/AN4/KI0	HPDET0	O	Hot Plug Detect control (IN1)
93	P103/AN3	HPDET1	O	Hot Plug Detect control (IN2)
94	P102/AN2	WP0	O	EDID1 E2PROM WP control (L: Normal operation, H: Writing)
95	P101/AN1	WP1	O	EDID2 E2PROM WP control (L: Normal operation, H: Writing)
96	AVSS	AVSS	–	GND
97	P100/AN0	WP2	O	EDID3 E2PROM WP control (L:Normal operation, H: Writing)
98	VREF	VREF	–	Reference voltage 3.3V
99	AVcc	AVCC	–	Power supply 3.3V
100	P97/ADTRG/SIN4	HD_DI	I	Main controller communication (DATA IN)

■ **CD4094BPW (HDMI & 1394 and HDMI & DVC ASSY : IC505)**
PORT EXPANDER

No.	FUNCTION	NAME	I/O	DESCRIPTION
1	STB	STB	I	STB input
2	DATA	DATA	I	DATA input
3	CLOCK	CLOCK	I	CLOCK input
4	Q1	FSEL0	O	FMS6403 Filter Cut Off frequency switch 0
5	Q2	FSEL1	O	FMS6403 Filter Cut Off frequency switch 1
6	Q3	FILTPOW	O	FMS6403 power supply control (H : ON)
7	Q4	SW0SEL	O	CXB1441R (IC1101) input switch
8	VSS	VSS	O	GND
9	QS	QS	O	NC
10	QS'	QS'	O	QS' output
11	Q8	NC	O	NC
12	Q7	SW2	O	TC74LCX541FTS1(IC1381-1383) output control (H : HighZ, L : IN=OUT)
13	Q6	SW1	O	TC74LCX541FTS1(IC881-884) output control (H : HighZ, L : IN=OUT)
14	Q5	SW0CE	O	CXB1441R (IC1101) chip enable
15	OE	OE	I	OE input
16	VDD	VDD		3.3V

■ **CD4094BPW (HDMI & 1394 ASSY : IC506)**
PORT EXPANDER

No.	FUNCTION	NAME	I/O	DESCRIPTION
1	STB	STB	I	STB input
2	DATA	DATA	I	DATA input
3	CLOCK	CLOCK	I	CLOCK input
4	Q1	SW1SEL	O	CXB1441R (IC1151) input switch
5	Q2	SW1CE	O	CXB1441R (IC1151) chip enable
6	Q3	NC	O	NC
7	Q4	NC	O	NC
8	VSS	VSS	O	GND
9	QS	QS	O	NC
10	QS'	QS'	O	QS' output
11	Q8	1394/HDMI	O	AUDIO output 1394/HDMI switch (H : 1394, L : HDMI)
12	Q7	DSGAIN	O	SM5819 DSGAIN control
13	Q6	SEL4FS	O	SM5819 SEL4FS control
14	Q5	XINIT	O	SM5819 XINIT control
15	OE	OE	I	OE input
16	VDD	VDD		3.3V

A

■ Jigs list

Name	Jig No.	Remarks
24pin board to board extension cable	GGD1491	Diagnosis of HDMI & 1394 Assy (VSX-AX4ASi)
30pin board to board extension cable	GGD1492	Diagnosis of HDMI & 1394 Assy (VSX-AX4ASi)

Name	Jig No.	Remarks
24pin board to board extension cable	GGD1491 (x 2)	Diagnosis of HDMI & DVC Assy (VSX-AX2AS)

B

C

D

E

F