

Pioneer

Service Manual

ORDER NO.
RRV2153

AUDIO/VIDEO MULTI-CHANNEL RECEIVER

VSX-D908TX VSX-D908TX-G

THIS MANUAL IS APPLICABLE TO THE FOLLOWING MODEL(S) AND TYPE(S).

Type	Model		Power Requirement	The voltage can be converted by the following method.
	VSX-D908TX	VSX-D908TX-G		
SD	○	○	AC110V/120-127V/220V/240V	With the voltage selector

● This service manual should be used together with the following manual(s):

Model	Order No.	Remarks
VSX-24TX/KU/CA	RRV2133	

CONTENTS

- 1. CONTRAST OF MISCELLANEOUS PARTS 2
- 2. SCHEMATIC DIAGRAM 7
- 3. PCB CONNECTION DIAGRAM 10

1. CONTRAST OF MISCELLANEOUS PARTS

- NOTES: ● Parts marked by "NSP" are generally unavailable because they are not in our Master Spare Parts List.
 ● The Δ mark found on some component parts indicates the importance of the safety factor of the part. Therefore, when replacing, be sure to use parts of identical designation.
 ● Screws adjacent to \blacktriangledown mark on product are used for disassembly.
 ● Reference Nos. indicate the pages and Nos. in the service manual for the base model.
 ● When ordering resistors, first convert resistance values into code form as shown in the following examples.
 Ex.1 When there are 2 effective digits (any digit apart from 0), such as 560 ohm and 47k ohm (tolerance is shown by J=5%, and K=10%).

560 → 56 x 10¹ → 561 RD1/4PU561J
 47k → 47 x 10³ → 473 RD1/4PU473J
 0.5 → R50 RN2H[R]50K
 1 → 1R0 RS1P[R]1R0K

Ex.2 When there are 3 effective digits (such as in high precision metal film resistors).
 5.62k → 562 x 10¹ → 5621 RN1/4PC5621F

■ CONTRAST TABLE

VSX-D908TX/SD, VSX-D908TX-G/SD and VSX-24TX/KU/CA are constructed the same except for the following :

Ref. No.	Mark	Symbol and Description	Part No.			Remarks
			VSX-24TX /KU/CA	VSX-D908TX /SD	VSX-D908TX-G /SD	
ASSEMBLIES						
		MAIN ASSY	AWK7531	AWK7539	AWK7539	
P5- 5		└ MAIN CONTROL ASSY	AWX7406	AWX7425	AWX7425	
P5-12		└ VIDEO ASSY	AWX7407	AWX7422	AWX7422	
COMPLEX ASSY						
P5- 3		└ A-PINJACK ASSY	AWX7401	AWX7397	AWX7397	*1
P5-10		└ TRANS 1 ASSY	AWX7316	Not used	Not used	
P5-15		└ PRIMARY ASSY	AWX7311	AWX7426	AWX7426	
		└ /SD ASSY	Not used	AWX7448	AWX7448	No.1
FRONT/VAMP ASSY						
P5-19		└ V-AMP ASSY	AWX7409	AWX7309	AWX7309	*2
P9- 1		└ H.PHONE/F.VIDEO ASSY	AWX7528 *3	AWX7342	AWX7342	
P9- 2		└ DISPLAY ASSY	AWX7529 *4	AWX7408	AWX7408	
POWER/CURRENT ASSY						
P5- 6		└ TRANS 2-1 ASSY	AWX7326	AWX7403	AWX7404	
P5- 8		└ SP/PS ASSY	AWX7325	AWX7359	AWX7359	
PACKING SECTION						
P3- 3		Operating Instructions (English)	ARB7186	Not used	Not used	
P3- 3		Operating Instructions (English)	Not used	ARE7213	ARE7213	
		Operating Instructions (Chinese)	Not used	ARC7286	ARC7286	
		Operating Instructions (Spanish)	Not used	ARC7287	ARC7287	
P3- 4		Remote Control Unit (CU-VSX159)	AXD7212	Not used	Not used	
P3- 4		Remote Control Unit (CU-VSX163)	Not used	AXD7234	Not used	
P3- 4		Remote Control Unit (CU-VSX164)	Not used	Not used	AXD7235	
P3- 9		Packing Case	AHD7784	AHD7795	AHD7799	
P3-12	NSP	Warranty Card	ARY1026	ARY7025	Not used	
	NSP	Caution Card 220V	Not used	ARR7003	ARR7003	On the Polyethylene Bag
	Δ	AC Plug Adapter	Not used	AKX7011	AKX7011	For Accessories

*1, *2, *3, *4 : refer to VSX-26TX/KU/CA on the Service manual RRV2133.
 *3 : As for H.PHONE/F.VIDEO ASSY, the design change was done from AWX7342 to AWX7528.
 *4 : As for DISPLAY ASSY, the design change was done from AWX7408 to AWX7529.

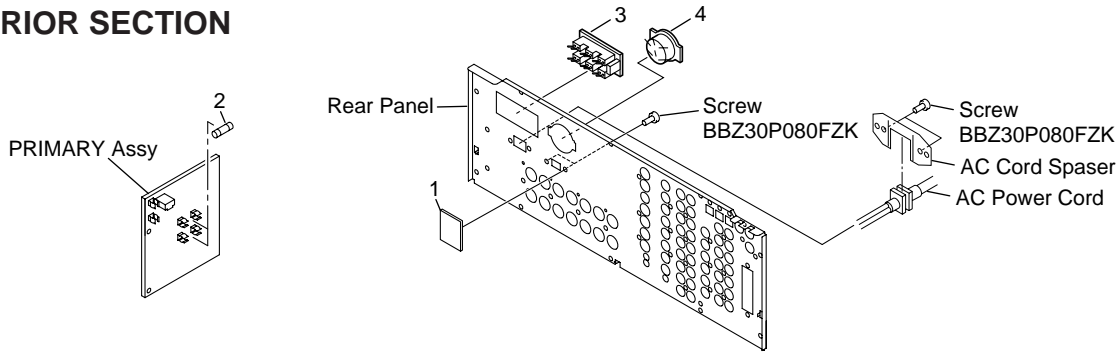
Ref. No.	Mark	Symbol and Description	Part No.			Remarks
			VSX-24TX /KU/CA	VSX-D908TX /SD	VSX-D908TX-G /SD	
EXTERIOR SECTION						
P5-20	⚠	AC Power Cord	ADG7024	ADG7029	ADG7029	
P5-21	⚠	Power Transformer (T1) (AC120V)	ATS7252	Not used	Not used	
P5-21	⚠	Power Transformer (T1) (AC110V/120-127V/220V/240V)	Not used	ATS7255	ATS7255	
P5-22		FM/AM TUNER Unit	AXX7046	AXX7047	AXX7047	
P5-23	⚠	Fuse (FU1 : 10A)	VEK1029	Not used	Not used	
P5-23	⚠	Fuse (FU1 : 10A)	Not used	DEK1045	DEK1045	
P5-24	⚠	Fuse (FU4 : 2.5A)	REK1079	Not used	Not used	
P5-24	⚠	Fuse (FU4 : 2.5A)	Not used	AEK-511	AEK-511	
P5-25	⚠	Fuse (FU5 : 2.5A)	REK1079	Not used	Not used	
P5-25	⚠	Fuse (FU5 : 2.5A)	Not used	AEK-511	AEK-511	
P5-26		Cord Stopper	CM22C	Not used	Not used	
P5-26		AC Cord Spaser	Not used	ANG1153	ANG1153	
P5-27		Bonnet Case	AZN7789	AZN7789	AZN7794	
P5-54		Rear Panel	ANC7847	ANC7741	ANC7842	
P5-58		Side Escutcheon L	AAK7633	AAK7633	AAK7637	
P5-59		Side Escutcheon R	AAK7634	AAK7634	AAK7638	
P5-73		Screw	FBT40P080FZK	FBT40P080FZK	FBT40P080FNI	
P5-67		Screw (×5, For Front Panel Bottom side)	BBZ30P080FZK	BBZ30P080FZK	BBZ30P080FCC	
P5-67		Screw (×7, For Bonnet Case)	BBZ30P080FZK	BBZ30P080FZK	BBZ30P080FCC	
		Screw (×2, For AC Outlet on Rear Panel)	BBZ30P080FZK	Not used	Not used	
		Screw (×4, For Front Panel Top side)	IBZ30P100FCC	IBZ30P100FCC	IBZ30P100FCC	
	⚠	Fuse (FU2, 3 : T5A)	Not used	AEK1061	AEK1061	No.2
	⚠	AC Outlet 3P	Not used	AKP-502	AKP-502	No.3
	⚠	Voltage Selector	Not used	AKX-507	AKX-507	No.4
FRONT PANEL SECTION						
P9- 4		Door Hinge L	AMR7252	AMR7252	AMR7250	
P9- 5		Door Hinge R	AMR7253	AMR7253	AMR7251	
P9- 7		Door Panel	AMB7633	AMB7624	AMB7625	
P9- 9	NSP	Door Plate	AAH7059	AAH7059	AAH7060	
P9-10		Door Sheet	AAK7677	AAK7677	AAK7675	
P9-11		Display Panel	AAK7625	AAK7630	AAK7631	
P9-13		Power Button (STANDBY/ON)	AAD7440	AAD7440	AAD7485	
P9-21		Sub Panel	AMB7575	AMB7617	AMB7618	
P9-22		Volume Ring	AAK7623	AAK7623	AAH7016	
P9-24		Door Cushion	AEB7152	AEB7152	AEB7153	
P9-25		Front Panel	AMB7613	AMB7614	AMB7636	
P9-27		Name Plate	PAN1376	PAN1376	PAN1377	
P9-29		FL Sheet	AAK7627	AAK7627	AAK7629	
P9-30		Volume Knob (MASTER VOLUME)	AAB7193	AAB7193	AAB7207	
P9-31		Rotary Knob (INPUT SELECTOR)	AAB7196	AAB7196	AAB7208	
P9-36		Screw	BBZ30P080FZK	BBZ30P080FZK	BBZ30P080FCC	
P9-38		Panel Base	AMB7569	AMB7569	AMB7571	

Notes : ●The numbers in the remarks column correspond to the numbers on the “EXPLODED VIEWS”.

● For PCB ASSEMBLIES, Refer to “CONTRAST OF PCB ASSEMBLIES”, “2. SCHEMATIC DIAGRAM” and “3. PCB CONNECTION DIAGRAM”.

VSX-D908TX, VSX-D908TX-G

■ EXPLODED VIEWS ● EXTERIOR SECTION



■ CONTRAST OF REMOTE CONTROL UNIT

AXD7234, AXD7235 and AXD7212 are constructed the same except for the following :

Ref. No.	Mark	Symbol and Description	Part No.			Remarks
			AXD7212 (CU-VSX159)	AXD7234 (CU-VSX163)	AXD7235 (CU-VSX164)	
P98- 1		Name Plate A	AZA7337	AZA7356	AZA7353	
P98- 2		Name Plate B	AZA7338	AZA7359	AZA7359	
P98- 3		Rubber Sheet	AZA7339	AZA7355	AZA7355	
P98- 8		Battery Cover	AZN2401	AZN2401	AZN7791	
P98- 9		Case (A)	AZN7780	AZN7780	AZN7792	
P98-10		Case (B)	AZN7781	AZN7781	AZN7793	

■ CONTRAST OF PCB ASSEMBLIES

DF MAIN CONTROL ASSY

AWX7425 and AWX7406 are constructed the same except for the following :

Mark	Symbol and Description	Part No.		Remarks
		AWX7406	AWX7425	
IC109		NJM4558MD	Not used	
Q113, Q114		2SC2878	Not used	
D201, D202		UDZS5.1B	Not used	
C141, C142, C149, C150		CEAT100M50	Not used	
C147, C148		CEAT1R0M50	Not used	
C143, C144		CKSQYB103K50	Not used	
R109		RD1/2VM391J	Not used	
R110		RS1/10S472J	Not used	
R129, R130		RS1/10S104J	Not used	
R131, R132		RS1/10S471J	Not used	
R133, R134		Not used	RS1/10S102J	*
R135, R136, R924, R926		RS1/10S103J	Not used	
R141-R144		RS1/10S102J	Not used	
R145, R146		RS1/10S473J	Not used	
R320, R322, R335, R336		RS1/10S0R0J	Not used	
R325-R330		Not used	RS1/10S0R0J	*
R923, R925		Not used	RS1/10S103J	*
CN911		AKB7015	Not used	
JA911 (For CN911)		Not used	DKB1045	

* : refer to VSX-26TX/KU/CA on the Service manual RRV2133.

LF SP/PS ASSY

AWX7359 and AWX7325 are constructed the same except for the following :

Mark	Symbol and Description	Part No.		Remarks
		AWX7325	AWX7359	
	IC3001	Not used	AEK7007	
	Q3501, Q3502	Not used	DTA124ES	
	Q3503	Not used	2SC4793	
	Q3504	Not used	2SC2235	
	D3052, D3054, D3056, D3058, D3010	Not used	1SS133	
	D3501, D3502	Not used	S5688G	
	D3505	Not used	MTZJ27D	
	D3506, D3508	Not used	MTZJ12C	
	D3507	Not used	MTZJ5.1B	
	C3001, C3002	ACH7130 (22000µF/50V)	ACH7129 (22000µF/56V)	
	C3101-C3105	CFTYA104J50	CFTYA224J50	
	C3106-C3110	Not used	CFTYA224J50	
	C3111-C3117	CQHA102J2A	CQMA332K2E	
	C3501	Not used	CEAT471M35	
	C3502	Not used	CEAT1R0M50	
	C3503	Not used	CKCYF103Z50	
	C3504	Not used	CEAT471M25	
	R3133, R3134	Not used	RS1LMF471J	
	R3501	Not used	RD1/4PU471J	
	R3502	Not used	RD1/4PU473J	
	R3503	Not used	RD1/4PU102J	
	R3504	Not used	RD1/4PU104J	
	R3505	Not used	RS3LMF221J	
	R3506	Not used	RD1/4PU222J	
	R3507	Not used	RD1/4PU103J	
	CN3002	Not used	KM250MA3	
	CN3101	AKE7033	AKE7044	
	CN3102	AKE7034	AKE7045	

JF TRANS 2-1 ASSY

AWX7403 and AWX7326 are constructed the same except for the following :

Mark	Symbol and Description	Part No.		Remarks
		AWX7326	AWX7403	
	C4501-C4503	Not used	ACH1237 (1µF/100V)	
	C4509, C4510	CEAT101M50	CECA101M50	
	R4501-R4503	Not used	RFA1/4PS220J	

VSX-D908TX, VSX-D908TX-G

PF VIDEO ASSY

AWX7422 and AWX7407 are constructed the same except for the following :

Mark	Symbol and Description	Part No.		Remarks
		AWX7407	AWX7422	
	D731	1SS355	Not used	
	C731	CCSQCH181J50	Not used	
	C791	CKSQYB103K50	Not used	
	R731	RS1/10S750J	Not used	
	R732	RS1/10S102J	Not used	
	JA701	AKB7056	Not used	
	JA703	AKB7115	Not used	
	JA705	AKN7014	Not used	
	702	Not used	AKB7017	*
	707	Not used	AKB7020	*

* : refer to VSX-26TX/KU/CA on the Service manual RRV2133.

VF PRIMARY ASSY

AWX7426 and AWX7311 are constructed the same except for the following :

Mark	Symbol and Description	Part No.		Remarks
		AWX7311	AWX7426	
△	T6001	ATT7043	ATT7041	
	R6001 (2.2MΩ/ 1/2W)	RCN1080	Not used	
	H6003-H6006	Not used	AKR1004	
	Y6003	Not used	ADX7283	
	Y6004	Not used	ADX7282	
	Y6005	Not used	ADX7281	
	J6001	Not used	DB640EB0	
	J6002	Not used	DB416EB0	
	6004	AKP1053	Not used	

■ PCB PARTS LIST

Mark	No.	Description	Part No.
------	-----	-------------	----------

ZF /SD ASSY

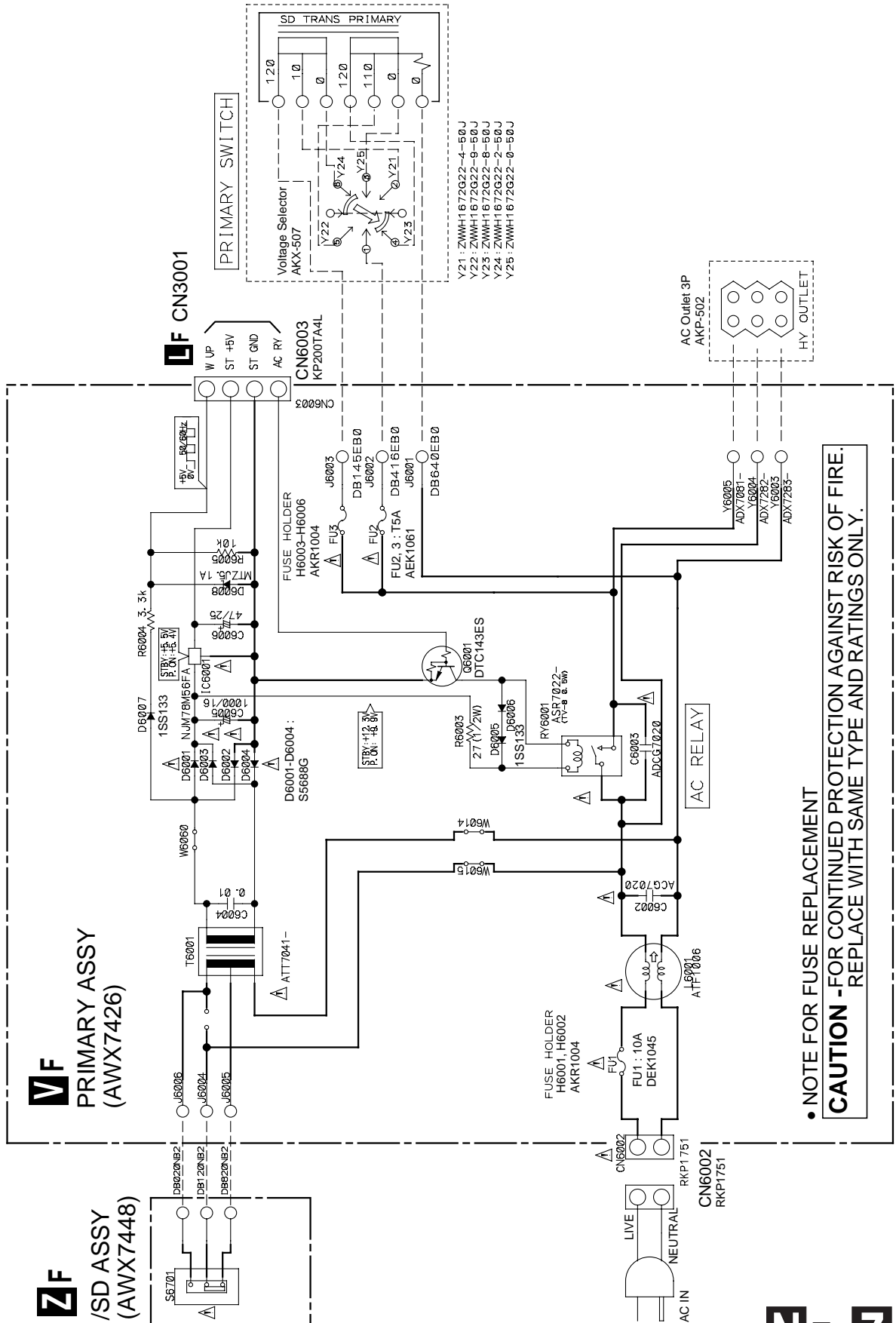
OTHERS

△	S6701	VOLTAGE SELECTOR	AKX1004
---	-------	------------------	---------

2. SCHEMATIC DIAGRAM

Note : When ordering service parts, be sure to refer to "EXPLODED VIEWS and PARTS LIST" or "PCB PARTS LIST"

2.1 PRIMARY and /SD ASSYS



ZF

NF ZF

2.2 TRANS 2-1, DIODE and SP/PS ASSYS

CAUTION : FOR CONTINUED PROTECTION AGAINST RISK OF FIRE. REPLACE ONLY WITH SAME TYPE NO. 49102.5 MFD, BY LITTELFUSE INC. FOR IC4501, IC4502 (AEK7014).

Y1 : ADX7284 - (BLK) Y5 : ADX7288 - (BLU)
 Y2 : ADX7285 - (BWN) Y6 : ADX7289 - (RED)
 Y3 : ADX7286 - (GRY) Y7 : ADX7290 - (BLU)
 Y4 : ADX7287 - (RED) Y14 : ADX7297 - (BLK)

RECTIFIER FOR POWER AMP "VL"

JF
 TRANS 2-1 ASSY
 (AWX7403)

K DIODE ASSY
 (AWX7343)

HE

POWER TRANSFORMER

R4501-R4503 : 22
 C4501-C4503 :
 ACH1237 (NP1/100)
 AEK7014-
 IC4501
 2.5A
 C4501

VH
 VL

REG

FU4, FU5 : 2.5A
 AEK-511

FUSE HOLDER
 H4501-4504
 AKR1004

REG

REG

REG

REG

REG

REG

REG

REG

REG

REG

REG

REG

REG

D4505	MTZJ20A
D4508	
D4509	MTZJ12B
D4510	

AMP FOR
 POWER AMP VOLTAGE
 AMPLIFYING STAGE "VH"

NOTE FOR FUSE REPLACEMENT

CAUTION -FOR CONTINUED PROTECTION AGAINST RISK OF FIRE. REPLACE WITH SAME TYPE AND RATINGS ONLY.

CAUTION : FOR CONTINUED PROTECTION AGAINST RISK OF FIRE. REPLACE ONLY WITH SAME TYPE NO. 491.750 MFD, BY LITTELFUSE INC. FOR IC3001 (AEK7007).

VF
 CN6003

CN3001
 KM200TA4

CN3002
 KM250MA3

TO FAN

FAN+
 FAN-
 STOP DET

COOLING FAN FAN CONTROL

(NORMAL : 0V/STOP : +27V)

NECK

L FAN

RY B

RY HP

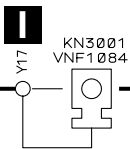
RY C/S

RY A

JF K LF

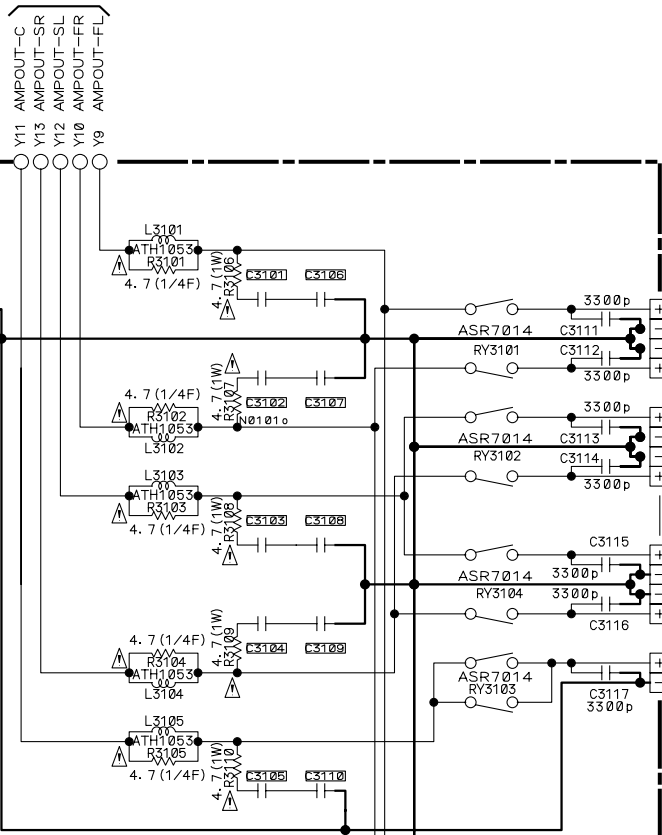
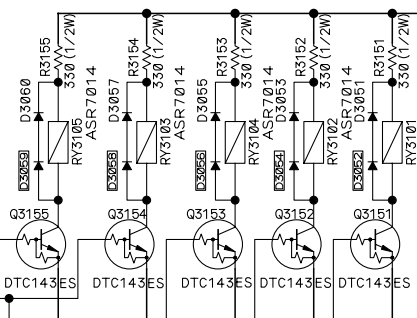
HA - HE

- Y8 : ADX7291- (BLK)
- Y9 : ADX7292- (WHT)
- Y10 : ADX7293- (ORG)
- Y11 : ADX7294- (VLT)
- Y12 : ADX7295- (YEL)
- Y13 : ADX7296- (GRN)
- Y17 : ADX7298- (BLK)

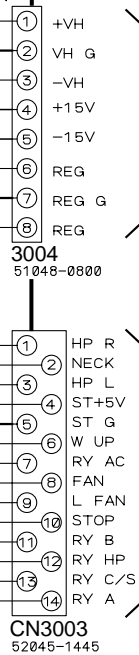
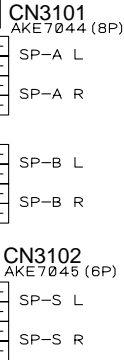


SP/PS ASSY (AWX7359)

SPEAKER RELAY



C3101	CFTYA224J50
C3105	CFTYA224J50
C3106	CFTYA224J50
C3110	CFTYA224J50



M CN5001

M CN5002

CN3003 52045-1445



3. PCB CONNECTION DIAGRAM

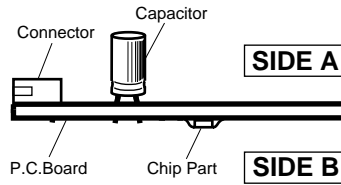
NOTE FOR PCB DIAGRAMS:

1. Part numbers in PCB diagrams match those in the schematic diagrams.
2. A comparison between the main parts of PCB and schematic diagrams is shown below.

Symbol in PCB Diagrams	Symbol in Schematic Diagrams	Part Name
		Transistor
		Transistor with resistor
		Field effect transistor
		Resistor array
		3-terminal regulator

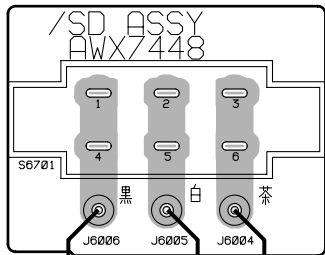
3. The parts mounted on this PCB include all necessary parts for several destination. For further information for respective destinations, be sure to check with the schematic diagram.

4. Viewpoint of PCB diagrams



3.1 /SD ASSY

ZF /SD ASSY



(ANP7308-C)

V J6006 J6005 J6004

SIDE A