

Service Manual

ORDER NO.
RRV2750

AUDIO/VIDEO MULTI-CHANNEL RECEIVER

VSX-D912-K VSX-D912-S

THIS MANUAL IS APPLICABLE TO THE FOLLOWING MODEL(S) AND TYPE(S).

Model	Type	Power Requirement	The voltage can be converted by the following method.
VSX-D912-K	FXJI	AC110V/120-127V/220V/240V	With the voltage selector
VSX-D912-S	FXJI	AC110V/120-127V/220V/240V	With the voltage selector

● This service manual should be used together with the following manual(s):

Model No.	Order No.	Remarks
VSX-D912-S/MYXJIEW	RRV2745	

● For SPECIFICATIONS and PANEL FACILITIES, refer to the operating instructions.

CONTENTS

1. CONTRAST OF MISCELLANEOUS PARTS	2
2. SCHEMATIC DIAGRAM	6
3. PCB CONNECTION DIAGRAM	8

1. CONTRAST OF MISCELLANEOUS PARTS

NOTES: ● Parts marked by "NSP" are generally unavailable because they are not in our Master Spare Parts List.

● The \triangle mark found on some component parts indicates the importance of the safety factor of the part.

Therefore, when replacing, be sure to use parts of identical designation.

● Screws adjacent to \blacktriangledown mark on product are used for disassembly.

● Reference Nos. indicate the pages and Nos. in the service manual for the base model.

● For the applying amount of lubricants or glue, follow the instructions in this manual.

(In the case of no amount instructions, apply as you think it appropriate.)

● When ordering resistors, first convert resistance values into code form as shown in the following examples.

Ex.1 When there are 2 effective digits (any digit apart from 0), such as 560 ohm and 47k ohm (tolerance is shown by J=5%, and K=10%).

560 Ω \rightarrow 56×10^1 \rightarrow 561 RD1/4PU $\begin{matrix} 5 & 6 & 1 \\ \hline & & J \end{matrix}$

47k Ω \rightarrow 47×10^3 \rightarrow 473 RD1/4PU $\begin{matrix} 4 & 7 & 3 \\ \hline & & J \end{matrix}$

0.5 Ω \rightarrow R50 RN2H $\begin{matrix} R & 5 & 0 \\ \hline & & K \end{matrix}$

1 Ω \rightarrow 1R0 RS1P $\begin{matrix} 1 & R & 0 \\ \hline & & K \end{matrix}$

Ex.2 When there are 3 effective digits (such as in high precision metal film resistors).

5.62k Ω \rightarrow 562×10^1 \rightarrow 5621 RN1/4PC $\begin{matrix} 5 & 6 & 2 & 1 \\ \hline & & & F \end{matrix}$

■ CONTRAST TABLE

VSX-D912-K/FXJI, VSX-D912-S/FXJI and VSX-D912-S/MYXJIEW are constructed the same except for the following :

Ref. No.	Mark	Symbol and Description	Part No.			Remarks
			VSX-D912-S /MYXJIEW	VSX-D912-K /FXJI	VSX-D912-S /FXJI	
P9-1		PCB ASSEMBLIES MAIN ASSY	XWK3101	XWK3104	XWK3104	
P9-3	NSP	AMP&PS ASSY	XWK3086	XWK3087	XWK3087	No. 1
P9-8		└ AMP&PRIMARY ASSY	XWZ3670	XWZ3671	XWZ3671	
		└ TRANS 1 ASSY	XWZ3681	Not used	Not used	
		└ VOLTAGE SELECT SW ASSY	Not used	XWZ3689	XWZ3689	
P9-9	NSP	COMPLEX ASSY	XWK3081	XWK3080	XWK3080	No. 2
P9-11		└ VIDEO ASSY	XWZ3647	XWZ3646	XWZ3646	
		└ BOARD TO BOARD ASSY	XWZ3665	XWZ3664	XWZ3664	
		└ COMPONENT ASSY	Not used	XWZ3661	XWZ3661	
P9-17		FM/AM TUNER MODULE	AXQ7232	XXQ3003	XXQ3003	
P7-2	NSP	PACKING SECTION Warranty Card	ARY7065	Not used	Not used	Accessories
P7-5		Operating Instructions (English/Italian)	XRE3070	Not used	Not used	
P7-5		Operating Instructions (English/Chinese/Spanish)	Not used	XRE3071	XRE3071	
P7-6		Remote Control Unit	XXD3054	XXD3053	XXD3053	
P7-12		Packing Case	XHD3334	XHD3345	XHD3346	
P7-16		Operating Instructions (Dutch/Spanish)	XRC3081	Not used	Not used	
P7-17		Operating Instructions (French/German)	XRC3082	Not used	Not used	
		Caution 220V Label	Not used	ARR1003	ARR1003	
	\triangle	AC Power Cord	Not used	ADG7062	ADG7062	
	\triangle	AC Power Cord J Shape Plug	Not used	XDG3014	ADG7076	
	\triangle	AC Plug Adapter	Not used	AKX7008	AKX7008	
	\triangle		Not used	AKX7011	Not used	
P9-20	\triangle	EXTERIOR SECTION Power Transformer (AC220-230V)	XTS3063	Not used	Not used	Accessories
P9-20	\triangle	Power Transformer (AC110V/120-127V/220V/230V)	Not used	XTS3049	XTS3049	
P9-18	\triangle	Fuse (FU1 : T3.15A)	REK1027	Not used	Not used	
P9-18	\triangle	Fuse (FU1 : T6.3A)	Not used	REK1030	REK1030	
P9-21	\triangle	AC Power Cord	VDG1080	Not used	Not used	
P9-22		Cord Stopper	CM-22B	Not used	Not used	
P9-44		Rear Panel	XNC3196	XNC3200	XNC3200	
P9-45		Bonnet	XZN3127	XZN3126	XZN3127	
P9-50	NSP	N Label	XAL3173	XAL3174	XAL3170	

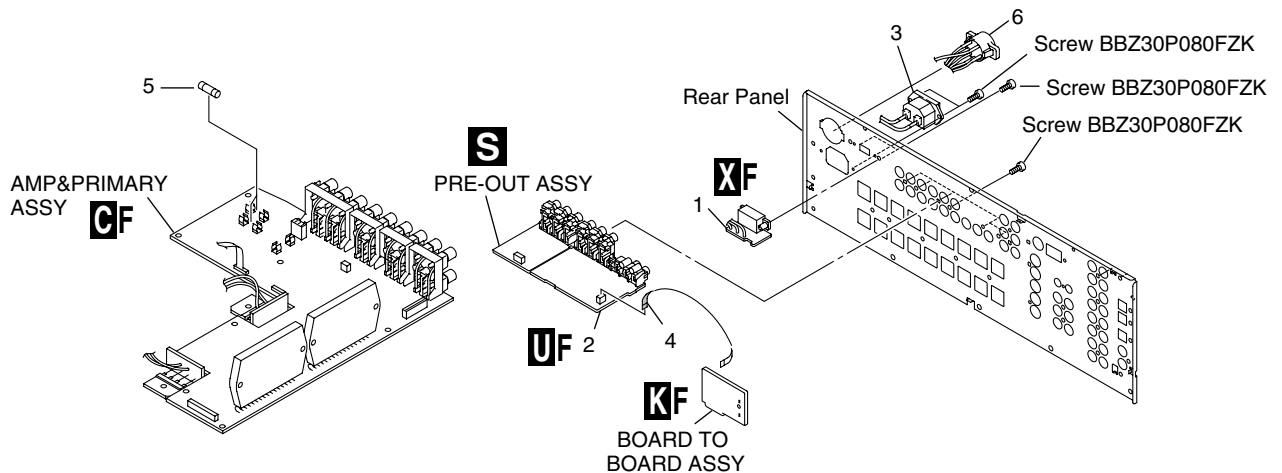
Ref. No.	Mark	Symbol and Description	Part No.			Remarks
			VSX-D912-S /MYXJIEW	VSX-D912-K /FXJI	VSX-D912-S /FXJI	
P9-56	NSP △	Screw	BPZ30P080FNI	BPZ30P080FZK	BPZ30P080FNI	No. 3
P9-57		Screw	FBT40P080FNI	FBT40P080FZK	FBT40P080FNI	
P9-61		Fuse Card	AAX7493	XAX3218	XAX3218	
P9-62		Screw	BBT30P100FCC	BBZ30P080FZK	BBZ30P080FZK	
		AC Inlet Assy	Not used	ADX7395	ADX7395	
		J38 5P F.F.C/30V	Not used	XDD3104	XDD3104	
	△	Fuse (FU2, FU3 : T3.15A)	Not used	REK1027	REK1027	No. 4 No. 5
	△	Voltage Selector	Not used	AKX-507	AKX-507	No. 6
FRONT PANEL SECTION						
P11-7		Pioneer Badge	VAM1124	AAN7218	VAM1124	
P11-8		Select Knob	XAB3037	XAB3023	XAB3037	
P11-9		Volume Knob	XAB3036	XAB3025	XAB3036	
P11-11		FRT Panel	XNB3001	XNB3002	XNB3004	
P11-12		BN Cover	XAK3353	XAK3354	XAK3381	
P11-14		Cushion	XED3002	XED3001	XED3002	
P11-16		Panel Stay	XMB3108	XMB3117	XMB3108	
P11-21		Door	XAK3357	XAK3356	XAK3357	
P11-22		Door Cover	XAK3359	XAK3358	XAK3359	

Notes : ●The numbers in the remarks column correspond to the numbers on the “EXPLODED VIEWS”.

- For PCB ASSEMBLIES, Refer to “CONTRAST OF PCB ASSEMBLIES”, “PCB PARTS LIST”, “2. SCHEMATIC DIAGRAM” and “3. PCB CONNECTION DIAGRAM”.

EXPLODED VIEWS

EXTERIOR SECTION



■ CONTRAST OF PCB ASSEMBLIES

A **AF MAIN ASSY**

XWK3104 and XWK3101 are constructed the same except for the following :

Mark	Symbol and Description	Part No.		Remarks
		XWK3101	XWK3104	
	IC5001	BU1924F	Not used	
	Q5002	2SC3326	Not used	
	Q5003	DTC143EK	Not used	
	Q5004	2SA1037K	Not used	
	L5001	LFEA2R2J	Not used	
	C5008	CKSRYB472K50	Not used	
	C5009	CEAT1R0M50	Not used	
	C5011	CEAT2R2M50	Not used	
	C5013, C5014	CCSRCH270J50	Not used	
	C5015	CEAT101M10	Not used	
	C5016	CKSRYB102K50	Not used	
	C5017	CCSRCH561J50	Not used	
	R5009, R5012, R5013	RS1/16S102J	Not used	
	R5010	RS1/16S104J	Not used	
	R5011	RS1/16S333J	Not used	
	R5014	RS1/16S473J	Not used	
	R5015	RS1/16S222J	Not used	
	R9026	RS1/16S332J	RS1/16S751J	
	X5001 CRISTAL RESONATOR (4.332MHz)	ASS7004	Not used	

C **CF AMP & PRIMARY ASSY**

XWZ3671 and XWZ3670 are constructed the same except for the following :

Mark	Symbol and Description	Part No.		Remarks
		XWZ3670	XWZ3671	
	Q701	2SD1859X	2SC4793D1	
	Q702	2SB1238X	2SA1837D1	
	R707, R708	RD1/4PU124J	RD1/4PU104J	
	H53-H56 FUSE CLIP	Not used	AKR7001	
	53 TERMINAL 3P	Not used	AKC-081	
	J11 BOARD IN JUMPER WIRED	Not used	DB215NB0	
	J12 BOARD IN JUMPER WIRED	Not used	DB815NB0	
	J13 BOARD IN JUMPER WIRED	Not used	DB015NB0	
	T51 STANDBY TRANSFORMER	ATT7040	ATT7041	

D **DF VIDEO ASSY**

XWZ3646 and XWZ3647 are constructed the same except for the following :

Mark	Symbol and Description	Part No.		Remarks
		XWZ3647	XWZ3646	
△	R313, R316	RS3LMF560J	RS3LMF390J	

E **KF BOARD TO BOARD ASSY**

XWZ3664 and XWZ3665 are constructed the same except for the following :

Mark	Symbol and Description	Part No.		Remarks
		XWZ3665	XWZ3664	
	CN392 5P CONNECTOR	Not used	52045-0545	

WF FM/AM TUNER MODULE

XXQ3003 and AXQ7232 are constructed the same except for the following :

Mark	Symbol and Description	Part No.		Remarks
		AXQ7232	XXQ3003	
	C216, C217 R218, R219	CKSRYB103K50 RS1/16S681J	CKSRYB123K50 RS1/16S102J	

PCB PARTS LIST

Mark	No.	Description	Part No.
------	-----	-------------	----------

UF COMPONENT ASSY

SEMICONDUCTORS

IC552		NJM2581M
IC551		TC74HC4053AF
D551, D552		1SS355

CAPACITORS

C551-C554		CEAT101M10
C555-C562, C566, C568		CKSRYB103K50

RESISTORS

All Resistors		RS1/16S###J
---------------	--	-------------

OTHERS

CN551 5P CONNECTOR		52045-0545
JA553 3P RCA PINJACK		AKB7124
JA551 6P RCA PINJACK		AKB7128

XF VOLTAGE SELECT SW ASSY

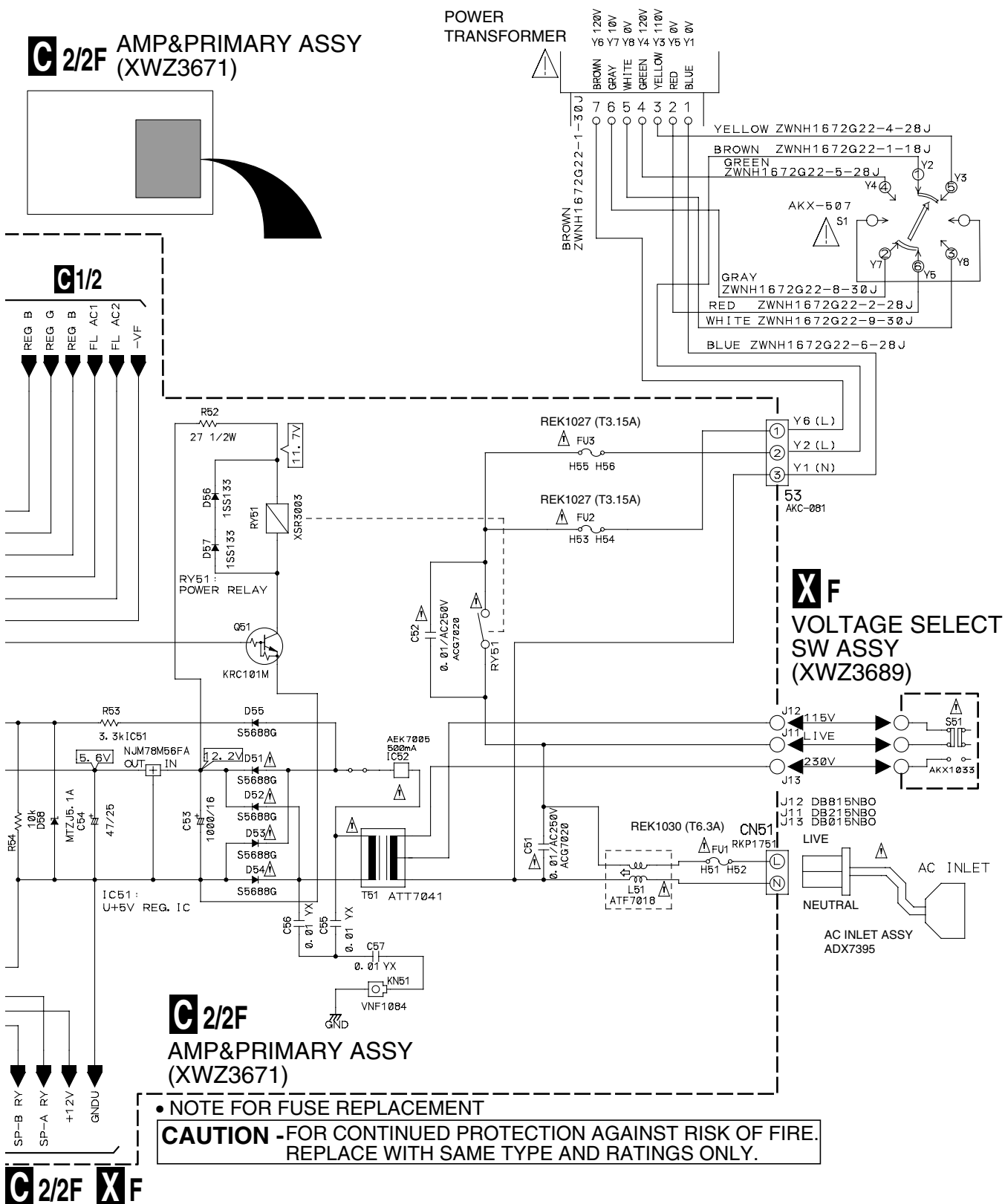
SWITCHES AND RELAYS

△ S51	VOLTAGE SELECTOR	AKX1033
-------	------------------	---------

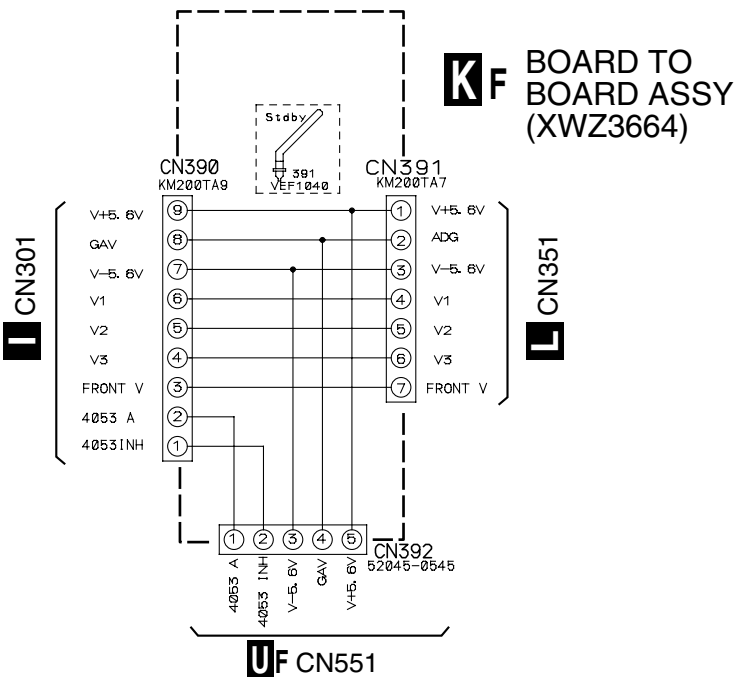
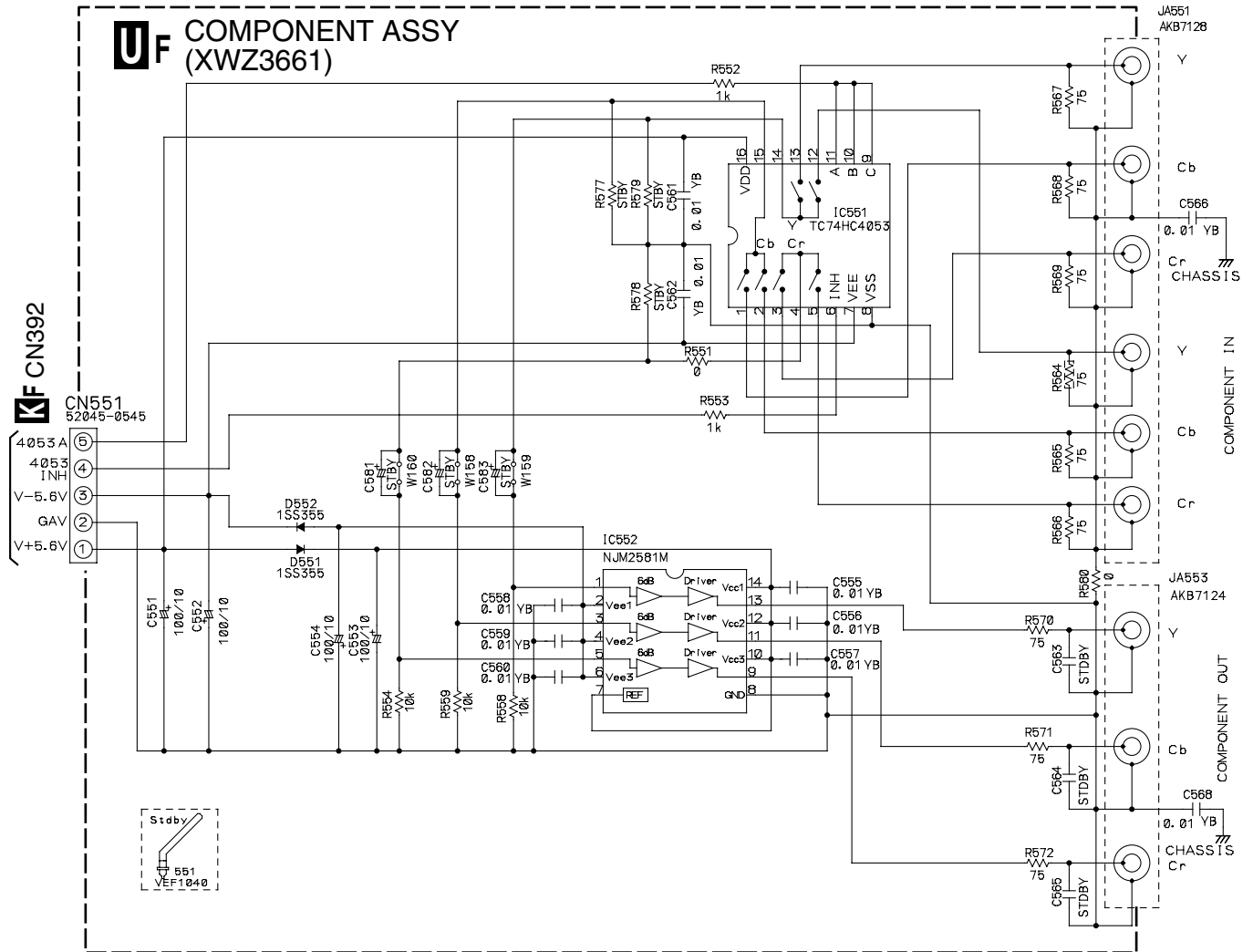
2. SCHEMATIC DIAGRAM

Note : When ordering service parts, be sure to refer to "EXPLODED VIEWS and PARTS LIST" or "PCB PARTS LIST"

2.1 AMP&PRIMARY and VOLTAGE SELECT SW ASSYS



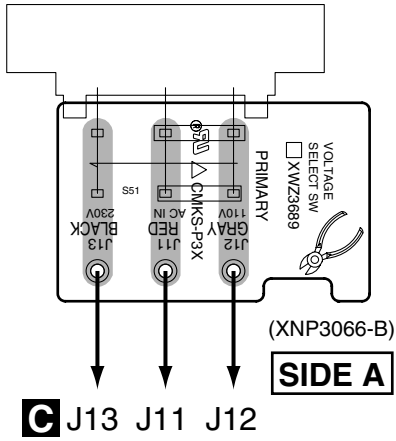
2.2 BOARD TO BOARD and COMPONENT ASSYS



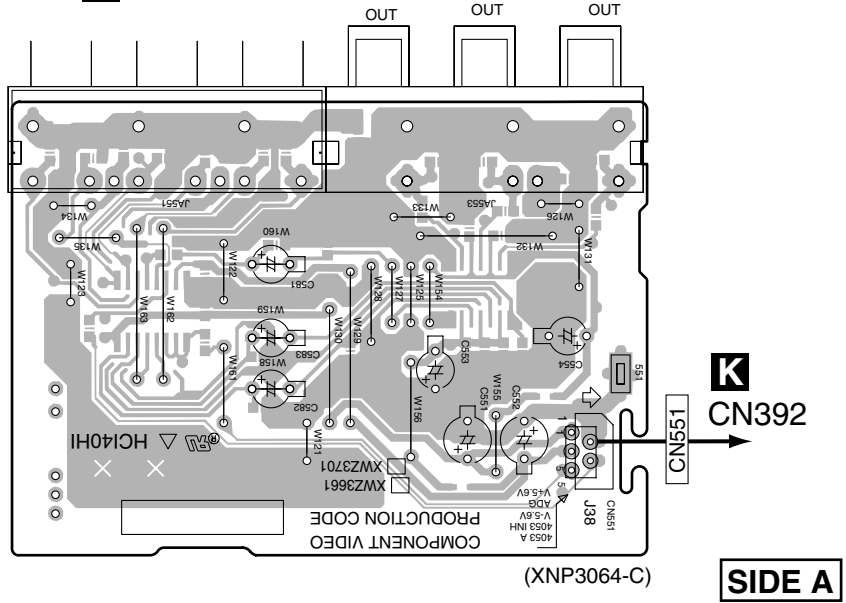
3. PCB CONNECTION DIAGRAM

3.1 COMPONENT and VOLTAGE SELECT SW ASSYS

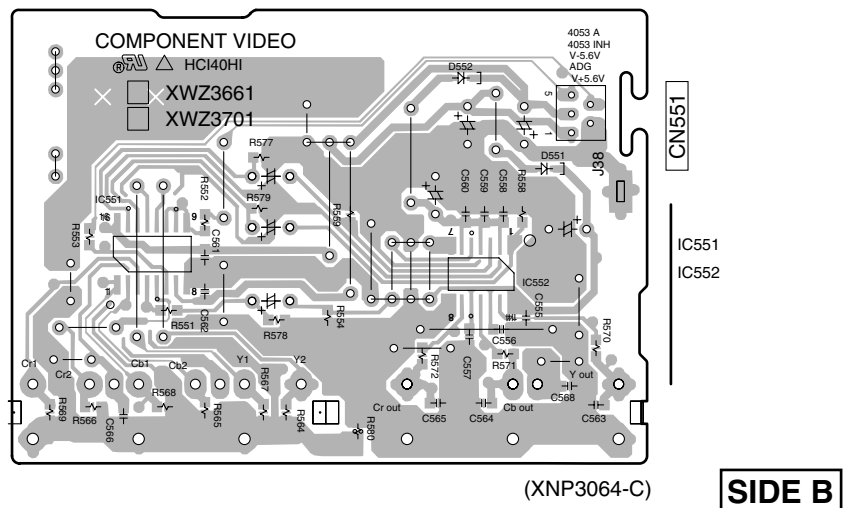
X F VOLTAGE SELECT SW ASSY



U F COMPONENT ASSY



U F COMPONENT ASSY



U F X F

U F X F