

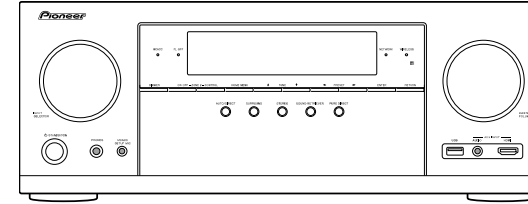
**Pioneer**

# Service Manual

AV RECEIVER

# VSX-1131

# VSX-LX301



VSX-1131

ORDER NO.  
**ARP4006**

THIS MANUAL IS APPLICABLE TO THE FOLLOWING MODEL(S) AND TYPE(S).

Model	Type	Power Requirement	Remarks
VSX-1131(B)	MDC	AC 120V	
VSX-1131(B)	MMP	AC 220V to 240V	
VSX-1131(S)	MMP	AC 220V to 240V	
VSX-1131(B)	MMB	AC 220V to 240V	
VSX-1131(B)	MMA	AC 220V to 240V	
VSX-1131(B)	MDF	AC 120V	
VSX-LX301(B)	MDC	AC 120V	



# How to read suffix code of this model

## Note for suffix code

The following is explanation for the suffix code.

The suffix code of each model is mentioned in serial number label as per below.

**V S X - 5 3 1 ( B ) W M P**

Model No.



Color	
Black	B
Brown	BR
Cherry	C
Gold	G
Green	GR
Gray	H
Black	K
Blue	L
Light Blue	LB
Wood	M
Orange	O
Pink	P
Red	R
Silver	S
Violet	V
White	W
Yellow	Y

Production factory	
Malaysia	M
China	C
Japan	U
Others	W

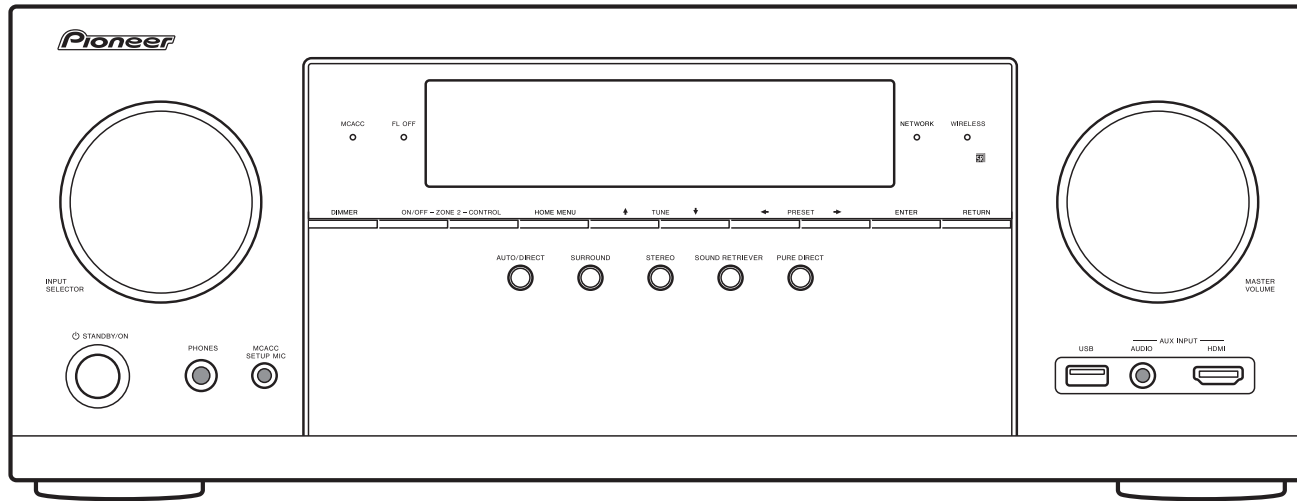
Voltage	
120V AC	D
220~230V	G
220~230/240V	H
100V AC	J
220~240V AC	M
230V AC	P
100~240V AC	U
110~240V	V
120V/220~240V	W
Speaker System (without AMP.):	
Passive Subwoofer	0
Front Speaker	F
Center Speaker	C
Rear Speaker	R
Back Speaker	B

Destination	
Australia	A ← PP
United Kingdom	B ← GB
North American	C ← UC
USA	D ← UC
Taiwan	F ← TA
Japan	J ← JP
Korea	K ← KA
Russia	L ← ER
Europe	P ← YY
Hong Kong	Q ← HK
China	R ← CN
Brazil	S ← CS
Thai	T ← LE
Worldwide	U ← WL
Speaker System (without AMP.):	
Left channel	L
Right channel	R
Center channel	0

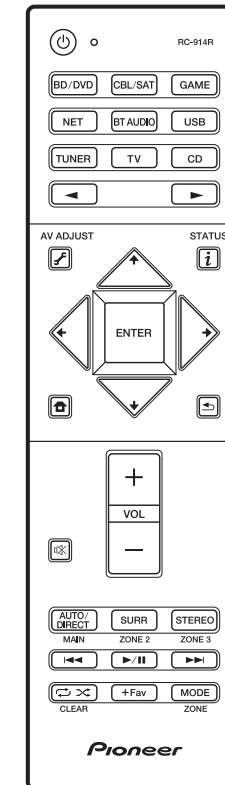
To select parts list as substitute symbol.

## COMMON

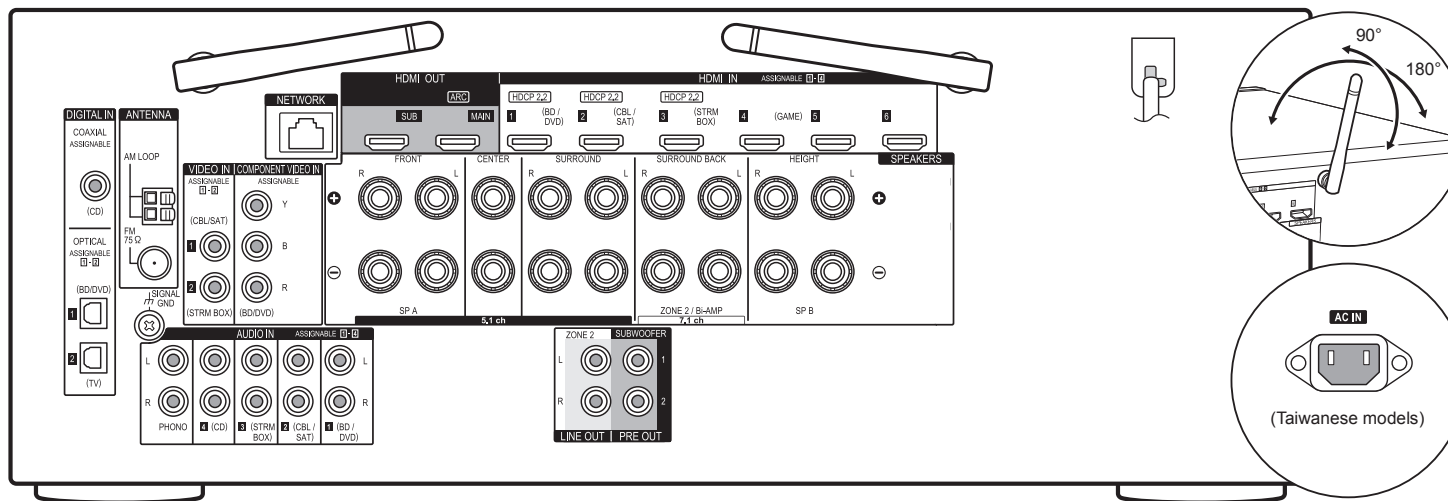
Front Panel



Remote Control Unit  
RC-914R



Rear Panel

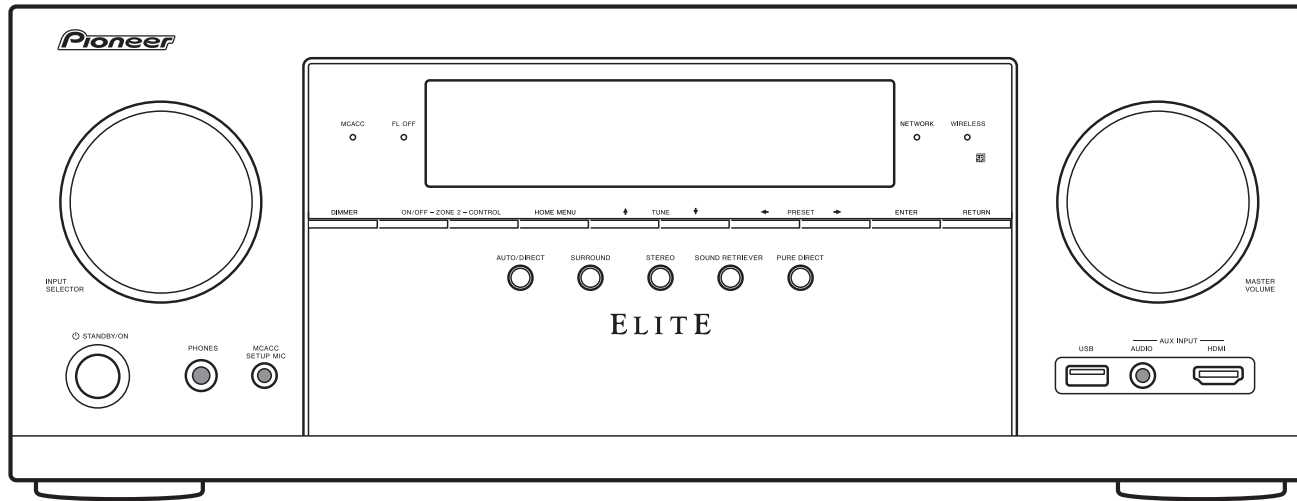


Accessories

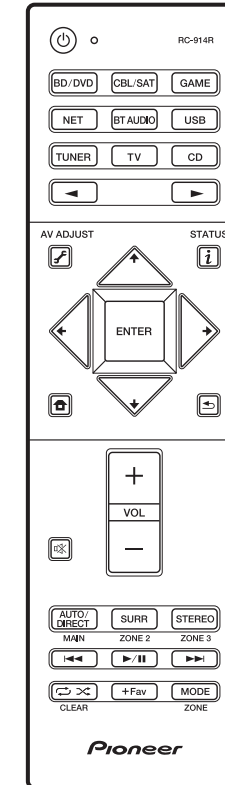
1. Remote controller (RC-914R) ×1
- Batteries (AAA/R03) ×2 (Except MMR type)
2. Indoor FM antenna ×1
3. AM loop antenna ×1
4. Speaker setup microphone ×1
5. Power cord ×1
6. FM Isolator x1 (MMR type only)

Dimensions : 435 mm (W) x 173 mm (H) x 371 mm (D), 17-1/8" × 6-30/37" × 14-20/33"  
Weight (without package) : 10 kg (22 lbs.)

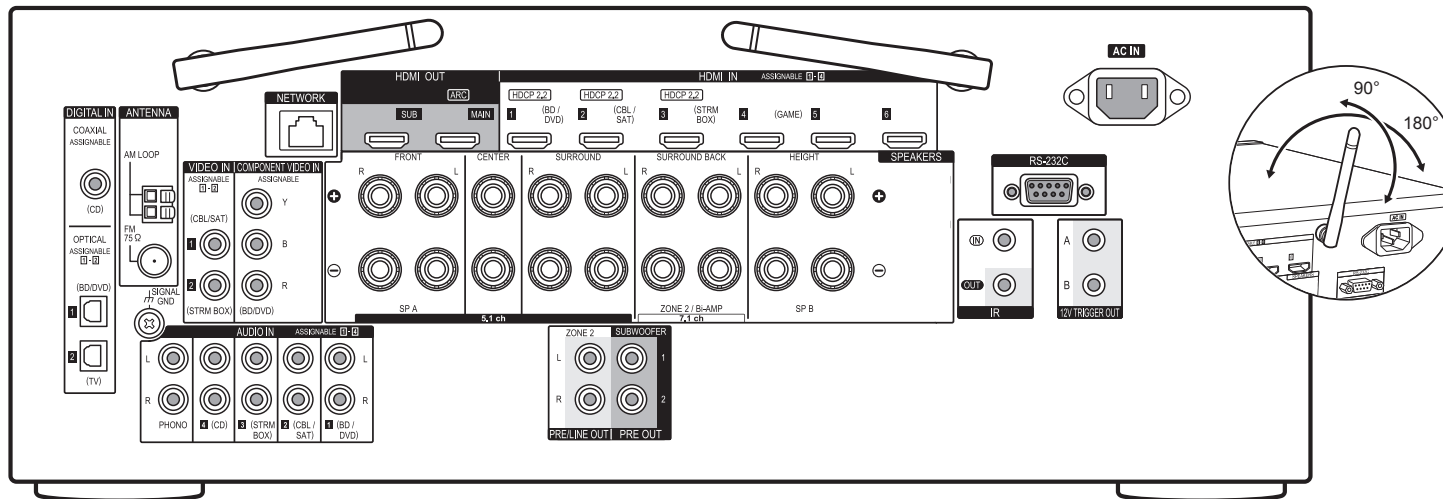
Front Panel



Remote Control Unit  
RC-914R



Rear Panel



Accessories

1. Remote controller (RC-914R) ×1  
Batteries (AAA/R03) ×2
2. Indoor FM antenna ×1
3. AM loop antenna ×1
4. Speaker setup microphone ×1
5. Power cord ×1

Dimensions : 435 mm (W) x 173 mm (H) x 371 mm (D), 17-1/8" x 6-30/37" x 14-20/33"  
Weight (without package) : 10 kg (22 lbs.)

# How to Reset the Unit

## Reset

### Step1. STORE (To save user preferences.)

While pressing [HOME MENU] button, press [ENTER] button twice.

### Step2. RESET

While pressing [AUTO DIRECT] button, press [STANDBY/ON] button.

※) "Clear" appears on the display and the unit returns to standby. Do not unplug the power cord until "Clear" disappears from the display.

### Step3. RECALL (To load user preferences.)

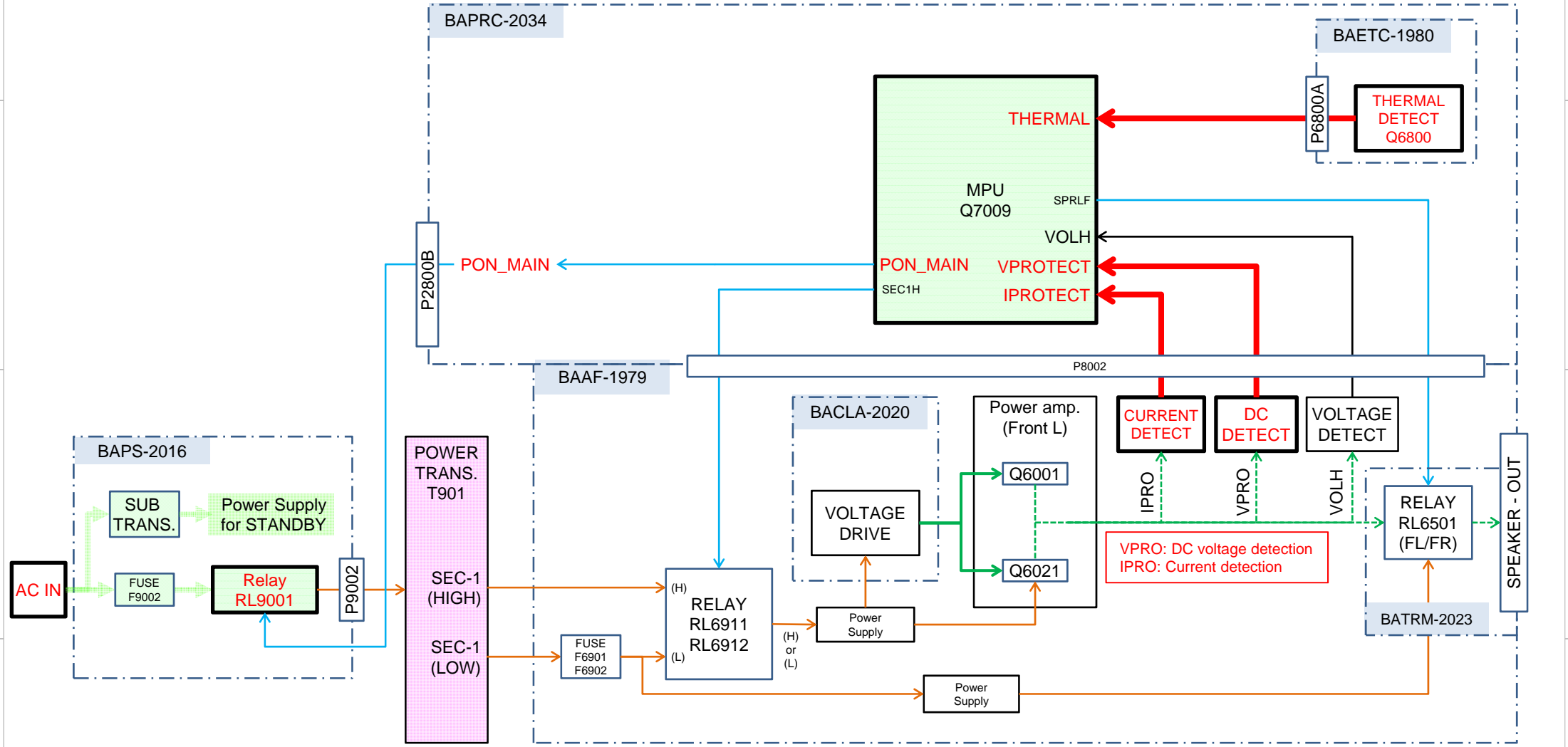
While pressing [HOME MENU] button, press [RETURN] button twice.

Standard Knob Position ( S.K.P. )	
Master Volume Control	-42dB
Input Selector	BD/DVD
Muting	Off
Listening Mode	Ext.Stereo
Subwoofer	Yes
Front Left Level	0 dB
Front Right Level	0 dB
Center Level	0 dB
Left Surround Level	0 dB
Right Surround Level	0 dB
Subwoofer Level	0 dB

# Protect Mode

# Amp Diag Mode after Abnormal Conditions

The unit goes into standby automatically when detect the abnormal condition of thermal detection, dc voltage detection or current detection. (e.g. VSX-831 block diagram below)



# Self-diagnostics

This function is for avoiding the rupture of electrolytic capacitors with amplifier circuit failure during power-ON.

## Operation of Self-diagnostic

Self-diagnostic will start at the timing of next power on, after goes to the protect mode by Current detection or DC voltage detection.

Only On/Standby key could work in this mode. Also remote control does not work. However, the CLEAR operation is enabled.

During Self-diagnostic, the power supply for amplifier circuit become low voltage state(SEC1-LOW), and the speaker relay will be turned off. Then, MPU will check each amplifier circuits Internally by entering the test signal (20 kHz,-20 dBFS sine wave) to each channel from DSP.

MPU will judge the amplifier circuit is good or not from VOLH value.

The normal range of VOLH value is  $0.04\text{ V} < \text{VOLH} < 0.20\text{ V}$ .

If VOLH value is in the out of this range, it will be judged as NG (No good).

## No problem found

When protected by current detection, and no problem found, "CHECK SP WIRE" will be displayed. In this State, Only the On/Standby key is effective. And if do not anything for 3 minutes, unit goes into standby automatically.

When protected by a DC voltage detection, and no problem found, unit goes into normal operation.

## Problem found

When judged as there is a problem on any channel, the information of channel that has a problem will be displayed as in the right figure.

In this State, Only the On/Standby key is effective. Also remote control does not work. If do not anything for 3 minutes, unit goes into standby automatically. This state will keep also after unit turn on/off, or AC unplugged.

the power supply for amplifier circuit become low voltage state(SEC1-LOW), and the speaker relay will be turned off.

# Amp Diag Mode after Abnormal Conditions

Display of during Self-diagnostics

2 Line FL tube type

A	M	P		D	i	a	g		M	o	d	e	

1 Line FL tube type

A	M	P		D	i	a	g		M	o	d	e	
---	---	---	--	---	---	---	---	--	---	---	---	---	--

"Mode" This part display the channel which is currently checked. (E.g. "[FL]", etc.)

Display of when problem found

2 Line FL tube type

N	G		C	H	:								
			L	C	R	S	L	S	R	B	L	B	R

1 Line FL tube type

N	G	:	L	C	R	S	L	S	R	B	L	B	R
---	---	---	---	---	---	---	---	---	---	---	---	---	---

- L** → Front L channel      **S L** → Surround L channel
- C** → Center channel      **S R** → Surround R channel
- R** → Front R channel      **B L** → Surround back L channel
- B R** → Surround back R channel

# Repair Process and How to Confirm

## Confirmation of the protect cause

While NG channel is displayed, You can confirm the protect cause by following the step below.

1. Press the Enter button
2. The protect cause are displayed for 5 seconds.

Please check the around of those amplifier circuit and repair it.

## Clear of NG CH information

After repair, you can clear NG CH information by following the steps below.

1. Press the On/Standby key while pressing the Enter key.
2. Display as in the right figure appears.
3. Unit goes into Standby automatically after 5 seconds.

Self-diagnostic will start again at the timing of next power on.

By this, You can verify whether repair was properly or not.

If problem found after repair, please re-check the around of its circuit.

## Cancel of Self-diagnostic

You can cancel this mode by clear operation (press Standby key while pressing AUTO/DIRECT key). After cancel this mode, receiver will be started as normal operation.

## Manual Execution of Self-diagnostic

1. [DIMMER] + [ON/STANDBY] x 2  
Main Firmware Version will appear on the main unit's display.
2. [HOME MENU]  
[Service information](#) will appear on the main unit's display
3. [ENTER]  
Display as in the right figure appears.
4. [STANDBY/ON]  
Unit will go into standby.
5. [STANDBY/ON]  
Unit will turn on. Then self-diagnostic will start automatically.

# Amp Diag Mode after Abnormal Conditions

## Protected by current detection

D E T . P R O T E C T : I

## Protected by DC Voltage detection

D E T . P R O T E C T : V

## Clear of NG CH information

N G C H C L E A R

## Manual Execution of Self-diagnostic

A M P D I A G T E S T O N



# How to check model and destination

### Step1 :

Set VOL Level = -42

### Step2 :

[ List-D(※) ] + [ ON/STANDBY ] → [ DIMMER ] → [ List-B(※) ] x 5

※) Refer to [Model List](#).

Model Name	Destination	FL Display											
		8	3	1					D	C	2	0	0
VSX-831	DC	8	3	1				D	C	2	0	0	0
VSX-831	xx	8	3	1				x	x	2	0	1	0
VSX-831	xA	8	3	1				x	A	2	0	4	0
VSX-831	xR	8	3	1				x	R	2	0	5	0
VSX-831	JJ	8	3	1				J	J	2	0	2	0
VSX-LX101	DC	L	X	1	0	1		D	C	3	0	0	0
VSX-LX101	DF	L	X	1	0	1		D	F	3	0	3	0
VSX-1131	DC	1	1	3	1			D	C	2	1	0	0
VSX-1131	DF	1	1	3	1			D	F	2	1	3	0
VSX-1131	xx	1	1	3	1			x	x	2	1	1	0
VSX-1131	xA	1	1	3	1			x	A	2	1	4	0
VSX-1131	xR	1	1	3	1			x	R	2	1	5	0
VSX-LX301	DC	L	X	3	0	1		D	C	3	1	0	0

This list is MCU internal value,  
And The destination code of this list,  
it is different from Wi-Fi 5GHz setting Destination Code

**IMPORTANT!!****Back Ground:**

It is totally different from Radio Law at the each country on 5GHz band.  
It means it is totally different from enabled Channel of 5GHz band at the each country.  
We define the "[Country Code](#)" for 5GHz band.

**You must set up the appropriate country code to the product.**

**Example;****Case1:**

When you use the "P" destination products and bring move to Russia or Israel,  
If you did not setup change country code and use in Russia and Israel,  
You will be on the illegal Radio Law in Russia and Israel.

**Case2;**

When you use "C" or "D" destination product bring move to Japan or Taiwan,  
If you did not setup change country code and use in Japan and Taiwan,  
You will be on the illegal Radio Law in Japan and Taiwan.

**Service Parts information:**

The default country code is set on "Processing Circuit Board(PRC board)".  
You must make sure and set up the "Country Code" when you replace the processing circuit pc board ( i.e. BAPRC-2034 ).

Otherwise You and your customer should be on the illegal Radio Law and

**IT HAS POSSIBILITY TO HAVE A RISK OF  
PUNISHMENT FROM EACH COUNTRY GOVERNMENT.**

If you did not make sure country code and no setup code and face any trouble,  
We does not have any responsibility.

For setting up the [Country Code](#),

**Please ask the procedure of changing country code  
to your distributor or our sales.**

It is no described the procedure of changing [Country Code](#) on this Service Manual

If you have any trouble of unclear procedure for update country code,  
Please contact our sales department.

**PRC Board Default Value of Country Code**

The PRC board is already set default Country Code by the representative destination.  
To confirm the default country code, Please refer to the "[How to read PRC Board part number and Default value of Country Code](#)" section.

**IMPOTANT!!**

**Make sure and Setup Country Code**

You have to make sure country code for using or replacing "Processing Circuit PC Board".

It means that you have to make sure country code between using Processing Circuit PC board( PRC Board) and your customer's country code.

When it is not match PRC board default country code and customer's country, you have to setup Country Code.

**Case3;**

When you repair the "P" destination products and replace "P" destination PRC Board and the customer live in UK, It is no necessary to setup Country Code

Because "P" destination PRC board already setup "EU" country code.



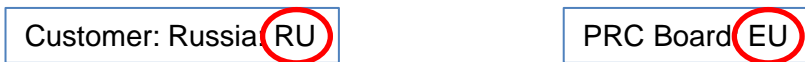
Match Country code  
**NO NECESSARY TO SETUP COUNTRY CODE**

**Case4;**

When you repair the "P" destination products and replace "P" destination PRC board and the customer live in Russia, It is necessary to setup Country Code

Because "P" destination PRC Board already setup "EU" country code.

However, the customer's country code is "RU". It means no match PRC Board code and Customer's code.



No Match Country code  
**NECESSARY TO SETUP COUNTRY CODE**

**Case5;**

When you repair the "C" destination products and replace "C" destination PRC board and the customer live in US, it is no necessary to setup Country Code

Because "C" destination PRC board already setup "US" country code.



Match Country code  
**NO NECESSARY TO SETUP COUNTRY CODE**

**Case6;**

When you repair the "C" destination product and replace "C" destination PRC board and the customer live in Taiwan, It is necessary to setup Country Code.

Because "C" destination PRC Board already setup "US" country code as default.

However, the customer's country code is "TW". It means no match PRC Board code and the customer's country code



No Match Country code  
**NECESSARY TO SETUP COUNTRY CODE**

Region	Country	Code
America	USA	US
	Canada	US
	Mexico	US
	Brazil	US
	Chile	CL
	Guatemala	US
	Puerto Rico	US
	Trinidad	TT
	Dominican Rep	US
	Argentina	AR
	Ecuador	US
	Paraguay	US
	Colombia	US
	Guam	US
	Panama	US
	Costa Rica	US
	Uruguay	US
Peru	US	

Region	Country	Code
Asia / Oceania	Japan	JP
	China	CN
	Hong Kong	EU
	Korea	KR
	Taiwan	TW
	Singapore	SG
	Malaysia	MY
	Philippines	EU
	Vietnam	EU
	Indonesia	ID
	Sri Lanka	EU
	Australia	AU
	New Zealand	AU
	Thailand	EU
	India	IN
	Pakistan	PK

Region	Country	Code
Middle East	UAE	EU
	Bahrain	BH
	Kuwait	KW
	Oman	EU
	Qatar	QA
	Lebanon	EU
	Jordan	JO
	Saudi Arabia	EU

Region	Country	Code
Europe / Africa	Germany	EU
	UK	EU
	France	EU
	Netherlands	EU
	Italy	EU
	Switzerland	EU
	Denmark	EU
	Sweden	EU
	Austria	EU
	Belgium	EU
	Spain	EU
	Norway	EU
	Finland	EU
	Czech	EU
	Israel	IL
	Ukraine	EU
	Hungary	EU
	Slovakia	EU
	Luxembourg	EU
	Turkey	EU
	Portugal	EU
Malta	EU	
Latvia	EU	
Poland	EU	

Region	Country	Code
Europe / Africa	Cyprus	EU
	Estonia	EU
	Slovenia	EU
	Bulgaria	EU
	Greece	EU
	Romania	EU
	Lithuania	EU
	Serbia	EU
	Croatia	EU
	Ireland	EU
	Macedonia	EU
	Moldova	EU
	Russia	RU
	Andorra	EU
	Armenia	EU
	Azerbaijan	EU
	Belarus	EU
	Bosnia and Herzegovina	EU
	Northern Cyprus(Turkey)	EU
	Georgia	EU
	Iceland	EU
	Kazakhstan	EU

Region	Country	Code
Europe / Africa	Liechtenstein	EU
	Monaco	EU
	Montenegro	EU
	San Marino	EU
	Vatican City	EU
	Kosovo	EU
	Kaliningrad(Russia)	RU
	Gibraltar(UK)	EU
	Canary Islands(Spain)	EU
	Ceuta	EU
	Melilla	EU
	Morocco	MA
	Algeria	EU
	Tunisia	TN
	Egypt	EG
	Mauritius	US
South Africa	EU	

# How to read PRC Board part number and Default value of Country Code

1B5142034-1J831MDC

Board No.

Suffix No.

Model Number Last 3 Digit	
831	: VSX-831
101	: VSX-LX101
131	: VSX-1131
301	: VSX-LX301

Destination		
PRC Board Default setting Country Code		
Dst	Code	Main Country
C	US	North America
D	US	United State
S	US	Brazil
P	EU	Europe
B	EU	United Kingdom
Q	EU	Hong Kong
T	EU	Thai
L	RU	Russia
A	AU	Australia / New Zealand
R	CN	China
F	TW	Taiwan
K	KR	Korea
J	JP	Japan

# How to check Firmware Version & Preparation of Update

## Firmware

### Step1 : [DIMMER] + [ON/STANDBY] x 2

Main Firmware Version will appear on the main unit's display.

### Step2 : [TUNE +1] ( Push Up Key 1 click)

NET Firmware Version will appear on the main unit's display.

### Step3 : [TUNE +2] (Push Up Key 2 click)

DSP Firmware Version will appear on the main unit's display.

### Step4 : [TUNE +3 ] (Push Up Key 3 click)

Video Firmware Version will appear on the main unit's display.

### Step3 : [TUNE +4] (Push Up Key 4 click)

OSD Firmware Version will appear on the main unit's display.

### Step4 : [TUNE +5 over] (Push Up Key 5 click over)

Return to Display Main Firmware Version ( Return Step1)

When It is rotated left ( - ) TONE knob, It is appeared before step.

### [Preparation of Update]

1. Connect the USB storage device to your PC. If there is any data in the USB storage device, remove it.
2. Download the firmware file (package file) from the service website normally accessed.

Filename is as follows: PIOAVR1020\*\*\*\*\*.zip

Unzip the downloaded file. A following file is created.

PIOAVR1020\*\*\*\*\*.of0

PIOAVR1020\*\*\*\*\*.of1

PIOAVR1020\*\*\*\*\*.of2

PIOAVR1020\*\*\*\*\*.of3

PIOAVR1020\*\*\*\*\*.of4

3. Copy it to the USB storage device. Be careful not to copy the zip file.
4. Remove the USB storage device from your PC.

# How to Update (service mode) 1/2

## Firmware

Overwriting is also possible.

1. Connect the USB storage to the USB port on the unit.



2. Turn on the unit. It takes some time to start after you switch on the unit.  
Press: [DIMMER] + [ON/STANDBY] x 2
3. Press [RETURN] button, Then it is displayed as below



If you need each module of the firmware update, you can select the module by pressing PRESET < and > button.

If you need change source NET or USB, you can select the source by pressing TUNE UP and Down key

It should be updated firmware by selecting USB -> ALL normally.

**Please do NOT choose T-SRV( it is test server)**

- USB -> ALL: ALL firmware update ( default )
- USB -> DSP1: DSP firmware update
- USB -> OSD: OSD firmware update
- USB -> VMPU: VMPU firmware update
- USB -> NET: NET firmware update
- USB -> MMPU: Main MPU firmware update
- USB -> WORK: Compare between AVR and USB, Only update new version firmware

- NET -> ALL: ALL firmware update ( default )
- NET -> DSP1: DSP firmware update
- NET -> OSD: OSD firmware update
- NET -> VMPU: VMPU firmware update
- NET -> NET: NET firmware update
- NET -> MMPU: Main MPU firmware update
- NET -> WORK: Compare between AVR and MMC,  
Only update new version firmware by network

The default setting is " ALL "



**CAUTION: When you will update each module firmware, you have to keep combination of firmware.**



## How to Update (service mode) 2/2

## Firmware

4. Press [ENTER] button. Start update firmware.



5. Wait until update is completed. When the update ends, "Completed!" is displayed. When "Completed!" message appeared, you can power off by pressing "ON/STANDBY" button. (If you leave it, it automatically turns standby mode.)



6. Press [ON/STANDBY] button, and the unit turns on.

7. Check the new FW version number.

<Note>

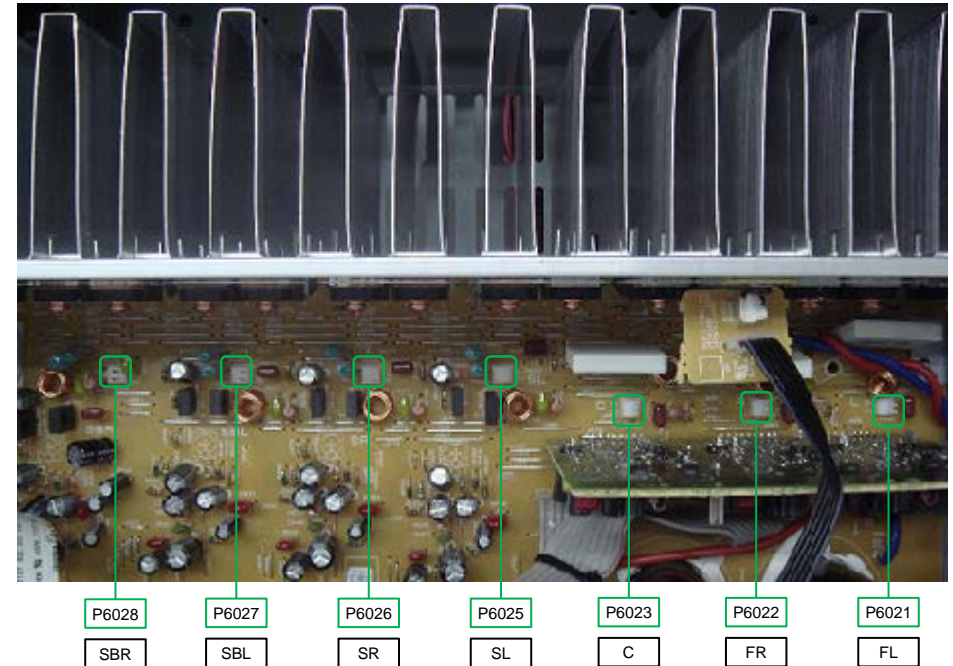
If the procedure might not be successful, please select "USB -> ALL".

## How to Confirm Idling current

The Idling current adjustment is unnecessary.  
 If did the repair of amplifier circuit, please confirm the idling current after 4 ~ 6 minutes heat running. If the measured value are under 1mV or over 21mV , turn off the power of the AVR and check the parts of defect channel again.

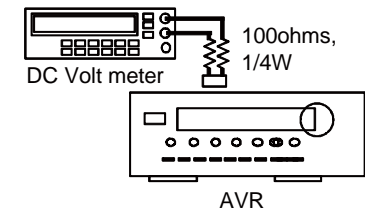
Chanel	Measurement Points	Permissible Range
FL	P6021	1mV ~ 21mV
FR	P6022	
C	P6023	
SL	P6025	
SR	P6026	
SBL*	P6027	
SBR*	P6028	

\*SBL/SBR is not mounted on VSX-831.



\*Heat sink is different by each model.

### Connection

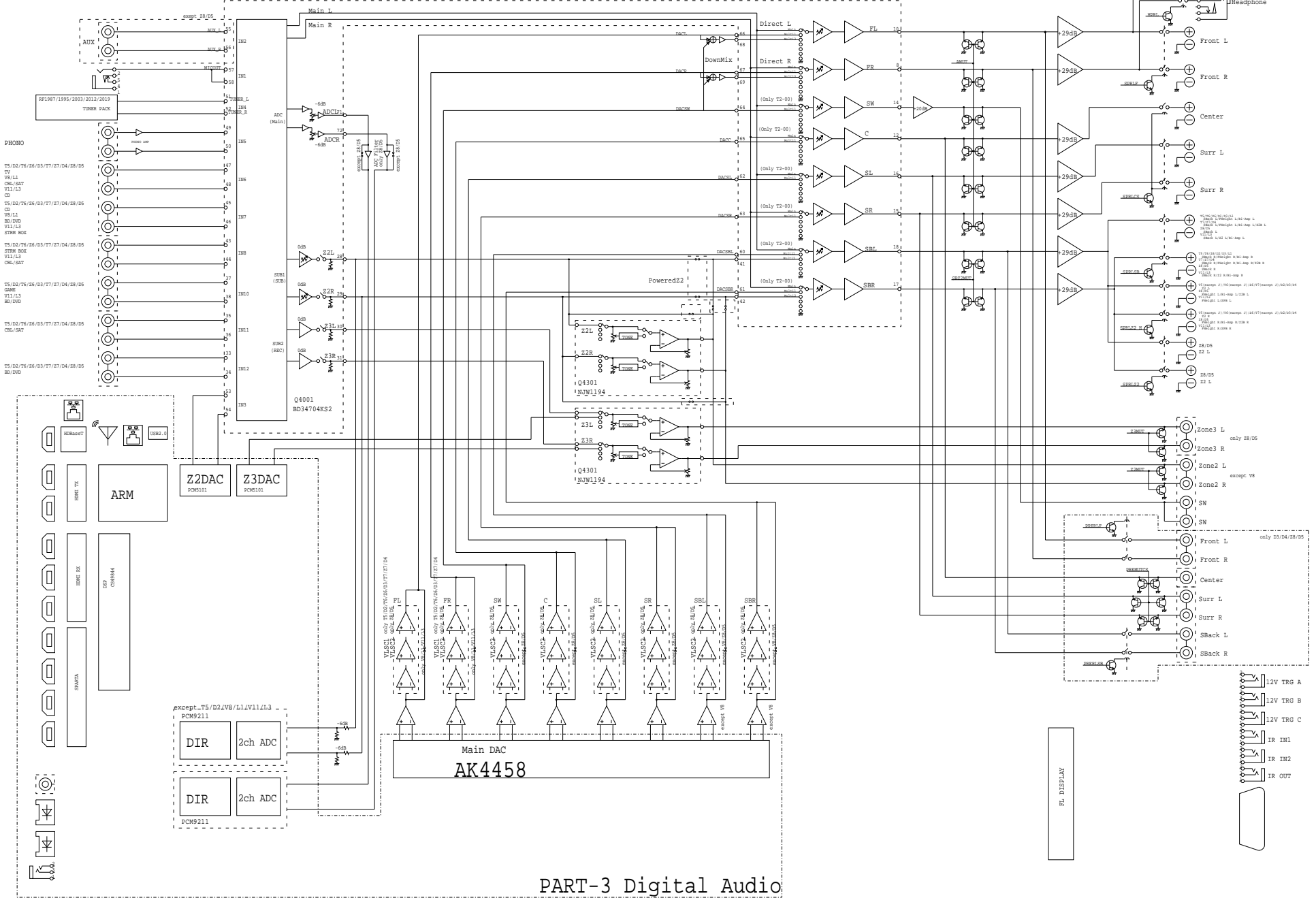


Model No. TX-NR555/656/757, TX-RZ610/710/810, HT-R695, DRX-2/3/4/5  
Schematic Diagram List

PART NO.	FUNCTION	MODEL															
		T5	D2	V8	L1	T6	Z6	D3	V11	L3	T7	Z7	D4	Z8	D5		
	SCHEMATIC DIAGRAM LIST	YES	YES	YES	YES	YES	YES	YES	YES	YES	YES	YES	YES	YES	YES		
PART-1	AUDIO BLOCK	YES	YES	YES	YES	YES	YES	YES	YES	YES	YES	YES	YES	YES	YES		
PART-2	VIDEO BLOCK	YES	YES	YES	YES	YES	YES	YES	YES	YES	YES	YES	YES	YES	YES		
PART-3	DIGITAL AUDIO BLOCK	YES	YES	YES	YES	YES	YES	YES	YES	YES	YES	YES	YES	YES	YES		
PART-4	ASP	YES	YES	YES	YES	YES	YES	YES	YES	YES	YES	YES	YES	YES	YES		
	AMP. POWER	YES	YES	YES	YES	YES	YES	YES	YES	YES	YES	YES	YES	YES	YES		
	THERMAL SENSOR	YES	YES	YES	YES	YES	YES	YES	YES	YES	YES	YES	YES	YES	YES		
	DESTINATION LIST OF AP1979	YES	YES	YES	YES	YES	YES	YES	YES	YES	YES	YES	YES	YES	YES		
PART-5	AMP. CLASS-A	YES	YES	YES	YES	YES	YES	YES	YES	YES	YES	YES	YES	YES	YES		
PART-6	SWITCHING PS	YES	YES	YES	YES	YES	YES	YES	YES	YES	YES	YES	YES	YES	YES		
PART-7	VIDEO+SP_OUT+L2VTRG+IR	YES	YES	YES	YES	YES	YES	YES	YES	YES	YES	YES	YES	YES	YES		
	RS-232C(D2/Z6/D3/L3/T7/Z7/D4/Z8/D5)	YES	YES	YES	YES	YES	YES	YES	YES	YES	YES	YES	YES	YES	YES		
PART-8	DISPLAY(T5/T6/Z6/T7/Z7)	YES	YES	YES	YES	YES	YES	YES	YES	YES	YES	YES	YES	YES	YES		
	HP(T5/T6/Z6/T7/Z7)	YES	YES	YES	YES	YES	YES	YES	YES	YES	YES	YES	YES	YES	YES		
	ZONE/LISTENING MODE SWITCH(T5/T6/Z6/T7/Z7)	YES	YES	YES	YES	YES	YES	YES	YES	YES	YES	YES	YES	YES	YES		
	DISPLAY(D2/D3/D4)	YES	YES	YES	YES	YES	YES	YES	YES	YES	YES	YES	YES	YES	YES		
	HP(D2/D3/D4)	YES	YES	YES	YES	YES	YES	YES	YES	YES	YES	YES	YES	YES	YES		
	FLAC/VH(D2/D3/D4)	YES	YES	YES	YES	YES	YES	YES	YES	YES	YES	YES	YES	YES	YES		
	STANDBY/ZONE SWITCH(D2/D3/D4)	YES	YES	YES	YES	YES	YES	YES	YES	YES	YES	YES	YES	YES	YES		
	DISPLAY(V8/L1/V11/L3)	YES	YES	YES	YES	YES	YES	YES	YES	YES	YES	YES	YES	YES	YES		
	HP(V8/L1/V11/L3)	YES	YES	YES	YES	YES	YES	YES	YES	YES	YES	YES	YES	YES	YES		
	INPUT SELECTOR SWITCH(V8/L1/V11/L3)	YES	YES	YES	YES	YES	YES	YES	YES	YES	YES	YES	YES	YES	YES		
	DISPLAY(Z8)	YES	YES	YES	YES	YES	YES	YES	YES	YES	YES	YES	YES	YES	YES		
	MASTER VOLUME(Z8)	YES	YES	YES	YES	YES	YES	YES	YES	YES	YES	YES	YES	YES	YES		
	SWITCH IN DOOR(Z8)	YES	YES	YES	YES	YES	YES	YES	YES	YES	YES	YES	YES	YES	YES		
	SWITCH etc.(Z8)	YES	YES	YES	YES	YES	YES	YES	YES	YES	YES	YES	YES	YES	YES		
	HP(Z8)	YES	YES	YES	YES	YES	YES	YES	YES	YES	YES	YES	YES	YES	YES		
	MIC(Z8)	YES	YES	YES	YES	YES	YES	YES	YES	YES	YES	YES	YES	YES	YES		
	FLAC/VH(Z8/D5)	YES	YES	YES	YES	YES	YES	YES	YES	YES	YES	YES	YES	YES	YES		
DISPLAY(D5)	YES	YES	YES	YES	YES	YES	YES	YES	YES	YES	YES	YES	YES	YES			
MASTER VOLUME(D5)	YES	YES	YES	YES	YES	YES	YES	YES	YES	YES	YES	YES	YES	YES			
SWITCH/MIC(D5)	YES	YES	YES	YES	YES	YES	YES	YES	YES	YES	YES	YES	YES	YES			
HP(D5)	YES	YES	YES	YES	YES	YES	YES	YES	YES	YES	YES	YES	YES	YES			
PART-9	DAC_FILTER+VLS1(T5/D2/V8/L1/T6/Z6/V11/L3/T7/Z7/D4)	YES	YES	YES	YES	YES	YES	YES	YES	YES	YES	YES	YES	YES	YES		
	DAC_FILTER+VLS2(Z8/D5)	YES	YES	YES	YES	YES	YES	YES	YES	YES	YES	YES	YES	YES	YES		
PART-10	MMPU	YES	YES	YES	YES	YES	YES	YES	YES	YES	YES	YES	YES	YES	YES		
	LVMPU	YES	YES	YES	YES	YES	YES	YES	YES	YES	YES	YES	YES	YES	YES		
	VSP	YES	YES	YES	YES	YES	YES	YES	YES	YES	YES	YES	YES	YES	YES		
	HDMI/DECODER	YES	YES	YES	YES	YES	YES	YES	YES	YES	YES	YES	YES	YES	YES		
	DIR/D&C	YES	YES	YES	YES	YES	YES	YES	YES	YES	YES	YES	YES	YES	YES		
	DSP	YES	YES	YES	YES	YES	YES	YES	YES	YES	YES	YES	YES	YES	YES		
	ARM_I/O	YES	YES	YES	YES	YES	YES	YES	YES	YES	YES	YES	YES	YES	YES		
	ARM_PS	YES	YES	YES	YES	YES	YES	YES	YES	YES	YES	YES	YES	YES	YES		
	ARM_MEMORY	YES	YES	YES	YES	YES	YES	YES	YES	YES	YES	YES	YES	YES	YES		
	ARM_USB/NET	YES	YES	YES	YES	YES	YES	YES	YES	YES	YES	YES	YES	YES	YES		
	POWER	YES	YES	YES	YES	YES	YES	YES	YES	YES	YES	YES	YES	YES	YES		
PART-11	TUNER	YES	YES	YES	YES	YES	YES	YES	YES	YES	YES	YES	YES	YES	YES		
PART-12	FRONT_HDMI(T6/Z6/D3/V11/L3/T7/Z7/D4)	YES	YES	YES	YES	YES	YES	YES	YES	YES	YES	YES	YES	YES	YES		
	FRONT_HDMI(Z8/D5)	YES	YES	YES	YES	YES	YES	YES	YES	YES	YES	YES	YES	YES	YES		
PART-13	HDBaseT(D4/D5)	YES	YES	YES	YES	YES	YES	YES	YES	YES	YES	YES	YES	YES	YES		

Model name	Abbreviated Model Name
VX-831	V8
VX-LX101	L1
VX-1131	V11
VX-LX301	L3

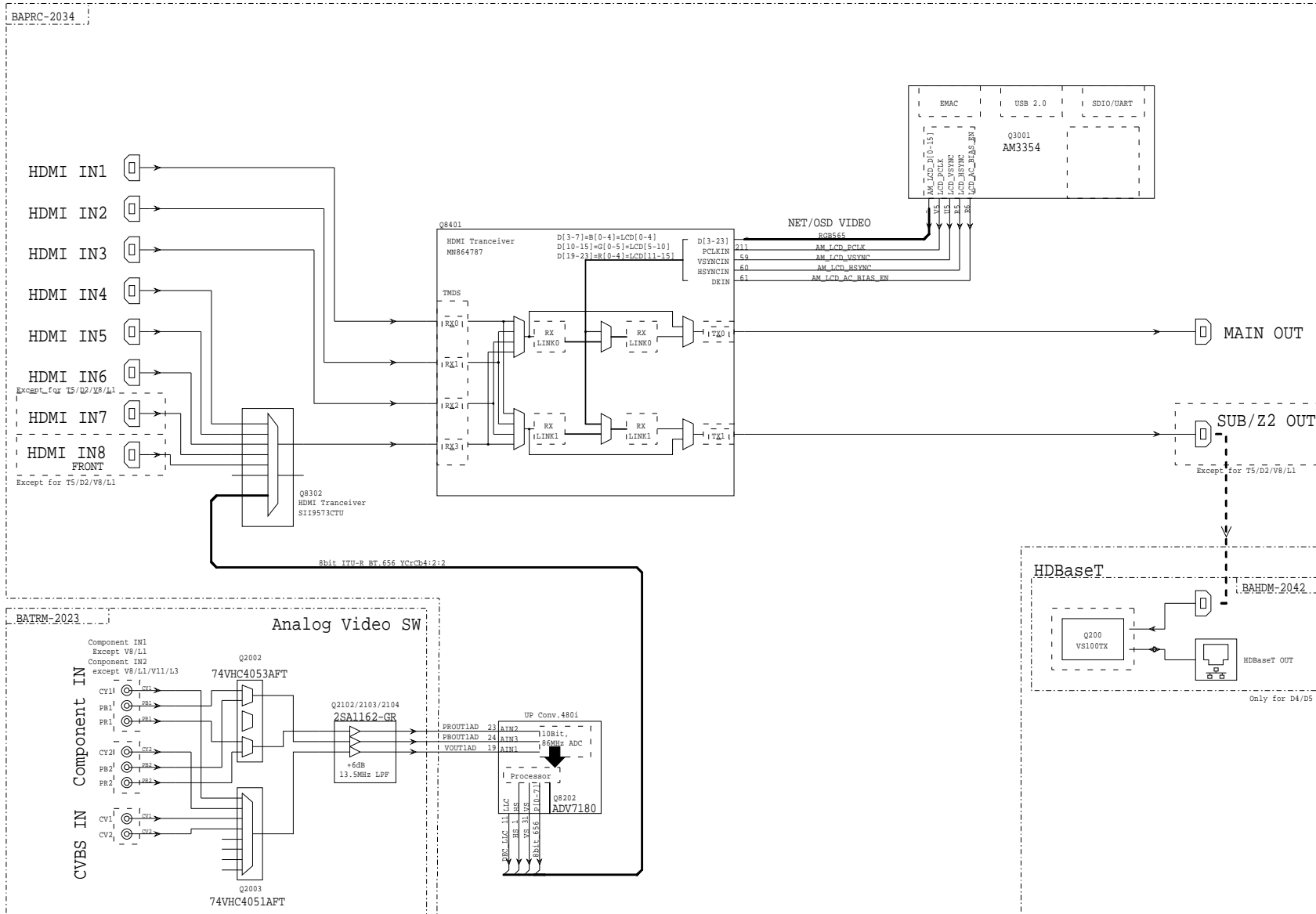
MODEL NO.VSX-831/LX101/1131/LX301 SCHEMATIC DIAGRAM(PART-1) BLOCK DIAGRAM(Analog Audio)



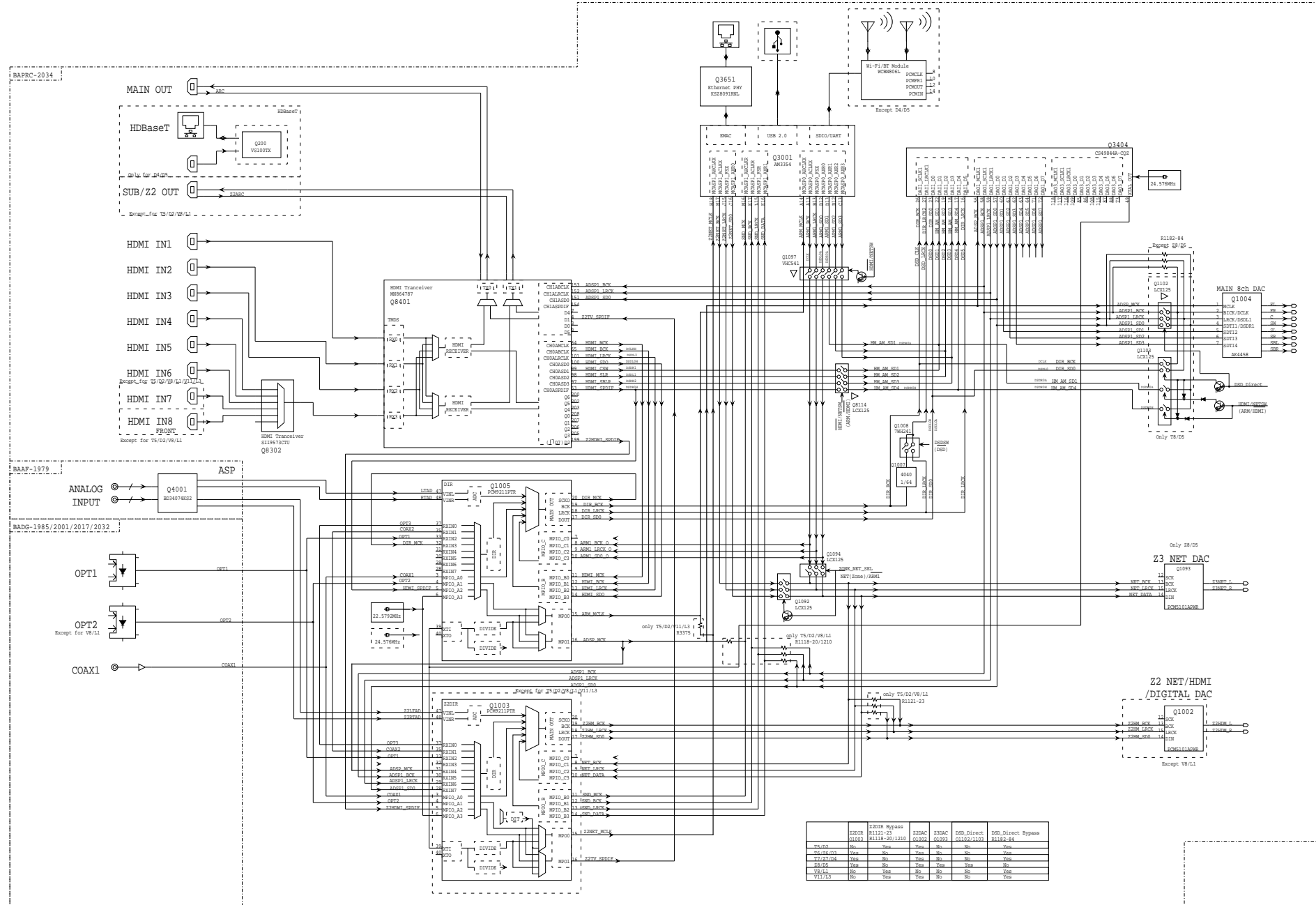
PART-3 Digital Audio

MODEL NO.VSX-831/LX101/1131/LX301

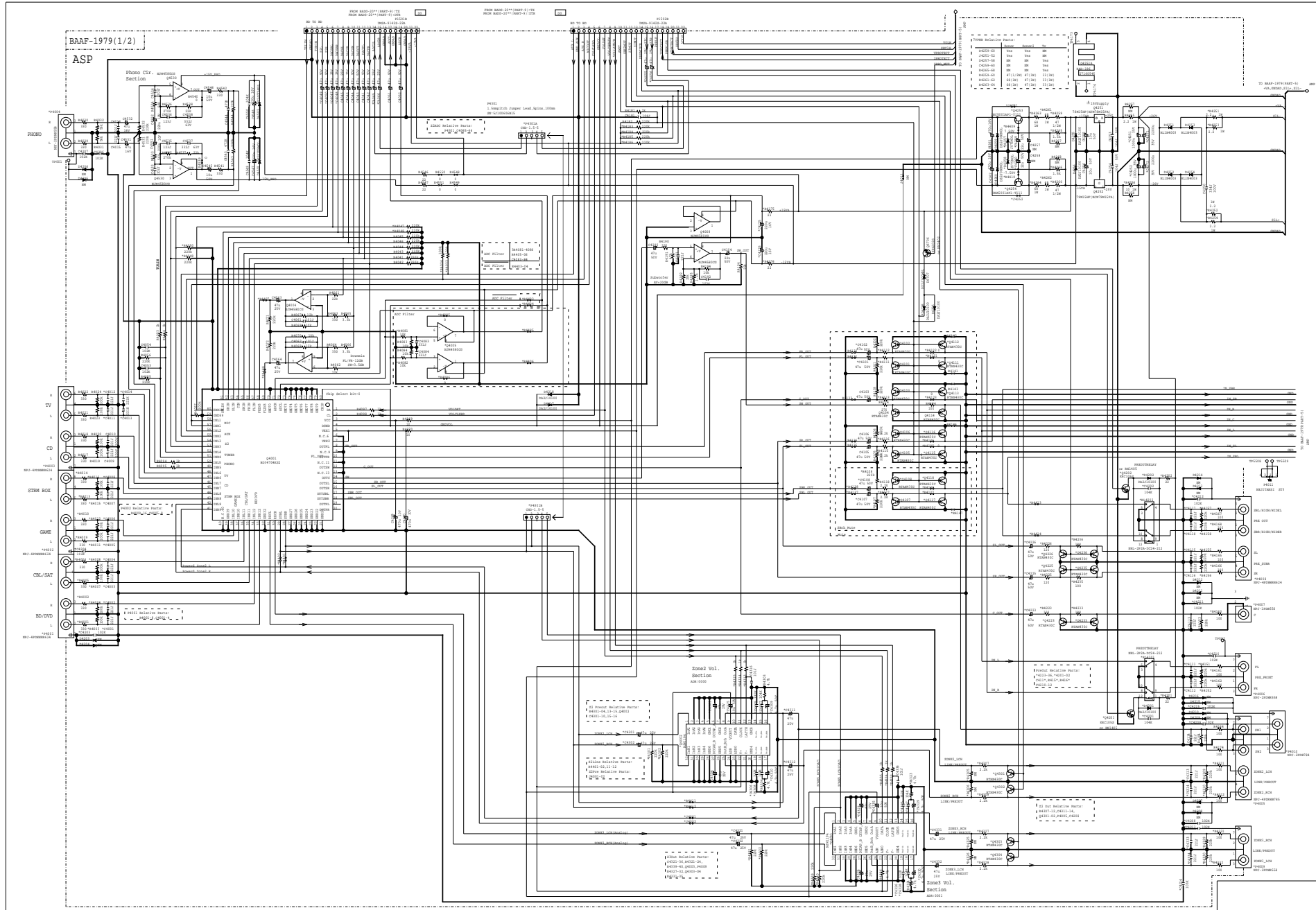
SCHEMATIC DIAGRAM (PART-2) BLOCK DIAGRAM(Video)



MODEL NO. VSX-831/LX101/1131/LX301 SCHEMATIC DIAGRAM (PART-3) BLOCK DIAGRAM(Digital Audio)



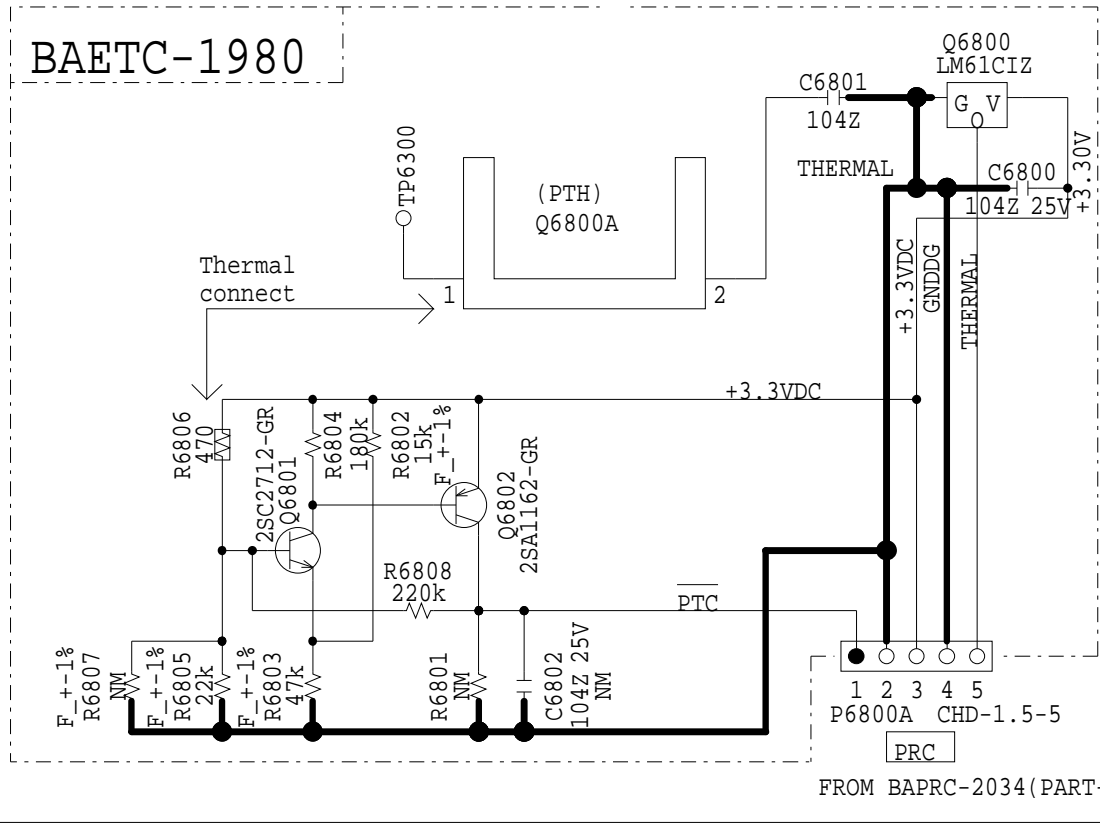
MODELNO. VSX-831/LX101/1131/LX301 SCHEMATIC DIAGRAM (PART-4) ASP SECTION







MODEL NO. VSX-831/LX101/1131/LX301  
SCHEMATIC DIAGRAM  
(PART-4) THERMAL SENSOR  
SECTION



# Destination list of BAAR-1979

# Schematic Diagram

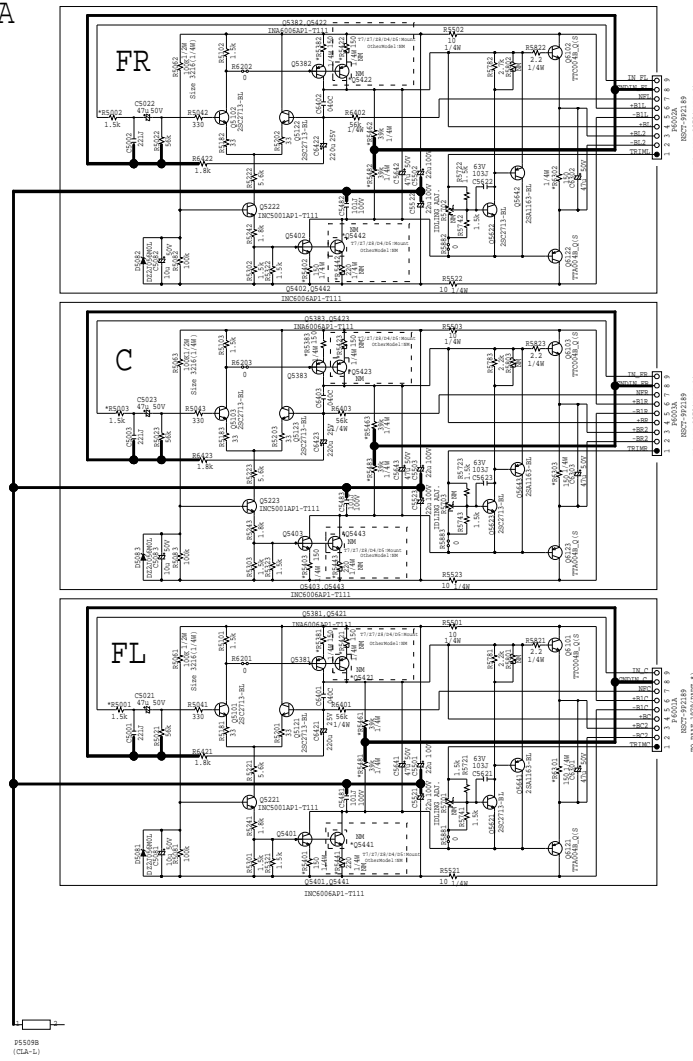
Functions	Cir.No/Group	T5	D2	T6	Z6	D3	T7	Z7	D4	T8	D5	V8	L1	V11	L3
Input Terminal	Terminal Color	Silver	Gold	Silver		Gold	Silver		Gold	Silver	Gold		Silver		
	P4001,P4002 Relatives	Mount P4001 and P4002 Relatives											NM	Mount P4002 Relatives	
	P4001,P4002	25045845	25045812	25045845		25045812	25045845		25045812	25045845	25045812	NM		25045845	
	C4011-12,C4013-14	C4011-12											C4011-12	C4013-14	
AUX Audio Input	R4033,R4034	Mount								NM		Mount			
Mute	SBch_Mute	Mount											NM	Mount	
	R4111-13,15-18	2.2k			120	2.2k			120			2.2k			
	R4112-23,25-28	0			100	0			100			0			
	Q4112-23,25-28	NM			Mount	NM			Mount			NM			
Pre Out	P4006	NM			25045803	NM		25045803	25045776	25045803		NM			
	P4007	NM			25045998	NM		25045998	25045774	25045998		NM			
	P4008	NM			25045812	NM		25045812	25045845	25045812		NM			
	Z2Pre/Line	Z2Out Relatives	Mount											NM	Mount
	P4010,C4215	NM											Mount	NM	
	Z2Line Relatives	Mount	NM	Mount	NM		Mount	NM			NM		Mount	NM	
	Z2Pre Relatives	NM	Mount	NM	Mount		NM	Mount			NM		NM	Mount	
	Z3Vol Relatives	NM							Mount		NM				
ADC Filter		ADC Filter							ADC Filter		ADC Filter				
Z2ADC	Relatives	NM						Mount			NM				
15VPWR	R4251-54	2.2 1W (*Z7/D4M:0.22 1/2W)							0.22 1/2W		2.2 1W				
	R4256	10 1W							2.2 1W		10 1W				
	C4271-72	1000uF35V							2200uF35V		1000uF35V				
7VPWR Relatives		Zener	Zene2	Transistor							Zener		Transistor		
Amp	SBL/SBR C4047-48,R4047-48	Mount											NM	Mount	
Block Cap	C6901-02	3504506 6800u 63V	3504525A 8200u 69V	3504519A 8200u 69V	3504534 10000u 71V	3504525A 8200u 69V	3504539 10000u 75V	3504540 10000u 75V	3504539 10000u 75V	3504535 15000u 75V	3504515 15000u 75V	3504506 6800u 63V		3504525A 8200u 69V	
Power Tr	Q6001-03	2SC5198			2SC5242					TTC0001		2SC5198		2SC5242	
	Q6021-23	2SA1941			2SA1962					TTA0001		2SA1941		2SA1962	
	Q6005-08	2SC5198			KTC5242A			2SC5242		TTC0001		2SC5198		KTC5242A	
	Q6025-28	2SA1941			KTA1962A			2SA1962		TTA0001		2SA1941		KTA1962A	
AMP Emitter Resistor	R6005-08,R6025-28 R6085-88	Mount NM					NM Mount			Mount NM					
IPRO	R664*	3.9k		2.2k				1.8k		3.9k		2.2k			
Fuse	F6901-02 Label	10A-UL/T-233 10A/125V		12A-TUL-250V			15A-TUL-250V 15A/250V			10A-UL/T-233 10A/125V		12A-TUL-250V			
Heatsink	D6901A	27160545					27160500			27160545					
BUS Plate	27142306A	NM					Mount			NM					

# Destination List of BAAF-1979

MODEL NO. VSX-831/LX101/1131/LX301 SCHEMATIC DIAGRAM(PART-5) AMP SECTION

BACLA-2020 VSX-831/LX101/1131/LX301

CLASS A



Destination table

Reference Model	MODEL			
	75/72/76/26/ V8/V3/V11/L3	77/27	D3	28/24/D8
R500*	1.5k Ω			3.3k Ω
R540*		220 Ω		
R541*			220 Ω	
R544*	No Mount	220 Ω	No Mount	220 Ω
R546*	39k Ω	33k Ω	39k Ω	33k Ω
R630*	150 Ω			
Q542*	No Mount	Mount	No Mount	Mount
Q544*				

MODEL NO. VSX-831/LX101/1131/LX301 SCHEMATIC DIAGRAM (PART-6)

PS SECTION

THE COMPONENTS IDENTIFIED MARK Δ ARE CRITICAL FOR SAFETY, REPLACE ONLY WITH PART NUMBER SPECIFIED. VOLTAGE (MEASURED WITH VOLTMETER) IS DC VOLTAGE. (NO INPUT SIGNAL) ELECTROLYTIC CAPACITORS (E) ARE IN μF/50V. ALL CAPACITORS ARE IN pF/500V UNLESS OTHERWISE NOTED.

CAUTION FOR CONTINUED PROTECTION AGAINST FIRE HAZARD. REPLACE ONLY WITH FUSE OF SAME TYPE AND RATING INDICATED. ATTENTION Afin d'assurer une protection permanente contre les risques d'incendie, remplacer uniquement par un fusible de même type et calibration comme indiqué.

Table with 2 columns: MODEL, PART NUMBER. Lists models T5, T6, Z6, T7, Z7, Z8, D2, D3, D4, D5, V8, V11, V13 and their corresponding part numbers.

△印は火災、感電の危険に關する部品の為、必ず指定部品を使用の事。電圧表示は無信号時に測定した直流電圧を示す。記入なき電解コンデンサの単位はμF/50Vである。記入なきコンデンサの単位はpF/500Vである。

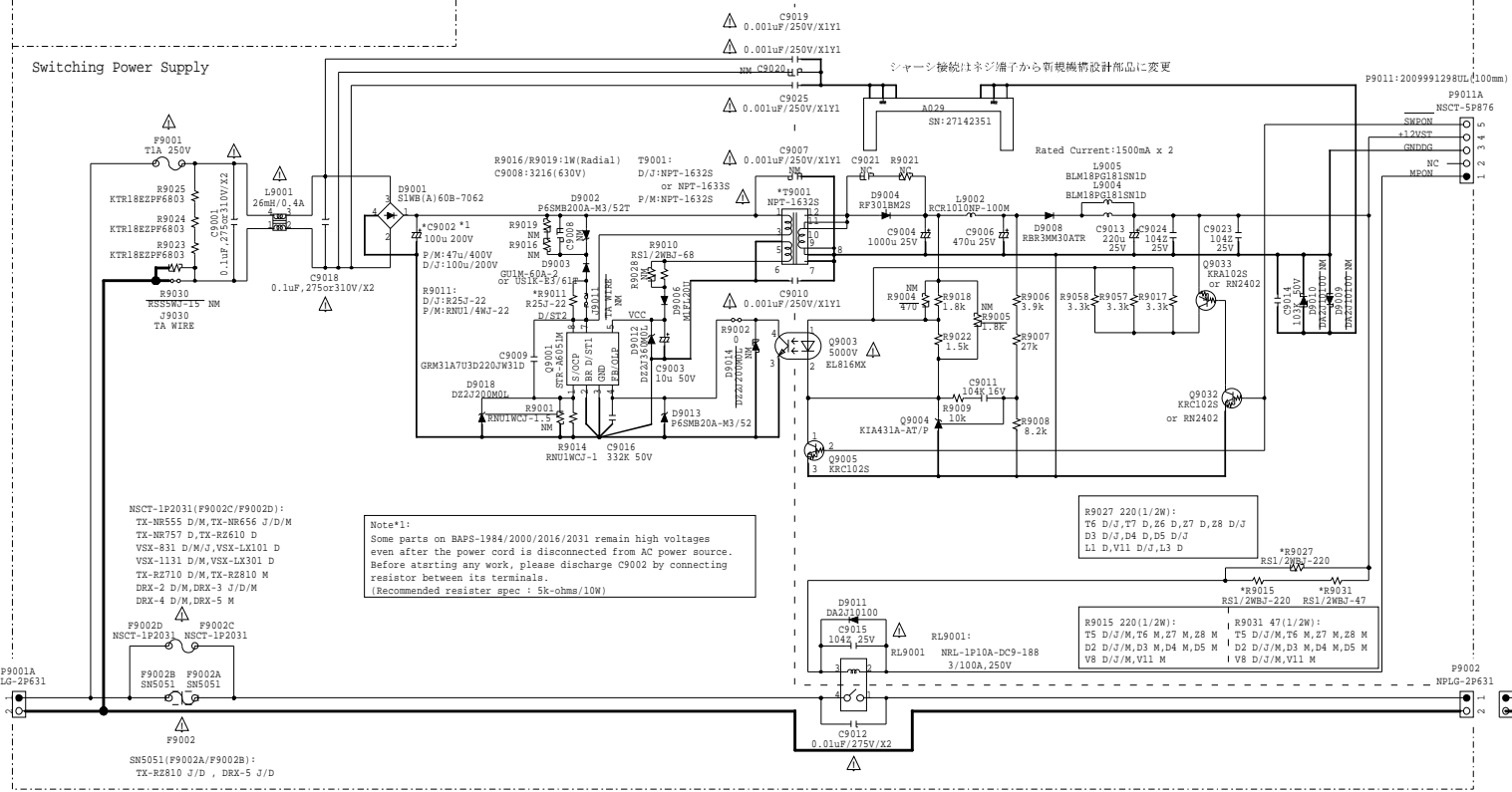
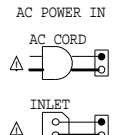
BAPS-2016 (VSX-831/LX101/1131/LX301)

Switching Power Supply

Primary Secondary

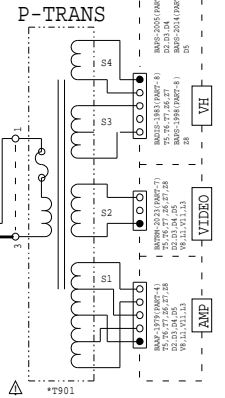
Table with 2 columns: TYPE, AC POWER. Lists models D, M, T and their AC power specifications.

Table with 3 columns: MODEL, Destination, AC POWER IN. Lists models T5, T6, T7, Z6, Z7, Z8, D2, D3, D4, D5, V8, V11, V13 and their AC power in specifications.



Note\*1: Some parts on BAPS-1984/2000/2016/2031 remain high voltages even after the power cord is disconnected from AC power source. Before starting any work, please discharge C9002 by connecting resistor between its terminals. [Recommended resistor spec : 5k-ohms/10W]

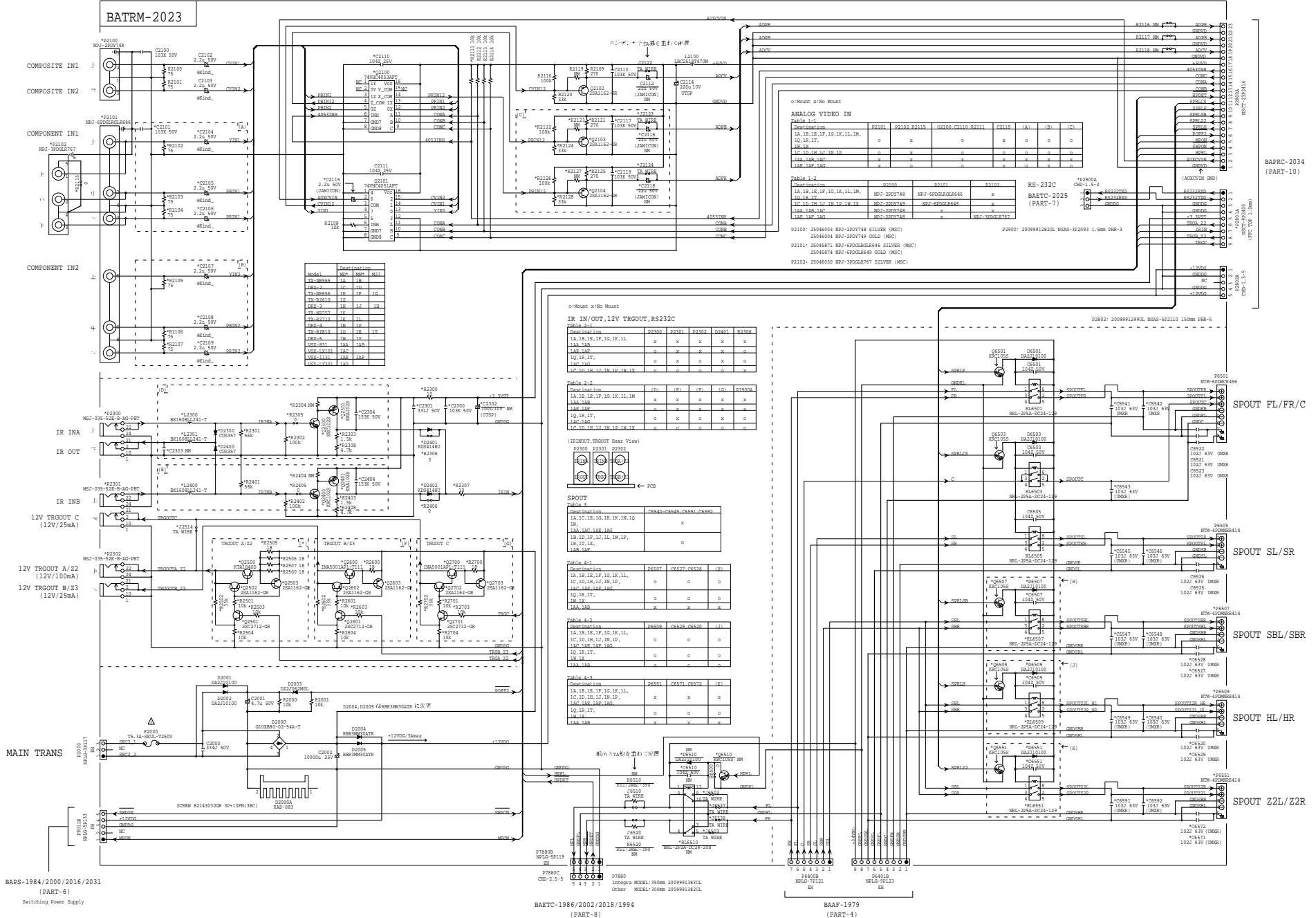
BATRM-2023 (PART-7)



F9002:Rating of Fuse Table with columns for TYPE, T5/D2, V8, I1, T6/D3, Z6/T7, T7/D4/V11, I2, Z8/D5. Lists fuse ratings for models D, M, T, J.

T901 Rating Table with columns for TYPE, T5/D2, V8, I1, T6/D3, V11, Z6/I3, T7, T7/D4, Z8/D5. Lists resistor ratings for models D, M, T, J.

MODEL NO. VSX-831/LX101/1131/LX301 SCHEMATIC DIAGRAM(PART-7) VIDEO, SPOUT, IR/12VTRG SECTION



BAPS-1984/2000/2016/2031 (PART-6) Switching Power Supply

BAETC-1986/2002/2018/1994 (PART-8)

BAAP-1979 (PART-4)

BAPRC-2034 (PART-10)

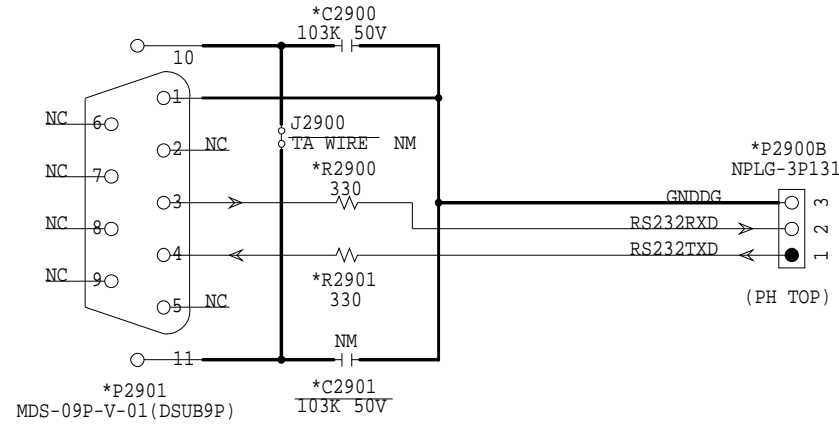
BAPRC-2034 (PART-10)

MODEL NO., VSX-831/LX101/1131/LX301 SCHEMATIC DIAGRAM(PART-7)

RS232C SECTION

BAETC-2025

RS-232C

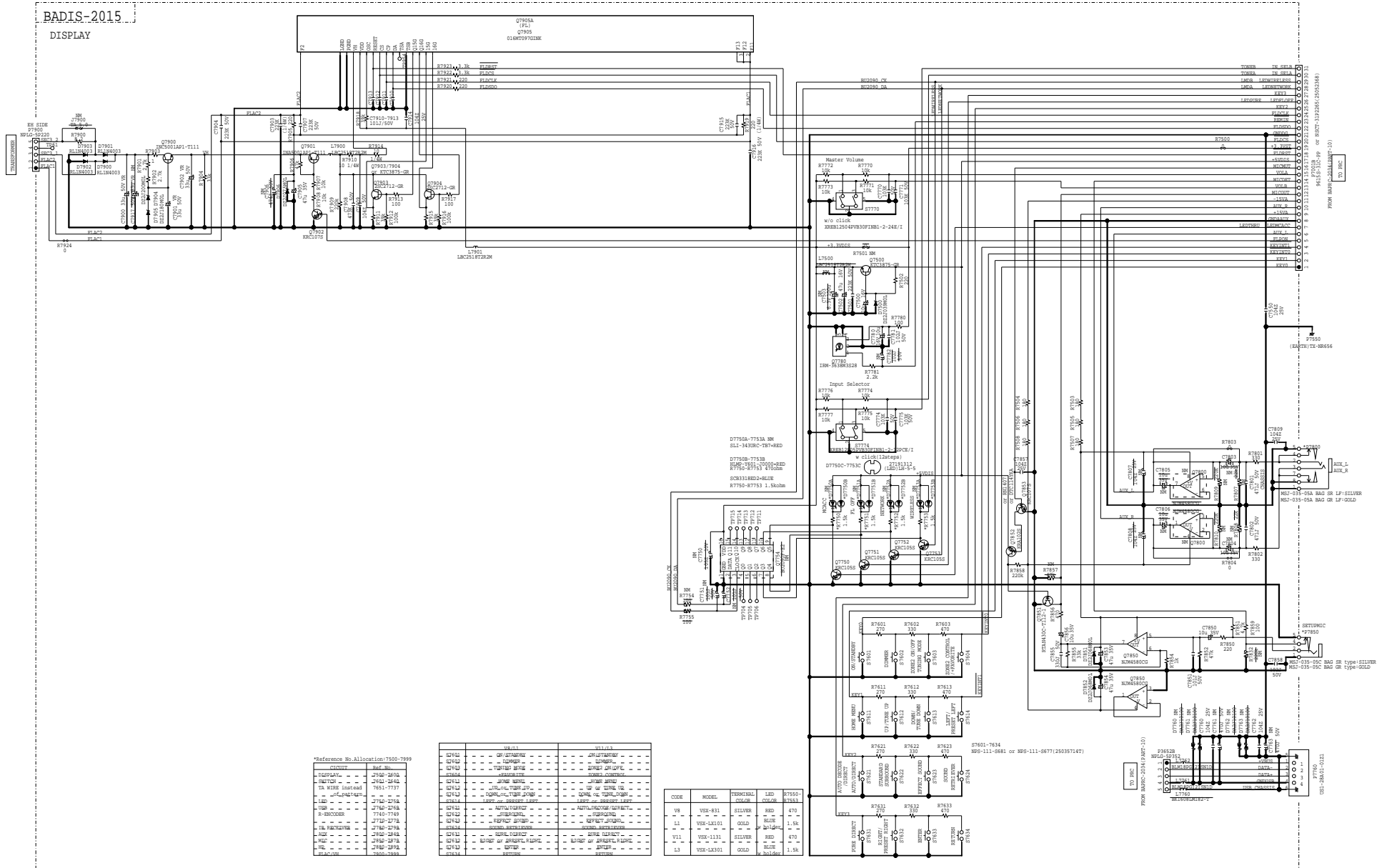


Model	Destination
TX-NR555	1A 1B
DRX-2	1C 1D
TX-NR656	1E 1F 1G
TX-NR610	1Z
DRX-3	1H 1J 1H
TX-NR757	1K
TX-RZ710	1K 1L
DRX-4	1N 1P
TX-RZ810	1Q 1R 1T
DRX-5	1W 1X
VSX-831	1AA 1AB
VSX-LX101	1AC
VSX-1131	1AE 1AF
VSX-LX301	1AG

BATRM-2023  
(PART-7)

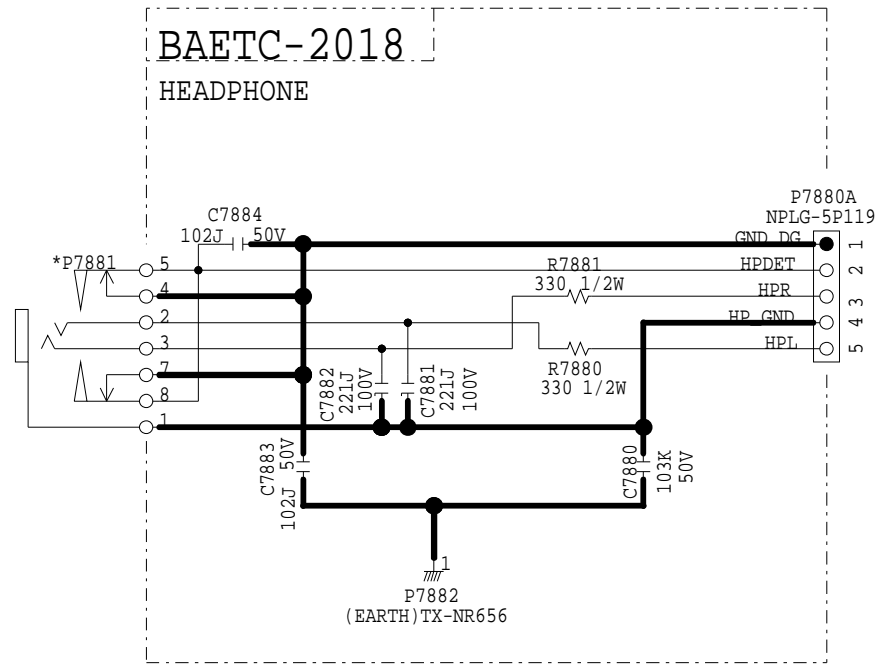
Destination	P2900B, P2901, C2900, R2900, R2901
1A, 1B, 1E, 1F, 1G, 1K, 1L, 1M, 1AA, 1AB, 1AE, 1AF	All Mount
1Q, 1R, 1T, 1C, 1D, 1H, 1J, 1N, 1P, 1W, 1X, 1AC, 1AG	All No Mount

MODEL NO. VSX-831/LX101/1131/LX301 SCHEMATIC DIAGRAM(PART-8) DISPLAY SECTION



MODEL NO.VSX-831/LX101/1131/LX301

SCHEMATIC DIAGRAM(PART-20) DISPLAY(HEADPHONE)SECTION



TO TRM

TO BATRM-2023 (PART-10)

P7881 Color of Head Phone jack

MODEL	Color	Rating
VSX-831/1131	Silver	MSJ-064-05A SR
VSX-LX101/LX301	Gold	MSJ-064-05A GR



MODEL No. VSX-831/LX101/1131/LX301 SCHEMATIC DIAGRAM (PART-9)  
DAC FILTER SECTION

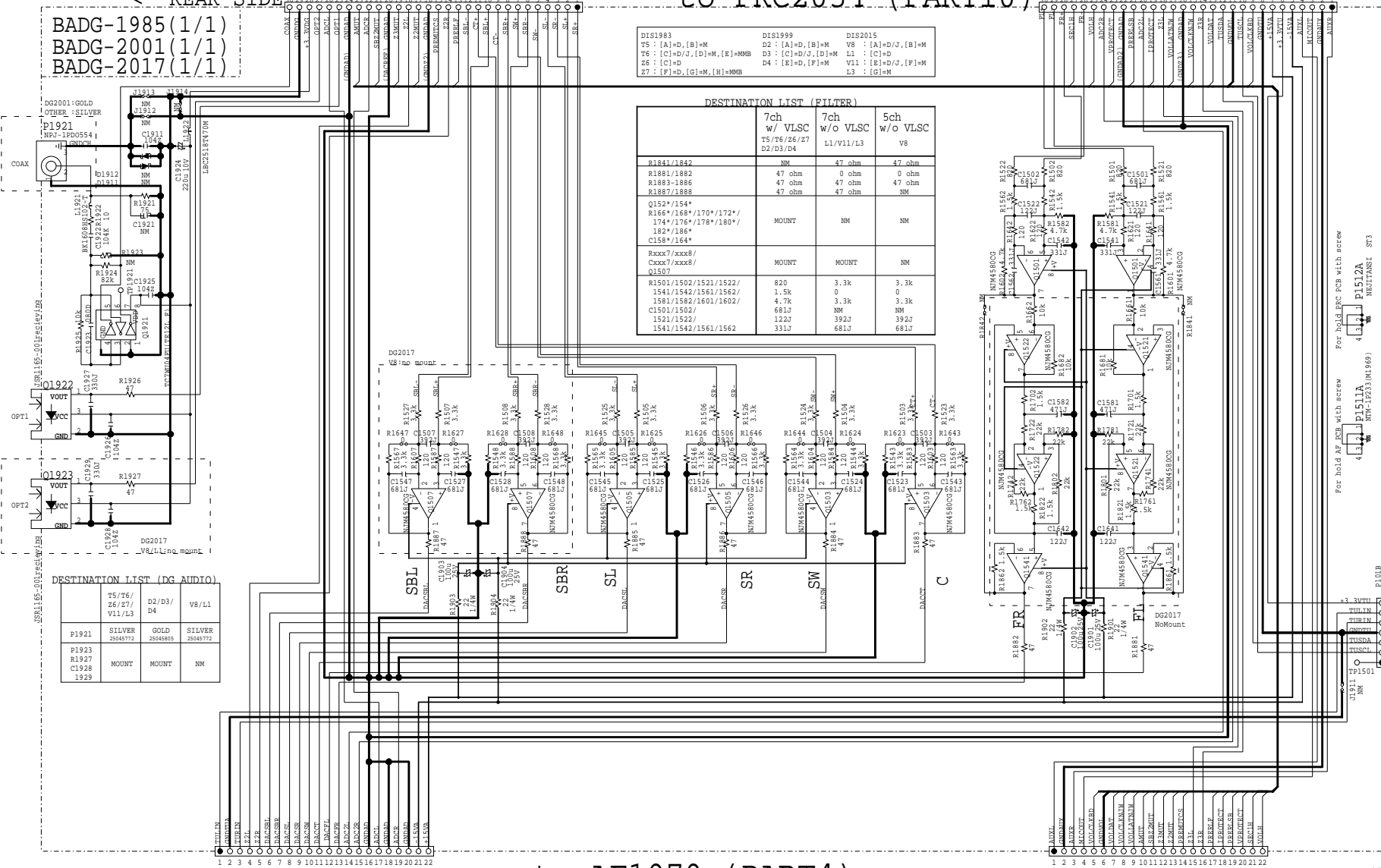
商品種類表に照らしアルミ電解Cは全てJ T S P品  
部品定格または定格電力表記無き抵抗は全て1/10Wチップ品

<- REAR SIDE

P8003A IMSA-9850S-30

to PRC2034 (PART10)

P8002A IMSA-9850S-30



<- REAR SIDE

P1501A IMSA-9142B-22A

to AF1979 (PART4)

P1502A IMSA-9142B-22A

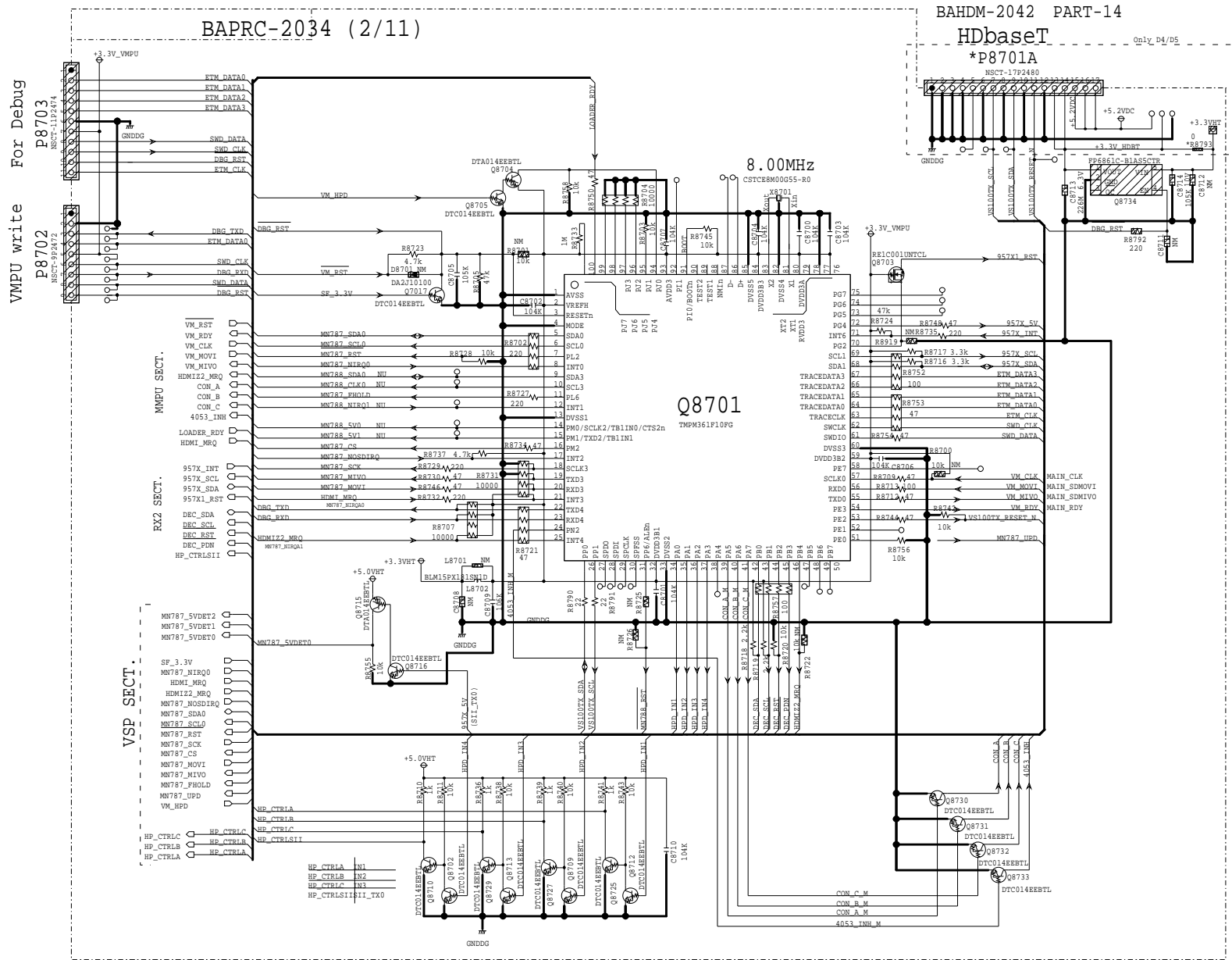
FILTER : 1500 - 1999

to RF1987/1995/2003/2012/2019  
(PART11)



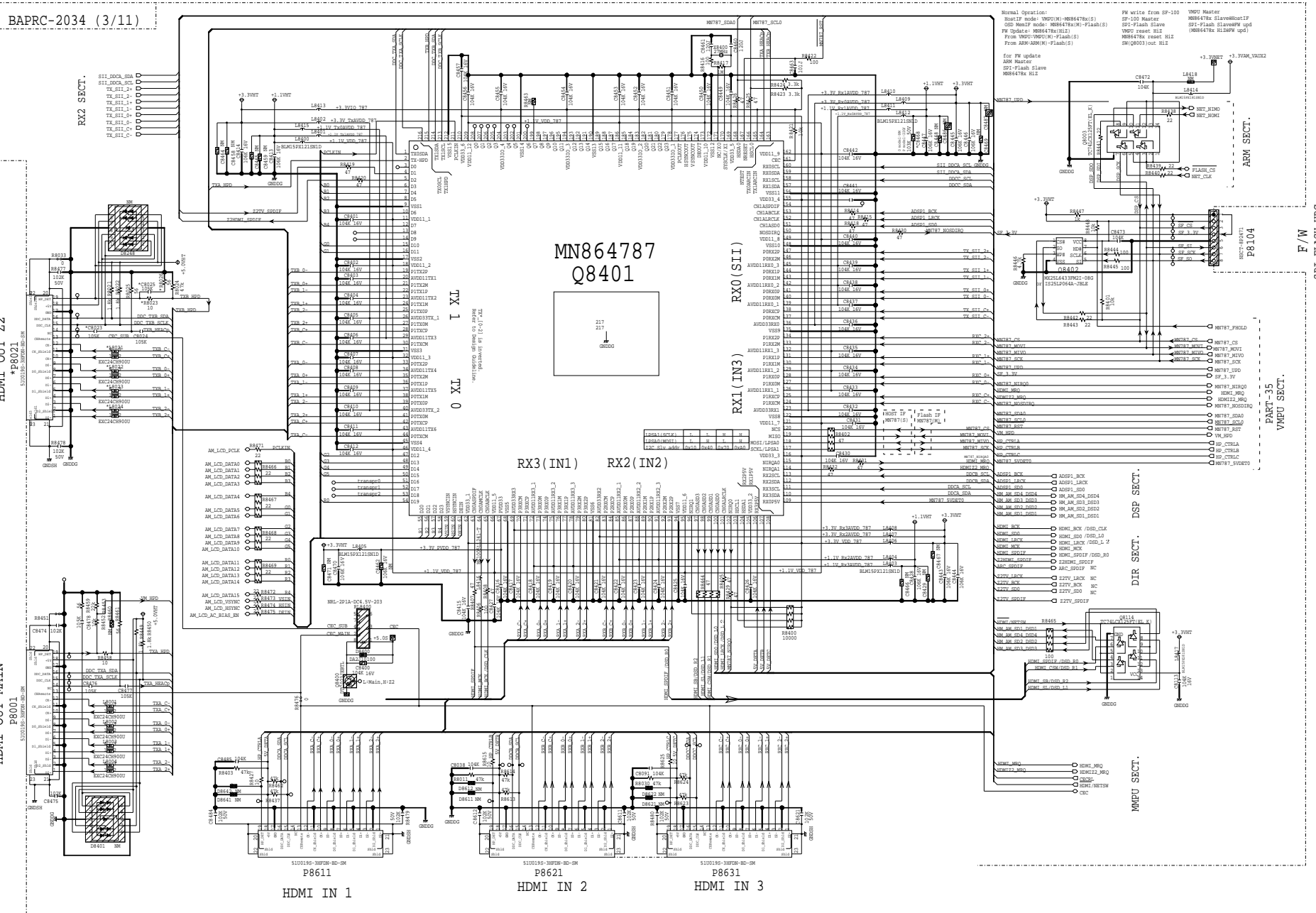
MODEL NO. VSX-831/LX101/1131/LX301

SCHEMATIC DIAGRAM (PART-10) VMPU SECTION



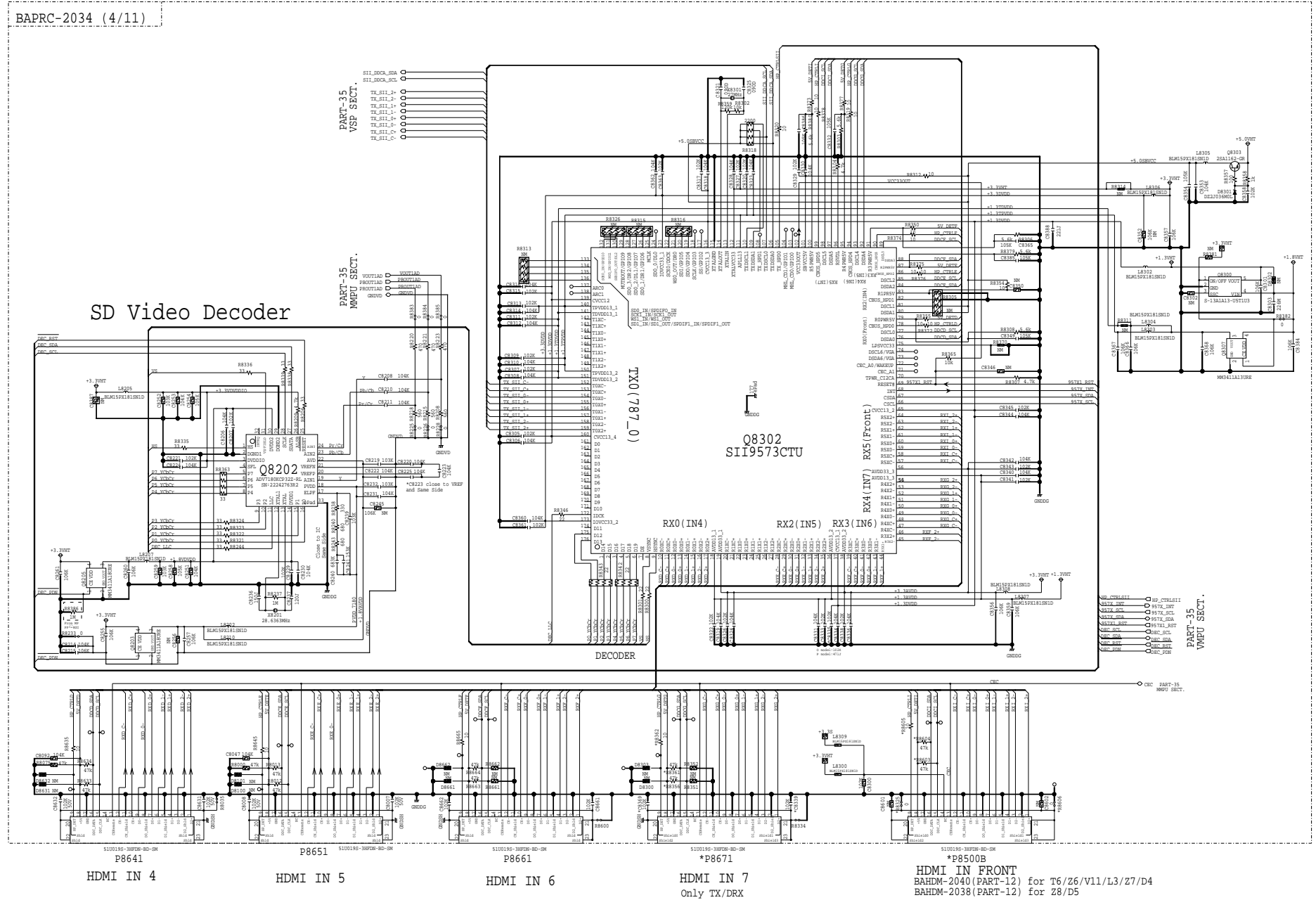
MODEL NO. VSX-831/LX101/1131/LX301

SCHEMATIC DIAGRAM (PART-10) VSP SECTION



MODEL NO. VSX-831/LX101/1131/LX301

SCHEMATIC DIAGRAM (PART-10) HDMI RX2 SECTION

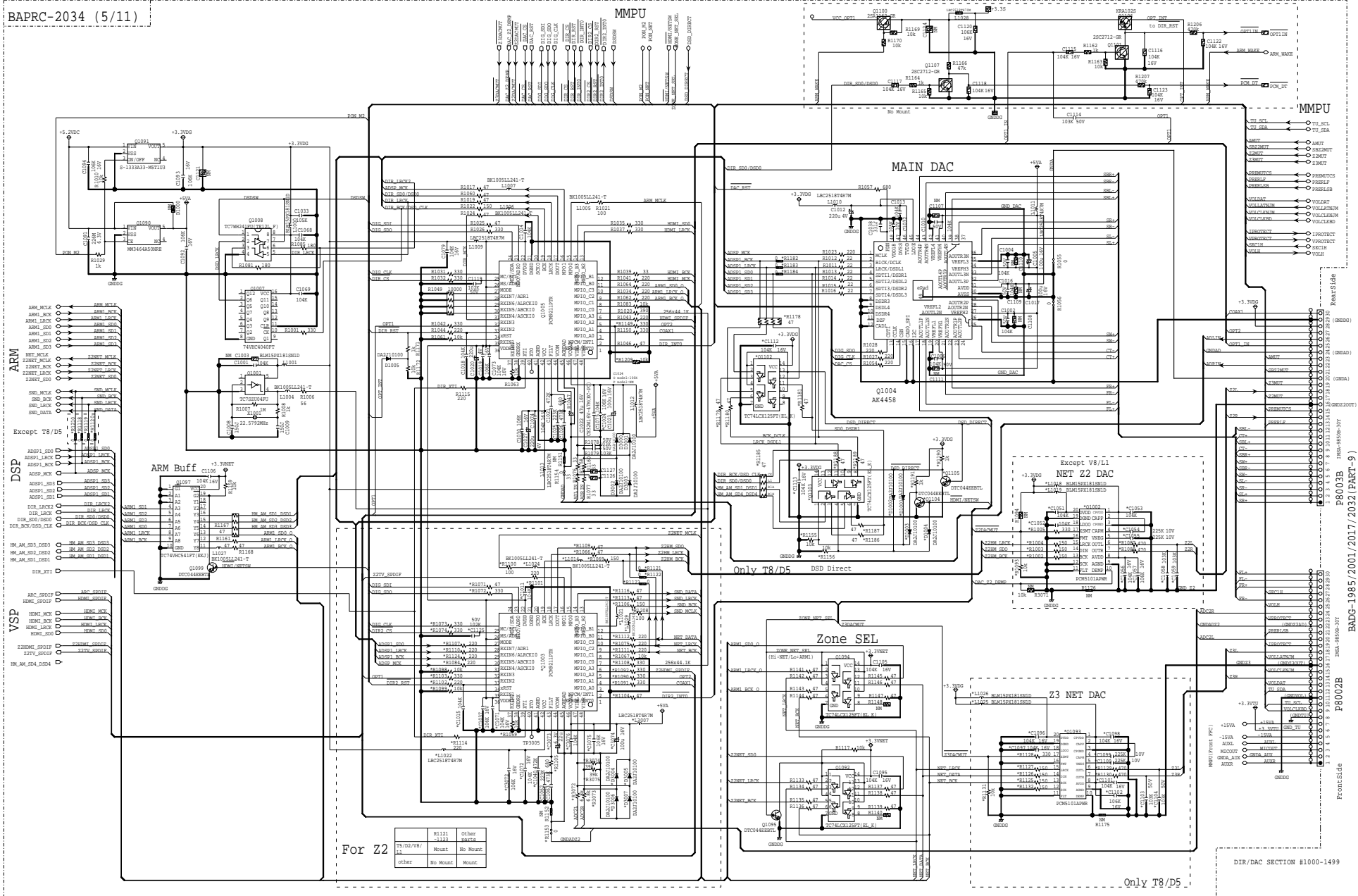


HDMI IN 4      HDMI IN 5      HDMI IN 6      HDMI IN 7      HDMI IN FRONT  
 Only TX/DRX

BAHDM-2040 (PART-12) for T6/Z6/V11/L3/Z7/D4  
 BAHDM-2038 (PART-12) for Z8/D5

MODEL NO. VSX-831/LX101/1131/LX301

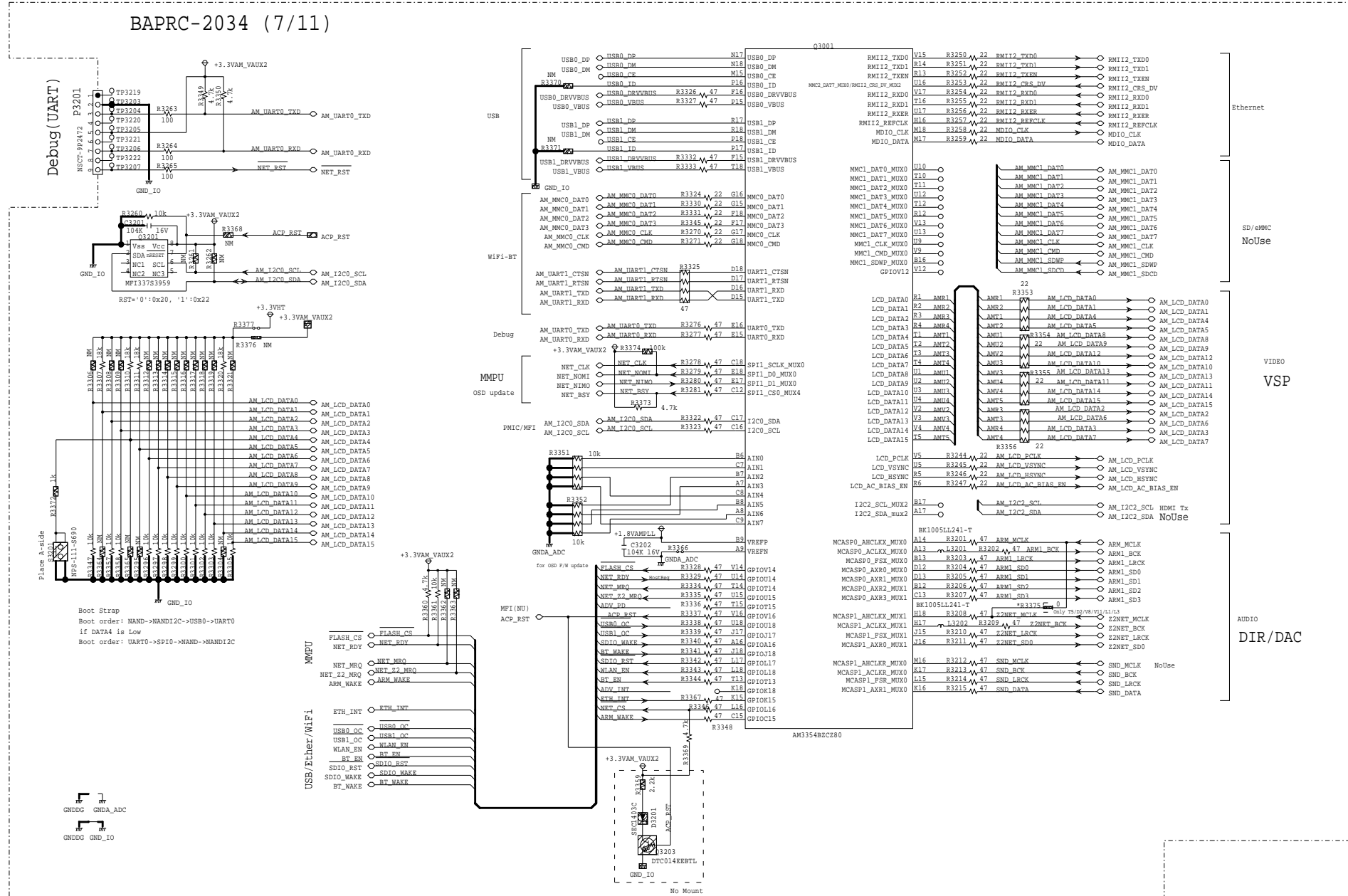
SCHEMATIC DIAGRAM (PART-10) DIR/DAC SECTION



MODEL NO. VSX-831/LX101/1131/LX301

SCHEMATIC DIAGRAM (PART-10) ARM IO SECTION

BAPRC-2034 (7/11)



Debug (UART)

Please A-side

Boot Strap  
Boot order: NAND->NANDI2C->USB0->UART0  
if DATA4 is Low  
Boot order: UART0->SPI0->NAND->NANDI2C

MPMU

USB/Ether/Wifi

No Mount



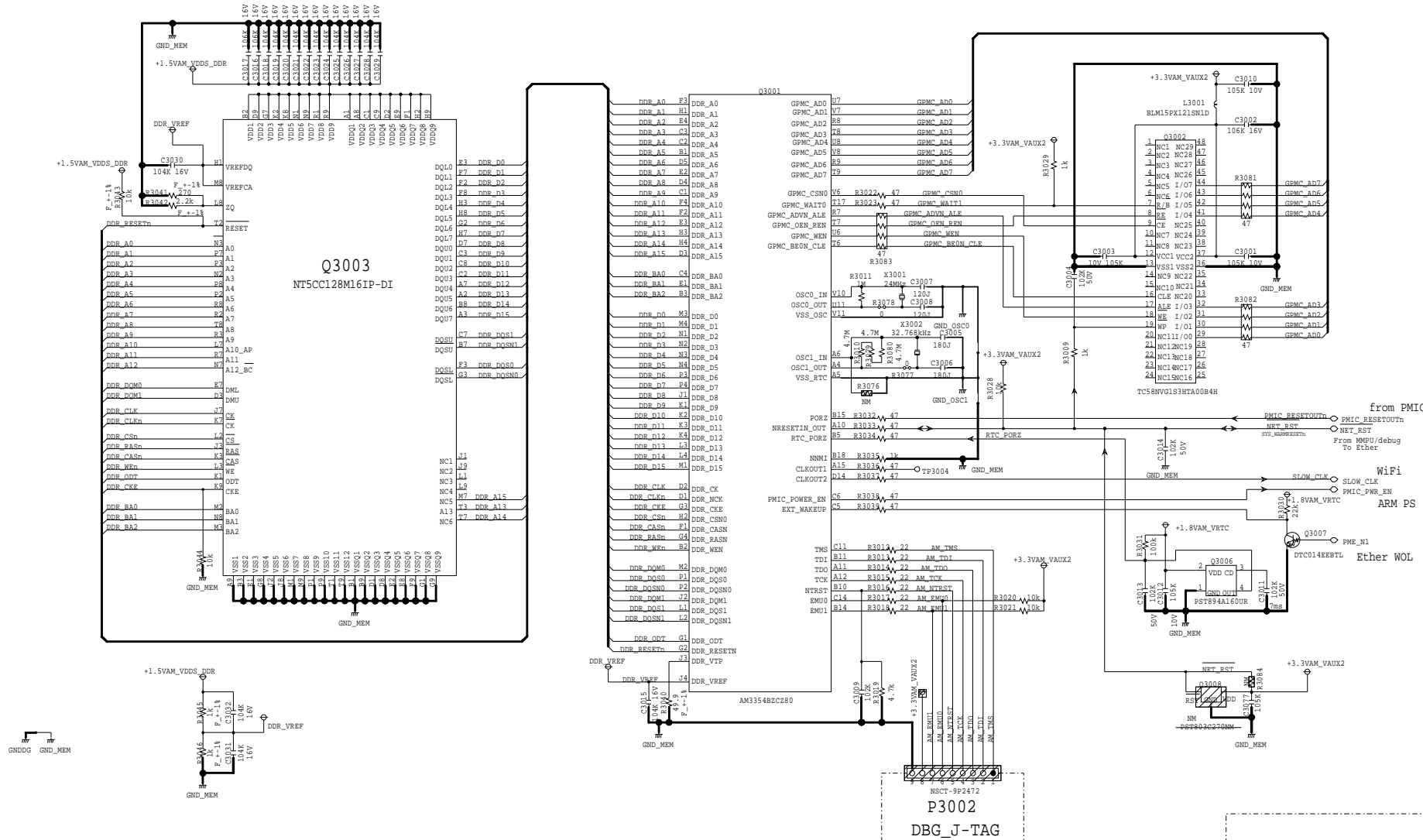


MODEL NO. VSX-831/LX101/1131/LX301

SCHEMATIC DIAGRAM (PART-10)

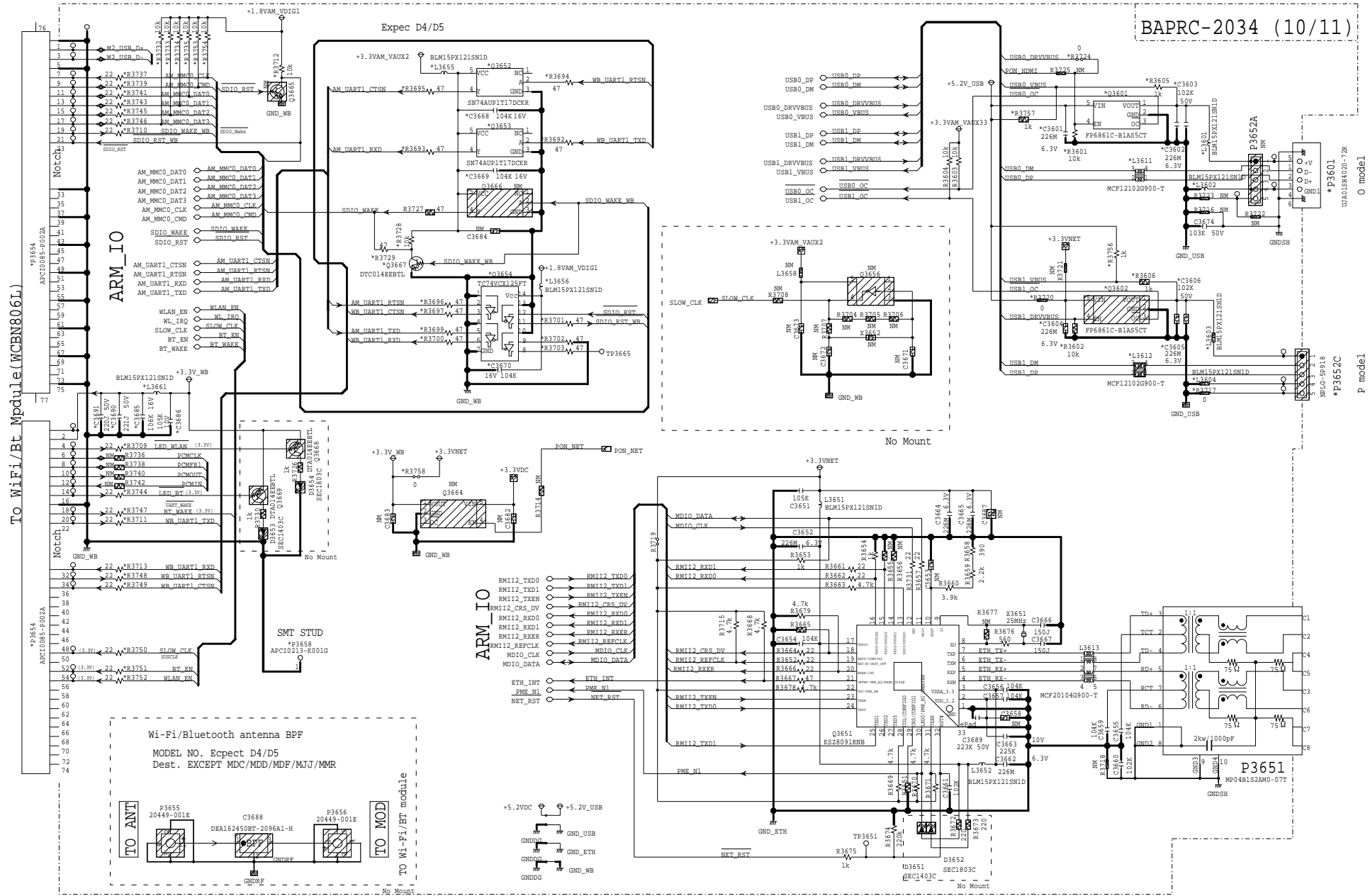
ARM Memory SECTION

BAPRC-2034 (9/11)



MODEL NO. VSX-831/LX101/1131/LX301

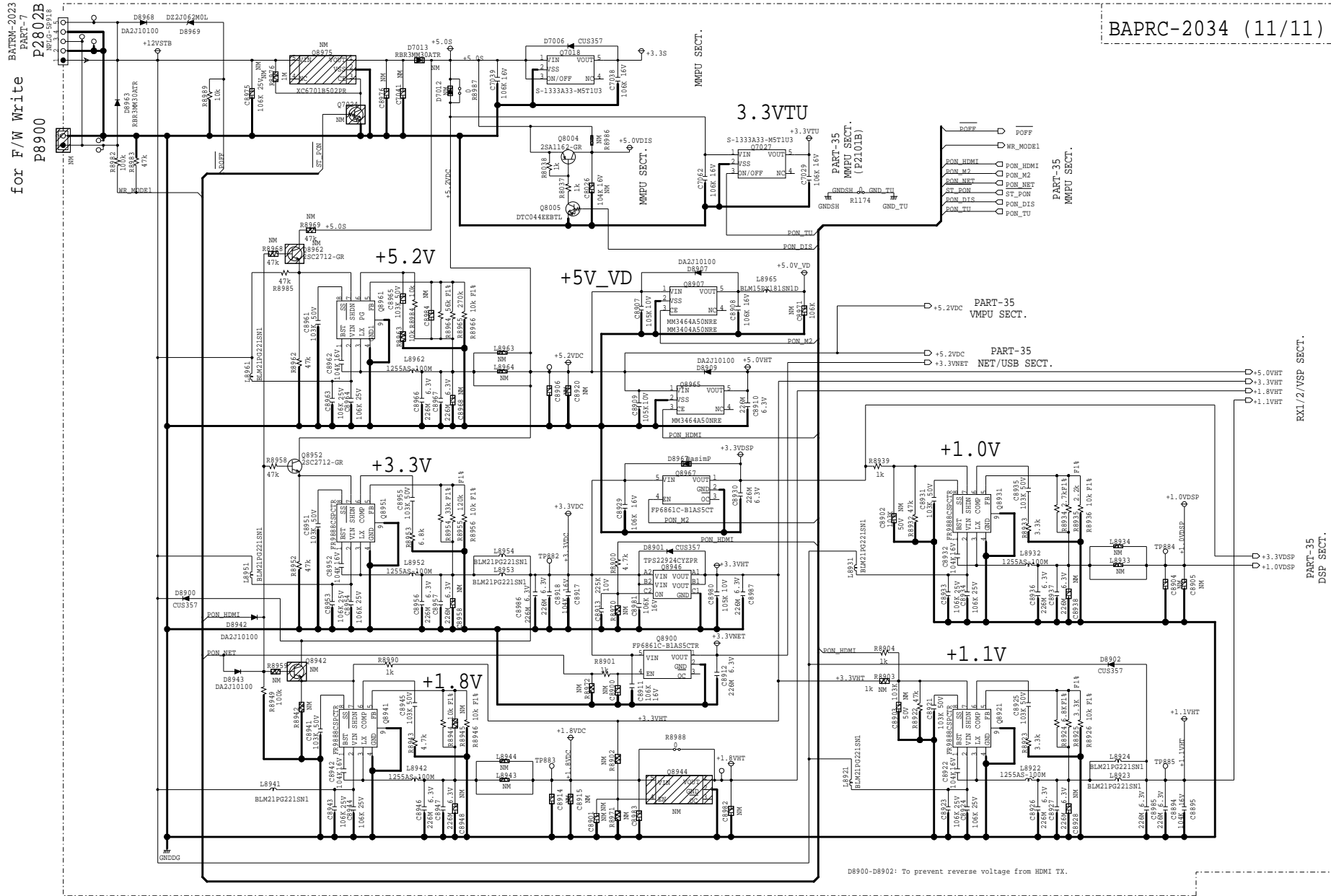
SCHEMATIC DIAGRAM (PART-10)  
ARM USB/Ethwernet/WiFi SECTION



MODEL NO. VSX-831/LX101/1131/LX301

SCHEMATIC DIAGRAM (PART-10) POWER SECTION

BAPRC-2034 (11/11)

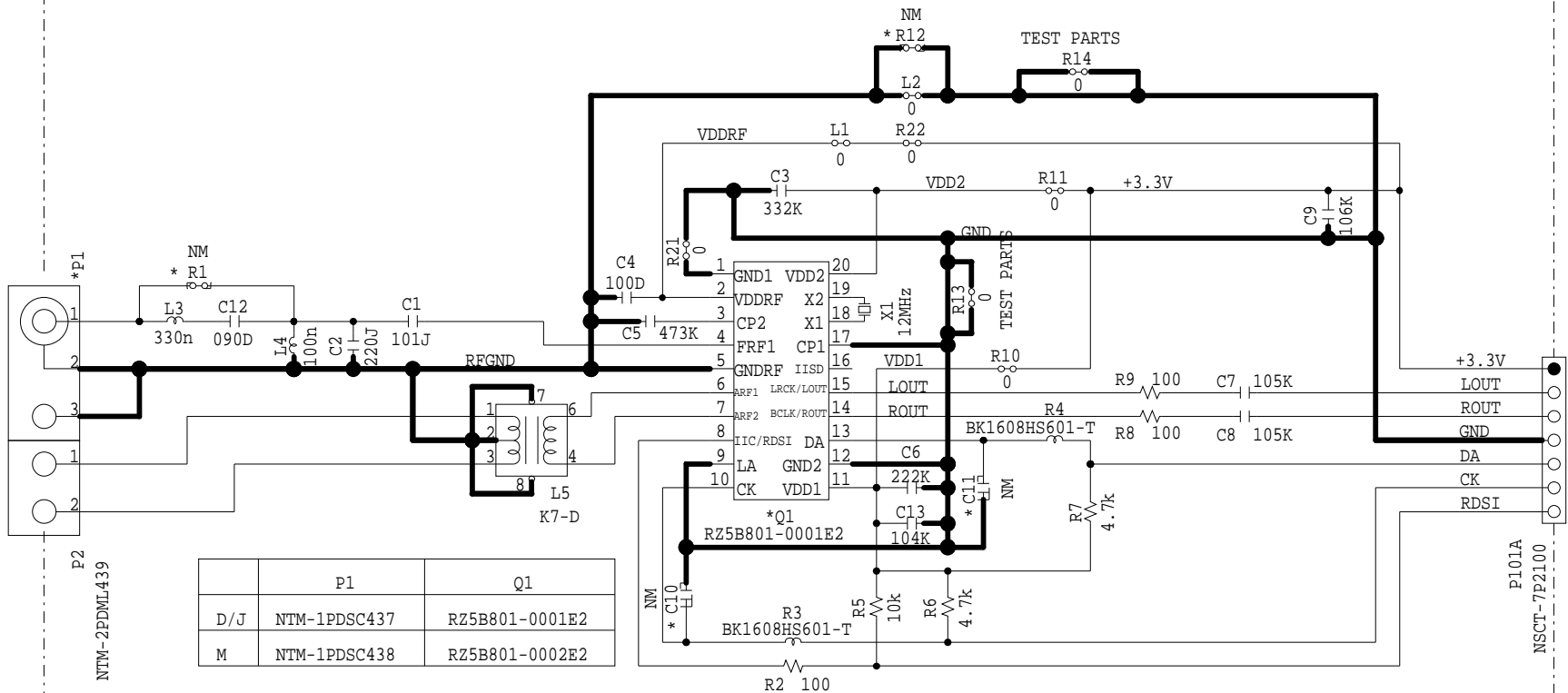


D8900-D8902: To prevent reverse voltage from HDMI TX.

MODEL NO. VSX-831/LX101/1131/LX301

SCHEMATIC DIAGRAM (PART-11) TUNER SECTION

BARF-1987/1995/2003/2012/2019

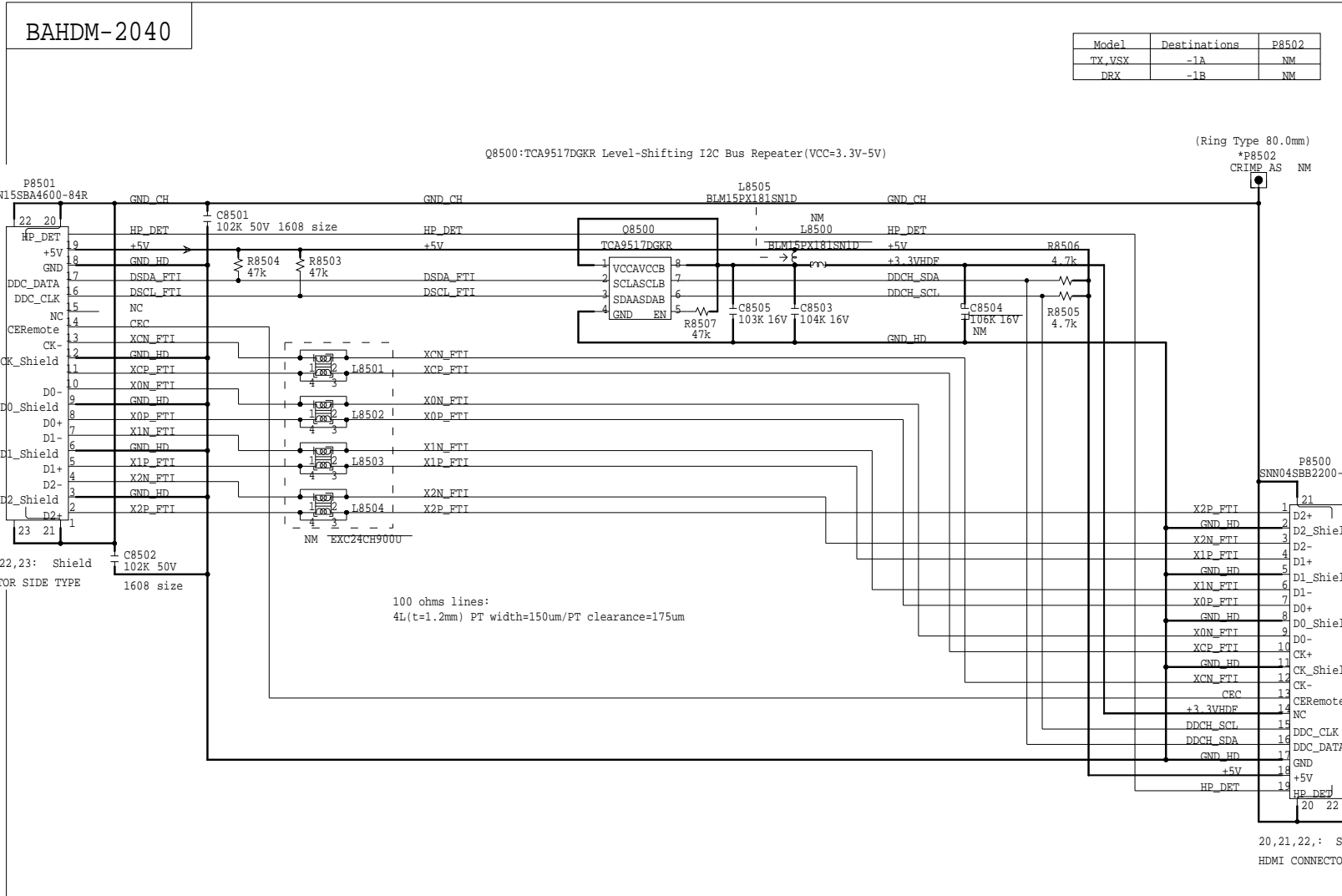


TO BADG-1985/2001/2017/2032(PART-9)

P101A  
NSCT-7P2100

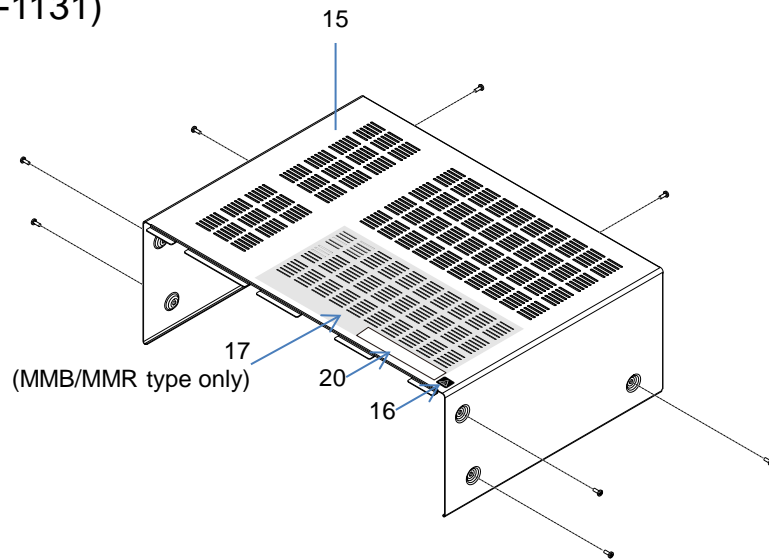
MODEL NO. VSX-1131/LX301  
SCHEMATIC DIAGRAM (PART-12)

FRONT HDMI SECTION



BAPRC-2034  
(Part-10 SHEET 39/51)

# Overview (VSX-1131)



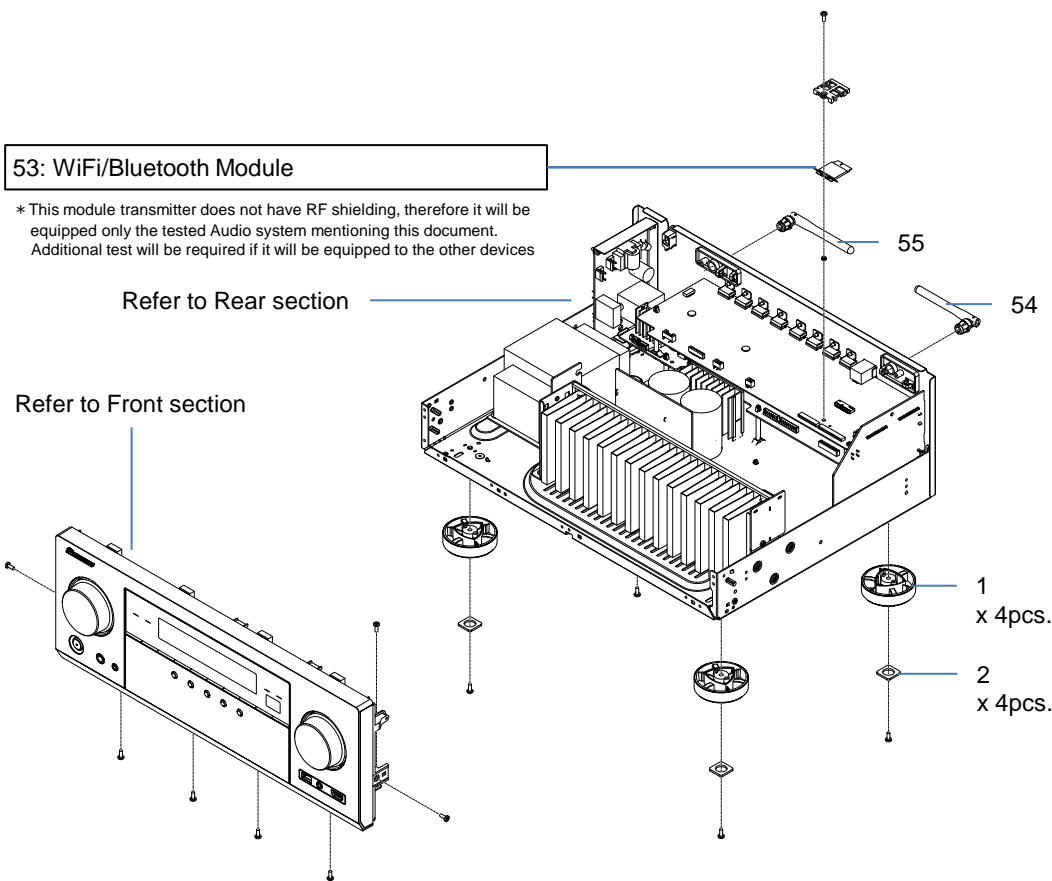
(MMB/MMR type only)

## 53: WiFi/Bluetooth Module

\* This module transmitter does not have RF shielding, therefore it will be equipped only the tested Audio system mentioning this document. Additional test will be required if it will be equipped to the other devices

Refer to Rear section

Refer to Front section



# Exploded View

## \*WiFi & Bluetooth Module has already been certified by FCC and IC.

Information to the user.  
Indicate "Contains FCC ID: TX2-RTL8821AE", "Contains IC: 6317A-RTL8821AE" and following information to the host device installed.

This device complies with part 15 of the FCC Rules. Operation is subject to the following two conditions: (1) This device may not cause harmful interference, and (2) this device must accept any interference received, including interference that may cause undesired operation.

Describe the following sentence to a user's manual of the host device.

[For FCC]

### FCC CAUTION

Changes or modifications not expressly approved by the party responsible for compliance could void the user's authority to operate the equipment.

Note: This equipment has been tested and found to comply with the limits for a Class B digital device, pursuant to part 15 of the FCC Rules. These limits are designed to provide reasonable protection against harmful interference in a residential installation. This equipment generates, uses and can radiate radio frequency energy and, if not installed and used in accordance with the instructions, may cause harmful interference to radio communications. However, there is no guarantee that interference will not occur in a particular installation. If this equipment does cause harmful interference to radio or television reception, which can be determined by turning the equipment off and on, the user is encouraged to try to correct the interference by one or more of the following measures:

- Reorient or relocate the receiving antenna.
- Increase the separation between the equipment and receiver.
- Connect the equipment into an outlet on a circuit different from that to which the receiver is connected.
- Consult the dealer or an experienced radio/TV technician for help.

This transmitter must not be co-located or operated in conjunction with any other antenna or transmitter.

This equipment complies with FCC radiation exposure limits set forth for an uncontrolled environment and meets the FCC radio frequency (RF) Exposure Guidelines in Supplement C to OET65. This equipment has very low levels of RF energy that it deemed to comply without maximum permissive exposure evaluation (MPE). But it is desirable that it should be installed and operated keeping the radiator at least 20cm or more away from person's body (excluding extremities: hands, wrists, feet and ankles).

[For IC]

CAN ICES-3 B/NMB-3 B

This device complies with Industry Canada licence-exempt RSS standard(s). Operation is subject to the following two conditions: (1) this device may not cause interference, and (2) this device must accept any interference, including interference that may cause undesired operation of the device.

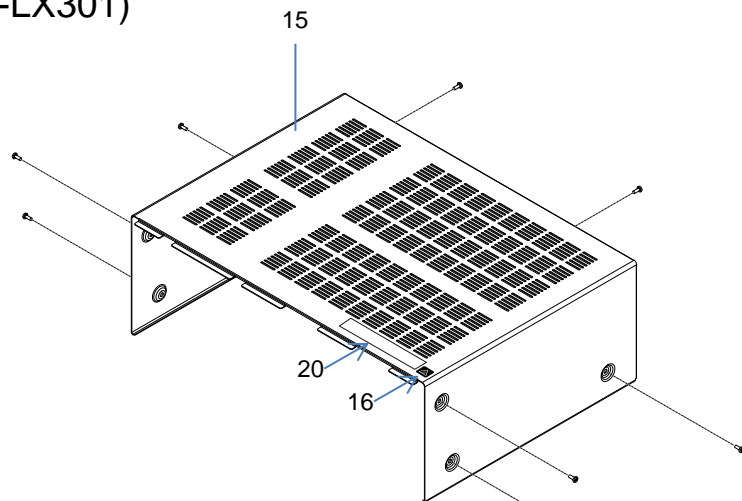
Le présent appareil est conforme aux CNR d'Industrie Canada applicables aux appareils radio exempts d'licence. L'exploitation est autorisée aux deux conditions suivantes : (1) l'appareil ne doit pas produire de brouillage, et (2) l'utilisateur de l'appareil doit accepter tout brouillage radioélectrique subi, même si le brouillage est susceptible d'en compromettre le fonctionnement.

This equipment complies with IC radiation exposure limits set forth for an uncontrolled environment and meets RSS-102 of the IC radio frequency (RF) Exposure rules. This equipment has very low levels of RF energy that it deemed to comply without maximum permissive exposure evaluation (MPE). But it is desirable that it should be installed and operated keeping the radiator at least 20cm or more away from person's body (excluding extremities: hands, wrists, feet and ankles).

Cet équipement est conforme aux limites d'exposition aux rayonnements énoncées pour un environnement non contrôlé et respecte les règles d'exposition aux fréquences radioélectriques (RF) CNR-102 de l'IC. Cet équipement émet une énergie RF très faible qui est considérée conforme sans évaluation de l'exposition maximale autorisée. Cependant, cet équipement doit être installé et utilisé en gardant une distance de 20 cm ou plus entre le dispositif rayonnant et le corps (à l'exception des extrémités : mains, poignets, pieds et chevilles).

# Overview (VSX-LX301)

# Exploded View

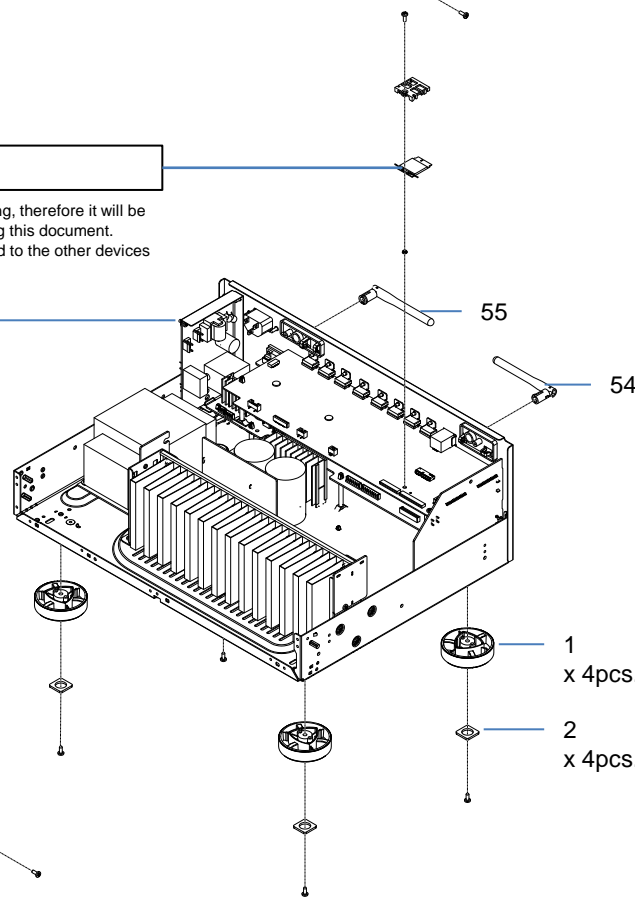


## 53: WiFi/Bluetooth Module

\* This module transmitter does not have RF shielding, therefore it will be equipped only the tested Audio system mentioning this document. Additional test will be required if it will be equipped to the other devices

Refer to Rear section

Refer to Front section



### \* WiFi & Bluetooth Module has already been certified by FCC and IC.

Information to the user.  
Indicate "Contains FCC ID: TX2-RTL8821AE", "Contains IC: 6317A-RTL8821AE" and following information to the host device installed.

This device complies with part 15 of the FCC Rules. Operation is subject to the following two conditions: (1) This device may not cause harmful interference, and (2) this device must accept any interference received, including interference that may cause undesired operation.

Describe the following sentence to a user's manual of the host device.

[For FCC]

#### FCC CAUTION

Changes or modifications not expressly approved by the party responsible for compliance could void the user's authority to operate the equipment.

Note: This equipment has been tested and found to comply with the limits for a Class B digital device, pursuant to part 15 of the FCC Rules. These limits are designed to provide reasonable protection against harmful interference in a residential installation. This equipment generates, uses and can radiate radio frequency energy and, if not installed and used in accordance with the instructions, may cause harmful interference to radio communications. However, there is no guarantee that interference will not occur in a particular installation. If this equipment does cause harmful interference to radio or television reception, which can be determined by turning the equipment off and on, the user is encouraged to try to correct the interference by one or more of the following measures:

- Reorient or relocate the receiving antenna.
- Increase the separation between the equipment and receiver.
- Connect the equipment into an outlet on a circuit different from that to which the receiver is connected.
- Consult the dealer or an experienced radio/TV technician for help.

This transmitter must not be co-located or operated in conjunction with any other antenna or transmitter.

This equipment complies with FCC radiation exposure limits set forth for an uncontrolled environment and meets the FCC radio frequency (RF) Exposure Guidelines in Supplement C to OET65. This equipment has very low levels of RF energy that it deemed to comply without maximum permissive exposure evaluation (MPE). But it is desirable that it should be installed and operated keeping the radiator at least 20cm or more away from person's body (excluding extremities: hands, wrists, feet and ankles).

[For IC]

CAN ICES-3 B/NMB-3 B

This device complies with Industry Canada licence-exempt RSS standard(s). Operation is subject to the following two conditions: (1) this device may not cause interference, and (2) this device must accept any interference, including interference that may cause undesired operation of the device.

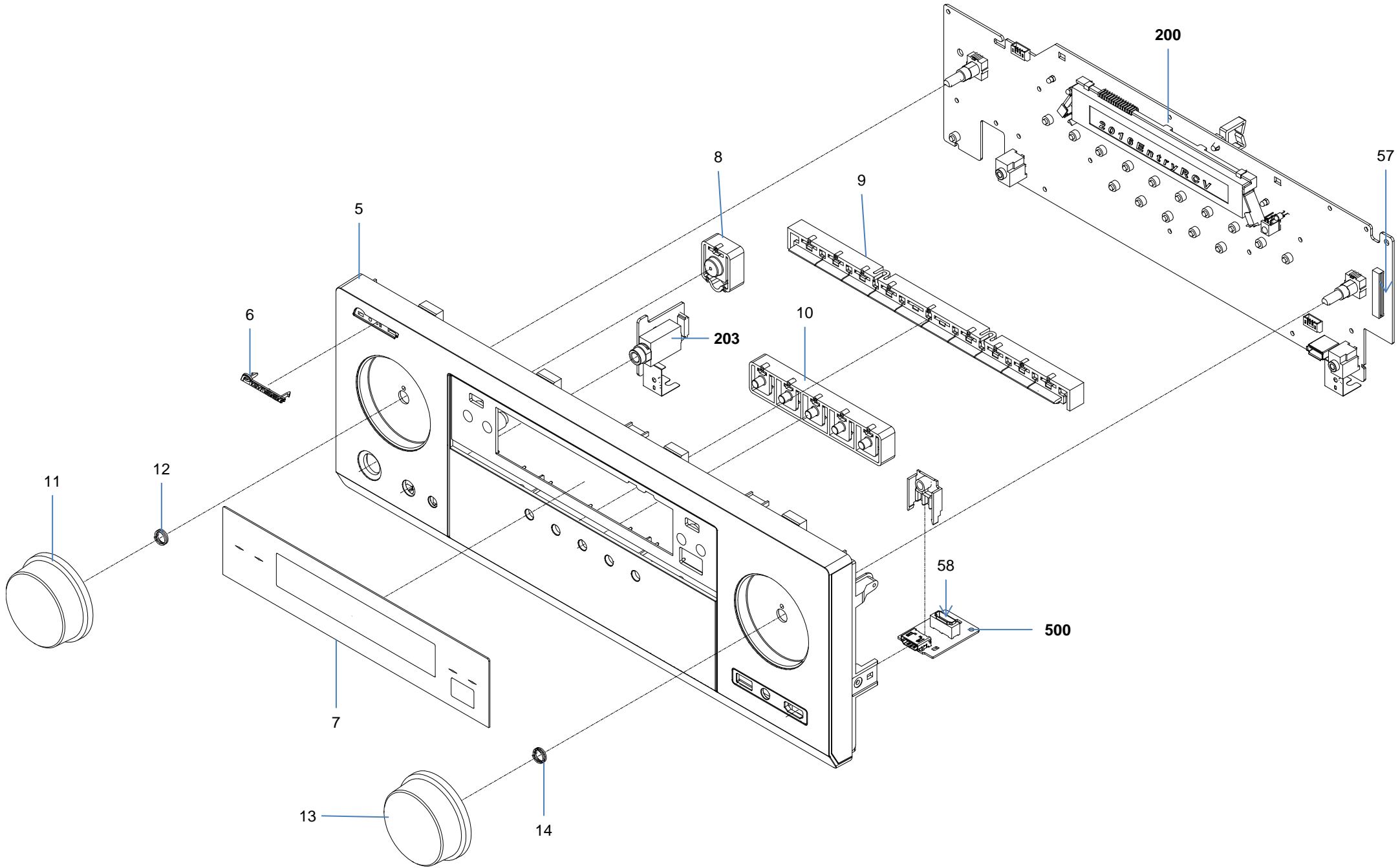
Le présent appareil est conforme aux CNR d'Industrie Canada applicables aux appareils radio exempts d'licence. L'exploitation est autorisée aux deux conditions suivantes : (1) l'appareil ne doit pas produire de brouillage, et (2) l'utilisateur de l'appareil doit accepter tout brouillage radioélectrique subi, même si le brouillage est susceptible d'en compromettre le fonctionnement.

This equipment complies with IC radiation exposure limits set forth for an uncontrolled environment and meets RSS-102 of the IC radio frequency (RF) Exposure rules. This equipment has very low levels of RF energy that it deemed to comply without maximum permissive exposure evaluation (MPE). But it is desirable that it should be installed and operated keeping the radiator at least 20cm or more away from person's body (excluding extremities: hands, wrists, feet and ankles).

Cet équipement est conforme aux limites d'exposition aux rayonnements énoncées pour un environnement non contrôlé et respecte les règles d'exposition aux fréquences radioélectriques (RF) CNR-102 de l'IC. Cet équipement émet une énergie RF très faible qui est considérée conforme sans évaluation de l'exposition maximale autorisée. Cependant, cet équipement doit être installé et utilisé en gardant une distance de 20 cm ou plus entre le dispositif rayonnant et le corps (à l'exception des extrémités : mains, poignets, pieds et chevilles).

Front section (VSX-1131/LX301)

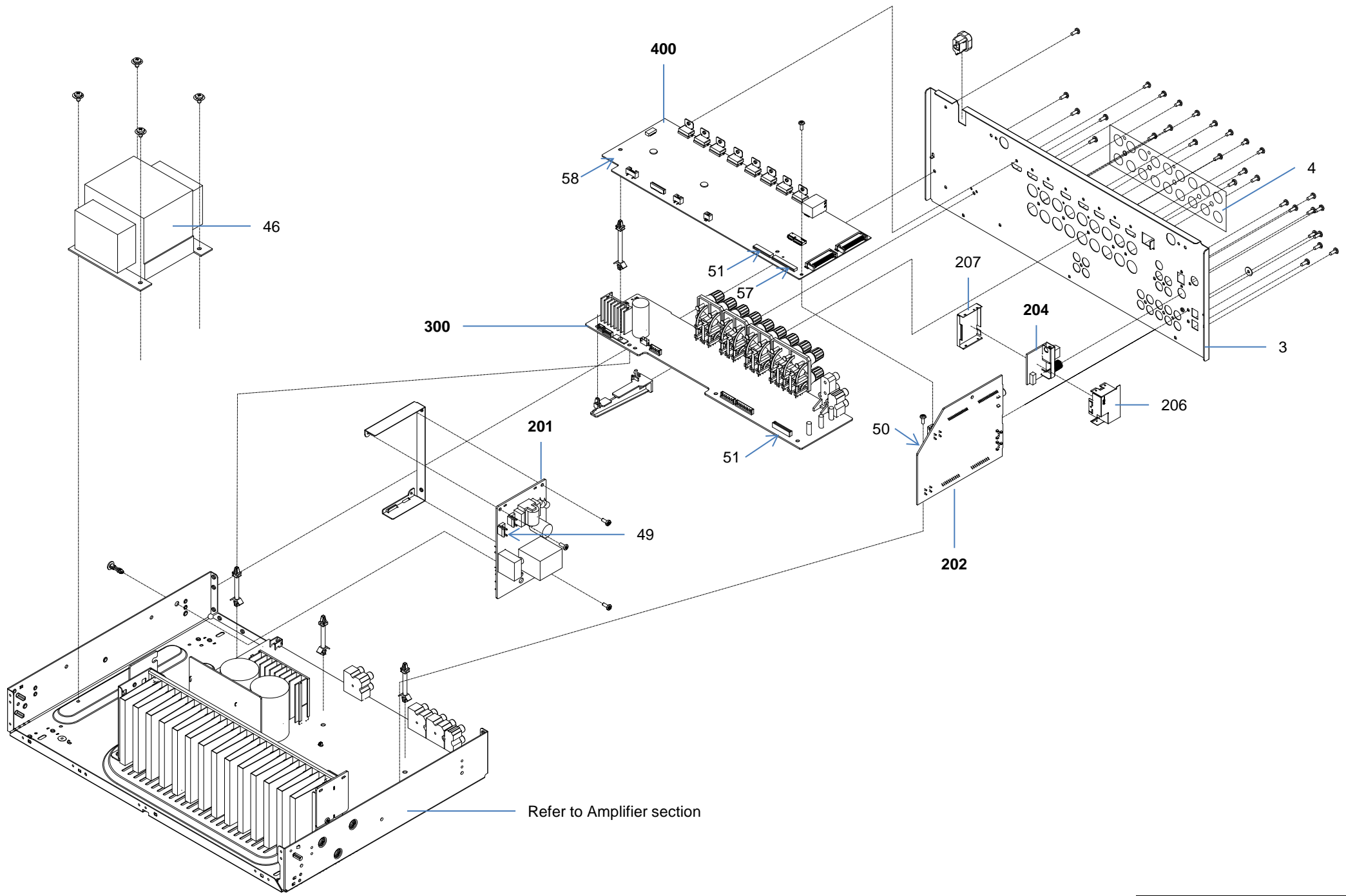
Exploded View





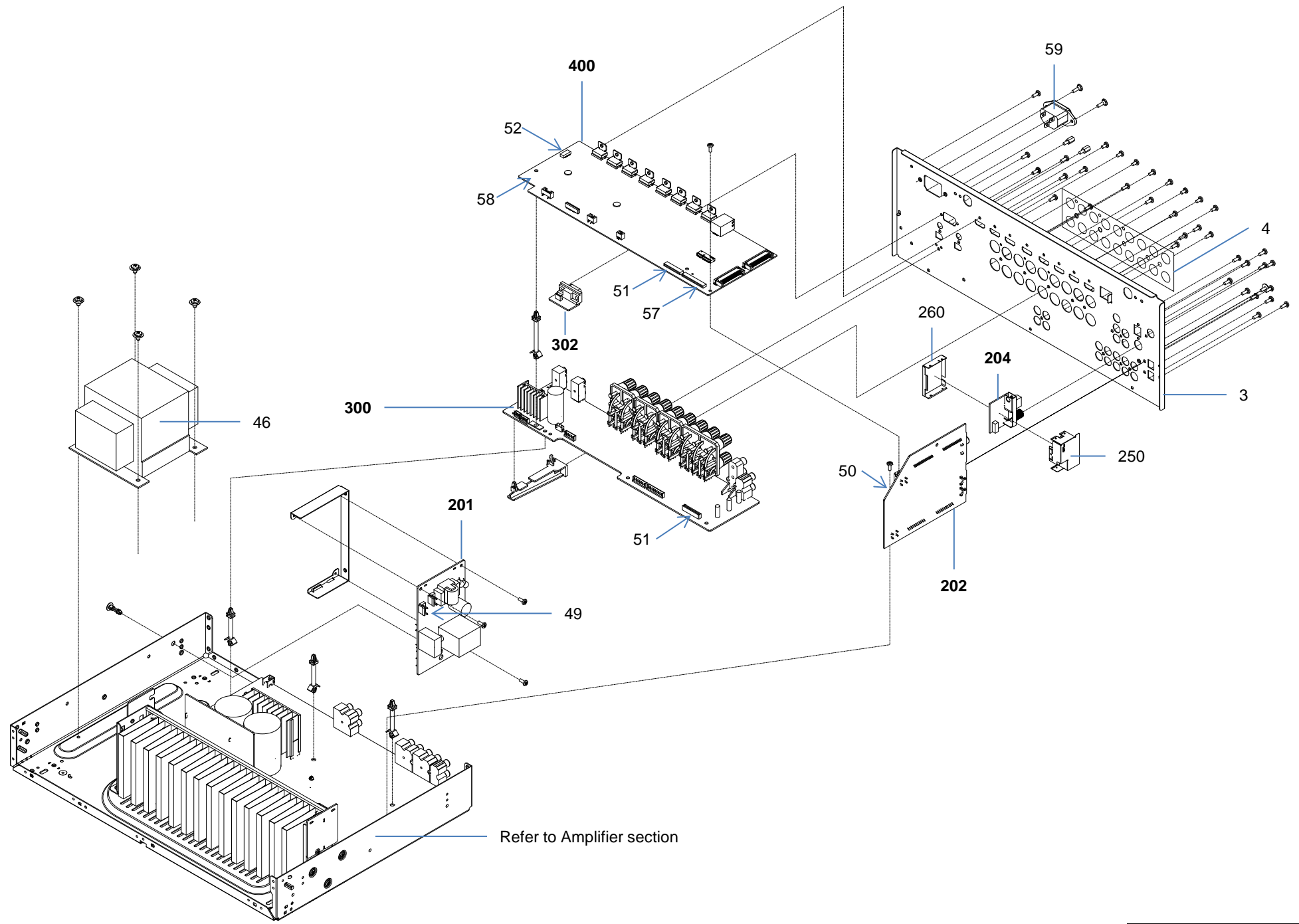
Rear section (VSX-1131)

Exploded View



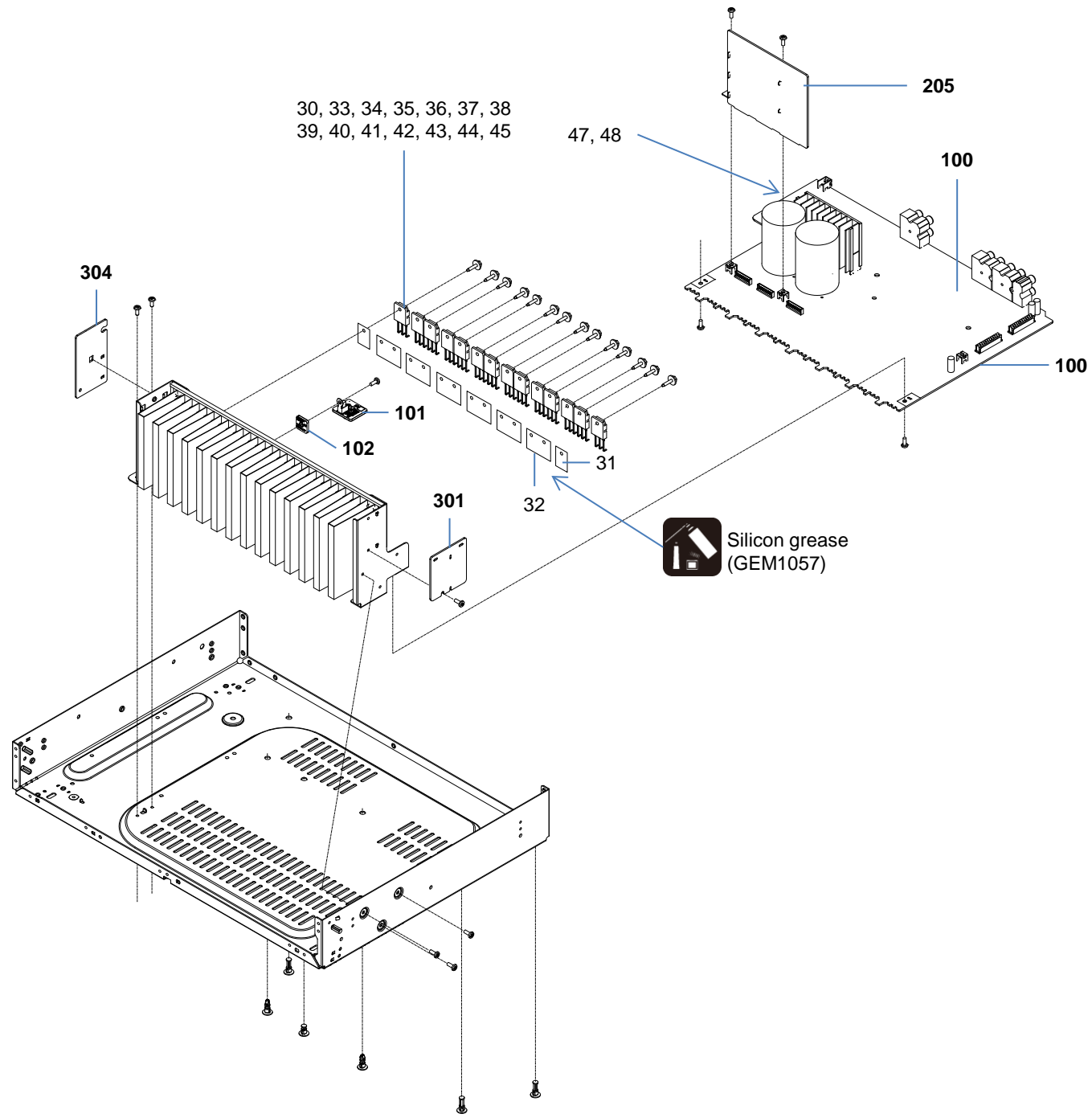
Rear section (VSX-LX301)

Exploded View



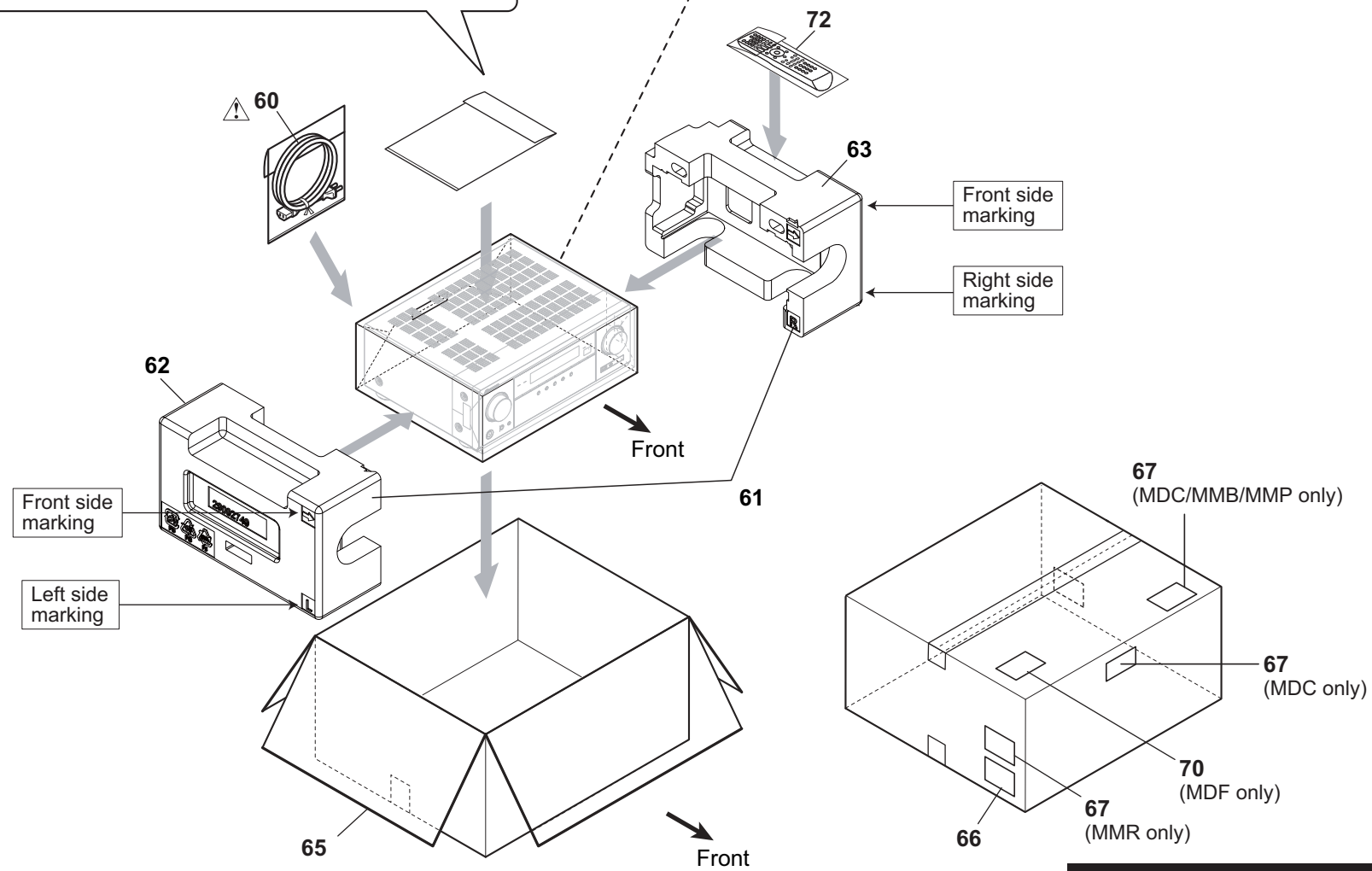
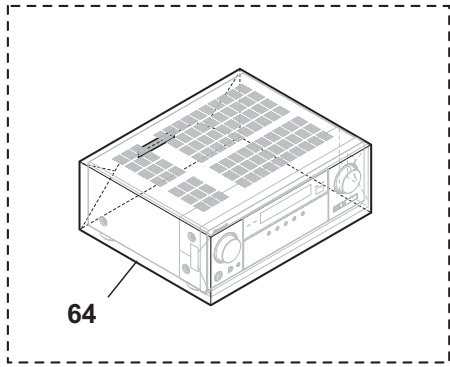
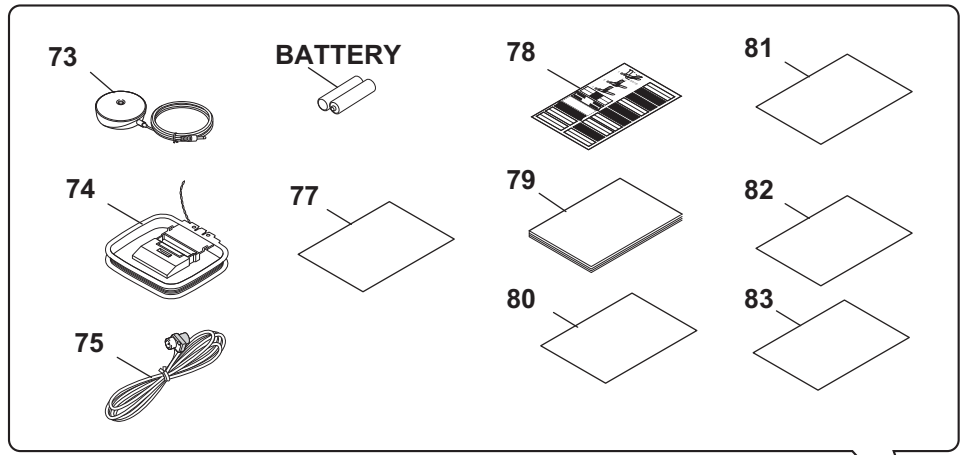
Amplifier section (VSX-1131/LX301)

**Exploded View**



Packing Section

Exploded View



# Model List

Abbreviated Model Name	Full Model Name
V8	VSX-831
L1	VSX-LX101
V11	VSX-1131
L3	VSX-LX301

※\*\*J(like T6J) is MJJ of model.

※List

Abbreviated Model Name	※List-A	※List-B	※List-C	※List-D	※List-E
T5/T6/Z6/H6/T7/Z7/Z8	DIMMER	Rotate rotary encoder of TONE	TONE	TV	TONE
D2/D3/D4/D5	DIMMER or INFO or Tone+	TONE+	TONE or MEMORY	TV	TONE or MEMORY
V8/L1	DIMMER	TuneUP	FAVORITE	RETURN	SOUND RETRIEVER
V11/L3	DIMMER	TuneUP	Zone2 Ctrl	RETURN	SOUND RETRIEVER

# Operation check

## About Button Action

Use the following expression simplify description button operation.

Example-1 :

[TV/CD] + [ON/STANDBY] → [BD/DVD]

Means press and hold [ON/STANDBY] button while pressing [TV/CD] button, then press [BD/DVD] button.

Example-2 :

[DISPLAY] + [ON/STANDBY] x 2 → [DIMMER] or [RT/PTY/TP]

Means press and hold [ON/STANDBY] button two times while pressing [DISPLAY] button, then press [DIMMER] or [RT/PTY/TP] button.

## How to check MAIN Checksum

**Step1** : Set VOL Level = -42

**Step2** : [List-A(※)] + [ON/STANDBY] x 2 → [ENTER]

## Initial Setting for Shipping (Service Information is also cleared.)

**Step1** : Set VOL Level = -42

**Step2** : [List-E (※)] + [ON/STANDBY] → [Return] x 2

Display "All Clear" of FL tube and AVR goes standby.

**Step3** : Unplug the power cord

## How to check FL Tube and LED Operation

**Step1** : Set VOL Level = -42

**Step2** : [List-D (※)] + [ON/STANDBY] → [DIMMER]

Lit all FL-Segment and LED.

**Step3** : [List-B (※) +]

Lit '23456789ABCDEF'.

**Step4** : [List-B (※) +]

Lit a even number segment.

**Step5** : [List-B (※) +]

Lit an odd number segment.

**Step6** : [List-B (※) +]

Lit 'DIMMER CHECK: 255'.

**Step7** : [List-B (※) +]

The Destination setting is displayed.

※ : Refer to [Model List](#).

# HDMI resolution display

HDMI-related operations can be checked to some extent by displaying HDMI resolution display mode.

## How to enter to this mode

[ENTER] Hold down for 3 seconds

Display of the input signal (for 5 seconds)

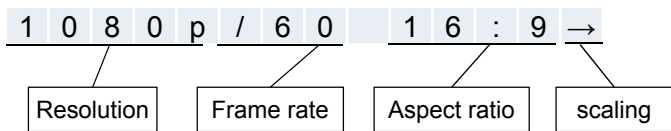


Display of the output signal (for 5 seconds)

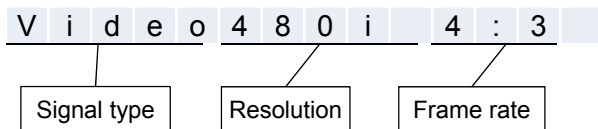
# HDMI resolution display

## Normal input signal

Digital



Analog



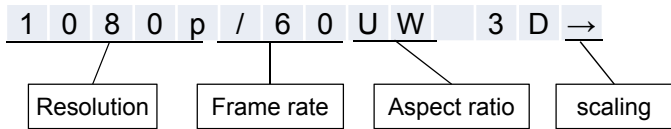
Input signal	Display
• DVI	<div style="border: 1px solid black; padding: 2px; display: inline-block;">4 8 0 i / 6 0 D V I</div> <div style="border: 1px solid black; padding: 2px; display: inline-block;">4 8 0 P / 6 0 D V I</div>
• VGA(DVI)	<div style="border: 1px solid black; padding: 2px; display: inline-block;">* V G A / 5 9 4 : 3</div>
• Pixel Repetition	Pixel Rep. 2: D (Except 480i) Pixel Rep. 4: Q <div style="border: 1px solid black; padding: 2px; display: inline-block;">D 4 8 0 p / 6 0 1 6 : 9</div> Pixel Rep. 8: O
• CVBS	<div style="border: 1px solid black; padding: 2px; display: inline-block;">V i d e o 4 8 0 i 4 : 3</div>
• Component	<div style="border: 1px solid black; padding: 2px; display: inline-block;">C M P 5 7 6 i 1 6 : 9</div>
• 21:9 (Pixel AR ≠ 1:1)	<div style="border: 1px solid black; padding: 2px; display: inline-block;">1 0 8 0 p / 6 0 2 1 : 9</div>
• 21:9 (Pixel AR = 1:1)	<div style="border: 1px solid black; padding: 2px; display: inline-block;">1 0 8 0 w / 6 0 2 1 : 9</div>
• LTE TMDS Clock340MHz ( Scrambled input )	<div style="border: 1px solid black; padding: 2px; display: inline-block;">1 0 8 0 p / 6 0 S 1 6 : 9</div>
• No input	<div style="border: 1px solid black; padding: 2px; display: inline-block;">U n k n o w n</div>





# HDMI resolution display

## 3D input signal



Display Status (Normal output resolution)

4 K 6 0 p 4 4 4 2 4 b i t



3D format

S i d e b y S i d e ( H )

<ul style="list-style-type: none"> <li>• 3D aspect ratio</li> </ul>	<ul style="list-style-type: none"> <li>• 4:3→SD</li> <li>• 16:9→None</li> <li>• 21:9→UW</li> </ul>	<table border="1"> <tr> <td>1</td><td>0</td><td>8</td><td>0</td><td>P</td><td>/</td><td>6</td><td>0</td><td>U</td><td>W</td><td></td><td>3</td><td>D</td><td>→</td> </tr> </table>	1	0	8	0	P	/	6	0	U	W		3	D	→
1	0	8	0	P	/	6	0	U	W		3	D	→			

3D format	Display
• Frame Packing	F r a m e P a c k i n g
• Field alternative	F a l t e r n a t i v e
• Line alternative	L a l t e r n a t i v e
• Side-by-Side(Full)	S i d e b y S i d e ( F )
• L+depth	L + d e p t h
• L+depth + graphics	L + d e p t h g r a p h i c
• Side by Side(Harf)	S i d e b y S i d e ( H )
• Top and Bottom	T o p - a n d - B o t t o m
• unknown	U n k n o w n

# HDMI resolution display

## PC input signal

Input resolution

1 0 2 4 x 7 6 8 p / 6 0



Output resolution

Y C b C r 4 2 4 3 6 b i t

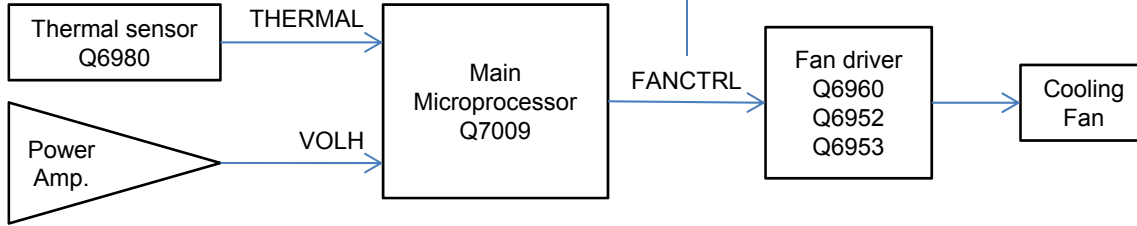
Input Signal	Display																											
	<table border="1"> <tr> <td>*</td><td>*</td><td>*</td><td>*</td><td>x</td><td>*</td><td>*</td><td>*</td><td>*</td><td>p</td><td>/</td><td>*</td><td>*</td><td></td> </tr> <tr> <td colspan="5">Horizontal</td> <td colspan="4">Vertical</td> <td colspan="4">Ref Rate</td> </tr> </table>	*	*	*	*	x	*	*	*	*	p	/	*	*		Horizontal					Vertical				Ref Rate			
*	*	*	*	x	*	*	*	*	p	/	*	*																
Horizontal					Vertical				Ref Rate																			
• DVI	Big 'P'	1	0	2	4	x		7	6	8	P	/	6	0														
1	0	2	4	x		7	6	8	P	/	6	0																
• HDMI	Small 'p'	1	0	2	4	x		7	6	8	p	/	6	0														
1	0	2	4	x		7	6	8	p	/	6	0																
• Ref Rate 3 digit		1	0	2	4	x		7	6	8	P	1	2	0														
1	0	2	4	x		7	6	8	P	1	2	0																
• LTE 340MHz		1	0	2	4	x		7	6	8	P	1	2	0	s													
1	0	2	4	x		7	6	8	P	1	2	0	s															
• No input		U	n	k	n	o	w	n																				
U	n	k	n	o	w	n																						

# Cooling fan

## Cooling Fan

E.g. (TX-RZ800)

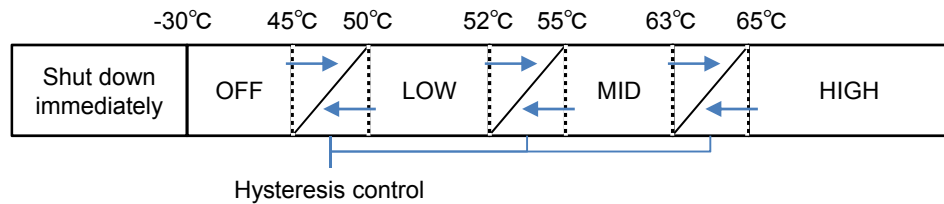
OFF	0V
LOW	2.0V
MID	2.7V
HIGH	3.3V



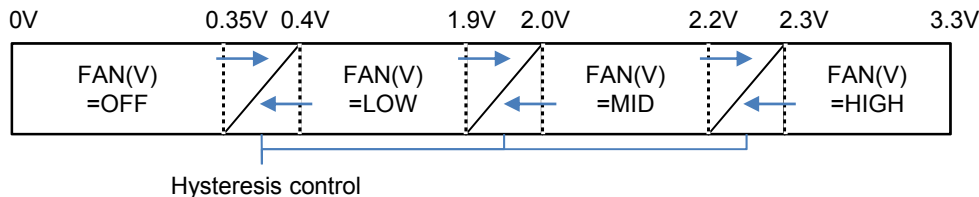
## Table of THERMAL and VOLH

		VOLH			
		OFF or Headphone	LOW	MID	HIGH
THERMAL	OFF	STOP	STOP	STOP	STOP
	LOW	LOW	LOW	LOW	LOW
	MID	LOW	MID	MID	MID
	HIGH	HIGH	HIGH	HIGH	HIGH

## THERMAL (Temperature of thermal sensor)



## VOLH (Voltage of VOLH port)



## How to check cooling fan

**Step1** : Set VOL Level = -42

**Step2** : Confirm fan that is not rotating.

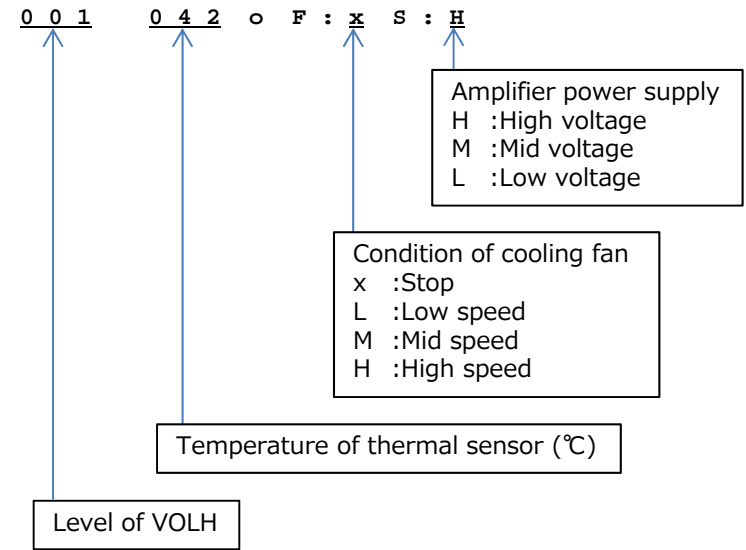
**Step3** : Set the following test mode and confirm fan that is rotating at low speed.  
TEST 1-08 :  
[RETURN] + [ON/STANDBY] → [SURROUND] → [TUNE DOWN] x 3

**Step4** : Set the following test mode and confirm fan that is rotating at high speed.  
TEST 1-07 :  
[RETURN] + [ON/STANDBY] → [SURROUND] → [TUNE DOWN] x 4

※**Note**: Do not connect speaker during this check.

## How to display Output Sensor & Temperature Sensor

[List-A (※)] + [ON/STANDBY] x 2 → [List-C (※)]



※ : Refer to [Model List](#).

# Service information

## Displaying Service information

This service information display system is helpful in analyze the status when the unit goes into Protect mode and is powered off. Pay attention that the status will change if a button is pushed.

## How to enter to service information mode.

**Step1 :**  
[DIMMER] + [ON/STANDBY] x 2

M1.xx / xxxxxAEx

The version of main microprocessor.  
(displayed only for 3 seconds)

**Step2 :**  
[HOME MENU]

1 - 80 F 27 DD

History No.  
: 1 ~ 3  
(1 is latest.)

Temperature  
: xx F or xx C

Volume Level

Listening Mode  
Please see the "Listening Mode  
code list" on the next page.

Power off Cause  
T : Thermal Protect  
V : Voltage Protect  
I : Current Protect  
- : Other

**Step3 :**  
[HOME MENU]

1 01:23 10h

History No.  
: 1 ~ 3  
(1 is latest.)

Time after Power on  
xx : xx

Cumulative operation time after Reset  
: xx h

Information Displayed  
(Record this Information)

### Note)

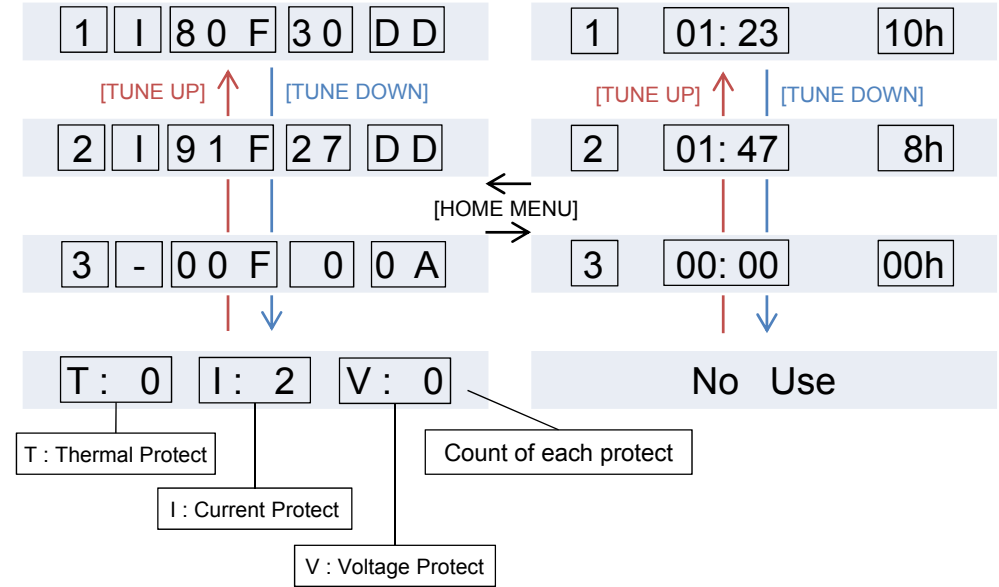
If press [ENTER] during service information mode, the following display will appear.  
And Self-diagnostic will start at when next turn on.

A M P D I A G N O S T I C

# Appendix

## How to change History No. 1 ~ 3.

[TUNE UP] or [TUNE DOWN]



## How to exit the service information mode.

[ON/STANDBY]

Normal display

[RETURN] (to initialize the data in the service information.)

Protect Data CLR



Normal display

# Service Information

# Appendix

## Listening Mode Code List

00	NORMAL_LMD_BEGIN	20	SURR_LMD_BEGIN	50	THX_MUSIC_LMD_BEGIN	90	THX_CINEMA_LMD_BEGIN	D0	AUDYSSEY_LMD_BEGIN
01	LAST	21	SURR_20_PLII_MOVIE	51	THX_20_PLII_MUSIC	91	THX_20_PLII_MOVIE	D1	AUDYSSEY_20_PLII_MUSIC
02	PURE	22	SURR_20_PLII_MUSIC	52	THX_20_PLIIX_MUSIC	92	THX_20_PLIIX_MOVIE	D2	AUDYSSEY_20_PLIIX_MUSIC
03	DIRECT	23	SURR_20_PLII_GAME	53	THX_20_PLIIZ_MUSIC	93	THX_20_PLIIZ_CINEMA	D3	AUDYSSEY_20_NEO6_MUSIC
04	STEREO	24	SURR_20_PLIIX_MOVIE	54	THX_20_NEO6_MUSIC	94	THX_20_NEO6_MOVIE	D4	AUDYSSEY_20_NEURAL_CINEMA
05	MONO	25	SURR_20_PLIIX_MUSIC	55	THX_20_NEURAL_MUSIC	95	THX_20_NEURAL_CINEMA	D5	AUDYSSEY_20_NEURAL_MUSIC
06	ORCHESTRA	26	SURR_20_PLIIX_GAME	56	THX_51_OFF_MUSIC	96	THX_51_OFF_CINEMA	D6	AUDYSSEY_20_PLII_MOVIE
07	UNPLUGGED	27	SURR_20_PLIIZ	57	THX_51_MTR_MUSIC	97	THX_51_MTR_CINEMA	D7	AUDYSSEY_20_PLIIX_MOVIE
08	STUDIOMIX	28	SURR_20_NEO6_MOVIE	58	THX_51_DSC_MUSIC	98	THX_51_DSC_CINEMA	D8	AUDYSSEY_20_NEO6_MOVIE
09	TVLOGIC	29	SURR_20_NEO6_MUSIC	5A	THX_51_PLIIX_MUSIC	99	THX_51_NEO6_CINEMA	D9	AUDYSSEY_20_PLII_GAME
0A	ALLCHST	2A	SURR_20_NEURAL_MUSIC	5B	THX_51_PLIIZ_MUSIC	9A	THX_51_PLIIX_MOVIE	DA	AUDYSSEY_20_PLIIX_GAME
0B	FULLMONO	2B	SURR_20_NEURAL_CINEMA	5C	THX_51_NEO6_MUSIC	9B	THX_51_PLIIZ_CINEMA	DB	AUDYSSEY_51_OFF
0C	TD	2C	SURR_51_OFF	5D	THX_51_NEURAL_MUSIC	9C	THX_51_NEURAL_CINEMA	DC	AUDYSSEY_51_PLIIX_MUSIC
0D	RPG	2D	SURR_51_MTR	5E	THX_20_NEOX_MUSIC	9D	THX_51_EX	DD	AUDYSSEY_51_PLIIX_MOVIE
0E	ACTION	2E	SURR_51_DSC	5F	THX_51_NEOX_MUSIC	9E	THX_20_NEOX_CINEMA	DE	AUDYSSEY_51_NEO6
0F	ROCKBAND	2F	SURR_51_NEO6	60	THX_20_DOLBY_SURR_MUSIC	9F	THX_51_NEOX_CINEMA	DF	AUDYSSEY_51_NEURAL_CINEMA
10	SPORTS	30	SURR_51_EX	61	THX_51_DOLBY_SURR_MUSIC	A0	THX_20_DOLBY_SURR_CINEMA	E0	// AUDYSSEY_51_NEURAL_MUSIC
11	WHOLEHOUSE	31	SURR_51_PLIIX_MOVIE	62	THX_MUSIC_LMD_END	A1	THX_51_DOLBY_SURR_CINEMA	E1	AUDYSSEY_51_EX
12	RPG_GENRE	32	SURR_51_PLIIX_MUSIC			A2	THX_CINEMA_LMD_END	E2	AUDYSSEY_LMD_END
13	ACTION_GENRE	33	SURR_51_PLIIZ	70	THX_GAME_LMD_BEGIN				
14	ROCKBAND_GENRE	34	SURR_51_NEURAL_CINEMA	71	THX_20_PLII_GAME	B0	THX_U2GAME_LMD_BEGIN	F0	SPECIAL_LMD_BEGIN
15	SPORTS_GENRE	35	SURR_20_NEOX_CINEMA	72	THX_20_PLIIX_GAME	B1	THX_20_PLII_SLCT2_GAME	F1	TESTTONE
12	NORMAL_LMD_END	36	SURR_20_NEOX_MUSIC	73	THX_20_PLIIZ_GAME	B2	THX_20_PLIIZ_SLCT2_GAME	F2	TESTTHR
		37	SURR_20_NEOX_GAME	74	THX_20_NEURAL_GAMES	B3	THX_51_SLCT2_GAM	F3	TESTAUTO
		38	SURR_51_NEOX_CINEMA	75	THX_51_OFF_GAMES	B4	THX_51_PLIIZ_SLCT2_GAME	F4	ASC
		39	SURR_51_NEOX_MUSIC	76	THX_51_MTR_GAMES	B5	THX_U2GAME_LMD_END	F5	FLASH
		40	SURR_51_NEOX_GAME	77	THX_51_DSC_GAMES			F6	DEBUGMODE
		41	SURR_20_DOLBY_SURR	78	THX_51_PLIIX_GAME	B6	THX_U2MUSIC_LMD_BEGIN	F7	FLASH2
		42	SURR_51_DOLBY_SURR	79	THX_51_PLIIZ_GAMES	B7	THX_51_SLCT2_MUS	F8	FLASH3
		43	SURR_LMD_END	7A	THX_51_NEO6_GAMES	B8	THX_51_PLIIZ_SLCT2_MUSIC	F9	FLASH4
				7B	THX_51_NEURAL_GAMES	B9	THX_U2MUSIC_LMD_END	FA	FLASH_CHECK
		48	DTSSS_LMD_BEGIN	7C	THX_20_NEOX_GAMES	BA	THX_U2CINEMA_LMD_BEGIN	FB	SPECIAL_LMD_END
		49	DTSSS_20_NEO6_MUSIC	7D	THX_51_NEOX_GAMES	BB	THX_51_SLCT2_CIN		
		4A	DTSSS_20_NEO6_CINEMA	7E	THX_20_DOLBY_SURR_GAME	BC	THX_51_PLIIZ_SLCT2_CINEMA		
		4B	DTSSS_51	7F	THX_51_DOLBY_SURR_GAME	BD	THX_U2CINEMA_LMD_END		
		4C	DTSSS_LMD_END	80	THX_GAME_LMD_END				

**VSX-1131(B)MDC****<Note>**

Parts marked by "NSP" are generally unavailable because they are not in our Master Spare Parts List.

**NOTE : THE COMPONENTS IDENTIFIED BY THE MARK ! ARE CRITICAL FOR RISK OF FIRE AND ELECTRIC SHOCK. REPLACE ONLY WITH PART**

**<Notes>**

**NSP**

**(B) : Black color model**

**<MDC> : 120V**

**Canadian/USA/(Mexico) model**

REF. NO.	PART NAME	DESCRIPTION	Q'TY	PART NO. (SN)	REMARKS
<b>[ Cabinet, Chassis, Screws, Nuts ]</b>					
1	BOTTOM LEG	(PI)(G)	4	27175481	N
2	CUSHION	(LEG-PI)	4	28141970	
3	REAR PANEL	VSX1131MDC	1	27124731A	
4	LABEL	(SP9ch)_pi	1	29393143	
5	FRONT PANEL	VSX1131(B)DC/EX	1	27213847	
6	BADGE	AAM7016-A	1	28135326	N
7	CLEAR PLATE	VSX1131(B)DC	1	28192478	
8	KNOB	(STBY)VSX831(B)	1	28327266	
9	KNOB	(SEL)	1	28327265	
10	KNOB	(MODE)VSX831(B)	1	28327263	
11	KNOB	(VOL)VSX831(B)	1	28327268	
12	SPRING	.	{1}	27180575	
13	KNOB	(VOL)VSX831(B)	1	28327268	
14	SPRING	.	{1}	27180575	
15	COVER	VSX831(B) (Bent)	1	28210149-1	
16	LABEL	(CAUTION)	1	29392531	
20	LABEL	(fwup-w-dtsx)set	1	29393390	N
<b>[ Semi-conductors ]</b>					
30	TRANSISTOR	2SC5242-O	1	2202843	
30 or	TRANSISTOR	2SC5242-R	(1)	2202842	
30 or	TRANSISTOR	2SC3856-O	(1)	2201653	
31	ISO SHEET	AC238	2	223024	
32	ISO SHEET	ISO SHEET	6	223050	N
33	TRANSISTOR	2SC5242-O	1	2202843	
33 or	TRANSISTOR	2SC5242-R	(1)	2202842	
33 or	TRANSISTOR	2SC3856-O	(1)	2201653	
34	TRANSISTOR	2SC5242-O	1	2202843	
34 or	TRANSISTOR	2SC5242-R	(1)	2202842	
34 or	TRANSISTOR	2SC3856-O	(1)	2201653	
35	TRANSISTOR	KTC5242A-O	1	2203953	N
35 or	TRANSISTOR	KTC5242A-R	(1)	2203952	N
35 or	TRANSISTOR	2SC5242-O	(1)	2202843	
35 or	TRANSISTOR	2SC5242-R	(1)	2202842	
35 or	TRANSISTOR	2SC3856-O	(1)	2201653	
36	TRANSISTOR	KTC5242A-O	1	2203953	N
36 or	TRANSISTOR	KTC5242A-R	(1)	2203952	N
36 or	TRANSISTOR	2SC5242-O	(1)	2202843	
36 or	TRANSISTOR	2SC5242-R	(1)	2202842	
36 or	TRANSISTOR	2SC3856-O	(1)	2201653	
37	TRANSISTOR	KTC5242A-O	1	2203953	N
37 or	TRANSISTOR	KTC5242A-R	(1)	2203952	N
37 or	TRANSISTOR	2SC5242-O	(1)	2202843	
37 or	TRANSISTOR	2SC5242-R	(1)	2202842	
37 or	TRANSISTOR	2SC3856-O	(1)	2201653	
38	TRANSISTOR	KTC5242A-O	1	2203953	N
38 or	TRANSISTOR	KTC5242A-R	(1)	2203952	N
38 or	TRANSISTOR	2SC5242-O	(1)	2202843	
38 or	TRANSISTOR	2SC5242-R	(1)	2202842	
38 or	TRANSISTOR	2SC3856-O	(1)	2201653	
39	TRANSISTOR	2SA1962-O	1	2202833	

39 or	TRANSISTOR	2SA1962-R	(1)	2202832	
39 or	TRANSISTOR	2SA1492-O	(1)	2201663	
40	TRANSISTOR	2SA1962-O	1	2202833	
40 or	TRANSISTOR	2SA1962-R	(1)	2202832	
40 or	TRANSISTOR	2SA1492-O	(1)	2201663	
41	TRANSISTOR	2SA1962-O	1	2202833	
41 or	TRANSISTOR	2SA1962-R	(1)	2202832	
41 or	TRANSISTOR	2SA1492-O	(1)	2201663	
42	TRANSISTOR	KTA1962A-O	1	2203943	N
42 or	TRANSISTOR	KTA1962A-R	(1)	2203942	N
42 or	TRANSISTOR	2SA1962-O	(1)	2202833	
42 or	TRANSISTOR	2SA1962-R	(1)	2202832	
42 or	TRANSISTOR	2SA1492-O	(1)	2201663	
43	TRANSISTOR	KTA1962A-O	1	2203943	N
43 or	TRANSISTOR	KTA1962A-R	(1)	2203942	N
43 or	TRANSISTOR	2SA1962-O	(1)	2202833	
43 or	TRANSISTOR	2SA1962-R	(1)	2202832	
43 or	TRANSISTOR	2SA1492-O	(1)	2201663	
44	TRANSISTOR	KTA1962A-O	1	2203943	N
44 or	TRANSISTOR	KTA1962A-R	(1)	2203942	N
44 or	TRANSISTOR	2SA1962-O	(1)	2202833	
44 or	TRANSISTOR	2SA1962-R	(1)	2202832	
44 or	TRANSISTOR	2SA1492-O	(1)	2201663	
45	TRANSISTOR	KTA1962A-O	1	2203943	N
45 or	TRANSISTOR	KTA1962A-R	(1)	2203942	N
45 or	TRANSISTOR	2SA1962-O	(1)	2202833	
45 or	TRANSISTOR	2SA1962-R	(1)	2202832	
45 or	TRANSISTOR	2SA1492-O	(1)	2201663	
<b>[ Transformers, Coils ]</b>					
46	POWER TRANSFORMER	NPT-1671D	1	2302162	!
<b>[ Switches, Terminals, Wires ]</b>					
47	FUSE	12A-TUL-250V	1	252301GR	!, N
47 or	FUSE	12A-UL/T-314	(1)	252196GR	!
48	FUSE	12A-TUL-250V	1	252301GR	!, N
48 or	FUSE	12A-UL/T-314	(1)	252196GR	!
49	FUSE	10A-UL/T-233	1	252330GR	!
49 or	FUSE	10A-T/UL-ST2	(1)	252333GR	!
50	FLEXIBLE FLAT CABLE	NCFC7-071012	1	2047071012	
51	FLEXIBLE FLAT CABLE	NCFC5-231012	1	2045231012	
53	ASSEMBLED PWB	WCBN806L	1	24150135	N
54	WIFI BT ANTENNA	RFDPA870918EMLB302	1	2050102	N
55	WIFI BT ANTENNA	RFDPA870940EMLB303	1	2050103	N
57	FLEXIBLE FLAT CABLE	NCFC5-313012	1	2045313012	
58	CORD ASSEMBLY	HDMI 0.50M	1	2010521	
60	POWER SUPPLY CORD	AS-UC-2	1	253368AYUN	!
60 or	POWER SUPPLY CORD	AS-UC-2	(1)	253368BLTK	!
<b>[ Frontend, Units ]</b>					
<b>U010</b>	<b>PARENT PC BOARD AS</b>	<b>BAAF-1979-1AE-P</b>	<b>1</b>	<b>1B5141979-1AE</b>	<b>N Parent</b>
100	Audio frequency circuit pc board AS	BAAF-1979-1AE	1	1B5141979-1AE-C	Child
101	Et cetra pc board AS	BAETC-1980-1AE	1	1B5141980-1AE-C	Child
102	Et cetra pc board AS	BAETC-1981-1AE	1	1B5141981-1AE-C	Child
<b>U020</b>	<b>PARENT PC BOARD AS</b>	<b>BADIS-2015-1E-P</b>	<b>1</b>	<b>1B5142015-1E</b>	<b>N Parent</b>
200	Display circuit pc board AS	BADIS-2015-1E	1	1B5142015-1E-C	Child
201	Power supply circuit pc board AS	BAPS-2016-1E	1	1B5142016-1E-C	Child
202	Digital circuit pc board AS	BADG-2017-1E	1	1B5142017-1E-C	Child
203	Et cetra pc board AS	BAETC-2018-1E	1	1B5142018-1E-C	Child
204	Radio frequency circuit pc board AS	BARF-2019-1E	1	1B5142019-1E-C	Child
205	ClassA amplifier circuit pc board AS	BACLA-2020-1E	1	1B5142020-1E-C	Child
250	SHIELD CASE	(UPPER)	1	27225208	
260	SHIELD CASE	(TUNER-BTM)	1	27225207A	N
<b>U030</b>	<b>PARENT PC BOARD AS</b>	<b>BATRM-2023-1AE-P</b>	<b>1</b>	<b>1B5142023-1AE</b>	<b>N Parent</b>



300	Terminal circuit pc board AS	BATRM-2023-1AE	1	1B5142023-1AE-C	Child
301	Et cetra pc board AS	BAETC-2024-1AE	1	1B5142024-1AE-C	Child
304	Et cetra pc board AS	BAETC-2027-1AE	1	1B5142027-1AE-C	Child
<b>U040</b>	<b>PARENT PC BOARD AS</b>	<b>BAPRC-2034-1L-P</b>	<b>1</b>	<b>1B5142034-1L131MDC</b>	<b>N Parent</b>
400	Processing circuit pc board AS	BAPRC-2034-1L	1	1B5142034-1L-C131MDC	Child
<b>U070</b>	<b>PARENT PC BOARD AS</b>	<b>BAHDM-2040-1A-P</b>	<b>1</b>	<b>1B5142040-1A</b>	<b>N Parent</b>
500	HDMI circuit pc board AS	BAHDM-2040-1A	1	1B5142040-1A-C	Child
<b>[ Packing ]</b>					
61	PAD	(AS)VSX831	1	29092748	<b>N</b>
62	PAD	(L)VSX831	{1}	29092749	
63	PAD	(R)VSX831	{1}	29092750	
64	SHEET	1300*650	1	29096147	
65	CARTON	VSX1131DC	1	29055609	
66	UPC LABEL	VSX1131MDC	{1}	29393079	
67	LABEL	(fwup-w-dtsx)CNT	2	29393392	<b>N</b>
<b>[ Accessories ]</b>					
72	REMOTE CONTROL TRANSMITTER	RC-914R	1	24140914	
73	MIC	KHM0028-010020	1	245048A	
74	ANTENNA COIL	AM LOOP-ANTENNA	1	232207	
75	FM ANT AS	Type W	1	292191	
77	WARRANTY CARD	(Pioneer US)	1	29365218A	
78	INSTRUCTION MANUAL	En(VSX1131)_BAS	1	29402189	
79	INSTRUCTION MANUAL	U2FrEs(VSX1131)_BAS	1	29402190	
81	INSTRUCTION MANUAL	SAFETY_Pi_U4(EnFrEsCt)	1	29402213A	<b>N</b>
82	INSTRUCTION SHEET	(Google cast)	1	29355956	
83	INSTRUCTION SHEET	(internet radio-2016)	1	29355957	

**VSX-1131(B)MDF****<Note>**

Parts marked by "NSP" are generally unavailable because they are not in our Master Spare Parts List.

**NOTE : THE COMPONENTS IDENTIFIED BY THE MARK ! ARE CRITICAL FOR RISK OF FIRE AND ELECTRIC SHOCK. REPLACE ONLY WITH PART**

**<Notes>**

**NSP**

**(B) : Black color model**

**<MDF> : 120V**

**Taiwanese model**

REF. NO.	PART NAME	DESCRIPTION	Q'TY	PART NO. (SN)	REMARKS
<b>[ Cabinet, Chassis, Screws, Nuts ]</b>					
1	BOTTOM LEG	(PI)(G)	4	27175481	N
2	CUSHION	(LEG-PI)	4	28141970	
3	REAR PANEL	VSX1131MDF	1	27124750A	
4	LABEL	(SP9ch)_pi	1	29393143	
5	FRONT PANEL	VSX1131(B)DC/EX	1	27213847	
6	BADGE	AAM7016-A	1	28135326	N
7	CLEAR PLATE	VSX1131(B)DC	1	28192478	
8	KNOB	(STBY)VSX831(B)	1	28327266	
9	KNOB	(SEL)	1	28327265	
10	KNOB	(MODE)VSX831(B)	1	28327263	
11	KNOB	(VOL)VSX831(B)	1	28327268	
12	SPRING	.	{1}	27180575	
13	KNOB	(VOL)VSX831(B)	1	28327268	
14	SPRING	.	{1}	27180575	
15	COVER	VSX831(B) (Bent)	1	28210149-1	
16	LABEL	(CAUTION)	1	29392531	
<b>[ Semi-conductors ]</b>					
30	TRANSISTOR	2SC5242-O	1	2202843	
30 or	TRANSISTOR	2SC5242-R	(1)	2202842	
30 or	TRANSISTOR	2SC3856-O	(1)	2201653	
31	ISO SHEET	AC238	2	223024	
32	ISO SHEET	ISO SHEET	6	223050	N
33	TRANSISTOR	2SC5242-O	1	2202843	
33 or	TRANSISTOR	2SC5242-R	(1)	2202842	
33 or	TRANSISTOR	2SC3856-O	(1)	2201653	
34	TRANSISTOR	2SC5242-O	1	2202843	
34 or	TRANSISTOR	2SC5242-R	(1)	2202842	
34 or	TRANSISTOR	2SC3856-O	(1)	2201653	
35	TRANSISTOR	KTC5242A-O	1	2203953	N
35 or	TRANSISTOR	KTC5242A-R	(1)	2203952	N
35 or	TRANSISTOR	2SC5242-O	(1)	2202843	
35 or	TRANSISTOR	2SC5242-R	(1)	2202842	
35 or	TRANSISTOR	2SC3856-O	(1)	2201653	
36	TRANSISTOR	KTC5242A-O	1	2203953	N
36 or	TRANSISTOR	KTC5242A-R	(1)	2203952	N
36 or	TRANSISTOR	2SC5242-O	(1)	2202843	
36 or	TRANSISTOR	2SC5242-R	(1)	2202842	
36 or	TRANSISTOR	2SC3856-O	(1)	2201653	
37	TRANSISTOR	KTC5242A-O	1	2203953	N
37 or	TRANSISTOR	KTC5242A-R	(1)	2203952	N
37 or	TRANSISTOR	2SC5242-O	(1)	2202843	
37 or	TRANSISTOR	2SC5242-R	(1)	2202842	
37 or	TRANSISTOR	2SC3856-O	(1)	2201653	
38	TRANSISTOR	KTC5242A-O	1	2203953	N
38 or	TRANSISTOR	KTC5242A-R	(1)	2203952	N
38 or	TRANSISTOR	2SC5242-O	(1)	2202843	
38 or	TRANSISTOR	2SC5242-R	(1)	2202842	
38 or	TRANSISTOR	2SC3856-O	(1)	2201653	
39	TRANSISTOR	2SA1962-O	1	2202833	
39 or	TRANSISTOR	2SA1962-R	(1)	2202832	

39 or	TRANSISTOR	2SA1492-O	(1)	2201663	
40	TRANSISTOR	2SA1962-O	1	2202833	
40 or	TRANSISTOR	2SA1962-R	(1)	2202832	
40 or	TRANSISTOR	2SA1492-O	(1)	2201663	
41	TRANSISTOR	2SA1962-O	1	2202833	
41 or	TRANSISTOR	2SA1962-R	(1)	2202832	
41 or	TRANSISTOR	2SA1492-O	(1)	2201663	
42	TRANSISTOR	KTA1962A-O	1	2203943	N
42 or	TRANSISTOR	KTA1962A-R	(1)	2203942	N
42 or	TRANSISTOR	2SA1962-O	(1)	2202833	
42 or	TRANSISTOR	2SA1962-R	(1)	2202832	
42 or	TRANSISTOR	2SA1492-O	(1)	2201663	
43	TRANSISTOR	KTA1962A-O	1	2203943	N
43 or	TRANSISTOR	KTA1962A-R	(1)	2203942	N
43 or	TRANSISTOR	2SA1962-O	(1)	2202833	
43 or	TRANSISTOR	2SA1962-R	(1)	2202832	
43 or	TRANSISTOR	2SA1492-O	(1)	2201663	
44	TRANSISTOR	KTA1962A-O	1	2203943	N
44 or	TRANSISTOR	KTA1962A-R	(1)	2203942	N
44 or	TRANSISTOR	2SA1962-O	(1)	2202833	
44 or	TRANSISTOR	2SA1962-R	(1)	2202832	
44 or	TRANSISTOR	2SA1492-O	(1)	2201663	
45	TRANSISTOR	KTA1962A-O	1	2203943	N
45 or	TRANSISTOR	KTA1962A-R	(1)	2203942	N
45 or	TRANSISTOR	2SA1962-O	(1)	2202833	
45 or	TRANSISTOR	2SA1962-R	(1)	2202832	
45 or	TRANSISTOR	2SA1492-O	(1)	2201663	
<b>[ Transformers, Coils ]</b>					
46	POWER TRANSFORMER	NPT-1671D	1	2302162	!
<b>[ Switches, Terminals, Wires ]</b>					
47	FUSE	12A-TUL-250V	1	252301GR	!, N
47 or	FUSE	12A-UL/T-314	(1)	252196GR	!
48	FUSE	12A-TUL-250V	1	252301GR	!, N
48 or	FUSE	12A-UL/T-314	(1)	252196GR	!
49	FUSE	10A-UL/T-233	1	252330GR	!
49 or	FUSE	10A-T/UL-ST2	(1)	252333GR	!
50	FLEXIBLE FLAT CABLE	NCFC7-071012	1	2047071012	
51	FLEXIBLE FLAT CABLE	NCFC5-231012	1	2045231012	
53	ASSEMBLED PWB	WCBN806L	1	24150135	N
54	WIFI BT ANTENNA	RFDPA870918EMLB302	1	2050102	N
55	WIFI BT ANTENNA	RFDPA870940EMLB303	1	2050103	N
56	P RIVET	JB-407A-C	18	880052	
57	FLEXIBLE FLAT CABLE	NCFC5-313012	1	2045313012	
58	CORD ASSEMBLY	HDMI 0.50M	1	2010521	
59	AC INLET	R301X2PSn	1	25053358	!
60	POWER SUPPLY CORD	AS-CNS	1	253431VOL	!
<b>[ Frontend, Units ]</b>					
<b>U010</b>	<b>PARENT PC BOARD AS</b>	<b>BAAF-1979-1AE-P</b>	<b>1</b>	<b>1B5141979-1AE</b>	<b>N Parent</b>
100	Audio frequency circuit pc board AS	BAAF-1979-1AE	1	1B5141979-1AE-C	Child
101	Et cetra pc board AS	BAETC-1980-1AE	1	1B5141980-1AE-C	Child
102	Et cetra pc board AS	BAETC-1981-1AE	1	1B5141981-1AE-C	Child
<b>U020</b>	<b>PARENT PC BOARD AS</b>	<b>BADIS-2015-1E-P</b>	<b>1</b>	<b>1B5142015-1E</b>	<b>N Parent</b>
200	Display circuit pc board AS	BADIS-2015-1E	1	1B5142015-1E-C	Child
201	Power supply circuit pc board AS	BAPS-2016-1E	1	1B5142016-1E-C	Child
202	Digital circuit pc board AS	BADG-2017-1E	1	1B5142017-1E-C	Child
203	Et cetra pc board AS	BAETC-2018-1E	1	1B5142018-1E-C	Child
204	Radio frequency circuit pc board AS	BARF-2019-1E	1	1B5142019-1E-C	Child
205	ClassA amplifier circuit pc board AS	BACLA-2020-1E	1	1B5142020-1E-C	Child
U020A	SHIELD CASE	(UPPER)	1	27225208	
U020B	SHIELD CASE	(TUNER-BTM)	1	27225207A	N
<b>U030</b>	<b>PARENT PC BOARD AS</b>	<b>BATRM-2023-1AE-P</b>	<b>1</b>	<b>1B5142023-1AE</b>	<b>N Parent</b>

300	Terminal circuit pc board AS	BATRM-2023-1AE	1	1B5142023-1AE-C	Child
301	Et cetra pc board AS	BAETC-2024-1AE	1	1B5142024-1AE-C	Child
304	Et cetra pc board AS	BAETC-2027-1AE	1	1B5142027-1AE-C	Child
<b>U040</b>	<b>PARENT PC BOARD AS</b>	<b>BAPRC-2034-1L-P</b>	<b>1</b>	<b>1B5142034-1L131MDF</b>	<b>N Parent</b>
400	Processing circuit pc board AS	BAPRC-2034-1L	1	1B5142034-1L-C131MDF	Child
<b>U070</b>	<b>PARENT PC BOARD AS</b>	<b>BAHDM-2040-1A-P</b>	<b>1</b>	<b>1B5142040-1A</b>	<b>N Parent</b>
500	HDMI circuit pc board AS	BAHDM-2040-1A	1	1B5142040-1A-C	Child
<b>[ Packing ]</b>					
61	PAD	(AS)VSX831	1	29092748	<b>N</b>
62	PAD	(L)VSX831	{1}	29092749	
63	PAD	(R)VSX831	{1}	29092750	
64	SHEET	1300*650	1	29096147	
65	CARTON	VSX1131MDF	1	29055615	
66	EAN LABEL	VSX1131MDF	{1}	29393126	
70	LABEL	(TWN-BATT)R03	1	29393321	<b>N</b>
<b>[ Accessories ]</b>					
60	POWER SUPPLY CORD	AS-CNS	1	253431VOL	<b>!</b>
72	REMOTE CONTROL TRANSMITTER	RC-914R	1	24140914	
73	MIC	KHM0028-010020	1	245048A	
74	ANTENNA COIL	AM LOOP-ANTENNA	1	232207	
75	FM ANT AS	Type W	1	292191	
78	INSTRUCTION MANUAL	En(VSX1131)_BAS	1	29402189	
79	INSTRUCTION MANUAL	Ct(VSX1131)_BAS	1	29402216	
81	INSTRUCTION MANUAL	SAFETY_Pi_U4(EnFrEsCt)	1	29402213A	<b>N</b>
82	INSTRUCTION SHEET	(Google cast)	1	29355956	
83	INSTRUCTION SHEET	(internet radio-2016)	1	29355957	

**VSX-1131(B)MMA****<Note>**

Parts marked by "NSP" are generally unavailable because they are not in our Master Spare Parts List.

**NOTE : THE COMPONENTS IDENTIFIED BY THE MARK ! ARE CRITICAL FOR RISK OF FIRE AND ELECTRIC SHOCK. REPLACE ONLY WITH PART**

**<Notes>**

**NSP**

**(B) : Black color model**

**<MMA> : 220-240V**

**Australian model**

REF. NO.	PART NAME	DESCRIPTION	Q'TY	PART NO. (SN)	REMARKS
<b>[ Cabinet, Chassis, Screws, Nuts ]</b>					
1	BOTTOM LEG	(PI)(G)	4	27175481	N
2	CUSHION	(LEG-PI)	4	28141970	
3	REAR PANEL	VSX1131MA/MB/MP	1	27124732	
4	LABEL	(SP9ch)_pi	1	29393143	
5	FRONT PANEL	VSX1131(B)DC/EX	1	27213847	
6	BADGE	AAM7016-A	1	28135326	N
7	CLEAR PLATE	VSX1131(B)DC	1	28192478	
8	KNOB	(STBY)VSX831(B)	1	28327266	
9	KNOB	(SEL)	1	28327265	
10	KNOB	(MODE)VSX831(B)	1	28327263	
11	KNOB	(VOL)VSX831(B)	1	28327268	
12	SPRING	.	{1}	27180575	
13	KNOB	(VOL)VSX831(B)	1	28327268	
14	SPRING	.	{1}	27180575	
15	COVER	VSX831(B) (Bent)	1	28210149-1	
16	LABEL	(CAUTION)	1	29392531	
<b>[ Semi-conductors ]</b>					
30	TRANSISTOR	2SC5242-O	1	2202843	
30 or	TRANSISTOR	2SC5242-R	(1)	2202842	
30 or	TRANSISTOR	2SC3856-O	(1)	2201653	
31	ISO SHEET	AC238	2	223024	
32	ISO SHEET	ISO SHEET	6	223050	N
33	TRANSISTOR	2SC5242-O	1	2202843	
33 or	TRANSISTOR	2SC5242-R	(1)	2202842	
33 or	TRANSISTOR	2SC3856-O	(1)	2201653	
34	TRANSISTOR	2SC5242-O	1	2202843	
34 or	TRANSISTOR	2SC5242-R	(1)	2202842	
34 or	TRANSISTOR	2SC3856-O	(1)	2201653	
35	TRANSISTOR	KTC5242A-O	1	2203953	N
35 or	TRANSISTOR	KTC5242A-R	(1)	2203952	N
35 or	TRANSISTOR	2SC5242-O	(1)	2202843	
35 or	TRANSISTOR	2SC5242-R	(1)	2202842	
35 or	TRANSISTOR	2SC3856-O	(1)	2201653	
36	TRANSISTOR	KTC5242A-O	1	2203953	N
36 or	TRANSISTOR	KTC5242A-R	(1)	2203952	N
36 or	TRANSISTOR	2SC5242-O	(1)	2202843	
36 or	TRANSISTOR	2SC5242-R	(1)	2202842	
36 or	TRANSISTOR	2SC3856-O	(1)	2201653	
37	TRANSISTOR	KTC5242A-O	1	2203953	N
37 or	TRANSISTOR	KTC5242A-R	(1)	2203952	N
37 or	TRANSISTOR	2SC5242-O	(1)	2202843	
37 or	TRANSISTOR	2SC5242-R	(1)	2202842	
37 or	TRANSISTOR	2SC3856-O	(1)	2201653	
38	TRANSISTOR	KTC5242A-O	1	2203953	N
38 or	TRANSISTOR	KTC5242A-R	(1)	2203952	N
38 or	TRANSISTOR	2SC5242-O	(1)	2202843	
38 or	TRANSISTOR	2SC5242-R	(1)	2202842	
38 or	TRANSISTOR	2SC3856-O	(1)	2201653	
39	TRANSISTOR	2SA1962-O	1	2202833	
39 or	TRANSISTOR	2SA1962-R	(1)	2202832	

39 or	TRANSISTOR	2SA1492-O	(1)	2201663	
40	TRANSISTOR	2SA1962-O	1	2202833	
40 or	TRANSISTOR	2SA1962-R	(1)	2202832	
40 or	TRANSISTOR	2SA1492-O	(1)	2201663	
41	TRANSISTOR	2SA1962-O	1	2202833	
41 or	TRANSISTOR	2SA1962-R	(1)	2202832	
41 or	TRANSISTOR	2SA1492-O	(1)	2201663	
42	TRANSISTOR	KTA1962A-O	1	2203943	N
42 or	TRANSISTOR	KTA1962A-R	(1)	2203942	N
42 or	TRANSISTOR	2SA1962-O	(1)	2202833	
42 or	TRANSISTOR	2SA1962-R	(1)	2202832	
42 or	TRANSISTOR	2SA1492-O	(1)	2201663	
43	TRANSISTOR	KTA1962A-O	1	2203943	N
43 or	TRANSISTOR	KTA1962A-R	(1)	2203942	N
43 or	TRANSISTOR	2SA1962-O	(1)	2202833	
43 or	TRANSISTOR	2SA1962-R	(1)	2202832	
43 or	TRANSISTOR	2SA1492-O	(1)	2201663	
44	TRANSISTOR	KTA1962A-O	1	2203943	N
44 or	TRANSISTOR	KTA1962A-R	(1)	2203942	N
44 or	TRANSISTOR	2SA1962-O	(1)	2202833	
44 or	TRANSISTOR	2SA1962-R	(1)	2202832	
44 or	TRANSISTOR	2SA1492-O	(1)	2201663	
45	TRANSISTOR	KTA1962A-O	1	2203943	N
45 or	TRANSISTOR	KTA1962A-R	(1)	2203942	N
45 or	TRANSISTOR	2SA1962-O	(1)	2202833	
45 or	TRANSISTOR	2SA1962-R	(1)	2202832	
45 or	TRANSISTOR	2SA1492-O	(1)	2201663	
<b>[ Transformers, Coils ]</b>					
46	POWER TRANSFORMER	NPT-1671M	1	2302164	!
<b>[ Switches, Terminals, Wires ]</b>					
47	FUSE	12A-TUL-250V	1	252301GR	!, N
47 or	FUSE	12A-UL/T-314	(1)	252196GR	!
48	FUSE	12A-TUL-250V	1	252301GR	!, N
48 or	FUSE	12A-UL/T-314	(1)	252196GR	!
49	FUSE	5A-SE-EAK FUSE	1	252078GR	!
49 or	FUSE	5A-SE-TL250V	(1)	252278GR	!
50	FLEXIBLE FLAT CABLE	NCFC7-071012	1	2047071012	
51	FLEXIBLE FLAT CABLE	NCFC5-231012	1	2045231012	
53	ASSEMBLED PWB	WCBN806L	1	24150135	N
54	WIFI BT ANTENNA	RFDPA870918EMLB302	1	2050102	N
55	WIFI BT ANTENNA	RFDPA870940EMLB303	1	2050103	N
56	P RIVET	JB-407A-C	18	880052	
57	FLEXIBLE FLAT CABLE	NCFC5-313012	1	2045313012	
58	CORD ASSEMBLY	HDMI 0.50M	1	2010521	
60	POWER SUPPLY CORD	AS-SAA	1	253388LTK	!, N
60 or	POWER SUPPLY CORD	AS-SAA	(1)	253390VOL	!
<b>[ Frontend, Units ]</b>					
<b>U010</b>	<b>PARENT PC BOARD AS</b>	<b>BAAF-1979-1AF-P</b>	<b>1</b>	<b>1B5141979-1AF</b>	<b>N Parent</b>
100	Audio frequency circuit pc board AS	BAAF-1979-1AF	1	1B5141979-1AF-C	Child
101	Et cetra pc board AS	BAETC-1980-1AF	1	1B5141980-1AF-C	Child
102	Et cetra pc board AS	BAETC-1981-1AF	1	1B5141981-1AF-C	Child
<b>U020</b>	<b>PARENT PC BOARD AS</b>	<b>BADIS-2015-1F-P</b>	<b>1</b>	<b>1B5142015-1F</b>	<b>N Parent</b>
200	Display circuit pc board AS	BADIS-2015-1F	1	1B5142015-1F-C	Child
201	Power supply circuit pc board AS	BAPS-2016-1F	1	1B5142016-1F-C	Child
202	Digital circuit pc board AS	BADG-2017-1F	1	1B5142017-1F-C	Child
203	Et cetra pc board AS	BAETC-2018-1F	1	1B5142018-1F-C	Child
204	Radio frequency circuit pc board AS	BARF-2019-1F	1	1B5142019-1F-C	Child
205	ClassA amplifier circuit pc board AS	BACLA-2020-1F	1	1B5142020-1F-C	Child
250	SHIELD CASE	(UPPER)	1	27225208	
260	SHIELD CASE	(TUNER-BTM)	1	27225207A	N
<b>U030</b>	<b>PARENT PC BOARD AS</b>	<b>BATRM-2023-1AF-P</b>	<b>1</b>	<b>1B5142023-1AF</b>	<b>N Parent</b>

300	Terminal circuit pc board AS	BATRM-2023-1AF	1	1B5142023-1AF-C	Child
301	Et cetra pc board AS	BAETC-2024-1AF	1	1B5142024-1AF-C	Child
304	Et cetra pc board AS	BAETC-2027-1AF	1	1B5142027-1AF-C	Child
<b>U040</b>	<b>PARENT PC BOARD AS</b>	<b>BAPRC-2034-1L-P</b>	<b>1</b>	<b>1B5142034-1L131MMA</b>	<b>N Parent</b>
400	Processing circuit pc board AS	BAPRC-2034-1L	1	1B5142034-1L-C131MMA	Child
<b>U070</b>	<b>PARENT PC BOARD AS</b>	<b>BAHDM-2040-1A-P</b>	<b>1</b>	<b>1B5142040-1A</b>	<b>N Parent</b>
500	HDMI circuit pc board AS	BAHDM-2040-1A	1	1B5142040-1A-C	Child
<b>[ Packing ]</b>					
61	PAD	(AS)VSX831	1	29092748	<b>N</b>
62	PAD	(L)VSX831	{1}	29092749	
63	PAD	(R)VSX831	{1}	29092750	
64	SHEET	1300*650	1	29096147	
65	CARTON	VSX1131EX/EU	1	29055610	
66	EAN LABEL	VSX1131MMA	{1}	29393082	
<b>[ Accessories ]</b>					
72	REMOTE CONTROL TRANSMITTER	RC-914R	1	24140914	
73	MIC	KHM0028-010020	1	245048A	
74	ANTENNA COIL	AM LOOP-ANTENNA	1	232207	
75	FM ANT AS	Type W	1	292191	
76	INSTRUCTION MANUAL	En(VSX1131)_BAS	1	29402189	
81	INSTRUCTION MANUAL	SAFETY_Pi_U4(EnFrEsCt)	1	29402213A	<b>N</b>
82	INSTRUCTION SHEET	(Google cast)	1	29355956	
83	INSTRUCTION SHEET	(internet radio-2016)	1	29355957	

**VSX-1131(B)MMB****<Note>**

Parts marked by "NSP" are generally unavailable because they are not in our Master Spare Parts List.

**NOTE : THE COMPONENTS IDENTIFIED BY THE MARK ! ARE CRITICAL FOR RISK OF FIRE AND ELECTRIC SHOCK. REPLACE ONLY WITH PART**

**<Notes>**

**NSP**

**(B) : Black color model**

**<MMB> : 220-240V**

**UK model**

REF. NO.	PART NAME	DESCRIPTION	Q'TY	PART NO. (SN)	REMARKS
<b>[ Cabinet, Chassis, Screws, Nuts ]</b>					
1	BOTTOM LEG	(PI)(G)	4	27175481	N
2	CUSHION	(LEG-PI)	4	28141970	
3	REAR PANEL	VSX1131MA/MB/MP	1	27124732	
4	LABEL	(SP9ch)_pi	1	29393143	
5	FRONT PANEL	VSX1131(B)DC/EX	1	27213847	
6	BADGE	AAM7016-A	1	28135326	N
7	CLEAR PLATE	VSX1131(B)DC	1	28192478	
8	KNOB	(STBY)VSX831(B)	1	28327266	
9	KNOB	(SEL)	1	28327265	
10	KNOB	(MODE)VSX831(B)	1	28327263	
11	KNOB	(VOL)VSX831(B)	1	28327268	
12	SPRING	.	{1}	27180575	
13	KNOB	(VOL)VSX831(B)	1	28327268	
14	SPRING	.	{1}	27180575	
15	COVER	VSX831(B) (Bent)	1	28210149-1	
16	LABEL	(CAUTION)	1	29392531	
17	PLATE	(COVER)B	1	27262881	
<b>[ Semi-conductors ]</b>					
30	TRANSISTOR	2SC5242-O	1	2202843	
30 or	TRANSISTOR	2SC5242-R	(1)	2202842	
30 or	TRANSISTOR	2SC3856-O	(1)	2201653	
31	ISO SHEET	AC238	2	223024	
32	ISO SHEET	ISO SHEET	6	223050	N
33	TRANSISTOR	2SC5242-O	1	2202843	
33 or	TRANSISTOR	2SC5242-R	(1)	2202842	
33 or	TRANSISTOR	2SC3856-O	(1)	2201653	
34	TRANSISTOR	2SC5242-O	1	2202843	
34 or	TRANSISTOR	2SC5242-R	(1)	2202842	
34 or	TRANSISTOR	2SC3856-O	(1)	2201653	
35	TRANSISTOR	KTC5242A-O	1	2203953	N
35 or	TRANSISTOR	KTC5242A-R	(1)	2203952	N
35 or	TRANSISTOR	2SC5242-O	(1)	2202843	
35 or	TRANSISTOR	2SC5242-R	(1)	2202842	
35 or	TRANSISTOR	2SC3856-O	(1)	2201653	
36	TRANSISTOR	KTC5242A-O	1	2203953	N
36 or	TRANSISTOR	KTC5242A-R	(1)	2203952	N
36 or	TRANSISTOR	2SC5242-O	(1)	2202843	
36 or	TRANSISTOR	2SC5242-R	(1)	2202842	
36 or	TRANSISTOR	2SC3856-O	(1)	2201653	
37	TRANSISTOR	KTC5242A-O	1	2203953	N
37 or	TRANSISTOR	KTC5242A-R	(1)	2203952	N
37 or	TRANSISTOR	2SC5242-O	(1)	2202843	
37 or	TRANSISTOR	2SC5242-R	(1)	2202842	
37 or	TRANSISTOR	2SC3856-O	(1)	2201653	
38	TRANSISTOR	KTC5242A-O	1	2203953	N
38 or	TRANSISTOR	KTC5242A-R	(1)	2203952	N
38 or	TRANSISTOR	2SC5242-O	(1)	2202843	
38 or	TRANSISTOR	2SC5242-R	(1)	2202842	
38 or	TRANSISTOR	2SC3856-O	(1)	2201653	
39	TRANSISTOR	2SA1962-O	1	2202833	



39 or	TRANSISTOR	2SA1962-R	(1)	2202832	
39 or	TRANSISTOR	2SA1492-O	(1)	2201663	
40	TRANSISTOR	2SA1962-O	1	2202833	
40 or	TRANSISTOR	2SA1962-R	(1)	2202832	
40 or	TRANSISTOR	2SA1492-O	(1)	2201663	
41	TRANSISTOR	2SA1962-O	1	2202833	
41 or	TRANSISTOR	2SA1962-R	(1)	2202832	
41 or	TRANSISTOR	2SA1492-O	(1)	2201663	
42	TRANSISTOR	KTA1962A-O	1	2203943	N
42 or	TRANSISTOR	KTA1962A-R	(1)	2203942	N
42 or	TRANSISTOR	2SA1962-O	(1)	2202833	
42 or	TRANSISTOR	2SA1962-R	(1)	2202832	
42 or	TRANSISTOR	2SA1492-O	(1)	2201663	
43	TRANSISTOR	KTA1962A-O	1	2203943	N
43 or	TRANSISTOR	KTA1962A-R	(1)	2203942	N
43 or	TRANSISTOR	2SA1962-O	(1)	2202833	
43 or	TRANSISTOR	2SA1962-R	(1)	2202832	
43 or	TRANSISTOR	2SA1492-O	(1)	2201663	
44	TRANSISTOR	KTA1962A-O	1	2203943	N
44 or	TRANSISTOR	KTA1962A-R	(1)	2203942	N
44 or	TRANSISTOR	2SA1962-O	(1)	2202833	
44 or	TRANSISTOR	2SA1962-R	(1)	2202832	
44 or	TRANSISTOR	2SA1492-O	(1)	2201663	
45	TRANSISTOR	KTA1962A-O	1	2203943	N
45 or	TRANSISTOR	KTA1962A-R	(1)	2203942	N
45 or	TRANSISTOR	2SA1962-O	(1)	2202833	
45 or	TRANSISTOR	2SA1962-R	(1)	2202832	
45 or	TRANSISTOR	2SA1492-O	(1)	2201663	
<b>[ Transformers, Coils ]</b>					
46	POWER TRANSFORMER	NPT-1671M	1	2302164	!
<b>[ Switches, Terminals, Wires ]</b>					
47	FUSE	12A-TUL-250V	1	252301GR	!, N
47 or	FUSE	12A-UL/T-314	(1)	252196GR	!
48	FUSE	12A-TUL-250V	1	252301GR	!, N
48 or	FUSE	12A-UL/T-314	(1)	252196GR	!
49	FUSE	5A-SE-EAK FUSE	1	252078GR	!
49 or	FUSE	5A-SE-TL250V	(1)	252278GR	!
50	FLEXIBLE FLAT CABLE	NCFC7-071012	1	2047071012	
51	FLEXIBLE FLAT CABLE	NCFC5-231012	1	2045231012	
53	ASSEMBLED PWB	WCBN806L	1	24150135	N
54	WIFI BT ANTENNA	RFDPA870918EMLB302	1	2050102	N
55	WIFI BT ANTENNA	RFDPA870940EMLB303	1	2050103	N
56	P RIVET	JB-407A-C	18	880052	
57	FLEXIBLE FLAT CABLE	NCFC5-313012	1	2045313012	
58	CORD ASSEMBLY	HDMI 0.50M	1	2010521	
60	POWER SUPPLY CORD	AS-BS	1	253480LTK	!, N
<b>[ Frontend, Units ]</b>					
<b>U010</b>	<b>PARENT PC BOARD AS</b>	<b>BAAF-1979-1AF-P</b>	<b>1</b>	<b>1B5141979-1AF</b>	<b>N Parent</b>
100	Audio frequency circuit pc board AS	BAAF-1979-1AF	1	1B5141979-1AF-C	Child
101	Et cetra pc board AS	BAETC-1980-1AF	1	1B5141980-1AF-C	Child
102	Et cetra pc board AS	BAETC-1981-1AF	1	1B5141981-1AF-C	Child
<b>U020</b>	<b>PARENT PC BOARD AS</b>	<b>BADIS-2015-1F-P</b>	<b>1</b>	<b>1B5142015-1F</b>	<b>N Parent</b>
200	Display circuit pc board AS	BADIS-2015-1F	1	1B5142015-1F-C	Child
201	Power supply circuit pc board AS	BAPS-2016-1F	1	1B5142016-1F-C	Child
202	Digital circuit pc board AS	BADG-2017-1F	1	1B5142017-1F-C	Child
203	Et cetra pc board AS	BAETC-2018-1F	1	1B5142018-1F-C	Child
204	Radio frequency circuit pc board AS	BARF-2019-1F	1	1B5142019-1F-C	Child
205	ClassA amplifier circuit pc board AS	BACLA-2020-1F	1	1B5142020-1F-C	Child
250	SHIELD CASE	(UPPER)	1	27225208	
260	SHIELD CASE	(TUNER-BTM)	1	27225207A	N
<b>U030</b>	<b>PARENT PC BOARD AS</b>	<b>BATRM-2023-1AF-P</b>	<b>1</b>	<b>1B5142023-1AF</b>	<b>N Parent</b>

300	Terminal circuit pc board AS	BATRM-2023-1AF	1	1B5142023-1AF-C	Child
301	Et cetra pc board AS	BAETC-2024-1AF	1	1B5142024-1AF-C	Child
304	Et cetra pc board AS	BAETC-2027-1AF	1	1B5142027-1AF-C	Child
<b>U040</b>	<b>PARENT PC BOARD AS</b>	<b>BAPRC-2034-1L-P</b>	<b>1</b>	<b>1B5142034-1L131MMB</b>	<b>N Parent</b>
400	Processing circuit pc board AS	BAPRC-2034-1L	1	1B5142034-1L-C131MMB	Child
<b>U070</b>	<b>PARENT PC BOARD AS</b>	<b>BAHDM-2040-1A-P</b>	<b>1</b>	<b>1B5142040-1A</b>	<b>N Parent</b>
500	HDMI circuit pc board AS	BAHDM-2040-1A	1	1B5142040-1A-C	Child
<b>[ Packing ]</b>					
61	PAD	(AS)VSX831	1	29092748	<b>N</b>
62	PAD	(L)VSX831	{1}	29092749	
63	PAD	(R)VSX831	{1}	29092750	
64	SHEET	1300*650	1	29096147	
65	CARTON	VSX1131EX/EU	1	29055610	
66	EAN LABEL	VSX1131MMB	{1}	29393080	
67	LABEL	(fwup-w-dtsx)CNT_EU	1	29393394	<b>N</b>
<b>[ Accessories ]</b>					
72	REMOTE CONTROL TRANSMITTER	RC-914R	1	24140914	
73	MIC	KHM0028-010020	1	245048A	
74	ANTENNA COIL	AM LOOP-ANTENNA	1	232207	
75	FM ANT AS	Type W	1	292191	
77	WARRANTY CARD	(Pi-EU2016)	1	29365227	
78	INSTRUCTION MANUAL	En(VSX1131)_BAS	1	29402189	
79	INSTRUCTION MANUAL	Ar(VSX1131)_BAS	1	29402192	
81	INSTRUCTION MANUAL	SAFETY_Pi_U10	1	29402212A	<b>N</b>
82	INSTRUCTION SHEET	(Google cast)	1	29355956	
83	INSTRUCTION SHEET	(internet radio-2016)	1	29355957	

**VSX-1131(B)MMP****<Note>**

Parts marked by "NSP" are generally unavailable because they are not in our Master Spare Parts List.

**NOTE : THE COMPONENTS IDENTIFIED BY THE MARK ! ARE CRITICAL FOR RISK OF FIRE AND ELECTRIC SHOCK. REPLACE ONLY WITH PART**

**<Notes>**

**NSP**

**(B) : Black color model**

**<MMP> : 220-240V**

**CE(European) model**

REF. NO.	PART NAME	DESCRIPTION	Q'TY	PART NO. (SN)	REMARKS
<b>[ Cabinet, Chassis, Screws, Nuts ]</b>					
1	BOTTOM LEG	(PI)(G)	4	27175481	N
2	CUSHION	(LEG-PI)	4	28141970	
3	REAR PANEL	VSX1131MA/MB/MP	1	27124732	
4	LABEL	(SP9ch)_pi	1	29393143	
5	FRONT PANEL	VSX1131(B)DC/EX	1	27213847	
6	BADGE	AAM7016-A	1	28135326	N
7	CLEAR PLATE	VSX1131(B)DC	1	28192478	
8	KNOB	(STBY)VSX831(B)	1	28327266	
9	KNOB	(SEL)	1	28327265	
10	KNOB	(MODE)VSX831(B)	1	28327263	
11	KNOB	(VOL)VSX831(B)	1	28327268	
12	SPRING	.	{1}	27180575	
13	KNOB	(VOL)VSX831(B)	1	28327268	
14	SPRING	.	{1}	27180575	
15	COVER	VSX831(B) (Bent)	1	28210149-1	
16	LABEL	(CAUTION)	1	29392531	
<b>[ Semi-conductors ]</b>					
30	TRANSISTOR	2SC5242-O	1	2202843	
30 or	TRANSISTOR	2SC5242-R	(1)	2202842	
30 or	TRANSISTOR	2SC3856-O	(1)	2201653	
31	ISO SHEET	AC238	2	223024	
32	ISO SHEET	ISO SHEET	6	223050	N
33	TRANSISTOR	2SC5242-O	1	2202843	
33 or	TRANSISTOR	2SC5242-R	(1)	2202842	
33 or	TRANSISTOR	2SC3856-O	(1)	2201653	
34	TRANSISTOR	2SC5242-O	1	2202843	
34 or	TRANSISTOR	2SC5242-R	(1)	2202842	
34 or	TRANSISTOR	2SC3856-O	(1)	2201653	
35	TRANSISTOR	KTC5242A-O	1	2203953	N
35 or	TRANSISTOR	KTC5242A-R	(1)	2203952	N
35 or	TRANSISTOR	2SC5242-O	(1)	2202843	
35 or	TRANSISTOR	2SC5242-R	(1)	2202842	
35 or	TRANSISTOR	2SC3856-O	(1)	2201653	
36	TRANSISTOR	KTC5242A-O	1	2203953	N
36 or	TRANSISTOR	KTC5242A-R	(1)	2203952	N
36 or	TRANSISTOR	2SC5242-O	(1)	2202843	
36 or	TRANSISTOR	2SC5242-R	(1)	2202842	
36 or	TRANSISTOR	2SC3856-O	(1)	2201653	
37	TRANSISTOR	KTC5242A-O	1	2203953	N
37 or	TRANSISTOR	KTC5242A-R	(1)	2203952	N
37 or	TRANSISTOR	2SC5242-O	(1)	2202843	
37 or	TRANSISTOR	2SC5242-R	(1)	2202842	
37 or	TRANSISTOR	2SC3856-O	(1)	2201653	
38	TRANSISTOR	KTC5242A-O	1	2203953	N
38 or	TRANSISTOR	KTC5242A-R	(1)	2203952	N
38 or	TRANSISTOR	2SC5242-O	(1)	2202843	
38 or	TRANSISTOR	2SC5242-R	(1)	2202842	
38 or	TRANSISTOR	2SC3856-O	(1)	2201653	
39	TRANSISTOR	2SA1962-O	1	2202833	
39 or	TRANSISTOR	2SA1962-R	(1)	2202832	

39 or	TRANSISTOR	2SA1492-O	(1)	2201663	
40	TRANSISTOR	2SA1962-O	1	2202833	
40 or	TRANSISTOR	2SA1962-R	(1)	2202832	
40 or	TRANSISTOR	2SA1492-O	(1)	2201663	
41	TRANSISTOR	2SA1962-O	1	2202833	
41 or	TRANSISTOR	2SA1962-R	(1)	2202832	
41 or	TRANSISTOR	2SA1492-O	(1)	2201663	
42	TRANSISTOR	KTA1962A-O	1	2203943	N
42 or	TRANSISTOR	KTA1962A-R	(1)	2203942	N
42 or	TRANSISTOR	2SA1962-O	(1)	2202833	
42 or	TRANSISTOR	2SA1962-R	(1)	2202832	
42 or	TRANSISTOR	2SA1492-O	(1)	2201663	
43	TRANSISTOR	KTA1962A-O	1	2203943	N
43 or	TRANSISTOR	KTA1962A-R	(1)	2203942	N
43 or	TRANSISTOR	2SA1962-O	(1)	2202833	
43 or	TRANSISTOR	2SA1962-R	(1)	2202832	
43 or	TRANSISTOR	2SA1492-O	(1)	2201663	
44	TRANSISTOR	KTA1962A-O	1	2203943	N
44 or	TRANSISTOR	KTA1962A-R	(1)	2203942	N
44 or	TRANSISTOR	2SA1962-O	(1)	2202833	
44 or	TRANSISTOR	2SA1962-R	(1)	2202832	
44 or	TRANSISTOR	2SA1492-O	(1)	2201663	
45	TRANSISTOR	KTA1962A-O	1	2203943	N
45 or	TRANSISTOR	KTA1962A-R	(1)	2203942	N
45 or	TRANSISTOR	2SA1962-O	(1)	2202833	
45 or	TRANSISTOR	2SA1962-R	(1)	2202832	
45 or	TRANSISTOR	2SA1492-O	(1)	2201663	
<b>[ Transformers, Coils ]</b>					
46	POWER TRANSFORMER	NPT-1671M	1	2302164	!
<b>[ Switches, Terminals, Wires ]</b>					
47	FUSE	12A-TUL-250V	1	252301GR	!, N
47 or	FUSE	12A-UL/T-314	(1)	252196GR	!
48	FUSE	12A-TUL-250V	1	252301GR	!, N
48 or	FUSE	12A-UL/T-314	(1)	252196GR	!
49	FUSE	5A-SE-EAK FUSE	1	252078GR	!
49 or	FUSE	5A-SE-TL250V	(1)	252278GR	!
50	FLEXIBLE FLAT CABLE	NCFC7-071012	1	2047071012	
51	FLEXIBLE FLAT CABLE	NCFC5-231012	1	2045231012	
53	ASSEMBLED PWB	WCBN806L	1	24150135	N
54	WIFI BT ANTENNA	RFDPA870918EMLB302	1	2050102	N
55	WIFI BT ANTENNA	RFDPA870940EMLB303	1	2050103	N
56	P RIVET	JB-407A-C	18	880052	
57	FLEXIBLE FLAT CABLE	NCFC5-313012	1	2045313012	
58	CORD ASSEMBLY	HDMI 0.50M	1	2010521	
60	POWER SUPPLY CORD	AS-CEE-2	1	253306VOL	!
60 or	POWER SUPPLY CORD	AS-CEE-2	(1)	253374YUN	!
60 or	POWER SUPPLY CORD	AS-CEE-2	(1)	253374LTK	!
<b>[ Frontend, Units ]</b>					
<b>U010</b>	<b>PARENT PC BOARD AS</b>	<b>BAAF-1979-1AF-P</b>	<b>1</b>	<b>1B5141979-1AF</b>	<b>N Parent</b>
100	Audio frequency circuit pc board AS	BAAF-1979-1AF	1	1B5141979-1AF-C	Child
101	Et cetra pc board AS	BAETC-1980-1AF	1	1B5141980-1AF-C	Child
102	Et cetra pc board AS	BAETC-1981-1AF	1	1B5141981-1AF-C	Child
<b>U020</b>	<b>PARENT PC BOARD AS</b>	<b>BADIS-2015-1F-P</b>	<b>1</b>	<b>1B5142015-1F</b>	<b>N Parent</b>
200	Display circuit pc board AS	BADIS-2015-1F	1	1B5142015-1F-C	Child
201	Power supply circuit pc board AS	BAPS-2016-1F	1	1B5142016-1F-C	Child
202	Digital circuit pc board AS	BADG-2017-1F	1	1B5142017-1F-C	Child
203	Et cetra pc board AS	BAETC-2018-1F	1	1B5142018-1F-C	Child
204	Radio frequency circuit pc board AS	BARF-2019-1F	1	1B5142019-1F-C	Child
205	ClassA amplifier circuit pc board AS	BACLA-2020-1F	1	1B5142020-1F-C	Child
250	SHIELD CASE	(UPPER)	1	27225208	
260	SHIELD CASE	(TUNER-BTM)	1	27225207A	N

<b>U030</b>	<b>PARENT PC BOARD AS</b>	<b>BATRM-2023-1AF-P</b>	<b>1</b>	<b>1B5142023-1AF</b>	<b>N Parent</b>
300	Terminal circuit pc board AS	BATRM-2023-1AF	1	1B5142023-1AF-C	Child
301	Et cetra pc board AS	BAETC-2024-1AF	1	1B5142024-1AF-C	Child
304	Et cetra pc board AS	BAETC-2027-1AF	1	1B5142027-1AF-C	Child
<b>U040</b>	<b>PARENT PC BOARD AS</b>	<b>BAPRC-2034-1L-P</b>	<b>1</b>	<b>1B5142034-1L131MMP</b>	<b>N Parent</b>
400	Processing circuit pc board AS	BAPRC-2034-1L	1	1B5142034-1L-C131MMP	Child
<b>U070</b>	<b>PARENT PC BOARD AS</b>	<b>BAHDM-2040-1A-P</b>	<b>1</b>	<b>1B5142040-1A</b>	<b>N Parent</b>
500	HDMI circuit pc board AS	BAHDM-2040-1A	1	1B5142040-1A-C	Child
<b>[ Packing ]</b>					
61	PAD	(AS)VSX831	1	29092748	<b>N</b>
62	PAD	(L)VSX831	{1}	29092749	
63	PAD	(R)VSX831	{1}	29092750	
64	SHEET	1300*650	1	29096147	
65	CARTON	VSX1131EX/EU	1	29055610	
66	EAN LABEL	VSX1131MMP	{1}	29393083	
67	LABEL	(fwup-w-dtsx)CNT_EU	1	29393394	<b>N</b>
<b>[ Accessories ]</b>					
72	REMOTE CONTROL TRANSMITTER	RC-914R	1	24140914	
73	MIC	KHM0028-010020	1	245048A	
74	ANTENNA COIL	AM LOOP-ANTENNA	1	232207	
75	FM ANT AS	Type W	1	292191	
77	WARRANTY CARD	(Pi-EU2016)	1	29365227	
78	INSTRUCTION MANUAL	En(VSX1131)_BAS	1	29402189	
79	INSTRUCTION MANUAL	U2FrEs(VSX1131)_BAS	1	29402190	
80	INSTRUCTION MANUAL	U4ItDeNIRu(VSX1131)_BAS	1	29402191	
81	INSTRUCTION MANUAL	SAFETY_Pi_U10	1	29402212A	<b>N</b>
82	INSTRUCTION SHEET	(Google cast)	1	29355956	
83	INSTRUCTION SHEET	(internet radio-2016)	1	29355957	

**VSX-1131(B)MMR****<Note>**

Parts marked by "NSP" are generally unavailable because they are not in our Master Spare Parts List.

**NOTE : THE COMPONENTS IDENTIFIED BY THE MARK ! ARE CRITICAL FOR RISK OF FIRE AND ELECTRIC SHOCK. REPLACE ONLY WITH PART**

**<Notes>**

**NSP**

**(B) : Black color model**

**<MMR> : 220-240V**

**Chinese model**

REF. NO.	PART NAME	DESCRIPTION	Q'TY	PART NO. (SN)	REMARKS
<b>[ Cabinet, Chassis, Screws, Nuts ]</b>					
1	BOTTOM LEG	(PI)(G)	4	27175481	N
2	CUSHION	(LEG-PI)	4	28141970	
3	REAR PANEL	VSX1131MA/MB/MP	1	27124732	
4	LABEL	(SP9ch)_pi	1	29393143	
5	FRONT PANEL	VSX1131(B)DC/EX	1	27213847	
6	BADGE	AAM7016-A	1	28135326	N
7	CLEAR PLATE	VSX1131(B)DC	1	28192478	
8	KNOB	(STBY)VSX831(B)	1	28327266	
9	KNOB	(SEL)	1	28327265	
10	KNOB	(MODE)VSX831(B)	1	28327263	
11	KNOB	(VOL)VSX831(B)	1	28327268	
12	SPRING	.	{1}	27180575	
13	KNOB	(VOL)VSX831(B)	1	28327268	
14	SPRING	.	{1}	27180575	
15	COVER	VSX831(B) (Bent)	1	28210149-1	
16	LABEL	(CAUTION)	1	29392531	
17	PLATE	(COVER)B	1	27262881	
<b>[ Semi-conductors ]</b>					
30	TRANSISTOR	2SC5242-O	1	2202843	
30 or	TRANSISTOR	2SC5242-R	(1)	2202842	
30 or	TRANSISTOR	2SC3856-O	(1)	2201653	
31	ISO SHEET	AC238	2	223024	
32	ISO SHEET	ISO SHEET	6	223050	N
33	TRANSISTOR	2SC5242-O	1	2202843	
33 or	TRANSISTOR	2SC5242-R	(1)	2202842	
33 or	TRANSISTOR	2SC3856-O	(1)	2201653	
34	TRANSISTOR	2SC5242-O	1	2202843	
34 or	TRANSISTOR	2SC5242-R	(1)	2202842	
34 or	TRANSISTOR	2SC3856-O	(1)	2201653	
35	TRANSISTOR	KTC5242A-O	1	2203953	N
35 or	TRANSISTOR	KTC5242A-R	(1)	2203952	N
35 or	TRANSISTOR	2SC5242-O	(1)	2202843	
35 or	TRANSISTOR	2SC5242-R	(1)	2202842	
35 or	TRANSISTOR	2SC3856-O	(1)	2201653	
36	TRANSISTOR	KTC5242A-O	1	2203953	N
36 or	TRANSISTOR	KTC5242A-R	(1)	2203952	N
36 or	TRANSISTOR	2SC5242-O	(1)	2202843	
36 or	TRANSISTOR	2SC5242-R	(1)	2202842	
36 or	TRANSISTOR	2SC3856-O	(1)	2201653	
37	TRANSISTOR	KTC5242A-O	1	2203953	N
37 or	TRANSISTOR	KTC5242A-R	(1)	2203952	N
37 or	TRANSISTOR	2SC5242-O	(1)	2202843	
37 or	TRANSISTOR	2SC5242-R	(1)	2202842	
37 or	TRANSISTOR	2SC3856-O	(1)	2201653	
38	TRANSISTOR	KTC5242A-O	1	2203953	N
38 or	TRANSISTOR	KTC5242A-R	(1)	2203952	N
38 or	TRANSISTOR	2SC5242-O	(1)	2202843	
38 or	TRANSISTOR	2SC5242-R	(1)	2202842	
38 or	TRANSISTOR	2SC3856-O	(1)	2201653	
39	TRANSISTOR	2SA1962-O	1	2202833	

39 or	TRANSISTOR	2SA1962-R	(1)	2202832	
39 or	TRANSISTOR	2SA1492-O	(1)	2201663	
40	TRANSISTOR	2SA1962-O	1	2202833	
40 or	TRANSISTOR	2SA1962-R	(1)	2202832	
40 or	TRANSISTOR	2SA1492-O	(1)	2201663	
41	TRANSISTOR	2SA1962-O	1	2202833	
41 or	TRANSISTOR	2SA1962-R	(1)	2202832	
41 or	TRANSISTOR	2SA1492-O	(1)	2201663	
42	TRANSISTOR	KTA1962A-O	1	2203943	N
42 or	TRANSISTOR	KTA1962A-R	(1)	2203942	N
42 or	TRANSISTOR	2SA1962-O	(1)	2202833	
42 or	TRANSISTOR	2SA1962-R	(1)	2202832	
42 or	TRANSISTOR	2SA1492-O	(1)	2201663	
43	TRANSISTOR	KTA1962A-O	1	2203943	N
43 or	TRANSISTOR	KTA1962A-R	(1)	2203942	N
43 or	TRANSISTOR	2SA1962-O	(1)	2202833	
43 or	TRANSISTOR	2SA1962-R	(1)	2202832	
43 or	TRANSISTOR	2SA1492-O	(1)	2201663	
44	TRANSISTOR	KTA1962A-O	1	2203943	N
44 or	TRANSISTOR	KTA1962A-R	(1)	2203942	N
44 or	TRANSISTOR	2SA1962-O	(1)	2202833	
44 or	TRANSISTOR	2SA1962-R	(1)	2202832	
44 or	TRANSISTOR	2SA1492-O	(1)	2201663	
45	TRANSISTOR	KTA1962A-O	1	2203943	N
45 or	TRANSISTOR	KTA1962A-R	(1)	2203942	N
45 or	TRANSISTOR	2SA1962-O	(1)	2202833	
45 or	TRANSISTOR	2SA1962-R	(1)	2202832	
45 or	TRANSISTOR	2SA1492-O	(1)	2201663	
<b>[ Transformers, Coils ]</b>					
46	POWER TRANSFORMER	NPT-1671M	1	2302164	!
<b>[ Switches, Terminals, Wires ]</b>					
47	FUSE	12A-TUL-250V	1	252301GR	!, N
47 or	FUSE	12A-UL/T-314	(1)	252196GR	!
48	FUSE	12A-TUL-250V	1	252301GR	!, N
48 or	FUSE	12A-UL/T-314	(1)	252196GR	!
49	FUSE	5A-SE-EAK FUSE	1	252078GR	!
49 or	FUSE	5A-SE-TL250V	(1)	252278GR	!
50	FLEXIBLE FLAT CABLE	NCFC7-071012	1	2047071012	
51	FLEXIBLE FLAT CABLE	NCFC5-231012	1	2045231012	
53	ASSEMBLED PWB	WCBN806L	1	24150135	N
54	WIFI BT ANTENNA	RFDPA870918EMLB302	1	2050102	N
55	WIFI BT ANTENNA	RFDPA870940EMLB303	1	2050103	N
56	P RIVET	JB-407A-C	18	880052	
57	FLEXIBLE FLAT CABLE	NCFC5-313012	1	2045313012	
58	CORD ASSEMBLY	HDMI 0.50M	1	2010521	
60	POWER SUPPLY CORD	AS-CCC	1	253355VOL	!
60 or	POWER SUPPLY CORD	AS-CCC	(1)	253377LTK	!
<b>[ Frontend, Units ]</b>					
<b>U010</b>	<b>PARENT PC BOARD AS</b>	<b>BAAF-1979-1AF-P</b>	<b>1</b>	<b>1B5141979-1AF</b>	<b>N Parent</b>
100	Audio frequency circuit pc board AS	BAAF-1979-1AF	1	1B5141979-1AF-C	Child
101	Et cetra pc board AS	BAETC-1980-1AF	1	1B5141980-1AF-C	Child
102	Et cetra pc board AS	BAETC-1981-1AF	1	1B5141981-1AF-C	Child
<b>U020</b>	<b>PARENT PC BOARD AS</b>	<b>BADIS-2015-1F-P</b>	<b>1</b>	<b>1B5142015-1F</b>	<b>N Parent</b>
200	Display circuit pc board AS	BADIS-2015-1F	1	1B5142015-1F-C	Child
201	Power supply circuit pc board AS	BAPS-2016-1F	1	1B5142016-1F-C	Child
202	Digital circuit pc board AS	BADG-2017-1F	1	1B5142017-1F-C	Child
203	Et cetra pc board AS	BAETC-2018-1F	1	1B5142018-1F-C	Child
204	Radio frequency circuit pc board AS	BARF-2019-1F	1	1B5142019-1F-C	Child
205	ClassA amplifier circuit pc board AS	BACLA-2020-1F	1	1B5142020-1F-C	Child
250	SHIELD CASE	(UPPER)	1	27225208	
260	SHIELD CASE	(TUNER-BTM)	1	27225207A	N



<b>U030</b>	<b>PARENT PC BOARD AS</b>	<b>BATRM-2023-1AF-P</b>	<b>1</b>	<b>1B5142023-1AF</b>	<b>N Parent</b>
300	Terminal circuit pc board AS	BATRM-2023-1AF	1	1B5142023-1AF-C	Child
301	Et cetra pc board AS	BAETC-2024-1AF	1	1B5142024-1AF-C	Child
304	Et cetra pc board AS	BAETC-2027-1AF	1	1B5142027-1AF-C	Child
<b>U040</b>	<b>PARENT PC BOARD AS</b>	<b>BAPRC-2034-1L-P</b>	<b>1</b>	<b>1B5142034-1L131MMR</b>	<b>N Parent</b>
400	Processing circuit pc board AS	BAPRC-2034-1L	1	1B5142034-1L-C131MMR	Child
<b>U070</b>	<b>PARENT PC BOARD AS</b>	<b>BAHDM-2040-1A-P</b>	<b>1</b>	<b>1B5142040-1A</b>	<b>N Parent</b>
500	HDMI circuit pc board AS	BAHDM-2040-1A	1	1B5142040-1A-C	Child
<b>[ Packing ]</b>					
61	PAD	(AS)VSX831	1	29092748	<b>N</b>
62	PAD	(L)VSX831	{1}	29092749	
63	PAD	(R)VSX831	{1}	29092750	
64	SHEET	1300*650	1	29096147	
65	CARTON	VSX1131DC	1	29055609	
66	EAN LABEL	VSX1131MMR	{1}	29393081	<b>N</b>
<b>[ Accessories ]</b>					
72	REMOTE CONTROL TRANSMITTER	RC-914R	1	24140914	
73	MIC	KHM0028-010020	1	245048A	
74	ANTENNA COIL	AM LOOP-ANTENNA	1	232207	
75	FM ANT AS	Type W	1	292191	
77	WARRANTY CARD	(ONKYO)	1	29365156	
81	INSTRUCTION MANUAL	SAFETY_Pi-Cs	1	29402214	<b>N</b>
83	INSTRUCTION SHEET	(internet radio-2016)	1	29355957	



**VSX-1131(S)MMP****<Note>**

Parts marked by "NSP" are generally unavailable because they are not in our Master Spare Parts List.

**NOTE : THE COMPONENTS IDENTIFIED BY THE MARK ! ARE CRITICAL FOR RISK OF FIRE AND ELECTRIC SHOCK. REPLACE ONLY WITH PART**

**<Notes>**

**NSP**

**(S) : Silver color model**

**<MMP> : 220-240V**

**CE(European) model**

REF. NO.	PART NAME	DESCRIPTION	Q'TY	PART NO. (SN)	REMARKS
<b>[ Cabinet, Chassis, Screws, Nuts ]</b>					
1	BOTTOM LEG	(PI)(G)	4	27175481	N
2	CUSHION	(LEG-PI)	4	28141970	
3	REAR PANEL	VSX1131MA/MB/MP	1	27124732	
4	LABEL	(SP9ch)_pi	1	29393143	
5	FRONT PANEL	VSX1131(S)EX/EU	1	27213849	
6	BADGE	AAM7016-A	1	28135326	N
7	CLEAR PLATE	VSX1131(B)DC	1	28192478	
8	KNOB	(STBY)VSX831(S)	1	28327267	
9	KNOB	(SEL)	1	28327265	
10	KNOB	(MODE)VSX831(S)	1	28327264	
11	KNOB	(VOL)VSX831(S)	1	28327269	
12	SPRING	.	{1}	27180575	
13	KNOB	(VOL)VSX831(S)	1	28327269	
14	SPRING	.	{1}	27180575	
15	COVER	TXNR555(S) (Bent)	1	28210150	
16	LABEL	(CAUTION)	1	29392531	
<b>[ Semi-conductors ]</b>					
30	TRANSISTOR	2SC5242-O	1	2202843	
30 or	TRANSISTOR	2SC5242-R	(1)	2202842	
30 or	TRANSISTOR	2SC3856-O	(1)	2201653	
31	ISO SHEET	AC238	2	223024	
32	ISO SHEET	ISO SHEET	6	223050	N
33	TRANSISTOR	2SC5242-O	1	2202843	
33 or	TRANSISTOR	2SC5242-R	(1)	2202842	
33 or	TRANSISTOR	2SC3856-O	(1)	2201653	
34	TRANSISTOR	2SC5242-O	1	2202843	
34 or	TRANSISTOR	2SC5242-R	(1)	2202842	
34 or	TRANSISTOR	2SC3856-O	(1)	2201653	
35	TRANSISTOR	KTC5242A-O	1	2203953	N
35 or	TRANSISTOR	KTC5242A-R	(1)	2203952	N
35 or	TRANSISTOR	2SC5242-O	(1)	2202843	
35 or	TRANSISTOR	2SC5242-R	(1)	2202842	
35 or	TRANSISTOR	2SC3856-O	(1)	2201653	
36	TRANSISTOR	KTC5242A-O	1	2203953	N
36 or	TRANSISTOR	KTC5242A-R	(1)	2203952	N
36 or	TRANSISTOR	2SC5242-O	(1)	2202843	
36 or	TRANSISTOR	2SC5242-R	(1)	2202842	
36 or	TRANSISTOR	2SC3856-O	(1)	2201653	
37	TRANSISTOR	KTC5242A-O	1	2203953	N
37 or	TRANSISTOR	KTC5242A-R	(1)	2203952	N
37 or	TRANSISTOR	2SC5242-O	(1)	2202843	
37 or	TRANSISTOR	2SC5242-R	(1)	2202842	
37 or	TRANSISTOR	2SC3856-O	(1)	2201653	
38	TRANSISTOR	KTC5242A-O	1	2203953	N
38 or	TRANSISTOR	KTC5242A-R	(1)	2203952	N
38 or	TRANSISTOR	2SC5242-O	(1)	2202843	
38 or	TRANSISTOR	2SC5242-R	(1)	2202842	
38 or	TRANSISTOR	2SC3856-O	(1)	2201653	
39	TRANSISTOR	2SA1962-O	1	2202833	
39 or	TRANSISTOR	2SA1962-R	(1)	2202832	

39 or	TRANSISTOR	2SA1492-O	(1)	2201663	
40	TRANSISTOR	2SA1962-O	1	2202833	
40 or	TRANSISTOR	2SA1962-R	(1)	2202832	
40 or	TRANSISTOR	2SA1492-O	(1)	2201663	
41	TRANSISTOR	2SA1962-O	1	2202833	
41 or	TRANSISTOR	2SA1962-R	(1)	2202832	
41 or	TRANSISTOR	2SA1492-O	(1)	2201663	
42	TRANSISTOR	KTA1962A-O	1	2203943	N
42 or	TRANSISTOR	KTA1962A-R	(1)	2203942	N
42 or	TRANSISTOR	2SA1962-O	(1)	2202833	
42 or	TRANSISTOR	2SA1962-R	(1)	2202832	
42 or	TRANSISTOR	2SA1492-O	(1)	2201663	
43	TRANSISTOR	KTA1962A-O	1	2203943	N
43 or	TRANSISTOR	KTA1962A-R	(1)	2203942	N
43 or	TRANSISTOR	2SA1962-O	(1)	2202833	
43 or	TRANSISTOR	2SA1962-R	(1)	2202832	
43 or	TRANSISTOR	2SA1492-O	(1)	2201663	
44	TRANSISTOR	KTA1962A-O	1	2203943	N
44 or	TRANSISTOR	KTA1962A-R	(1)	2203942	N
44 or	TRANSISTOR	2SA1962-O	(1)	2202833	
44 or	TRANSISTOR	2SA1962-R	(1)	2202832	
44 or	TRANSISTOR	2SA1492-O	(1)	2201663	
45	TRANSISTOR	KTA1962A-O	1	2203943	N
45 or	TRANSISTOR	KTA1962A-R	(1)	2203942	N
45 or	TRANSISTOR	2SA1962-O	(1)	2202833	
45 or	TRANSISTOR	2SA1962-R	(1)	2202832	
45 or	TRANSISTOR	2SA1492-O	(1)	2201663	
<b>[ Transformers, Coils ]</b>					
46	POWER TRANSFORMER	NPT-1671M	1	2302164	!
<b>[ Switches, Terminals, Wires ]</b>					
47	FUSE	12A-TUL-250V	1	252301GR	!, N
47 or	FUSE	12A-UL/T-314	(1)	252196GR	!
48	FUSE	12A-TUL-250V	1	252301GR	!, N
48 or	FUSE	12A-UL/T-314	(1)	252196GR	!
49	FUSE	5A-SE-EAK FUSE	1	252078GR	!
49 or	FUSE	5A-SE-TL250V	(1)	252278GR	!
50	FLEXIBLE FLAT CABLE	NCFC7-071012	1	2047071012	
51	FLEXIBLE FLAT CABLE	NCFC5-231012	1	2045231012	
53	ASSEMBLED PWB	WCBN806L	1	24150135	N
54	WIFI BT ANTENNA	RFDPA870918EMLB302	1	2050102	N
55	WIFI BT ANTENNA	RFDPA870940EMLB303	1	2050103	N
56	P RIVET	JB-407A-C	18	880052	
57	FLEXIBLE FLAT CABLE	NCFC5-313012	1	2045313012	
58	CORD ASSEMBLY	HDMI 0.50M	1	2010521	
60	POWER SUPPLY CORD	AS-CEE-2	1	253306VOL	!
60 or	POWER SUPPLY CORD	AS-CEE-2	(1)	253374YUN	!
60 or	POWER SUPPLY CORD	AS-CEE-2	(1)	253374LTK	!
<b>[ Frontend, Units ]</b>					
<b>U010</b>	<b>PARENT PC BOARD AS</b>	<b>BAAF-1979-1AF-P</b>	<b>1</b>	<b>1B5141979-1AF</b>	<b>N Parent</b>
100	Audio frequency circuit pc board AS	BAAF-1979-1AF	1	1B5141979-1AF-C	Child
101	Et cetra pc board AS	BAETC-1980-1AF	1	1B5141980-1AF-C	Child
102	Et cetra pc board AS	BAETC-1981-1AF	1	1B5141981-1AF-C	Child
<b>U020</b>	<b>PARENT PC BOARD AS</b>	<b>BADIS-2015-1F-P</b>	<b>1</b>	<b>1B5142015-1F</b>	<b>N Parent</b>
200	Display circuit pc board AS	BADIS-2015-1F	1	1B5142015-1F-C	Child
201	Power supply circuit pc board AS	BAPS-2016-1F	1	1B5142016-1F-C	Child
202	Digital circuit pc board AS	BADG-2017-1F	1	1B5142017-1F-C	Child
203	Et cetra pc board AS	BAETC-2018-1F	1	1B5142018-1F-C	Child
204	Radio frequency circuit pc board AS	BARF-2019-1F	1	1B5142019-1F-C	Child
205	ClassA amplifier circuit pc board AS	BACLA-2020-1F	1	1B5142020-1F-C	Child
250	SHIELD CASE	(UPPER)	1	27225208	
260	SHIELD CASE	(TUNER-BTM)	1	27225207A	N

<b>U030</b>	<b>PARENT PC BOARD AS</b>	<b>BATRM-2023-1AF-P</b>	<b>1</b>	<b>1B5142023-1AF</b>	<b>N Parent</b>
300	Terminal circuit pc board AS	BATRM-2023-1AF	1	1B5142023-1AF-C	Child
301	Et cetra pc board AS	BAETC-2024-1AF	1	1B5142024-1AF-C	Child
304	Et cetra pc board AS	BAETC-2027-1AF	1	1B5142027-1AF-C	Child
<b>U040</b>	<b>PARENT PC BOARD AS</b>	<b>BAPRC-2034-1L-P</b>	<b>1</b>	<b>1B5142034-1L131MMP</b>	<b>N Parent</b>
400	Processing circuit pc board AS	BAPRC-2034-1L	1	1B5142034-1L-C131MMP	Child
<b>U070</b>	<b>PARENT PC BOARD AS</b>	<b>BAHDM-2040-1A-P</b>	<b>1</b>	<b>1B5142040-1A</b>	<b>N Parent</b>
500	HDMI circuit pc board AS	BAHDM-2040-1A	1	1B5142040-1A-C	Child
<b>[ Packing ]</b>					
61	PAD	(AS)VSX831	1	29092748	<b>N</b>
62	PAD	(L)VSX831	{1}	29092749	
63	PAD	(R)VSX831	{1}	29092750	
64	SHEET	1300*650	1	29096147	
65	CARTON	VSX1131EX/EU(S)	1	29055611	
66	EAN LABEL	VSX1131MMP(S)	{1}	29393084	
A509	LABEL	(DTSX)	1	29392958	
67	LABEL	(fwup-w-dtsx)CNT_EU	1	29393394	<b>N</b>
<b>[ Accessories ]</b>					
72	REMOTE CONTROL TRANSMITTER	RC-914R	1	24140914	
73	MIC	KHM0028-010020	1	245048A	
74	ANTENNA COIL	AM LOOP-ANTENNA	1	232207	
75	FM ANT AS	Type W	1	292191	
77	WARRANTY CARD	(Pi-EU2016)	1	29365227	
78	INSTRUCTION MANUAL	En(VSX1131)_BAS	1	29402189	
79	INSTRUCTION MANUAL	U2FrEs(VSX1131)_BAS	1	29402190	
80	INSTRUCTION MANUAL	U4ItDeNIRu(VSX1131)_BAS	1	29402191	
81	INSTRUCTION MANUAL	SAFETY_Pi_U10	1	29402212A	<b>N</b>
82	INSTRUCTION SHEET	(Google cast)	1	29355956	
83	INSTRUCTION SHEET	(internet radio-2016)	1	29355957	

**VSX-LX301(B)MDC****<Note>**

Parts marked by "NSP" are generally unavailable because they are not in our Master Spare Parts List.

**NOTE : THE COMPONENTS IDENTIFIED BY THE MARK ! ARE CRITICAL FOR RISK OF FIRE AND ELECTRIC SHOCK. REPLACE ONLY WITH PART**

**<Notes>**

**(B)** : NSP

**(B)** : Black color model

**<MDC>** : 120V

Canadian/USA/(Mexico) model

REF. NO.	PART NAME	DESCRIPTION	Q'TY	PART NO. (SN)	REMARKS
<b>[ Cabinet, Chassis, Screws, Nuts ]</b>					
1	BOTTOM LEG	(PI)(B)	4	27175479	N
2	CUSHION	(LEG-PI)	4	28141970	
3	REAR PANEL	VSX-LX301MDC	1	27124734A	
4	LABEL	(SP9ch)_pi	1	29393143	
5	FRONT PANEL	VSXLX301(B)DC	1	27213851	
6	BADGE	(ELITE_Gold_Bk)	1	28135334	N
7	CLEAR PLATE	VSXLX301(B)DC	1	28192479	
8	KNOB	(STBY)VSX831(B)	1	28327266	
9	KNOB	(SEL)	1	28327265	
10	KNOB	(MODE)VSX831(B)	1	28327263	
11	KNOB	(VOL)VSX831(B)	1	28327268	
12	SPRING	.	{1}	27180575	
13	KNOB	(VOL)VSX831(B)	1	28327268	
14	SPRING	.	{1}	27180575	
15	COVER	VSX831(B) (Bent)	1	28210149-1	
16	LABEL	(CAUTION)	1	29392531	
20	LABEL	(fwup-w-dtsx)set	1	29393390	N
<b>[ Semi-conductors ]</b>					
30	TRANSISTOR	2SC5242-O	1	2202843	
30 or	TRANSISTOR	2SC5242-R	(1)	2202842	
30 or	TRANSISTOR	2SC3856-O	(1)	2201653	
31	ISO SHEET	AC238	2	223024	
32	ISO SHEET	ISO SHEET	6	223050	
33	TRANSISTOR	2SC5242-O	1	2202843	
33 or	TRANSISTOR	2SC5242-R	(1)	2202842	
33 or	TRANSISTOR	2SC3856-O	(1)	2201653	
34	TRANSISTOR	2SC5242-O	1	2202843	
34 or	TRANSISTOR	2SC5242-R	(1)	2202842	
34 or	TRANSISTOR	2SC3856-O	(1)	2201653	
35	TRANSISTOR	KTC5242A-O	1	2203953	
35 or	TRANSISTOR	KTC5242A-R	(1)	2203952	N
35 or	TRANSISTOR	2SC5242-O	(1)	2202843	
35 or	TRANSISTOR	2SC5242-R	(1)	2202842	
35 or	TRANSISTOR	2SC3856-O	(1)	2201653	
36	TRANSISTOR	KTC5242A-O	1	2203953	
36 or	TRANSISTOR	KTC5242A-R	(1)	2203952	N
36 or	TRANSISTOR	2SC5242-O	(1)	2202843	
36 or	TRANSISTOR	2SC5242-R	(1)	2202842	
36 or	TRANSISTOR	2SC3856-O	(1)	2201653	
37	TRANSISTOR	KTC5242A-O	1	2203953	
37 or	TRANSISTOR	KTC5242A-R	(1)	2203952	N
37 or	TRANSISTOR	2SC5242-O	(1)	2202843	
37 or	TRANSISTOR	2SC5242-R	(1)	2202842	
37 or	TRANSISTOR	2SC3856-O	(1)	2201653	
38	TRANSISTOR	KTC5242A-O	1	2203953	
38 or	TRANSISTOR	KTC5242A-R	(1)	2203952	N
38 or	TRANSISTOR	2SC5242-O	(1)	2202843	
38 or	TRANSISTOR	2SC5242-R	(1)	2202842	
38 or	TRANSISTOR	2SC3856-O	(1)	2201653	
39	TRANSISTOR	2SA1962-O	1	2202833	

39 or	TRANSISTOR	2SA1962-R	(1)	2202832	
39 or	TRANSISTOR	2SA1492-O	(1)	2201663	
40	TRANSISTOR	2SA1962-O	1	2202833	
40 or	TRANSISTOR	2SA1962-R	(1)	2202832	
40 or	TRANSISTOR	2SA1492-O	(1)	2201663	
41	TRANSISTOR	2SA1962-O	1	2202833	
41 or	TRANSISTOR	2SA1962-R	(1)	2202832	
41 or	TRANSISTOR	2SA1492-O	(1)	2201663	
42	TRANSISTOR	KTA1962A-O	1	2203943	
42 or	TRANSISTOR	KTA1962A-R	(1)	2203942	N
42 or	TRANSISTOR	2SA1962-O	(1)	2202833	
42 or	TRANSISTOR	2SA1962-R	(1)	2202832	
42 or	TRANSISTOR	2SA1492-O	(1)	2201663	
43	TRANSISTOR	KTA1962A-O	1	2203943	
43 or	TRANSISTOR	KTA1962A-R	(1)	2203942	N
43 or	TRANSISTOR	2SA1962-O	(1)	2202833	
43 or	TRANSISTOR	2SA1962-R	(1)	2202832	
43 or	TRANSISTOR	2SA1492-O	(1)	2201663	
44	TRANSISTOR	KTA1962A-O	1	2203943	
44 or	TRANSISTOR	KTA1962A-R	(1)	2203942	N
44 or	TRANSISTOR	2SA1962-O	(1)	2202833	
44 or	TRANSISTOR	2SA1962-R	(1)	2202832	
44 or	TRANSISTOR	2SA1492-O	(1)	2201663	
45	TRANSISTOR	KTA1962A-O	1	2203943	
45 or	TRANSISTOR	KTA1962A-R	(1)	2203942	N
45 or	TRANSISTOR	2SA1962-O	(1)	2202833	
45 or	TRANSISTOR	2SA1962-R	(1)	2202832	
45 or	TRANSISTOR	2SA1492-O	(1)	2201663	
<b>[ Transformers, Coils ]</b>					
46	POWER TRANSFORMER	NPT-1671D	1	2302162	!
<b>[ Switches, Terminals, Wires ]</b>					
47	FUSE	12A-TUL-250V	1	252301GR	!
47 or	FUSE	12A-UL/T-314	(1)	252196GR	!
48	FUSE	12A-TUL-250V	1	252301GR	!
48 or	FUSE	12A-UL/T-314	(1)	252196GR	!
49	FUSE	10A-UL/T-233	1	252330GR	!
49 or	FUSE	10A-T/UL-ST2	(1)	252333GR	!
50	FLEXIBLE FLAT CABLE	NCFC7-071012	1	2047071012	
51	FLEXIBLE FLAT CABLE	NCFC5-231012	1	2045231012	
52	FLEXIBLE FLAT CABLE	NCFC5-091012	1	2045091012	
53	ASSEMBLED PWB	WCBN806L	1	24150135	
54	WIFI BT ANTENNA	RFDPA870918EMLB302	1	2050102	
55	WIFI BT ANTENNA	RFDPA870940EMLB303	1	2050103	
57	FLEXIBLE FLAT CABLE	NCFC5-313012	1	2045313012	
58	CORD ASSEMBLY	HDMI 0.50M	1	2010521	
59	AC INLET	R301X2PSn	1	25053358	!
<b>[ Frontend, Units ]</b>					
<b>U010</b>	<b>PARENT PC BOARD AS</b>	<b>BAAF-1979-1AG-P</b>	<b>1</b>	<b>1B5141979-1AG</b>	<b>Parent</b>
100	Audio frequency circuit pc board AS	BAAF-1979-1AG	1	1B5141979-1AG-C	Child
101	Et cetra pc board AS	BAETC-1980-1AG	1	1B5141980-1AG-C	Child
102	Et cetra pc board AS	BAETC-1981-1AG	1	1B5141981-1AG-C	Child
<b>U020</b>	<b>PARENT PC BOARD AS</b>	<b>BADIS-2015-1G-P</b>	<b>1</b>	<b>1B5142015-1G</b>	<b>Parent</b>
200	Display circuit pc board AS	BADIS-2015-1G	1	1B5142015-1G-C	Child
201	Power supply circuit pc board AS	BAPS-2016-1G	1	1B5142016-1G-C	Child
202	Digital circuit pc board AS	BADG-2017-1G	1	1B5142017-1G-C	Child
203	Et cetra pc board AS	BAETC-2018-1G	1	1B5142018-1G-C	Child
204	Radio frequency circuit pc board AS	BARF-2019-1G	1	1B5142019-1G-C	Child
205	ClassA amplifier circuit pc board AS	BACLA-2020-1G	1	1B5142020-1G-C	Child
250	SHIELD CASE	(UPPER)	1	27225208	
260	SHIELD CASE	(TUNER-BTM)	1	27225207A	
<b>U030</b>	<b>PARENT PC BOARD AS</b>	<b>BATRM-2023-1AG-P</b>	<b>1</b>	<b>1B5142023-1AG</b>	<b>Parent</b>

300	Terminal circuit pc board AS	BATRM-2023-1AG	1	1B5142023-1AG-C	Child
301	Et cetra pc board AS	BAETC-2024-1AG	1	1B5142024-1AG-C	Child
302	Et cetra pc board AS	BAETC-2025-1AG	1	1B5142025-1AG-C	Child
304	Et cetra pc board AS	BAETC-2027-1AG	1	1B5142027-1AG-C	Child
<b>U040</b>	<b>PARENT PC BOARD AS</b>	<b>BAPRC-2034-1M-P</b>	<b>1</b>	<b>1B5142034-1M301MDC</b>	<b>Parent</b>
400	Processing circuit pc board AS	BAPRC-2034-1M	1	1B5142034-1M-C301MDC	Child
<b>U070</b>	<b>PARENT PC BOARD AS</b>	<b>BAHDM-2040-1A-P</b>	<b>1</b>	<b>1B5142040-1A</b>	<b>Parent</b>
500	HDMI circuit pc board AS	BAHDM-2040-1A	1	1B5142040-1A-C	Child
<b>[ Packing ]</b>					
61	PAD	(AS)VSX831	1	29092748	<b>N</b>
62	PAD	(L)VSX831	{1}	29092749	
63	PAD	(R)VSX831	{1}	29092750	
64	SHEET	1300*650	1	29096147	
65	CARTON	VSXLX301DC	1	29055613	
66	UPC LABEL	VSXLX301MDC	{1}	29393087	
67	LABEL	(fwup-w-dtsx)CNT	2	29393392	<b>N</b>
<b>[ Accessories ]</b>					
60	POWER SUPPLY CORD	AS-UC-2	1	253352ATES	<b>!</b>
72	REMOTE CONTROL TRANSMITTER	RC-914R	1	24140914	
73	MIC	KHM0028-010020	1	245048A	
74	ANTENNA COIL	AM LOOP-ANTENNA	1	232207	
75	FM ANT AS	Type W	1	292191	
77	WARRANTY CARD	(Pi-elite2016)	1	29365228A-1	<b>N</b>
78	INSTRUCTION MANUAL	U3EnFrEs(VSXLX301)_BAS	1	29402194	
81	INSTRUCTION MANUAL	SAFETY_Pi_U4(EnFrEsCt)	1	29402213A	<b>N</b>
82	INSTRUCTION SHEET	(Google cast)	1	29355956	
83	INSTRUCTION SHEET	(internet radio-2016)	1	29355957	

**BAAF-1979-1AE****<Note>**

Parts marked by "NSP" are generally unavailable because they are not in our Master Spare Parts List.

**<Notes>**

NSP

**NOTE : THE COMPONENTS IDENTIFIED BY THE MARK  
! ARE CRITICAL FOR RISK OF FIRE AND  
ELECTRIC SHOCK. REPLACE ONLY WITH  
PART**

REF. NO.	PART NAME	DESCRIPTION	Q'TY	PART NO. (SN)	REMARKS
<b>[ Semi-conductors ]</b>					
D6901	DIODE	TS10B06G-07	1	22380379	N
Q4001	HYBRID IC	BD34704KS2	1	22242977R3	
Q4251	HYBRID IC	78M15HF(NJM78M15FA)	1	222780155JRC	
Q4252	HYBRID IC	79M15HF(NJM79M15FA)	1	222790155JRC	
Q4530	HYBRID IC	NJM4580CG	1	22242922R2	
Q5105	TRANSISTOR	2SC2713-BL	1	2213136R2	
Q5106	TRANSISTOR	2SC2713-BL	1	2213136R2	
Q5107	TRANSISTOR	2SC2713-BL	1	2213136R2	
Q5108	TRANSISTOR	2SC2713-BL	1	2213136R2	
Q5125	TRANSISTOR	2SC2713-BL	1	2213136R2	
Q5126	TRANSISTOR	2SC2713-BL	1	2213136R2	
Q5127	TRANSISTOR	2SC2713-BL	1	2213136R2	
Q5128	TRANSISTOR	2SC2713-BL	1	2213136R2	
Q5225	TRANSISTOR	INC5001AP1-T111	1	2218100R2	N
Q5225or	TRANSISTOR	2SC2881-Y	(1)	2217564AR2	
Q5226	TRANSISTOR	INC5001AP1-T111	1	2218100R2	N
Q5226or	TRANSISTOR	2SC2881-Y	(1)	2217564AR2	
Q5227	TRANSISTOR	INC5001AP1-T111	1	2218100R2	N
Q5227or	TRANSISTOR	2SC2881-Y	(1)	2217564AR2	
Q5228	TRANSISTOR	INC5001AP1-T111	1	2218100R2	N
Q5228or	TRANSISTOR	2SC2881-Y	(1)	2217564AR2	
Q5385	TRANSISTOR	INA6006AP1-T111	1	2217980R2	N
Q5385or	TRANSISTOR	2SA1200-Y(2LONK_ZE)	(1)	2217584R2	
Q5386	TRANSISTOR	INA6006AP1-T111	1	2217980R2	N
Q5386or	TRANSISTOR	2SA1200-Y(2LONK_ZE)	(1)	2217584R2	
Q5387	TRANSISTOR	INA6006AP1-T111	1	2217980R2	N
Q5387or	TRANSISTOR	2SA1200-Y(2LONK_ZE)	(1)	2217584R2	
Q5388	TRANSISTOR	INA6006AP1-T111	1	2217980R2	N
Q5388or	TRANSISTOR	2SA1200-Y(2LONK_ZE)	(1)	2217584R2	
Q5405	TRANSISTOR	INC6006AP1-T111	1	2217990R2	N
Q5405or	TRANSISTOR	2SC2880-Y(2LONK_ZE)	(1)	2217594R2	
Q5406	TRANSISTOR	INC6006AP1-T111	1	2217990R2	N
Q5406or	TRANSISTOR	2SC2880-Y(2LONK_ZE)	(1)	2217594R2	
Q5407	TRANSISTOR	INC6006AP1-T111	1	2217990R2	N
Q5407or	TRANSISTOR	2SC2880-Y(2LONK_ZE)	(1)	2217594R2	
Q5408	TRANSISTOR	INC6006AP1-T111	1	2217990R2	N
Q5408or	TRANSISTOR	2SC2880-Y(2LONK_ZE)	(1)	2217594R2	
Q5601	TRANSISTOR	2SD2704K	1	2218130R2	
Q5602	TRANSISTOR	2SD2704K	1	2218130R2	
Q5603	TRANSISTOR	2SD2704K	1	2218130R2	
Q5605	TRANSISTOR	2SD2704K	1	2218130R2	
Q5606	TRANSISTOR	2SD2704K	1	2218130R2	
Q5607	TRANSISTOR	2SD2704K	1	2218130R2	
Q5608	TRANSISTOR	2SD2704K	1	2218130R2	
Q5625	TRANSISTOR	2SC2713-BL	1	2213136R2	
Q5626	TRANSISTOR	2SC2713-BL	1	2213136R2	
Q5627	TRANSISTOR	2SC2713-BL	1	2213136R2	
Q5628	TRANSISTOR	2SC2713-BL	1	2213136R2	
Q5645	TRANSISTOR	2SA1163-BL	1	2216756R2	
Q5646	TRANSISTOR	2SA1163-BL	1	2216756R2	



Q5647	TRANSISTOR	2SA1163-BL	1	2216756R2	
Q5648	TRANSISTOR	2SA1163-BL	1	2216756R2	
Q6105	TRANSISTOR	TTC004B_Q(S	1	2218022	
Q6106	TRANSISTOR	TTC004B_Q(S	1	2218022	
Q6107	TRANSISTOR	TTC004B_Q(S	1	2218022	
Q6108	TRANSISTOR	TTC004B_Q(S	1	2218022	
Q6125	TRANSISTOR	TTA004B_Q(S	1	2218012	
Q6126	TRANSISTOR	TTA004B_Q(S	1	2218012	
Q6127	TRANSISTOR	TTA004B_Q(S	1	2218012	
Q6128	TRANSISTOR	TTA004B_Q(S	1	2218012	
Q6601	TRANSISTOR	INC6002AC1	1	2218840R2	
Q6602	TRANSISTOR	INC6002AC1	1	2218840R2	
Q6603	TRANSISTOR	INC6002AC1	1	2218840R2	
Q6605	TRANSISTOR	INC6002AC1	1	2218840R2	
Q6606	TRANSISTOR	INC6002AC1	1	2218840R2	
Q6607	TRANSISTOR	INC6002AC1	1	2218840R2	
Q6608	TRANSISTOR	INC6002AC1	1	2218840R2	
Q6800	HYBRID IC	LM61CIZ	1	22242212	
<b>[ Transformers, Coils ]</b>					
L6441	SPEAKER OUTPUT FILTER COIL	SC2-0.8X5.5X18.5T	1	231455S	N
L6441or	SPEAKER OUTPUT FILTER COIL	SC-0.8X5.5X18.5T	(1)	231431S	
L6442	SPEAKER OUTPUT FILTER COIL	SC2-0.8X5.5X18.5T	1	231455S	N
L6442or	SPEAKER OUTPUT FILTER COIL	SC-0.8X5.5X18.5T	(1)	231431S	
L6443	SPEAKER OUTPUT FILTER COIL	SC2-0.8X5.5X18.5T	1	231455S	N
L6443or	SPEAKER OUTPUT FILTER COIL	SC-0.8X5.5X18.5T	(1)	231431S	
L6445	SPEAKER OUTPUT FILTER COIL	SC2-0.8X5.5X18.5T	1	231455S	N
L6445or	SPEAKER OUTPUT FILTER COIL	SC-0.8X5.5X18.5T	(1)	231431S	
L6446	SPEAKER OUTPUT FILTER COIL	SC2-0.8X5.5X18.5T	1	231455S	N
L6446or	SPEAKER OUTPUT FILTER COIL	SC-0.8X5.5X18.5T	(1)	231431S	
L6447	SPEAKER OUTPUT FILTER COIL	SC2-0.8X5.5X18.5T	1	231455S	N
L6447or	SPEAKER OUTPUT FILTER COIL	SC-0.8X5.5X18.5T	(1)	231431S	
L6448	SPEAKER OUTPUT FILTER COIL	SC2-0.8X5.5X18.5T	1	231455S	N
L6448or	SPEAKER OUTPUT FILTER COIL	SC-0.8X5.5X18.5T	(1)	231431S	
<b>[ Capacitors ]</b>					
C4041	UTSP TYPE ELECTROLYTIC CAPACITOR	CE04W50V 47M(UTSP)	1	397584707AT	N
C4042	UTSP TYPE ELECTROLYTIC CAPACITOR	CE04W50V 47M(UTSP)	1	397584707AT	N
C4043	UTSP TYPE ELECTROLYTIC CAPACITOR	CE04W50V 47M(UTSP)	1	397584707AT	N
C4044	UTSP TYPE ELECTROLYTIC CAPACITOR	CE04W50V 47M(UTSP)	1	397584707AT	N
C4045	UTSP TYPE ELECTROLYTIC CAPACITOR	CE04W25V-47M(UTSP)	1	397554707AT	N
C4046	UTSP TYPE ELECTROLYTIC CAPACITOR	CE04W25V-47M(UTSP)	1	397554707AT	N
C4047	UTSP TYPE ELECTROLYTIC CAPACITOR	CE04W25V-47M(UTSP)	1	397554707AT	N
C4048	UTSP TYPE ELECTROLYTIC CAPACITOR	CE04W25V-47M(UTSP)	1	397554707AT	N
C4049	UTSP TYPE ELECTROLYTIC CAPACITOR	CE04W50V 47M(UTSP)	1	397584707AT	N
C4050	UTSP TYPE ELECTROLYTIC CAPACITOR	CE04W50V 47M(UTSP)	1	397584707AT	N
C4051	UTSP TYPE ELECTROLYTIC CAPACITOR	CE04W50V 47M(UTSP)	1	397584707AT	N
C4052	UTSP TYPE ELECTROLYTIC CAPACITOR	CE04W50V 47M(UTSP)	1	397584707AT	N
C4063	UTSP TYPE ELECTROLYTIC CAPACITOR	CE04W25V-47M(UTSP)	1	397554707AT	N
C4064	UTSP TYPE ELECTROLYTIC CAPACITOR	CE04W25V-47M(UTSP)	1	397554707AT	N
C4101	UTSP TYPE ELECTROLYTIC CAPACITOR	CE04W50V 47M(UTSP)	1	397584707AT	N
C4102	UTSP TYPE ELECTROLYTIC CAPACITOR	CE04W50V 47M(UTSP)	1	397584707AT	N
C4103	UTSP TYPE ELECTROLYTIC CAPACITOR	CE04W50V 47M(UTSP)	1	397584707AT	N
C4104	UTSP TYPE ELECTROLYTIC CAPACITOR	CE04W50V-22M(UTSP)	1	397582207AT	N
C4105	UTSP TYPE ELECTROLYTIC CAPACITOR	CE04W50V 47M(UTSP)	1	397584707AT	N
C4106	UTSP TYPE ELECTROLYTIC CAPACITOR	CE04W50V 47M(UTSP)	1	397584707AT	N
C4107	UTSP TYPE ELECTROLYTIC CAPACITOR	CE04W50V 47M(UTSP)	1	397584707AT	N
C4108	UTSP TYPE ELECTROLYTIC CAPACITOR	CE04W50V 47M(UTSP)	1	397584707AT	N
C4175	JAMICON TYPE ELECTROLYTIC CAPACIT	CE04W16V-220M	1	398542217T	
C4176	JAMICON TYPE ELECTROLYTIC CAPACIT	CE04W16V-220M	1	398542217T	
C4190	UTSP TYPE ELECTROLYTIC CAPACITOR	CE04W50V 47M(UTSP)	1	397584707AT	N
C4251	JAMICON TYPE ELECTROLYTIC CAPACIT	CE04W35V-1000M	1	398561027T	
C4252	JAMICON TYPE ELECTROLYTIC CAPACIT	CE04W35V-1000M	1	398561027T	



C4255	JAMICON TYPE ELECTROLYTIC CAPACIT(CE04W50V-10M	1	398581007T	
C4255or	UTSP TYPE ELECTROLYTIC CAPACITOR CE04W50V-10M(UTSP)	(1)	397581007AT	
C4256	JAMICON TYPE ELECTROLYTIC CAPACIT(CE04W50V-10M	1	398581007T	
C4256or	UTSP TYPE ELECTROLYTIC CAPACITOR CE04W50V-10M(UTSP)	(1)	397581007AT	
C4259	JAMICON TYPE ELECTROLYTIC CAPACIT(CE04W50V-22M	1	398582207T	
C4259or	UTSP TYPE ELECTROLYTIC CAPACITOR CE04W50V-22M(UTSP)	(1)	397582207AT	
C4260	JAMICON TYPE ELECTROLYTIC CAPACIT(CE04W50V-22M	1	398582207T	
C4260or	UTSP TYPE ELECTROLYTIC CAPACITOR CE04W50V-22M(UTSP)	(1)	397582207AT	
C4261	JAMICON TYPE ELECTROLYTIC CAPACIT(CE04W16V-470M	1	398544717T	
C4261or	UTSP TYPE ELECTROLYTIC CAPACITOR CE04W16V-470M(UTSP)	(1)	397544717T	
C4262	JAMICON TYPE ELECTROLYTIC CAPACIT(CE04W16V-470M	1	398544717T	
C4262or	UTSP TYPE ELECTROLYTIC CAPACITOR CE04W16V-470M(UTSP)	(1)	397544717T	
C4269	JAMICON TYPE ELECTROLYTIC CAPACIT(CE04W10V-470M	1	398534717T	
C4269or	UTSP TYPE ELECTROLYTIC CAPACITOR CE04W10V-470M(UTSP)	(1)	397534717T	
C4270	JAMICON TYPE ELECTROLYTIC CAPACIT(CE04W10V-470M	1	398534717T	
C4270or	UTSP TYPE ELECTROLYTIC CAPACITOR CE04W10V-470M(UTSP)	(1)	397534717T	
C4311	UTSP TYPE ELECTROLYTIC CAPACITOR CE04W25V-47M(UTSP)	1	397554707AT	N
C4312	UTSP TYPE ELECTROLYTIC CAPACITOR CE04W25V-47M(UTSP)	1	397554707AT	N
C4531	ELECTROLYTIC CAPACITOR CE04W16V-47M(S)	1	353744709T	
C4532	ELECTROLYTIC CAPACITOR CE04W16V-47M(S)	1	353744709T	
C4545	UTSP TYPE ELECTROLYTIC CAPACITOR CE04W50V-10M(UTSP)	1	397581007AT	N
C4546	UTSP TYPE ELECTROLYTIC CAPACITOR CE04W50V-10M(UTSP)	1	397581007AT	N
C4547	JAMICON TYPE ELECTROLYTIC CAPACIT(CE04W16V-220M	1	398542217T	
C4548	JAMICON TYPE ELECTROLYTIC CAPACIT(CE04W16V-220M	1	398542217T	
C4551	UTSP TYPE ELECTROLYTIC CAPACITOR CE04W10V-220M(UTSP)	1	397532217AT	N
C4552	UTSP TYPE ELECTROLYTIC CAPACITOR CE04W10V-220M(UTSP)	1	397532217AT	N
C5025	UTSP TYPE ELECTROLYTIC CAPACITOR CE04W50V 47M(UTSP)	1	397584707AT	N
C5026	UTSP TYPE ELECTROLYTIC CAPACITOR CE04W50V 47M(UTSP)	1	397584707AT	N
C5027	UTSP TYPE ELECTROLYTIC CAPACITOR CE04W50V 47M(UTSP)	1	397584707AT	N
C5028	UTSP TYPE ELECTROLYTIC CAPACITOR CE04W50V 47M(UTSP)	1	397584707AT	N
C5085	UTSP TYPE ELECTROLYTIC CAPACITOR CE04W50V-10M(UTSP)	1	397581007AT	N
C5086	UTSP TYPE ELECTROLYTIC CAPACITOR CE04W50V-10M(UTSP)	1	397581007AT	N
C5087	UTSP TYPE ELECTROLYTIC CAPACITOR CE04W50V-10M(UTSP)	1	397581007AT	N
C5088	UTSP TYPE ELECTROLYTIC CAPACITOR CE04W50V-10M(UTSP)	1	397581007AT	N
C5505	VR TYPE ELECTROLYTIC CAPACITOR CE04W100V-22M(VR)	1	394692207T	
C5506	VR TYPE ELECTROLYTIC CAPACITOR CE04W100V-22M(VR)	1	394692207T	
C5507	VR TYPE ELECTROLYTIC CAPACITOR CE04W100V-22M(VR)	1	394692207T	
C5508	VR TYPE ELECTROLYTIC CAPACITOR CE04W100V-22M(VR)	1	394692207T	
C5525	VR TYPE ELECTROLYTIC CAPACITOR CE04W100V-22M(VR)	1	394692207T	
C5526	VR TYPE ELECTROLYTIC CAPACITOR CE04W100V-22M(VR)	1	394692207T	
C5527	VR TYPE ELECTROLYTIC CAPACITOR CE04W100V-22M(VR)	1	394692207T	
C5528	VR TYPE ELECTROLYTIC CAPACITOR CE04W100V-22M(VR)	1	394692207T	
C5645	UTSP TYPE ELECTROLYTIC CAPACITOR CE04W50V 47M(UTSP)	1	397584707AT	N
C5646	UTSP TYPE ELECTROLYTIC CAPACITOR CE04W50V 47M(UTSP)	1	397584707AT	N
C5647	UTSP TYPE ELECTROLYTIC CAPACITOR CE04W50V 47M(UTSP)	1	397584707AT	N
C5648	UTSP TYPE ELECTROLYTIC CAPACITOR CE04W50V 47M(UTSP)	1	397584707AT	N
C6305	UTSP TYPE ELECTROLYTIC CAPACITOR CE04W50V 47M(UTSP)	1	397584707AT	N
C6306	UTSP TYPE ELECTROLYTIC CAPACITOR CE04W50V 47M(UTSP)	1	397584707AT	N
C6307	UTSP TYPE ELECTROLYTIC CAPACITOR CE04W50V 47M(UTSP)	1	397584707AT	N
C6308	UTSP TYPE ELECTROLYTIC CAPACITOR CE04W50V 47M(UTSP)	1	397584707AT	N
C6425	UTSP TYPE ELECTROLYTIC CAPACITOR CE04W25V-220M(UTSP)	1	397552217T	N
C6426	UTSP TYPE ELECTROLYTIC CAPACITOR CE04W25V-220M(UTSP)	1	397552217T	N
C6427	UTSP TYPE ELECTROLYTIC CAPACITOR CE04W25V-220M(UTSP)	1	397552217T	N
C6428	UTSP TYPE ELECTROLYTIC CAPACITOR CE04W25V-220M(UTSP)	1	397552217T	N
C6741	JAMICON TYPE ELECTROLYTIC CAPACIT(CE04W25V-220M	1	398552217T	
C6741or	UTSP TYPE ELECTROLYTIC CAPACITOR CE04W25V-220M(UTSP)	(1)	397552217T	
C6744	JAMICON TYPE ELECTROLYTIC CAPACIT(CE04W50V-1M	1	398580107T	
C6744or	UTSP TYPE ELECTROLYTIC CAPACITOR CE04W50V-1M(UTSP)	(1)	397580107AT	
C6780	JAMICON TYPE ELECTROLYTIC CAPACIT(CE04W50V-10M	1	398581007T	
C6780or	UTSP TYPE ELECTROLYTIC CAPACITOR CE04W50V-10M(UTSP)	(1)	397581007AT	
C6901	ELECTROLYTIC CAPACITOR CE69W69V-8200MMN	1	3504525A	

C6902	ELECTROLYTIC CAPACITOR	CE69W69V-8200MMN	1	3504525A
<b>[ Resistors ]</b>				
R5385	NON-FLAMMABLE CARBON FILM RESISTOR	R25J-220	1	415472214T
R5386	NON-FLAMMABLE CARBON FILM RESISTOR	R25J-220	1	415472214T
R5387	NON-FLAMMABLE CARBON FILM RESISTOR	R25J-220	1	415472214T
R5388	NON-FLAMMABLE CARBON FILM RESISTOR	R25J-220	1	415472214T
R5405	NON-FLAMMABLE CARBON FILM RESISTOR	R25J-220	1	415472214T
R5406	NON-FLAMMABLE CARBON FILM RESISTOR	R25J-220	1	415472214T
R5407	NON-FLAMMABLE CARBON FILM RESISTOR	R25J-220	1	415472214T
R5408	NON-FLAMMABLE CARBON FILM RESISTOR	R25J-220	1	415472214T
R5465	NON-FLAMMABLE CARBON FILM RESISTOR	R25J-39K	1	415473934T
R5466	NON-FLAMMABLE CARBON FILM RESISTOR	R25J-39K	1	415473934T
R5467	NON-FLAMMABLE CARBON FILM RESISTOR	R25J-39K	1	415473934T
R5468	NON-FLAMMABLE CARBON FILM RESISTOR	R25J-39K	1	415473934T
R5485	NON-FLAMMABLE CARBON FILM RESISTOR	R25J-39K	1	415473934T
R5486	NON-FLAMMABLE CARBON FILM RESISTOR	R25J-39K	1	415473934T
R5487	NON-FLAMMABLE CARBON FILM RESISTOR	R25J-39K	1	415473934T
R5488	NON-FLAMMABLE CARBON FILM RESISTOR	R25J-39K	1	415473934T
R5505	NON-FLAMMABLE CARBON FILM RESISTOR	R25J-10	1	415471004T
R5506	NON-FLAMMABLE CARBON FILM RESISTOR	R25J-10	1	415471004T
R5507	NON-FLAMMABLE CARBON FILM RESISTOR	R25J-10	1	415471004T
R5508	NON-FLAMMABLE CARBON FILM RESISTOR	R25J-10	1	415471004T
R5525	NON-FLAMMABLE CARBON FILM RESISTOR	R25J-10	1	415471004T
R5526	NON-FLAMMABLE CARBON FILM RESISTOR	R25J-10	1	415471004T
R5527	NON-FLAMMABLE CARBON FILM RESISTOR	R25J-10	1	415471004T
R5528	NON-FLAMMABLE CARBON FILM RESISTOR	R25J-10	1	415471004T
R5825	NON-FLAMMABLE CARBON FILM RESISTOR	R25J-2.2	1	415470224T
R5826	NON-FLAMMABLE CARBON FILM RESISTOR	R25J-2.2	1	415470224T
R5827	NON-FLAMMABLE CARBON FILM RESISTOR	R25J-2.2	1	415470224T
R5828	NON-FLAMMABLE CARBON FILM RESISTOR	R25J-2.2	1	415470224T
R6005	METAL OXIDE FILM RESISTOR	RS2WBJ-0.22	1	442722294T
R6006	METAL OXIDE FILM RESISTOR	RS2WBJ-0.22	1	442722294T
R6007	METAL OXIDE FILM RESISTOR	RS2WBJ-0.22	1	442722294T
R6008	METAL OXIDE FILM RESISTOR	RS2WBJ-0.22	1	442722294T
R6025	METAL OXIDE FILM RESISTOR	RS2WBJ-0.22	1	442722294T
R6026	METAL OXIDE FILM RESISTOR	RS2WBJ-0.22	1	442722294T
R6027	METAL OXIDE FILM RESISTOR	RS2WBJ-0.22	1	442722294T
R6028	METAL OXIDE FILM RESISTOR	RS2WBJ-0.22	1	442722294T
R6081	METAL PLATE RESISTOR	MPR5W+5W 0R22	1	4000233
R6082	METAL PLATE RESISTOR	MPR5W+5W 0R22	1	4000233
R6083	METAL PLATE RESISTOR	MPR5W+5W 0R22	1	4000233
R6141	NON-FLAMMABLE CARBON FILM RESISTOR	R25J-0.22	1	415472294T
R6142	NON-FLAMMABLE CARBON FILM RESISTOR	R25J-0.22	1	415472294T
R6143	NON-FLAMMABLE CARBON FILM RESISTOR	R25J-0.22	1	415472294T
R6145	NON-FLAMMABLE CARBON FILM RESISTOR	R25J-0.22	1	415472294T
R6146	NON-FLAMMABLE CARBON FILM RESISTOR	R25J-0.22	1	415472294T
R6147	NON-FLAMMABLE CARBON FILM RESISTOR	R25J-0.22	1	415472294T
R6148	NON-FLAMMABLE CARBON FILM RESISTOR	R25J-0.22	1	415472294T
R6161	NON-FLAMMABLE CARBON FILM RESISTOR	R25J-0.22	1	415472294T
R6162	NON-FLAMMABLE CARBON FILM RESISTOR	R25J-0.22	1	415472294T
R6163	NON-FLAMMABLE CARBON FILM RESISTOR	R25J-0.22	1	415472294T
R6165	NON-FLAMMABLE CARBON FILM RESISTOR	R25J-0.22	1	415472294T
R6166	NON-FLAMMABLE CARBON FILM RESISTOR	R25J-0.22	1	415472294T
R6167	NON-FLAMMABLE CARBON FILM RESISTOR	R25J-0.22	1	415472294T
R6168	NON-FLAMMABLE CARBON FILM RESISTOR	R25J-0.22	1	415472294T
R6305	NON-FLAMMABLE CARBON FILM RESISTOR	R25J-120	1	415471214T
R6306	NON-FLAMMABLE CARBON FILM RESISTOR	R25J-120	1	415471214T
R6307	NON-FLAMMABLE CARBON FILM RESISTOR	R25J-120	1	415471214T
R6308	NON-FLAMMABLE CARBON FILM RESISTOR	R25J-120	1	415471214T
R6405	NON-FLAMMABLE CARBON FILM RESISTOR	R25J-56K	1	415475634T
R6406	NON-FLAMMABLE CARBON FILM RESISTOR	R25J-56K	1	415475634T

R6407	NON-FLAMMABLE CARBON FILM RESISTOR	R25J-56K	1	415475634T	
R6408	NON-FLAMMABLE CARBON FILM RESISTOR	R25J-56K	1	415475634T	
<b>[ Switches, Terminals, Wires ]</b>					
P4002	PIN JACK	NPJ-4PDWWRR624	1	25045845	
P4003	PIN JACK	NPJ-4PDWWRR624	1	25045845	
P4004	PIN JACK	NPJ-2PDWR558	1	25045776	
P4005	PIN JACK	NPJ-4PDRWB785	1	25046056	<b>N</b>
RL6911	RELAY	NRL-1P10A-DC12-196	1	25065707	
RL6912	RELAY	NRL-1P10A-DC12-196	1	25065707	

**BAAF-1979-1AF****<Note>**

Parts marked by "NSP" are generally unavailable because they are not in our Master Spare Parts List.

**<Notes>**

NSP

**NOTE : THE COMPONENTS IDENTIFIED BY THE MARK  
! ARE CRITICAL FOR RISK OF FIRE AND  
ELECTRIC SHOCK. REPLACE ONLY WITH  
PART**

REF. NO.	PART NAME	DESCRIPTION	Q'TY	PART NO. (SN)	REMARKS
<b>[ Semi-conductors ]</b>					
D6901	DIODE	TS10B06G-07	1	22380379	N
Q4001	HYBRID IC	BD34704KS2	1	22242977R3	
Q4251	HYBRID IC	78M15HF(NJM78M15FA)	1	222780155JRC	
Q4252	HYBRID IC	79M15HF(NJM79M15FA)	1	222790155JRC	
Q5105	TRANSISTOR	2SC2713-BL	1	2213136R2	
Q5106	TRANSISTOR	2SC2713-BL	1	2213136R2	
Q5107	TRANSISTOR	2SC2713-BL	1	2213136R2	
Q5108	TRANSISTOR	2SC2713-BL	1	2213136R2	
Q5125	TRANSISTOR	2SC2713-BL	1	2213136R2	
Q5126	TRANSISTOR	2SC2713-BL	1	2213136R2	
Q5127	TRANSISTOR	2SC2713-BL	1	2213136R2	
Q5128	TRANSISTOR	2SC2713-BL	1	2213136R2	
Q5225	TRANSISTOR	INC5001AP1-T111	1	2218100R2	N
Q5225or	TRANSISTOR	2SC2881-Y	(1)	2217564AR2	
Q5226	TRANSISTOR	INC5001AP1-T111	1	2218100R2	N
Q5226or	TRANSISTOR	2SC2881-Y	(1)	2217564AR2	
Q5227	TRANSISTOR	INC5001AP1-T111	1	2218100R2	N
Q5227or	TRANSISTOR	2SC2881-Y	(1)	2217564AR2	
Q5228	TRANSISTOR	INC5001AP1-T111	1	2218100R2	N
Q5228or	TRANSISTOR	2SC2881-Y	(1)	2217564AR2	
Q5385	TRANSISTOR	INA6006AP1-T111	1	2217980R2	N
Q5385or	TRANSISTOR	2SA1200-Y(2LONK_ZE)	(1)	2217584R2	
Q5386	TRANSISTOR	INA6006AP1-T111	1	2217980R2	N
Q5386or	TRANSISTOR	2SA1200-Y(2LONK_ZE)	(1)	2217584R2	
Q5387	TRANSISTOR	INA6006AP1-T111	1	2217980R2	N
Q5387or	TRANSISTOR	2SA1200-Y(2LONK_ZE)	(1)	2217584R2	
Q5388	TRANSISTOR	INA6006AP1-T111	1	2217980R2	N
Q5388or	TRANSISTOR	2SA1200-Y(2LONK_ZE)	(1)	2217584R2	
Q5405	TRANSISTOR	INC6006AP1-T111	1	2217990R2	N
Q5405or	TRANSISTOR	2SC2880-Y(2LONK_ZE)	(1)	2217594R2	
Q5406	TRANSISTOR	INC6006AP1-T111	1	2217990R2	N
Q5406or	TRANSISTOR	2SC2880-Y(2LONK_ZE)	(1)	2217594R2	
Q5407	TRANSISTOR	INC6006AP1-T111	1	2217990R2	N
Q5407or	TRANSISTOR	2SC2880-Y(2LONK_ZE)	(1)	2217594R2	
Q5408	TRANSISTOR	INC6006AP1-T111	1	2217990R2	N
Q5408or	TRANSISTOR	2SC2880-Y(2LONK_ZE)	(1)	2217594R2	
Q5601	TRANSISTOR	2SD2704K	1	2218130R2	
Q5602	TRANSISTOR	2SD2704K	1	2218130R2	
Q5603	TRANSISTOR	2SD2704K	1	2218130R2	
Q5605	TRANSISTOR	2SD2704K	1	2218130R2	
Q5606	TRANSISTOR	2SD2704K	1	2218130R2	
Q5607	TRANSISTOR	2SD2704K	1	2218130R2	
Q5608	TRANSISTOR	2SD2704K	1	2218130R2	
Q5625	TRANSISTOR	2SC2713-BL	1	2213136R2	
Q5626	TRANSISTOR	2SC2713-BL	1	2213136R2	
Q5627	TRANSISTOR	2SC2713-BL	1	2213136R2	
Q5628	TRANSISTOR	2SC2713-BL	1	2213136R2	
Q5645	TRANSISTOR	2SA1163-BL	1	2216756R2	
Q5646	TRANSISTOR	2SA1163-BL	1	2216756R2	
Q5647	TRANSISTOR	2SA1163-BL	1	2216756R2	

Q5648	TRANSISTOR	2SA1163-BL	1	2216756R2	
Q6105	TRANSISTOR	TTC004B_Q(S	1	2218022	
Q6106	TRANSISTOR	TTC004B_Q(S	1	2218022	
Q6107	TRANSISTOR	TTC004B_Q(S	1	2218022	
Q6108	TRANSISTOR	TTC004B_Q(S	1	2218022	
Q6125	TRANSISTOR	TTA004B_Q(S	1	2218012	
Q6126	TRANSISTOR	TTA004B_Q(S	1	2218012	
Q6127	TRANSISTOR	TTA004B_Q(S	1	2218012	
Q6128	TRANSISTOR	TTA004B_Q(S	1	2218012	
Q6601	TRANSISTOR	INC6002AC1	1	2218840R2	
Q6602	TRANSISTOR	INC6002AC1	1	2218840R2	
Q6603	TRANSISTOR	INC6002AC1	1	2218840R2	
Q6605	TRANSISTOR	INC6002AC1	1	2218840R2	
Q6606	TRANSISTOR	INC6002AC1	1	2218840R2	
Q6607	TRANSISTOR	INC6002AC1	1	2218840R2	
Q6608	TRANSISTOR	INC6002AC1	1	2218840R2	
Q6800	HYBRID IC	LM61CIZ	1	22242212	
<b>[ Transformers, Coils ]</b>					
L6441	SPEAKER OUTPUT FILTER COIL	SC2-0.8X5.5X18.5T	1	231455S	N
L6441or	SPEAKER OUTPUT FILTER COIL	SC-0.8X5.5X18.5T	(1)	231431S	
L6442	SPEAKER OUTPUT FILTER COIL	SC2-0.8X5.5X18.5T	1	231455S	N
L6442or	SPEAKER OUTPUT FILTER COIL	SC-0.8X5.5X18.5T	(1)	231431S	
L6443	SPEAKER OUTPUT FILTER COIL	SC2-0.8X5.5X18.5T	1	231455S	N
L6443or	SPEAKER OUTPUT FILTER COIL	SC-0.8X5.5X18.5T	(1)	231431S	
L6445	SPEAKER OUTPUT FILTER COIL	SC2-0.8X5.5X18.5T	1	231455S	N
L6445or	SPEAKER OUTPUT FILTER COIL	SC-0.8X5.5X18.5T	(1)	231431S	
L6446	SPEAKER OUTPUT FILTER COIL	SC2-0.8X5.5X18.5T	1	231455S	N
L6446or	SPEAKER OUTPUT FILTER COIL	SC-0.8X5.5X18.5T	(1)	231431S	
L6447	SPEAKER OUTPUT FILTER COIL	SC2-0.8X5.5X18.5T	1	231455S	N
L6447or	SPEAKER OUTPUT FILTER COIL	SC-0.8X5.5X18.5T	(1)	231431S	
L6448	SPEAKER OUTPUT FILTER COIL	SC2-0.8X5.5X18.5T	1	231455S	N
L6448or	SPEAKER OUTPUT FILTER COIL	SC-0.8X5.5X18.5T	(1)	231431S	
<b>[ Capacitors ]</b>					
C4041	UTSP TYPE ELECTROLYTIC CAPACITOR	CE04W50V 47M(UTSP)	1	397584707AT	N
C4042	UTSP TYPE ELECTROLYTIC CAPACITOR	CE04W50V 47M(UTSP)	1	397584707AT	N
C4043	UTSP TYPE ELECTROLYTIC CAPACITOR	CE04W50V 47M(UTSP)	1	397584707AT	N
C4044	UTSP TYPE ELECTROLYTIC CAPACITOR	CE04W50V 47M(UTSP)	1	397584707AT	N
C4045	UTSP TYPE ELECTROLYTIC CAPACITOR	CE04W25V-47M(UTSP)	1	397554707AT	N
C4046	UTSP TYPE ELECTROLYTIC CAPACITOR	CE04W25V-47M(UTSP)	1	397554707AT	N
C4047	UTSP TYPE ELECTROLYTIC CAPACITOR	CE04W25V-47M(UTSP)	1	397554707AT	N
C4048	UTSP TYPE ELECTROLYTIC CAPACITOR	CE04W25V-47M(UTSP)	1	397554707AT	N
C4049	UTSP TYPE ELECTROLYTIC CAPACITOR	CE04W50V 47M(UTSP)	1	397584707AT	N
C4050	UTSP TYPE ELECTROLYTIC CAPACITOR	CE04W50V 47M(UTSP)	1	397584707AT	N
C4051	UTSP TYPE ELECTROLYTIC CAPACITOR	CE04W50V 47M(UTSP)	1	397584707AT	N
C4052	UTSP TYPE ELECTROLYTIC CAPACITOR	CE04W50V 47M(UTSP)	1	397584707AT	N
C4063	UTSP TYPE ELECTROLYTIC CAPACITOR	CE04W25V-47M(UTSP)	1	397554707AT	N
C4064	UTSP TYPE ELECTROLYTIC CAPACITOR	CE04W25V-47M(UTSP)	1	397554707AT	N
C4101	UTSP TYPE ELECTROLYTIC CAPACITOR	CE04W50V 47M(UTSP)	1	397584707AT	N
C4102	UTSP TYPE ELECTROLYTIC CAPACITOR	CE04W50V 47M(UTSP)	1	397584707AT	N
C4103	UTSP TYPE ELECTROLYTIC CAPACITOR	CE04W50V 47M(UTSP)	1	397584707AT	N
C4104	UTSP TYPE ELECTROLYTIC CAPACITOR	CE04W50V-22M(UTSP)	1	397582207AT	N
C4105	UTSP TYPE ELECTROLYTIC CAPACITOR	CE04W50V 47M(UTSP)	1	397584707AT	N
C4106	UTSP TYPE ELECTROLYTIC CAPACITOR	CE04W50V 47M(UTSP)	1	397584707AT	N
C4107	UTSP TYPE ELECTROLYTIC CAPACITOR	CE04W50V 47M(UTSP)	1	397584707AT	N
C4108	UTSP TYPE ELECTROLYTIC CAPACITOR	CE04W50V 47M(UTSP)	1	397584707AT	N
C4175	JAMICON TYPE ELECTROLYTIC CAPACIT	CE04W16V-220M	1	398542217T	
C4176	JAMICON TYPE ELECTROLYTIC CAPACIT	CE04W16V-220M	1	398542217T	
C4190	UTSP TYPE ELECTROLYTIC CAPACITOR	CE04W50V 47M(UTSP)	1	397584707AT	N
C4251	JAMICON TYPE ELECTROLYTIC CAPACIT	CE04W35V-1000M	1	398561027T	
C4252	JAMICON TYPE ELECTROLYTIC CAPACIT	CE04W35V-1000M	1	398561027T	
C4255	JAMICON TYPE ELECTROLYTIC CAPACIT	CE04W50V-10M	1	398581007T	



C4255or	UTSP TYPE ELECTROLYTIC CAPACITOR	CE04W50V-10M(UTSP)	(1)	397581007AT	
C4256	JAMICON TYPE ELECTROLYTIC CAPACITOR	CE04W50V-10M	1	398581007T	
C4256or	UTSP TYPE ELECTROLYTIC CAPACITOR	CE04W50V-10M(UTSP)	(1)	397581007AT	
C4259	JAMICON TYPE ELECTROLYTIC CAPACITOR	CE04W50V-22M	1	398582207T	
C4259or	UTSP TYPE ELECTROLYTIC CAPACITOR	CE04W50V-22M(UTSP)	(1)	397582207AT	
C4260	JAMICON TYPE ELECTROLYTIC CAPACITOR	CE04W50V-22M	1	398582207T	
C4260or	UTSP TYPE ELECTROLYTIC CAPACITOR	CE04W50V-22M(UTSP)	(1)	397582207AT	
C4261	JAMICON TYPE ELECTROLYTIC CAPACITOR	CE04W16V-470M	1	398544717T	
C4261or	UTSP TYPE ELECTROLYTIC CAPACITOR	CE04W16V-470M(UTSP)	(1)	397544717T	
C4262	JAMICON TYPE ELECTROLYTIC CAPACITOR	CE04W16V-470M	1	398544717T	
C4262or	UTSP TYPE ELECTROLYTIC CAPACITOR	CE04W16V-470M(UTSP)	(1)	397544717T	
C4269	JAMICON TYPE ELECTROLYTIC CAPACITOR	CE04W10V-470M	1	398534717T	
C4269or	UTSP TYPE ELECTROLYTIC CAPACITOR	CE04W10V-470M(UTSP)	(1)	397534717T	
C4270	JAMICON TYPE ELECTROLYTIC CAPACITOR	CE04W10V-470M	1	398534717T	
C4270or	UTSP TYPE ELECTROLYTIC CAPACITOR	CE04W10V-470M(UTSP)	(1)	397534717T	
C4311	UTSP TYPE ELECTROLYTIC CAPACITOR	CE04W25V-47M(UTSP)	1	397554707AT	N
C4312	UTSP TYPE ELECTROLYTIC CAPACITOR	CE04W25V-47M(UTSP)	1	397554707AT	N
C4531	ELECTROLYTIC CAPACITOR	CE04W16V-47M(S)	1	353744709T	
C4532	ELECTROLYTIC CAPACITOR	CE04W16V-47M(S)	1	353744709T	
C4545	UTSP TYPE ELECTROLYTIC CAPACITOR	CE04W50V-10M(UTSP)	1	397581007AT	N
C4546	UTSP TYPE ELECTROLYTIC CAPACITOR	CE04W50V-10M(UTSP)	1	397581007AT	N
C4547	JAMICON TYPE ELECTROLYTIC CAPACITOR	CE04W16V-220M	1	398542217T	
C4548	JAMICON TYPE ELECTROLYTIC CAPACITOR	CE04W16V-220M	1	398542217T	
C4551	UTSP TYPE ELECTROLYTIC CAPACITOR	CE04W10V-220M(UTSP)	1	397532217AT	N
C4552	UTSP TYPE ELECTROLYTIC CAPACITOR	CE04W10V-220M(UTSP)	1	397532217AT	N
C5025	UTSP TYPE ELECTROLYTIC CAPACITOR	CE04W50V 47M(UTSP)	1	397584707AT	N
C5026	UTSP TYPE ELECTROLYTIC CAPACITOR	CE04W50V 47M(UTSP)	1	397584707AT	N
C5027	UTSP TYPE ELECTROLYTIC CAPACITOR	CE04W50V 47M(UTSP)	1	397584707AT	N
C5028	UTSP TYPE ELECTROLYTIC CAPACITOR	CE04W50V 47M(UTSP)	1	397584707AT	N
C5085	UTSP TYPE ELECTROLYTIC CAPACITOR	CE04W50V-10M(UTSP)	1	397581007AT	N
C5086	UTSP TYPE ELECTROLYTIC CAPACITOR	CE04W50V-10M(UTSP)	1	397581007AT	N
C5087	UTSP TYPE ELECTROLYTIC CAPACITOR	CE04W50V-10M(UTSP)	1	397581007AT	N
C5088	UTSP TYPE ELECTROLYTIC CAPACITOR	CE04W50V-10M(UTSP)	1	397581007AT	N
C5505	VR TYPE ELECTROLYTIC CAPACITOR	CE04W100V-22M(VR)	1	394692207T	
C5506	VR TYPE ELECTROLYTIC CAPACITOR	CE04W100V-22M(VR)	1	394692207T	
C5507	VR TYPE ELECTROLYTIC CAPACITOR	CE04W100V-22M(VR)	1	394692207T	
C5508	VR TYPE ELECTROLYTIC CAPACITOR	CE04W100V-22M(VR)	1	394692207T	
C5525	VR TYPE ELECTROLYTIC CAPACITOR	CE04W100V-22M(VR)	1	394692207T	
C5526	VR TYPE ELECTROLYTIC CAPACITOR	CE04W100V-22M(VR)	1	394692207T	
C5527	VR TYPE ELECTROLYTIC CAPACITOR	CE04W100V-22M(VR)	1	394692207T	
C5528	VR TYPE ELECTROLYTIC CAPACITOR	CE04W100V-22M(VR)	1	394692207T	
C5645	UTSP TYPE ELECTROLYTIC CAPACITOR	CE04W50V 47M(UTSP)	1	397584707AT	N
C5646	UTSP TYPE ELECTROLYTIC CAPACITOR	CE04W50V 47M(UTSP)	1	397584707AT	N
C5647	UTSP TYPE ELECTROLYTIC CAPACITOR	CE04W50V 47M(UTSP)	1	397584707AT	N
C5648	UTSP TYPE ELECTROLYTIC CAPACITOR	CE04W50V 47M(UTSP)	1	397584707AT	N
C6305	UTSP TYPE ELECTROLYTIC CAPACITOR	CE04W50V 47M(UTSP)	1	397584707AT	N
C6306	UTSP TYPE ELECTROLYTIC CAPACITOR	CE04W50V 47M(UTSP)	1	397584707AT	N
C6307	UTSP TYPE ELECTROLYTIC CAPACITOR	CE04W50V 47M(UTSP)	1	397584707AT	N
C6308	UTSP TYPE ELECTROLYTIC CAPACITOR	CE04W50V 47M(UTSP)	1	397584707AT	N
C6425	UTSP TYPE ELECTROLYTIC CAPACITOR	CE04W25V-220M(UTSP)	1	397552217T	N
C6426	UTSP TYPE ELECTROLYTIC CAPACITOR	CE04W25V-220M(UTSP)	1	397552217T	N
C6427	UTSP TYPE ELECTROLYTIC CAPACITOR	CE04W25V-220M(UTSP)	1	397552217T	N
C6428	UTSP TYPE ELECTROLYTIC CAPACITOR	CE04W25V-220M(UTSP)	1	397552217T	N
C6741	JAMICON TYPE ELECTROLYTIC CAPACITOR	CE04W25V-220M	1	398552217T	
C6741or	UTSP TYPE ELECTROLYTIC CAPACITOR	CE04W25V-220M(UTSP)	(1)	397552217T	
C6744	JAMICON TYPE ELECTROLYTIC CAPACITOR	CE04W50V-1M	1	398580107T	
C6744or	UTSP TYPE ELECTROLYTIC CAPACITOR	CE04W50V-1M(UTSP)	(1)	397580107AT	
C6780	JAMICON TYPE ELECTROLYTIC CAPACITOR	CE04W50V-10M	1	398581007T	
C6780or	UTSP TYPE ELECTROLYTIC CAPACITOR	CE04W50V-10M(UTSP)	(1)	397581007AT	
C6901	ELECTROLYTIC CAPACITOR	CE69W69V-8200MMN	1	3504525A	
C6902	ELECTROLYTIC CAPACITOR	CE69W69V-8200MMN	1	3504525A	

## [ Resistors ]

R5385	NON-FLAMMABLE CARBON FILM RESISTOR	R25J-220	1	415472214T
R5386	NON-FLAMMABLE CARBON FILM RESISTOR	R25J-220	1	415472214T
R5387	NON-FLAMMABLE CARBON FILM RESISTOR	R25J-220	1	415472214T
R5388	NON-FLAMMABLE CARBON FILM RESISTOR	R25J-220	1	415472214T
R5405	NON-FLAMMABLE CARBON FILM RESISTOR	R25J-220	1	415472214T
R5406	NON-FLAMMABLE CARBON FILM RESISTOR	R25J-220	1	415472214T
R5407	NON-FLAMMABLE CARBON FILM RESISTOR	R25J-220	1	415472214T
R5408	NON-FLAMMABLE CARBON FILM RESISTOR	R25J-220	1	415472214T
R5465	NON-FLAMMABLE CARBON FILM RESISTOR	R25J-39K	1	415473934T
R5466	NON-FLAMMABLE CARBON FILM RESISTOR	R25J-39K	1	415473934T
R5467	NON-FLAMMABLE CARBON FILM RESISTOR	R25J-39K	1	415473934T
R5468	NON-FLAMMABLE CARBON FILM RESISTOR	R25J-39K	1	415473934T
R5485	NON-FLAMMABLE CARBON FILM RESISTOR	R25J-39K	1	415473934T
R5486	NON-FLAMMABLE CARBON FILM RESISTOR	R25J-39K	1	415473934T
R5487	NON-FLAMMABLE CARBON FILM RESISTOR	R25J-39K	1	415473934T
R5488	NON-FLAMMABLE CARBON FILM RESISTOR	R25J-39K	1	415473934T
R5505	NON-FLAMMABLE CARBON FILM RESISTOR	R25J-10	1	415471004T
R5506	NON-FLAMMABLE CARBON FILM RESISTOR	R25J-10	1	415471004T
R5507	NON-FLAMMABLE CARBON FILM RESISTOR	R25J-10	1	415471004T
R5508	NON-FLAMMABLE CARBON FILM RESISTOR	R25J-10	1	415471004T
R5525	NON-FLAMMABLE CARBON FILM RESISTOR	R25J-10	1	415471004T
R5526	NON-FLAMMABLE CARBON FILM RESISTOR	R25J-10	1	415471004T
R5527	NON-FLAMMABLE CARBON FILM RESISTOR	R25J-10	1	415471004T
R5528	NON-FLAMMABLE CARBON FILM RESISTOR	R25J-10	1	415471004T
R5825	NON-FLAMMABLE CARBON FILM RESISTOR	R25J-2.2	1	415470224T
R5826	NON-FLAMMABLE CARBON FILM RESISTOR	R25J-2.2	1	415470224T
R5827	NON-FLAMMABLE CARBON FILM RESISTOR	R25J-2.2	1	415470224T
R5828	NON-FLAMMABLE CARBON FILM RESISTOR	R25J-2.2	1	415470224T
R6005	METAL OXIDE FILM RESISTOR	RS2WBJ-0.22	1	442722294T
R6006	METAL OXIDE FILM RESISTOR	RS2WBJ-0.22	1	442722294T
R6007	METAL OXIDE FILM RESISTOR	RS2WBJ-0.22	1	442722294T
R6008	METAL OXIDE FILM RESISTOR	RS2WBJ-0.22	1	442722294T
R6025	METAL OXIDE FILM RESISTOR	RS2WBJ-0.22	1	442722294T
R6026	METAL OXIDE FILM RESISTOR	RS2WBJ-0.22	1	442722294T
R6027	METAL OXIDE FILM RESISTOR	RS2WBJ-0.22	1	442722294T
R6028	METAL OXIDE FILM RESISTOR	RS2WBJ-0.22	1	442722294T
R6081	METAL PLATE RESISTOR	MPR5W+5W 0R22	1	4000233
R6082	METAL PLATE RESISTOR	MPR5W+5W 0R22	1	4000233
R6083	METAL PLATE RESISTOR	MPR5W+5W 0R22	1	4000233
R6141	NON-FLAMMABLE CARBON FILM RESISTOR	R25J-0.22	1	415472294T
R6142	NON-FLAMMABLE CARBON FILM RESISTOR	R25J-0.22	1	415472294T
R6143	NON-FLAMMABLE CARBON FILM RESISTOR	R25J-0.22	1	415472294T
R6145	NON-FLAMMABLE CARBON FILM RESISTOR	R25J-0.22	1	415472294T
R6146	NON-FLAMMABLE CARBON FILM RESISTOR	R25J-0.22	1	415472294T
R6147	NON-FLAMMABLE CARBON FILM RESISTOR	R25J-0.22	1	415472294T
R6148	NON-FLAMMABLE CARBON FILM RESISTOR	R25J-0.22	1	415472294T
R6161	NON-FLAMMABLE CARBON FILM RESISTOR	R25J-0.22	1	415472294T
R6162	NON-FLAMMABLE CARBON FILM RESISTOR	R25J-0.22	1	415472294T
R6163	NON-FLAMMABLE CARBON FILM RESISTOR	R25J-0.22	1	415472294T
R6165	NON-FLAMMABLE CARBON FILM RESISTOR	R25J-0.22	1	415472294T
R6166	NON-FLAMMABLE CARBON FILM RESISTOR	R25J-0.22	1	415472294T
R6167	NON-FLAMMABLE CARBON FILM RESISTOR	R25J-0.22	1	415472294T
R6168	NON-FLAMMABLE CARBON FILM RESISTOR	R25J-0.22	1	415472294T
R6305	NON-FLAMMABLE CARBON FILM RESISTOR	R25J-120	1	415471214T
R6306	NON-FLAMMABLE CARBON FILM RESISTOR	R25J-120	1	415471214T
R6307	NON-FLAMMABLE CARBON FILM RESISTOR	R25J-120	1	415471214T
R6308	NON-FLAMMABLE CARBON FILM RESISTOR	R25J-120	1	415471214T
R6405	NON-FLAMMABLE CARBON FILM RESISTOR	R25J-56K	1	415475634T
R6406	NON-FLAMMABLE CARBON FILM RESISTOR	R25J-56K	1	415475634T
R6407	NON-FLAMMABLE CARBON FILM RESISTOR	R25J-56K	1	415475634T

R6408	NON-FLAMMABLE CARBON FILM RESISTOR	R25J-56K	1	415475634T	
<b>[ Switches, Terminals, Wires ]</b>					
P4002	PIN JACK	NPJ-4PDWWRR624	1	25045845	
P4003	PIN JACK	NPJ-4PDWWRR624	1	25045845	
P4004	PIN JACK	NPJ-2PDWR558	1	25045776	
P4005	PIN JACK	NPJ-4PDRWB785	1	25046056	<b>N</b>
RL6911	RELAY	NRL-1P10A-DC12-196	1	25065707	
RL6912	RELAY	NRL-1P10A-DC12-196	1	25065707	



**BAAF-1979-1AG****<Note>**

Parts marked by "NSP" are generally unavailable because they are not in our Master Spare Parts List.

**<Notes>**

NSP

**NOTE : THE COMPONENTS IDENTIFIED BY THE MARK  
! ARE CRITICAL FOR RISK OF FIRE AND  
ELECTRIC SHOCK. REPLACE ONLY WITH  
PART**

REF. NO.	PART NAME	DESCRIPTION	Q'TY	PART NO. (SN)	REMARKS
<b>[ Semi-conductors ]</b>					
D6901	DIODE	TS10B06G-07	1	22380379	N
Q4001	HYBRID IC	BD34704KS2	1	22242977R3	
Q4251	HYBRID IC	78M15HF(NJM78M15FA)	1	222780155JRC	
Q4252	HYBRID IC	79M15HF(NJM79M15FA)	1	222790155JRC	
Q5105	TRANSISTOR	2SC2713-BL	1	2213136R2	
Q5106	TRANSISTOR	2SC2713-BL	1	2213136R2	
Q5107	TRANSISTOR	2SC2713-BL	1	2213136R2	
Q5108	TRANSISTOR	2SC2713-BL	1	2213136R2	
Q5125	TRANSISTOR	2SC2713-BL	1	2213136R2	
Q5126	TRANSISTOR	2SC2713-BL	1	2213136R2	
Q5127	TRANSISTOR	2SC2713-BL	1	2213136R2	
Q5128	TRANSISTOR	2SC2713-BL	1	2213136R2	
Q5225	TRANSISTOR	INC5001AP1-T111	1	2218100R2	N
Q5225or	TRANSISTOR	2SC2881-Y	(1)	2217564AR2	
Q5226	TRANSISTOR	INC5001AP1-T111	1	2218100R2	N
Q5226or	TRANSISTOR	2SC2881-Y	(1)	2217564AR2	
Q5227	TRANSISTOR	INC5001AP1-T111	1	2218100R2	N
Q5227or	TRANSISTOR	2SC2881-Y	(1)	2217564AR2	
Q5228	TRANSISTOR	INC5001AP1-T111	1	2218100R2	N
Q5228or	TRANSISTOR	2SC2881-Y	(1)	2217564AR2	
Q5385	TRANSISTOR	INA6006AP1-T111	1	2217980R2	N
Q5385or	TRANSISTOR	2SA1200-Y(2LONK_ZE)	(1)	2217584R2	
Q5386	TRANSISTOR	INA6006AP1-T111	1	2217980R2	N
Q5386or	TRANSISTOR	2SA1200-Y(2LONK_ZE)	(1)	2217584R2	
Q5387	TRANSISTOR	INA6006AP1-T111	1	2217980R2	N
Q5387or	TRANSISTOR	2SA1200-Y(2LONK_ZE)	(1)	2217584R2	
Q5388	TRANSISTOR	INA6006AP1-T111	1	2217980R2	N
Q5388or	TRANSISTOR	2SA1200-Y(2LONK_ZE)	(1)	2217584R2	
Q5405	TRANSISTOR	INC6006AP1-T111	1	2217990R2	N
Q5405or	TRANSISTOR	2SC2880-Y(2LONK_ZE)	(1)	2217594R2	
Q5406	TRANSISTOR	INC6006AP1-T111	1	2217990R2	N
Q5406or	TRANSISTOR	2SC2880-Y(2LONK_ZE)	(1)	2217594R2	
Q5407	TRANSISTOR	INC6006AP1-T111	1	2217990R2	N
Q5407or	TRANSISTOR	2SC2880-Y(2LONK_ZE)	(1)	2217594R2	
Q5408	TRANSISTOR	INC6006AP1-T111	1	2217990R2	N
Q5408or	TRANSISTOR	2SC2880-Y(2LONK_ZE)	(1)	2217594R2	
Q5601	TRANSISTOR	2SD2704K	1	2218130R2	
Q5602	TRANSISTOR	2SD2704K	1	2218130R2	
Q5603	TRANSISTOR	2SD2704K	1	2218130R2	
Q5605	TRANSISTOR	2SD2704K	1	2218130R2	
Q5606	TRANSISTOR	2SD2704K	1	2218130R2	
Q5607	TRANSISTOR	2SD2704K	1	2218130R2	
Q5608	TRANSISTOR	2SD2704K	1	2218130R2	
Q5625	TRANSISTOR	2SC2713-BL	1	2213136R2	
Q5626	TRANSISTOR	2SC2713-BL	1	2213136R2	
Q5627	TRANSISTOR	2SC2713-BL	1	2213136R2	
Q5628	TRANSISTOR	2SC2713-BL	1	2213136R2	
Q5645	TRANSISTOR	2SA1163-BL	1	2216756R2	
Q5646	TRANSISTOR	2SA1163-BL	1	2216756R2	
Q5647	TRANSISTOR	2SA1163-BL	1	2216756R2	

Q5648	TRANSISTOR	2SA1163-BL	1	2216756R2	
Q6105	TRANSISTOR	TTC004B_Q(S	1	2218022	
Q6106	TRANSISTOR	TTC004B_Q(S	1	2218022	
Q6107	TRANSISTOR	TTC004B_Q(S	1	2218022	
Q6108	TRANSISTOR	TTC004B_Q(S	1	2218022	
Q6125	TRANSISTOR	TTA004B_Q(S	1	2218012	
Q6126	TRANSISTOR	TTA004B_Q(S	1	2218012	
Q6127	TRANSISTOR	TTA004B_Q(S	1	2218012	
Q6128	TRANSISTOR	TTA004B_Q(S	1	2218012	
Q6601	TRANSISTOR	INC6002AC1	1	2218840R2	
Q6602	TRANSISTOR	INC6002AC1	1	2218840R2	
Q6603	TRANSISTOR	INC6002AC1	1	2218840R2	
Q6605	TRANSISTOR	INC6002AC1	1	2218840R2	
Q6606	TRANSISTOR	INC6002AC1	1	2218840R2	
Q6607	TRANSISTOR	INC6002AC1	1	2218840R2	
Q6608	TRANSISTOR	INC6002AC1	1	2218840R2	
Q6800	HYBRID IC	LM61CIZ	1	22242212	
<b>[ Transformers, Coils ]</b>					
L6441	SPEAKER OUTPUT FILTER COIL	SC2-0.8X5.5X18.5T	1	231455S	N
L6441or	SPEAKER OUTPUT FILTER COIL	SC-0.8X5.5X18.5T	(1)	231431S	
L6442	SPEAKER OUTPUT FILTER COIL	SC2-0.8X5.5X18.5T	1	231455S	N
L6442or	SPEAKER OUTPUT FILTER COIL	SC-0.8X5.5X18.5T	(1)	231431S	
L6443	SPEAKER OUTPUT FILTER COIL	SC2-0.8X5.5X18.5T	1	231455S	N
L6443or	SPEAKER OUTPUT FILTER COIL	SC-0.8X5.5X18.5T	(1)	231431S	
L6445	SPEAKER OUTPUT FILTER COIL	SC2-0.8X5.5X18.5T	1	231455S	N
L6445or	SPEAKER OUTPUT FILTER COIL	SC-0.8X5.5X18.5T	(1)	231431S	
L6446	SPEAKER OUTPUT FILTER COIL	SC2-0.8X5.5X18.5T	1	231455S	N
L6446or	SPEAKER OUTPUT FILTER COIL	SC-0.8X5.5X18.5T	(1)	231431S	
L6447	SPEAKER OUTPUT FILTER COIL	SC2-0.8X5.5X18.5T	1	231455S	N
L6447or	SPEAKER OUTPUT FILTER COIL	SC-0.8X5.5X18.5T	(1)	231431S	
L6448	SPEAKER OUTPUT FILTER COIL	SC2-0.8X5.5X18.5T	1	231455S	N
L6448or	SPEAKER OUTPUT FILTER COIL	SC-0.8X5.5X18.5T	(1)	231431S	
<b>[ Capacitors ]</b>					
C4041	UTSP TYPE ELECTROLYTIC CAPACITOR	CE04W50V 47M(UTSP)	1	397584707AT	N
C4042	UTSP TYPE ELECTROLYTIC CAPACITOR	CE04W50V 47M(UTSP)	1	397584707AT	N
C4043	UTSP TYPE ELECTROLYTIC CAPACITOR	CE04W50V 47M(UTSP)	1	397584707AT	N
C4044	UTSP TYPE ELECTROLYTIC CAPACITOR	CE04W50V 47M(UTSP)	1	397584707AT	N
C4045	UTSP TYPE ELECTROLYTIC CAPACITOR	CE04W25V-47M(UTSP)	1	397554707AT	N
C4046	UTSP TYPE ELECTROLYTIC CAPACITOR	CE04W25V-47M(UTSP)	1	397554707AT	N
C4047	UTSP TYPE ELECTROLYTIC CAPACITOR	CE04W25V-47M(UTSP)	1	397554707AT	N
C4048	UTSP TYPE ELECTROLYTIC CAPACITOR	CE04W25V-47M(UTSP)	1	397554707AT	N
C4049	UTSP TYPE ELECTROLYTIC CAPACITOR	CE04W50V 47M(UTSP)	1	397584707AT	N
C4050	UTSP TYPE ELECTROLYTIC CAPACITOR	CE04W50V 47M(UTSP)	1	397584707AT	N
C4051	UTSP TYPE ELECTROLYTIC CAPACITOR	CE04W50V 47M(UTSP)	1	397584707AT	N
C4052	UTSP TYPE ELECTROLYTIC CAPACITOR	CE04W50V 47M(UTSP)	1	397584707AT	N
C4063	UTSP TYPE ELECTROLYTIC CAPACITOR	CE04W25V-47M(UTSP)	1	397554707AT	N
C4064	UTSP TYPE ELECTROLYTIC CAPACITOR	CE04W25V-47M(UTSP)	1	397554707AT	N
C4101	UTSP TYPE ELECTROLYTIC CAPACITOR	CE04W50V 47M(UTSP)	1	397584707AT	N
C4102	UTSP TYPE ELECTROLYTIC CAPACITOR	CE04W50V 47M(UTSP)	1	397584707AT	N
C4103	UTSP TYPE ELECTROLYTIC CAPACITOR	CE04W50V 47M(UTSP)	1	397584707AT	N
C4104	UTSP TYPE ELECTROLYTIC CAPACITOR	CE04W50V-22M(UTSP)	1	397582207AT	N
C4105	UTSP TYPE ELECTROLYTIC CAPACITOR	CE04W50V 47M(UTSP)	1	397584707AT	N
C4106	UTSP TYPE ELECTROLYTIC CAPACITOR	CE04W50V 47M(UTSP)	1	397584707AT	N
C4107	UTSP TYPE ELECTROLYTIC CAPACITOR	CE04W50V 47M(UTSP)	1	397584707AT	N
C4108	UTSP TYPE ELECTROLYTIC CAPACITOR	CE04W50V 47M(UTSP)	1	397584707AT	N
C4175	JAMICON TYPE ELECTROLYTIC CAPACIT	CE04W16V-220M	1	398542217T	
C4176	JAMICON TYPE ELECTROLYTIC CAPACIT	CE04W16V-220M	1	398542217T	
C4190	UTSP TYPE ELECTROLYTIC CAPACITOR	CE04W50V 47M(UTSP)	1	397584707AT	N
C4251	JAMICON TYPE ELECTROLYTIC CAPACIT	CE04W35V-1000M	1	398561027T	
C4252	JAMICON TYPE ELECTROLYTIC CAPACIT	CE04W35V-1000M	1	398561027T	
C4255	JAMICON TYPE ELECTROLYTIC CAPACIT	CE04W50V-10M	1	398581007T	

C4255or	UTSP TYPE ELECTROLYTIC CAPACITOR	CE04W50V-10M(UTSP)	(1)	397581007AT	
C4256	JAMICON TYPE ELECTROLYTIC CAPACIT	CE04W50V-10M	1	398581007T	
C4256or	UTSP TYPE ELECTROLYTIC CAPACITOR	CE04W50V-10M(UTSP)	(1)	397581007AT	
C4259	JAMICON TYPE ELECTROLYTIC CAPACIT	CE04W50V-22M	1	398582207T	
C4259or	UTSP TYPE ELECTROLYTIC CAPACITOR	CE04W50V-22M(UTSP)	(1)	397582207AT	
C4260	JAMICON TYPE ELECTROLYTIC CAPACIT	CE04W50V-22M	1	398582207T	
C4260or	UTSP TYPE ELECTROLYTIC CAPACITOR	CE04W50V-22M(UTSP)	(1)	397582207AT	
C4261	JAMICON TYPE ELECTROLYTIC CAPACIT	CE04W16V-470M	1	398544717T	
C4261or	UTSP TYPE ELECTROLYTIC CAPACITOR	CE04W16V-470M(UTSP)	(1)	397544717T	
C4262	JAMICON TYPE ELECTROLYTIC CAPACIT	CE04W16V-470M	1	398544717T	
C4262or	UTSP TYPE ELECTROLYTIC CAPACITOR	CE04W16V-470M(UTSP)	(1)	397544717T	
C4269	JAMICON TYPE ELECTROLYTIC CAPACIT	CE04W10V-470M	1	398534717T	
C4269or	UTSP TYPE ELECTROLYTIC CAPACITOR	CE04W10V-470M(UTSP)	(1)	397534717T	
C4270	JAMICON TYPE ELECTROLYTIC CAPACIT	CE04W10V-470M	1	398534717T	
C4270or	UTSP TYPE ELECTROLYTIC CAPACITOR	CE04W10V-470M(UTSP)	(1)	397534717T	
C4301	UTSP TYPE ELECTROLYTIC CAPACITOR	CE04W25V-47M(UTSP)	1	397554707AT	N
C4302	UTSP TYPE ELECTROLYTIC CAPACITOR	CE04W25V-47M(UTSP)	1	397554707AT	N
C4303	UTSP TYPE ELECTROLYTIC CAPACITOR	CE04W25V-47M(UTSP)	1	397554707AT	N
C4304	UTSP TYPE ELECTROLYTIC CAPACITOR	CE04W25V-47M(UTSP)	1	397554707AT	N
C4309	UTSP TYPE ELECTROLYTIC CAPACITOR	CE04W50V-4.7M(UTSP)	1	397580477AT	N
C4310	UTSP TYPE ELECTROLYTIC CAPACITOR	CE04W50V-4.7M(UTSP)	1	397580477AT	N
C4311	UTSP TYPE ELECTROLYTIC CAPACITOR	CE04W25V-47M(UTSP)	1	397554707AT	N
C4312	UTSP TYPE ELECTROLYTIC CAPACITOR	CE04W25V-47M(UTSP)	1	397554707AT	N
C4315	UTSP TYPE ELECTROLYTIC CAPACITOR	CE04W50V-10M(UTSP)	1	397581007AT	N
C4531	ELECTROLYTIC CAPACITOR	CE04W16V-47M(S)	1	353744709T	
C4532	ELECTROLYTIC CAPACITOR	CE04W16V-47M(S)	1	353744709T	
C4545	UTSP TYPE ELECTROLYTIC CAPACITOR	CE04W50V-10M(UTSP)	1	397581007AT	N
C4546	UTSP TYPE ELECTROLYTIC CAPACITOR	CE04W50V-10M(UTSP)	1	397581007AT	N
C4547	JAMICON TYPE ELECTROLYTIC CAPACIT	CE04W16V-220M	1	398542217T	
C4548	JAMICON TYPE ELECTROLYTIC CAPACIT	CE04W16V-220M	1	398542217T	
C4551	UTSP TYPE ELECTROLYTIC CAPACITOR	CE04W10V-220M(UTSP)	1	397532217AT	N
C4552	UTSP TYPE ELECTROLYTIC CAPACITOR	CE04W10V-220M(UTSP)	1	397532217AT	N
C5025	UTSP TYPE ELECTROLYTIC CAPACITOR	CE04W50V 47M(UTSP)	1	397584707AT	N
C5026	UTSP TYPE ELECTROLYTIC CAPACITOR	CE04W50V 47M(UTSP)	1	397584707AT	N
C5027	UTSP TYPE ELECTROLYTIC CAPACITOR	CE04W50V 47M(UTSP)	1	397584707AT	N
C5028	UTSP TYPE ELECTROLYTIC CAPACITOR	CE04W50V 47M(UTSP)	1	397584707AT	N
C5085	UTSP TYPE ELECTROLYTIC CAPACITOR	CE04W50V-10M(UTSP)	1	397581007AT	N
C5086	UTSP TYPE ELECTROLYTIC CAPACITOR	CE04W50V-10M(UTSP)	1	397581007AT	N
C5087	UTSP TYPE ELECTROLYTIC CAPACITOR	CE04W50V-10M(UTSP)	1	397581007AT	N
C5088	UTSP TYPE ELECTROLYTIC CAPACITOR	CE04W50V-10M(UTSP)	1	397581007AT	N
C5505	VR TYPE ELECTROLYTIC CAPACITOR	CE04W100V-22M(VR)	1	394692207T	
C5506	VR TYPE ELECTROLYTIC CAPACITOR	CE04W100V-22M(VR)	1	394692207T	
C5507	VR TYPE ELECTROLYTIC CAPACITOR	CE04W100V-22M(VR)	1	394692207T	
C5508	VR TYPE ELECTROLYTIC CAPACITOR	CE04W100V-22M(VR)	1	394692207T	
C5525	VR TYPE ELECTROLYTIC CAPACITOR	CE04W100V-22M(VR)	1	394692207T	
C5526	VR TYPE ELECTROLYTIC CAPACITOR	CE04W100V-22M(VR)	1	394692207T	
C5527	VR TYPE ELECTROLYTIC CAPACITOR	CE04W100V-22M(VR)	1	394692207T	
C5528	VR TYPE ELECTROLYTIC CAPACITOR	CE04W100V-22M(VR)	1	394692207T	
C5645	UTSP TYPE ELECTROLYTIC CAPACITOR	CE04W50V 47M(UTSP)	1	397584707AT	N
C5646	UTSP TYPE ELECTROLYTIC CAPACITOR	CE04W50V 47M(UTSP)	1	397584707AT	N
C5647	UTSP TYPE ELECTROLYTIC CAPACITOR	CE04W50V 47M(UTSP)	1	397584707AT	N
C5648	UTSP TYPE ELECTROLYTIC CAPACITOR	CE04W50V 47M(UTSP)	1	397584707AT	N
C6305	UTSP TYPE ELECTROLYTIC CAPACITOR	CE04W50V 47M(UTSP)	1	397584707AT	N
C6306	UTSP TYPE ELECTROLYTIC CAPACITOR	CE04W50V 47M(UTSP)	1	397584707AT	N
C6307	UTSP TYPE ELECTROLYTIC CAPACITOR	CE04W50V 47M(UTSP)	1	397584707AT	N
C6308	UTSP TYPE ELECTROLYTIC CAPACITOR	CE04W50V 47M(UTSP)	1	397584707AT	N
C6425	UTSP TYPE ELECTROLYTIC CAPACITOR	CE04W25V-220M(UTSP)	1	397552217T	N
C6426	UTSP TYPE ELECTROLYTIC CAPACITOR	CE04W25V-220M(UTSP)	1	397552217T	N
C6427	UTSP TYPE ELECTROLYTIC CAPACITOR	CE04W25V-220M(UTSP)	1	397552217T	N
C6428	UTSP TYPE ELECTROLYTIC CAPACITOR	CE04W25V-220M(UTSP)	1	397552217T	N
C6741	JAMICON TYPE ELECTROLYTIC CAPACIT	CE04W25V-220M	1	398552217T	

C6741or	UTSP TYPE ELECTROLYTIC CAPACITOR	CE04W25V-220M(UTSP)	(1)	397552217T
C6744	JAMICON TYPE ELECTROLYTIC CAPACIT	CE04W50V-1M	1	398580107T
C6744or	UTSP TYPE ELECTROLYTIC CAPACITOR	CE04W50V-1M(UTSP)	(1)	397580107AT
C6780	JAMICON TYPE ELECTROLYTIC CAPACIT	CE04W50V-10M	1	398581007T
C6780or	UTSP TYPE ELECTROLYTIC CAPACITOR	CE04W50V-10M(UTSP)	(1)	397581007AT
C6901	ELECTROLYTIC CAPACITOR	CE69W69V-8200MMN	1	3504525A
C6902	ELECTROLYTIC CAPACITOR	CE69W69V-8200MMN	1	3504525A
<b>[ Resistors ]</b>				
R5385	NON-FLAMMABLE CARBON FILM RESIST	R25J-220	1	415472214T
R5386	NON-FLAMMABLE CARBON FILM RESIST	R25J-220	1	415472214T
R5387	NON-FLAMMABLE CARBON FILM RESIST	R25J-220	1	415472214T
R5388	NON-FLAMMABLE CARBON FILM RESIST	R25J-220	1	415472214T
R5405	NON-FLAMMABLE CARBON FILM RESIST	R25J-220	1	415472214T
R5406	NON-FLAMMABLE CARBON FILM RESIST	R25J-220	1	415472214T
R5407	NON-FLAMMABLE CARBON FILM RESIST	R25J-220	1	415472214T
R5408	NON-FLAMMABLE CARBON FILM RESIST	R25J-220	1	415472214T
R5465	NON-FLAMMABLE CARBON FILM RESIST	R25J-39K	1	415473934T
R5466	NON-FLAMMABLE CARBON FILM RESIST	R25J-39K	1	415473934T
R5467	NON-FLAMMABLE CARBON FILM RESIST	R25J-39K	1	415473934T
R5468	NON-FLAMMABLE CARBON FILM RESIST	R25J-39K	1	415473934T
R5485	NON-FLAMMABLE CARBON FILM RESIST	R25J-39K	1	415473934T
R5486	NON-FLAMMABLE CARBON FILM RESIST	R25J-39K	1	415473934T
R5487	NON-FLAMMABLE CARBON FILM RESIST	R25J-39K	1	415473934T
R5488	NON-FLAMMABLE CARBON FILM RESIST	R25J-39K	1	415473934T
R5505	NON-FLAMMABLE CARBON FILM RESIST	R25J-10	1	415471004T
R5506	NON-FLAMMABLE CARBON FILM RESIST	R25J-10	1	415471004T
R5507	NON-FLAMMABLE CARBON FILM RESIST	R25J-10	1	415471004T
R5508	NON-FLAMMABLE CARBON FILM RESIST	R25J-10	1	415471004T
R5525	NON-FLAMMABLE CARBON FILM RESIST	R25J-10	1	415471004T
R5526	NON-FLAMMABLE CARBON FILM RESIST	R25J-10	1	415471004T
R5527	NON-FLAMMABLE CARBON FILM RESIST	R25J-10	1	415471004T
R5528	NON-FLAMMABLE CARBON FILM RESIST	R25J-10	1	415471004T
R5825	NON-FLAMMABLE CARBON FILM RESIST	R25J-2.2	1	415470224T
R5826	NON-FLAMMABLE CARBON FILM RESIST	R25J-2.2	1	415470224T
R5827	NON-FLAMMABLE CARBON FILM RESIST	R25J-2.2	1	415470224T
R5828	NON-FLAMMABLE CARBON FILM RESIST	R25J-2.2	1	415470224T
R6005	METAL OXIDE FILM RESISTOR	RS2WBJ-0.22	1	442722294T
R6006	METAL OXIDE FILM RESISTOR	RS2WBJ-0.22	1	442722294T
R6007	METAL OXIDE FILM RESISTOR	RS2WBJ-0.22	1	442722294T
R6008	METAL OXIDE FILM RESISTOR	RS2WBJ-0.22	1	442722294T
R6025	METAL OXIDE FILM RESISTOR	RS2WBJ-0.22	1	442722294T
R6026	METAL OXIDE FILM RESISTOR	RS2WBJ-0.22	1	442722294T
R6027	METAL OXIDE FILM RESISTOR	RS2WBJ-0.22	1	442722294T
R6028	METAL OXIDE FILM RESISTOR	RS2WBJ-0.22	1	442722294T
R6081	METAL PLATE RESISTOR	MPR5W+5W 0R22	1	4000233
R6082	METAL PLATE RESISTOR	MPR5W+5W 0R22	1	4000233
R6083	METAL PLATE RESISTOR	MPR5W+5W 0R22	1	4000233
R6141	NON-FLAMMABLE CARBON FILM RESIST	R25J-0.22	1	415472294T
R6142	NON-FLAMMABLE CARBON FILM RESIST	R25J-0.22	1	415472294T
R6143	NON-FLAMMABLE CARBON FILM RESIST	R25J-0.22	1	415472294T
R6145	NON-FLAMMABLE CARBON FILM RESIST	R25J-0.22	1	415472294T
R6146	NON-FLAMMABLE CARBON FILM RESIST	R25J-0.22	1	415472294T
R6147	NON-FLAMMABLE CARBON FILM RESIST	R25J-0.22	1	415472294T
R6148	NON-FLAMMABLE CARBON FILM RESIST	R25J-0.22	1	415472294T
R6161	NON-FLAMMABLE CARBON FILM RESIST	R25J-0.22	1	415472294T
R6162	NON-FLAMMABLE CARBON FILM RESIST	R25J-0.22	1	415472294T
R6163	NON-FLAMMABLE CARBON FILM RESIST	R25J-0.22	1	415472294T
R6165	NON-FLAMMABLE CARBON FILM RESIST	R25J-0.22	1	415472294T
R6166	NON-FLAMMABLE CARBON FILM RESIST	R25J-0.22	1	415472294T
R6167	NON-FLAMMABLE CARBON FILM RESIST	R25J-0.22	1	415472294T
R6168	NON-FLAMMABLE CARBON FILM RESIST	R25J-0.22	1	415472294T

R6305	NON-FLAMMABLE CARBON FILM RESISTOR	R25J-120	1	415471214T	
R6306	NON-FLAMMABLE CARBON FILM RESISTOR	R25J-120	1	415471214T	
R6307	NON-FLAMMABLE CARBON FILM RESISTOR	R25J-120	1	415471214T	
R6308	NON-FLAMMABLE CARBON FILM RESISTOR	R25J-120	1	415471214T	
R6405	NON-FLAMMABLE CARBON FILM RESISTOR	R25J-56K	1	415475634T	
R6406	NON-FLAMMABLE CARBON FILM RESISTOR	R25J-56K	1	415475634T	
R6407	NON-FLAMMABLE CARBON FILM RESISTOR	R25J-56K	1	415475634T	
R6408	NON-FLAMMABLE CARBON FILM RESISTOR	R25J-56K	1	415475634T	
<b>[ Switches, Terminals, Wires ]</b>					
P4002	PIN JACK	NPJ-4PDWRR624	1	25045845	
P4003	PIN JACK	NPJ-4PDWRR624	1	25045845	
P4004	PIN JACK	NPJ-2PDWR558	1	25045776	
P4005	PIN JACK	NPJ-4PDRWB785	1	25046056	<b>N</b>
RL6911	RELAY	NRL-1P10A-DC12-196	1	25065707	
RL6912	RELAY	NRL-1P10A-DC12-196	1	25065707	



## BADIS-2015-1E

## &lt;Note&gt;

Parts marked by "NSP" are generally unavailable because they are not in our Master Spare Parts List.

## &lt;Notes&gt;

: NSP

**NOTE : THE COMPONENTS IDENTIFIED BY THE MARK  
! ARE CRITICAL FOR RISK OF FIRE AND  
ELECTRIC SHOCK. REPLACE ONLY WITH  
PART**

REF. NO.	PART NAME	DESCRIPTION	Q'TY	PART NO. (SN)	REMARKS
<b>[ Semi-conductors ]</b>					
D7750B	LED	HLMP-Y601-J0000	1	225545	
D7751B	LED	HLMP-Y601-J0000	1	225545	
D7752B	LED	HLMP-Y601-J0000	1	225545	
D7753B	LED	HLMP-Y601-J0000	1	225545	
Q1922	PHOTO COUPLER	JSR1165-001recieving	1	24120143	
Q1923	PHOTO COUPLER	JSR1165-001recieving	1	24120143	
Q5101	TRANSISTOR	2SC2713-BL	1	2213136R2	
Q5102	TRANSISTOR	2SC2713-BL	1	2213136R2	
Q5103	TRANSISTOR	2SC2713-BL	1	2213136R2	
Q5121	TRANSISTOR	2SC2713-BL	1	2213136R2	
Q5122	TRANSISTOR	2SC2713-BL	1	2213136R2	
Q5123	TRANSISTOR	2SC2713-BL	1	2213136R2	
Q5221	TRANSISTOR	INC5001AP1-T111	1	2218100R2	
Q5221or	TRANSISTOR	2SC2881-Y	(1)	2217564AR2	
Q5222	TRANSISTOR	INC5001AP1-T111	1	2218100R2	
Q5222or	TRANSISTOR	2SC2881-Y	(1)	2217564AR2	
Q5223	TRANSISTOR	INC5001AP1-T111	1	2218100R2	
Q5223or	TRANSISTOR	2SC2881-Y	(1)	2217564AR2	
Q5381	TRANSISTOR	INA6006AP1-T111	1	2217980R2	
Q5381or	TRANSISTOR	2SA1200-Y(2LONK_ZE)	(1)	2217584R2	
Q5382	TRANSISTOR	INA6006AP1-T111	1	2217980R2	
Q5382or	TRANSISTOR	2SA1200-Y(2LONK_ZE)	(1)	2217584R2	
Q5383	TRANSISTOR	INA6006AP1-T111	1	2217980R2	
Q5383or	TRANSISTOR	2SA1200-Y(2LONK_ZE)	(1)	2217584R2	
Q5401	TRANSISTOR	INC6006AP1-T111	1	2217990R2	
Q5401or	TRANSISTOR	2SC2880-Y(2LONK_ZE)	(1)	2217594R2	
Q5402	TRANSISTOR	INC6006AP1-T111	1	2217990R2	
Q5402or	TRANSISTOR	2SC2880-Y(2LONK_ZE)	(1)	2217594R2	
Q5403	TRANSISTOR	INC6006AP1-T111	1	2217990R2	
Q5403or	TRANSISTOR	2SC2880-Y(2LONK_ZE)	(1)	2217594R2	
Q5621	TRANSISTOR	2SC2713-BL	1	2213136R2	
Q5622	TRANSISTOR	2SC2713-BL	1	2213136R2	
Q5623	TRANSISTOR	2SC2713-BL	1	2213136R2	
Q5641	TRANSISTOR	2SA1163-BL	1	2216756R2	
Q5642	TRANSISTOR	2SA1163-BL	1	2216756R2	
Q5643	TRANSISTOR	2SA1163-BL	1	2216756R2	
Q6101	TRANSISTOR	TTC004B_Q(S)	1	2218022	
Q6102	TRANSISTOR	TTC004B_Q(S)	1	2218022	
Q6103	TRANSISTOR	TTC004B_Q(S)	1	2218022	
Q6121	TRANSISTOR	TTA004B_Q(S)	1	2218012	
Q6122	TRANSISTOR	TTA004B_Q(S)	1	2218012	
Q6123	TRANSISTOR	TTA004B_Q(S)	1	2218012	
Q7780	REMOTE SENSOR	IRM-3638M3S28	1	24130026	
Q7905	FLUORESCENT TUBE	016MT097GINYK	1	212286A	
Q9001	HYBRID IC	STR-A6051M	1	222154	
Q9003	HYBRID IC	EL816MX	1	22242845	N
X1	CRYSTAL	HC-49S 9B12.000MHz	1	3010533	
<b>[ Transformers, Coils ]</b>					
L5	ANTENNA COIL	K7-D	1	232212	
L9001	CHOKE COIL	EM-UT2014-0033	1	231474	N

L9002	CHOKO COIL	RCR1010NP-100M	1	231449M100	
T9001	POWER TRANSFORMER	NPT-1632S	1	2302076	!
T9001or	POWER TRANSFORMER	NPT-1633S	(1)	2302077	!
<b>[ Capacitors ]</b>					
C1901	UTSP TYPE ELECTROLYTIC CAPACITOR	CE04W25V-100M(UTSP)	1	397551017AT	
C1902	UTSP TYPE ELECTROLYTIC CAPACITOR	CE04W25V-100M(UTSP)	1	397551017AT	
C1903	UTSP TYPE ELECTROLYTIC CAPACITOR	CE04W25V-100M(UTSP)	1	397551017AT	
C1904	UTSP TYPE ELECTROLYTIC CAPACITOR	CE04W25V-100M(UTSP)	1	397551017AT	
C1924	UTSP TYPE ELECTROLYTIC CAPACITOR	CE04W10V-220M(UTSP)	1	397532217AT	
C5021	UTSP TYPE ELECTROLYTIC CAPACITOR	CE04W50V 47M(UTSP)	1	397584707AT	
C5022	UTSP TYPE ELECTROLYTIC CAPACITOR	CE04W50V 47M(UTSP)	1	397584707AT	
C5023	UTSP TYPE ELECTROLYTIC CAPACITOR	CE04W50V 47M(UTSP)	1	397584707AT	
C5081	UTSP TYPE ELECTROLYTIC CAPACITOR	CE04W50V-10M(UTSP)	1	397581007AT	
C5082	UTSP TYPE ELECTROLYTIC CAPACITOR	CE04W50V-10M(UTSP)	1	397581007AT	
C5083	UTSP TYPE ELECTROLYTIC CAPACITOR	CE04W50V-10M(UTSP)	1	397581007AT	
C5501	VR TYPE ELECTROLYTIC CAPACITOR	CE04W100V-22M(VR)	1	394692207T	
C5502	VR TYPE ELECTROLYTIC CAPACITOR	CE04W100V-22M(VR)	1	394692207T	
C5503	VR TYPE ELECTROLYTIC CAPACITOR	CE04W100V-22M(VR)	1	394692207T	
C5521	VR TYPE ELECTROLYTIC CAPACITOR	CE04W100V-22M(VR)	1	394692207T	
C5522	VR TYPE ELECTROLYTIC CAPACITOR	CE04W100V-22M(VR)	1	394692207T	
C5523	VR TYPE ELECTROLYTIC CAPACITOR	CE04W100V-22M(VR)	1	394692207T	
C5641	UTSP TYPE ELECTROLYTIC CAPACITOR	CE04W50V 47M(UTSP)	1	397584707AT	
C5642	UTSP TYPE ELECTROLYTIC CAPACITOR	CE04W50V 47M(UTSP)	1	397584707AT	
C5643	UTSP TYPE ELECTROLYTIC CAPACITOR	CE04W50V 47M(UTSP)	1	397584707AT	
C6301	UTSP TYPE ELECTROLYTIC CAPACITOR	CE04W50V 47M(UTSP)	1	397584707AT	
C6302	UTSP TYPE ELECTROLYTIC CAPACITOR	CE04W50V 47M(UTSP)	1	397584707AT	
C6303	UTSP TYPE ELECTROLYTIC CAPACITOR	CE04W50V 47M(UTSP)	1	397584707AT	
C6421	UTSP TYPE ELECTROLYTIC CAPACITOR	CE04W25V-220M(UTSP)	1	397552217T	
C6422	UTSP TYPE ELECTROLYTIC CAPACITOR	CE04W25V-220M(UTSP)	1	397552217T	
C6423	UTSP TYPE ELECTROLYTIC CAPACITOR	CE04W25V-220M(UTSP)	1	397552217T	
C7500	ELECTROLYTIC CAPACITOR	CE04W16V-10M(S)	1	353741009T	
C7502	ELECTROLYTIC CAPACITOR	CE04W16V-47M(S)	1	353744709T	
C7780	ELECTROLYTIC CAPACITOR	CE04W16V-10M(S)	1	353741009T	
C7850	ELECTROLYTIC CAPACITOR	CE04W35V-10M(S)	1	353761009T	
C7853	ELECTROLYTIC CAPACITOR	CE04W35V-47M	1	355764709T	
C7854	ELECTROLYTIC CAPACITOR	CE04W35V-47M	1	355764709T	
C7856	ELECTROLYTIC CAPACITOR	CE04W35V-10M(S)	1	353761009T	
C7900	ELECTROLYTIC CAPACITOR	CE04W50V-33M	1	355783309T	
C7901	ELECTROLYTIC CAPACITOR	CE04W50V-33M	1	355783309T	
C7902	ELECTROLYTIC CAPACITOR	CE04W50V-33M	1	355783309T	
C7905	ELECTROLYTIC CAPACITOR	CE04W35V-47M	1	355764709T	
C9001	IS TYPE CAPACITOR	LE104-MX-C3.5	1	3800049S	!
C9002	ELECTROLYTIC CAPACITOR	CE04W200V-100M(KXJ)	1	3500233S	
C9003	PW TYPE ELECTROLYTIC CAPACITOR	CE04W50V-10M(PW)	1	393781007T	
C9004	PW TYPE ELECTROLYTIC CAPACITOR	CE04W25V-1000M(PW)	1	393751027S	
C9006	PW TYPE ELECTROLYTIC CAPACITOR	CE04W25V-470M(PW)	1	393754717T	
C9010	IS TYPE CAPACITOR	DE1E3KX102MJ4BN01F	1	3300100S	!
C9012	IS TYPE CAPACITOR	LE103-C3.5	1	3800042S	!
C9012or	IS TYPE CAPACITOR	ECQU2A103MLC	(1)	3800039S	!
C9013	UTSP TYPE ELECTROLYTIC CAPACITOR	CE04W25V-220M(UTSP)	1	397552217T	N
C9018	IS TYPE CAPACITOR	LE104-MX-C3.5	1	3800049S	!
C9019	IS TYPE CAPACITOR	DE1E3KX102MJ4BN01F	1	3300100S	!
C9025	IS TYPE CAPACITOR	DE1E3KX102MJ4BN01F	1	3300100S	!
<b>[ Resistors ]</b>					
R5381	NON-FLAMMABLE CARBON FILM RESIST(R25J-220		1	415472214T	
R5382	NON-FLAMMABLE CARBON FILM RESIST(R25J-220		1	415472214T	
R5383	NON-FLAMMABLE CARBON FILM RESIST(R25J-220		1	415472214T	
R5401	NON-FLAMMABLE CARBON FILM RESIST(R25J-220		1	415472214T	
R5402	NON-FLAMMABLE CARBON FILM RESIST(R25J-220		1	415472214T	
R5403	NON-FLAMMABLE CARBON FILM RESIST(R25J-220		1	415472214T	
R5461	NON-FLAMMABLE CARBON FILM RESIST(R25J-39K		1	415473934T	

R5462	NON-FLAMMABLE CARBON FILM RESISTOR	R25J-39K	1	415473934T	
R5463	NON-FLAMMABLE CARBON FILM RESISTOR	R25J-39K	1	415473934T	
R5481	NON-FLAMMABLE CARBON FILM RESISTOR	R25J-39K	1	415473934T	
R5482	NON-FLAMMABLE CARBON FILM RESISTOR	R25J-39K	1	415473934T	
R5483	NON-FLAMMABLE CARBON FILM RESISTOR	R25J-39K	1	415473934T	
R5501	NON-FLAMMABLE CARBON FILM RESISTOR	R25J-10	1	415471004T	
R5502	NON-FLAMMABLE CARBON FILM RESISTOR	R25J-10	1	415471004T	
R5503	NON-FLAMMABLE CARBON FILM RESISTOR	R25J-10	1	415471004T	
R5521	NON-FLAMMABLE CARBON FILM RESISTOR	R25J-10	1	415471004T	
R5522	NON-FLAMMABLE CARBON FILM RESISTOR	R25J-10	1	415471004T	
R5523	NON-FLAMMABLE CARBON FILM RESISTOR	R25J-10	1	415471004T	
R5821	NON-FLAMMABLE CARBON FILM RESISTOR	R25J-2.2	1	415470224T	
R5822	NON-FLAMMABLE CARBON FILM RESISTOR	R25J-2.2	1	415470224T	
R5823	NON-FLAMMABLE CARBON FILM RESISTOR	R25J-2.2	1	415470224T	
R6301	NON-FLAMMABLE CARBON FILM RESISTOR	R25J-150	1	415471514T	
R6302	NON-FLAMMABLE CARBON FILM RESISTOR	R25J-150	1	415471514T	
R6303	NON-FLAMMABLE CARBON FILM RESISTOR	R25J-150	1	415471514T	
R6401	NON-FLAMMABLE CARBON FILM RESISTOR	R25J-56K	1	415475634T	
R6402	NON-FLAMMABLE CARBON FILM RESISTOR	R25J-56K	1	415475634T	
R6403	NON-FLAMMABLE CARBON FILM RESISTOR	R25J-56K	1	415475634T	
R7910	NON-FLAMMABLE CARBON FILM RESISTOR	R25J-10	1	415471004T	
R7914	NON-FLAMMABLE CARBON FILM RESISTOR	R25J-10	1	415471004T	
R9011	NON-FLAMMABLE CARBON FILM RESISTOR	R25J-22	1	415472204T	
<b>[ Switches, Terminals, Wires ]</b>					
F9001	FUSE	T1A-SEUL-T250V	1	252397T	!
P1	TERMINAL	NTM-1PDSC437	1	25060515	
P1921	PIN JACK	NPJ-1PDO554	1	25045772	
P2	TERMINAL	NTM-2PDML439	1	25060517	
P7800	ST JACK	MSJ-035-05A BAG SR LF	1	25045927	
P7850	ST JACK	MSJ-035-05C B AG SR type	1	25045879	
P7881	ST JACK	MSJ-064-05A SR	1	25045783	
RL9001	RELAY	NRL-1P10A-DC9-188	1	25065693	!
S7770	ROTARY ENCODER	XREB12504PVB30FINB1-2-24	1	25065729	
S7774	ROTARY ENCODER	XREB12505PVB30FINA1-2-12	1	25065746	



## BADIS-2015-1F

## &lt;Note&gt;

Parts marked by "NSP" are generally unavailable because they are not in our Master Spare Parts List.

## &lt;Notes&gt;

NSP

**NOTE : THE COMPONENTS IDENTIFIED BY THE MARK  
! ARE CRITICAL FOR RISK OF FIRE AND  
ELECTRIC SHOCK. REPLACE ONLY WITH  
PART**

REF. NO.	PART NAME	DESCRIPTION	Q'TY	PART NO. (SN)	REMARKS
<b>[ Semi-conductors ]</b>					
D7750B	LED	HLMP-Y601-J0000	1	225545	
D7751B	LED	HLMP-Y601-J0000	1	225545	
D7752B	LED	HLMP-Y601-J0000	1	225545	
D7753B	LED	HLMP-Y601-J0000	1	225545	
Q1922	PHOTO COUPLER	JSR1165-001recieving	1	24120143	
Q1923	PHOTO COUPLER	JSR1165-001recieving	1	24120143	
Q5101	TRANSISTOR	2SC2713-BL	1	2213136R2	
Q5102	TRANSISTOR	2SC2713-BL	1	2213136R2	
Q5103	TRANSISTOR	2SC2713-BL	1	2213136R2	
Q5121	TRANSISTOR	2SC2713-BL	1	2213136R2	
Q5122	TRANSISTOR	2SC2713-BL	1	2213136R2	
Q5123	TRANSISTOR	2SC2713-BL	1	2213136R2	
Q5221	TRANSISTOR	INC5001AP1-T111	1	2218100R2	
Q5221or	TRANSISTOR	2SC2881-Y	(1)	2217564AR2	
Q5222	TRANSISTOR	INC5001AP1-T111	1	2218100R2	
Q5222or	TRANSISTOR	2SC2881-Y	(1)	2217564AR2	
Q5223	TRANSISTOR	INC5001AP1-T111	1	2218100R2	
Q5223or	TRANSISTOR	2SC2881-Y	(1)	2217564AR2	
Q5381	TRANSISTOR	INA6006AP1-T111	1	2217980R2	
Q5381or	TRANSISTOR	2SA1200-Y(2LONK_ZE)	(1)	2217584R2	
Q5382	TRANSISTOR	INA6006AP1-T111	1	2217980R2	
Q5382or	TRANSISTOR	2SA1200-Y(2LONK_ZE)	(1)	2217584R2	
Q5383	TRANSISTOR	INA6006AP1-T111	1	2217980R2	
Q5383or	TRANSISTOR	2SA1200-Y(2LONK_ZE)	(1)	2217584R2	
Q5401	TRANSISTOR	INC6006AP1-T111	1	2217990R2	
Q5401or	TRANSISTOR	2SC2880-Y(2LONK_ZE)	(1)	2217594R2	
Q5402	TRANSISTOR	INC6006AP1-T111	1	2217990R2	
Q5402or	TRANSISTOR	2SC2880-Y(2LONK_ZE)	(1)	2217594R2	
Q5403	TRANSISTOR	INC6006AP1-T111	1	2217990R2	
Q5403or	TRANSISTOR	2SC2880-Y(2LONK_ZE)	(1)	2217594R2	
Q5621	TRANSISTOR	2SC2713-BL	1	2213136R2	
Q5622	TRANSISTOR	2SC2713-BL	1	2213136R2	
Q5623	TRANSISTOR	2SC2713-BL	1	2213136R2	
Q5641	TRANSISTOR	2SA1163-BL	1	2216756R2	
Q5642	TRANSISTOR	2SA1163-BL	1	2216756R2	
Q5643	TRANSISTOR	2SA1163-BL	1	2216756R2	
Q6101	TRANSISTOR	TTC004B_Q(S)	1	2218022	
Q6102	TRANSISTOR	TTC004B_Q(S)	1	2218022	
Q6103	TRANSISTOR	TTC004B_Q(S)	1	2218022	
Q6121	TRANSISTOR	TTA004B_Q(S)	1	2218012	
Q6122	TRANSISTOR	TTA004B_Q(S)	1	2218012	
Q6123	TRANSISTOR	TTA004B_Q(S)	1	2218012	
Q7780	REMOTE SENSOR	IRM-3638M3S28	1	24130026	
Q7905	FLUORESCENT TUBE	016MT097GINYK	1	212286A	
Q9001	HYBRID IC	STR-A6051M	1	222154	
Q9003	HYBRID IC	EL816MX	1	22242845	N
X1	CRYSTAL	HC-49S 9B12.000MHz	1	3010533	
<b>[ Transformers, Coils ]</b>					
L5	ANTENNA COIL	K7-D	1	232212	
L9001	CHOKE COIL	EM-UT2014-0033	1	231474	N

L9002	CHOKE COIL	RCR1010NP-100M	1	231449M100	
T9001	POWER TRANSFORMER	NPT-1632S	1	2302076	!
<b>[ Capacitors ]</b>					
C1901	UTSP TYPE ELECTROLYTIC CAPACITOR	CE04W25V-100M(UTSP)	1	397551017AT	
C1902	UTSP TYPE ELECTROLYTIC CAPACITOR	CE04W25V-100M(UTSP)	1	397551017AT	
C1903	UTSP TYPE ELECTROLYTIC CAPACITOR	CE04W25V-100M(UTSP)	1	397551017AT	
C1904	UTSP TYPE ELECTROLYTIC CAPACITOR	CE04W25V-100M(UTSP)	1	397551017AT	
C1924	UTSP TYPE ELECTROLYTIC CAPACITOR	CE04W10V-220M(UTSP)	1	397532217AT	
C5021	UTSP TYPE ELECTROLYTIC CAPACITOR	CE04W50V 47M(UTSP)	1	397584707AT	
C5022	UTSP TYPE ELECTROLYTIC CAPACITOR	CE04W50V 47M(UTSP)	1	397584707AT	
C5023	UTSP TYPE ELECTROLYTIC CAPACITOR	CE04W50V 47M(UTSP)	1	397584707AT	
C5081	UTSP TYPE ELECTROLYTIC CAPACITOR	CE04W50V-10M(UTSP)	1	397581007AT	
C5082	UTSP TYPE ELECTROLYTIC CAPACITOR	CE04W50V-10M(UTSP)	1	397581007AT	
C5083	UTSP TYPE ELECTROLYTIC CAPACITOR	CE04W50V-10M(UTSP)	1	397581007AT	
C5501	VR TYPE ELECTROLYTIC CAPACITOR	CE04W100V-22M(VR)	1	394692207T	
C5502	VR TYPE ELECTROLYTIC CAPACITOR	CE04W100V-22M(VR)	1	394692207T	
C5503	VR TYPE ELECTROLYTIC CAPACITOR	CE04W100V-22M(VR)	1	394692207T	
C5521	VR TYPE ELECTROLYTIC CAPACITOR	CE04W100V-22M(VR)	1	394692207T	
C5522	VR TYPE ELECTROLYTIC CAPACITOR	CE04W100V-22M(VR)	1	394692207T	
C5523	VR TYPE ELECTROLYTIC CAPACITOR	CE04W100V-22M(VR)	1	394692207T	
C5641	UTSP TYPE ELECTROLYTIC CAPACITOR	CE04W50V 47M(UTSP)	1	397584707AT	
C5642	UTSP TYPE ELECTROLYTIC CAPACITOR	CE04W50V 47M(UTSP)	1	397584707AT	
C5643	UTSP TYPE ELECTROLYTIC CAPACITOR	CE04W50V 47M(UTSP)	1	397584707AT	
C6301	UTSP TYPE ELECTROLYTIC CAPACITOR	CE04W50V 47M(UTSP)	1	397584707AT	
C6302	UTSP TYPE ELECTROLYTIC CAPACITOR	CE04W50V 47M(UTSP)	1	397584707AT	
C6303	UTSP TYPE ELECTROLYTIC CAPACITOR	CE04W50V 47M(UTSP)	1	397584707AT	
C6421	UTSP TYPE ELECTROLYTIC CAPACITOR	CE04W25V-220M(UTSP)	1	397552217T	
C6422	UTSP TYPE ELECTROLYTIC CAPACITOR	CE04W25V-220M(UTSP)	1	397552217T	
C6423	UTSP TYPE ELECTROLYTIC CAPACITOR	CE04W25V-220M(UTSP)	1	397552217T	
C7500	ELECTROLYTIC CAPACITOR	CE04W16V-10M(S)	1	353741009T	
C7502	ELECTROLYTIC CAPACITOR	CE04W16V-47M(S)	1	353744709T	
C7780	ELECTROLYTIC CAPACITOR	CE04W16V-10M(S)	1	353741009T	
C7850	ELECTROLYTIC CAPACITOR	CE04W35V-10M(S)	1	353761009T	
C7853	ELECTROLYTIC CAPACITOR	CE04W35V-47M	1	355764709T	
C7854	ELECTROLYTIC CAPACITOR	CE04W35V-47M	1	355764709T	
C7856	ELECTROLYTIC CAPACITOR	CE04W35V-10M(S)	1	353761009T	
C7900	ELECTROLYTIC CAPACITOR	CE04W50V-33M	1	355783309T	
C7901	ELECTROLYTIC CAPACITOR	CE04W50V-33M	1	355783309T	
C7902	ELECTROLYTIC CAPACITOR	CE04W50V-33M	1	355783309T	
C7905	ELECTROLYTIC CAPACITOR	CE04W35V-47M	1	355764709T	
C9001	IS TYPE CAPACITOR	LE104-MX-C3.5	1	3800049S	!
C9002	ELECTROLYTIC CAPACITOR	CE04W400V-47M(KXJ)	1	3500234S	
C9003	PW TYPE ELECTROLYTIC CAPACITOR	CE04W50V-10M(PW)	1	393781007T	
C9004	PW TYPE ELECTROLYTIC CAPACITOR	CE04W25V-1000M(PW)	1	393751027S	
C9006	PW TYPE ELECTROLYTIC CAPACITOR	CE04W25V-470M(PW)	1	393754717T	
C9010	IS TYPE CAPACITOR	DE1E3KX102MJ4BN01F	1	3300100S	!
C9012	IS TYPE CAPACITOR	LE103-C3.5	1	3800042S	!
C9012or	IS TYPE CAPACITOR	ECQU2A103MLC	(1)	3800039S	!
C9013	UTSP TYPE ELECTROLYTIC CAPACITOR	CE04W25V-220M(UTSP)	1	397552217T	N
C9018	IS TYPE CAPACITOR	LE104-MX-C3.5	1	3800049S	!
C9019	IS TYPE CAPACITOR	DE1E3KX102MJ4BN01F	1	3300100S	!
C9025	IS TYPE CAPACITOR	DE1E3KX102MJ4BN01F	1	3300100S	!
<b>[ Resistors ]</b>					
R5381	NON-FLAMMABLE CARBON FILM RESISTOR	R25J-220	1	415472214T	
R5382	NON-FLAMMABLE CARBON FILM RESISTOR	R25J-220	1	415472214T	
R5383	NON-FLAMMABLE CARBON FILM RESISTOR	R25J-220	1	415472214T	
R5401	NON-FLAMMABLE CARBON FILM RESISTOR	R25J-220	1	415472214T	
R5402	NON-FLAMMABLE CARBON FILM RESISTOR	R25J-220	1	415472214T	
R5403	NON-FLAMMABLE CARBON FILM RESISTOR	R25J-220	1	415472214T	
R5461	NON-FLAMMABLE CARBON FILM RESISTOR	R25J-39K	1	415473934T	
R5462	NON-FLAMMABLE CARBON FILM RESISTOR	R25J-39K	1	415473934T	

R5463	NON-FLAMMABLE CARBON FILM RESISTOR	R25J-39K	1	415473934T	
R5481	NON-FLAMMABLE CARBON FILM RESISTOR	R25J-39K	1	415473934T	
R5482	NON-FLAMMABLE CARBON FILM RESISTOR	R25J-39K	1	415473934T	
R5483	NON-FLAMMABLE CARBON FILM RESISTOR	R25J-39K	1	415473934T	
R5501	NON-FLAMMABLE CARBON FILM RESISTOR	R25J-10	1	415471004T	
R5502	NON-FLAMMABLE CARBON FILM RESISTOR	R25J-10	1	415471004T	
R5503	NON-FLAMMABLE CARBON FILM RESISTOR	R25J-10	1	415471004T	
R5521	NON-FLAMMABLE CARBON FILM RESISTOR	R25J-10	1	415471004T	
R5522	NON-FLAMMABLE CARBON FILM RESISTOR	R25J-10	1	415471004T	
R5523	NON-FLAMMABLE CARBON FILM RESISTOR	R25J-10	1	415471004T	
R5821	NON-FLAMMABLE CARBON FILM RESISTOR	R25J-2.2	1	415470224T	
R5822	NON-FLAMMABLE CARBON FILM RESISTOR	R25J-2.2	1	415470224T	
R5823	NON-FLAMMABLE CARBON FILM RESISTOR	R25J-2.2	1	415470224T	
R6301	NON-FLAMMABLE CARBON FILM RESISTOR	R25J-150	1	415471514T	
R6302	NON-FLAMMABLE CARBON FILM RESISTOR	R25J-150	1	415471514T	
R6303	NON-FLAMMABLE CARBON FILM RESISTOR	R25J-150	1	415471514T	
R6401	NON-FLAMMABLE CARBON FILM RESISTOR	R25J-56K	1	415475634T	
R6402	NON-FLAMMABLE CARBON FILM RESISTOR	R25J-56K	1	415475634T	
R6403	NON-FLAMMABLE CARBON FILM RESISTOR	R25J-56K	1	415475634T	
R7910	NON-FLAMMABLE CARBON FILM RESISTOR	R25J-10	1	415471004T	
R7914	NON-FLAMMABLE CARBON FILM RESISTOR	R25J-10	1	415471004T	
<b>[ Switches, Terminals, Wires ]</b>					
F9001	FUSE	T1A-SEUL-T250V	1	252397T	!
P1	TERMINAL	NTM-1PDSC438	1	25060516	
P1921	PIN JACK	NPJ-1PDO554	1	25045772	
P2	TERMINAL	NTM-2PDML439	1	25060517	
P7800	ST JACK	MSJ-035-05A BAG SR LF	1	25045927	
P7850	ST JACK	MSJ-035-05C B AG SR type	1	25045879	
P7881	ST JACK	MSJ-064-05A SR	1	25045783	
RL9001	RELAY	NRL-1P10A-DC9-188	1	25065693	!
S7770	ROTARY ENCODER	XREB12504PVB30FINB1-2-24	1	25065729	
S7774	ROTARY ENCODER	XREB12505PVB30FINA1-2-12	1	25065746	

## BADIS-2015-1G

## &lt;Note&gt;

Parts marked by "NSP" are generally unavailable because they are not in our Master Spare Parts List.

## &lt;Notes&gt;

NSP

**NOTE : THE COMPONENTS IDENTIFIED BY THE MARK ! ARE CRITICAL FOR RISK OF FIRE AND ELECTRIC SHOCK. REPLACE ONLY WITH PART**

REF. NO.	PART NAME	DESCRIPTION	Q'TY	PART NO. (SN)	REMARKS
<b>[ Semi-conductors ]</b>					
D7750B	LED	SCB3318E-D2	1	225487	
D7751B	LED	SCB3318E-D2	1	225487	
D7752B	LED	SCB3318E-D2	1	225487	
D7753B	LED	SCB3318E-D2	1	225487	
Q1922	PHOTO COUPLER	JSR1165-001recieving	1	24120143	
Q1923	PHOTO COUPLER	JSR1165-001recieving	1	24120143	
Q5101	TRANSISTOR	2SC2713-BL	1	2213136R2	
Q5102	TRANSISTOR	2SC2713-BL	1	2213136R2	
Q5103	TRANSISTOR	2SC2713-BL	1	2213136R2	
Q5121	TRANSISTOR	2SC2713-BL	1	2213136R2	
Q5122	TRANSISTOR	2SC2713-BL	1	2213136R2	
Q5123	TRANSISTOR	2SC2713-BL	1	2213136R2	
Q5221	TRANSISTOR	INC5001AP1-T111	1	2218100R2	
Q5221or	TRANSISTOR	2SC2881-Y	(1)	2217564AR2	
Q5222	TRANSISTOR	INC5001AP1-T111	1	2218100R2	
Q5222or	TRANSISTOR	2SC2881-Y	(1)	2217564AR2	
Q5223	TRANSISTOR	INC5001AP1-T111	1	2218100R2	
Q5223or	TRANSISTOR	2SC2881-Y	(1)	2217564AR2	
Q5381	TRANSISTOR	INA6006AP1-T111	1	2217980R2	
Q5381or	TRANSISTOR	2SA1200-Y(2LONK_ZE)	(1)	2217584R2	
Q5382	TRANSISTOR	INA6006AP1-T111	1	2217980R2	
Q5382or	TRANSISTOR	2SA1200-Y(2LONK_ZE)	(1)	2217584R2	
Q5383	TRANSISTOR	INA6006AP1-T111	1	2217980R2	
Q5383or	TRANSISTOR	2SA1200-Y(2LONK_ZE)	(1)	2217584R2	
Q5401	TRANSISTOR	INC6006AP1-T111	1	2217990R2	
Q5401or	TRANSISTOR	2SC2880-Y(2LONK_ZE)	(1)	2217594R2	
Q5402	TRANSISTOR	INC6006AP1-T111	1	2217990R2	
Q5402or	TRANSISTOR	2SC2880-Y(2LONK_ZE)	(1)	2217594R2	
Q5403	TRANSISTOR	INC6006AP1-T111	1	2217990R2	
Q5403or	TRANSISTOR	2SC2880-Y(2LONK_ZE)	(1)	2217594R2	
Q5621	TRANSISTOR	2SC2713-BL	1	2213136R2	
Q5622	TRANSISTOR	2SC2713-BL	1	2213136R2	
Q5623	TRANSISTOR	2SC2713-BL	1	2213136R2	
Q5641	TRANSISTOR	2SA1163-BL	1	2216756R2	
Q5642	TRANSISTOR	2SA1163-BL	1	2216756R2	
Q5643	TRANSISTOR	2SA1163-BL	1	2216756R2	
Q6101	TRANSISTOR	TTC004B_Q(S)	1	2218022	
Q6102	TRANSISTOR	TTC004B_Q(S)	1	2218022	
Q6103	TRANSISTOR	TTC004B_Q(S)	1	2218022	
Q6121	TRANSISTOR	TTA004B_Q(S)	1	2218012	
Q6122	TRANSISTOR	TTA004B_Q(S)	1	2218012	
Q6123	TRANSISTOR	TTA004B_Q(S)	1	2218012	
Q7780	REMOTE SENSOR	IRM-3638M3S28	1	24130026	
Q7905	FLUORESCENT TUBE	016MT097GINYK	1	212286A	
Q9001	HYBRID IC	STR-A6051M	1	222154	
Q9003	HYBRID IC	EL816MX	1	22242845	N
X1	CRYSTAL	HC-49S 9B12.000MHz	1	3010533	
<b>[ Transformers, Coils ]</b>					
L5	ANTENNA COIL	K7-D	1	232212	
L9001	CHOKO COIL	EM-UT2014-0033	1	231474	N

L9002	CHOKE COIL	RCR1010NP-100M	1	231449M100	
T9001	POWER TRANSFORMER	NPT-1632S	1	2302076	!
T9001or	POWER TRANSFORMER	NPT-1633S	(1)	2302077	!
<b>[ Capacitors ]</b>					
C1901	UTSP TYPE ELECTROLYTIC CAPACITOR	CE04W25V-100M(UTSP)	1	397551017AT	
C1902	UTSP TYPE ELECTROLYTIC CAPACITOR	CE04W25V-100M(UTSP)	1	397551017AT	
C1903	UTSP TYPE ELECTROLYTIC CAPACITOR	CE04W25V-100M(UTSP)	1	397551017AT	
C1904	UTSP TYPE ELECTROLYTIC CAPACITOR	CE04W25V-100M(UTSP)	1	397551017AT	
C1924	UTSP TYPE ELECTROLYTIC CAPACITOR	CE04W10V-220M(UTSP)	1	397532217AT	
C5021	UTSP TYPE ELECTROLYTIC CAPACITOR	CE04W50V 47M(UTSP)	1	397584707AT	
C5022	UTSP TYPE ELECTROLYTIC CAPACITOR	CE04W50V 47M(UTSP)	1	397584707AT	
C5023	UTSP TYPE ELECTROLYTIC CAPACITOR	CE04W50V 47M(UTSP)	1	397584707AT	
C5081	UTSP TYPE ELECTROLYTIC CAPACITOR	CE04W50V-10M(UTSP)	1	397581007AT	
C5082	UTSP TYPE ELECTROLYTIC CAPACITOR	CE04W50V-10M(UTSP)	1	397581007AT	
C5083	UTSP TYPE ELECTROLYTIC CAPACITOR	CE04W50V-10M(UTSP)	1	397581007AT	
C5501	VR TYPE ELECTROLYTIC CAPACITOR	CE04W100V-22M(VR)	1	394692207T	
C5502	VR TYPE ELECTROLYTIC CAPACITOR	CE04W100V-22M(VR)	1	394692207T	
C5503	VR TYPE ELECTROLYTIC CAPACITOR	CE04W100V-22M(VR)	1	394692207T	
C5521	VR TYPE ELECTROLYTIC CAPACITOR	CE04W100V-22M(VR)	1	394692207T	
C5522	VR TYPE ELECTROLYTIC CAPACITOR	CE04W100V-22M(VR)	1	394692207T	
C5523	VR TYPE ELECTROLYTIC CAPACITOR	CE04W100V-22M(VR)	1	394692207T	
C5641	UTSP TYPE ELECTROLYTIC CAPACITOR	CE04W50V 47M(UTSP)	1	397584707AT	
C5642	UTSP TYPE ELECTROLYTIC CAPACITOR	CE04W50V 47M(UTSP)	1	397584707AT	
C5643	UTSP TYPE ELECTROLYTIC CAPACITOR	CE04W50V 47M(UTSP)	1	397584707AT	
C6301	UTSP TYPE ELECTROLYTIC CAPACITOR	CE04W50V 47M(UTSP)	1	397584707AT	
C6302	UTSP TYPE ELECTROLYTIC CAPACITOR	CE04W50V 47M(UTSP)	1	397584707AT	
C6303	UTSP TYPE ELECTROLYTIC CAPACITOR	CE04W50V 47M(UTSP)	1	397584707AT	
C6421	UTSP TYPE ELECTROLYTIC CAPACITOR	CE04W25V-220M(UTSP)	1	397552217T	
C6422	UTSP TYPE ELECTROLYTIC CAPACITOR	CE04W25V-220M(UTSP)	1	397552217T	
C6423	UTSP TYPE ELECTROLYTIC CAPACITOR	CE04W25V-220M(UTSP)	1	397552217T	
C7500	ELECTROLYTIC CAPACITOR	CE04W16V-10M(S)	1	353741009T	
C7502	ELECTROLYTIC CAPACITOR	CE04W16V-47M(S)	1	353744709T	
C7780	ELECTROLYTIC CAPACITOR	CE04W16V-10M(S)	1	353741009T	
C7850	ELECTROLYTIC CAPACITOR	CE04W35V-10M(S)	1	353761009T	
C7853	ELECTROLYTIC CAPACITOR	CE04W35V-47M	1	355764709T	
C7854	ELECTROLYTIC CAPACITOR	CE04W35V-47M	1	355764709T	
C7856	ELECTROLYTIC CAPACITOR	CE04W35V-10M(S)	1	353761009T	
C7900	ELECTROLYTIC CAPACITOR	CE04W50V-33M	1	355783309T	
C7901	ELECTROLYTIC CAPACITOR	CE04W50V-33M	1	355783309T	
C7902	ELECTROLYTIC CAPACITOR	CE04W50V-33M	1	355783309T	
C7905	ELECTROLYTIC CAPACITOR	CE04W35V-47M	1	355764709T	
C9001	IS TYPE CAPACITOR	LE104-MX-C3.5	1	3800049S	!
C9002	ELECTROLYTIC CAPACITOR	CE04W200V-100M(KXJ)	1	3500233S	
C9003	PW TYPE ELECTROLYTIC CAPACITOR	CE04W50V-10M(PW)	1	393781007T	
C9004	PW TYPE ELECTROLYTIC CAPACITOR	CE04W25V-1000M(PW)	1	393751027S	
C9006	PW TYPE ELECTROLYTIC CAPACITOR	CE04W25V-470M(PW)	1	393754717T	
C9010	IS TYPE CAPACITOR	DE1E3KX102MJ4BN01F	1	3300100S	!
C9012	IS TYPE CAPACITOR	LE103-C3.5	1	3800042S	!
C9012or	IS TYPE CAPACITOR	ECQU2A103MLC	(1)	3800039S	!
C9013	UTSP TYPE ELECTROLYTIC CAPACITOR	CE04W25V-220M(UTSP)	1	397552217T	N
C9018	IS TYPE CAPACITOR	LE104-MX-C3.5	1	3800049S	!
C9019	IS TYPE CAPACITOR	DE1E3KX102MJ4BN01F	1	3300100S	!
C9025	IS TYPE CAPACITOR	DE1E3KX102MJ4BN01F	1	3300100S	!
<b>[ Resistors ]</b>					
R5381	NON-FLAMMABLE CARBON FILM RESIST(R25J-220		1	415472214T	
R5382	NON-FLAMMABLE CARBON FILM RESIST(R25J-220		1	415472214T	
R5383	NON-FLAMMABLE CARBON FILM RESIST(R25J-220		1	415472214T	
R5401	NON-FLAMMABLE CARBON FILM RESIST(R25J-220		1	415472214T	
R5402	NON-FLAMMABLE CARBON FILM RESIST(R25J-220		1	415472214T	
R5403	NON-FLAMMABLE CARBON FILM RESIST(R25J-220		1	415472214T	
R5461	NON-FLAMMABLE CARBON FILM RESIST(R25J-39K		1	415473934T	

R5462	NON-FLAMMABLE CARBON FILM RESISTOR	R25J-39K	1	415473934T	
R5463	NON-FLAMMABLE CARBON FILM RESISTOR	R25J-39K	1	415473934T	
R5481	NON-FLAMMABLE CARBON FILM RESISTOR	R25J-39K	1	415473934T	
R5482	NON-FLAMMABLE CARBON FILM RESISTOR	R25J-39K	1	415473934T	
R5483	NON-FLAMMABLE CARBON FILM RESISTOR	R25J-39K	1	415473934T	
R5501	NON-FLAMMABLE CARBON FILM RESISTOR	R25J-10	1	415471004T	
R5502	NON-FLAMMABLE CARBON FILM RESISTOR	R25J-10	1	415471004T	
R5503	NON-FLAMMABLE CARBON FILM RESISTOR	R25J-10	1	415471004T	
R5521	NON-FLAMMABLE CARBON FILM RESISTOR	R25J-10	1	415471004T	
R5522	NON-FLAMMABLE CARBON FILM RESISTOR	R25J-10	1	415471004T	
R5523	NON-FLAMMABLE CARBON FILM RESISTOR	R25J-10	1	415471004T	
R5821	NON-FLAMMABLE CARBON FILM RESISTOR	R25J-2.2	1	415470224T	
R5822	NON-FLAMMABLE CARBON FILM RESISTOR	R25J-2.2	1	415470224T	
R5823	NON-FLAMMABLE CARBON FILM RESISTOR	R25J-2.2	1	415470224T	
R6301	NON-FLAMMABLE CARBON FILM RESISTOR	R25J-150	1	415471514T	
R6302	NON-FLAMMABLE CARBON FILM RESISTOR	R25J-150	1	415471514T	
R6303	NON-FLAMMABLE CARBON FILM RESISTOR	R25J-150	1	415471514T	
R6401	NON-FLAMMABLE CARBON FILM RESISTOR	R25J-56K	1	415475634T	
R6402	NON-FLAMMABLE CARBON FILM RESISTOR	R25J-56K	1	415475634T	
R6403	NON-FLAMMABLE CARBON FILM RESISTOR	R25J-56K	1	415475634T	
R7910	NON-FLAMMABLE CARBON FILM RESISTOR	R25J-10	1	415471004T	
R7914	NON-FLAMMABLE CARBON FILM RESISTOR	R25J-10	1	415471004T	
R9011	NON-FLAMMABLE CARBON FILM RESISTOR	R25J-22	1	415472204T	
<b>[ Switches, Terminals, Wires ]</b>					
F9001	FUSE	T1A-SEUL-T250V	1	252397T	!
P1	TERMINAL	NTM-1PDSC437	1	25060515	
P1921	PIN JACK	NPJ-1PDO554	1	25045772	
P2	TERMINAL	NTM-2PDML439	1	25060517	
P7800	ST JACK	MSJ-035-05A BAG GR LF	1	25045928	
P7850	ST JACK	MSJ-035-05C B AG GR type	1	25045880	
P7881	ST JACK	MSJ-064-05A GR	1	25045782	
RL9001	RELAY	NRL-1P10A-DC9-188	1	25065693	!
S7770	ROTARY ENCODER	XREB12504PVB30FINB1-2-24	1	25065729	
S7774	ROTARY ENCODER	XREB12505PVB30FINA1-2-12	1	25065746	



**BATRM-2023-1AE****<Note>**

Parts marked by "NSP" are generally unavailable because they are not in our Master Spare Parts List.

**<Notes>**

NSP

**NOTE : THE COMPONENTS IDENTIFIED BY THE MARK  
! ARE CRITICAL FOR RISK OF FIRE AND  
ELECTRIC SHOCK. REPLACE ONLY WITH  
PART**

REF. NO.	PART NAME	DESCRIPTION	Q'TY	PART NO. (SN)	REMARKS
<b>[ Semi-conductors ]</b>					
D2000	DIODE	G10XB80-02-54A-T	1	22380378	
<b>[ Capacitors ]</b>					
C2001	JAMICON TYPE ELECTROLYTIC CAPACIT	CE04W50V-4.7M	1	398580477T	
C2001or	VR TYPE ELECTROLYTIC CAPACITOR	CE04W50V-4.7M(VR)	(1)	394680477T	
C2002	ELECTROLYTIC CAPACITOR	CE69W25V-10000M	1	3504512	
C2002or	ELECTROLYTIC CAPACITOR	CE69W25V-10000M	(1)	3504502	
C2102	JAMICON TYPE ELECTROLYTIC CAPACIT	CE04W50V-2.2M	1	398580227T	
C2102or	VR TYPE ELECTROLYTIC CAPACITOR	CE04W50V-2.2M(VR)	(1)	394680227T	
C2103	JAMICON TYPE ELECTROLYTIC CAPACIT	CE04W50V-2.2M	1	398580227T	
C2103or	VR TYPE ELECTROLYTIC CAPACITOR	CE04W50V-2.2M(VR)	(1)	394680227T	
C2104	JAMICON TYPE ELECTROLYTIC CAPACIT	CE04W50V-2.2M	1	398580227T	
C2104or	VR TYPE ELECTROLYTIC CAPACITOR	CE04W50V-2.2M(VR)	(1)	394680227T	
C2105	JAMICON TYPE ELECTROLYTIC CAPACIT	CE04W50V-2.2M	1	398580227T	
C2105or	VR TYPE ELECTROLYTIC CAPACITOR	CE04W50V-2.2M(VR)	(1)	394680227T	
C2106	JAMICON TYPE ELECTROLYTIC CAPACIT	CE04W50V-2.2M	1	398580227T	
C2106or	VR TYPE ELECTROLYTIC CAPACITOR	CE04W50V-2.2M(VR)	(1)	394680227T	
C2114	UTSP TYPE ELECTROLYTIC CAPACITOR	CE04W10V-220M(UTSP)	1	397532217AT	
<b>[ Switches, Terminals, Wires ]</b>					
F2000	FUSE	T6.3A-SEUL-T250V	1	252399T	!
P2100	PIN JACK	NPJ-2PDY748	1	25046003	
P2102	PIN JACK	NPJ-3PDGLR767	1	25046030	
P6501	TERMINAL	NTM-6PDMCR456	1	25060535	
P6505	TERMINAL	NTM-4PDMNRR414	1	25060486	
P6507	TERMINAL	NTM-4PDMNRR414	1	25060486	
P6509	TERMINAL	NTM-4PDMNRR414	1	25060486	
RL6501	RELAY	NRL-2P5A-DC24-129	1	25065563A	
RL6501or	RELAY	NRL-2P5A-DC24-193	(1)	25065703	
RL6503	RELAY	NRL-2P5A-DC24-129	1	25065563A	
RL6503or	RELAY	NRL-2P5A-DC24-193	(1)	25065703	
RL6505	RELAY	NRL-2P5A-DC24-129	1	25065563A	
RL6505or	RELAY	NRL-2P5A-DC24-193	(1)	25065703	
RL6507	RELAY	NRL-2P5A-DC24-129	1	25065563A	
RL6507or	RELAY	NRL-2P5A-DC24-193	(1)	25065703	
RL6509	RELAY	NRL-2P5A-DC24-129	1	25065563A	
RL6509or	RELAY	NRL-2P5A-DC24-193	(1)	25065703	

**BATRM-2023-1AF****<Note>**

Parts marked by "NSP" are generally unavailable because they are not in our Master Spare Parts List.

**<Notes>**

NSP

**NOTE : THE COMPONENTS IDENTIFIED BY THE MARK ! ARE CRITICAL FOR RISK OF FIRE AND ELECTRIC SHOCK. REPLACE ONLY WITH PART**

REF. NO.	PART NAME	DESCRIPTION	Q'TY	PART NO. (SN)	REMARKS
<b>[ Semi-conductors ]</b>					
D2000	DIODE	G10XB80-02-54A-T	1	22380378	
<b>[ Capacitors ]</b>					
C2001	JAMICON TYPE ELECTROLYTIC CAPACIT	CE04W50V-4.7M	1	398580477T	
C2001or	VR TYPE ELECTROLYTIC CAPACITOR	CE04W50V-4.7M(VR)	(1)	394680477T	
C2002	ELECTROLYTIC CAPACITOR	CE69W25V-10000M	1	3504512	
C2002or	ELECTROLYTIC CAPACITOR	CE69W25V-10000M	(1)	3504502	
C2102	JAMICON TYPE ELECTROLYTIC CAPACIT	CE04W50V-2.2M	1	398580227T	
C2102or	VR TYPE ELECTROLYTIC CAPACITOR	CE04W50V-2.2M(VR)	(1)	394680227T	
C2103	JAMICON TYPE ELECTROLYTIC CAPACIT	CE04W50V-2.2M	1	398580227T	
C2103or	VR TYPE ELECTROLYTIC CAPACITOR	CE04W50V-2.2M(VR)	(1)	394680227T	
C2104	JAMICON TYPE ELECTROLYTIC CAPACIT	CE04W50V-2.2M	1	398580227T	
C2104or	VR TYPE ELECTROLYTIC CAPACITOR	CE04W50V-2.2M(VR)	(1)	394680227T	
C2105	JAMICON TYPE ELECTROLYTIC CAPACIT	CE04W50V-2.2M	1	398580227T	
C2105or	VR TYPE ELECTROLYTIC CAPACITOR	CE04W50V-2.2M(VR)	(1)	394680227T	
C2106	JAMICON TYPE ELECTROLYTIC CAPACIT	CE04W50V-2.2M	1	398580227T	
C2106or	VR TYPE ELECTROLYTIC CAPACITOR	CE04W50V-2.2M(VR)	(1)	394680227T	
C2114	UTSP TYPE ELECTROLYTIC CAPACITOR	CE04W10V-220M(UTSP)	1	397532217AT	
<b>[ Switches, Terminals, Wires ]</b>					
F2000	FUSE	T6.3A-SEUL-T250V	1	252399T	!
P2100	PIN JACK	NPJ-2PDY748	1	25046003	
P2102	PIN JACK	NPJ-3PDGLR767	1	25046030	
P6501	TERMINAL	NTM-6PDMCR456	1	25060535	
P6505	TERMINAL	NTM-4PDMNRR414	1	25060486	
P6507	TERMINAL	NTM-4PDMNRR414	1	25060486	
P6509	TERMINAL	NTM-4PDMNRR414	1	25060486	
RL6501	RELAY	NRL-2P5A-DC24-129	1	25065563A	
RL6501or	RELAY	NRL-2P5A-DC24-193	(1)	25065703	
RL6503	RELAY	NRL-2P5A-DC24-129	1	25065563A	
RL6503or	RELAY	NRL-2P5A-DC24-193	(1)	25065703	
RL6505	RELAY	NRL-2P5A-DC24-129	1	25065563A	
RL6505or	RELAY	NRL-2P5A-DC24-193	(1)	25065703	
RL6507	RELAY	NRL-2P5A-DC24-129	1	25065563A	
RL6507or	RELAY	NRL-2P5A-DC24-193	(1)	25065703	
RL6509	RELAY	NRL-2P5A-DC24-129	1	25065563A	
RL6509or	RELAY	NRL-2P5A-DC24-193	(1)	25065703	



**BATRM-2023-1AG****<Note>**

Parts marked by "NSP" are generally unavailable because they are not in our Master Spare Parts List.

**<Notes>**

: NSP

**NOTE : THE COMPONENTS IDENTIFIED BY THE MARK  
! ARE CRITICAL FOR RISK OF FIRE AND  
ELECTRIC SHOCK. REPLACE ONLY WITH  
PART**

REF. NO.	PART NAME	DESCRIPTION	Q'TY	PART NO. (SN)	REMARKS
<b>[ Semi-conductors ]</b>					
D2000	DIODE	G10XB80-02-54A-T	1	22380378	
<b>[ Capacitors ]</b>					
C2001	JAMICON TYPE ELECTROLYTIC CAPACIT	CE04W50V-4.7M	1	398580477T	
C2001or	VR TYPE ELECTROLYTIC CAPACITOR	CE04W50V-4.7M(VR)	(1)	394680477T	
C2002	ELECTROLYTIC CAPACITOR	CE69W25V-10000M	1	3504512	
C2002or	ELECTROLYTIC CAPACITOR	CE69W25V-10000M	(1)	3504502	
C2102	JAMICON TYPE ELECTROLYTIC CAPACIT	CE04W50V-2.2M	1	398580227T	
C2102or	VR TYPE ELECTROLYTIC CAPACITOR	CE04W50V-2.2M(VR)	(1)	394680227T	
C2103	JAMICON TYPE ELECTROLYTIC CAPACIT	CE04W50V-2.2M	1	398580227T	
C2103or	VR TYPE ELECTROLYTIC CAPACITOR	CE04W50V-2.2M(VR)	(1)	394680227T	
C2104	JAMICON TYPE ELECTROLYTIC CAPACIT	CE04W50V-2.2M	1	398580227T	
C2104or	VR TYPE ELECTROLYTIC CAPACITOR	CE04W50V-2.2M(VR)	(1)	394680227T	
C2105	JAMICON TYPE ELECTROLYTIC CAPACIT	CE04W50V-2.2M	1	398580227T	
C2105or	VR TYPE ELECTROLYTIC CAPACITOR	CE04W50V-2.2M(VR)	(1)	394680227T	
C2106	JAMICON TYPE ELECTROLYTIC CAPACIT	CE04W50V-2.2M	1	398580227T	
C2106or	VR TYPE ELECTROLYTIC CAPACITOR	CE04W50V-2.2M(VR)	(1)	394680227T	
C2114	UTSP TYPE ELECTROLYTIC CAPACITOR	CE04W10V-220M(UTSP)	1	397532217AT	
<b>[ Switches, Terminals, Wires ]</b>					
F2000	FUSE	T6.3A-SEUL-T250V	1	252399T	!
P2100	PIN JACK	NPJ-2PDY748	1	25046003	
P2102	PIN JACK	NPJ-3PDGLR767	1	25046030	
P2300	ST JACK	MSJ-035-52E-B-AG-PBT	1	25045947	
P2302	ST JACK	MSJ-035-52E-B-AG-PBT	1	25045947	
P6501	TERMINAL	NTM-6PDMCR456	1	25060535	
P6505	TERMINAL	NTM-4PDMNRR414	1	25060486	
P6507	TERMINAL	NTM-4PDMNRR414	1	25060486	
P6509	TERMINAL	NTM-4PDMNRR414	1	25060486	
RL6501	RELAY	NRL-2P5A-DC24-129	1	25065563A	
RL6501or	RELAY	NRL-2P5A-DC24-193	(1)	25065703	
RL6503	RELAY	NRL-2P5A-DC24-129	1	25065563A	
RL6503or	RELAY	NRL-2P5A-DC24-193	(1)	25065703	
RL6505	RELAY	NRL-2P5A-DC24-129	1	25065563A	
RL6505or	RELAY	NRL-2P5A-DC24-193	(1)	25065703	
RL6507	RELAY	NRL-2P5A-DC24-129	1	25065563A	
RL6507or	RELAY	NRL-2P5A-DC24-193	(1)	25065703	
RL6509	RELAY	NRL-2P5A-DC24-129	1	25065563A	
RL6509or	RELAY	NRL-2P5A-DC24-193	(1)	25065703	