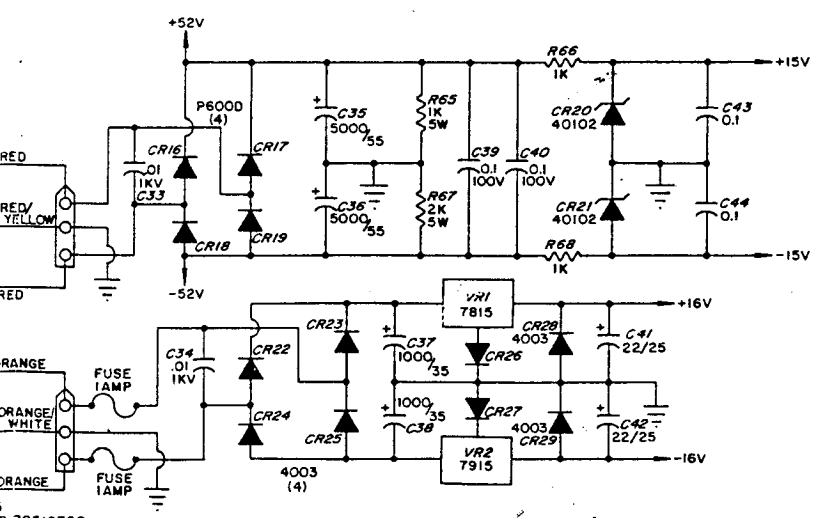
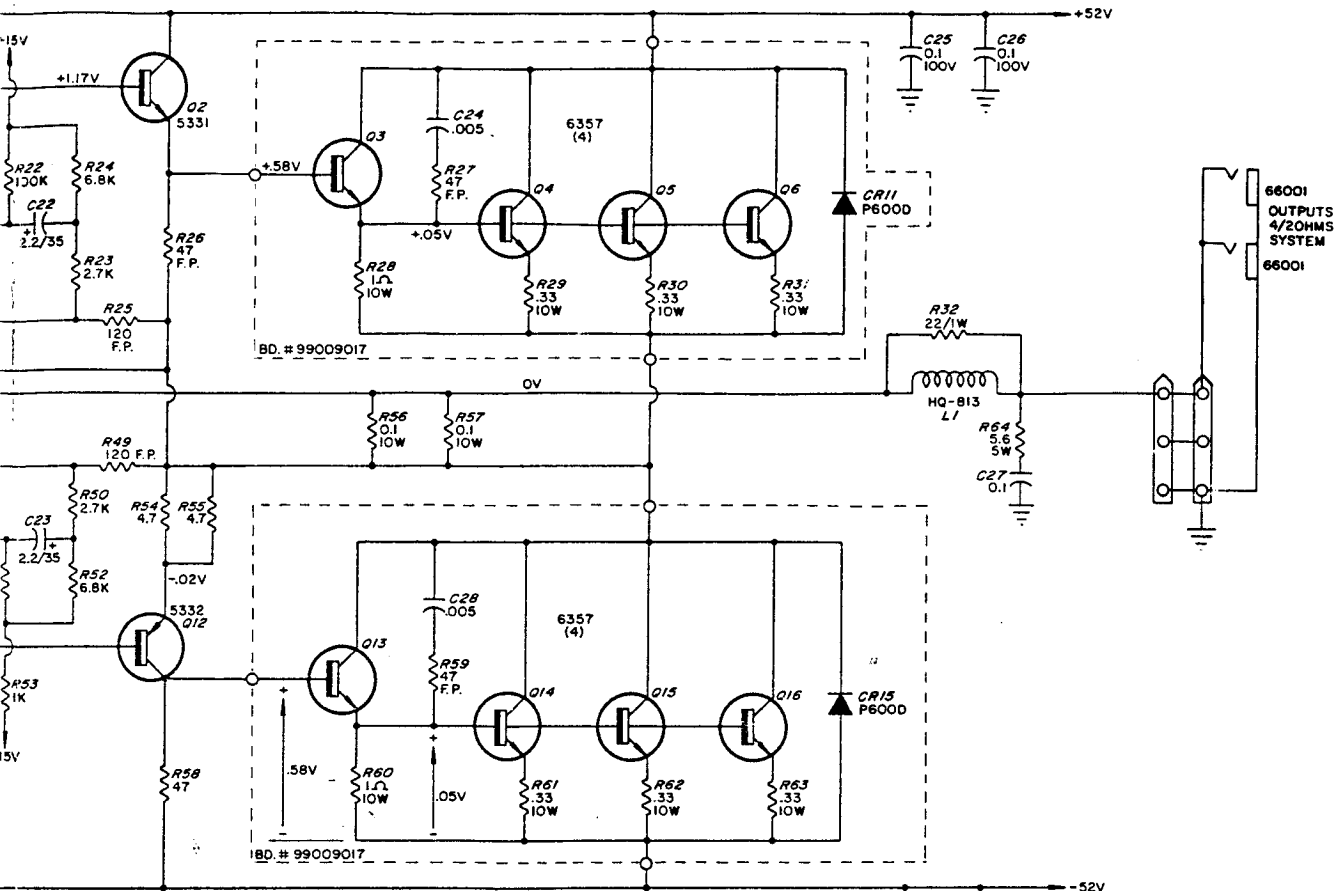


400BH MODULE
 BD.# 99009018
 (11/24/80)

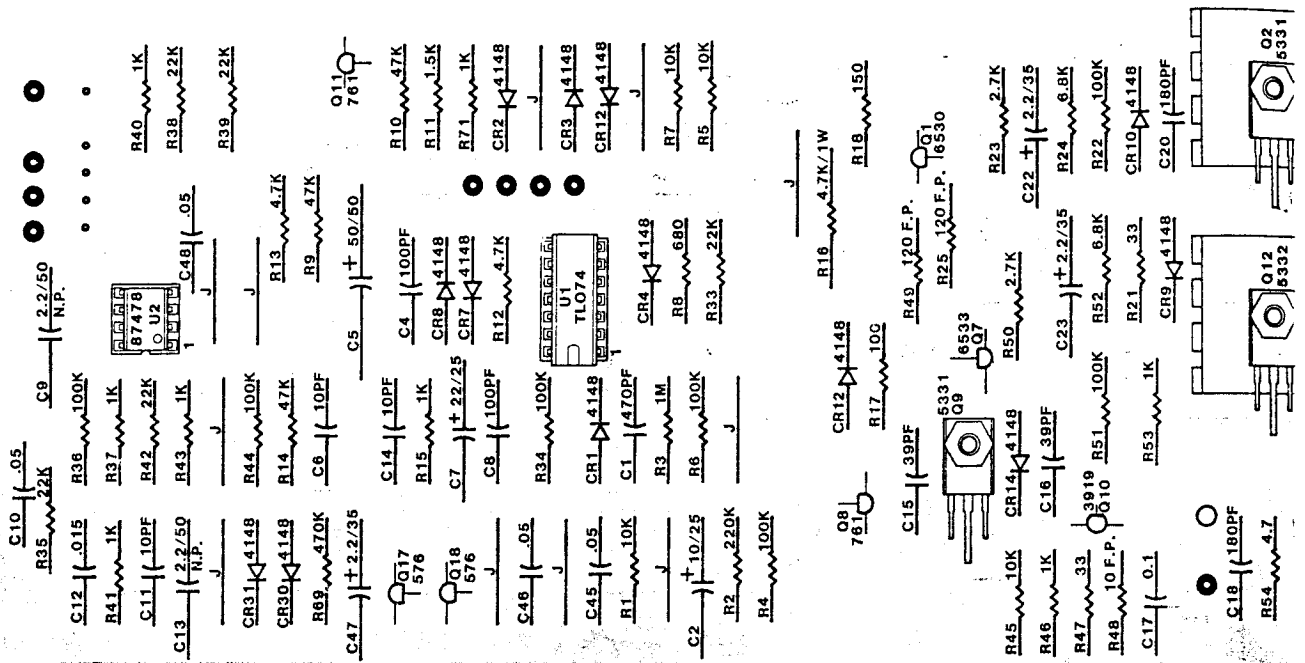


NOTES
 ALL RESISTORS 1/4W UNLESS NOTED
 ALL RESISTORS IN OHMS UNLESS NOTED
 ALL CAPACITORS IN MFD UNLESS NOTED
 ALL DIODES IN4148 UNLESS NOTED
 LAST REF. DESIGNATOR USED:
 R69 C48 CR31 Q13 U2 VR2
 VOLTAGES MAY VARY FROM UNIT TO UNIT
 CIRCUITRY PATENTS APPLIED FOR AND PENDING

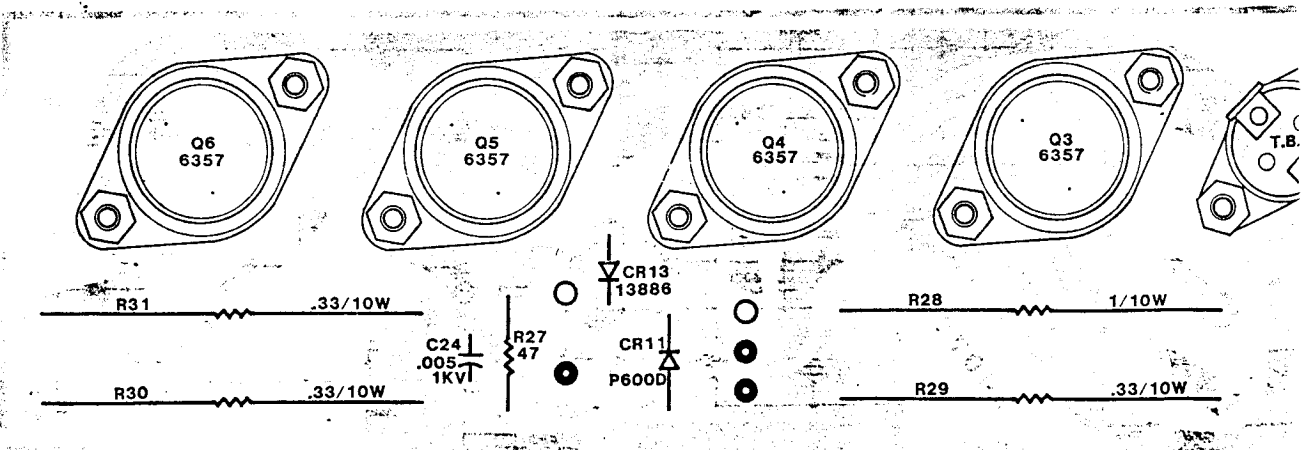
BH MODULE
 BD. # 99009018
 (11/24/80)

REVISED	2/23/83	REG
PEAVEY ELECTRONICS CORP. MERIDIAN, MS.		
DRAWN BY	REG	DATE 2-16-81
C.B. CHECK	REG	
CHECK BY	REG	
APPR. BY	REG	

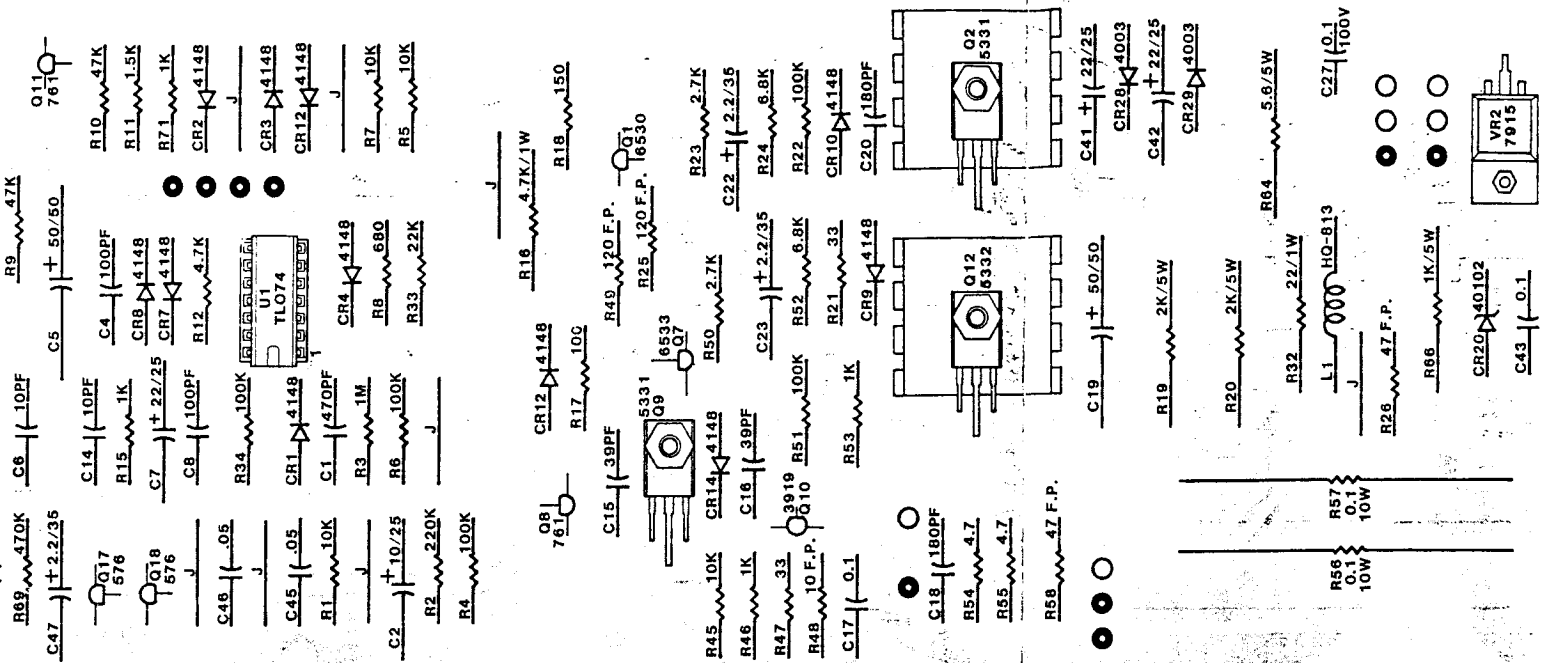
P/N 81505000



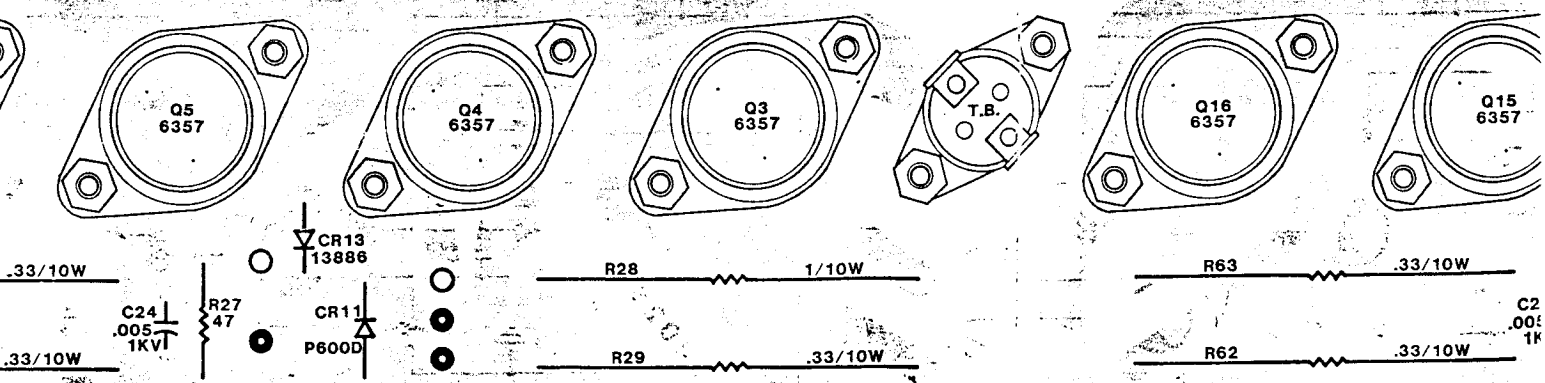
400BH I



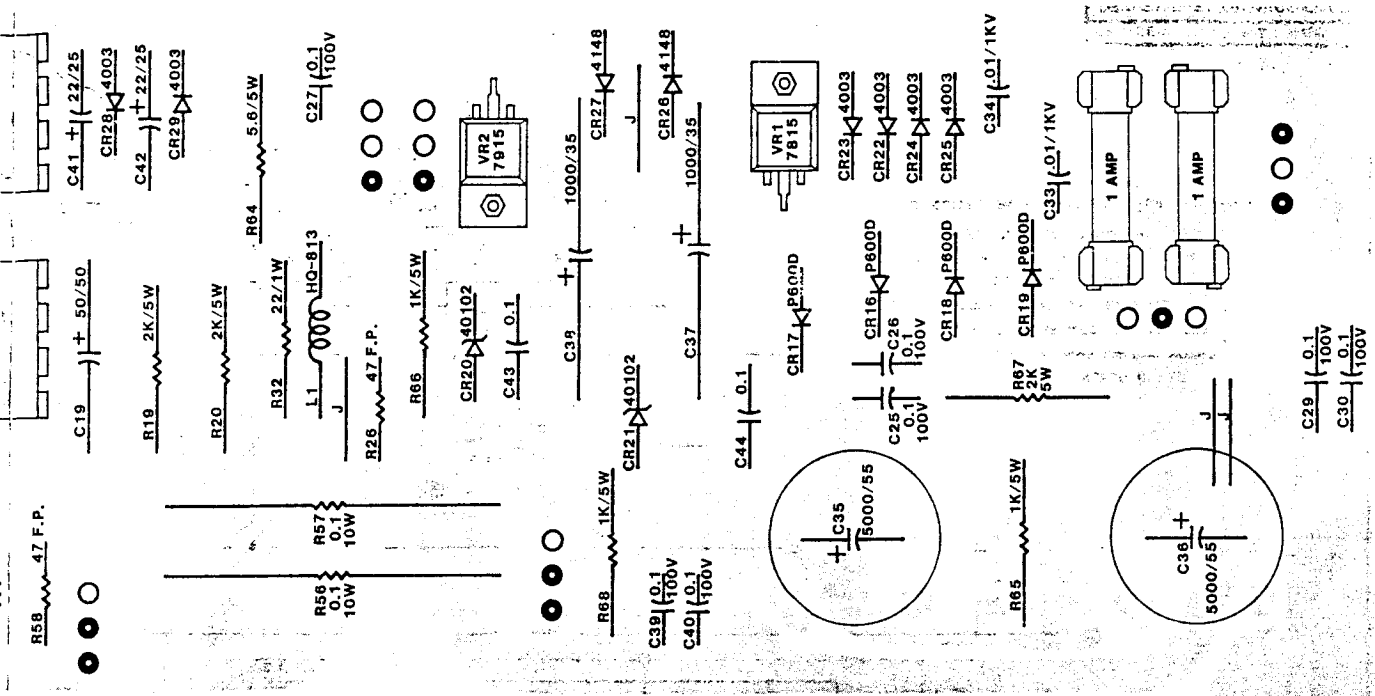
400BH OI



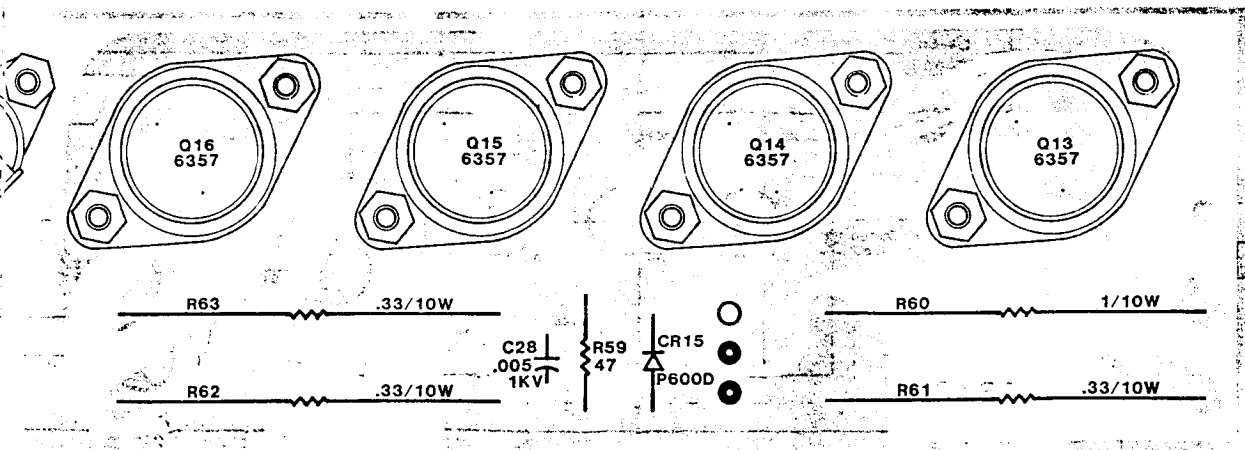
400BH DRIVE BD.



400BH OUTPUT BD.



FIVE BD.



OUTPUT BD.