

Pioneer

Service Manual

ORDER NO.
RRV2500

STEREO CD CASSETTE DECK RECEIVER

XR-A4900

THIS MANUAL IS APPLICABLE TO THE FOLLOWING MODEL(S) AND TYPE(S).

Type	Model	Power Requirement	Remarks
	XR-A4900		
MYXJ	○	AC220-230V	
NVXJ	○	AC230V	

● This service manual should be used together with the following manual(s):

Model No.	Order No.	Remarks
XR-A4800/MYXJ	RRV2328	

2. CONTRAST OF MISCELLANEOUS PARTS

NOTES: ● Parts marked by "NSP" are generally unavailable because they are not in our Master Spare Parts List.

● The Δ mark found on some component parts indicates the importance of the safety factor of the part. Therefore, when replacing, be sure to use parts of identical designation.

● Screws adjacent to \blacktriangledown mark on product are used for disassembly.

● Reference Nos. indicate the pages and Nos. in the service manual for the base model.

● When ordering resistors, first convert resistance values into code form as shown in the following examples.

Ex.1 When there are 2 effective digits (any digit apart from 0), such as 560 ohm and 47k ohm (tolerance is shown by J=5%, and K=10%).

560 \rightarrow $56 \times 10^1 \rightarrow$ 561 RD1/4PU $\boxed{5}\boxed{6}\boxed{1}J$

47k \rightarrow $47 \times 10^3 \rightarrow$ 473 RD1/4PU $\boxed{4}\boxed{7}\boxed{3}J$

0.5 \rightarrow R50 RN2H $\boxed{R}\boxed{5}\boxed{0}K$

1 \rightarrow 1R0 RS1P $\boxed{1}\boxed{R}\boxed{0}K$

Ex.2 When there are 3 effective digits (such as in high precision metal film resistors).

5.62k \rightarrow $562 \times 10^1 \rightarrow$ 5621 RN1/4PC $\boxed{5}\boxed{6}\boxed{2}\boxed{1}F$

■ CONTRAST TABLE

XR-A4900/MYXJ, NVXJ and XR-A4800/MYXJ are constructed the same except for the following :

Ref. No.	Mark	Symbol and Description	Part No.			Remarks
			XR-A4800 /MYXJ	XR-A4900 /MYXJ	XR-A4900 /NVXJ	
P7- 1		PCB ASSEMBLIES COMPLEX ASSY └─ DISPLAY ASSY	XWM3158 XWZ3298	AWM7609 AWU7793	AWM7609 AWU7793	
P3- 1	Δ	PACKING SECTION Power Cord	ADG1154	ADG1154	ADG1156	
P3- 8		Front Pad	XHA3018	XHA3028	XHA3028	
P3- 9		Rear Pad	XHA3019	XHA3029	XHA3029	
P3-10		Packing Case	XHD3142	XHD3261	XHD3261	
P3-13		Operating Instructions (English/French)	XRE3030	XRE3047	XRE3047	
P3-14		Operating Instructions (Italian/Dutch/German)	XRC3020	XRC3043	Not used	
P3-15		Operating Instructions (Portuguese/Swedish/Spanish)	XRC3021	XRC3044	Not used	
P3-16	NSP	Polyethylene Bag Caution Sheet	Not used XRH3004	Not used Not used	AHG7033 Not used	
P5-15		EXTERIOR SECTION Rear Panel	XNC3053	XNC3118	XNC3118	
P5-26		Tray Cap Tray Panel CD	XAK3156 Not used	XAK3236 XAK3269	XAK3236 XAK3269	For Tray Cap
P5-30		Caution Label HE	PRW1233	PRW1233	PRW1018	
P5-31		Caution Label	VRW1094	VRW1094	Not used	
P5-36	NSP	Getter	XAX3163	XAX3260	XAX3260	
P5-44	NSP	Barrier Name Label Rear Sheet	XEC3013 Not used AED7037	XEC3027 Not used Not used	XEC3027 XAL3093 Not used	*1
P7-18		FRONT PANEL SECTION Volume Knob	XAA3013	XAA3022	XAA3022	
P7-21		FUNC Button L FUNC Cap L	XAD3076 Not used	XAD3116 XAK3247	XAD3116 XAK3247	No.8 No.7
P7-22		FUNC Button R FUNC Cap R	XAD3077 Not used	XAD3117 XAK3248	XAD3117 XAK3248	No.10 No.9
P7-23		FUNC Frame L	XAD3052	Not used	Not used	
P7-24		FUNC Frame R	XAD3053	Not used	Not used	
P7-25		CD ENT Button	XAD3055	XAD3109	XAD3109	No.12
P7-26		Display Panel	XAK3215	XAK3260	XAK3260	
P7-27		EQ Panel	XAK3149	Not used	Not used	

Ref. No.	Mark	Symbol and Description	Part No.			Remarks
			XR-A4800 /MYXJ	XR-A4900 /MYXJ	XR-A4900 /NVXJ	
P7-28 P7-29 P7-33		SC Panel	Not used	XAK3245	XAK3245	No.26
		SC Panel Assy	Not used	XXG3088	XXG3088	No.13
		JOG Lens	XAK3152	XAK3243	XAK3243	No.23
		V Lens	XAK3153	XAK3237	XAK3237	
		FL Cover	XAK3163	XAK3239	XAK3239	
P7-34		Cover Sheet L	XAK3184	Not used	Not used	
P7-35		Cover Sheet R	XAK3185	Not used	Not used	
P7-36 P7-37		LED Barrier	Not used	XEC3022	XEC3022	No.24
		Power Button	XAD3043	XAD3102	XAD3102	No.17
		CD Button	XAD3045	XAD3104	XAD3104	No.19
P7-38		SC Button	XAD3046	Not used	Not used	
		SC Button L	Not used	XAD3105	XAD3105	No.29
		SC Cap L	Not used	XAK3241	XAK3241	No.27
		SC Button R	Not used	XAD3106	XAD3106	No.30
		SC Cap R	Not used	XAK3242	XAK3242	No.28
P7-39		ASES Button	Not used	XAD3114	XAD3114	No.20
		Timer Button	Not used	XAD3115	XAD3115	No.21
		SC Button L	XAD3047	Not used	Not used	
P7-40		Audio Button	Not used	XAD3107	XAD3107	No.14
		SC Button R	XAD3048	Not used	Not used	
P7-41 P7-42		Visual Button	Not used	XAD3108	XAD3108	No.15
		DOLBY Button	XAD3054	XAD3113	XAD3113	No.11
P7-43		Sub Panel	XAK3196	XAK3255	XAK3255	No.6
P7-44		Standby Lens	XAK3151	XAK3240	XAK3240	No.18
		Deck Lens L	XAK3159	XAK3249	XAK3249	No.3
P7-45		Deck Lens R	XAK3160	XAK3250	XAK3250	No.5
P7-46		JOG Conductor	XAK3165	XAK3244	XAK3244	No.22
P7-47		Deck Door_L	XAN3021	XAN3037	XAN3037	No.2
P7-48		Deck Door_R	XAN3025	XAN3042	XAN3042	No.4
P7-49		Front Panel	XMB3026	XMB3056	XMB3056	No.1
P7-52 P7-53		O/C Button	Not used	XAD3103	XAD3103	No.16
		Spacer	XEB3012	Not used	Not used	
		Spacer	XEB3013	Not used	Not used	
		Cushion Spacer	XEB3015	Not used	Not used	
		Cushion Spacer	XEB3016	Not used	Not used	
		Cushion Spacer	XEB3017	Not used	Not used	
		Spacer	XEC3014	Not used	Not used	
		Spacer	XEC3019	Not used	Not used	

Notes : For PCB ASSEMBLIES, Refer to “CONTRAST OF PCB ASSEMBLIES”.

The numbers in the remarks column correspond to the numbers on the “ FRONT PANEL ASSY ”.

*1 Stick Name Label on the Rear Panel.

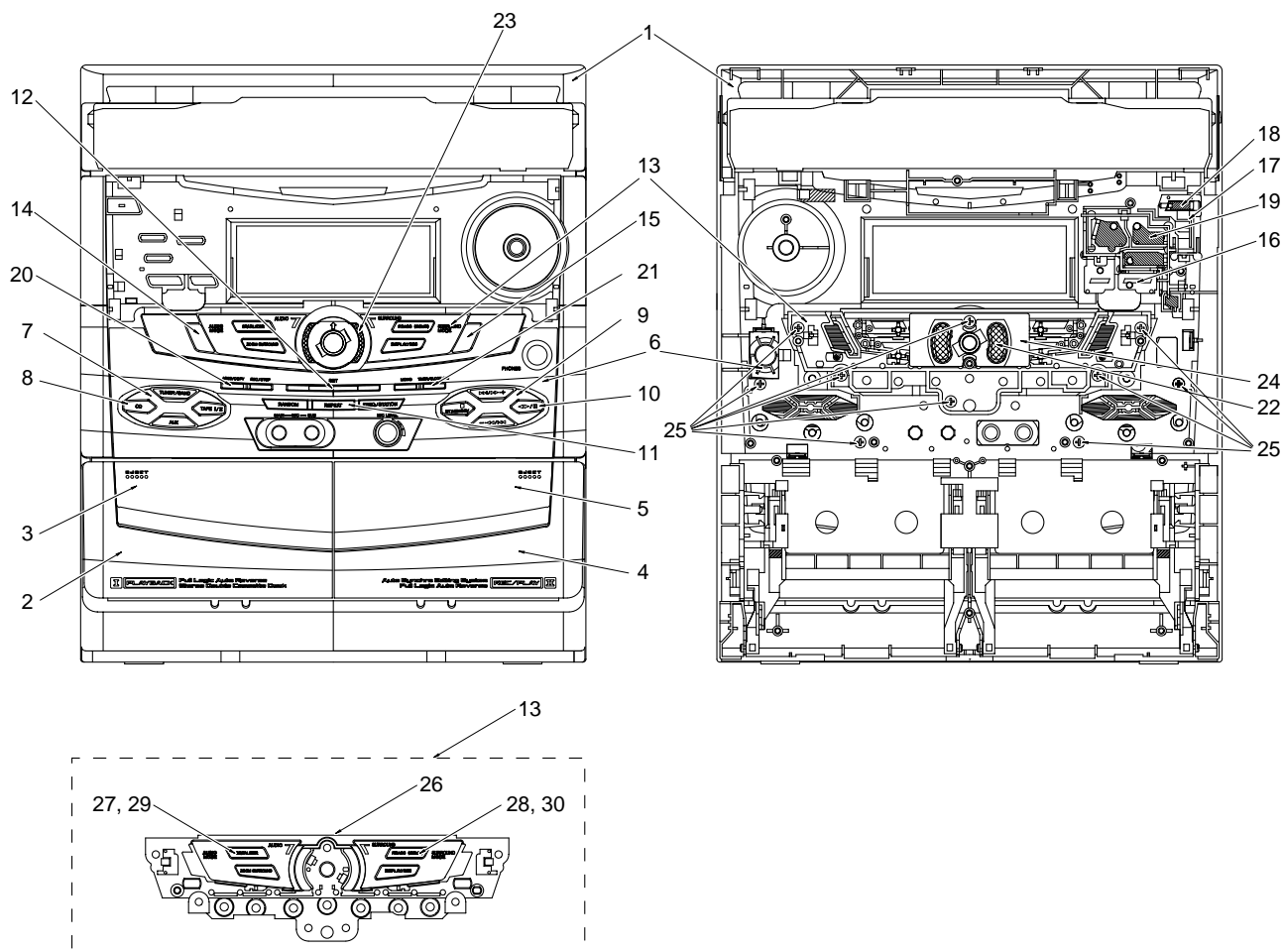
■ CONTRAST OF PCB ASSEMBLIES

UF DISPLAY ASSY

AWU7793 and XWZ3298 are constructed the same except for the following :

Mark	Symbol and Description	Part No.		Remarks
		XWZ3298	AWU7793	
	D5610, D5611, D5615, D5616, D5904	SLP3118C51H	SLR-343MC(NPQ)	
	D5612, D5614	SLP6118C51H	SLR-343DC(NPQ)	
	D5619, D5620, D5903	SLP9118C51H	SLR-343VC(NPQ)	
	D5902	SLP7118C51H	SLR-343PC(KLM)	
	S5911, S5913, S5915–S5921, S5923–S5929, S5931–S5940	XSG3001	ASG1051	

■ FRONT PANEL ASSY



• FRONT PANEL ASSY PARTS LIST

Mark No.	Description	Part No.	Mark No.	Description	Part No.
1	Front Panel	XMB3056	16	O/C Button	XAD3103
2	Deck Door_L	XAN3037	17	Power Button	XAD3102
3	Deck Lens L	XAK3249	18	Standby Lens	XAK3240
4	Deck Door_R	XAN3042	19	CD Button	XAD3104
5	Deck Lens R	XAK3250	20	ASES Button	XAD3114
6	Sub Panel	XAK3255	21	Timer Button	XAD3115
7	FUNC Cap L	XAK3247	22	JOG Conductor	XAK3244
8	FUNC Button L	XAD3116	23	JOG Lens	XAK3243
9	FUNC Cap R	XAK3248	24	LED Barrier	XEC3022
10	FUNC Button R	XAD3117	25	Screw	BPZ30P100FZK
11	DOLBY Button	XAD3113	26	SC Panel	XAK3245
12	CD ENT Button	XAD3109	27	SC Cap L	XAK3241
13	SC Panel Assy	XXG3088	28	SC Cap R	XAK3242
14	Audio Button	XAD3107	29	SC Button L	XAD3105
15	Visual Button	XAD3108	30	SC Button R	XAD3106