

Pioneer

Service Manual

ORDER NO.
RRV2222

STEREO CD CASSETTE DECK RECEIVER

XR-A670GR XR-A370GR

THIS MANUAL IS APPLICABLE TO THE FOLLOWING MODEL(S) AND TYPE(S).

Type	Model		Power Requirement	The voltage can be converted by the following method.
	XR-A670GR	XR-A370GR		
DBDXJ	○	—	AC110-127V/220-230V/240V	With the voltage selector
KUCXJ	—	○	AC120V	_____

● This service manual should be used together with the following manual(s):

Model No.	Order No.	Remarks
XR-A670/KUCXJ	RRV2188	

CONTENTS

1. CONTRAST OF MISCELLANEOUS PARTS	2
2. SCHEMATIC DIAGRAM	6
3. MUSIC PAD	12

1. CONTRAST OF MISCELLANEOUS PARTS

NOTES: ● Parts marked by "NSP" are generally unavailable because they are not in our Master Spare Parts List.

● The Δ mark found on some component parts indicates the importance of the safety factor of the part. Therefore, when replacing, be sure to use parts of identical designation.

● Screws adjacent to \blacktriangledown mark on product are used for disassembly.

● Reference Nos. indicate the pages and Nos. in the service manual for the base model.

● When ordering resistors, first convert resistance values into code form as shown in the following examples.

Ex.1 When there are 2 effective digits (any digit apart from 0), such as 560 ohm and 47k ohm (tolerance is shown by J=5%, and K=10%).

560 → 56 x 10¹ → 561 RD1/4PU 561J

47k → 47 x 10³ → 473 RD1/4PU 473J

0.5 → R50 RN2H R50K

1 → 1R0 RS1P 1R0K

Ex.2 When there are 3 effective digits (such as in high precision metal film resistors).

5.62k → 562 x 10¹ → 5621 RN1/4PC 5621F

■ CONTRAST TABLE

XR-A370GR/KUCXJ and XR-A370/KUCXJ are constructed the same except for the following :

Ref. No.	Mark	Symbol and Description	Part No.		Remarks
			XR-A370 /KUCXJ	XR-A370GR /KUCXJ	
P6-1		PCB ASSEMBLIES			
		MAIN ASSY └ AF ASSY	XWM3097 XWZ3196	XWM3104 XWZ3203	
P9-1		COMPLEX ASSY └ DISPLAY ASSY	XWM3108 XWZ3209	XWM3117 XWZ3218	
		PACKING SECTION			
P4-10		Packing Case	XHD3082	XHD3109	
		Operating Instructions (English/Arabian/Russian/Chinese/Spanish/French)	Not used	XRE3027	
		Cord with Mini Piug	Not used	XDE3025	Accessories
		CAP Sheet	Not used	XHG3006	For Packing
P6-35	NSP	Packing Sheet	Not used	XHG3007	For Packing
		MUSIC PAD	Not used	XXD3021	Accessories *1
		Dry Cell Battery (R6P, AA) (For MUSIC PAD)	Not used	VEM-013	For MUSIC PAD
		Polyethylene Bag (0.03 x 230 x 340)	Not used	Z21-038	For Packing
P6-35	NSP	EXTERIOR SECTION			
		Fuse Card	AAX7097	AAX7098	
		Name Label	Not used	XAL3028	*2
P9-17 P9-30					
		FRONT PANEL SECTION			
		Display Panel	XAK3108	XAK3111	
		Sub Panel	XAK3080	XAK3104	
		Earth Plate A	Not used	XNG3018	No.2

Notes : ●The numbers in the remarks column correspond to the numbers on the "EXPLODED VIEWS".

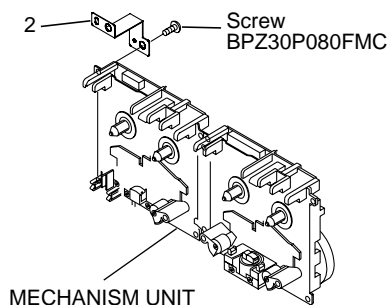
● For PCB ASSEMBLIES, Refer to "CONTRAST OF PCB ASSEMBLIES" and "2. SCHEMATIC DIAGRAM".

*1 : Refer to "3. MUSIC PAD".

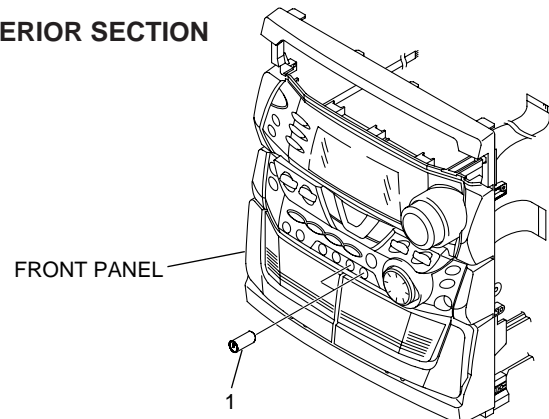
*2 : Stick Name Label on Rear Panel.

■ EXPLODED VIEWS

● FRONT PANEL SECTION



● EXTERIOR SECTION



■ CONTRAST TABLE

XR-A670GR/DBDXJ and XR-A670/KUCXJ are constructed the same except for the following :

Ref. No.	Mark	Symbol and Description	Part No.		Remarks
			XR-A670 /KUCXJ	XR-A670GR /DBDXJ	
PCB ASSEMBLIES					
P6- 1		MAIN ASSY └ AF ASSY	XWM3100 XWZ3199	XWM3103 XWZ3202	
P6- 2		COMPLEX ASSY └ PRIMARY ASSY	XWM3113 XWZ3224	XWM3116 XWZ3222	
P6- 3		└ SUB TRANS ASSY	XWZ3227	XWZ3226	
P9- 1		└ DISPLAY ASSY	XWZ3214	XWZ3217	
PACKING SECTION					
P4- 1	△	Power Cord	ADG7022	ADG1158	
P4-10		Packing Case	XHD3091	XHD3110	
P4-11	NSP	Warranty Card	ARY7033	Not used	
P4-13		Operating Instructions (English/French)	XRE3024	Not used	
		Operating Instructions (English/Chinese/Spanish)	Not used	XRE3025	
		Operating Instructions (English/Arabian/Russian/Chinese/Spanish/French)	Not used	XRE3027	
		Cord with Mini Piug	Not used	XDE3025	Accessories
		CAP Sheet	Not used	XHG3006	For Packing
		Packing Sheet	Not used	XHG3007	For Packing
	△	Power-cord Plug Conversion Adapter	Not used	XKM3002	Accessories
	NSP	MUSIC PAD	Not used	XXD3021	Accessories *1
		Dry Cell Battery (R6P, AA)	Not used	VEM-013	For MUSIC PAD
		Polyethylene Bag (0.03 × 230 × 340)	Not used	Z21-038	For Packing
EXTERIOR SECTION					
P6- 7	△	Power Transformer (AC120V)	XTS3032	Not used	
P6- 7	△	Power Transformer (AC110-127V/220-230V/240V)	Not used	XTS3031	
P6- 8	△	Fuse (FU1 : 6.3A)	REK1085	Not used	
P6- 8	△	Fuse (FU1 : T5A)	Not used	AEK1061	
P6- 9	NSP	Fuse Caution Label	XAX3157	Not used	
P6-20		Rear Panel	XNC3040	XNC3042	
P6-27		Shield Plate	XNG3029	XNG3017	
P6-35	NSP	Fuse Card	AAX2374	AAX7098	
P6-45		65 Label	ORW1069	Not used	
P6-54		Screw	BCZ40P060FZK	ASZ40P060FMC	
	△	Cord Clamper	RNH1005	Not used	*2
		Fuse (FU2, FU3 : T3.15A)	Not used	AEK1059	*3
		Fuse Card (For FU2, FU3)	Not used	AAX7493	*4
	NSP	Name Label	Not used	XAL3034	
		Mic Knob	Not used	XAB3007	No.1
FRONT PANEL SECTION					
P9-17		Display Panel	XAK3113	XAK3120	
P9-19		FL Cover	XAK3088	XAK3124	
P9-30		Sub Panel	XAK3106	XAK3107	
		Earth Plate A	Not used	XNG3018	No.2

Notes : ●The numbers in the remarks column correspond to the numbers on the “ EXPLODED VIEWS ”.

● For PCB ASSEMBLIES, Refer to “CONTRAST OF PCB ASSEMBLIES” and “2. SCHEMATIC DIAGRAM”.

*1 : Refer to “3. MUSIC PAD”.

*2 : Refer to “2. SCHEMATIC DIAGRAM”.

*3 : Stick Fuse Card on PRIMARY Assy.

*4 : Stick Name Label on Rear Panel.

XR-A670GR, XR-A370GR

■ CONTRAST OF PCB ASSEMBLIES

FF AF ASSY

XWZ3203 and XWZ3196 are constructed the same except for the following :

Mark	Symbol and Description	Part No.		Remarks
		XWZ3196	XWZ3203	
	IC3951	Not used	BA4558F	
	C3953	Not used	CEAT100M50	
	R3951~R3956	Not used	RS1/10S472J	
	R3957, R3958	Not used	RS1/10S101J	

XWZ3202 and XWZ3199 are constructed the same except for the following :

Mark	Symbol and Description	Part No.		Remarks
		XWZ3199	XWZ3202	
	IC3951	Not used	BA4558F	
	C3953	Not used	CEAT100M50	
	R3951~R3956	Not used	RS1/10S472J	
	R3957, R3958	Not used	RS1/10S101J	

JF DISPLAY ASSY

XWZ3218 and XWZ3209 are constructed the same except for the following :

Mark	Symbol and Description	Part No.		Remarks
		XWZ3209	XWZ3218	
	IC3901	Not used	BA4558F	
	IC3931	Not used	M65855FP	
	D3931	Not used	MTZJ5.1B	
	F3903, F3904	Not used	DTF1069	
	L3931	Not used	LCTB100K2125	
	C3901, C3902, C3904, C3906	Not used	CEJA2R2M50	
	C3903	Not used	CCSQSL331J50	
	C3905	Not used	CEJA470M16	
	C3907	Not used	CKSQYB472K50	
	C3910	Not used	CKSQYB104K25	
	C3911, C3931, C3934, C3940	Not used	CKSQYB103K50	
	C3932	Not used	CEJAR47M50	
	C3933	Not used	CEJA220M16	
	C3935	Not used	CKSQYB473K50	
	C3936, C3937	Not used	CEJA4R7M50	
	C3938	Not used	CKSQYB472K50	
	C3939	Not used	CKSQYB123K50	
	C3942	Not used	CKSQYF104K50	
	C3943	Not used	CEJA101M16	
	R3901, R3902, R3907, R3911, R3912	Not used	RS1/10S332J	
	R3903, R3936	Not used	RS1/10S103J	
	R3904	Not used	RS1/10S104J	
	R3905	Not used	RS1/10S473J	
	R3906	Not used	RS1/10S681J	
	R3908	Not used	RS1/10S101J	
	R3922	Not used	RS1/10S0R0J	
	R3931	Not used	RS1/10S472J	
	R3932, R3937, R3938	Not used	RS1/10S123J	
	R3933	Not used	RS1/10S154J	
	R3934	Not used	RS1/10S124J	
	R3935	Not used	RS1/10S822J	
	R3940	Not used	RD1/4PU331J	
	VR3901, VR3902	Not used	XCS3002	
	JA3901, JA3902	Not used	XKN3003	

JF DISPLAY ASSY

XWZ3217 and XWZ3214 are constructed the same except for the following :

Mark	Symbol and Description	Part No.		Remarks
		XWZ3214	XWZ3217	
	IC3901	Not used	BA4558F	
	IC3931	Not used	M65855FP	
	D3931	Not used	MTZJ5.1B	
	D5597	1SS355	Not used	
	F3903, F3904	Not used	DTF1069	
	L3931	Not used	LCTB100K2125	
	C3901, C3902, C3904, C3906	Not used	CEJA2R2M50	
	C3903	Not used	CCSSQL331J50	
	C3905	Not used	CEJA470M16	
	C3907	Not used	CKSQYB472K50	
	C3910	Not used	CKSQYB104K25	
	C3911, C3931, C3934, C3940	Not used	CKSQYB103K50	
	C3932	Not used	CEJAR47M50	
	C3933	Not used	CEJA220M16	
	C3935	Not used	CKSQYB473K50	
	C3936, C3937	Not used	CEJA4R7M50	
	C3938	Not used	CKSQYB472K50	
	C3939	Not used	CKSQYB123K50	
	C3942	Not used	CKSQYF104K50	
	C3943	Not used	CEJA101M16	
	R3901, R3902, R3907, R3911, R3912	Not used	RS1/10S332J	
	R3903, R3936	Not used	RS1/10S103J	
	R3904	Not used	RS1/10S104J	
	R3905	Not used	RS1/10S473J	
	R3906	Not used	RS1/10S681J	
	R3908	Not used	RS1/10S101J	
	R3922	Not used	RS1/10S0R0J	
	R3931	Not used	RS1/10S472J	
	R3932, R3937, R3938	Not used	RS1/10S123J	
	R3933	Not used	RS1/10S154J	
	R3934	Not used	RS1/10S124J	
	R3935	Not used	RS1/10S822J	
	R3940	Not used	RD1/4PU331J	
	VR3901, VR3902	Not used	XCS3002	
	JA3901, JA3902	Not used	XKN3003	

HF PRIMARY ASSY

XWZ3222 and XWZ3224 are constructed the same except for the following :

Mark	Symbol and Description	Part No.		Remarks
		XWZ3224	XWZ3222	
△	S1 VOLTAGE SELECTOR	Not used	XKX3001	
	H3-H6 FUSE CLIP	Not used	AKR7001	
NSP	Y4 JUMPER WIRE	Not used	XDX3009	

IF SUB TRANS ASSY

XWZ3226 and XWZ3227 are constructed the same except for the following :

Mark	Symbol and Description	Part No.		Remarks
		XWZ3227	XWZ3226	
	R1 (2.2MΩ/ 1/2)	RCN1080	Not used	
△	AN1 1P AC INLET	XKP3042	XKP3041	

2. SCHEMATIC DIAGRAM

2.1 AF ASSY (2/3)

F 2/3 F AF ASSY

(XR-A670GR/DBDXJ : XWZ3202)
 (XR-A370GR/KUCXJ : XWZ3203)

NOTES

- ALL CAPACITORS ARE IN μ F UNLESS OTHERWISE SPECIFIED
- TL : CFTLA
- M : CQMB A
- (OTHER : CKCYF)
- CH : CCGSCH
- SL : CCGSL
- (OTHER : CKSQYB)
- JA : CEJA
- AL : CEAL
- HAQ : CEHAQ
- (OTHER : CEAS**M## or CEAT***M##)
- ALL RESISTORS ARE IN Ω
- ∇ 1/10W (CHIP)
- \sim 1/4WPU
- ALL INDUCTORS ARE IN μ H
- LAU

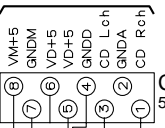
A

B

C

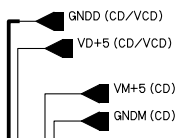
D

B CN8204

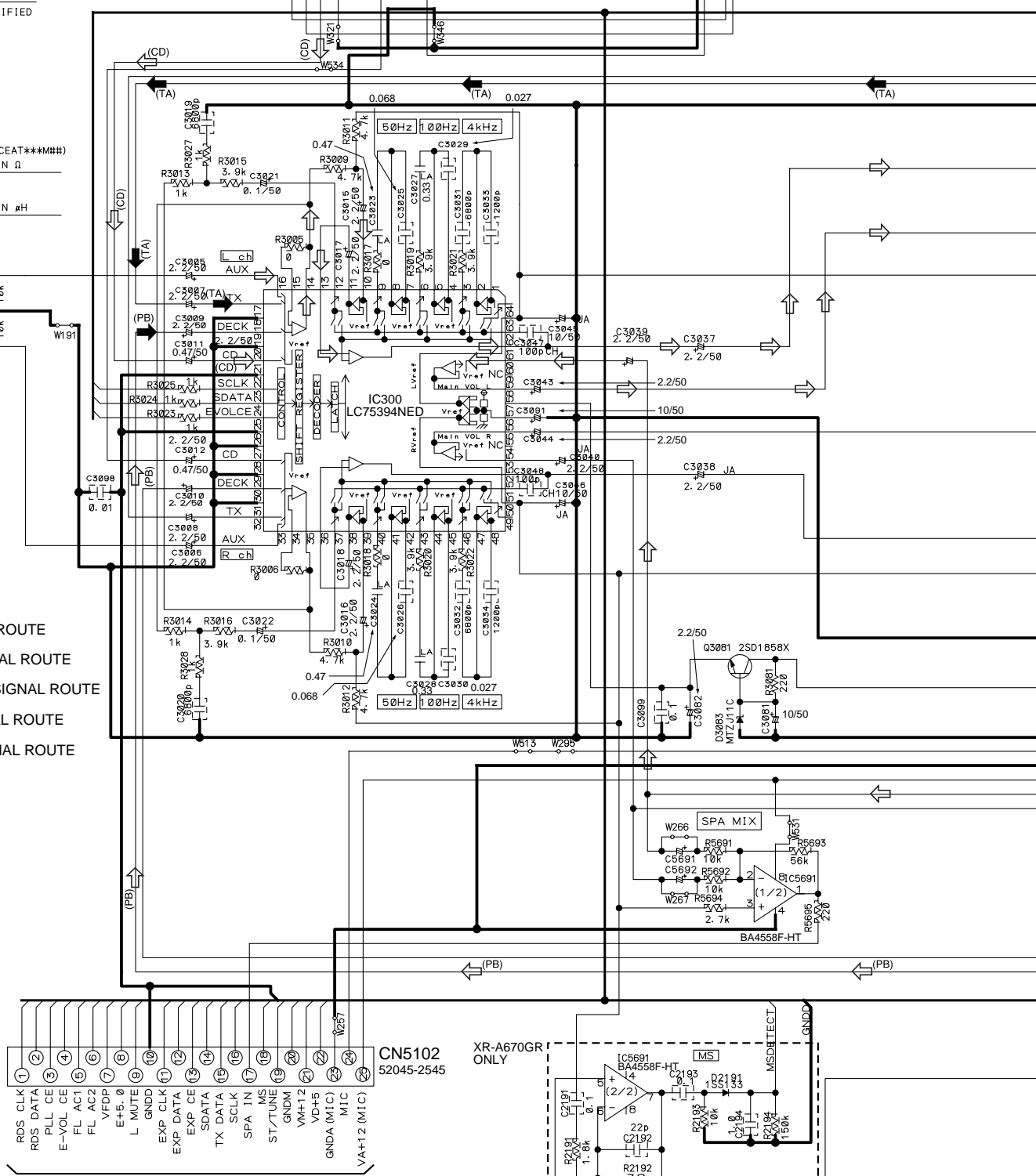


CN1052
52045-0845

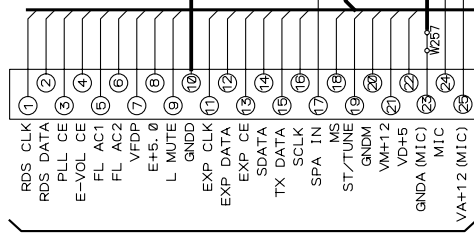
F 3/3



- \rightarrow : AUDIO SIGNAL ROUTE
- \rightarrow (CD) : CD AUDIO SIGNAL ROUTE
- \rightarrow (TA) : TUNER AUDIO SIGNAL ROUTE
- \rightarrow (PB) : DECK PB SIGNAL ROUTE
- \rightarrow (REC) : DECK REC SIGNAL ROUTE

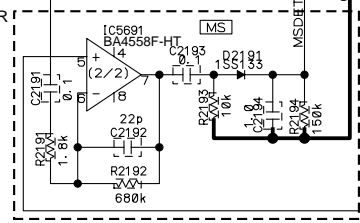


CN5102
52045-2545



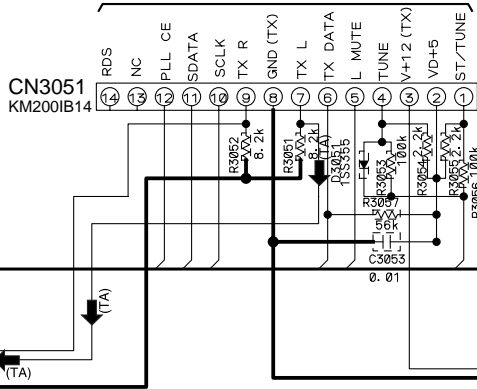
J F CN5503

XR-A670GR ONLY



Note : When ordering service parts, be sure to refer to "EXPLODED VIEWS and PARTS LIST" or "PCB PARTS LIST"

AB CN6201



F 3/3

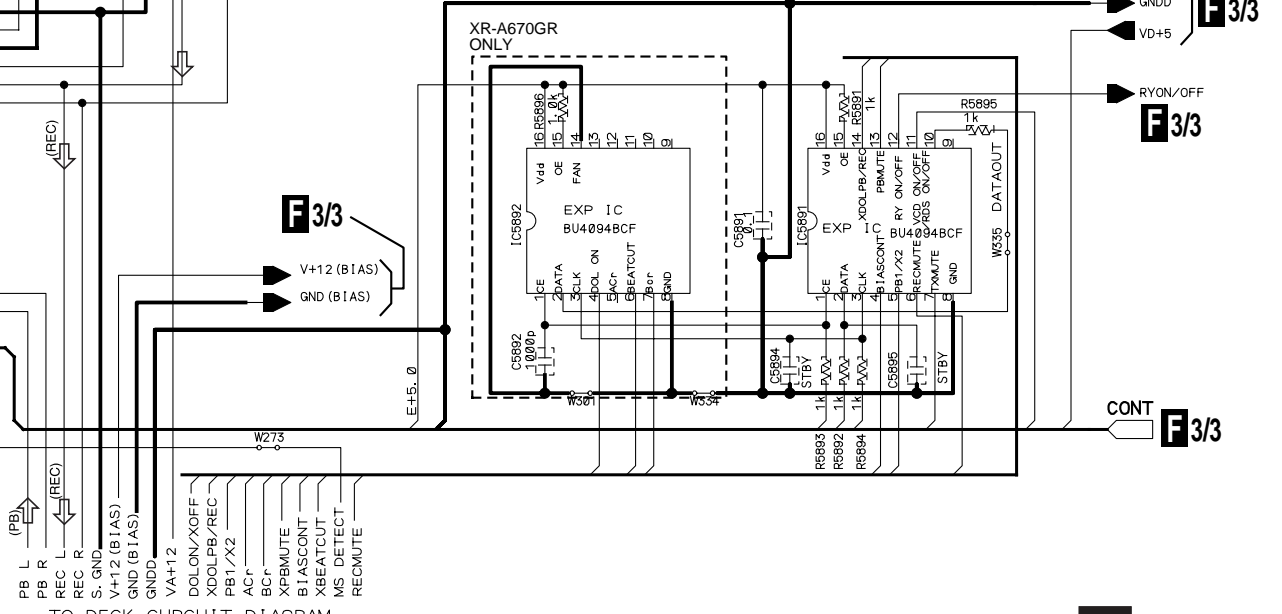
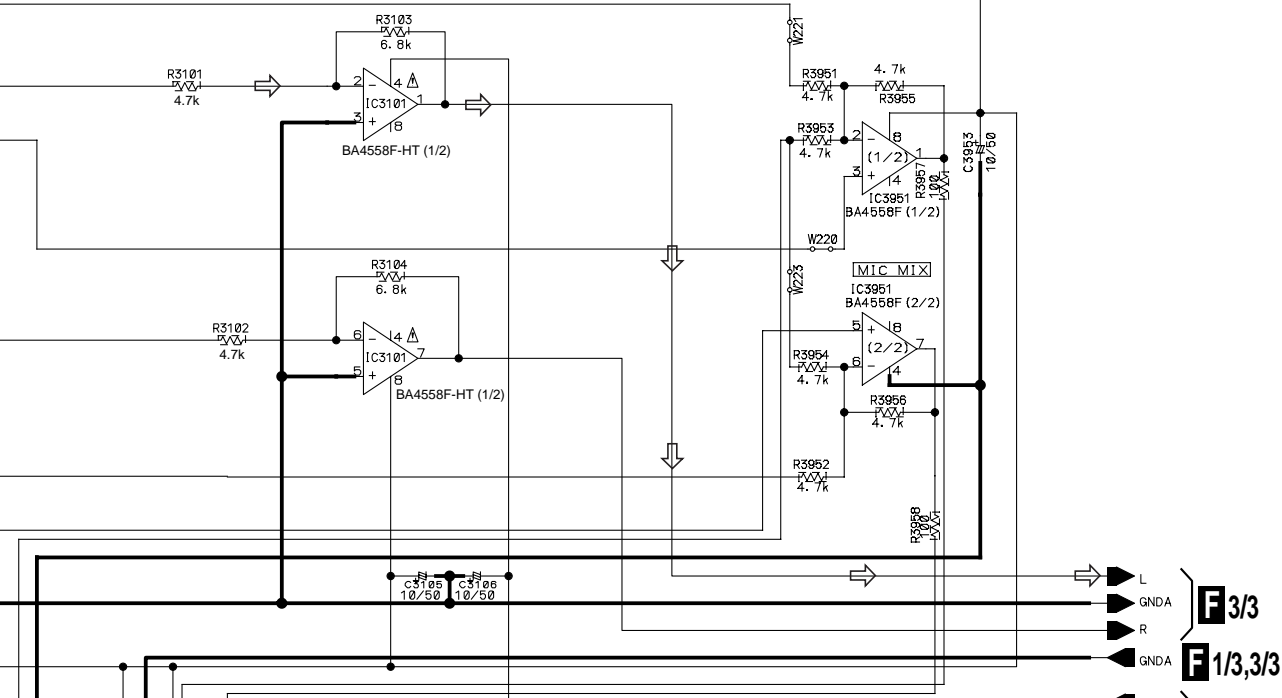
F 3/3

F 1/3,3/3

F 3/3

F 3/3

F 3/3



TO DECK CURCUIT DIAGRAM

F 1/3

F 2/3F

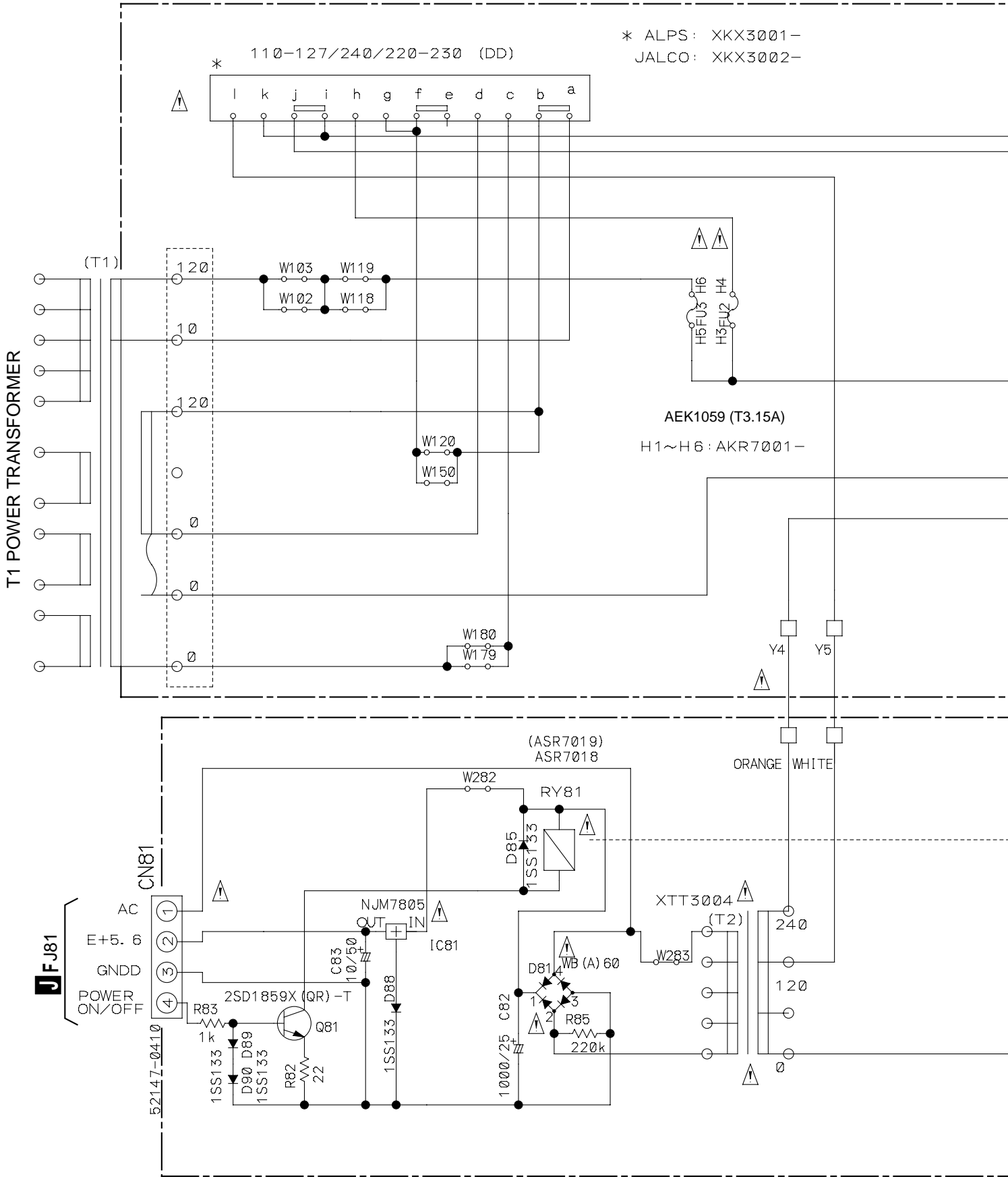
2.2 PRIMARY and SUB TRANS ASSYS (FOR XR-A670GR/DBDXJ)

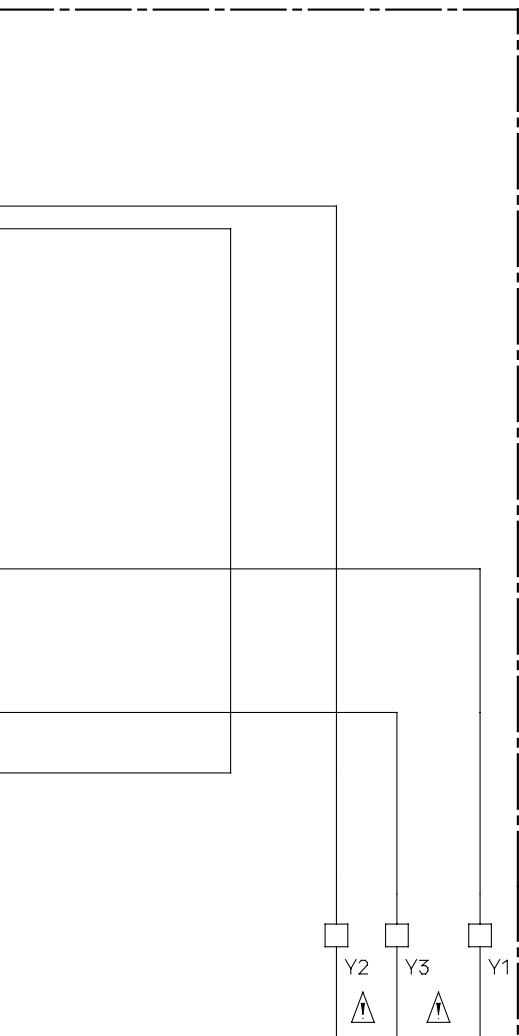
A

B

C

D



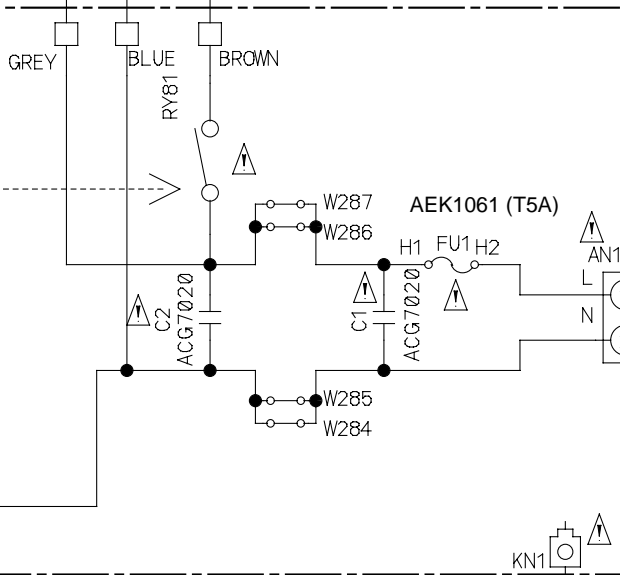


PRIMARY ASSY
(XR-A670GR/DBDXJ : XWZ3222)

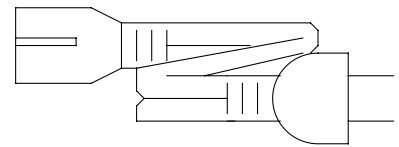
• NOTE FOR FUSE REPLACEMENT

CAUTION - FOR CONTINUED PROTECTION AGAINST RISK OF FIRE.
REPLACE WITH SAME TYPE AND RATINGS ONLY.

- Y3 BLUE XDX3007
- Y1 BROWN XDX3008
- Y4 ORANGE XDX3009
- Y2 GREY XDX3010
- Y5 WHITE XDX3011



SUB TRANS ASSY
(XR-A670GR/DBDXJ : XWZ3226)



AC POWER CORD
DBDXJ TYPE : ADG1158



2.3 DISPLAY ASSY

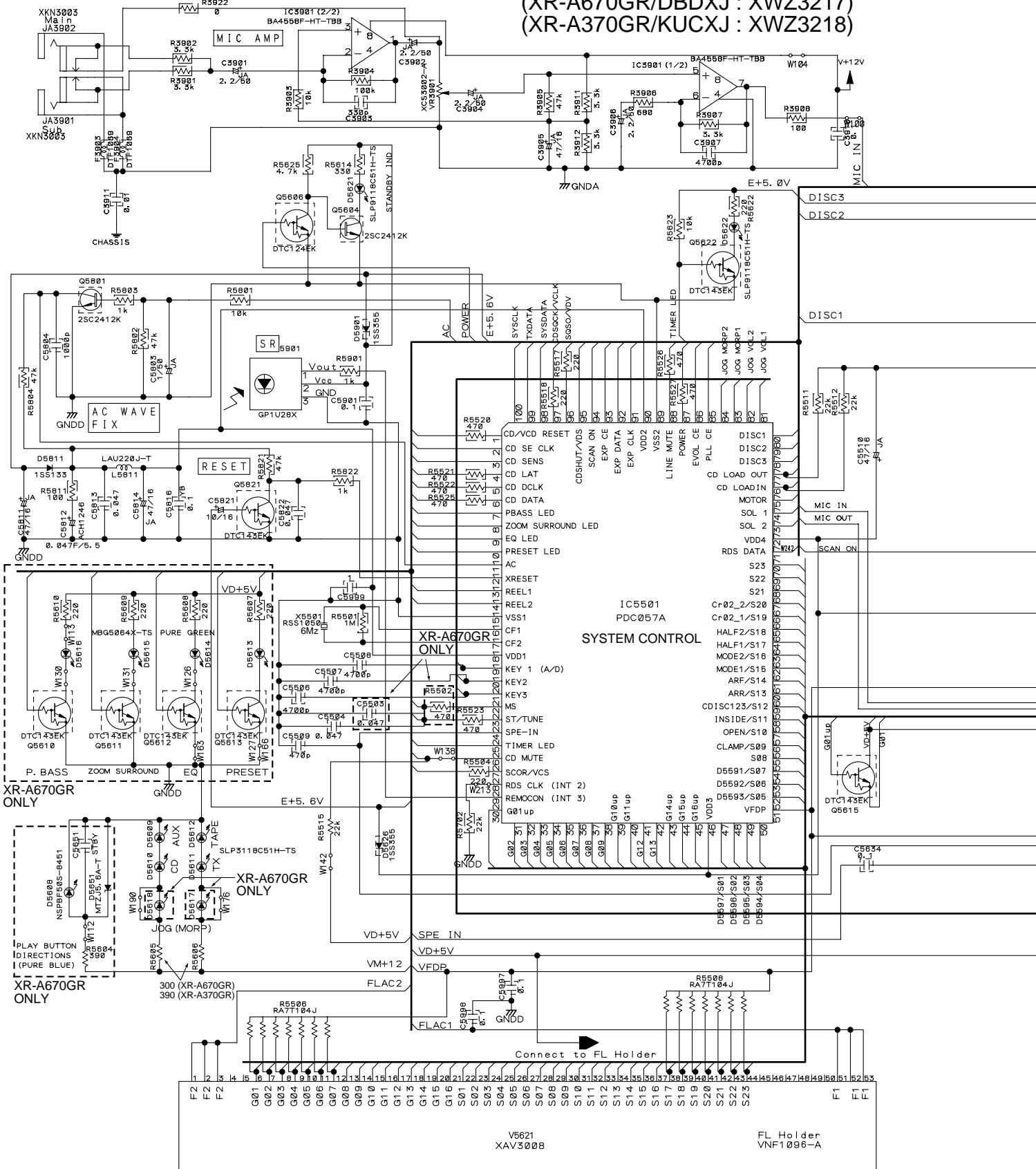
JF DISPLAY ASSY
(XR-A670GR/DBDXJ : XWZ3217)
(XR-A370GR/KUCXJ : XWZ3218)

A

B

C

D

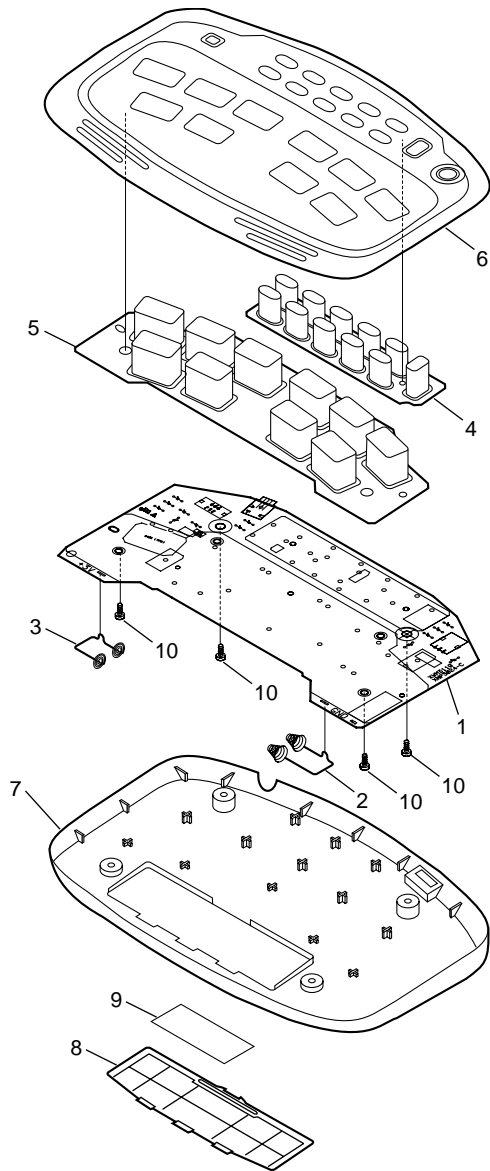


3. MUSIC PAD

3.1 EXPLODED VIEWS AND PARTS LIST

- NOTES:
- Parts marked by "NSP" are generally unavailable because they are not in our Master Spare Parts List.
 - The Δ mark found on some component parts indicates the importance of the safety factor of the part. Therefore, when replacing, be sure to use parts of identical designation.
 - Screws adjacent to \blacktriangledown mark on the product are used for disassembly.

3.1.1 MUSIC PAD



● MUSIC PAD PARTS LIST

Mark	No.	Description	Part No.
	1	MUSIC PAD ASSY	XWM3119
	2	Battery Spring A	XBH3004
	3	Battery Spring B	XBH3005
	4	Rubber Button A	XAD3036
	5	Rubber Button B	XAD3037
	6	Top Cover	XAK3115
	7	Bottom Case	XAK3116
	8	Battery Cover	XMR3011
	9	Battery Label	XAX3162
	10	Screw	BPZ30P100FZK

3.2 PCB PARTS LIST

NOTES: ●Parts marked by "NSP" are generally unavailable because they are not in our Master Spare Parts List.

●The Δ mark found on some component parts indicates the importance of the safety factor of the part. Therefore, when replacing, be sure to use parts of identical designation.

●When ordering resistors, first convert resistance values into code form as shown in the following examples.

Ex.1 When there are 2 effective digits (any digit apart from 0), such as 560 ohm and 47k ohm (tolerance is shown by J=5%, and K=10%).

560 Ω	→	56×10^1	→	561	RD1/4PU	5 6 1	J
47k Ω	→	47×10^3	→	473	RD1/4PU	4 7 3	J
0.5 Ω	→	R50			RN2H	R 5 0	K
1 Ω	→	1R0			RS1P	1 R 0	K

Ex.2 When there are 3 effective digits (such as in high precision metal film resistors).

5.62k Ω	→	562×10^1	→	5621	RN1/4PC	5 6 2 1	F
----------------	---	-------------------	---	------	-------	---------	---	---

Mark	No.	Description	Part No.
------	-----	-------------	----------

KF MUSIC PAD ASSY

SEMICONDUCTORS

IC501	LC7730M
IC701	NJU7002M
IC301	PD8067B
IC401	PD8068A
Q301, Q601, Q801	2SA1037K
Q603, Q803, Q901	2SD2114K
Q602, Q802	DTA114TK
Q302, Q501, Q502	DTC114TK
Q303	DTC144TK
D308, D310–D313, D407, D501	1SS355
D601, D602, D801, D802	1SS355
D301–D307, D401–D403	DAN202K
D309, D404–D406, D408	DAP202K

SWITCHES AND RELAYS

S901	XSH3001
------	---------

CAPACITORS

C301, C401	CCSQCH330J50
C702	CCSQCH331J50
C309, C502, C505, C506, C806	CEJA1R0M50
C305, C405, C901, C902	CEJA470M16
C306, C504	CEJA4R7M50
C501, C507	CKSQYB102K50
C708	CKSQYB153K50
C701, C703	CKSQYB562K50
C705	CKSQYB822K50
C302, C303, C402, C403, C406	CKSQYF104Z25
C503, C704	CKSQYF104Z25

RESISTORS

VR301 (10K Ω -B)	XCS3004
Other Resistors	RS1/10S□□□J

OTHERS

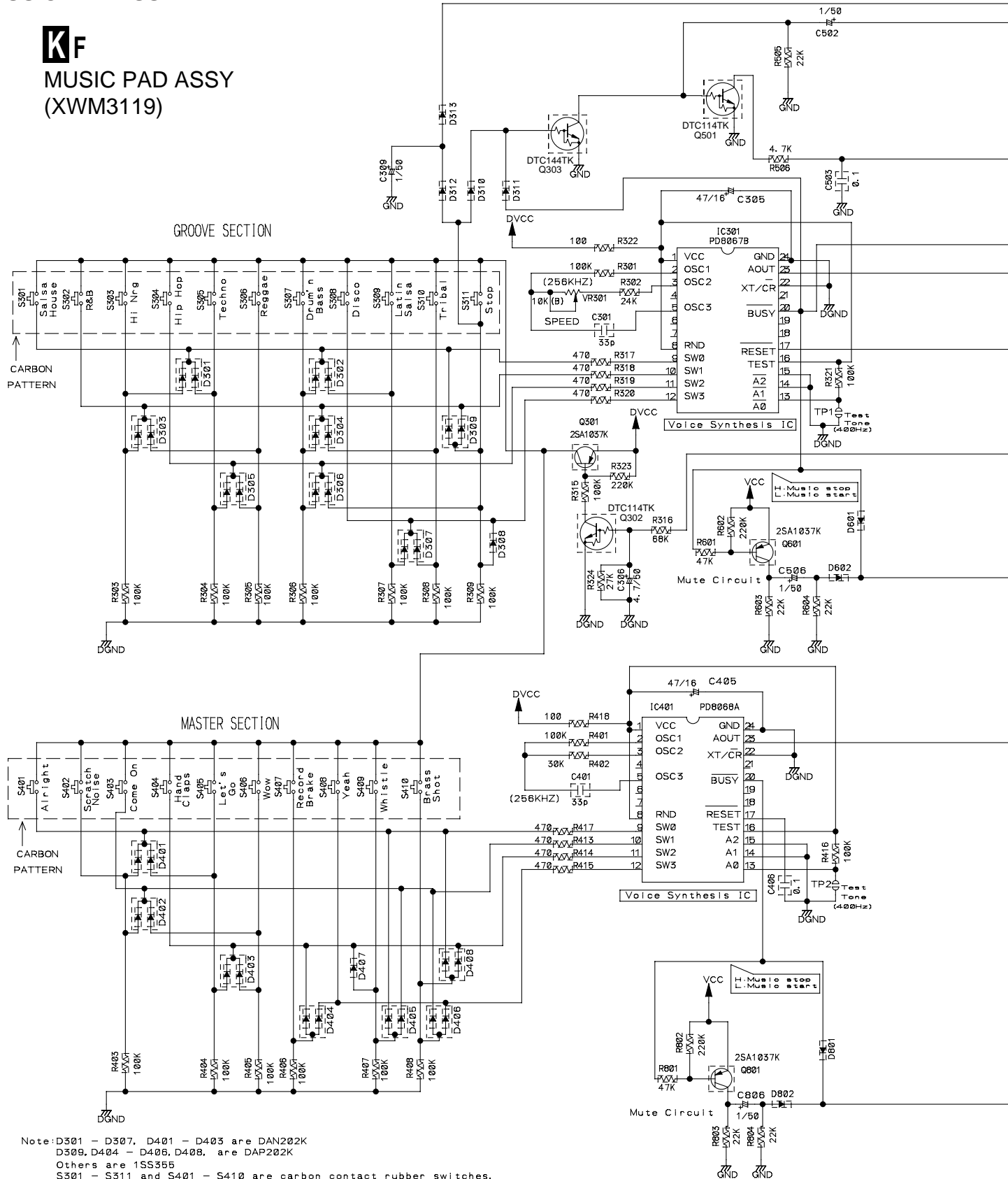
JA701	MINI JACK	XKN3005
-------	-----------	---------

3.3 SCHEMATIC DIAGRAM

3.3.1 MUSIC PAD ASSY



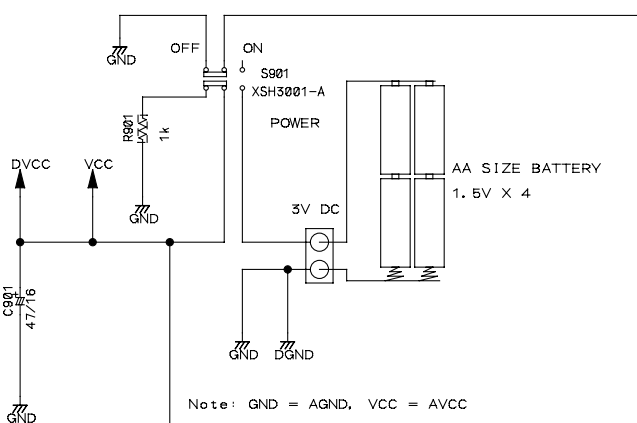
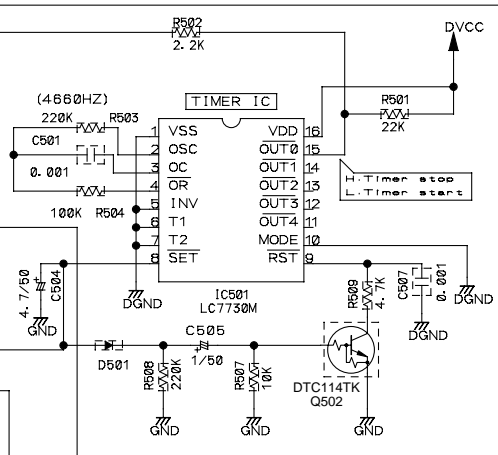
**MUSIC PAD ASSY
 (XWM3119)**



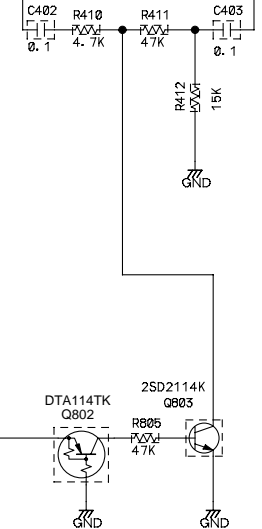
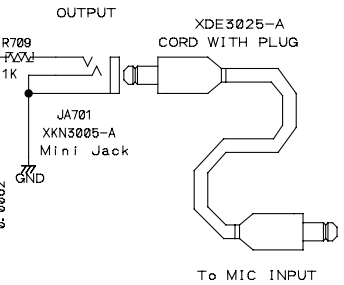
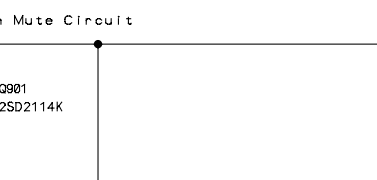
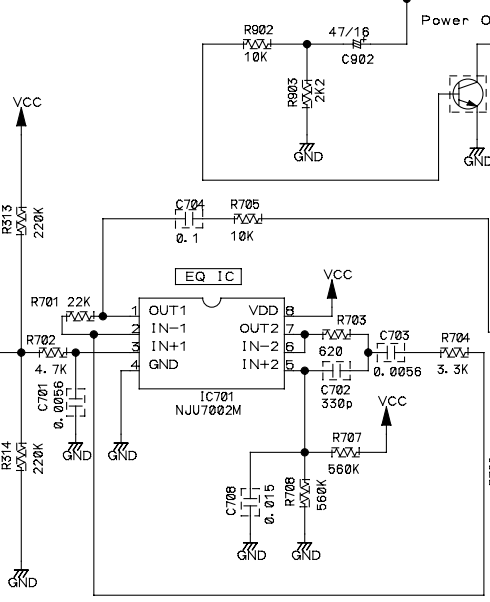
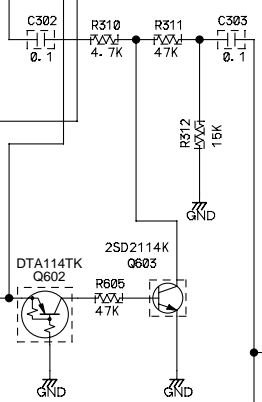
Note: D301 - D307, D401 - D403 are DAN202K
 D309, D404 - D406, D408, are DAP202K
 Others are 1SS555
 S301 - S311 and S401 - S410 are carbon contact rubber switches.
 All capacitors are in uF, unless otherwise specified.
 All resistors are in Ohm, unless otherwise specified.

Note : When ordering service parts, be sure to refer to "EXPLODED VIEWS and PARTS LIST" or "PCB PARTS LIST"

Timer Circuit for Auto Shut Off



Note: GND = AGND, VCC = AVCC

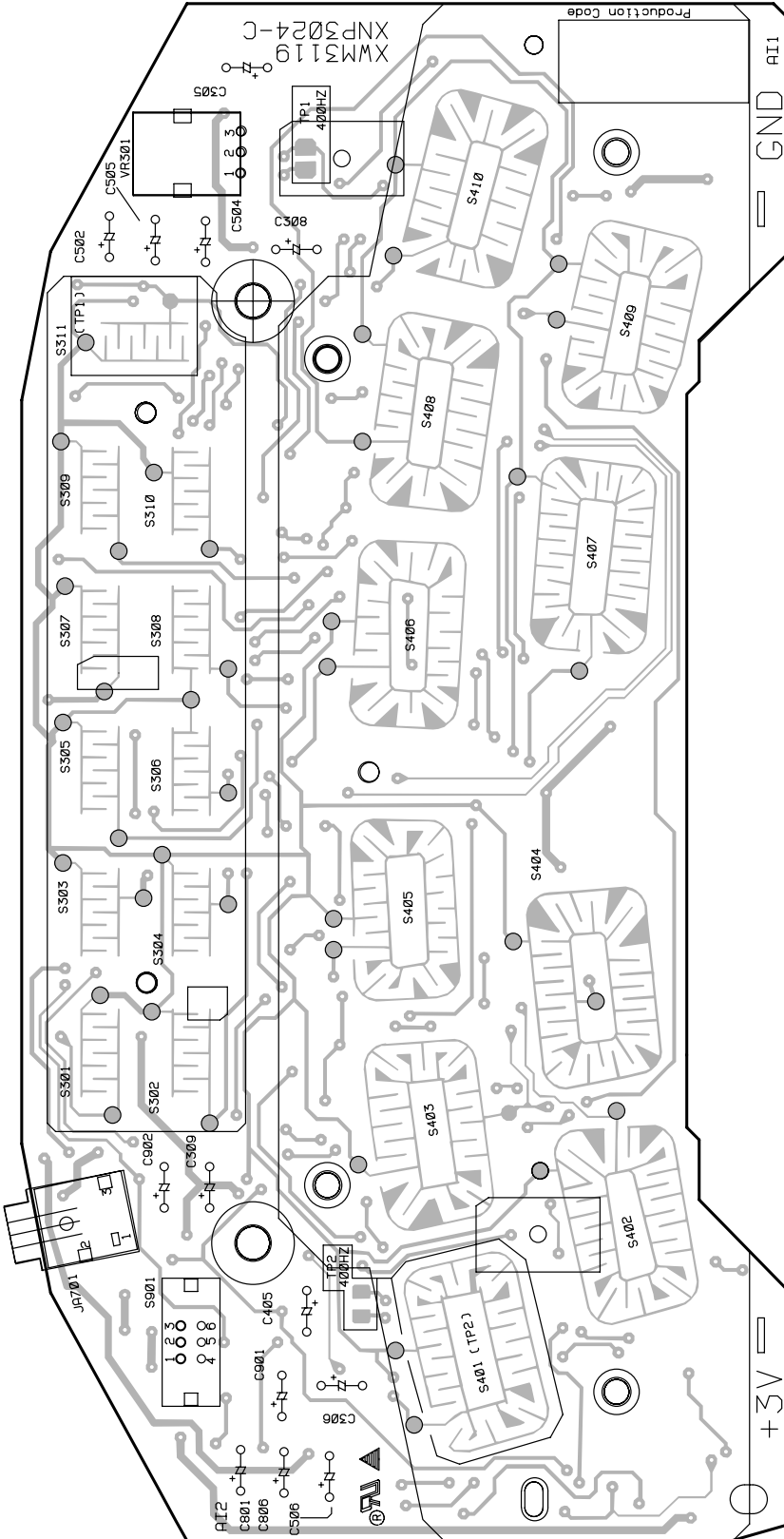


- S301 : SALSA HOUSE
- S302 : R&B
- S303 : HI NRG
- S304 : HIP HOP
- S305 : TECHNO
- S306 : REGGAE
- S307 : DRUM'N BASS
- S308 : DISCO
- S309 : LATIN SALSA
- S310 : TRIBAL
- S311 : STOP
- S401 : ALRIGHT
- S402 : SCRATCH NOISE
- S403 : COME ON
- S404 : HAND CLAPS
- S405 : LET'S GO
- S406 : WOW
- S407 : RECORD BRAKE
- S408 : YEAH
- S409 : WHISTLE
- S410 : BRASS SHOT
- S901 : POWER ON/OFF

3.4 PCB CONNECTION DIAGRAM

3.4.1 MUSIC PAD ASSY

KF MUSIC PAD ASSY

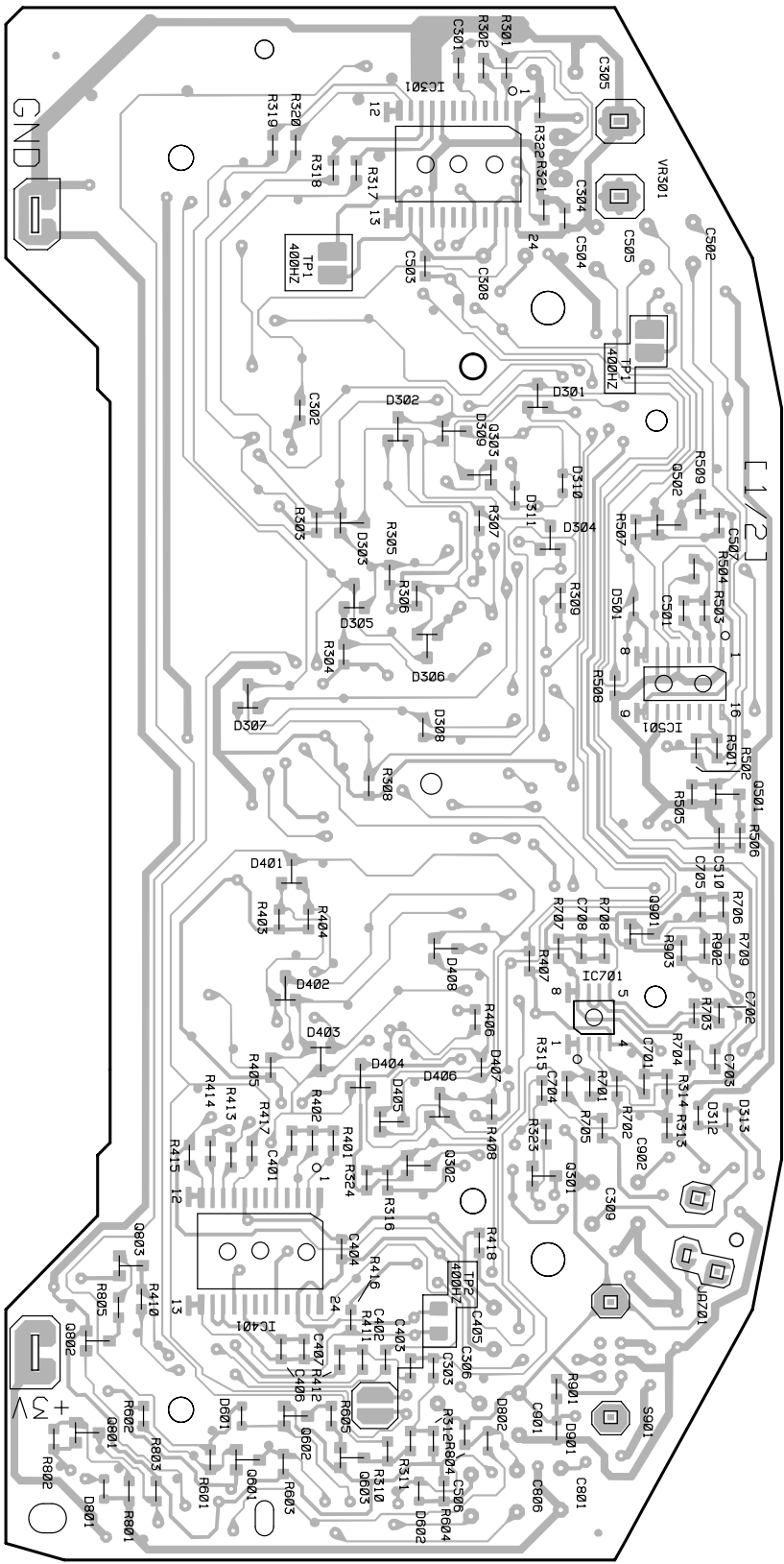


VR301

(XNP3024-C)

SIDE A

KF MUSIC PAD ASSY



- IC301
- Q303
- Q502
- IC501
- Q501
- Q901
- IC701
- Q302
- Q301
- IC401
- Q803
- Q802
- Q602
- Q801
- Q601
- Q603

(XNP3024-C)

SIDE B