

Service Manual

Pioneer



ORDER NO.
RRV2502

STEREO CD CASSETTE DECK RECEIVER

XR-A790 XR-A390

THIS MANUAL IS APPLICABLE TO THE FOLLOWING MODEL(S) AND TYPE(S).

Type	Model		Power Requiremen	The voltage can be converted by the following method.
	XR-A790	XR-A390		
DBDXJ	○	○	AC110-127V/220-230V/240V	With the voltage selector
DDXJ/AR	○	○	AC110-127V/220-230V/240V	With the voltage selector
YPWXJ	○	○	AC240V	_____

● This service manual should be used together with the following manual(s):

Model No.	Order No.	Remarks
XR-A6800/MYXJ XR-A4800/MYXJ	RRV2328	

CONTENTS

1. SAFETY INFORMATION	2
2. CONTRAST OF MISCELLANEOUS PARTS	3
3. SCHEMATIC DIAGRAM	17
4. PCB CONNECTION DIAGRAM	23
5. ADJUSTMENT	24

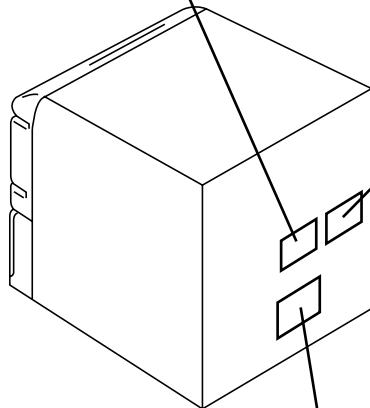
1. SAFETY INFORMATION

LABEL CHECK

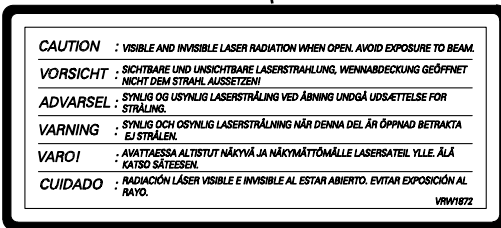
Printed on the Rear Panel
(Except XR-A390/DBDXJ)



DBDXJ and YPWXJ TYPES



DDXJ/AR TYPE



— IMPORTANT —
THIS PIONEER APPARATUS CONTAINS LASER OF CLASS 1. SERVICING OPERATION OF THE APPARATUS SHOULD BE DONE BY A SPECIALLY INSTRUCTED PERSON.

— LASER DIODE CHARACTERISTICS —
MAXIMUM OUTPUT POWER: 5 mW
WAVELENGTH: 780 - 785 nm

— Additional Laser Caution —

1. Laser Interlock Mechanism
The position of the switch (S9501) for detecting loading state is detected by the system microprocessor, and the design prevents laser diode oscillation when the switch (S9501) is pressed physically. Thus, the interlock will no longer function if the switch (S9501) is released physically and deliberately. The interlock also does not function in the test mode *. Laser diode oscillation will continue, if pin 1 of CXA1821M (IC8101) on the CD ASSY mounted on the \$M Loading Mechanism assembly is connected to GND, or else the terminals of Q8101 are shorted to each other (fault condition).
2. When the cover is opened, close viewing of the objective lens with the naked eye will cause exposure to a Class 1 laser beam.

* : Refer to page 61 on the service manual RRV2328.

2. CONTRAST OF MISCELLANEOUS PARTS

NOTES: ● Parts marked by "NSP" are generally unavailable because they are not in our Master Spare Parts List.

● The Δ mark found on some component parts indicates the importance of the safety factor of the part.

Therefore, when replacing, be sure to use parts of identical designation.

● Screws adjacent to ∇ mark on product are used for disassembly.

● Reference Nos. indicate the pages and Nos. in the service manual for the base model.

● When ordering resistors, first convert resistance values into code form as shown in the following examples.

Ex.1 When there are 2 effective digits (any digit apart from 0), such as 560 ohm and 47k ohm (tolerance is shown by J=5%, and K=10%).

560 \rightarrow 56 x 10¹ \rightarrow 561 RD1/APU $\boxed{5}\boxed{6}\boxed{1}J$

47k \rightarrow 47 x 10³ \rightarrow 473 RD1/APU $\boxed{4}\boxed{7}\boxed{3}J$

0.5 \rightarrow R50 RN2HR $\boxed{5}\boxed{0}K$

1 \rightarrow 1R0 RS1P $\boxed{1}\boxed{R}\boxed{0}K$

Ex.2 When there are 3 effective digits (such as in high precision metal film resistors).

5.62k \rightarrow 562 x 10¹ \rightarrow 5621 RN1/APC $\boxed{5}\boxed{6}\boxed{2}\boxed{1}F$

■ CONTRAST TABLE for XR-A790

XR-A790/DBDXJ, DDXJ/AR, YPWXJ and XR-A6800/MYXJ are constructed the same except for the following :

Ref. No.	Mark	Symbol and Description	Part No.				Remarks
			XR-A6800 /MYXJ	XR-A790 /DBDXJ	XR-A790 /DDXJ/AR	XR-A790 /YPWXJ	
P5- 1		PCB ASSEMBLIES					
		MAIN ASSY	XWM3163	XWM3161	XWM3161	XWM3161	
		└ AF ASSY	XWZ3310	XWZ3303	XWZ3303	XWZ3303	
P5- 3		COMPLEX ASSY	XWM3168	AWM7613	AWM7613	AWM7614	
		└ PRIMARY ASSY	XWZ3312	XWZ3291	XWZ3291	XWZ3294	
P7- 1		└ DISPLAY ASSY	XWZ3311	AWU7797	AWU7797	AWU7797	
P5- 4		FM/AM TUNER Module	AXQ7068	AXQ7065	AXQ7065	AXQ7065	
P3- 1	Δ	PACKING SECTION					
		Power Cord	ADG1154	ADG1158	ADG1158	ADG1160	
P3- 2		FM Antenna	ADH7005	ADH7004	ADH7004	ADH7004	
P3- 6	NSP	Dry Cell Battery (R6P, AA)	VEM-013	Not used	Not used	VEM-013	
P3- 8		Front Pad	XHA3018	XHA3028	XHA3028	XHA3028	
P3- 9		Rear Pad	XHA3019	XHA3029	XHA3029	XHA3029	
P3-10	NSP	Packing Case	XHD3143	XHD3272	XHD3292	XHD3273	
P3-11		Warranty Card	ARY7022	Not used	Not used	ARY7047	
P3-13		Operating Instructions (English/French)	XRE3030	Not used	Not used	XRE3046	
P3-14		Operating Instructions (Italian/Dutch/German)	XRC3020	Not used	Not used	Not used	
P3-15	NSP	Operating Instructions (Portuguese/Swedish/Spanish)	XRC3021	Not used	Not used	Not used	
P3-16		Polyethylene Bag	Not used	Not used	Not used	AHG7033	
		Operating Instructions (English/Chinese/Spanish)	Not used	XRE3048	XRE3048	Not used	
	Δ	Power Cord	Not used	Not used	XDG3009	Not used	Accessories
	Δ	Power-cord Plug Conversion Adapter	Not used	XKM3002	XKM3002	Not used	
		Caution Sheet AR	XRH3004	Not used	XRH3002	Not used	
P5- 6	Δ	EXTERIOR SECTION					
		Ceramic Capacitor (C1)	CKPUYB102K50	Not used	Not used	Not used	
P5-15		Rear Panel	XNC3058	XNC3125	XNC3125	XNC3126	
P5-17		Earth Plate	XNG3015	Not used	Not used	Not used	
P5-26		Tray Cap	XAK3156	XAK3236	XAK3236	XAK3236	
		Tray Panel CD	Not used	XAK3235	XAK3235	XAK3235	For Tray Cap
P5-30	NSP	Caution Label HE	PRW1233	Not used	Not used	Not used	
P5-31		Caution Label	VRW1094	PRW1018	VRW1872	PRW1018	
P5-36		Getter	XAX3169	XAX3267	XAX3267	XAX3266	
P5-44		Barrier	XEC3013	XEC3027	XEC3027	XEC3027	
		Rear Sheet	AED7037	Not used	Not used	Not used	

XR-A790, XR-A390

Ref. No.	Mark	Symbol and Description	Part No.				Remarks
			XR-A6800 /MYXJ	XR-A790 /DBDXJ	XR-A790 /DDXJ/AR	XR-A790 /YPWXJ	
	△ NSP	Fuse (FU2, FU3 : T3.15A) Fuse Card (For FU2, FU3) Name Label	Not used Not used Not used	AEK1059 AAK7493 Not used	AEK1059 AAK7493 XAL3095	Not used Not used Not used	*1 *2 *3
FRONT PANEL SECTION							
P7-18		Volume Knob	XAA3013	XAA3022	XAA3022	XAA3022	
P7-21		FUNC Button L	XAD3050	XAD3111	XAD3111	XAD3111	No.8
		FUNC Cap L	Not used	XAK3247	XAK3247	XAK3247	No.7
P7-22		FUNC Button R	XAD3051	XAD3112	XAD3112	XAD3112	No.10
		FUNC Cap R	Not used	XAK3248	XAK3248	XAK3248	No.9
P7-23		FUNC Frame L	XAD3052	Not used	Not used	Not used	
P7-24		FUNC Frame R	XAD3053	Not used	Not used	Not used	
P7-25		CD ENT Button	XAD3055	XAD3109	XAD3109	XAD3109	No.12
P7-26		Display Panel	XAK3130	XAK3265	XAK3265	XAK3265	
P7-27		EQ Panel	XAK3150	Not used	Not used	Not used	
		SC Panel	Not used	XAK3245	XAK3245	XAK3245	No.26
		SC Panel Assy	Not used	XXG3089	XXG3089	XXG3089	No.13
P7-28		JOG Lens	XAK3152	XAK3243	XAK3243	XAK3243	No.23
P7-29		V Lens	XAK3153	XAK3237	XAK3237	XAK3237	
P7-33		FL Cover	XAK3163	XAK3239	XAK3239	XAK3239	
P7-34		Cover Sheet L	XAK3184	Not used	Not used	Not used	
P7-35		Cover Sheet R	XAK3185	Not used	Not used	Not used	
		LED Barrier	Not used	XEC3022	XEC3022	XEC3022	No.24
P7-36		Power Button	XAD3044	XAD3102	XAD3102	XAD3102	No.17
P7-37		CD Button	XAD3045	XAD3104	XAD3104	XAD3104	No.19
P7-38		SC Button	XAD3046	Not used	Not used	Not used	
		SC Button L	Not used	XAD3105	XAD3105	XAD3105	No.29
		SC Cap L	Not used	XAK3241	XAK3241	XAK3241	No.27
		SC Button R	Not used	XAD3106	XAD3106	XAD3106	No.30
		SC Cap R	Not used	XAK3267	XAK3267	XAK3267	No.28
		ASES Button	Not used	XAD3114	XAD3114	XAD3114	No.20
		Timer Button	Not used	XAD3115	XAD3115	XAD3115	No.21
P7-39		SC Button L	XAD3047	Not used	Not used	Not used	
		Audio Button	Not used	XAD3107	XAD3107	XAD3107	No.14
P7-40		SC Button R	XAD3048	Not used	Not used	Not used	
		Visual Button	Not used	XAD3108	XAD3108	XAD3108	No.15
P7-41		DOLBY Button	XAD3054	XAD3120	XAD3120	XAD3120	No.11
P7-42		Sub Panel	XAK3199	XAK3255	XAK3255	XAK3255	No.6
P7-43		Standby Lens	XAK3151	XAK3240	XAK3240	XAK3240	No.18
P7-44		Deck Lens L	XAK3159	XAK3249	XAK3249	XAK3249	No.3
P7-45		Deck Lens R	XAK3160	XAK3250	XAK3250	XAK3250	No.5
P7-46		JOG Conductor	XAK3165	XAK3244	XAK3244	XAK3244	No.22
P7-47		Deck Door_L	XAN3022	XAN3037	XAN3037	XAN3037	No.2
P7-48		Deck Door_R	XAN3026	XAN3038	XAN3038	XAN3038	No.4
P7-49		Front Panel	XMB3026	XMB3056	XMB3056	XMB3056	No.1
		O/C Button	Not used	XAD3103	XAD3103	XAD3103	No.16
P7-52		Spacer	XEB3012	Not used	Not used	Not used	
P7-53		Spacer	XEB3013	Not used	Not used	Not used	
		Cushion Spacer	XEB3015	Not used	Not used	Not used	
		Cushion Spacer	XEB3016	Not used	Not used	Not used	
		Cushion Spacer	XEB3017	Not used	Not used	Not used	
		Spacer	XEC3014	Not used	Not used	Not used	
		Spacer	XEC3019	Not used	Not used	Not used	

Notes : For PCB ASSEMBLIES, Refer to "CONTRAST OF PCB ASSEMBLIES", "3. SCHEMATIC DIAGRAM" and "4. PCB CONNECTION DIAGRAM".

The numbers in the remarks column correspond to the numbers on the "FRONT PANEL ASSY".

*1 Refer to "3. SCHEMATIC DIAGRAM".

*2 Stick Fuse Card on the PRIMARY ASSY.

*3 Stick Name Label on the Rear Panel.

■ **CONTRAST TABLE for XR-A390**

XR-A390/DBDXJ, DDXJ/AR, YPWXJ and XR-A4800/MYXJ are constructed the same except for the following :

Ref. No.	Mark	Symbol and Description	Part No.				Remarks
			XR-A4800 /MYXJ	XR-A390 /DBDXJ	XR-A390 /DDXJ/AR	XR-A390 /YPWXJ	
PCB ASSEMBLIES							
P5- 1		MAIN ASSY └ AF ASSY	XWM3152 XWZ3297	XWM3151 XWZ3288	XWM3151 XWZ3288	XWM3151 XWZ3288	
P5- 3 P7- 1		COMPLEX ASSY └ PRIMARY ASSY └ DISPLAY ASSY	XWM3158 XWZ3299 XWZ3298	AWM7606 XWZ3291 AWU7791	AWM7606 XWZ3291 AWU7791	AWM7607 XWZ3294 AWU7791	
P5- 4		FM/AM TUNER Module	AXQ7068	AXQ7065	AXQ7065	AXQ7065	
PACKING SECTION							
P3- 1 P3- 2 P3- 6 P3- 8 P3- 9	△ NSP	Power Cord FM Antenna Dry Cell Battery (R6P, AA) Front Pad Rear Pad	ADG1154 ADH7005 VEM-013 XHA3018 XHA3019	ADG1158 ADH7004 Not used XHA3028 XHA3029	ADG1158 ADH7004 Not used XHA3028 XHA3029	ADG1160 ADH7004 Not used XHA3028 XHA3029	
P3-10 P3-11 P3-13 P3-14	NSP	Packing Case Warranty Card Operating Instructions (English/French) Operating Instructions (Italian/Dutch/German)	XHD3142 ARY7022 XRE3030 XRC3020	XHD3265 Not used Not used Not used	XHD3293 Not used Not used Not used	XHD3263 ARY7047 XRE3046 Not used	
P3-15 P3-16	NSP	Operating Instructions (Portuguese/Swedish/Spanish) Polyethylene Bag Operating Instructions (English/Chinese/Spanish)	XRC3021 Not used Not used	Not used Not used XRE3048	Not used Not used XRE3048	Not used AHG7033 Not used	
	△ △	Power Cord Power-cord Plug Conversion Adapter Caution Sheet	Not used Not used XRH3004	Not used XKM3002 Not used	XDG3009 XKM3002 XRH3002	Not used Not used Not used	Accessories
EXTERIOR SECTION							
P5- 6 P5-15 P5-17 P5-26	△	Ceramic Capacitor (C1) Rear Panel Earth Plate Tray Cap Tray Panel CD	CKPUYB102K50 XNC3053 XNG3015 XAK3156 Not used	Not used XNC3122 Not used XAK3236 XAK3269	Not used XNC3130 Not used XAK3236 XAK3269	Not used XNC3120 Not used XAK3236 XAK3269	For Tray Cap
P5-30 P5-31 P5-36 P5-44	NSP	Caution Label HE Caution Label Getter Barrier Rear Sheet	PRW1233 VRW1094 XAX3163 XEC3013 AED7037	Not used PRW1018 XAX3263 XEC3027 Not used	Not used VRW1872 XAX3263 XEC3027 Not used	Not used PRW1018 XAX3262 XEC3027 Not used	
	△	Fuse (FU2, FU3 : T2A)	Not used	AEK1057	AEK1057	Not used	*1
FRONT PANEL SECTION							
P7- 3 P7- 5 P7- 5 P7-18 P7-21		Deck Mechanism Unit Flexible Cable 15P Flexible Cable 13P Volume Knob FUNC Button L	XYM3012 XDD3050 Not used XAA3013 XAD3076	XYM3011 Not used XDD3040 XAA3022 XAD3116	XYM3011 Not used XDD3040 XAA3022 XAD3116	XYM3011 Not used XDD3040 XAA3022 XAD3116	*2 No.8
P7-22		FUNC Cap L FUNC Button R FUNC Cap R	Not used XAD3077 Not used	XAK3247 XAD3117 XAK3248	XAK3247 XAD3117 XAK3248	XAK3247 XAD3117 XAK3248	No.7 No.10 No.9
P7-23 P7-24		FUNC Frame L FUNC Frame R	XAD3052 XAD3053	Not used Not used	Not used Not used	Not used Not used	

XR-A790, XR-A390

Ref. No.	Mark	Symbol and Description	Part No.				Remarks
			XR-A4800 /MYXJ	XR-A390 /DBDXJ	XR-A390 /DDXJ/AR	XR-A390 /YPWXJ	
P7-25		CD ENT Button	XAD3055	XAD3109	XAD3109	XAD3109	No.12
P7-26		Display Panel	XAK3125	XAK3262	XAK3262	XAK3262	
P7-27		EQ Panel	XAK3149	Not used	Not used	Not used	
		SC Panel	Not used	XAK3245	XAK3245	XAK3245	No.26
		SC Panel Assy	Not used	XXG3089	XXG3089	XXG3089	No.13
P7-28		JOG Lens	XAK3152	XAK3243	XAK3243	XAK3243	No.23
P7-29		V Lens	XAK3153	XAK3237	XAK3237	XAK3237	
P7-33		FL Cover	XAK3163	XAK3239	XAK3239	XAK3239	
P7-34		Cover Sheet L	XAK3184	Not used	Not used	Not used	
P7-35		Cover Sheet R	XAK3185	Not used	Not used	Not used	
		LED Barrier	Not used	XEC3022	XEC3022	XEC3022	No.24
P7-36		Power Button	XAD3043	XAD3102	XAD3102	XAD3102	No.17
P7-37		CD Button	XAD3045	XAD3104	XAD3104	XAD3104	No.19
P7-38		SC Button	XAD3046	Not used	Not used	Not used	
		SC Button L	Not used	XAD3105	XAD3105	XAD3105	No.29
		SC Cap L	Not used	XAK3241	XAK3241	XAK3241	No.27
		SC Button R	Not used	XAD3106	XAD3106	XAD3106	No.30
		SC Cap R	Not used	XAK3267	XAK3267	XAK3267	No.28
		ASES Button	Not used	XAD3114	XAD3114	XAD3114	No.20
		Timer Button	Not used	XAD3115	XAD3115	XAD3115	No.21
P7-39		SC Button L	XAD3047	Not used	Not used	Not used	
		Audio Button	Not used	XAD3107	XAD3107	XAD3107	No.14
P7-40		SC Button R	XAD3048	Not used	Not used	Not used	
		Visual Button	Not used	XAD3108	XAD3108	XAD3108	No.15
P7-41		DOLBY Button	XAD3054	XAD3113	XAD3113	XAD3113	No.11
P7-42		Sub Panel	XAK3196	XAK3255	XAK3255	XAK3255	No.6
P7-43		Standby Lens	XAK3151	XAK3240	XAK3240	XAK3240	No.18
P7-44		Deck Lens L	XAK3159	XAK3249	XAK3249	XAK3249	No.3
P7-45		Deck Lens R	XAK3160	XAK3250	XAK3250	XAK3250	No.5
P7-46		JOG Conductor	XAK3165	XAK3244	XAK3244	XAK3244	No.22
P7-47		Deck Door_L	XAN3021	XAN3041	XAN3041	XAN3041	No.2
P7-48		Deck Door_R	XAN3025	XAN3042	XAN3042	XAN3042	No.4
P7-49		Front Panel	XMB3026	XMB3056	XMB3056	XMB3056	No.1
		O/C Button	Not used	XAD3103	XAD3103	XAD3103	No.16
P7-52		Spacer	XEB3012	Not used	Not used	Not used	
P7-53		Spacer	XEB3013	Not used	Not used	Not used	
P7-56		Connector Assy 3P	XDE3037	XDE3036	XDE3036	XDE3036	
		Cushion Spacer	XEB3015	Not used	Not used	Not used	
		Cushion Spacer	XEB3016	Not used	Not used	Not used	
		Cushion Spacer	XEB3017	Not used	Not used	Not used	
		Spacer	XEC3014	Not used	Not used	Not used	
		Spacer	XEC3019	Not used	Not used	Not used	

Notes : For PCB ASSEMBLIES, Refer to "CONTRAST OF PCB ASSEMBLIES", "3. SCHEMATIC DIAGRAM" and "4. PCB CONNECTION DIAGRAM".

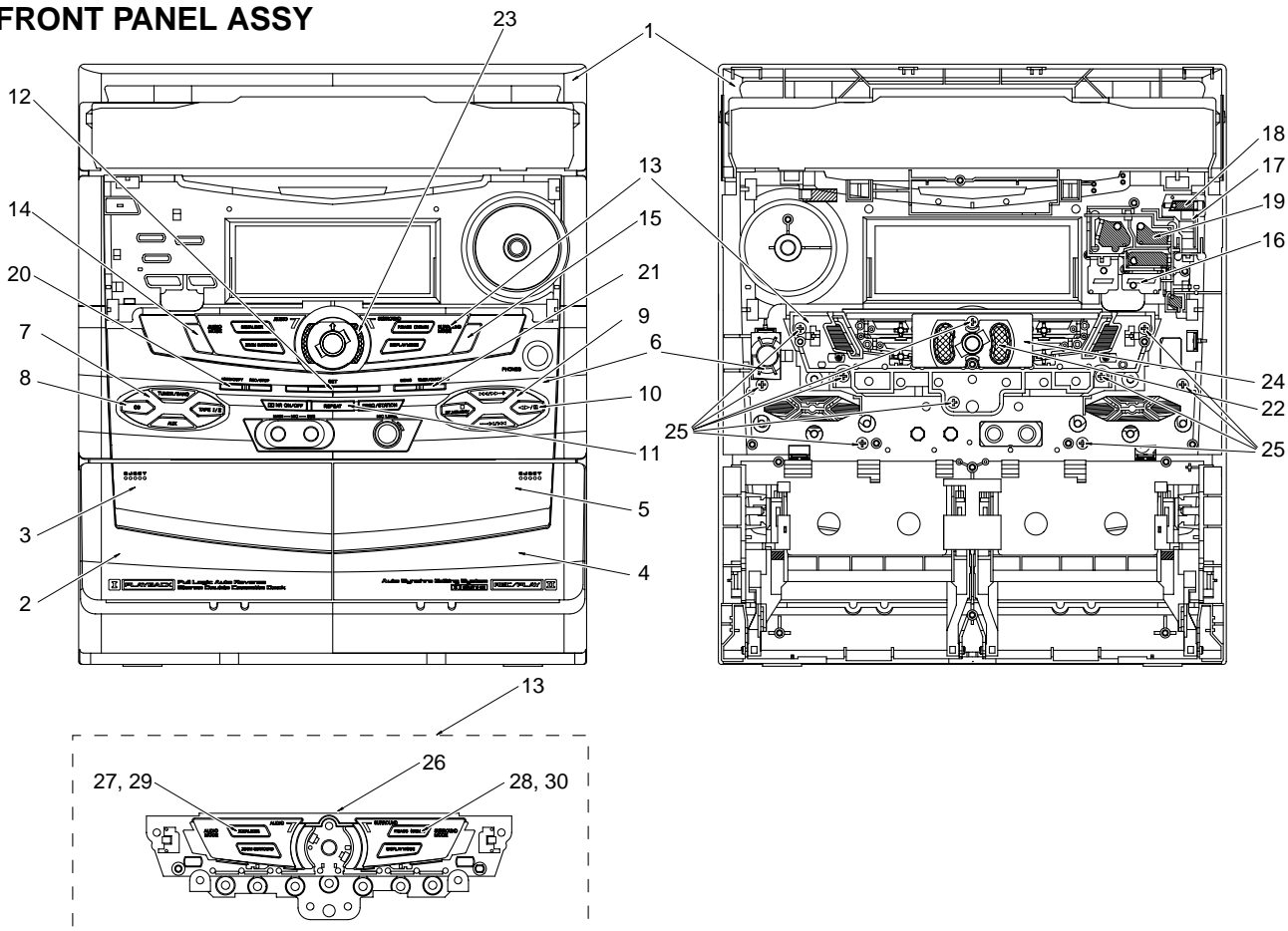
The numbers in the remarks column correspond to the numbers on the "FRONT PANEL ASSY".

*1 Refer to "3. SCHEMATIC DIAGRAM".

*2 Refer to "EXPLODED VIEWS".

■ EXPLODED VIEWS

● FRONT PANEL ASSY



(1) FRONT PANEL ASSY PARTS LIST

Mark	No.	Description	Part No.	Mark	No.	Description	Part No.
	1	Front Panel	XMB3056		16	O/C Button	XAD3103
	2	Deck Door_L	See Contrast table (2)		17	Power Button	XAD3102
	3	Deck Lens L	XAK3249		18	Standby Lens	XAK3240
	4	Deck Door_R	See Contrast table (2)		19	CD Button	XAD3104
	5	Deck Lens R	XAK3250		20	ASES Button	XAD3114
	6	Sub Panel	XAK3255		21	Timer Button	XAD3115
	7	FUNC Cap L	XAK3247		22	JOG Conductor	XAK3244
	8	FUNC Button L	See Contrast table (2)		23	JOG Lens	XAK3243
	9	FUNC Cap R	XAK3248		24	LED Barrier	XEC3022
	10	FUNC Button R	See Contrast table (2)		25	Screw	BPZ30P100FZK
	11	DOLBY Button	See Contrast table (2)		26	SC Panel	XAK3245
	12	CD ENT Button	XAD3109		27	SC Cap L	XAK3241
	13	SC Panel Assy	XXG3089		28	SC Cap R	XAK3267
	14	Audio Button	XAD3107		29	SC Button L	XAD3105
	15	Visual Button	XAD3108		30	SC Button R	XAD3106

(2) CONTRAST TABLE

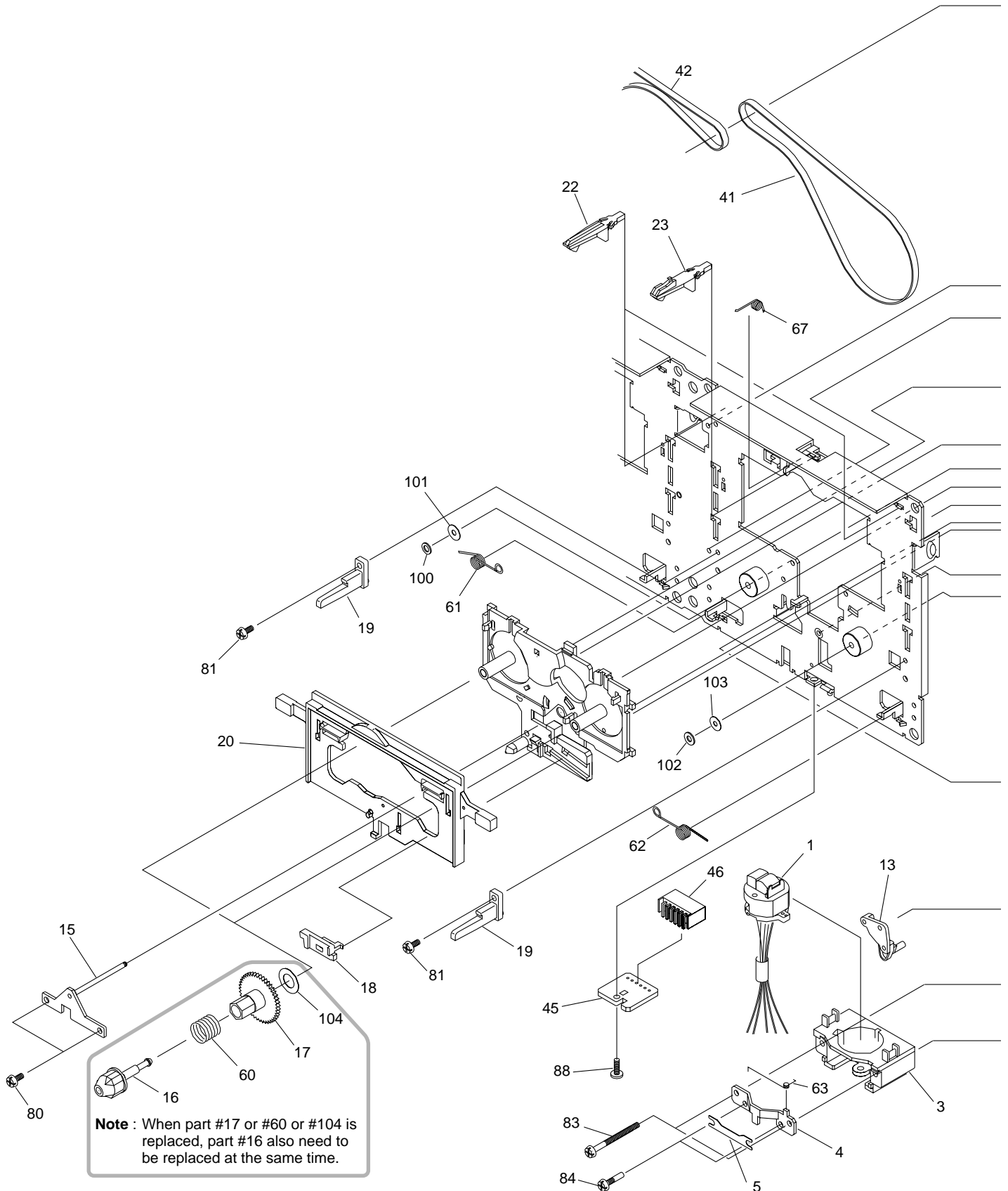
XR-A790 and XR-A390 are constructed the same except for the following :

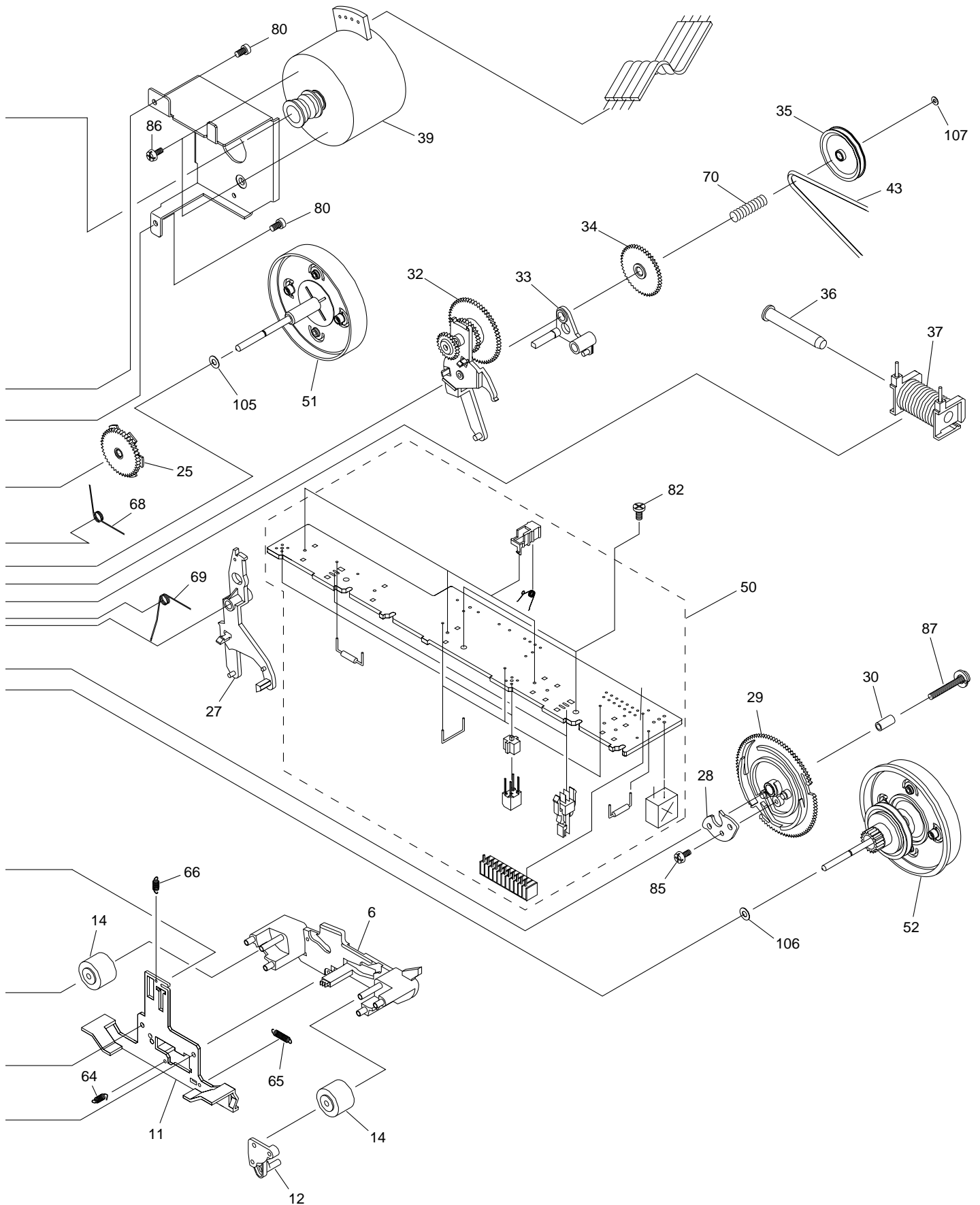
Mark	No.	Symbol and Description	Part No.		Remarks
			XR-A790	XR-A390	
	2	Deck Door_L	XAN3037	XAN3041	
	4	Deck Door_R	XAN3038	XAN3042	
	8	FUNC Button L	XAD3111	XAD3116	
	10	FUNC Button R	XAD3112	XAD3117	
	11	DOLBY Button	XAD3120	XAD3113	

XR-A790, XR-A390

● DECK MECHANISM UNIT SECTION (XYM3011)

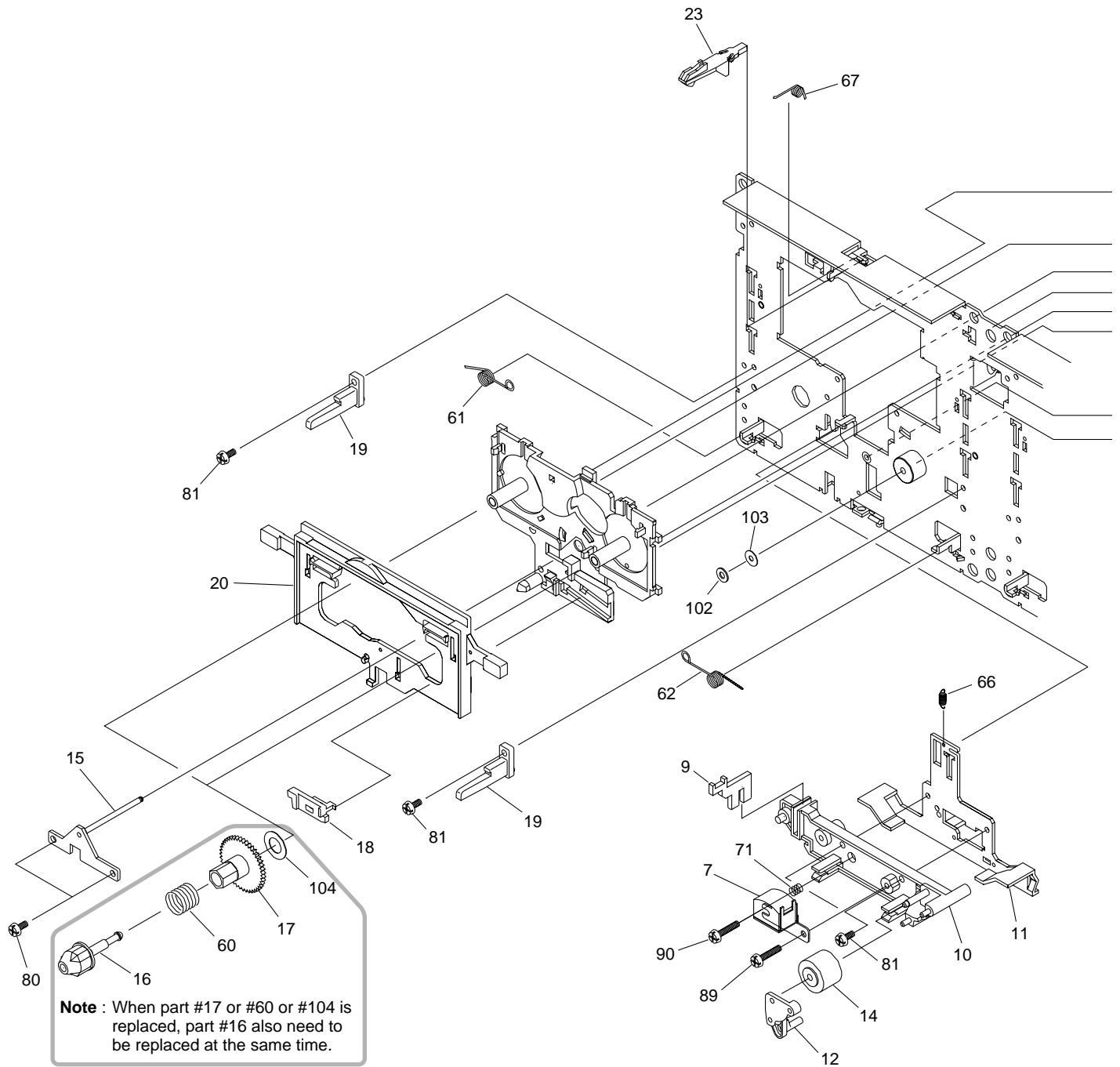
● DECK MECHANISM UNIT (1/2)

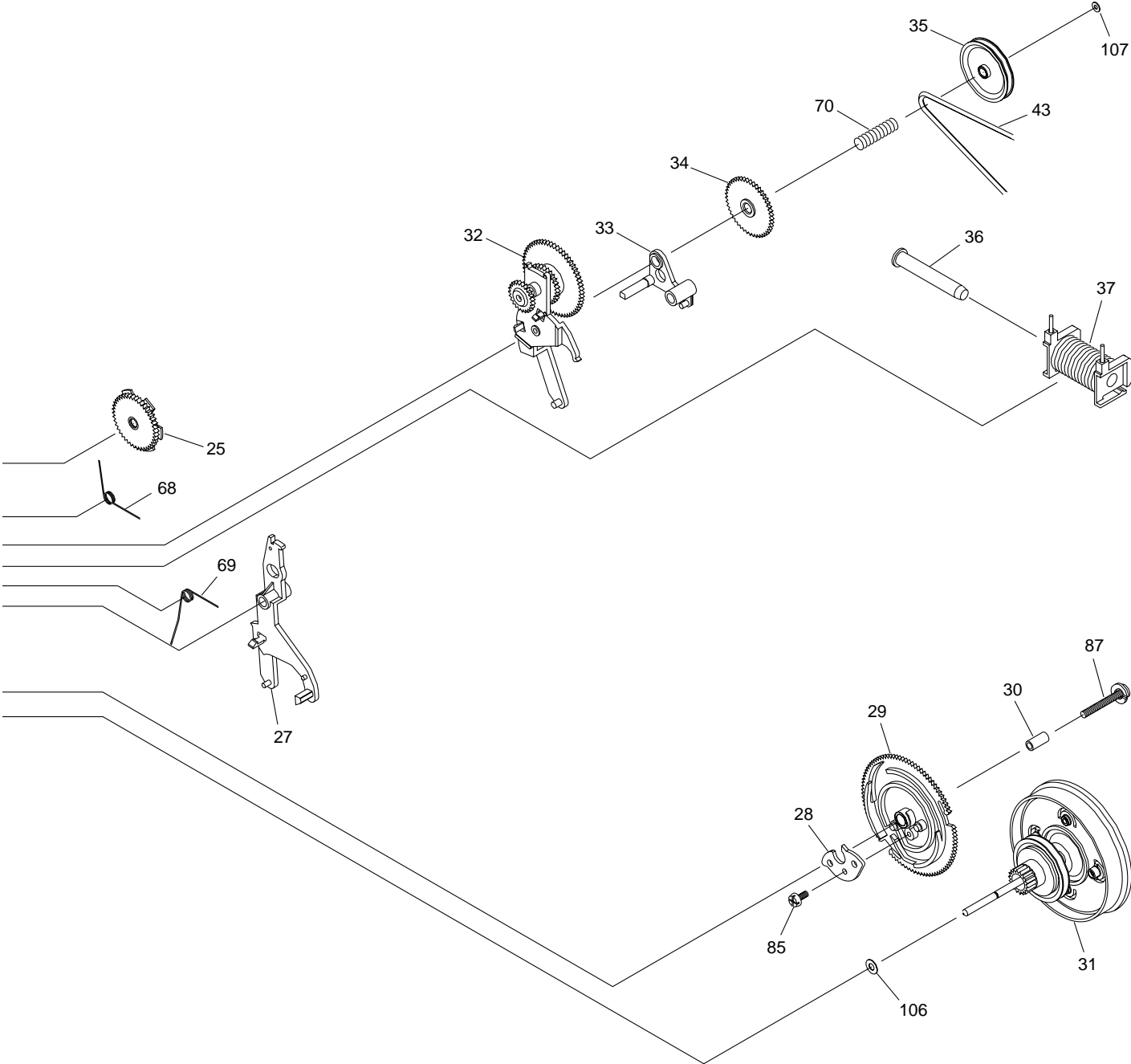




XR-A790, XR-A390

• DECK MECHANISM UNIT (2/2)





XR-A790, XR-A390

● DECK MECHANISM UNIT PARTS LIST

Mark	No.	Description	Part No.	Mark	No.	Description	Part No.
	1	Assy'y HD Holder	50-093-4373		60	Spring	01-081-4601
	3	Frame HD	50-219-3024				
	4	Plate AZ	50-119-4046		61	Spring	01-082-4652
	5	Spring AZ	50-160-4108		62	Spring	01-082-4651
					63	Spring	01-082-4650
	6	Lever HD	50-259-3342		64	Spring	01-080-4649
	7	R/P Head	TC881CB067B		65	Spring	01-080-4607
	9	Guide Tape	50-219-4038				
	10	Plate HD	50-093-3036		66	Spring	01-080-4635
					67	Spring	01-082-4654
	11	Chassis HD	50-112-3045		68	Spring	01-082-4598
	12	Cap Pinch R	50-219-4033		69	Spring	01-082-4597
	13	Cap Pinch L	50-219-4034		70	Spring	01-081-4657
	14	Roller Pinch	50-027-41054				
	15	Ass'y Plate D	50-219-4311		71	Spring	01-081-4605
	16	Cap Reel	50-228-4020		80	Screw	GSE10A2003
	17	Gear Reel	50-222-4006				
	18	Lever ST	50-259-4041		81	Screw	GSE20A2005
	19	Guide C	50-219-4014		82	Screw	GSE10A2004
	20	Lever Brake	50-259-3251		83	Screw	GSD10A2018
					84	Screw	03-300-4056
	22	Arm SW	50-239-4027		85	Screw	GSL10A1704
	23	Arm CS	50-239-4026				
	25	Ass'y Cover	50-093-4063		86	Screw	GSP10A2603
					87	Screw	GSP11A2012
	27	Arm Trigger	50-268-3016		88	Screw	GSE20A2004
	28	Arm Cam	50-139-4292		89	Screw	GSL20A2005
	29	Gear Cam	50-221-3009		90	Screw	03-300-4127
	30	Coller	03-300-4455				
					100	Washer	GWN21X040040
	31	Ass'y Flywheel RA	50-093-3360				
	32	Ass'y Clutch	50-093-4069		101	Washer	GWM19X055035S
	33	Arm UD A	50-239-4017		102	Washer	GWM19S035035
	34	Gear UD	50-222-4007		103	Washer	GWM17S050035S
	35	Pulley D	50-223-4254		104	Washer	GWM48X075010
					105	Washer	GWP23X040020
	36	Plunger	03-300-4442				
	37	Ass'y Bobbin	50-093-4125		106	Washer	GWP21X045020
	39	Ass'y Motor	50-093-4316		107	Washer	GWP12X030040S
	41	Belt BR	02-084-4205				
	42	Belt AF	02-084-4202				
	43	Belt FR	02-083-4188				
	45	PCB HD	50-070-4057				
	46	Housing	S5BPHKS				
	50	Ass'y PCB	50-093-4057				
	51	Ass'y Flywheel L	50-093-3315				
	52	Ass'y Flywheel RB	50-093-3361				

■ CONTRAST OF PCB ASSEMBLIES

F AF ASSY

XWZ3303 and XWZ3310 are constructed the same except for the following :

Mark	Symbol and Description	Part No.		Remarks
		XWZ3310	XWZ3303	
	IC5751	BU1923F	Not used	
	Q5751	2SA1037K	Not used	
	Q5752	DTC124EK	Not used	
	L3333, L3334	ATH-133	Not used	
	L3991	Not used	XTL3001	
	L5751	XTL3002	Not used	
	C1997, C3329, C3330	CKSRYB103K50	Not used	
	C2003, C2004	CKSRYB104K16	Not used	
	C2327-C2330, C3321, C3322, C3852, C3854	CCSRCH470J50	Not used	
	C3001, C3002, C3858	CCSRCH101J50	Not used	
	C3023, C3024	CFTLA564J50	CFTLA474J50	
	C3025, C3026	CKSRYB104K16	CKSRYB683K16	
	C3027, C3028	CFTLA334J50	CFTLA154J50	
	C3029, C3030	CKSRYB563K16	CKSRYB273K16	
	C3043, C3044, C3082	CEATR47M50	CEAT2R2M50	
	C3051, C3052, C3851, C3853, C3855	CKSRYB472K50	Not used	
	C3073-C3076	CKSRYB122K50	Not used	
	C3081	CEAT4R7M50	CEAT100M50	
	C3091	CEAT2R2M50	CEAT100M50	
	C3319, C3320	CCSRCH6R0D50	CCSRCJ3R0C50	
	C3335-C3338	CKSRYF104Z50	Not used	
	C3345, C3346 (0.01μF)	ACG7021	Not used	
	C3447, C3448, C3991, C5753	CKSRYB102K50	Not used	
	C3850	CKSRYB473K16	Not used	
	C3994, C3995	CCSRCH681J50	Not used	
	C5751, C5752, C5755	CCSRCH270J50	Not used	
	C5754	CEAT330M16	Not used	
	C5756	CCSQCH561J50	Not used	
	C5757	CCSRCH271J50	Not used	
	C5758	CEAT100M50	Not used	
	R3333, R3334	RD1/4LMF101J	RD1/4LMF100J	
	R3335, R3336	RS1/16S100J	Not used	
	R3515-R3518	RS1/16S152J	RS1/16S122J	
	R5751	RS1/16S223J	Not used	
	R5752	RS1/16S222J	Not used	
	R5753	RS1/16S101J	Not used	
	R5754	RS1/16S102J	Not used	
	CN3331 4P SPEAKER TERMINAL	AKE7018	XKE3004	
	X5751 CRYSTAL RESONATOR (4.332MHz)	ASS7004	Not used	

XR-A790, XR-A390

F AF ASSY

XWZ3288 and XWZ3297 are constructed the same except for the following :

Mark	Symbol and Description	Part No.		Remarks
		XWZ3297	XWZ3288	
IC5751 Q5751 Q5752 L3333, L3334 L3991		BU1923F 2SA1037K DTC124EK ATH-133 Not used	Not used Not used Not used Not used XTL3001	
L5751 C1997, C3329, C3330 C2327-C2330, C3321, C3322, C3852, C3854 C3001, C3002, C3858 C3023, C3024		XTL3002 CKSRYP103K50 CCSRCH470J50 CCSRCH101J50 CFTLA564J50	Not used Not used Not used Not used CFTLA474J50	
C3025, C3026 C3027, C3028 C3029, C3030 C3043, C3044, C3082 C3051, C3052, C3853, C3855		CKSRYP104K16 CFTLA334J50 CKSRYP563K16 CEATR47M50 CKSRYP472K50	CKSRYP683K16 CFTLA154J50 CKSRYP273K16 CEATR2M50 Not used	
C3073-C3076 C3081 C3091 C3319, C3320 C3335-C3338		CKSRYP122K50 CEATR4R7M50 CEATR2R2M50 CCSRCH6R0D50 CKSRYP104Z25	Not used CEATR100M50 CEATR100M50 CCSRCH3R0C50 Not used	
C3345, C3346 (0.01μF) C3850 C3994, C3995 C5751, C5752, C5755 C5753		ACG7021 CKSRYP473K16 CCSRCH681J50 CCSRCH270J50 CKSRYP103K50	Not used Not used Not used Not used Not used	
C5754 C5756 C5757 C5758 R3333, R3334		CEATR330M16 CCSQCH561J50 CCSRCH271J50 CEATR100M50 RD1/4LMF101J	Not used Not used Not used Not used RD1/4LMF100J	
R3335, R3336 R3509 R3515-R3518 R5751 R5752		RS1/16S100J RS1/16S393J RS1/16S152J RS1/16S223J RS1/16S222J	Not used RS1/16S473J RS1/16S122J Not used Not used	
R5753 R5754 X5751	CRYSTAL RESONATOR (4.332MHz)	RS1/16S101J RS1/16S102J ASS7004	Not used Not used Not used	

HF PRIMARY ASSY

XWZ3291, XWZ3294 and XWZ3312 are constructed the same except for the following :

Mark	Symbol and Description	Part No.			Remarks
		XWZ3312	XWZ3291	XWZ3294	
△	S1 VOLTAGE SELECTOR	Not used	XKX3001	Not used	
	L1 LINE FILTER	ATF1136	Not used	Not used	
	H3-H6 FUSE CLIP	Not used	AKR7001	Not used	

UF DISPLAY ASSY

AWU7797, AWU7791 and XWZ3311 are constructed the same except for the following :

Mark	Symbol and Description	Part No.			Remarks
		XWZ3311	AWU7797	AWU7791	
	Q5656-Q5658	2SC2412K	2SC2412K	Not used	
	D5561, D5562	1SS181	1SS181	Not used	
	D5593	1SS133	1SS133	Not used	
	D5594	1SS355	Not used	Not used	
	D5595, D5596	1SS355	Not used	Not used	
	D5601-D5608, D5622	SLP3118C51H	SLR-343MC(NPQ)	Not used	
	D5610, D5611, D5615, D5616, D5904	SLP3118C51H	SLR-343MC(NPQ)	SLR-343MC(NPQ)	
	D5612, D5614	SLP6118C51H	SLR-343DC(NPQ)	SLR-343DC(NPQ)	
	D5617	SLP6118C51H	Not used	Not used	
	D5618	SLP3118C51H	Not used	Not used	
	D5619, D5620, D5903	SLP9118C51H	SLR-343VC(NPQ)	SLR-343VC(NPQ)	
	D5621	SLP6118C51H	SLR-343MC(NPQ)	Not used	
	D5652-D5655, D5657, D5658	1SS355	1SS355	Not used	
	D5902	SLP7118C51H	SLR-343PC(KLM)	SLR-343PC(KLM)	
	S5911, S5913, S5915-S5921, S5923-S5929	XSG3001	ASG1051	ASG1051	
	S5931-S5940	XSG3001	ASG1051	ASG1051	
	C3909	CKSRYB472K50	Not used	Not used	
	C3913	CCSRCH471J50	Not used	Not used	
	C3915	CCSRCH470J50	Not used	Not used	
	C3920, C3921	CCSRCH101J50	Not used	Not used	
	C3922	CKSRYB561K50	Not used	Not used	
	C3951, C3952	CKSRYB103K50	Not used	Not used	
	R3908	RS1/16S122J	RS1/16S101J	RS1/16S101J	
	R5518	RS1/16S102J	Not used	Not used	
	R5561, R5562	RS1/16S152J	RS1/16S152J	Not used	
	R5570, R5571	RS1/16S473J	RS1/16S473J	Not used	
	R5601, R5613, R5617	RD1/4PU151J	RD1/4PU151J	Not used	
	R5618, R5620, R5622	RS1/16S222J	RS1/16S222J	Not used	
	R5619, R5621, R5623	RS1/16S330J	RS1/16S330J	Not used	
	R5702, R5704	Not used	RS1/16S223J	RS1/16S223J	
	R9901, R9902	Not used	RS1/16S101J	Not used	
	CN2901 FFC CONNECTOR	HLEM15R-1	HLEM15R-1	HLEM13R-1	

XR-A790, XR-A390

Mark	No.	Description	Part No.
------	-----	-------------	----------

● PCB PARTS LIST

AF FM/AM TUNER MODULE (AXQ7065)

SEMICONDUCTORS

IC6201		LA1832ML
IC6202		LC72131MD
Q6402		2SC2223
Q6203		2SC2705
Q6201, Q6202		2SC2712
Q6214, Q6403		2SC2714
Q6404		2SK302
Q6401		3SK194
Q6204		DTA124ES
Q6205		DTC124EK
D6202		1SS254
D6401, D6402		1T378A

COILS AND FILTERS

L6404	FM COIL	ATC1003
L6401	FM RF COIL	ATC1020
L6402	FM RF COIL	ATC1021
F6204	FM CERAMIC FILTER	ATF-107
F6203	FM CERAMIC FILTER	ATF-119
F6401	FM BAND PASS FILTER	ATF-155
F6206	FM CERAMIC DISCLI.	ATF7008
F6202	AM CERAMIC FILTER	ATF7011
L6206, L6208, L6403		LAU2R2J

TRANSFORMERS

T6201	ATB7008
T6401	ATE7002

CAPACITORS

C6208	CCSQCH100D50
C6212, C6274, C6275, C6408	CCSQCH101J50
C6412	CCSQCH102J50
C6221, C6222, C6416	CCSQCH150J50
C6271	CCSQCH200J50
C6415	CCSQCH330J50
C6406	CCSQCH331J50
C6401, C6419	CCSQCH5R0C50
C6407	CCSQCK1R0C50
C6410	CCSQCK2R0C50
C6413	CCSQRH180J50
C6414	CCSQRH8R0D50
C6405	CCSQTH150J50
C6234, C6235	CEAL1R0M50
C6245	CEAL470M16
C6224	CEAT100M50
C6243	CEAT101M16
C6231	CEAT1R0M50
C6227	CEAT220M25
C6214, C6236	CEAT2R2M50
C6262	CEAT3R3M50
C6219	CEAT470M10
C6244	CEAT470M16
C6249, C6250, C6265, C6266	CEAT4R7M50
C6258	CEJA470M16

Mark	No.	Description	Part No.
------	-----	-------------	----------

C6215	CFTLA103J50
C6211, C6254, C6403, C6417	CKSQYB102K50
C6201, C6205, C6210, C6237, C6276	CKSQYB103K50
C6278, C6280, C6281, C6402, C6409	CKSQYB103K50
C6418	CKSQYB103K50
C6251, C6252	CKSQYB153K50
C6203, C6259	CKSQYB223K50
C6228	CKSQYB472K50
C6209	CKSQYB473K50
C6230	CKSQYB821K50
C6218, C6223, C6255	CKSQYF103Z50
C6220, C6226, C6242, C6256	CKSQYF223Z50
C6225	CKSQYF473Z50

RESISTORS

R6280	RD1/4PU101J
R6413, R6416, R6418, R6906, R6909	RS1/8S0R0J
R6401	RS1/8S470J
VR6201 (10kΩ)	PCP1029
Other Resistors	RS1/10S□□□J

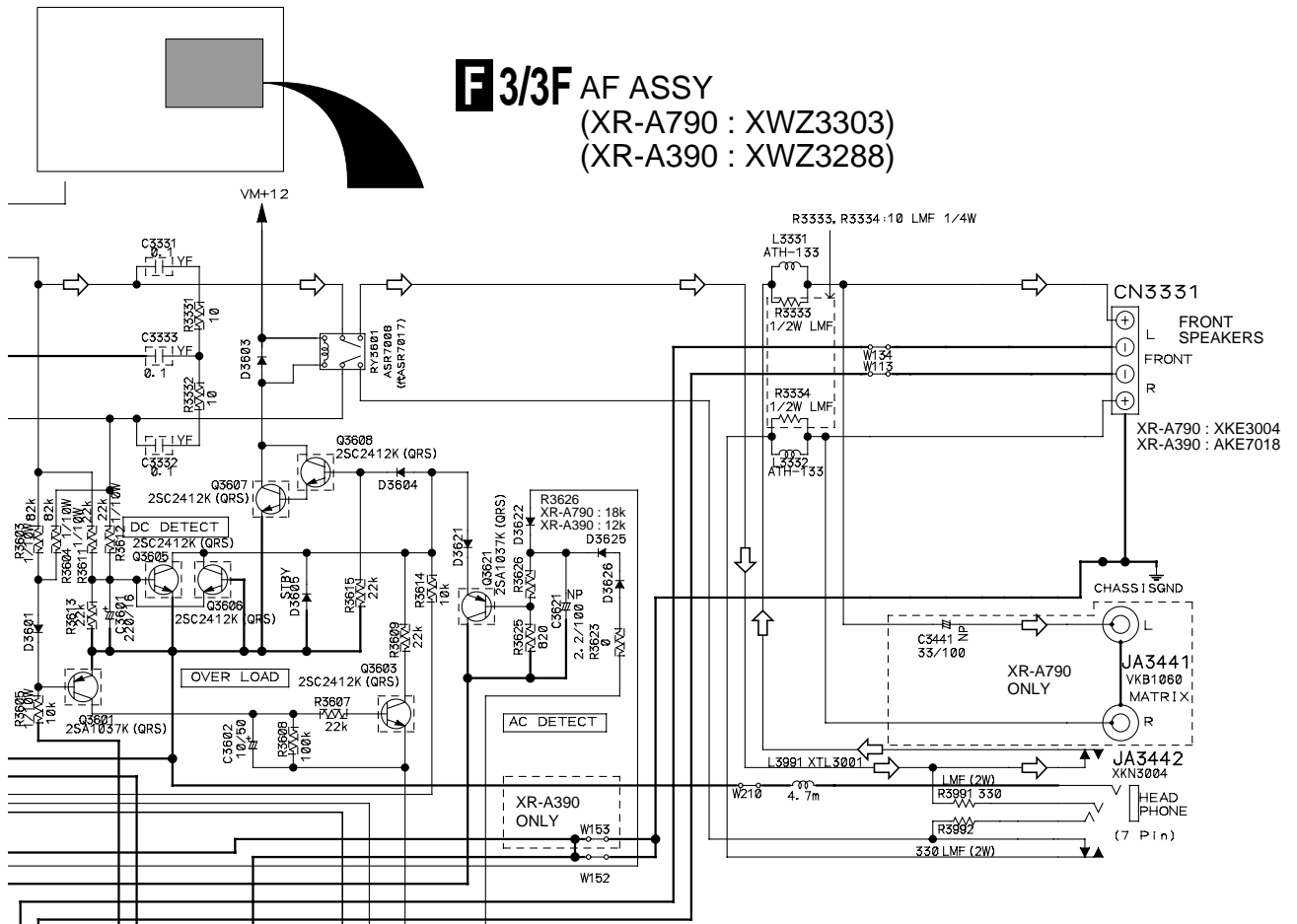
OTHERS

BN6202	4P ANTENNA TERMINAL	AKE7051
X6202	CERAMIC RESONATOR (456kHz)	ASS1066
X6201	CRYSTAL RESONATOR (7.2000MHz)	ASS1093
CN6201	14P SOCKET MW RF TUNING BLOCK	KP200IA14L AKX7041

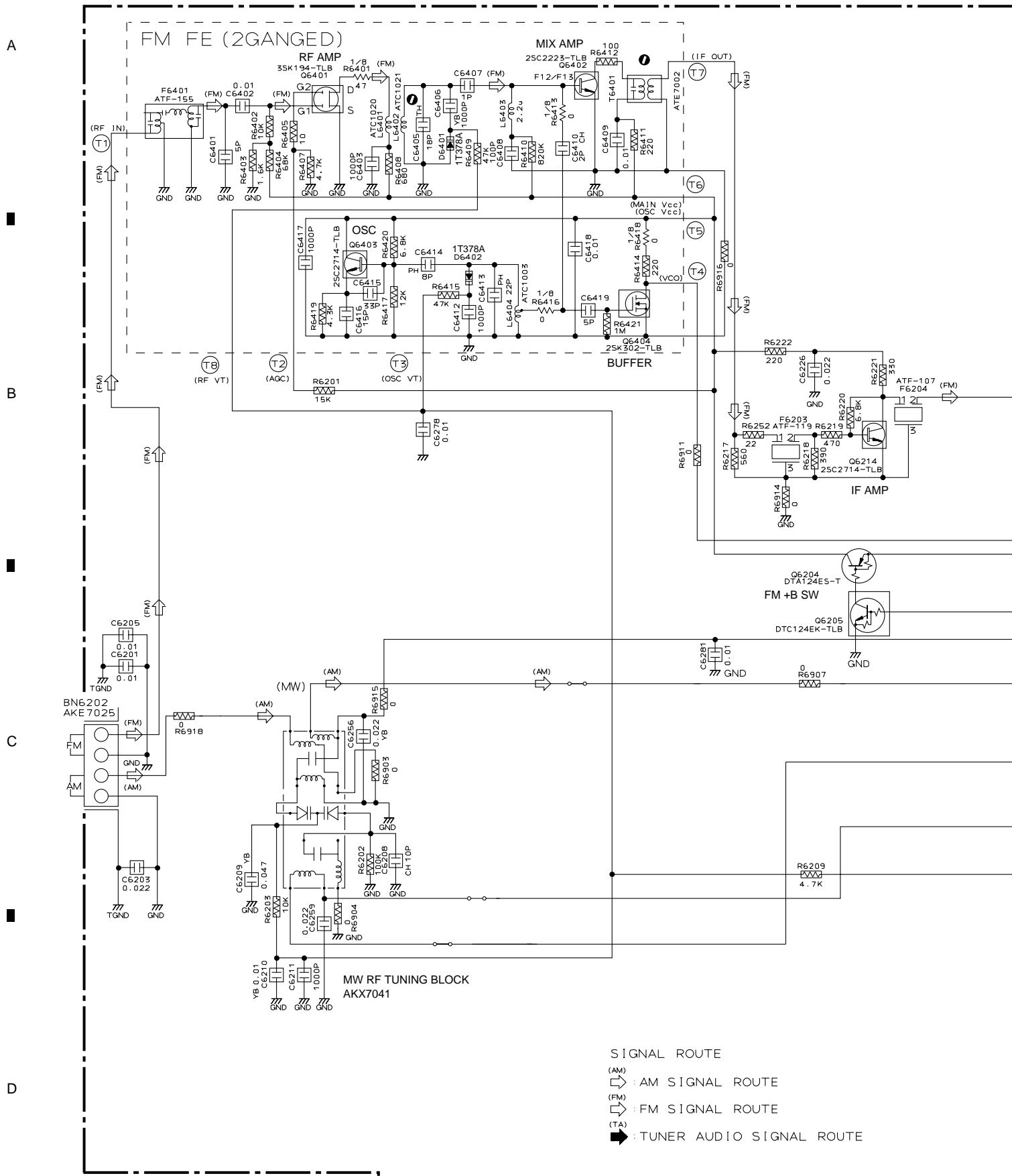
3. SCHEMATIC DIAGRAM

Note : When ordering service parts, be sure to refer to "EXPLODED VIEWS and PARTS LIST" or "PCB PARTS LIST"

3.1 AF (3/3) ASSY



3.2 FM/AM TUNER MODULE



AF FM/AM TUNER MODULE (AXQ7065)

Notes

1. RESISTORS

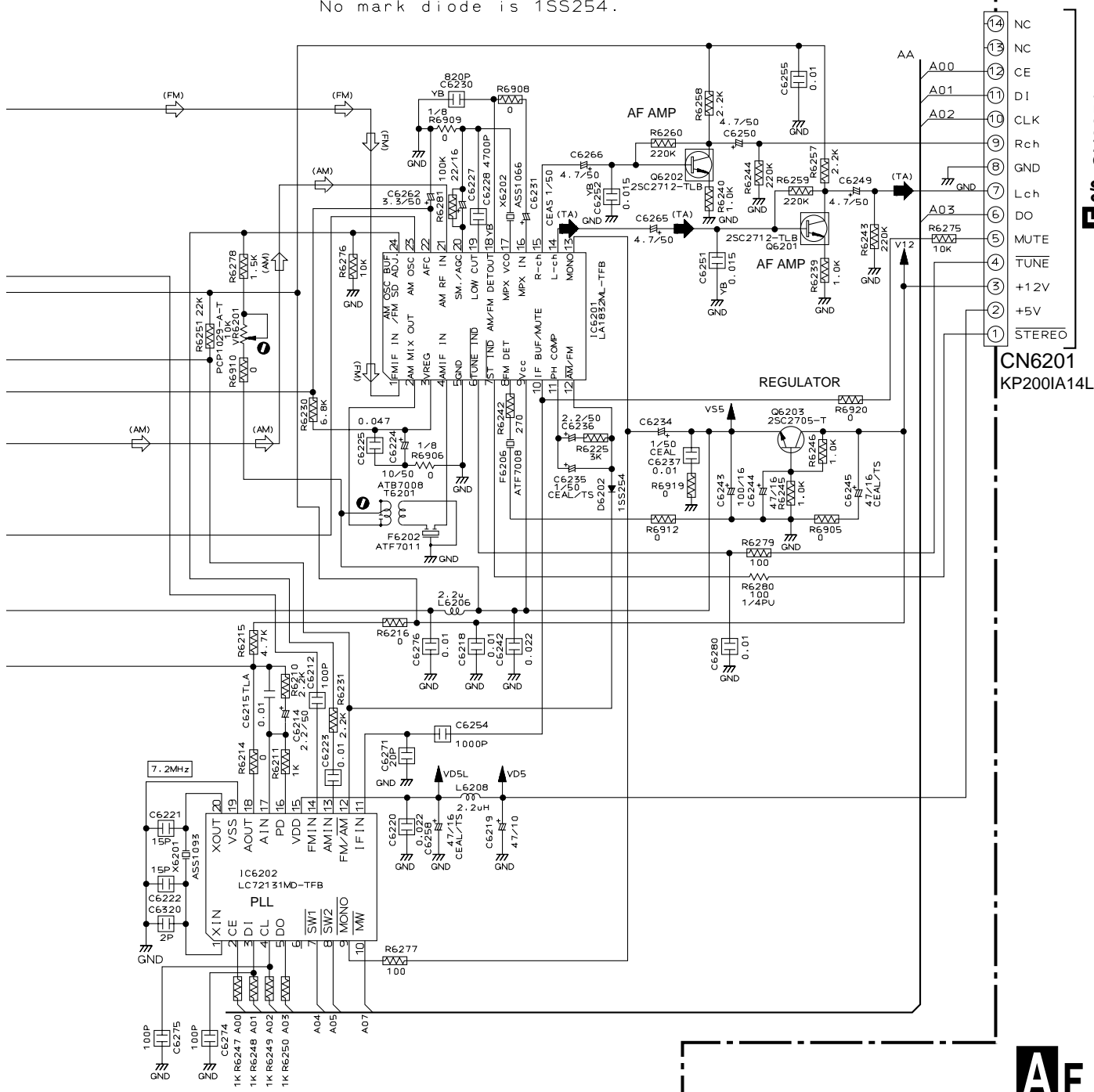
Indicated in Ω , 1/10W \pm 5% Tolerance unless otherwise noted K:K Ω , M:M Ω .

2. CAPACITORS

Indicated in Capacity (μ F)/VOLTAGE (V) unless otherwise noted P:PF.

3. DIODES

No mark diode is 1SS254.



F 2/3 CN3051

CN6201
KP2001A14L



3.3 PRIMARY ASSY

NOTES

ALL CAPACITORS ARE IN μF
 UNLESS OTHERWISE SPECIFIED

⊥ TL : CFTLA
 T M : CQ MBA
 (OTHER : CKCYF)

ALL RESISTORS ARE IN Ω

$\sim\sim\sim$ 1/4WPU

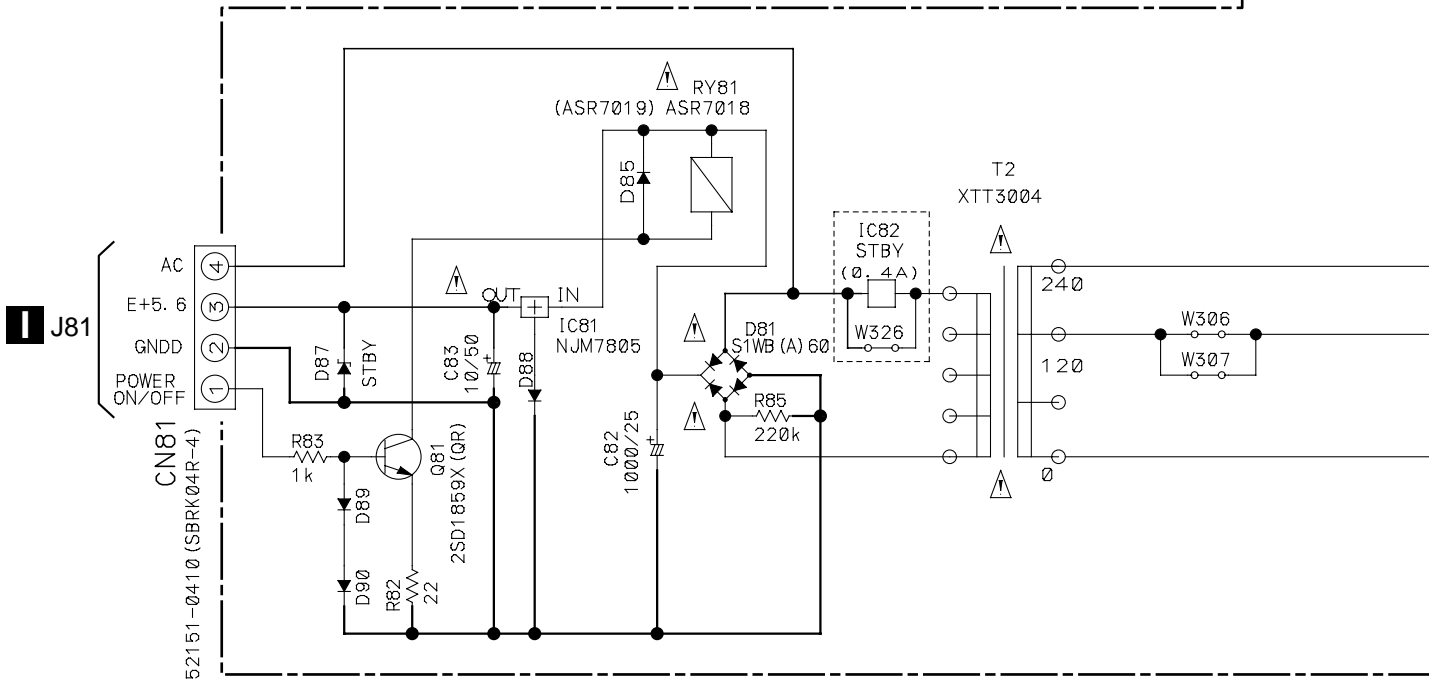
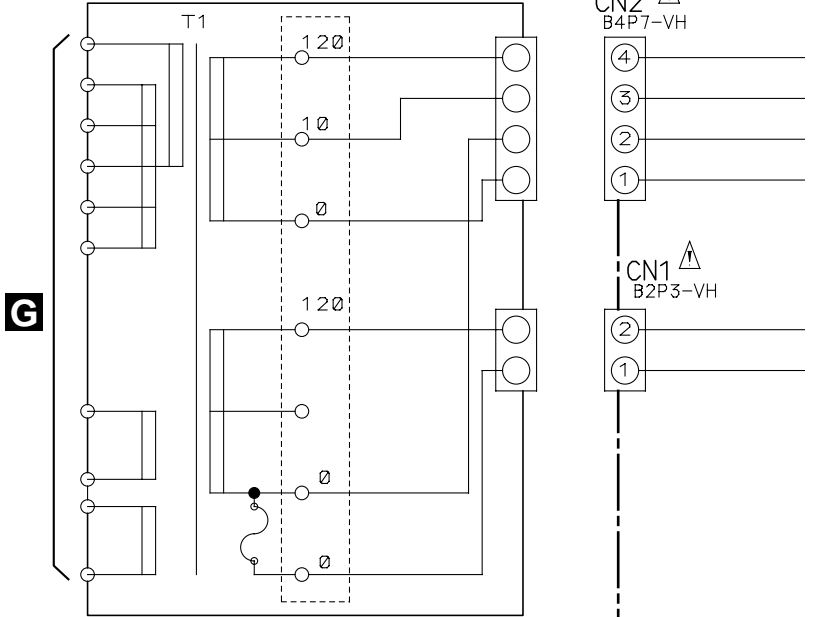
ALL INDUCTORS ARE IN μH

$\sim\sim\sim$ LAU

NO MARK DIODE

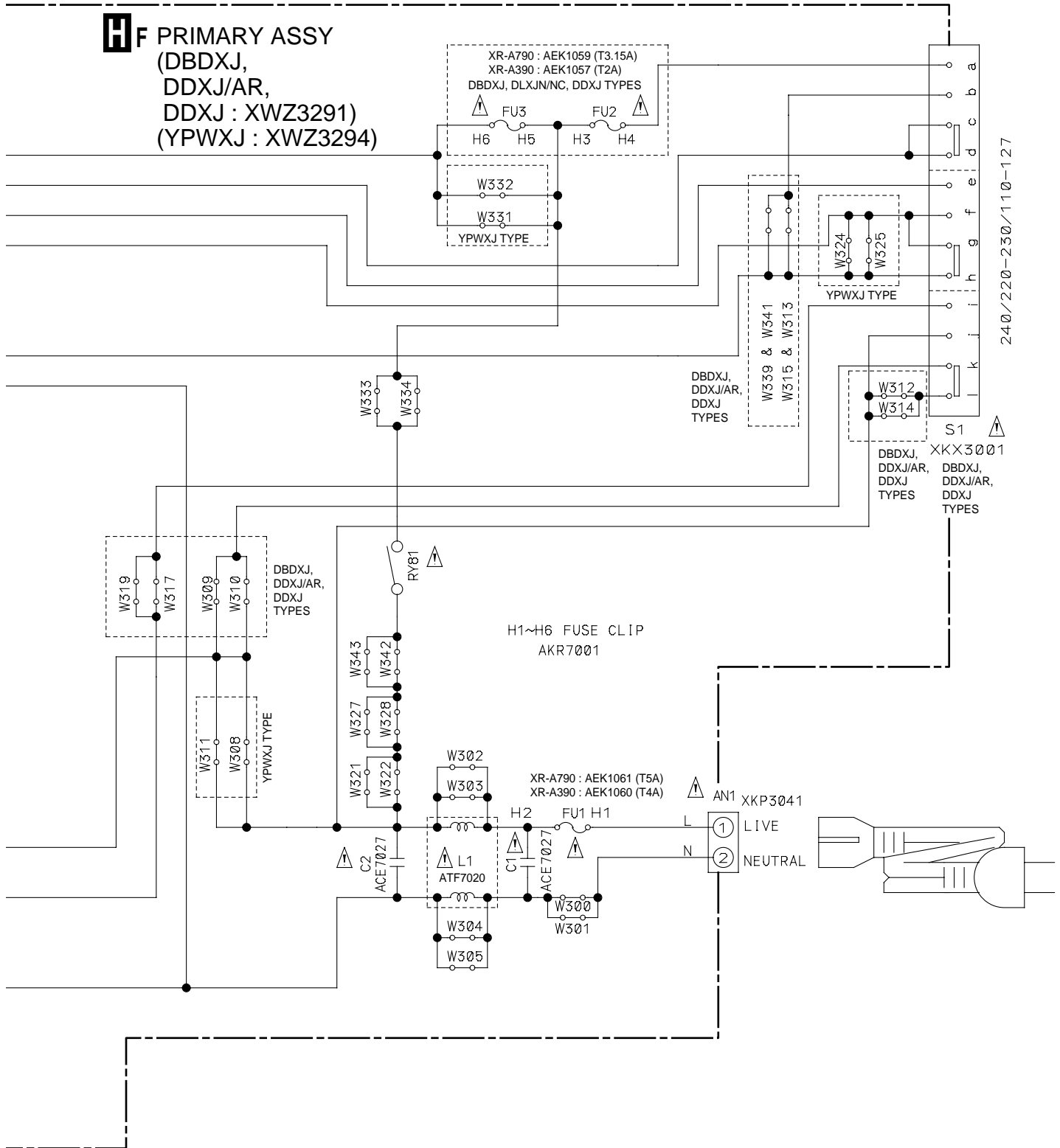
\blacktriangleleft 1SS133

POWER TRANSFORMER
 XR-A790 : XTS3037
 XR-A390 : XTS3036



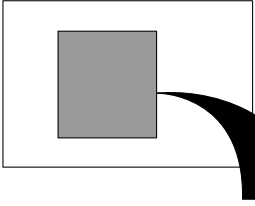
• NOTE FOR FUSE REPLACEMENT

CAUTION -FOR CONTINUED PROTECTION AGAINST RISK OF FIRE. REPLACE WITH SAME TYPE AND RATINGS ONLY.



3.4 DISPLAY ASSY

A

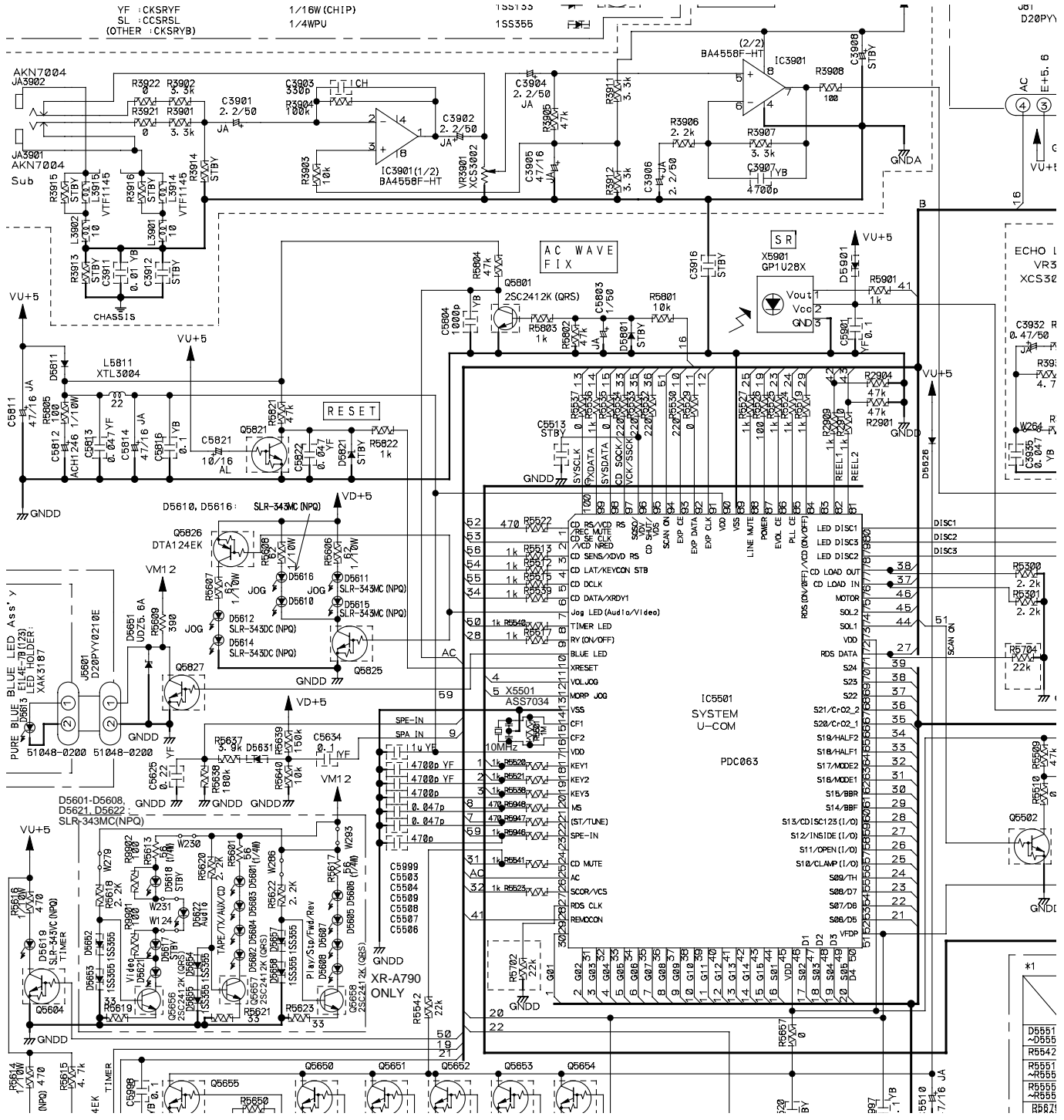


IF
DISPLAY ASSY (XR-A790 : AWU7797)
(XR-A390 : AWU7791)

B

C

D

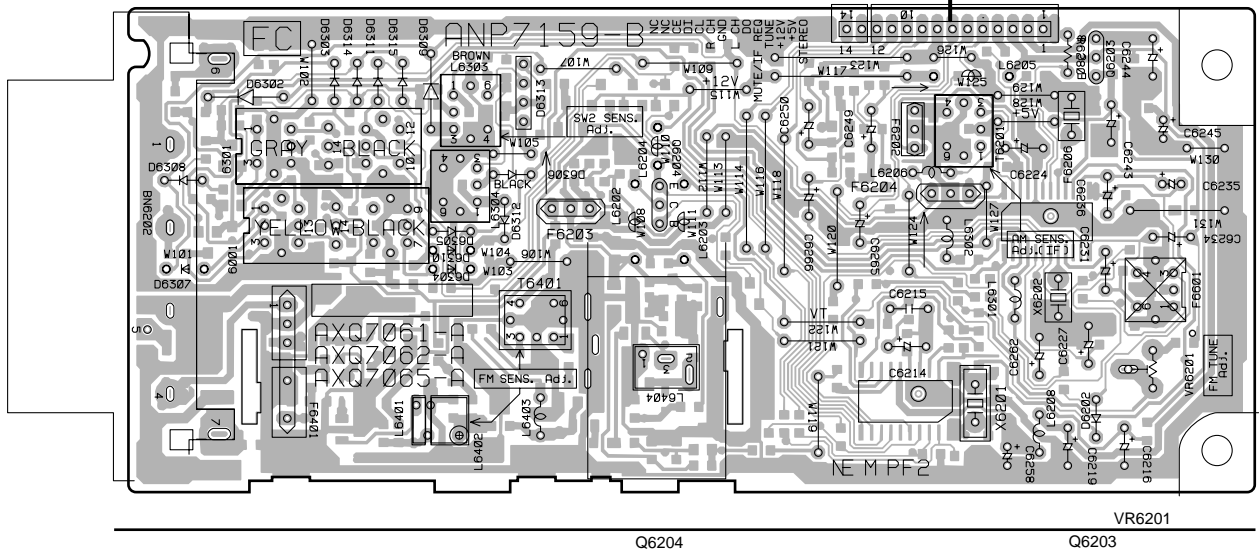


4. PCB CONNECTION DIAGRAM

4.1 FM/AM TUNER MODULE

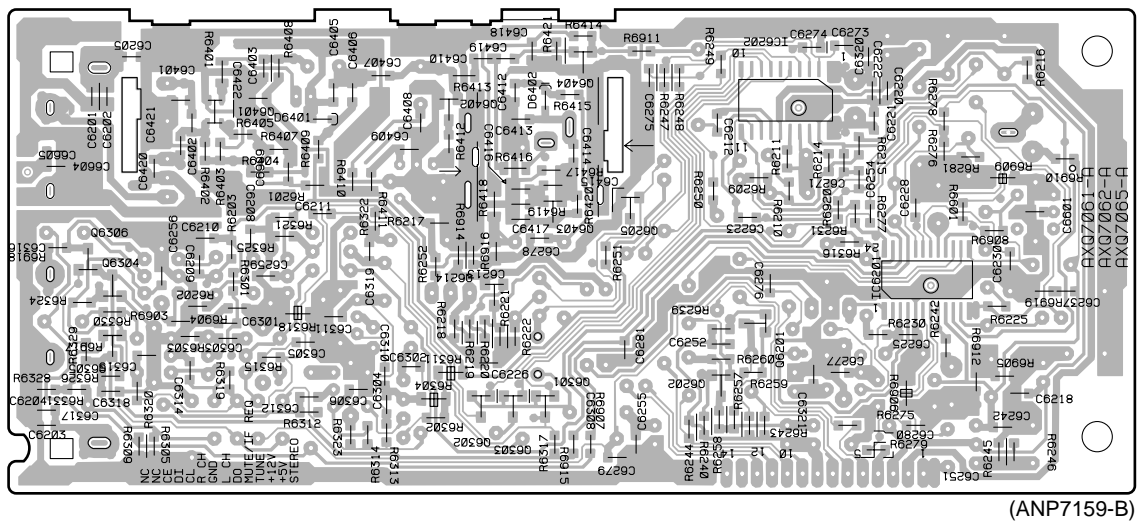
A F FM/AM TUNER MODULE

F CN3051



SIDE A

A F FM/AM TUNER MODULE



SIDE B

5. ADJUSTMENT

Note : Adjustment of XR-A790 are the same as those of XR-A6800 except for the following:
 Adjustment of XR-A390 are the same as those of XR-A4800 except for the following:

■ FM Tuner Section

- Set the mode selector to FM BAND.
- Connect the wiring as shown in Fig. 1.

Step No.	Adjustment Title	FM SG (1kHz, ± 75kHz dev.)		Reception Frequency Display	Adjustment Location	Specifications
		Frequency (MHz)	Level (dB μ V)			
1	Front End Sensitivity	98	0 to 30	98MHz	L6402 T6401	Adjust so that the DC voltage between the IC6201 - pin 20 and GND becomes at maximum level.
2	TUNED IND. Lighting Level	98	18 ± 2	98MHz	VR6201	Adjust so that the indicator of TUNED IND. strats to light up.

Note:
 Before adjusting, make sure there is no gap between L6401 and L6402. If there is a gap between them, bring them into contact with each other first, and then make adjustments.

■ AM Tuner Section

- Set the mode selector to AM BAND.
- Connect the wiring as shown in Fig. 1.

Step No.	Adjustment Title	AM SG (400Hz, 30% Mod.)		Reception Frequency Display	Adjustment Location	Specifications
		Frequency (kHz)	Level (dB μ V/m)			
1	Front End Sensitivity	999 (*1)	35 to 45	999kHz (*1)	T6201	Adjust so that the DC voltage between the IC6201 - pin 20 and GND becomes at maximum level.

Note (*1) : For the area using 10kHz step, frequency should be 1000kHz.

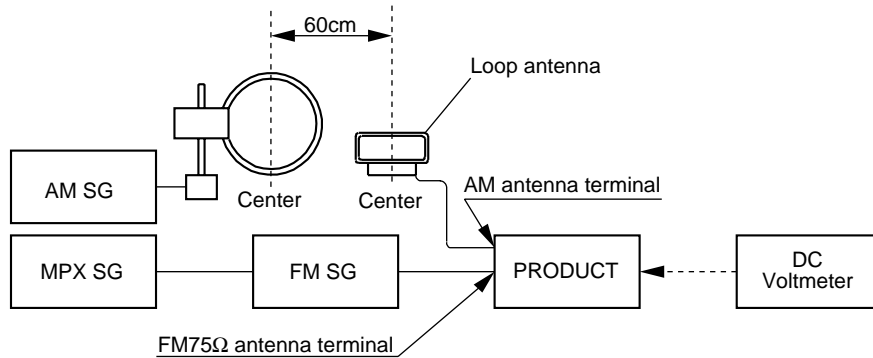


Fig.1 AM and FM Adjustment Wiring Diagram

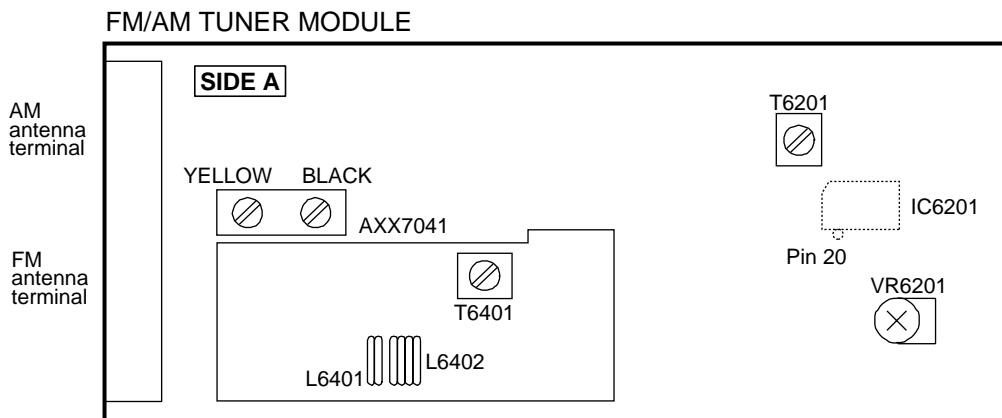


Fig.2 Adjustment Point