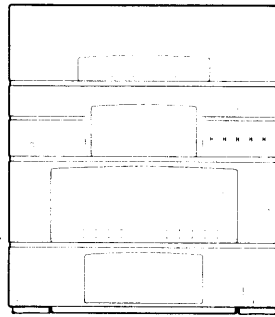


# Service Manual



ORDER NO.  
RRV1011

STEREO CD DECK RECEIVER

# XR-J22M

## XR-J11M

## XR-J22

## XR-J11

THIS MANUAL IS APPLICABLE TO THE FOLLOWING MODEL(S) AND TYPE(S).

Type	Model				Power Requirement	The voltage can be converted by the following method.
	XR-J22M	XR-J11M	XR-J22	XR-J11		
SDXJ	○	○	○	○	AC110V/120-127V/220V/240V	With the voltage selector
YPWXJ	○	○	○	○	AC240V	_____
HEXJ	—	—	○	○	AC220-230V	AC240V, *
HBXJ	—	—	○	○	AC240V	AC220-230V, *
HEWZIXJ	—	—	○	○	AC220-230V	AC240V, *
KUXJ	—	○	—	—	AC120V	_____
KCXJ	—	○	—	—	AC120V	_____

\*: Alter the wiring of the Power-supply block at the primary winding of Power transformer referring to the "Line Voltage Selection" described in Service Manual.

## CONTENTS

### CHAPTER 1

1.1 SAFETY INFORMATION .....	1-2
1.2 PANEL FACILITIES .....	1-5
1.3 SPECIFICATIONS .....	1-13
1.4 ADJUSTMENTS .....	1-15
1.5 PARTS LIST FOR PACKING AND EXPLODED VIEWS .....	1-33
1.6 PCB PARTS LIST .....	1-49

### CHAPTER 2

2.1 PACKING AND EXPLODED VIEWS ...	2-3
2.2 SCHEMATIC AND PCB CONNECTION DIAGRAMS .....	2-13



To FUNCTION assy CN2102 (SCH-3)

- GND
- OUT R
- +5V
- 12V
- 4052 A
- 4052 B
- 4052 INH
- SR OUT
- TAPE L
- TAPE R
- TX L
- TX R
- BEAT CUT
- GND
- CD OUT R
- CD GND
- CD OUT L

To CD UNIT MOTHER PCB assy CN113 (SCH-10 or 12)

- L CH
- CND
- R CH
- CONT
- SR
- +DC
- DC
- 30V
- FL AC1
- FL AC2

To FM/AM TUNER MODULE CN6201 (SCH-8 or 9)

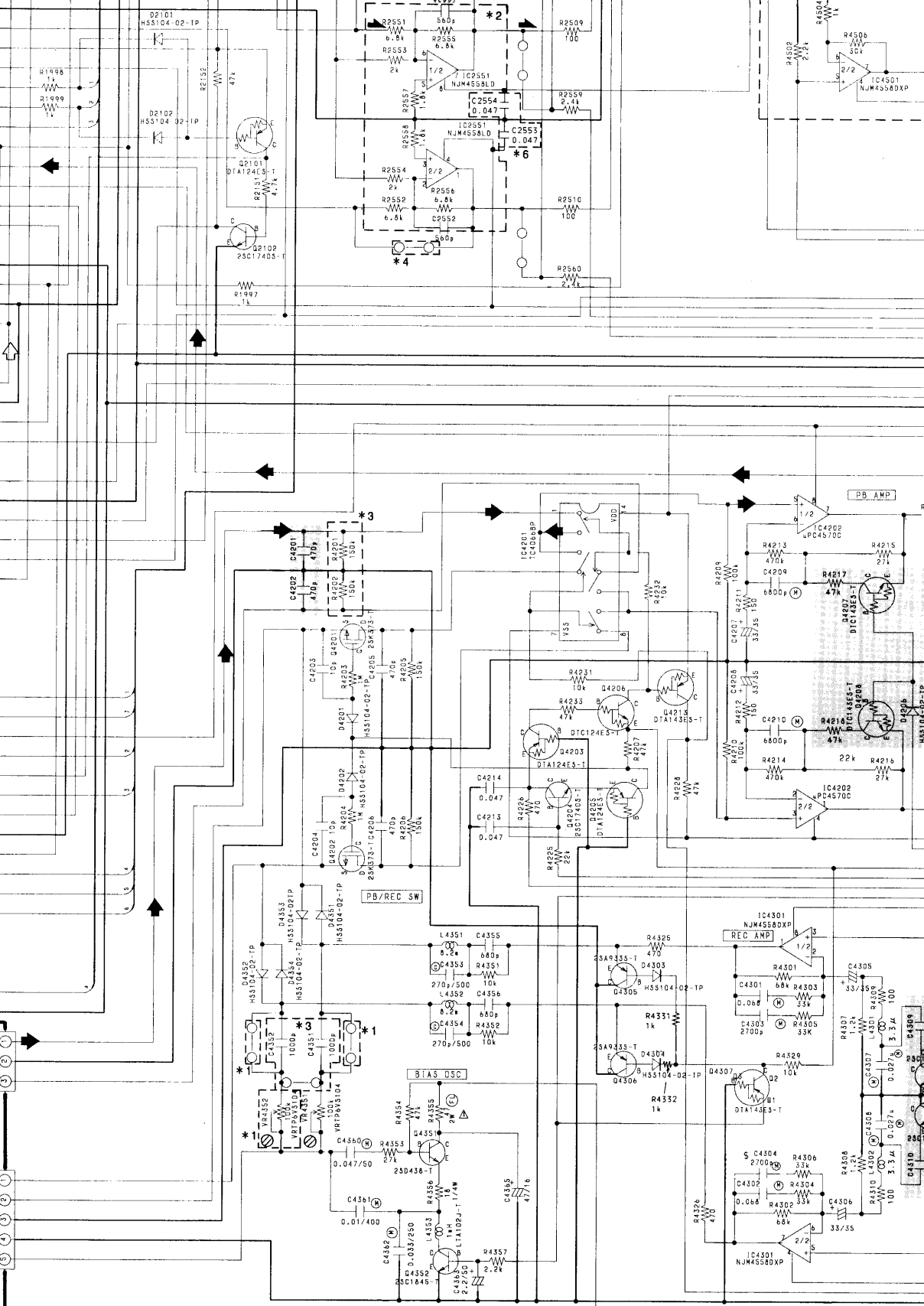
- STEREO
- +5.6V
- +12V
- TUNE
- MUTE
- MONO
- TX L
- GND
- TX R
- PLL CLK
- PLL DATA
- PLL CE
- NC
- NC

To 1 MECHA UNIT

- TAPE1 L
- TAPE1 CND
- TAPE1 R

To 2 MECHA UNIT

- TAPE2 R
- TAPE2 L
- TAPE2 GND
- ERASE CND
- ERASE HEAD



- AF ass'y (AWZ7059 : XR-J22M/SDXJ, XR-J22/SDXJ)  
 (AWZ7060 : XR-J22M/YPWXJ, XR-J22/YPWXJ, HEXJ, HBXJ)  
 (AWZ7061 : XR-J22/HEWZIXJ)  
 (AWZ7055 : XR-J11M/SDXJ, XR-J11/SDXJ)  
 (AWZ7260 : XR-J11M/YPWXJ, XR-J11/YPWXJ)  
 (AWZ7058 : XR-J11M/KUXJ, KCXJ)  
 (AWZ7056 : XR-J11/HEXJ, HBXJ)  
 (AWZ7057 : XR-J11/HEWZIXJ)

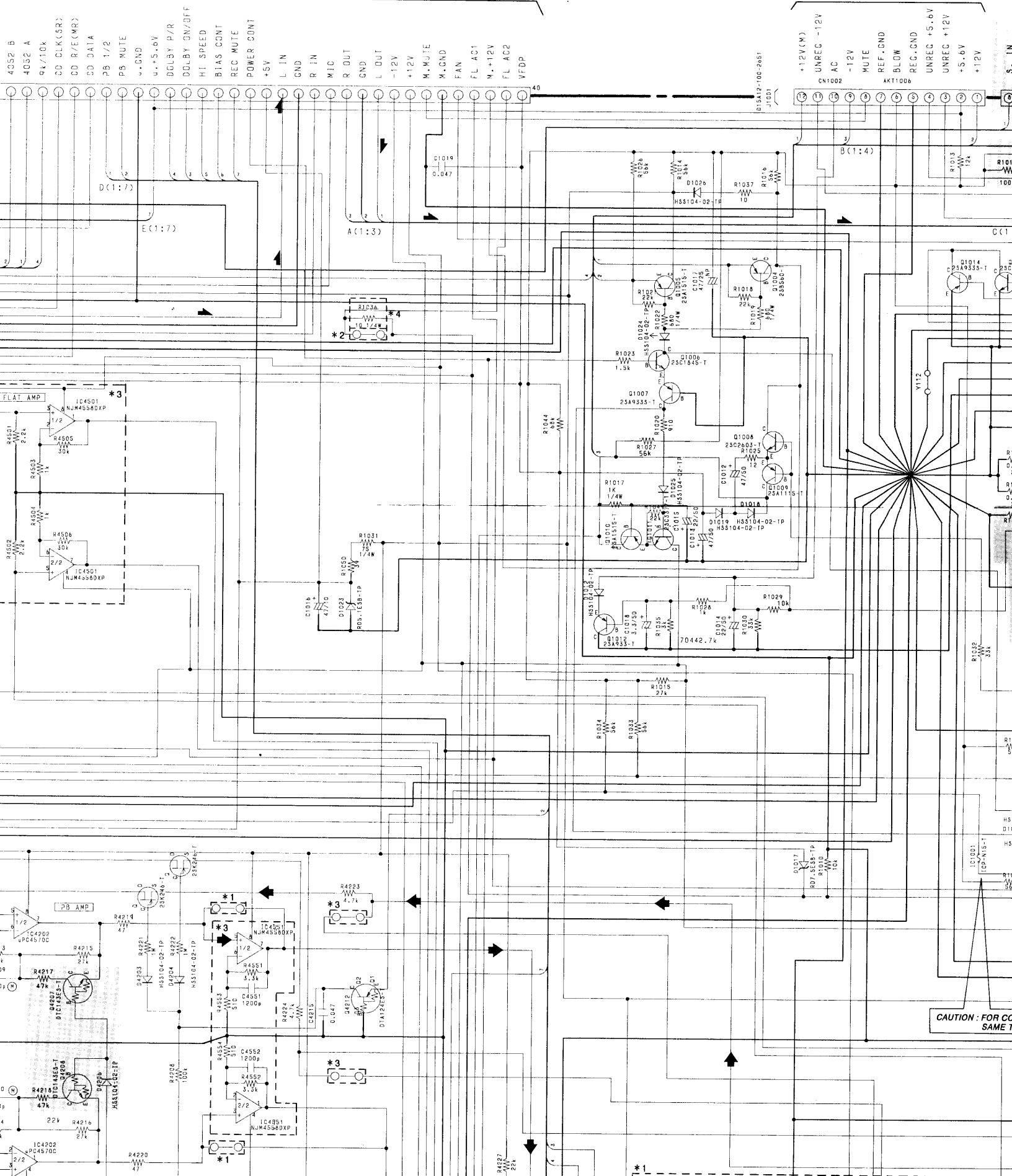
IC4202	UPC4570C	NJM4558DXP
R1028	1k	1k
R1029	10k	10k
R1030	33k	33k
R1035	3k	3k
R1038, R1039	82k	82k
R1040	1k	1k
R1041	1.5k	1.5k

**SCH-2**

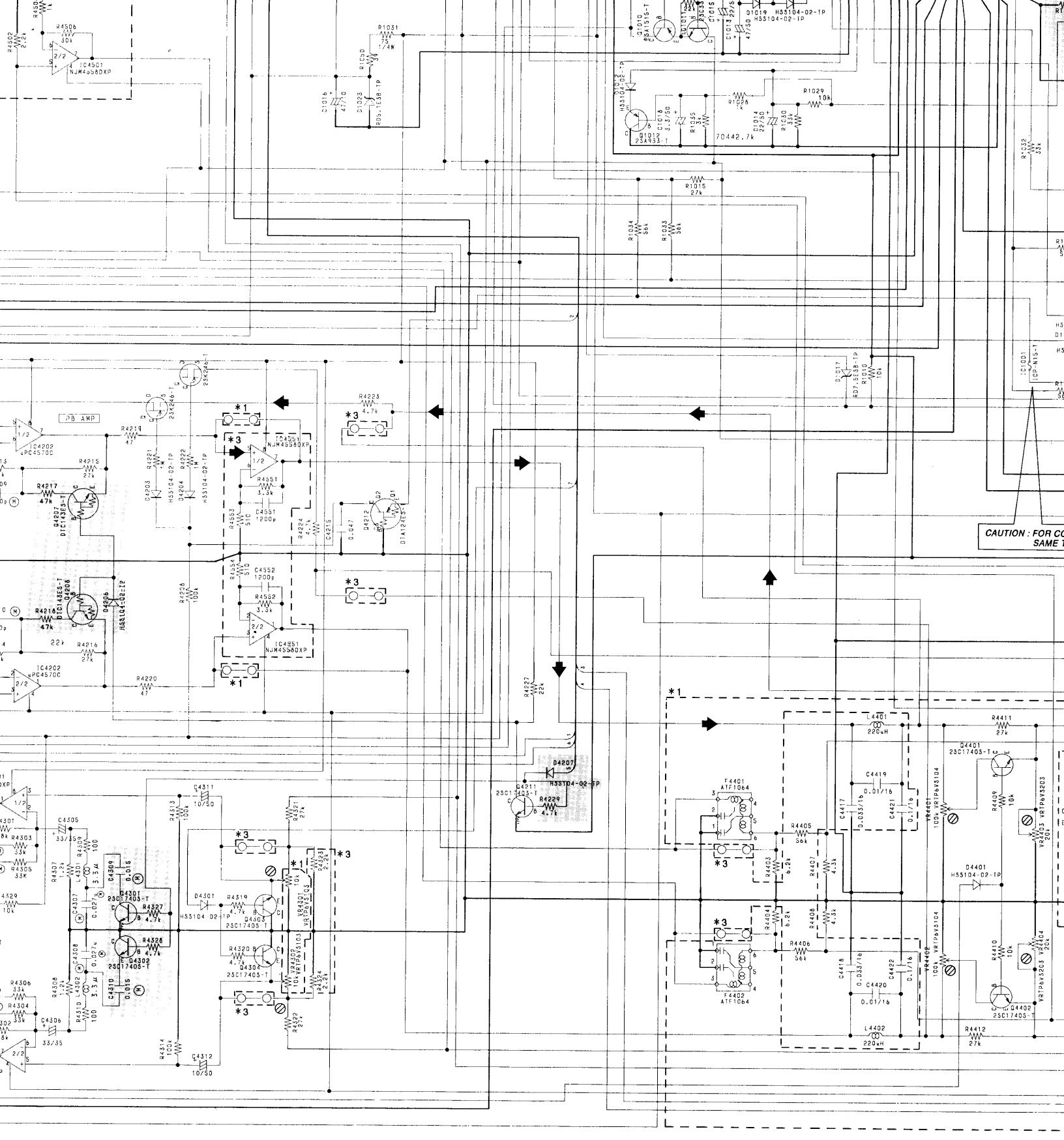
AF ASSY, SECONDARY ASSY

To DISPLAY assy CN102 (→SCH-5)

To PWR, PRTEC assy CN7101 (→SCH-7)



CAUTION : FOR CO SAME T



R22, HBXJ, XJ	XR-J11M/SDXJ, YPWXJ XR-J11/SDXJ, YPWXJ	XR-J11M/ KUXJ, KCXJ
	NJ4558DXP	UPC4570C
	1k	2.7k
	10k	33k
	33k	27k
	3k	4.7k
	82k	150k
	1k	1.5k
	1.5k	1k

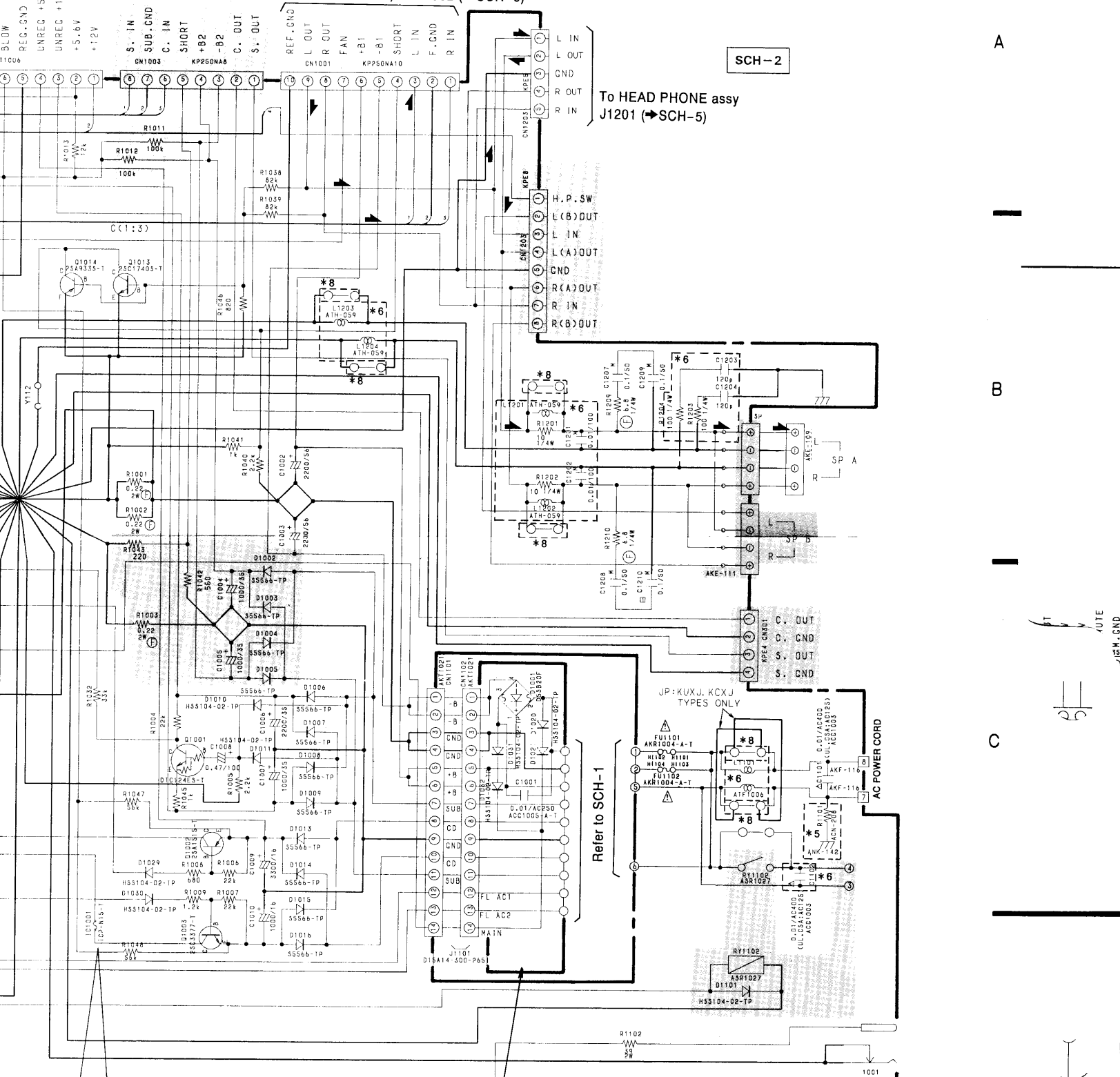
	XR-J22M, XR-J22, XR-J11/HEXJ, HBXJ, HEWIXJ	XR-J11M/SDXJ, YPWXJ XR-J11/SDXJ, YPWXJ	XR-J11M/ KUXJ, KCXJ
R2559, R2560	2.4k	100	2.4k
R4215, R4216	27k	15k	27k
R4305, R4306	33k	15k	33k
R4321, R4322	27k	56k	27k
C1002, C1003	ACH1250	ACH1250	ACH1249
C1018	3.3/50	3.3/50	2.2/50
C4205, C4206	470p	820p	470p
C4303, C4304	0.027	3300p	0.027

- \*1 : EXCEPT XR-J11M/SDXJ, YPWXJ, XR-J11/SDXJ, YPWXJ
- \*2 : XR-J22M, XR-J22 ONLY
- \*3 : XR-J11M/SDXJ, YPWXJ, XR-J11/SDXJ, YPWXJ ONLY
- \*4 : XR-J11M, XR-J11 ONLY
- \*5 : KUXJ, KCXJ TYPES ONLY
- \*6 : HEWIXJ TYPE ONLY
- \*7 : SDXJ TYPE ONLY
- \*8 : EXCEPT HEWIXJ

**SIGNAL ROUTE**  
 ➔ TAPE 1 Lch SIGNAL  
 ⇄ CD Lch SIGNAL  
 ↩ L ch SIGNAL ROUTE

IC1001 (→SCH-7)

To FRONT assy FOR 50W  
(EXCEPT KUXJ, KCXJ TYPES)  
To FRONT assy FOR 100W  
(KUXJ, KCXJ TYPES) CN7502 (→SCH-6)



SCH-2

To HEAD PHONE assy  
J1201 (→SCH-5)

Refer to SCH-1

SECONDARY assy (AWZ7064 : Except KUXJ, KCXJ Types)  
(AWZ7065 : For KUXJ, KCXJ Types)

CAUTION : FOR CONTINUED PROTECTION AGAINST RISK OF FIRE. REPLACE ONLY WITH SAME TYPE NO. ICP-N15, MFD BY ROHM CO.,LTD. FOR IC1001.

A

B

C

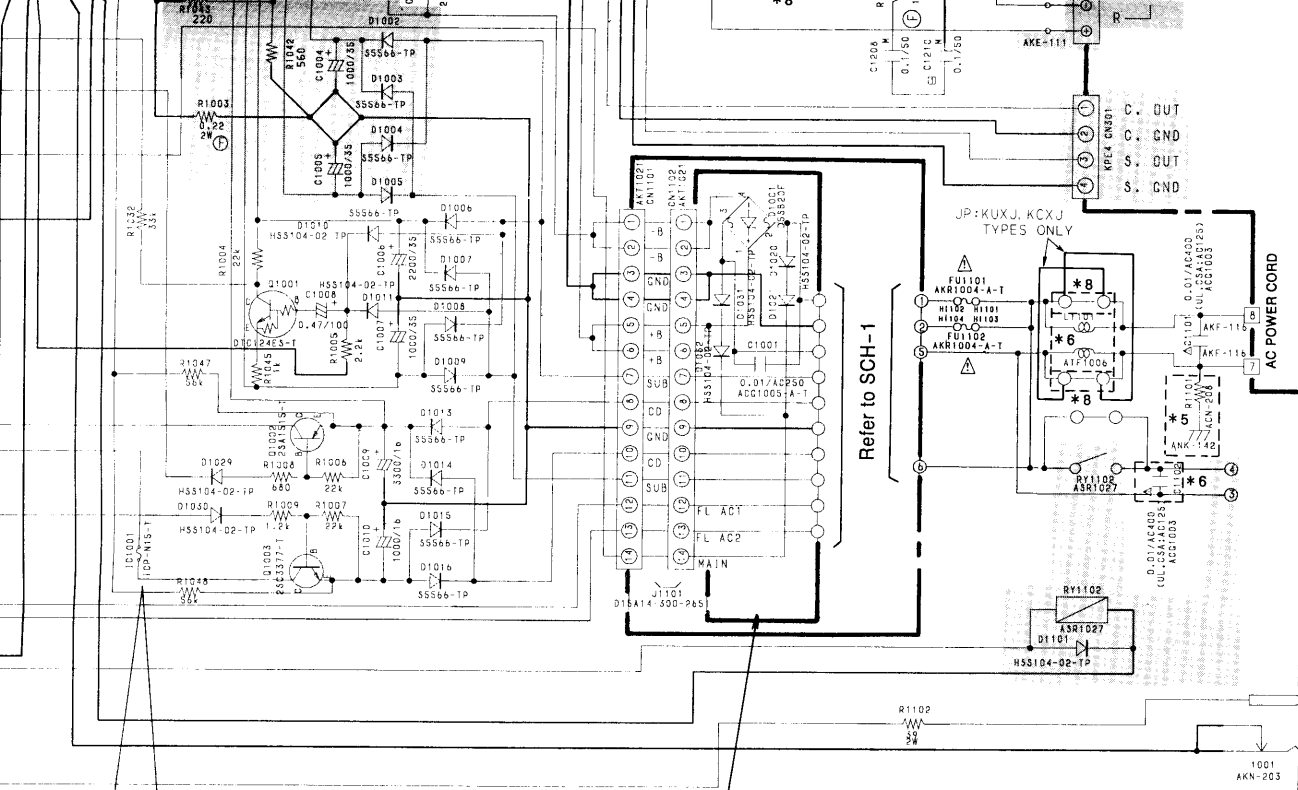
D

4UTE  
SPEM.CND

SP A  
R  
SP B  
R

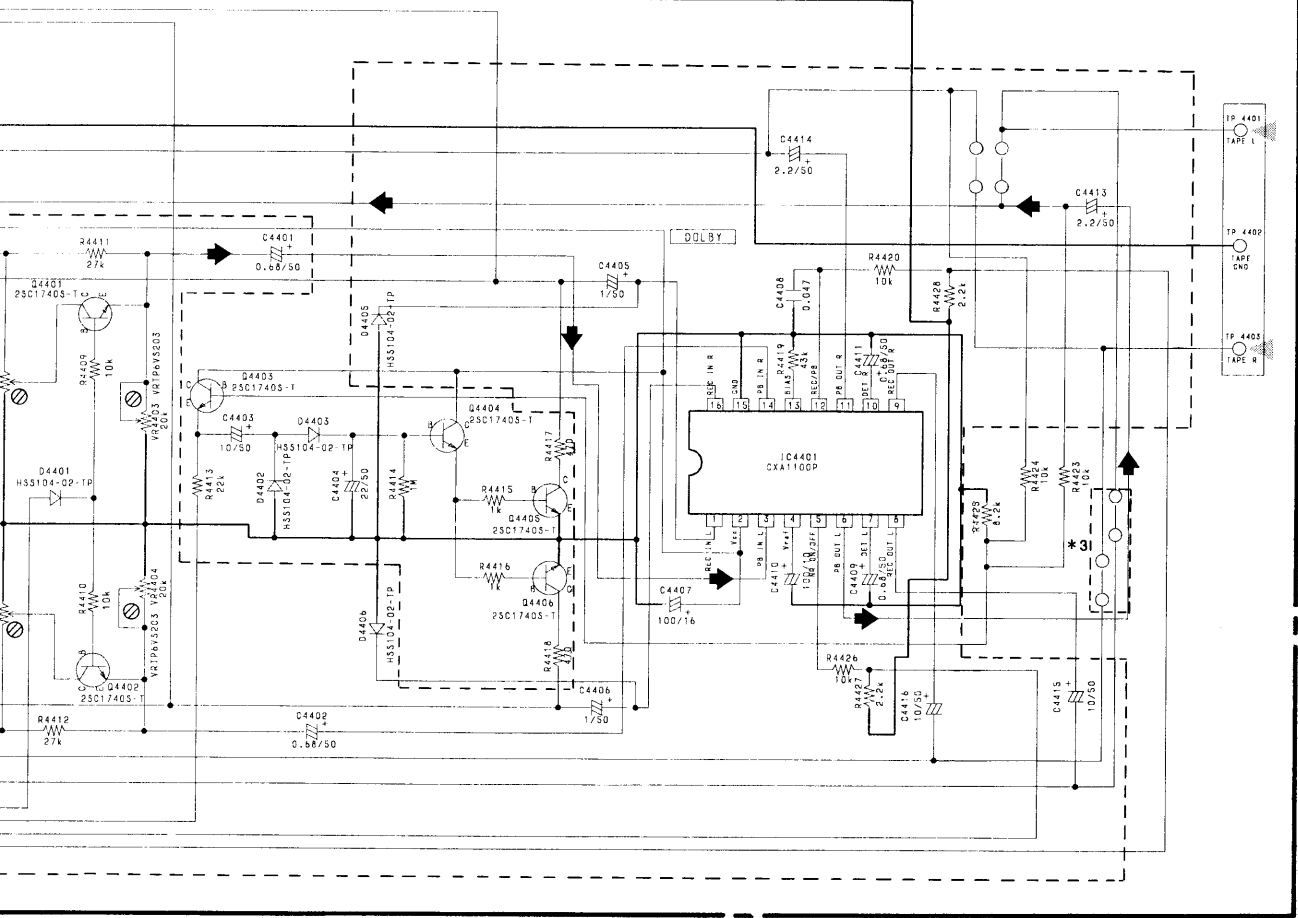
1001  
AKN-203

TP 4401  
TAPE L



**CAUTION :** FOR CONTINUED PROTECTION AGAINST RISK OF FIRE, REPLACE ONLY WITH SAME TYPE NO. ICP-N15, MFD BY ROHM CO.,LTD. FOR IC1001.

SECONDARY assy (AWZ7064 : Except KUXJ, KCXJ Types)  
(AWZ7065 : For KUXJ, KCXJ Types)



- SIGNAL ROUTE**
- : TAPE 1 Lch SIGNAL ROUTE
  - ◁ : CD Lch SIGNAL ROUTE
  - : L ch SIGNAL ROUTE

NOTE : Sections marked with [X] are not used for XR-J22M, XR-J22, XR-J11M and XR-J11.

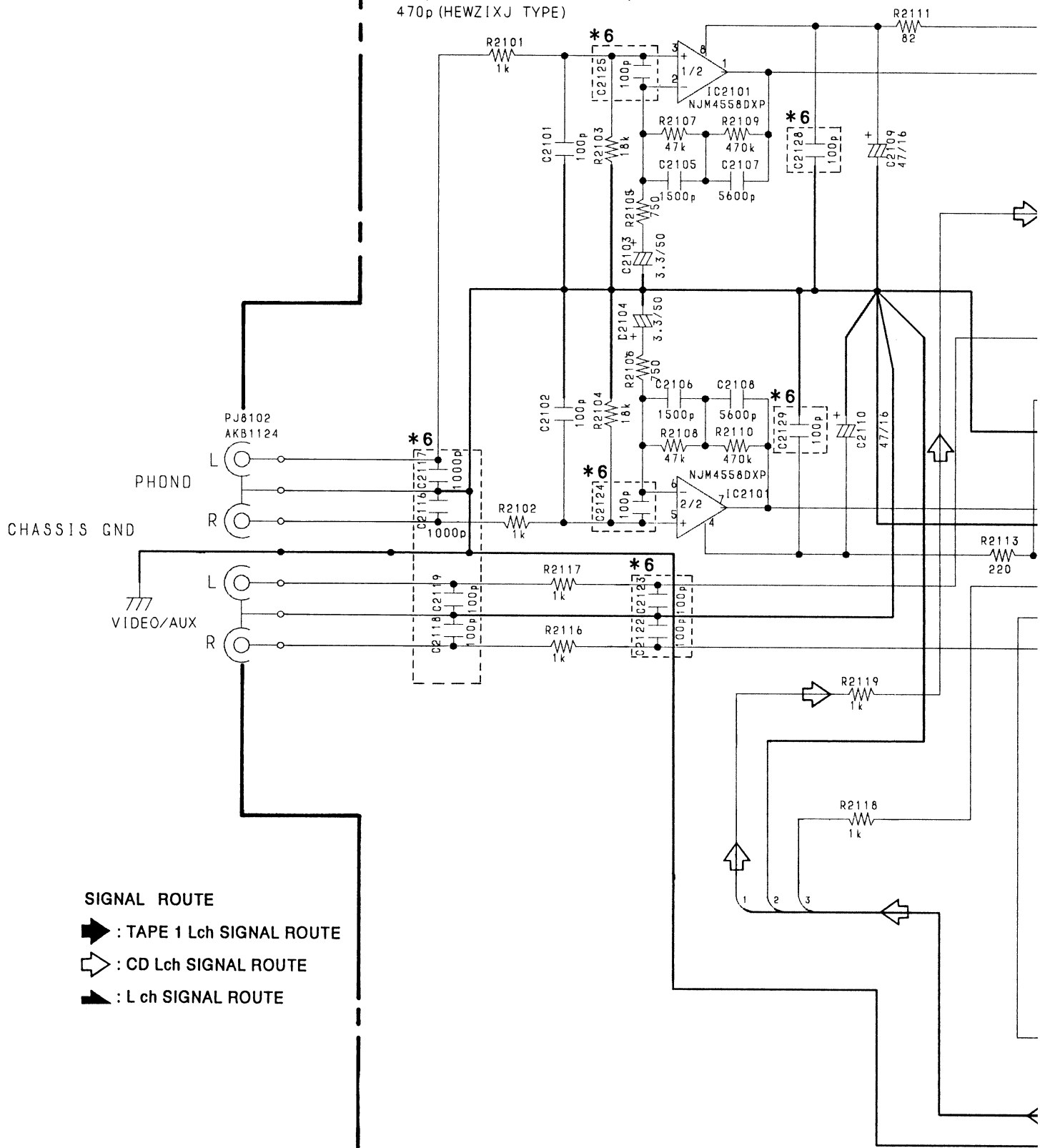
**SCH-2**

AF ASSY, SECONDARY ASSY

2.2 FUNCTION ASSY

C2101, C2102:  
100p (EXCEPT HEWZIXJ TYPE)  
470p (HEWZIXJ TYPE)

PHONO EQ AMP



SIGNAL ROUTE

- ▶ : TAPE 1 Lch SIGNAL ROUTE
- ◻ : CD Lch SIGNAL ROUTE
- ▶ : L ch SIGNAL ROUTE

**SCH-3**

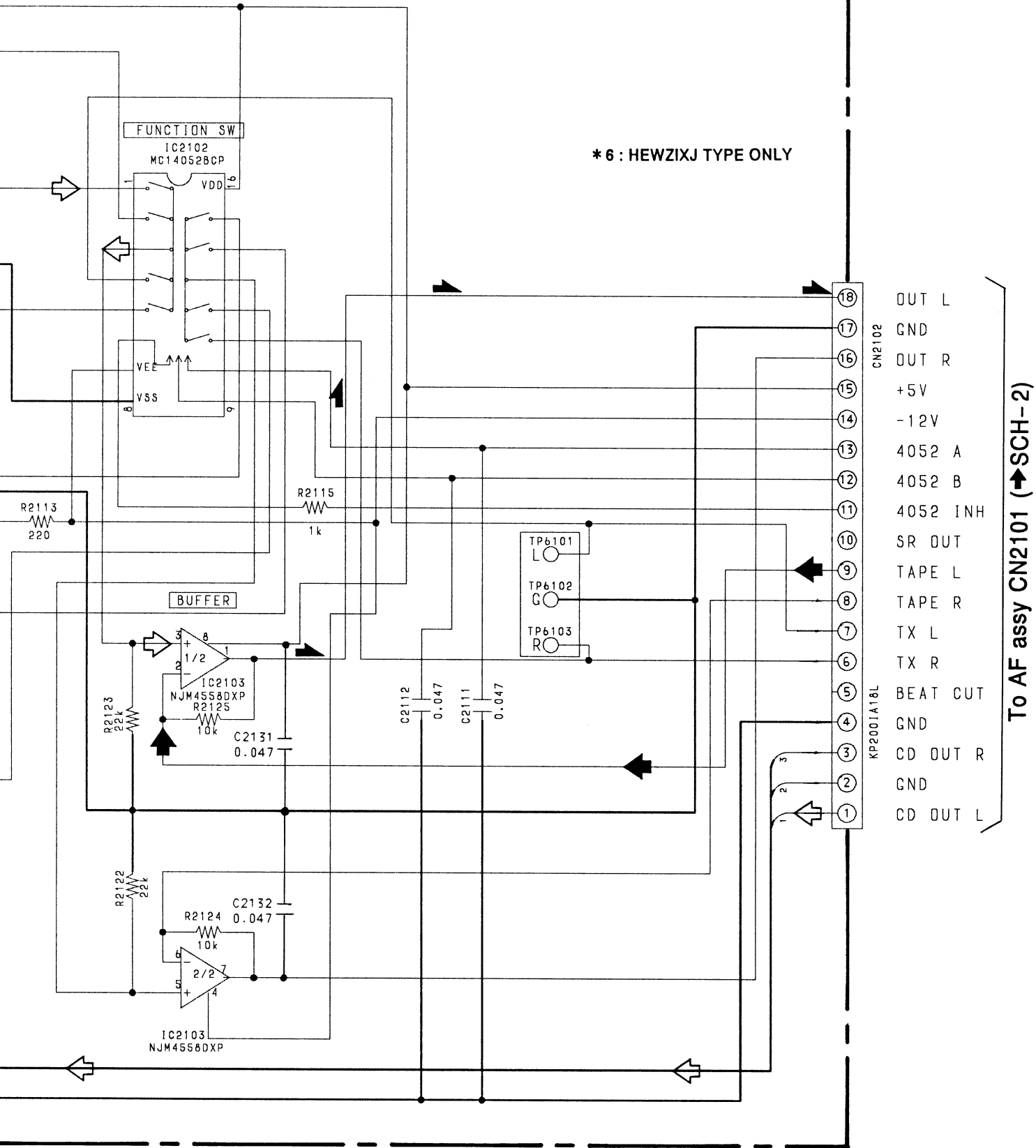
FUNCTION ASSY



FUNCTION assy (AWZ7062 : Except HEWZIXJ Type)  
(AWZ7063 : For HEWZIXJ Type)

SCH-3

\*6 : HEWZIXJ TYPE ONLY



A

B

C

D

To AF assy CN2101 (→SCH-2)

SCH-3

FUNCTION ASSY

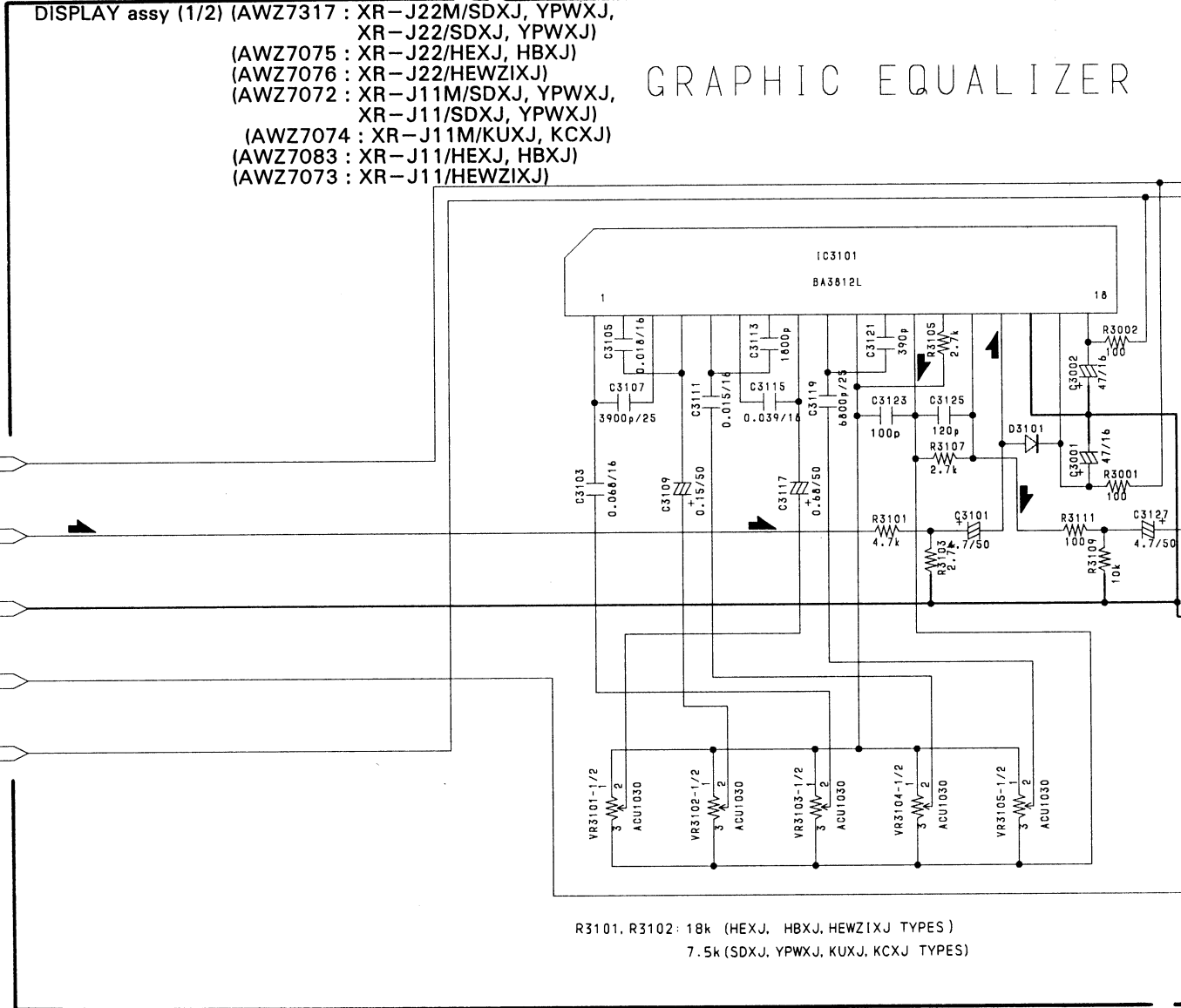
3. DISPLAY ASSY, VOLUME ASSY, MIC ASSY, HEAD PHONE ASSY AND  
TAPE IND. ASSY  
3.1 DISPLAY ASSY (1/2)

A

B

C

D



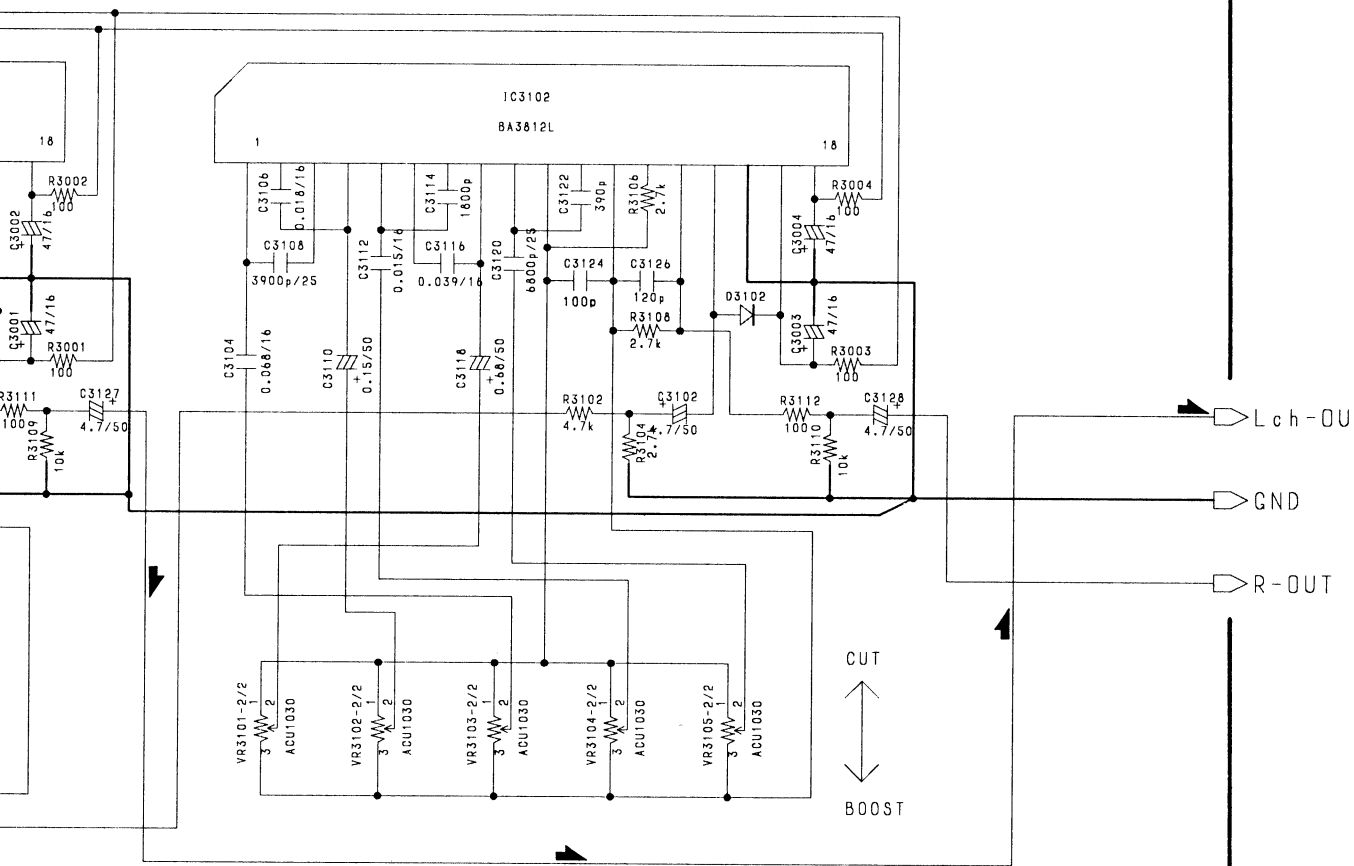
**SCH-4**

A

SCH-4

ZER

B



To DISPLAY assy (2/2) (→SCH-5)

C

SIGNAL ROUTE  
▲ : L ch SIGNAL ROUTE

D

SCH-4

DISPLAY ASSY (1/2)

4. POWER MODULE

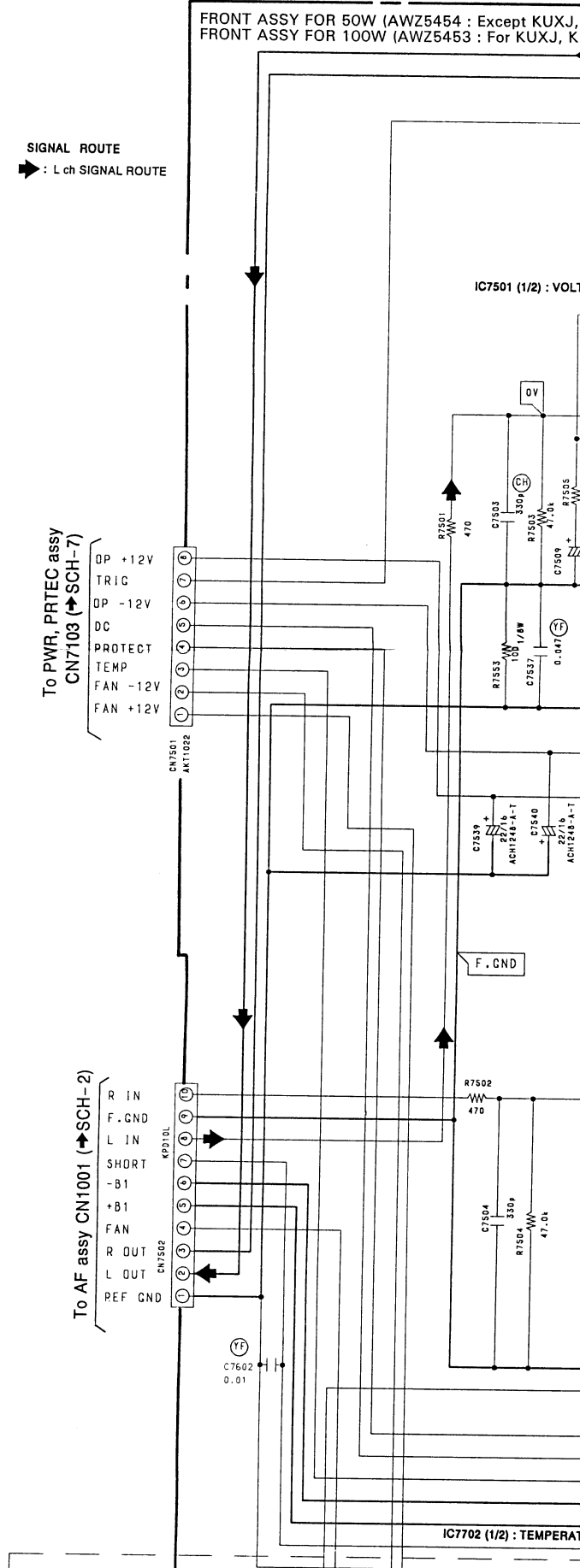
4.1 FRONT ASSY FOR 50W (Except KUXJ, KCXJ types) and  
FRONT ASSY FOR 100W (KUXJ, KCXJ types)

A

B

C

D



C

D

E

F

To PW  
CN7  
TEMP  
FAN -12V  
FAN +12V

To AF assy CN1001 (SCH-2)  
R IN  
F. GND  
L IN  
SHORT  
-B1  
+B1  
FAN  
R OUT  
L OUT  
REF GND

CN7501  
AKT102E

KPD10L

CN7502

CN7503

INR2003X1L

FAN+12V

1.2V

7.00V

8.6V NOTE1

COOL I

+12V

HSS104-02

D7714

ACPT1053

1.0k

1.0k

1.0k

56

56

910

910

910

910

910

910

910

910

910

910

910

910

910

910

910

910

910

910

910

910

910

910

910

910

910

910

910

910

910

910

910

910

910

910

910

910

910

910

910

910

910

910

910

910

910

910

910

910

910

910

910

910

910

910

910

910

910

910

910

910

910

910

910

910

910

910

910

910

910

910

910

910

910

910

910

910

910

910

910

910

910

910

910

910

910

910

910

910

910

910

910

910

910

910

910

910

910

910

910

910

910

910

910

910

910

910

910

910

910

910

910

910

910

910

910

910

910

910

910

910

910

910

910

910

910

910

910

910

910

910

910

910

910

910

910

910

910

910

910

910

910

910

910

910

910

910

910

910

910

910

910

910

910

910

910

910

910

910

910

910

910

910

910

910

910

910

910

910

910

910

910

910

910

910

910

910

910

910

910

910

910

910

910

910

910

910

910

910

910

910

910

910

910

910

910

910

910

910

910

910

910

910

910

910

910

910

910

910

910

910

910

910

910

910

910

910

910

910

910

910

910

910

910

910

910

910

910

910

910

910

910

910

910

910

910

910

910

910

910

910

910

910

910

910

910

910

910

910

910

910

910

910

910

910

910

910

910

910

910

910

910

910

910

910

910

910

910

910

910

910

910

910

910

910

910

910

910

910

910

910

910

910

910

910

910

910

910

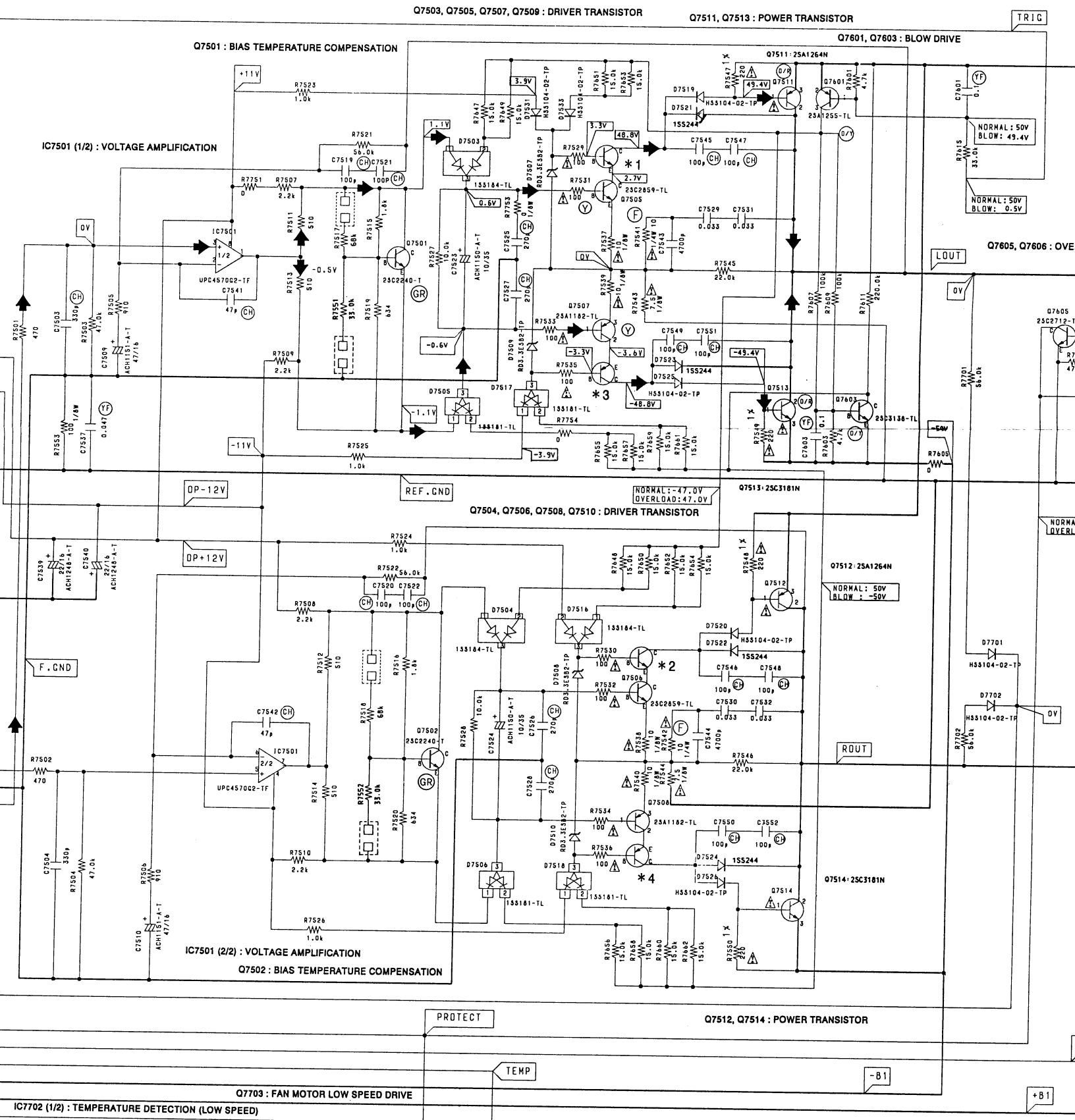
910

910

910

910

75454 : Except KUXJ, KCXJ Types)  
 75453 : For KUXJ, KCXJ Types)



Q7503, Q7505, Q7507, Q7509 : DRIVER TRANSISTOR

Q7511, Q7513 : POWER TRANSISTOR

Q7501 : BIAS TEMPERATURE COMPENSATION

Q7601, Q7603 : BLOW DRIVE

IC7501 (1/2) : VOLTAGE AMPLIFICATION

NORMAL : 50V  
BLOW : 49.4V

NORMAL : 50V  
BLOW : 0.5V

Q7605, Q7606 : OVERLOAD

Q7504, Q7506, Q7508, Q7510 : DRIVER TRANSISTOR

NORMAL : -47.0V  
OVERLOAD : 47.0V

Q7513 : 2SC3181N

Q7512 : 2SA1264N  
NORMAL : 50V  
BLOW : -50V

Q7514 : 2SC3181N

Q7512, Q7514 : POWER TRANSISTOR

IC7501 (2/2) : VOLTAGE AMPLIFICATION

Q7502 : BIAS TEMPERATURE COMPENSATION

Q7703 : FAN MOTOR LOW SPEED DRIVE

IC7702 (1/2) : TEMPERATURE DETECTION (LOW SPEED)

+B1

-B1

PROTECT

TEMP

TRIG

LOUT

ROUT

NORMAL OVERLOAD

DY

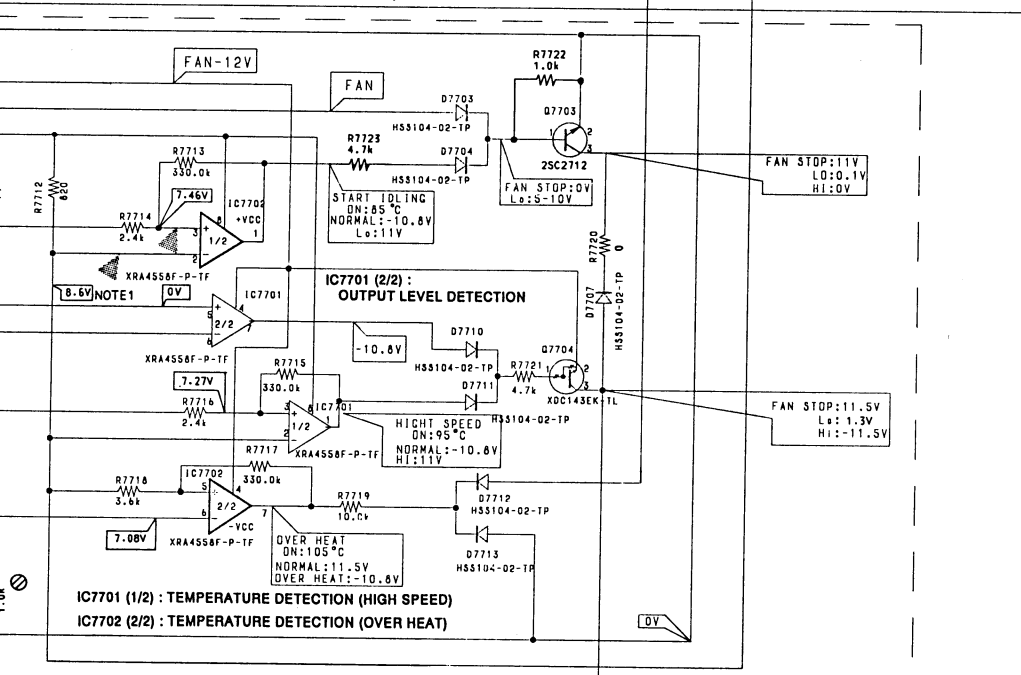
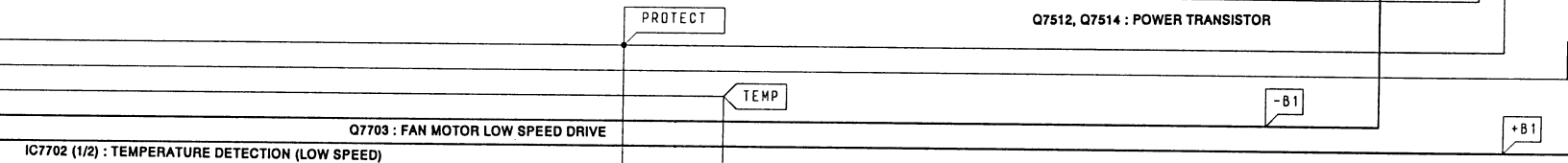
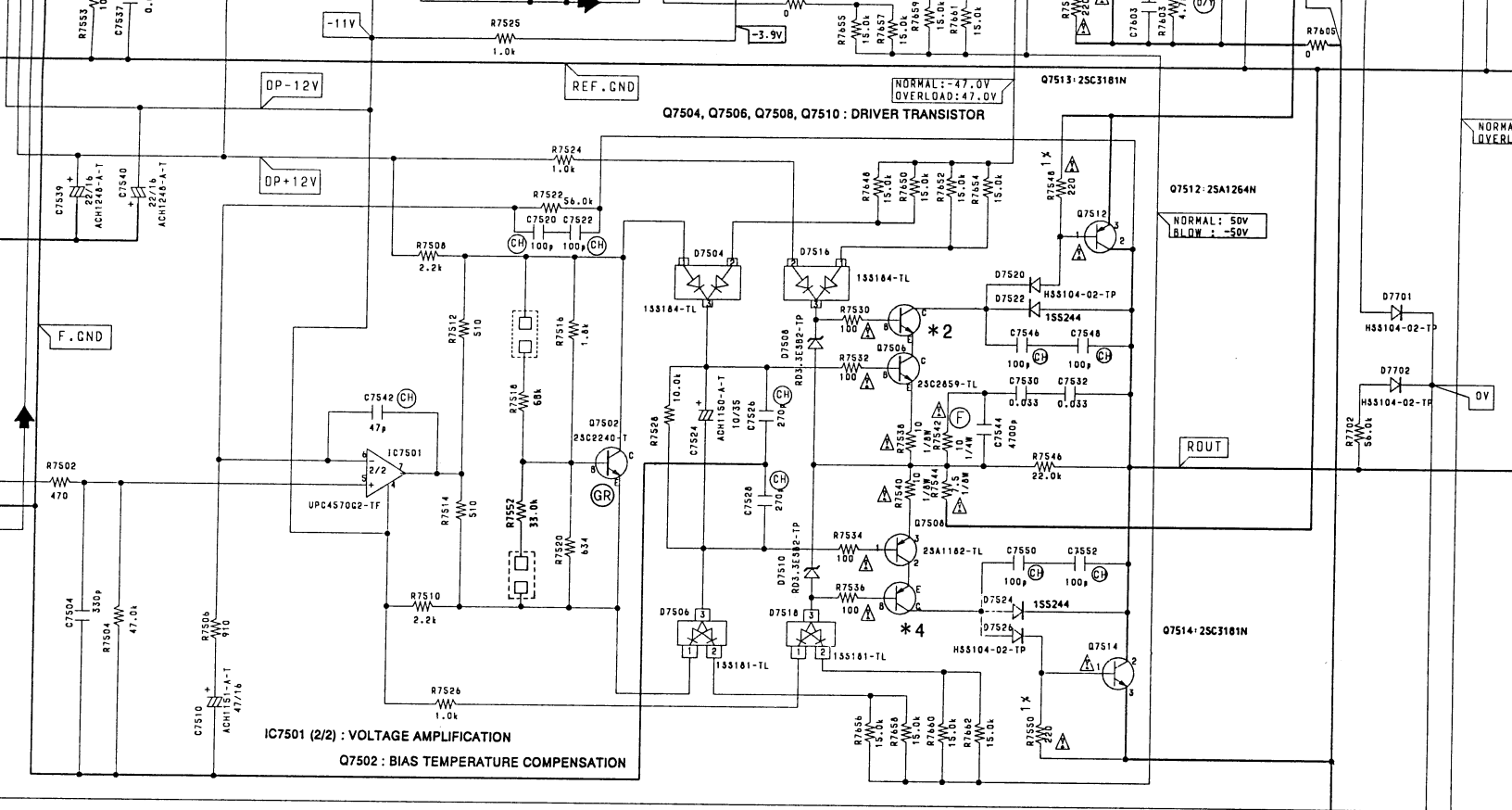
DY

DY

DY

DY

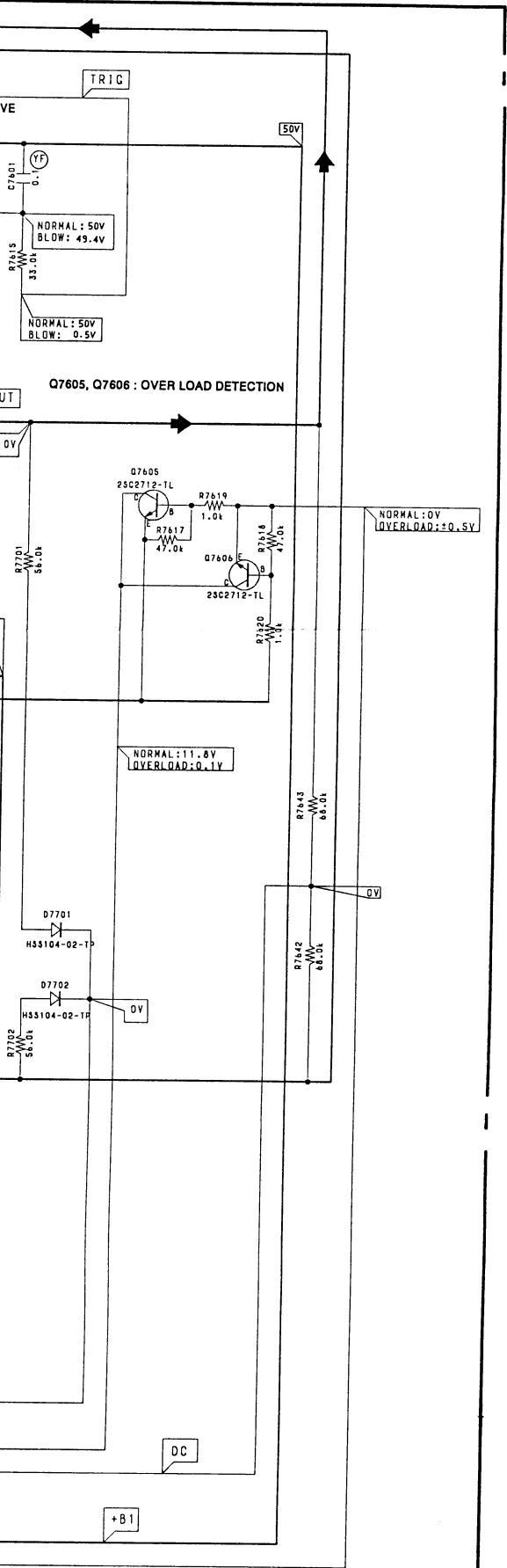
DY



PARTS	KUXJ, KCXJ	EXCEPT KUXJ, KCXJ
*1	Q7503 2SC4793	Q7515 2SD1615
*2	Q7504 2SC4793	Q7516 2SD1615
*3	Q7509 2SA1837	Q7517 2SB1115
*4	Q7510 2SA1837	Q7518 2SB1115
Q7511, Q7512	2SA1264N	2SA1263N
Q7513, Q7514	2SC3181N	2SC3180N

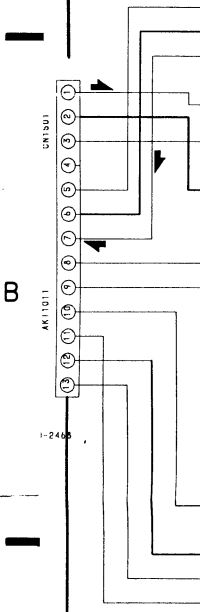
**NOTE1:** This voltage value will be greater or smaller if the temperature varies when the heat sync temperature is 25 ° C.  
 (Reference value :  $V = 8.6 - 0.019 \times \Delta t$ )  
 $\Delta t$ : ± deviation from 25 ° C

SCH-6



A

VOLUME assy  
 (AWZ7316 :  
 (AWZ7077 :  
 (AWZ7078 :  
 (AWZ7082 :



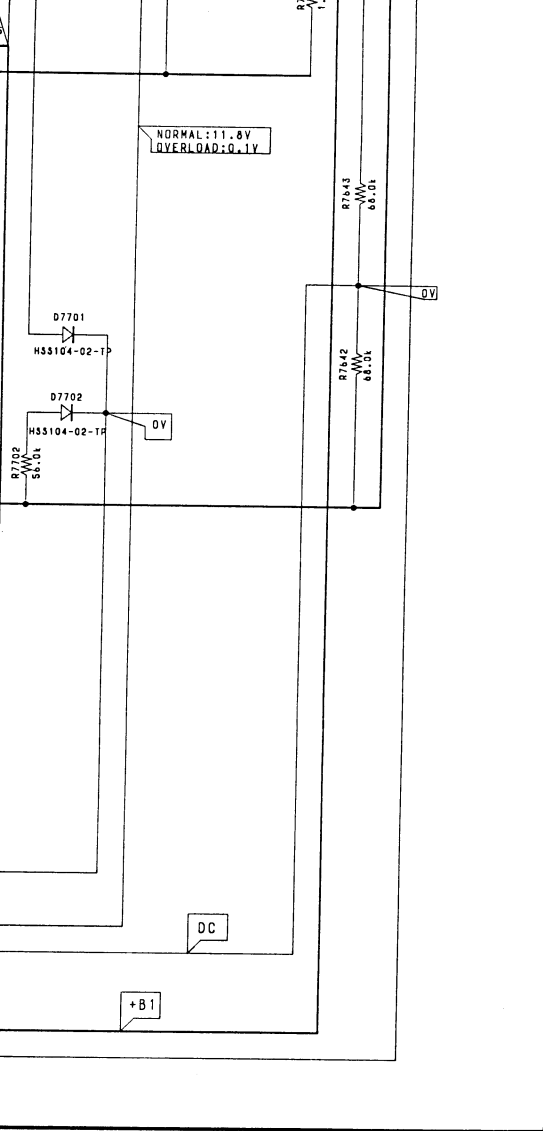
B

C

D







7
KCXJ
15
15
15
15
63N
80N

greater or smaller  
when the heat synch

$$-0.019 \times \Delta t$$

5° C

C

D

E

F

FRONT ASSY FOR 50W  
FRONT ASSY FOR 100W

**SCH-6**

### 3.2 DISPLAY ASSY (2/2), VOLUME ASSY, MIC ASSY, HEAD PHONE ASSY and TAPE IND. ASSY

A

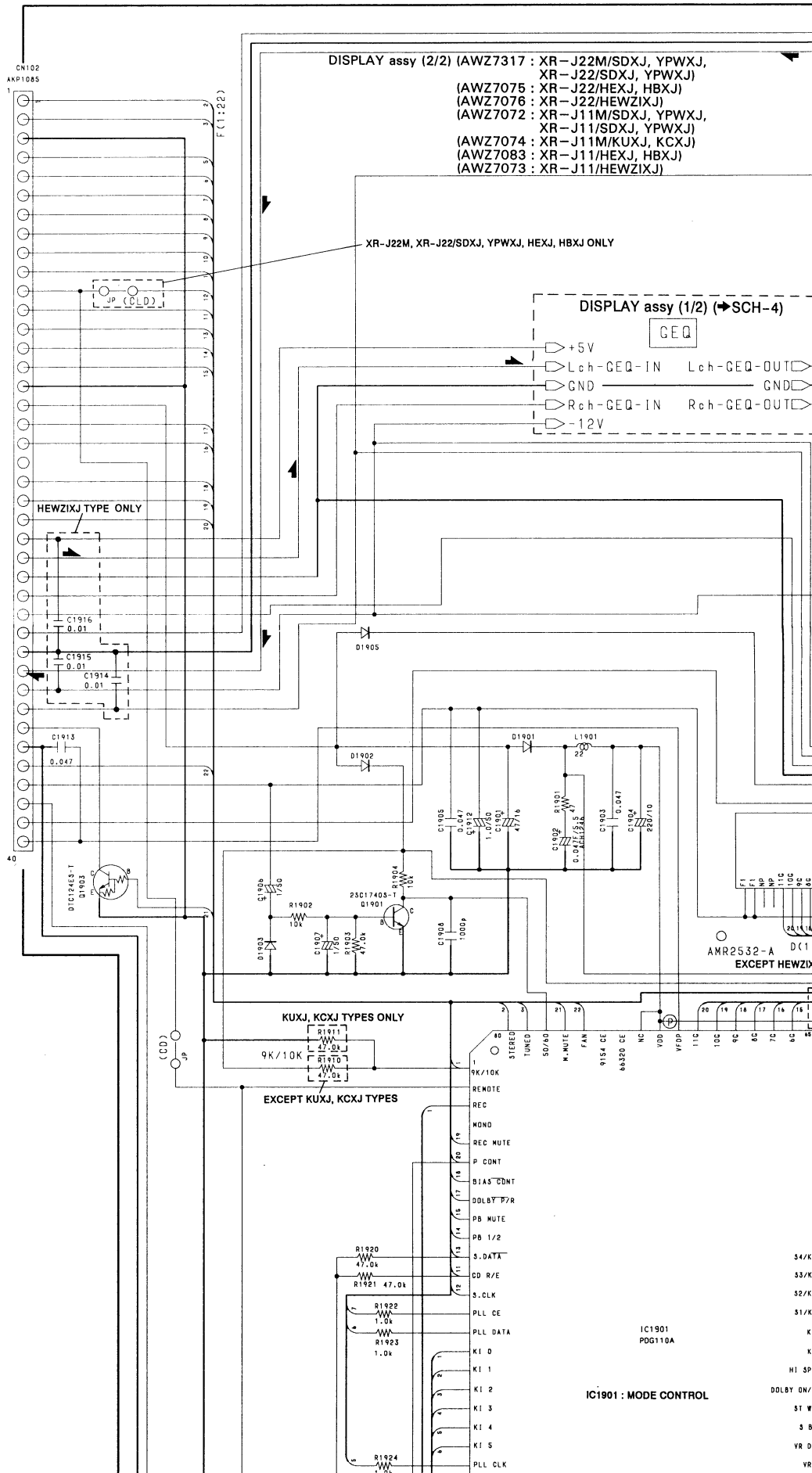
B

C

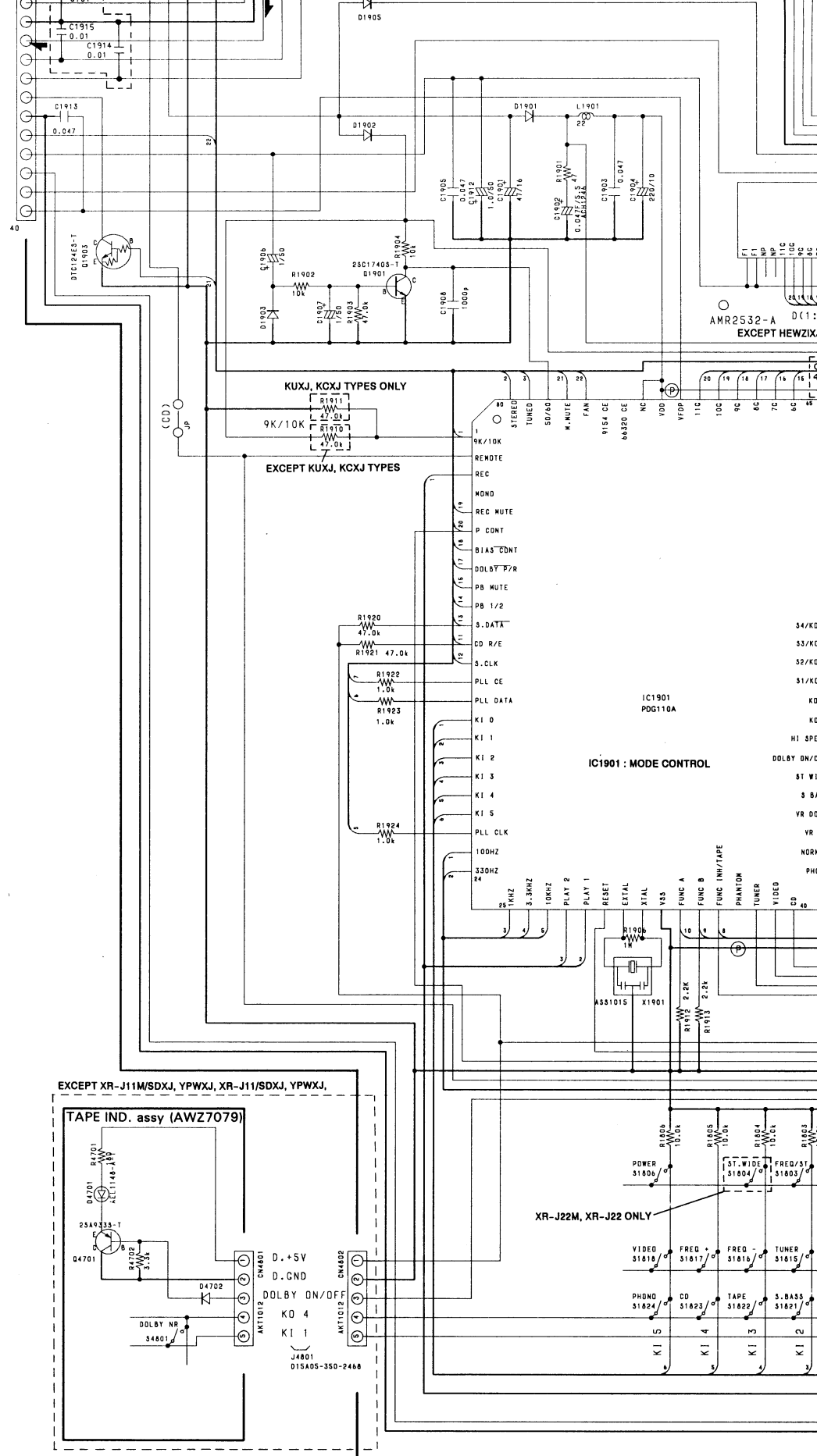
D

To AF assy CN101 (SCH-2)

- STEREO
- TUNED
- MOND
- PLL CLK
- PLL DATA
- PLL CE
- 4052 INH
- 4052 B
- 4052 A
- 9K/10K
- S.CLK(SR)
- CD R/E
- S.DATA
- PB 1/2
- PB MUTE
- u-GND
- u+5.6V
- DOLBY P/R
- DOLBY ON/OFF
- NC
- BIAS CNT
- REC MUTE
- POWER CNT
- SIG +5V
- L IN
- R IN
- MIC
- R OUT
- CND
- L OUT
- SIG -12V
- SIG +12V
- M.MUTE
- M.CND
- FAN
- FL AC1
- M.+12V
- FL AC2
- VFD



R 50V  
 GND  
 L OUT  
 S1C -12V  
 S1C +12V  
 M.MUTE  
 M.GND  
 FAN  
 FL AC1  
 M.+12V  
 FL AC2  
 VFDP



C

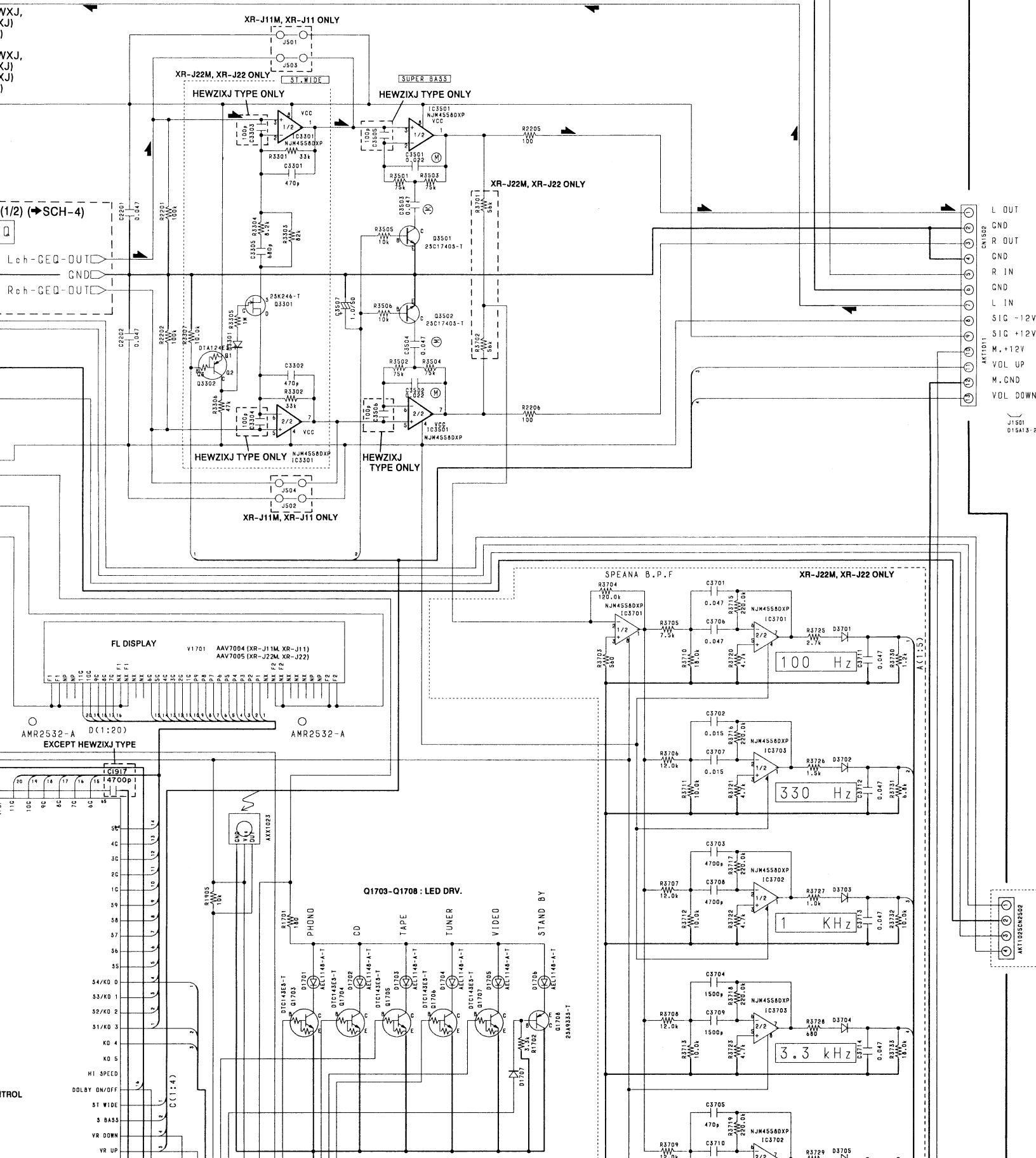
D

E

F

**SCH-5**

DISPLAY ASSY (2/2), VOLUME ASSY,  
 MIC ASSY, HEAD PHONE ASSY,  
 TAPE IND. ASSY



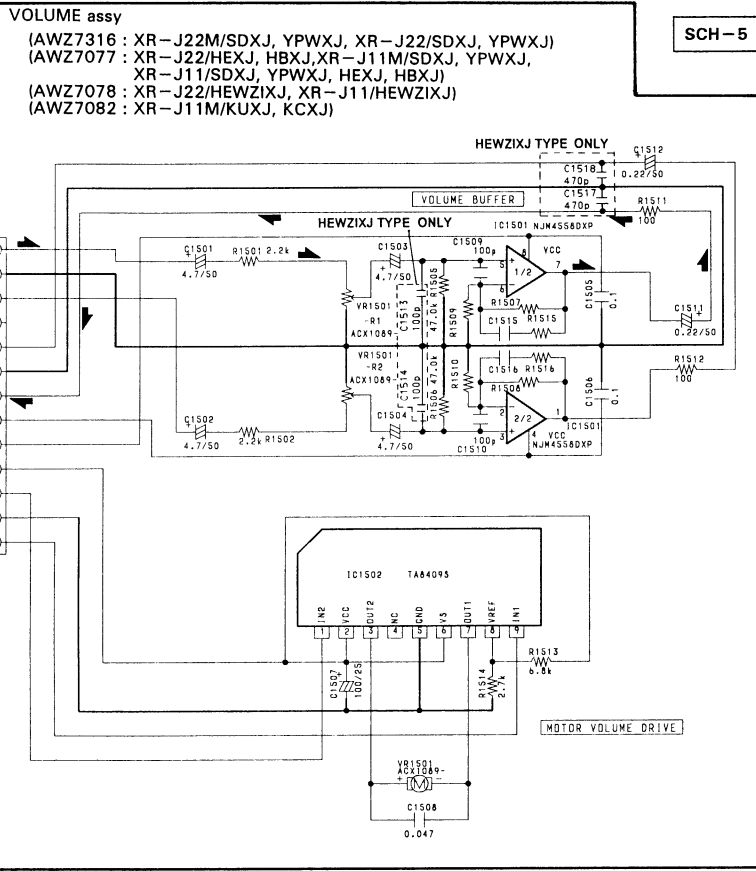


A

B

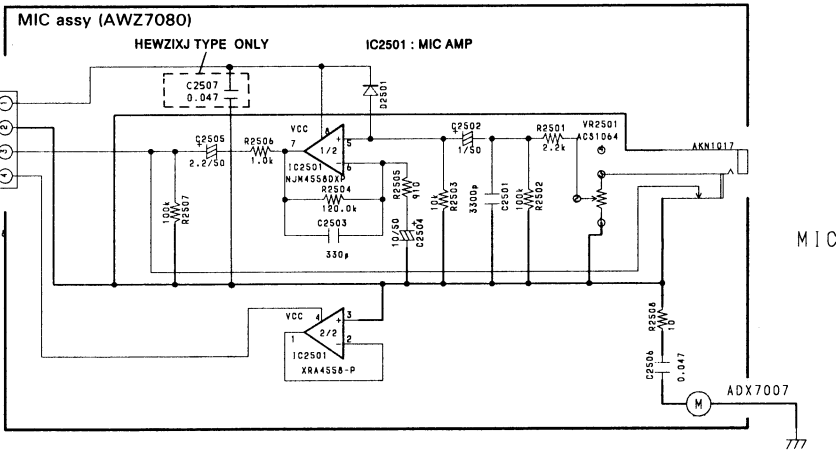
C

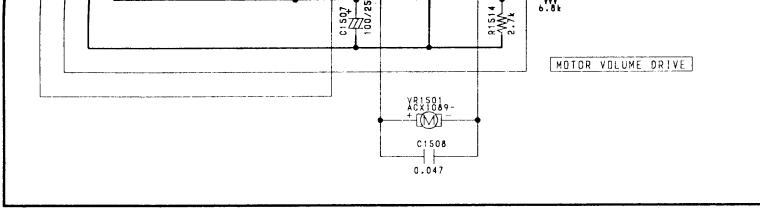
D



	HEXJ, HBXJ HEWZIXJ	KUXJ, KCXJ	SDXJ, YPWXJ
R1507, R1508	8.2k	13k	3.9k
R1515, R1516	13k	22k	3.3k
C1515, C1516	0.068	0.039	0.1
R1509, R1510	1.8k	1.1k	3.0k

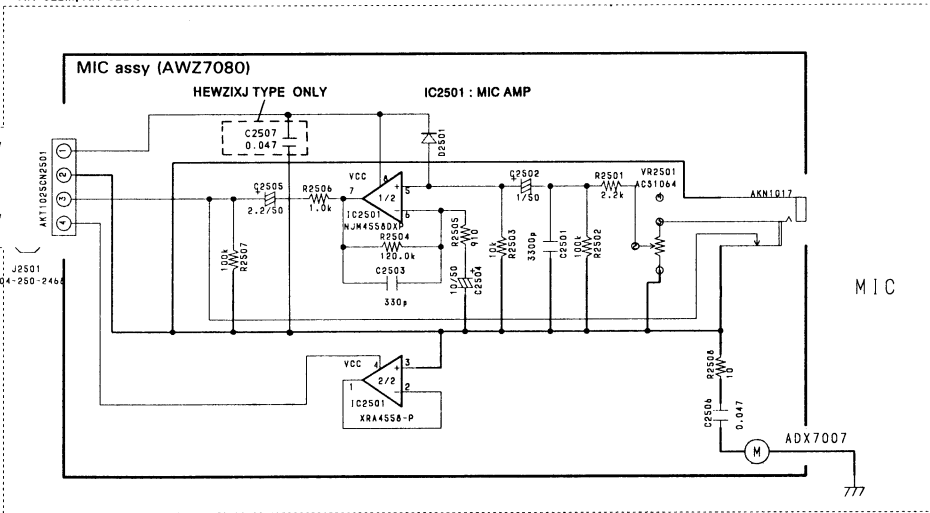
**XR-J22M, XR-J22 ONLY**



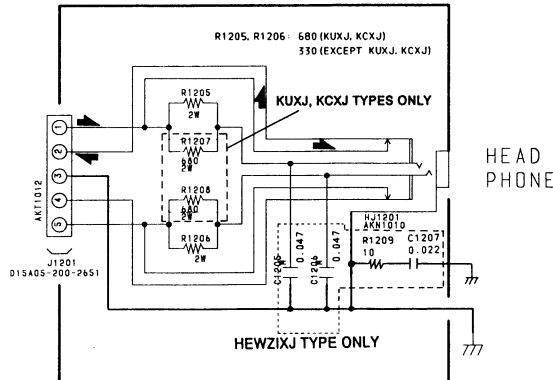


	HEXJ, HBXJ HEWZIXJ	KUXJ, KCXJ	SDXJ, YPWXJ
R1507, R1508	0.2k	13k	3.9k
R1515, R1516	1.7k	22k	3.3k
C1515, C1516	0.068	0.039	0.1
R1509, R1510	1.8k	1.1k	3.0k

XR-J22M, XR-J22 ONLY



To AF assy CN1203 (SCH-2)



HEAD PHONE assy  
 (AWZ7070 : SDXJ, YPWXJ, HEXJ, HBXJ Types)  
 (AWZ7071 : HEWZIXJ Type)  
 (AWZ7210 : KUXJ, KCXJ Types)

SIGNAL ROUTE  
 ▲ : L ch SIGNAL ROUTE

DISPLAY ASSY (2/2), VOLUME ASSY,  
 MIC ASSY, HEAD PHONE ASSY,  
 TAPE IND. ASSY

**SCH-5**

A

B

C

D

PWR, PRTEC assy (AWZ5455)

From AF assy CN1002 (SCH-2)

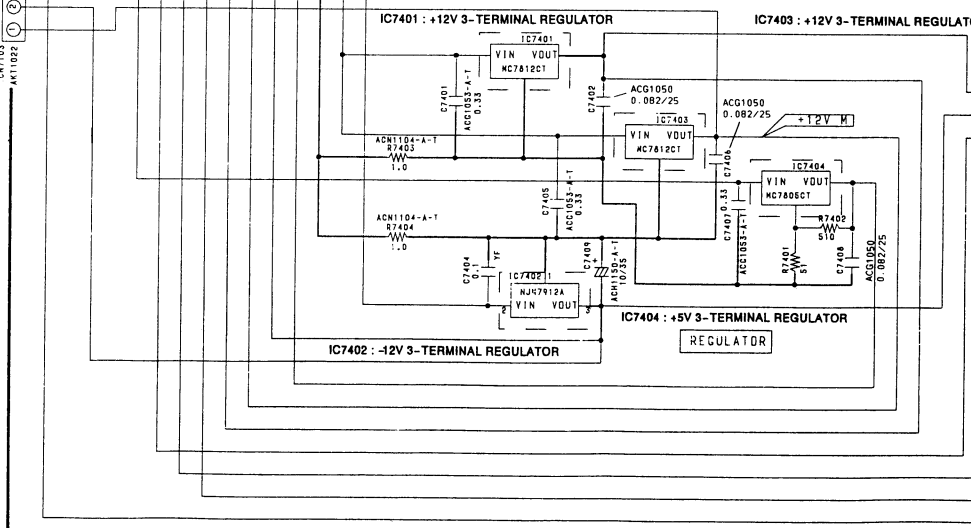
- +12V
- +5.6V
- UNREC+12
- UNREC+5
- REG.GND
- BLDW
- REF.GND
- MUTE
- 12V
- AC
- UNREC-12
- +12V.M.

To FRONT ASSY FOR 50W  
(EXCEPT KUXJ, KCXJ TYPES)  
To FRONT ASSY FOR 100W  
(KUXJ, KCXJ TYPES)  
CN1501 (SCH-6)

- OP+ TRIC.
- OP-
- DC
- PROTECT
- TEMP.
- 12FAN
- +12FAN

CN1001  
PSE12

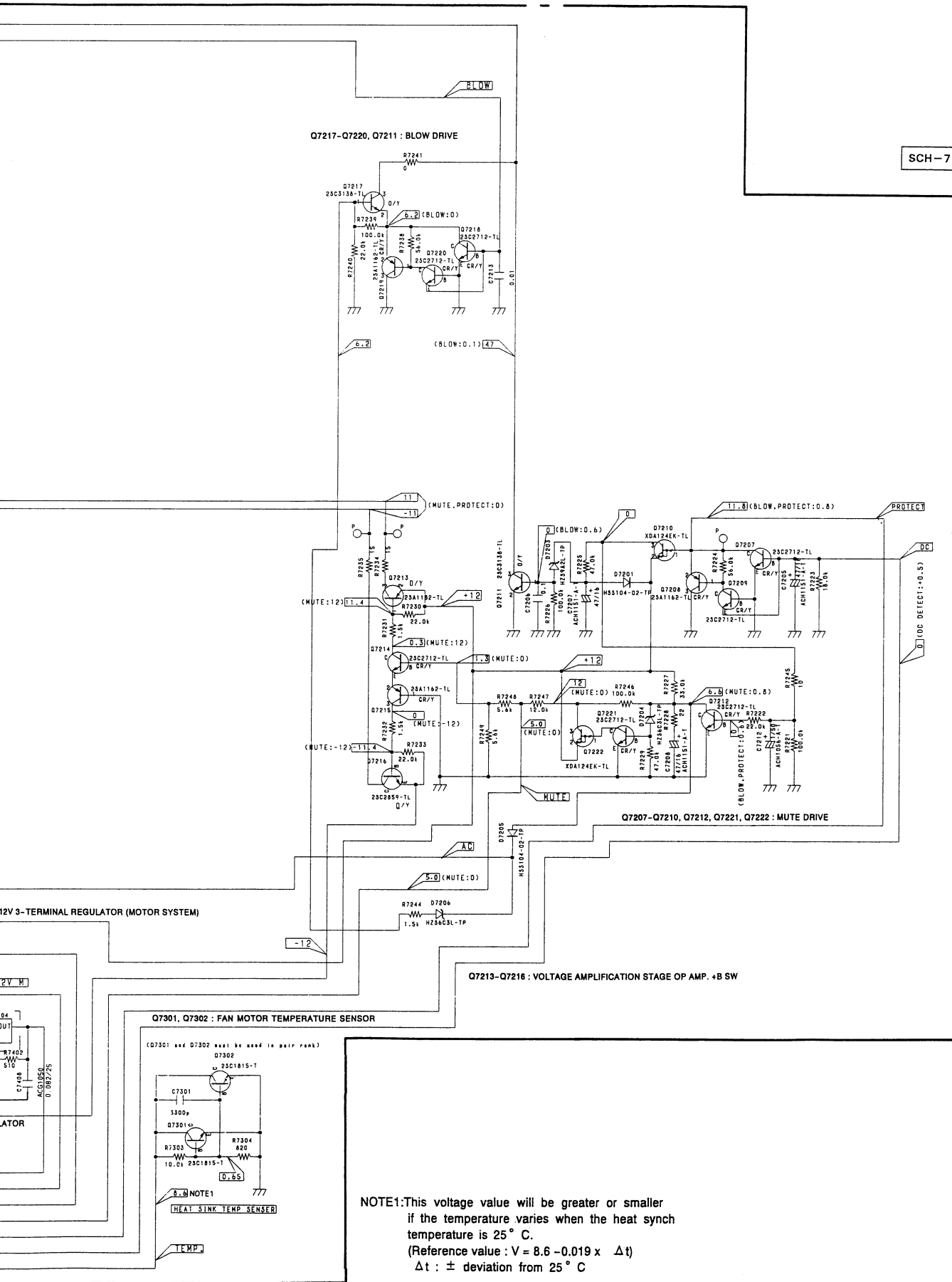
CN1003  
AK11002



**SCH-7**

PWR, PRTEC ASSY





SCH-7

NOTE1: This voltage value will be greater or smaller if the temperature varies when the heat sink temperature is 25 ° C.  
 (Reference value :  $V = 8.6 - 0.019 \times \Delta t$ )  
 $\Delta t$  :  $\pm$  deviation from 25 ° C

SCH-7

5. FM/AM TUNER MODULE

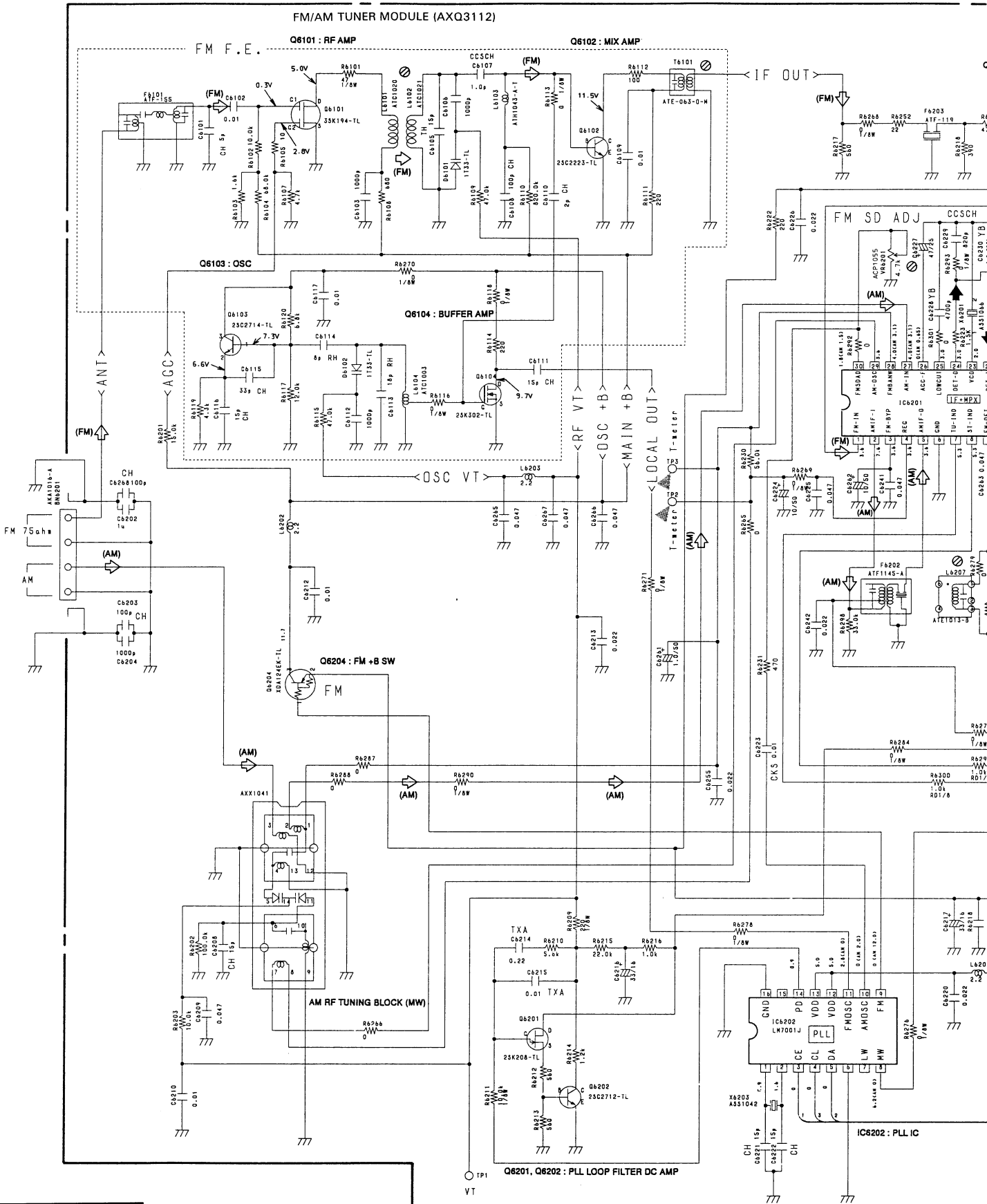
● Except HEWZIXJ Type

A

B

C

D



**SCH-8**

FM/AM TUNER MODULE  
(Except HEWZIXJ Types)





# XR-J22M, XR-J11M XR-J22, XR-J11

### NOTE: VOLTAGE AND CURRENT

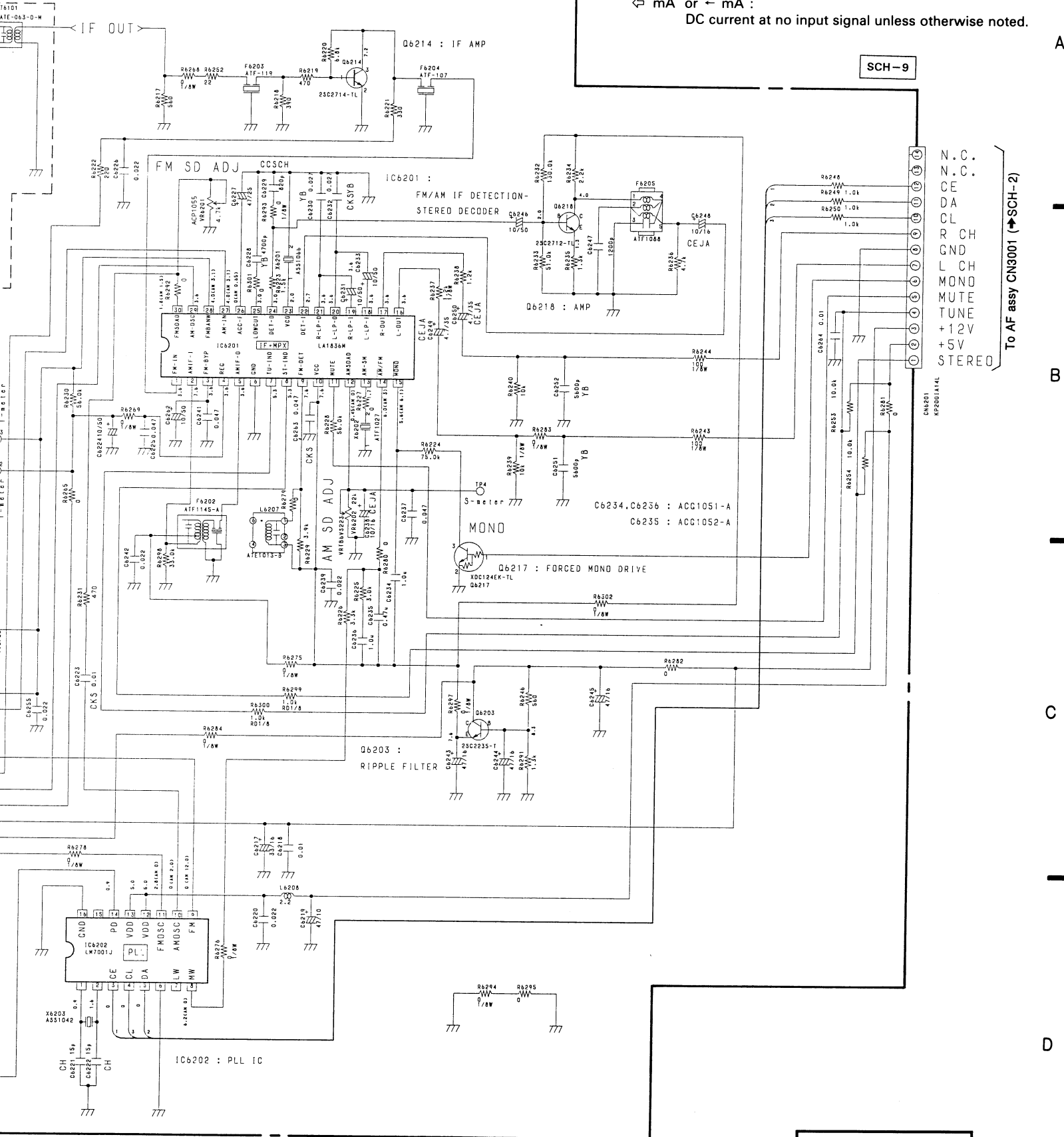
**mV** : Signal voltage at FM 1kHz, 100% MOD.

**V** or **- V** :

DC voltage (V) at no input signal unless otherwise noted.  
Value in ( ) is DC voltage at rated power.

**mA** or **- mA** :

DC current at no input signal unless otherwise noted.



SCH-9

A

B

C

D

FM/AM TUNER MODULE  
(For HEWZIXJ Types)

## SCH-9

6. MOTHER PCB ASSY, SUB PCB ASSY AND SINGLE MECHA ASSY  
(FOR XR-J22 AND XR-J11)

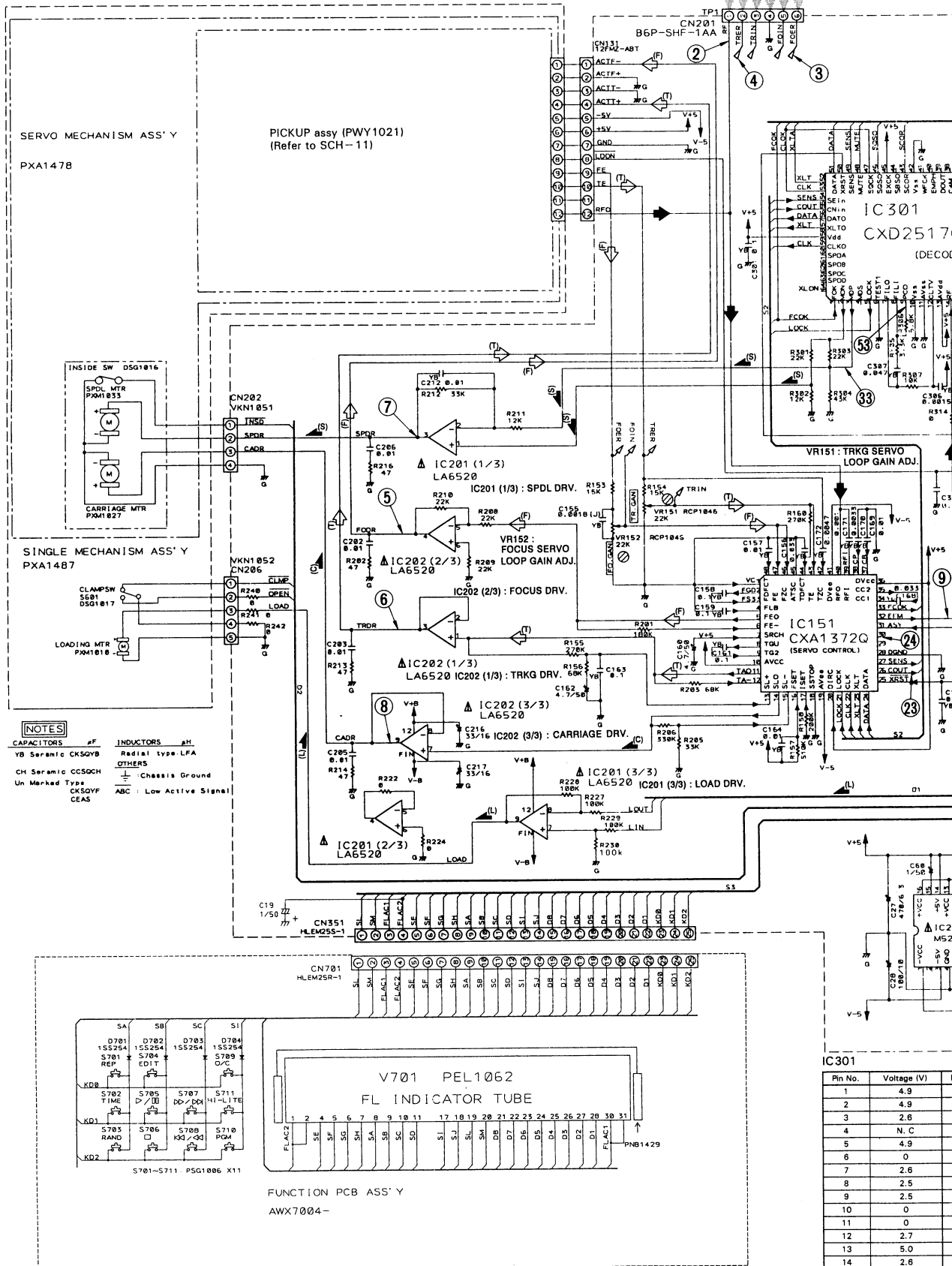
Note: Wave form (See P2-61, 2-62)

A

B

C

D



NOTE : VOLTAGE AND CURRENT

□ or - V :

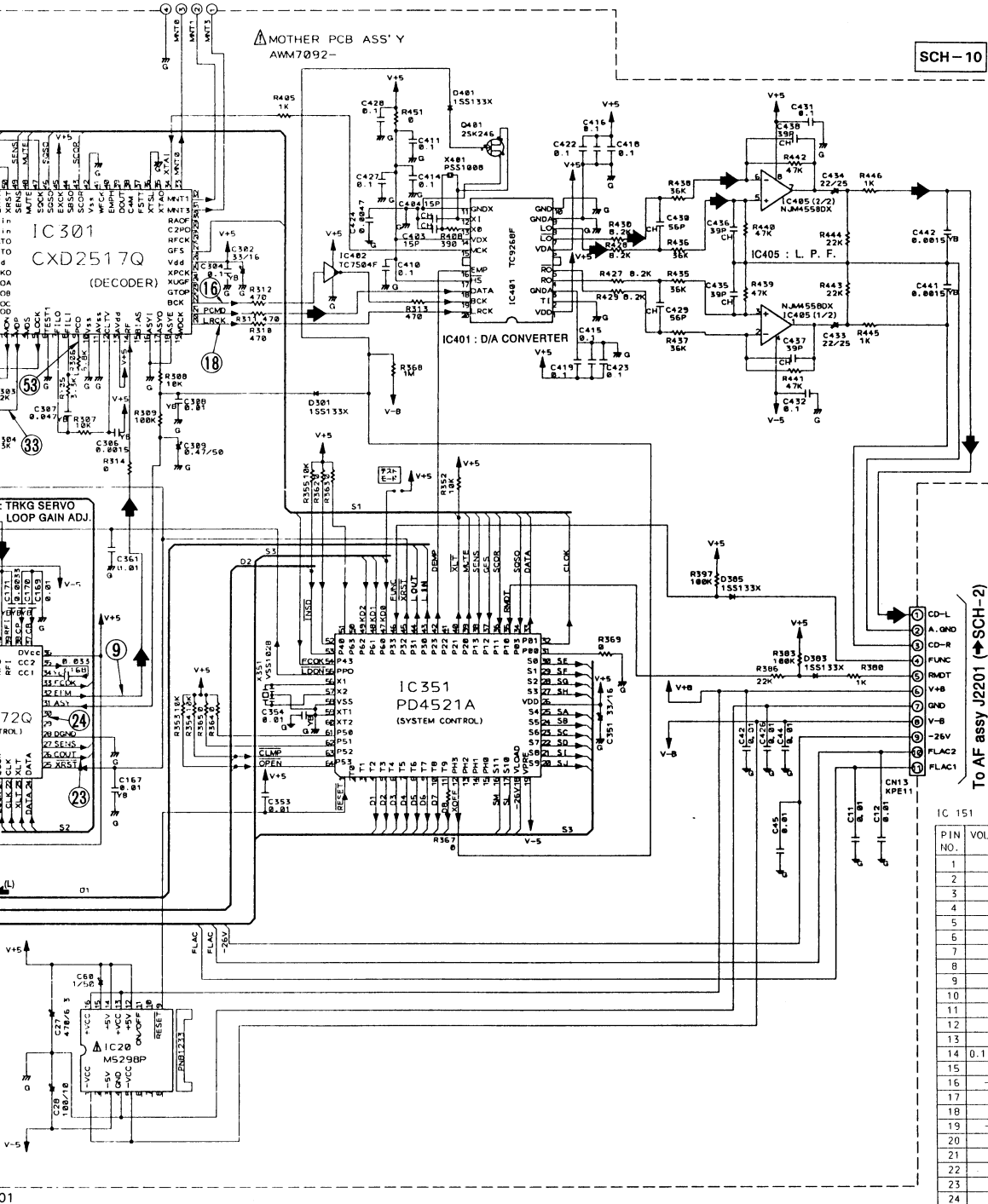
DC voltage (V) in PLAY mode unless otherwise noted.

◁ mA or - mA :

DC current in PLAY mode unless otherwise noted.

Value in ( ) is DC current in STOP mode.

61, 2-62)



SCH-10

IC 151

PIN NO.	VOLTAGE (V)	PIN NO.	VOLTAGE (V)
1	0	25	5.0
2	0	26	0
3	0	27	4.9
4	0	28	0
5	0.4	29	N.C
6	0	30	N.C
7	0.3	31	2.5
8	0	32	2.6
9	0	33	4.9
10	5.0	34	-1.7
11	0	35	-1.9
12	0	36	5.0
13	0	37	-0.9
14	0.1 TO 0.7	38	-2.1
15	0	39	0
16	-4.0	40	0.9
17	1.2	41	-5.0
18	0	42	0
19	-5.0	43	0
20	5.0	44	0
21	5.0	45	0
22	4.9	46	0
23	5.0	47	0
24	4.9	48	0

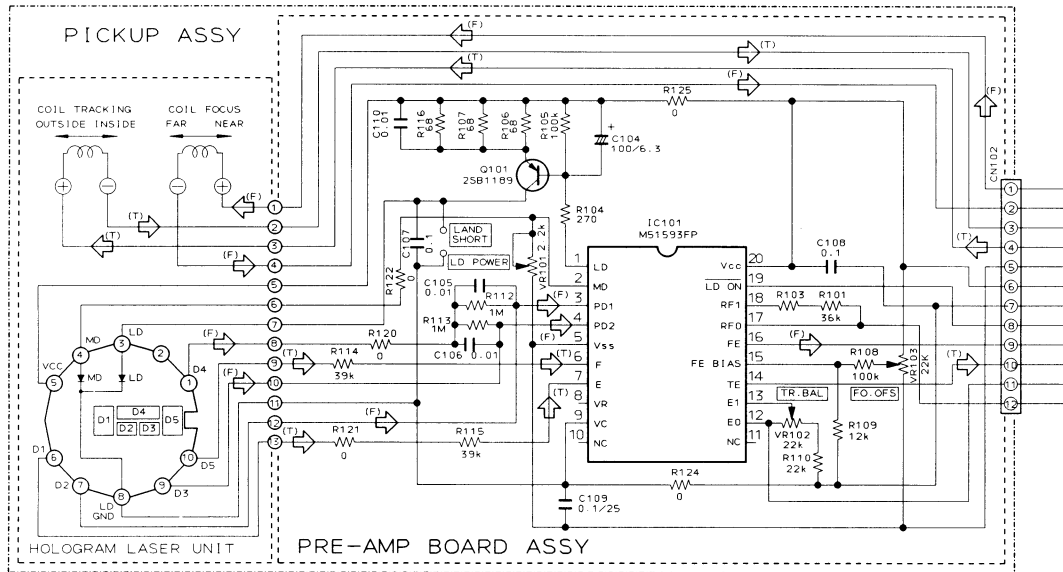
No.	Voltage (V)	Pin No.	Voltage (V)	Pin No.	Voltage (V)	Pin No.	Voltage (V)
1	4.9	17	2.5	33	0	49	2.1 to 3.1
2	4.9	18	0	34	2.3	50	4.9
3	2.6	19	N.C	35	N.C	51	5.0
4	N.C	20	2.5	36	0	52	4.8
5	4.9	21	2.5	37	N.C	53	4.8
6	0	22	2.1	38	N.C	54	4.9
7	2.6	23	N.C	39	N.C	55	0
8	2.5	24	N.C	40	N.C	56	N.C
9	2.5	25	N.C	41	N.C	57	5.0
0	0	26	5.0	42	0	58	5.0
1	0	27	5.0	43	0	59	5.0
2	2.7	28	N.C	44	N.C	60	N.C
3	5.0	29	N.C	45	5.0	61	N.C
4	2.6	30	N.C	46	3.6 to 4.5	62	N.C
5	N.C	31	4.5	47	4.8	63	N.C
6	0	32	0	48	0	64	N.C

- SIGNAL ROUTE
- ▶ : AUDIO SIGNAL ROUTE
  - ◁ : FORCUS SERVO LOOP LINE
  - ◁ : TRKG SERVO LOOP LINE
  - ◁ : LOADING MOTOR ROUTE
  - (S) : SPINDLE MOTOR ROUTE
  - (C) : CARRIAGE MOTOR ROUTE

MOTHER PCB ASSY, SUB PCB ASSY, SINGLE MECHA ASSY

SCH-10

## 7. PICKUP ASSY



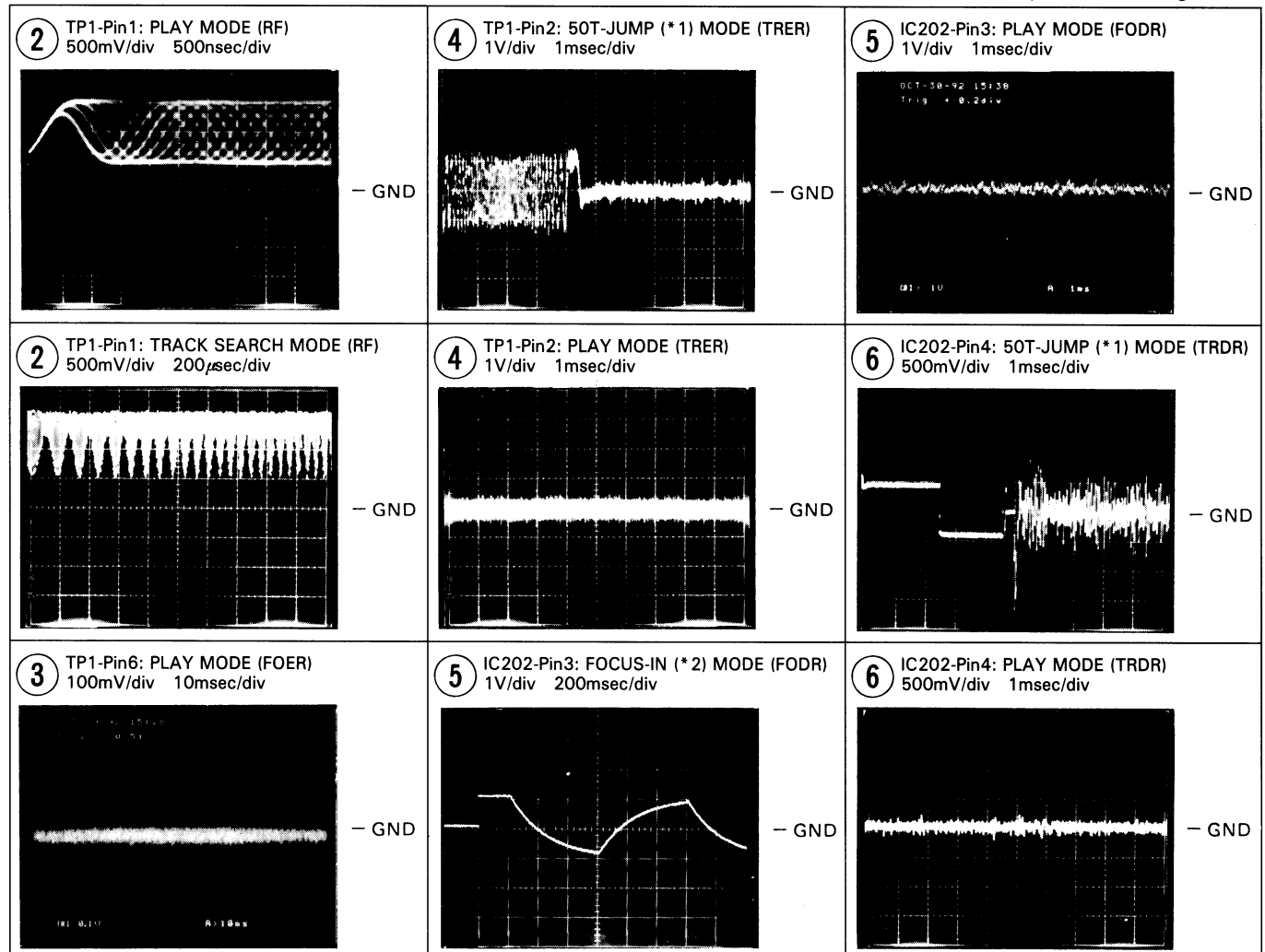
**SCH-11**

PICKUP ASSY

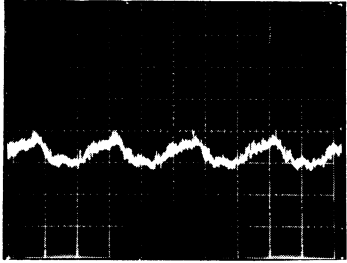
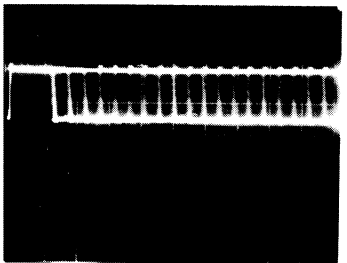
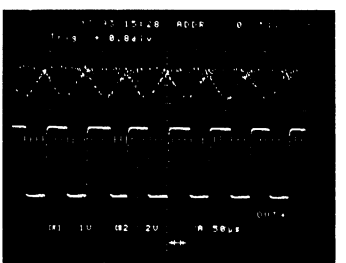
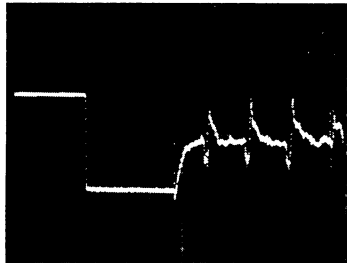
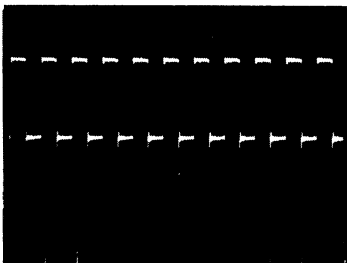
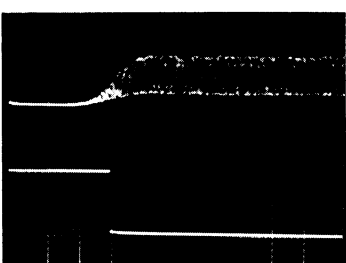

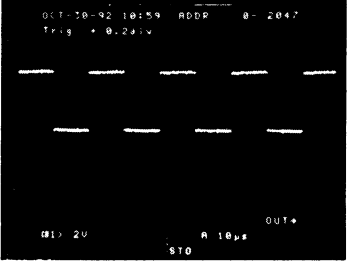
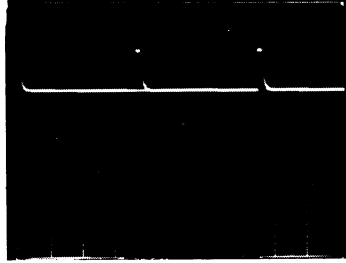
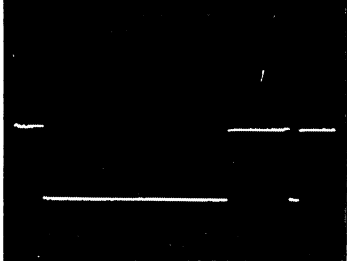
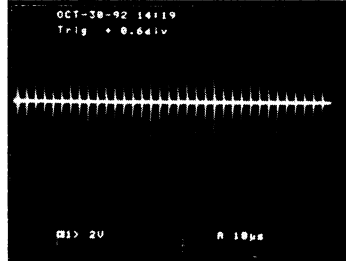
### Waveforms

Note: The encircled numbers denote measuring point in the schematic diagram.

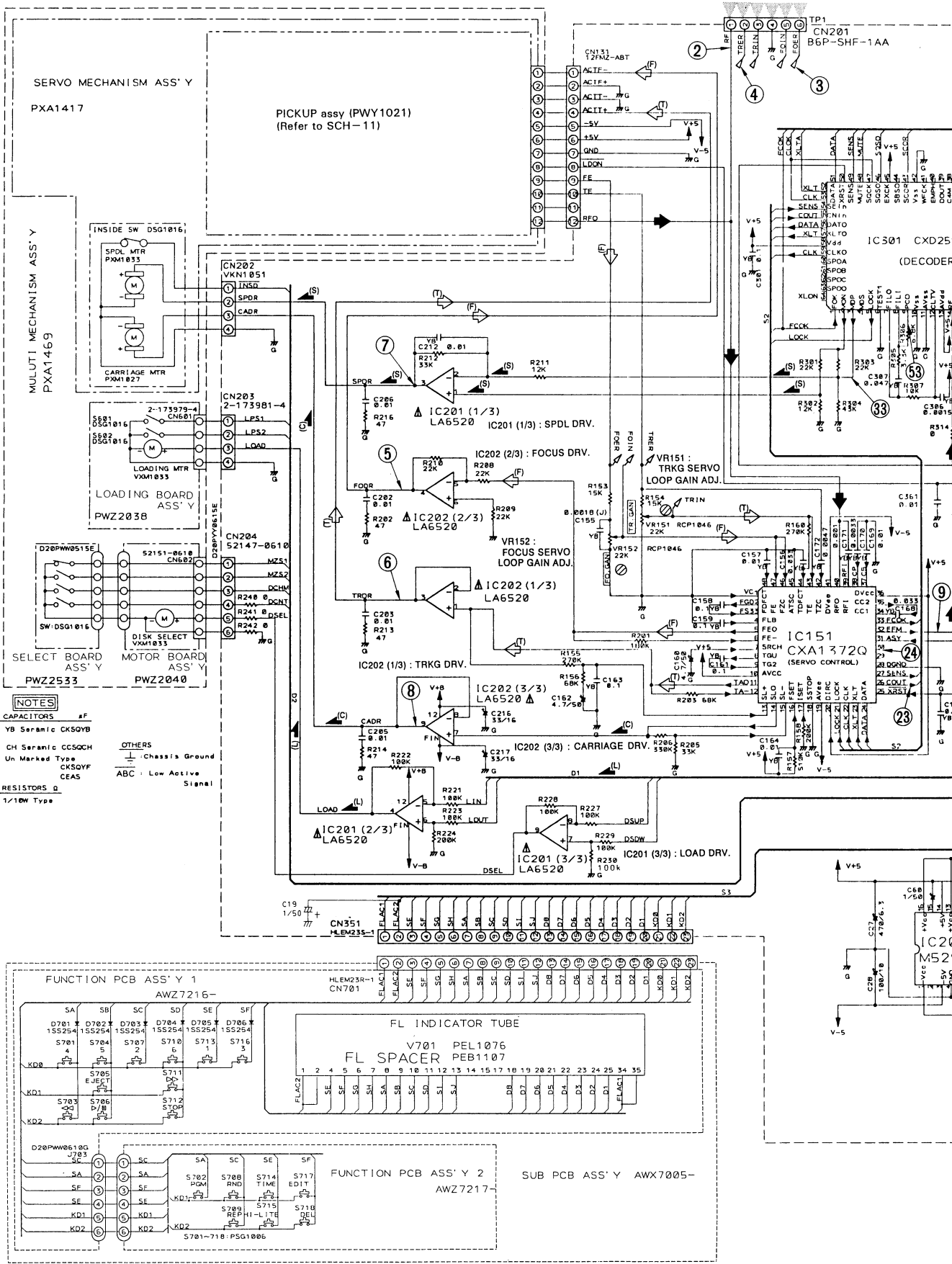
- \* 1 50T-JUMP: After switching to the pause mode, press the manual search key.
- \* 2 FOCUS-IN: Press the key without loading a disc.





<p><b>7</b> IC201-Pin3: PLAY MODE (SPDR) 1V/div 50msec/div</p>  <p style="text-align: right;">- GND</p>	<p><b>9</b> IC151-Pin32: PLAY MODE (EFM) 2V/div 500nsec/div</p>  <p style="text-align: right;">- GND</p>	<p><b>23</b> : TRACK SEARCH MODE Upper: TP1-Pin1 (RF) 1V/div Lower: IC151-Pin26 (C. OUT) 2V/div 50μsec/div</p>  <p style="text-align: right;">- GND - GND</p>
<p><b>7</b> IC201-Pin3: TRACK SEARCH MODE (SPDR) 2V/div 50msec/div</p>  <p style="text-align: right;">- GND</p>	<p><b>16</b> IC301-Pin22: PLAY MODE (1kHz) (BCK) 2V/div 500nsec/div</p>  <p style="text-align: right;">- GND</p>	<p><b>24</b> : PLAY MODE Upper: TP1-Pin1 (RF) 1V/div Lower: IC151-Pin30 (DFCT) 5V/div 200μsec/div</p>  <p style="text-align: right;">- GND - GND</p>
<p><b>8</b> IC202-Pin9: PLAY MODE (CADR) 0.2V/div 2sec/div</p>  <p style="text-align: right;">- GND</p>	<p><b>18</b> IC301-Pin20: PLAY MODE (1kHz) (LRCK) 2V/div 10μsec/div</p>  <p style="text-align: right;">- GND</p>	<p><b>33</b> IC301-Pin3: PLAY MODE (MDP) 2V/div 2μsec/div</p>  <p style="text-align: right;">- GND</p>
<p><b>8</b> IC202-Pin9: TRACK SEARCH MODE (CADR) 2V/div 200msec/div</p>  <p style="text-align: right;">- GND</p>		<p><b>53</b> IC301-Pin9: PLAY MODE (PCO) 2V/div 10μsec/div</p>  <p style="text-align: right;">- GND</p>

Note: Wave form (See P2-61, 2-62)



A

B

C

D

# SCH-12

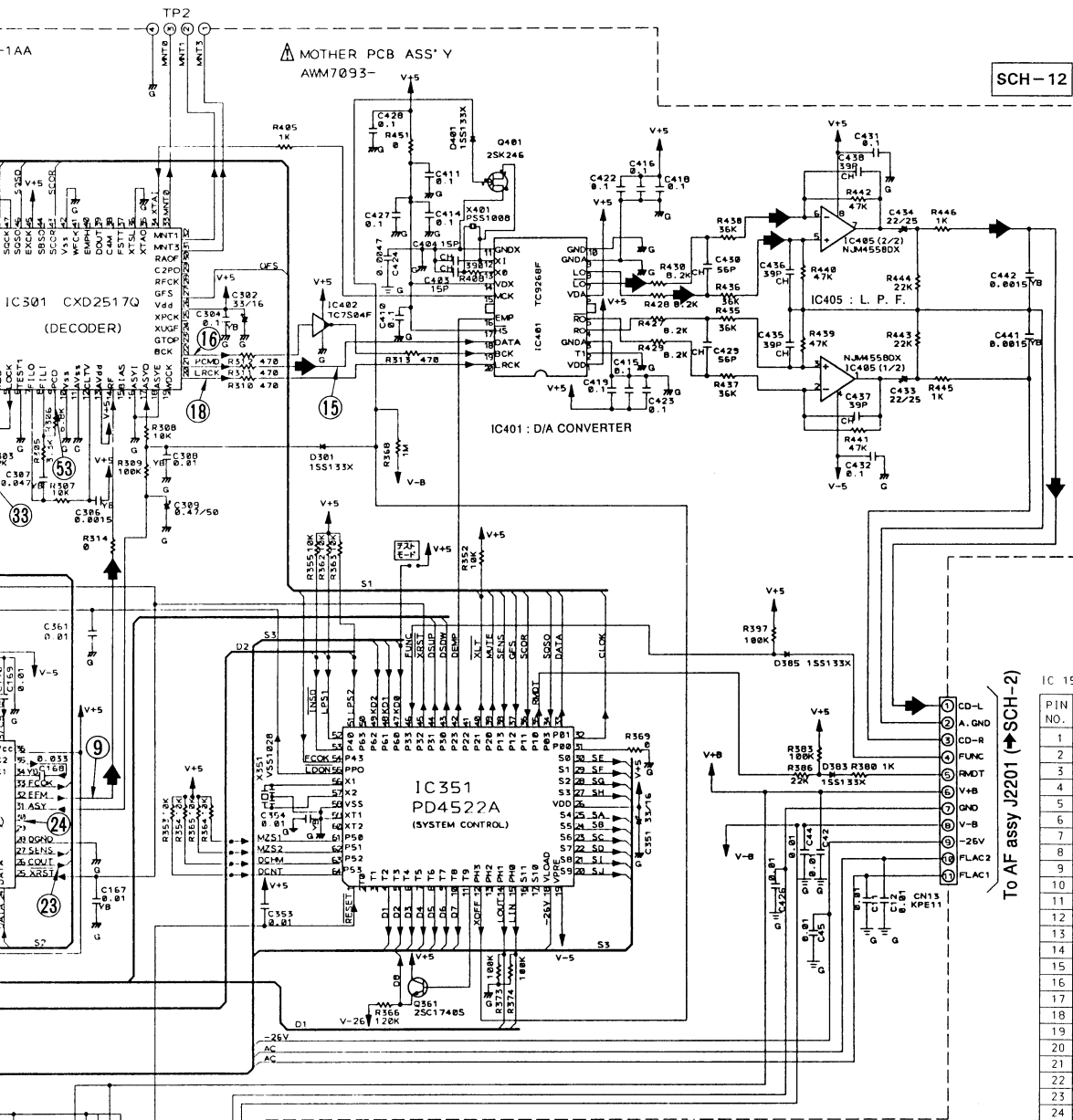
MOTHER PCB ASSY, FUNCTION PCB ASSY 1, FUNCTION PCB ASSY 2, MULTI MECHA ASSY

NOTE: VOLTAGE

□ or - V : DC volt

← mA or - m : DC cur

Value i



SCH-12

To AF assy J201 (SCH-2)

IC 151

PIN NO.	VOLTAGE (V)	PIN NO.	VOLTAGE (V)
1	0	25	5.0
2	0	26	0
3	0	27	4.9
4	0	28	0
5	0.4	29	N.C
6	0	30	N.C
7	0.3	31	2.5
8	0	32	2.6
9	0	33	4.9
10	5.0	34	-1.7
11	0	35	-1.9
12	0	36	5.0
13	0	37	-0.9
14	0.1 TO 0.7	38	-2.1
15	0	39	0
16	-4.0	40	0.9
17	1.2	41	-5.0
18	0	42	0
19	-5.0	43	0
20	5.0	44	0
21	5.0	45	0
22	4.9	46	0
23	5.0	47	0
24	4.9	48	0

IC301

Pin No.	Voltage (V)	Pin No.	Voltage (V)	Pin No.	Voltage (V)	Pin No.	Voltage (V)
1	4.9	17	2.5	33	0	49	2.1 to 3
2	4.9	18	0	34	2.3	50	4.9
3	2.6	19	N.C	35	N.C	51	5.0
4	N.C	20	2.5	36	0	52	4.8
5	4.9	21	2.5	37	N.C	53	4.8
6	0	22	2.1	38	N.C	54	4.9
7	2.6	23	N.C	39	N.C	55	0
8	2.5	24	N.C	40	N.C	56	5.0
9	2.5	25	N.C	41	N.C	57	5.0
10	0	26	5.0	42	0	58	5.0
11	0	27	5.0	43	0	59	5.0
12	2.7	28	N.C	44	N.C	60	N.C
13	5.0	29	N.C	45	5.0	61	N.C
14	2.6	30	N.C	46	3.6 to 4.5	62	N.C
15	N.C	31	4.5	47	4.8	63	N.C
16	0	32	0	48	0	64	N.C

- SIGNAL ROUTE
- : AUDIO SIGNAL ROUTE
  - Ⓜ : FORCUS SERVO LOOP LINE
  - Ⓛ : TRKG SERVO LOOP LINE
  - Ⓛ : LOADING MOTOR ROUTE
  - Ⓜ : SPINDLE MOTOR ROUTE
  - Ⓛ : CARRIAGE MOTOR ROUTE

VOLTAGE AND CURRENT

or ← V : DC voltage (V) in PLAY mode unless otherwise noted.  
 mA or ← mA : DC current in PLAY mode unless otherwise noted.  
 Value in ( ) is DC current in STOP mode.

MOTHER PCB ASSY, FUNCTION PCB ASSY 1,  
FUNCTION PCB ASSY 2, MULTI MECHA ASSY

**SCH-12**

## 1.5 PARTS LIST FOR PACKING AND EXPLODED VIEWS

**NOTES :**

- Parts marked by "NSP" are generally unavailable because they are not in our Master Spare Parts List.
- The  $\Delta$  mark found on some component parts indicates the importance of the safety factor of the part. Therefore, when replacing, be sure to use parts of identical designation.
- Parts marked by "⊙" are not always kept in stock. Their delivery time may be longer than usual or they may be unavailable.

### 1.5.1 PACKING

■ **FOR XR-J22M**

● **PART NUMBER DIFFERENCES BETWEEN XR-J22M/SDXJ AND YPWXJ**

Part number differs between XR-J22M/SDXJ and YPWXJ.

Mark	No.	Description	Part No.		Remarks
			XR-J22M		
			SDXJ	YPWXJ	
NSP	5	Operating instructions (Spanish/Chinese)	ARC7013	Not used	
	7	Caution (220V)	ARR-003	Not used	
NSP	11	Packing case	AHD7027	AHD7028	
	14	Warranty card	Not used	ARY1067	

● **For XR-J22M/SDXJ**

Mark	No.	Description	Parts No.
	1	Remote control unit	AXD7010
NSP	2	Battery (R6P)	AEX-010
NSP	3	Poly. bag	AHG1105
	4	Front pad	AHA7014
	5	Operating instructions (ENGLISH)	ARB7009
	6	Operating instructions (Spanish/Chinese)	ARC7013
NSP	7	Caution (220V)	ARR-003
	8	FM Antenna	ADH1017
	9	Loop antenna ASSY	ATB1009
	10	Rear pad	AHA7015
	11	Packing case	AHD7027
NSP	12	Sheet	AHG7002
	13	Magazine ASSY	PXA1523
	14	.....	
	15	Battery cover	AZA7028

■ FOR XR-J11M

● PART NUMBER DIFFERENCES BETWEEN XR-J11M/SDXJ, YPWXJ, KUXJ AND KCXJ

Part number differs between XR-P11M/SDXJ, YPWXJ, KUXJ and KCXJ.

Mark	No.	Description	Part No.				Remarks
			XR-J11M				
			SDXJ	YPWXJ	KUXJ	KCXJ	
NSP	5	Operating instructions (Spanish/Chinese)	ARC7013	Not used	Not used	Not used	
	6	Operating instructions (French)	Not used	Not used	Not used	ARC7014	
	7	Caution (220V)	ARR-003	Not used	Not used	Not used	
NSP	11	Packing case	AHD7022	AHD7023	AHD7024	AHD7024	
	14	Warranty card	Not used	ARY1067	ARY1051	ARY1039	

● For XR-J11M/SDXJ

Mark	No.	Description	Parts No.
NSP	1	Remote control unit	AXD7010
	2	Battery (R6P)	AEX-010
	3	Poly. bag	AHG1105
	4	Front pad	AHA7014
	5	Operating instructions (ENGLISH)	ARB7009
NSP	6	Operating instructions (Spanish/Chinese)	ARC7013
	7	Caution (220V)	ARR-003
	8	FM Antenna	ADH1017
	9	Loop antenna ASSY	ATB1009
	10	Rear pad	AHA7015
	NSP	11	Packing case
12		Sheet	AHG7002
13		Magazine ASSY	PXA1523
14		.....	
15		Battery cover	AZA7028

■ **FOR XR-J22**

● **PART NUMBER DIFFERENCES BETWEEN XR-J22/SDXJ, YPWXJ, HBXJ, HEXJ AND HEWZIXJ**

Part number differs between XR-J22/SDXJ, YPWXJ, HBXJ, HEXJ and HEWZIXJ.

Mark	No.	Description	Part No.					Remarks
			XR-J22					
			SDXJ	YPWXJ	HBXJ	HEXJ	HEWZIXJ	
	5	Operating instructions (ENGLISH)	ARB7008	ARB7008	ARB7008	Not used	Not used	
	6	Operating instructions (Spanish/Chinese)	ARC7010	Not used	Not used	Not used	Not used	
	5	Operating instructions (*)	Not used	Not used	Not used	ARE7012	Not used	
	6	Operating instructions (**)	Not used	Not used	Not used	ARC7011	Not used	
	5	Operating instructions (German/Italian)	Not used	Not used	Not used	Not used	ARC7012	
NSP	7	Caution (220V)	ARR-003	Not used	ARM1003	Not used	Not used	
	11	Packing case	AHD7025	AHD7026	AHD7053	AHD7053	AHD7053	
NSP	14	Warranty card	Not used	ARY1067	ARW-088	ARW-088	ARW-088	
	8	FM Antenna	ADH1017	ADH1017	ADH1017	ADH1017	ADH1019	

\*: English/German /French/Italian

\*\* : Spanish/Swedish/Dutch/Portuguese

● **For XR-J22/SDXJ**

Mark	No.	Description	Parts No.
	1	Remote control unit	AXD7010
NSP	2	Battery (R6P)	AEX-010
NSP	3	Poly. bag	AHG1105
	4	Front pad	AHA7014
	5	Operating instructions (ENGLISH)	ARB7008
	6	Operating instructions (Spanish/Chinese)	ARC7010
NSP	7	Caution (220V)	ARR-003
	8	FM Antenna	ADH1017
	9	Loop antenna	ATB1009
	10	Rear pad	AHA7015
	11	Packing case	AHD7025
NSP	12	Sheet	AHG7002
	13	.....	
	14	.....	
	15	Battery cover	AZA7028

■ **FOR XR-J11**

● **PART NUMBER DIFFERENCES BETWEEN XR-J11/SDXJ, YPWXJ, HBXJ, HEXJ AND HEWZIXJ**

Part number differs between XR-J11/SDXJ, YPWXJ, HBXJ, HEXJ and HEWZIXJ.

Mark	No.	Description	Part No.					Remarks
			XR-J11					
			SDXJ	YPWXJ	HBXJ	HEXJ	HEWZIXJ	
	5	Operating instructions (ENGLISH)	ARB7008	ARB7008	ARB7008	Not used	Not used	
	6	Operating instructions (Spanish/Chinese)	ARC7010	ARC7010	Not used	Not used	Not used	
	5	Operating instructions (*)	Not used	Not used	Not used	ARE7012	Not used	
	6	Operating instructions (**)	Not used	Not used	Not used	ARC7011	Not used	
	5	Operating instructions (German/Italian)	Not used	Not used	Not used	Not used	ARC7012	
NSP	7	Caution (220V)	ARR-003	Not used	ARM1003	Not used	Not used	
	11	Packing case	AHD7020	AHD7021	AHD7052	AHD7052	AHD7052	
NSP	14	Warranty card	Not used	ARY1067	ARW1048	ARW1048	ARW1048	
	8	FM antenna	ADH1017	ADH1017	ADH1008	ADH1017	ADH1019	

\*: English/German /French/Italian  
 \*\*: Spanish/Swedish/Dutch/Portuguese

● **For XR-J11/SDXJ**

Mark	No.	Description	Parts No.
	1	Remote control unit	AXD7010
NSP	2	Battery (R6P)	AEX-010
NSP	3	Poly. bag	AHG1105
	4	Front pad	AHA7014
	5	Operating instructions (ENGLISH)	ARB7008
	6	Operating instructions (Spanish/Chinese)	ARC7010
NSP	7	Caution (220V)	ARR-003
	8	FM Antenna	ADH1017
	9	Loop antenna ASSY	ATB1009
	10	Rear pad	AHA7015
	11	Packing case	AHD7020
NSP	12	Sheet	AHG7002
	13	.....	
	14	.....	
	15	Battery cover	AZA7028

## 1.5.2 EXTERIOR

### ■ FOR XR-J22M

#### ● PART NUMBER DIFFERENCES BETWEEN XR-J22M/SDXJ AND YPWXJ

Part number differs between XR-J22M/SDXJ and YPWXJ.

Mark	No.	Description	Part No.		Remarks
			XR-J22M		
			SDXJ	YPWXJ	
	62	Rear panel	ANC7082	ANC7083	
	67	Voltage selector	AKX-507	Not used	
NSP	68	AF ASSY	AWZ7059	AWZ7060	
	75	AC Power cord	ADG1051	ADG1123	
	73	Fuse (FU1102: T1A)	AEK-508	Not used	
NSP	97	Name label	AAL7042	AAL7043	
NSP	98	Manufactured label	AAX-372	Not used	
NSP	100	Caution label (F)	Not used	ARW1021	
NSP	99	Caution label	Not used	ARW1023	

#### ● For XR-J22M/SDXJ

Mark	No.	Description	Parts No.	Mark	No.	Description	Parts No.
	1	.....			31	GEQ. panel	AAK7035
	2	.....			32	Amp. panel	AAK7032
	3	Function panel	AMB7052		33	Stand by lenz	AAK7040
	4	Display window	AAK7047		34	Power button	AAD7022
	5	Door	AAK7049		35	.....	
	6	Door spring	ABH7005		36	Dolby button	AAD7017
	7	Function button	AAD7033		37	S. bass button	AAD7021
	8	Mode button	AAD7034		38	Band button	AAD7020
	9	.....			39	Tuning buton	AAD7019
	10	.....			40	ST. wide button	AAD7023
	11	Flexible cable (23P FFC)	PDD1058		41	Function button	AAD7018
NSP	12	Under base	PNA1832		42	Deck knob A	AAE7000
	13	Supporting feet	AXA7010		43	Deck knob B	AAE7001
NSP	14	PCB support	AEC7006		44	Deck knob C	AAE7002
	15	Multi CD Mother PCB ASSY	AWM7093		45	Deck knob D	AAE7003
	16	.....			46	Deck knob E	AAE7004
	17	.....			47	Deck knob F	AAE7005
NSP	18	Multi mech. ASSY	PXA1469	NSP	48	Deck knob holder	ANG7008
	19	.....			49	Damper ASSY	AXA1008
NSP	20	Earth lead Unit	XDF-503	NSP	50	Display ASSY	AWZ7317
	21	.....			51	Flexible flat cable	ADD1112
	22	Cassette door (L)	AAN7010	NSP	52	Head phone ASSY	AWZ7070
	23	Cassette door (R)	AAN7011	NSP	53	Tape IND. ASSY	AWZ7079
	24	Door panel L	AAK7036	NSP	54	MIC assy	AWZ7080
	25	Door panel R	AAK7037		55	Jack holder	ANG7007
	26	Keep plate	ABK1017		56	Cassette mech. unit	AWY1174
	27	Spring	ABH1078		57	Connecting holder R	ANG7006
	28	Keep plate	ABK1017		58	Connecting holder L	ANG7005
	29	Spring	ABH1078		59	.....	
	30	Front panel	AMB7042		60	Volume ASSY	AWZ7316



<b>Mark</b>	<b>No.</b>	<b>Description</b>	<b>Parts No.</b>
	61	.....	
	62	Rear panel	ANC7082
△	63	Power transformer	ATS7017
	64	.....	
NSP	65	Assembly holder L	ANG7003
NSP	66	Assembly holder R	ANG7004
△	67	Voltage selector	AKX-507
	68	AF ASSY	AWZ7059
	69	FUNCTION assy	AWZ7062
	70	FM/AM Tuner module	AXQ3112
	71	.....	
△	72	Fuse (FU1101: T1A)	AEK-508
△	73	Fuse (FU1102: T1A)	AEK-508
	74	SECONDARY assy	AWZ7064
△	75	AC power cord	ADG1051
△	76	AC cord stopper	AEC-882
	77	Power module	AXQ3118
	78	Mixing knob	AAB7017
	79	Vol knob	AAB7012
	80	PIONEER budge	AAM1047
	81	Bonnet case	ANE7012
	82	.....	
	83	Screw	BPZ30P080FMC
	84	Screw	BBZ30P060FMC
	85	Screw	BBZ30P160FMC
	86	Screw	BBZ30P060FMC
	87	Screw	BBZ30P080FMC
	88	Screw	BPZ30P120FMC
	89	Screw	BBZ30P080FMC
	90	Screw	BPZ26P080FMC
	91	Screw	BPZ30P080FMC
	92	Screw	BBZ30P080FZK
	93	Screw	ASZ30P060FZK
	94	Screw	ABA1095
	95	Screw	BBZ30P060FMC
	96	Screw	BPZ26P080FMC
NSP	97	Name label	AAL7042
NSP	98	Manufactured label	AAX-372
	99	.....	
	100	.....	
	101	Function PCB ASSY 1	AWZ7216
	102	Function PCB ASSY 2	AWZ7217

■ FOR XR-J11M

● PART NUMBER DIFFERENCES BETWEEN XR-J11M/SDXJ, YPWXJ, KUXJ AND KCXJ

Part number differs between XR-J11M/SDXJ, YPWXJ, KUXJ and KCXJ.

Mark	No.	Description	Part No.				Remarks
			XR-J11M				
			SDXJ	YPWXJ	KUXJ	KCXJ	
	30	Front panel	AMB7037	AMB7038	AMB7039	AMB7039	
	35	P. bass lens	Not used	Not used	AAK2243	AAK2243	
	36	Dolby button	Not used	Not used	AAD7017	AAD7017	
NSP	50	Display ASSY	AWZ7072	AWZ7072	AWZ7074	AWZ7074	
NSP	71	Fuse card	AAX1587	AAX1587	AAX1180	AAX1180	
NSP	52	Head phone ASSY	AWZ7070	AWZ7070	AWZ7210	AWZ7210	
NSP	53	TAPE IND. ASSY	Not used	Not used	AWZ7079	AWZ7079	
	60	Volume ASSY	AWZ7077	AWZ7077	AWZ7082	AWZ7082	
	62	Rear panel	ANC7072	ANC7073	ANC7075	ANC7075	
△	63	Power transformer	ATS7017	ATS7017	Not used	Not used	
△	63	Power transformer	Not used	Not used	ATS7018	ATS7018	
NSP	61	Trans holder	Not used	Not used	ANA7007	ANA7007	
NSP	68	AF ASSY	AWZ7055	AWZ7260	AWZ7058	AWZ7058	
	77	Power module	AXQ3118	AXQ3118	AXQ3117	AXQ3117	
	4	Display window	AAK7047	AAK7047	AAK7056	AAK7056	
△	75	AC Power cord	ADG1051	ADG1123	PDG1015	PDG1015	
△	73	Fuse (FU1102: T1.25A)	AEK-508	Not used	Not used	Not used	
△	67	Voltage selector	AKX-507	Not used	Not used	Not used	
△	76	AC cord stopper	AEC-882	AEC-882	AEP-113	AEP-113	
△	72	Fuse (FU1101: T1A)	AEK-508	AEK-508	Not used	Not used	
△	72	Fuse (FU1101: 6.3A)	Not used	Not used	AEK-309	AEK-309	
	31	GEQ. panel	AAK7034	AAK7034	AAK7039	AAK7039	
NSP	97	Name label	AAL7033	AAL7034	Not used	Not used	
NSP	98	Manufactured label	AAX-372	Not used	AAX-372	AAX-372	
NSP	100	Caution label (F)	Not used	ARW1021	Not used	Not used	
NSP	99	Caution label	Not used	ARW1023	Not used	Not used	

● For XR-J11M/SDXJ

Mark	No.	Description	Parts No.	Mark	No.	Description	Parts No.
	1	.....			51	Flexible flat cable	ADD1112
	2	.....		NSP	52	Head phone ASSY	AWZ7070
	3	Function panel	AMB7052		53	.....	
	4	Display window	AAK7047		54	.....	
	5	Door	AAK7049		55	.....	
	6	Door spring	ABH7005		56	Cassette mech. unit	AWY1174
	7	Function button	AAD7033		57	Connecting holder R	ANG7006
	8	Mode button	AAD7034		58	Connecting holder L	ANG7005
	9	.....			59	.....	
	10	.....			60	Volume ASSY	AWZ7077
NSP	11	Flexible cable (23P FFC)	PDD1058		61	.....	
	12	Under base	PNA1832		62	Rear panel	ANC7072
	13	Supporting feet	AXA7010	△	63	Power transformer (T1)	ATS7017
NSP	14	PCB support	AEC7006		64	.....	
	15	Multi CD Mother PCB ASSY	AWM7093	NSP	65	Assembly holder L	ANG7003
	16	.....		NSP	66	Assembly holder R	ANG7004
	17	.....		△	67	Voltage selector	AKX-507
NSP	18	Multi mech. ASSY	PXA1469		68	AF ASSY	AWZ7055
	19	.....			69	Function ASSY	AWZ7062
NSP	20	Earth lead Unit	XDF-503		70	FM/AM tuner module	AXQ3112
	21	.....			71	.....	
	22	Cassette door (L)	AAN7010	△	72	Fuse (FU1101: T1A)	AEK-508
	23	Cassette door (R)	AAN7011	△	73	Fuse (FU1102: T1A)	AEK-508
	24	Door panel L	AAK7036		74	Secondary ASSY	AWZ7064
	25	Door panel R	AAK7037	△	75	AC Power cord	ADG1051
	26	Keep plate	ABK1017	△	76	AC Cord stopper	AEC-882
	27	Spring	ABH1078		77	Power module	AXQ3118
	28	Keep plate	ABK1017		78	.....	
	29	Spring	ABH1078		79	Vol knob	AAB7012
	30	Front panel	AMB7037		80	PIONEER budge	AAM1047
	31	GEQ. panel	AAK7034		81	Bonnet case	ANE7012
	32	AMP. panel	AAK7032		82	.....	
	33	Stand by lenz	AAK7040		83	Screw	BPZ30P080FMC
	34	Power button	AAD7022		84	Screw	BBZ30P060FMC
	35	.....			85	Screw	BBZ30P160FMC
	36	.....			86	Screw	BBZ30P060FMC
	37	S. bass button	AAD7021		87	Screw	BBZ30P080FMC
	38	Band button	AAD7020		88	Screw	BPZ30P120FMC
	39	Tuning buton	AAD7019		89	Screw	BBZ30P080FMC
	40	.....			90	Screw	BPZ26P080FMC
	41	Function button	AAD7018		91	Screw	BPZ30P080FMC
	42	Deck knob A	AAE7000		92	Screw	BBZ30P080FZK
	43	Deck knob B	AAE7001		93	Screw	ASZ30P060FZK
	44	Deck knob C	AAE7002		94	Screw	ABA1095
	45	Deck knob D	AAE7003		95	Screw	BBZ30P060FMC
	46	Deck knob E	AAE7004		96	Screw	BPZ26P080FMC
	47	Deck knob F	AAE7005	NSP	97	Name label	AAL7033
	48	Deck knob holder	ANG7008	NSP	98	Manufacture label	AAAX-372
	49	Damper ASSY	AXA1008		99	.....	
NSP	50	Display ASSY	AWZ7072		100	.....	
					101	Function PCB ASSY 1	AWZ7216
					102	Function PCB ASSY 2	AWZ7217

● For XR-J22/SDXJ

Mark	No.	Description	Parts No.	Mark	No.	Description	Parts No.
	1	Function panel	AMB7051		51	Flexible flat cable	ADD1112
	2	Display window	AAK7046	NSP	52	Head phone ASSY	AWZ7070
	3	.....		NSP	53	Tape IND. ASSY	AWZ7079
	4	.....			54	MIC ASSY	AWZ7080
	5	.....			55	Jack holder	ANG7007
	6	.....			56	Cassette mech. unit	AWY1174
	7	Function button	AAD7033		57	Connecting holder R	ANG7006
	8	.....			58	Connecting holder L	ANG7005
NSP	9	Single CD sub PCB ASSY	AWX7004		59	.....	
	10	.....			60	Volume ASSY	AWZ7316
	11	Flexible cable (25P FFC)	PDD1067		61	.....	
NSP	12	Under base	PNA1832		62	Rear panel	ANC7082
	13	Supporting feet	AXA7010	△	63	Power transformer (T1)	ATS7017
NSP	14	PCB support	AEC7006		64	.....	
	15	Single CD Mother PCB ASSY	AWM7092	NSP	65	Assembly holder L	ANG7003
NSP	16	Single mech. ASSY	PXA1487	NSP	66	Assembly holder R	ANG7004
	17	Cord holder	RNH-184	△	67	Voltage selector	AKX-507
	18	.....			68	AF ASSY	AWZ7059
	19	.....			69	Function ASSY	AWZ7062
	20	.....			70	FM/AM tuner module	AXQ3112
	21	.....			71	.....	
	22	Cassette door (L)	AAN7010	△	72	Fuse (FU1101: T1A)	AEK-508
	23	Cassette door (R)	AAN7011	△	73	Fuse (FU1102: T1A)	AEK-508
	24	Door panel L	AAK7036		74	Secondary ASSY	AWZ7064
	25	Door panel R	AAK7037	△	75	AC Power cord	ADG1051
	26	Keep plate	ABK1017	△	76	AC Cord stopper	AEC-882
	27	Spring	ABH1078		77	Power module	AXQ3118
	28	Keep plate	ABK1017		78	Mixing knob	AAB7017
	29	Spring	ABH1078		79	Vol knob	AAB7012
	30	Front panel	AMB7040		80	PIONEER badge	AAM1047
	31	GEQ. panel	AAK7035		81	Bonnet case	ANE7012
	32	AMP. panel	AAK7032		82	Tray name plate	AAK7048
	33	Stand by lenz	AAK7040		83	Screw	BPZ30P080FMC
	34	Power button	AAD7022		84	Screw	BBZ30P060FMC
	35	P. bass lenz	AAK2243		85	Screw	BBZ30P160FMC
	36	Dolby button	AAD7017		86	Screw	BBZ30P060FMC
	37	S. bass button	AAD7021		87	Screw	BBZ30P080FMC
	38	Band button	AAD7020		88	Screw	BPZ30P120FMC
	39	Tuning button	AAD7019		89	Screw	BBZ30P080FMC
	40	ST. wide button	AAD7023		90	Screw	BPZ26P080FMC
	41	Function button	AAD7018		91	Screw	BPZ30P080FMC
	42	Deck knob A	AAE7000		92	Screw	BBZ30P080FZK
	43	Deck knob B	AAE7001		93	Screw	ASZ30P060FZK
	44	Deck knob C	AAE7002		94	Screw	ABA1095
	45	Deck knob D	AAE7003		95	Screw	BBZ30P060FMC
	46	Deck knob E	AAE7004		96	Screw	BPZ26P080FMC
	47	Deck knob F	AAE7005	NSP	97	Name label	ALL7037
NSP	48	Deck knob holder	ANG7008	NSP	98	Manufactured label	AAX-372
	49	Damper ASSY	AXA1008				
NSP	50	Display ASSY	AWZ7317				

■ FOR XR-J22

● PART NUMBER DIFFERENCES BETWEEN XR-J22/SDXJ, YPWXJ, HBXJ, HEXJ AND HEWZIXJ

Part number differs between XR-J22/SDXJ, YPWXJ, HBXJ, HEXJ and HEWZIXJ.

Mark	No.	Description	Part No.					Remarks
			XR-J22					
			SDXJ	YPWXJ	HBXJ	HEXJ	HEWZIXJ	
NSP	21	Caution label (G)	Not used	Not used	VRW-329	VRW-329	VRW-329	
	30	Front panel	AMB7040	AMB7040	AMB7041	AMB7041	AMB7041	
NSP	50	Display ASSY	AWZ7317	AWZ7317	AWZ7075	AWZ7075	AWZ7076	
NSP	52	Head phone ASSY	AWZ7070	AWZ7070	AWZ7070	AWZ7070	AWZ7071	NSP
	60	Volume ASSY	AWZ7316	AWZ7316	AWZ7077	AWZ7077	AWZ7078	
	62	Rear panel	ANC7082	ANC7083	ANC7086	ANC7086	ANC7087	NSP
△	63	Power trans former	ATS7017	ATS7017	ATS7016	ATS7016	ATS7016	NSP
△	67	Voltage selector	AKX-507	Not used	Not used	Not used	Not used	NSP
NSP	68	AF ASSY	AWZ7059	AWZ7060	AWZ7060	AWZ7060	AWZ7061	
	70	FM/AM tuner module	AXQ3112	AXQ3112	AXQ3112	AXQ3112	AXQ3114	NSP
	69	FUNCTION ASSY	AWZ7062	AWZ7062	AWZ7062	AWZ7062	AWZ7063	
△	75	AC Power cord	ADG1051	ADG1123	PDG1055	PDG1043	PDG1043	
△	72	Fuse (FU1102: T1A)	AEK-508	Not used	Not used	Not used	Not used	
NSP	97	Name label	AAL7037	AAL7038	AAL7039	AAL7040	AAL7041	
NSP	98	Manufactured label	AAX-372	Not used	Not used	Not used	Not used	
NSP	100	Caution label (F)	Not used	ARW1021	ARW1021	ARW1021	ARW1021	
NSP	99	Caution label	Not used	ARW1023	ARW1023	ARW1030	ARW1022	

● F  
Mark

NSP

NSP

NSP

NSP

NSP

NSP

■ FOR XR-J11

● PART NUMBER DIFFERENCES BETWEEN XR-J11/SDXJ, YPWXJ, HBXJ, HEXJ AND HEWZIXJ

Part number differs between XR-J11/SDXJ, YPWXJ, HBXJ, HEXJ and HEWZIXJ.

Mark	No.	Description	Part No.					Remarks
			XR-J11					
			SDXJ	YPWXJ	HBXJ	HEXJ	HEWZIXJ	
NSP	21	Caution label (G)	Not used	Not used	VRW-329	VRW-329	VRW-329	
	30	Front panel	AMB7034	AMB7034	AMB7036	AMB7036	AMB7036	
	35	P. bass lens	Not used	Not used	AAK2243	AAK2243	AAK2243	
	36	Dolby button	Not used	Not used	AAD7017	AAD7017	AAD7017	
NSP	50	Display ASSY	AWZ7072	AWZ7072	AWZ7083	AWZ7083	AWZ7073	
NSP	52	Head phone ASSY	AWZ7070	AWZ7070	AWZ7070	AWZ7070	AWZ7071	NSP
NSP	53	TAPE IND. ASSY	Not used	Not used	AWZ7079	AWZ7079	AWZ7079	NSP
	60	Volume ASSY	AWZ7077	AWZ7077	AWZ7077	AWZ7077	AWZ7078	
	62	Rear panel	ANC7072	ANC7073	ANC7086	ANC7086	ANC7087	
△	63	Power trans former	ATS7017	ATS7017	ATS7016	ATS7016	ATS7016	NSP
NSP	68	AF ASSY	AWZ7055	AWZ7260	AWZ7056	AWZ7056	AWZ7057	
	70	FM/AM tuner module	AXQ3112	AXQ3112	AXQ3112	AXQ3112	AXQ3114	
	69	FUNCTION ASSY	AWZ7062	AWZ7062	AWZ7062	AWZ7062	AWZ7063	
△	75	AC Power cord	ADG1051	ADG1123	PDG1055	PDG1043	PDG1043	
△	72	Fuse (FU1102: T1A)	AEK-508	Not used	Not used	Not used	Not used	
NSP	97	Name label	AAL7028	AAL7029	AAL7030	AAL7028	AAL7032	
NSP	98	Manufacture label	AAX-372	Not used	Not used	Not used	Not used	
△	67	Voltage selector	AKX-507	Not used	Not used	Not used	Not used	
NSP	100	Caution label (F)	Not used	ARW1021	ARW1021	ARW1021	ARW1021	
NSP	99	Caution label	Not used	ARW1023	ARW1023	ARW1030	ARW1022	

● Fo  
 Mark

NSP

NSP

NSP

NSP

NSP

NSP

● For XR-J11/SDXJ

Mark	No.	Description	Parts No.	Mark	No.	Description	Parts No.
	1	Function panel	AMB7051		51	Flexible flat cable	ADD1112
	2	Display window	AAK7046	NSP	52	Head phone ASSY	AWZ7070
	3	.....		NSP	53	.....	
	4	.....			54	.....	
	5	.....			55	.....	
	6	.....			56	Cassette mech. unit	AWY1174
	7	Function button	AAD7033		57	Connecting holder R	ANG7006
	8	.....			58	Connecting holder L	ANG7005
NSP	9	Single CD sub PCB ASSY	AWX7004		59	.....	
	10	.....			60	Volume ASSY	AWZ7077
	11	Flexible cable (25PFFC)	PDD1067		61	.....	
NSP	12	Under base	PNA1832		62	Rear panel	ANC7072
	13	Supporting feet	AXA7010	△	63	Power transformer	ATS7017
NSP	14	PCB support	AEC7006		64	.....	
	15	Single CD Mother PCB ASSY	AWM7092	NSP	65	Assembly holder L	ANG7003
	16	Single mech. ASSY	PXA1487	NSP	66	Assembly holder R	ANG7004
	17	Cord holder	RNH-184	△	67	Voltage selector	AKX-507
	18	.....			68	AF ASSY	AWZ7055
	19	.....			69	Function ASSY	AWZ7062
	20	.....			70	FM/AM tuner module	AXQ3112
	21	.....			71	.....	
	22	Cassette door (L)	AAN7010	△	72	Fuse (FU1101: T1A)	AEK-508
	23	Cassette door (R)	AAN7011	△	73	Fuse (FU1102: T1A)	AEK-508
	24	Door panel L	AAK7036		74	Secondary ASSY	AWZ7064
	25	Door panel R	AAK7037	△	75	AC Power cord	ADG1051
	26	Keep plate	ABK1017	△	76	AC Cord stopper	AEC-882
	27	Spring	ABH1078		77	Power module	AXQ3118
	28	Keep plate	ABK1017		78	.....	
	29	Spring	ABH1078		79	Vol knob	AAB7012
	30	Front panel	AMB7034		80	PIONEER budge	AAM1047
	31	GEQ. panel	AAK7034		81	Bonnet case	ANE7012
	32	AMP. panel	AAK7032		82	Tray name plate	AAK7048
	33	Stand by lens	AAK7040		83	Screw	BPZ30P080FMC
	34	Power button	AAD7022		84	Screw	BBZ30P060FMC
	35	.....			85	Screw	BBZ30P160FMC
	36	.....			86	Screw	BBZ30P060FMC
	37	S. bass button	AAD7021		87	Screw	BBZ30P080FMC
	38	Band button	AAD7020		88	Screw	BPZ30P120FMC
	39	Tuning buton	AAD7019		89	Screw	BBZ30P080FMC
	40	.....			90	Screw	BPZ26P080FMC
	41	Function button	AAD7018		91	Screw	BPZ30P080FMC
	42	Deck knob A	AAE7000		92	Screw	BBZ30P080FZK
	43	Deck knob B	AAE7001		93	Screw	ASZ30P060FZK
	44	Deck knob C	AAE7002		94	Screw	ABA1095
	45	Deck knob D	AAE7003		95	Screw	BBZ30P060FMC
	46	Deck knob E	AAE7004		96	Screw	BPZ26P080FMC
	47	Deck knob F	AAE7005	NSP	97	Name label	AAL7028
NSP	48	Deck knob holder	ANG7008	NSP	98	Manufacture label	AAX-372
	49	Damper ASSY	AXA1008				
NSP	50	Display ASSY	AWZ7072				

### 1.5.3 POWER MODULE SECTION

■ FOR AXQ3118 AND AXQ3117

● PART NUMBER DIFFERENCES BETWEEN AXQ3118 AND AXQ3117

Part number differs between AXQ3118 and AXQ3117.

Mark	No.	Description	Part No.		Remarks
			Except KUXJ, KCXJ types	KUXJ, KCXJ type	
			AXQ3118	AXQ3117	
△	24	TRANSISTOR (Q7511)	2SA1263N	2SA1264N	
△	25	TRANSISTOR (Q7512)	2SA1263N	2SA1264N	
△	26	TRANSISTOR (Q7513)	2SC3180N	2SC3181N	
△	27	TRANSISTOR (Q7514)	2SC3180N	2SC3181N	
	20	TRANSISTOR (Q7503)	Not used	2SC4793	
	21	TRANSISTOR (Q7504)	Not used	2SC4793	
	22	TRANSISTOR (Q7509)	Not used	2SC1837	
	23	TRANSISTOR (Q7510)	Not used	2SC1837	
	1	FRONT ASSY	AWZ5454	AWZ5453	

● For AXQ3118

Mark	No.	Description	Parts No.
	1	FRONT ASSY FOR 50W	AWZ5454
	2	REAR, PWR, PRTEC ASSY	AWZ5455
	3	Heat sink (AL)	ANH7008
	4	Holder	ANG7009
	5	Sheet	AEB7001
	6	Mold A (PLS)	AMR7005
	7	Mold B (PLS)	AMR7006
	8	Screw	ABA1021
	9	Screw	BBZ30P140FZK
	10	Screw	BPZ30P350FZK
	11	Fan motor	AXM1019
	12	Regurator IC (IC7401)	MC7812CT
	13	Regurator IC (IC7402)	NJM7912A
	14	Regulator IC (IC7403)	MC7812CT
	15	Regulator IC (IC7404)	MC7805CT
	16	.....	
	17	.....	
	18	.....	
	19	.....	
	20	.....	
	21	.....	
	22	.....	
	23	.....	
△	24	Transistor (Q7511)	2SA1263N
△	25	Transistor (Q7512)	2SA1263N
△	26	Transistor (Q7513)	2SC3180N
△	27	Transistor (Q7514)	2SC3180N

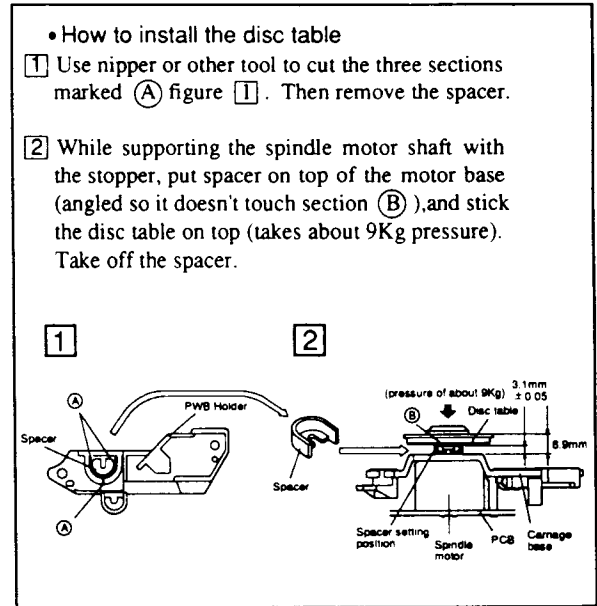


**1.5.4 CASSETTE MECHA UNIT (FOR ALL MODELS)**

Mark	No.	Description	Parts No.	Mark	No.	Description	Parts No.
	1	SPRING	AZB1336		57	BUTTON R HOLDER	AZN2163
	2	SPRING	AZB1337		58	BUTTON L HOLDER	AZN2164
	3	SPRING	AZB1338		59	P HOLDER	AZN2165
	4	SPRING	AZB1339		60	CONNECT PLATE	AZN2166
	5	SPRING	AZB1340				
	6	CASSETTE SPRING	AZB1378		61	CONNECT ARM	AZN2167
	7	SPRING	AZB1344		62	RELEASE ARM	AZN2168
	8	SPRING	AZB1346		63	MOTOR HOLDER	AZN2246
	9	SPRING	AZB1347		64	BASE SPI ASSY	AZN2171
	10	SPRING	AZB1348		65	TAPE GUIDE	AZN2174
					66	E HEAD	AZP1025
	11	PLATE SPRING	AZB1349		67	R/P HEAD	AZP1036
	12	WASHER	AZB1350		68	MOTOR ASSY	AZX1037
	13	WASHER	AZB1351		69	SWITCH (S2)	ASX1014
	14	SPRING	AZB1352		70	CASSETTE MECHA	AWY1150
	15	SPRING	AZB1353				
	16	EARTH LUG	AZB1354		71	2P WIRE ASSY A (J4)	ADD1104
	17	SCREW	AZB1355		72	2P WIRE ASSY B (J5)	ADD1105
	18	SCREW	AZB1356		73	2P WIRE ASSY C (J7)	ADD1106
	19	SCREW	AZB1357		74	4P JUMPER WIRE (J8)	ADD1107
	20	SCREW	AZB1358		75	2P WIRE ASSY D (J3)	ADD1108
					76	2P WIRE ASSY E (J6)	ADD1109
	21	SCREW	AZB1359		77	3P HEAD WIRE ASSY (J1)	ADX1613
	22	SCREW	AZB1360		78	5P HEAD WIRE ASSY (J2)	ADX1614
	23	SCREW	AZB1361		79	SWITCH (S1)	ASX1014
	24	SCREW	AZB1362		80	SWITCH (S3)	ASX1014
	25	SCREW	AZB1363				
	26	SCREW	AZB1364		81	CERAMIC CAPACITOR (C1)	CKDYF223Z50
	27	PC BOARD	AZN2111		82	SWITCH (S4)	ASX1014
	28	FRAM ASSY	AZN2113		83	SWITCH (S5)	ASX1014
	29	FUNCTION PLATE	AZN2116	NSP	101	SPRING	AZB1341
	30	REC STOPPER	AZN2117		102	SPRING	AZB1342
				NSP	103	SPRING	AZB1345
	31	SW LEVER	AZN2118	NSP	104	CHASSIS	AZN2112
	32	REC LEVER	AZN2119	NSP	105	FRAM	AZN2114
	33	PLAY LEVER	AZN2120				
	34	REW LEVER	AZN2121	NSP	106	METAL	AZN2115
	35	FF LEVER	AZN2122		107	SPINDLE BASE	AZN2130
					108	T REEL ASSY	AZN2131
	36	SE LEVER	AZN2123	NSP	109	REEL CAP	AZN2132
	37	PAUSE LEVER	AZN2124	NSP	110	REEL GEAR	AZN2133
	38	PAUSE ARM	AZN2125				
	39	BELT	AZN2126	NSP	111	FELT	AZN2134
	40	BELT	AZN2127	NSP	112	T REEL	AZN2135
				NSP	113	S REEL	AZN2136
	41	P IDLER ARM	AZN2128		114	FF IDLER	AZN2137
	42	PL IDLER	AZN2129	NSP	115	IDLER BASE	AZN2141
	43	INTER LOCK	AZN2138				
	44	EJECT LEVER	AZN2139	NSP	116	PF IDLER	AZN2142
	45	PF FF IDLER ASSY	AZN2140	NSP	117	PF PULLY HOLDER	AZN2143
				NSP	118	PF PULLY	AZN2144
	46	SENSOR	AZN2148	NSP	119	PF BUSH	AZN2145
	47	AS BASE	AZN2149	NSP	120	SHAFT	AZN2146
	48	CAM GEAR	AZN2150				
	49	SENSOR LEVER	AZN2151	NSP	121	FELT	AZN2147
	50	CONTROL LEVER	AZN2152	NSP	122	FLY WHEEL	AZN2154
				NSP	123	RING	AZN2155
	51	FW ASSY	AZN2153	NSP	124	CAPSTAN SHAFT	AZN2156
	52	PINCH ARM	AZN2157	NSP	125	MOTOR PULLEY	AZN2170
	53	PINCH ROLLER	AZN2158				
	54	HEAD BASE	AZN2159	NSP	126	MOTOR	AZX1038
	55	HEAD HOLDER	AZN2160		127	NYLON BINDER	AEC-093
	56	SWITCH PLATE	AZN2162	NSP	128	JUMPER CONNECTOR (7PL)	KPD7L

### 1.5.5 SINGLE MECHA ASSY (FOR XR-J22 AND XR-J11)

Mark	No.	Description	Parts No.
	1	LEVER SWITCH (CLAMP)	DSK1003
	2	FLOAT SCREW	PBA1048
	3	RUBBER BELT	PEB1193
	4	MOTOR PULLEY	PNW1634
	5	TRAY	PNW2455
	6	FLOAT BASE	PNW2032
	7	DRIVE GEAR	PNW2369
	8	GEAR PULLEY	PNW2034
	9	CLAMPER BASE	PNW2375
	10	CLAMP CAM	PNW2364
	11	DC MOTOR/0.75W (LOADING)	PXM1010
	12	FLOAT RUBBER	PEB1014
	13	FLOAT RUBBER	PEB1132
	14	SCREW	BPZ26P080FMC
	15	SCREW	Z39-018
	16	SCREW	PMZ26P040FMC
	17	PINION GEAR	PNW2055
	18	DC MOTOR (CARRIAGE)	PXM1027
	19	DC MOTOR ASSY (SPINDLE with oil)	PEA1235
	20	CARRIAGE BASE	PNW2445
	21	DISC TABLE	PNW1608
	22	SCREW	JFZ20P030FNI
	23	SCREW	JFZ17P025FZK
	24	GEAR 3	PNW2054
	25	GEAR 2	PNW2053
	26	WASHER	WT12D032D025
	27	PICKUP ASSY	PEA1179
	28	GUIDE BAR	PLA1094
	29	GEAR 1	PNW2052
NSP	30	GEAR STOPPER	PNB1303
	31	SCREW	BPZ20P060FMC
	32	PWB HOLDER	PNW2057
	33	SCREW	BPZ26P100FMC
NSP	34	EARTH LEAD UNIT	PDF1104
	35	SCREW	BBZ26P060FMC
NSP	36	MECHANISM BOARD ASSY	PWX1192
NSP	37	CLAMP MAGNET	PMF1014
NSP	38	YOKE	PNB1216
NSP	39	SHIELD PLATE	PNB1317
NSP	40	CLAMPER S	PNW1609
NSP	41	LOADING BASE	PNW2376
	42	EARTH LEAD UNIT	XDF-502
NSP	43	SERVO MECHANISM ASSY	PXA1478
	44	DC MOTOR ASSY (CARRIAGE)	PEA1246



**1.5.6 MULTI MECHA ASSY (FOR XR-J22M AND XR-J11M)**

Mark	No.	Description	Parts No.	Mark	No.	Description	Parts No.
	1	MOTOR PULLEY	PNW1634		51	GEAR 1	PNW2052
	2	GEAR HOLDER	PNW1929		52	GEAR 2	PNW2053
	3	.....			53	GEAR 3	PNW2054
	4	CAM GEAR	PNW1923		54	PINION GEAR	PNW2055
	5	BELT	PEB1138		55	PWB HOLDER	PNW2057
	6	TOP GUIDE N	PNW2441	NSP	56	CARRIAGE DC MOTOR/0.3W	PXM1027
	7	GEAR PULLEY	PNW1918		57	D.C. MOTOR ASSY (SPINDLE with OIL)	PEA1235
	8	GEAR S	PNW1919		58	PICKUP ASSY	PEA1179
	9	GEAR L	PNW1920		59	DISC TABLE ASSY	PEA1035
	10	EJECT SPRING	PBH1107		60	SCREW	BBZ26P060FMC
	11	SWITCH LEVER	PNW1927		61	SCREW	BPZ20P060FMC
	12	SEVEN BAR	PNW1931		62	SCREW	BPZ26P100FMC
	13	SUB ROTARY LEVER	PNW1933		63	SCREW	JFZ17P025FZK
	14	SUB ROTARY LEVER SPRING	PBH1111		64	SCREW	JFZ20P040FMC
	15	ROTARY LEVER	PNW1932		65	WASHER	WT12D032D025
	16	DRIVE PLATE	PNW1930		66	.....	
	17	MOTOR SCREW	PBA-112		67	STOP SPRING	PBH1131
	18	HOLDER LEVER SPRING	PBH1110		68	STOPPER	PNW2069
	19	DISC HOLDER	PNW1924		69	CARRIAGE DC MOTOR ASSY (CARRIAGE)	PEA1246
	20	CUSHION A	PED1001		70	UPPER CHASSIS N	PNB1267
	21	HOLDER LEVER	PNW1925		71	SUB CHASSIS N	PNW2440
	22	FLOAT RUBBER	PEB1014				
	23	FLOAT RUBBER	PEB1132				
	24	FLOAT SCREW	PBA1073				
	25	RELEASE LEVER	PNW1934				
	26	RELEASE SPRING	PBH1106	NSP	101	MOTOR	VXM1033
	27	CLAMPER CAM	PNW1922	NSP	102	EJECT LEVER	PNB1306
	28	CLAMPER HOLDER	PNW1921		103	.....	
	29	CLAMPER SPRING	PBH1109	NSP	104	SERVO MECHANISM ASSY M	PXA1417
	30	CLAMPER	PNW1857	NSP	105	LOADING BOARD ASSY	PWZ2038
	31	LOCK LEVER	PNW1917		106	.....	
	32	LOCK SPRING	PBH1108		107	.....	
	33	STAIR NL	PNW2443	NSP	108	MAIN CHASSIS	PNW2074
	34	STAIR NR	PNW2444	NSP	109	SELECT BOARD ASSY	PWZ2533
	35	SYNCHRONIZE LEVER	PNW1926	NSP	110	MOTOR BOARD ASSY	PWZ2040
	36	MOTOR ASSY (LOADING, DISC SELECT)	PEA1130	NSP	111	MECHANISM BOARD ASSY	PWX1279
	37	SCREW	PMZ26P040FMC	NSP	112	EARTH LEAD UNIT	PDF1074
	38	SCREW	PPZ30P080FMC	NSP	113	CLAMP MAGNET	PMF1014
	39	SCREW	BBZ30P060FMC	NSP	114	GEAR STOPPER	PNB1303
	40	WASHER	WT26D047D025	NSP	115	YOKE M	PNB1312
	41	WASHER	WA31D054D025	NSP	116	AV ANGLE	PNB1405
	42	E RING	Z39-010		117	CARRIAGE BASE	PNW2445
	43	SCREW	IPZ30P080FMC				
	44	RUBBER SPACER	PEB1238				
	45	RUBBER SPACER	PEB1179				
	46	SILENT RING	PBK1093				
	47	WASHER	WA62D130D025				
	48	EARTH SPRING	PBH1132				
	49	GUIDE BAR	PLA1094				
	50	DISC TABLE	PNW1067				