



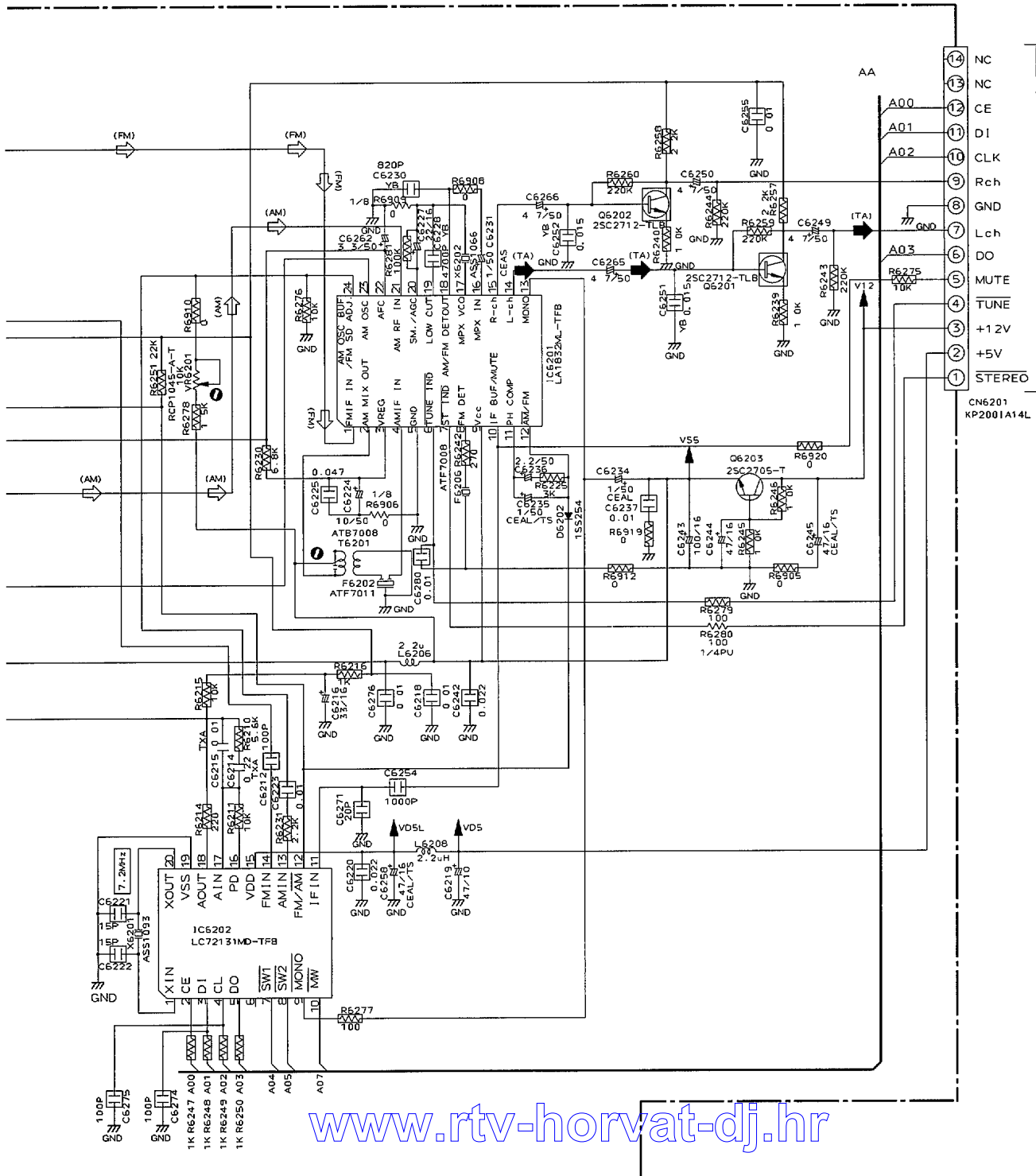
Notes

1. RESISTORS

Indicated in  $\Omega$ ,  $1/10W \pm 5\%$  Tolerance unless otherwise noted K:K $\Omega$ , M:M $\Omega$ .

2. CAPACITORS

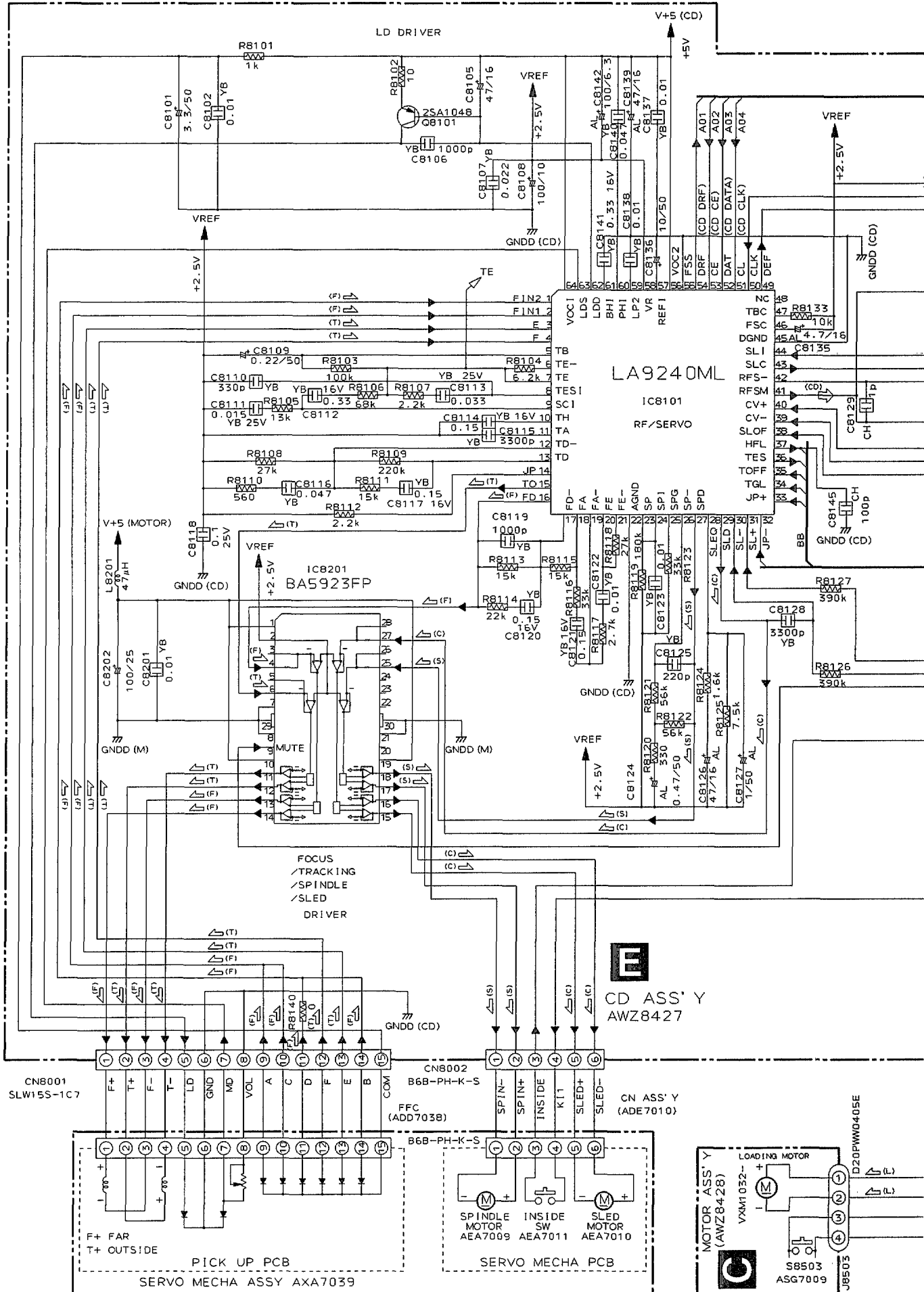
Indicated in Capacity ( $\mu F$ )/VOLTAGE (V) unless otherwise noted P.P.F.

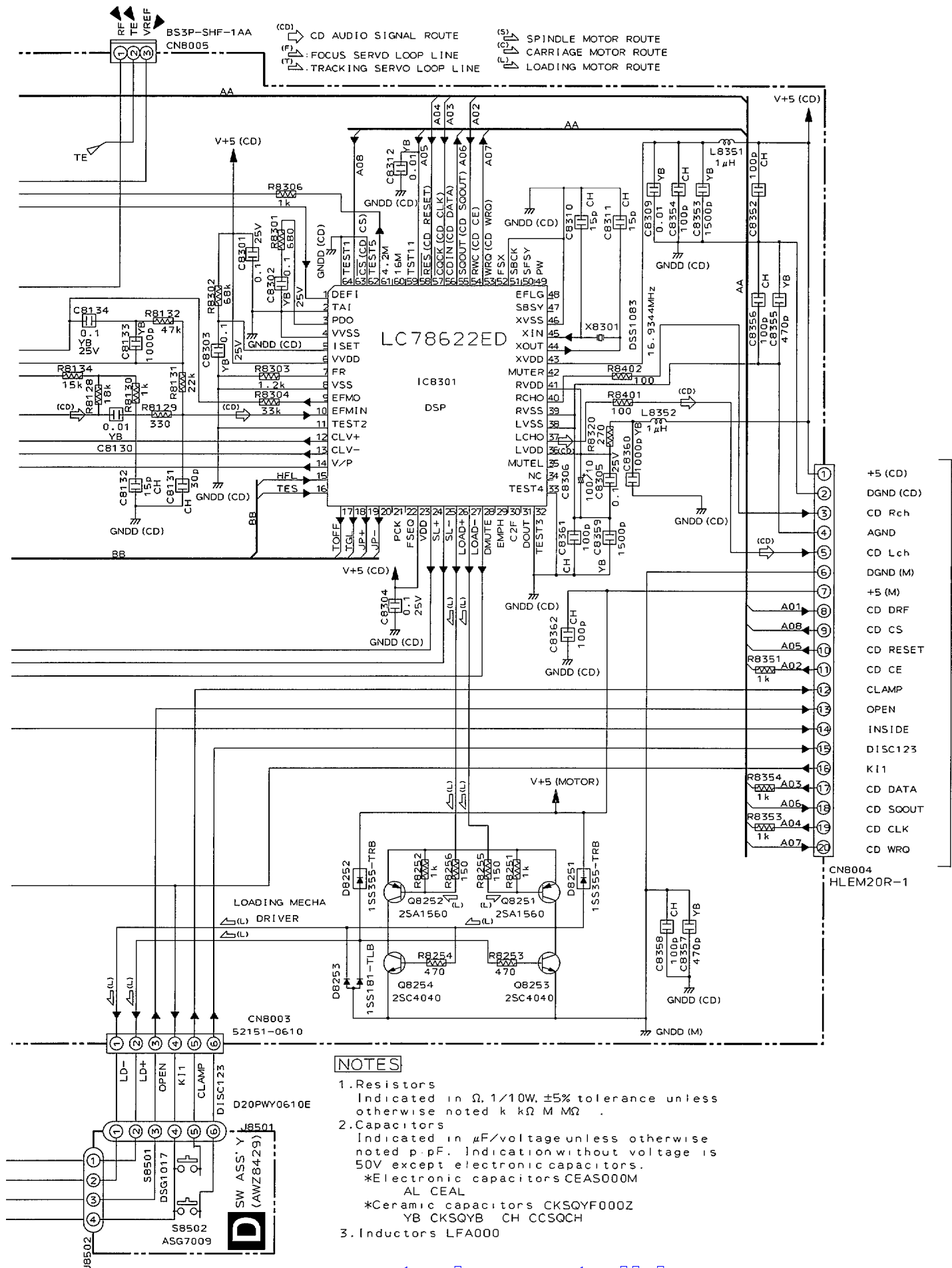


**H** CN1054

# XR-P270C, XR-P170C

## 3.3 MOTOR ASSY, SW ASSY AND CD ASSY





**NOTES**

1. Resistors  
Indicated in  $\Omega$ , 1/10W,  $\pm 5\%$  tolerance unless otherwise noted k k $\Omega$  M M $\Omega$ .
2. Capacitors  
Indicated in  $\mu$ F/voltage unless otherwise noted p pF. Indication without voltage is 50V except electronic capacitors.  
\*Electronic capacitors CEAS000M  
AL CEAL  
\*Ceramic capacitors CKSQYF000Z  
YB CKSQYB CH CCSQCH
3. Inductors LFA000

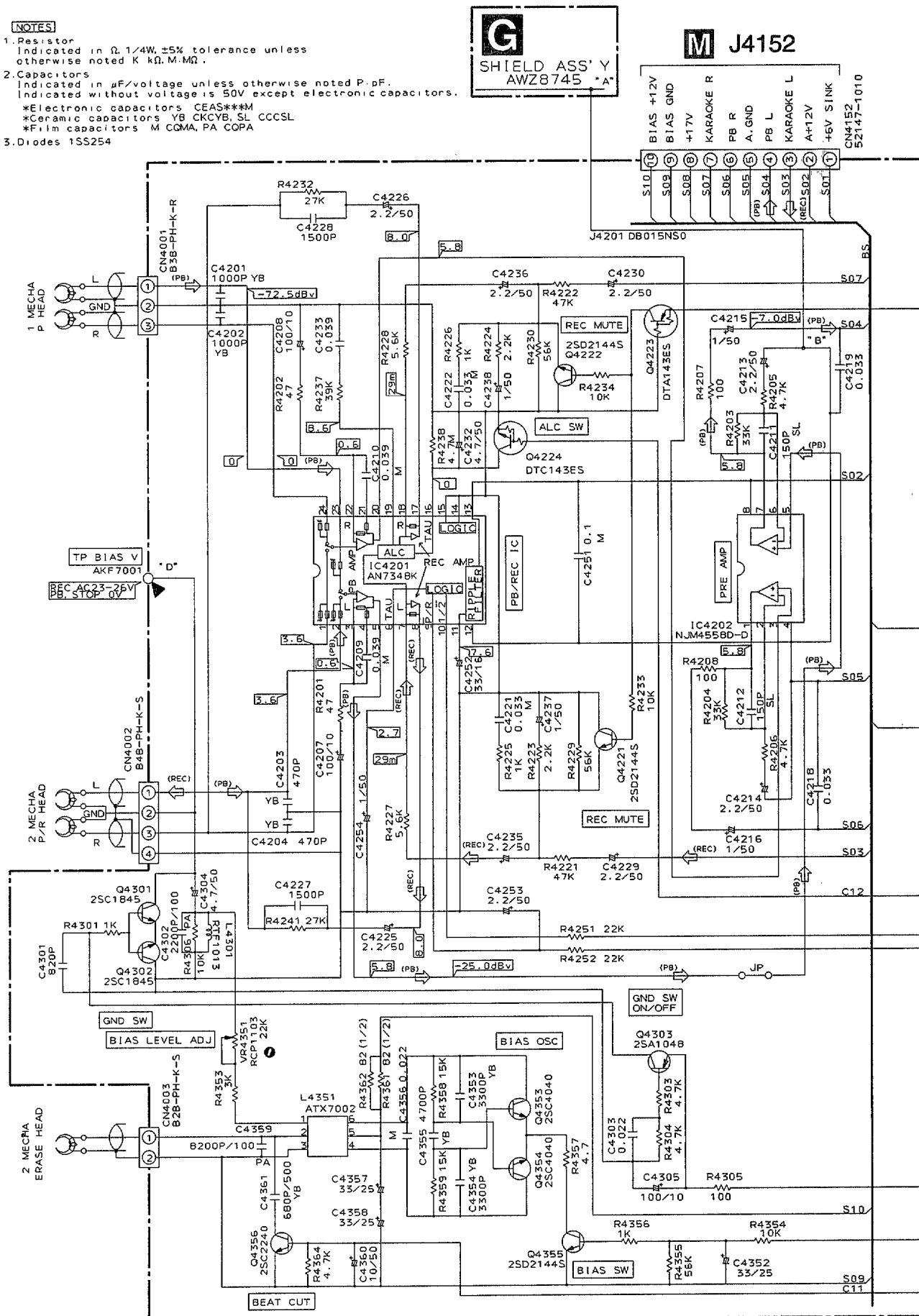
**H** CN1052



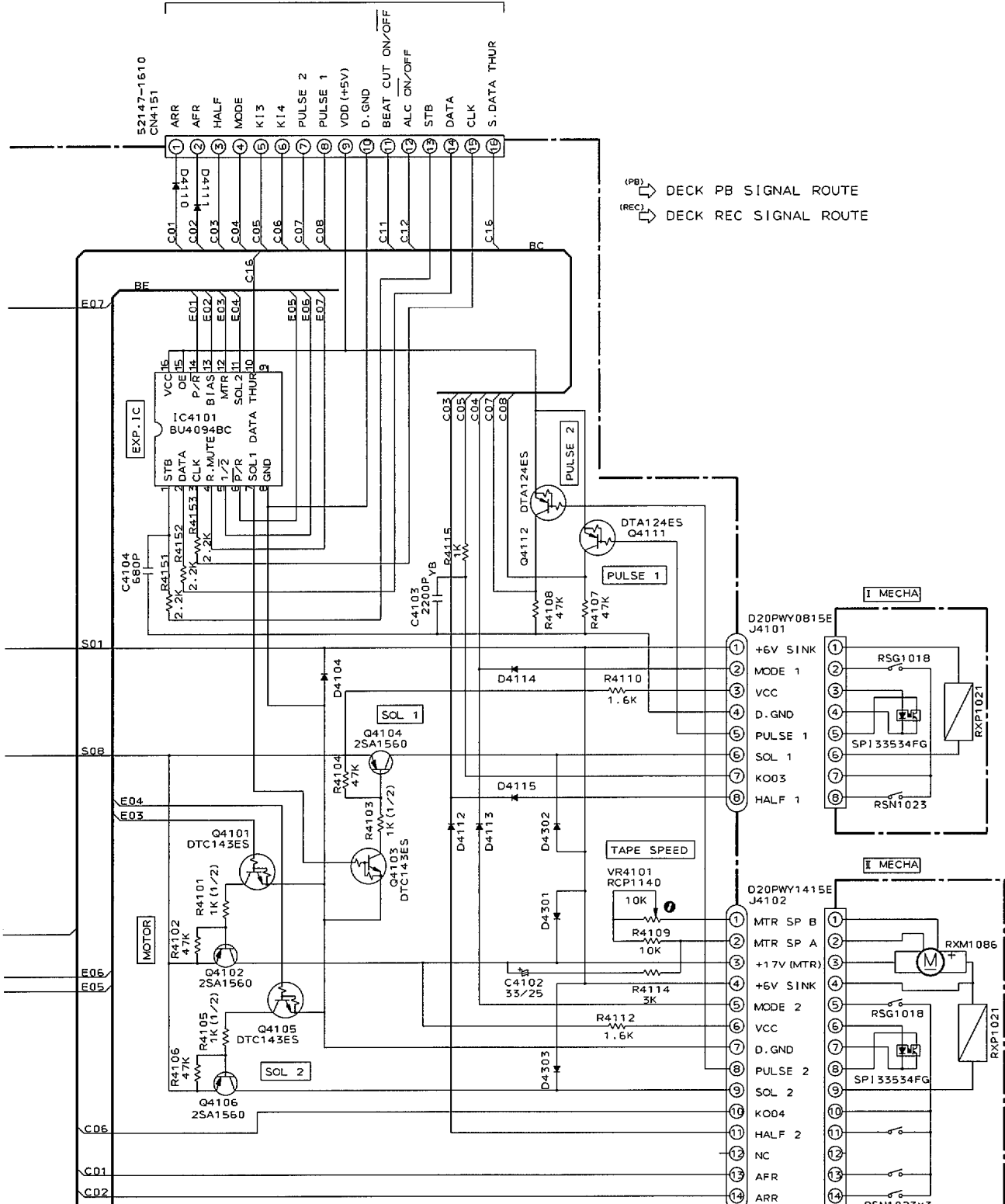
## 3.4 DECK ASSY AND SHIELD ASSY

### NOTES

- Resistor  
Indicated in  $\Omega$ , 1/4W,  $\pm 5\%$  tolerance unless otherwise noted K  $\Omega$ , M, M $\Omega$ .
- Capacitors  
Indicated in  $\mu$ F/voltage unless otherwise noted P, pF.  
Indicated without voltage is 50V except electronic capacitors.  
\*Electronic capacitors CEAS\*\*\*M  
\*Ceramic capacitors YB CKCYB, SL CCCSL  
\*Film capacitors M CGMA, PA COPA
- Diodes 1S5254



**M** J4151



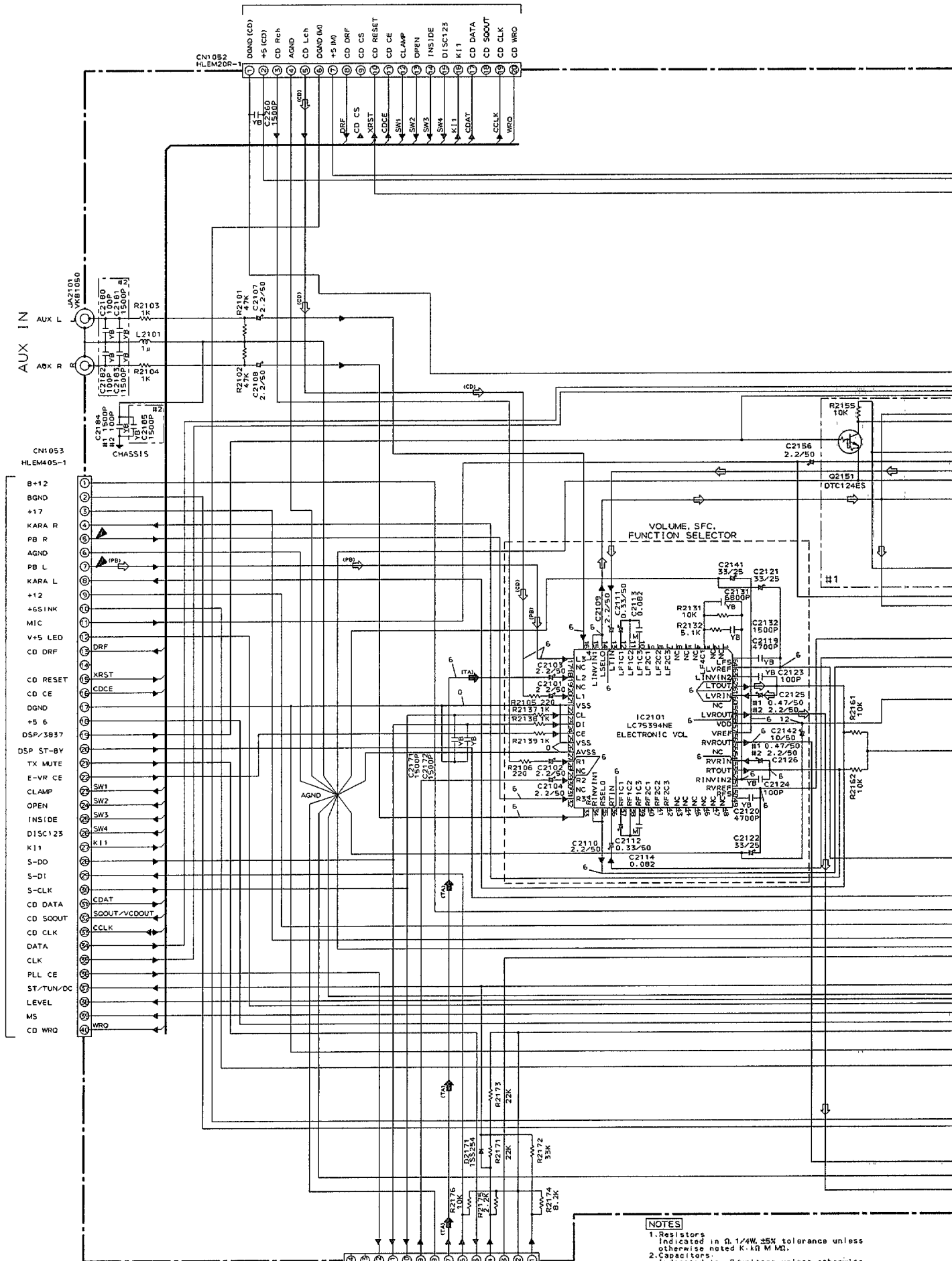
**F** DECK ASS'Y  
AWZ8436





3.5 AF ASSY

**E** CN8004



- NOTES**
- Resistors indicated in  $\Omega$ , 1/4W, 5% tolerance unless otherwise noted. K-in M Ohm.
  - Capacitors: Indicated in  $\mu\text{F}$ /vol tags unless otherwise noted. P-F-F: Indication without voltage is 50V except electronic capacitors. \*Electronic capacitors: CEAS00M \*Ceramic capacitors: CCKVFB00Z \*Film capacitors: YB CCKVYB YX CCKVY SL-CCSSL M-CMA
  - Inductors LAU000

www.rtv-horvath-dj.hr



**B** CN6201

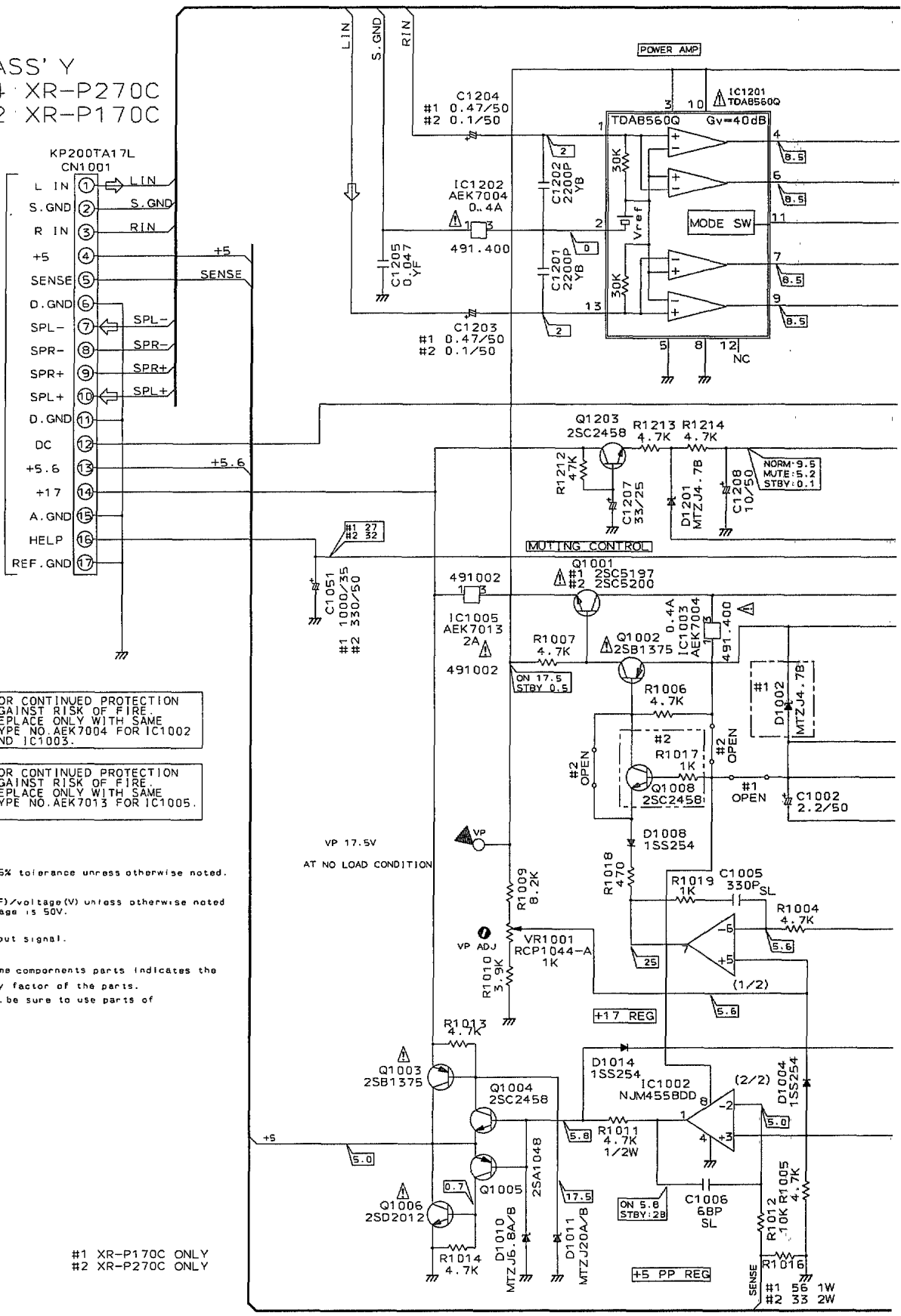


# XR-P270C, XR-P170C

## 3.6 POWER ASSY

POWER ASS'Y  
 AWZ8534 XR-P270C  
 AWZ8432 XR-P170C

CN1051



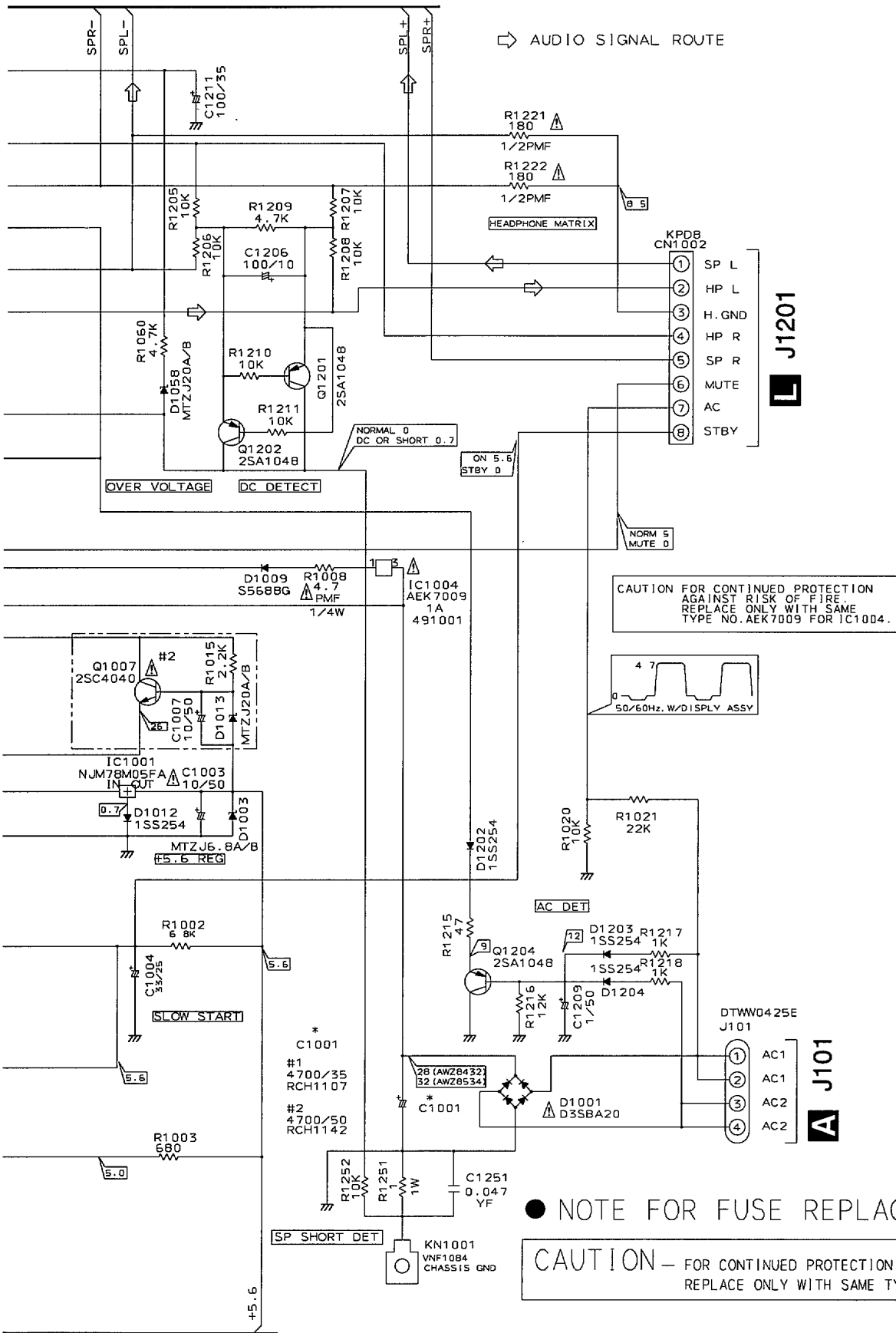
CAUTION FOR CONTINUED PROTECTION AGAINST RISK OF FIRE. REPLACE ONLY WITH SAME TYPE NO. AEK7004 FOR IC1002 AND IC1003.

CAUTION FOR CONTINUED PROTECTION AGAINST RISK OF FIRE. REPLACE ONLY WITH SAME TYPE NO. AEK7013 FOR IC1005.

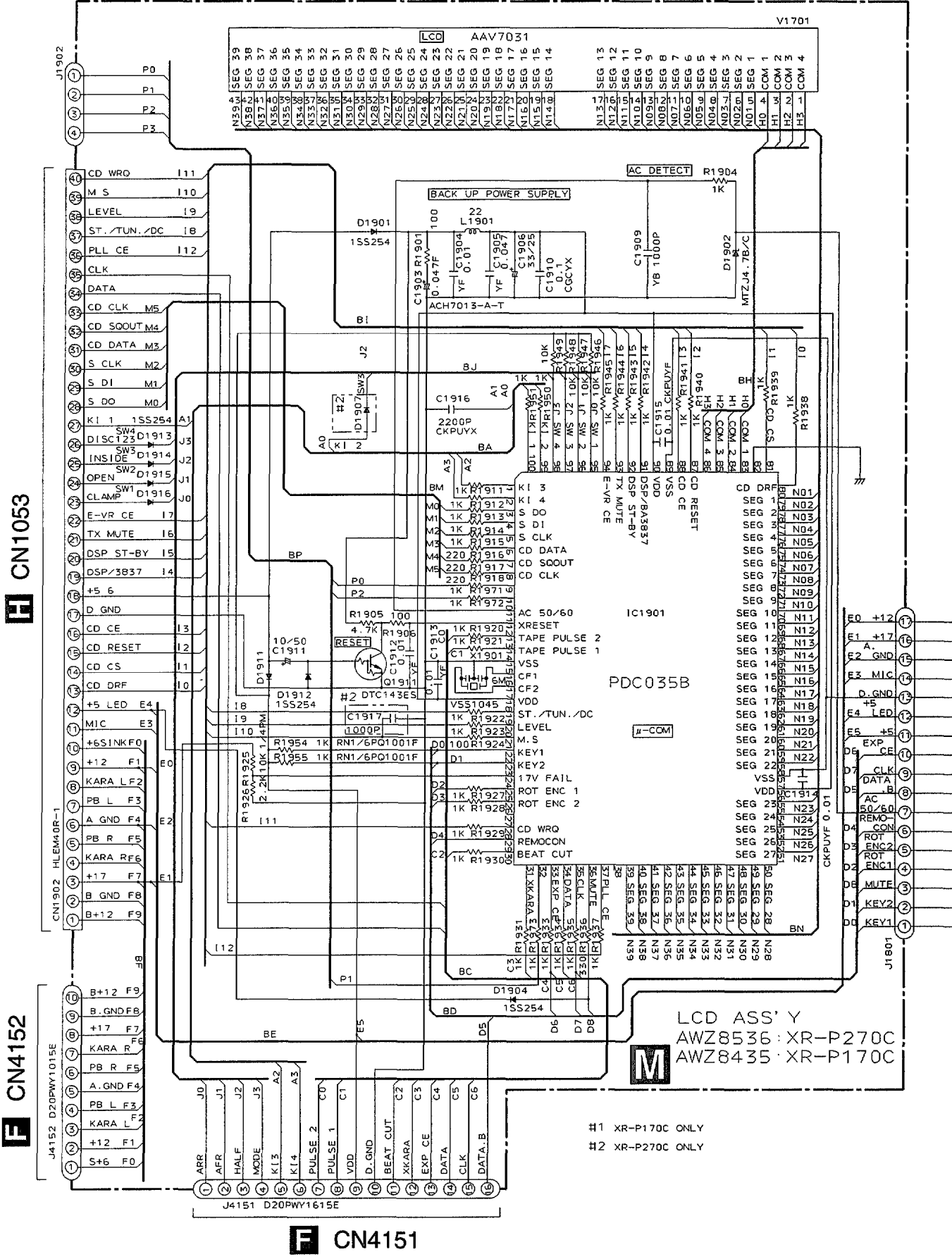
Notes

1. resistors Indicated in Ohm, 1/4W, 5% tolerance unless otherwise noted.
2. Capacitors Indicated in capacity(uF)/voltage(V) unless otherwise noted. Indication without voltage is 50V.
3. Voltage DC voltage (V) at no input signal.
4. Others The  $\Delta$  mark found on some components parts indicates the importance of the safety factor of the parts. Therefore, when replacing, be sure to use parts of identical designation.

#1 XR-P170C ONLY  
 #2 XR-P270C ONLY



## 3.7 CD SW ASSY, LED ASSY, DISPLAY ASSY, LCD ASSY AND LAMP ASSY

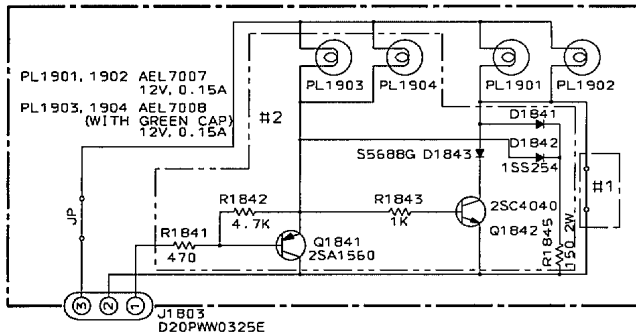


**F** CN1053

**F** CN4152

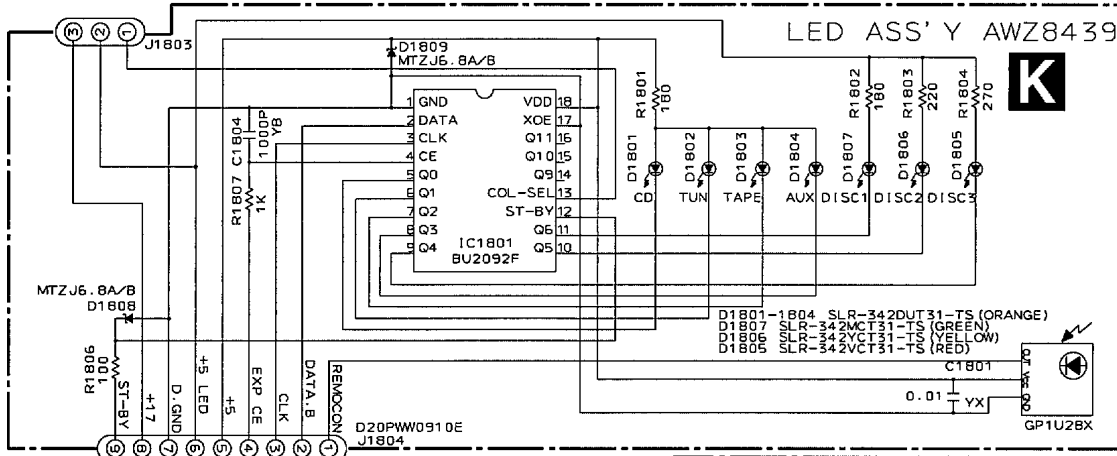
**F** CN4151



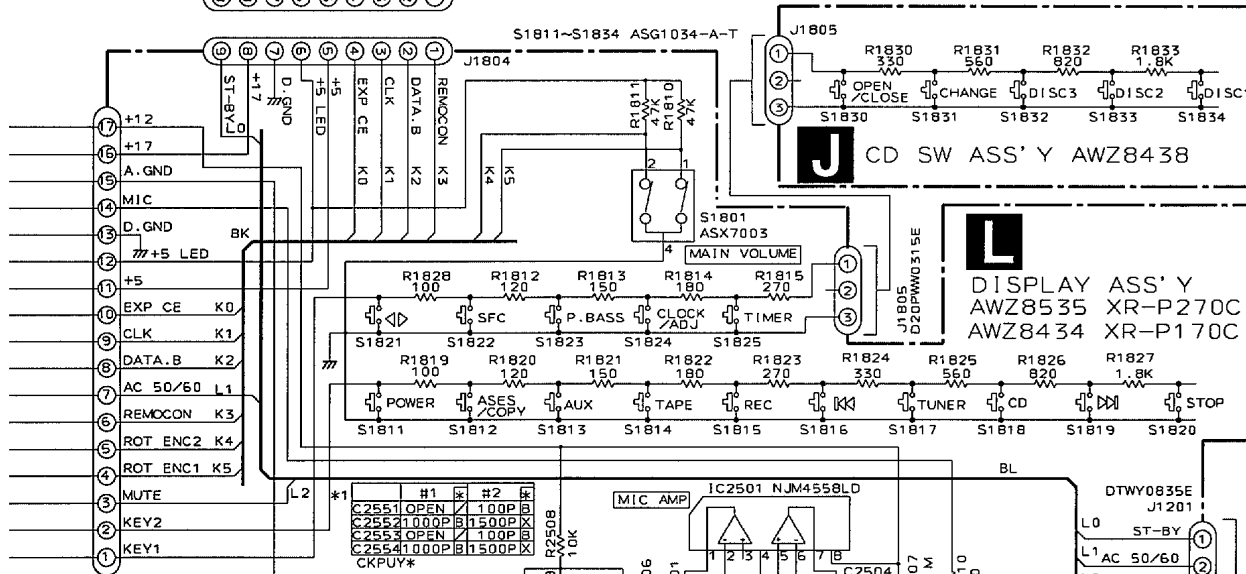


**N**  
LAMP ASS'Y  
AWZ8537 XR-P270C  
AWZ8437 XR-P170C

- NOTES**
- Resistors  
Indicated in  $\Omega$ , 1/4W,  $\pm 5\%$  tolerance unless otherwise noted K k $\Omega$ , M M $\Omega$ .
  - Capacitors  
Indicated in  $\mu$ F/voltage unless otherwise noted P pF. Indication without voltage is 50V except electronic capacitors.  
\*Electronic capacitors CEAS000M  
\*Ceramic capacitors YB CKCYB YX CKCYX YF CKCYF
  - Diodes 1S5254

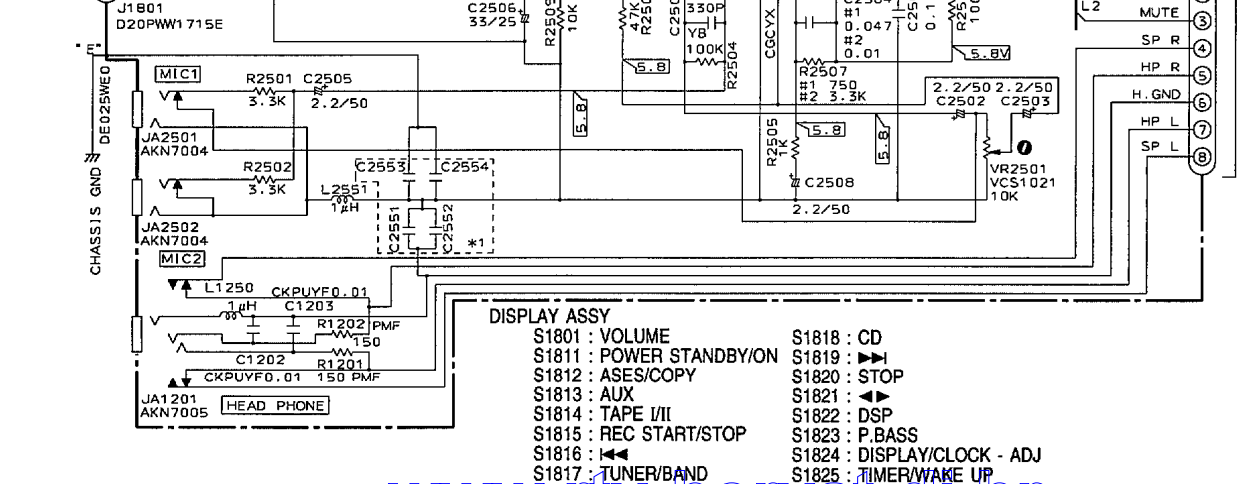


**K**  
LED ASS'Y AWZ8439



- CD SW ASSY**  
S1830 : OPEN/CLOSE  
S1831 : DISC CHANGE  
S1832 : DISC 3  
S1833 : DISC 2  
S1834 : DISC 1

**L**  
DISPLAY ASS'Y  
AWZ8535 XR-P270C  
AWZ8434 XR-P170C



- DISPLAY ASSY**
- |                          |                             |
|--------------------------|-----------------------------|
| S1801 : VOLUME           | S1818 : CD                  |
| S1811 : POWER STANDBY/ON | S1819 : >>>                 |
| S1812 : ASES/COPY        | S1820 : STOP                |
| S1813 : AUX              | S1821 : <<<                 |
| S1814 : TAPE I/II        | S1822 : DSP                 |
| S1815 : REC START/STOP   | S1823 : P.BASS              |
| S1816 : <<<              | S1824 : DISPLAY/CLOCK - ADJ |
| S1817 : TUNER/BAND       | S1825 : TIMER/WAKE UP       |