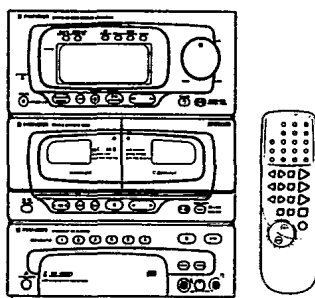


Service Manual



ORDER NO.
RRV1207

STEREO MULTI-PLAY CD CASSETTE DECK RECEIVER

XR-P5500M

XR-P4500M

THIS MANUAL IS APPLICABLE TO THE FOLLOWING MODEL(S) AND TYPE(S).

Type	Model		Power Requirement	Remarks
	XR-P5500M	XR-P4500M		
KU	○	○	AC120V	
KC	○	○	AC120V	

● For the following: XR-P5500M/KC; XR-P4500M/KU and KC, refer to page 87.

CONTENTS

1. SAFETY INFORMATION	2	6. ADJUSTMENTS	66
2. EXPLODED VIEWS, PACKING AND PARTS LIST	3	7. IC INFORMATION	82
3. BLOCK DIAGRAM	15	8. DISASSEMBLY	86
4. SCHEMATIC AND PCB CONNECTION DIAGRAMS	16	9. FOR XR-P5500M/KC, XR-P4500M/KU AND KC TYPES	87
5. PCB PARTS LIST	61	10. PANEL FACILITIES	89
		11. SPECIFICATIONS	91

1. SAFETY INFORMATION


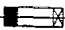
This service manual is intended for qualified service technicians; it is not meant for the casual do-it-yourselfer. Qualified technicians have the necessary test equipment and tools, and have been trained to properly and safely repair complex products such as those covered by this manual. Improperly performed repairs can adversely affect the safety and reliability of the product and may void the warranty. If you are not qualified to perform the repair of this product properly and safely, you should not risk trying to do so and refer the repair to a qualified service technician.

WARNING

Lead in solder used in this product is listed by the California Health and Welfare agency as a known reproductive toxicant which may cause birth defects or other reproductive harm (California Health & Safety Code, Section 25249.5). When servicing or handling circuit boards and other components which contain lead in solder, avoid unprotected skin contact with the solder. Also, when soldering do not inhale any smoke or fumes produced.

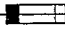

NOTICE

(FOR CANADIAN MODEL ONLY)

Fuse symbols  (fast operating fuse) and/or  (slow operating fuse) on PCB indicate that replacement parts must be of identical designation.

REMARQUE

(POUR MODÈLE CANADIEN SEULEMENT)

Les symboles de fusible  (fusible de type rapide) et/ou  (fusible de type lent) sur CCI indiquent que les pièces de remplacement doivent avoir la même désignation.

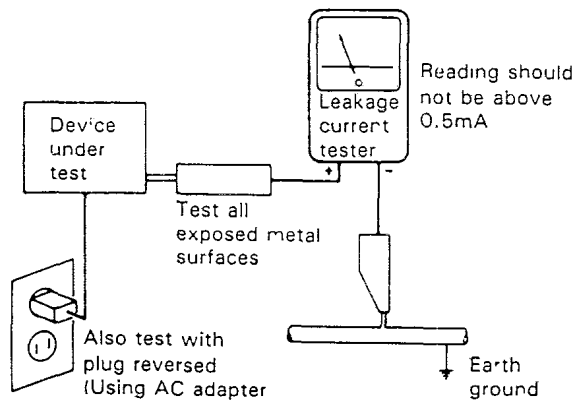
(FOR USA MODEL ONLY)

1. SAFETY PRECAUTIONS

The following check should be performed for the continued protection of the customer and service technician.

LEAKAGE CURRENT CHECK

Measure leakage current to a known earth ground (water pipe, conduit, etc.) by connecting a leakage current tester such as Simpson Model 229-2 or equivalent between the earth ground and all exposed metal parts of the appliance (input/output terminals, screwheads, metal overlays, control shaft, etc.). Plug the AC line cord of the appliance directly into a 120V AC 60Hz outlet and turn the AC power switch on. Any current measured must not exceed 0.5mA.



AC Leakage Test

ANY MEASUREMENTS NOT WITHIN THE LIMITS OUTLINED ABOVE ARE INDICATIVE OF A POTENTIAL SHOCK HAZARD AND MUST BE CORRECTED BEFORE RETURNING THE APPLIANCE TO THE CUSTOMER.

2. PRODUCT SAFETY NOTICE

Many electrical and mechanical parts in the appliance have special safety related characteristics. These are often not evident from visual inspection nor the protection afforded by them necessarily can be obtained by using replacement components rated for voltage, wattage, etc. Replacement parts which have these special safety characteristics are identified in this Service Manual.

Electrical components having such features are identified by marking with a Δ on the schematics and on the parts list in this Service Manual. The use of a substitute replacement component which does not have the same safety characteristics as the PIONEER recommended replacement one, shown in the parts list in this Service Manual, may create shock, fire, or other hazards.

Product Safety is continuously under review and new instructions are issued from time to time. For the latest information, always consult the current PIONEER Service Manual. A subscription to, or additional copies of, PIONEER Service Manual may be obtained at a nominal charge from PIONEER.

2. EXPLODED VIEWS, PACKING AND PARTS LIST

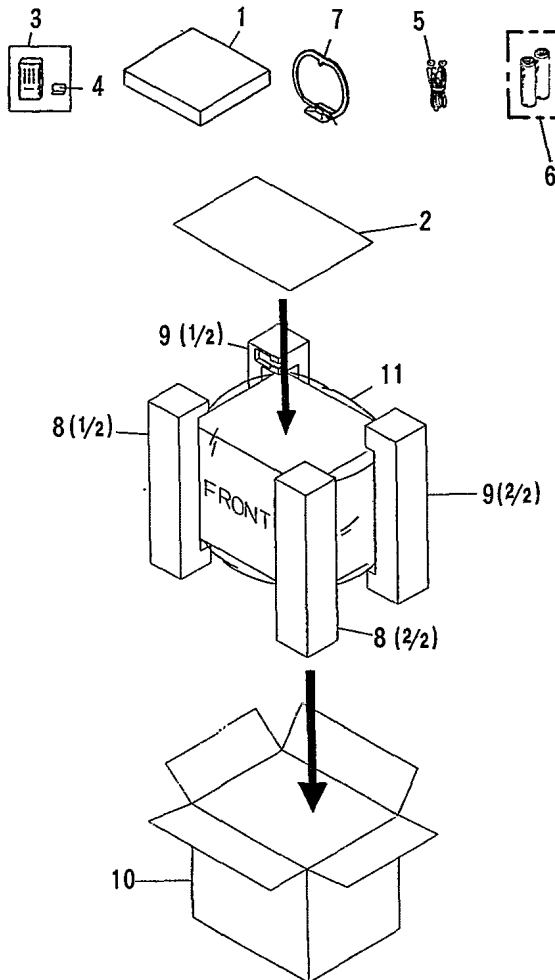
NOTES :

- Parts marked by "NSP" are generally unavailable because they are not in our Master Spare Parts List.
- The \triangle mark found on some component parts indicates the importance of the safety factor of the part. Therefore, when replacing, be sure to use parts of identical designation.
- Parts marked by "⊙" are not always kept in stock. Their delivery time may be longer than usual or they may be unavailable.

2.1 PACKING

Parts List of Packing

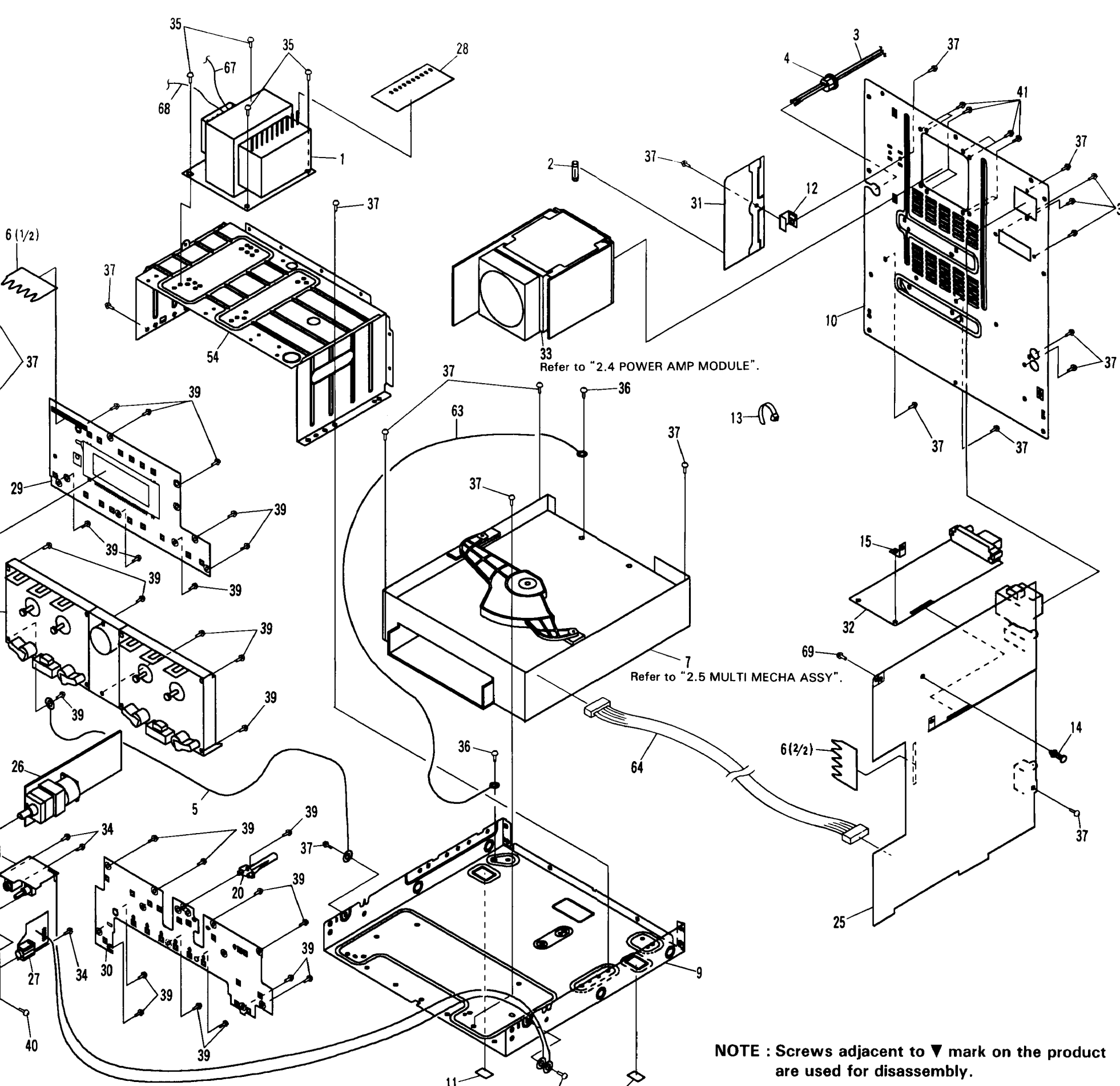
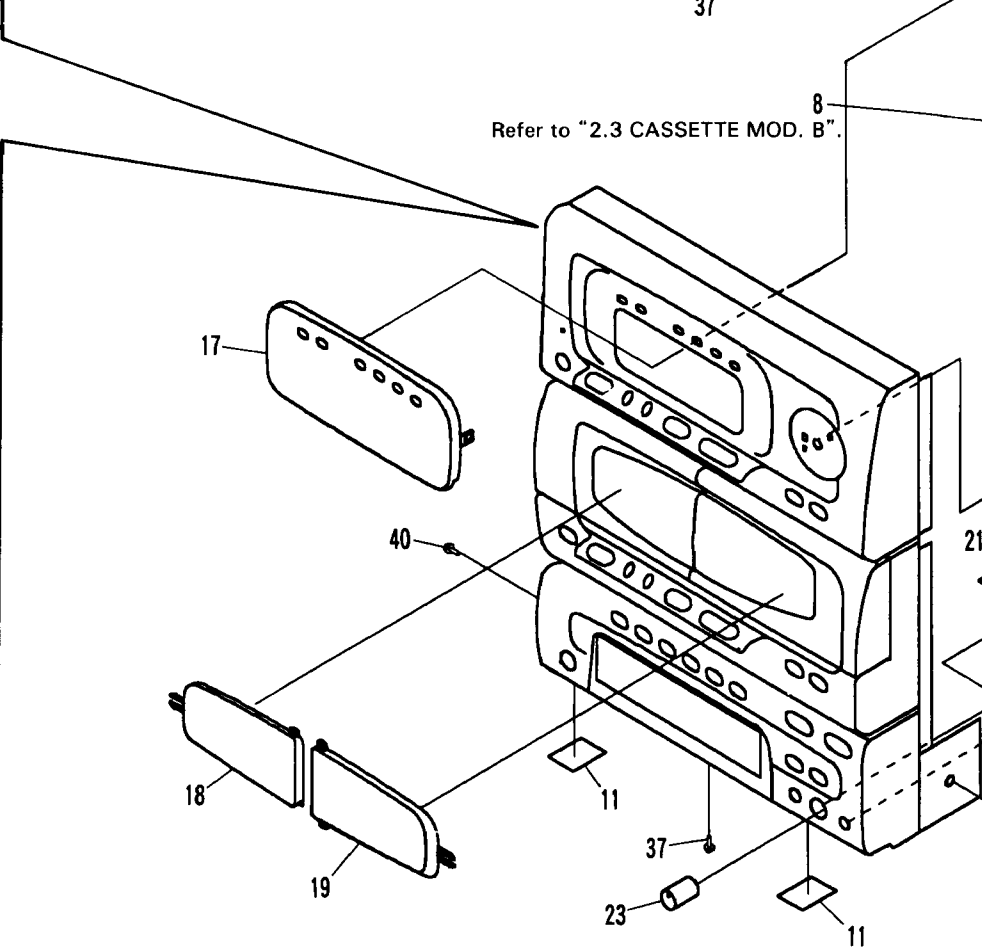
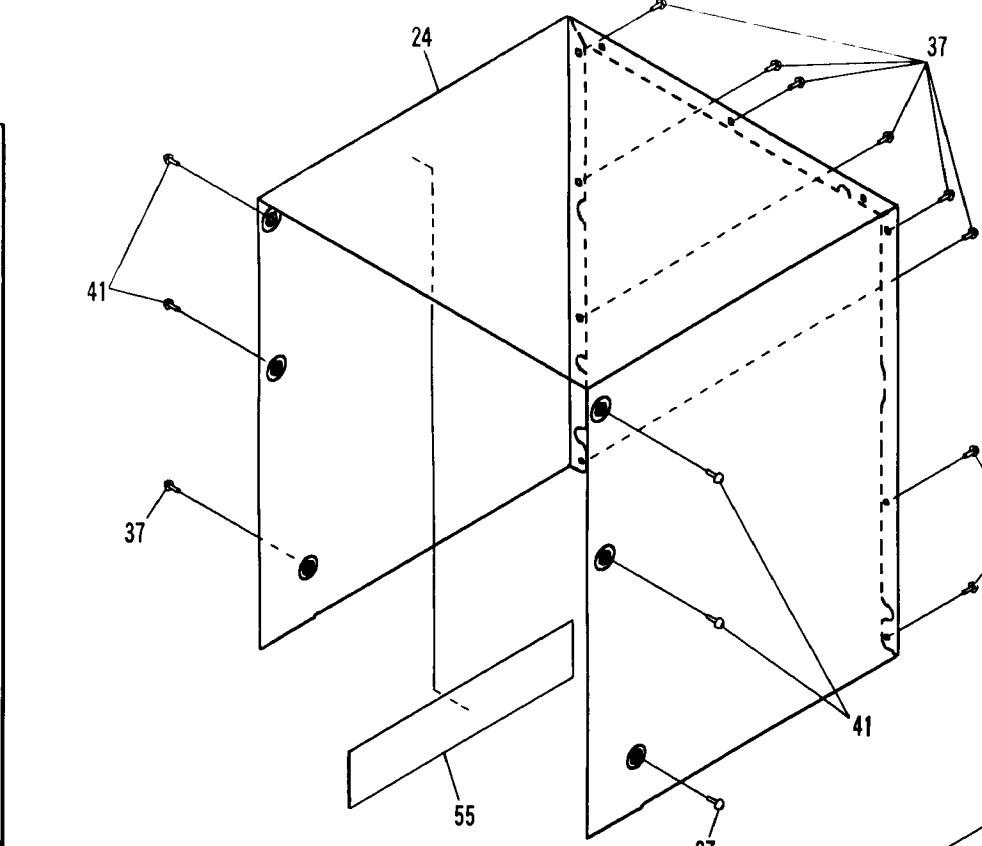
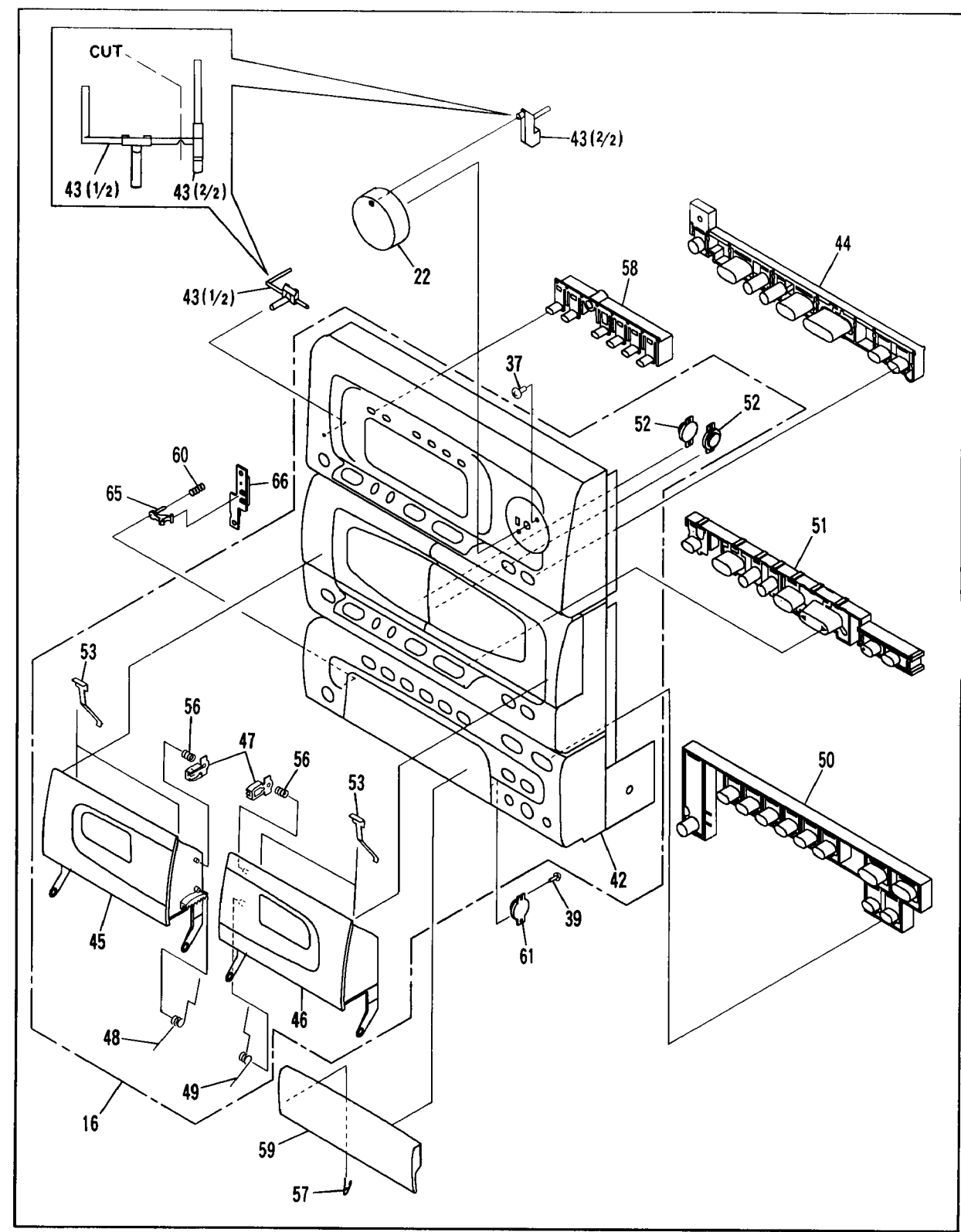
Mark	No.	Description	Parts No.
	1	MAGAZINE ASSY	PXA1549
	2	OPERATING INSTRUCTIONS (English)	ARB7021
	3	REMOTE CONTROL UNIT (CU-XR016)	AXD7037
	4	BATTERY COVER	AZA7050
	5	FM ANTENNA	ADH1016
NSP	6	BATTERY (R03, AAA)	AEX--021
	7	LOOP ANTENNA (L8043)	ATB1012
	8	FRONT PAD LR	AHA7038
	9	REAR PAD LR	AHA7043
	10	PACKING CASE	AHD7081
	11	SHEET	AHG7003



2.2 EXTEIOR

Parts List of Exterior

Mark	No.	Description	Parts No.	Mark	No.	Description	Parts No.
△	1	POWER TRANSFORMER	ATS7039		46	DOOR-R	AAN7066
△	2	FUSE (6.3A/125V, FU1)	AEK-309		47	LATCH MOLD	AEC7016
△	3	AC POWER CORD	ADG1146		48	DOOR SPRING (L)	ABH7046
	4	CORD STOPPER	AEP-113		49	DOOR SPRING (R)	ABH7047
NSP	5	GROUND LEAD	ADB1001		50	CD BUTTON	AAD7153
△	6	FLEXIBLE CABLE (J1)	ADD1127		51	DECK BUTTON	AAD7154
	7	MULTI MECHA ASSY	AXA7006		52	DAMPER ASSY	AXA7021
	8	CASSETTE MOD. B	EXK2435		53	KEEP PLATE	ABK7001
NSP	9	CHASSIS	ANA7001		54	TRANS FRAME	ANA7002
	10	REAR PANEL	ANC7143		55	65 LABEL	ORW1069
	11	RUBBER SHEET	AEB1111		56	LATCH SPRING	ABH7039
	12	BRACKET	ANG7002		57	DOOR SPRING	ABH7038
	13	NYLON BINDER	AEC-093		58	TIMER BUTTON	AAD7152
	14	PCB SPACER (3×12)	AEC1372		59	MULTI DOOR	AAN7048
	15	PCB CONNECTOR (PVC)	AEC1500		60	LOCK LEVER SPRING	ABH7004
NSP	16	FRONT PANEL ASSY	AMB7217		61	DAMPER ASSY	AXA7021
	17	AMPLIFIER PLATE	AAK7111		62	
	18	DECK PLATE L	AAK7112		63	GROUND LEAD	ADB1005
	19	DECK PLATE R	AAK7113	NSP	64	PARALLEL WIRE (J2)	D20PYY0615E
	20	SUPPORT ROD	AMR7034		65	LOCK LEVER	AEC7015
	21	MIC ASSY	AWZ7539		66	SUPPORT PLATE	AMR7033
	22	VOL KNOB	AAB7039	NSP	67	WIRE	YJ6HW0-30-35/35
	23	MIC VOL KNOB	AAB7040	NSP	68	WIRE	YJ6HW8-30-35/35
	24	BONNET	ANE7045		69	NYLON RIVET	AEC-525
	25	AF CD ASSY	AWZ7544				
	26	VR ASSY	AWZ7551				
	27	HEADPHONE ASSY	AWZ7555				
	28	S. TRANS ASSY	AWZ7557				
	29	DISPLAY ASSY	AWZ7525				
	30	SW ASSY	AWZ7537				
	31	PRIMARY ASSY	AWZ7535				
	32	FM/AM TUNER MODULE	AXQ1012				
	33	POWER AMP MODULE	AXQ7017				
	34	SCREW (P2.6×8)	ABA1005				
	35	SCREW	ASZ40P060FMC				
	36	SCREW	BBZ30P060FMC				
	37	SCREW	BBZ30P080FZK				
	38					
	39	SCREW	VPZ30P080FMC				
	40	SCREW	CBZ30P080FMC				
	41	SCREW	VPZ30P080FZK				
	42	FRONT PANEL	AMB7213				
	43	STA. LENS	AAK7099				
	44	FUNCTION BUTTON	AAD7151				
	45	DOOR-L	AAN7065				



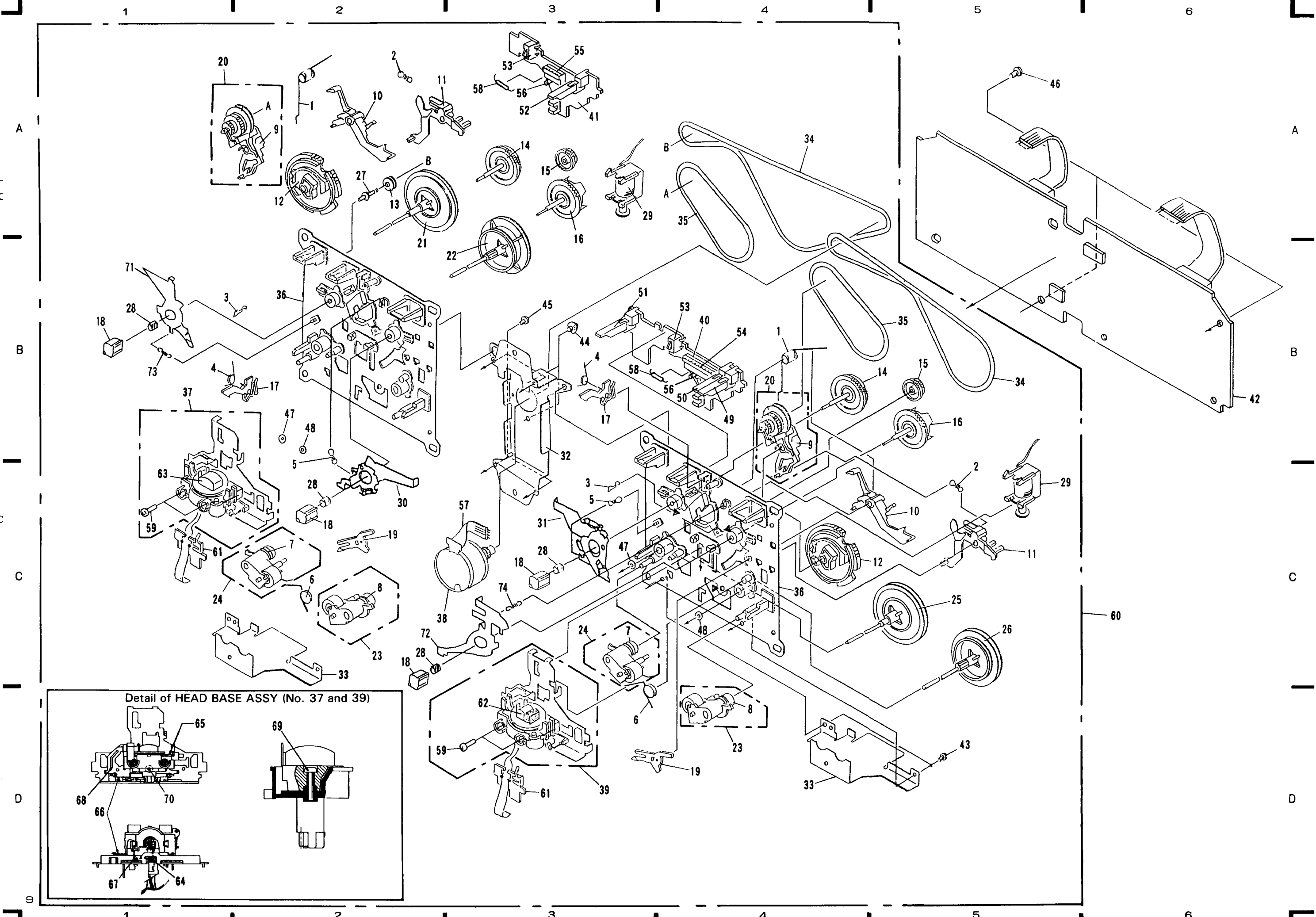
NOTE : Screws adjacent to ▼ mark on the product are used for disassembly.

XR-P5500M, XR-P4500M

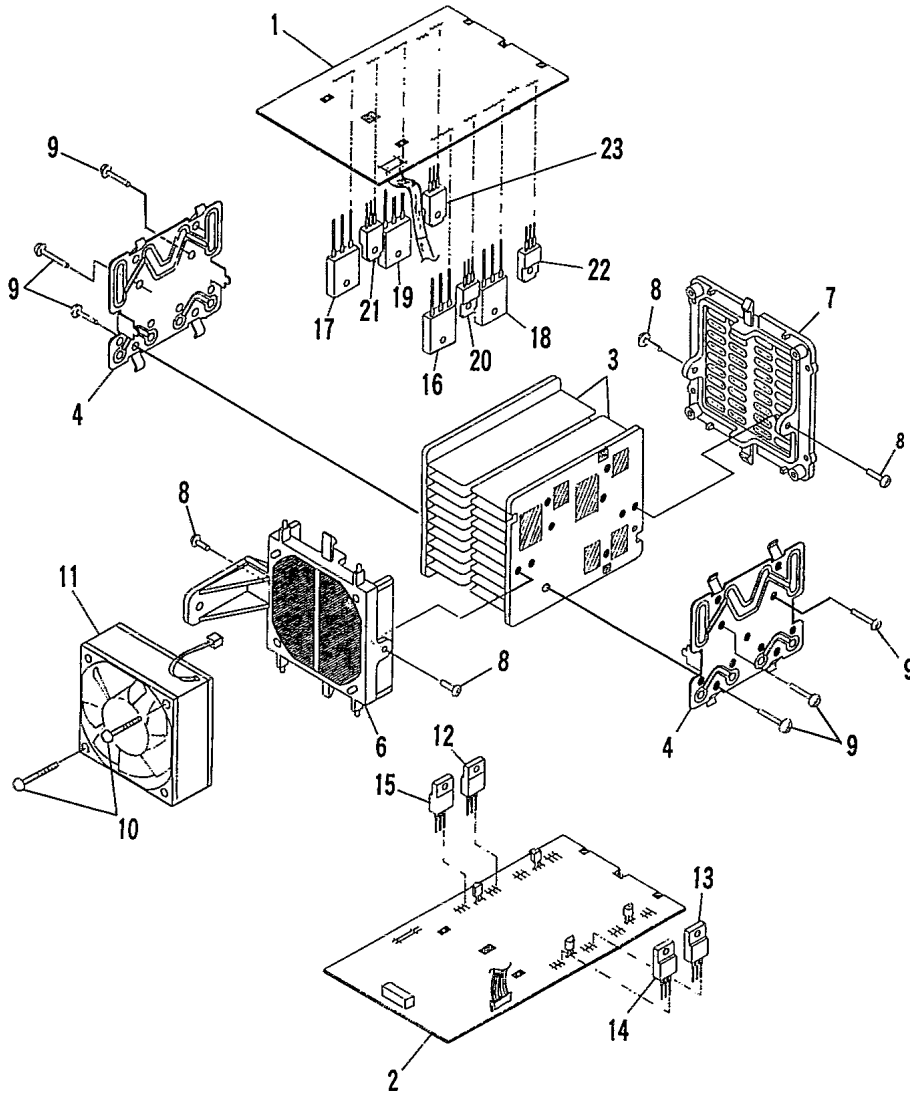
2.3 CASSETTE MOD. B

Parts List of Cassette Mod. B

Mark	No.	Description	Parts No.	Mark	No.	Description	Parts No.
	1	SPRING	EBH1467		46	SCREW	ATZ26P080FMC
	2	SPRING	EBH1475		47	WASHER	EBP1028
	3	SPRING	EBL1023		48	WASHER	EBP1027
	4	SPRING	EBH1478		49	SWITCH (AR-R)	ESN1009
	5	SPRING	EBH1483		50	SWITCH (CrO2)	ESN1009
	6	SPRING	EBH1472		51	SWITCH (AR-F)	ESN1009
	7	SPRING	EBH1496		52	SWITCH (CrO2)	ESN1009
	8	SPRING	EBH1495		53	SWITCH (HALF)	ESG1003
	9	ARM	ENV1431		54	CONNECTOR (15P)	EKS1012
	10	BRAKE	ENV1395		55	CONNECTOR (8P)	EKS1020
	11	ARM	ENV1394		56	PHOTO INTERRUPTER	ON1004
	12	GEAR	ENV1393		57	LEAD WIRE	EDD1012
	13	PULLEY	ENV1291		58	RESISTOR	ERD25T561S
	14	REEL	ENV1385		59	SCREW (For AZIMUTH)	EBA1034
	15	GEAR	ENV1383		60	CASSETTE MECHA UNIT	EXA1408
	16	REEL	ENV1384		61	SPRING	EBL1019
	17	ARM	ENV1400		62	HEAD UNIT	EXA1316
	18	REEL COLLAR UNIT	EXA1400		63	HEAD UNIT	EXA1317
	19	ARM	ENV1403		64	SPRING	EBH1473
	20	LIMITER UNIT	EXA1349		65	SPRING	EBH1474
	21	FLYWHEEL UNIT	EXA1330		66	SPRING	EBH1476
	22	FLYWHEEL UNIT	EXA1329		67	SPRING	EBH1479
	23	ROLLER UNIT	EXA1352		68	LEVER	ENC1349
	24	ROLLER UNIT	EXA1353		69	SCREW	EBA1035
	25	FLYWHEEL UNIT	EXA1322		70	SCREW	BBZ20P060FMC
	26	FLYWHEEL UNIT	EXA1321		71	ARM	ENC1402
	27	SHAFT	ELA1332		72	ARM	ENC1403
	28	SPRING	EBH1468		73	SPRING	EBH1525
	29	SOLENOID	EXP1011		74	SPRING	EBH1526
	30	ARM UNIT	EXA1372				
	31	ARM UNIT	EXA1371				
	32	BRACKET	ENC1357				
	33	BRACKET	AZN7094				
	34	BELT	ENT1033				
	35	BELT	ENT1032				
	36	CHASSIS UNIT	EXA1348				
	37	HEAD BASE ASSY	EXX1036				
	38	MOTOR ASSY	EXX1030				
	39	HEAD BASE ASSEMBLY	EXX1035				
	40	SUB COMPLEX PCB	ENX1032				
	41	SUB COMPLEX PCB	ENX1031				
	42	DECK UNIT	EWM1005				
	43	SCREW	BSL20P040FMC				
	44	SCREW	PMS26P025FUC				
	45	SCREW	BSL20P030FMC				



2.4 POWER AMP MODULE



Note: Ensure that silicon grease does not adhere to the MOLD A (No. 6) and MOLD B (No. 7).

Parts List of Power Amp Module

Mark	No.	Description	Parts No.	Mark	No.	Description	Parts No.
	1	FRONT 100W ASSY	AWZ7518		13	REGULATOR IC (IC7402)	NJM7912FA
	2	REGULATOR ASSY	AWZ7520		14	REGULATOR IC (IC7403)	NJM7812FAS
	3	HEAT SINK (AL)	ANH7007		15	REGULATOR IC (IC7404)	NJM7805FAS
	4	BRACKET	ANG1868		16	TRANSISTOR (Q7511)	2SA1264N
	5		△	17	TRANSISTOR (Q7512)	2SA1264N
	6	MOLD A	AMR2594	△	18	TRANSISTOR (Q7513)	2SC3181N
	7	MOLD B	AMR2595	△	19	TRANSISTOR (Q7514)	2SC3181N
	8	SCREW (3×10)	ABA1021	△	20	TRANSISTOR (Q7503)	2SC4793
	9	SCREW	BBZ30P140FZK		21	TRANSISTOR (Q7504)	2SC4793
	10	SCREW	BPZ30P350FZK		22	TRANSISTOR (Q7509)	2SA1837
	11	FAN MOTOR	AXM7003		23	TRANSISTOR (Q7510)	2SA1837
	12	REGULATOR IC (IC7401)	NJM7812FAS				

2.5 MULTI MECHA ASSY

Parts List of Multi Mecha Assy

Mark	No.	Description	Parts No.	Mark	No.	Description	Parts No.
	1	MOTOR PULLEY	PNW1634		46	SILENT RING	PBK1093
	2	GEAR HOLDER	PNW1929		47	WASHER	WA62D130D025
	3	PU FREXIBLE CABLE	PNP1343		48	EARTH SPRING	PBH1132
	4	CAM GEAR	PNW1923		49	GUIDE BAR	PLA1094
	5	BELT	PEB1138		50	DISC TABLE	PNW1067
	6	TOP GUIDE N	PNW2441		51	GEAR 1	PNW2052
	7	GEAR PULLEY	PNW1918		52	GEAR 2	PNW2053
	8	GEAR S	PNW1919		53	GEAR 3	PNW2054
	9	GEAR L	PNW1920		54	PINION GEAR	PNW2055
	10	EJECT SPRING	PBH1107		55	PWB HOLDER	PNW2057
	11	SWITCH LEVER	PNW1927	NSP	56	CARRIAGE DC MOTOR/0.3W	PXM1027
	12	SEVEN BAR	PNW1931		57	D.C. MOTOR ASSY	PEA1235
	13	SUB ROTARY LEVER	PNW1933			(SPINDLE, with OIL)	
	14	SUB ROTARY LEVER SPRING	PBH1111		58	PICKUP ASSY	PEA1179
	15	ROTARY LEVER	PNW1932		59	DISC TABLE ASSY	PEA1035
					60	SCREW	BBZ26P060FMC
	16	DRIVE PLATE	PNW1930		61	SCREW	BPZ20P060FMC
	17	MOTOR SCREW	PBA-112		62	SCREW	BPZ26P100FMC
	18	HOLDER LEVER SPRING	PBH1110		63	SCREW	JFZ17P025FZK
	19	DISC HOLDER	PNW1924		64	SCREW	JFZ20P040FMC
	20	CUSHION A	PED1001		65	WASHER	WT12D032D025
	21	HOLDER LEVER	PNW1925		66	
	22	FLOAT RUBBER	PEB1014		67	STOP SPRING	PBH1131
	23	FLOAT RUBBER	PEB1132		68	STOPPER	PNW2069
	24	FLOAT SCREW	PBA1073		69	CARRIAGE DC MOTOR ASSY	PEA1246
	25	RELEASE LEVER	PNW1934				
	26	RELEASE SPRING	PBH1106				
	27	CLAMPER CAM	PNW1922				
	28	CLAMPER HOLDER	PNW1921	NSP	101	MOTOR	VXM1033
	29	CLAMPER SPRING	PBH1109		102	EJECT LEVER	PNB1306
	30	CLAMPER	PNW1857		103	UPPER CHASSIS N	PNB1267
				NSP	104	SERVO MECHANISM ASSY M	PXA1537
	31	LOCK LEVER	PNW1917	NSP	105	LOADING BOARD ASSY	AWZ7207
	32	LOCK SPRING	PBH1108				
	33	STAIR NL	PNW2443		106	SUB CHASSIS N	PNW2440
	34	STAIR NR	PNW2444		107	
	35	SYNCHRONIZE LEVER	PNW1926		108	MAIN CHASSIS	PNW2074
				NSP	109	SELECT BOARD ASSY	AWZ7209
	36	MOTOR ASSY (LOADING, DISC SELECT)	PEA1130	NSP	110	MOTOR BOARD ASSY	AWZ7208
	37	SCREW	PMZ26P040FMC	NSP	111	MECHANISM BOARD ASSY	PWX1192
	38	SCREW	PPZ30P080FMC	NSP	112	EARTH LEAD UNIT	PDF1074
	39	SCREW	BBZ30P060FMC		113	CLAMP MAGNET	PMF1014
	40	WASHER	WT26D047D025	NSP	114	GEAR STOPPER	PNB1303
				NSP	115	YOKE M	PNB1312
	41	WASHER	WA31D054D025				
	42	E RING	Z39-010	NSP	116	AV ANGLE	PNB1405
	43	SCREW	IPZ30P080FMC		117	CARRIAGE BASE	PNW2445
	44	RUBBER SPACER	PEB1238				
	45	RUBBER SPACER	PEB1179				

*1: Fix the motor (No. 101) on the LOADING BOARD ASSY (No. 105) so that the label attached on the motor faces the direction illustrated.

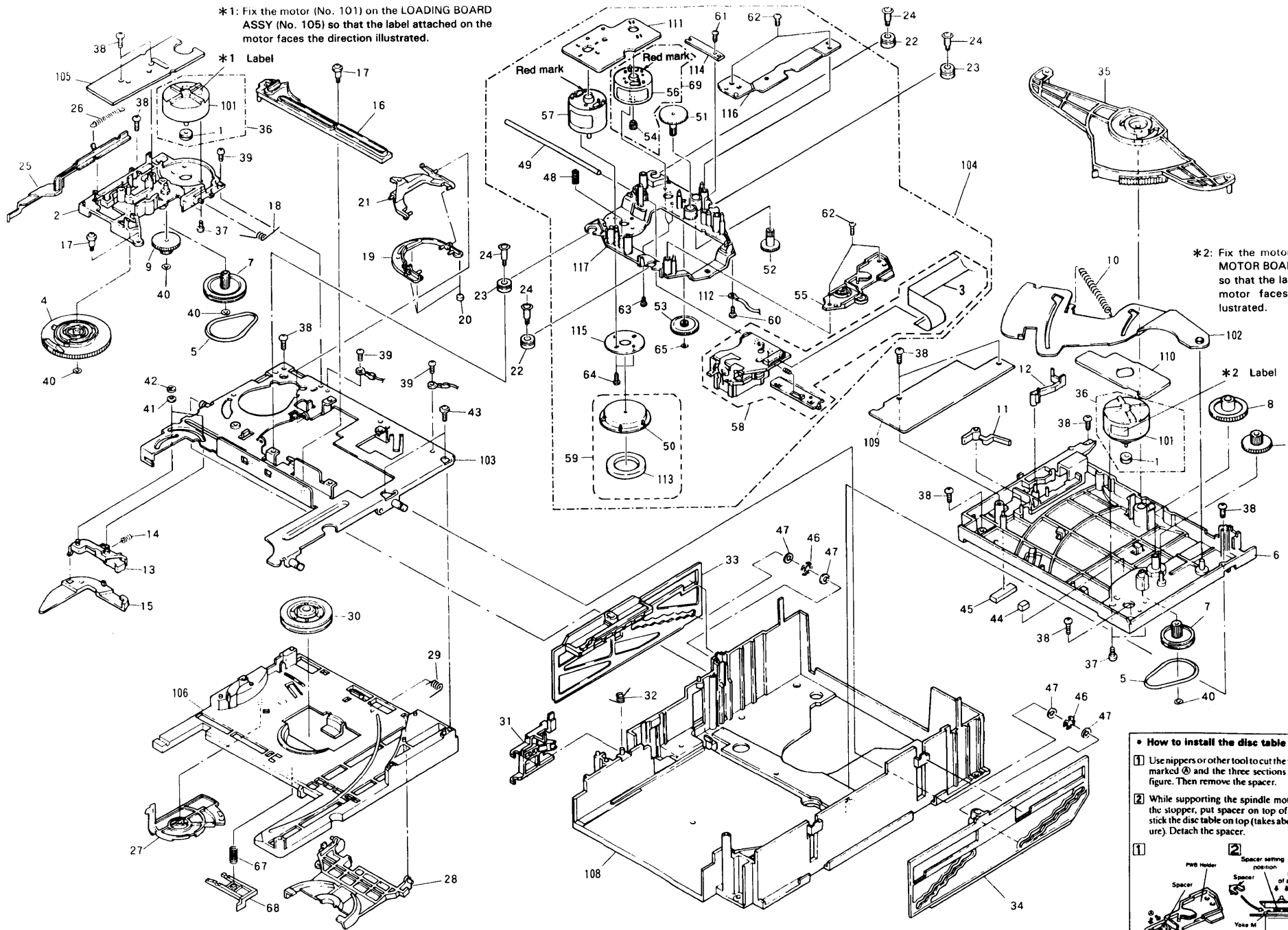
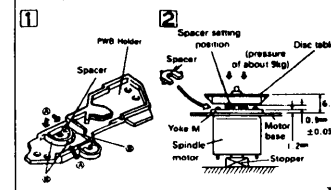
*1 Label

*2: Fix the motor (No. 101) on the MOTOR BOARD ASSY (No. 110) so that the label attached on the motor faces the direction illustrated.

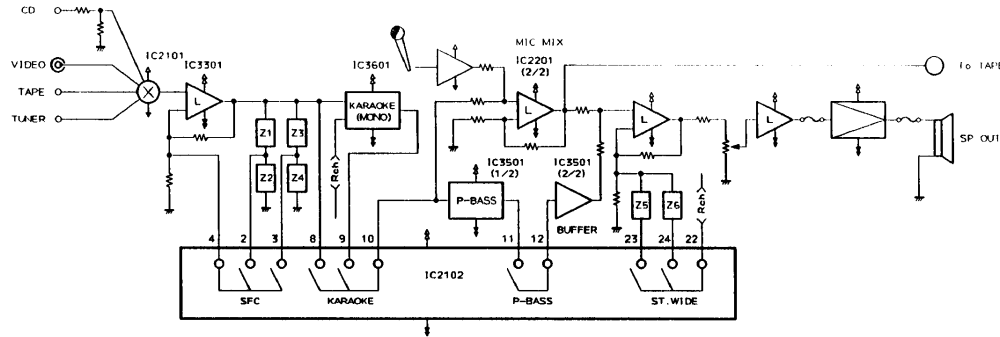
*2 Label

• How to install the disc table

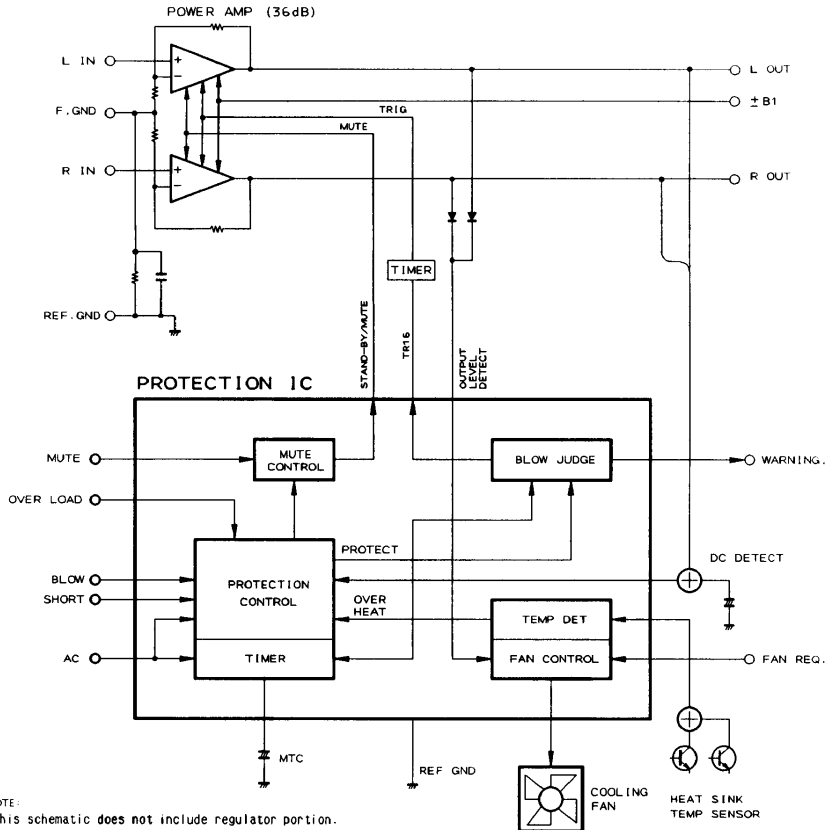
- 1 Use nippers or other tool to cut the three sections marked ① and the three sections marked ② in figure. Then remove the spacer.
- 2 While supporting the spindle motor shaft with the stopper, put spacer on top of yoke M, and stick the disc table on top (takes about 9kg pressure). Detach the spacer.



3. BLOCK DIAGRAM



POWER AMP MODULE SECTION



NOTE:
This schematic does not include regulator portion.

4. SCHEMATIC AND PCB CONNECTION DIAGRAMS

NOTE FOR SCHEMATIC DIAGRAMS (Type 1A)

1. When ordering service parts, be sure to refer to "PARTS LIST of EXPLODED VIEWS" or "PCB PARTS LIST".

2. Since these are basic circuits, some parts of them or the values of some components may be changed for improvement.

3. RESISTORS:
Unit: k:Ω, M:MΩ, or Ω unless otherwise noted.
Rated power: 1/4W, 1/6W, 1/8W, 1/10W unless otherwise noted.
Tolerance: (F): ±1%, (G): ±2%, (K): ±10%, (M): ±20% or ±5% unless otherwise noted.

4. CAPACITORS:
Unit: p:pF or μF unless otherwise noted.
Ratings: capacitor (μF)/ voltage (V) unless otherwise noted.
Rated voltage: 50V except for electrolytic capacitors.

5. COILS:
Unit: m:mH or μH unless otherwise noted.

6. VOLTAGE AND CURRENT:

V : Signal voltage at rated output.
or - V :

DC voltage (V) at no input signal unless otherwise noted.
Value in () is DC voltage at rated power.

mA or - mA :
DC current at no input signal unless otherwise noted.

7. OTHERS:

- ⊙ or ⊙ : Adjusting point.
- ⊙ : Measurement point.
- The Δ mark found on some component parts indicates the importance of the safety factor of the parts. Therefore, when replacing, be sure to use parts of identical designation.

8. SCH-□ ON THE SCHEMATIC DIAGRAM:

- SCH-□ indicates the drawing number of the schematic diagram. (SCH stands for schematic diagram.)

9. SWITCHES (Underline indicates switch position):

- DISPLAY assy
- S1801 TUNING +
 - S1802 SFC/KARAOKE
 - S1803 FUNCTION (DEMO)
 - S1804 TUNING -
 - S1805 FM
 - S1806 P. BASS
 - S1807 SURROUND & STEREO WIDE
 - S1808 AM
 - S1809 MEMORY
 - S1810 CD DISPLAY
 - S1811 MONO
 - S1812 FREQ/CLOCK
 - S1813 CLOCK/CLOCK ADJ
 - S1814 TIMER REC/WAKE-UP
 - S1815 POWER STANDBY/ON

SW assy

- S1816 ◀ REV PLAY
- S1817 ▶ FWD PLAY
- S1818 ■ STOP (TAPE)
- S1819 TAPE I / II
- S1820 ■ STOP (CD)
- S1821 ▶▶ PLAY/PAUSE
- S1822 ▶▶ FF
- S1823 DOLBY NR
- S1824 ● REC PAUSE
- S1825 ASES/COPY
- S1826 ◀◀ REW
- S1827 ▲ OPEN/EJECT
- S1828 ▶▶▶ TRACK/MANUAL FWD SERCH
- S1829 ◀◀◀ TRACK/MANUAL REV SERCH
- S1830 DISC SELECTOR 2
- S1831 DISC SELECTOR 1
- S1832 DISC SELECTOR 6
- S1833 DISC SELECTOR 5
- S1834 DISC SELECTOR 4
- S1835 DISC SELECTOR 3

4.1 OVERALL SCHEMATIC DIAGRAM

A

B

C

D

E

F

A

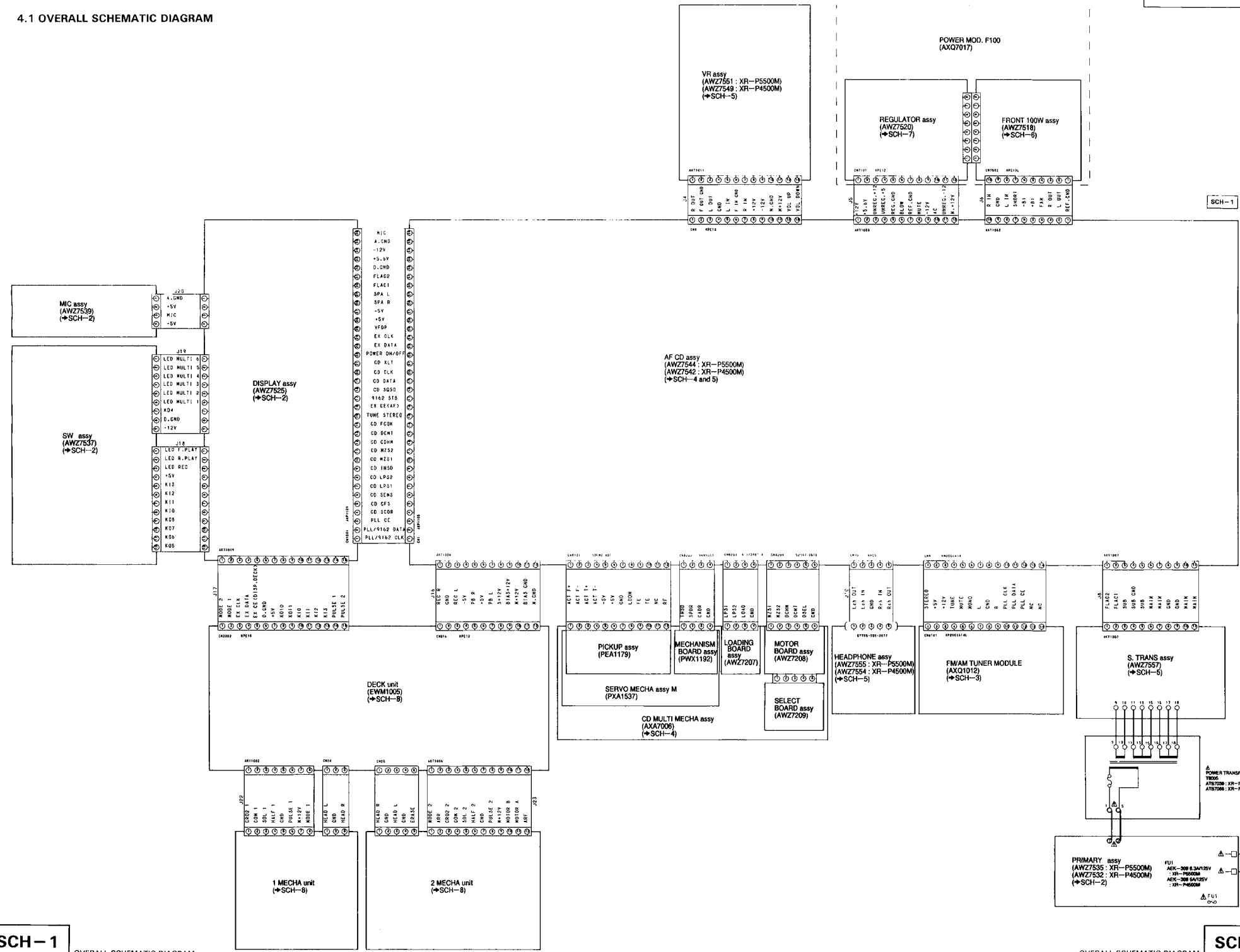
B

C

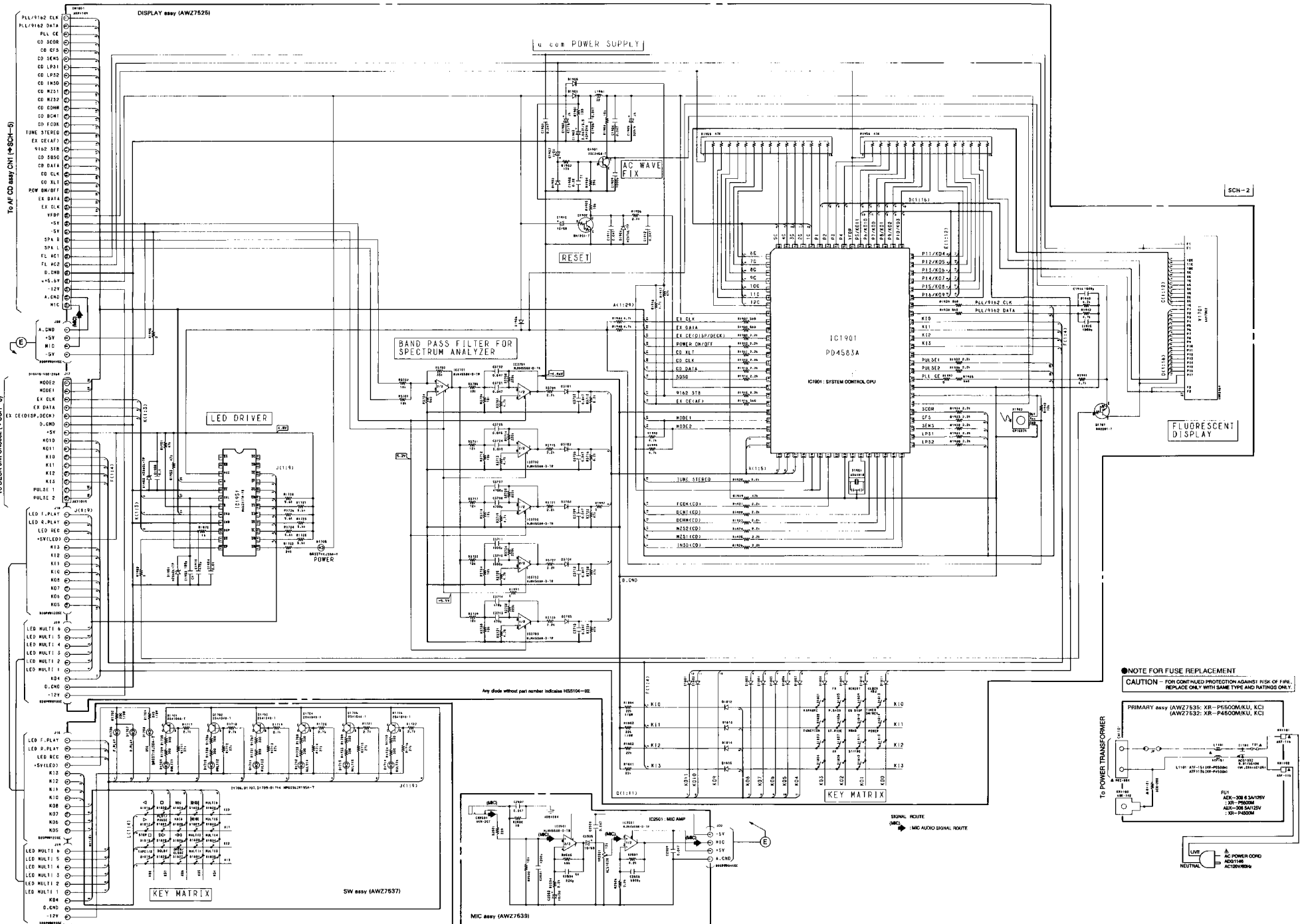
D

E

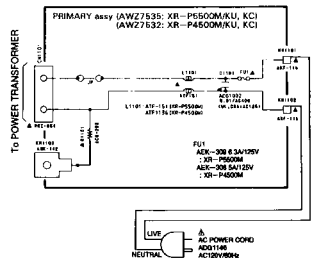
F

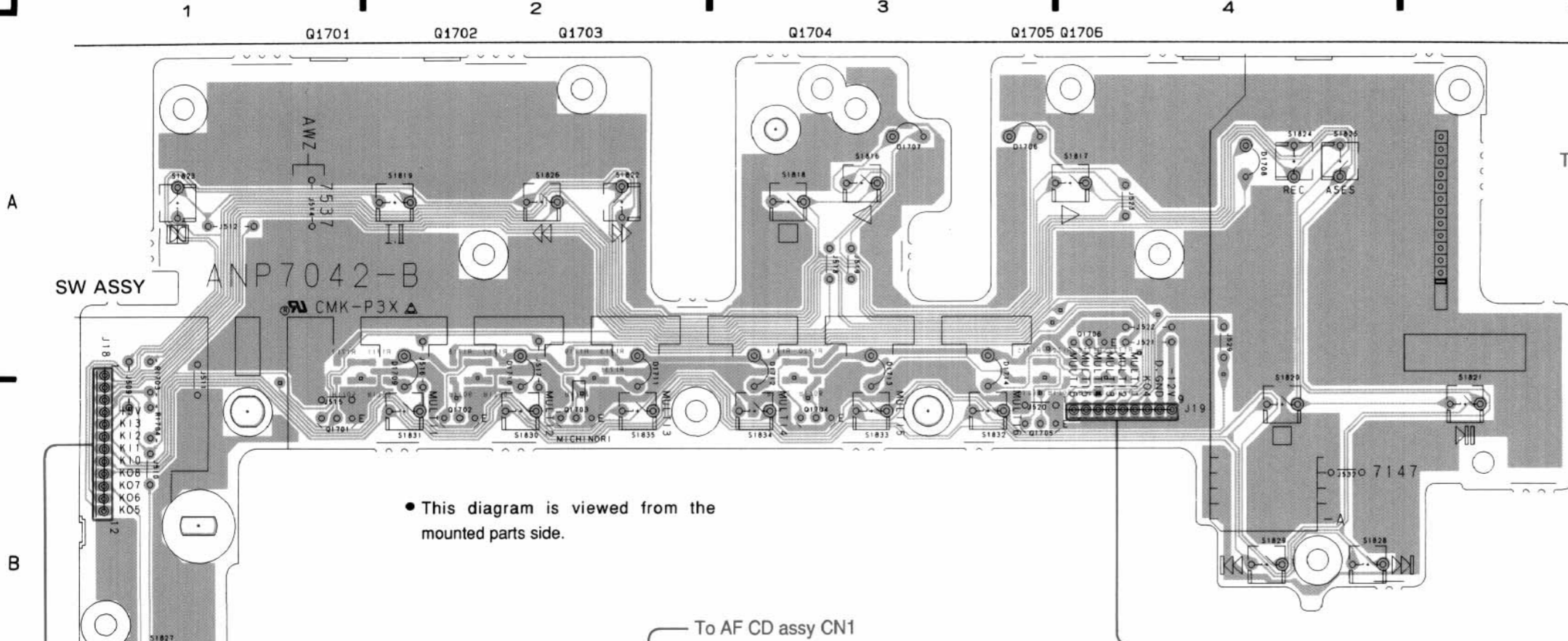


4.2 DISPLAY ASSY, SW ASSY, MIC ASSY AND PRIMARY ASSY

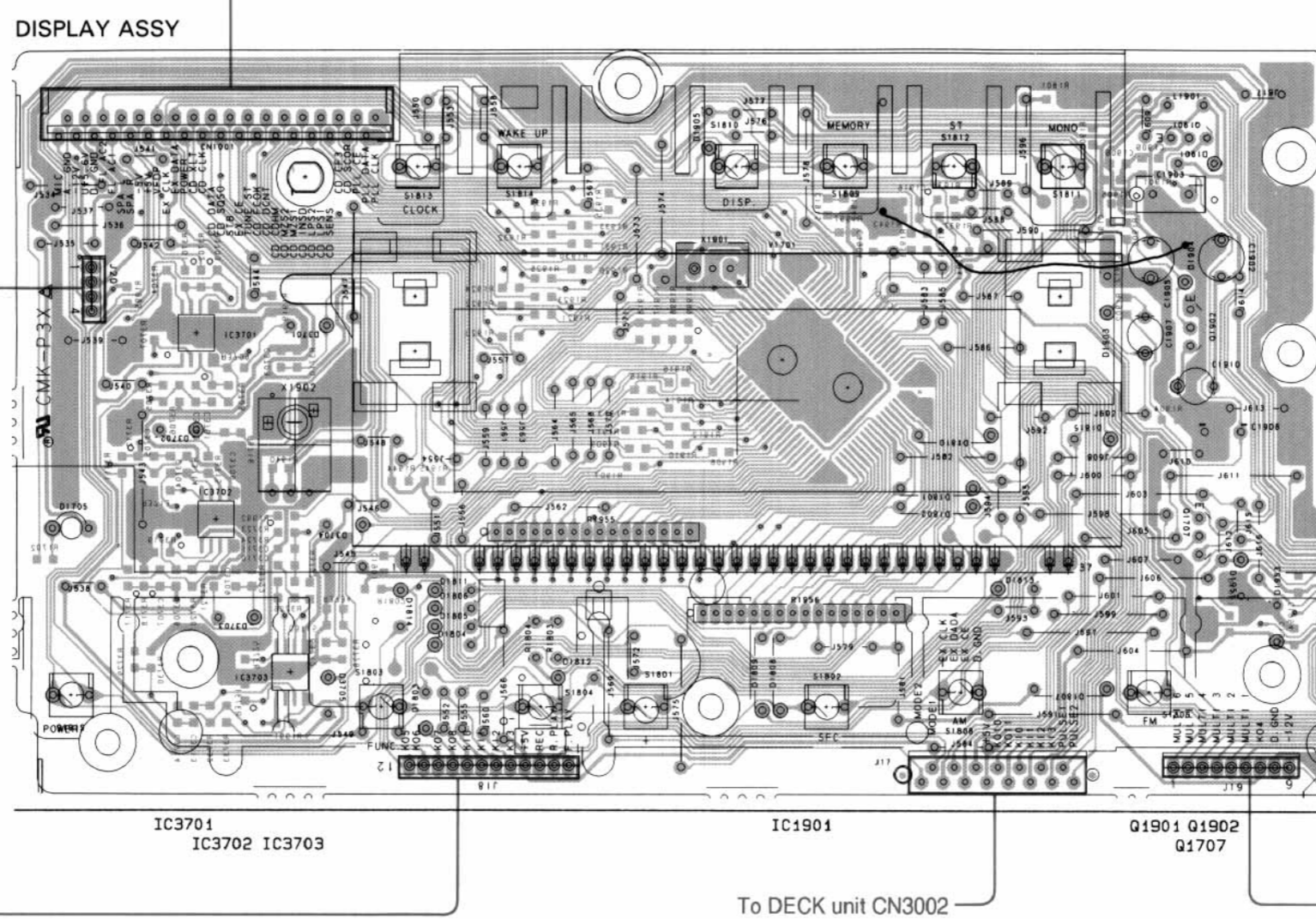
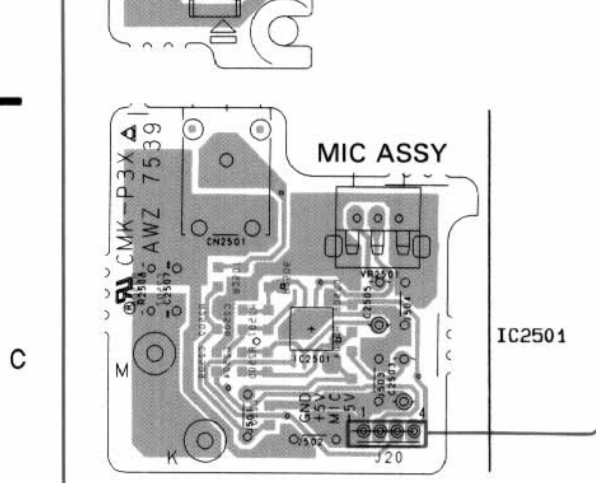
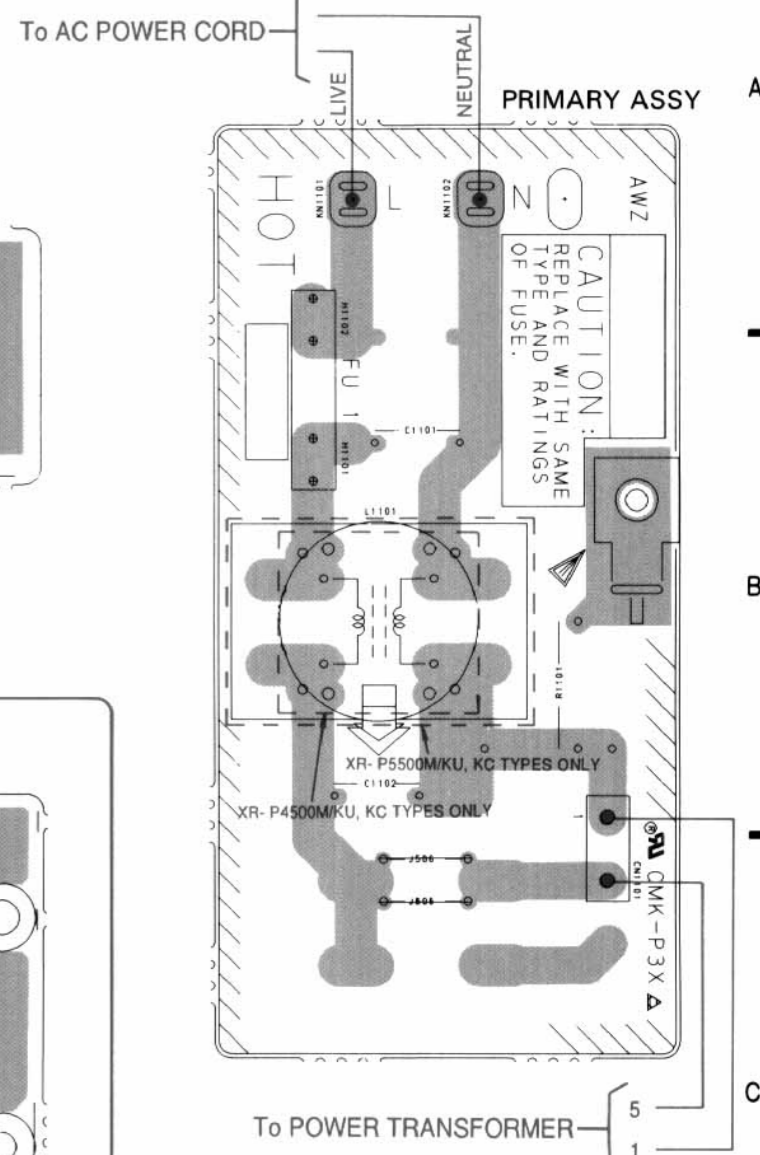


NOTE FOR FUSE REPLACEMENT
 CAUTION - FOR CONTAINED PROTECTION AGAINST RISK OF FIRE, REPLACE ONLY WITH SAME TYPE AND RATINGS ONLY.





• This diagram is viewed from the mounted parts side.



NOTE FOR PCB DIAGRAMS:
 1. Part numbers in PCB diagrams match those in the schematic diagrams.
 2. A comparison between the main parts of PCB and schematic diagrams is shown below.

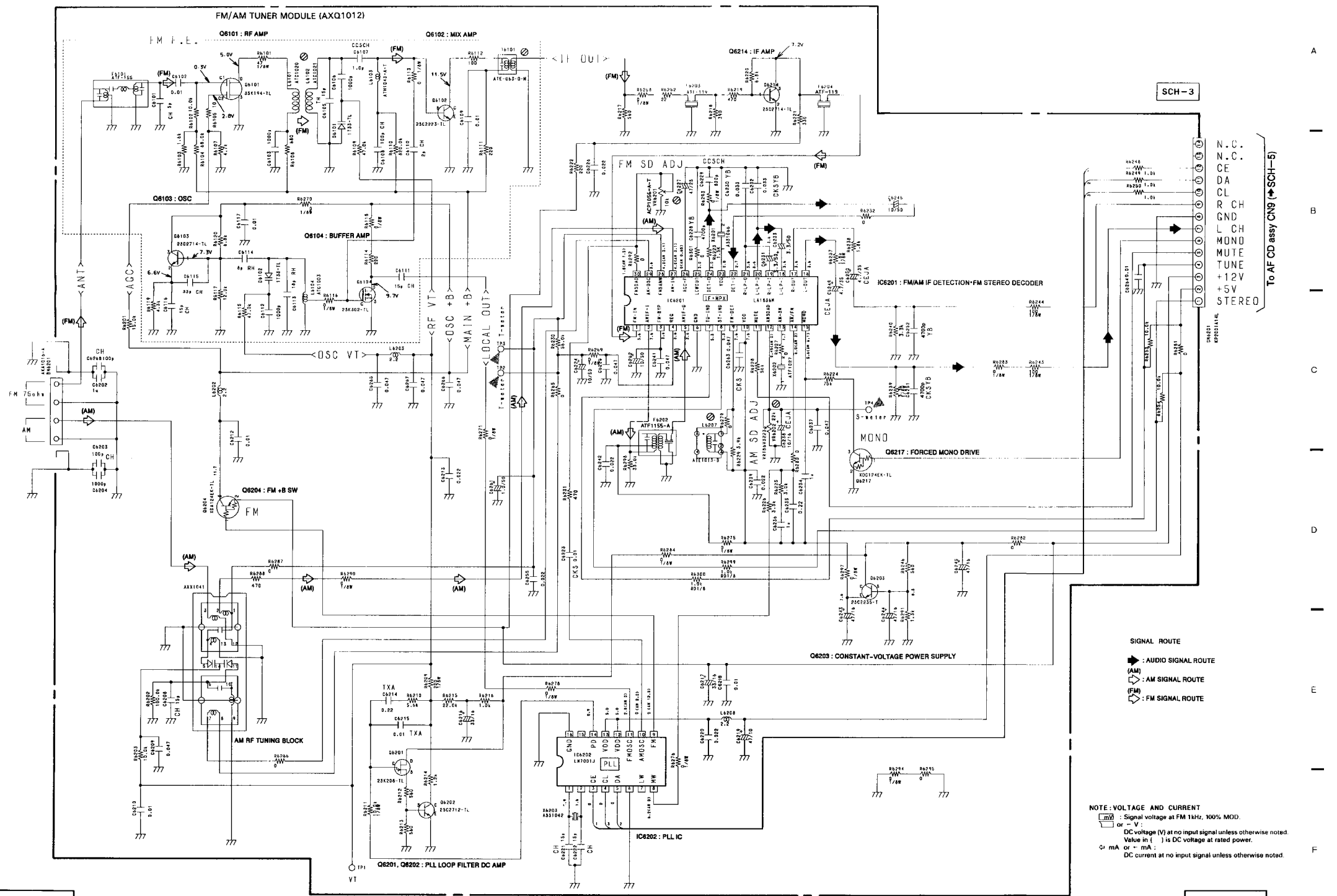
Symbol in PCB Diagrams	Symbol in Schematic Diagrams	Part Name
 Q504	 Q504	Transistor
 D203	 D203	Diode
 C513	 C513	Capacitor (Polarized)

3. The transistor terminal marked with E or \square shows the emitter.
 4. The diode terminal marked with \oplus or \ominus shows cathode side.
 5. The capacitor terminal marked with \oplus or \ominus shows negative terminal.

A
B
C
D
E
F

A
B
C
D
E
F

FM/AM TUNER MODULE (AXQ1012)



SCH-3

- N.C.
 - N.C.
 - CE
 - DA
 - CL
 - R CH
 - L CH
 - MONO
 - MUTE
 - TUNE
 - +12V
 - +5V
 - STEREO
- To AF CD assy CN9 (→SCH-5)

- SIGNAL ROUTE
- ▶ AUDIO SIGNAL ROUTE
 - (AM) AM SIGNAL ROUTE
 - (FM) FM SIGNAL ROUTE

NOTE: VOLTAGE AND CURRENT

- : Signal voltage at FM 1kHz, 100% MOD.
- or - V :
- DC voltage (V) at no input signal unless otherwise noted.
- Value in () is DC voltage at rated power.
- ⊙ mA or - mA :
- DC current at no input signal unless otherwise noted.

SCH-3

FM/AM TUNER MODULE

SCH-3

FM/AM TUNER MODULE

4.4 AF CD ASSY, VR ASSY, HEADPHONE ASSY, S. TRANS ASSY AND MULTI MECHA ASSY

A

B

C

D

E

F

A

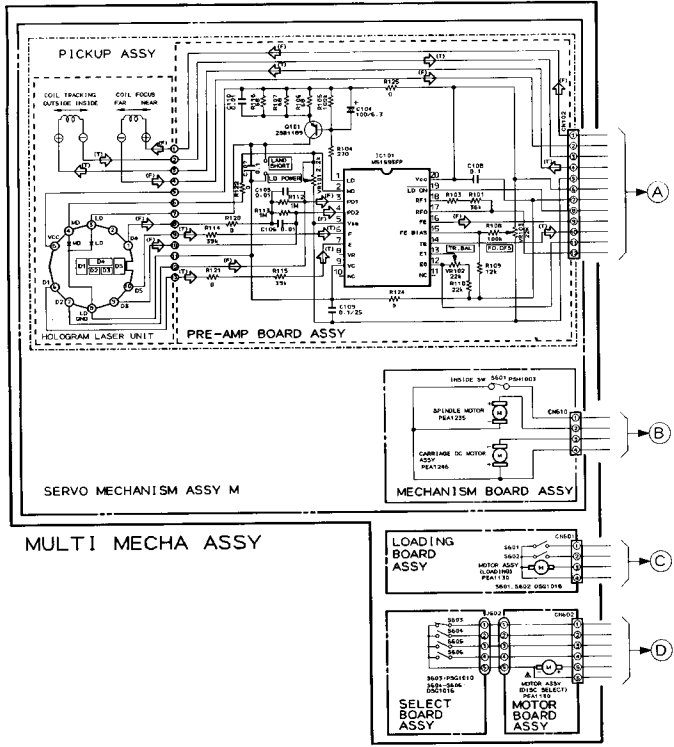
B

C

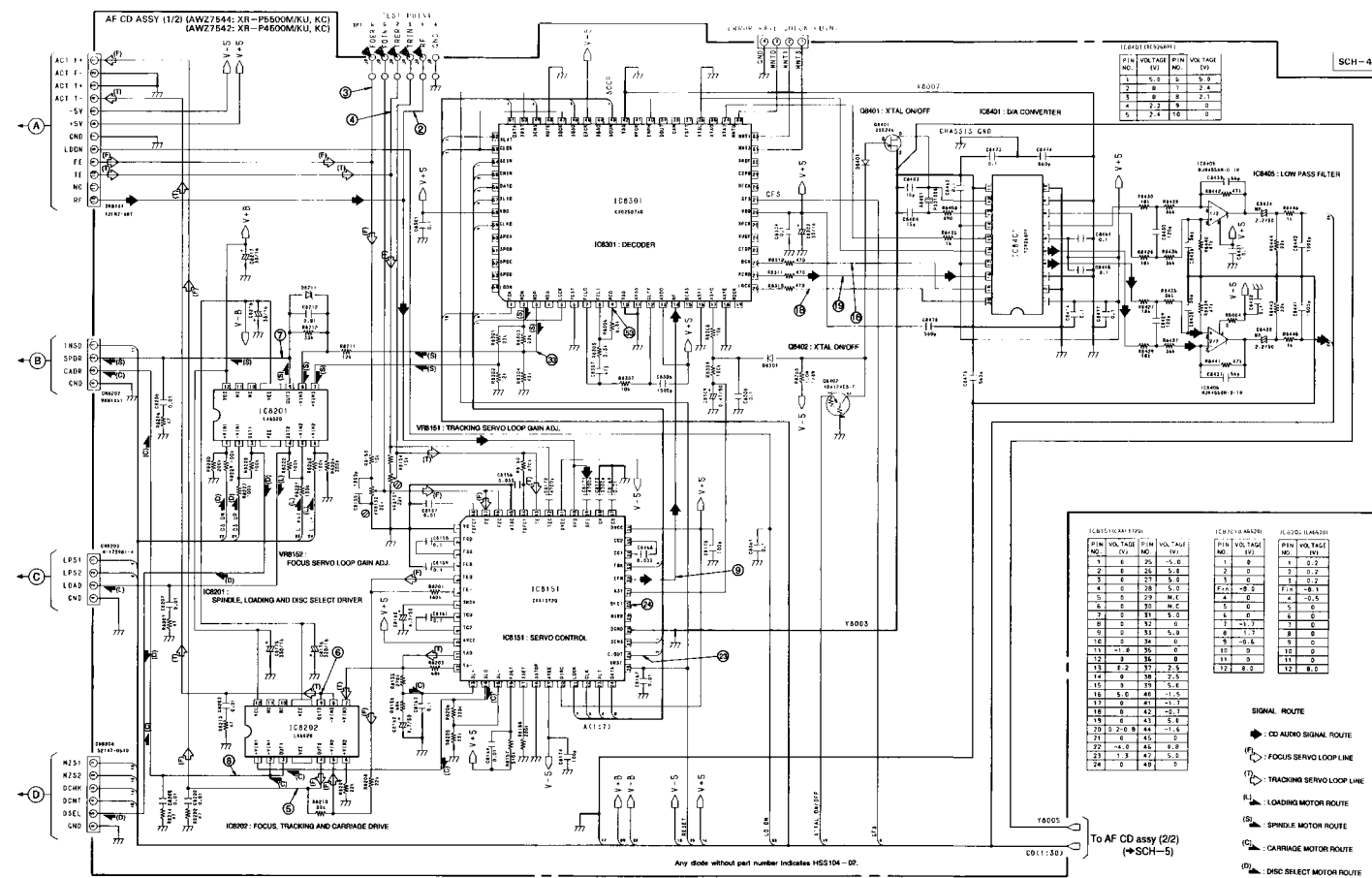
D

E

F



NOTE: VOLTAGE AND CURRENT
 □ or ∅ = V
 □ = DC voltage (V) in PLAY mode unless otherwise noted.
 ∅ = mA
 □ = DC current in PLAY mode unless otherwise noted.
 Value in () is DC current in STOP mode.



IC8301 (CXD2507AU)

Pin No.	Voltage (V)	Pin No.	Voltage (V)	Pin No.	Voltage (V)	Pin No.	Voltage (V)
1	4.8	17	2.8	33	0	49	0
2	4.8	18	0	34	2.3	50	4.8
3	2.8	19	N.C	35	N.C	51	0
4	N.C	20	2.8	36	0	52	4.8
5	4.8	21	2.5	37	N.C	53	4.8
6	0	22	2.1	38	N.C	54	4.8
7	2.8	23	0	39	N.C	55	0
8	2.5	24	N.C	40	0	56	0
9	2.5	25	N.C	41	N.C	57	6.0
10	0	26	6.0	42	0	58	6.0
11	0	27	6.0	43	0	59	6.0
12	2.7	28	N.C	44	N.C	60	N.C
13	6.0	29	N.C	45	6.0	61	N.C
14	2.8	30	N.C	46	0	62	N.C
15	N.C	31	4.5	47	4.8	63	N.C
16	0	32	0	48	0	64	N.C

IC8401: LOW PASS FILTER

Pin	Voltage (V)	Pin	Voltage (V)
1	5.0	5	5.0
2	0	6	2.4
3	0	7	2.1
4	2.2	8	0
5	2.4	9	0

IC8301: DECODER

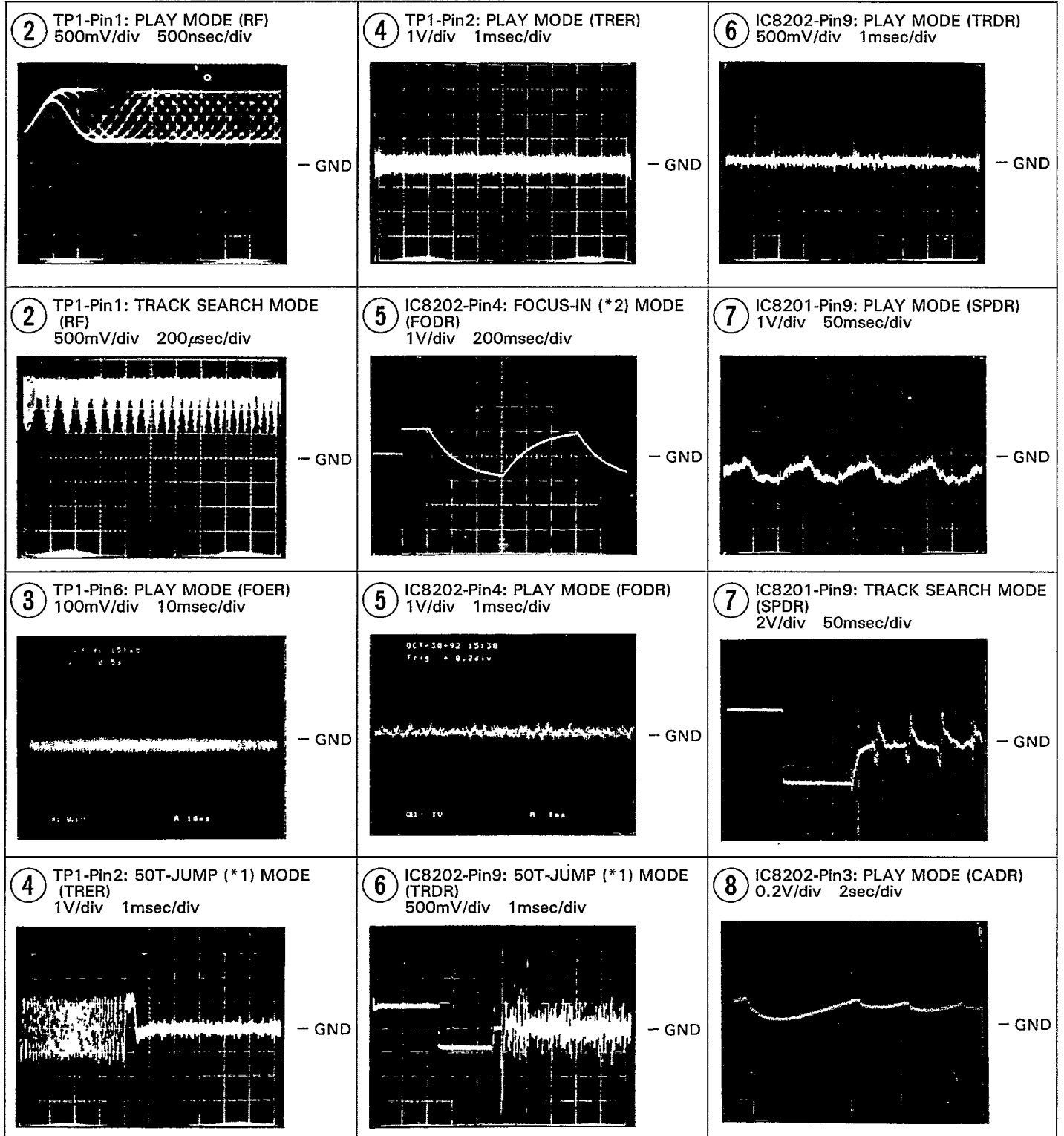
Pin	Voltage (V)	Pin	Voltage (V)	Pin	Voltage (V)	Pin	Voltage (V)
1	0	20	5.8	39	0	58	0
2	0	21	5.8	40	0	59	0
3	0	22	5.8	41	0	60	0
4	0	23	5.8	42	0	61	0
5	0	24	5.8	43	0	62	0
6	0	25	5.8	44	0	63	0
7	0	26	5.8	45	0	64	0
8	0	27	5.8	46	0	65	0
9	0	28	5.8	47	0	66	0
10	0	29	5.8	48	0	67	0
11	0	30	5.8	49	0	68	0
12	0	31	5.8	50	0	69	0
13	0	32	5.8	51	0	70	0
14	0	33	5.8	52	0	71	0
15	0	34	5.8	53	0	72	0
16	0	35	5.8	54	0	73	0
17	0	36	5.8	55	0	74	0
18	0	37	5.8	56	0	75	0
19	0	38	5.8	57	0	76	0
20	0	39	5.8	58	0	77	0
21	0	40	5.8	59	0	78	0
22	0	41	5.8	60	0	79	0
23	0	42	5.8	61	0	80	0
24	0	43	5.8	62	0	81	0
25	0	44	5.8	63	0	82	0
26	0	45	5.8	64	0	83	0
27	0	46	5.8	65	0	84	0
28	0	47	5.8	66	0	85	0
29	0	48	5.8	67	0	86	0
30	0	49	5.8	68	0	87	0
31	0	50	5.8	69	0	88	0
32	0	51	5.8	70	0	89	0
33	0	52	5.8	71	0	90	0
34	0	53	5.8	72	0	91	0
35	0	54	5.8	73	0	92	0
36	0	55	5.8	74	0	93	0
37	0	56	5.8	75	0	94	0
38	0	57	5.8	76	0	95	0
39	0	58	5.8	77	0	96	0
40	0	59	5.8	78	0	97	0
41	0	60	5.8	79	0	98	0
42	0	61	5.8	80	0	99	0
43	0	62	5.8	81	0	100	0
44	0	63	5.8	82	0	101	0
45	0	64	5.8	83	0	102	0
46	0	65	5.8	84	0	103	0
47	0	66	5.8	85	0	104	0
48	0	67	5.8	86	0	105	0
49	0	68	5.8	87	0	106	0
50	0	69	5.8	88	0	107	0
51	0	70	5.8	89	0	108	0
52	0	71	5.8	90	0	109	0
53	0	72	5.8	91	0	110	0
54	0	73	5.8	92	0	111	0
55	0	74	5.8	93	0	112	0
56	0	75	5.8	94	0	113	0
57	0	76	5.8	95	0	114	0
58	0	77	5.8	96	0	115	0
59	0	78	5.8	97	0	116	0
60	0	79	5.8	98	0	117	0
61	0	80	5.8	99	0	118	0
62	0	81	5.8	100	0	119	0
63	0	82	5.8	101	0	120	0
64	0	83	5.8	102	0	121	0
65	0	84	5.8	103	0	122	0
66	0	85	5.8	104	0	123	0
67	0	86	5.8	105	0	124	0
68	0	87	5.8	106	0	125	0
69	0	88	5.8	107	0	126	0
70	0	89	5.8	108	0	127	0
71	0	90	5.8	109	0	128	0
72	0	91	5.8	110	0	129	0
73	0	92	5.8	111	0	130	0
74	0	93	5.8	112	0	131	0
75	0	94	5.8	113	0	132	0
76	0	95	5.8	114	0	133	0
77	0	96	5.8	115	0	134	0
78	0	97	5.8	116	0	135	0
79	0	98	5.8	117	0	136	0
80	0	99	5.8	118	0	137	0
81	0	100	5.8	119	0	138	0
82	0	101	5.8	120	0	139	0
83	0	102	5.8	121	0	140	0
84	0	103	5.8	122	0	141	0
85	0	104	5.8	123	0	142	0
86	0	105	5.8	124	0	143	0
87	0	106	5.8	125	0	144	0
88	0	107	5.8	126	0	145	0
89	0	108	5.8	127	0	146	0
90	0	109	5.8	128	0	147	0
91	0	110	5.8	129	0	148	0
92	0	111	5.8	130	0	149	0
93	0	112	5.8	131	0	150	0
94	0	113	5.8	132	0	151	0
95	0	114	5.8	133	0	152	0
96	0	115	5.8	134	0	153	0
97	0	116	5.8	135	0	154	0
98	0	117	5.8	136	0	155	0
99	0	118	5.8	137	0	156	0
100	0	119	5.8	138	0	157	0
101	0	120	5.8	139	0	158	0
102	0	121	5.8	140	0	159	0
103	0	122	5.8	141	0	160	0
104	0	123	5.8	142	0	161	0
105	0	124	5.8	143	0	162	0
106	0	125	5.8	144	0	163	0
107	0	126	5.8	145	0	164	0
108	0	127	5.8	146	0	165	0
109	0	128	5.8	147	0	166	0
110	0	129	5.8	148	0	167	0
111	0	130	5.8	149	0	168	0
112	0	131	5.8	150	0	169	0
113	0	132	5.8	151	0	170	0
114	0	133	5.8	152	0	171	0
115	0	134	5.8	153	0	172	0
116	0	135	5.8	154	0	173	0
117	0	136	5.8	155	0	174	0
118	0	137	5.8	156	0	175	0
119	0	138	5.8	157	0	176	0
120	0	139	5.8	158	0	177	0
121	0	140	5.8	159	0	178	0
122	0	141	5.8	160	0	179	0
123	0	142	5.8	161	0	180	0
124	0	143	5.8	162	0	181	0
125	0	144	5.8	163	0	182	0
126	0	145	5.8	164	0	183	0
127	0	146	5.8	165	0	184	0
128	0	147	5.8	166	0	185	0
129	0	148	5.8	167	0	186	0
130	0	149	5.8	168	0	187	0
131	0	150	5.8	169	0	188	0
132	0	151	5.8	170	0	189	0
133	0	152	5.8	171	0	190	0
134	0	153	5.8	172	0	191	0
135	0	154	5.8	173	0	192	0
136	0	155	5.8	174	0	193	0
137	0	156	5.8	175	0	194	0
138	0	157	5.8	176	0	195	0
139	0	158	5.8	177	0	196	0
140	0	159	5.8	178	0	197	0
141	0	160	5.8	179	0	198	0
142	0	161	5.8	180	0	199	0
143	0	162	5.8	181	0	200	0
144	0	163	5.8	182	0	201	0
145	0	164	5.8	183	0	202	0
146	0	165	5.8	184	0	203	0
147	0	166	5.8	185	0	204	0
148	0	167	5.8	186	0	205	0
149	0	168	5.8	187	0	206	0
150	0	169	5.8	188	0	207	0
151	0	170	5.8	189	0	208	0
152	0	171	5.8	190	0	209	0
153	0	172	5.8	191	0	210	0
154	0	173	5.8	192	0	211	0
155	0	174	5.8	193	0	212	0
156	0	175	5.8	194	0	213	0
157	0	176	5.8	195	0	214	0
158	0	177	5.8	196	0	215	0
159	0	178	5.8	197	0	216	0
160							

Waveforms

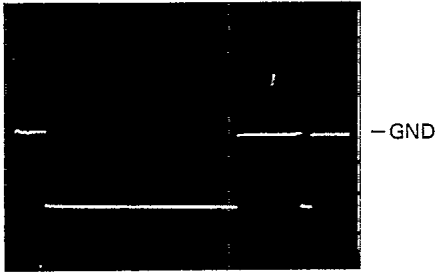
Note: The encircled numbers denote measuring point in the schematic diagram.

*1 50T-JUMP: After switching to the pause mode, press the manual search key.

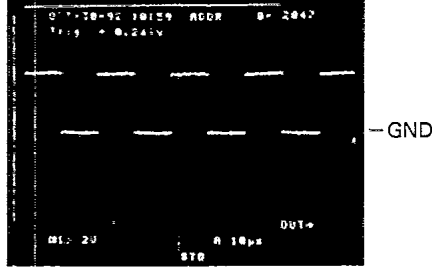
*2 FOCUS-IN: Press the key without loading a disc.



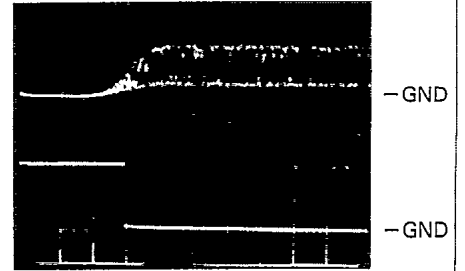
8 IC8202-Pin3: TRACK SEARCH MODE (CADR)
2V/div 200msec/div



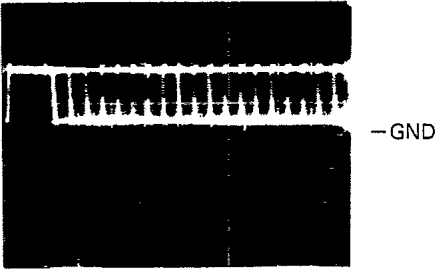
18 IC8301-Pin20: PLAY MODE (1kHz) (LRCK)
2V/div 10μsec/div



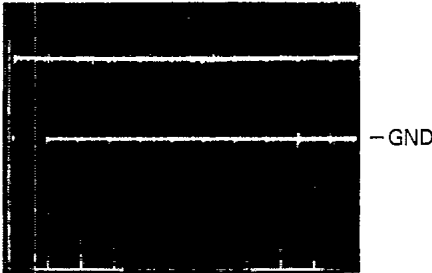
24 : PLAY MODE
Upper: TP1-Pin1 (RF) 1V/div
Lower: IC8151-Pin30 (DFCT) 5V/div 200μsec/div



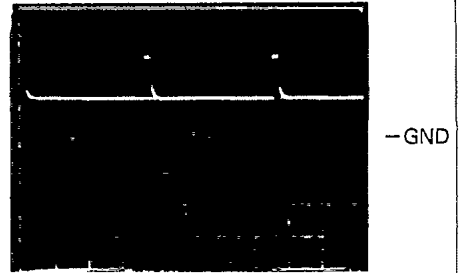
9 IC8151-Pin32: PLAY MODE (EFM)
2V/div 500nsec/div



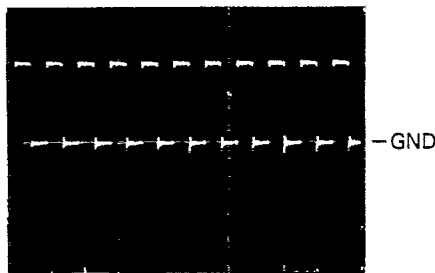
19 IC8301-Pin21: PLAY MODE (1kHz) (PCMD)
2V/div 500nsec/div



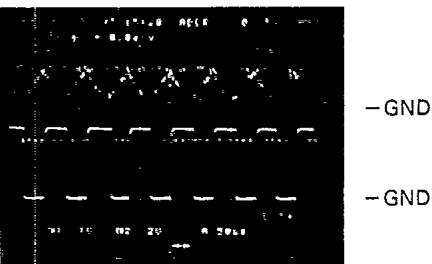
33 IC8301-Pin3: PLAY MODE (MDP)
2V/div 2μsec/div



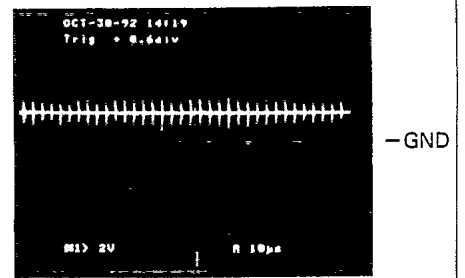
16 IC8301-Pin22: PLAY MODE (1kHz) (BCK)
2V/div 500nsec/div

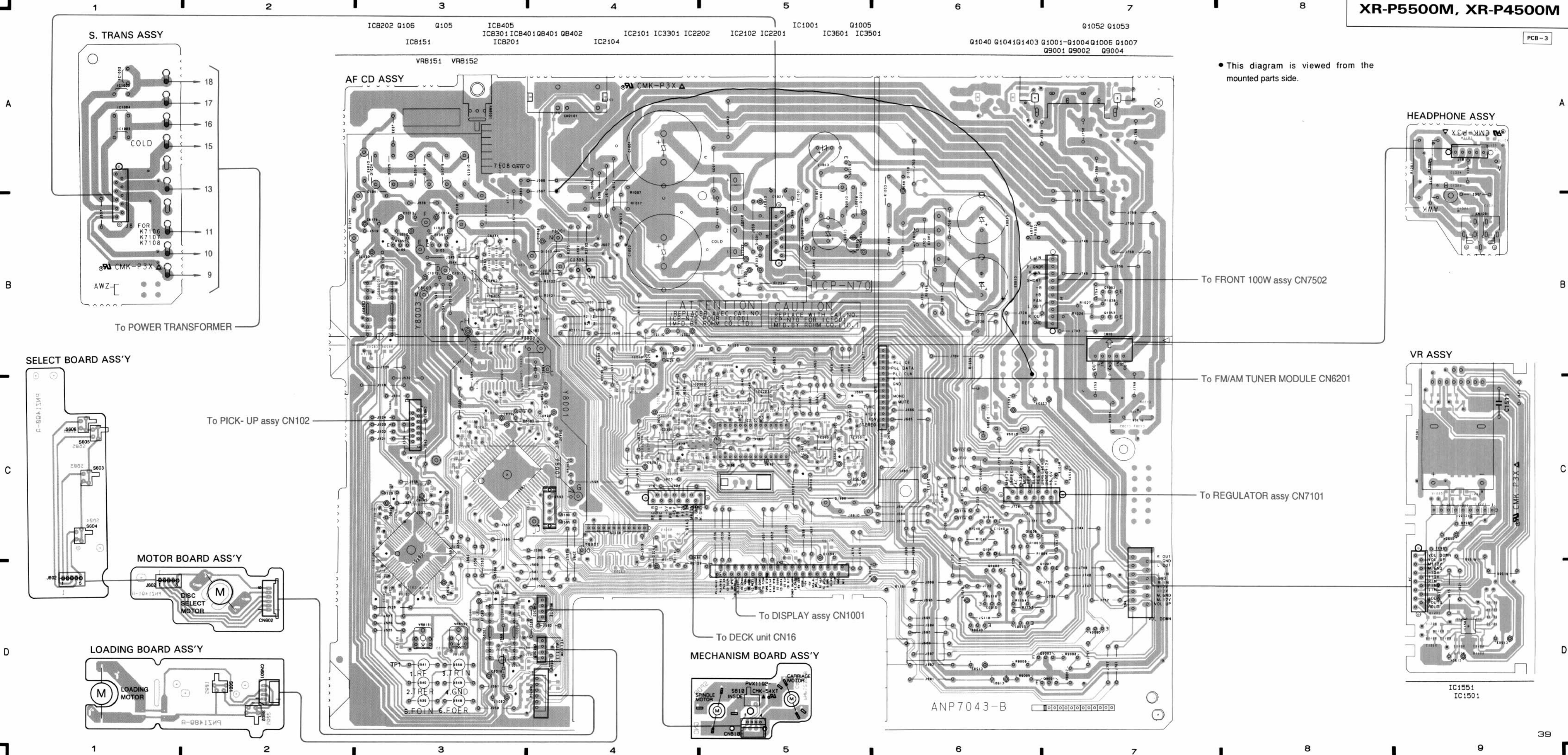


23 : TRACK SEARCH MODE
Upper: TP1-Pin1 (RF) 1V/div
Lower: IC8151-Pin26 (C. OUT) 2V/div 50μsec/div



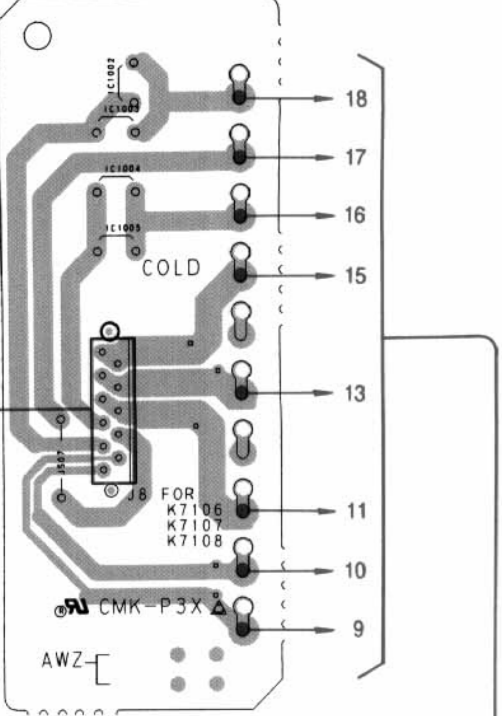
53 IC8301-Pin9: PLAY MODE (PCO)
2V/div 10μsec/div





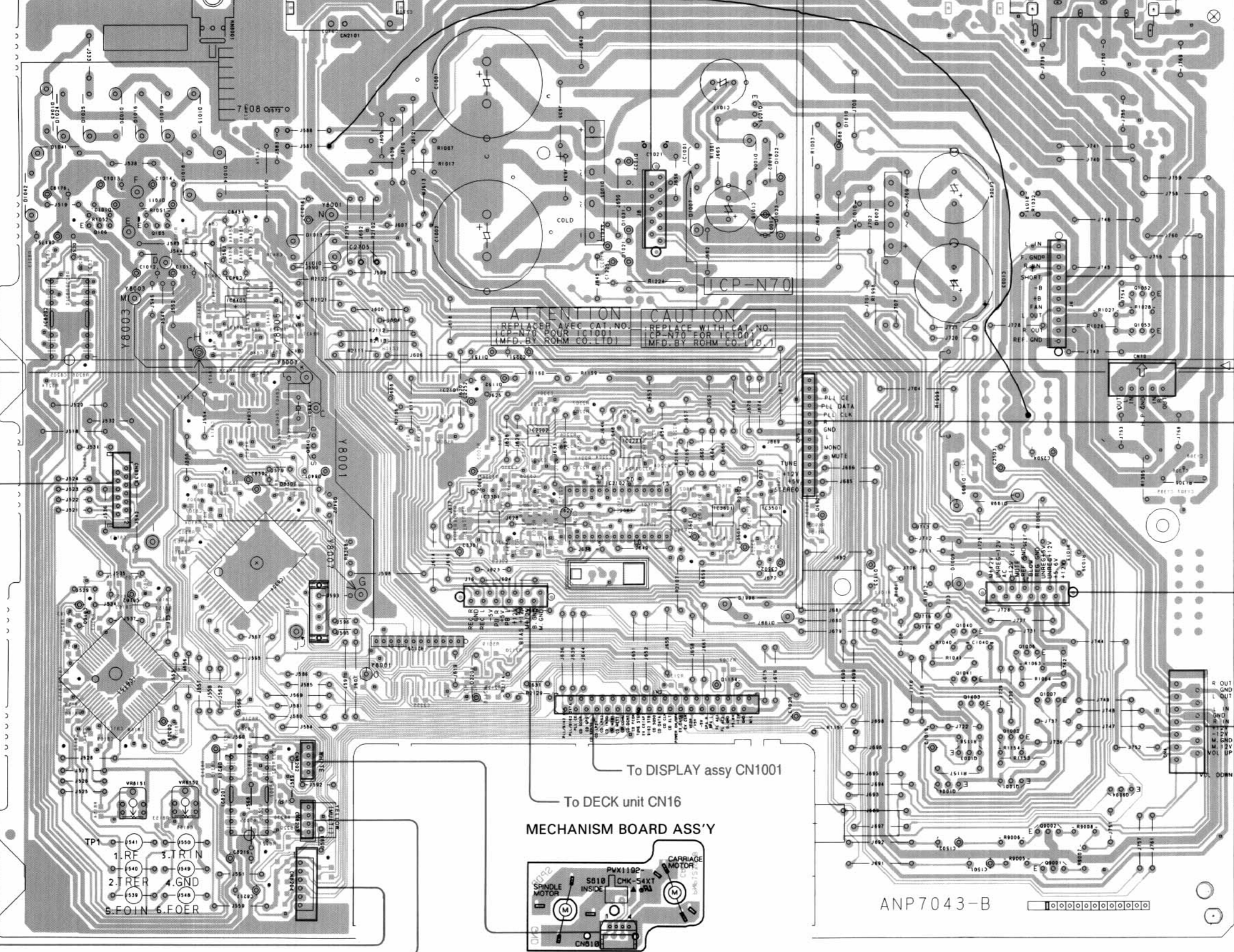
• This diagram is viewed from the mounted parts side.

S. TRANS ASSY

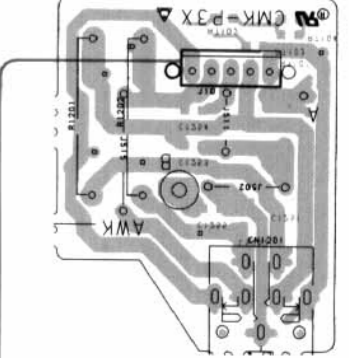


To POWER TRANSFORMER

AF CD ASSY

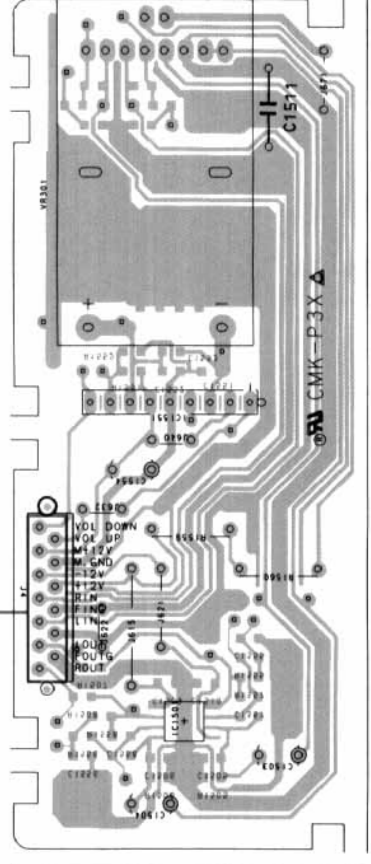


HEADPHONE ASSY



To FRONT 100W assy CN7502

VR ASSY



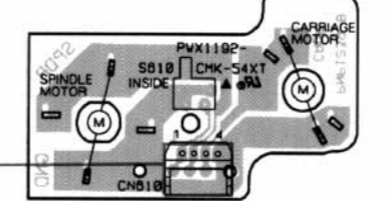
To FM/AM TUNER MODULE CN6201

To REGULATOR assy CN7101

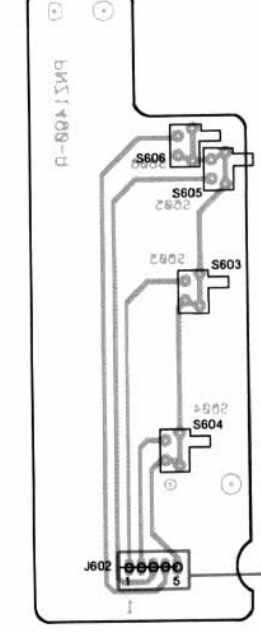
To DISPLAY assy CN1001

To DECK unit CN16

MECHANISM BOARD ASS'Y

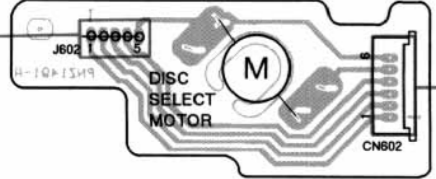


SELECT BOARD ASS'Y

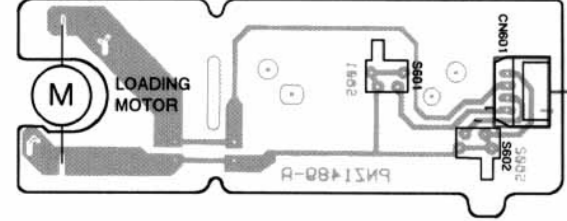


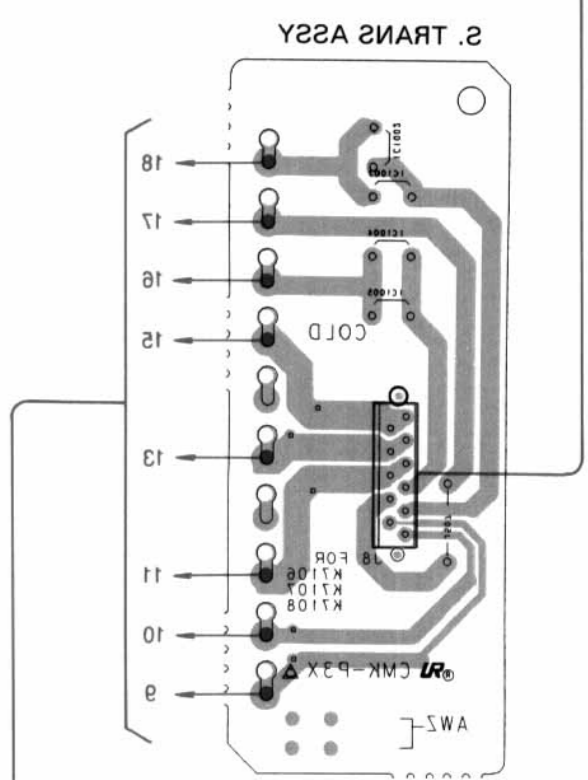
To PICK-UP assy CN102

MOTOR BOARD ASS'Y

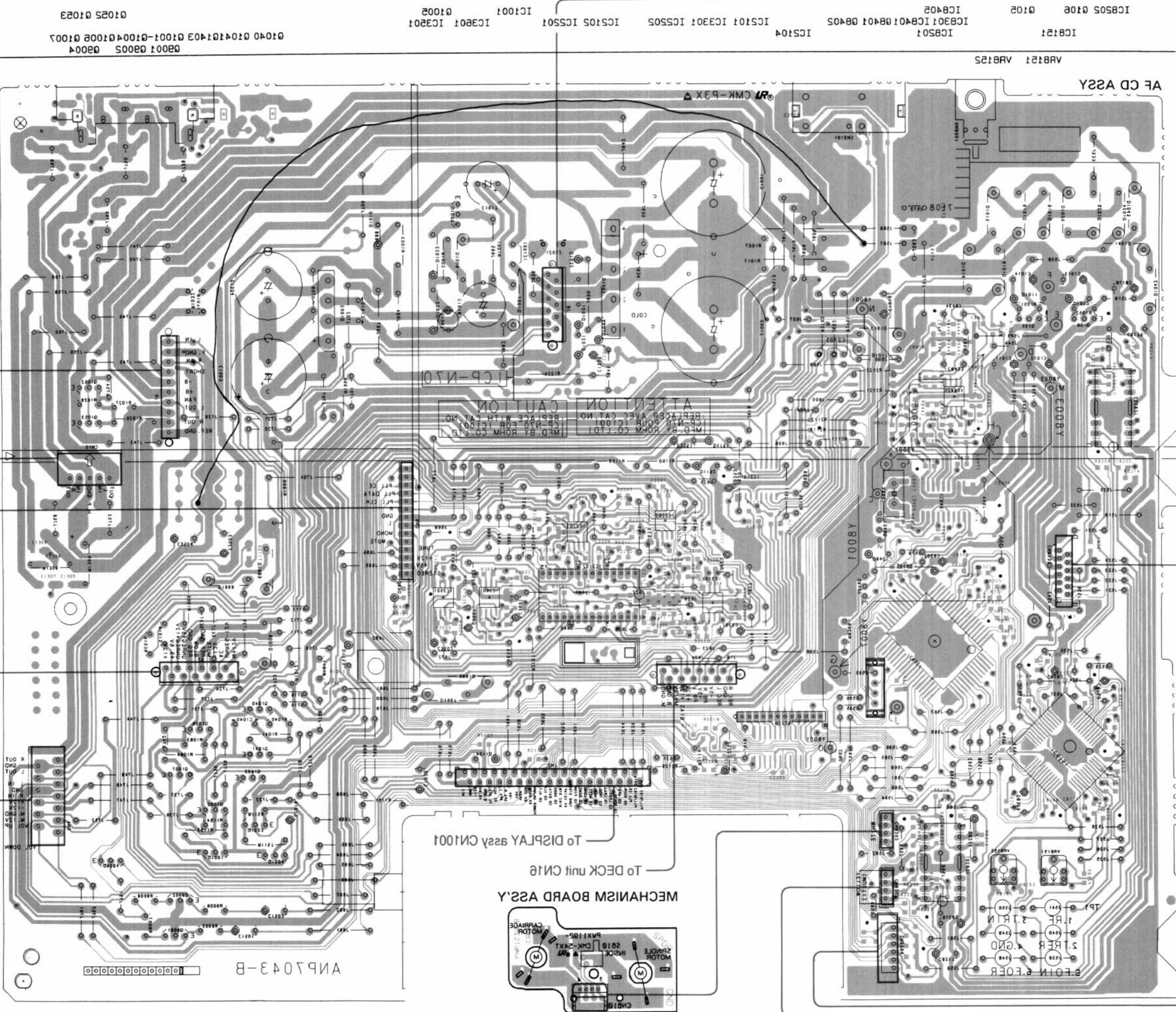
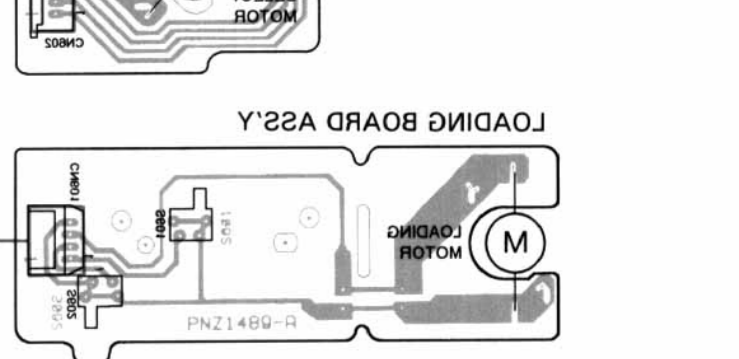
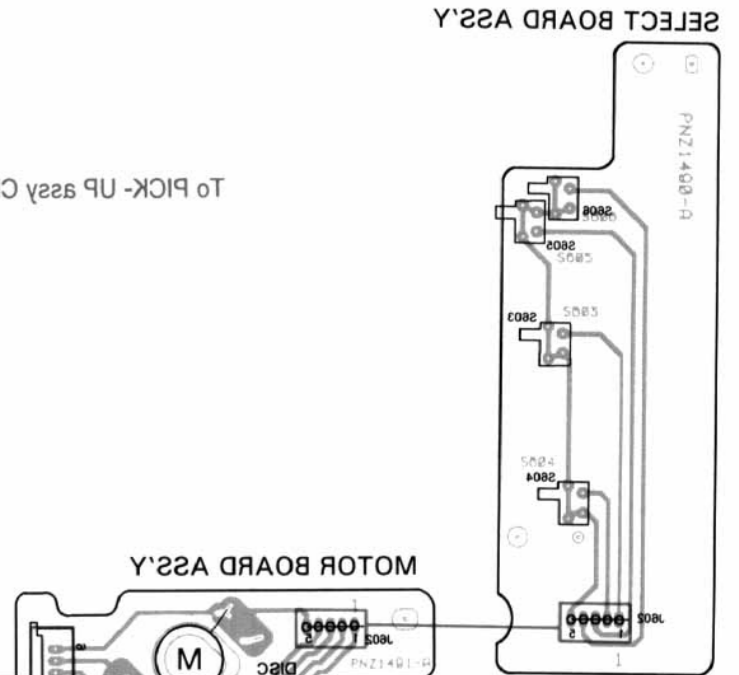


LOADING BOARD ASS'Y





TO POWER TRANSFORMER



● This diagram is viewed from the foil side.

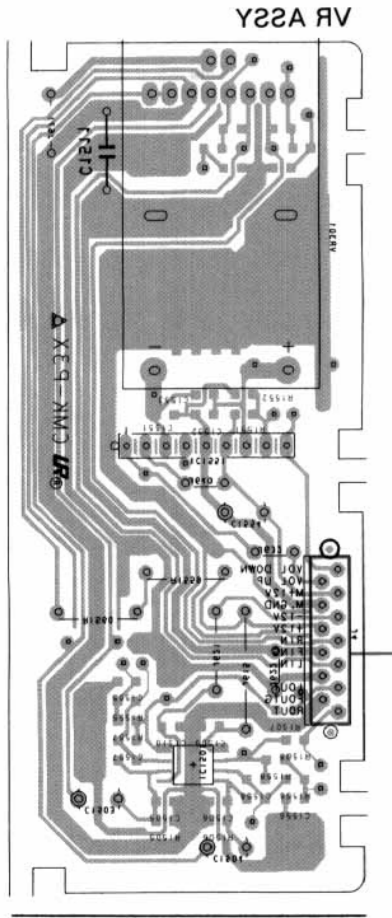
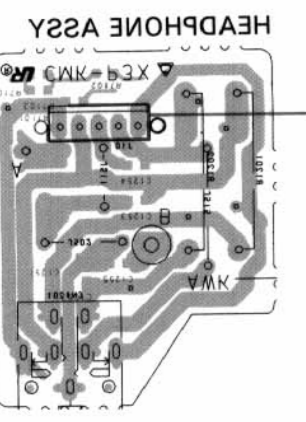
TO FRONT 100W assy CN7505

TO FM/TUNER MODULE CN6201

TO REGULATOR assy CN7101

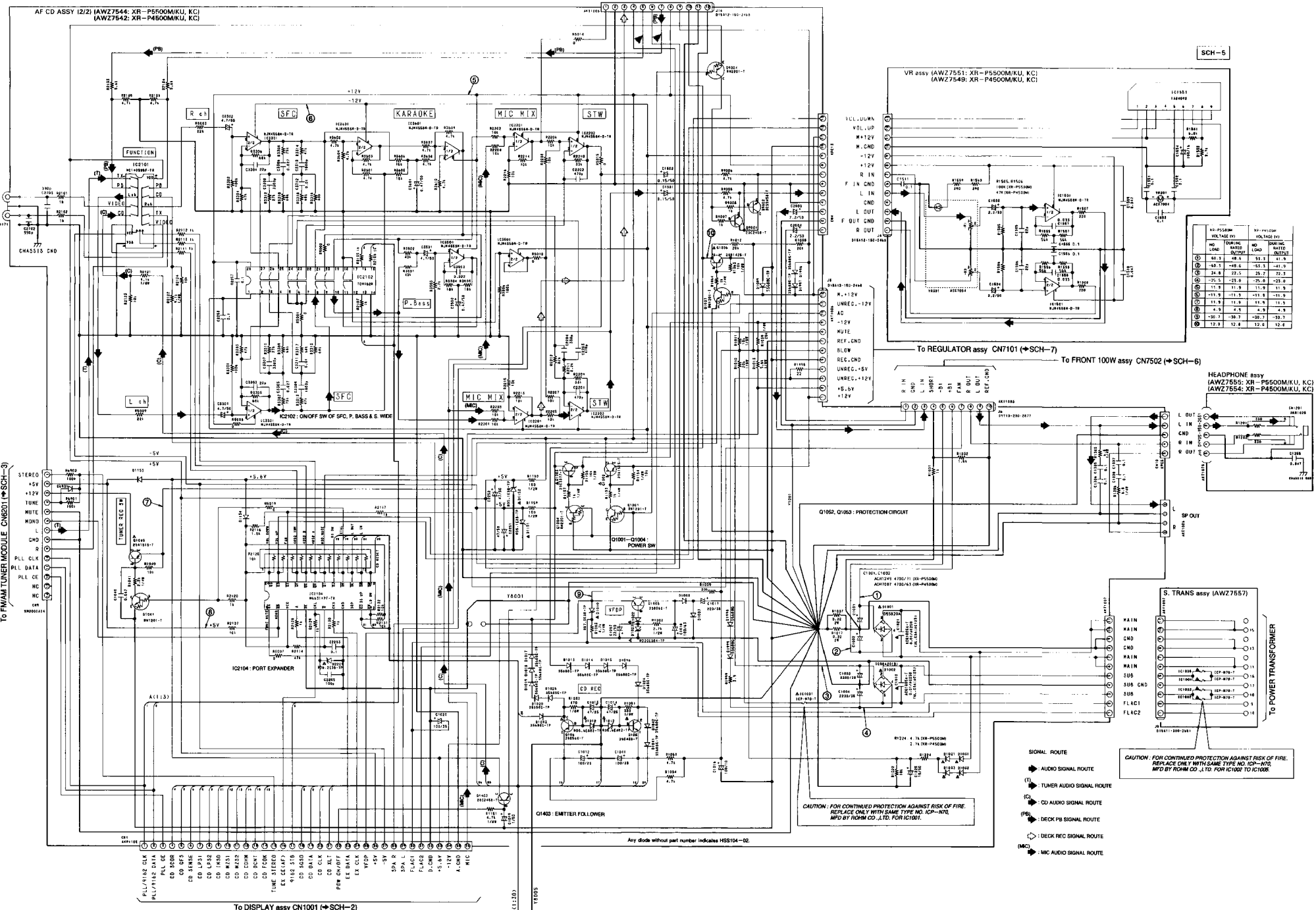
TO DISPLAY assy CN1001

TO DECK unit CN16



To DECK unit CN16 (SCH-8)

SCH-5



SCH-5

AF CD ASSY (2/2), HEADPHONE ASSY, VR ASSY, S. TRANS ASSY

To AF CD assy (1/2) (SCH-4)

AF CD ASSY (2/2), HEADPHONE ASSY, VR ASSY, S. TRANS ASSY

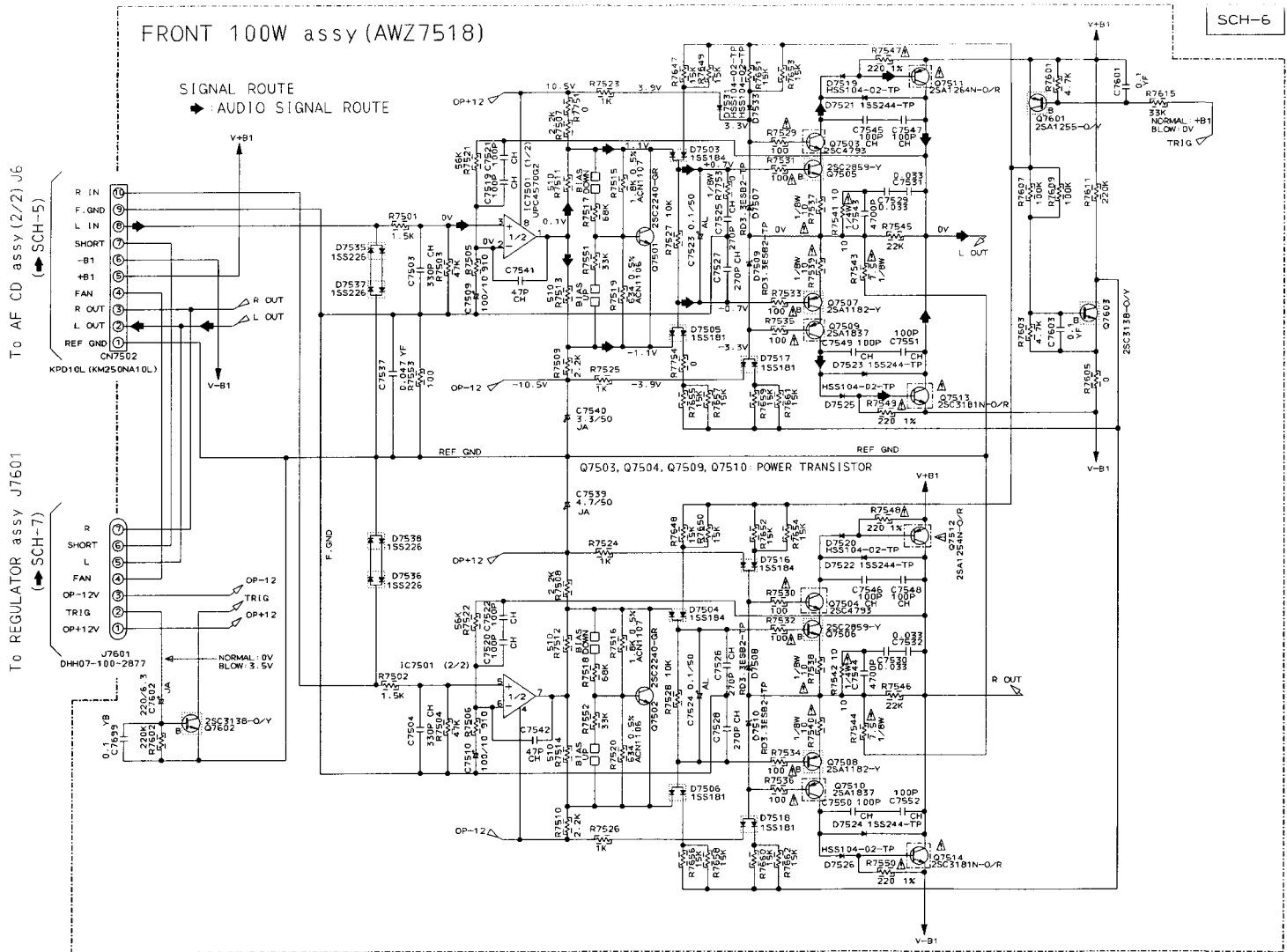
SCH-5

- SIGNAL ROUTE
- AUDIO SIGNAL ROUTE
 - ① TUNER AUDIO SIGNAL ROUTE
 - ② CD AUDIO SIGNAL ROUTE
 - ③ DECK PB SIGNAL ROUTE
 - ④ DECK REC SIGNAL ROUTE
 - ⑤ MIC AUDIO SIGNAL ROUTE

CAUTION: FOR CONTINUED PROTECTION AGAINST RISK OF FIRE, REPLACE ONLY WITH SAME TYPE NO. ICP-N70, MFD BY ROHM CO., LTD. FOR IC102 TO IC108.

CAUTION: FOR CONTINUED PROTECTION AGAINST RISK OF FIRE, REPLACE ONLY WITH SAME TYPE NO. ICP-N70, MFD BY ROHM CO., LTD. FOR IC101.

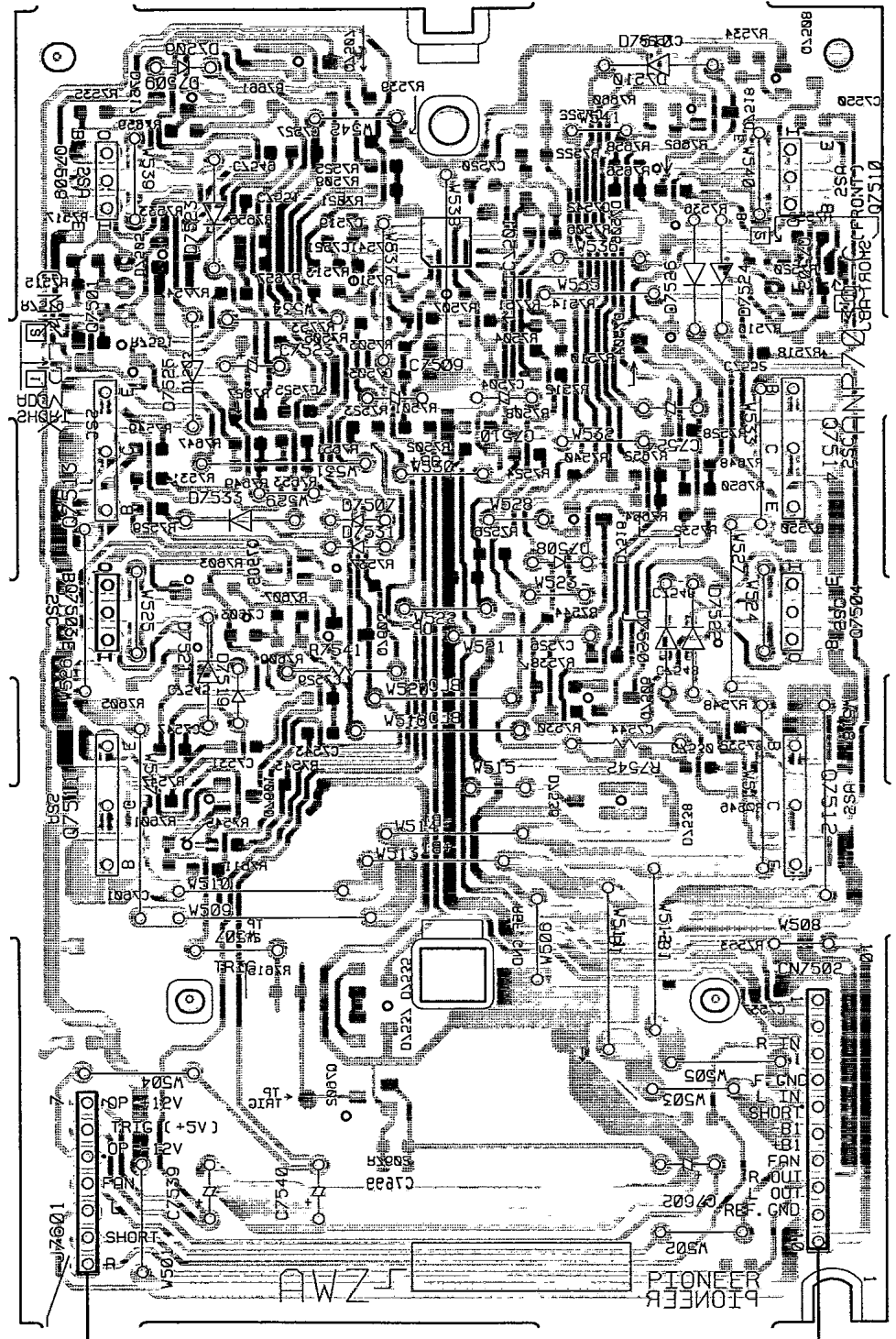
Any diode without part number indicates HES104-02.



FRONT 100W ASSY

A
B
C
D

- Q7508
- Q7507
- Q7509
- IC7501
- Q7501
- Q7513
- Q7505
- Q7503
- Q7603
- Q7504
- Q7506
- Q7601
- Q7511
- Q7512
- Q7602



To REGULATOR assy J7601

To AF CD assy J6

• This diagram is viewed from the mounted parts side.

FRONT 100W ASSY

A

A

B

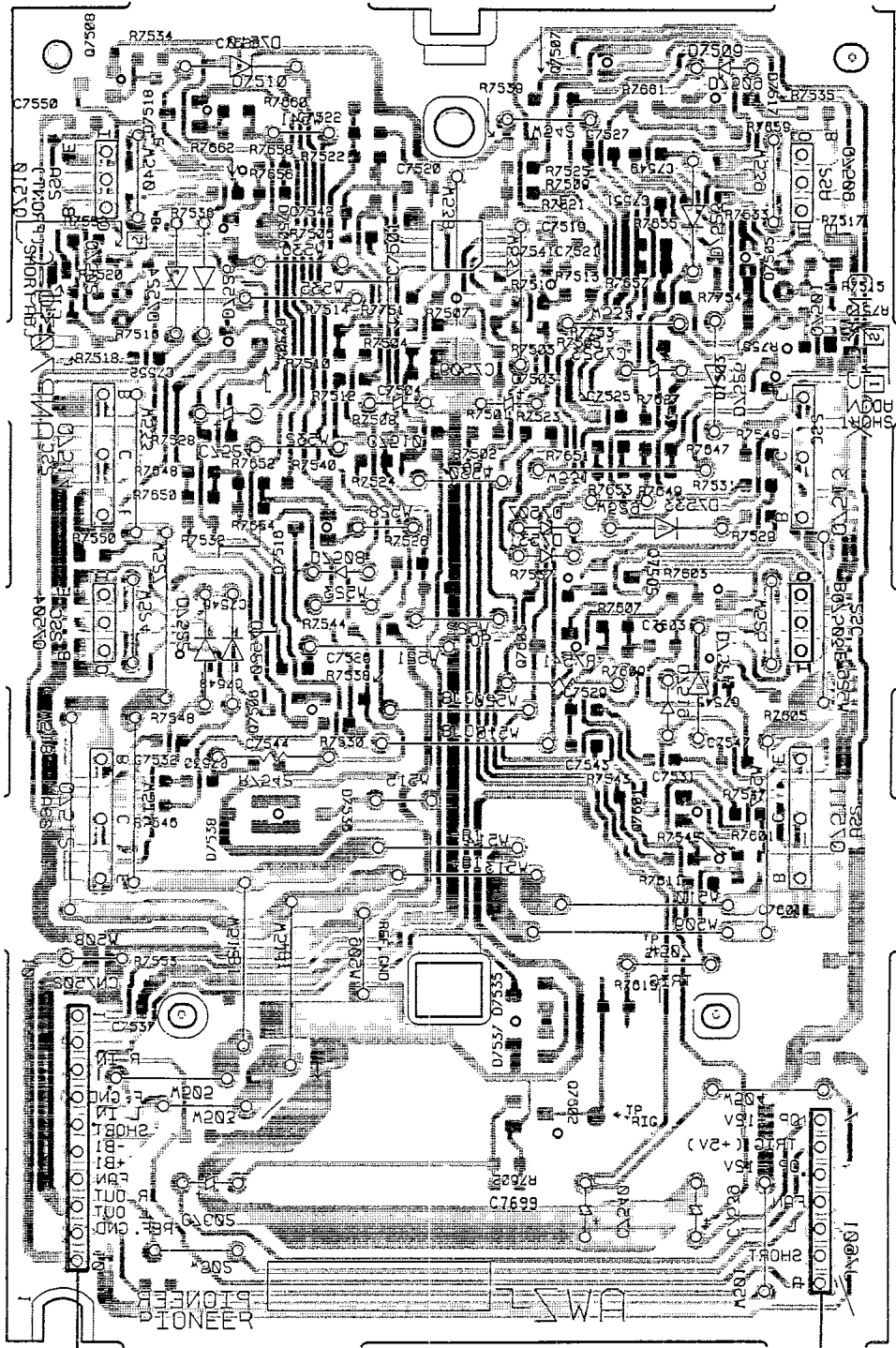
B

C

C

D

D



02508	02507
02508	02510
02501	IC7501
02505	02501
02514	02513
02502	02502
02503	02503
02504	02503
02508	02508
02511	02511
02515	02511
02505	02505

TO REGULATOR Assy 17601

TO AF CD Assy 16

• This diagram is viewed from the foil side.

4.6 REGULATOR ASSY

REGULATOR ASSY

A

A

B

B

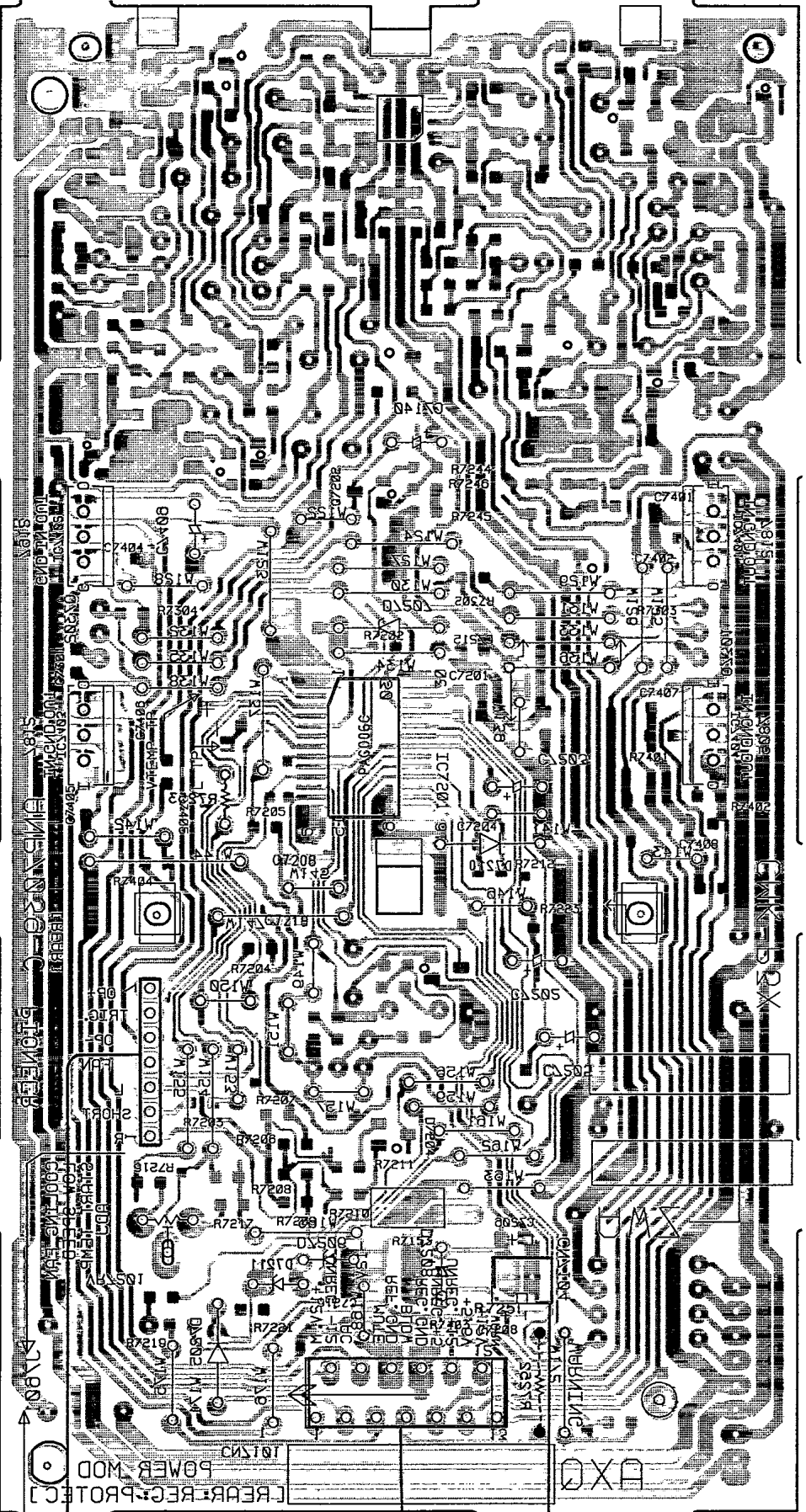
C

C

D

D

IC2501 IC2503
 03305
 03301
 IC2501 IC2505



VR3501

REAR REG. PROTECT
 POWER MOD

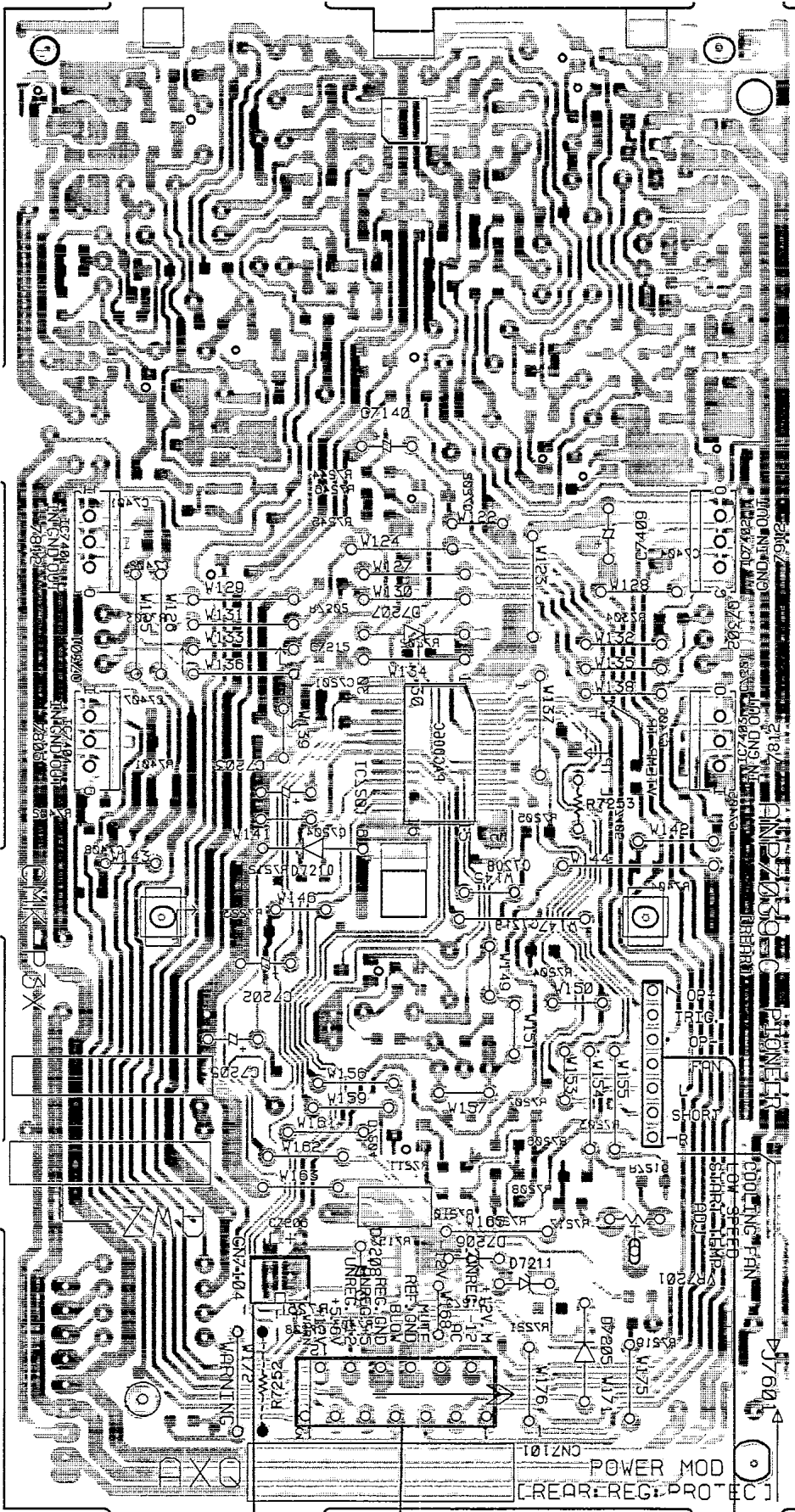
AXO
 TO FAN MOTOR

TO FRONT 10W assy 17601
 TO AF CD assy 16

● This diagram is viewed from the foil side.

4.6 REGULATOR ASSY

REGULATOR ASSY



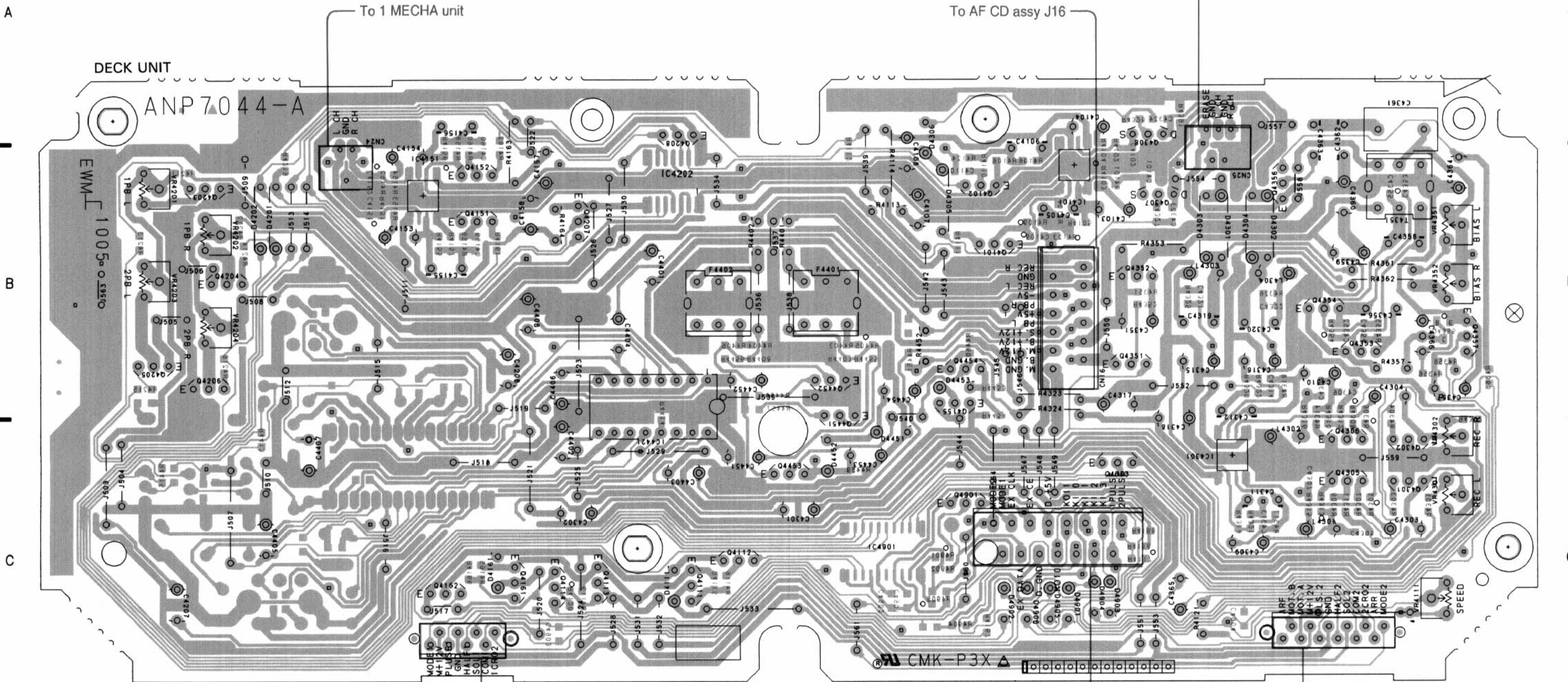
- Q7202
- IC7401 IC7402
- Q7301 Q7302
- IC7404 IC7403 IC7201

VR7201

To AF CD assy J5
 To FRONT 100W assy J7601
 To FAN MOTOR

• This diagram is viewed from the mounted parts side.

• This diagram is viewed from the mounted parts side.



To 2 MECHA unit

To AF CD assy J16

To 1 MECHA unit

DECK UNIT

ANP 7044-A

EWM 10050

VR4201-VR4204

VR4351 VR4352
VR4111 VR4301 VR4302

Q4203 Q4204
Q4205 Q4206

IC4151 Q4152 Q4151 Q4207
Q4162 Q4161 Q4114 Q4113
IC4202 Q4208
IC4421 Q4111 Q4112

Q4451-Q4453

IC4901 Q4155 Q4454
Q4901

Q4102 Q4101 IC4101
Q4352 Q4308 Q4307
Q4351 Q4303 IC4301

Q4356 Q4353-Q4355 Q4357
Q4305 Q4306 Q4301 Q4302

To 1 MECHA unit

To DISPLAY assy J17

To 2 MECHA unit

This diagram is viewed from the foil side.

A

A

B

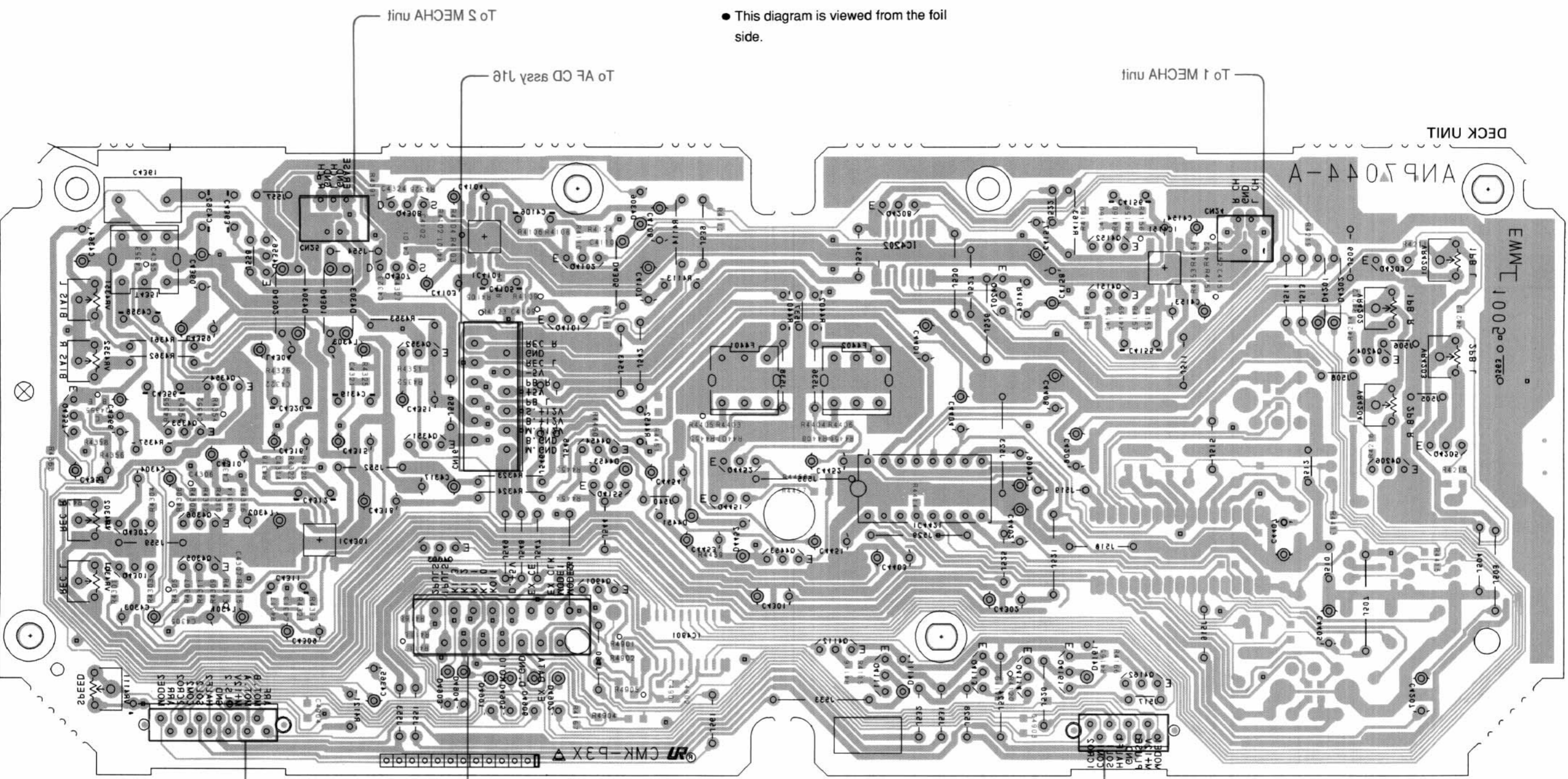
B

C

C

D

D



DECK UNIT

ANP 4-4-A

EMW 100200000

CMK-B3X

04502 04508 AR4501-AR4504
 04505 04509 AR4502-AR4505
 04506 04510 AR4503-AR4506
 04507 04511 AR4504-AR4507
 04508 04512 AR4505-AR4508
 04509 04513 AR4506-AR4509
 04510 04514 AR4507-AR4510
 04511 04515 AR4508-AR4511
 04512 04516 AR4509-AR4512
 04513 04517 AR4510-AR4513
 04514 04518 AR4511-AR4514
 04515 04519 AR4512-AR4515
 04516 04520 AR4513-AR4516
 04517 04521 AR4514-AR4517
 04518 04522 AR4515-AR4518
 04519 04523 AR4516-AR4519
 04520 04524 AR4517-AR4520
 04521 04525 AR4518-AR4521
 04522 04526 AR4519-AR4522
 04523 04527 AR4520-AR4523
 04524 04528 AR4521-AR4524
 04525 04529 AR4522-AR4525
 04526 04530 AR4523-AR4526
 04527 04531 AR4524-AR4527
 04528 04532 AR4525-AR4528
 04529 04533 AR4526-AR4529
 04530 04534 AR4527-AR4530
 04531 04535 AR4528-AR4531
 04532 04536 AR4529-AR4532
 04533 04537 AR4530-AR4533
 04534 04538 AR4531-AR4534
 04535 04539 AR4532-AR4535
 04536 04540 AR4533-AR4536
 04537 04541 AR4534-AR4537
 04538 04542 AR4535-AR4538
 04539 04543 AR4536-AR4539
 04540 04544 AR4537-AR4540
 04541 04545 AR4538-AR4541
 04542 04546 AR4539-AR4542
 04543 04547 AR4540-AR4543
 04544 04548 AR4541-AR4544
 04545 04549 AR4542-AR4545
 04546 04550 AR4543-AR4546
 04547 04551 AR4544-AR4547
 04548 04552 AR4545-AR4550
 04549 04553 AR4546-AR4551
 04550 04554 AR4547-AR4552
 04551 04555 AR4548-AR4553
 04552 04556 AR4549-AR4554
 04553 04557 AR4550-AR4555
 04554 04558 AR4551-AR4556
 04555 04559 AR4552-AR4557
 04556 04560 AR4553-AR4558
 04557 04561 AR4554-AR4559
 04558 04562 AR4555-AR4560
 04559 04563 AR4556-AR4561
 04560 04564 AR4557-AR4562
 04561 04565 AR4558-AR4563
 04562 04566 AR4559-AR4564
 04563 04567 AR4560-AR4565
 04564 04568 AR4561-AR4566
 04565 04569 AR4562-AR4567
 04566 04570 AR4563-AR4568
 04567 04571 AR4564-AR4569
 04568 04572 AR4565-AR4570
 04569 04573 AR4566-AR4571
 04570 04574 AR4567-AR4572
 04571 04575 AR4568-AR4573
 04572 04576 AR4569-AR4574
 04573 04577 AR4570-AR4575
 04574 04578 AR4571-AR4576
 04575 04579 AR4572-AR4577
 04576 04580 AR4573-AR4578
 04577 04581 AR4574-AR4579
 04578 04582 AR4575-AR4580
 04579 04583 AR4576-AR4581
 04580 04584 AR4577-AR4582
 04581 04585 AR4578-AR4583
 04582 04586 AR4579-AR4584
 04583 04587 AR4580-AR4585
 04584 04588 AR4581-AR4586
 04585 04589 AR4582-AR4587
 04586 04590 AR4583-AR4588
 04587 04591 AR4584-AR4589
 04588 04592 AR4585-AR4590
 04589 04593 AR4586-AR4591
 04590 04594 AR4587-AR4592
 04591 04595 AR4588-AR4593
 04592 04596 AR4589-AR4594
 04593 04597 AR4590-AR4595
 04594 04598 AR4591-AR4596
 04595 04599 AR4592-AR4597
 04596 04600 AR4593-AR4598
 04597 04601 AR4594-AR4599
 04598 04602 AR4595-AR4600
 04599 04603 AR4596-AR4601
 04600 04604 AR4597-AR4602
 04601 04605 AR4598-AR4603
 04602 04606 AR4599-AR4604
 04603 04607 AR4600-AR4605
 04604 04608 AR4601-AR4606
 04605 04609 AR4602-AR4607
 04606 04610 AR4603-AR4608
 04607 04611 AR4604-AR4609
 04608 04612 AR4605-AR4610
 04609 04613 AR4606-AR4611
 04610 04614 AR4607-AR4612
 04611 04615 AR4608-AR4613
 04612 04616 AR4609-AR4614
 04613 04617 AR4610-AR4615
 04614 04618 AR4611-AR4616
 04615 04619 AR4612-AR4617
 04616 04620 AR4613-AR4618
 04617 04621 AR4614-AR4619
 04618 04622 AR4615-AR4620
 04619 04623 AR4616-AR4621
 04620 04624 AR4617-AR4622
 04621 04625 AR4618-AR4623
 04622 04626 AR4619-AR4624
 04623 04627 AR4620-AR4625
 04624 04628 AR4621-AR4626
 04625 04629 AR4622-AR4627
 04626 04630 AR4623-AR4628
 04627 04631 AR4624-AR4629
 04628 04632 AR4625-AR4630
 04629 04633 AR4626-AR4631
 04630 04634 AR4627-AR4632
 04631 04635 AR4628-AR4633
 04632 04636 AR4629-AR4634
 04633 04637 AR4630-AR4635
 04634 04638 AR4631-AR4636
 04635 04639 AR4632-AR4637
 04636 04640 AR4633-AR4638
 04637 04641 AR4634-AR4639
 04638 04642 AR4635-AR4640
 04639 04643 AR4636-AR4641
 04640 04644 AR4637-AR4642
 04641 04645 AR4638-AR4643
 04642 04646 AR4639-AR4644
 04643 04647 AR4640-AR4645
 04644 04648 AR4641-AR4646
 04645 04649 AR4642-AR4647
 04646 04650 AR4643-AR4648
 04647 04651 AR4644-AR4649
 04648 04652 AR4645-AR4650
 04649 04653 AR4646-AR4651
 04650 04654 AR4647-AR4652
 04651 04655 AR4648-AR4653
 04652 04656 AR4649-AR4654
 04653 04657 AR4650-AR4655
 04654 04658 AR4651-AR4656
 04655 04659 AR4652-AR4657
 04656 04660 AR4653-AR4658
 04657 04661 AR4654-AR4659
 04658 04662 AR4655-AR4660
 04659 04663 AR4656-AR4661
 04660 04664 AR4657-AR4662
 04661 04665 AR4658-AR4663
 04662 04666 AR4659-AR4664
 04663 04667 AR4660-AR4665
 04664 04668 AR4661-AR4666
 04665 04669 AR4662-AR4667
 04666 04670 AR4663-AR4668
 04667 04671 AR4664-AR4669
 04668 04672 AR4665-AR4670
 04669 04673 AR4666-AR4671
 04670 04674 AR4667-AR4672
 04671 04675 AR4668-AR4673
 04672 04676 AR4669-AR4674
 04673 04677 AR4670-AR4675
 04674 04678 AR4671-AR4676
 04675 04679 AR4672-AR4677
 04676 04680 AR4673-AR4678
 04677 04681 AR4674-AR4679
 04678 04682 AR4675-AR4680
 04679 04683 AR4676-AR4681
 04680 04684 AR4677-AR4682
 04681 04685 AR4678-AR4683
 04682 04686 AR4679-AR4684
 04683 04687 AR4680-AR4685
 04684 04688 AR4681-AR4686
 04685 04689 AR4682-AR4687
 04686 04690 AR4683-AR4688
 04687 04691 AR4684-AR4689
 04688 04692 AR4685-AR4690
 04689 04693 AR4686-AR4691
 04690 04694 AR4687-AR4692
 04691 04695 AR4688-AR4693
 04692 04696 AR4689-AR4694
 04693 04697 AR4690-AR4695
 04694 04698 AR4691-AR4696
 04695 04699 AR4692-AR4697
 04696 04700 AR4693-AR4700
 04697 04701 AR4694-AR4701
 04698 04702 AR4695-AR4702
 04699 04703 AR4696-AR4703
 04700 04704 AR4697-AR4704
 04701 04705 AR4698-AR4705
 04702 04706 AR4699-AR4706
 04703 04707 AR4700-AR4707
 04704 04708 AR4701-AR4708
 04705 04709 AR4702-AR4709
 04706 04710 AR4703-AR4710
 04707 04711 AR4704-AR4711
 04708 04712 AR4705-AR4712
 04709 04713 AR4706-AR4713
 04710 04714 AR4707-AR4714
 04711 04715 AR4708-AR4715
 04712 04716 AR4709-AR4716
 04713 04717 AR4710-AR4717
 04714 04718 AR4711-AR4718
 04715 04719 AR4712-AR4719
 04716 04720 AR4713-AR4720
 04717 04721 AR4714-AR4721
 04718 04722 AR4715-AR4722
 04719 04723 AR4716-AR4723
 04720 04724 AR4717-AR4724
 04721 04725 AR4718-AR4725
 04722 04726 AR4719-AR4726
 04723 04727 AR4720-AR4727
 04724 04728 AR4721-AR4728
 04725 04729 AR4722-AR4729
 04726 04730 AR4723-AR4730
 04727 04731 AR4724-AR4731
 04728 04732 AR4725-AR4732
 04729 04733 AR4726-AR4733
 04730 04734 AR4727-AR4734
 04731 04735 AR4728-AR4735
 04732 04736 AR4729-AR4736
 04733 04737 AR4730-AR4737
 04734 04738 AR4731-AR4738
 04735 04739 AR4732-AR4739
 04736 04740 AR4733-AR4740
 04737 04741 AR4734-AR4741
 04738 04742 AR4735-AR4742
 04739 04743 AR4736-AR4743
 04740 04744 AR4737-AR4744
 04741 04745 AR4738-AR4745
 04742 04746 AR4739-AR4746
 04743 04747 AR4740-AR4747
 04744 04748 AR4741-AR4748
 04745 04749 AR4742-AR4749
 04746 04750 AR4743-AR4750
 04747 04751 AR4744-AR4751
 04748 04752 AR4745-AR4752
 04749 04753 AR4746-AR4753
 04750 04754 AR4747-AR4754
 04751 04755 AR4748-AR4755
 04752 04756 AR4749-AR4756
 04753 04757 AR4750-AR4757
 04754 04758 AR4751-AR4758
 04755 04759 AR4752-AR4759
 04756 04760 AR4753-AR4760
 04757 04761 AR4754-AR4761
 04758 04762 AR4755-AR4762
 04759 04763 AR4756-AR4763
 04760 04764 AR4757-AR4764
 04761 04765 AR4758-AR4765
 04762 04766 AR4759-AR4766
 04763 04767 AR4760-AR4767
 04764 04768 AR4761-AR4768
 04765 04769 AR4762-AR4769
 04766 04770 AR4763-AR4770
 04767 04771 AR4764-AR4771
 04768 04772 AR4765-AR4772
 04769 04773 AR4766-AR4773
 04770 04774 AR4767-AR4774
 04771 04775 AR4768-AR4775
 04772 04776 AR4769-AR4776
 04773 04777 AR4770-AR4777
 04774 04778 AR4771-AR4778
 04775 04779 AR4772-AR4779
 04776 04780 AR4773-AR4780
 04777 04781 AR4774-AR4781
 04778 04782 AR4775-AR4782
 04779 04783 AR4776-AR4783
 04780 04784 AR4777-AR4784
 04781 04785 AR4778-AR4785
 04782 04786 AR4779-AR4786
 04783 04787 AR4780-AR4787
 04784 04788 AR4781-AR4788
 04785 04789 AR4782-AR4789
 04786 04790 AR4783-AR4790
 04787 04791 AR4784-AR4791
 04788 04792 AR4785-AR4792
 04789 04793 AR4786-AR4793
 04790 04794 AR4787-AR4794
 04791 04795 AR4788-AR4795
 04792 04796 AR4789-AR4796
 04793 04797 AR4790-AR4797
 04794 04798 AR4791-AR4798
 04795 04799 AR4792-AR4799
 04796 04800 AR4793-AR4800
 04797 04801 AR4794-AR4801
 04798 04802 AR4795-AR4802
 04799 04803 AR4796-AR4803
 04800 04804 AR4797-AR4804
 04801 04805 AR4798-AR4805
 04802 04806 AR4799-AR4806
 04803 04807 AR4800-AR4807
 04804 04808 AR4801-AR4808
 04805 04809 AR4802-AR4809
 04806 04810 AR4803-AR4810
 04807 04811 AR4804-AR4811
 04808 04812 AR4805-AR4812
 04809 04813 AR4806-AR4813
 04810 04814 AR4807-AR4814
 04811 04815 AR4808-AR4815
 04812 04816 AR4809-AR4816
 04813 04817 AR4810-AR4817
 04814 04818 AR4811-AR4818
 04815 04819 AR4812-AR4819
 04816 04820 AR4813-AR4820
 04817 04821 AR4814-AR4821
 04818 04822 AR4815-AR4822
 04819 04823 AR4816-AR4823
 04820 04824 AR4817-AR4824
 04821 04825 AR4818-AR4825
 04822 04826 AR4819-AR4826
 04823 04827 AR4820-AR4827
 04824 04828 AR4821-AR4828
 04825 04829 AR4822-AR4829
 04826 04830 AR4823-AR4830
 04827 04831 AR4824-AR4831
 04828 04832 AR4825-AR4832
 04829 04833 AR4826-AR4833
 04830 04834 AR4827-AR4834
 04831 04835 AR4828-AR4835
 04832 04836 AR4829-AR4836
 04833 04837 AR4830-AR4837
 04834 04838 AR4831-AR4838
 04835 04839 AR4832-AR4839
 04836 04840 AR4833-AR4840
 04837 04841 AR4834-AR4841
 04838 04842 AR4835-AR4842
 04839 04843 AR4836-AR4843
 04840 04844 AR4837-AR4844
 04841 04845 AR4838-AR4845
 04842 04846 AR4839-AR4846
 04843 04847 AR4840-AR4847
 04844 04848 AR4841-AR4848
 04845 04849 AR4842-AR4849
 04846 04850 AR4843-AR4850
 04847 04851 AR4844-AR4851
 04848 04852 AR4845-AR4852
 04849 04853 AR4846-AR4853
 04850 04854 AR4847-AR4854
 04851 04855 AR4848-AR4855
 04852 04856 AR4849-AR4856
 04853 04857 AR4850-AR4857
 04854 04858 AR4851-AR4858
 04855 04859 AR4852-AR4859
 04856 04860 AR4853-AR4860
 04857 04861 AR4854-AR4861
 04858 04862 AR4855-AR4862
 04859 04863 AR4856-AR4863
 04860 04864 AR4857-AR4864
 04861 04865 AR4858-AR4865
 04862 04866 AR4859-AR4866
 04863 04867 AR4860-AR4867
 04864 04868 AR4861-AR4868
 04865 04869 AR4862-AR4869
 04866 04870 AR4863-AR4870
 04867 04871 AR4864-AR4871
 04868 04872 AR4865-AR4872
 04869 04873 AR4866-AR4873
 04870 04874 AR4867-AR4874
 04871 04875 AR4868-AR4875
 04872 04876 AR4869-AR4876
 04873 04877 AR4870-AR4877
 04874 04878 AR4871-AR4878
 04875 04879 AR4872-AR4879
 04876 04880 AR4873-AR4880
 04877 04881 AR4874-AR4881
 04878 04882 AR4875-AR4882
 04879 04883 AR4876-AR4883
 04880 04884 AR4877-AR4884
 04881 04885 AR4878-AR4885
 04882 04886 AR4879-AR4886
 04883 04887 AR4880-AR4887
 04884 04888 AR4881-AR4888
 04885 04889 AR4882-AR4889
 04886 04890 AR4883-AR4890
 04887 04891 AR4884-AR4891
 04888 04892 AR4885-AR4892
 04889 04893 AR4886-AR4893
 04890 04894 AR4887-AR4894
 04891 04895 AR4888-AR4895
 04892 04896 AR4889-AR4896
 04893 04897 AR4890-AR4897
 04894 04898 AR4891-AR4898
 04895 04899 AR4892-AR4899
 04896 04900 AR4893-AR4900
 04897 04901 AR4894-AR4901
 04898 0490

5. PCB PARTS LIST

NOTES :

- Parts marked by "NSP" are generally unavailable because they are not in our Master Spare Parts List.
- The Δ mark found on some component parts indicates the importance of the safety factor of the part. Therefore, when replacing, be sure to use parts of identical designation.
- Parts marked by "☉" are not always kept in stock. Their delivery time may be longer than usual or they may be unavailable.
- When ordering resistors, first convert resistance values into code form as shown in the following examples.

Ex. 1 When there are 2 effective digits (any digit apart from 0), such as 560 ohm and 47k ohm (tolerance is shown by J = 5%, and K = 10%).

560 Ω \rightarrow 56 \times 10¹ \rightarrow 561 RD1/8PM $\begin{bmatrix} 5 & 6 & 1 \\ J \end{bmatrix}$
 47k Ω \rightarrow 47 \times 10³ \rightarrow 473 RD1/4PS $\begin{bmatrix} 4 & 7 & 3 \\ J \end{bmatrix}$
 0.5 Ω \rightarrow 0R5 RN2H $\begin{bmatrix} 0 & R & 5 \\ K \end{bmatrix}$
 1 Ω \rightarrow 010 RS1P $\begin{bmatrix} 0 & 1 & 0 \\ K \end{bmatrix}$

Ex. 2 When there are 3 effective digits (such as in high precision metal film resistors).

5.62k Ω \rightarrow 562 \times 10¹ \rightarrow 5621 RM1/4PC $\begin{bmatrix} 5 & 6 & 2 \\ 1 & F \end{bmatrix}$

Mark	No.	Description	Parts No.	Mark	No.	Description	Parts No.
LIST OF ASSEMBLIES				CAPACITORS			
		FM/AM TUNER MODULE	AXQ1012		T6101		ATE-063
		AF ASS'Y	AWK7018		L6207		ATE1013
		— AF CD ASSY	AWZ7544		F6203, F6204		ATF-119
		— VR ASSY	AWZ7551		F6101		ATF-155
NSP		— HEADPHONE ASSY	AWZ7555		F6202 (450KHZ)		ATF1155
NSP		— S. TRANS ASSY	AWZ7557		L6103 (2.2 μ H)		ATH1043
					L6202, L6203, L6208		LCTA2R2J3225
NSP		COMPLEX ASS'Y	AWM7147				
		— DISPLAY ASSY	AWZ7525				
		— PRIMARY ASSY	AWZ7535				
		— SW ASSY	AWZ7537				
		— MIC ASSY	AWZ7539				
		POWER AMP MODULE	AXQ7017				
		— FRONT 100W ASSY	AWZ7518				
		— REGULATOR ASSY	AWZ7520				
		CASSETTE MOD. B	EXK2435				
		— DECK UNIT	EWM1005				
		MULTI MECHA ASSY	AXA7006				
NSP		— LOADING BOARD ASS'Y	AWZ7207				
NSP		— MOTOR BOARD ASS'Y	AWZ7208				
NSP		— SELECT BOARD ASS'Y	AWZ7209				
NSP		— MECHANISM BOARD ASS'Y	PWX1192				
					C6202, C6234, C6236 (1 μ F/16V)		ACG1051
					C6107		CCSCH010C50
					C6229		CCSCH821J50
					C6110		CCSQCH020C50
					C6101		CCSQCH050C50
					C6108, C6203, C6268		CCSQCH101J50
					C6111, C6116, C6208, C6221, C6222		CCSQCH150J50
					C6115		CCSQCH330J50
					C6114		CCSQRH080D50
					C6113		CCSQRH180J50
					C6105		CCSQTH150J50
					C6261		CEAS010M50
					C6224, C6246, C6262		CEAS100M50
					C6216, C6217		CEAS330M16
					C6231, C6233		CEAS3R3M50
					C6219		CEAS470M10
					C6243-C6245		CEAS470M16
					C6227		CEAS470M25
					C6238		CEJA100M16
					C6249, C6250		CEJA4R7M35
					C6215		CFTXA103J50
					C6214		CFTXA224J50
					C6103, C6106, C6112, C6204		CKSQYB102K50
					C6102, C6109, C6117, C6210, C6264		CKSQYB103K50
					C6213		CKSQYB223K50
					C6230		CKSQYB333K50
					C6228, C6252		CKSQYB472K50
					C6209, C6237, C6265, C6267		CKSQYB473K50
					C6212, C6218		CKSQYF103Z50
					C6220, C6226, C6239, C6242, C6255		CKSQYF223Z50
					C6235		CKSQYF224Z25
					C6225, C6241, C6266		CKSQYF473Z50
					C6232		CKSYB333K50
					C6251		CKSYB472K50
					C6223		CKSYF103Z50
					C6263		CKSYF473Z50
FM/AM TUNER MODULE							
SEMICONDUCTORS							
	IC6201		LA1836M				
	IC6202		LM7001J				
	Q6102		2SC2223				
	Q6203		2SC2235				
	Q6202		2SC2712				
	Q6103, Q6214		2SC2714				
	Q6201		2SK208				
	Q6104		2SK302				
	Q6101		3SK194				
	Q6204		XDA124EK				
	Q6217		XDC124EK				
	D6101, D6102		1T33				
COILS AND FILTERS							
	L6104		ATC1003				
	L6101		ATC1020				
	L6102		ATC1021				

Mark	No.	Description	Parts No.
	R2114		RD1/8PM473J
	R1013		RD1/8PM562J
	R2121, R2122		RD1/8PM912J
	R1998		RS1LMF220J
	R1224		RS1LMF472J
	R1007, R1017		RS2LMFR22J
	R1999		RS3LMF3R9J
	Other Resistors		RS1/10S□□□□

OTHERS

CN8131	CONNECTOR	12FMZ-ABT
CN8203	CONNECTOR 4P	4-173981-4
CN8204	6P JUMPER CONNECTOR	52147-0610
CN2101	PIN JACK (2P)	AKB1171
	SPEAKER TERMINAL 4-P	AKE1026
CN1	36P SOCKET	AKP1105
CN10	CONNECTOR (5P)	KPC5
CN4	CONNECTOR (13P)	KPE13
X8401	XTAL RES (OSC) (16.9344MHz)	PSS1008
	PCB BINDER	VEF1008
CN8202	CONNECTER	VKN1051
KN8001	EARTH METAL FITTING	VNF1084

VR ASSY

SEMICONDUCTORS

IC1501		NJM4558M-D
IC1551		TA8409S

CAPACITORS

C1505, C1506		CCSLSL220J50
C1554		CEAS101M25
C1503, C1504		CEYA2R2M50
C1557, C1558		CKSQYB333K50
C1509, C1510		CKSQYB473K50
C1551-C1553, C1555, C1556		CKSQYF104Z50
C1511		CKPUYF104Z50

RESISTORS

VR301 (100K-B3×2)		ACX7004
R1559, R1560		RD1/8PM391J
Other Resistors		RS1/10S□□□□

HEADPHONE ASSY

CAPACITORS

C1255		CKSQYF473Z50
-------	--	--------------

RESISTORS

R1201, R1202		RS3LMF331J
--------------	--	------------

OTHERS

CN1201 JACK		AKN1028
-------------	--	---------

S.TRANS ASSY

SEMICONDUCTORS

IC1002-IC1005		ICP-N70
---------------	--	---------

DISPLAY ASSY

SEMICONDUCTORS

IC1951		M66311FP
IC3701-IC3703		NJM4558M-D
IC1901		PD4583A
Q1901		2SC2458
Q1902		RN1201

Mark	No.	Description	Parts No.
	Q1707		RN2201
	D1801-D1815, D1901, D1903		HSS104-02
	D1905, D1906, D3701-D3705		HSS104-02
	D1951, D1953		HZS6CL
	D1904		HZS7AL
	D1705		BR3371XJ30A

COILS AND FILTERS

L1901		LAU220J
-------	--	---------

SWITCHES AND RELAYS

S1801-S1815		ASG1051
-------------	--	---------

CAPACITORS

C1903 (0.047/5.6V)		ACH1246
C1952		CCSQCH101J50
C1907		CEAS010M50
C1910		CEAS100M50
C1905		CEJA221M6
C1902		CEJA470M16
C1908		CFTYA224J50
C1915, C1916		CKSQYB102K50
C1954		CKSQYB103K50
C3710, C3711		CKSQYB152K50
C3704, C3705		CKSQYB153K50
C1970, C3713, C3714		CKSQYB471K50
C3707, C3708		CKSQYB472K50
C3701, C3702		CKSQYB473K50
C1909		CKSQYF102Z50
C1955		CKSQYF103Z50
C1901, C1904, C1906, C1911, C1912		CKSQYF473Z50
C3703, C3706, C3709, C3712, C3715		CKSQYF473Z50

RESISTORS

R1955, R1956		RA15T473J
R1803, R1804		RD1/8PM223J
Other Resistors		RS1/10S□□□□

OTHERS

V1701 FL TUBE		AAV7002
CN1001 36P SOCKET		AKP1109
X1901 CERAMIC RESONATOR (4.19MHz)		ASS1018
X1902 REMOTE RECEIVER UNIT		GP1U27X

PRIMARY ASSY

COILS AND FILTERS

L1101		ATF1136
-------	--	---------

CAPACITORS

C1101 (0.01/400V)		ACG1002
-------------------	--	---------

RESISTORS

R1101 (2.2M, 1/2W)		ACN-208
--------------------	--	---------

SW ASSY

SEMICONDUCTORS

Q1701-Q1706		2SA1048
D1708		BR3371XJ30A
D1706, D1707, D1709-D1714		MPG3362X195A

SWITCHES AND RELAYS

S1816-S1835		ASG1051
-------------	--	---------

Mark	No.	Description	Parts No.
RESISTORS			
	R1703		RD1/8PM201J
	R1704		RD1/8PM241J
	Other Resistors		RS1/10S□□□J
MIC ASSY			
SEMICONDUCTORS			
	IC2501		NJM4558M-D
CAPACITORS			
	C2504		CCSLSL221J50
	C2503, C2505		CEAS100M50
	C2501		CKSQYB122K50
	C2507		CKSQYB473K50
	C2506		CKSQYB682K50
	C2508, C2509		CKSQYF473Z50
RESISTORS			
	VR2501 (10K-B)		ACS1028
	Other Resistors		RS1/10S□□□J
OTHERS			
	CN2501 JACK		AKN-207
FRONT 100W ASSY			
SEMICONDUCTORS			
	IC7501		UPC4570G2 (5)
	Q7507, Q7508		2SA1182
	Q7601		2SA1255
	Q7501, Q7502		2SC2240
	Q7505, Q7506		2SC2859
	Q7602, Q7603		2SC3138
	D7505, D7506, D7517, D7518		1SS181
	D7503, D7504, D7516		1SS184
	D7535-D7538		1SS226
	D7521-D7524		1SS244
	D7519, D7520, D7525, D7526, D7531		HSS104-02
	D7533		HSS104-02
	D7507-D7510		RD3.3ESB2
CAPACITORS			
	C7523, C7524		CEALR10M50
	C7519-C7522, C7545-C7552		CCSQCH101J50
	C7525-C7528		CCSQCH271J50
	C7503, C7504		CCSQCH331J50
	C7541, C7542		CCSQCH470J50
	C7509, C7510		CEAS101M10
	C7602		CEJA221M6R3
	C7540		CEJA3R3M50
	C7539		CEJA4R7M50
	C7529-C7532		CKSQYB333K50
	C7699		CKSQYB104K25
	C7543, C7544		CKSQYB472K50
	C7601, C7603		CKSQYF104Z50
	C7537		CKSQYF473Z50
RESISTORS			
	R7519, R7520 (634)		ACN1106
	R7515, R7516 (1.8k)		ACN1107
△	R7541, R7542		RD1/4PMF100J
△	R7547-R7550		RS1/10S2200F
	R7753		RS1/8S000J
△	R7537-R7540		RS1/8S100J
	R7553		RS1 8S101J
△	R7543, R7544		RS1/8S7R5J
	Other Resistors		RS1/10S□□□J

Mark	No.	Description	Parts No.
REGULATOR ASSY			
SEMICONDUCTORS			
	IC7201		PAC006C
	Q7301, Q7302		2SC1815
	Q7202		2SC2712
	D7204		1SS184
	D7205, D7208		HSS104-02
	D7210		RB441Q-40
	D7207		RD5.6ESB2
	D7206, D7211		RD4.7ESB
CAPACITORS			
	C7402, C7406, C7408 (0.082μF/25V)		ACG1050
	C7204 (1μF/16V)		ACG1051
	C7401, C7405, C7407 (0.33μF/50V)		ACG1053
	C7409 (10μF/35V)		ACH1150
	C7140		CEAS010M50
	C7205		CEJA101M10
	C7202		CEANL4R7M50
	C7203		CEJAR33M50
	C7201, C7208, C7219		CKSQYB103K50
	C7301		CKSQYB332K50
	C7206, C7215, C7216, C7404		CKSQYF104Z50
RESISTORS			
	VR7201 (22K)		RCP1103
△	R7403-R7405 (1Ω)		ACN1104
	R7252		RD1/6PM102J
	R7253		RD1 6PM103J
	R7303		RS1/10S1002F
	R7304		RS1/10S8200F
	Other Resistors		RS1/10S□□□J
OTHERS			
	CN7101 12P JUMPER CONNECTOR		KPE12
DECK UNIT			
SEMICONDUCTORS			
	IC4421		CXA1100P
	IC4901		M66320FP
	IC4202		MC14066BF
	IC4101, IC4151, IC4301		NJM4558M-D
	Q4111, Q4113, Q4161, Q4352		2SA1515
	Q4356		2SC2240
	Q4101, Q4102, Q4151, Q4152, Q4203-Q4206, Q4301, Q4302, Q4305, Q4306, Q4451-Q4454		2SC2458
	Q4355		2SC2712
	Q4353, Q4354		2SC3377
	Q4307, Q4308		2SK373
	Q4303, Q4901		XDA124ES
	Q4208		XDA143ES
	Q4112, Q4114, Q4155, Q4162, Q4357		XDC124ES
	Q4207, Q4351		XDC143ES
	D4111, D4161, D4201, D4202, D4301-D4306, D4451-D4453, D4901-D4906		HSS104-02
COILS AND FILTERS			
	F4401, F4402		ATF1064
	T4351		ATX-043
	L4301, L4302		LTA392J
	L4303, L4304		LTA822J

Mark	No.	Description	Parts No.
CAPACITORS			
	C4361 (2000P/630V)		ACE1020
	C4319, C4320		CCDSL271K500
	C4323, C4324		CCSQCH100D50
	C4902		CCSQCH101J50
	C4353		CCSQCH221J50
	C4109, C4110, C4159, C4160		CCSQCH471J50
	C4151, C4152		CCSQCH561J50
	C4101, C4102, C4321, C4322, C4355		CCSQCH681J50
	C4303, C4304, C4451, C4452		CEAS010M50
	C4359, C4360, C4364, C4403-C4405, C4407, C4454		CEAS100M50
	C4401, C4408		CEAS101M25
	C4365, C4366, C4453		CEAS220M50
	C4301, C4302, C4315, C4316		CEAS2R2M50
	C4103, C4104, C4153, C4154, C4309, C4310, C4317, C4318		CEAS330M25
	C4357		CEAS3R3M50
	C4107, C4108, C4157, C4158		CEAS470M25
	C4351		CEAS470M25
	C4207, C4208		CEAS4R7M50
	C4402, C4406		CEASR22M50
	C4363		CKCYB222K500
	C4352, C4354, C4903, C4904		CKSQYB103K50
	C4313, C4314		CKSQYB152K50
	C4307, C4308		CKSQYB273K50
	C4305, C4306		CKSQYB333K50
	C4901		CKSQYF473Z50
	C4358		CQMA123K250
	C4356		CQMA153J50
	C4362		CQMA562K400
	C4105, C4106		CQMA682J50
	C4155, C4156		CQMA682J50
	C4311, C4312		CQMA823J50

Mark	No.	Description	Parts No.
RESISTORS			
	VR4111		VRTP6HS682
	VR4201-VR4204		VRTP6HS203
	VR4351, VR4352		VRTP6HS204
	VR4301, VR4302		VRTP6HS502
	R4353		RD1/2PM680J
	R4121		RD1/8PM163J
	R4401, R4402		RD1/8PM242J
	R4361, R4362		RD1/8PM333J
	R4357		RD1/8PM6R8J
	R4113, R4114, R4163, R4164, R4323, R4324		RD1/8PM820J
	R4452		RD1/8PM103J
	Other Resistors		RS1/10S□□□□

Mark	No.	Description	Parts No.
OTHERS			
	CN24 3P SOCKET		EKS1018
	CN25 5P SOCKET		EKS1019
	CN16 12P JUMPER CONNECTOR		KPE12
	CN3002 15P JUMPER CONNECTOR		KPE15

Mark	No.	Description	Parts No.
LOADING BOARD ASSY			
SWITCHES AND RELAYS			
	S601, S602		DSG1016

Mark	No.	Description	Parts No.
OTHERS			
	CN601 CONNECTOR 4P		4-173979-4

Mark	No.	Description	Parts No.
MOTOR BOARD ASSY			
OTHERS			
	CN602 6PJUMPER CONNECTOR		52151-0610
SELECT BOARD ASSY			
SWITCHES AND RELAYS			
	S604-S606		DSG1016
	S603		PSG1010
MECHANISM BOARD ASSY			
SWITCHES			
	S610		DSG1016
OTHERS			
	CN610 MT CONNECTOR 4P		173979-4

6. ADJUSTMENTS

6.1 TUNER SECTION

FM Tuner Section

- Set the mode selector to FM BAND.
- Connect the wiring as shown in Fig. 1-1.

Step No.	Adjustment Title	FM SG (1kHz, ± 75 kHz dev.)		Reception Frequency Display	Adjustment Location	Specifications
		Frequency (MHz)	Level (dB μ V)			
1	Center Adjustment	98 Non modulation	80 or more	—	L6207	Adjust so that the DC voltage between Pin 4 and Pin 28 of IC6201 becomes $0V \pm 50mV$.
2	Front End Sensitivity	98	10-30	98MHz	L6102 T6101	Adjust so that the DC voltage of the Pin12 of IC6201 (S-meter) becomes at maximum level.
3	TUNED IND. Lighting Level	98	15 ± 2	98MHz	VR6201	Adjust so that the indicators of TUNED IND. start to light up.

Notes:

- Before adjusting, make sure there is no gap between L6101 and L6102. If there is a gap between them, bring them into contact with each other first, and then make adjustments.
- Make indicator adjustments in order of AM \rightarrow FM.

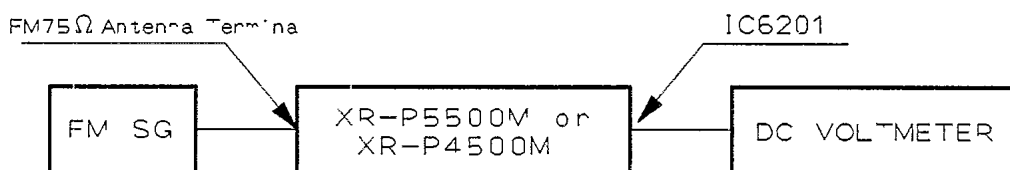


Fig. 1-1 FM Adjustment Connection Diagram

AM Tuner Section

- Set the mode selector to AM BAND.
- Connect the wiring as shown in Fig. 1-2.

Step No.	Adjustment Title	AM SG (400Hz, 30% Mod.)		Reception Frequency Display	Adjustment Location	Specifications
		Frequency (kHz)	Level (dB μ V/m)			
1	TUNED IND. Lighting Level	999	47 ± 2	999kHz	VR6202	Adjust so that the indicators of TUNED IND. start to light up.

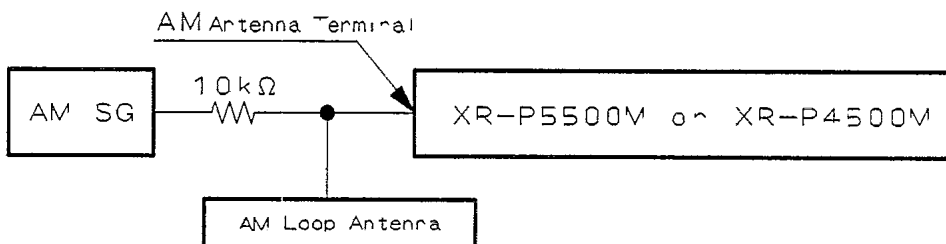


Fig. 1-2 AM Adjustment Connection Diagram

FM/AM TUNER MODULE

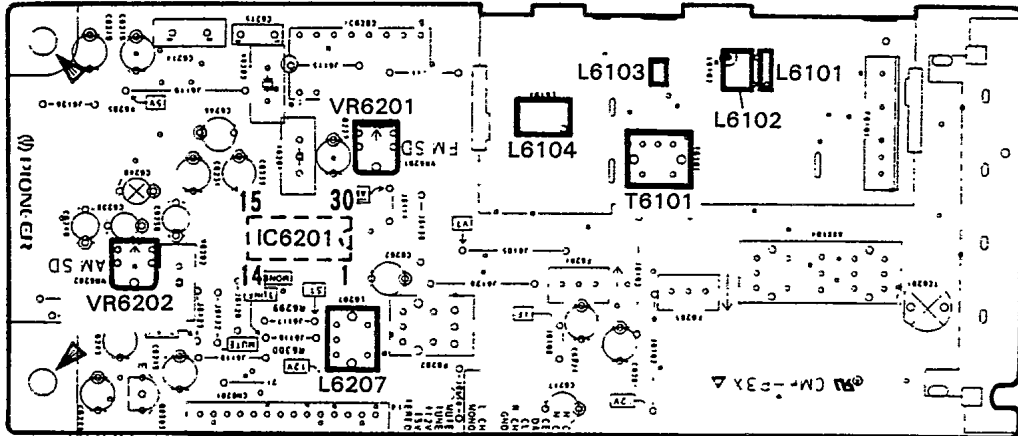


Fig. 1-3 Adjustment Points

6.2 POWER AMP MODULE SECTION (Refer to Fig. 2-1.)

1. Handling Precautions

- Since the heat sink and transistor metallic parts are connected to the Front Amp output, make sure they do not contact the GND (chassis) or other circuits.
- Since there is residual high voltage in the Power Amp Module ±B1 (FRONT 100W ASSY) and ±B2 (REGULATOR ASSY) even when the power is OFF, caution should be exercised. (If necessary, the voltage should be discharged).
- When handling the Power Amp Module, make sure you do not touch the fan motor blade.

2. Adjustment and Confirmation of Idle Current

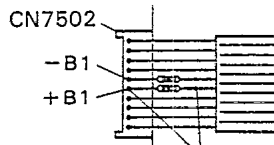
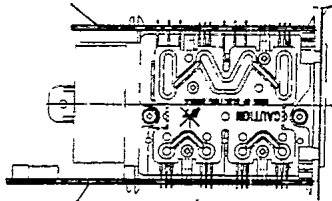
- Basically, the idle current needs to be confirmed when replacing a power transistor, driver transistor, or bias transistor, or when the entire split board Assy of the Power Amp Module has been replaced.
- Make sure the heat sink has cooled sufficiently before measuring the idle current. (Temperature should be the same as room temperature; 25°C is ideal, if possible.)
- Idle current stipulated value: 3-50mA.

■ Front Amp Side (FRONT 100W ASSY)

Step	Measurement	Item	Remarks
1	Lch side	Insert a resistor (0.22Ω, 3W or more) in series in the connector CN7502 +B1 (or -B1) line (terminal No. 5 or 6). (Refer to Fig. 2-2.)	For measuring voltage at both sides of resistor
2		Short both sides of C7524.	Do not operate Rch side.
3		Turn the power ON, wait 6 seconds, and then measure the resistance voltage in Step 1.	Lch Idle current $I = V / 0.22 (\Omega)$
4	Rch side	<ul style="list-style-type: none"> ● Same as Step 1 above. ● Short both sides of C7523. 	Do not operate Lch side.
5		Turn the power ON under the above conditions, and after 6 seconds measure the resistance voltage in Step 1.	
6	—	If the measured idle current is greater than 50mA, perform the following procedure.	
7	Lch side	Short between the Point A pattern in Fig. 2-3 using solder.	Connect R7517 to R7515 in a parallel circuit.
8	Rch side	Short between the Point B pattern in Fig. 2-3 using solder.	Connect R7518 to R7516 in a parallel circuit.
9	—	After performing Steps 7 and 8, remeasure the idle current and confirm that it is below 50mA.	

Step	Measurement	Item	Remarks
10	—	If the measured idle current is below 3mA, perform the following procedure.	
11	Lch side	Short between the Point C pattern in Fig. 2-3 using solder.	Connect R7551 to R7519 in a parallel circuit.
12	Rch side	Short between the Point D pattern in Fig. 2-3 using solder.	Connect R7552 to R7520 in a parallel circuit.
13	—	After performing Steps 11 and 12, remeasure the idle current and confirm that it is greater than 3mA. (Within 3-50mA)	

FRONT 100W ASSY
(Front Amp Side)



REGULATOR ASSY
(Rear Amp Side)

Resistor (0.22Ω, 3W or more)

Fig. 2-1 Power Amp Module
(POWER MOD. F100)

Fig. 2-2 FRONT 100W ASSY

3. Adjusting the Operating Temperature Setting of the Fan Motor (VR7201)

This adjustment is necessary when IC7401 (+12V regulator), Q7301 and Q7302 (temperature sensors), IC7201 (protection IC), or VR7201 has been replaced, or when the entire split board Assy of the Power Amp Module has been replaced.

■ Adjustment-Related Cautions

- Make sure the heat sink has sufficiently cooled (is the same as room temperature Ta.)
- Once the power has been turned ON, make measurements and adjustments as quickly as possible. (If too much time is taken, the heat sink temperature will rise, and the measurements will deviate from the Ta measurement point.)

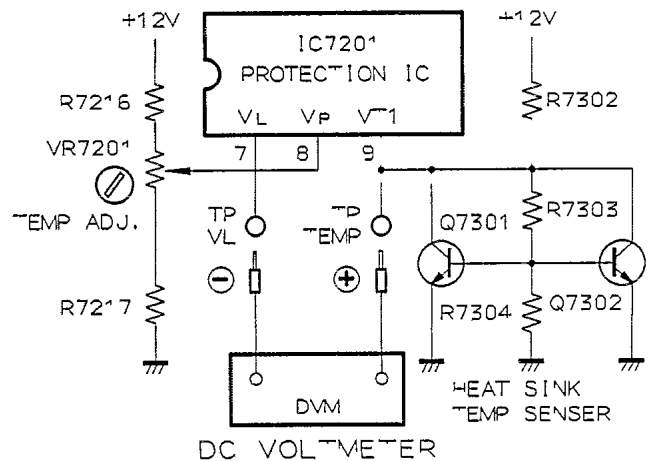
■ Adjustment

1. Connect a voltmeter between TEMP and VL (or between IC7201 terminals No.9 and 7). (Refer to Fig. 2-4.)
2. Determine the fan motor operating temperature setting by means of the following formula. (Tolerance is within ±30mV.)
Formula: $(75^{\circ}\text{C} - T_a) \times 19 \text{ (mV)}$
Ta: ambient temperature (°C)
3. Adjust VR7201 so that the voltage between TEMP and VL is the value obtained from the above formula.

For example:

when the room temperature is 25°C,
set value = $(75 - 25) \times 19 \text{ (mV)}$
= 950mV (tolerance within ±30mV).

REGULATOR ASSY



DC VOLTMETER

Fig. 2-4 Adjustment of Operating Temperature Setting of Fan Motor

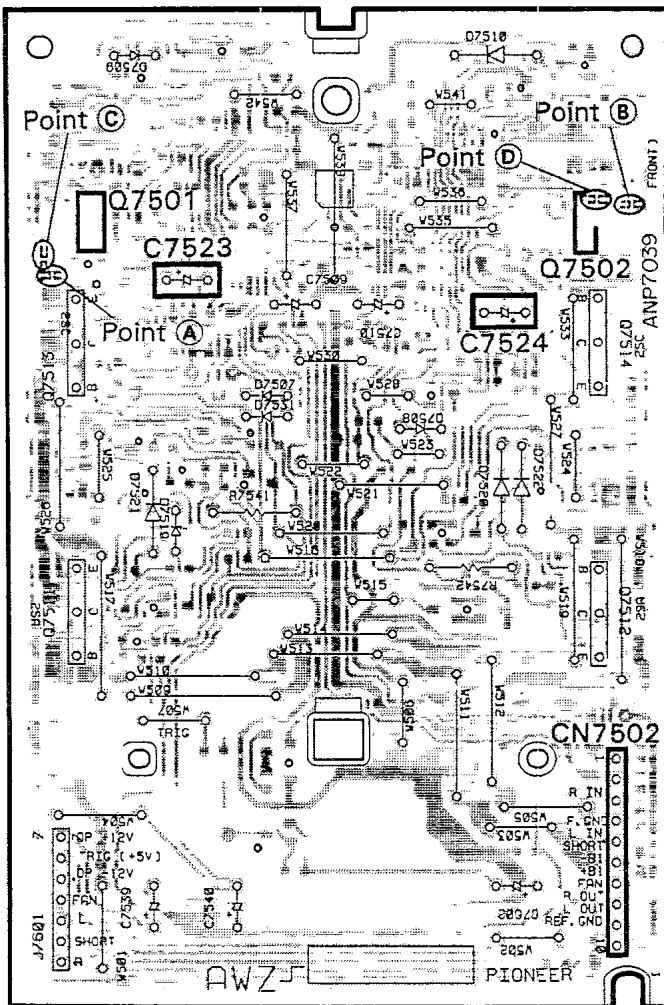


Fig. 2-3 FRONT 100W ASSY

6.3 CASSETTE DECK SECTION

- Adjustment points and test points are shown in Fig. 3-2 and Fig. 3-4.

■ Mechanical Adjustment

- Set the TAPE function.
- Test tape: STD-301 (3kHz, 30min).

1. Tape Speed Adjustment

No.	Mode	Test Tape	Adjusting Points	Measurement Points	Adjustment Procedure	Remarks
1	PLAY	STD-301 (Playback: 3kHz)	DECK Unit VR4111	TAPE TEST POINT (Rch) (AF CD Assy)	Press the PLAY SW and adjust so that the reading becomes $3010\text{Hz} \pm 10\text{Hz}$. Confirm that wow & flutter level is below 0.2% (in the reverse direction, confirm that the reading is within $3010\text{Hz} \pm 60\text{Hz}$).	

■ Electrical Adjustment

Check the following before starting.

1. Confirm that the tape speed adjustment has been completed.
2. Clean the heads and demagnetize them using a head eraser.
3. Set the measurement level to $0\text{ dBV} = 1\text{ Vrms}$.
4. Use the specified tape for adjustment. Use the labeled (A) side of the test tape.
STD-331E: For playback adjustment
STD-631: Normal blank tape
5. Provide yourself with the following measuring devices:
 - AC millivoltmeter
 - Low-frequency oscillator
 - Attenuator
 - Oscilloscope
6. Adjust both right and left channels unless otherwise specified.
7. Turn the DOLBY NR switch off unless otherwise specified.
8. Warm up the unit for several minutes before adjustment. In particular, be sure to warm up the unit in the REC/PLAY mode for 3 to 5 minutes before starting recording/playback frequency characteristics adjustment.
9. Always follow the indicated adjustment order. Otherwise, a complete adjustment may not be achieved.

Playback Adjustment (Decks I and II)

1. Head Azimuth Adjustment
2. Playback Level Adjustment

Recording Adjustment (Deck II)

1. Bias Oscillation Frequency Adjustment
2. Recording Bias Adjustment
3. Recording Level Adjustment.
4. ALC Operation Check

**As the reference recording level is 250nwb/m for STD-331E, the recording level will be higher by 4 dB for STD-331B (160nwb/m). When adjusting, pay carefull attention to the type of tape used.*

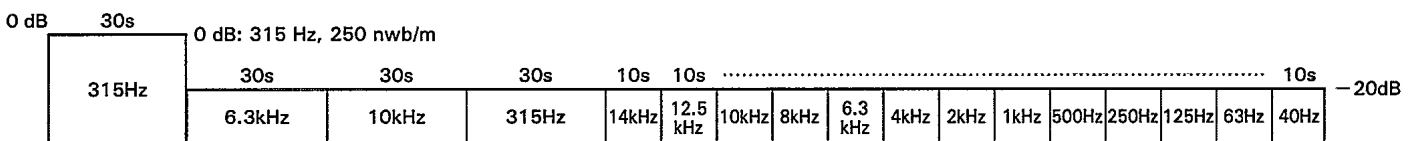


Fig. 3-1 STD-331E Test Tape

Dolby noise reduction manufactured under license from Dolby Laboratories Licensing Corporation.
 "DOLBY" and the double-D symbol \square are trademarks of Dolby Laboratories Licensing Corporation.

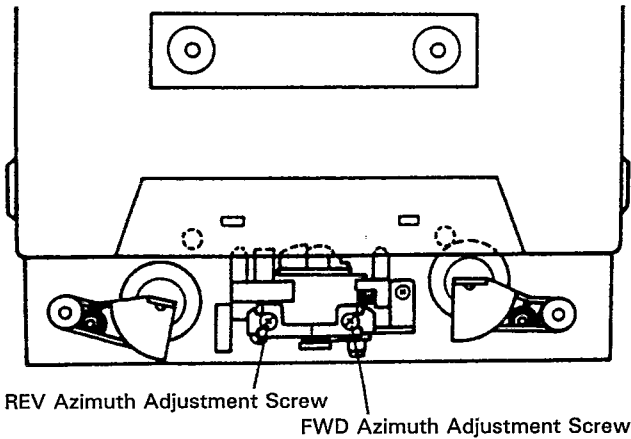
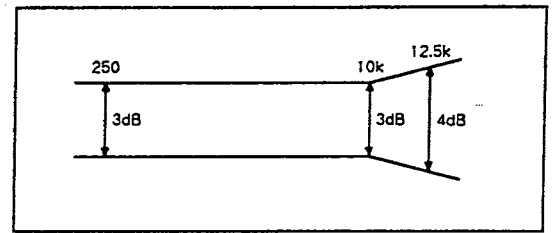


Fig. 3-2 Head Azimuth Adjustment

PLAY BACK



RECORDING

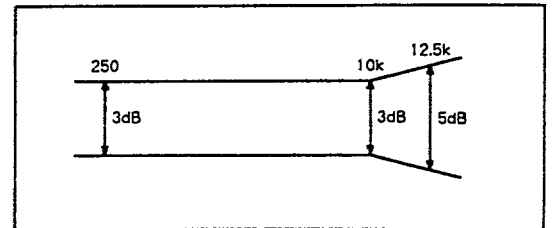


Fig. 3-3 Frequency Characteristics

● **Playback Adjustment**

1. Head Azimuth Adjustment

- This unit is equipped with auto tape selector.
- Do not switch between forward and reverse operation with the screwdriver inserted.

Step	Tape Selector (AUTO)	Mode	Input Signal/ Test Tape	Adjusting Points		Measurement Points	Adjustment Value	Remarks
1	NORMAL	PLAY	STD-331E test tape (Playback: 10kHz, -20dB)	Deck I	Head azimuth adjustment screw (Fig. 3-2)	TAPE TEST POINT (L, Rch) (AF CD Assy)	Max. playback signal level	After adjustment, apply silicon bond to the head azimuth adjustment screw.
				Deck II				

2. Playback Level Adjustment

- Since this adjustment determines playback Dolby NR level, perform it carefully.

Step	Tape Selector (AUTO)	Mode	Input Signal/ Test Tape	Adjusting Points		Measurement Points	Adjustment Value	Remarks
1	NORMAL	PLAY	STD-331E test tape (Playback: 315Hz, 0dB)	Deck I	VR4201 (Lch) VR4202 (Rch)	TAPE TEST POINT (L, Rch) (AF CD Assy)	-1.2 dBV	
				Deck II	VR4203 (Lch) VR4204 (Rch)			

● Recording Adjustment

1. Bias Oscillation Frequency Adjustment

Step	Tape Selector (AUTO)	Mode	Input Signal / Test Tape	Adjusting Points		Measurement Points	Adjustment Value	Remarks
				Deck I	Deck II			
1	NORMAL	REC	Load the STD-631 test tape and set the recording mode.	—	T4351	Between ④ point in Fig. 3-4 and GND.	Oscillation frequency to be 105.0kHz ±2kHz.	When the power is turned ON while the BAND button is depressed, the frequency will decrease 2-3 kHz.

● Since this adjustment affects recording bias, prevent distortion from increasing due to underbias.

2. Recording Bias Adjustment

Step	Tape Selector (AUTO)	Mode	Input Signal / Test Tape	Adjusting Points		Measurement Points	Adjustment Value	Remarks
				Deck I	Deck II			
1	NORMAL	REC	Input a 315Hz signal to the VIDEO/AUX IN terminal and set the input selector to VIDEO.	—	Input signal level	TAPE TEST POINT (L, Rch) (AF CD Assy)	-25.2 dBV	
2	NORMAL	REC / PLAY	Load the STD-631 test tape and record / playback the 315Hz and 10kHz signals. (see the Note below)	—	VR4351 (Lch) VR4352 (Rch)	TAPE TEST POINT (L, Rch) (AF CD Assy)		Repeat adjustment until playback level of the 10kHz signal is within 0±0.5dB from that of the 315Hz signal.

Note: Set to the same level used for the 315Hz input signal at step 1.

3. Recording Level Adjustment

Step	Tape Selector (AUTO)	Mode	Input Signal / Test Tape	Adjusting Points		Measurement Points	Adjustment Value	Remarks
				Deck I	Deck II			
1	NORMAL	REC	Input a 315Hz signal to the VIDEO/AUX IN terminal and set the input selector to VIDEO.	—	Input signal level	TAPE TEST POINT (L, Rch) (AF CD Assy)	-5.2 dBV	
2	NORMAL	REC / PLAY	STD-631 test tape and record / playback the 315Hz signal.	—	VR4301 (Lch) VR4302 (Rch)	TAPE TEST POINT (L, Rch) (AF CD Assy)		Repeat recording, playback and adjustment until playback level of the 315Hz signal becomes -5.2dBV.

4. ALC Operation Check

Step	Tape Selector (AUTO)	Mode	Input Signal / Test Tape	Adjusting Points	Measurement Points	Adjustment Value	Remarks
2	Set to a level +10dB above the input level at step 1.	-2.2±2.5dBV					

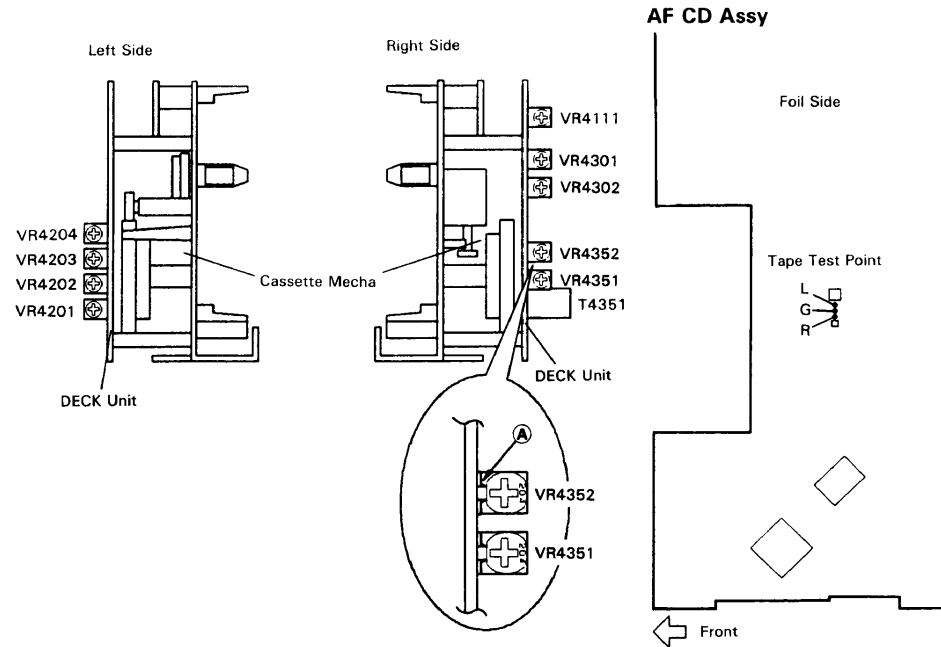


Fig. 3-4 Adjusting Points and Measurement Points

6.4 CD SECTION

Adjustment Methods

If a disc player is adjusted incorrectly or inadequately, it may malfunction or not work at all even though there is nothing at all wrong with the pickup or the circuitry. Adjust correctly following the adjustment procedure.

Adjustment Items/Verification Items and Order

If the specified values cannot be obtained or no adjustment is possible by performing the verifications or adjustments described in steps 1-4, the pickup block may be defective.

Step	Item	Test Point	Adjustment Location
1	Focus offset verification	TP1, Pin6 (FOER)	None
2	Tracking error balance verification	TP1, Pin2 (TRER)	None
3	Pickup radial/tangential direction tilt adjustment	TP1, Pin1 (RF)	Radial tilt adjustment screw, Tangential tilt adjustment screw
4	RF level verification	TP1, Pin1 (RF)	None
5	Focus servo loop gain adjustment	TP1, Pin5 (FOIN) TP1, Pin6 (FOER)	VR8152 (FCS GAN)
6	Tracking servo loop gain adjustment	TP1, Pin3 (TRIN) TP1, Pin2 (TRER)	VR8151 (TRK GAN)

Abbreviation Table

- FOER : Focus Error
- TRER : Tracking Error
- FCS GAN : Focus Gain
- TRK GAN : Tracking Gain
- FOIN : Focus In
- TRIN : Tracking In

Measuring Instruments and Tools

1. Dual trace oscilloscope (10 : 1 probe)
2. Low-frequency oscillator
3. Test disc (YEDS-7)
4. Low pass filter (39kΩ + 0.001μF)
5. Resistor (100kΩ)
6. Standard tools

Test Point and Adjustment Variable Resistor Positions

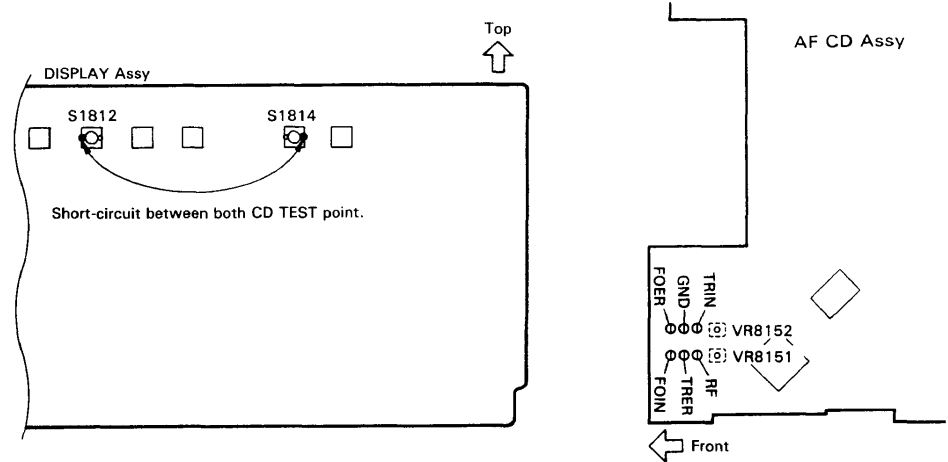


Fig. 1 Adjustment Location

Notes

1. Use a 10 : 1 probe for the oscilloscope.
2. All the knob positions (settings) for the oscilloscope in the adjustment procedures are for when a 10 : 1 probe is used.

Test Mode

These models have a test mode so that the adjustment and checks required for service can be carried out easily. When these models are in test mode, the keys on the front panel work differently from normal. Adjustments and checks can be carried out by operating these keys with the correct procedure. For these models, all adjustments are carried out in test mode.

[Setting these models to test mode]

How to set this model into test mode.

1. When the Power switch to activated, set the FUNCTION button to CD.
2. Short-circuit between both CD TEST points. (See Fig. 1)

When the test mode is set correctly, the display is different from what it usually is when the power is turned on. If the display is still the same as usual, test mode has not been set correctly, so repeat Steps 1-2.

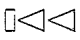
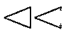
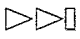
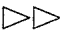


[Release from test mode]

Here is the procedure for releasing the test mode:

1. Press the STOP key and stop all operations.
2. Turn off the power switch on the front panel.

[Operations of the keys in test mode]

Code	Key Name	Function in Test Mode	Explanation
	DOLBY NR	Focus servo close	<p>The laser diode is lit up and the focus actuator is lifted up, then lowered slowly and the focus servo is closed at the point where the objective lens is focused on the disc.</p> <p>With the player in this state, if you lightly rotate the stopped disc by hand, you can hear the sound the focus servo.</p> <p>If you can hear this sound, the focus servo is operating correctly. If you press this key with no disc mounted, the laser diode lights up, the focus actuator is pulled up, then the actuator is lowered and raised three times and returned to its original position.</p>
▷/□□	PLAY/PAUSE	Spindle servo ON	<p>Starts the spindle motor in the clockwise direction and when the disc rotation reaches the prescribed speed (about 500rpm at the inner periphery), sets the spindle servo in a closed loop.</p> <p>Be careful. Pressing this key when there is no disc mounted makes the spindle motor run at the maximum speed.</p> <p>If the focus servo does not go correctly into a closed loop or the laser light shines on the mirror section at the outermost periphery of the disc, the same symptom is occurred.</p>
		Tracking servo close/open	<p>Pressing this key when the focus servo and spindle servo are operating correctly in closed loops puts the tracking servo into a closed loop, displays the track number being played back and the elapsed time on the front panel, and outputs the playback signal.</p> <p>If the elapsed time is not displayed or not counted correctly or the audio is not played back correctly, it may be that the laser is shining on the section with no sound recorded at the outer edge of the disc, that something is out of adjustment, or that there is some other problem.</p> <p>This key is a toggle key and open/close the tracking servo alternately. This key has no effect if no disc is mounted.</p>

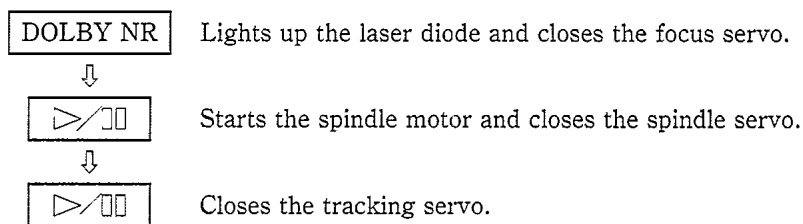
Code	Key Name	Function in Test Mode	Explanation
 • 	MANUAL/ TRACK SEARCH REV	Carriage reverse (inwards)	Moves the pickup position toward the inner diameter of the disc. When this key is pressed with the tracking servo in a closed loop, the tracking servo automatically goes into an open loop. Since the motor does not automatically stop at the mechanical end point in test mode, be careful with this operation.
 • 	MANUAL/ TRACK SEARCH FWD	Carriage forward (outwards)	Moves the pickup position toward the outer diameter of the disc. When this key is pressed with the tracking servo in a closed loop, the tracking servo automatically goes into an open loop. Since the motor does not automatically stop at the mechanical end point in test mode, be careful with this operation.
	STOP	Stop	Initializes and the disc rotation stops. The pickup and disc remain where they are when this key is pressed.
	EJECT	CD magazine eject	Stores Disc 1 in the CD magazine, then ejects the CD magazine. However, even though the CD magazine is ejected, the pickup does not return to the park position. Even if the CD magazine is mounted again, the pickup remains where it is.

Note: When inserting the magazine, disc 1 of the magazine is loaded automatically.

[How to playback a disc in test mode]

In test mode, since the servos operate independently, playing back a disc requires that you operate the keys in the correct order to close the servos.

Here is the key operation sequence for playing back a disc in test mode.



Wait at least 2–3 seconds between each of these operations.

1. Focus Offset Verification

● Objective	Verify the DC offset for the focus error amp.		
● Symptom when out of adjustment	The model does not focus in and the RF signal is dirty.		
● Measurement Instrument Connections	Connect the oscilloscope to TP1, Pin6 (FOER) [Settings] 5mV/division 10ms/division DC mode	● Player State ● Adjustment Location ● Disc	Test mode, stopped (just the Power switch on) None None needed
[Procedure] Verify the DC voltage at TP1, Pin6 (FOER) is $0 \pm 50\text{mV}$.			

Note: If the specified values cannot be obtained or no adjustment is possible by performing the verifications or adjustments described in adjustment items 1–4, the pickup block may be defective.

2. Tracking Error Balance Verification

● Objective	To verify that there is no variation in the sensitivity of the tracking photo diode.		
● Symptom when out of adjustment	Play does not start or track search is impossible.		
● Measurement Instrument Connections	Connect the oscilloscope to TP1, Pin2 (TRER). This connection may be via a low pass filter. [Settings] 50mV/division 5ms/division DC mode	● Player State ● Adjustment Location ● Disc	Test mode, focus and spindle servos closed and tracking servo open. None YEDS-7
[Procedure]			
<ol style="list-style-type: none"> 1. Move the pickup to midway across the disc (R=35mm) with the MANUAL/TRACK SEARCH FWD $\triangleright \triangleright \bullet \triangleright \triangleright \square$ key or REV $\square \triangleleft \triangleleft \bullet \triangleleft \triangleleft$ key. 2. Press the DOLBY NR key, then the PLAY/PAUSE $\triangleright / \square \square$ key in that order to close the focus servo then the spindle servo. 3. Line up the bright line (ground) at the center of the oscilloscope screen and put the oscilloscope into DC mode. 4. Supposing that the positive amplitude of the tracking error signal at TP1, pin2 (TRER) is (A) and the negative amplitude is (B), the following expression is satisfied. 			
<p>When $A \geq B$, $\frac{A-B}{C} \times \frac{1}{2} \cong 0.1$</p> <p>When $A < B$, $\frac{B-A}{C} \times \frac{1}{2} \cong 0.1$</p>		<p>When there is a DC component</p> <p>When there is no DC component</p>	

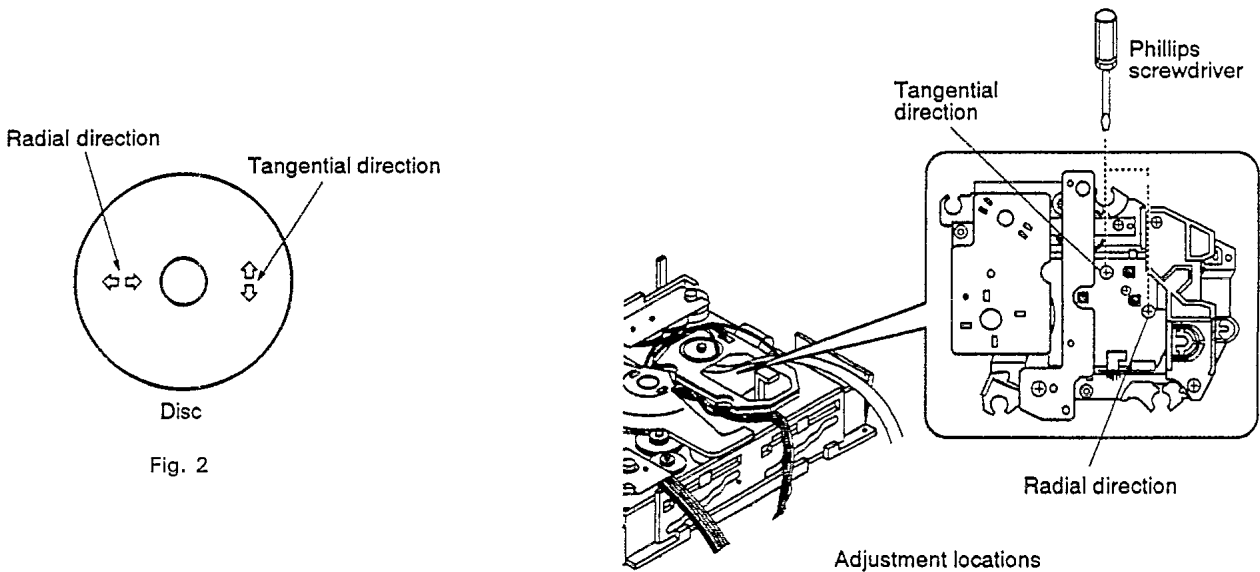
3. Pickup Radial/Tangential Tilt Adjustment

● Objective	To adjust the angle of the pickup relative to the disc so that the laser beams are shone straight down into the disc for the best read out of the RF signals.		
● Symptom when out of adjustment	Sound broken; some discs can be played but not others.		
● Measurement Instrument Connections	Connect the oscilloscope to TP1, Pin1 (RF). [Settings] 20mV/division 200ns/division AC mode	● Player State ● Adjustment Location ● Disc	Test mode, play Pickup radial tilt adjustment screw and tangential tilt adjustment screw YEDS-7

[Procedure]

1. Press the MANUAL/TRACK SEARCH FWD ▷▷ • ▷▷ key or REV ◁◁ • ◁◁ key to move the pickup to halfway across the disc (R=35mm).
Press the DOLBY NR key, the PLAY/PAUSE ▷/◻ key twice in that order to close the respective servos and put the player into play mode.
2. First, adjust the radial tilt adjustment screw with a Phillips screwdriver so that the eye pattern (the diamond shape at the center of the RF signal) can be seen the most clearly.
3. Next, adjust the tangential tilt adjustment screw with a Phillips screwdriver so that the eye pattern (the diamond shape at the center of the RF signal) can be seen the most clearly (Fig. 3).
4. Adjust the radial tilt adjustment screw and the tangential tilt adjustment screw again so that the eye pattern can be seen the most clearly. As necessary, adjust the two screws alternately so that the eye pattern can be seen the most clearly.
5. When the adjustment is completed, lock the radial and tangential adjustment screw.

Note: Radial and tangential mean the directions relative to the disc shown in Fig. 2.



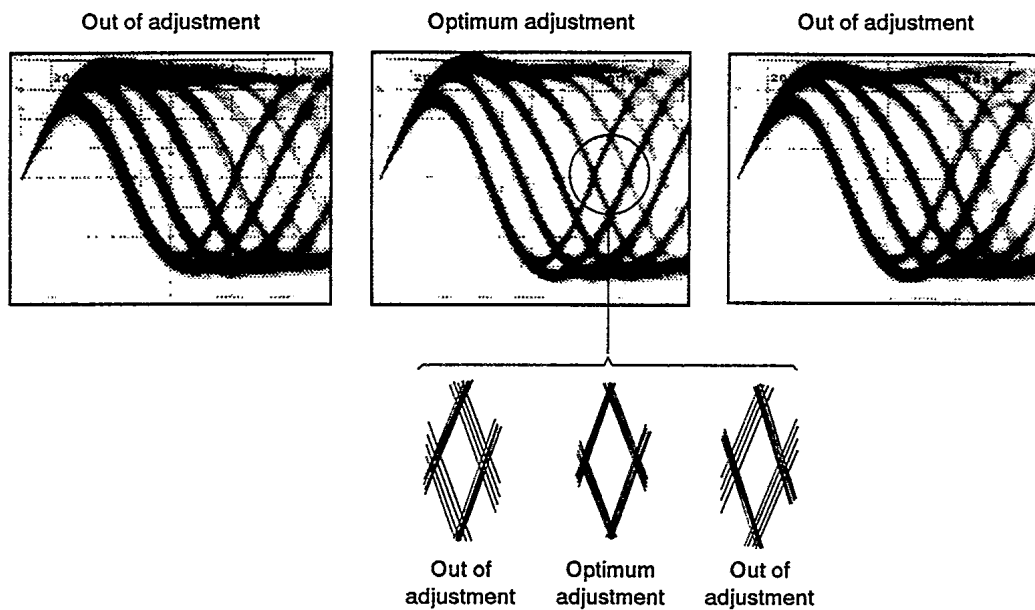


Fig. 3 Eye Pattern

4. RF Level Verification

<ul style="list-style-type: none"> ● Objective 	To verify the playback RF signal amplitude.		
<ul style="list-style-type: none"> ● Symptom when out of adjustment 	No play or no search		
<ul style="list-style-type: none"> ● Measurement Instrument Connections 	Connect the oscilloscope to TP1, Pin1 (RF). [Settings] 50mV/division 10ms/division AC mode	<ul style="list-style-type: none"> ● Player State ● Adjustment Location ● Disc 	Test mode, play None YEDS-7
<p>[Procedure]</p> <ol style="list-style-type: none"> 1. Move the pickup to midway across the disc (R=35mm) with the MANUAL/TRACK SEARCH FWD $\triangleright\triangleright \bullet \triangleright\triangleright$ key or REV $\triangleleft\triangleleft \bullet \triangleleft\triangleleft$ key, then press the DOLBY NR key, the PLAY/PAUSE \triangleright/\square key twice in that order to close the respective servos and put the player into play mode. 2. Verify the RF signal amplitude is $1.2V_{p-p} \pm 0.2V$. 			

5. Focus Servo Loop Gain Adjustment

● Objective	To optimize the focus servo loop gain.		
● Symptom when out of adjustment	Playback does not start or focus actuator noisy.		
● Measurement Instrument Connections	See Fig. 4. [Settings] CH1 20mV/division X-Y mode CH2 5mV/division	● Player State ● Adjustment Location ● Disc	Test mode, play VR8152 (FCS GAN) YEDS-7

[Procedure]

1. Set the AF generator output to 1.2kHz and 1V_{p-p}.
2. Press the MANUAL TRACK SEARCH FWD >> • >>> key or REV <<< • <<< key to move the pickup to halfway across the disc (R=35mm), then press the DOLBY NR key, the PLAY/PAUSE >/> key twice in that order to close the corresponding servos and put the player into play mode.
3. Adjust VR8152 (FCS GAN) so that the Lissajous waveform is symmetrical about the X axis and the Y axis.

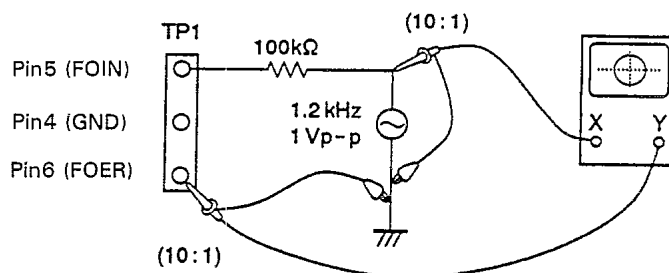
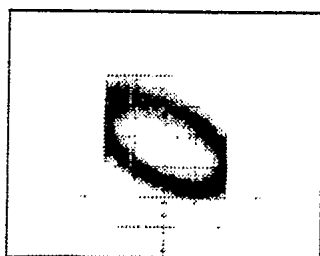
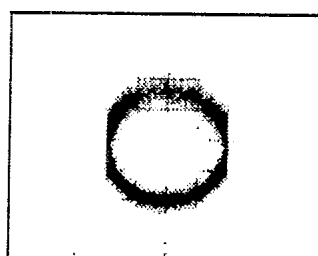


Fig. 4

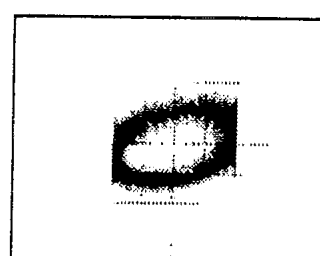
Focus Gain Adjustment



Higher gain



Optimum gain



Lower gain

6. Tracking Servo Loop Gain Adjustment

● Objective	To optimize the tracking servo loop gain.		
● Symptom when out of adjustment	Playback does not start, during searches the actuator is noisy, or tracks are skipped.		
● Measurement Instrument Connections	See Fig. 5.	● Player State	Test mode, play
	[Settings] CH1 50mV/division X-Y mode CH2 20mV/division	● Adjustment Location	VR8151 (TRK GAN)
		● Disc	YEDS-7

[Procedure]

1. Set the AF generator output to 1.2kHz and 2Vp-p.
2. Press the MANUAL/TRACK SEARCH FWD $\triangleright\triangleright \cdot \triangleright\triangleright$ key or REV $\triangleleft\triangleleft \cdot \triangleleft\triangleleft$ key to move the pickup to halfway across the disc (R=35mm), then press the DOLBY NR key, the PLAY/PAUSE \triangleright/\square key twice in that order to close the corresponding servos and put the player into play mode.
3. Adjust VR8151 (TRK GAN) so that the Lissajous waveform is symmetrical about the X axis and the Y axis.

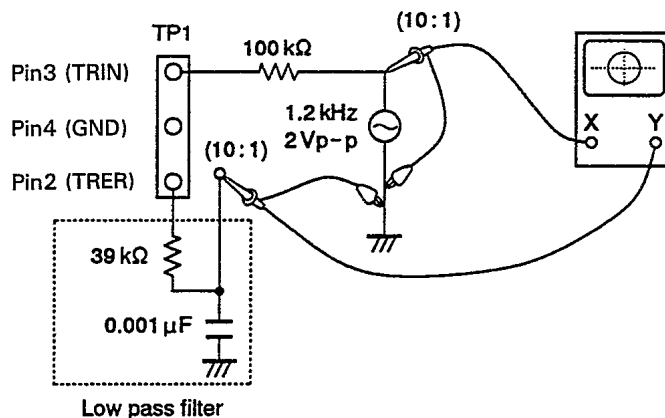
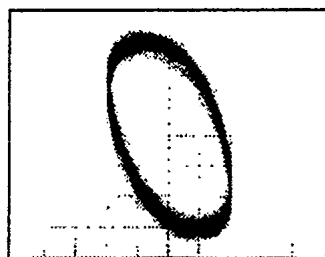
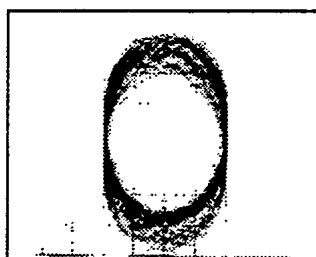


Fig. 5

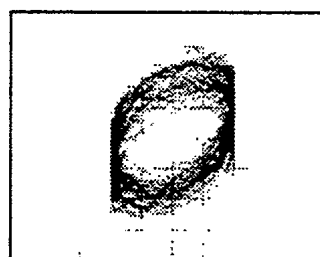
Tracking Gain Adjustment



Higher gain



Optimum gain



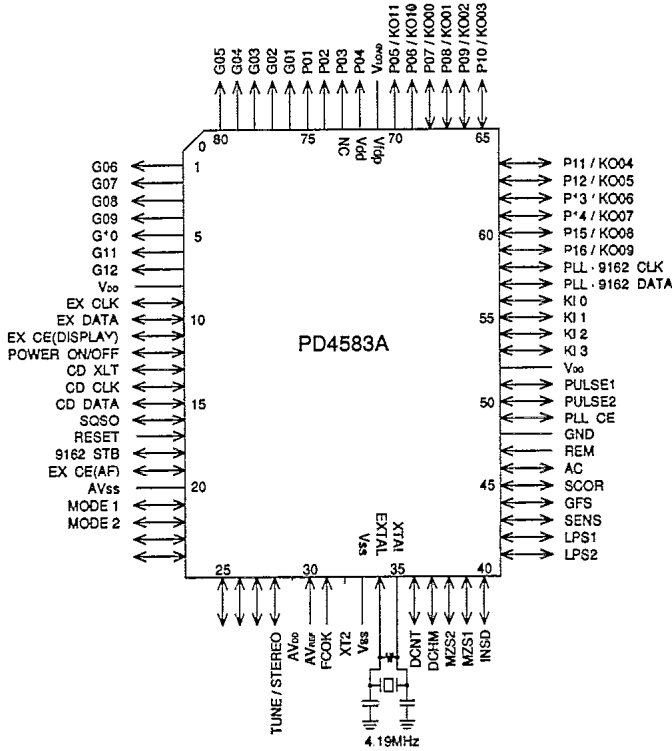
Lower gain

7. IC INFORMATION

- The information shown in the list is basic information and may not correspond exactly to that shown in the schematic diagrams.

■ PD4583A (IC1901 : DISPLAY ASSY)

- System Control Micro-computer
- Pin Assignment (Top View)



● Pin Function

No.	Name	Function	I/O	Description
1	FIP6	6G	P	FL grid
2	FIP5	7G		
3	FIP4	8G		
4	FIP3	9G		
5	FIP2	10G		
6	FIP1	11G		
7	FIP0	12G		
8	V _{DD}	V _{DD}	-	Connected to +5V.
9	SCK0	EX CLK	N	Extension port serial clock output
10	SO0	EX DATA	N	Extension port serial data output
11	P25	EX CE (DISPLAY)	C	Extension port (display system) latch pulse
12	P24	POWER ON/OFF	C	POWER ON/OFF

No.	Name	Function	I/O	Description
13	P23	CD XLT	C	LSI control data latch pulse
14	SCK1	CD CLK	C	LSI control data serial clock
15	SO1	CD DATA	C	LSI control data serial output
16	SI1	SQSO	I	Subcode Q data serial input
17	RESET	-	-	Reset input
18	P74	9162 STB	N	9162 strobe output
19	P73	EX CE (AF)	N	Extension port (AF system) latch pulse
20	AV _{SS}	AV _{SS}	-	Connected to GND.
21	ANI7	MODE1	I	Tape1 mode SW input
22	ANI6	MODE2	I	Tape2 mode SW input
23	ANI5	-	A/D	Spectrum analyzer input
24	ANI4	-		
25	ANI3	-		
26	ANI2	-		
27	P11	-		
28	P10	TUNE/STEREO	A/D	TUNE/STEREO status discrimination input
29	AV _{DD}	AV _{DD}	-	Connected to -5V.
30	AV _{REF}	AV _{REF}	-	
31	P04	FCOK	I	Focus OK input
32	XT2	-	O	Open
33	V _{SS}	-	-	Connected to GND.
34	X1	-	I	Connected to Oscillator (4.19MHz).
35	X2	-	O	
36	P37	DCNT	I	Disc count pulse input
37	P36	DCHM	I	Disc selector home SW input
38	P35	MZS2	I	Magazine discrimination SW input
39	P34	MZS1		
40	P33	INSD	I	Slider inside SW input

No.	Name	Function	I/O	Description
41	P32	LPS2	I	Load position discrimination input
42	P31	LPS1		
43	P30	SENS	I	LSI operating status multi-mode input
44	P03	GFS	I	Frame/synch/lock input
45	INTP2	SCOR	I	Subcode synch SO + SI input
46	INTP1	AC	I	AC pulse input
47	INTP0	REM	I	Remote control signal input
48	IC	—	—	Connected to GND.
49	P72	PLL CE	N	PLL latch pulse
50	P71	PULSE2	I	Tape 2 reel pulse input
51	P70	PULSE1	I	Tape 1 reel pulse input
52	V _{DD}	—	—	Connected to +5V.
53	P127	—	I	Key scan input
54	P126	—		
55	P125	—		
56	P124	—		
57	P123	PLL 9162 DATA	P	PLL and 9162 serial data
58	P122	PLL 9162 CLK	P	PLL and 9162 clock
59	FIP27	P16/KO9	P	FL segment and key scan output
60	FIP26	P15/KO8	P	
61	FIP25	P14/KO7	P	
62	FIP24	P13/KO6	P	
63	FIP23	P12/KO5	P	
64	FIP22	P11/KO4	P	
65	FIP21	P10/KO3	P	
66	FIP20	P9/KO2	P	

No.	Name	Function	I/O	Description
67	FIP19	P8/KO1	P	FL segment and key scan output
68	FIP18	P7/KO0	P	
69	FIP17	P6/KO10	P	
70	FIP16	P5/KO11	P	
71	V _{LOAD}	—	—	Connected to -30V.
72	FIP15	P4	P	FL segment
73	FIP14	P3	P	
74	FIP13	P2	P	
75	FIP12	P1	P	FL grid
76	FIP11	1G	P	
77	FIP10	2G	P	
78	FIP9	3G	P	
79	FIP8	4G	P	
80	FIP7	5G	P	

Note)

I : Input

A/D : Analog Input

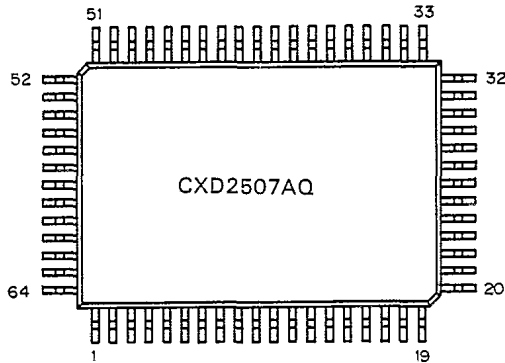
O : Cmos Output

N : Nch Open Drain Output

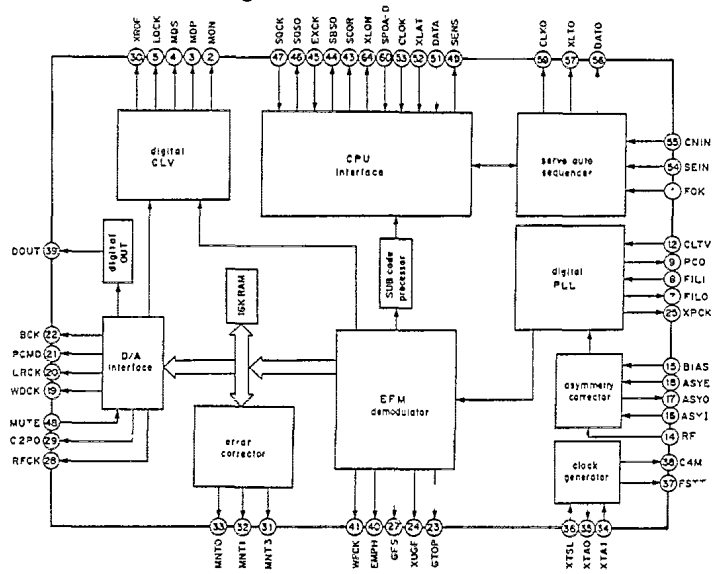
P : Pch Open Drain Output

■ CXD2507AQ (IC8301: AF CD ASSY)

- EFM Demodulator IC
- Pin Assignment (Top View)



● Block Diagram



● Pin Function

Pin No.	Symbol	I/O	Function
1	FOK	I	Focus OK input pin. Used for SENS output and servo auto sequence.
2	MON	O	ON/OFF control output for spindle motor.
3	MDP	O	Spindle motor servo control.
4	MDS	O	Spindle motor servo control.
5	LOCK	O	High output GFS is sampled at 460 Hz and that is High; Low output when GFS is sampled 8 times and that is Low.
6	TEST	I	Test pin, normally GND.
7	FILO	O	Analog
8	FILI	I	Master PLL filter input.
9	PCO	O	Master PLL charge pump output.
10	Vss	-	GND
11	AVss	-	Analog GND
12	CLTV	I	Master VCO control voltage input.
13	AVDD	-	Analog power supply. (+5V)
14	RF	I	EFM signal input.
15	BIAS	I	Asymmetry circuit constant current input.
16	ASYI	I	Asymmetry comparator voltage input.
17	ASYO	O	EFM full-swing output. (Low=Vss, High=Vdd)
18	ASYE	I	"L": Asymmetry circuit OFF, "H": Asymmetry circuit ON.
19	WDCK	O	D/A interface. Word clock f=2 Fs.
20	LRCK	O	D/A interface. LR clock f=Fs.
21	PCMD	O	D/A interface. Serial data . (2's COMP, MSB fast)
22	BCK	O	D/A interface. Bit clock.
23	GTOP	O	GTOP output.
24	XUGF	O	XUGF output.
25	XPCK	O	XPLCK output.

Pin No.	Symbol	I/O		Function
26	VDD	–	–	Power supply . (+5V)
27	GFS	O	1, 0	GFS output.
28	RFCK	O	1, 0	RFCK output.
29	C2PO	O	1, 0	C2PO output.
30	XROF	O	1, 0	XRAOF output.
31	MNT3	O	1, 0	MNT3 output.
32	MNT1	O	1, 0	MNT1 output.
33	MNT0	O	1, 0	MNT0 output.
34	XTAI	I	–	Crystal oscillator circuit input. 16.9344 MHz or 33.8688 MHz input.
35	XTAO	O	1, 0	16.9344 MHz crystal oscillation circuit output.
36	XTSL	I	–	Crystal selection input. Low for 16.9344 MHz crystal; High for 33.8688 MHz crystal.
37	FSTT	O	1, 0	2/3 frequency divider input of Pins 34 and 35.
38	C4M	O	1, 0	4.2336 MHz output.
39	DOUT	O	1, 0	Digital Out output.
40	EMPH	O	1, 0	Playback disc emphasis mode output. (Low for no emphasis applied; High for emphasis applied)
41	WFCK	O	1, 0	WFCK output.
42	VSS	–	–	GND
43	SCOR	O	1, 0	Subcode sync output. (High for subcode sync S0 or S1 detected)
44	SBSO	O	1, 0	Sub P to W serial output.
45	EXCK	I	–	SBSO readout clock input.
46	SQSO	O	1, 0	Sub Q 80-bit serial output.
47	SQCK	I	–	SQSO readout clock input.
48	MUTE	I	–	"H": Mute, "L": Release.
49	SENS	O	1, 0	SENS output .(Output to CPU)
50	XRST	I	–	System reset .(Low for reset)
51	DATA	I	–	Serial data input from CPU.
52	XLAT	I	–	Latch input from CPU. Latches serial data at falling edge.
53	CLOK	I	–	Serial data transfer clock input from CPU.
54	SEIN	I	–	Sense input from SSP.
55	CNIN	I	–	Track jump number count signal input.
56	DATO	O	1, 0	Serial data output to SSP.
57	XLTO	O	1, 0	Serial data latch output to SSP. Latches at falling edge.
58	VDD	–	–	Power supply . (+5V)
59	CLKO	O	1, 0	Serial data transfer clock output to SSP.
60	SPOA	I	–	Microprocessor extension interface. (input A)
61	SPOB	I	–	Microprocessor extension interface. (input B)
62	SPOC	I	–	Microprocessor extension interface. (input C)
63	SPOD	I	–	Microprocessor extension interface. (input D)
64	XLON	O	1, 0	Microprocessor extension interface. (output)

8. DISASSEMBLY

■ CD MECHA ASSY DIAGNOSIS AND REPLACEMENT

1. Remove the cover.
2. Remove the nylon rivet (E) between the front panel and AF CD Assy.
3. Remove the 3 screws between the front panel and the chassis.
 - L/R sides: (A) × 2
 - Bottom side: (B) × 1
4. Remove the lead wire from the cassette mecha Assy from the chassis.
 - Screw: (C) × 1
5. Remove the front panel from the chassis (watching out for the claw on the left and right), and open the side of the AF CD Assy. (Refer to Fig. 1)

NOTE:

Do not remove the rear panel and AF CD Assy at this time.

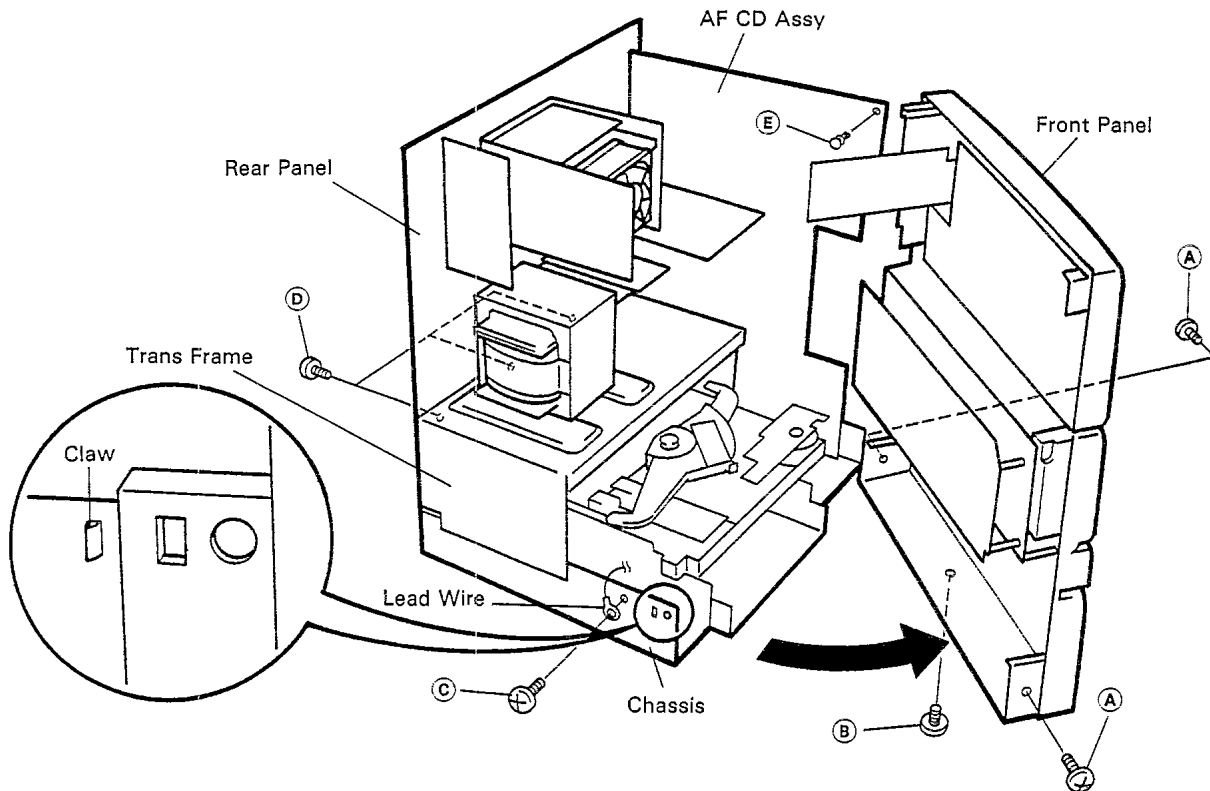


Fig. 1

Under these conditions, most of the PCB diagnosis and parts replacement can be performed.

■ REMOVAL OF AF CD ASSY

1. Under the conditions of the previous paragraph, remove the rear panel and AF CD Assy. (Do not separate the rear panel and AF CD Assy.)
 - Between rear panel and trans frame.
 - Screw: (D) × 3

9. FOR XR-P5500M/KC, XR-P4500M/KU AND KC TYPES

CONTRAST OF MISCELLANEOUS PARTS

NOTES :

- Parts marked by "NSP" are generally unavailable because they are not in our Master Spare Parts List.
- The Δ mark found on some component parts indicates the importance of the safety factor of the part. Therefore, when replacing, be sure to use parts of identical designation.
- Parts marked by "⊙" are not always kept in stock. Their delivery time may be longer than usual or they may be unavailable.
- When ordering resistors, first convert resistance values into code form as shown in the following examples.

Ex. 1 When there are 2 effective digits (any digit apart from 0), such as 560 ohm and 47k ohm (tolerance is shown by J = 5%, and K = 10%).

560Ω → 56 × 10¹ → 561 RD1/8PM $\begin{matrix} \text{5} & \text{6} & \text{1} & \text{J} \end{matrix}$

47kΩ → 47 × 10³ → 473 RD1/4PS $\begin{matrix} \text{4} & \text{7} & \text{3} & \text{J} \end{matrix}$

0.5Ω → 0R5 RN2H $\begin{matrix} \text{0} & \text{R} & \text{5} & \text{K} \end{matrix}$

1Ω → 010 RS1P $\begin{matrix} \text{0} & \text{1} & \text{0} & \text{K} \end{matrix}$

Ex. 2 When there are 3 effective digits (such as in high precision metal film resistors).

5.62kΩ → 562 × 10¹ → 5621 RM1/4PC $\begin{matrix} \text{5} & \text{6} & \text{2} & \text{1} & \text{F} \end{matrix}$

XR-P5500M/KC, XR-P4500M/KU, KC and XR-P5500M/KU have the same construction except for the following :

Mark	Symbol & Description	Part No.				Remarks
		XR-P5500M/KU	XR-P5500M/KC	XR-P4500M/KU	XR-P4500M/KC	
NSP	AF assy	AWK7108	AWK7108	AWK7106	AWK7106	*1
	AF CD assy	AWZ7544	AWZ7544	AWZ7542	AWZ7542	
	VR assy	AWZ7551	AWZ7551	AWZ7549	AWZ7549	
	HEADPHONE assy	AWZ7555	AWZ7555	AWZ7554	AWZ7554	
NSP	COMPLEX assy	AWM7147	AWM7147	AWM7137	AWM7137	
	PRIMARY assy	AWZ7535	AWZ7535	AWZ7532	AWZ7532	
	CASSETTE MOD. B	EXK2435	EXK2415	EXK2435	EXK2415	
Δ	T8005 Power transformer	ATS7039	ATS7039	ATS7068	ATS7068	
Δ	FU1 Fuse (6.3A/125V)	AEK-309	AEK-309	Not used	Not used	
Δ	FU1 Fuse (5A/125V)	Not used	Not used	AEK-308	AEK-308	
	Front panel	AMB7213	AMB7213	AMB7155	AMB7155	
	Rear panel	ANC7143	ANC7144	ANC7138	ANC7139	
	Bonnet case	ANE7045	ANE7045	ANE7044	ANE7044	
	Packing case	AHD7081	AHD7081	AHD7079	AHD7079	
	Operating instructions (English)	ARB7021	Not used	ARB7021	Not used	
	Operating instructions (English, French)	Not used	ARE7020	Not used	ARE7020	
	65 label	ORW1069	Not used	ORW1069	Not used	

Note:

*1 : Although AWZ7554 and AWZ7555 are different in part number, they have the same service parts.

AF CD ASSY

AWZ7542 and AWZ7544 have the same construction except for the following :

Mark	Symbol & Description	Part No.		Remarks
		AWZ7544	AWZ7542	
Δ	C1001, C1002 (4700/71)	ACH1249	Not used	
Δ	C1001, C1002 (4700/63)	Not used	ACH7007	
	R1224	RS1LMF472J	RS1LMF272J	
	R2116	RS1/10S152J	RS1/10S473J	

VR ASSY

AWZ7549 and AWZ7551 have the same construction except for the following :

Mark	Symbol & Description	Part No.		Remarks
		AWZ7551	AWZ7549	
	R1505, R1506	RS1/10S104J	RS1/10S473J	

PRIMARY ASSY

AWZ7532 and AWZ7535 have the same construction except for the following :

Mark	Symbol & Description	Part No.		Remarks
		AWZ7535	AWZ7532	
	L1101	ATF1136	ATF-151	

CASSETTE MOD. B

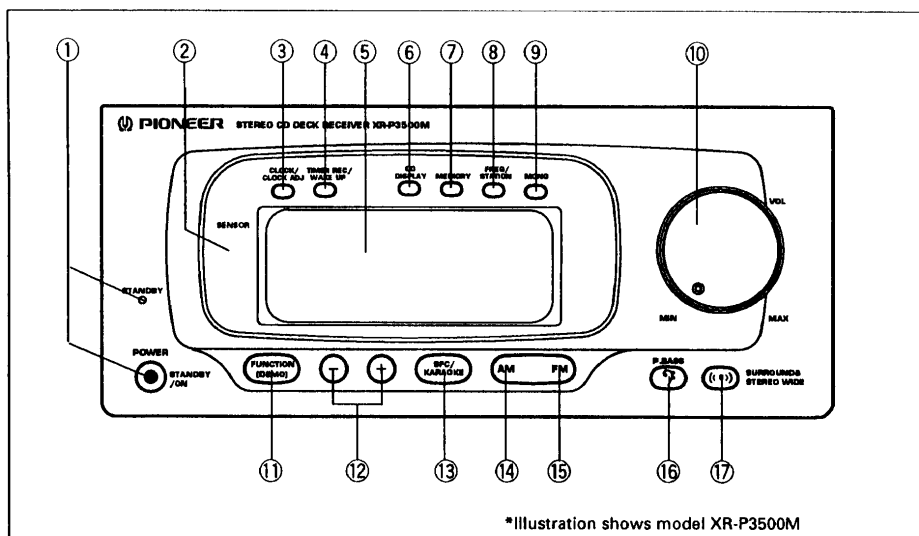
EXK2415 and EXK2435 have the same construction except for the following :

Mark	Symbol & Description	Part No.		Remarks
		EXK2435	EXK2415	
	Cassette mecha unit	EXA1408	EXA1407	*2

Note:

*2 : Although EXA1407 and EXA1408 are different in part number, they consist of the same components.

10. PANEL FACILITIES



RECEIVER

① POWER STANDBY/ON switch and STANDBY indicator

This is the switch for electric power.

ON: When set to the ON position, power is supplied and the unit becomes operational.

STANDBY: When set to the STANDBY position, the main power flow is cut and the unit is no longer fully operational. A minute flow of power feeds the unit to maintain operation readiness. (The STANDBY indicator lights.)

- ② Remote sensor
- ③ CLOCK/CLOCK ADJ button
- ④ TIMER REC/WAKE-UP button
- ⑤ Display
- ⑥ CD DISPLAY button

⑦ MEMORY button

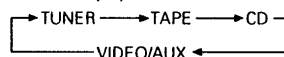
⑧ FREQ/STATION button

⑨ MONO button

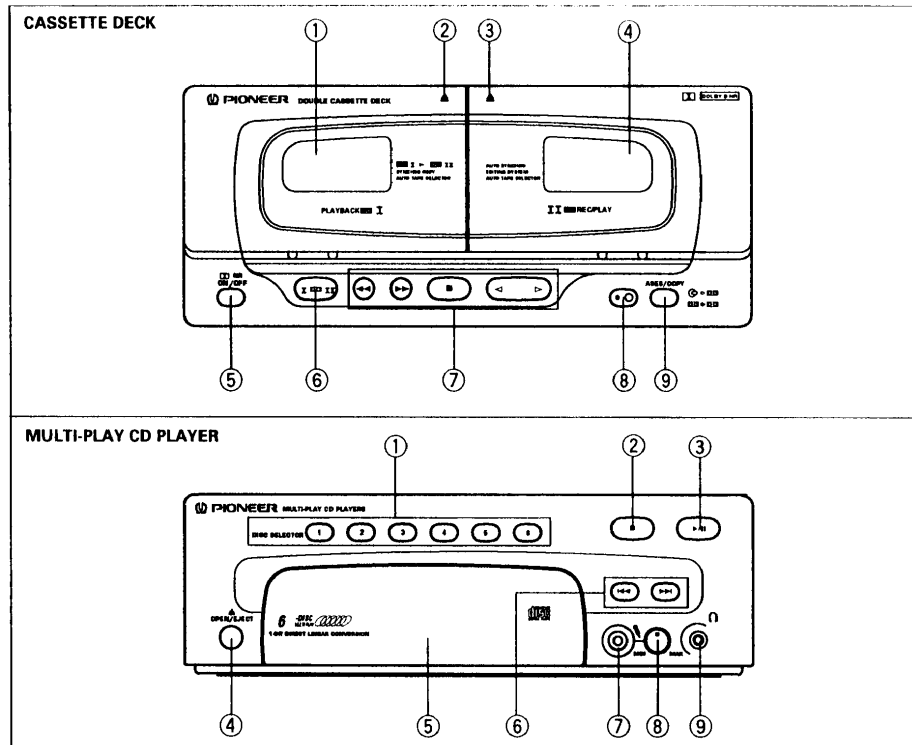
⑩ VOLUME control

⑪ FUNCTION (*DEMO) button and indicators

Each time this button is pressed, the function changes in the following sequence (The selected function is displayed in the display window.):



- ⑫ ⊖, ⊕ buttons
- ⑬ SFC (Sound Field Control)/KARAOKE button
- ⑭ AM button
- ⑮ FM button
- ⑯ P. BASS button
- ⑰ U.S. model : STEREO WIDE button
U.K., Australian and Multivoltage models : SURROUND & STEREO WIDE button



CASSETTE DECK

- ① TAPE I cassette door
- ② TAPE I EJECT section (▲)
- ③ TAPE II EJECT section (▲)
- ④ TAPE II cassette door
- ⑤ DOLBY* NR ON/OFF button
Each time this button is pressed, DOLBY NR system turns ON and OFF.
- ⑥ TAPE I/II selector button
- ⑦ TAPE operation buttons
(Play ◀▶, Stop ■, Fast ◀◀▶▶)
- ⑧ Rec pause button (●)
- ⑨ ASES (Auto Synchro Editing System)/COPY button

■ Auto Function

This model is equipped with an "Auto Function" operation, so when the switch for PLAY/PAUSE, DISC SELECTOR 1-6, RND, TAPE I/II, PLAY (tape), or Band (FM, AM) is pressed, the function switches automatically. Use the FUNCTION button to select the component connected to the VIDEO/AUX IN jacks, since Auto Function is not effective for this.

NOTE:
The function cannot be switched during recording and tape copying.

MULTI-PLAY CD PLAYERS

- ① DISC SELECTOR buttons (1~6)
- ② Stop button (■)
- ③ Play/Pause button (▶/||)
- ④ OPEN/EJECT button
- ⑤ Magazine slot door
- ⑥ Manual/Track search buttons (◀◀, ▶▶)
- ⑦ Microphone jack
- ⑧ Mic level control
- ⑨ Headphones jack

- *Dolby noise reduction manufactured under license from Dolby Laboratories Licensing Corporation.*
- "DOLBY" and the double-D symbol are trademarks of Dolby Laboratories Licensing Corporation.

