

Service Manual

ORDER NO.
RRV1488

STEREO FILE-TYPE CD CASSETTE DECK RECEIVER

XR-P560F

● Refer to the service manual RRV1429 for XR-P760F/DD.

THIS MANUAL IS APPLICABLE TO THE FOLLOWING MODEL(S) AND TYPE(S).

Type	Model	Power Requirement	The voltage can be converted by the following method.
	XR-P560F		
DDXJ	○	AC110-127V/220-230V/240V	With the voltage selector
DDXJ/NC	○	AC110-127V/220-230V/240V	With the voltage selector
DLXJ/NC	○	AC110-120V/220-230V/240V	With the voltage selector
YPWXJ	○	AC240V	—

● Parts of the exploded views in the exterior section and packing are all mentioned in this manual.

● The electrical parts are mentioned by the contrast table in this manual.

CONTENTS

1. EXPLODED VIEWS, PACKING AND PARTS LIST	2
2. CONTRAST TABLE OF ELECTRICAL PARTS	9
3. SCHEMATIC AND PCB DIAGRAMS	13

XR-P560F

1. EXPLODED VIEWS, PACKING AND PARTS LIST

NOTES:

- Parts marked by “NSP” are generally unavailable because they are not in our Master Spare Parts List.
- The Δ mark found on some component parts indicates the importance of the safety factor of the part. Therefore, when replacing, be sure to use parts of identical designation.
- Parts marked by “☉” are not always kept in stock. Their delivery time may be longer than usual or they may be unavailable.

1.1 EXTERIOR

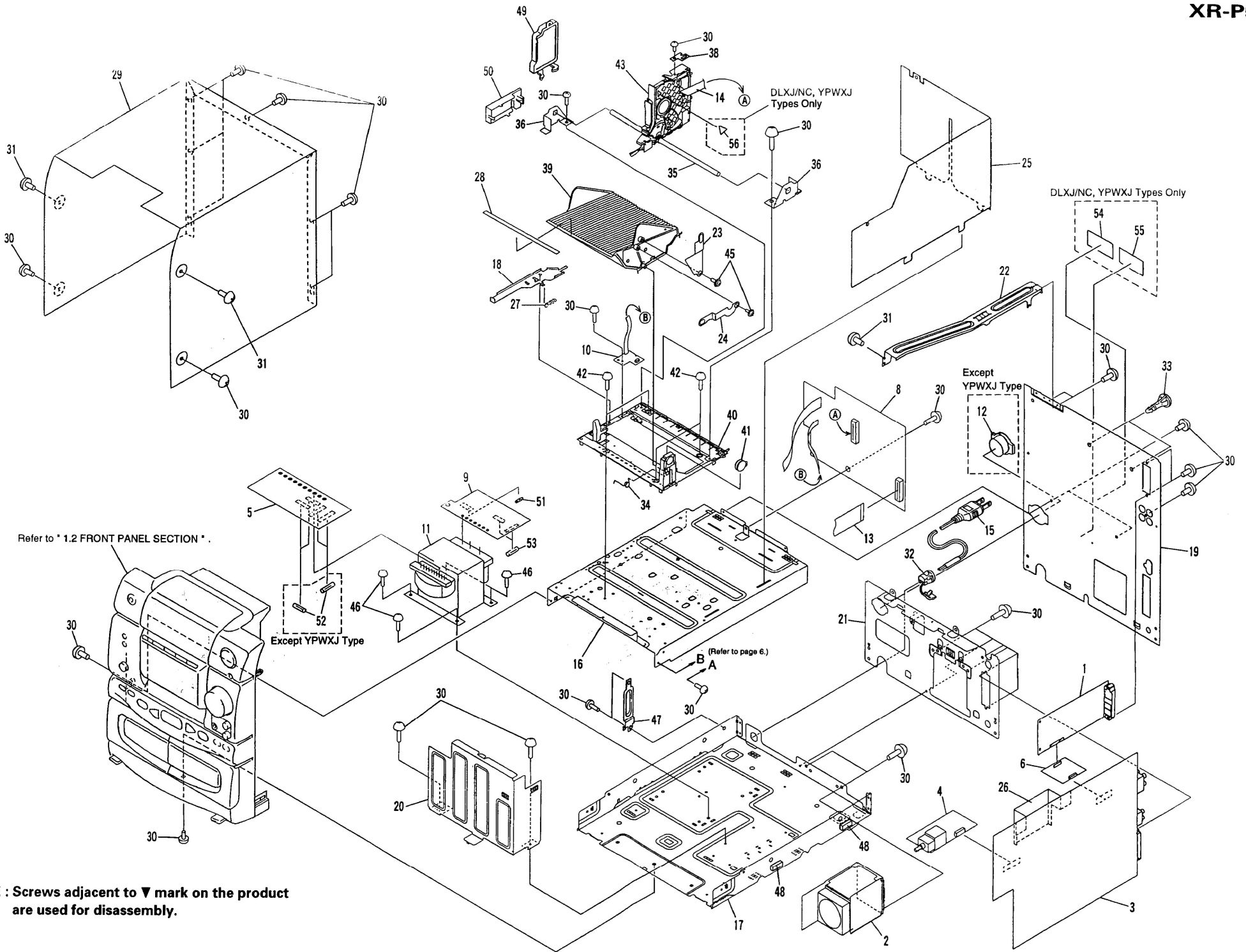
■ Contrast of XR-P560F/DDXJ, DDXJ/NC, DLXJ/NC and YPWXJ

XR-P560F/DDXJ, DDXJ/NC, DLXJ/NC and YPWXJ have the same construction except for the following:

Mark	No.	Description	Part No.				Remarks
			DDXJ type	DDXJ/NC type	DLXJ/NC type	YPWXJ type	
	5	SECONDARY Assy	AWZ7863	AWZ7863	AWZ7863	AWZ7864	
Δ	9	PRIMARY Assy	AWZ7899	AWZ7899	AWZ7899	AWZ7900	
Δ	12	Voltage Selector	AKX7002	AKX7002	AKX7002	Not used	
	15	AC Power Cord	PDG1013	PDG1013	ADG1131	ADG1123	
	19	Rear Panel	ANC7377	ANC7304	ANC7378	ANC7400	
Δ	52	Fuse(T2A, FU5-FU8)	AEK1057	AEK1057	AEK1057	Not used	
	54	Caution Label	Not used	Not used	PRW1018	PRW1018	
NSP	55	Caution Label(F)	Not used	Not used	VRW-328	VRW-328	
	56	Caution Label(G)	Not used	Not used	VRW-329	VRW-329	

■ Parts List for XR-P560F/DDXJ

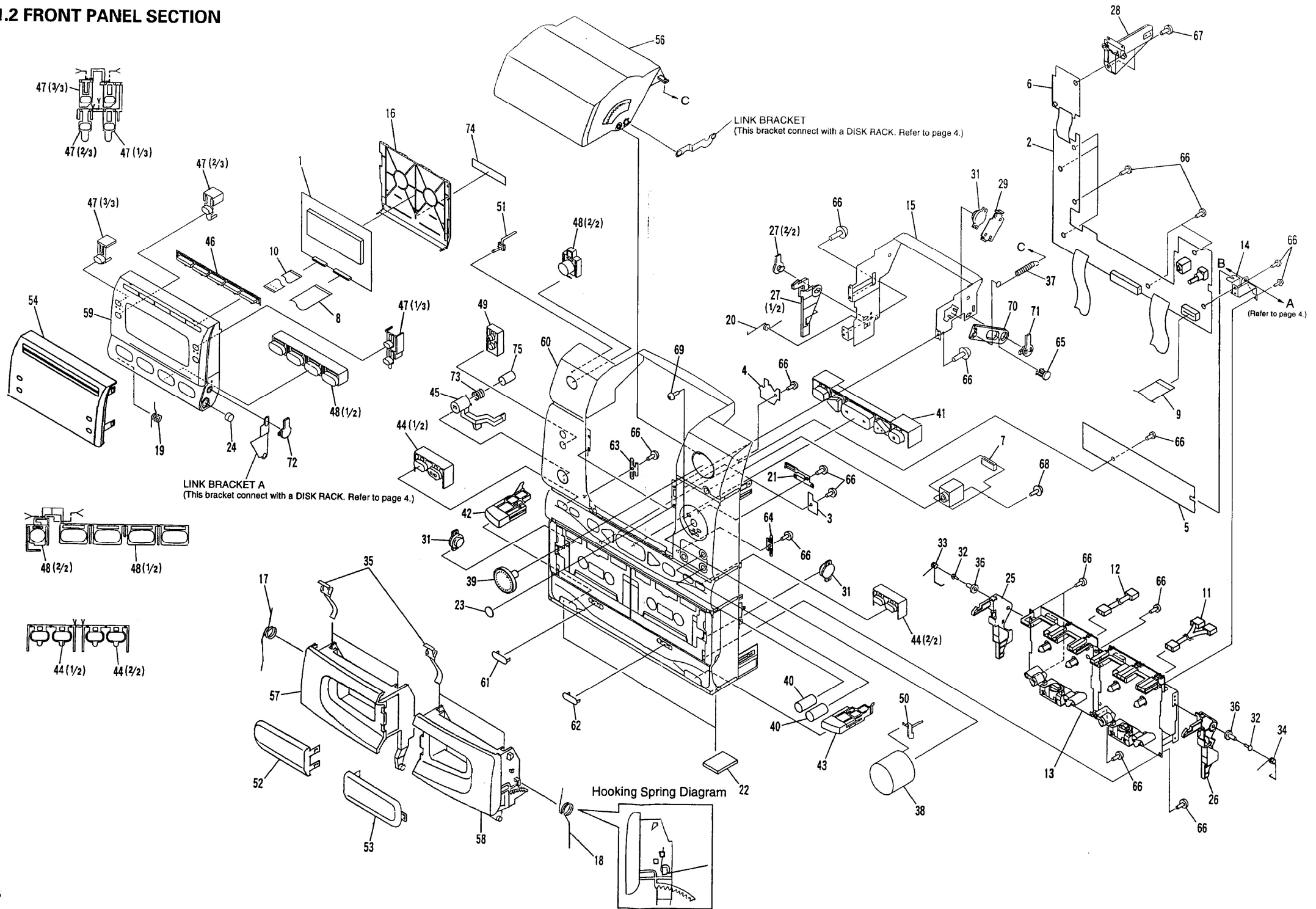
Mark No.	Description	Parts No.	Mark No.	Description	Parts No.
1	FM/AM TUNER MODULE	AXQ3112	31	SCREW	VPZ30P100FZK
2	POWER AMP MODULE	AXQ7017	32	CORD STOPPER	CM-22B
3	AF ASSY	AWZ7846	NSP	LOCKING CARD SPACER	VEC1596
4	VOL ASSY	AWZ7910	34	RACK SPRING	ABH7057
5	SECONDARY ASSY	AWZ7863	35	GUIDE SHAFT -25	ALA7007
NSP	TX CONNECT ASSY	AWZ8176	36	SHAFT HOLDER	ANB7021
7		37	
8	CD ASSY -	AWZ7895	NSP	ASSIST ANGLE 2	ANB7065
9	PRIMARY ASSY	AWZ7899	39	DISC RACK	ANW7069
NSP	HOME SW ASSY	AWZ7917	40	RACK BASE S	ANW7070
Δ	POWER TRANSFORMER (T)	ATS7089	41	DAMPER ASSY	AXA7018
Δ	VOLTAGE SELECTOR	AKX7002	42	SCREW C	PBA1106
13	19P F.F.C /30V	ADD7009	NSP	GM MECHA ASSY	AXA7026
14	22P F.F.C /30V	ADD7016	44	
Δ	AC POWER CORD	PDG1013	45	SCREW	IBZ30P080FMC
16	SUB CHASSIS	ANA7035	46	SCREW	BBZ40P080FZK
NSP	CHASSIS	ANA7034	47	SIDE ANGLE	ANG7091
18	EJECT LEVER	ANB7022	48	SIDE ROLLER RUBBER	AEB7053
19	REAR PANEL	ANC7377	49	SERVO COVER	ANW7073
20	FRONT STAY	AND7009	50	NICE COVER	ANW7074
21	REAR STAY	AND7010	Δ	FUSE (5A, FU1)	REK-107
22	HOME LOCK STAY	AND7011	Δ	FUSE (T2A, FU5-FU8)	AEK1057
23	LINK BRACKET A	ANG7070	Δ	FUSE (2.5A, FU2, FU3)	REK-104
24	LINK BRACKET B	ANG7071			
25	CD BACK COVER	AAK7248			
26	PCB COVER	AAK7249			
27	LEVER SPRING	ABH7053			
28	DISC RACK PANEL	AAK7251			
29	BONNET CASE	ANE7108			
30	SCREW	BBZ30P080FZK			



NOTE : Screws adjacent to ▼ mark on the product are used for disassembly.

XR-P560F

1.2 FRONT PANEL SECTION



Parts List

Mark No.	Description	Parts No.	Mark No.	Description	Parts No.
1	DISPLAY ASSY	AWZ7876	51	STA. LENS	AAK7210
2	OPERATION-A ASSY	AWZ7920	52	DOOR WINDOW L	AAK7211
NSP	DOOR SW ASSY	AWZ7887	53	DOOR WINDOW R	AAK7212
4	JOG ASSY	AWZ7888	54	AMP PANEL	AAK7213
5	DECK RELAY ASSY	AWZ7902	55	
6	OPERATION-B ASSY	AWZ7912	56	HOOD	AAAN7194
NSP	HEADPHONE ASSY	AWZ7915	57	CASSETTE DOOR PANEL L	AAAN7128
8	31P F.F.C /60V	ADD7006	58	CASSETTE DOOR PANEL R	AAAN7129
9	17P F.F.C /30V	ADD7007	NSP	DOOR PANEL	AAAN7096
10	27P F.F.C /30V	ADD7008	60	FRONT PANEL	AMB7361
11	CONNECTOR ASSY 5P	RKP1582	61	BLIND MOLD L	AMR7100
12	CONNECTOR ASSY 3P	RKP1583	62	BLIND MOLD R	AMR7101
13	MECHANISM UNIT	RYM1248	63	DOOR SHAFT HOLDER L	AMR7102
14	EARTH BRACKET	ANG7072	64	DOOR SHAFT HOLDER R	AMR7103
15	SUB PANEL	ANG7074	65	LOCK MOLD	AMR7097
16	BACK COVER	AAK7208	66	SCREW	BPZ30P080FMC
17	DOOR SPRING L	ABH7084	67	SCREW	VPZ30P100FZK
18	DOOR SPRING R	ABH7085	68	SCREW WITH WASHER	ABA1005
19	CD DOOR SPRING	ABH7086	69	SCREW	BBZ30P080FZK
20	EJ ARM SPRING	ABH7087	70	LINK MOLD	AMR7095
21	DOOR SWITCH SPRING	ABK7005			
22	RUBBER SHEET	AEB1111			
23	CUSHION RUBBER	AEB7038			
24	DOOR SPACER	AEB7040			
25	EJECT ARM (L)	AMR7074			
26	EJECT ARM (R)	AMR7075			
27	LOCK LEVER	AMR7068			
28	PCB HOLDER	AMR7073			
29	HOLD MOLD	AMR7094			
30				
31	DAMPER ASSY	AXA7021			
32	SCREW	BSZ20P120FMC			
33	EJECT SPRING (L)	ABH7102			
34	EJECT SPRING (R)	ABH7103			
35	SPRING	RBK1004			
36	COLLAR	RNK2135			
37	HOOD SPRING	ABH7098			
38	VOLUME KNOB	AAB7069			
39	JOG KNOB	AAB7071			
40	MIC VOLUME KNOB	AAB7070			
41	CONTROL BUTTON A	AAD7237			
42	EJECT BUTTON L	AAD7223			
43	EJECT BUTTON R	AAD7224			
44	CONTROL BUTTON B	AAD7238			
45	OPEN BUTTON	AAD7231			
46	GENRE BUTTON	AAD7239			
47	TIMER BUTTON	AAD7240			
48	FUNCTION BUTTON	AAD7232			
49	P. BASS BUTTON	AAD7241			
50	VOL. LENS	AAK7214			

XR-P560F

1.3 PACKING

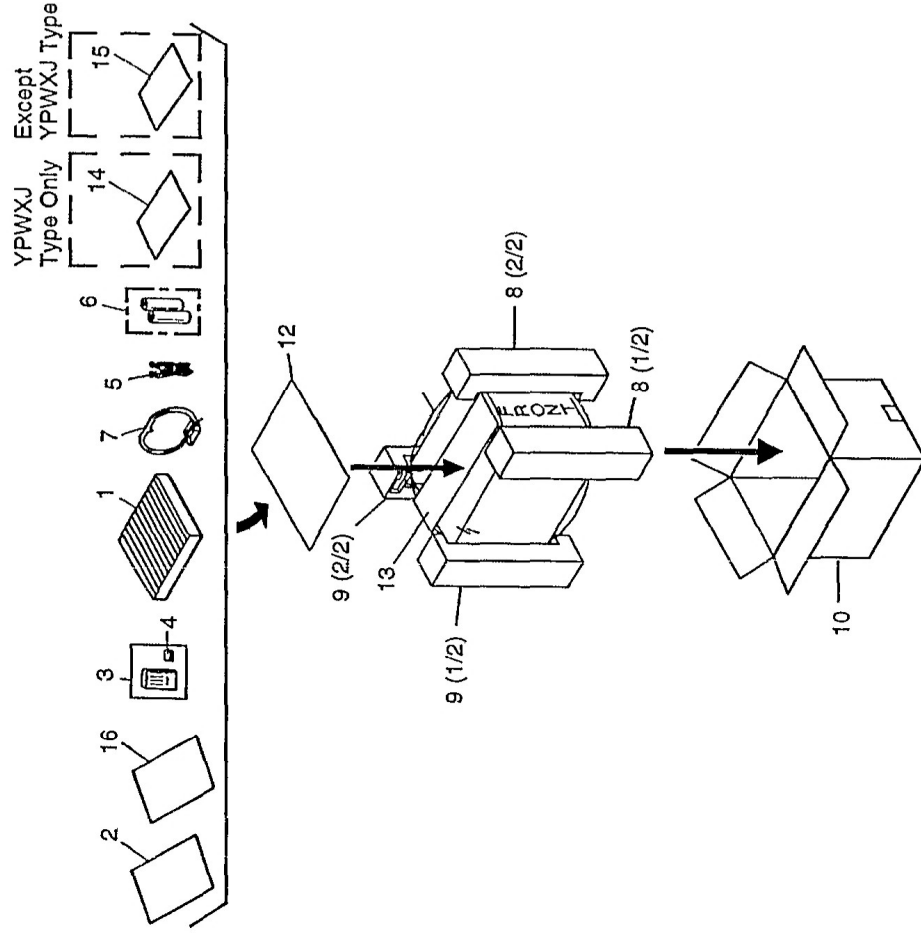
■ Contrast of XR-P560F/DDXJ, DDXJ/NC, DLXJ/NC and YPWXJ

XR-P560F/DDXJ, DDXJ/NC, DLXJ/NC and YPWXJ have the same construction except for the following:

Mark	No.	Description	Part No.				Remarks
			DDXJ type	DDXJ/NC type	DLXJ/NC type	YPWXJ type	
	2	Operating Instructions (English/Spanish/Chinese)	ARC7120	ARC7120	ARC7120	Not used	
	2	Operating Instructions (English)	Not used	Not used	Not used	ARB7072	
	10	Packing Case	AHD7303	AHD7304	AHD7304	AHD7305	
NSP	14	Warranty Card	Not used	Not used	Not used	PRY1003	
NSP	15	Caution Label	ARR7008	ARR7008	ARR7002	Not used	

■ Parts List for XR-P560F/DDXJ

Mark No.	Description	Parts No.	Mark No.	Description	Parts No.
1	CD CASE RACK	AMR7072	8	FRONT PAD LR	AHA7096
2	OPERATING INSTRUCTIONS (English/Spanish/Chinese)	ARC7120	9	REAR PAD LR	AHA7097
3	REMOTE CONTROL UNIT (CU-XR020)	AXD7068	10	PACKING CASE	AHD7303
4	BATTERY COVER	AZA7050	11	PACKING SHEET	AHG7003
5	FM ANTENNA	ADH1016	12	POLY. BAG	AHG7032
			13	CAUTION CARTON	AHD7288
NSP	6 BATTERY (R03, AAA)	VEM-022	14	
7	LOOP ANTENNA	ATB7004	15	CAUTION LABEL	ARR7008
			16	CAUTION CARD	ARM7015



2. CONTRAST TABLE OF ELECTRICAL PARTS

NOTES :

- Parts marked by "NSP" are generally unavailable because they are not in our Master Spare Parts List.
- The Δ mark found on some component parts indicates the importance of the safety factor of the part. Therefore, when replacing, be sure to use parts of identical designation.
- Parts marked by "☉" are not always kept in stock. Their delivery time may be longer than usual or they may be unavailable.
- When ordering resistors, first convert resistance values into code form as shown in the following examples.

Ex. 1 When there are 2 effective digits (any digit apart from 0), such as 560 ohm and 47k ohm (tolerance is shown by J = 5%, and K = 10%).

560 Ω \rightarrow 56 x 10¹ = 561 RD14PU $\boxed{5}$ $\boxed{6}$ $\boxed{1}$ J

47k Ω \rightarrow 47 x 10³ = 473 RDI4PU $\boxed{4}$ $\boxed{7}$ $\boxed{3}$ J

0.5 Ω \rightarrow 0R5 RN2H $\boxed{0}$ \boxed{R} $\boxed{5}$ K

1 Ω \rightarrow 1R0 RSIP $\boxed{1}$ \boxed{R} $\boxed{0}$ K

Ex. 2 When there are 3 effective digits (such as in high precision metal film resistors).

5.62k Ω \rightarrow 562 x 10¹ = 5621 RNI4PC $\boxed{5}$ $\boxed{6}$ $\boxed{2}$ $\boxed{1}$ F

LIST OF WHOLE PCB ASSEMBLIES

Mark	Symbol & Description	Part No.			Remarks
		XR-P760F/DD	XR-P560F/DDXJ, DDXJ/NC, DLXJ/NC	XR-P560F/YPWXJ	
NSP	MAIN ASSY	AWK7208	AWK7217	AWK7218	
	— AF ASSY	AWZ7846	AWZ7846	AWZ7846	
	— VOL ASSY	AWZ7907	AWZ7910	AWZ7910	
	— SECONDARY ASSY	AWZ7863	AWZ7863	AWZ7864	
	— TX CONNECT ASSY	AWZ8176	AWZ8176	AWZ8176	
NSP	COMPLEX ASSY	AWM7160	AWM7168	AWM7167	
	— DISPLAY ASSY	AWZ7871	AWZ7876	AWZ7876	
	— OPERATION-A ASSY	AWZ7881	AWZ7920	AWZ7920	
	— DOOR SW ASSY	AWZ7887	AWZ7887	AWZ7887	
	— JOG ASSY	AWZ7888	AWZ7888	AWZ7888	
	— CD ASSY	AWZ7889	AWZ7895	AWZ7895	
	— DECK RELAY ASSY	AWZ7902	AWZ7902	AWZ7902	
	— OPERATION-B ASSY	AWZ7911	Not used	Not used	
	— OPERATION-B ASSY	Not used	AWZ7912	AWZ7912	
	— HEADPHONE ASSY	AWZ7915	AWZ7915	AWZ7915	
NSP	— HOME SW ASSY	AWZ7917	AWZ7917	AWZ7917	
	— PRIMARY ASSY	AWZ7899	AWZ7899	AWZ7900	
NSP	FM/AM TUNER MODULE	AXQ4012	AXQ3112 *1	AXQ3112 *1	
	POWER AMP MODULE	AXQ7017	AXQ7017	AXQ7017	
	— FRONT 100W ASSY	AWZ7518	AWZ8209	AWZ8209	
	— REGULATOR ASSY	AWZ7520	AWZ8210	AWZ8210	
	GM MECHA ASSY	AXA7026	AXA7026	AXA7026	
NSP	— LO MECHANISM BOARD ASSY	AWX7013	AWX7013	AWX7013	
	— MECHA PCB ASSY	AWZ7835	AWZ7835	AWZ7835	
	— SENSOR PCB ASSY	AWZ7836	AWZ7836	AWZ7836	
	— MOTOR PCB ASSY	AWZ7837	AWZ7837	AWZ7837	
	— SW PCB ASSY	AWZ7838	AWZ7838	AWZ7838	
	— SERVO MECHANISM ASSY GM	AXA7028	AXA7028	AXA7028	
	— MECHANISM BOARD ASSY	PWX1192	PWX1192	PWX1192	
NSP	GM SLOT-IN MECHA ASSY	AXA7027	Not used	Not used	
	— SL MECHANISM BOARD ASSY	AWX7014	Not used	Not used	
	— SENSOR BOARD ASSY	AWZ7839	Not used	Not used	
	— LED BOARD ASSY	AWZ7840	Not used	Not used	
	— MOTOR BOARD ASSY	AWZ7841	Not used	Not used	

Notes

*1: Refer to "PCB PARTS LIST" and "3.3 FM/AM TUNER MODULE".

*2: Although AWZ7518 and AWZ8209 are different in part number, they consist of the same components.

*3: Although AWZ7520 and AWZ8210 are different in part number, they consist of the same components.

*4: XR-P560F has not "GM SLOT-IN MECHA ASSY".

XR-P560F

VOL ASSY

AWZ7910 and AWZ7907 have the same construction except for the following:

Mark	Symbol & Description	Part No.		Remarks
		AWZ7907	AWZ7910	
IC1501 R1535, R1536 VR1501 (Variable Resistor)	XRA4558F-P RS1/10S391J ACX7015	NJM4558M-D Not used ACX7023		

SECONDARY ASSY

AWZ7864 and AWZ7863 have the same construction except for the following:

Mark	Symbol & Description	Part No.		Remarks
		AWZ7863	AWZ7864	
△ IC1001 - IC1008	Not used	ICP-N50	*5	

Note *5: Refer to AWZ7864 of XR-P760F in the service manual RRV1429.

DISPLAY ASSY

AWZ7876 and AWZ7871 have the same construction except for the following:

Mark	Symbol & Description	Part No.		Remarks
		AWZ7871	AWZ7876	
D1983	ISS254	Not used		

OPERATION-A ASSY

AWZ7920 and AWZ7881 have the same construction except for the following:

Mark	Symbol & Description	Part No.		Remarks
		AWZ7881	AWZ7920	
IC1702 IC1703 Q1732, Q1733, Q1735 D1732, D1735, D1736 D1734, D1739 S1708, S1716, S1717 S1719, S1720 R1783 R1737 R1732, R1734, R1736 R1731, R1733, R1735	BU4094BCF XRA4558F-P DTC143EK SLR-342MCT31 SLR-342DCT31 ASG1051 Not used RS1/10S000J RD1/6PM181J RD1/6PM271J RD1/8S271J	Not used NJM4558M-D Not used Not used Not used Not used Not used ASG1051 Not used Not used Not used Not used	Refer to "SCH-1F"	

OPERATION-B ASSY

AWZ7912 and AWZ7911 have the same construction except for the following:

Mark	Symbol & Description	Part No.		Remarks
		AWZ7911	AWZ7912	
Q1731 D1731 D1733 D1738 D1742 S1709 S1718 R1773	DTC143EK SLR-342MCT31 SLR-342DCT31 GL1PR21 Not used ASG1051 Not used RS1/10S000J	Not used Not used Not used Not used SLR-342VCT31 Not used ASG1051 Not used	Refer to " SCH-1F " Refer to " SCH-1F "	

CD ASSY

AWZ7895 and AWZ7889 have the same construction except for the following:

Mark	Symbol & Description	Part No.		Remarks
		AWZ7889	AWZ7895	
IC8203 IC8401 D8001, D8002 C8045, C8261 R8031 R8262 - R8266 R8261 R8045 R8267 R8036 - R8038	LA6517 XRA4558F-P ISS254 CKSQYF103Z50 RS1/10S000J RS1/10S104J RS1/10S204J RS1/10S222J RS1/10S470J Not used	Not used NJM4558M-D Not used Not used Not used Not used Not used RS1/10S000J Not used RS1/10S473J	Refer to " SCH-2F "	

PRIMARY ASSY

AWZ7900 and AWZ7899 have the same construction except for the following:

Mark	Symbol & Description	Part No.		Remarks
		AWZ7899	AWZ7900	
Δ Δ	C1101(0.01, μ E/AC250V) C1101(0.01, μ E/AC400V)	ACG7005 Not used	Not used ACG1054	

XR-P560F

PCB PARTS LIST

Mark No.	Description	Parts No.	Mark No.	Description	Parts No.
FM/AM TUNER MODULE (AXQ3112)					
SEMICONDUCTORS					
IC6201		LA1836M	C6235		CKSQYF224Z25
IC6202		LM7001J	C6225, C6241, C6266		CKSQYF473Z50
Q6102		2SC2223	C6232		CKSYB333K50
Q6203		2SC2235	C6251		CKSYB472K50
Q6202		2SC2712	C6223		CKSYF103Z50
Q6103, Q6214		2SC2714	C6263		CKSYF473Z50
Q6201		2SK208	RESISTORS		
Q6104		2SK302	VR6201 (10kΩ)		ACP1056
Q6101		3SK194	VR6202		VRTB6VS223
Q6204		XDA124EK	R6299, R6300		RDJ/4PU102J
Q6217		XDC124EK	R6113, R6116, R6118, R6268--R6271		RS1/8S000J
D6101, D6102		1T33	R6275, R6276, R6278, R6288, R6284		RS1/8S000J
COILS AND FILTERS					
L6104		ATC1003	R6290, R6293, R6294, R6297		RS1/8S000J
L6101		ATC1020	R6243, R6244		RS1/8S101J
L6102		ATC1021	R6211		RS1/8S103J
T6101		ATE-063	R6237		RS1/8S182J
L6207 (10.7MHz)		ATE1013	R6209		RS1/8S221J
F6203, F6204		ATF-119	R6239		RS1/8S332J
F6101		ATF-155	R6101		RS1/8S470J
F6202 (450kHz)		ATF1155	Other Resistors		RS1/10S□□□J
L6103 (2.2 μH)		ATH1043	OTHERS		
L6202, L6203, L6208		LCTA2R2J3225	BN6201	TERMINAL 4-P	AKA1016
CAPACITORS					
C6202, C6234, C6236 (1 μF/16V)		ACG1051	X6203 (7.200MHz)		ASS1042
C6107		CCSCH010C50	X6201 (456kHz)		ASS1066
C6229		CCSCH21J50	X6202 (450kHz)	AM RF TUNING BLOCK	ATF1027
C6110		CCSQCH020C50	CN6201	14P SOCKET	AXX1025
C6101		CCSQCH050C50			KP200IA14L
C6108, C6203, C6268		CCSQCH101J50			
C6111, C6116, C6208, C6221, C6222		CCSQCH150J50			
C6115		CCSQCH330J50			
C6114		CCSQRH080D50			
C6113		CCSQRH180J50			
C6105		CCSQTH150J50			
C6261		CEAS010M50			
C6224, C6246, C6262		CEAS100M50			
C6227		CEAS101M10			
C6216, C6217		CEAS330M16			
C6231, C6233		CEAS3R3M50			
C6219		CEAS470M10			
C6243--C6245		CEAS470M16			
C6238		CEJA100M16			
C6249, C6250		CEJA4R7M35			
C6215		CFTXA103J50			
C6214		CFTXA224J50			
C6103, C6106, C6112, C6204		CKSQYB102K50			
C6102, C6109, C6117, C6210, C6264		CKSQYB103K50			
C6213		CKSQYB223K50			
C6230		CKSQYB333K50			
C6228, C6252		CKSQYB472K50			
C6209, C6237, C6265, C6267		CKSQYB473K50			
C6212, C6218		CKSQYF103Z50			
C6220, C6226, C6239, C6242, C6255		CKSQYF223Z50			

3. SCHEMATIC AND PCB DIAGRAMS

NOTE FOR SCHEMATIC DIAGRAMS (TYPE 1A)

1. When ordering service parts, be sure to refer to "PARTS LIST of EXPLODED VIEWS" or "PCB PARTS LIST".

2. Since these are basic circuits, some parts of them or the values of some components may be changed for improvement.

3. RESISTORS:

Unit: k:k Ω , M:M Ω , or Ω unless otherwise noted.

Rated power: 1/4W, 1/6W, 1/8W, 1/10W unless otherwise noted.

Tolerance: (F): $\pm 1\%$, (G): $\pm 2\%$, (K): $\pm 10\%$, (M): $\pm 20\%$ or $\pm 5\%$ unless otherwise noted.

4. CAPACITORS:

Unit: p:pF or μ F unless otherwise noted.

Ratings: capacitor (μ F) / voltage (V) unless otherwise noted.

Rated voltage: 50V except for electrolytic capacitors.

5. COILS:

Unit: m:mH or μ H unless otherwise noted.

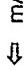
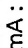
6. VOLTAGE AND CURRENT:

 : Signal voltage at rated output.

or  \leftarrow V :

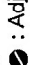
DC voltage (V) at no input signal unless otherwise noted.

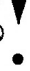
Value in () is DC voltage at rated power.

 mA or  mA :

DC current at no input signal unless otherwise noted.

7. OTHERS:

 or  : Adjusting point.

 : Measurement point.

• The Δ mark found on some component parts indicates the importance of the safety factor of the parts. Therefore, when replacing, be sure to use parts of identical designation.

8. SCH-□ ON THE SCHEMATIC DIAGRAM:

• SCH-□ indicates the drawing number of the schematic diagram. (SCH stands for schematic diagram.)

9. SWITCHES (Underline indicates switch position):

DISPLAY ASSY

S1901 : STATION MEMORY

S1902 : TITLE INPUT

S1903 : 21-25

S1904 : 16-20

S1905 : 11-15

S1907 : 1-5

S1908 : TIMER REC / WAKU-UP

S1909 : DISPLAY / CLOCK ADJ

S1910 : TAPE I/ II

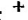
S1911 : CD


S1912 : MD / CD II

S1913 : FM / AM

OPERATION-A ASSY

S1703 : STOP


S1704 :  \blacktriangleright +

S1705 : -  \blacktriangleleft

S1706 : BEST

S1710 : DOLBY NR ON / OFF

S1711 : FREQ / STATION

S1712 :  START \blacktriangleright

S1714 : REC STOP

S1715 : ASES / COPY

S1719 : P. BASS (DEMO)

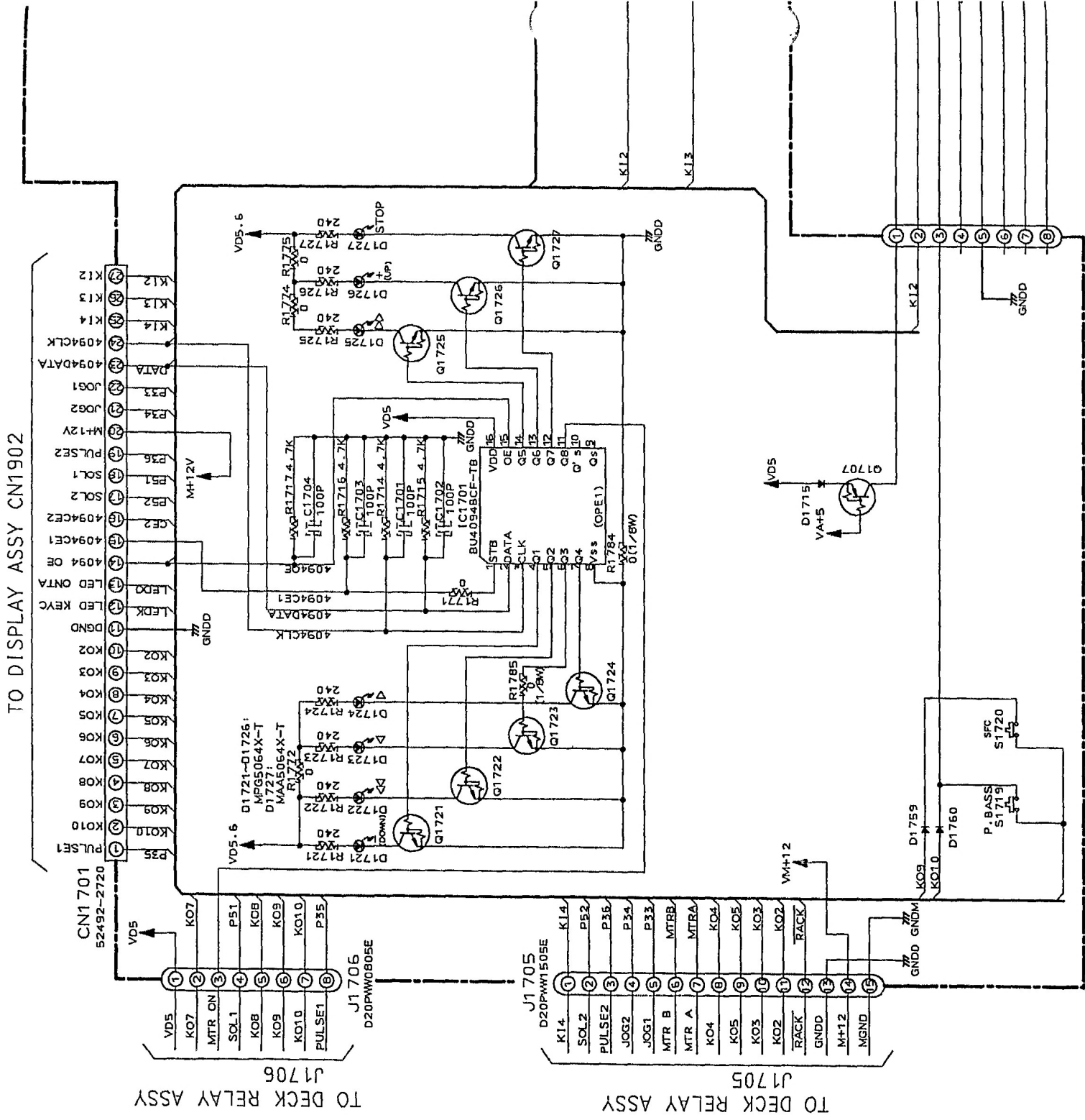
S1720 : SFC / KARAOKE

OPERATION-B ASSY

S1718 : POWER STANDBY / ON

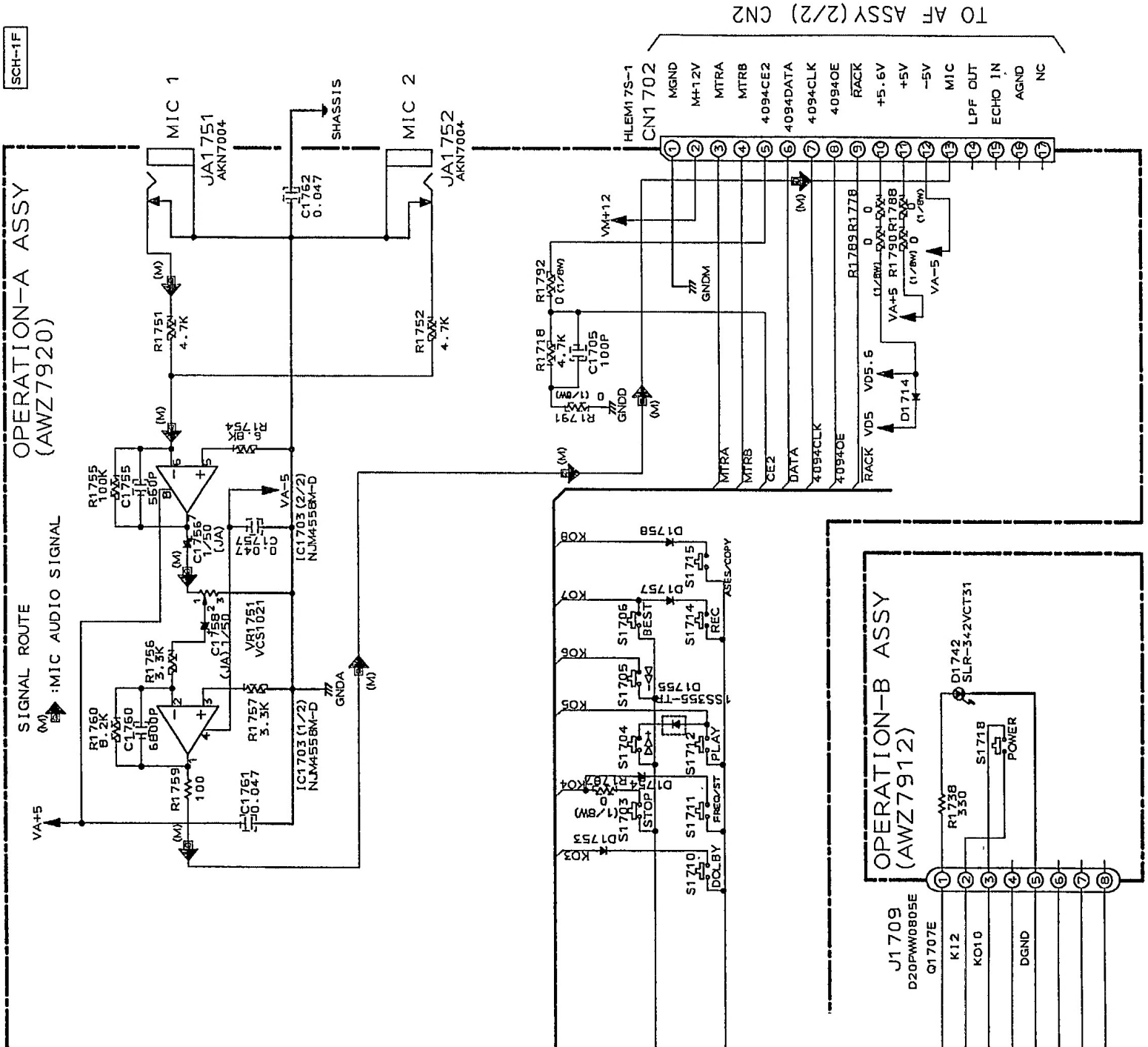
XR-P560F

3.1 OPERATION-A ASSY AND OPERATION-B ASSY



SCH-1F

SCH-1F



SCH-1F

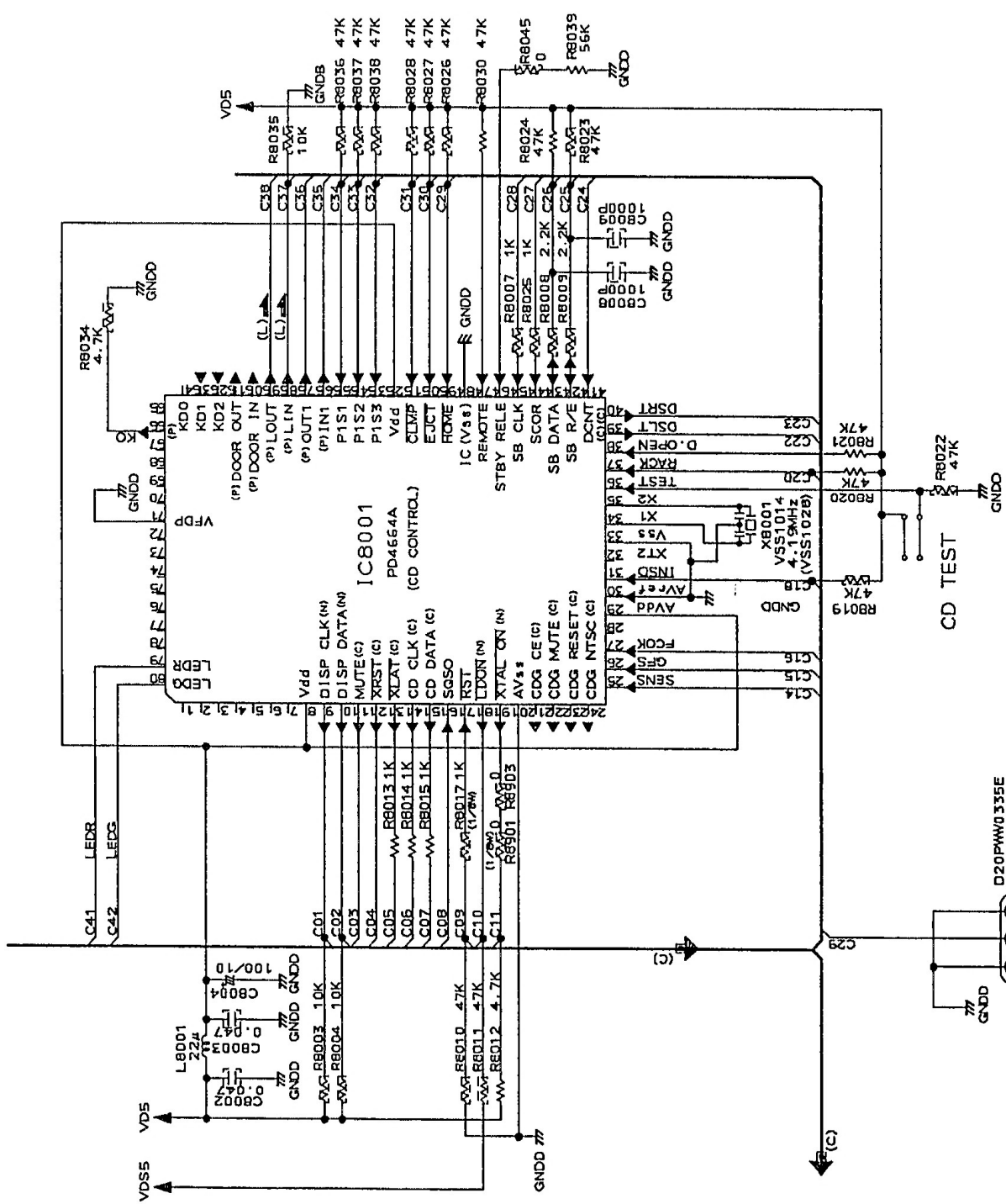
XR-P560F

3.2 CD ASSY

Note: For CD assy, only the differences between AWZ7895 and AWZ7889 are shown.

SCH-2F

CD ASSY (AWZ7895)



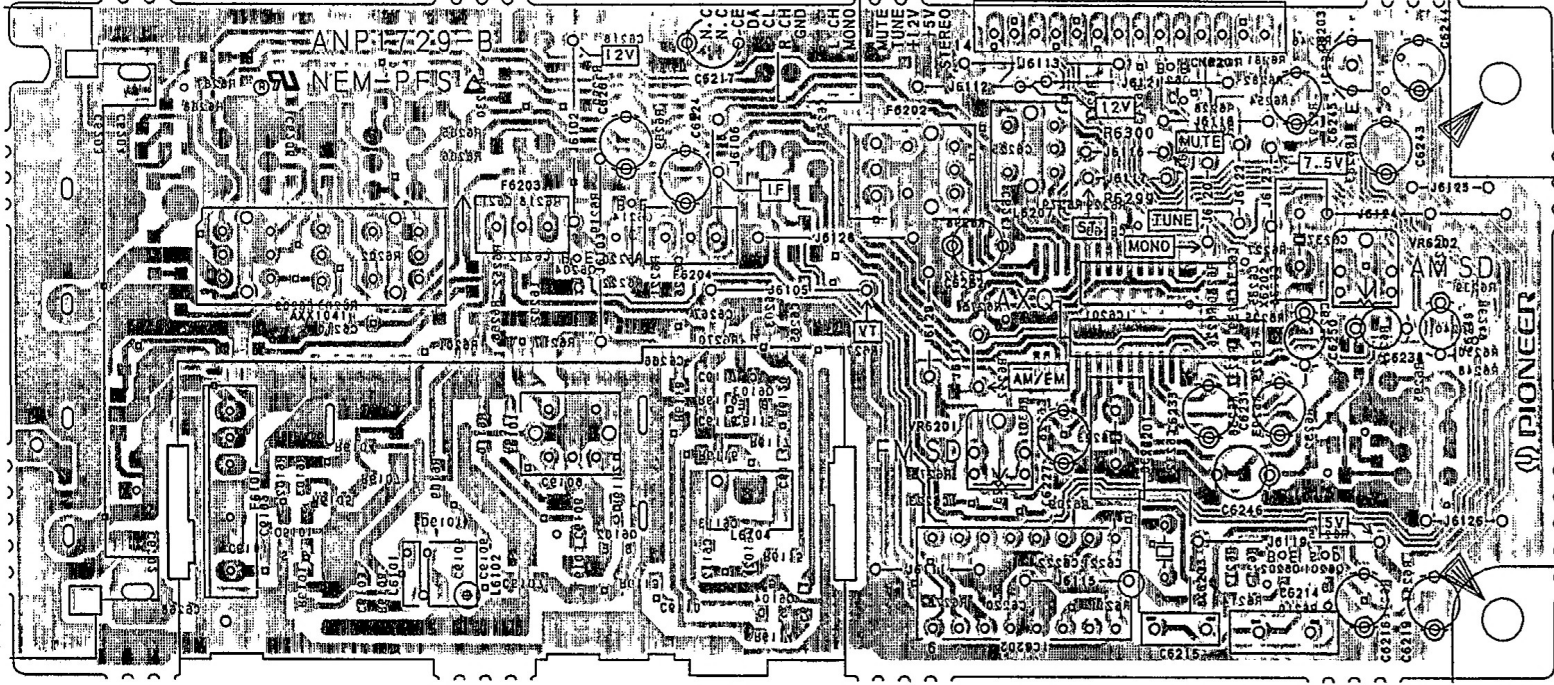
SCH-2F

CD ASSY

PCB-1F

3.3 FM/AM TUNER MODULE

FM/AM TUNER MODULE



Q6101

Q6204
Q6102
Q6214

Q6103
Q6104

IC6202

IC6201
Q6217

Q6202
Q6201
Q6203

VR6201

VR6202

NOTE FOR PCB DIAGRAMS:

1. Part numbers in PCB diagrams match those in the schematic diagrams.
2. A comparison between the main parts of PCB and schematic diagrams is shown below.

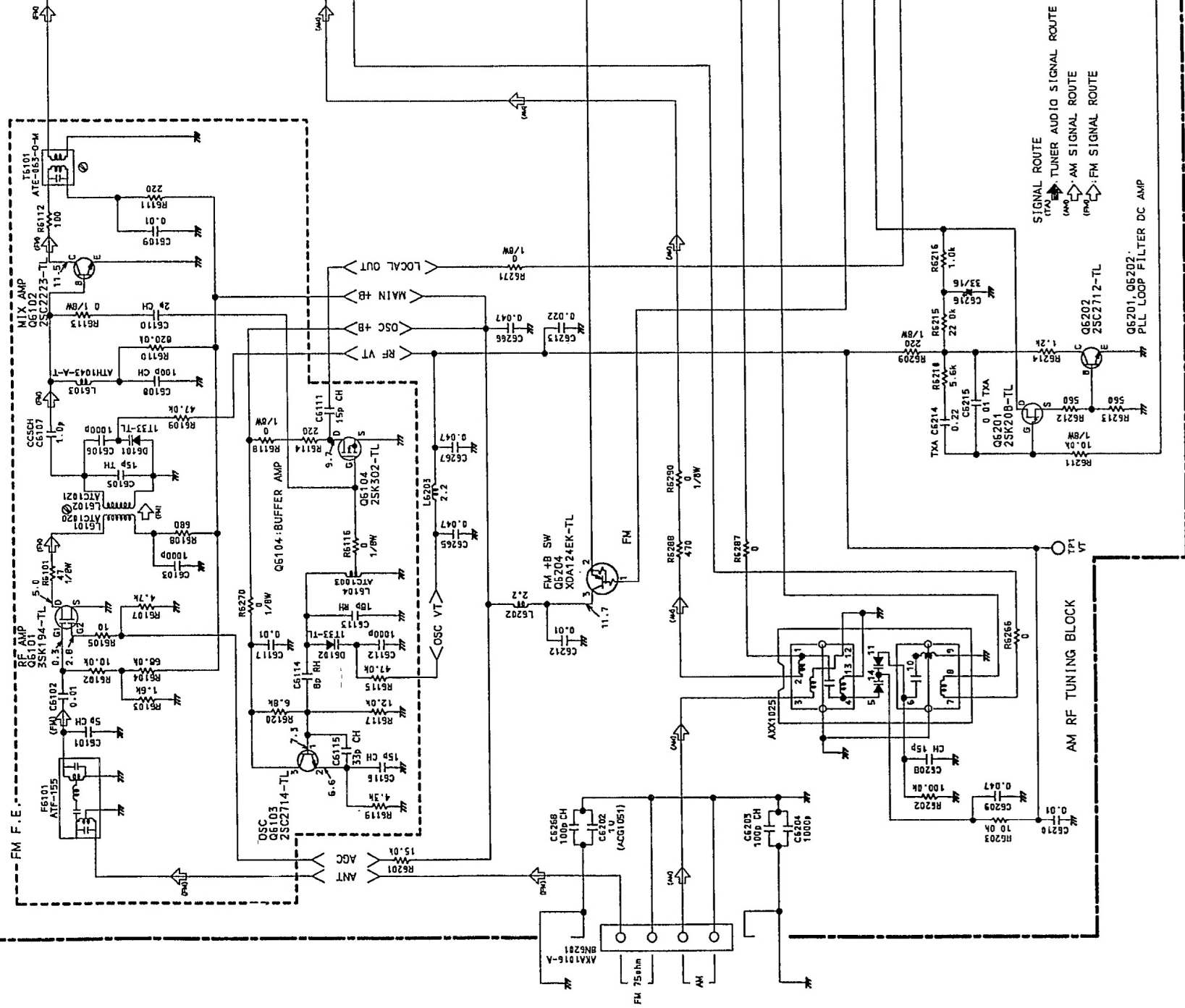
Symbol in PCB Diagrams	Symbol in Schematic Diagrams	Part Name
 Q504	 Q504	Transistor
 D203	 D203	Diode
 C513	 C513	Capacitor (Polarized)

3. The transistor terminal marked with E or C shows the emitter.
4. The diode terminal marked with @ or C shows cathode side.
5. The capacitor terminal marked with @ or C shows negative terminal.

- This diagram is viewed from the mounted parts side.

XR-P560F

FM/AM TUNER MODULE (AXQ3112)



SCH-3F

FM/AM TUNER MODULE

NOTE: VOLTAGE AND CURRENT

\square mV \square Signal voltage at FM 1kHz, 100% MOD.

\square or \leftarrow V.

DC voltage (V) at no input signal unless otherwise noted.
Value in () is DC voltage at rated power.

\leftarrow mA or \leftarrow mA.

DC current at no input signal unless otherwise noted.

