

Service Manual

ORDER NO.
RRV2532

STEREO CD/VCD CASSETTE DECK RECEIVER

XR-VS200

THIS MANUAL IS APPLICABLE TO THE FOLLOWING MODEL(S) AND TYPE(S).

Type	Model	Power Requirement	The voltage can be converted by the following method.
	XR-VS200		
DXJN/NC	○	AC110-127V/220-230V/240V	With the voltage selector

● This service manual should be used together with the following manual(s):

Model No.	Order No.	Remarks
XR-VS70SW/DBDXJ	RRV2364	

2. CONTRAST OF MISCELLANEOUS PARTS

NOTES: ● Parts marked by "NSP" are generally unavailable because they are not in our Master Spare Parts List.

● The Δ mark found on some component parts indicates the importance of the safety factor of the part.

Therefore, when replacing, be sure to use parts of identical designation.

● Screws adjacent to \blacktriangledown mark on product are used for disassembly.

● Reference Nos. indicate the pages and Nos. in the service manual for the base model.

● When ordering resistors, first convert resistance values into code form as shown in the following examples.

Ex.1 When there are 2 effective digits (any digit apart from 0), such as 560 ohm and 47k ohm (tolerance is shown by J=5%, and K=10%).

560	→	56 x 10 ¹	→	561	RD1/4PU	$\boxed{5}$ $\boxed{6}$ $\boxed{1}$ J
47k	→	47 x 10 ³	→	473	RD1/4PU	$\boxed{4}$ $\boxed{7}$ $\boxed{3}$ J
0.5	→	R50			RN2H	\boxed{R} $\boxed{5}$ $\boxed{0}$ K
1	→	1R0			RS1P	\boxed{T} \boxed{R} $\boxed{0}$ K

Ex.2 When there are 3 effective digits (such as in high precision metal film resistors).

5.62k	→	562 x 10 ¹	→	5621	RN1/4PC	$\boxed{5}$ $\boxed{6}$ $\boxed{2}$ $\boxed{1}$ F
-------	---	-----------------------	---	------	-------	---------	---------------------------------------------------

■ CONTRAST TABLE

XR-VS200/DXJN/NC and XR-VS70SW/DBDXJ are constructed the same except for the following :

Ref. No.	Mark	Symbol and Description	Part No.		Remarks
			XR-VS70SW /DBDXJ	XR-VS200 /DXJN/NC	
PCB ASSEMBLIES					
P5- 3		COMPLEX ASSY	XWM3160	AWM7611	
P7- 1		├ PRIMARY ASSY	XWZ3291	AWU7965	
		└ DISPLAY ASSY	XWZ3302	AWU7795	
P5- 4		FM/AM TUNER Module	AXQ7062	AXQ7065	*1
PACKING SECTION					
P3- 1	Δ	Power Cord	ADG1158	ADG1154	
P3- 8		Front Pad	XHA3018	XHA3028	
P3- 9		Rear Pad	XHA3019	XHA3029	
P3-10		Packing Case	XHD3124	XHD3270	
P3-12		Operating Instructions (English/Chinese/Spanish)	XRE3034	Not used	
P3-12		Operating Instructions (Thai)	Not used	XRC3047	
P3-14		SW Wire Antenna	ADH7006	Not used	
		Caution Sheet	XRH3003	Not used	
EXTERIOR SECTION					
P5-11		Tray Cap	XAK3156	XAK3236	
		Tray Panel CD	Not used	XAK3269	
P5-15		Rear Panel	XNC3057	XNC3133	
P5-26	NSP	Tray Cap Assy	XXG3046	Not used	
P5-31		Caution Label	Not used	PRW1018	
P5-36	NSP	Getter	XAX3168	XAX3264	
P5-44		Barrier	XEC3013	XEC3027	
		Rear Sheet	AED7037	Not used	
	NSP	Name Label	XAL3045	XAL3097	
FRONT PANEL SECTION					
P7-18		Volume Knob	XAA3013	XAA3022	
P7-21		FUNC Button L	XAD3078	XAD3116	No.8
		FUNC Cap L	Not used	XAK3247	No.7
P7-22		FUNC Button R	XAD3079	XAD3117	No.10
		FUNC Cap R	Not used	XAK3248	No.9
P7-23		FUNC Frame L	XAD3052	Not used	
P7-24		FUNC Frame R	XAD3053	Not used	
P7-25		CD ENT Button	XAD3055	XAD3109	No.12
P7-26		Display Panel	XAK3129	XAK3317	
P7-27		EQ Panel	XAK3149	Not used	

Ref. No.	Mark	Symbol and Description	Part No.		Remarks
			XR-VS70SW /DBDXJ	XR-VS200 /DXJN/NC	
P7-28 P7-29 P7-33		SC Panel	Not used	XAK3268	No.26
		SC Panel Assy	Not used	XXG3090	No.13
		JOG Lens	XAK3152	XAK3243	No.23
P7-34 P7-35		V Lens	XAK3153	XAK3313	
		FL Cover	XAK3163	XAK3239	
P7-36 P7-37		Cover Sheet L	XAK3184	Not used	
		Cover Sheet R	XAK3185	Not used	
		LED Barrier	Not used	XEC3022	No.24
P7-38		Power Button	XAD3043	XAD3102	No.17
		CD Button	XAD3045	XAD3104	No.19
P7-39		SC Button	XAD3060	Not used	
		SC Button L	Not used	XAD3105	No.29
		SC Cap L	Not used	XAK3241	No.27
		SC Button R	Not used	XAD3106	No.30
		SC Cap R	Not used	XAK3267	No.28
		ASES Button	Not used	XAD3114	No.20
P7-40		Timer Button	Not used	XAD3115	No.21
		SC Button L	XAD3047	Not used	
		Audio Button	Not used	XAD3107	No.14
P7-41 P7-42		SC Button R	XAD3049	Not used	
		Visual Button	Not used	XAD3108	No.15
P7-43 P7-44		DOLBY Button	XAD3054	XAD3119	No.11
		Sub Panel	XAK3198	XAK3256	No.6
P7-45 P7-46		Standby Lens	XAK3151	XAK3240	No.18
		Deck Lens L	XAK3159	XAK3249	No.3
P7-47 P7-48		Deck Lens R	XAK3160	XAK3250	No.5
		JOG Conductor	XAK3165	XAK3244	No.22
P7-49		Deck Door_L	XAN3021	XAN3041	No.2
		Deck Door_R	XAN3025	XAN3042	No.4
P7-50 P7-52	NSP	Front Panel	XMB3026	XMB3056	No.1
		O/C Button	Not used	XAD3103	No.16
P7-53 P7-59		Front Panel Assy	XXG3062	XXG3115	
		Spacer	XEB3012	Not used	
P7-60 P7-61		Spacer	XEB3013	Not used	
		Cushion Spacer	XEB3015	Not used	
P7-60 P7-61		Cushion Spacer	XEB3016	Not used	
		Cushion Spacer	XEB3017	Not used	
P7-60 P7-61		Spacer	XEC3014	Not used	
		Spacer	XEC3019	Not used	

Notes : For PCB ASSEMBLIES, Refer to “CONTRAST OF PCB ASSEMBLIES”.

The numbers in the remarks column correspond to the numbers on the “ FRONT PANEL ASSY ”.

*1 Refer to XR-VS70/DLXJ/NC.

■ CONTRAST OF PCB ASSEMBLIES

IF DISPLAY ASSY

AWU7795 and XWZ3302 are constructed the same except for the following :

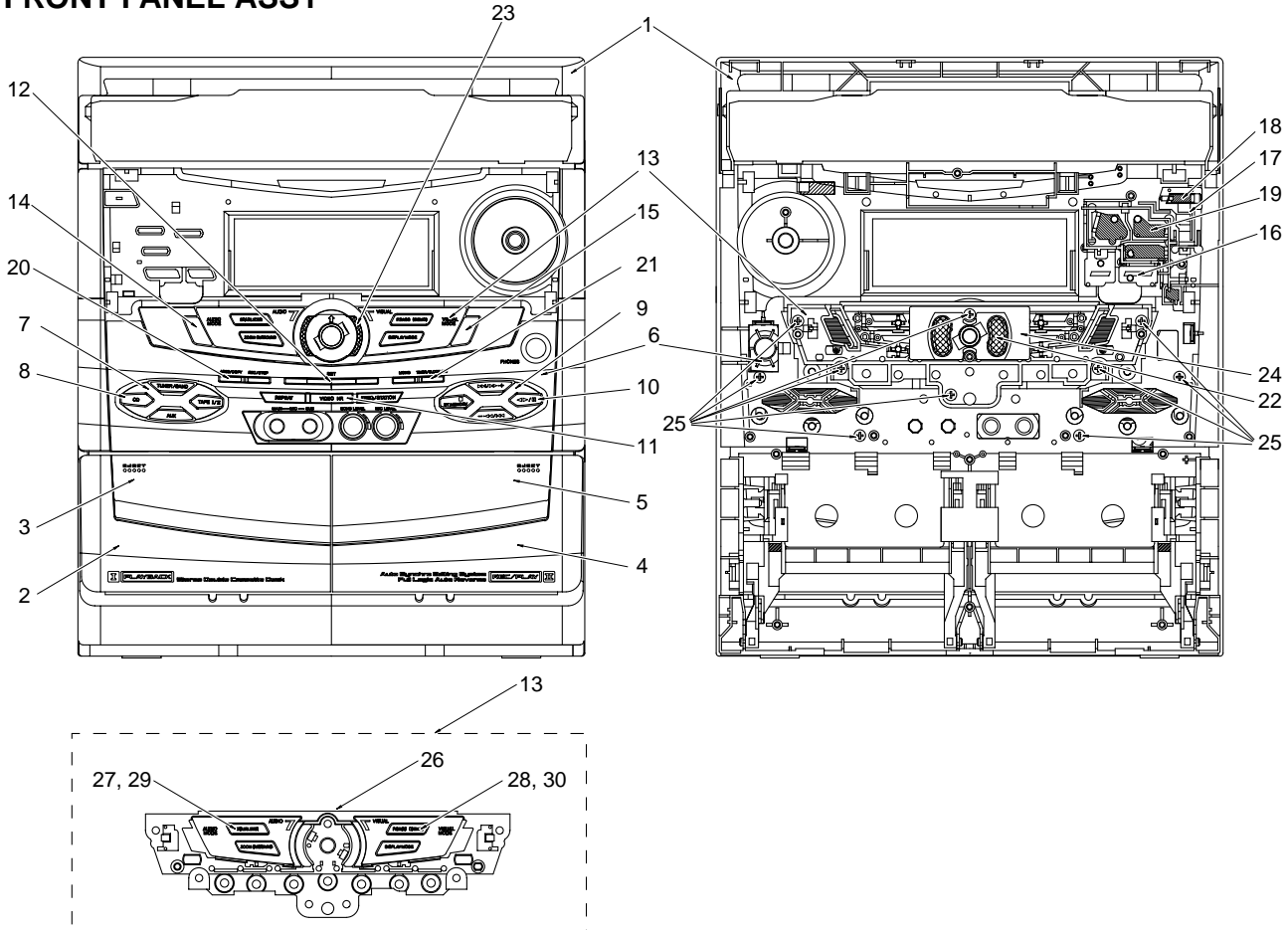
Mark	Symbol and Description	Part No.		Remarks
		XWZ3302	AWU7795	
	D5594	1SS133	Not used	
	D5610, D5611, D5615, D5616, D5904	SLP3118C51H	SLR-343MC(NPQ)	
	D5612, D5614	SLP6118C51H	SLR-343DC(NPQ)	
	D5619, D5620, D5903	SLP9118C51H	SLR-343VC(NPQ)	
	D5902	SLP7118C51H	SLR-343PC(KLM)	
	S5911, S5913, S5915–S5921, S5923–S5929 S5931–S5940	XSG3001 XSG3001	ASG1051 ASG1051	

HF PRIMARY ASSY

AWU7965 and XWZ3291 are constructed the same except for the following :

Mark	Symbol and Description	Part No.		Remarks
		XWZ3291	AWU7965	
L1	LINE FILTER	ATF7018	Not used	

FRONT PANEL ASSY



FRONT PANEL ASSY PARTS LIST

Mark	No.	Description	Part No.	Mark	No.	Description	Part No.
	1	Front Panel	XMB3056		16	O/C Button	XAD3103
	2	Deck Door_L	XAN3041		17	Power Button	XAD3102
	3	Deck Lens L	XAK3249		18	Standby Lens	XAK3240
	4	Deck Door_R	XAN3042		19	CD Button	XAD3104
	5	Deck Lens R	XAK3250		20	ASES Button	XAD3114
	6	Sub Panel	XAK3256		21	Timer Button	XAD3115
	7	FUNC Cap L	XAK3247		22	JOG Conductor	XAK3244
	8	FUNC Button L	XAD3116		23	JOG Lens	XAK3243
	9	FUNC Cap R	XAK3248		24	LED Barrier	XEC3022
	10	FUNC Button R	XAD3117		25	Screw	BPZ30P080FMC
	11	DOLBY Button	XAD3119		26	SC Panel	XAK3268
	12	CD ENT Button	XAD3109		27	SC Cap L	XAK3241
	13	SC Panel Assy	XXG3090		28	SC Cap R	XAK3267
	14	Audio Button	XAD3107		29	SC Button L	XAD3105
	15	Visual Button	XAD3108		30	SC Button R	XAD3106