

Pioneer

Service Manual



XV-BD422B

ORDER NO.
RRV4334

Blu-ray Disc receiver

XV-BD422B

XV-BD122B

XV-BD122FSB

THIS MANUAL IS APPLICABLE TO THE FOLLOWING MODEL(S) AND TYPE(S).

| Model | Type | Power Requirement | DVD Region No. | BD Region No. | Serial No. | Remarks |
|-------------|------|-------------------|----------------|---------------|-------------|------------|
| XV-BD422B | YXE8 | AC 110 V to 240 V | 2 | B | &&&&#####YY | YY: Europe |
| XV-BD422B | VXE8 | AC 110 V to 240 V | 2 | B | &&&&#####GB | GB: U.K |
| XV-BD122B | YXE8 | AC 110 V to 240 V | 2 | B | &&&&#####YY | YY: Europe |
| XV-BD122B | VXE8 | AC 110 V to 240 V | 2 | B | &&&&#####GB | GB: U.K |
| XV-BD122FSB | YXE8 | AC 110 V to 240 V | 2 | B | &&&&#####YY | YY: Europe |



PIONEER CORPORATION 1-1, Shin-ogura, Saiwai-ku, Kawasaki-shi, Kanagawa 212-0031, Japan

PIONEER ELECTRONICS (USA) INC. P.O. Box 1760, Long Beach, CA 90801-1760, U.S.A.

PIONEER EUROPE NV Haven 1087, Keetberglaan 1, 9120 Melsele, Belgium

PIONEER ELECTRONICS ASIACENTRE PTE. LTD. 253 Alexandra Road, #04-01, Singapore 159936

©PIONEER CORPORATION 2012

K-MZV JULY 2012 Printed in Japan

1

2

3

4

SAFETY INFORMATION

A

LASER DIODE CHARACTERISTICS

For BD Wave length : 398 - 412 nm
Output Power : Less than Class 1

For DVD Wave length : 650 - 664 nm
Output Power : Less than Class 1

For CD Wave length : 784 - 796 nm
Output Power : Less than Class 1

B

C

LABEL CHECK

D

The following caution appears on your unit.
Location: inside of the unit

CAUTION: INVISIBLE LASER RADIATION WHEN OPEN
DO NOT STARE INTO BEAM

DANGER: INVISIBLE LASER RADIATION WHEN OPEN
AVOID DIRECT EXPOSURE TO THE BEAM

(Printed on the rear panel)

CLASS 1 LASER PRODUCT
APPAREIL À LASER DE CLASSE 1

E

F

2

1

2

XV-BD422B

3

4

CONTENTS

| | | |
|--|----|---|
| SAFETY INFORMATION | 2 | |
| 1. SERVICE PRECAUTIONS..... | 4 | |
| 1.1 NOTES ON SOLDERING | 4 | A |
| 2. SPECIFICATIONS..... | 5 | |
| 3. BASIC ITEMS FOR SERVICE | 6 | |
| 3.1 CHECK POINTS AFTER SERVICING | 6 | |
| 3.2 JIGS LIST | 6 | |
| 3.3 PCB LOCATIONS | 7 | |
| 4. BLOCK DIAGRAM | 8 | |
| 4.1 OVERALL WIRING DIAGRAM | 8 | |
| 4.2 OVERALL BLOCK DIAGRAM | 10 | |
| 5. DIAGNOSIS | 12 | |
| 5.1 TROUBLESHOOTING..... | 12 | |
| 6. SERVICE MODE..... | 15 | |
| 6.1 SERVICE MODE | 15 | B |
| 7. DISASSEMBLY | 21 | |
| 8. EACH SETTING AND ADJUSTMENT | 28 | |
| 8.1 ADJUSTMENT REQUIRED WHEN THE UNIT IS REPAIRED OR REPLACED..... | 28 | |
| 8.2 UPDATING OF THE FIRMWARE | 30 | |
| 9. EXPLODED VIEWS AND PARTS LIST | 32 | |
| 9.1 PACKING SECTION..... | 32 | |
| 9.2 EXTERIOR SECTION | 34 | |
| 10. SCHEMATIC DIAGRAM..... | 38 | |
| 10.1 MAIN BOARD ASSY (1/13) | 38 | |
| 10.2 MAIN BOARD ASSY (2/13) | 40 | |
| 10.3 MAIN BOARD ASSY (3/13) | 42 | |
| 10.4 MAIN BOARD ASSY (4/13) | 44 | C |
| 10.5 MAIN BOARD ASSY (5/13) | 46 | |
| 10.6 MAIN BOARD ASSY (6/13) | 48 | |
| 10.7 MAIN BOARD ASSY (7/13) | 50 | |
| 10.8 MAIN BOARD ASSY (8/13) | 52 | |
| 10.9 MAIN BOARD ASSY (9/13) | 54 | |
| 10.10 MAIN BOARD ASSY (10/13) | 56 | |
| 10.11 MAIN BOARD ASSY (11/13)..... | 58 | |
| 10.12 MAIN BOARD ASSY (12/13) | 60 | |
| 10.13 MAIN BOARD ASSY (13/13) | 62 | |
| 10.14 FRONT BOARD ASSY | 64 | |
| 10.15 AMP BOARD ASSY (1/3) | 66 | |
| 10.16 AMP BOARD ASSY (2/3) | 68 | D |
| 10.17 AMP BOARD ASSY (3/3) | 70 | |
| 10.18 AV BOARD ASSY | 72 | |
| 10.19 SYSTEM POWER SUPPLY ASSY | 74 | |
| 11. PCB CONNECTION DIAGRAM | 76 | |
| 11.1 MAIN BOARD ASSY..... | 76 | |
| 11.2 FRONT BOARD ASSY | 80 | |
| 11.3 AMP and AV BOARD ASSYS..... | 82 | |
| 11.4 SYSTEM POWER SUPPLY ASSY | 84 | |

1. SERVICE PRECAUTIONS

1.1 NOTES ON SOLDERING

- A • For environmental protection, lead-free solder is used on the printed circuit boards mounted in this unit.
Be sure to use lead-free solder and a soldering iron that can meet specifications for use with lead-free solders for repairs accompanied by reworking of soldering.
- Compared with conventional eutectic solders, lead-free solders have higher melting points, by approximately 40 °C.
Therefore, for lead-free soldering, the tip temperature of a soldering iron must be set to around 373 °C in general, although the temperature depends on the heat capacity of the PC board on which reworking is required and the weight of the tip of the soldering iron.

Do NOT use a soldering iron whose tip temperature cannot be controlled.

- B Compared with eutectic solders, lead-free solders have higher bond strengths but slower wetting times and higher melting temperatures (hard to melt/easy to harden).

The following lead-free solders are available as service parts:

- Parts numbers of lead-free solder:
GYP1006 1.0 in dia.
GYP1007 0.6 in dia.
GYP1008 0.3 in dia.

C

D

E

F

2. SPECIFICATIONS

| General (XV-BD422B/XV-BD122B) | |
|-------------------------------|--|
| Power requirements | AC 110 V to 240 V, 50 Hz/60 Hz |
| Power consumption | 190 W (In Standby mode: Less than 0.5 W) |
| Dimensions (W x H x D) | Approx. 430 mm x 345 mm x 62 mm |
| Net Weight (Approx.) | 3.4 kg |
| Operating temperature | 5 °C to 35 °C |
| Operating humidity | 5 % to 85 % |


| General (XV-BD122FSB) | |
|------------------------|--|
| Power requirements | AC 110 V to 240 V, 50 Hz/60 Hz |
| Power consumption | 105 W (In Standby mode: Less than 0.5 W) |
| Dimensions (W x H x D) | Approx. 430 mm x 345 mm x 62 mm |
| Net Weight (Approx.) | 3.3 kg |
| Operating temperature | 5 °C to 35 °C |
| Operating humidity | 5 % to 85 % |

| Inputs/Outputs | |
|---------------------------|---|
| VIDEO OUT | 1.0 V (p-p), 75 Ω, sync negative, RCA jack x 1 |
| HDMI IN/OUT (video/audio) | 19 pin (HDMI®/™ Connector) |
| ANALOG AUDIO IN | 2.0 Vrms (1 kHz, 0 dB), 600 Ω, RCA jack (L, R) x 1 |
| DIGITAL IN (OPTICAL) | 3 V (p-p), Optical jack x 2 (48 kHz, 96 kHz sampling) |
| PORTABLE IN | 0.5 Vrms (3.5 mm stereo jack) |
| ADAPTER PORT | 5 V, 100 mA |
| MIC | Mic jack x 1 |
| USB | 4 pin A Type x 2 |

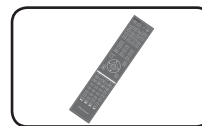
| Tuner | |
|-----------------|-----------------------|
| FM Tuning Range | 87.5 MHz to 108.0 MHz |
| Antenna input | 75 Ω unbalanced |

| Amplifier (XV-BD422B/XV-BD122B) | |
|---------------------------------|-----------------|
| Power output (RMS) THD 30 % | |
| Total | 1100 W |
| Front | 170 W × 2 (4 Ω) |
| Center | 250 W (3 Ω) |
| Rear | 170 W × 2 (4 Ω) |
| Sub-Woofer | 250 W (3 Ω) |

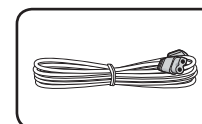
| Amplifier (XV-BD122FSB) | |
|-----------------------------|-----------------|
| Power output (RMS) THD 30 % | |
| Total | 550 W |
| Front | 170 W × 2 (4 Ω) |
| Sub-Woofer | 250 W (3 Ω) |

| System | |
|------------------------|---|
| Laser | Semiconductor laser |
| Signal system | Standard PAL/NTSC colour TV system |
| LAN port | Ethernet jack x 1, 10BASE-T / 100BASE-TX |
| Bus Power Supply (USB) | DC 5 V  500 mA |

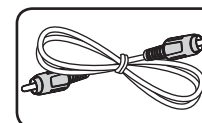
Accessories



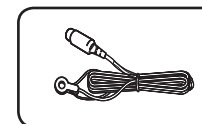
Remote control (AXD7655)
(06-BCS727-A000)



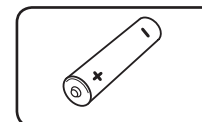
Power cord
(XV-BD422B/YXE8, XV-BD122B/YXE8,
XV-BD122FSB/YXE8: 51-DC0120-0CRA3)
(XV-BD422B/VXE8, XV-BD122B/VXE8
: 51-DC0120-0CRD4)



Video cable
(41-UH1200-0KK1E)



FM antenna
(47-ANT022-XX0)



Battery (x2)

- Warranty card

- Operating instructions
(XV-BD422B/YXE8, XV-BD122B/YXE8,
XV-BD122FSB/YXE8: 72-BD122B-EU0B1)
(XV-BD422B/VXE8, XV-BD122B/VXE8:
72-BD122B-GBR1)

3. BASIC ITEMS FOR SERVICE

3.1 CHECK POINTS AFTER SERVICING

A Items to be checked after servicing

To keep the product quality after servicing, confirm recommended check points shown below.

| No. | Procedure | Check points |
|-----|---|--|
| 1 | Confirm the firmware version on Service mode. | The version of the firmware must be latest. Update firmware to the latest one, if it is not the latest. |
| 2 | Confirm whether the customer complain has been solved. If the customer complain occurs with the specific disc, use it for the operation check. | The customer complain must not be reappeared. Video, audio and operations must be normal. |
| 3 | Check the CD playback. (Track search) | Audio and operations (search etc.) must be normal. |
| 4 | Check the DVD playback. (Operation, Title/Chapter search) | Video, audio and operations (search etc.) must be normal. |
| 5 | Check the BD playback. (Operation, Title/Chapter search) | Video, audio and operations (search etc.) must be normal. |
| 6 | Check the tuner (FM) operations. | Video, audio and operations (search etc.) must be normal. |
| 7 | Check supported file playback by USB memory. | Video, audio and operations must be normal. |
| 8 | Check supported file playback from same network device by LAN connection at Home MEDIA GALLERY . | Video, audio and operations must be normal. |
| 9 | Select [Scan] on [Wireless Setting] and then check access points are displayed on screen. (*) | Correct access point name (SSID) must be displayed. (*) |
| 10 | Check the appearance of the product. | No scratches or dirt on its appearance after receiving it for service. |

(*) Wireless model only (XV-BD121W/122W/222W/421W/422W/921FSW/922FSW/821FSW/ 822FSW/621FSW/521FSW)

See the table below for the items to be checked regarding video and audio.

| Item to be checked regarding video | Item to be checked regarding audio |
|------------------------------------|------------------------------------|
| Block noise | Distortion |
| Horizontal noise | Noise |
| Dot noise | Volume too low |
| Disturbed image (video jumpiness) | Volume too high |
| Too dark | Volume fluctuating |
| Too bright | Sound interrupted |
| Mottled color | |

3.2 JIGS LIST

Jigs List

| Jig Name | Part No. | Remarks |
|-----------------------------|----------|-----------------------------|
| BD Test disc | GGV1368 | Use with "6. SERVICE MODE". |
| Emergency disc ejection rod | GGF1529 | Refer to "7. DISASSEMBLY". |

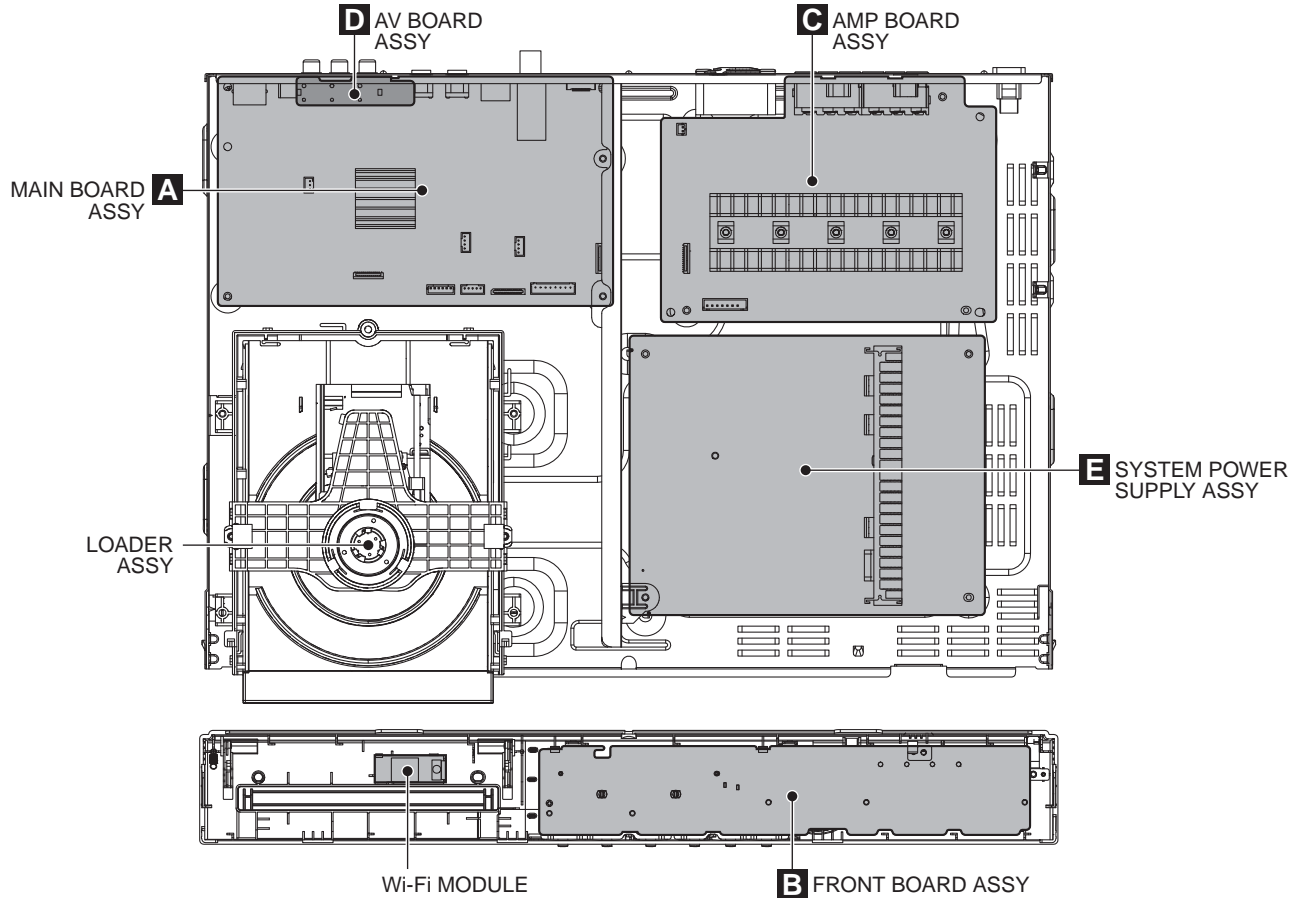
Cleaning



Before shipping out the product, be sure to clean the following positions by using the prescribed cleaning tools.

| Position to be cleaned | Name | Part No. | Remarks |
|------------------------|-----------------|----------|----------------------------------|
| Pickup lenses | Cleaning liquid | GEM1004 | Refer to "7. DISASSEMBLY". |
| | Cleaning paper | GED-008 | |
| Fan | Cleaning paper | GED-008 | Refer to "9.2 EXTERIOR SECTION". |

3.3 PCB LOCATIONS



NOTES: ● Parts marked by “NSP” are generally unavailable because they are not in our Master Spare Parts List.
 ● The \triangle mark found on some component parts indicates the importance of the safety factor of the part.
 Therefore, when replacing, be sure to use parts of identical designation.

| Mark No. | Description | Part No. | Mark No. | Description | Part No. |
|---------------------------|------------------------|--------------------|----------|--------------------------|------------------|
| LIST OF ASSEMBLIES | | | | | |
| 1.. | MAIN BOARD ASSY | 08-H555DU-MA1R/YXV | 1.. | AV BOARD ASSY | AZW7613 |
| 1.. | FRONT BOARD ASSY | 08-BCS727-FVY | 1.. | SYSTEM POWER SUPPLY ASSY | 08-K250HE-PW1 |
| 1.. | AMP BOARD ASSY | AZW7611 | | LOADER ASSY | 08-LTCA19-222026 |
| | (XV-BD422B, XV-BD122B) | | | | |
| 1.. | AMP BOARD ASSY | AZW7612 | | | |
| | (XV-BD122FSB) | | | | |

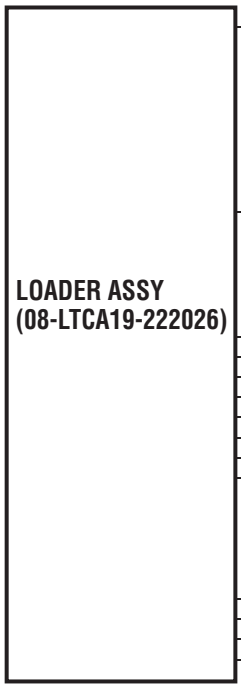
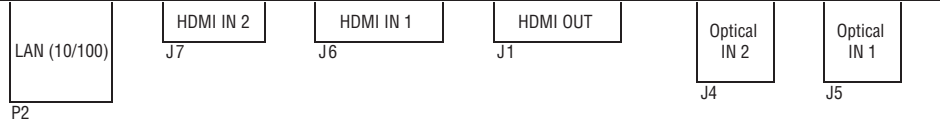
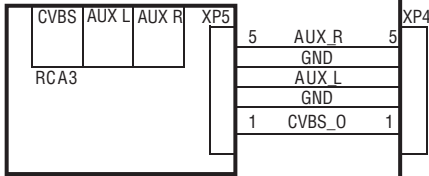
4. BLOCK DIAGRAM

4.1 OVERALL WIRING DIAGRAM

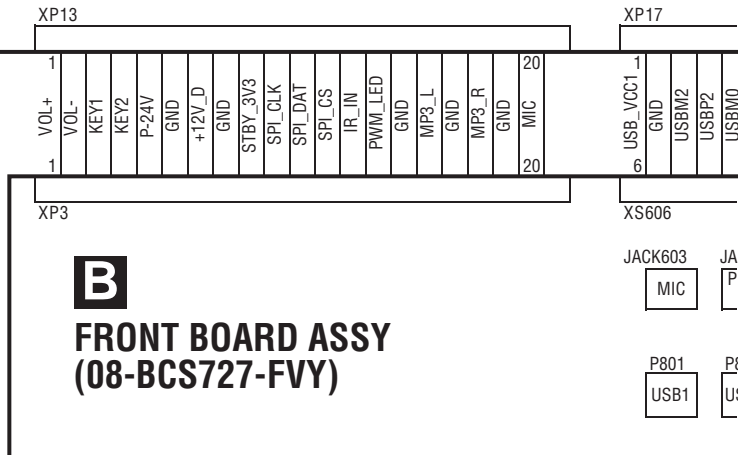
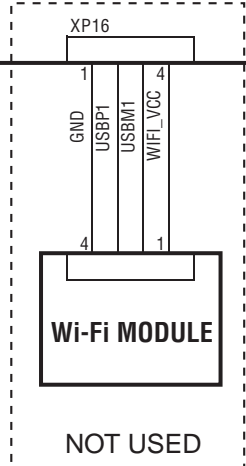
A
B
C
D
E
F

D

AV BOARD ASSY (AZW7613)

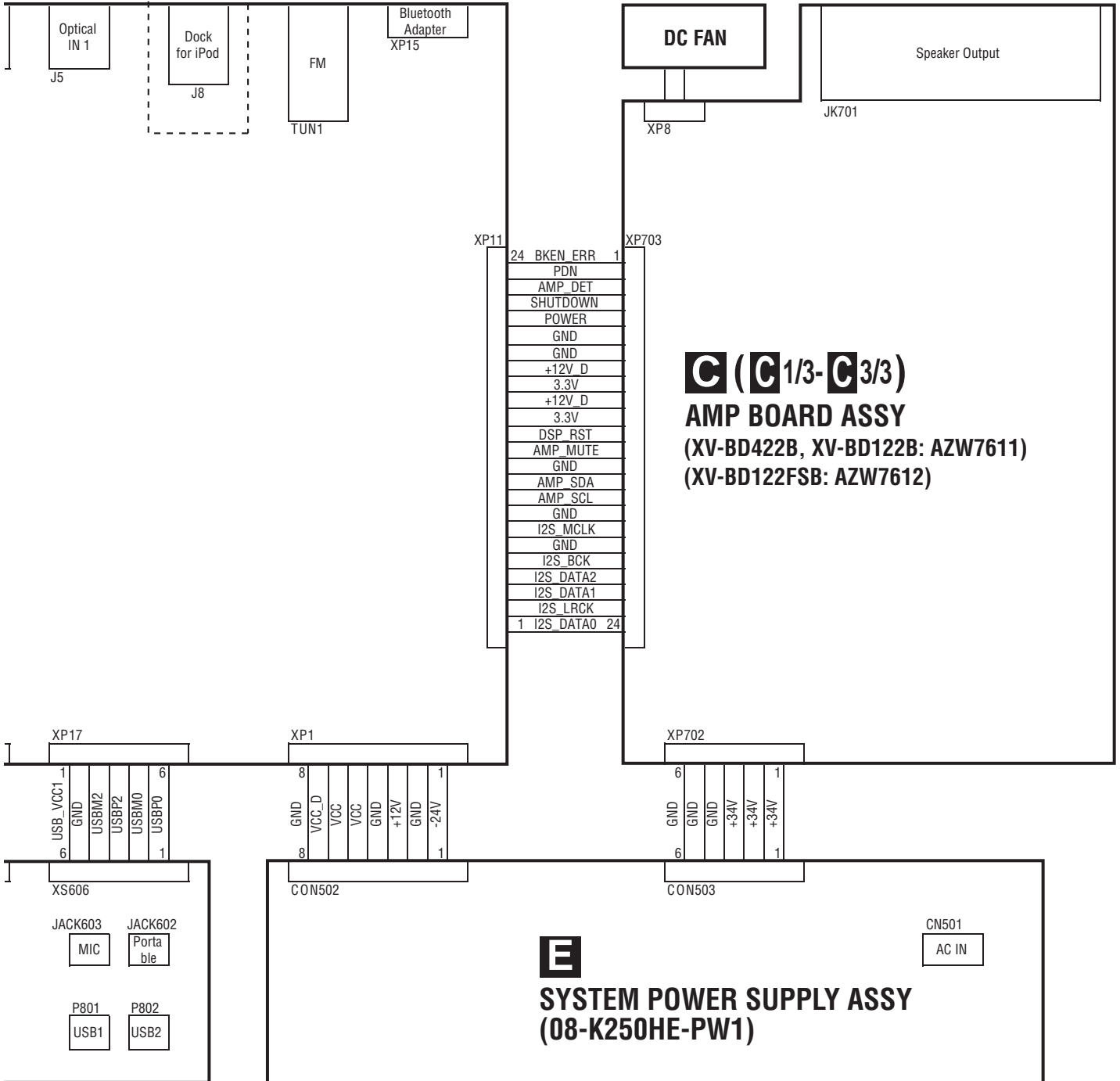


A (A1/13- A13/13)
MAIN BOARD ASSY (08-H555DU-MA1R/YXV)



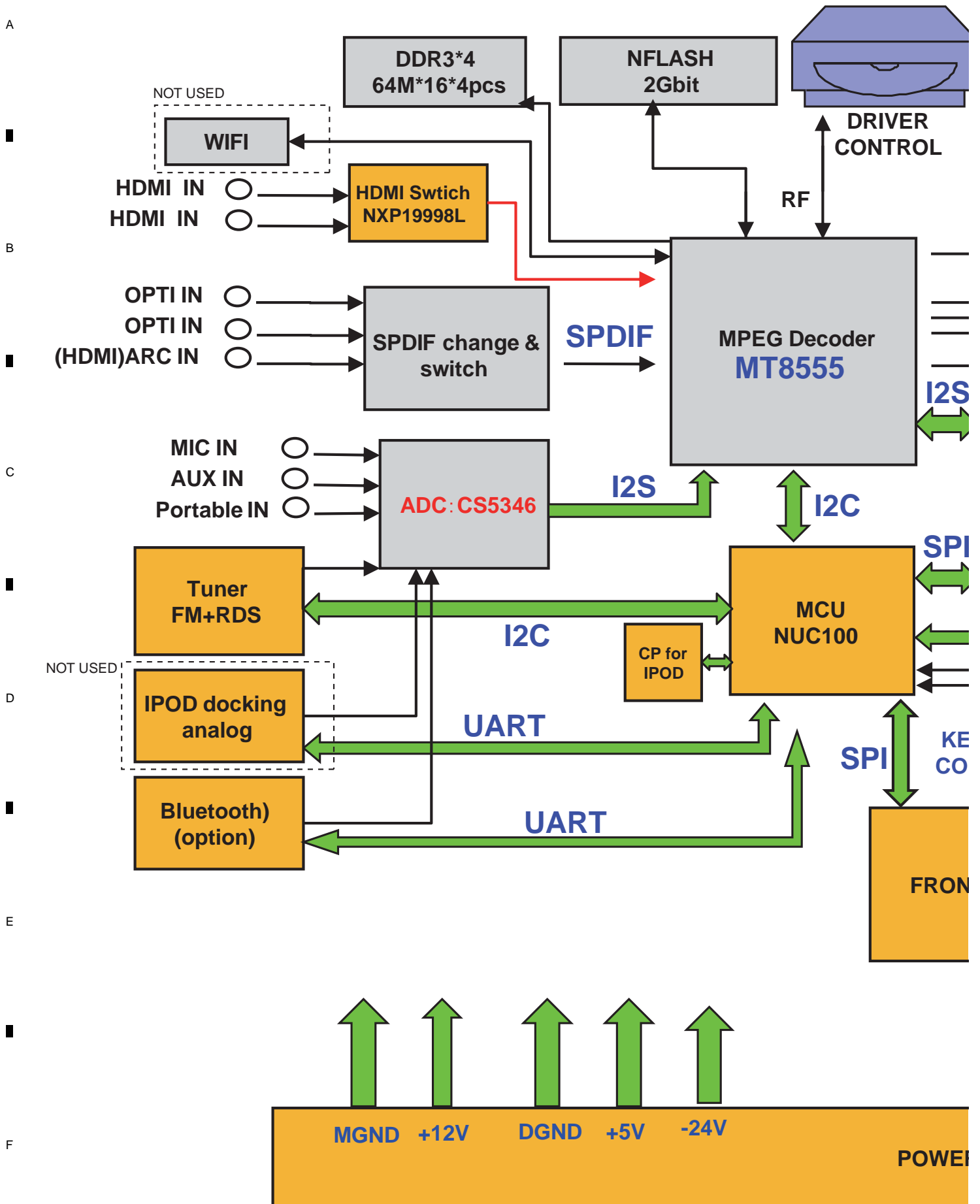
B
FRONT BOARD ASSY (08-BCS727-FVY)

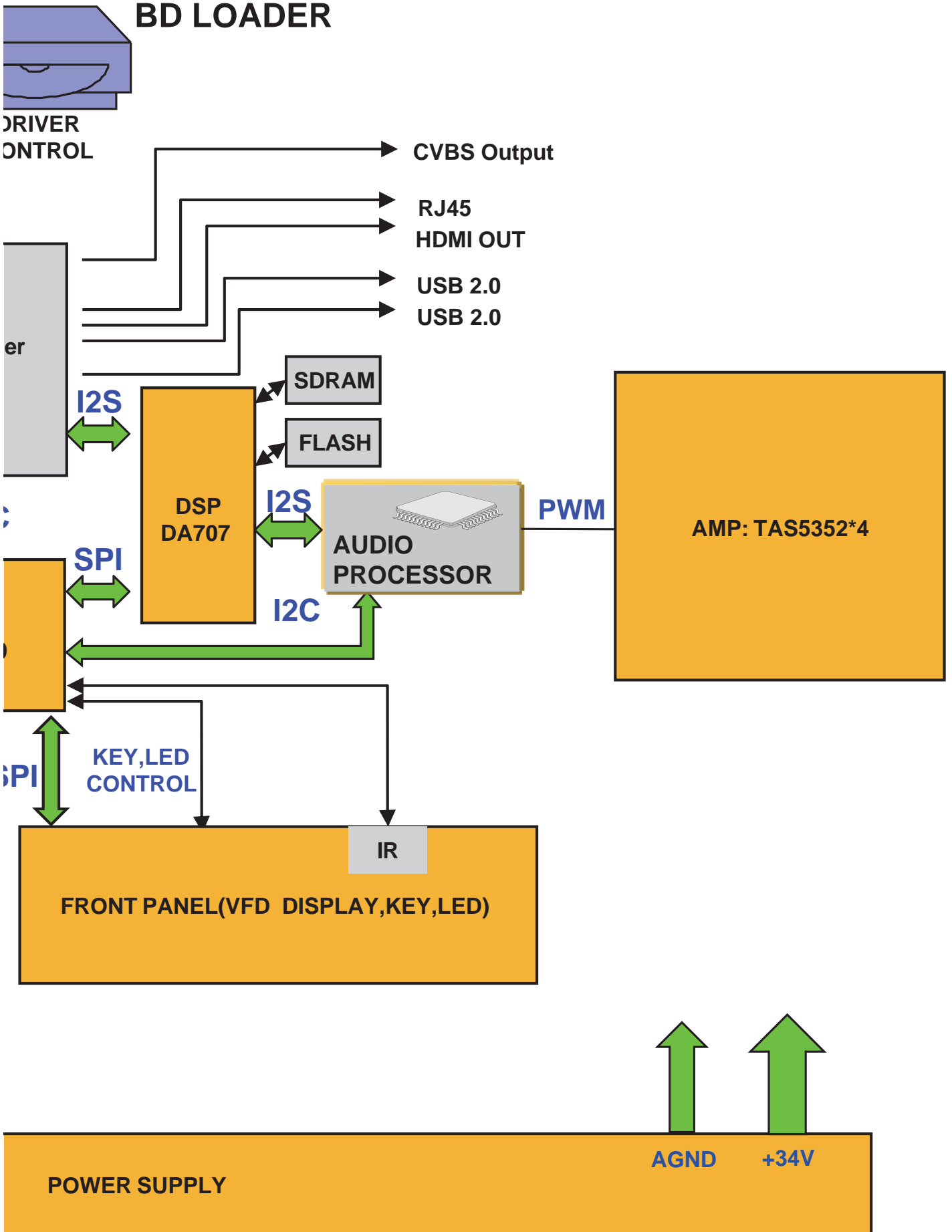
NOT USED



- When ordering service parts, be sure to refer to "EXPLODED VIEWS and PARTS LIST" or "PCB PARTS LIST".
- The Δ mark found on some component parts indicates the importance of the safety factor of the part. Therefore, when replacing, be sure to use parts of identical designation.

4.2 OVERALL BLOCK DIAGRAM



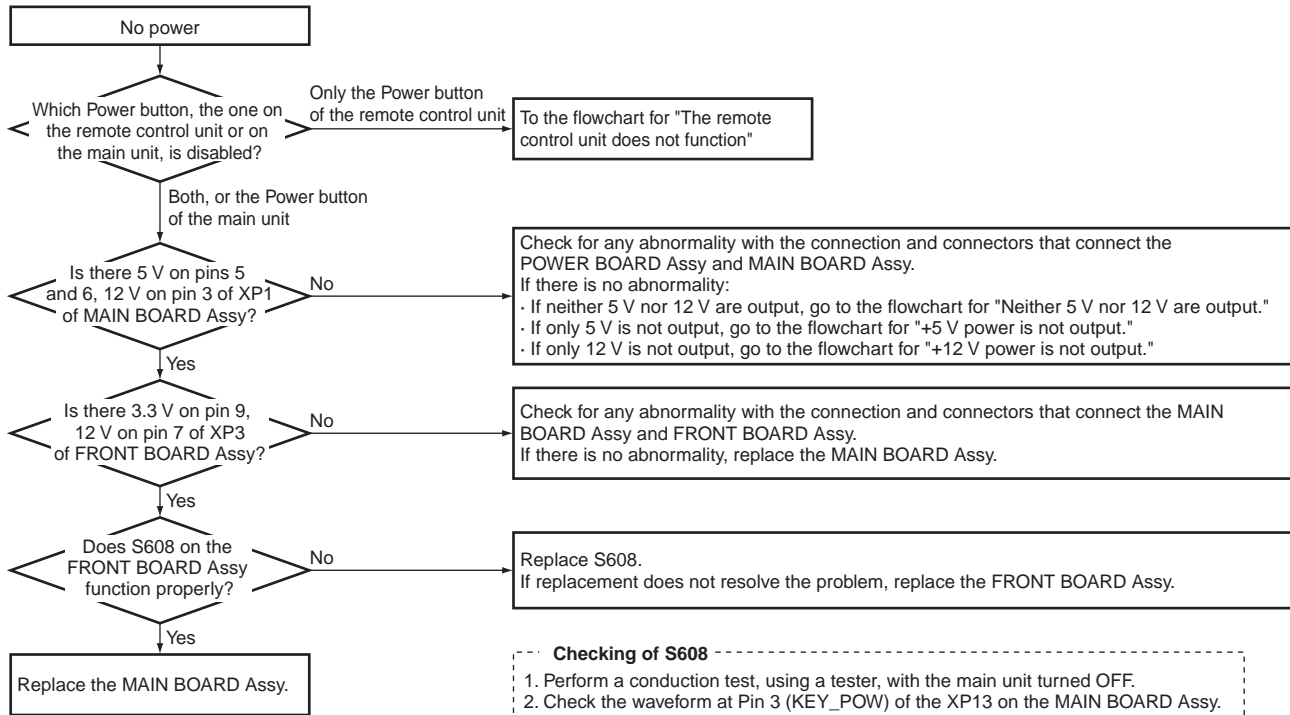


A
B
C
D
E
F

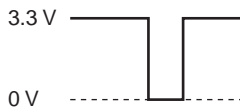
5. DIAGNOSIS

5.1 TROUBLESHOOTING

A No power

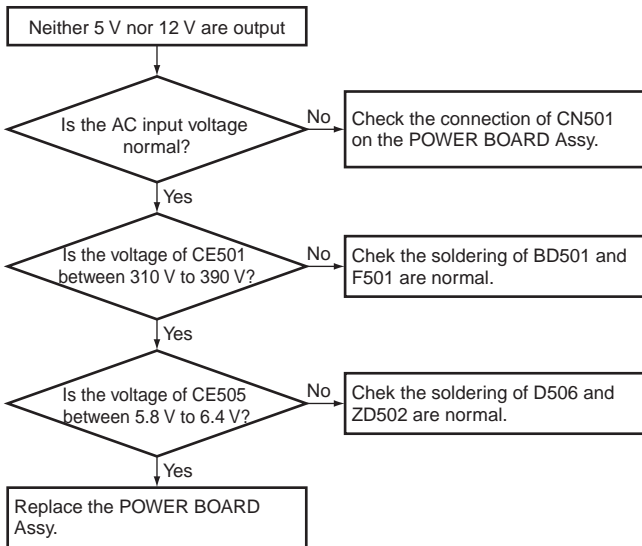


Waveform of KEY_POW

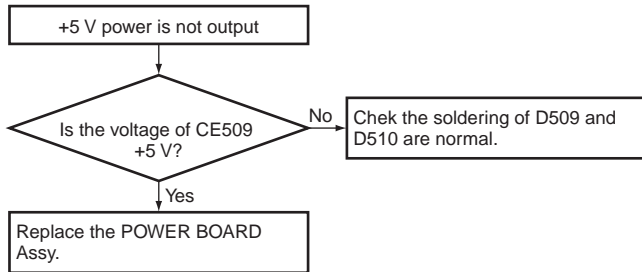


D

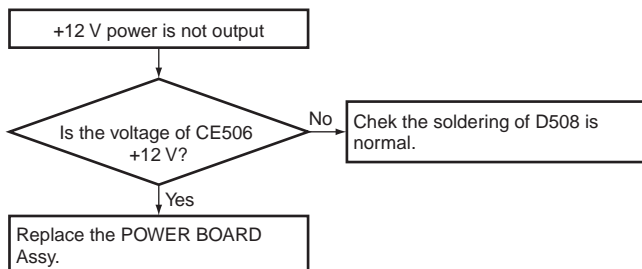
Neither 5 V nor 12 V are output



+5 V power is not output

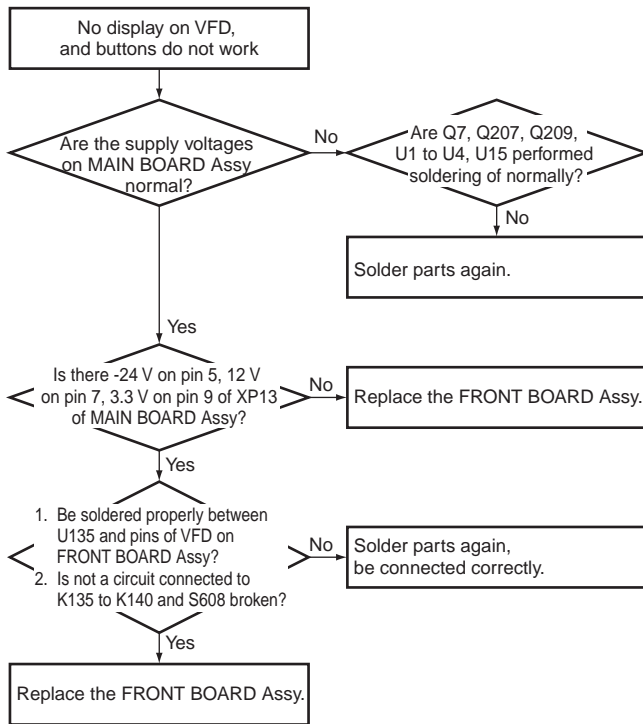


+12 V power is not output

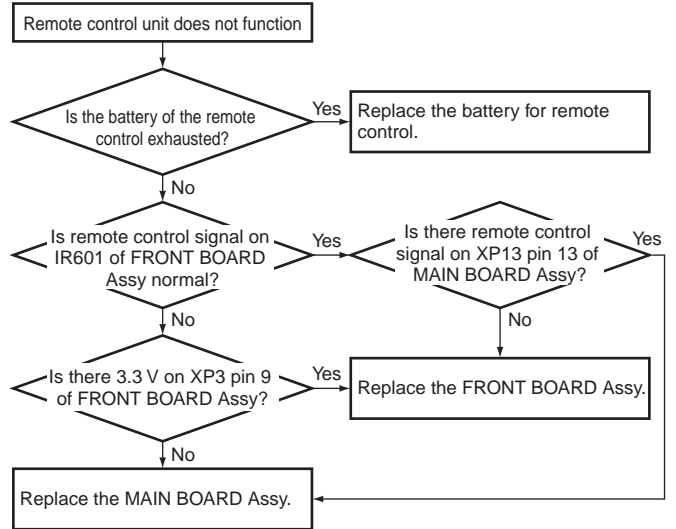


F

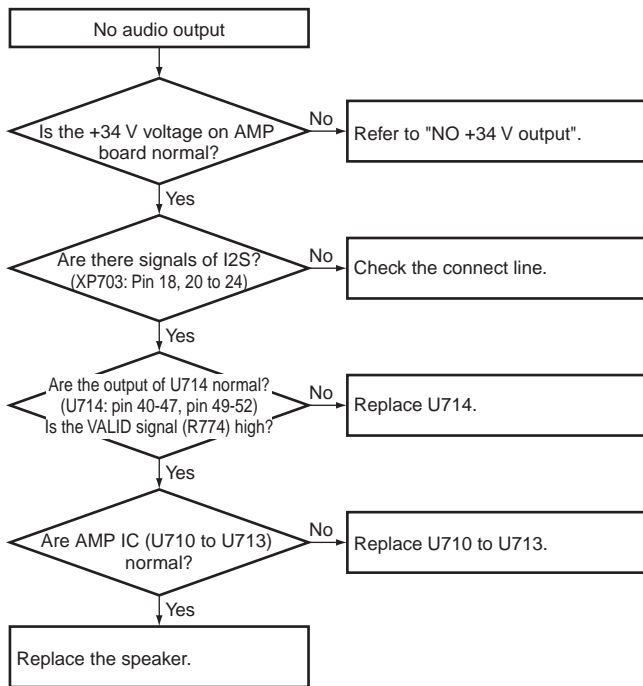
No display on VFD, and buttons do not work



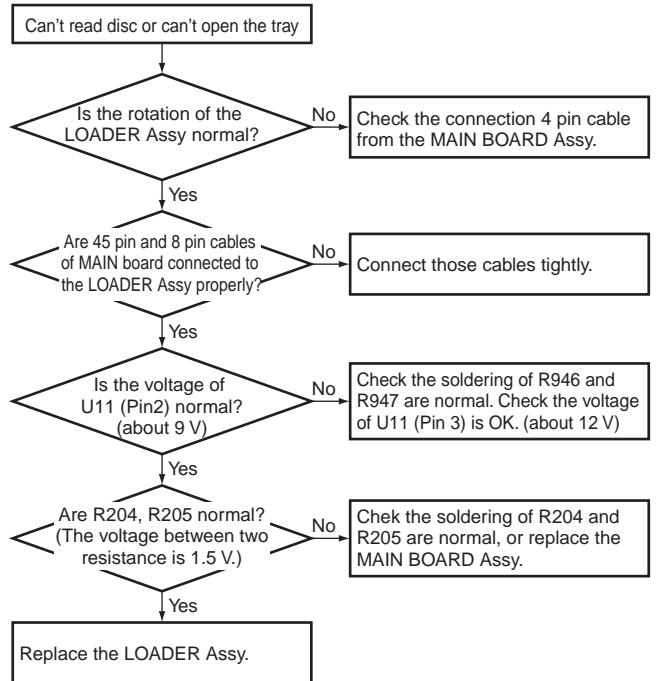
Remote control unit does not function



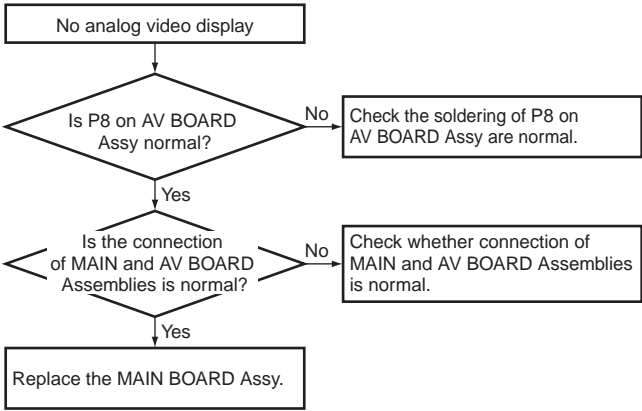
No audio output



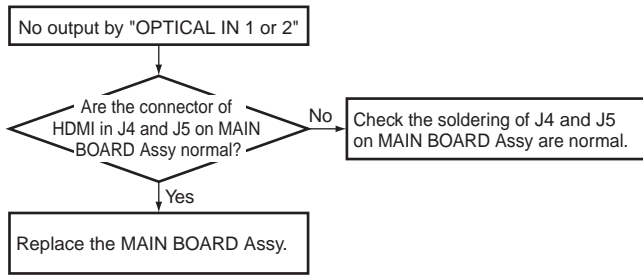
Can't read disc or can't open the tray



A No analog video display

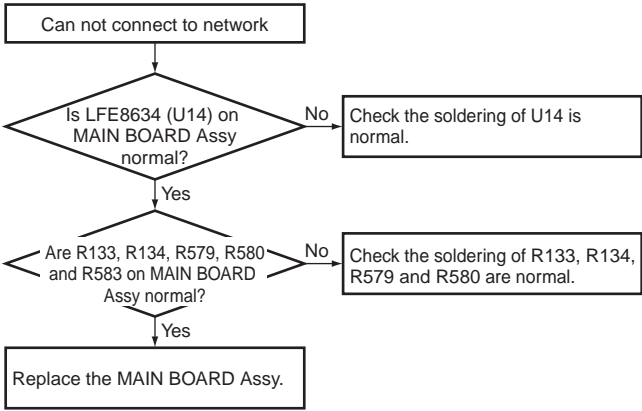


No output by "OPTICAL IN 1 or 2"

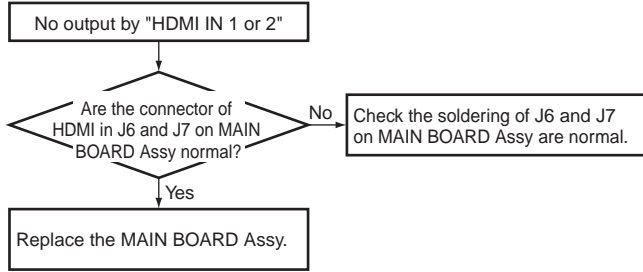


B

Can not connect to network by LAN



No output by "HDMI IN 1 or 2"



C

D

E

F

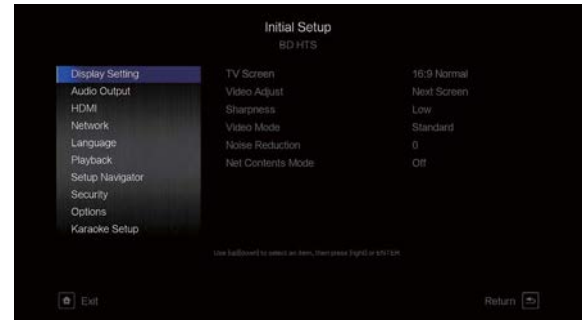
6. SERVICE MODE

6.1 SERVICE MODE

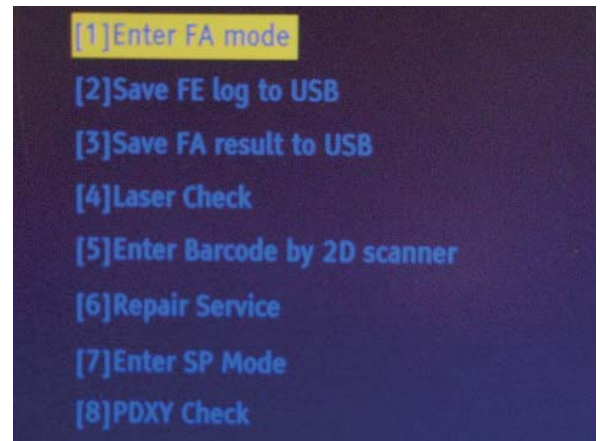
In Service Mode, there is a mixture of Design and Development, Production Line Menu and Service Menu. Here, menu items that are usable in Service and instructions are listed. Only use the menu explained in this document. Others are for Design and Product lines.

1. HOW TO ENTER TO SERVICE MODE

1. Press [Home Menu] on the remote controller and select "Initial Setup" from the home menu.



2. Pressing the number keys on the remote control in the following order [5] ⇒ [1] ⇒ [7] ⇒ [7] will display the Menu screen. (If it does not appear, slowly press the number keys with a 1 second interval.)



2. DESCRIPTION OF EACH ITEM

- [1] Enter FA mode
Implemented when exchanging the LOADER Assy and MAIN BOARD Assy. Refer to "FA Mode" for details.
- [2] Save FE log to USB
For Design and Development purposes and cannot be used for Service.
- [3] Save FA result to USB
For Design and Development purposes and cannot be used for Service.
- [4] Laser Check
Verifies laser diode. Refer to "Laser Check" for details.
- [5] Enter Barcode by 2D scanner
For Production line purposes and cannot be used for Service.
- [6] Repair Service
For the former model and will not be used to exchange this Loader.
- [7] Enter SP Mode
Mainly for Production Line, but some items can be used in Service. Please see "SP Mode" for details.
- [8] PDXY Check
Verifies misalignment of optical axis. Refer to "PDXY Check" for details.

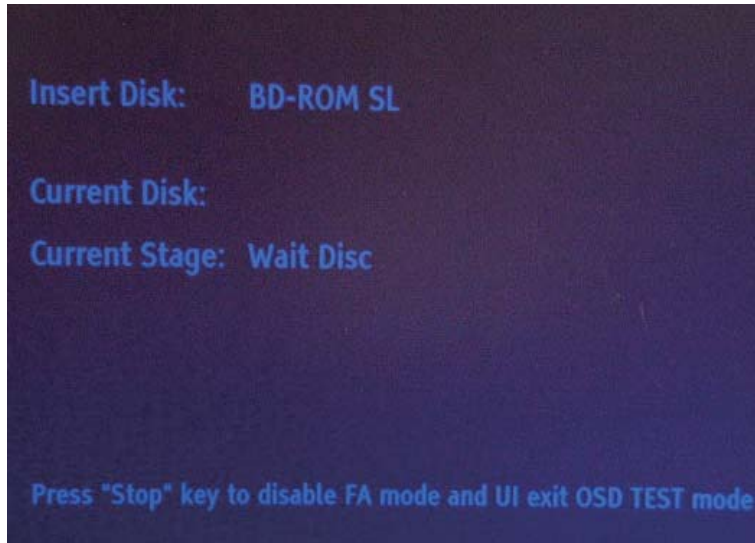
A 3. DETAILED DESCRIPTION OF ITEMS USED IN SERVICE

1. [1] Enter FA mode

In "FA mode," playback of the pick-up area is adjusted first, and then playback verification process is done on all playable discs. Adjustments on initial playback need to be made when exchanging the Loader and MAIN BOARD Assy in Service, so implement "FA mode" as in the following instructions.

- ① Select "[1] Enter FA mode" with the up-and-down key on the remote control on the Service Mode screen and press the [ENTER] key. (Window below will appear)

B



- ② The tray will open automatically, so insert GGV1368 and close the tray manually. (push the tray in)

- ③ Adjustments will initiate, and when they are properly completed, the tray will re-open and [Insert Disc: BD-R DL] will appear.

D



- ④ Remove the disc from the tray and press the [Stop] key. You will exit Service Mode and return to the Home Menu screen and finish.

F

A 3-1. Start Up

[Content of test]

Implements initial movement of the disc servo continuously. Implement the following process 20,000 cycles.

· Tray Close → · Focus ON → · TOC Read → · Tray Open



(1 cycle 15 seconds x 20000=completed in approx. 83 hours 20 minutes)

Can be implemented on all of CD, DVD, and BD. Cannot change disc during process.

B [Instructions]

- ① Select "[7] Enter SP Mode" with the ▼ key from the Service Mode screen, and press the [ENTER] key.
- ② The SP Mode window menu will be displayed, so select "Start Up" and press the [ENTER] key.
- ③ The tray will automatically open and the dedicated screen will appear. Place the disc you wish to use on the tray, and push it in manually. ([Close] key will not function)
- ④ Start Up mode will be initiated, and count will start. Implement 20,000 times (4E20 in hex), and if no errors occur, "Pass" will appear. If errors do occur, they will be counted. Therefore, errors can be identified without finishing the process.

C [Effective indications]

- Tray sometimes does not open, discs sometimes are not recognized, discs sometime do not playback. (When indications are related to discs, implement on the type of disc which has been pointed out. If it is the disc on which the indications occurred, possibility of reoccurrence is higher.)

3-2. Jitter Measure / BLER Measure

[Content of test]

Measures the Jitter or the Block Error Rate (BLER) of the disc inserted.

Only Pass or NG will be displayed, not Measurement values.

All of CD, DVD, and BD can be judged.

[Instructions]

- ① Select "[7] Enter SP Mode" with the ▼ key from the Service Mode screen, and press the [ENTER] key.
- ② The SP Mode window menu will be displayed, so select either "Jitter Measure" or "BLER Measure," and press the [ENTER] key.
- ③ The tray will automatically open and the dedicated screen will appear. Place the disc you wish to use on the tray, and push it in manually. ([Close] key will not function)
- ④ The tray will reopen automatically. Measurement will start when you push the tray in manually.
- ⑤ When test is completed, "Pass" or "NG" is displayed.

[Effective indications]

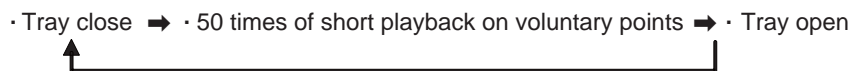
Defect related to playback. (blocked noise, sound jumping, image jumping, disc is paused, freeze of screen etc.) However, even if Pass is displayed after this test, it is difficult to determine that the Drive is normal with these Pass judgments only.

If an NG is generated in a specific disc only, the defect is likely to be caused by the disc. If an NG is generated in other discs too, the defect is likely to be caused by the drive part.

3-3. Simple Aging

[Content of Test]

Performs random playback of disc randomly. Implement the following process 800 cycles.



1cycle BD : 75 seconds x 800 times = Completed in a total of approx. 16 hours 40 minutes

DVD: Approx. 100 seconds x800 times = Completed in a total of approx. 22 hours 12 minutes

CD : Approx. 105 seconds x800 times = Completed in a total of approx. 23 hours 20 minutes

[Instructions]

- ① Select "[7] Enter SP Mode" with the ▼ key from the Service Mode screen, and press the [ENTER] key.
- ② The SP Mode window menu will be displayed, so select "Simple Aging" and press the [ENTER] key.
- ③ The tray will automatically open and the dedicated screen will appear. Place the disc you wish to use on the tray, and push it in manually. ([Close] key will not function)
- ④ The tray will reopen automatically. Aging will start when you push the tray in manually.

Note 1: [Total test count] display should always be 1 (essentially, 9C40, which is the hex of the 40000, the total of Random 50-time playback x 800 times should be displayed.

Note 2: Accumulated sum for [Current test count] is counted up until "9C3D" (39997 in decimal), however later it is expressed as "32" and is finished.

Note 3: DVD and BD disc can be checked with Single Layer (SL) disc only.
If they are checked with Dual Layer (DL) disc, an Error is generated.

Note 4: Set [Auto Power OFF] function in the setting of main unit to [OFF].
If the function is executed in any setting status, the power supply is turned OFF at the time.

· Error List

The following serves as the Error List generated in SP Mode.

| Error code | Error name | Discription |
|------------|-----------------------|---------------------------------|
| 12 | PWR_CURVE_ERROR | Power curve chk-sum error |
| 22 | STARTUP_TIMEOUT_ERROR | Over time-out criteria |
| 23 | MEDIA_MISMATCH | Wrong disc |
| 25 | DISCID_ERROR 0x25 | Disc ID error |
| 26 | MEDIUM_SUPPORT_ERROR | Unsupported disc |
| 31 | TRAYOUT_ERROR | Over tray-out time-out criteria |
| 32 | TRAYIN_ERROR | Over tray-in time-out criteria |
| 33 | FLASH_UPDATE_ERROR | Updating FA result failed |
| 36 | OPU_TEMP_ERROR | Abnormal OPU temperature |
| 41 | SEEK_TIMEOUT_ERROR | Over seek time-out criteria |
| 42 | SEEK_CMD_FAIL_ERROR | Seek cmd failed |
| 51 | READ_TOC_ERROR | Read TOC cmd failed |
| 52 | TOC_TIMEOUT_ERROR | Over read TOC time-out criteria |
| 61 | PIPO_TIMEOUT_ERROR | Over time-out criteria |
| 62 | PIPO_C1C2_ERROR | Read PIPO cmd failed |
| 63 | PIPO_C1C2_OVER | Over PIPO criteria |
| 71 | RD_CMD_FAIL_ERROR | Read cmd failed |
| 72 | RD_CMD_ERROR | Cmd error or illegal mode |
| 73 | RD_TIME_OUT_ERROR | Over read cmd time-out criteria |
| 81 | CHECK_FA_TABLE_ERROR | FA table chk-sum error |

A 4. [8] PDXY Check

For PDXY Check, the misalignment of pick-up optical axis can be checked.

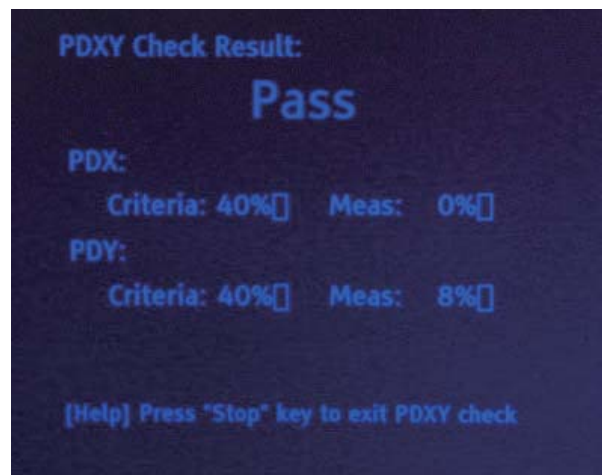
The optical axis misalignments of X-axis and Y-axis are displayed [PDX] and [PDY] with %, respectively. All of CD, DVD, and BD can be measured. The method for calculating PDX and PDY is shown below.

$$PDX = ((A+B)-(C+D)) / (A+B+C+D)$$

$$PDY = ((A+D)-(B+C)) / (A+B+C+D)$$

B [Instructions]

- ① Insert a disc (BD, DVD, CD) in a normal mode. If the playback starts, pause it.
Display the home menu and enter into the Service Mode.
In this mode, the measurement can be carried out at an arbitrary place. After a disc is inserted, play and stop the point you want to measure, and then enter into the Service Mode.
(The pick-up position does not return even in this status. The measurement at the place is available.)
- ② Select "[8] PDXY Check" with the ▼ key from the Service Mode screen, and press the [ENTER] key.
- ③ After the measurement is started and completed, the measurement value is displayed.
If the value is within the reference value, "Pass" is displayed.



C [Effective indications]

Defect related to playback. (block noise, sound jumping, image jumping, disc is paused, freeze of screen etc.)

If an NG is generated in a specific disc only, the defect is likely to be caused by the disc. If an NG is generated in other discs too, the defect is likely to be caused by the pick-up part. If the measurement value is very close to 40% even if an NG is not generated, the NG is likely to be caused by the disc.

5

6

7

8

7. DISASSEMBLY

Note:

(1) Do NOT look directly into the pickup lens. The laser beam may cause eye injury.
 (2) Even if the unit shown in the photos and illustrations in this manual may differ from your product, the procedures described here are common.

[1] LOADER Assy

Remove the top cover by removing the six screws.

(1) Disconnect the two flexible cables and one connector.
 (XP5, 7, 10)
 (2) Remove the two screws.
 (63-B30070-3H4)
 (3) Unhook the one hooks.

• Top view

XP7
 ①
 XP10 XP5
 ① ①
 ② ②
 ③
 LOADER Assy

(4) Remove the LOADER Assy.

LOADER Assy
 ④

XV-BD422B

5

6

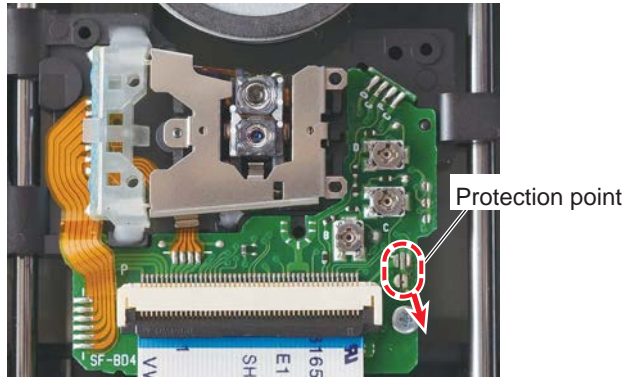
7

8

21

A Case of replacing to a New LOADER Assy

After connecting LOADER Assy and MAIN BOARD Assy with FFC, please remove solder at protection point to the arrow-mark direction by using soldering iron with your right-hand while holding the pick-up portion with your left-hand. (Photo shows the situation after the removal of solder.)



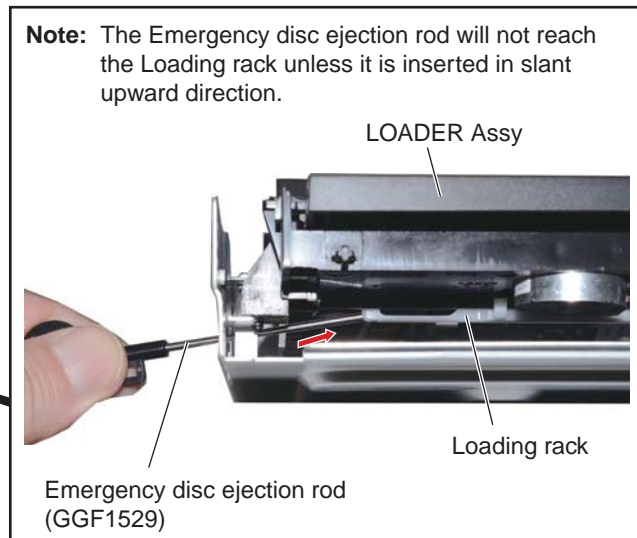
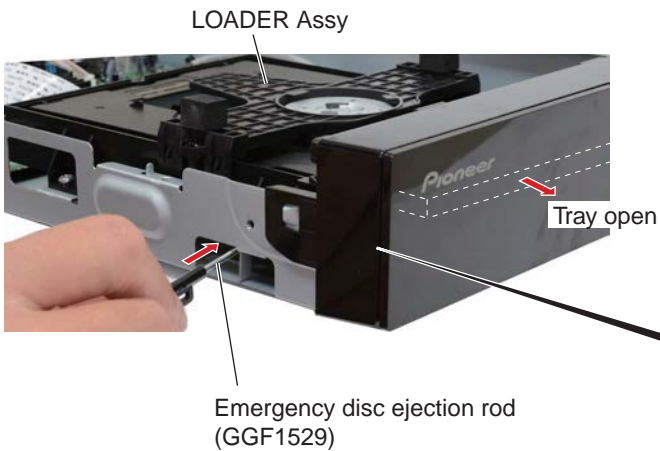
B

C

How to open the tray when the power cannot be on

When the tray cannot be opened because the power cannot be turned on, it can be opened using the emergency disc ejection rod (GGF1529). (A long, thin rod about 1 mm in diameter can be used in place of the rod.)

D Insert emergency disc ejection rod (GGF1529) into the side located at the chassis, and slide the loading rack in the LOADER Assy in the direction of the arrow, as indicated in the photo. If the tray pops out a little, fully pull it out by hand.



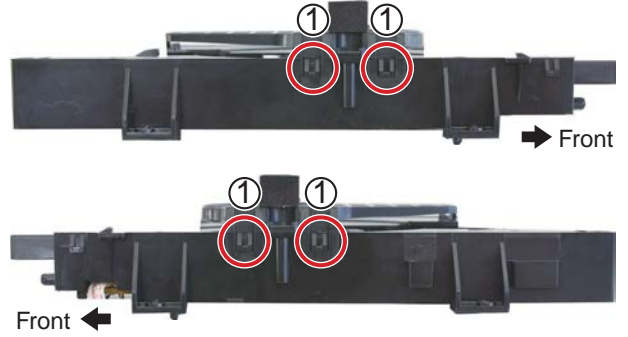
Note: The Emergency disc ejection rod will not reach the Loading rack unless it is inserted in slant upward direction.

E

F

Cleaning

(1) Unhook the four hooks.



(2) Remove the top cover.

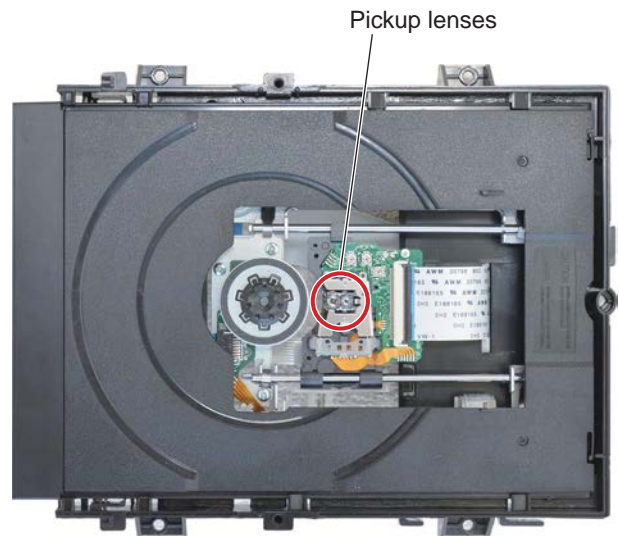


Clean the pickup lenses when it is stained, using the following cleaning materials:

- Cleaning liquid : GEM1004
- Cleaning paper: GED-008

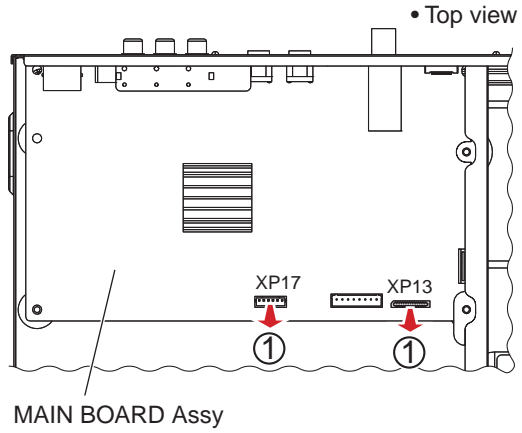
Caution:

The pickup for Blu-ray is a high-precision component; therefore, clean the lens with enough care so as not to cause a misalignment in the optical axis.

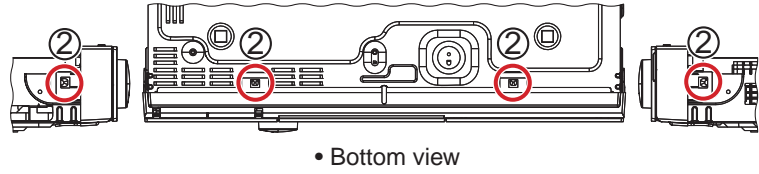


A [2] Front Panel Section

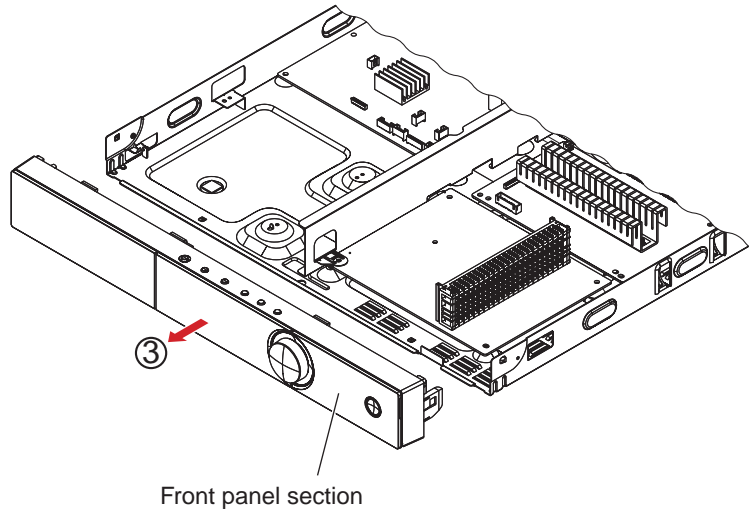
- (1) Disconnect the one flexible cable and one connector.
(XP13, 17)



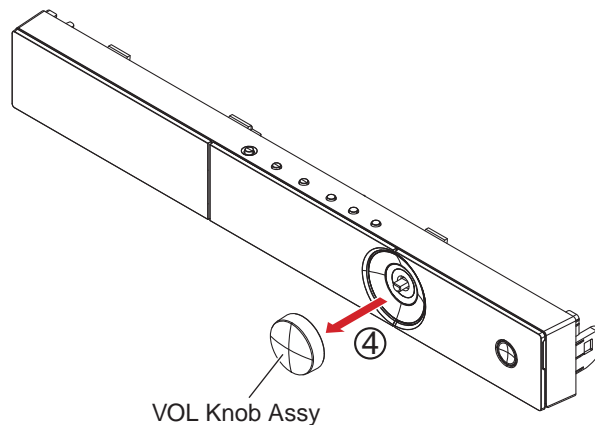
- (2) Unhook the four hooks.



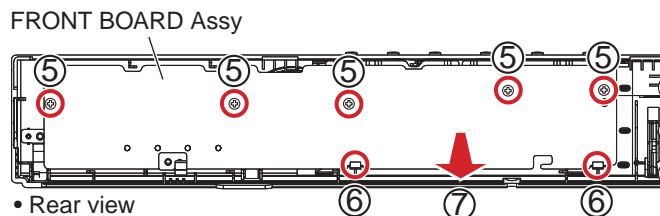
- (3) Remove the front panel section.



(4) Remove the VOL knob Assy.

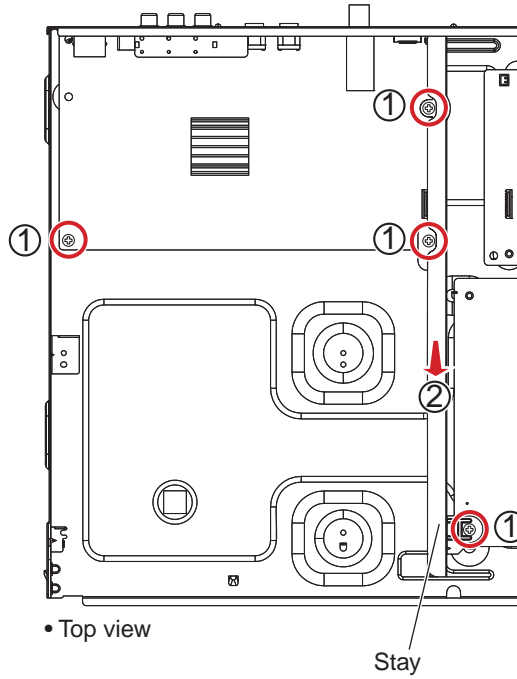


- (5) Remove the five screws.
(63-B26080-BF4)
- (6) Unhook the two hooks.
- (7) Remove the FRONT BOARD Assy.

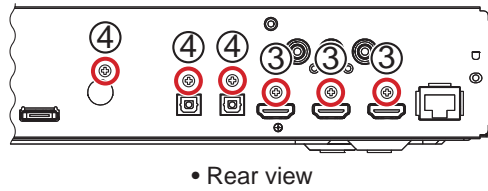


A [3] MAIN BOARD Assy

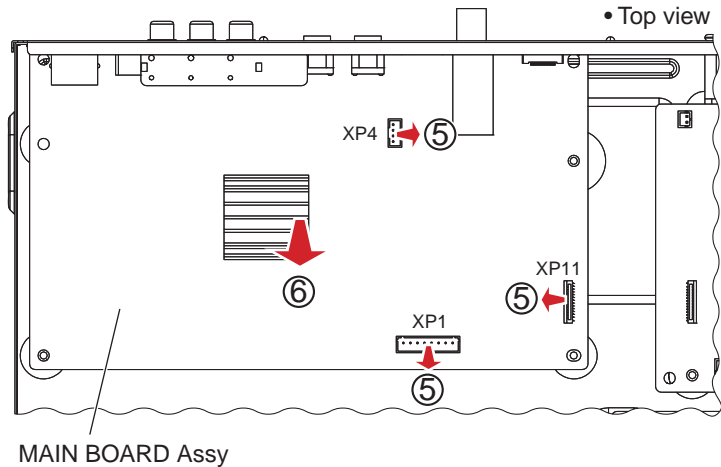
- (1) Remove the four screws.
(63-B30070-3H4)
- (2) Remove the stay.



- (3) Remove the three screws.
(63-B30070-3H4)
- (4) Remove the three screws.
(64-B30040-304)



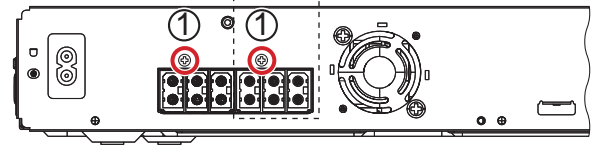
- (5) Disconnect the one flexible cable and two connectors.
(XP1, 4, 11)
- (6) Remove the MAIN BOARD Assy.



[4] AMP BOARD and SYSTEM POWER SUPPLY Assy

- (1) Remove the two screws. (64-B30040-304)
(XV-BD422B, XV-BD122B)
- (1) Remove the one screw. (64-B30040-304)
(XV-BD122FSB)

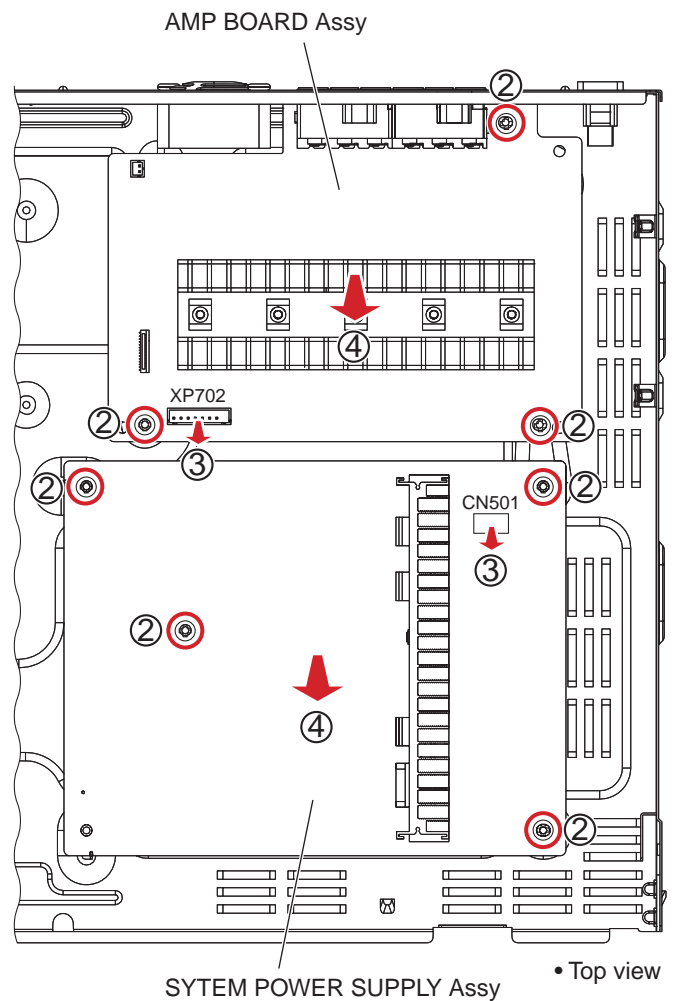
XV-BD422B, XV-BD122B
only



• Rear view



- (2) Remove the five screws.
(63-B30070-3H4)
- (3) Disconnect the two connectors.
(XP702, CN501)
- (4) Remove the AMP BOARD and SYSTEM
POWER SUPPLY Assy.



• Top view

8. EACH SETTING AND ADJUSTMENT

8.1 ADJUSTMENT REQUIRED WHEN THE UNIT IS REPAIRED OR REPLACED

Note:
Be sure to update the firmware before starting adjustments or settings.

When any of the following assemblies is replaced

LOADER Assy

FA TEST

MAIN BOARD Assy

FA TEST

See "[1] Enter FA mode" in "6.1 SERVICE MODE".

Note:

- Change the Destination setting after MAIN BOARD Assy is replaced. After that, update the latest firmware.
- Please confirm that the USB memory is recognized after inserting the USB memory to the USB port.
(Due to protect wrong connection)

Procedures for Changing the Destination setting after the MAIN BOARD Assy is replaced

1. Updating MPEG firmware for Service

- Update MPEG Firmware for service of the product.

BSC727 series

BCS727_SP.bin

- ① Rename "BCS727_V00.99.bin" and put it in the root path of USB memory.
- ② Please insert the USB memory into machine and turn Power ON.
Please press HomeMenu button to enter the menu, after that, please find "Home Menu" → "Initial Setup" → "Options" → "Update" → "USB Storage".
- ③ After press the enter button, the system will search the upgrade file itself to upgrade.
- ④ After reset, unplug the USB memory.

2. Changing the Destination Setting

- ① Display the HOME MENU screen, move the cursor to Initial Setup, then press the ENTER button.
- ② With the Initial Setup screen displayed, press the numeric buttons 5, 1, 7, then 7, in that order, on the supplied remote control unit. Then Menu screen will be displayed.
- ③ Select [9] Change Area at the bottom then press the ENTER button.
(If MPEG Firmware for service isn't updated, [9] Change Area isn't displayed.)
- ④ Select the destination by moving the cursor then press the ENTER button.



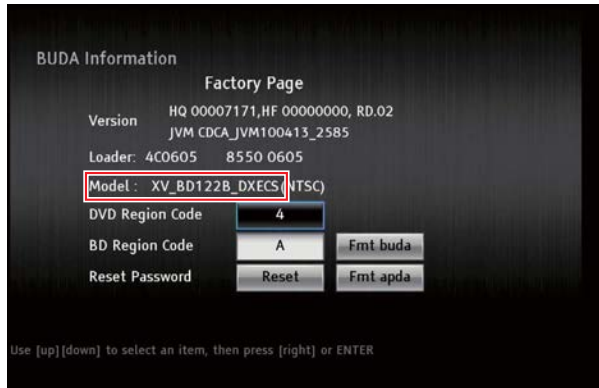
Tip: Though Model name is XV-BD***, XV_BD*** is displayed on screen.
Even if the destination is changed, key data (CPRM key, NETFLIX ESN, etc) isn't written or removed.

- ⑤ Turn the unit OFF then back ON again.
(Be sure to do this after changing the destination setting.)

3. Confirming the Destination Change

Check if the destination setting has been properly changed.

- ① Press the HOME MENU button to display the HOME MENU screen, move the cursor to Initial Setup, then press the ENTER button.
- ② With the Initial Setup screen displayed, press the numeric buttons 8, 5, 2, then 0, in that order, on the supplied remote control unit.
- ③ On the BUDA Information screen, if the destination that was selected on step 4 in "2. Changing the Destination Setting" is displayed for the "Model" item, the destination change has been successfully finished.



Tip: It is recommended to confirm the region code at the same time.

- ④ Press the HOME MENU button to return to the HOME MENU screen.

4. Updating the Latest Firmware to the Product

Please refer to "Firmware Update" in details.

Caution:

Be sure to write the latest Firmware that suits the destination of the product, because the product will not operate properly with the firmware for service, which is used for changing the destination setting.

8.2 UPDATING OF THE FIRMWARE

A ■ Firmware Update

This unit has four firmwares. (MPEG, SERVO, DSP and MCU)

You can update all firmwares at the same time by copying them into one USB memory.

- **MPEG firmware**
BCS727_V00.**.bin
(* is Version Number of MPEG Firmware)
DLdiscidentifier.txt
- **SERVO firmware**
DVD.bin
- **DSP firmware**
BCS727_DSP.bin
- **MCU firmware**
BCS727_MCU.bin
DLdiscidentifier_MCU.txt

- B (*) The required time for Firmware Update
MPEG firmware (SERVO firmware): About 30 seconds to 1 minutes
DSP firmware: About 10 to 12 minutes
MCU firmware: About 3 to 5 minutes

[1] Before Firmware Update, please check the current firmware version installed in this unit.
Please refer to "How to confirm the versions".

[2] Please copy the updating file into the USB memory route path.

(*) New SERVO firmware and DSP firmware may not be released in the future. Then, please copy MPEG firmware and MCU firmware (BCS727_V00.**.bin, DLdiscidentifier.txt, BCS727_MCU.bin, DLdiscidentifier_MCU.txt) into the USB memory.

[3] After step 2, please insert the USB memory into unit and turn Power ON. Please press "HOME MENU" button to enter the menu, after that, please select "Home Menu" ⇒ "Initial Setup" ⇒ "Options" ⇒ "Update" ⇒ "USB Storage".

[4] Fig. 2 is displayed after displaying Fig.1. Then, firmware update starts by pressing ENTER button.

(*) Never press any buttons on Remote Control or Front Panel until finishing the update.

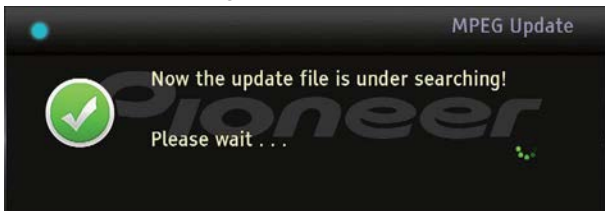


Fig. 1

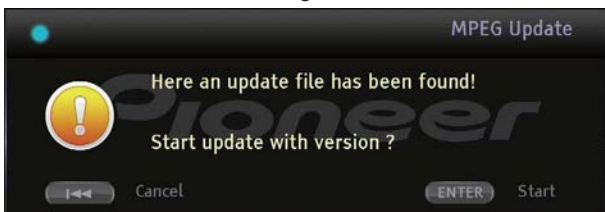


Fig. 2

[5] Firmware update is executed by the following sequence.
MPEG firmware + SERVO firmware ⇒
DSP firmware ⇒ MCU firmware

[6] When the update for MPEG firmware starts, the following GUI is displayed. Then "MPEG UPG" is displayed on FL tube. If there is SERVO firmware in USB memory, SERVO firmware is updated at same time.

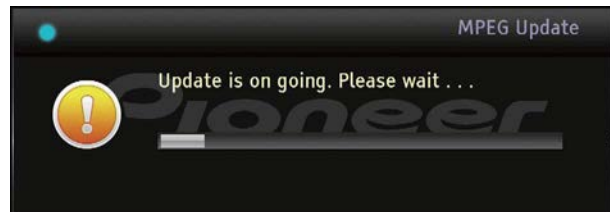


Fig. 3

[7] After finishing the update for MPEG firmware, the update for DSP firmware starts automatically. Then, the following GUI is displayed and "DSP UPG" is displayed on FL tube. If there isn't DSP firmware in USB memory, the update for DSP firmware will be skipped.

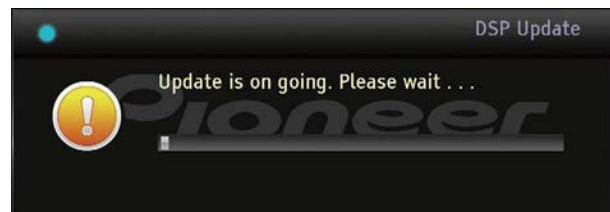


Fig. 4

[8] After finishing the update for DSP firmware, the update for MCU firmware starts automatically. Then, the following screen is displayed and "MCU UPG" is displayed on FL tube.

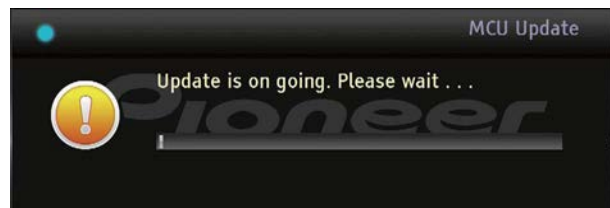


Fig. 5

Attention

The update for MCU Firmware doesn't finish fairly infrequently. If it doesn't finish after 10 minutes, please execute firmware update again by the following procedure.

- ① Unplug Power cord.
- ② Plug Power cord again and press "STANDBY/ON" button.
- ③ When this unit turns power on, the following message is displayed on screen. Please execute firmware update again.



Fig. 6

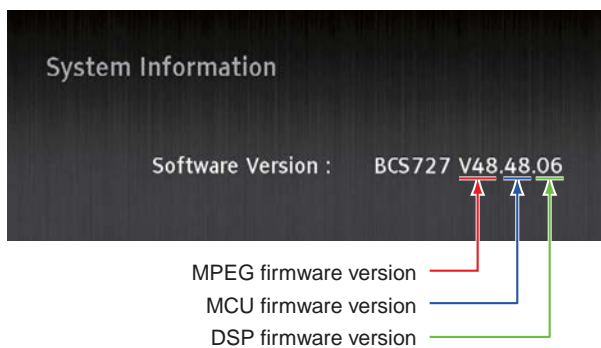
- [9] After finishing the update for MCU firmware, the following message is displayed. This unit reboots automatically after 5 seconds. After reboot, firmware update finishes. Please confirm the firmware version in this unit.



Fig. 7

How to confirm the versions

You can press "HOME MENU" button to enter the menu, after that, press "↑/↓/←/→" buttons to display "Home Menu" ⇒ "Initial Setup" ⇒ "Options" ⇒ "System Information", then you can see the information of current firmware version by pressing the "ENTER" button.



(*) How to confirm SERVO firmware

Only as for SERVO firmware, a version confirmation method differs. With the Initial Setup screen displayed, press the numeric buttons "8" ⇒ "5" ⇒ "2" ⇒ "0". Then BUDA Information is displayed on screen.



1 2 3 4

9. EXPLODED VIEWS AND PARTS LIST

NOTES:

- Parts marked by "NSP" are generally unavailable because they are not in our Master Spare Parts List.
- The \triangle mark found on some component parts indicates the importance of the safety factor of the part. Therefore, when replacing, be sure to use parts of identical designation.
- Screws adjacent to ∇ mark on product are used for disassembly.
- For the applying amount of lubricants or glue, follow the instructions in this manual. (In the case of no amount instructions, apply as you think it appropriate.)

9.1 PACKING SECTION

for VXE8 model

Battery

for YXE8 model

Battery

32

XV-BD422B

1 2 3 4

(1) PACKING SECTION PARTS LIST

| <u>Mark No.</u> | <u>Description</u> | <u>Part No.</u> |
|-----------------|--------------------------|------------------------|
| | 1 Remote Control | 06-BCS727-A000 |
| ⚠ | 2 Power Cord | See Contrast table (2) |
| | 3 Video Cable | 41-UH1200-0KK1E |
| | 4 FM Antenna | 47-ANT022-XX0 |
| | 5 ••••• | |
| | 6 Operating Instructions | See Contrast table (2) |
| | 7 ••••• | |
| NSP | 8 Warranty Card | 70-PIONBD-WARB1 |
| | 9 ••••• | |
| | 10 Poly Bag | 74-550520-50GB1 |
| | 11 Back Foam | 75-BC72B1-EA1 |
| | 12 Front Foam | 75-BC72F1-EA1 |
| | 13 Carton Box | See Contrast table (2) |

(2) CONTRAST TABLE

XV-BD422B/YXE8, VXE8, XV-BD122B/YXE8, VXE8 and XV-BD122FSB/YXE8 are constructed the same except for the following:

| Mark | No. | Symbol and Description | XV-BD422B /YXE8 | XV-BD422B /VXE8 | XV-BD122B /YXE8 | XV-BD122B /VXE8 | XV-BD122FSB /YXE8 |
|------|-----|--|--------------------|--------------------|--------------------|--------------------|----------------------|
| ⚠ | 2 | Power Cord | 51-DC0120-0CRA3 | 51-DC0120-0CRD4 | 51-DC0120-0CRA3 | 51-DC0120-0CRD4 | 51-DC0120-0CRA3 |
| | 6 | Operating Instructions (En, Fr, De, It, Ni, Es) | 72-BD122B-EU0B1 | Not used | 72-BD122B-EU0B1 | Not used | 72-BD122B-EU0B1 |
| | 6 | Operating Instructions (En) | Not used | 72-BD122B-GBRB1 | Not used | 72-BD122B-GBRB1 | Not used |
| | 13 | Carton Box | 76-119750-0ATB3 | 76-119750-0ATB9 | 76-119750-0ATC1 | 76-119750-0ATC2 | 76-119750-0ATB4 |

9.2 EXTERIOR SECTION

1

2

3

4

A

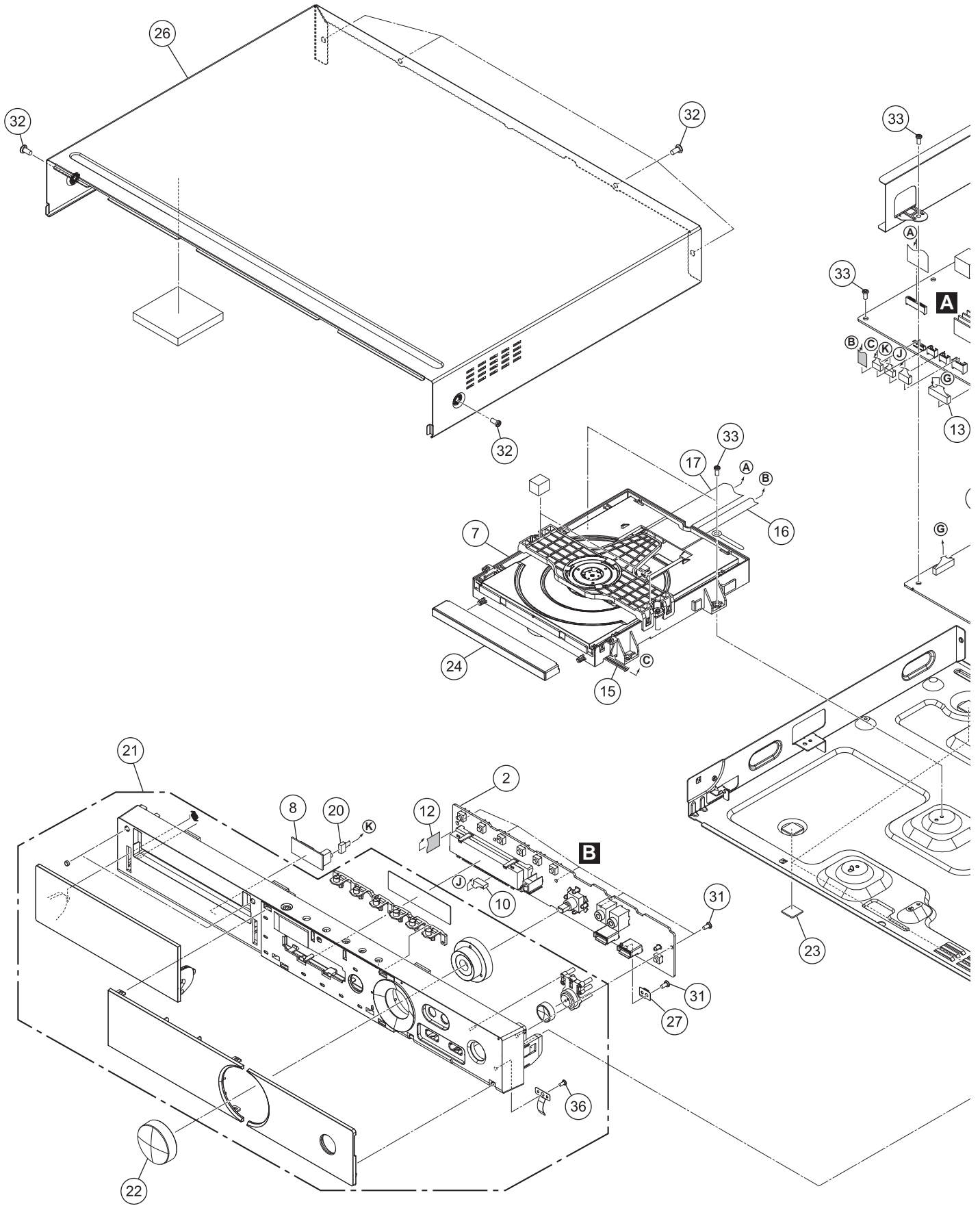
B

C

D

E

F

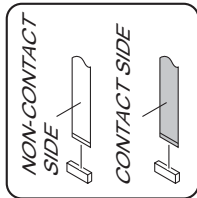
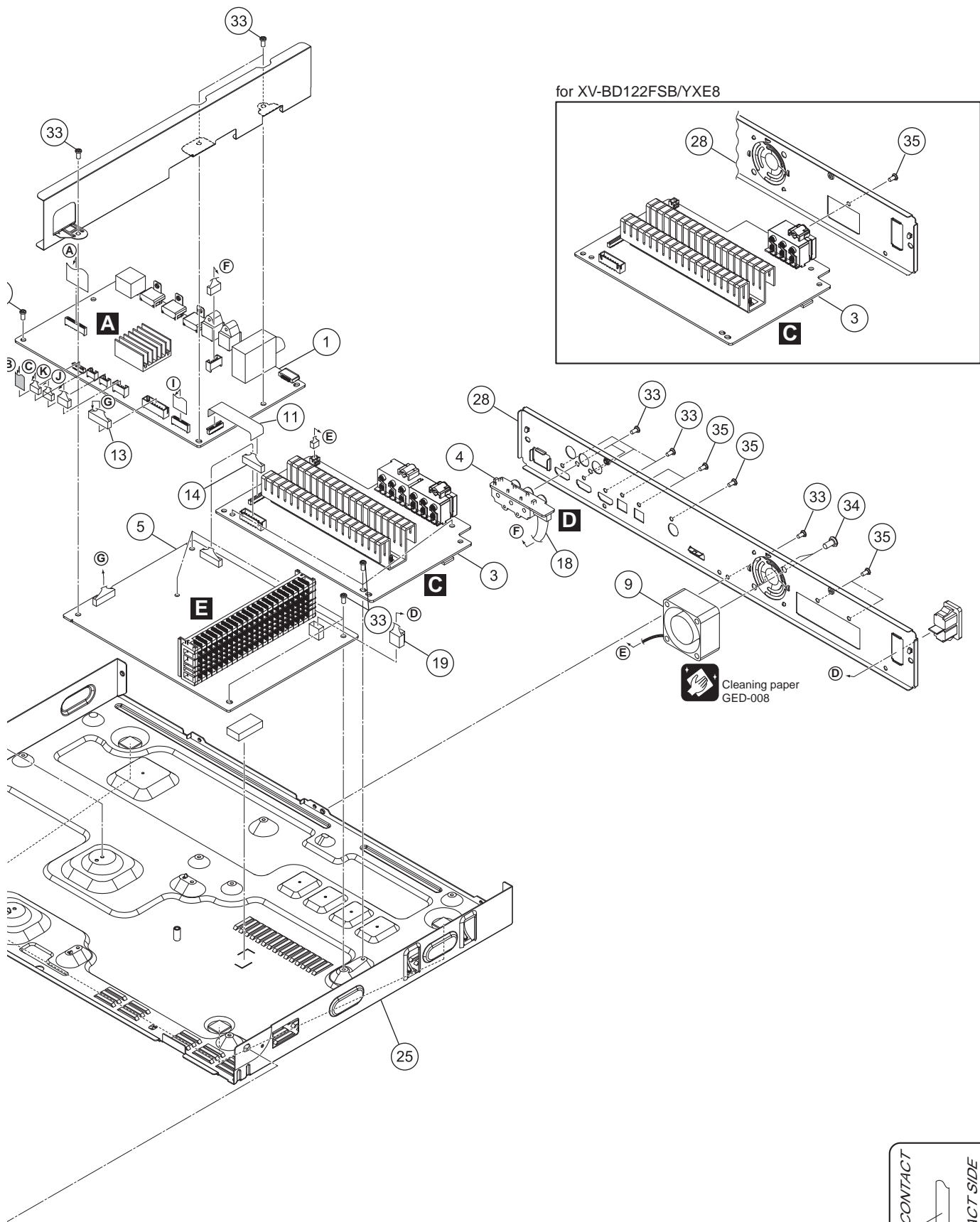


1

2

3

4



(1) EXTERIOR SECTION PARTS LIST

| <u>Mark No.</u> | <u>Description</u> | <u>Part No.</u> | <u>Mark No.</u> | <u>Description</u> | <u>Part No.</u> |
|-----------------|-------------------------------------|------------------------|-----------------|--------------------------|------------------------|
| A | 1 MAIN BOARD Assy | 08-H555DU-MA1R/YXV | 21 | Front Panel Assy | See Contrast table (2) |
| | 2 FRONT BOARD Assy | 08-BCS727-FVY | 22 | VOL Knob Assy | 02-DC22N1-XX0B2 |
| | 3 AMP BOARD Assy | See Contrast table (2) | 23 | Cushion | 54-103870-000 |
| | 4 AV BOARD Assy | AZW7613 | 24 | CD Door | 55-BC72D3-0HA |
| | 5 SYSTEM POWER SUPPLY Assy | 08-K250HE-PW1 | 25 | Bottom Plate | 67-BC72R1-0E0 |
| | 6 | | 26 | Top Cover | 67-BC72T1-0E0B1 |
| | 7 LOADER Assy | 08-LTCA19-222026 | 27 | Ground Plate | 67-BD14Q1-0B0 |
| | 8 | | 28 | Back Panel | See Contrast table (2) |
| | 9 DC Fan | 43-FM412S-211 | 29 | | |
| | 10 6 Pin 2.0mm L=300mmM USB Line | 46-FH030F-06NA | 30 | | |
| B | 11 0.5x24Px80mm Type A FFC | 46-KK008C-24AU | 31 | S/T Screw B 2.6x8 BF | 63-B26080-BF4 |
| | 12 20 Pin 1.0mm L=240mm FFC Line | 46-KK024C-20BV | 32 | Screw | 63-B30060-3H3 |
| | 13 8 Pin Cable 2.5mm 180mm TJC3-SCN | 46-CD018T-08K | 33 | Screw | 63-B30070-3H4 |
| | 14 TJC3/SCN 40mm 6 Pin 1007#26 Line | 46-CD004T-06X | 34 | S/T Screw B 4x8 BF | 63-B40080-BF4 |
| | 15 Cable PH-4Y,JC20-4P | 46-FH026T-04I | 35 | Triangle M/C Screw B 3x4 | 64-B30040-304 |
| | 16 1.0mm pitch B Type Flat Flexible | 46-FF020C-8BV | 36 | Screw 2.6*6 | 63-P26060-BF4 |
| | 17 45 Pin FFC Cable | 46-KF022C-45BU | | | |
| | 18 Cable 5 Pin 80mm FH-SAN | 46-FG008T-05P | | | |
| | 19 2 Pin Cable | See Contrast table (2) | | | |
| C | 20 | | | | |

(2) CONTRAST TABLE

XV-BD422B/YXE8, VXE8, XV-BD122B/YXE8, VXE8 and XV-BD122FSB/YXE8 are constructed the same except for the following:

| Mark | No. | Symbol and Description | XV-BD422B /YXE8 | XV-BD422B /VXE8 | XV-BD122B /YXE8 | XV-BD122B /VXE8 | XV-BD122FSB /YXE8 |
|------|-----|------------------------|--------------------|--------------------|--------------------|--------------------|----------------------|
| D | 3 | AMP BOARD Assy | AZW7611 | AZW7611 | AZW7611 | AZW7611 | AZW7612 |
| | 19 | 2 Pin Cable | Not used | 46-KL020T-03XC | 46-KL020T-03XC | 46-KL020T-03XC | Not used |
| | 19 | 3 Pin Cable | 46-KL018T-03XC | Not used | Not used | Not used | 46-KL018T-03XC |
| | 21 | Front Panel Assy | 08-BD422B-001 | 08-BD422B-002 | 08-BD122B-002 | 08-BD122B-003 | 08-BD122B-001 |
| | 28 | Back Panel | 67-BC72B3-0E0B1 | 67-BC72B3-0E0B1 | 67-BC72B3-0E0B2 | 67-BC72B3-0E0B2 | 67-BC72B4-0E0B1 |

■

5

■

6

■

7

■

8

■

A

■

B

■

C

■

D

■

E

■

F

■

5

■

6

XV-BD422B

■

7

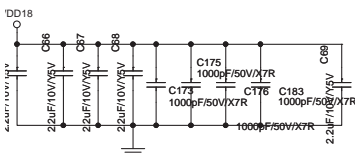
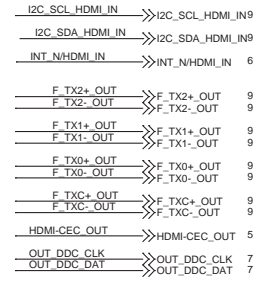
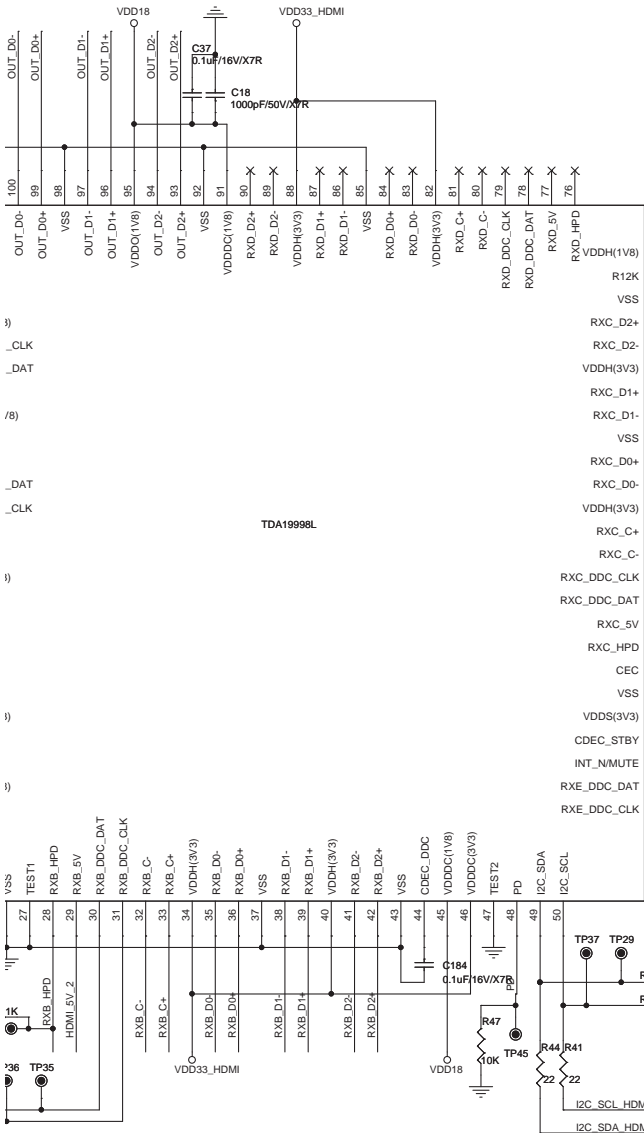
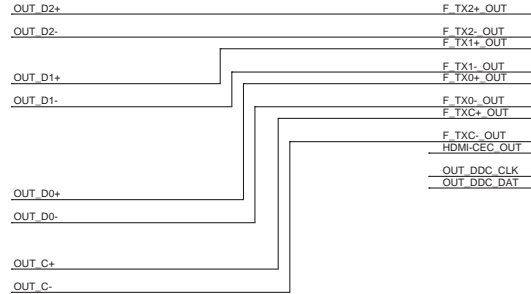
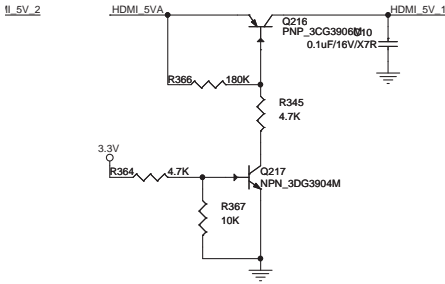
■

8

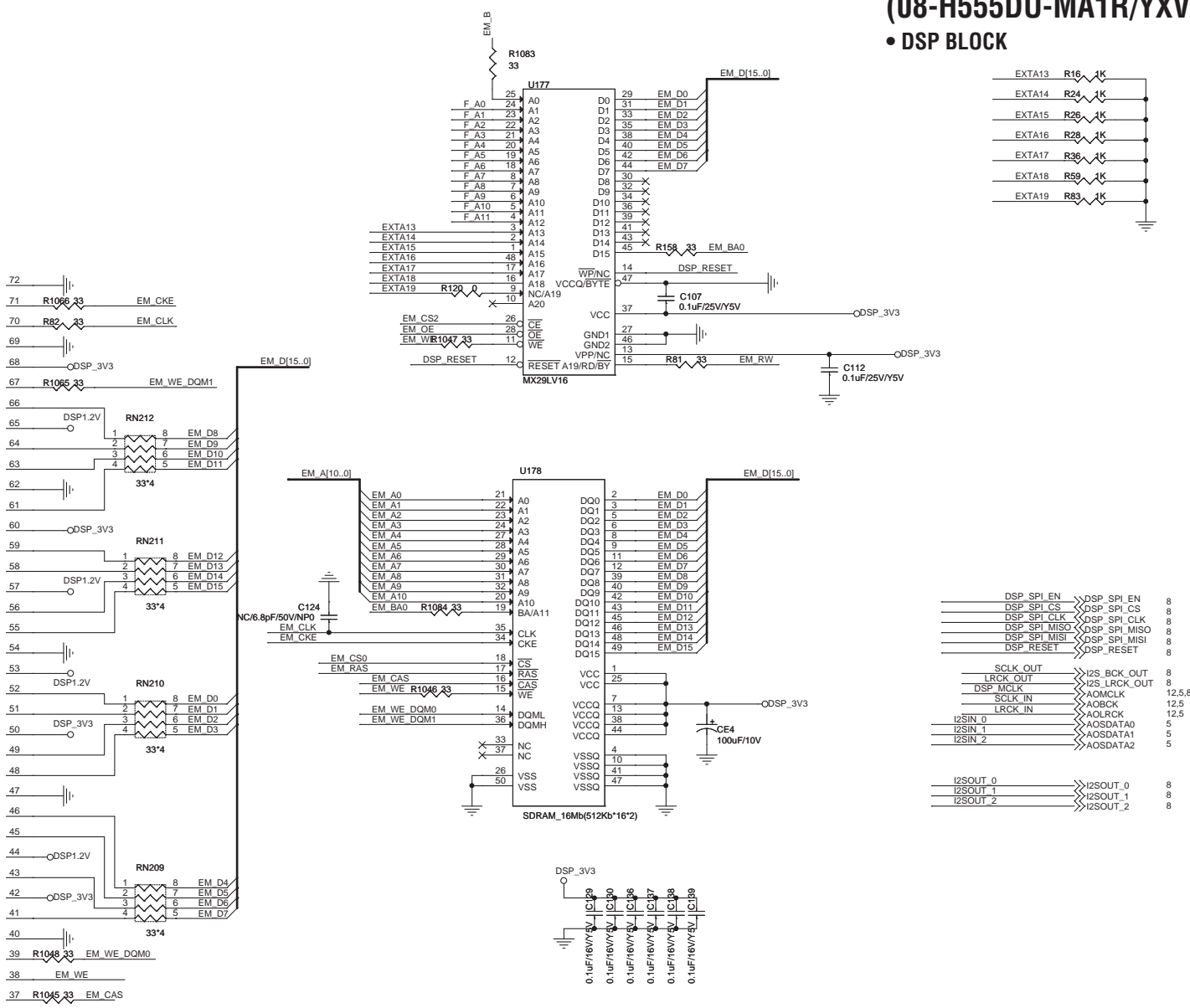
■

A/1/13 MAIN BOARD ASSY (08-H555DU-MA1R/YXV)

• HDMI IN NXP BLOCK

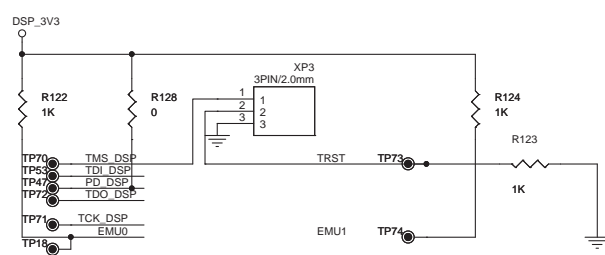


A 2/13 MAIN BOARD ASSY (08-H555DU-MA1R/YXV) • DSP BLOCK



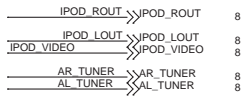
| | | |
|--------------|--------------|--------|
| DSP SPI EN | DSP_SPI_EN | 8 |
| DSP SPI CS | DSP_SPI_CS | 8 |
| DSP SPI CLK | DSP_SPI_CLK | 8 |
| DSP SPI MISO | DSP_SPI_MISO | 8 |
| DSP SPI MISI | DSP_SPI_MISI | 8 |
| DSP RESET | DSP_RESET | 8 |
| SCLK_OUT | I2S_BCK_OUT | 8 |
| LRCK_OUT | I2S_LRCK_OUT | 8 |
| DSP_MCLK | A0MCLK | 12,5,8 |
| LRCK_IN | A0BCK | 12,5 |
| I2SIN_0 | A0SCLK | 12,5 |
| I2SIN_1 | A0SDATA0 | 5 |
| I2SIN_2 | A0SDATA1 | 5 |
| I2SOUT_0 | I2SOUT_0 | 8 |
| I2SOUT_1 | I2SOUT_1 | 8 |
| I2SOUT_2 | I2SOUT_2 | 8 |

| | |
|---------|--|
| TDI_DSP | |
| PD_DSP | |
| TDO_DSP | |
| EMU1 | |
| TCK_DSP | |
| EMU0 | |

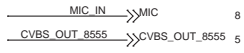


10.3 MAIN BOARD ASSY (3/13)

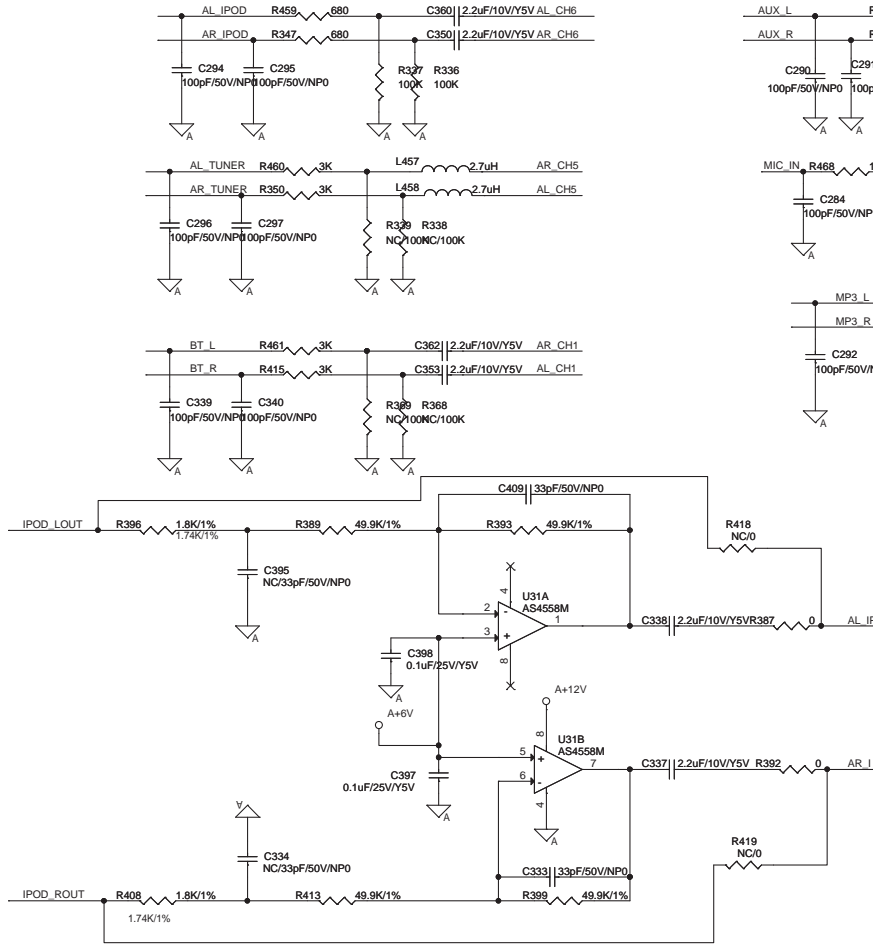
A



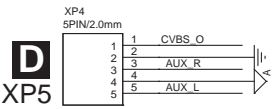
B



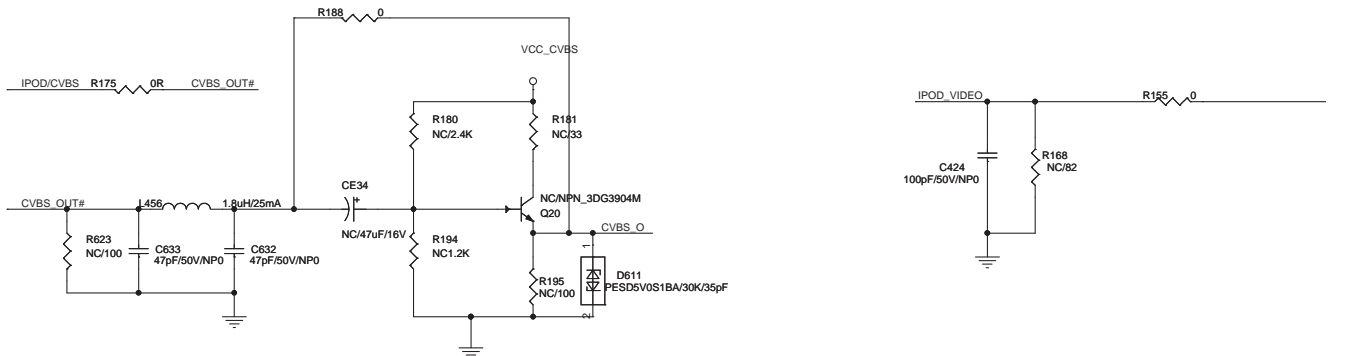
C



D



E

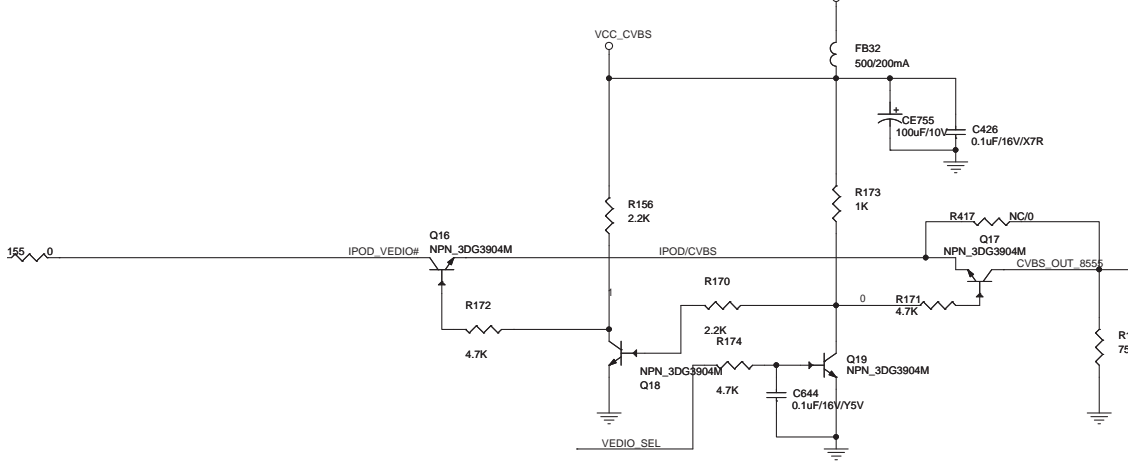
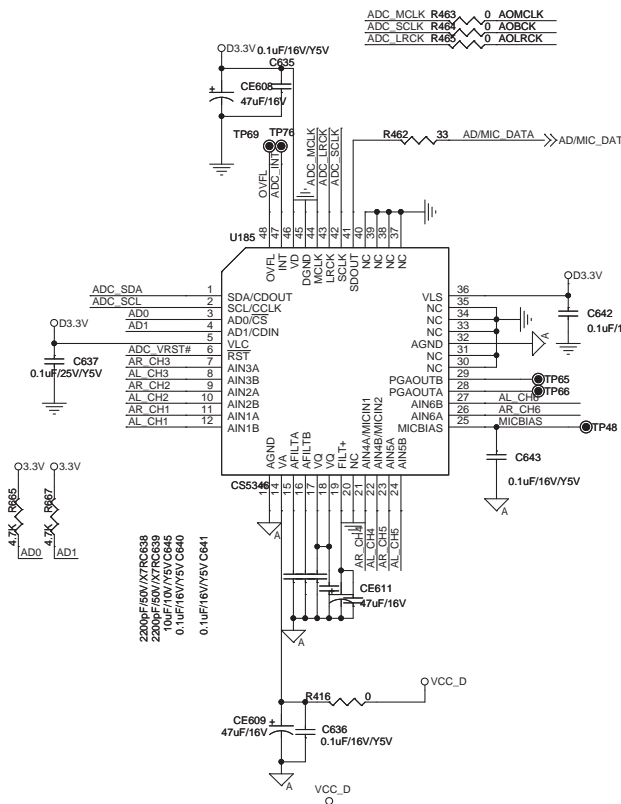
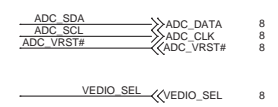
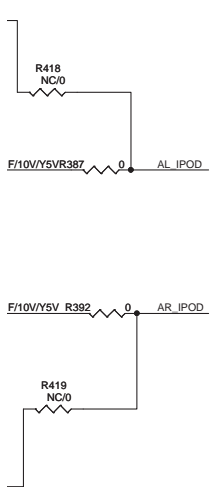
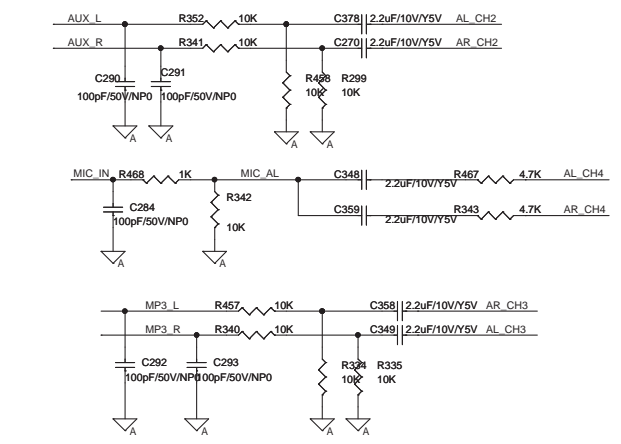


F

A3/13 MAIN BOARD ASSY (08-H555DU-MA1R/YXV)

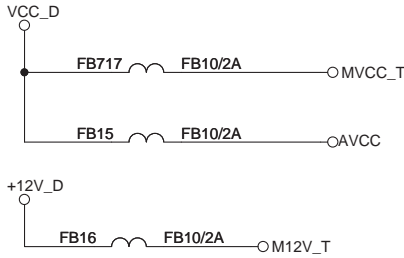
• Audio IN & CVBS OUT BLOCK

A
B
C
D
E
F

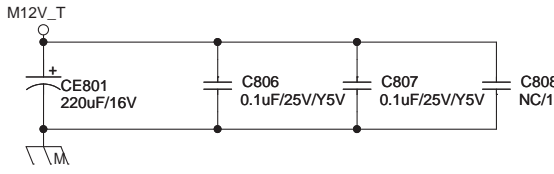


10.4 MAIN BOARD ASSY (4/13)

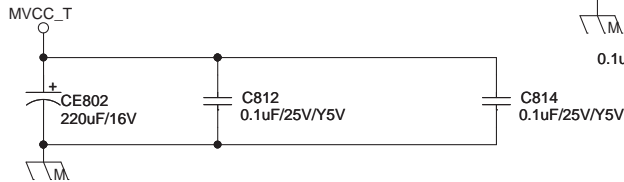
A



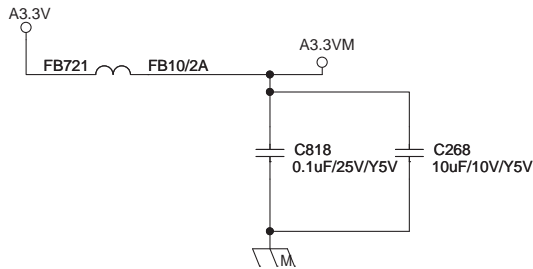
B



C

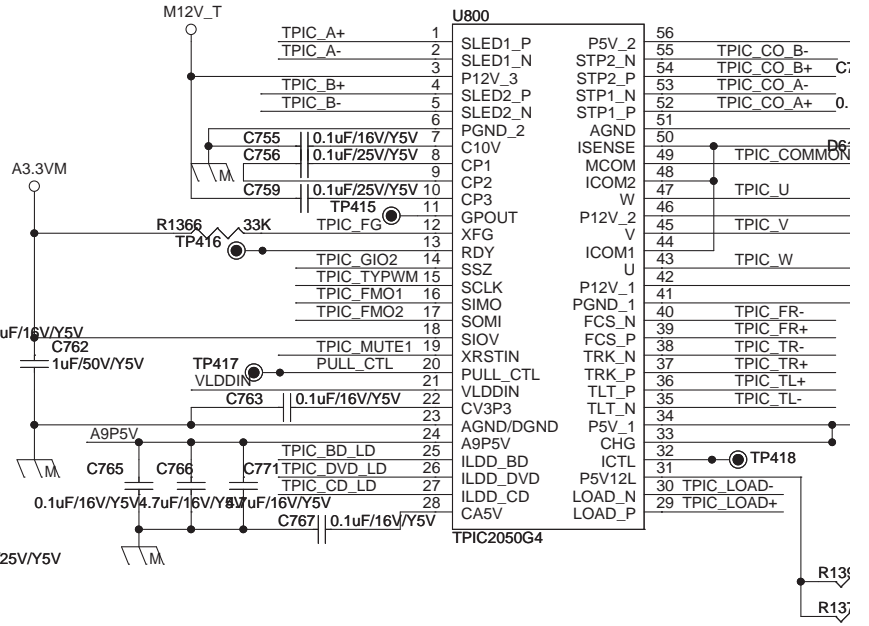


D

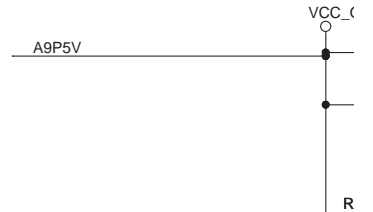


E

F

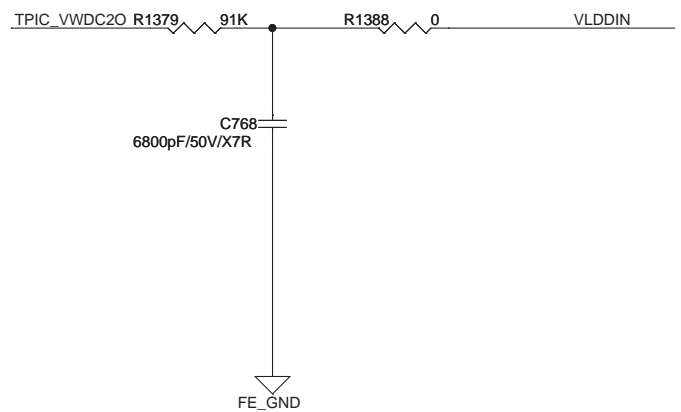
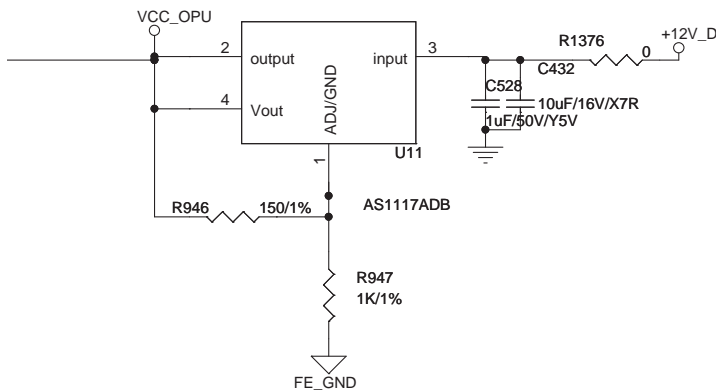
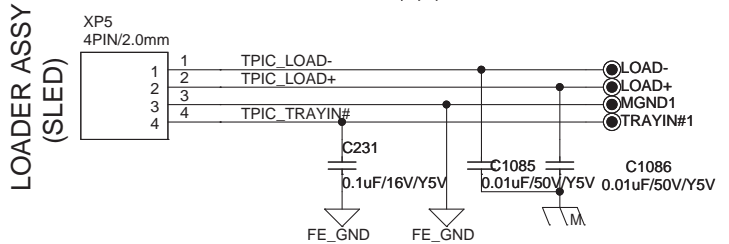
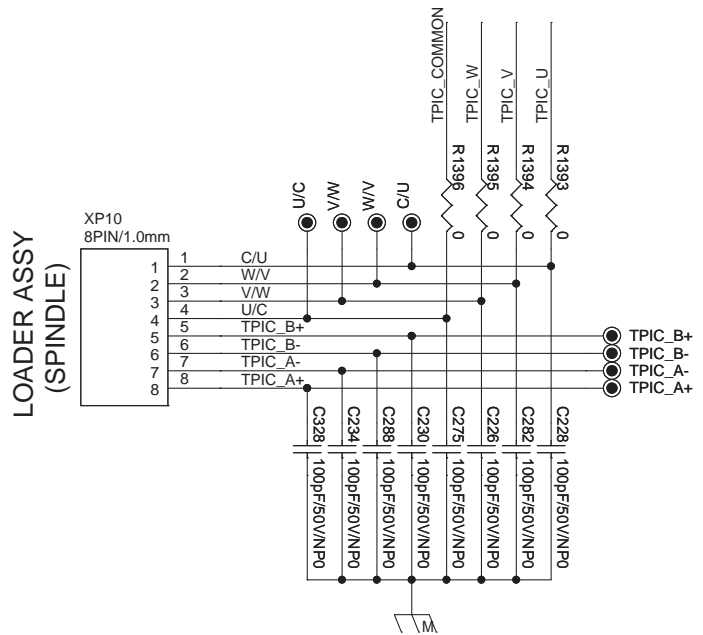
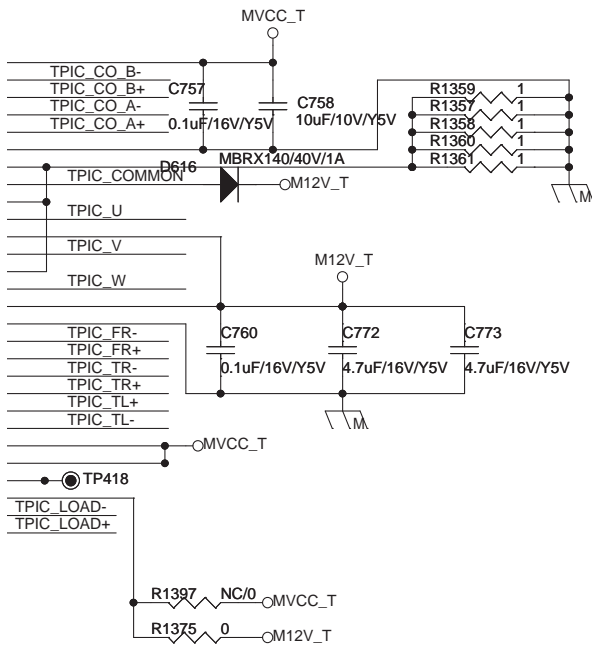


- | | | |
|-----------------|-----|--------------|
| 10 TPIC_TR+ | ≡≡≡ | TPIC_TR+ |
| 10 TPIC_TR- | ≡≡≡ | TPIC_TR- |
| 10 TPIC_TL- | ≡≡≡ | TPIC_TL- |
| 10 TPIC_TL+ | ≡≡≡ | TPIC_TL+ |
| 10 TPIC_FR- | ≡≡≡ | TPIC_FR- |
| 10 TPIC_FR+ | ≡≡≡ | TPIC_FR+ |
| | | |
| 10 TPIC_CO_B- | ≡≡≡ | TPIC_CO_B- |
| 10 TPIC_CO_B+ | ≡≡≡ | TPIC_CO_B+ |
| 10 TPIC_CO_A+ | ≡≡≡ | TPIC_CO_A+ |
| 10 TPIC_CO_A- | ≡≡≡ | TPIC_CO_A- |
| | | |
| 10 TPIC_FMO2 | ≡≡≡ | TPIC_FMO2 |
| 10 TPIC_FMO1 | ≡≡≡ | TPIC_FMO1 |
| 10 TPIC_TYPWM | ≡≡≡ | TPIC_TYPWM |
| | | |
| 10 TPIC_MUTE1 | ≡≡≡ | TPIC_MUTE1 |
| 10 TPIC_TRAYIN# | ≡≡≡ | TPIC_TRAYIN# |
| 10 TPIC_FG | ≡≡≡ | TPIC_FG |
| | | |
| 10 TPIC_GIO2 | ≡≡≡ | TPIC_GIO2 |
| 10 TPIC_VWDC2O | ≡≡≡ | TPIC_VWDC2O |
| | | |
| 10 TPIC_BD_LD | ≡≡≡ | TPIC_BD_LD |
| 10 TPIC_DVD_LD | ≡≡≡ | TPIC_DVD_LD |
| 10 TPIC_CD_LD | ≡≡≡ | TPIC_CD_LD |



A 4/13 MAIN BOARD ASSY (08-H555DU-MA1R/YXV) • TI2050 & SANYO415 BLOCK

A
B
C
D
E
F



10.5 MAIN BOARD ASSY (5/13)

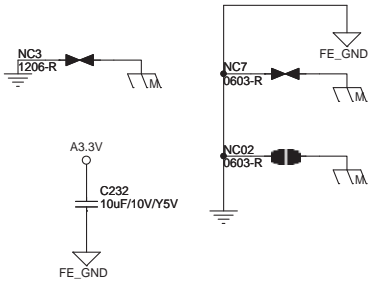
1

2

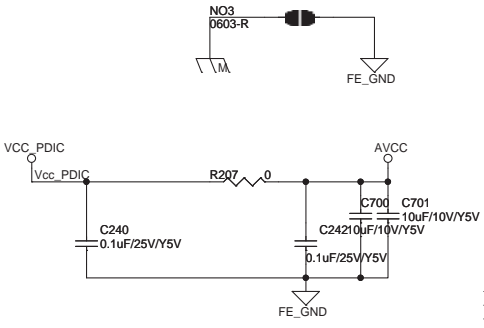
3

4

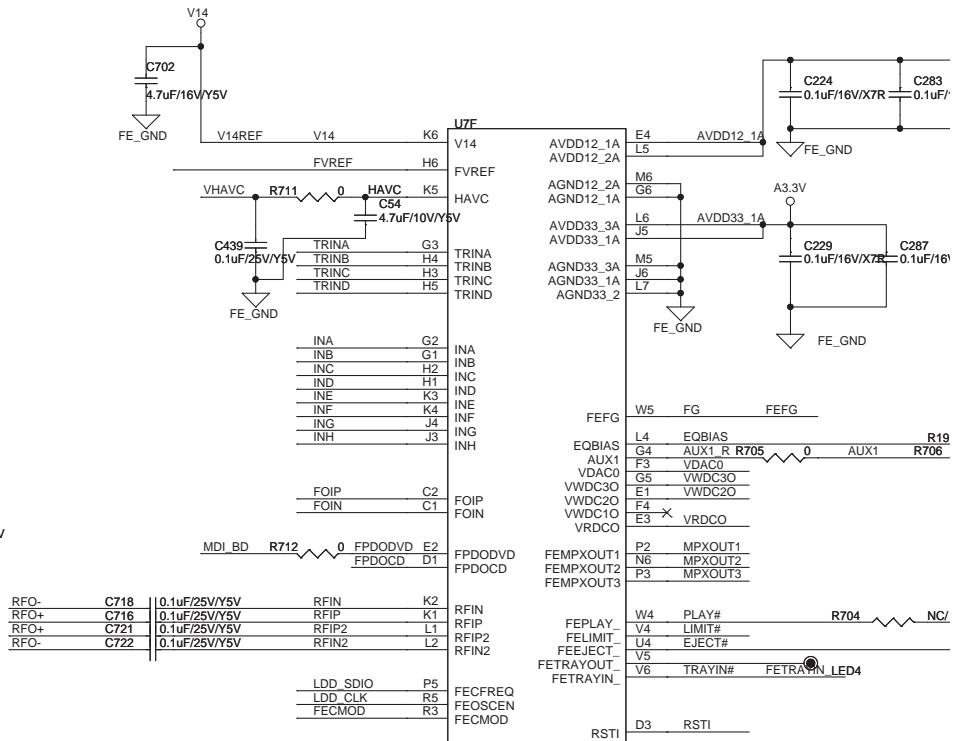
A



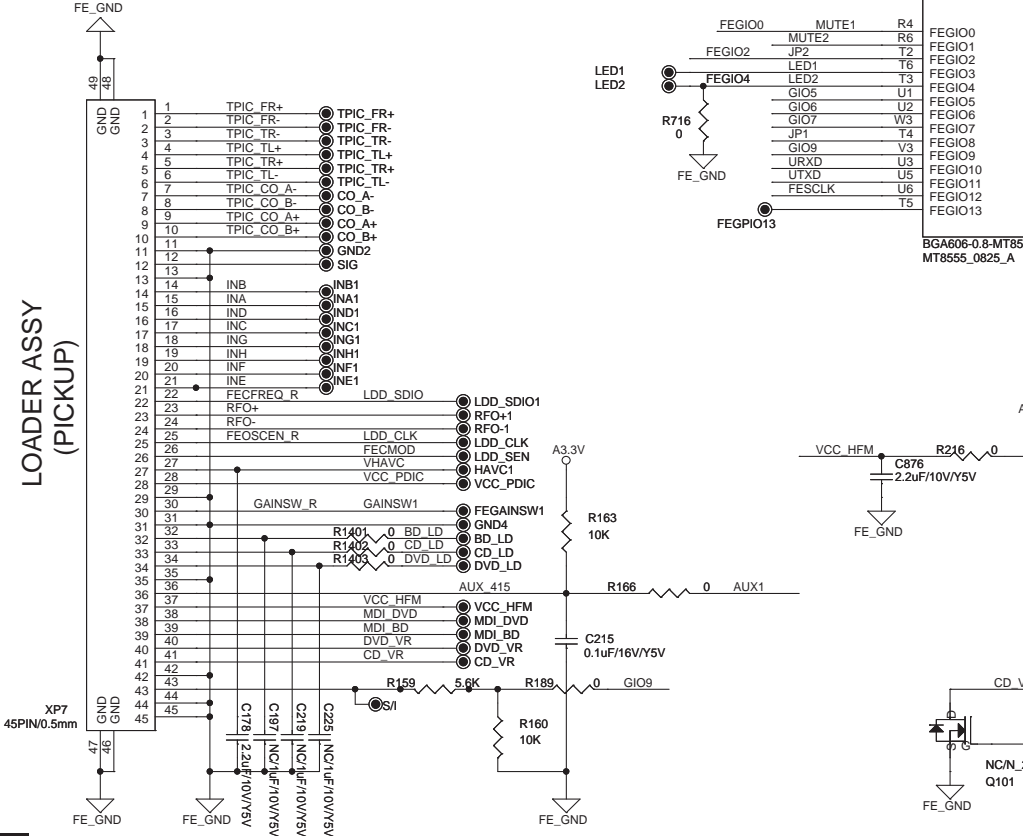
B



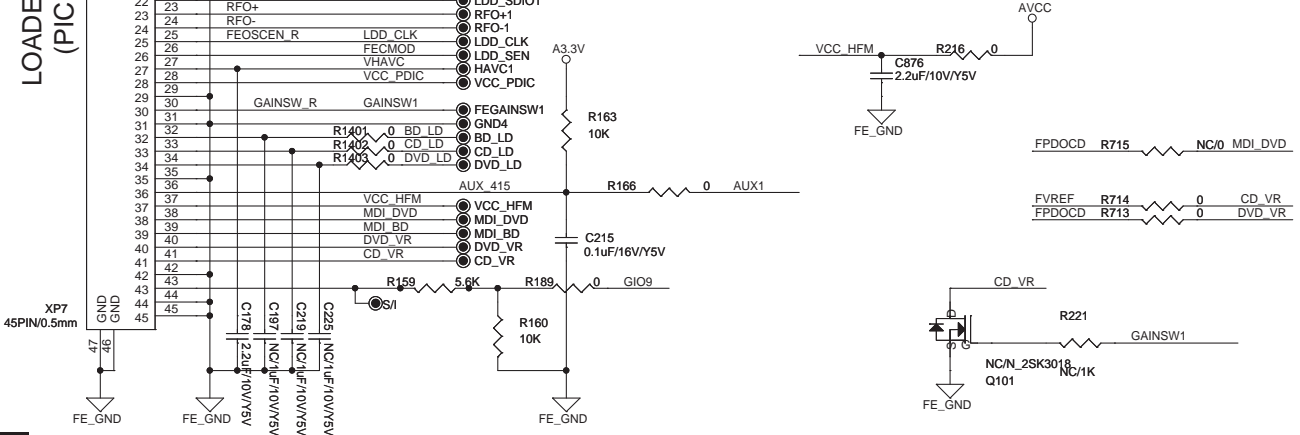
C



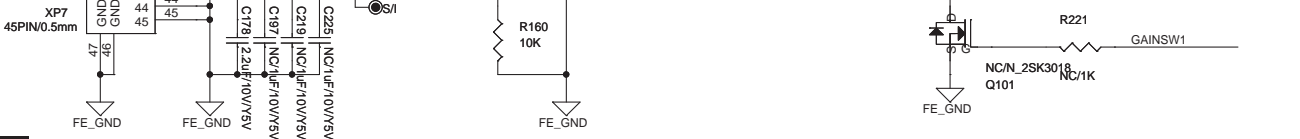
D



E



F



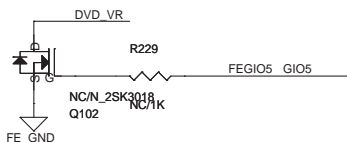
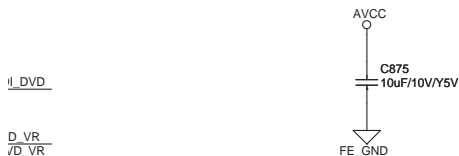
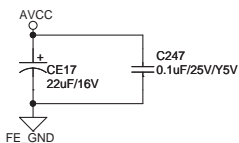
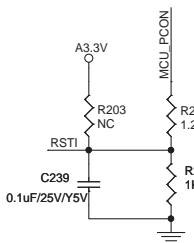
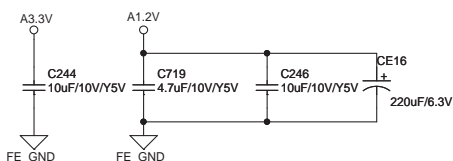
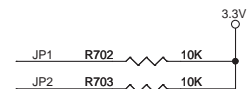
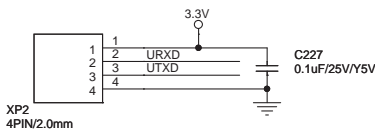
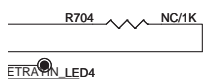
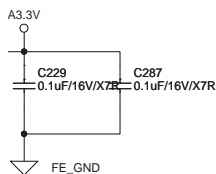
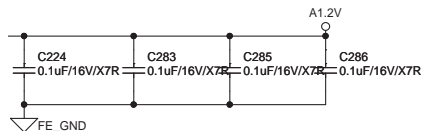
1

2

3

4

A5/13 MAIN BOARD ASSY (08-H555DU-MA1R/YXV) • MT8555 FE BLOCK



| | |
|---------|---------|
| RST1 | RST1 |
| RFO- | RFO- |
| RFO+ | RFO+ |
| VDAC0 | VDAC0 |
| TM88 | AUX_415 |
| VRDC0 | VRDC0 |
| VWDC20 | VWDC20 |
| VWDC30 | VWDC30 |
| TP86 | GAINSW1 |
| GAINSW2 | GAINSW2 |
| FESCLK | FESCLK |
| UTXD | UTXD |
| URXD | URXD |
| EJECT# | EJECT# |
| PLAY# | PLAY# |
| LIMIT# | LIMIT# |
| MUTE2 | TRAYIN# |
| MUTE1 | MUTE2 |
| FG | FG |
| TLO | TLO |
| FOO | FOO |
| TRO | TRO |
| FMO1 | FMO1 |
| FMO2 | FMO2 |
| FMO3 | FMO3 |
| FMO4 | FMO4 |
| DMO | DMO |

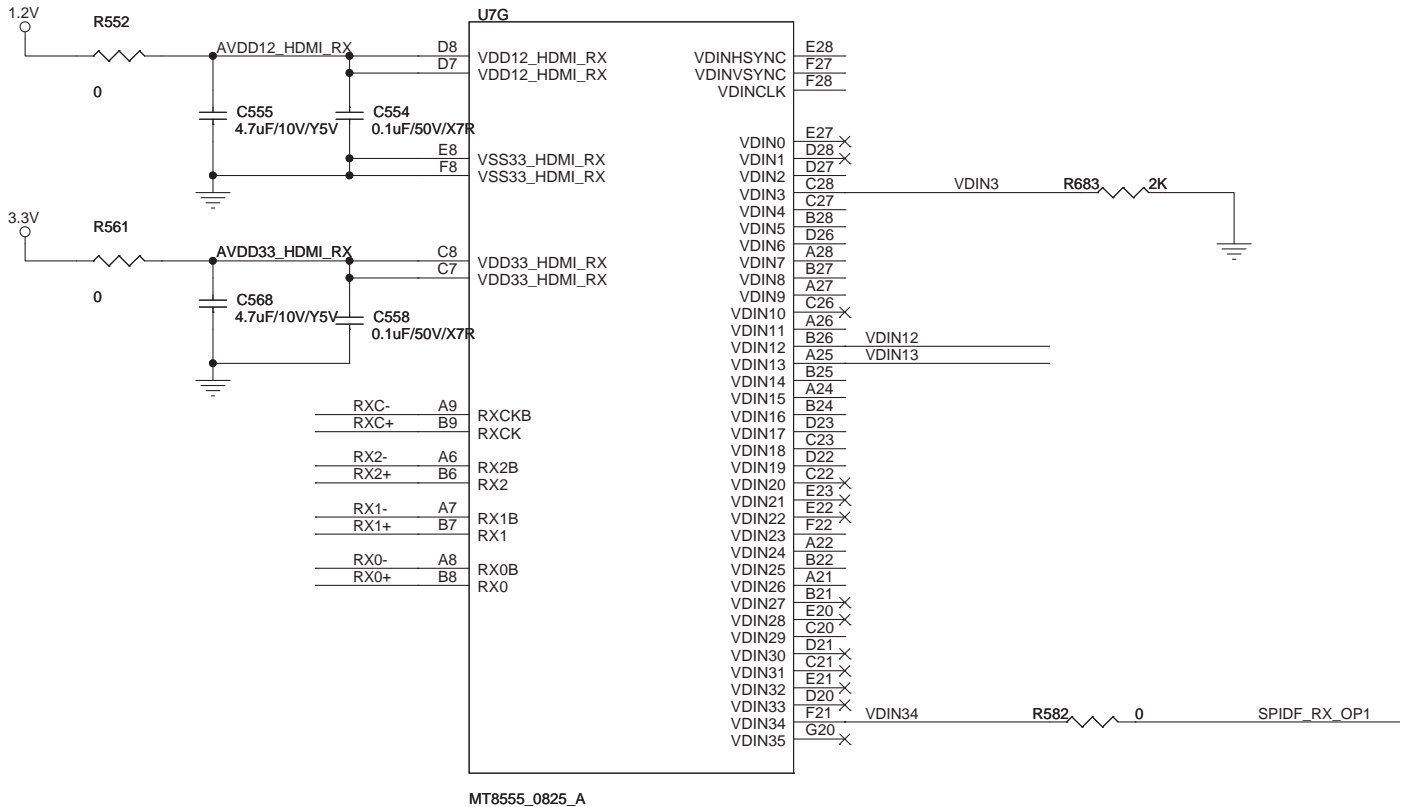
| | |
|----------|----------|
| TRINA | TRINA |
| TRINB | TRINB |
| TRINC | TRINC |
| TRIND | TRIND |
| INA | INA |
| INB | INB |
| INC | INC |
| IND | IND |
| INE | INE |
| INF | INF |
| ING | ING |
| INH | INH |
| FOIP | FOIP |
| FOIN | FOIN |
| FPDOCD | FPDOCD |
| V14 | V14 |
| HAVC | HAVC |
| JP2 | JP2 |
| GIO5 | GIO5 |
| GIO6 | GIO6 |
| GIO7 | GIO7 |
| JP1 | JP1 |
| GIO9 | GIO9 |
| MPXOUT1 | MPXOUT1 |
| MPXOUT2 | MPXOUT2 |
| MPXOUT3 | MPXOUT3 |
| LDD_SDIO | LDD_SDIO |
| LDD_CLK | LDD_CLK |
| TM10026 | TM10026 |
| FVREF | FVREF |

| | | |
|------------|------------|----|
| MCU_PCON | MCU_PCON | 8 |
| TPIC FR+ | TPIC FR+ | 11 |
| TPIC FR- | TPIC FR- | 11 |
| TPIC TL+ | TPIC TL+ | 11 |
| TPIC TL- | TPIC TL- | 11 |
| TPIC TR+ | TPIC TR+ | 11 |
| TPIC TR- | TPIC TR- | 11 |
| TPIC CO B- | TPIC CO B- | 11 |
| TPIC CO B+ | TPIC CO B+ | 11 |
| TPIC CO A+ | TPIC CO A+ | 11 |
| TPIC CO A- | TPIC CO A- | 11 |

| | | | | | |
|----------|------|----|--------------|--------------|----|
| FETRYPWM | R228 | 0 | TPIC TYPWM | TPIC_TYPWM | 11 |
| FEFMO2 | R227 | 0 | TPIC FMO2 | TPIC_FMO2 | 11 |
| FEFMO | R219 | 0 | TPIC FMO1 | TPIC_FMO1 | 11 |
| FETRAYIN | R167 | 1K | TPIC TRAYIN# | TPIC_TRAYIN# | 11 |
| FEFG | | | TPIC FG | TPIC_FG | 11 |
| FEGIO0 | | | TPIC MUTE1 | TPIC_MUTE1 | 11 |
| FEGIO2 | R232 | 0 | TPIC GIO2 | TPIC_GIO2 | 11 |
| VWDC20 | | | TPIC VWDC20 | TPIC_VWDC20 | 11 |
| DVD_LD | | | TPIC DVD_LD | TPIC_DVD_LD | 11 |
| CD_LD | | | TPIC CD_LD | TPIC_CD_LD | 11 |
| BD_LD | | | TPIC BD_LD | TPIC_BD_LD | 11 |

10.6 MAIN BOARD ASSY (6/13)

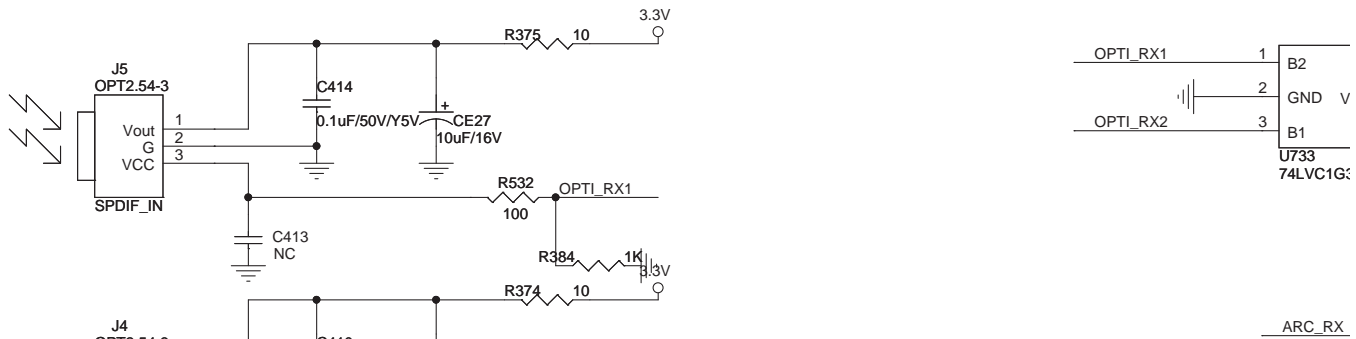
A



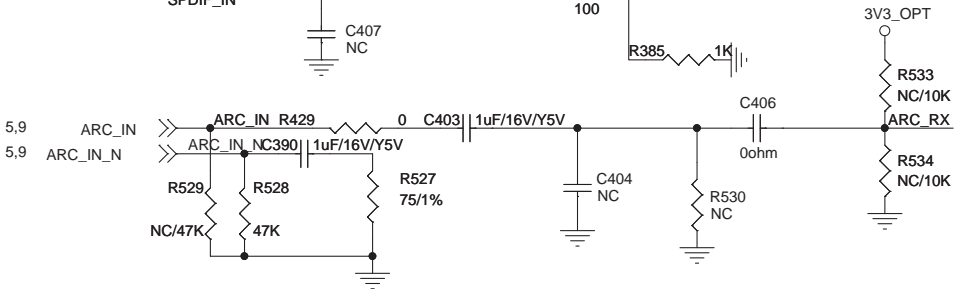
B

C

D



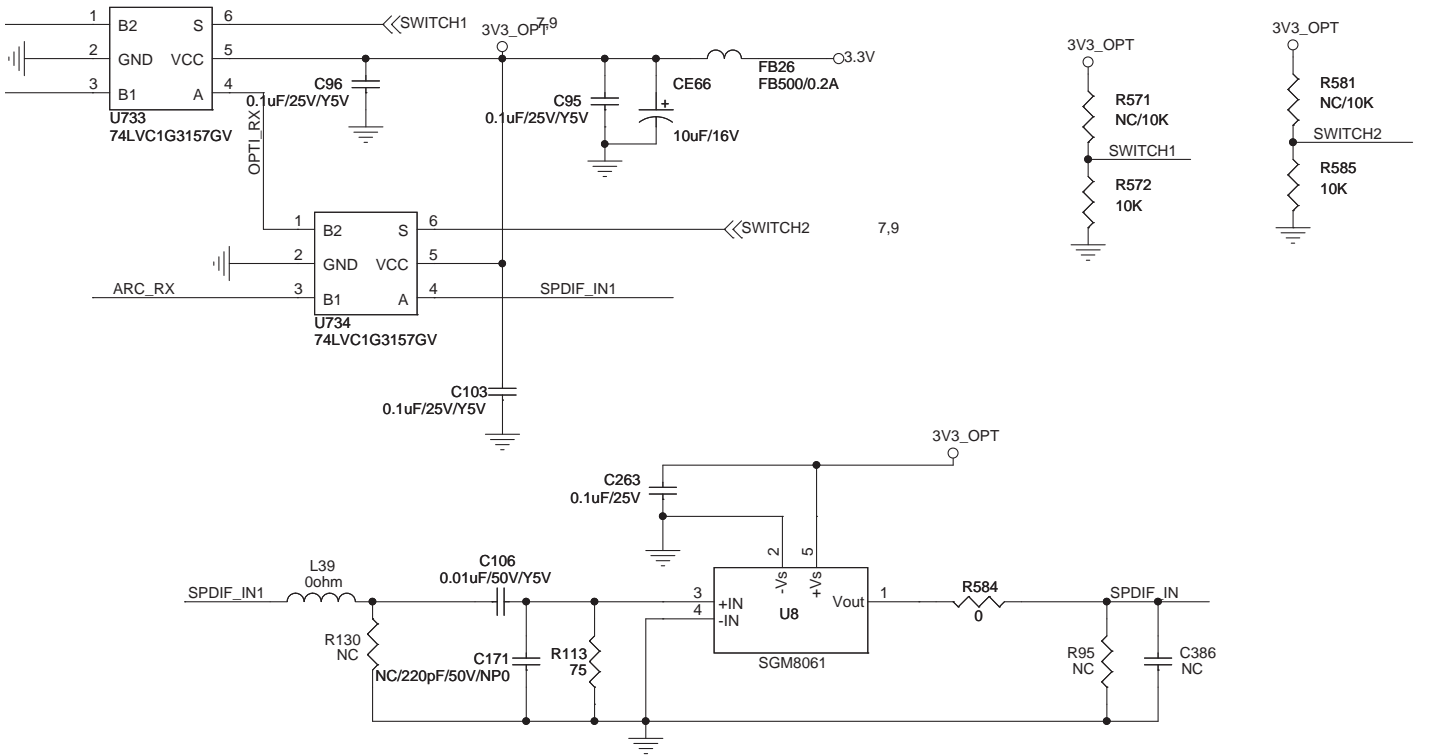
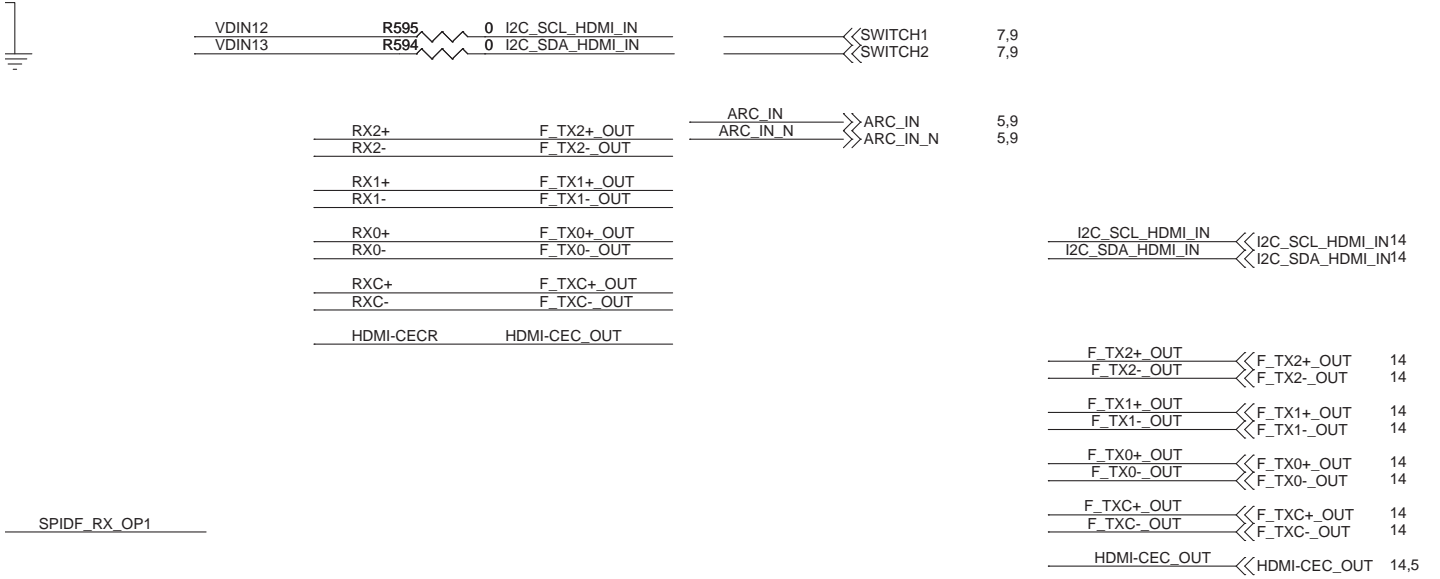
E



F

A/6/13 MAIN BOARD ASSY (08-H555DU-MA1R/YXV) • MT8555 HDMI IN & SPDIF BLOCK

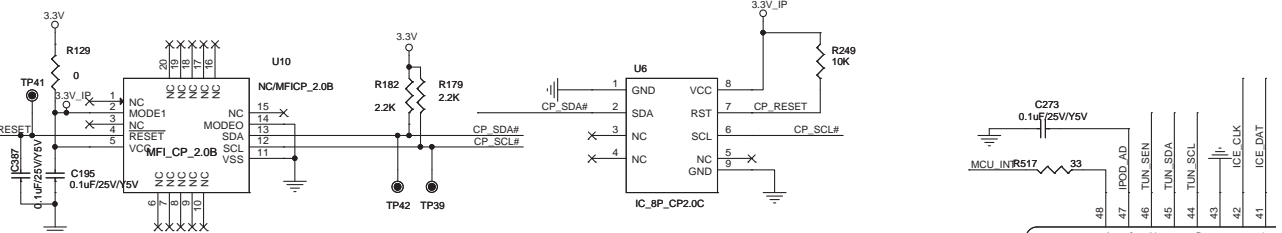
A
B
C
D
E
F



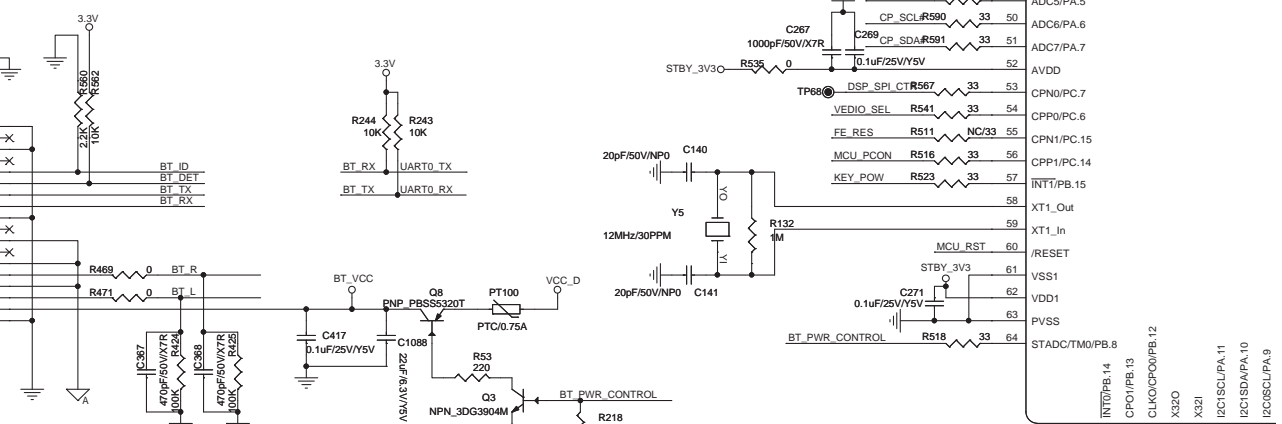
10.7 MAIN BOARD ASSY (7/13)

1 2 3 4

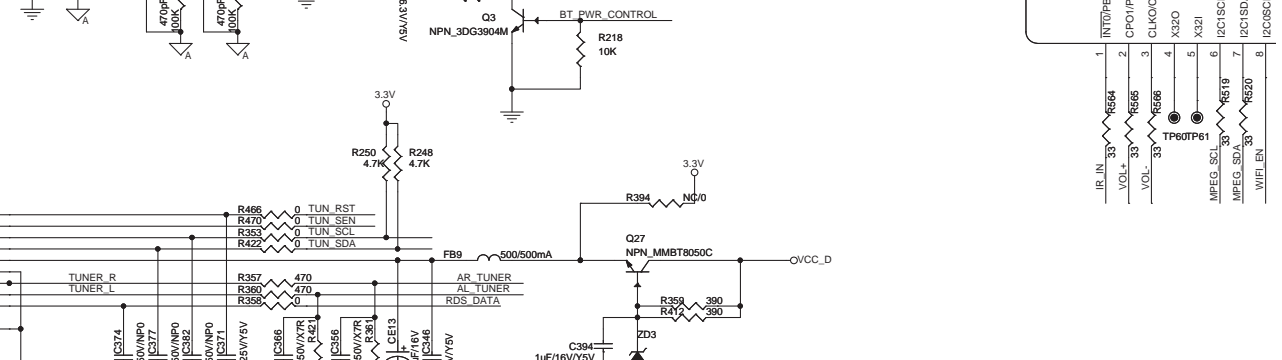
A



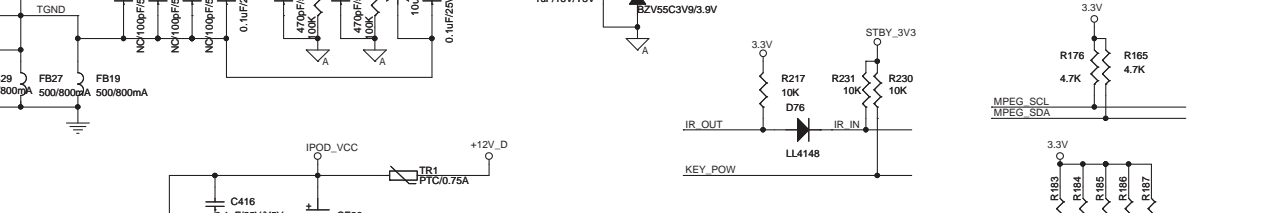
B



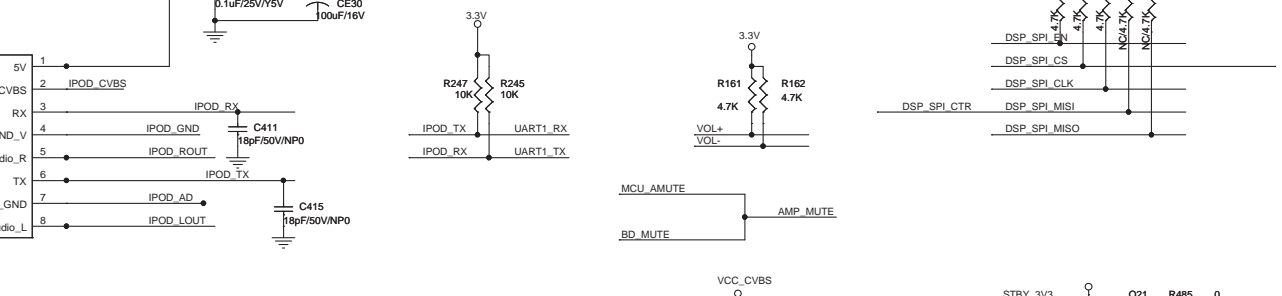
C



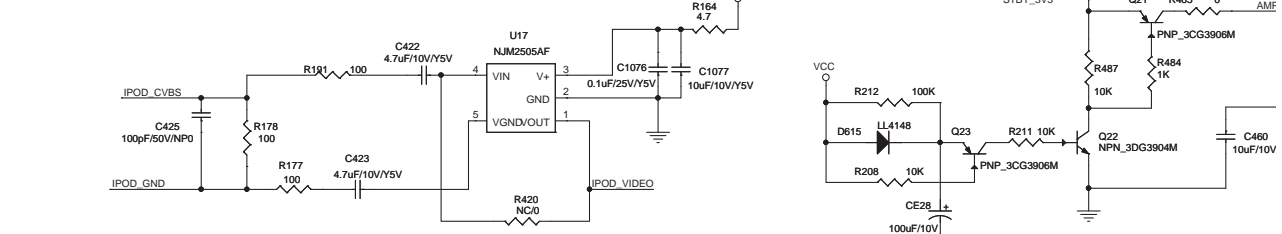
D



E



F

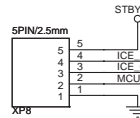
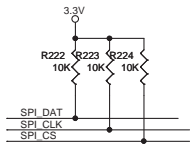
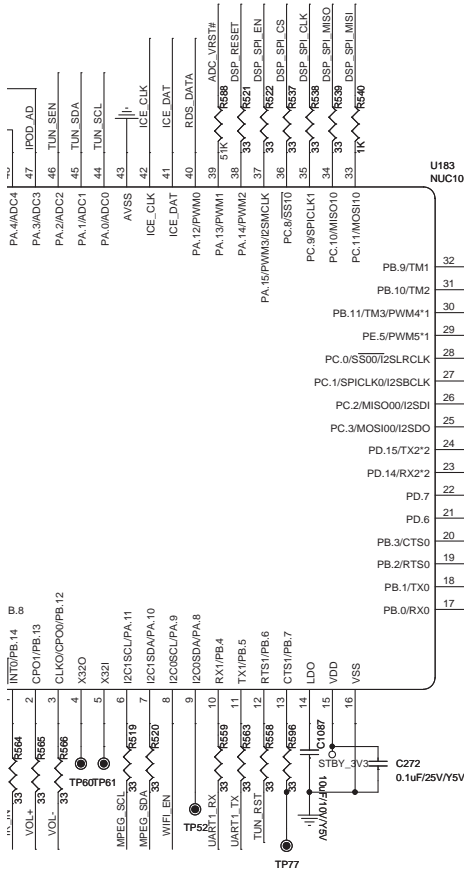


1 2 3 4

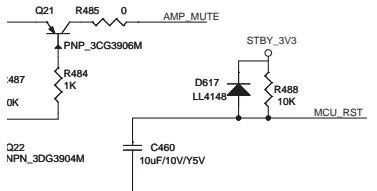
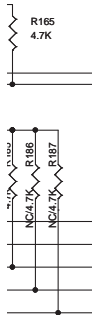
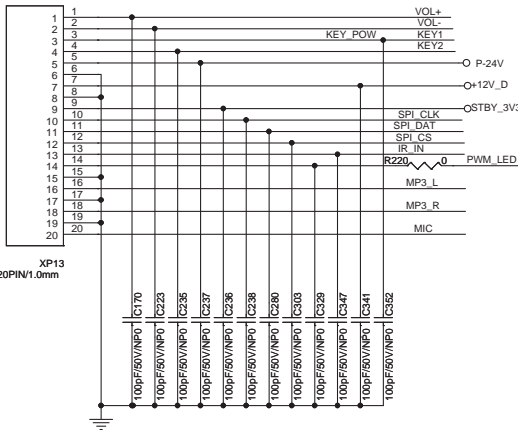
A 7/13 MAIN BOARD ASSY

(08-H55DU-MA1R/YXV)

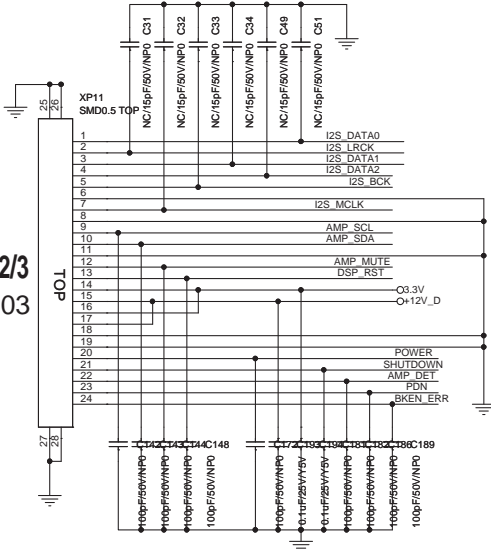
• MCU NUC100 BLOCK



B XP3



C 2/3 XP703



- WIFI_EN <<WIFI_EN 6
- MCU_PCON <<MCU_PCON 6
- FE_RES <<FE_RES 2
- MCU_INT <<MCU_INT 7
- MPEG_SCL <<MCU_SCL 6
- MPEG_SDA <<MCU_SDA 6
- IR_OUT <<IR_OUT 7
- DSP_SPL_EN <<DSP_SPL_EN 13
- DSP_SPL_CS <<DSP_SPL_CS 13
- DSP_SPL_CLK <<DSP_SPL_CLK 13
- DSP_SPL_MISO <<DSP_SPL_MISO 13
- DSP_SPL_MISI <<DSP_SPL_MISI 13
- DSP_RESET <<DSP_RESET 13
- VEDIO_SEL <<VEDIO_SEL 12
- I2S_BCK <<SCLK_OUT 13
- I2S_LRCK <<LRCK_OUT 13
- I2S_MCLK <<DSP_MCLK 13
- I2S_LRCK_OUT <<I2S_LRCK_OUT 12,13,15
- AOMCLK <<AOMCLK 12,13,15
- I2SOUT_0 <<I2S_DATA0 13
- I2SOUT_1 <<I2S_DATA1 13
- I2SOUT_2 <<I2S_DATA2 13
- BD_MUTE <<BD_MUTE 5
- IPOD_ROUT <<IPOD_ROUT 12
- IPOD_LOUT <<IPOD_LOUT 12
- AR_TUNER <<AR_TUNER 12
- AL_TUNER <<AL_TUNER 12
- BT_R <<BT_R 12
- BT_L <<BT_L 12
- MP3_R <<MP3_R 12
- MP3_L <<MP3_L 12
- MIC <<MIC 12
- IPOD_VIDEO <<IPOD_VIDEO 12
- ADC_DATA <<ADC_DATA 12
- ADC_CLK <<ADC_CLK 12
- ADC_VRST# <<ADC_VRST# 12

10.8 MAIN BOARD ASSY (8/13)

A

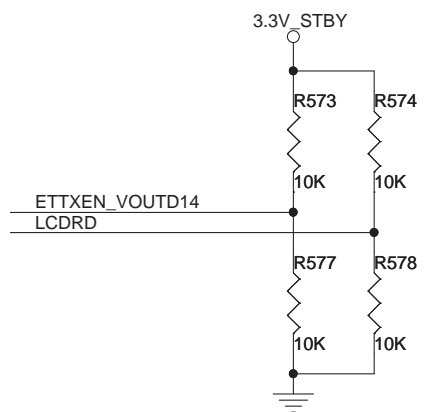
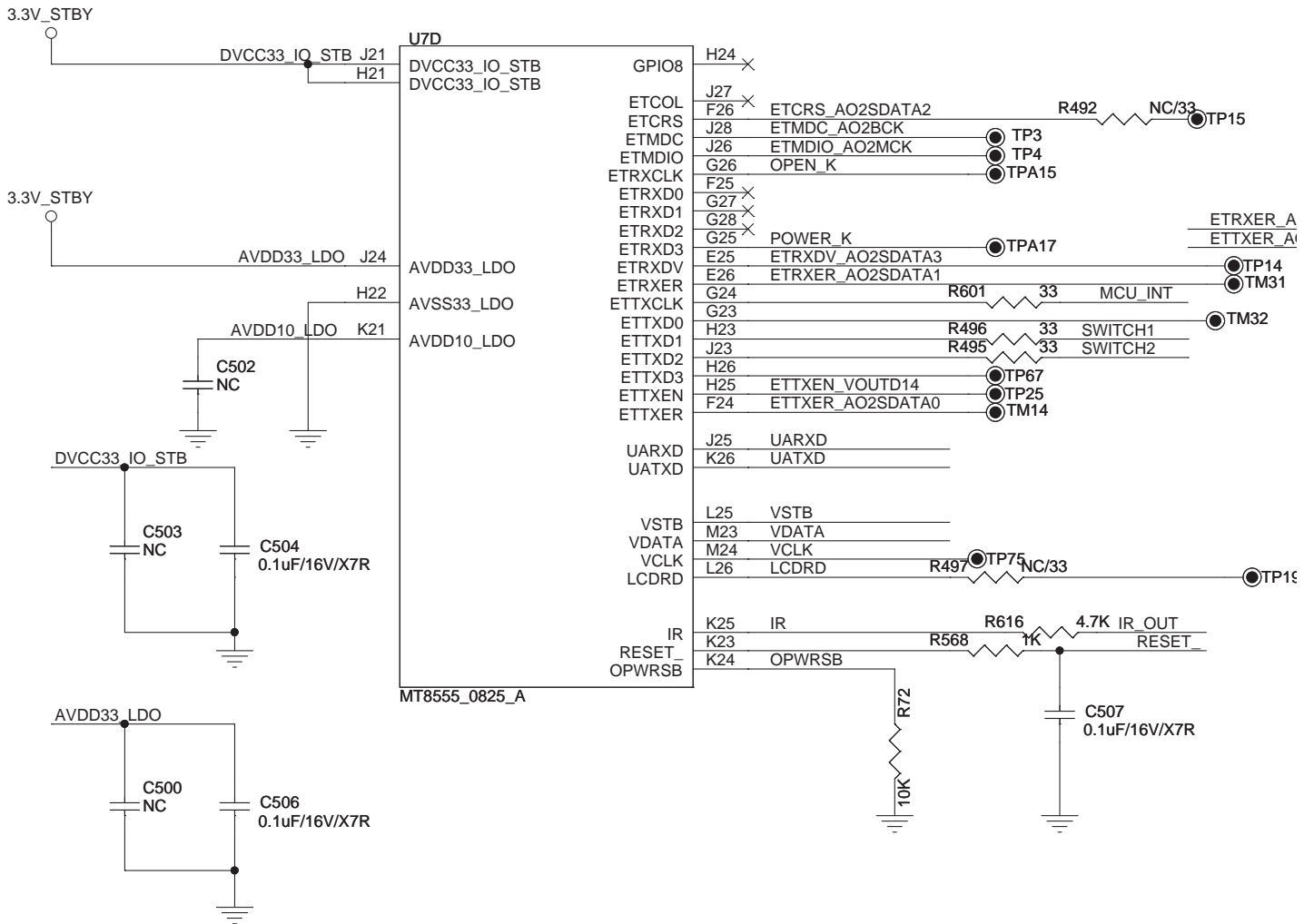
B

C

D

E

F



A 8/13 MAIN BOARD ASSY (08-H555DU-MA1R/YXV) • MT8555 VFD & IR BLOCK

NC/33 TP15

ETRXER_AO2SDATA1 R575 0 OUT_DDC_DAT
ETTXER_AO2SDATA0 R576 0 OUT_DDC_CLK

TP14
TM31
INT
TM32
H1
H2

SWITCH1 9
SWITCH2 9
IR_OUT << IR_OUT 7,8

IR_OUT << IR_OUT 7,8
RESET >> 2
MCU_INT << MCU_INT 8

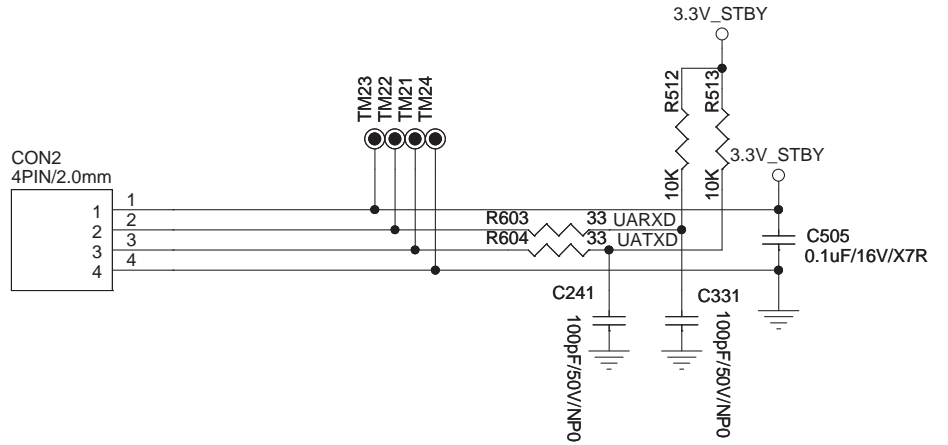
OUT_DDC_CLK << OUT_DDC_CLK 14
OUT_DDC_DAT << OUT_DDC_DAT 14

VDATA1 VDATA
VSTB1 VSTB

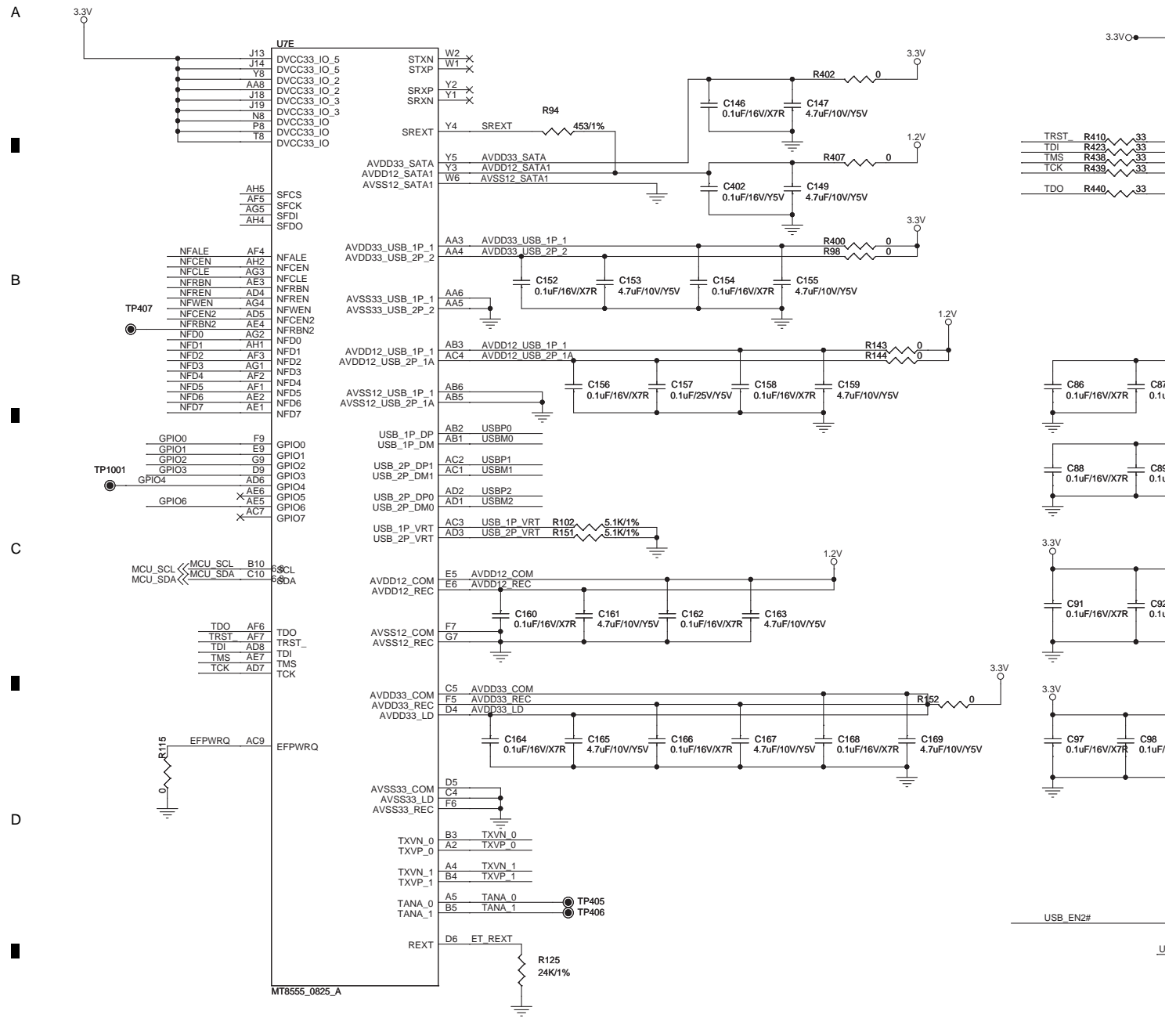
TP19

OUT
RESET

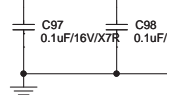
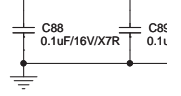
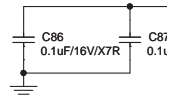
6V/X7R



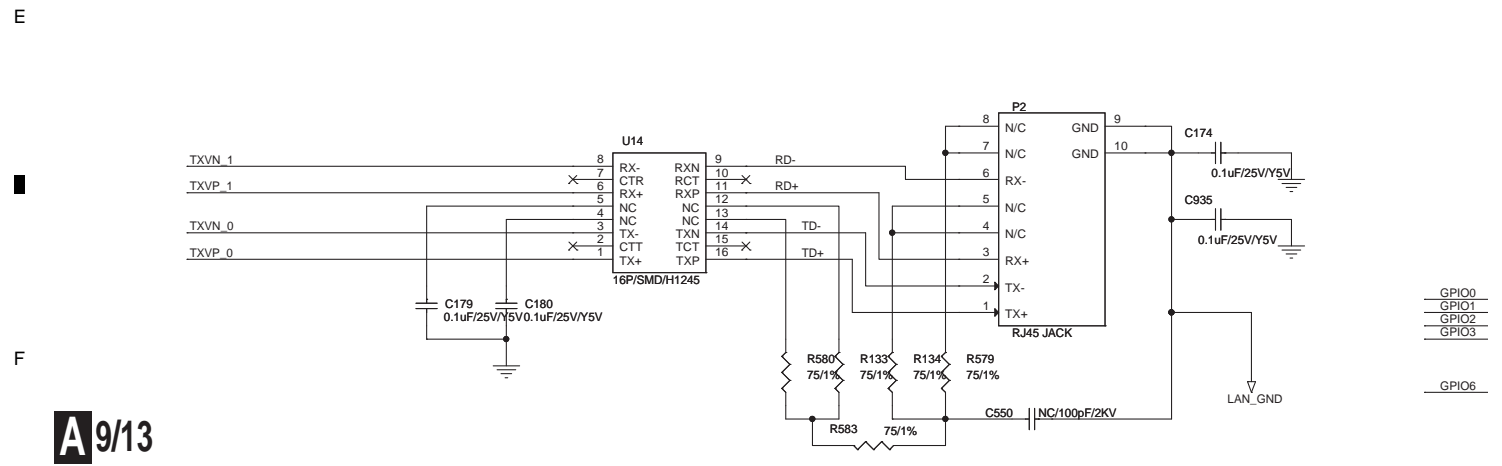
10.9 MAIN BOARD ASSY (9/13)



| | | |
|------|------|----|
| TRST | R410 | 33 |
| TDI | R423 | 33 |
| TMS | R436 | 33 |
| TCK | R439 | 33 |
| TDO | R440 | 33 |

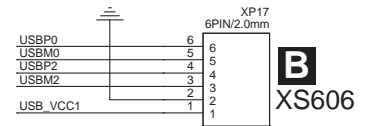
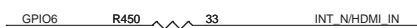
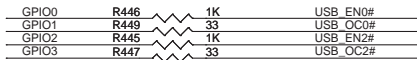
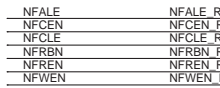
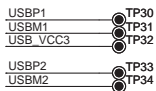
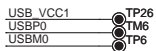
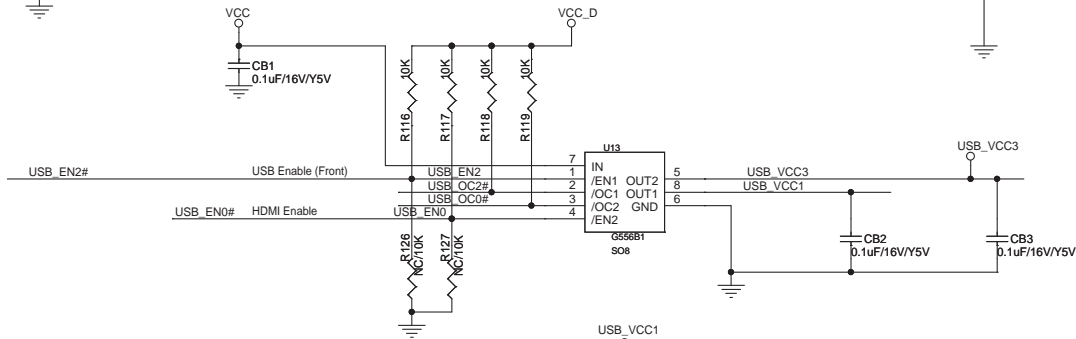
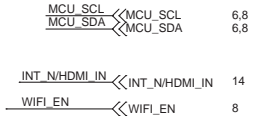
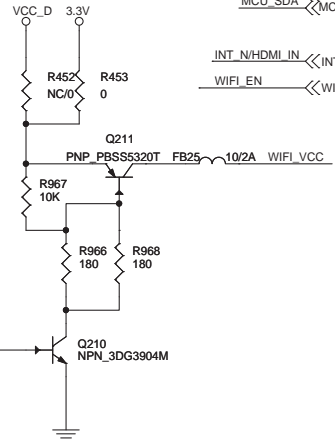
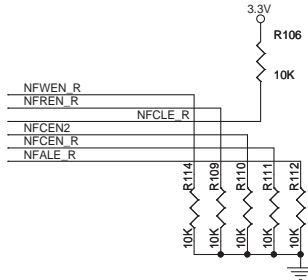
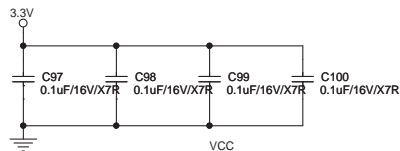
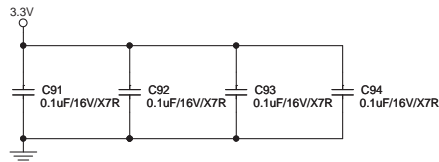
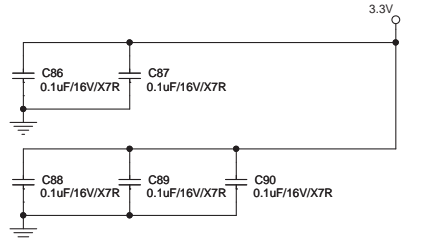
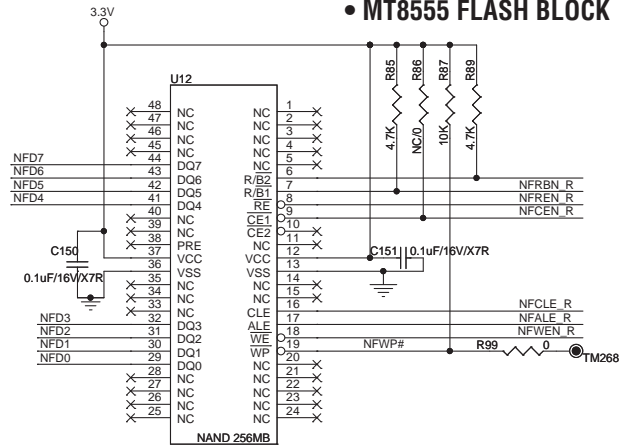
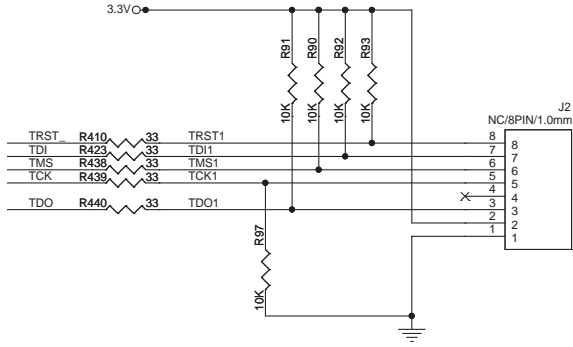


USB_EN#

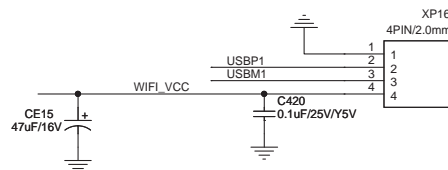


| |
|-------|
| GPIO0 |
| GPIO1 |
| GPIO2 |
| GPIO3 |
| GPIO6 |

A9/13 MAIN BOARD ASSY (08-H555DU-MA1R/YXV) • MT8555 FLASH BLOCK



B
XS606



10.10 MAIN BOARD ASSY (10/13)

1 2 3 4

A

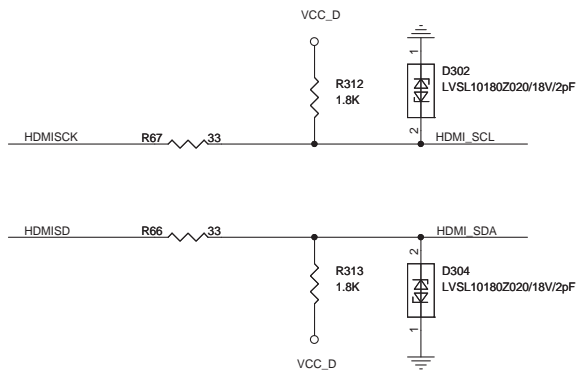
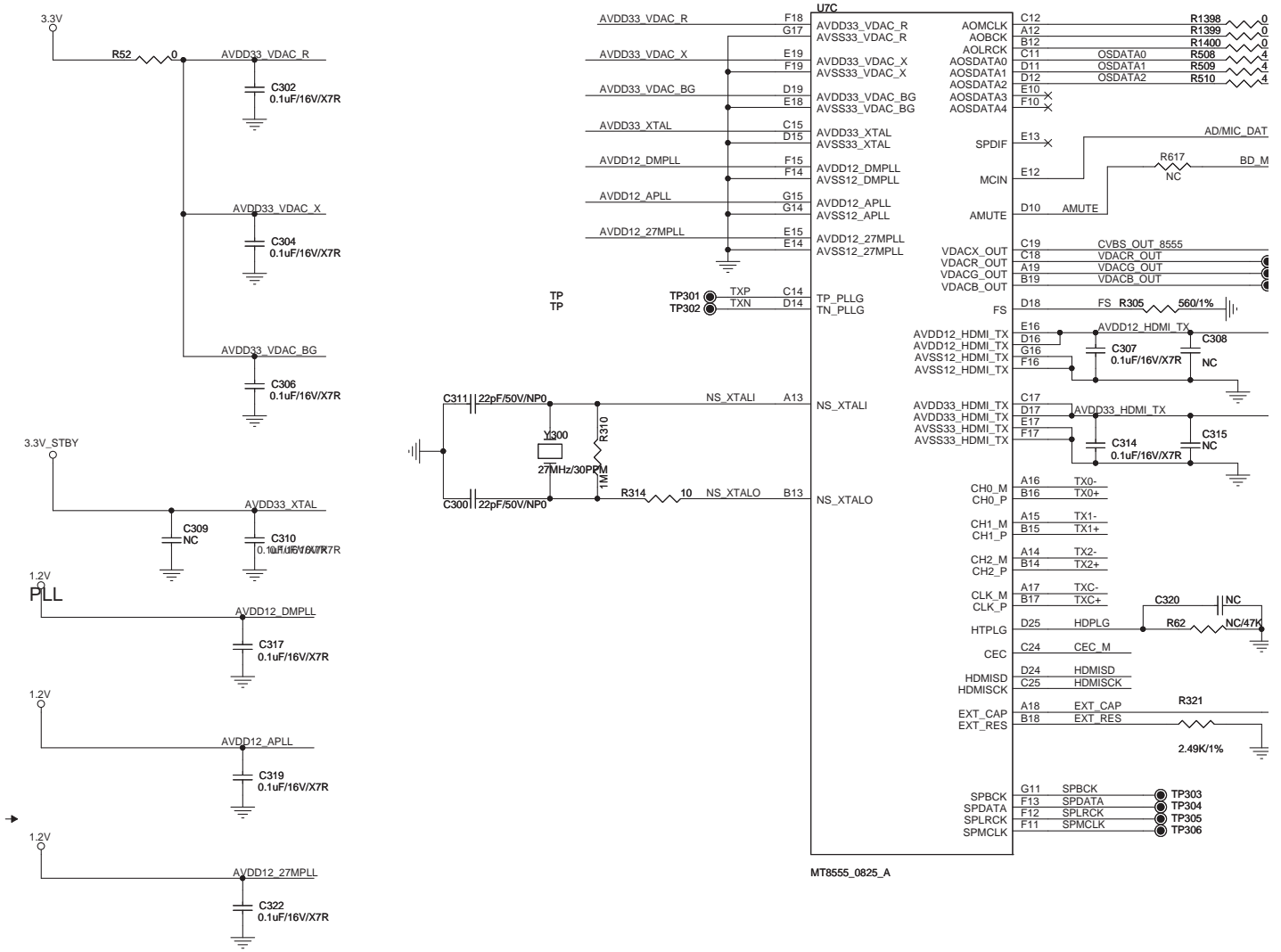
B

C

D

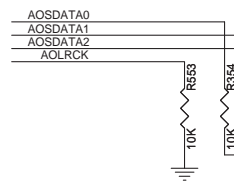
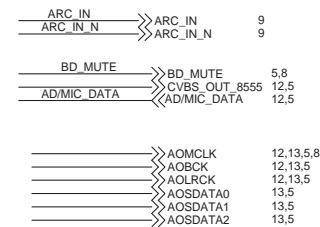
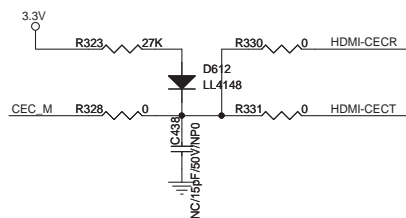
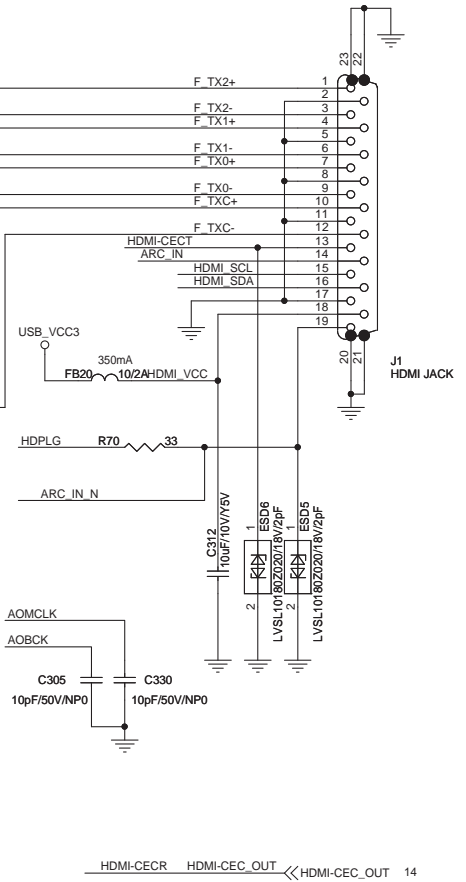
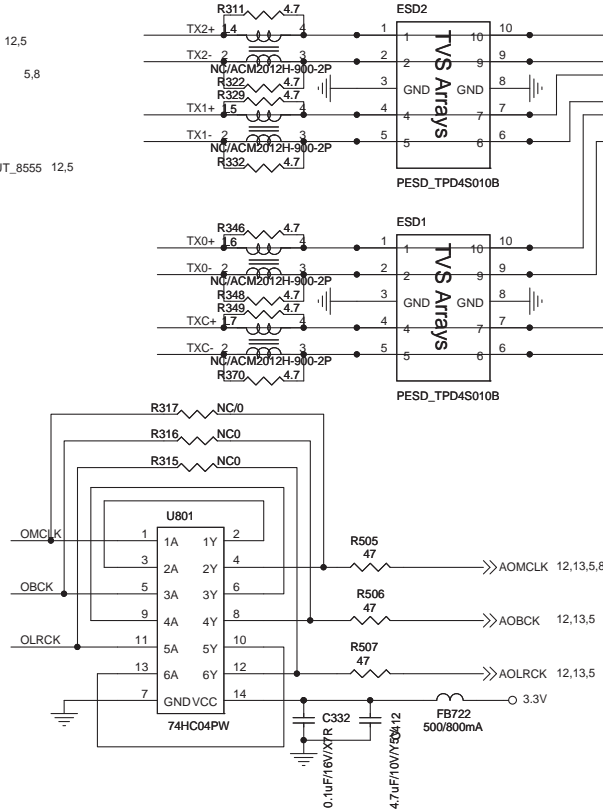
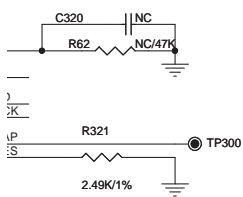
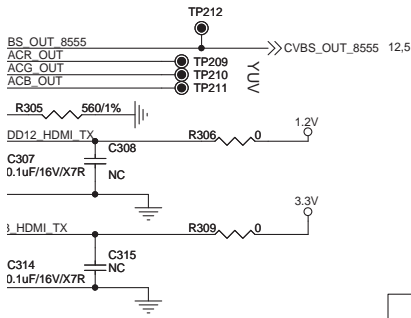
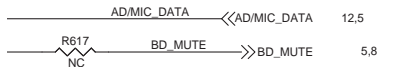
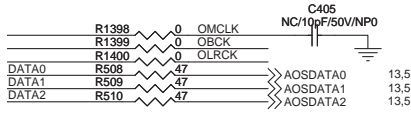
E

F

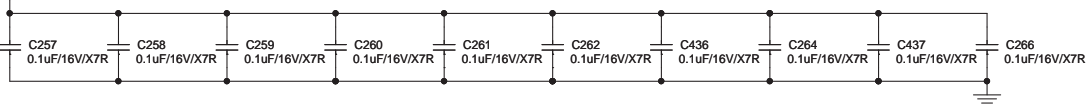
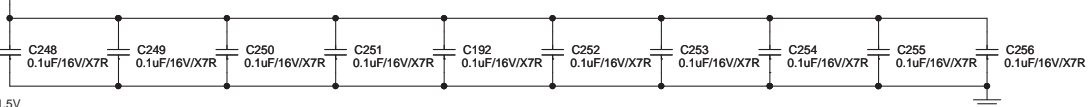
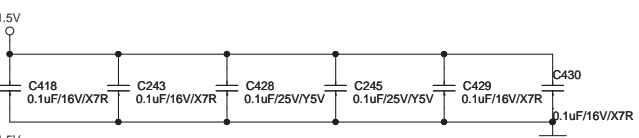
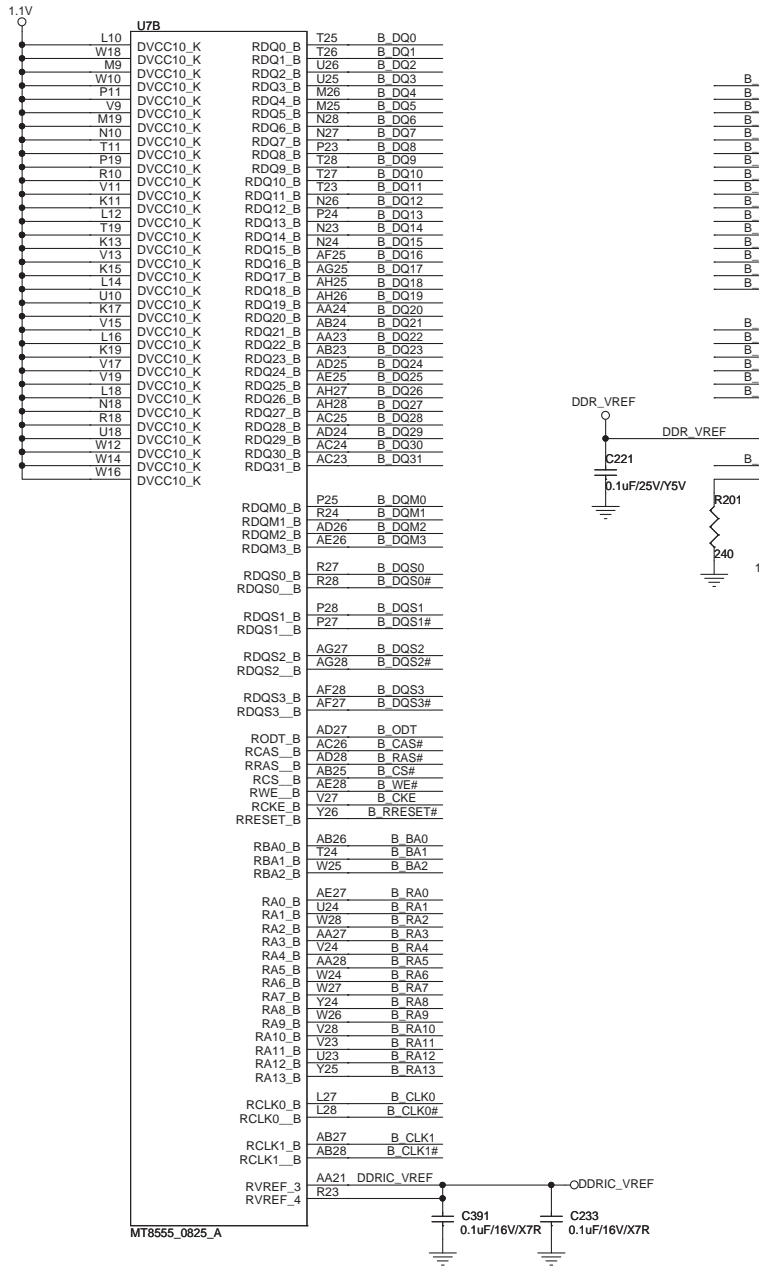
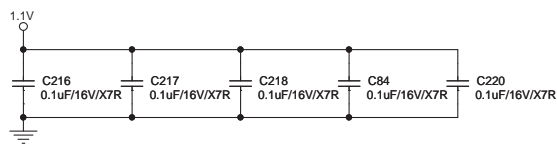
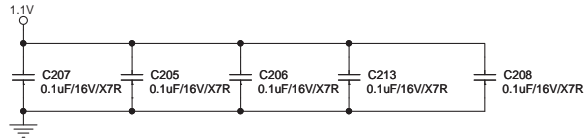
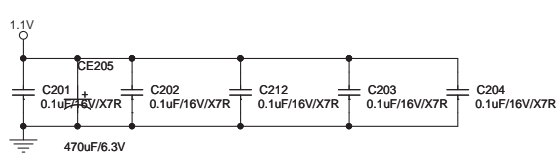


1 2 3 4

A 10/13 MAIN BOARD ASSY (08-H555DU-MA1R/YXV) • MT8555 HDMI OUT BLOCK

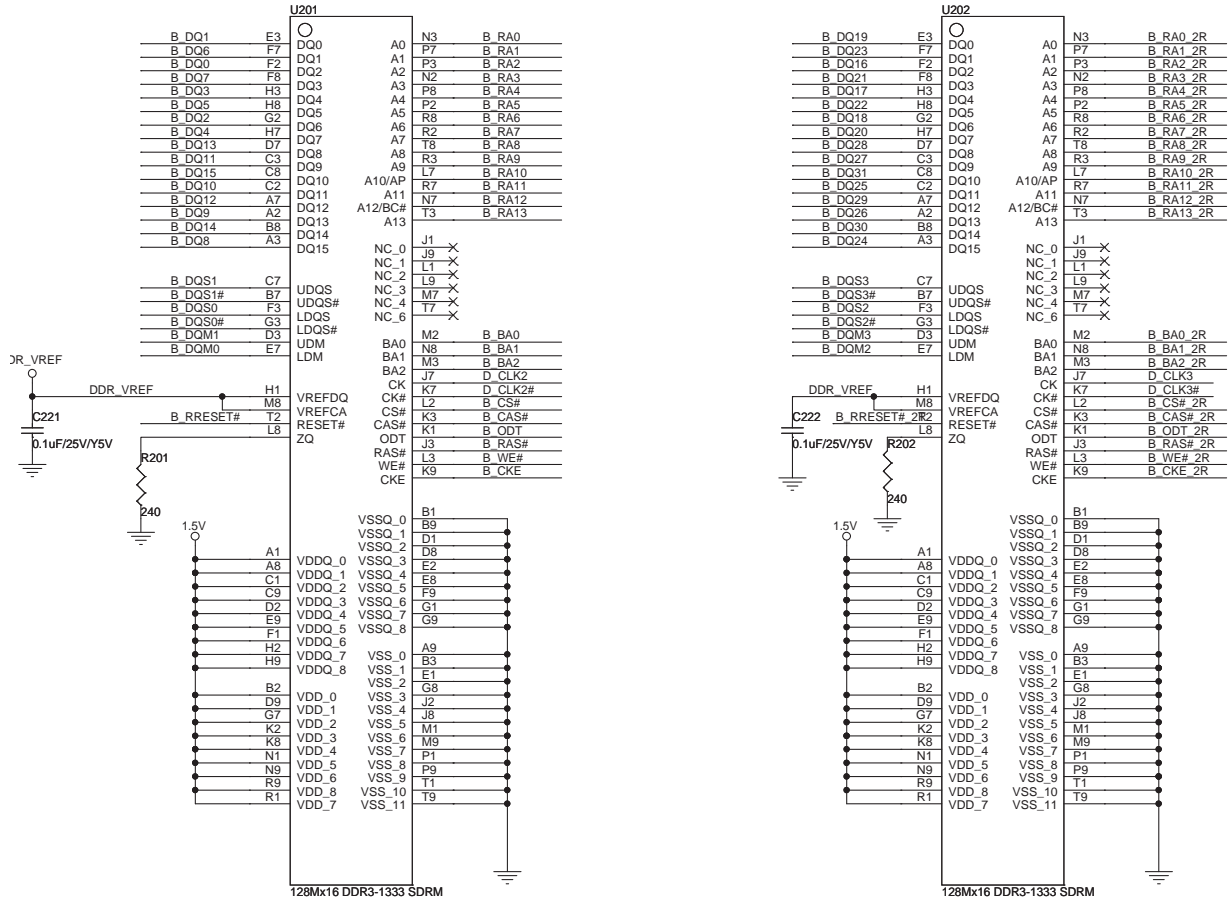


10.11 MAIN BOARD ASSY (11/13)

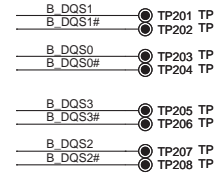
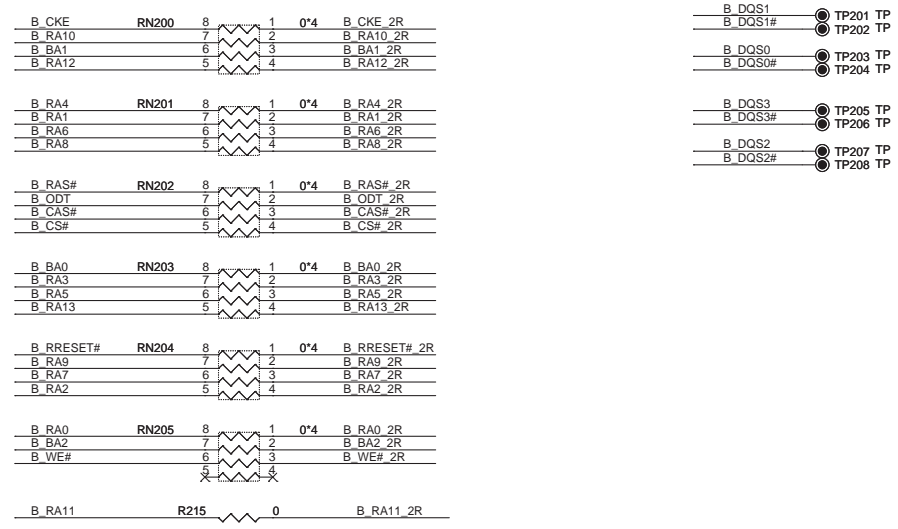


A 11/13 MAIN BOARD ASSY (08-H555DU-MA1R/YXV)

• MT8555 DDR PART II BLOCK



JDRIC_VREF
133
uF/16V/X7R



10.12 MAIN BOARD ASSY (12/13)

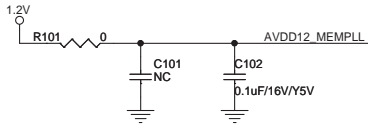
1

2

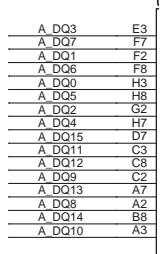
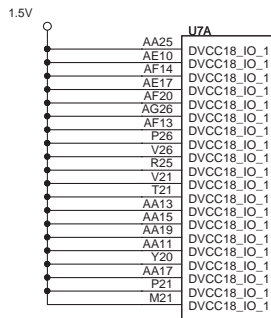
3

4

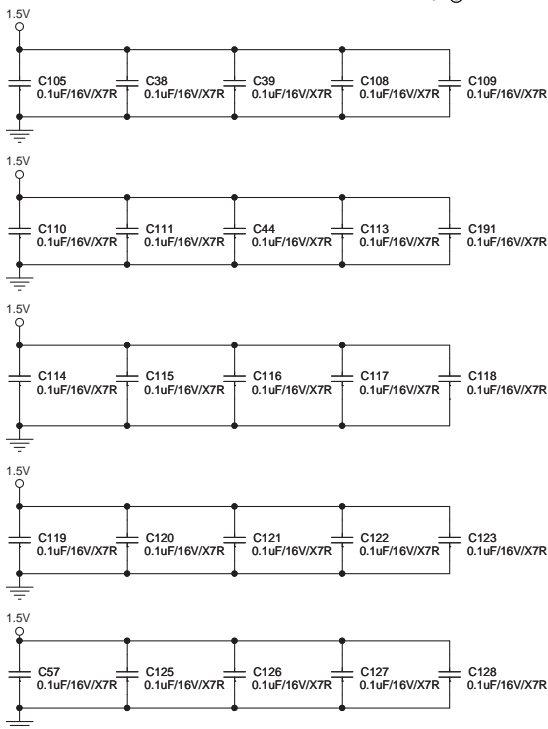
A



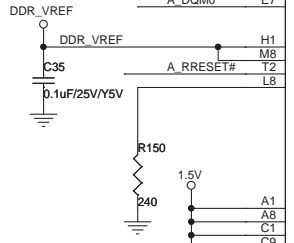
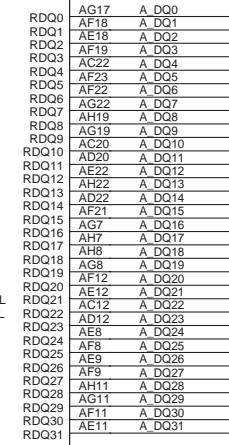
B



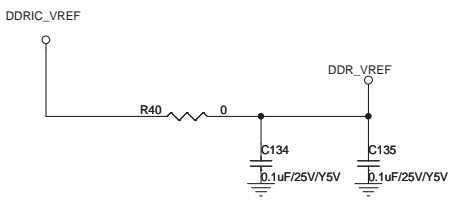
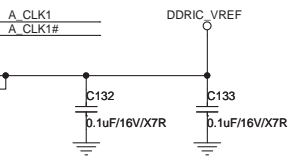
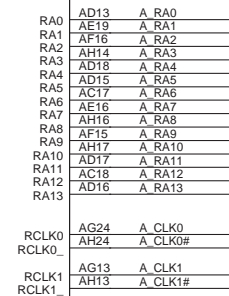
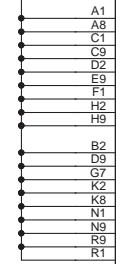
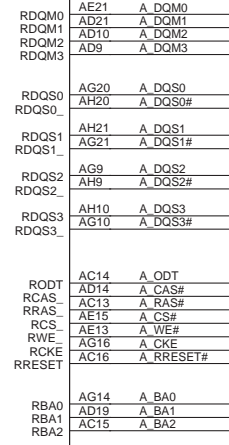
C



E



F



1

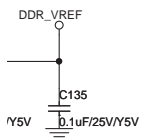
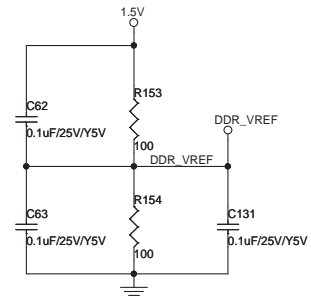
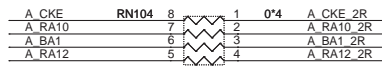
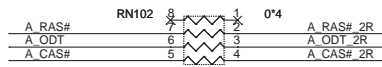
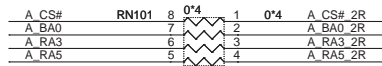
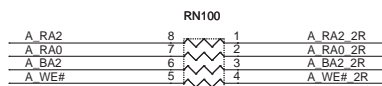
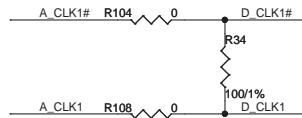
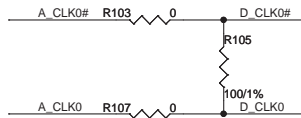
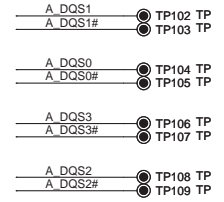
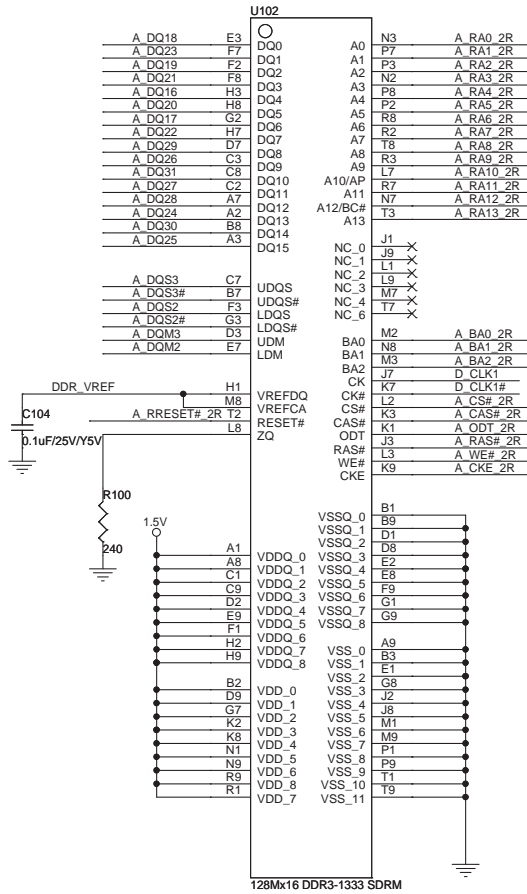
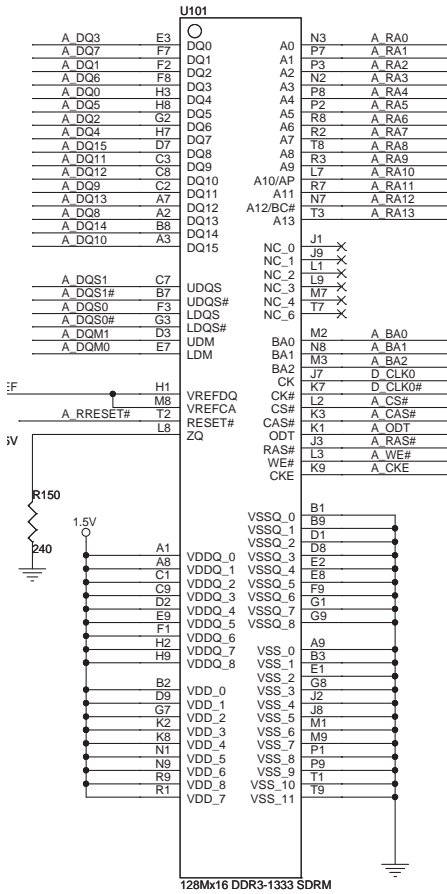
2

3

4

A 12/13 MAIN BOARD ASSY (08-H555DU-MA1R/YXV)

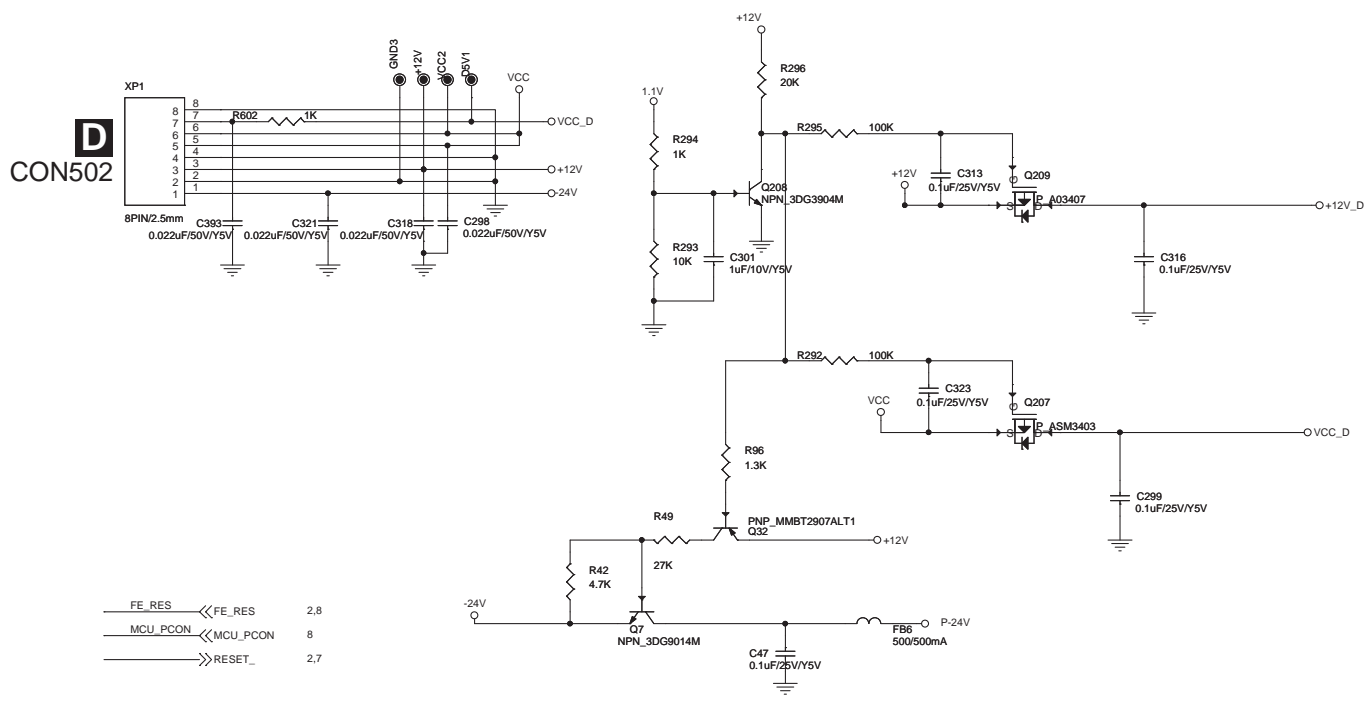
• MT8555 DDR PART I BLOCK



10.13 MAIN BOARD ASSY (13/13)

1 2 3 4

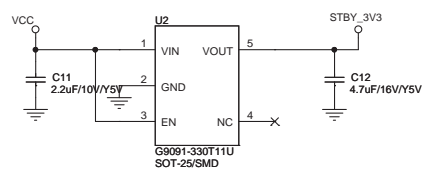
A



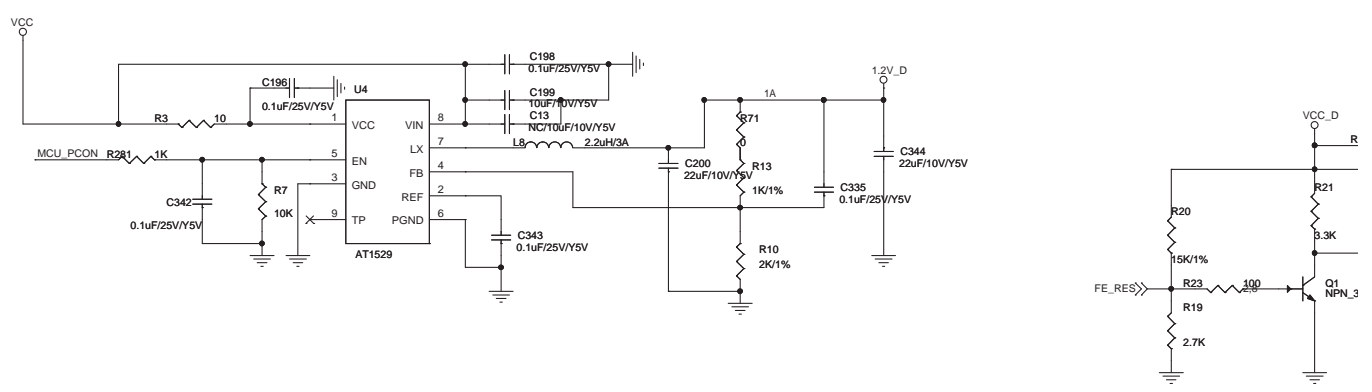
B

C

D



E

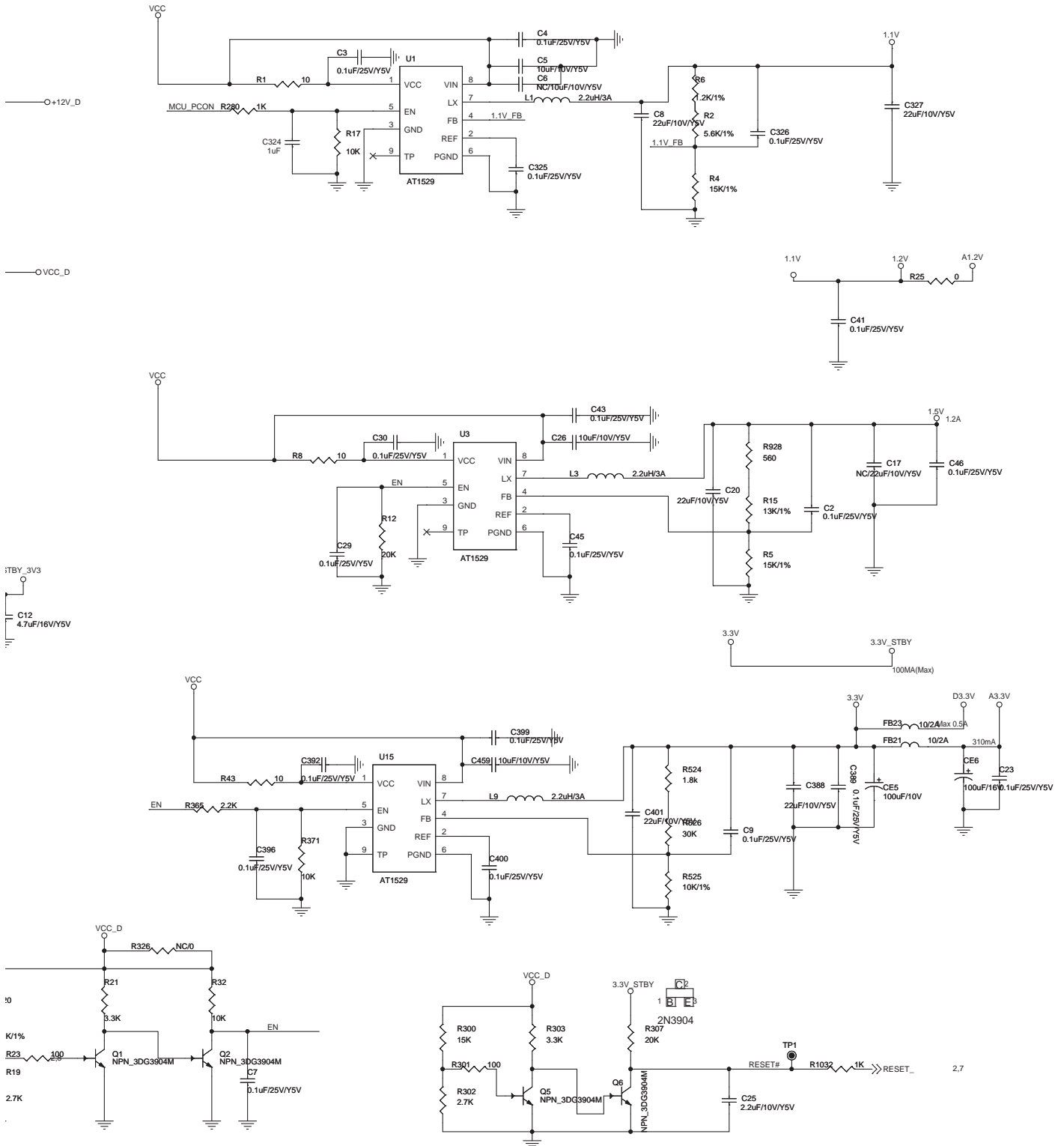


F

1 2 3 4

A 13/13 MAIN BOARD ASSY (08-H555DU-MA1R/YXV)

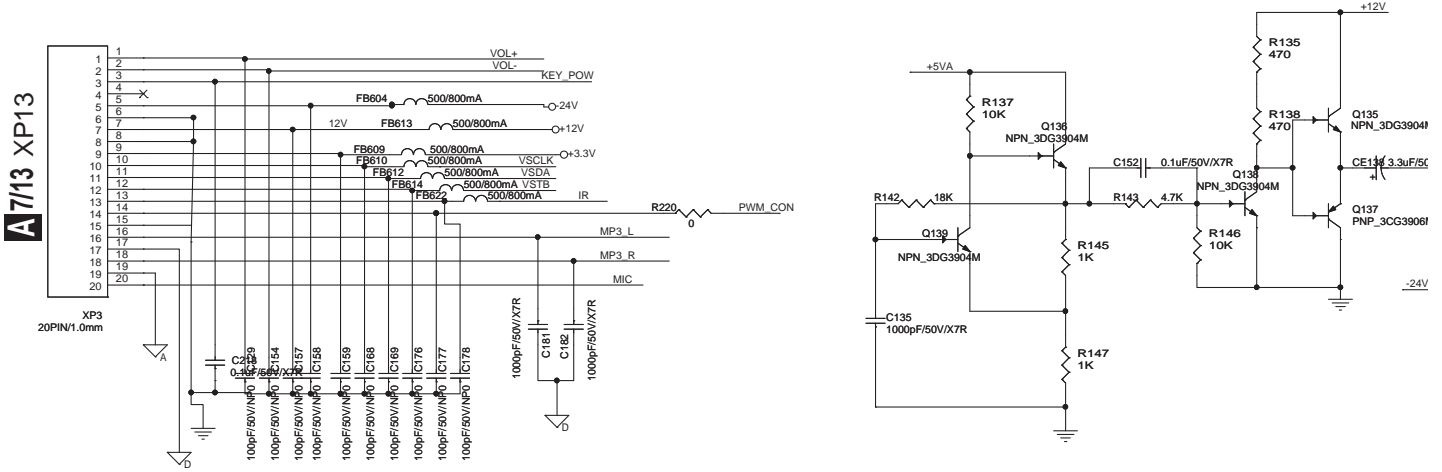
• Power Source BLOCK



10.14 FRONT BOARD ASSY

1 2 3 4

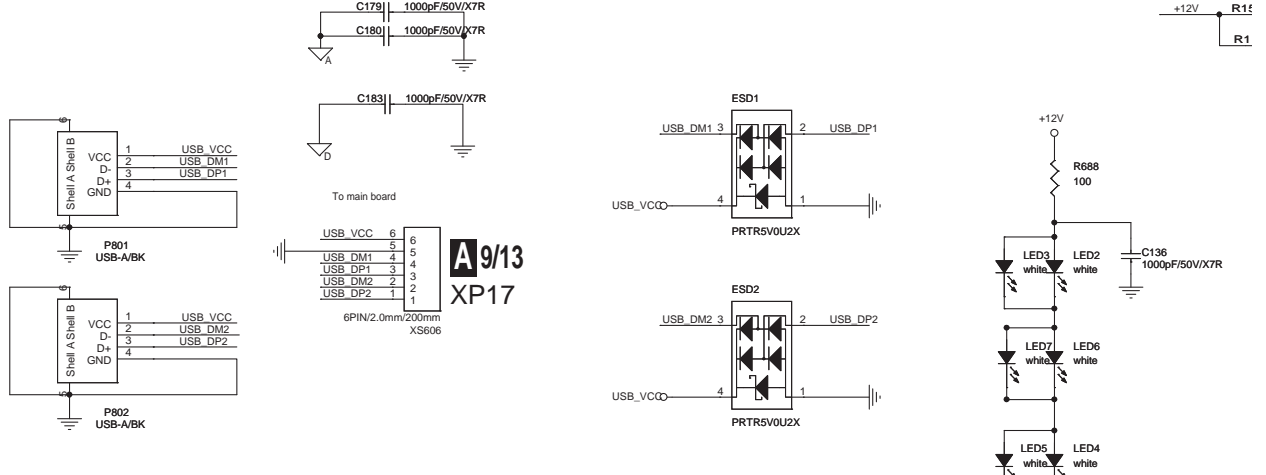
A



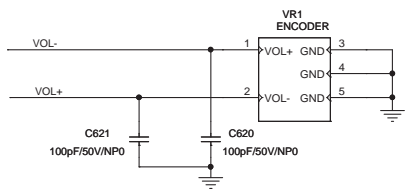
B



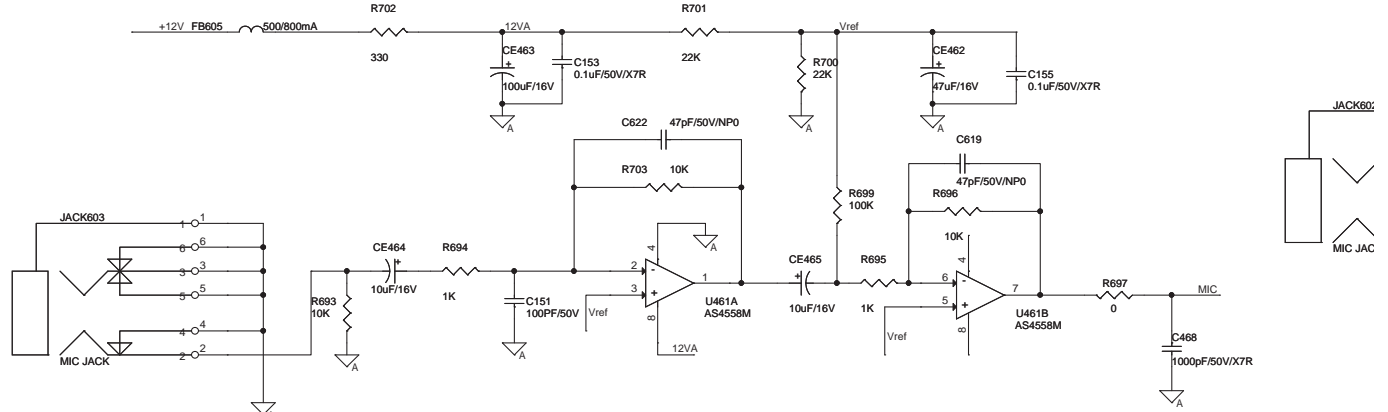
C



D



E

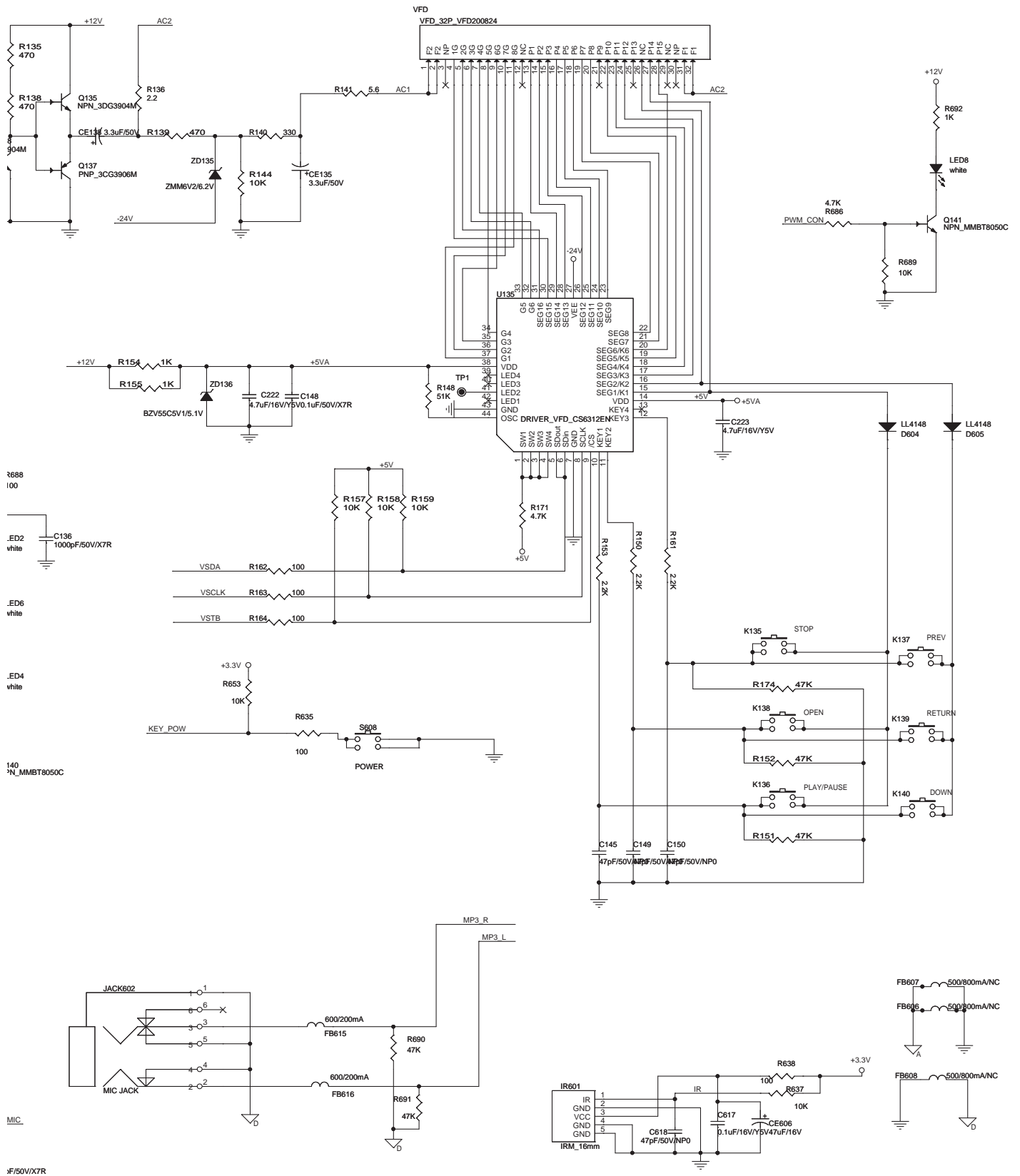


F

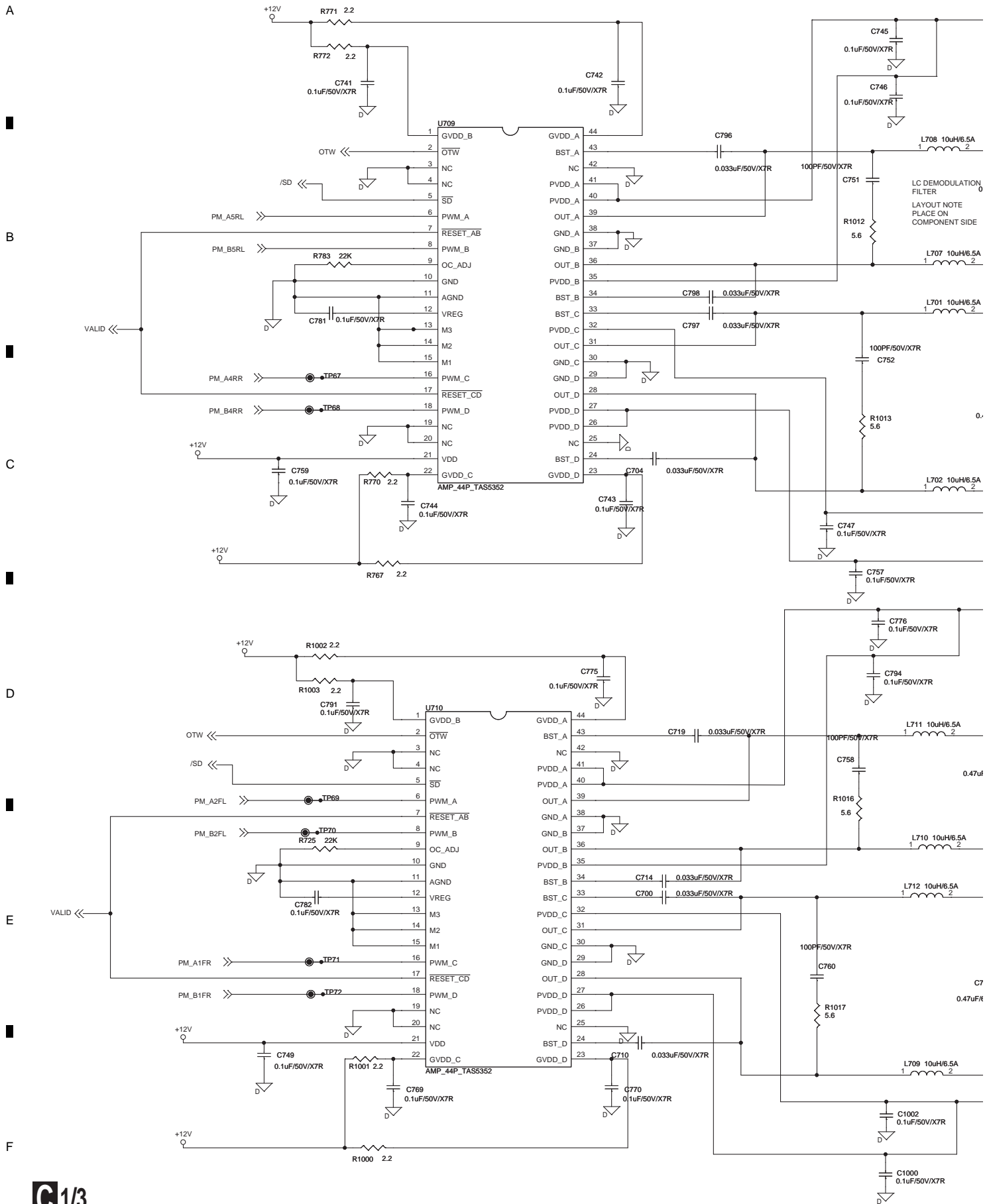
B

1 2 3 4

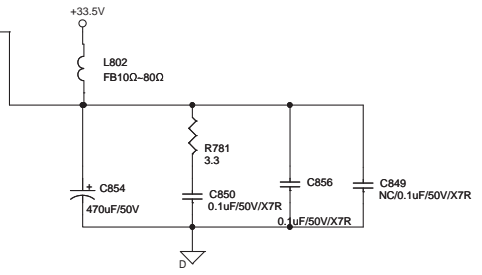
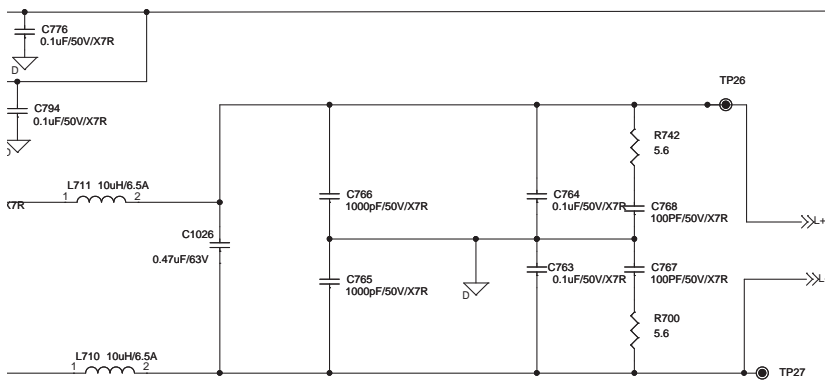
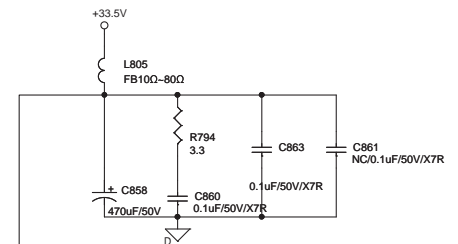
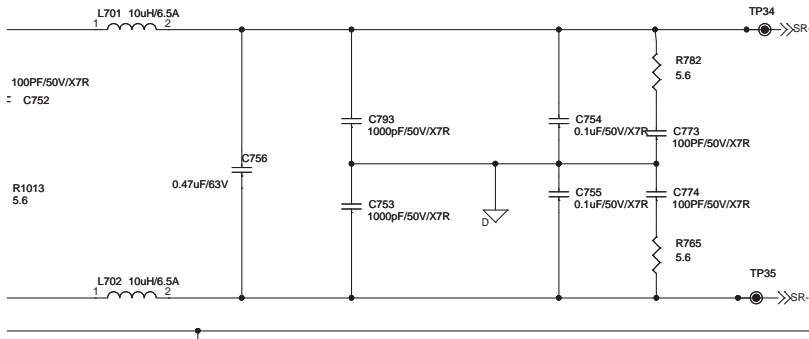
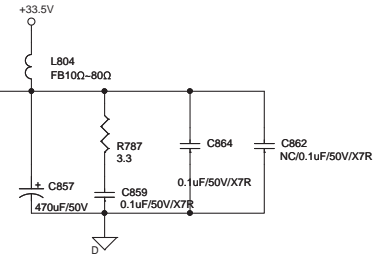
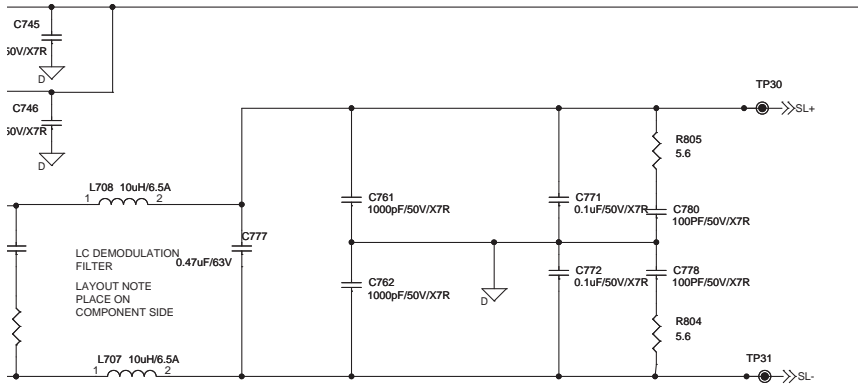
B FRONT BOARD ASSY (08-BCS727-FVY)



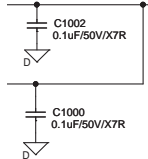
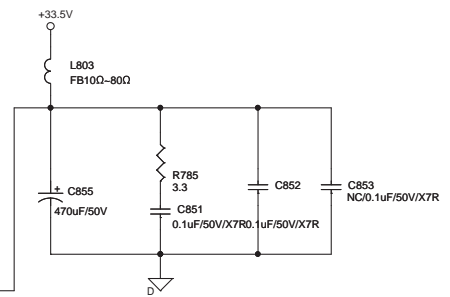
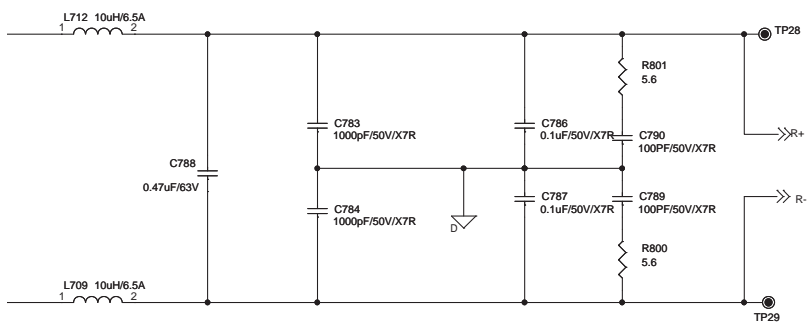
10.15 AMP BOARD ASSY (1/3)



C1/3 AMP BOARD ASSY
 (XV-BD422B, XV-BD122B: AZW7611)
 (XV-BD122FSB: AZW7612)
 • L+SLR+SR OUT BLOCK



LAYOUT NOTE:
 PLACE ON C845
 COMPONENT SIDE



10.16 AMP BOARD ASSY (2/3)

1 2 3 4

A

B

C

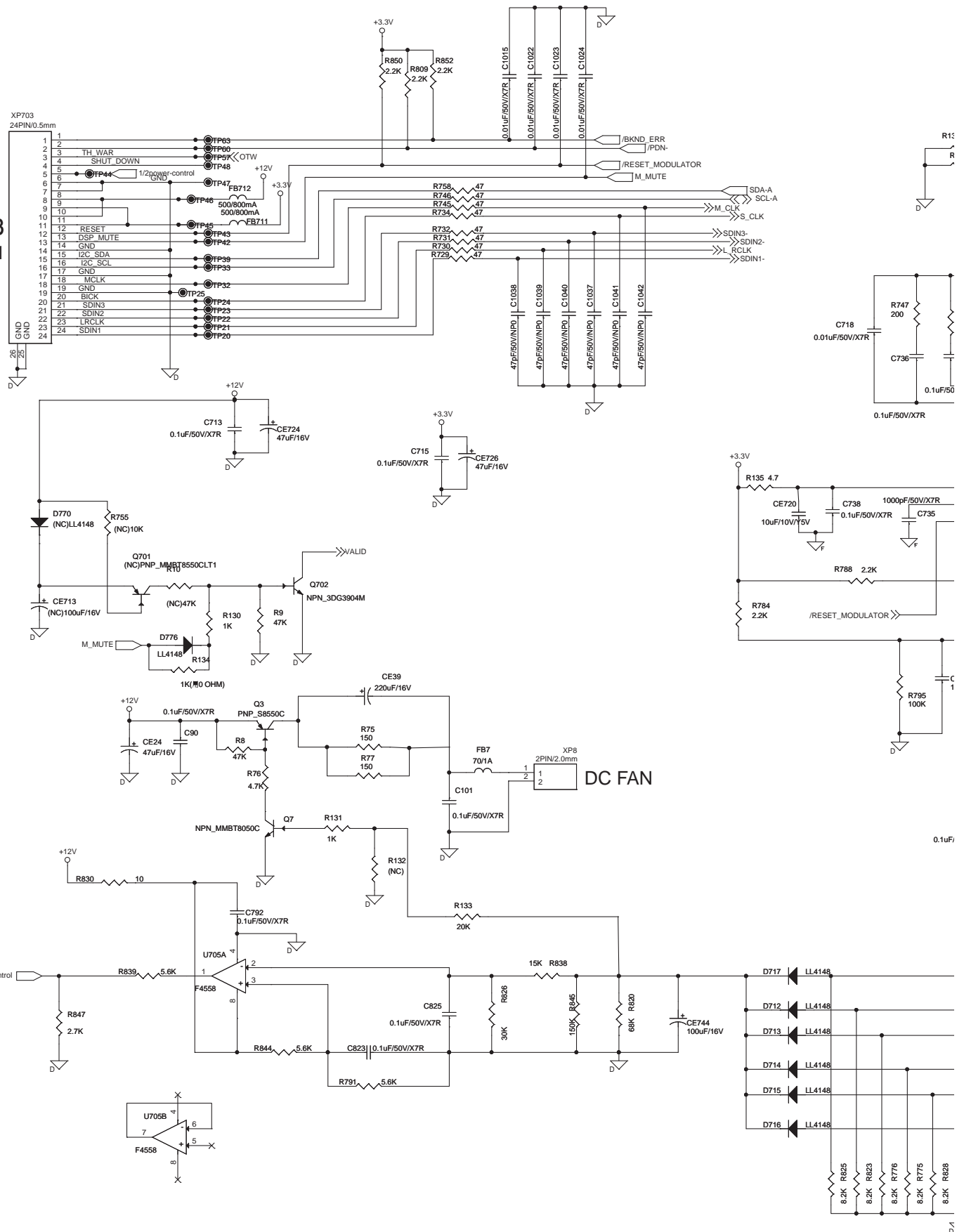
D

E

F

A7/13
XP11

C2/3

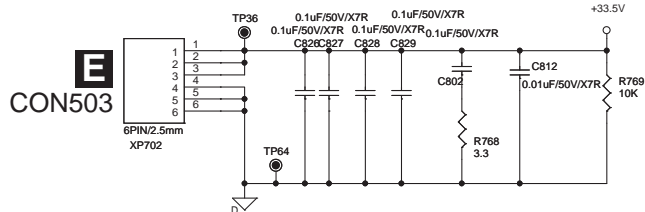
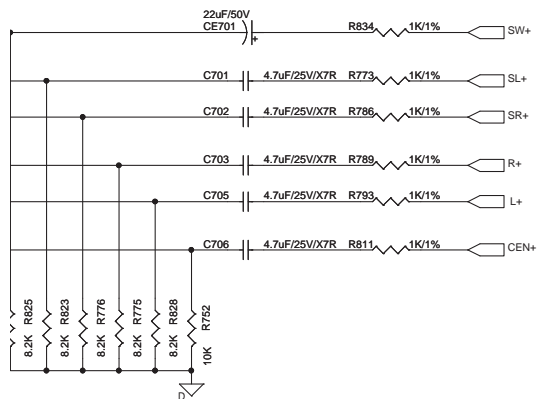
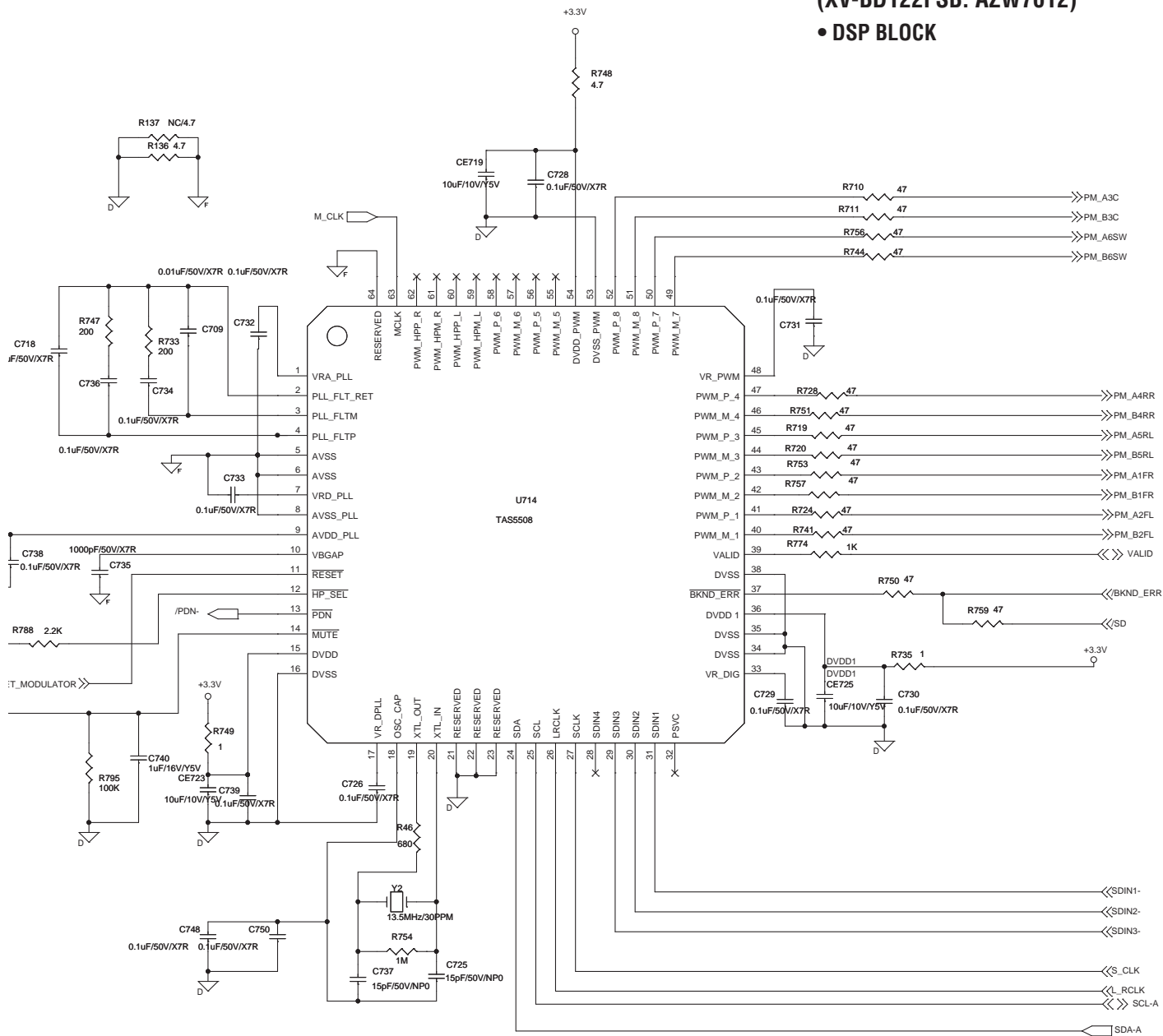


1 2 3 4

C2/3 AMP BOARD ASSY

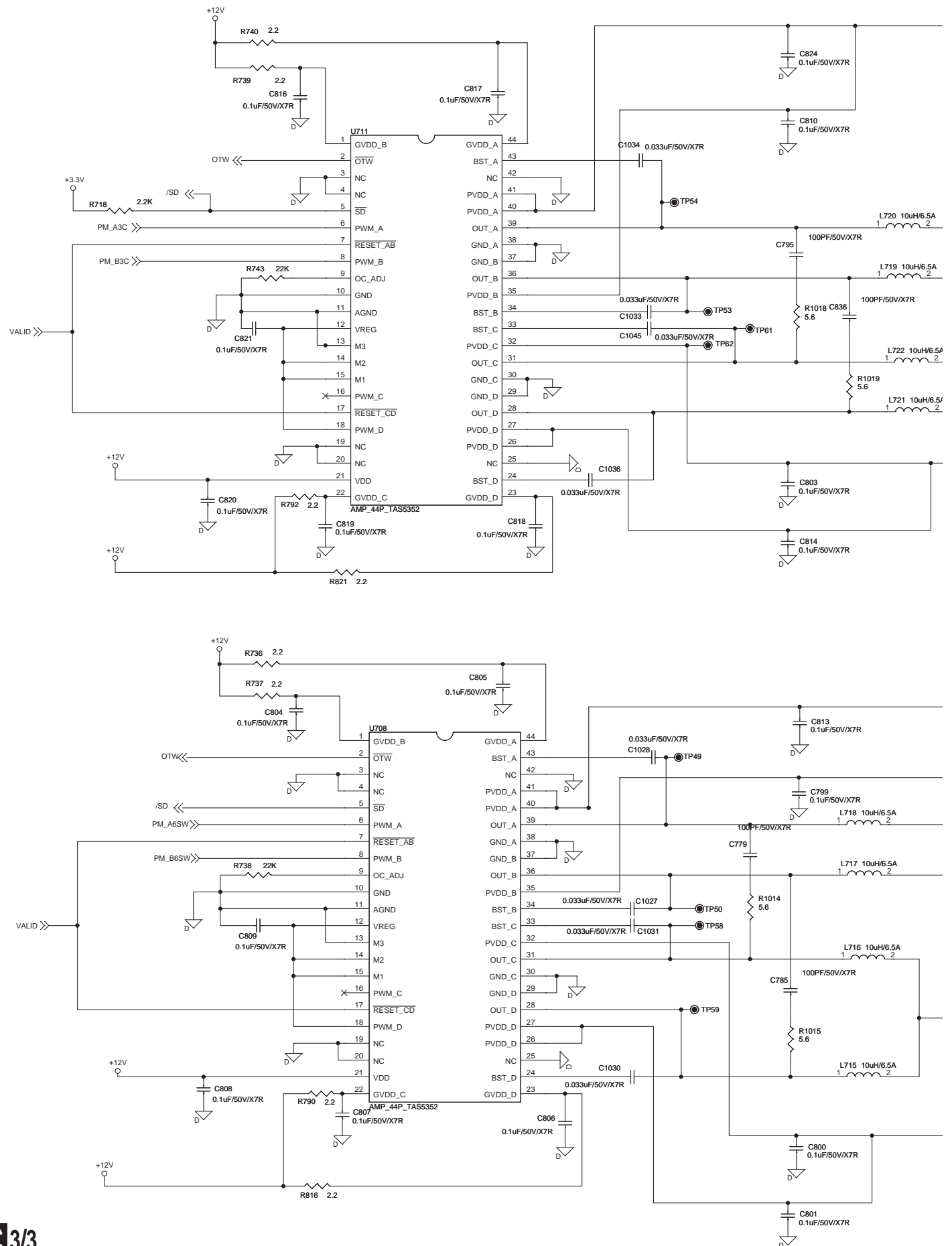
(XV-BD422B, XV-BD122B: AZW7611)
 (XV-BD122FSB: AZW7612)

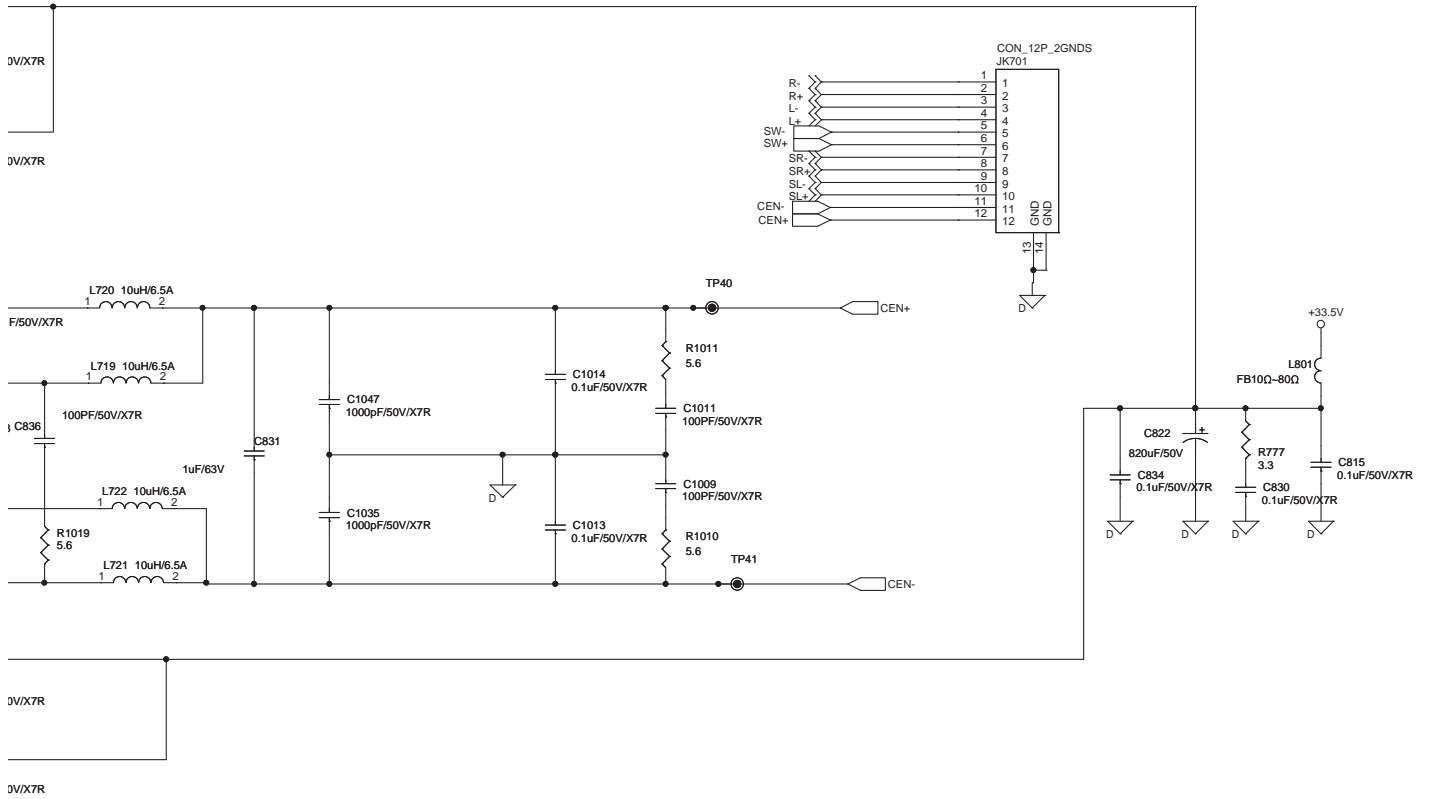
• DSP BLOCK



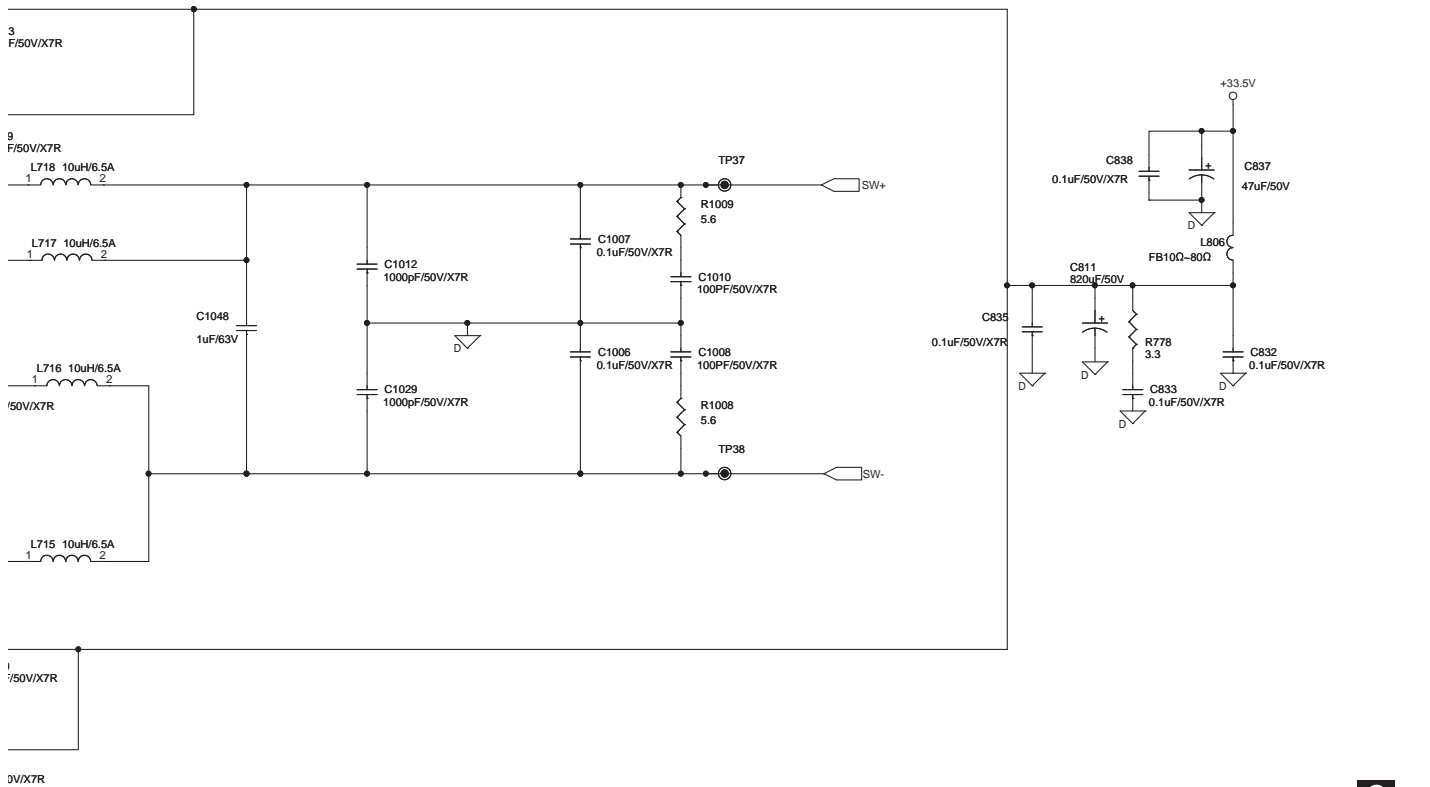
10.17 AMP BOARD ASSY (3/3)

A
B
C
D
E
F





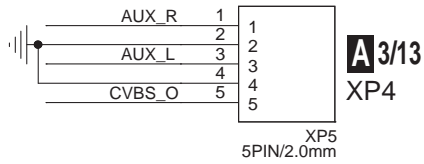
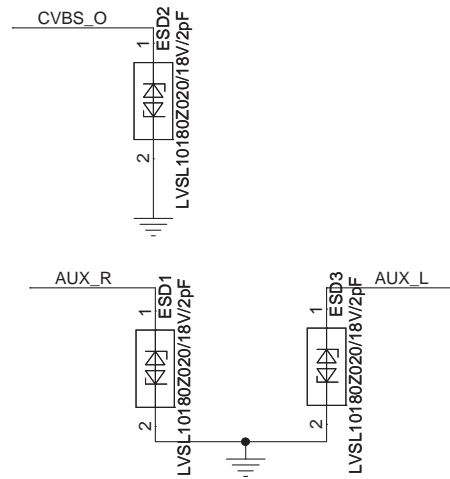
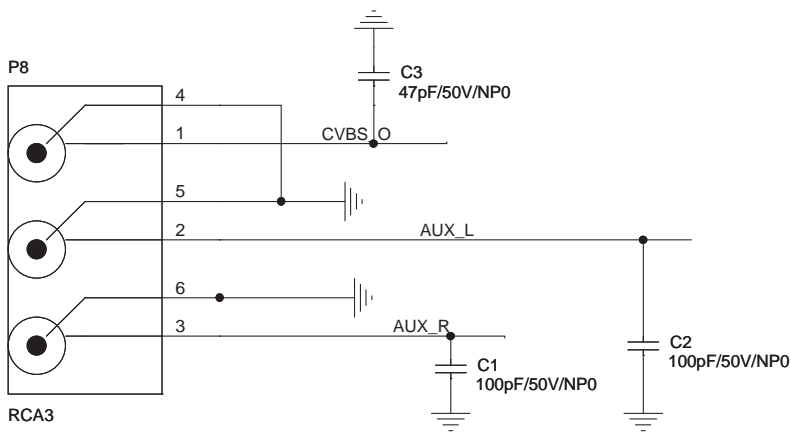
C3/3 AMP BOARD ASSY
 (XV-BD422B, XV-BD122B: AZW7611)
 (XV-BD122FSB: AZW7612)
 • CEN+SW OUT BLOCK



10.18 AV BOARD ASSY

D AV BOARD ASSY (AZW7613)

• Audio & Video BLOCK



■

5

■

6

■

7

■

8

■

A

■

B

■

C

■

D

■

E

■

F

■

5

■

6

XV-BD422B

■

7

■

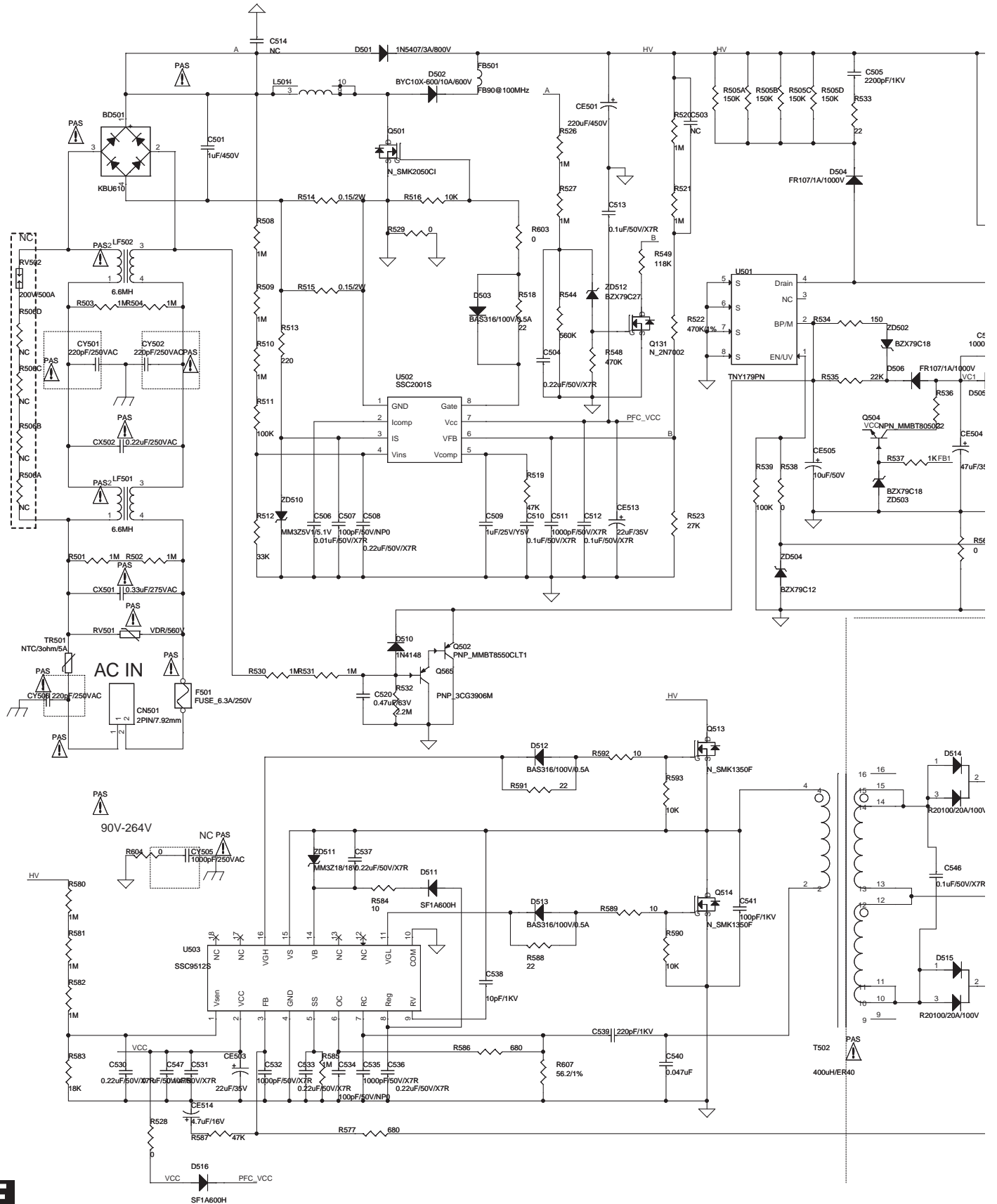
8

■

10.19 SYSTEM POWER SUPPLY ASSY

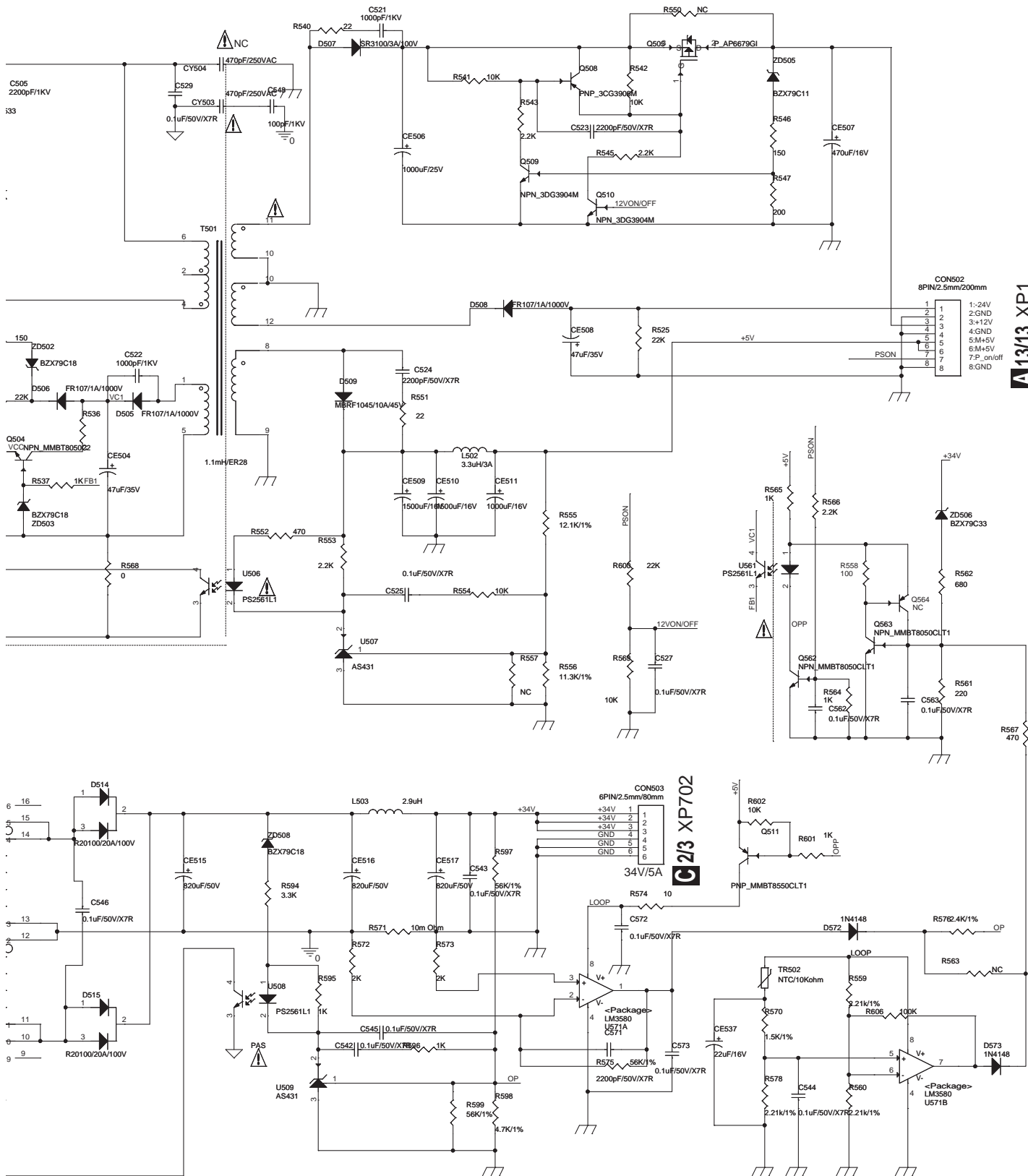
• NOTE FOR FUSE REPLACEMENT

CAUTION - FOR CONTINUED PROTECTION AGAINST RISK OF FIRE, REPLACE WITH SAME TYPE AND RATINGS OF FUSE.



XV-BD422B

SYSTEM POWER SUPPLY ASSY (08-K250HE-PW1)



A13/13 XP1

C

D

C2/3 XP702

E

F

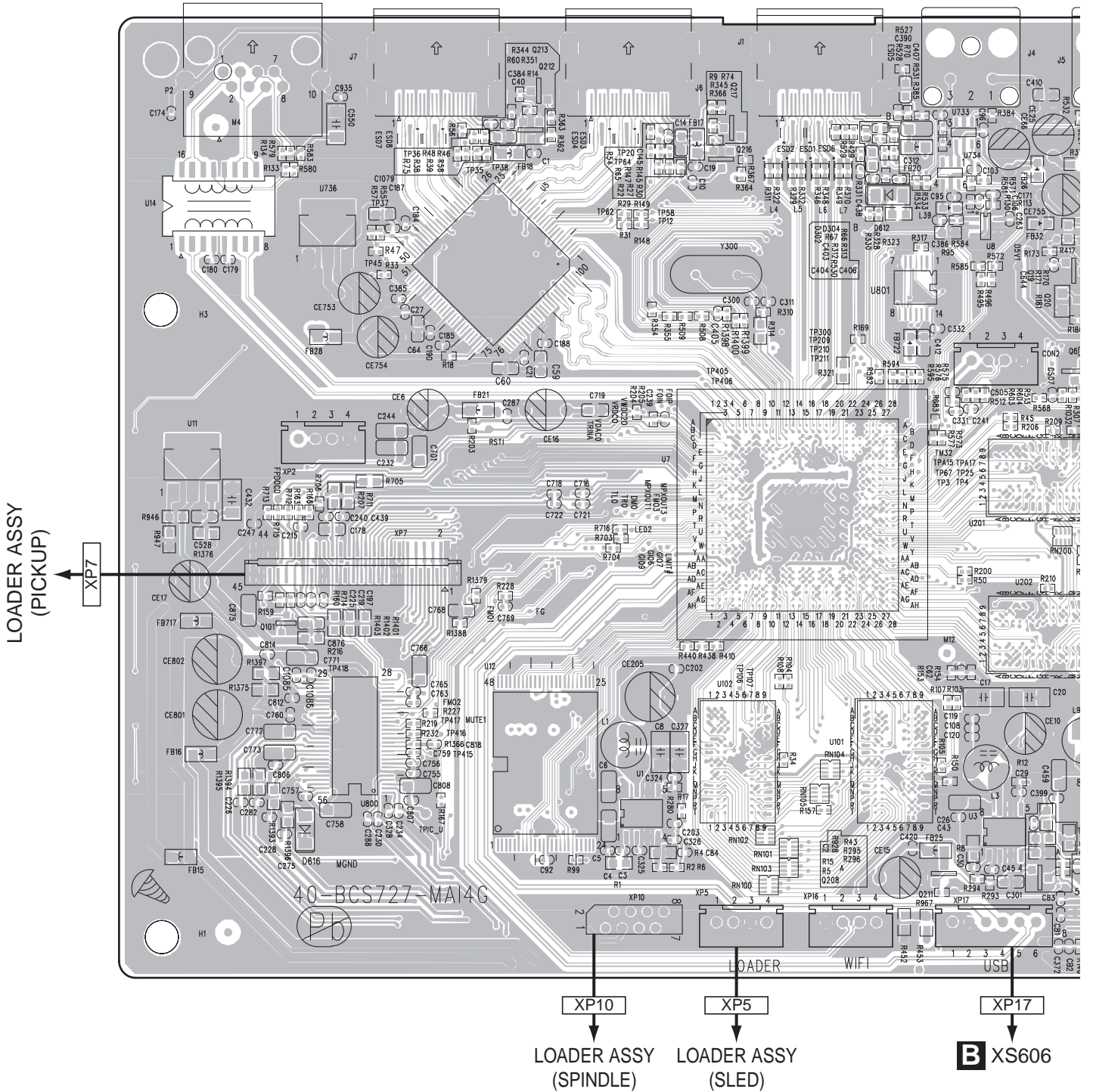


11. PCB CONNECTION DIAGRAM

11.1 MAIN BOARD ASSY

SIDE A

A MAIN BOARD ASSY



A

SIDE A

A

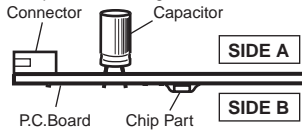
D XP5

XP4

NOTE FOR PCB DIAGRAMS :

1. The parts mounted on this PCB include all necessary parts for several destinations. For further information for respective destinations, be sure to check with the schematic diagram.

2. View point of PCB diagrams.



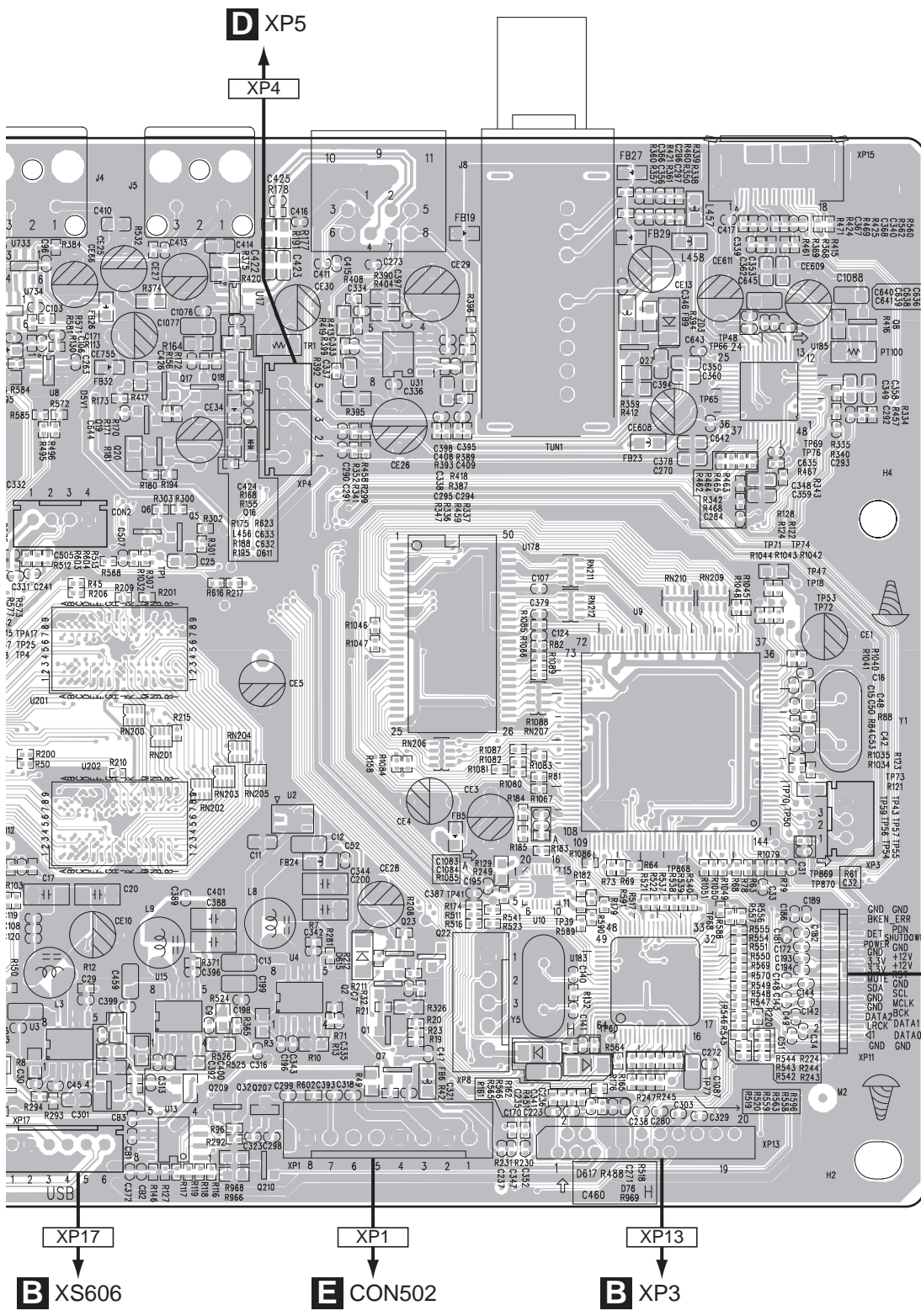
B

C

D

E

F



| | | | | | | | | | |
|------|----|-----------|-----------|-----|------|-----|------|------|----|
| U733 | U8 | Q17 | Q16 | U31 | U178 | Q27 | U9 | U185 | Q8 |
| | | Q19 | U2 | Q23 | Q22 | U10 | U103 | | |
| | | Q6 Q20 Q5 | U4 | Q2 | | | | | |
| 11 | U3 | U201 U15 | Q209 Q207 | Q1 | | | | | |
| | | U13 | Q210 | Q7 | | | | | |

A

SIDE B

A

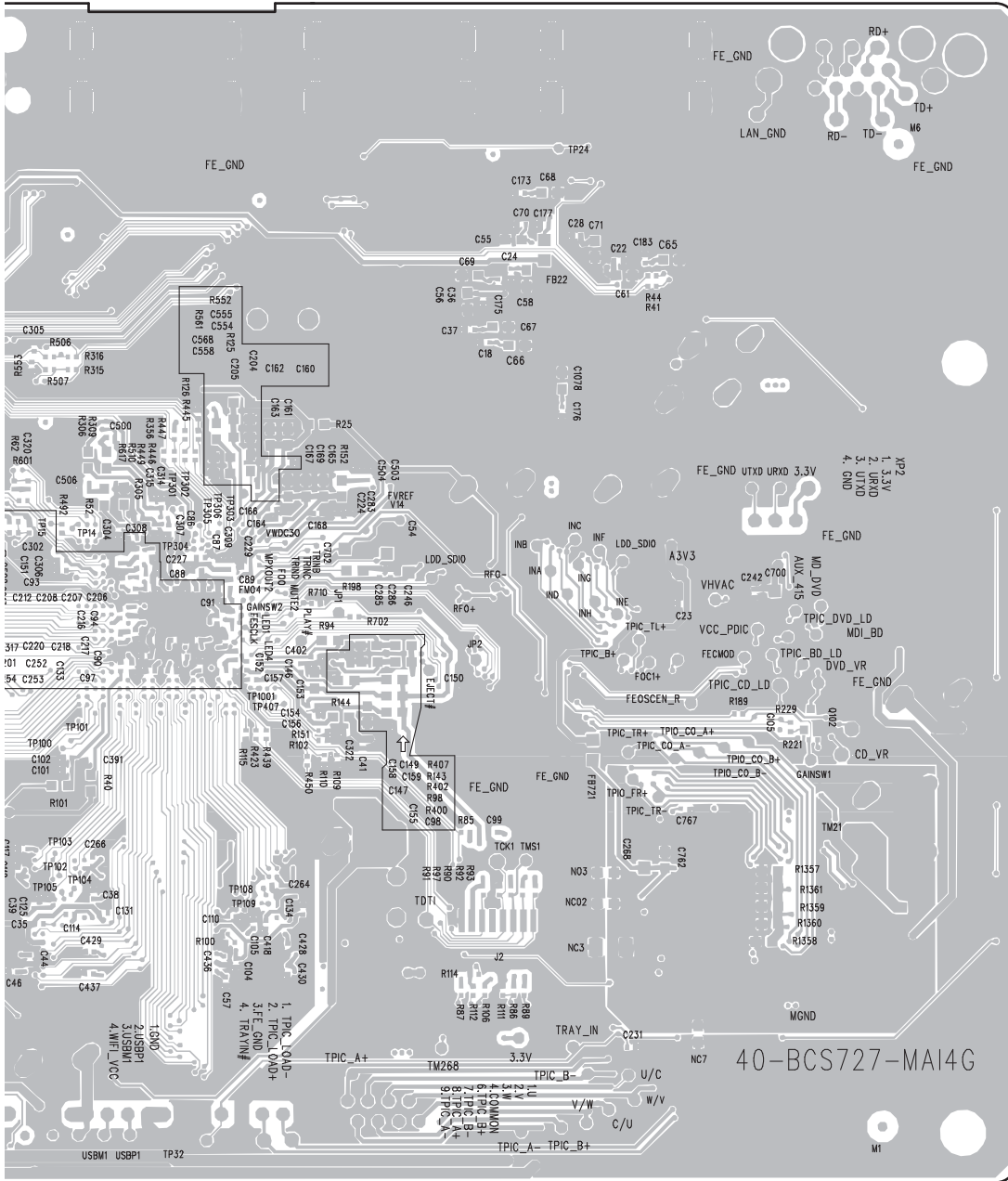
B

C

D

E

F



XP16

XP5

XP10

XP7

40-BCS727-MAI4G

Q102

XV-BD422B

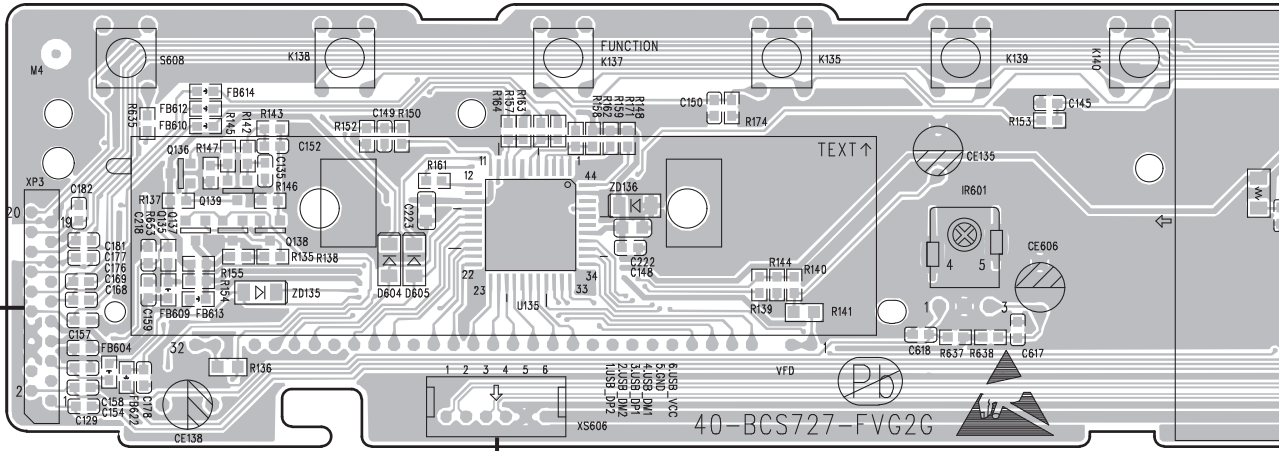
A

11.2 FRONT BOARD ASSY

SIDE A

B FRONT BOARD ASSY

A XP13



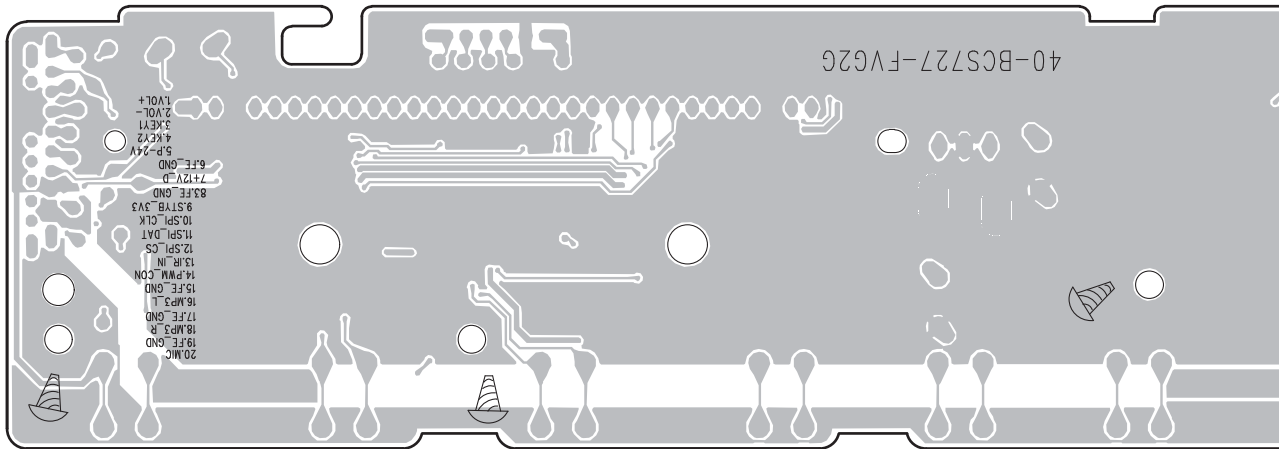
A XP17

Q136 Q139
Q135 Q137 Q138 U135

SIDE B

B FRONT BOARD ASSY

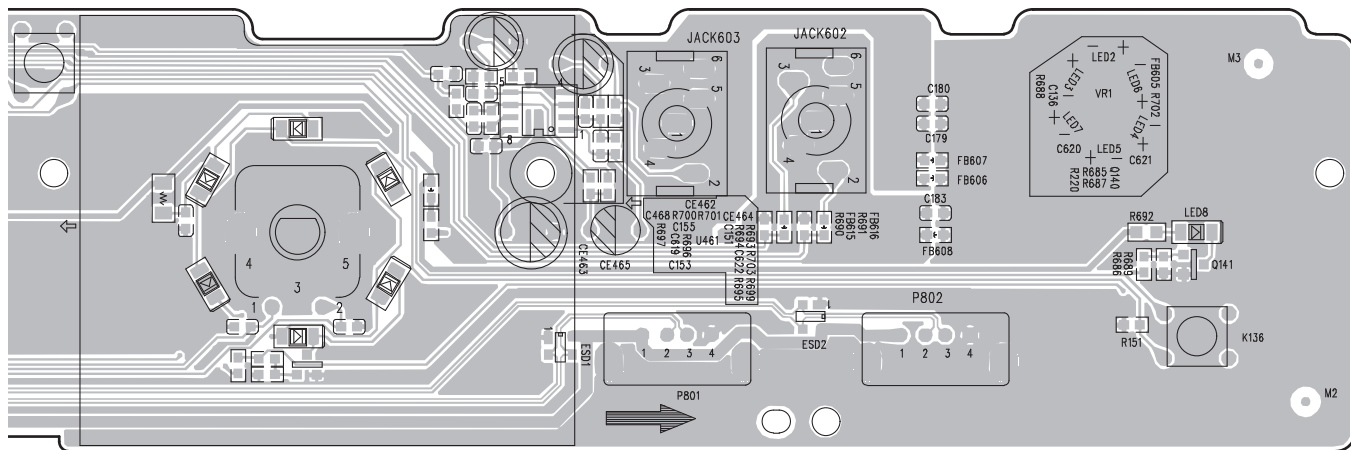
A XP3



B

SIDE A

A



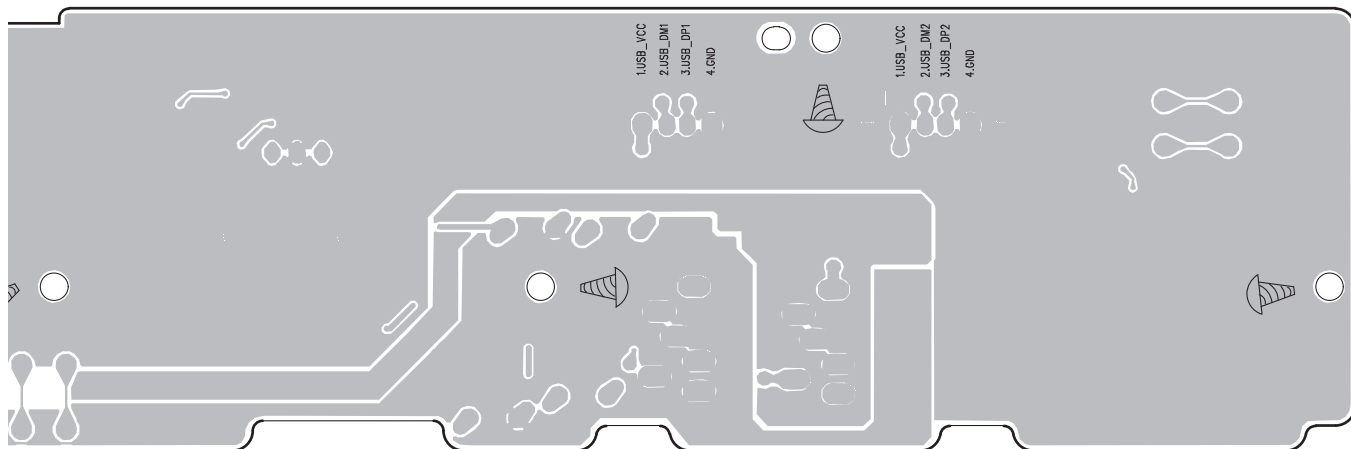
B

C

Q141

SIDE B

D



E

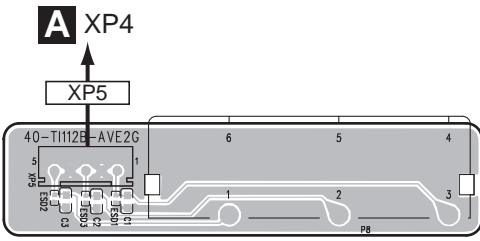
F

B

11.3 AMP and AV BOARD ASSYS

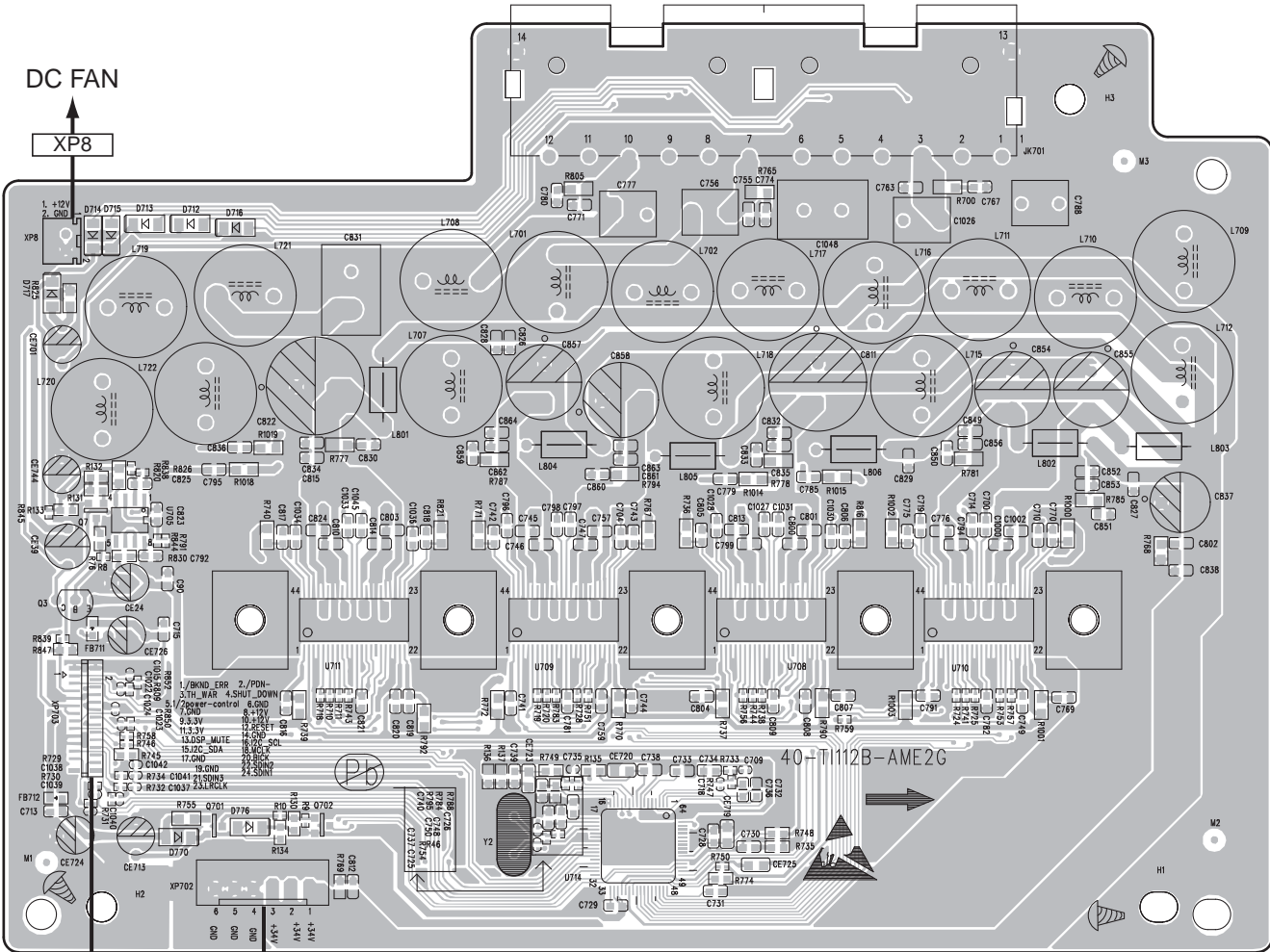
SIDE A

SIDE A



D AV BOARD ASSY

C AMP BOARD ASSY



A XP11

E CON503

C D

SIDE B

SIDE B

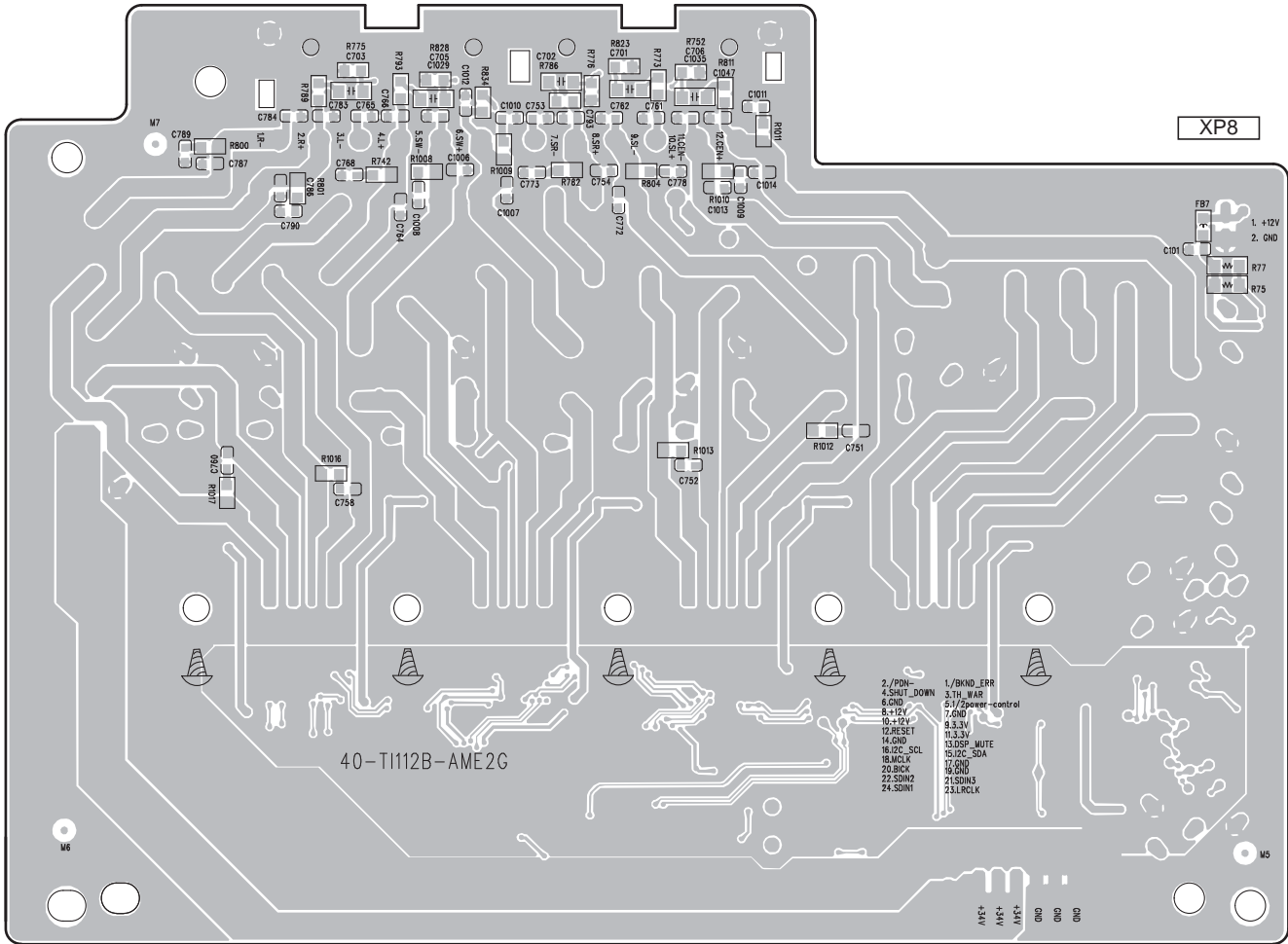
A

XP5



D AV BOARD ASSY

C AMP BOARD ASSY



XP8

B

C

D

XP702

XP703

E

F

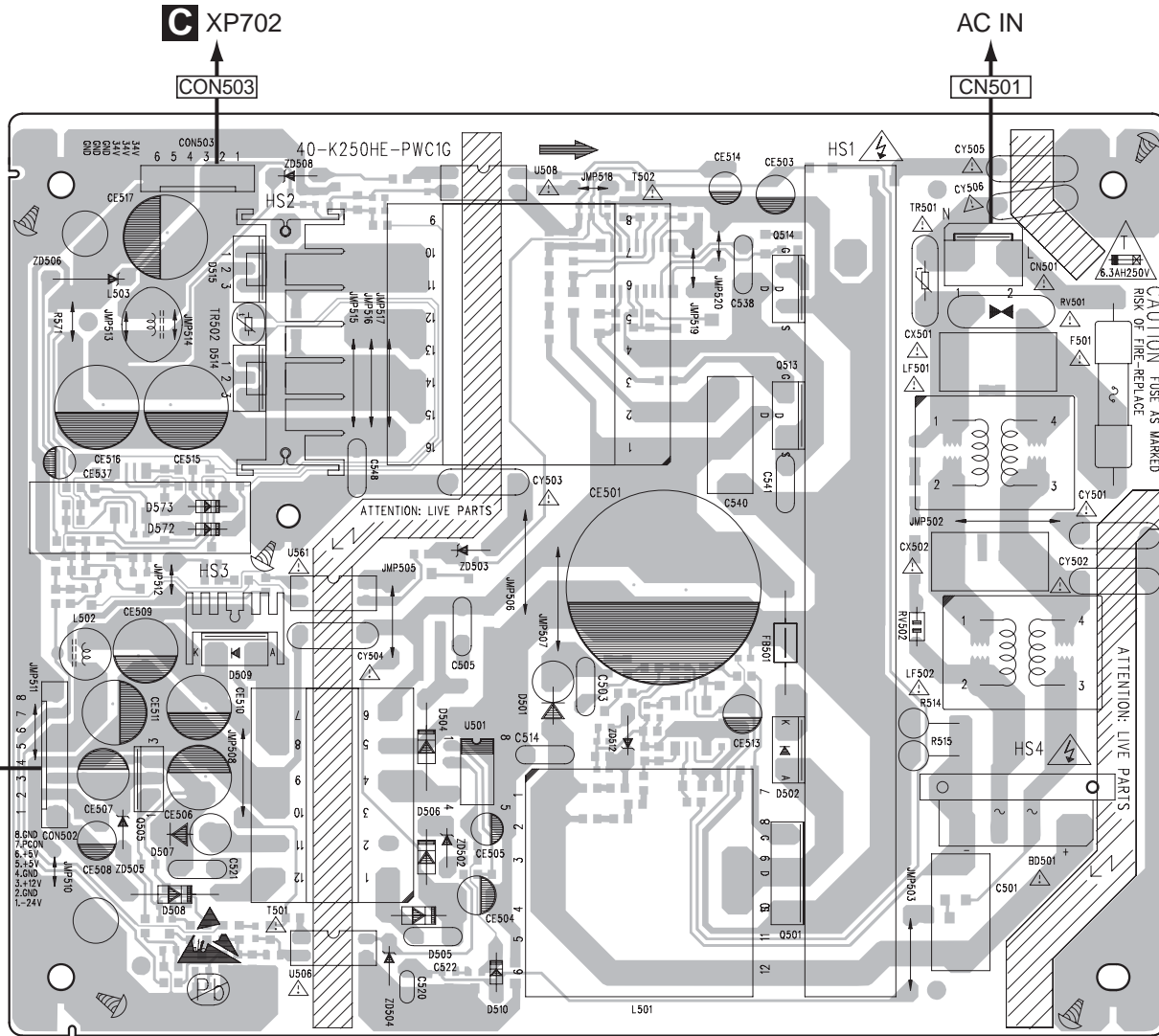
C D

11.4 SYSTEM POWER SUPPLY ASSY

SIDE A

SIDE A

SYSTEM POWER SUPPLY ASSY



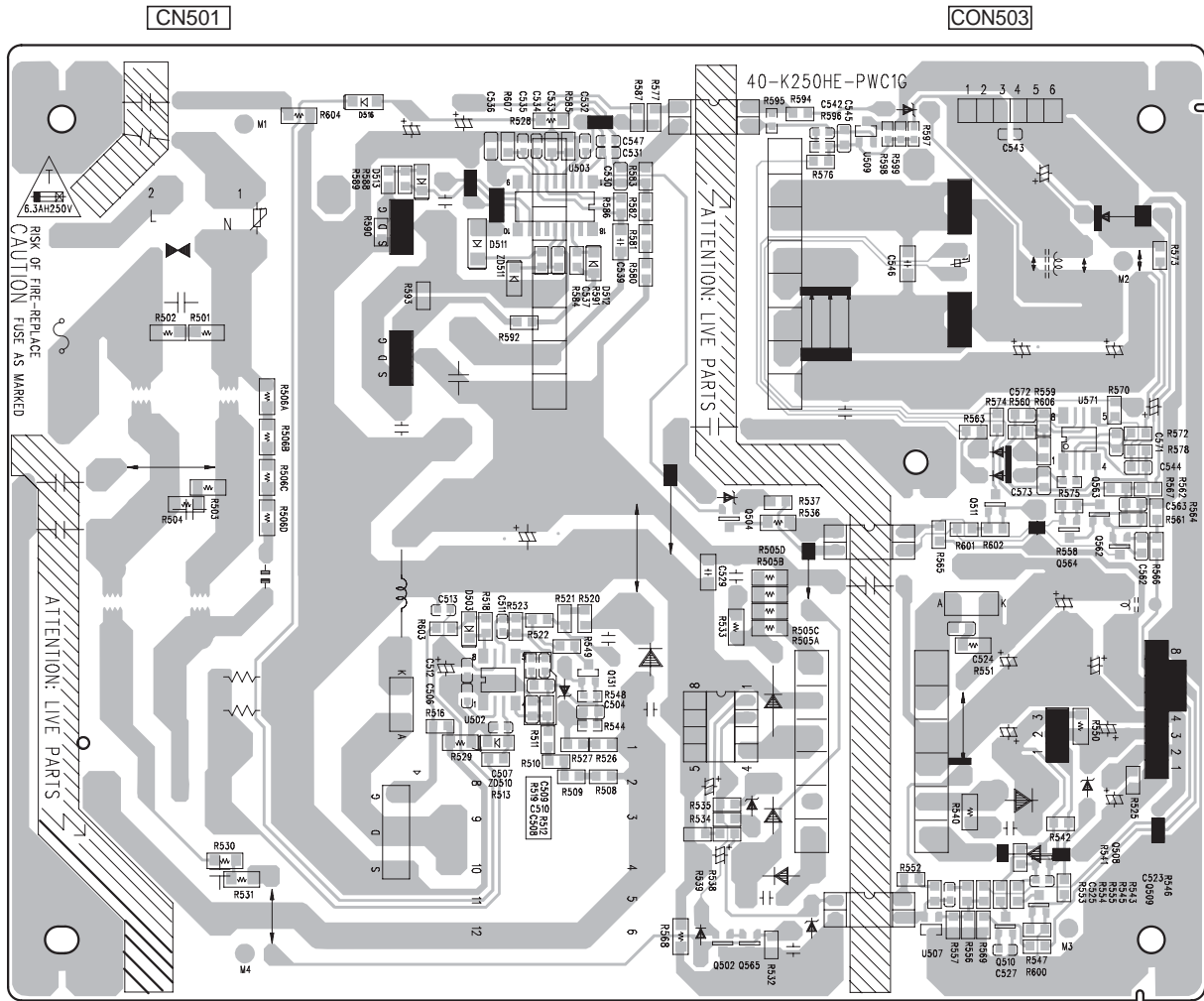
| | | |
|------|------|------|
| | U508 | Q514 |
| Q505 | U501 | Q513 |
| | U506 | Q501 |



SIDE B

SIDE B

SYSTEM POWER SUPPLY ASSY



- U503
- Q504
- U509
- U571
- Q563
- Q564
- Q562
- U502
- Q131
- Q502
- Q565
- U507
- Q510
- Q508
- Q509

