

Service Manual

ORDER NO.
RRV3768

DVD/CD RECEIVER

XV-DV171

THIS MANUAL IS APPLICABLE TO THE FOLLOWING MODEL(S) AND TYPE(S).

Model	Type	Power Requirement	Region No.	Remarks
XV-DV171	WLXJ	AC 220 V to 240 V	3	
XV-DV171	NAXJ5	AC 220 V	6	
XV-DV171	NTXJ	AC 220 V	3	
XV-DV171	TDXJ/RB	AC 110 V to 240 V	2	
XV-DV171	YPWXJ	AC 240 V	4	

This service manual should be used together with the following manual(s).

Model No.	Order No.	Remarks
XV-DV575/WYXJ5	RRV3748	

For SPECIFICATIONS and PANEL FACILITIES, refer to the operating instructions.

CONTENTS

SAFETY INFORMATION	2
1. CONTRAST OF MISCELLANEOUS PARTS	3
2. SCHEMATIC DIAGRAM	6
2.1 SYSMAIN ASSY (3/5)	6

SAFETY INFORMATION



This service manual is intended for qualified service technicians ; it is not meant for the casual do-it-yourselfer. Qualified technicians have the necessary test equipment and tools, and have been trained to properly and safely repair complex products such as those covered by this manual.

Improperly performed repairs can adversely affect the safety and reliability of the product and may void the warranty. If you are not qualified to perform the repair of this product properly and safely, you should not risk trying to do so and refer the repair to a qualified service technician.

WARNING !

THE AEL (ACCESSIBLE EMISSION LEVEL) OF THE LASER POWER OUTPUT IS LESS THAN CLASS 1 BUT THE LASER COMPONENT IS CAPABLE OF EMITTING RADIATION EXCEEDING THE LIMIT FOR CLASS 1.
A SPECIALLY INSTRUCTED PERSON SHOULD DO SERVICING OPERATION OF THE APPARATUS.

LASER DIODE CHARACTERISTICS

FOR DVD : MAXIMUM OUTPUT POWER : 5 mW
WAVELENGTH : 650 nm
FOR CD : MAXIMUM OUTPUT POWER : 5 mW
WAVELENGTH : 780 nm

LABEL CHECK

CAUTION CLASS 3B VISIBLE AND INVISIBLE LASER RADIATION WHEN OPEN, AVOID EXPOSURE TO THE BEAM.
ATTENTION RADIATIONS LASER VISIBLES ET INVISIBLES DE CLASSE 3B QUAND OUVERT. ÉVITEZ TOUT EXPOSITION AU FAISCEAU.
ADVARSEL KLASSE 3B SYNLIG OG USYNLIG LASERSTRÅLING VED ÅBNING. UNDGÅ UDSÆTTELSE FOR STRÅLING.
WARNING KLASSE 3B SYNLIG OCH OSYNLIG LASERSTRÅLNING NÄR DENNA DEL ÄR ÖPPNAD. UNDVIK ATT UTSÄTTA DIG FÖR STRÅLEN.
VORSICHT BEI GEÖFFNETER ABDECKUNG IST SICHTBARE UND UNSICHTBARE LASERSTRAHLUNG DER KLASSE 3B IM GERÄTEINNEREN VORHANDEN. NICHT DEM LASERSTRAHLAUSSETZEN!
PRECAUCIÓN CUANDO SE ABRE HAY RADIACIÓN LASER DE CLASE 3B VISIBLE E INVISIBLE. EVITE LA EXPOSICIÓN A LOS RAYOS LASER.
VAROI AVATTAESSÄ OLET ALTIINA NÄKYVÄLLE JA NÄKYMÄTTÖMÄLLE LUOKAN 3B LASERSÄTEILYLLE. ÄLÄ KATSO SÄTEESEEN.
VRW2257-A

CAUTION : CLASS 3B VISIBLE AND INVISIBLE LASER RADIATION WHEN OPEN, AVOID EXPOSURE TO THE BEAM.

注意：打開時會有 CLASS 3B 可見和不可見
雷射輻射，請勿受雷射束輻射。

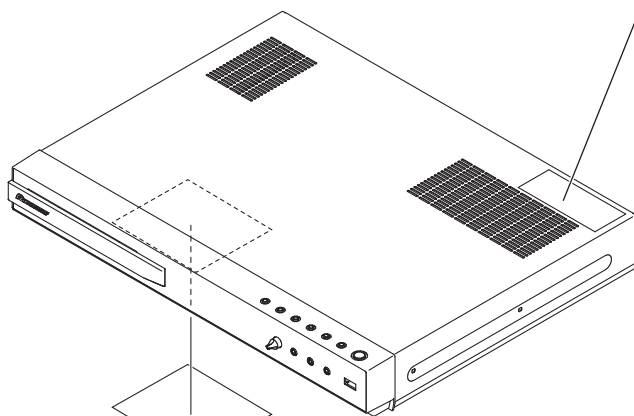
VRW2159

LFXJ type : VRW2159

WLXJ, GDRXJ, NTXJ, TDXJ/RA and TDXJ/RB types : VRW2257

注意 如打开此处，存在3B类可见以及
不可见激光辐射。请不要直接接触或
触碰发射器光束。
XRW3010-A

NAXJ5 type : XRW3010



CLASS 1
LASER PRODUCT

Name label

Additional Laser Caution

- Laser diode is driving with Q307 (650 nm LD) and Q308 (780 nm LD) on the 08 DVD Ass'y. Therefore, when short-circuit between the emitter and collector of these transistors or the base voltage is supplied for transistors turn on, the laser oscillates. (failure mode)
 - In the test mode * , there is the mode that the laser oscillates except for the disc judgment and playback. LD ON mode in the test mode oscillates with the laser forcibly.
- When the cover is open, close viewing through the objective lens with the naked eye will cause exposure to the laser beam.

* : See page 24 on the service manual RRV3748.

1. CONTRAST OF MISCELLANEOUS PARTS

NOTES: ● Parts marked by "NSP" are generally unavailable because they are not in our Master Spare Parts List.

● The Δ mark found on some component parts indicates the importance of the safety factor of the part. Therefore, when replacing, be sure to use parts of identical designation.

● Screws adjacent to ∇ mark on product are used for disassembly.

● For the applying amount of lubricants or glue, follow the instructions in this manual. (In the case of no amount instructions, apply as you think it appropriate.)

● Nos. indicate the pages and Nos. in the service manual for the base model.

● When ordering resistors, first convert resistance values into code form as shown in the following examples.

Ex.1 When there are 2 effective digits (any digit apart from 0), such as 560 ohm and 47k ohm (tolerance is shown by J=5%, and K=10%).

560 Ω \rightarrow 56 x 10¹ \rightarrow 561 RD1/4PU5 6 1 J

47k Ω \rightarrow 47 x 10³ \rightarrow 473 RD1/4PU4 7 3 J

0.5 Ω \rightarrow R50 RN2H 5 0 K

1 Ω \rightarrow 1R0 RS1P 1 R 0 K

Ex.2 When there are 3 effective digits (such as in high precision metal film resistors).

5.62k Ω \rightarrow 562 x 10¹ \rightarrow 5621 RN1/4PC 5 6 2 1 F

CONTRAST TABLE

XV-DV385K/WSXJ5, XV-DV171/WLXJ, XV-DV171/NAXJ5, XV-DV171/NTXJ, XV-DV171/TDXJ/RB and XV-DV171/YPWXJ are constructed the same except for the following:

Mark	No.	Symbol and Description	XV-DV385K/ WSXJ5	XV-DV171/ WLXJ	XV-DV171/ NAXJ5	XV-DV171/ NTXJ	XV-DV171/ TDXJ/RB	XV-DV171/ YPWXJ	Remarks
		PCB ASSEMBLIES							
NSP	P47-3	1..SYSMAIN Assy	XWM3391	XWM3405	XWM3409	XWM3406	XWM3408	XWM3407	
	P47-5	1..NHTS JACK ASSY	AWM8034	Not used	Not used	Not used	Not used	Not used	
		2..EUROSCART ASSY	AWU8291	Not used	Not used	Not used	Not used	Not used	
P47-7	1..FM/AM TUNER Unit	AXX7248	AXX7251	AXX7251	AXX7251	AXX7251	AXX7251	*1	
		PACKING SECTION							
Δ	P45-1	Power Cord	ADG1127	ADG1127	ADG7079	XDG3056	ADG1127	ADG7099	
	P45-6	Remote Control	XXD3156	XXD3158	XXD3158	XXD3158	XXD3158	XXD3158	
	P45-9	Label (WEEE)	ARW7322	Not used	Not used	Not used	Not used	Not used	
	P45-14	Operating Instructions (Russian)	XRC3333	Not used	Not used	Not used	Not used	Not used	
	P45-19	Setup Guide (Russian)	XRC3343	Not used	Not used	Not used	Not used	Not used	
NSP	P45-20	Warranty Card	ARY7111	Not used	ARY7046	XRY3004	Not used	ARY7047	
	P45-25	Packing Case	XHD3787	XHD3799	XHD3803	XHD3800	XHD3802	XHD3801	
Operating Instructions (Arabic)		Not used	Not used	Not used	Not used	XRC3340	Not used		
Operating Instructions (Simp-Chinese)		Not used	Not used	XRC3339	Not used	Not used	Not used		
Operating Instructions (English)		Not used	Not used	Not used	Not used	XRB3096	XRB3095		
Operating Instructions (English/Trad-Chinese)		Not used	XRE3176	Not used	Not used	Not used	Not used		
Operating Instructions (Thai)		Not used	Not used	Not used	XRC3338	Not used	Not used		
Setup Guide (Simp-Chinese)		Not used	Not used	XRC3352	Not used	Not used	Not used		
Setup Guide (English/Arabic)		Not used	Not used	Not used	Not used	XRE3186	Not used		
Setup Guide (English/Trad-Chinese)		Not used	XRE3188	Not used	Not used	Not used	Not used		
Setup Guide (Thai)		Not used	Not used	Not used	XRC3351	Not used	Not used		
NSP	NSP	Setup Guide (English)	Not used	Not used	Not used	Not used	Not used	XRB3098	
		Service Map (Thai)	Not used	Not used	Not used	XRY3005	Not used	Not used	
		Vinyl Bag (Warranty Card)	Not used	Not used	Not used	AHG7099	Not used	Not used	
		EXTERIOR SECTION							
	P47-12	23P FFC/60V (J1909)	XDD3267	Not used	Not used	Not used	Not used	Not used	
	P47-20	Rear Panel WHTS	XNC3564	XNC3585	XNC3589	XNC3586	XNC3588	XNC3587	

Mark	No.	Symbol and Description	XV-DV385K/ WSXJ5	XV-DV171/ WLXJ	XV-DV171/ NAXJ5	XV-DV171/ NTXJ	XV-DV171/ TDXJ/RB	XV-DV171/ YPWXJ	Remarks
A	P47-26	F/P Assy WHTS	XXG3368	XXG3375	XXG3375	XXG3375	XXG3375	XXG3375	
	P47-30	Front Panel WHTS	XMB3326	XMB3333	XMB3333	XMB3333	XMB3333	XMB3333	
	P47-34	Laser Caution	VRW2257	VRW2257	XRW3010	VRW2257	VRW2257	VRW2257	
NSP	P47-36	Name Label WHTS	XAL3294	XAL3300	XAL3302	XAL3300	XAL3300	XAL3300	
NSP	P47-38	POP Getter WHTS	XAX3676	XAX3681	XAX3682	XAX3681	XAX3681	XAX3681	
NSP		CCC S&E Label	Not used	Not used	DRW2310	Not used	Not used	Not used	
NSP		Energy Star Label	Not used	Not used	Not used	Not used	Not used	AAX8022	
NSP		SISIR Label WHTS	Not used	XAX3694	Not used	Not used	Not used	Not used	

Notes : For PCB ASSEMBLIES, Refer to "CONTRAST OF PCB ASSEMBLIES" and "2. SCHEMATIC DIAGRAM".

*1 : FM/AM TUNER Unit has no service parts.

B CONTRAST OF PCB ASSEMBLIES

B F SYSMAIN ASSY

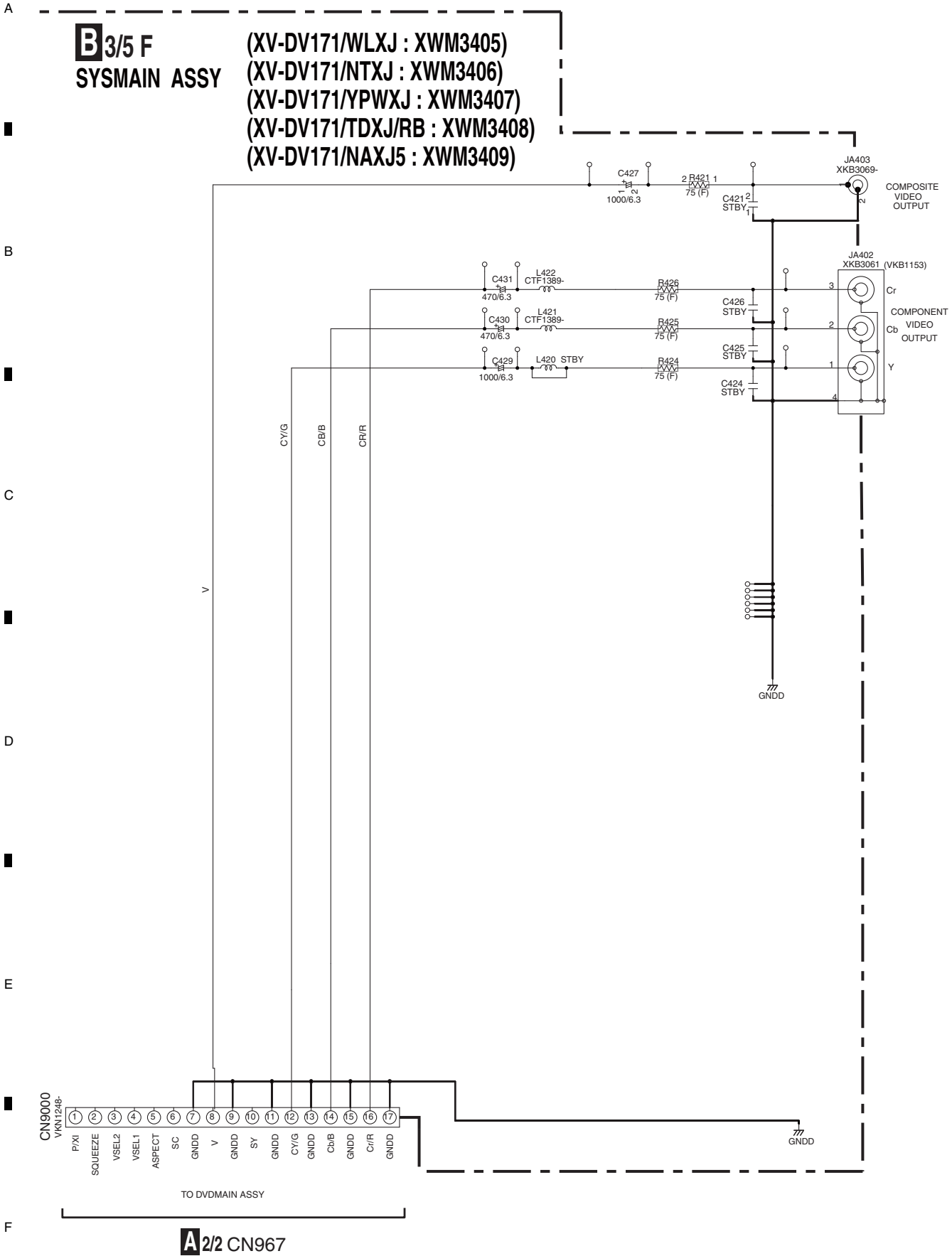
XWM3391, XWM3405, XWM3406, XWM3407, XWM3408 and XWM3409 are constructed the same except for the following:

Mark	Symbol and Description	XWM3391	XWM3405	XWM3406	XWM3407	XWM3408	XWM3409	Remarks
C	IC3601	NJM4565MD	Not used	Not used	Not used	Not used	Not used	
	IC5701	LC72725KM	Not used	Not used	Not used	Not used	Not used	
	Q491, Q5931	RT1N241M	Not used	Not used	Not used	Not used	Not used	
	Q3601, Q3603	IMX9	Not used	Not used	Not used	Not used	Not used	
	Q3602, Q3604, Q5936	RT1P241M	Not used	Not used	Not used	Not used	Not used	
	Q5932	RT3N22M	Not used	Not used	Not used	Not used	Not used	
	Q5934, Q5935	2SA1602A	Not used	Not used	Not used	Not used	Not used	
	D3603	UDZS12(B)	Not used	Not used	Not used	Not used	Not used	
	D5931, D5933, D5936	1SS352	Not used	Not used	Not used	Not used	Not used	
	L421, L422	Not used	CTF1389	CTF1389	CTF1389	CTF1389	CTF1389	
D	L5931-L5934 CHIP SOLID INDUCTOR	QTL1013	Not used	Not used	Not used	Not used	Not used	
	X5701 CRYSTAL RESONATOR (4.332 MHz)	ASS7004	Not used	Not used	Not used	Not used	Not used	
	CN3111 PIN JACK(4P)	AKB7114	Not used	Not used	Not used	Not used	Not used	CN3111
	CN3112 PIN JACK(2P)	Not used	XKB3062	XKB3062	XKB3062	XKB3062	XKB3062	
	CN451 CONNECTOR	9604S-23C	Not used	Not used	Not used	Not used	Not used	
	JA402 JACK	Not used	XKB3061	XKB3061	XKB3061	XKB3061	XKB3061	
	JA5931 MINI JACK (4P)	XKN3015	Not used	Not used	Not used	Not used	Not used	
	R424-R426	Not used	RS1/10S75R0F	RS1/10S75R0F	RS1/10S75R0F	RS1/10S75R0F	RS1/10S75R0F	
	R491, R3609-R3612, R5935	RS1/16S103J RS1/16S103J	Not used Not used	Not used Not used	Not used Not used	Not used Not used	Not used Not used	
	R3601	RAB4C472J	Not used	Not used	Not used	Not used	Not used	
R3605-R3608, R3617, R3618, R3631, R3632	RS1/16S472J RS1/16S472J	Not used Not used	Not used Not used	Not used Not used	Not used Not used	Not used Not used		
R3613, R3614, R5937 R3615, R3616, R5934	RS1/16S473J RS1/16S102J	Not used Not used	Not used Not used	Not used Not used	Not used Not used	Not used Not used		
E	R3619, R3620, R5506, R5564, R5565	RS1/16S221J RS1/16S221J	Not used Not used	Not used Not used	Not used Not used	Not used Not used	Not used Not used	
	R3621	RS1/16S8R2J	Not used	Not used	Not used	Not used	Not used	
	R3623	RS1/16S222J	Not used	Not used	Not used	Not used	Not used	
	R3629, R3630	RS1/16S821J	Not used	Not used	Not used	Not used	Not used	
	R4015, R4016	RS1/16S223J	Not used	Not used	Not used	Not used	Not used	
	R4019, R4020	RS1/16S272J	RS1/16S473J	RS1/16S473J	RS1/16S473J	RS1/16S473J	RS1/16S473J	
	R5513	RS1/16S153J	RS1/16S473J	RS1/16S393J	RS1/16S223J	RS1/16S104J	RS1/16S103J	
	R5515	RS1/16S823J	Not used	RS1/16S223J	RS1/16S473J	RS1/16S103J	RS1/16S333J	
	R5712, R5713	RS1/16S272J	RS1/16S0R0J	RS1/16S0R0J	RS1/16S0R0J	RS1/16S0R0J	RS1/16S0R0J	

Mark	Symbol and Description	XWM3391	XWM3405	XWM3406	XWM3407	XWM3408	XWM3409	Remarks
	R5931, R5936 R5933, R5942 R5938 R5939 R5940	RS1/16S182J RS1/16S104J RS1/16S272J RS1/16S332J RS1/16S101J	Not used Not used Not used Not used Not used	Not used Not used Not used Not used Not used	Not used Not used Not used Not used Not used	Not used Not used Not used Not used Not used	Not used Not used Not used Not used Not used	A
	R5943 C429 C430, C431 C3601-C3604, C3611, C3612	Not used Not used Not used CCSRCH821J50 CCSRCH821J50	RS1/16S0R0J CEAT102M6R3 CEAT471M6R3 Not used Not used	RS1/16S0R0J CEAT102M6R3 CEAT471M6R3 Not used Not used	RS1/16S0R0J CEAT102M6R3 CEAT471M6R3 Not used Not used	RS1/16S0R0J CEAT102M6R3 CEAT471M6R3 Not used Not used	RS1/16S0R0J CEAT102M6R3 CEAT471M6R3 Not used Not used	
	C3605-C3608 C3609, C3610, C3622 C3621 C3623 C3624	CCSRCH331J50 CEVW100M16 CEVW100M25 CKSRYB104K25 CKSRYB104K16	Not used Not used Not used Not used Not used	Not used Not used Not used Not used Not used	Not used Not used Not used Not used Not used	Not used Not used Not used Not used Not used	Not used Not used Not used Not used Not used	B
	C4015, C4016, C5719 C5712, C5714 C5713 C5715 C5716	CEAT100M50 CCSRCH270J50 CKSRYB472K50 CKSRYB103K50 CCSRCH561J50	Not used Not used Not used Not used Not used	Not used Not used Not used Not used Not used	Not used Not used Not used Not used Not used	Not used Not used Not used Not used Not used	Not used Not used Not used Not used Not used	
	C5720 C5931, C5932, C5936	CEAT470M35 CCSRCH221J50	Not used Not used	Not used Not used	Not used Not used	Not used Not used	Not used Not used	C

2. SCHEMATIC DIAGRAM

2.1 SYSMAIN ASSY (3/5)



B3/5 F

B3/5 F