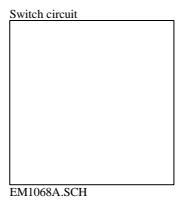
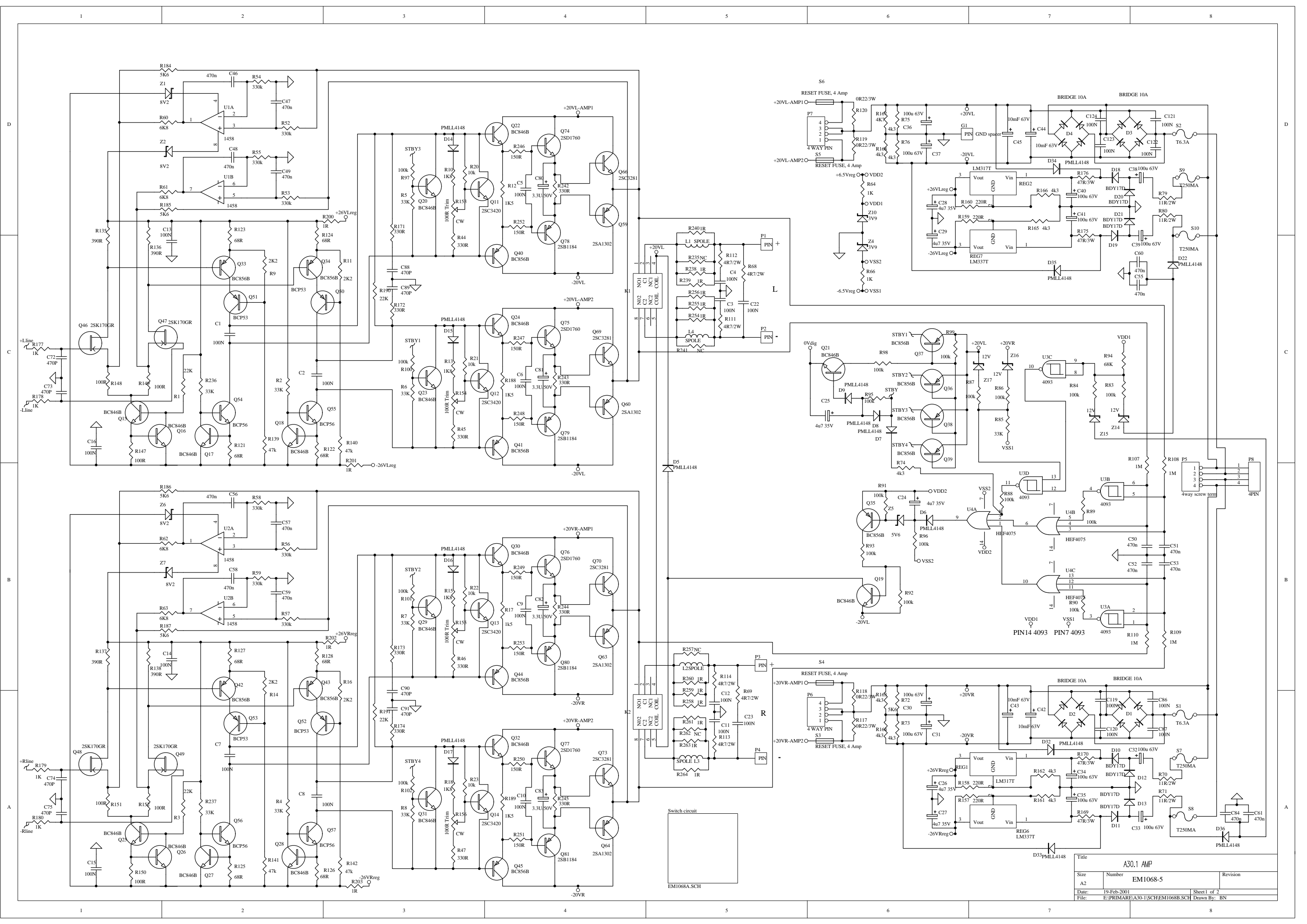


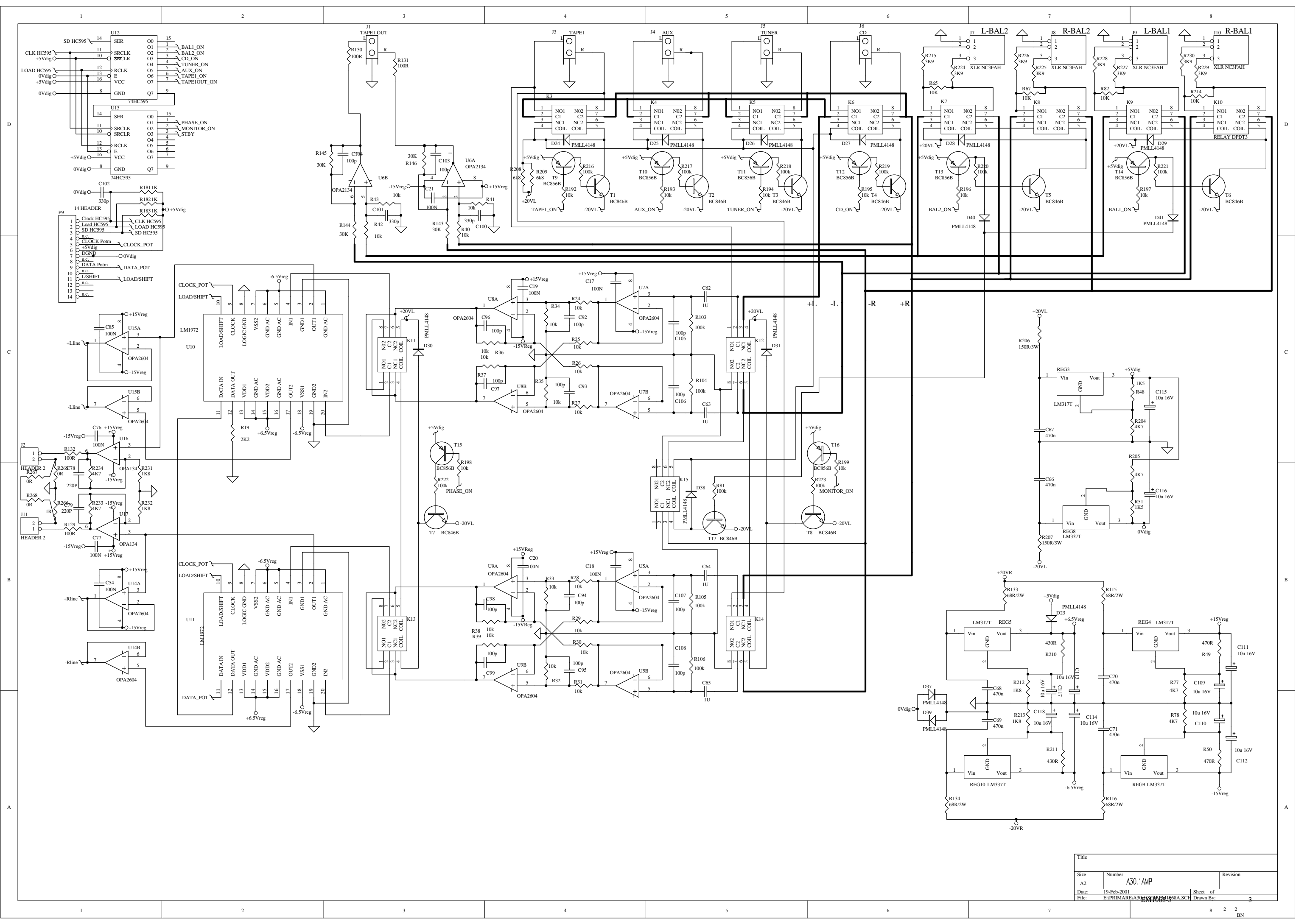
A30.1 MK2 INTEGRATED AMP SERVICE MANUAL

CONTENTS

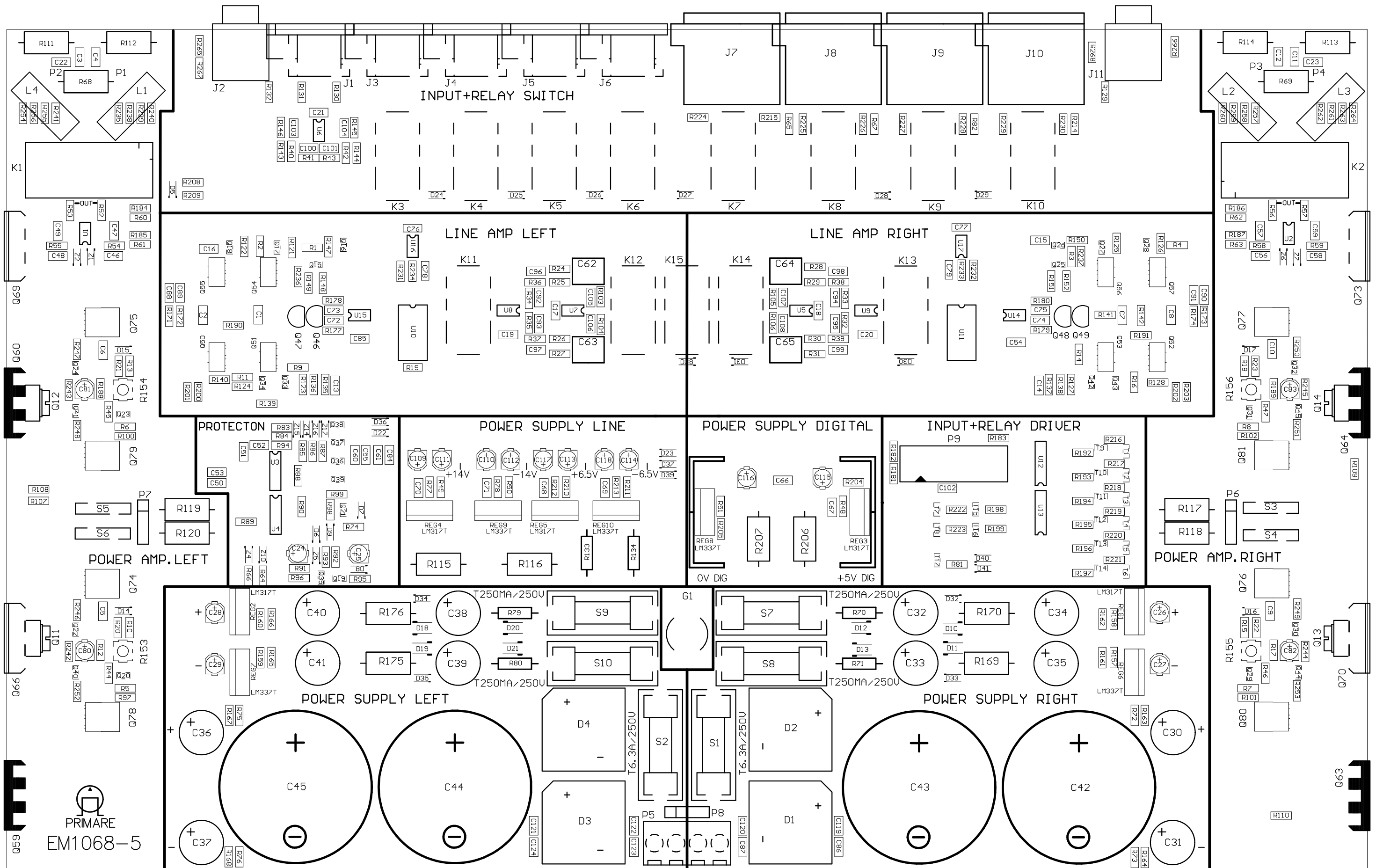
1. CIRCUIT DIAGRAMS
2. ADJUSTMENT
3. TECHNICAL SPECIFICATIONS



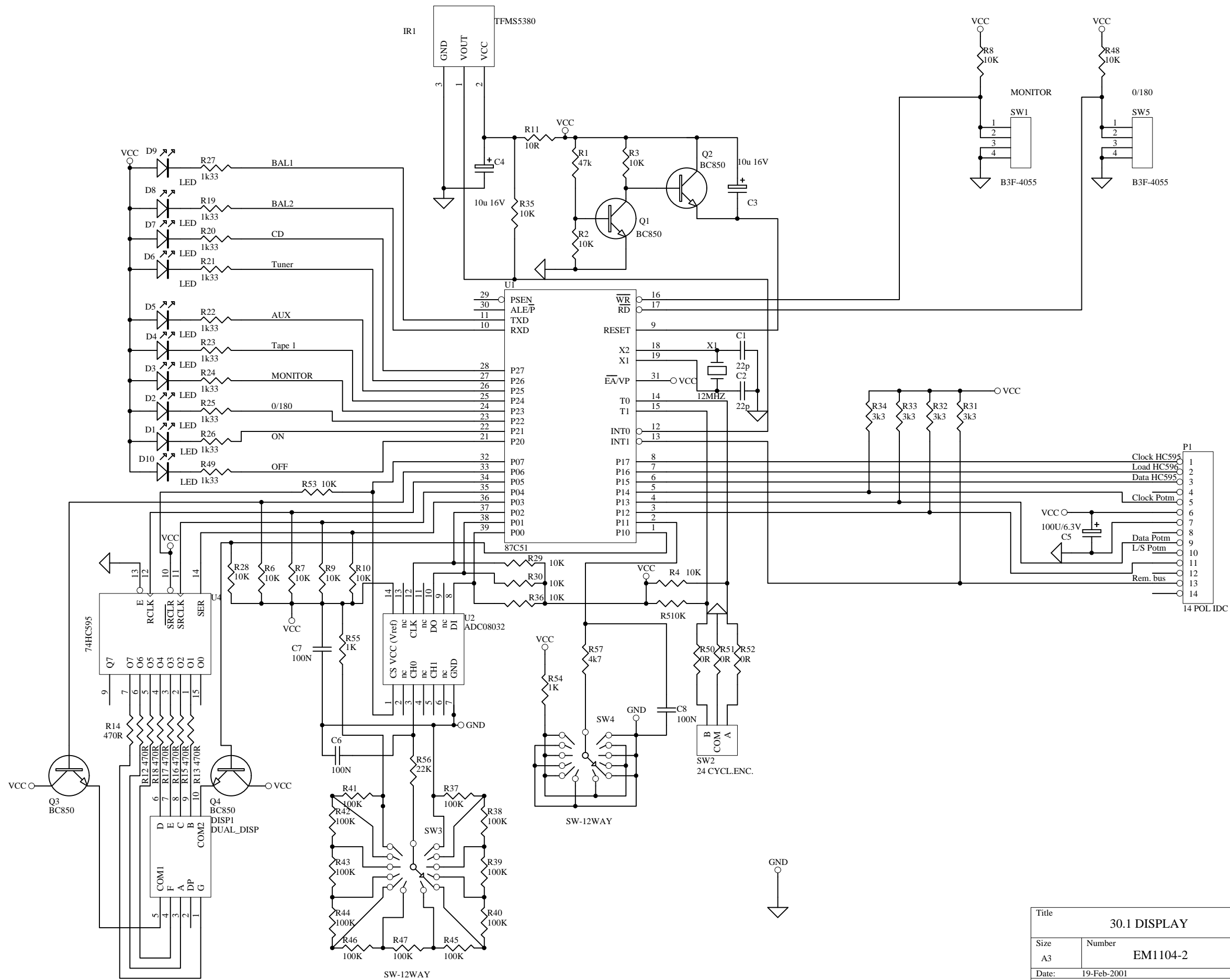
Title			A30.1 AMP
Size	Number	Revision	
A2	EM1068-5		
Date:	19-Feb-2001	Sheet 1 of 2	
File:	E:\PRIMARE\A30-1\SCH\EM1068B.SCH	Drawn By:	BN



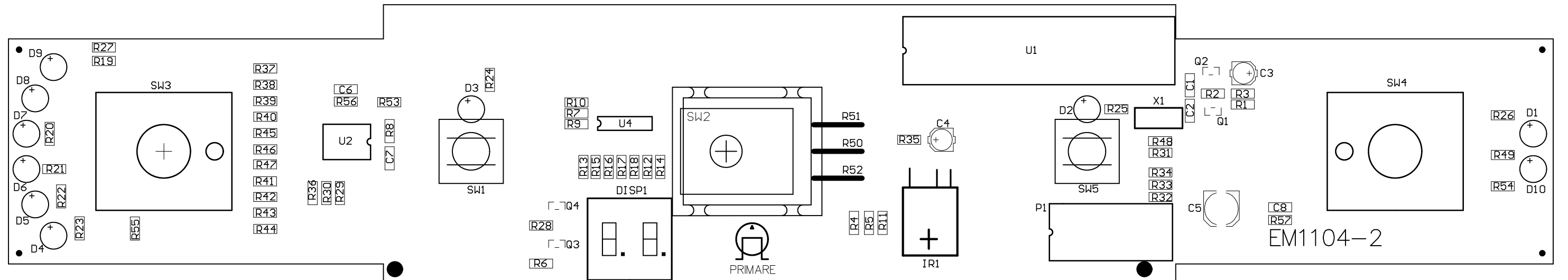
Title		
Size	Number	Revision
A2	A30.1AMP	
Date:	19-Feb-2001	Sheet of
File:	E:\PRIMARE\A30\A301AMP168A.SCH	Drawn By:

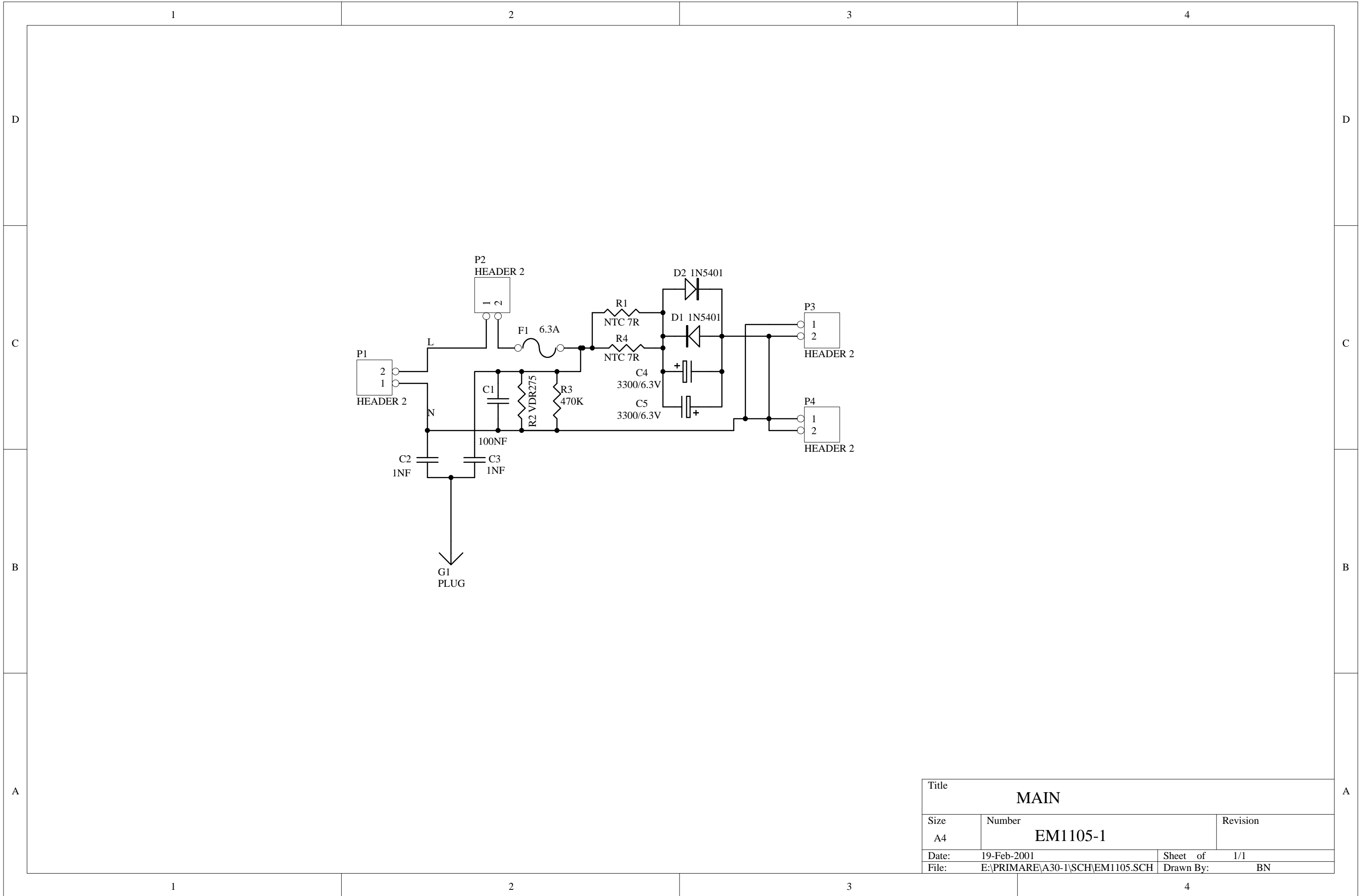


PRIMARE
EM1068-5

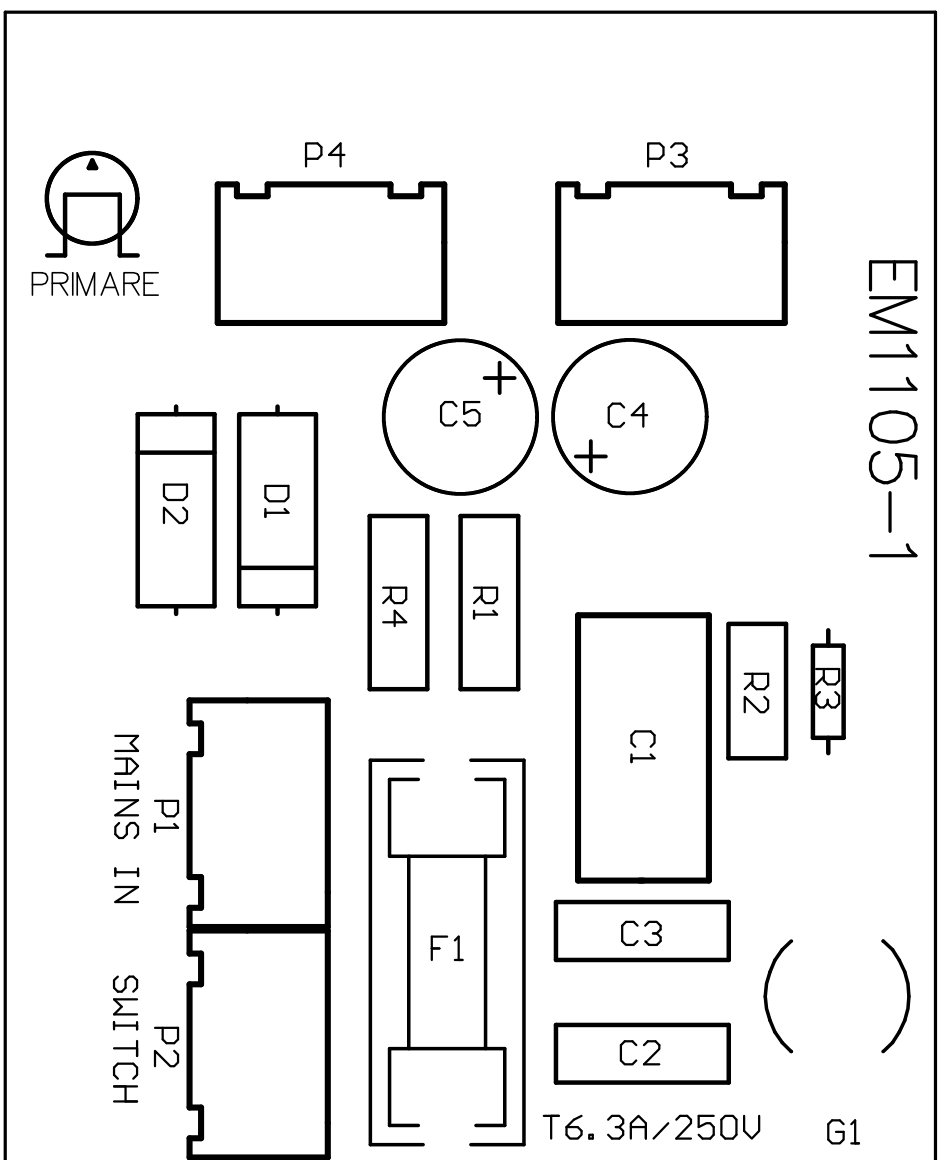


Title		
30.1 DISPLAY		
Size	Number	Revision
A3	EM1104-2	
Date:	19-Feb-2001	Sheet 1 of 1
File:	E:\PRIMARE\A30-1\SCH\EM1104-1.SCH	Drawn By: BN





Title		MAIN	
Size	Number	Revision	
A4	EM1105-1		
Date:	19-Feb-2001	Sheet of	1/1
File:	E:\PRIMARE\A30-1\SCH\EM1105.SCH	Drawn By:	BN



IDLE CURRENT ADJUSTMENT

- 1: Remove the jumper on P7 (P6)

- 2: Connect the voltmeter between pin 1 and pin 2 on P7
(pin 1 and pin 2 on P6)
ADJUST R154 (R156) TO 30mV

- 3: Connect the voltmeter between pin 3 and pin 4 on P7
(pin 3 and pin 4 on P6)
ADJUST R153 (R155) TO 30mV

4. After the power has been on for 60 min
readjust R154 (R156) and R153 (R155)

6. Remove the voltmeter and connect the jumper again.

Instructions apply to the left channel.
Instructions given in brackets apply to the
Right channel.

TECHNICAL SPECIFICATIONS

Sensitivity RCA	280mV
XLR	560 mV
Output power	2x100 W/8 ohm 2x 180 W/4 ohm
Peak current	+/- 40A
Output impedance	0.06 ohm
Frequency response	<10HZ-100KHZ, -3db
Signal to noise A-weighted	100 dB
THD+noise	0.07%
Standby	< 25 W
DIMENSIONS (WXDXH)	430X385X100 MM
Weight	15.5Kg