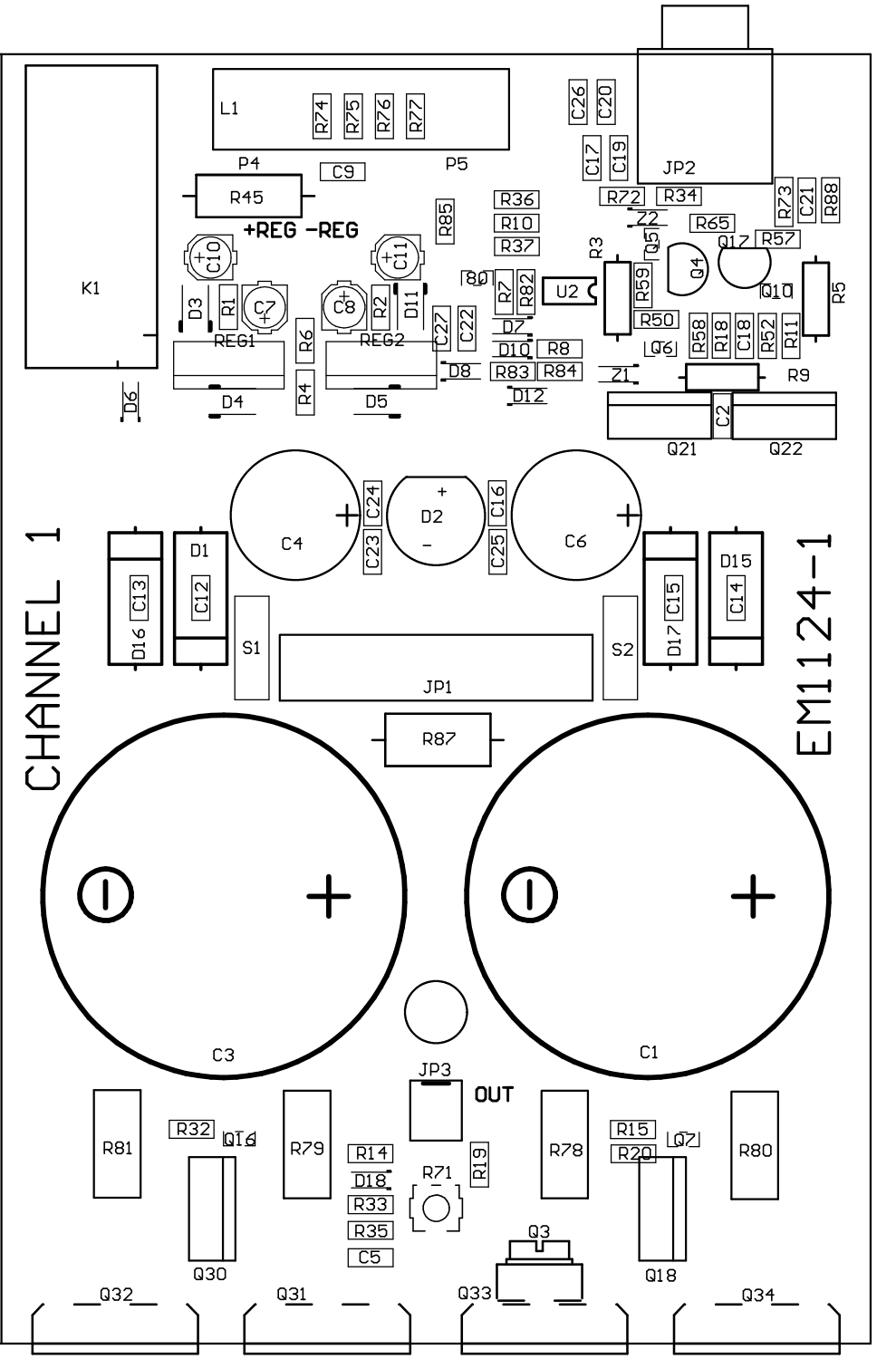
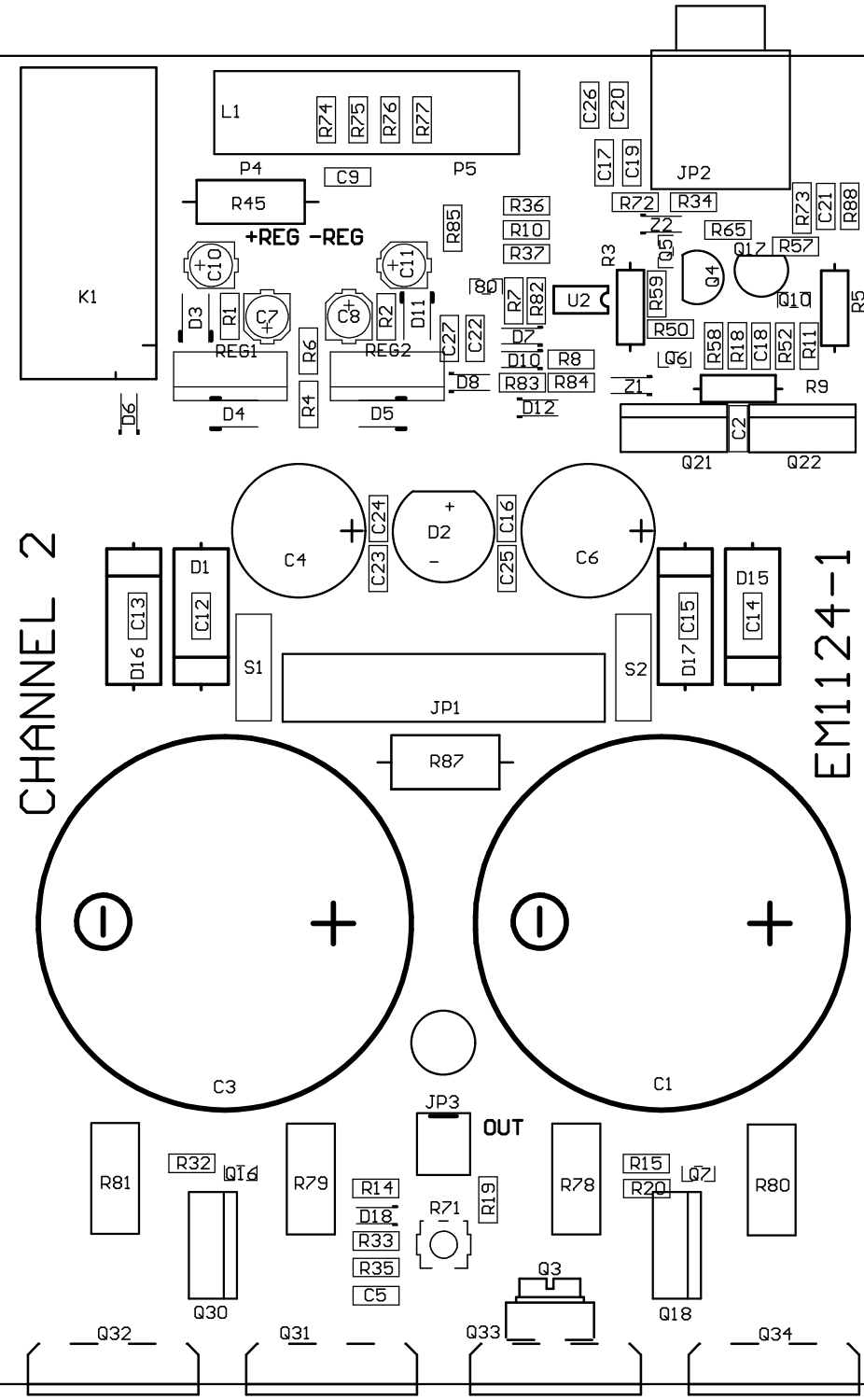
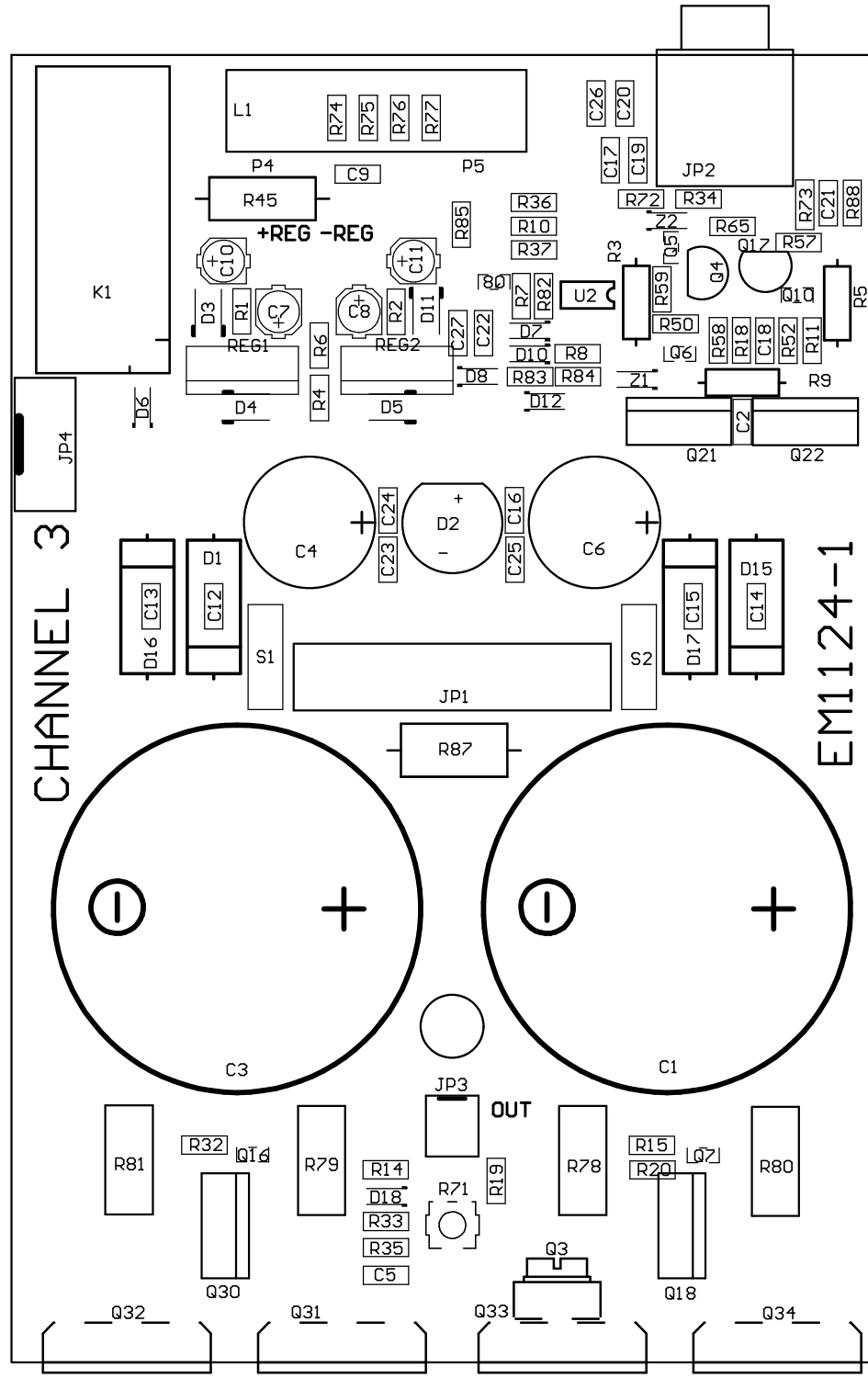
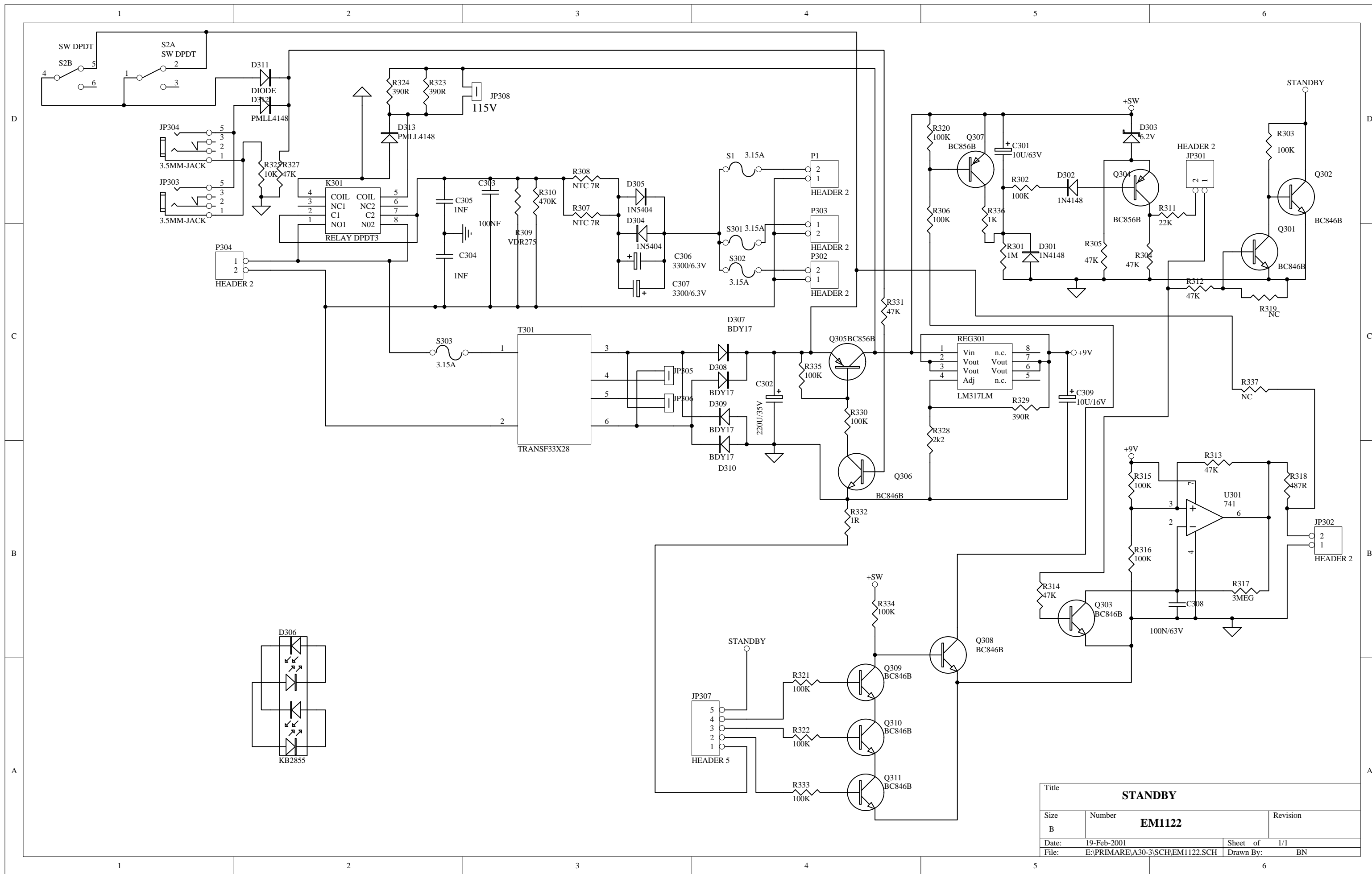


A30.3 POWER AMPLIFIER SERVICE MANUAL

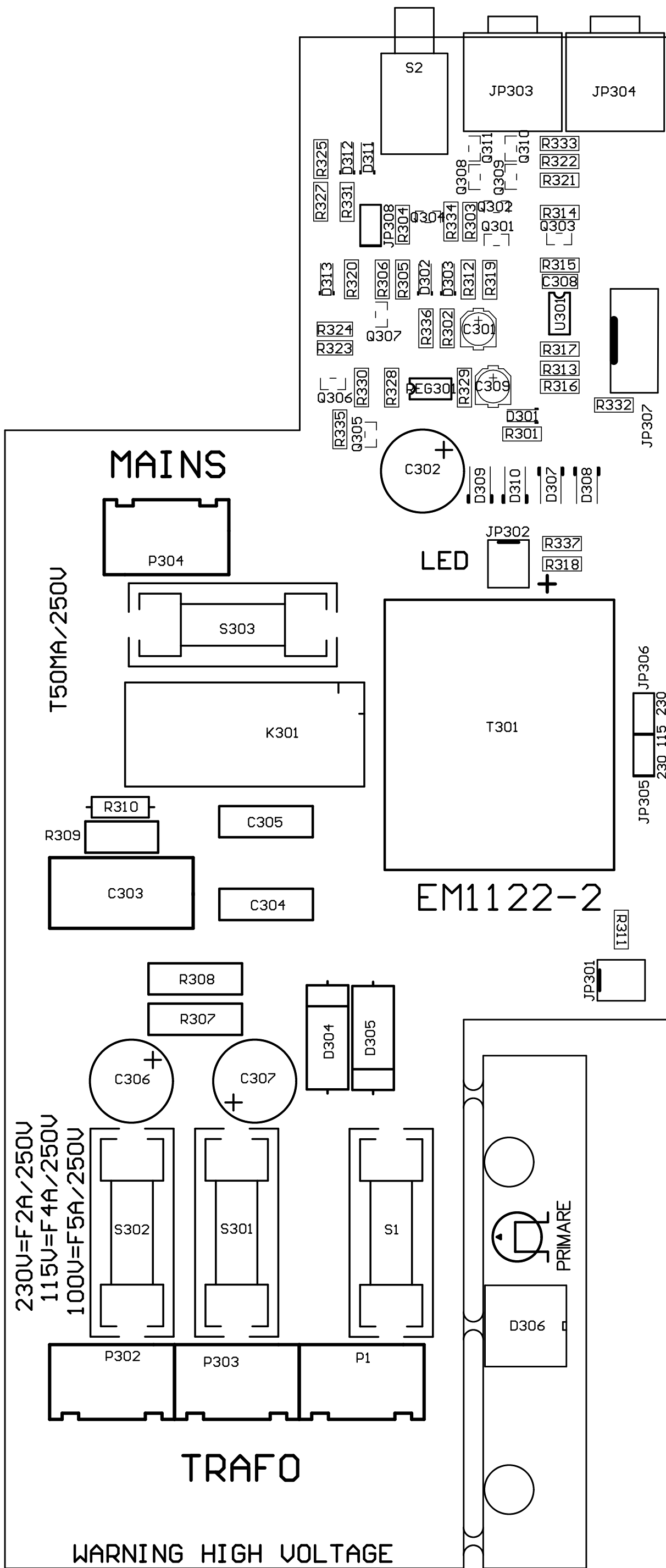
CONTENTS

1. CIRCUIT DIAGRAMS
2. ADJUSTMENT
3. TECHNICAL SPECIFICATIONS





| | | | | | | | |
|-------|---------------|----------|--|---------------------------------|--|-----------|--|
| Title | | | | STANDBY | | | |
| Size | Number | Revision | | Date: | | Sheet of | |
| B | EM1122 | | | 19-Feb-2001 | | 1/1 | |
| File: | | | | E:\PRIMARE\A30-3\SCH\EM1122.SCH | | Drawn By: | |
| | | | | BN | | | |



IDLE CURRENT ADJUSTMENT

- 1: Switch on the amplifier and leave unit on for at least 15min.
- 2: Connect a voltmeter to JP3 and adjust potentiometer R71 to 15mV +/-1mV
- 3: After the power has been on for 30 min readjust R71 for 15mV +/-1mV

TECHNICAL SPECIFICATIONS

| | |
|----------------------------|--------------------------|
| Output power per channel | 3X120W/8 ohm, 200W/4 ohm |
| Output impedance | 0.03 ohm |
| DC offset | <5mV |
| Frequency response | <10HZ-100KHZ -3db |
| Signal to noise A-weighted | 100 dB |
| THD+noise | <0.08% |

| | |
|---------|-------|
| Standby | <3.5W |
|---------|-------|

| | |
|--------------------|----------------|
| DIMENSIONS (WXDXH) | 430X385X100 MM |
| Weight | 16Kg |

