



**PRIMARE**



**A31.2 Power Amplifier  
Service Manual**

1. Schematics and Pcb.
2. Technical Specifications.

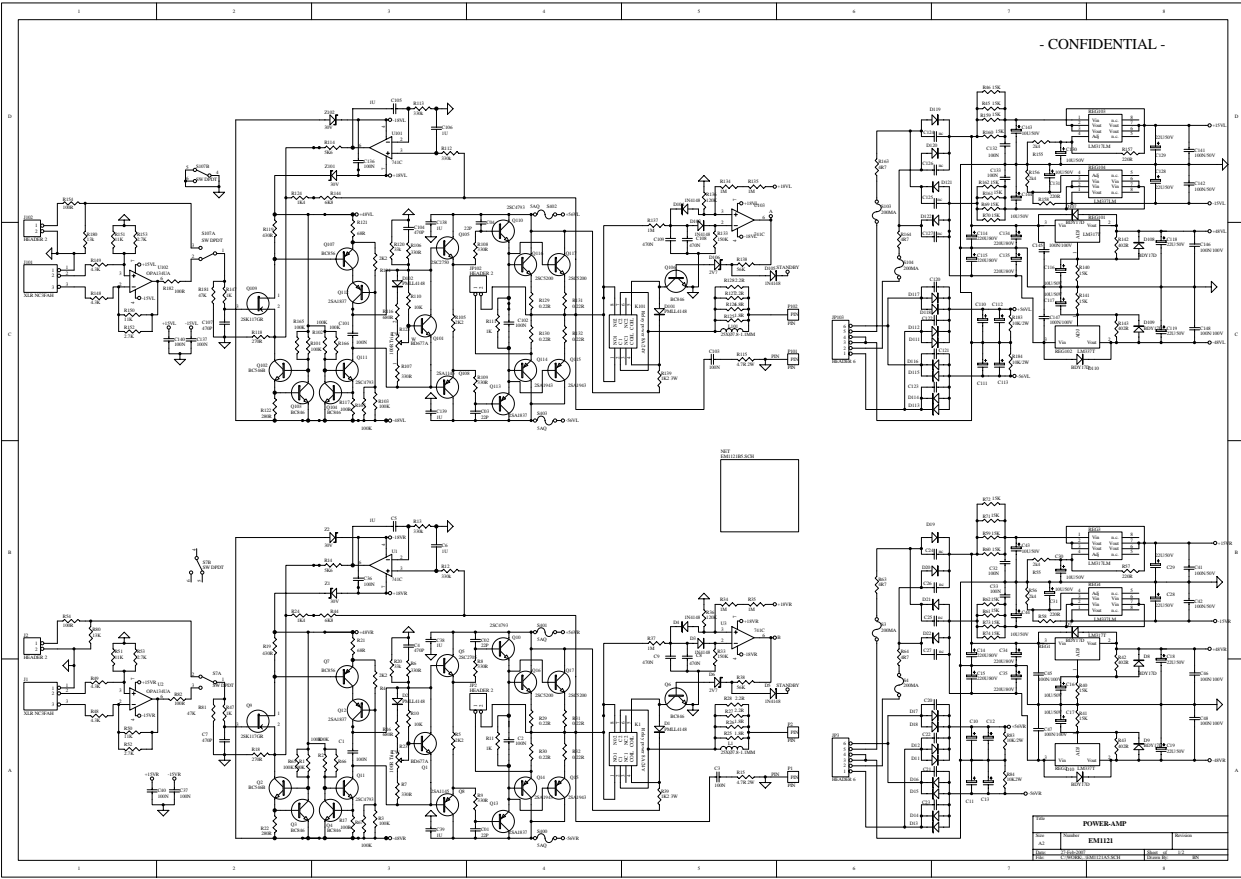
**Confidential !**

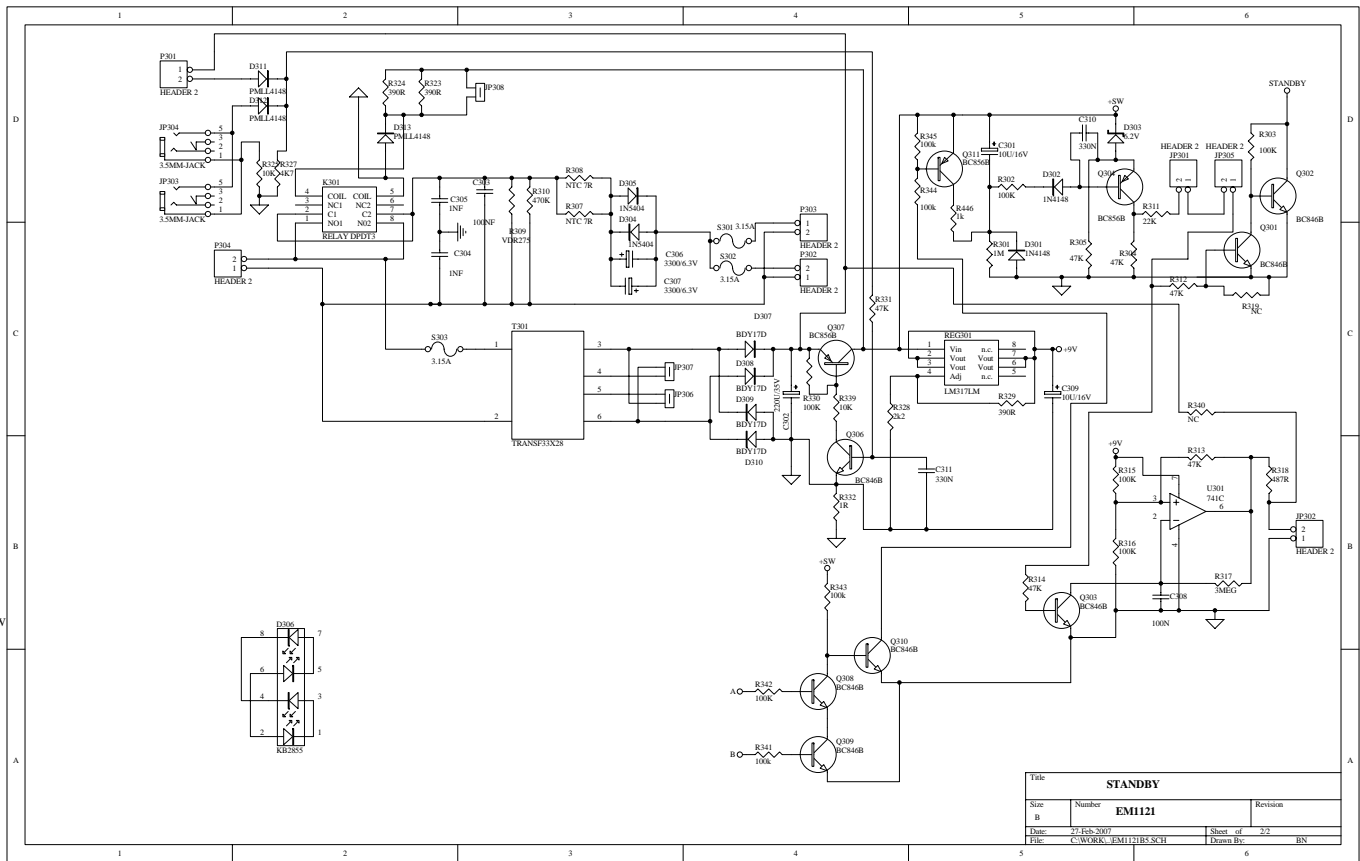
This document is not allowed to show for third part without written permission from Primare Systems AB.

This document is subject to change without notice.

**Author:**

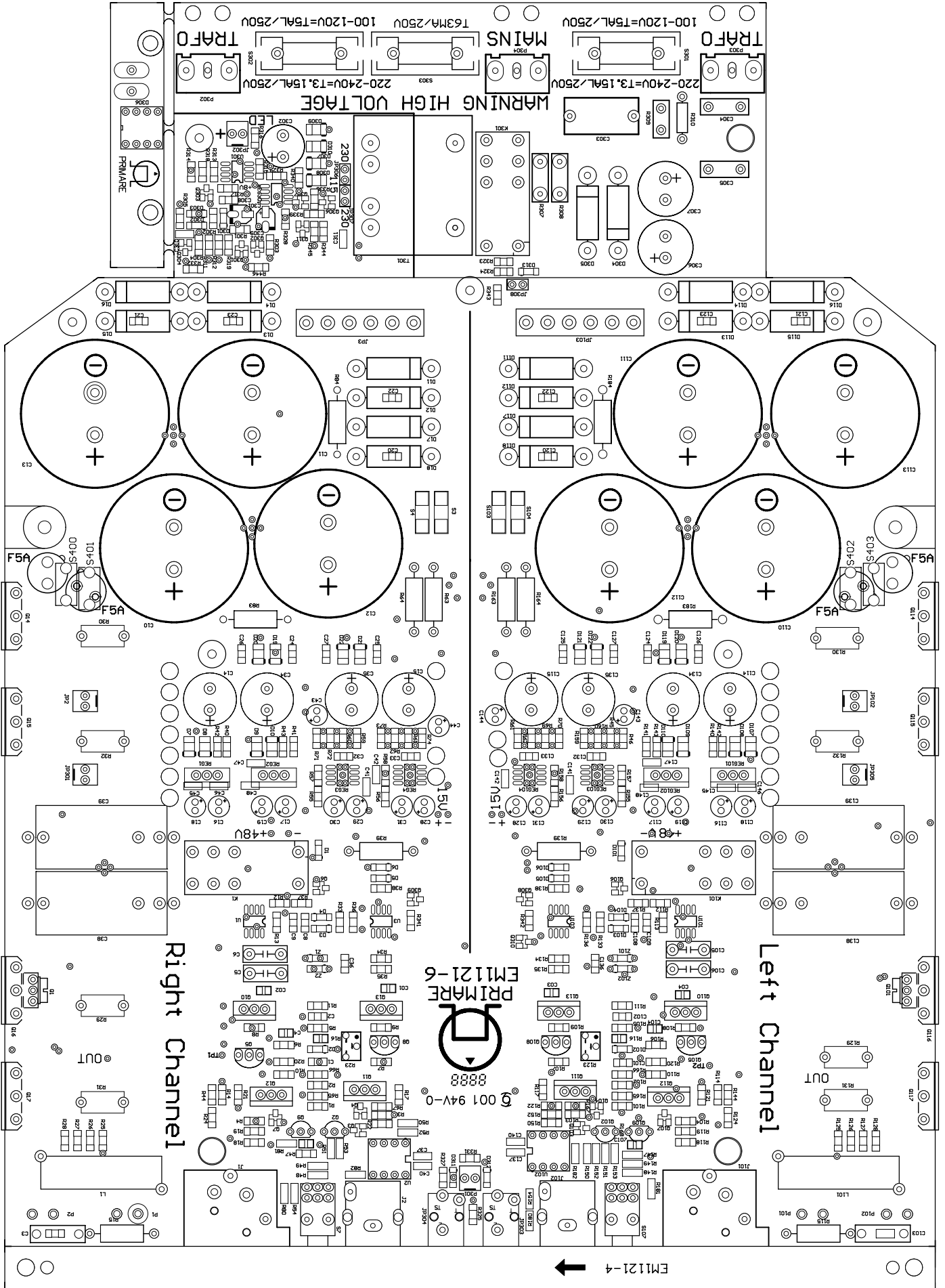
Bjorn Holmqvist  
Primare AB





Title		
<b>STANDBY</b>		
Size	Number	Revision
B	EM1121	
Date	27 Feb 2007	Sheet of 2/2
File	C:\WORK\EM1121HS.SCH	Drawn By: BN

机械一层表示的是二次孔



TMWZK

## IDLE CURRENT ADJUSTMENT

- 1: Connect the voltmeter to JP2 ( JP102)  
ADJUST R23 ( R123 ) TO 20mV
2. After the power has been on for 60 min  
readjust R23 (R123)
3. Remove the voltmeter.

Instructions apply to the Right channel.  
Instructions given in brackets apply to the  
Left channel.

# TECHNICAL SPECIFICATIONS

Output power per channel	120W/8 ohm,200W/4 ohm (1X400W)
Output impedance	0.03 ohm
DC offset	<5mV
Frequency response	<10HZ-100KHZ -3db
Signal to noise A-weighted	100 dB
THD+noise	<0.08%
Standby	<3.5W
DIMENSIONS (WXDXH)	430X385X100 MM
Weight	16Kg