



PRIMARE



DAC30

Service Manual

1. Schematics and Pcb.
2. Technical specification.

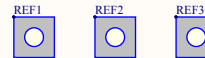
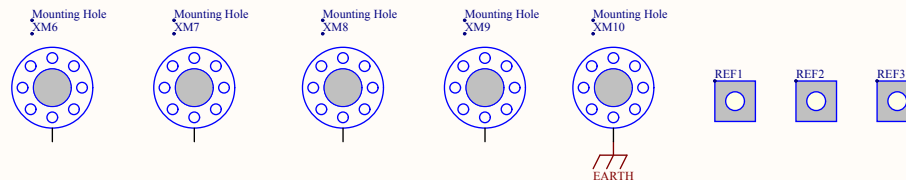
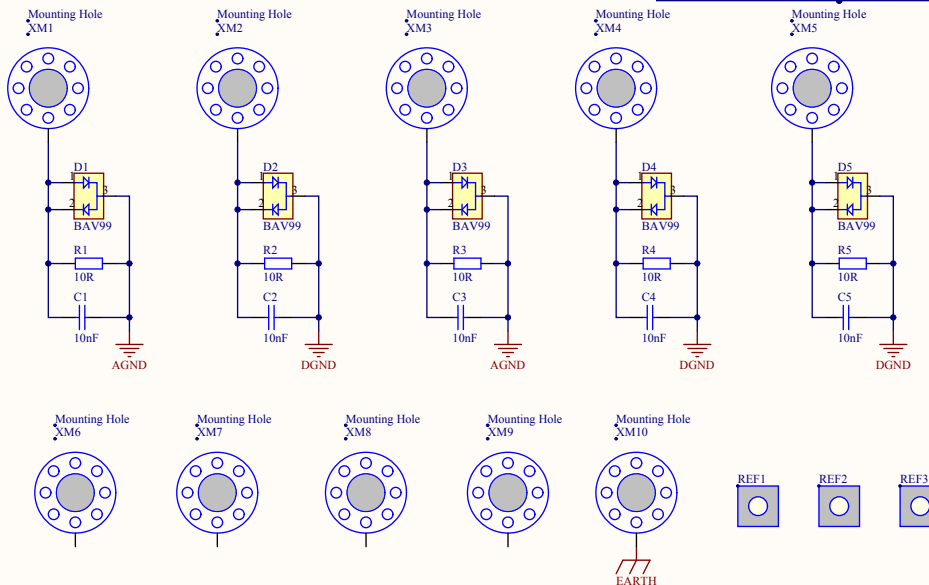
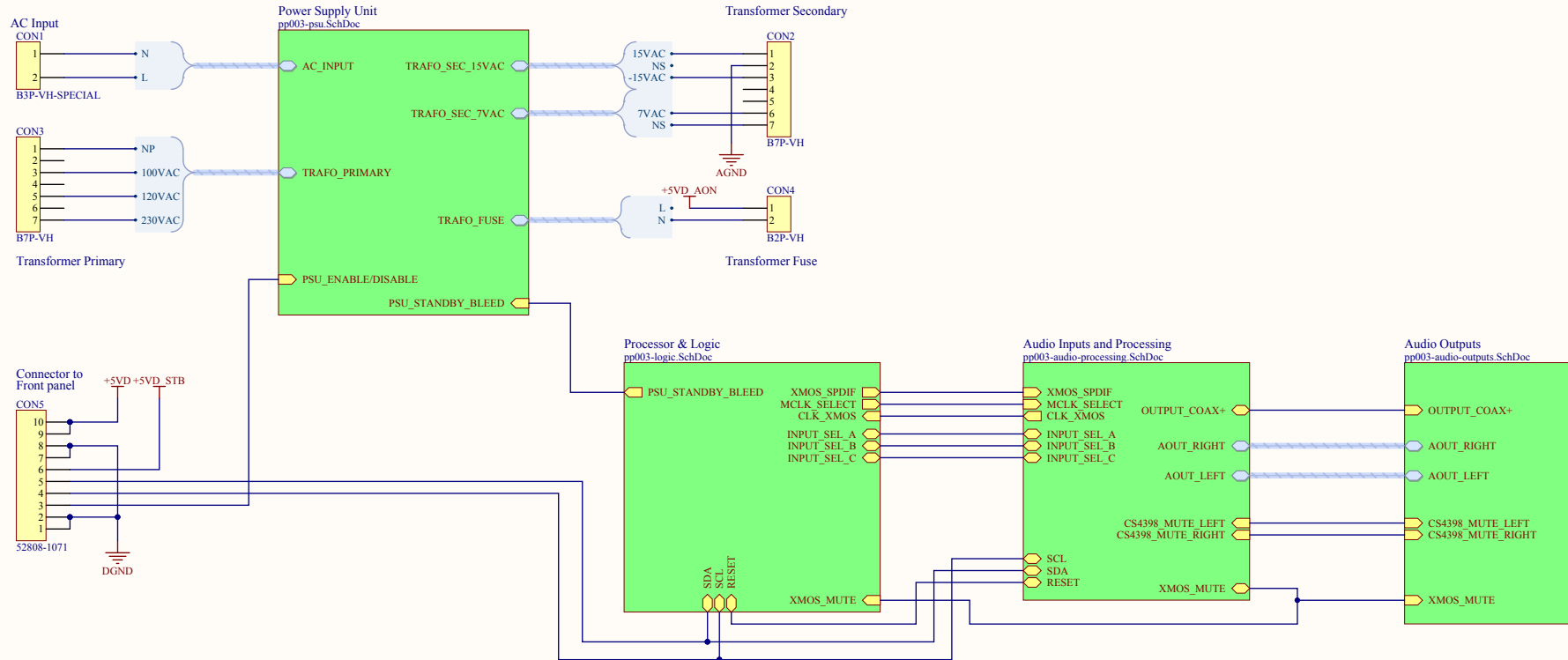
Confidential !

This document is not allowed to show for third part without written permission from Primare Systems AB.

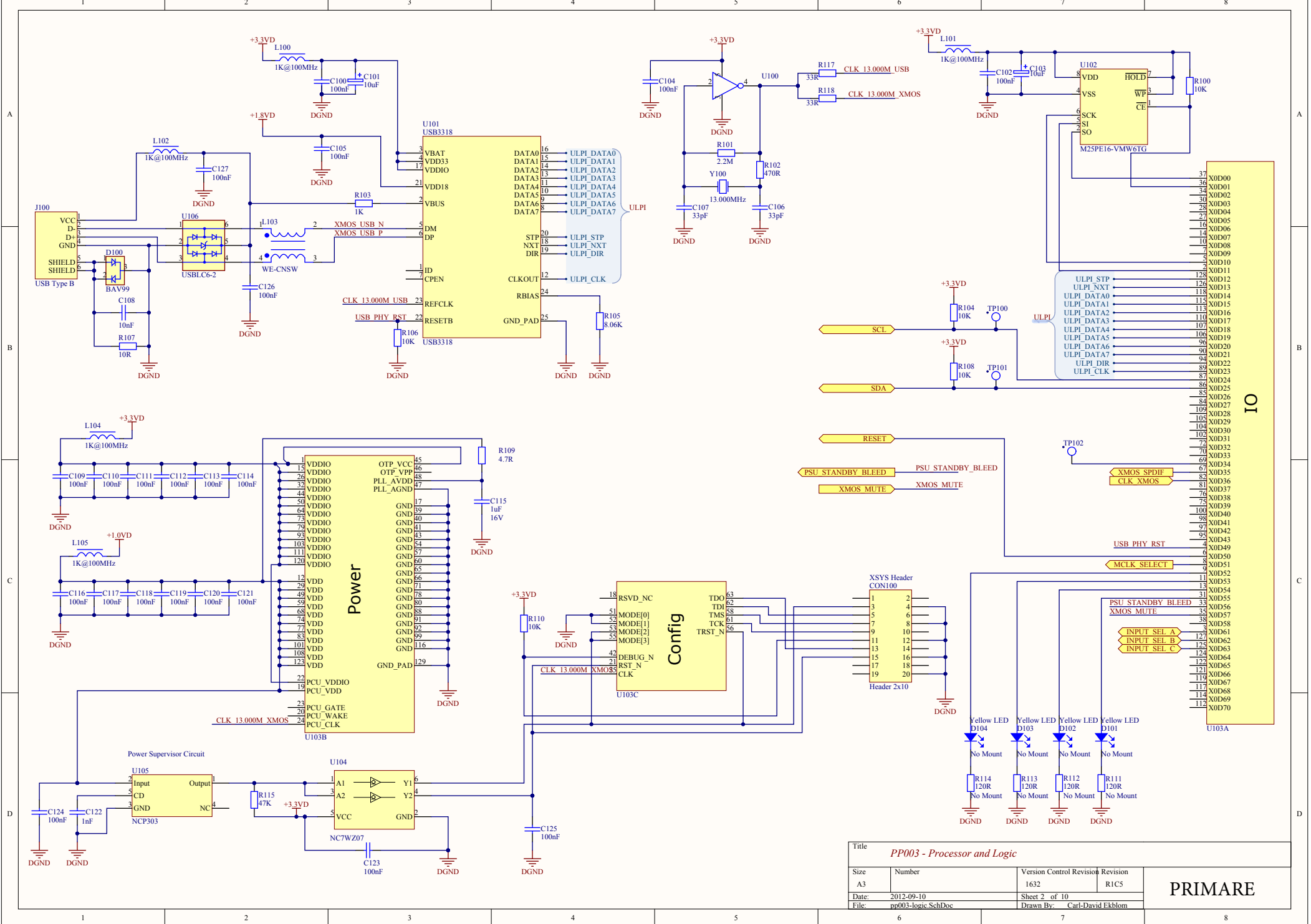
This document is subject to change without notice.

Author:

Primare AB

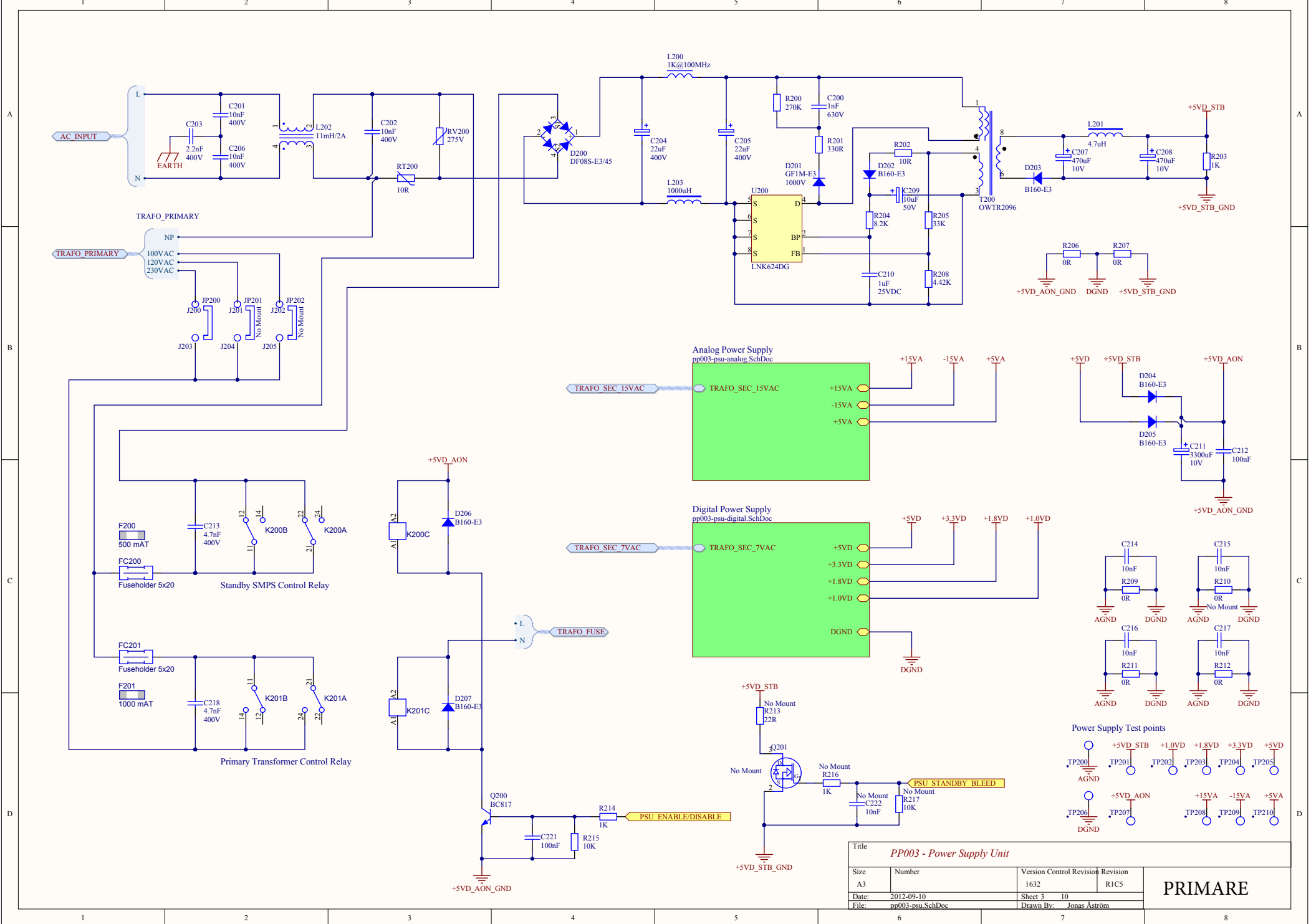


Title				PP003 - Main	
Size	Number	Version Control	Revision	Revision	PRIMARE
A3		1632		R1C5	
Date:	2012-09-10	Sheet 1 of 10			
File:	pp003-main.SchDoc	Drawn By:		Jonas Aström	



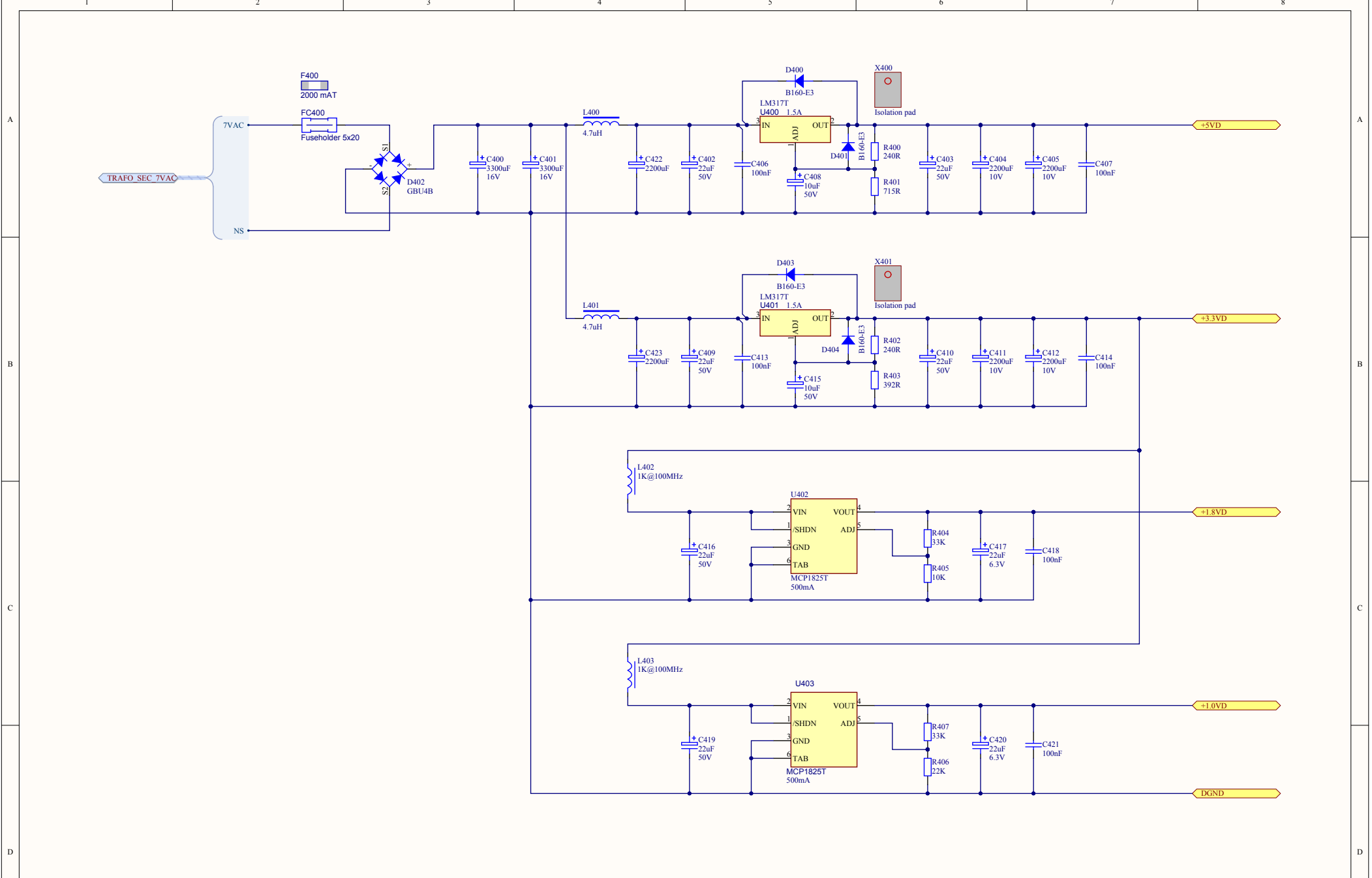
Title			
PP003 - Processor and Logic			
Size	Number	Version Control	Revision
A3		1632	RIC5
Date:	2012-09-10	Sheet 2 of 10	
File:	pp003-logic SchDoc	Drawn By:	Carl-David Ekblom

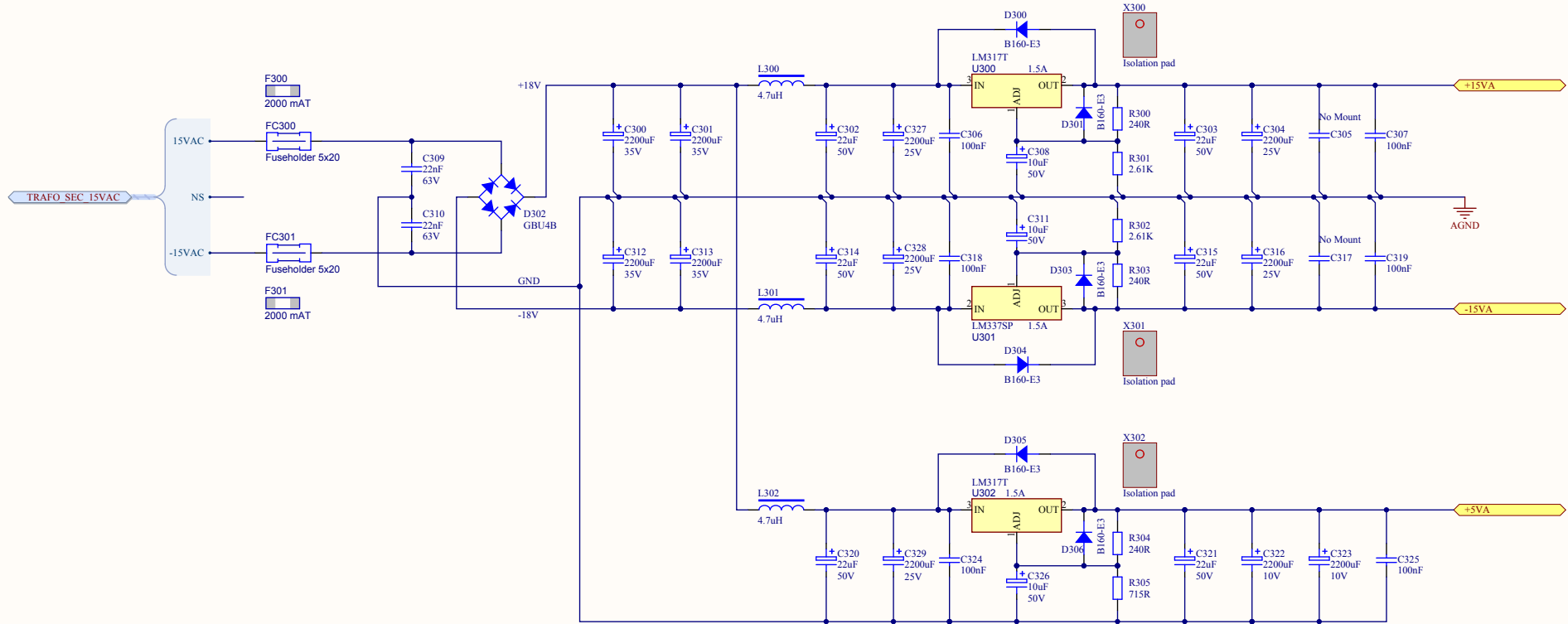
PRIMARE



Title PP003 - Power Supply Unit			
Size A3	Number	Version Control 1632	Revision R1C5
Date: 2012-09-10	Sheet 3 of 10		Drawn By: Jonas Aström
File: pp003-psu.SchDoc			

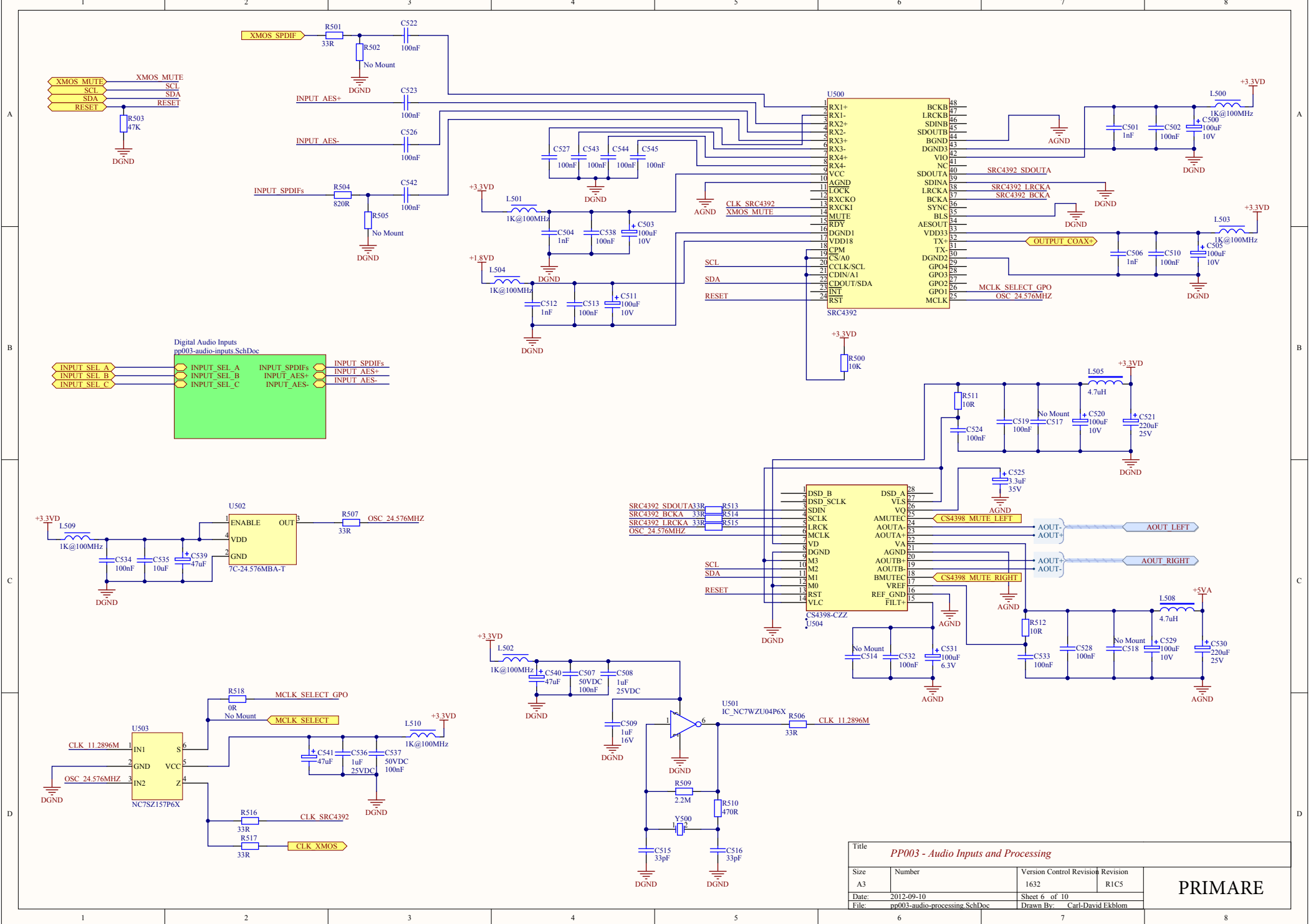
PRIMARE





Title				PP003 - Analog PSU	
Size	Number	Version Control	Revision	Revision	
A3		1632		R1C5	
Date:	2012-09-10	Sheet 4 of 10			
File:	pp003-psu-analog.SchDoc	Drawn By: Jonas Aström			

PRIMARE



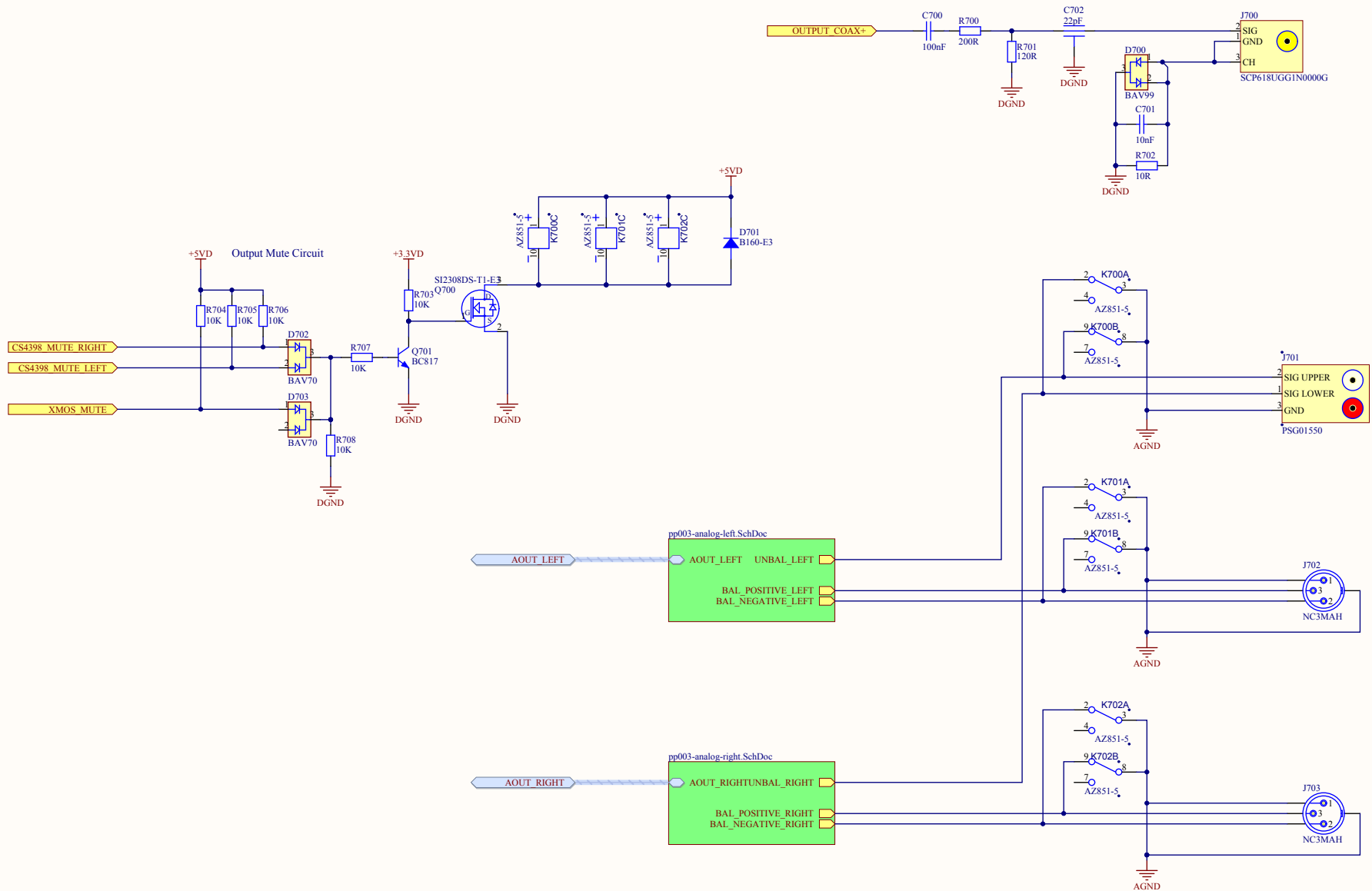
Digital Audio Inputs
pp003-audio-inputs.SchDoc

INPUT_SEL_A, INPUT_SEL_B, INPUT_SEL_C

INPUT_SPDIFs, INPUT_AES+, INPUT_AES-

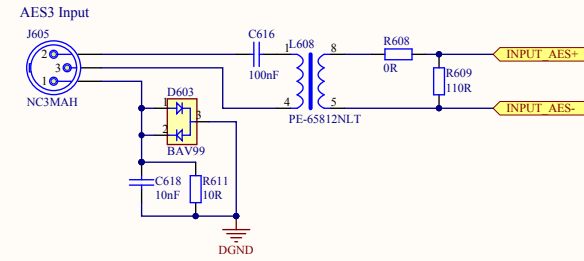
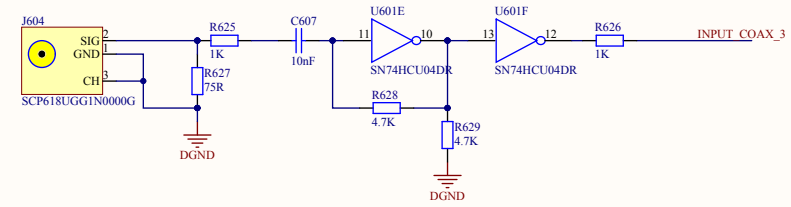
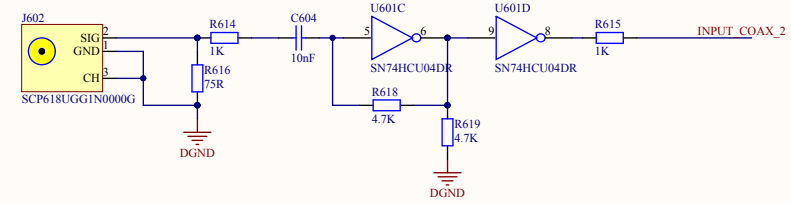
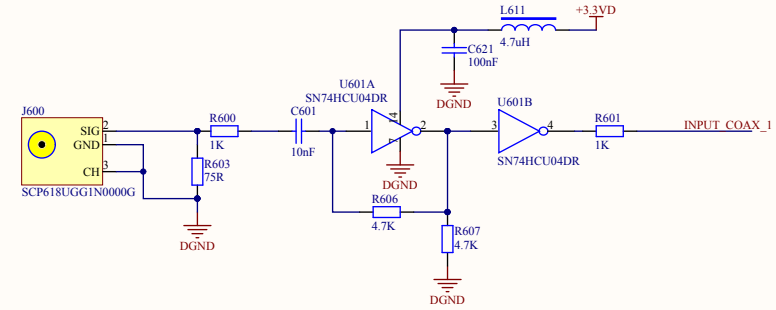
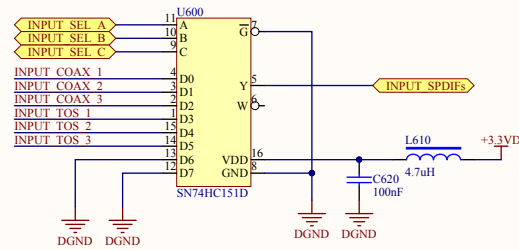
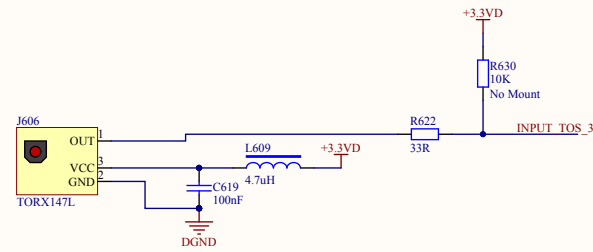
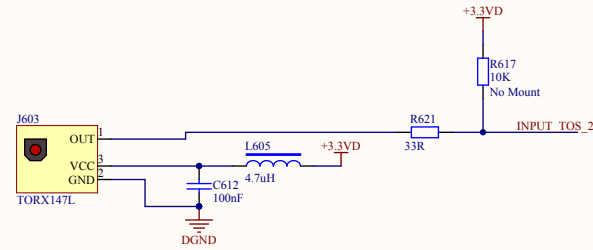
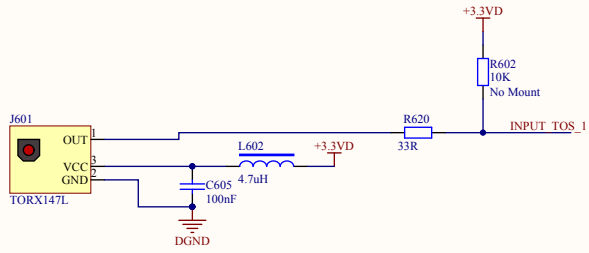
Title PP003 - Audio Inputs and Processing			
Size A3	Number 1632	Version Control 1632	Revision R1C5
Date: 2012-09-10	Sheet 6 of 10		
File: pp003-audio-processing.SchDoc	Drawn By:	Carl-David Ekblom	

PRIMARE

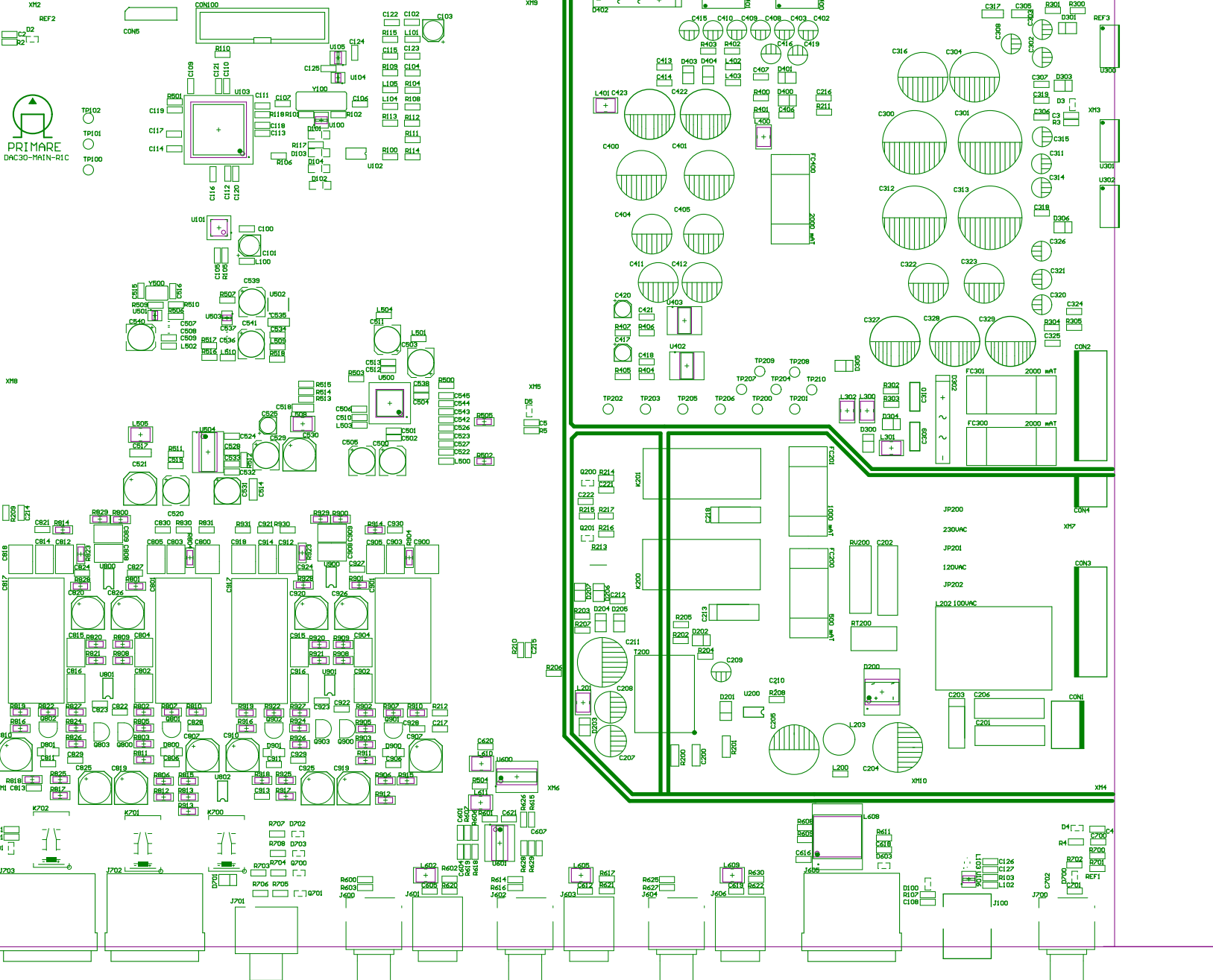


Title				<i>PP003 - Audio Outputs</i>	
Size	Number	Version Control	Revision	Revision	
A3		1632		R1C5	
Date:	2012-09-10	Sheet 7 of 10			
File:	pp003-audio-outputs.SchDoc	Drawn By:		Jonas Aström	

PRIMARE



Title				PRIMARE
PP003 - Audio Inputs				
Size	Number	Version Control	Revision	
A3		1632	R1C5	
Date:	2012-09-10		Sheet 10 of 10	
File:	pp003-audio-inputs_SchDoc		Drawn By: Carl-David Ekblom	



PRIMARE
DAC30-MAIN-1IC

- TP102
- TP101
- TP100

J703
J702
J701

R707 D702
R708 D703
R709 D704
R703 R704 D700
R706 R705 T701

R600
R603
J600
L602 R602
R605 R620
R614 R616
J602

L606 R612
R617 R621
J603

R626
R627
J604

L609 R630
R618 R622
J606

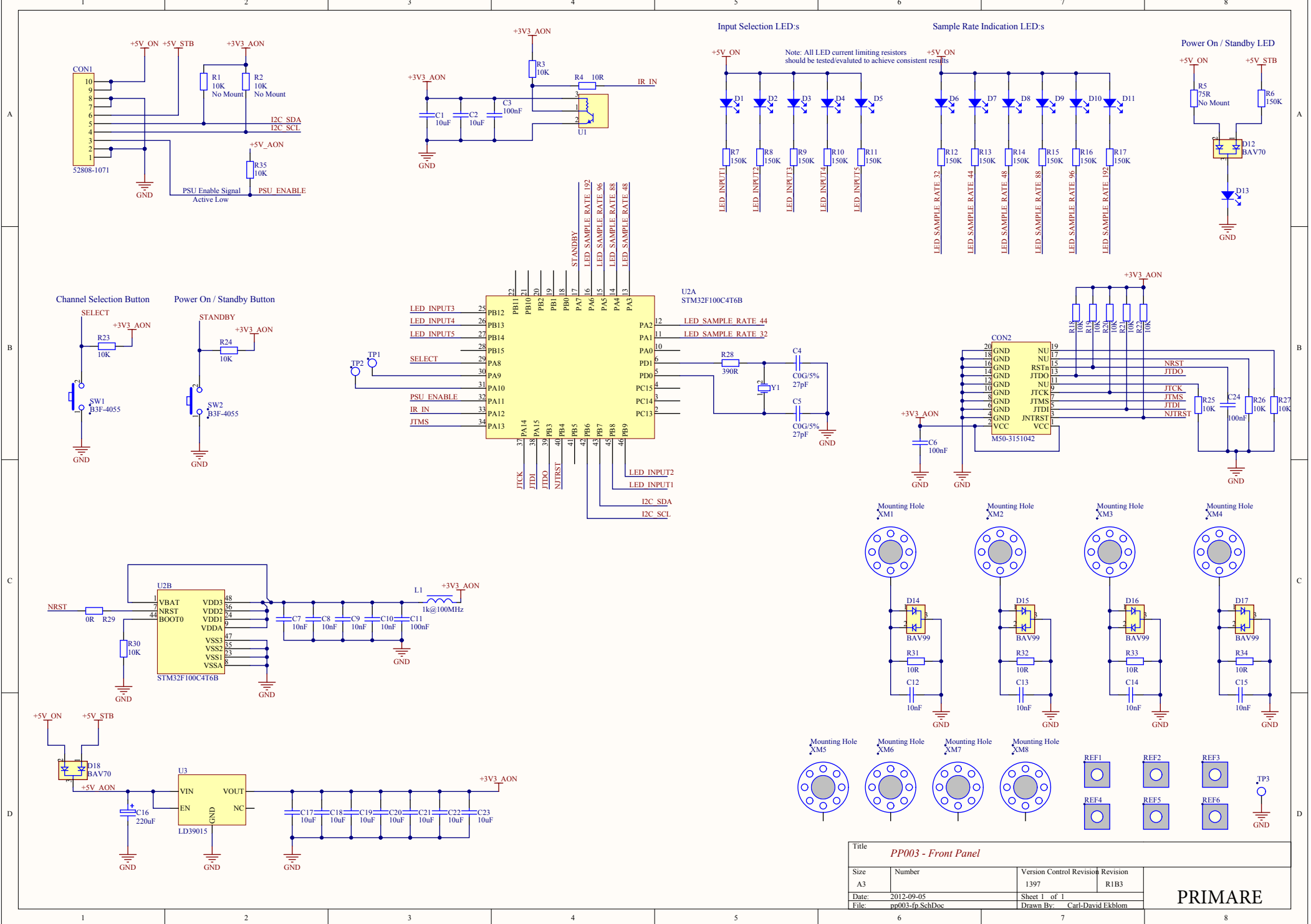
R605 R606
R611 R613
R603
L608
J608

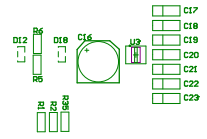
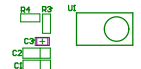
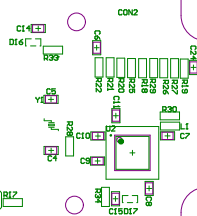
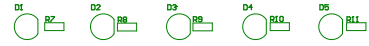
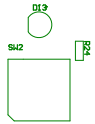
D4 C200
R4 R200
R202 R701
REF1
R203 R204
REF2

C126
C127
R103
L102
C102
C101
C108
R107
J100
C702
J700

CON1
CON2
CON3
CON4

U300
U301
U302
U303
U304
U305
U306
U307
U308
U309
U310
U311
U312
U313
U314
U315
U316
U317
U318
U319
U320
U321
U322
U323
U324
U325
U326
U327
U328
U329
U330
U331
U332
U333
U334
U335
U336
U337
U338
U339
U340
U341
U342
U343
U344
U345
U346
U347
U348
U349
U350
U351
U352
U353
U354
U355
U356
U357
U358
U359
U360
U361
U362
U363
U364
U365
U366
U367
U368
U369
U370
U371
U372
U373
U374
U375
U376
U377
U378
U379
U380
U381
U382
U383
U384
U385
U386
U387
U388
U389
U390
U391
U392
U393
U394
U395
U396
U397
U398
U399
U400
U401
U402
U403
U404
U405
U406
U407
U408
U409
U410
U411
U412
U413
U414
U415
U416
U417
U418
U419
U420
U421
U422
U423
U424
U425
U426
U427
U428
U429
U430
U431
U432
U433
U434
U435
U436
U437
U438
U439
U440
U441
U442
U443
U444
U445
U446
U447
U448
U449
U450
U451
U452
U453
U454
U455
U456
U457
U458
U459
U460
U461
U462
U463
U464
U465
U466
U467
U468
U469
U470
U471
U472
U473
U474
U475
U476
U477
U478
U479
U480
U481
U482
U483
U484
U485
U486
U487
U488
U489
U490
U491
U492
U493
U494
U495
U496
U497
U498
U499
U500





409,70

45,70

DAC30 : Features

- 24 / 192 kHz
- Crystal DSD DAC CS4398
- Fully balanced analogue output stage
- Outputs: 1 pair XLR and 1 pair RCA (both 2.2V)
- Inputs: 1x asynchronous USB-B, 1x AES/EBU, 3x Optical, 3x Coax S/PDIF
- An audiophile relay controlled MUTE circuit
- Linear R-Core transformer
- Signal to Noise 120dB
- Input selection, DIM, ON/OFF can be operated by remote C23 or C33.
(select MEDIA)
- Dimensions 430 x 370 x 95mm