



PRIMARE



**I21 with EM1061-8
Integrated Amplifier
Service Manual**

1. Schematics and Pcb.
2. Technical Specifications.

Confidential !

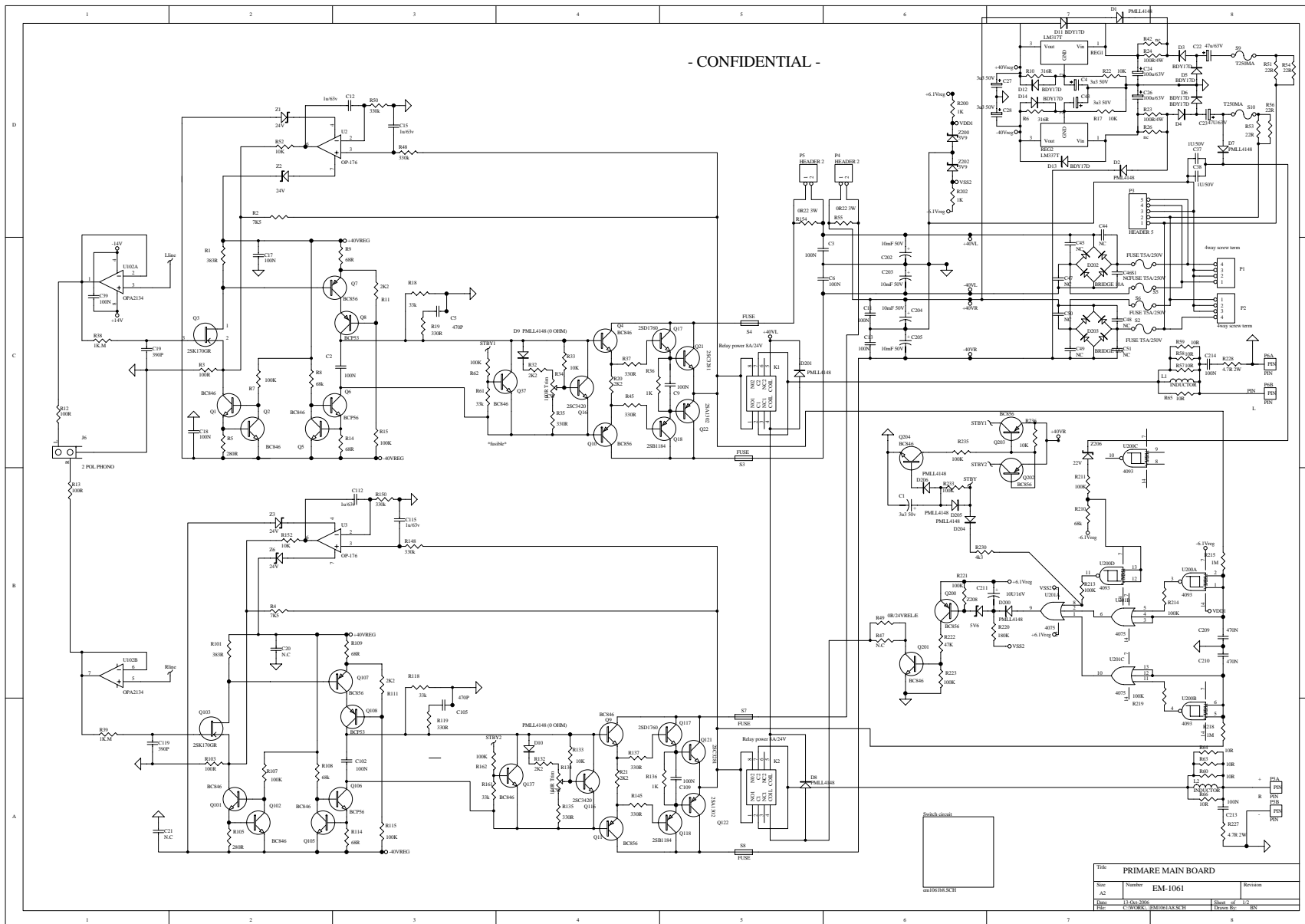
This document is not allowed to show for third part without written permission from Primare Systems AB.

This document is subject to change without notice.

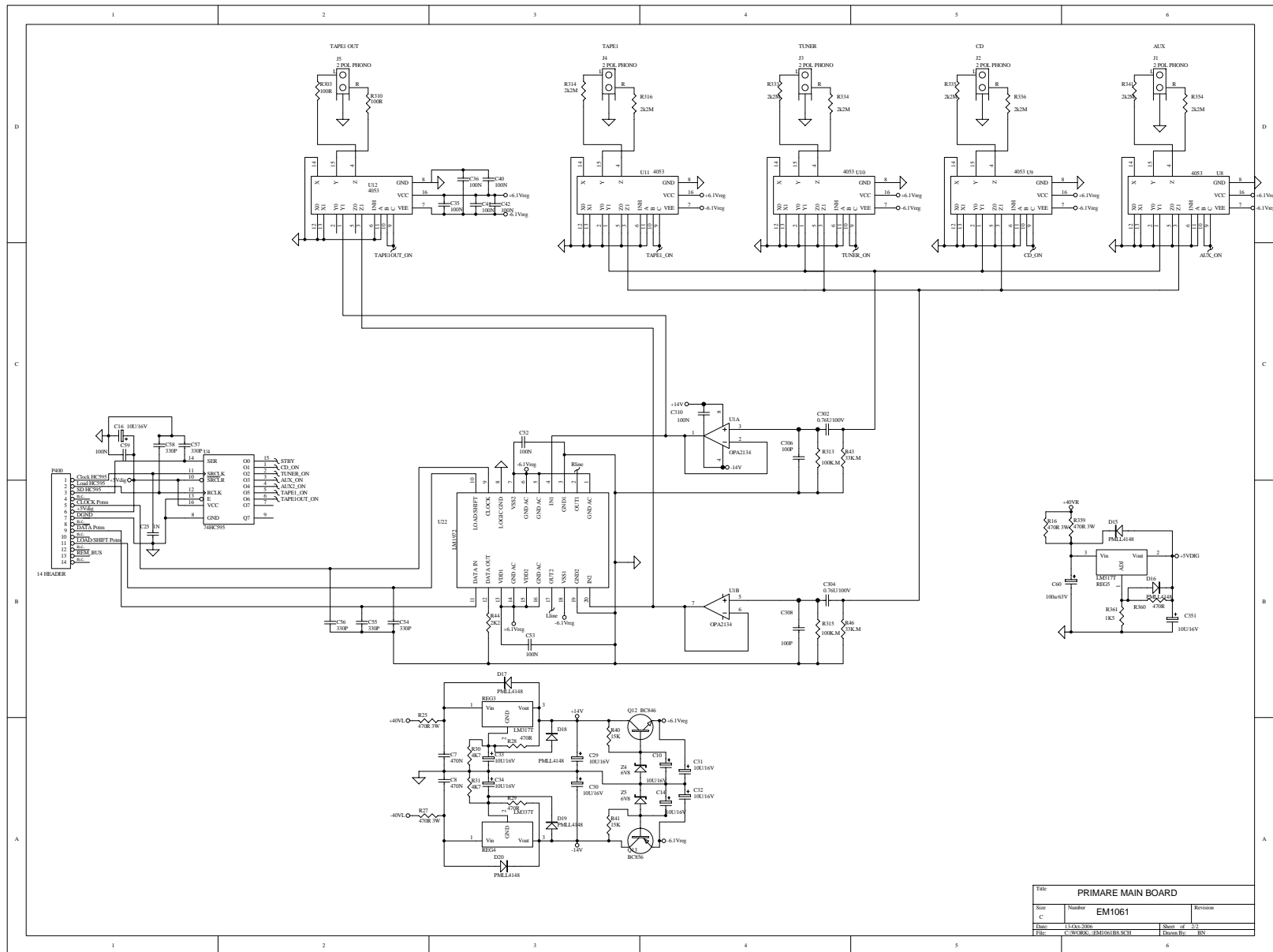
Author:

Bjorn Holmqvist
Primare AB

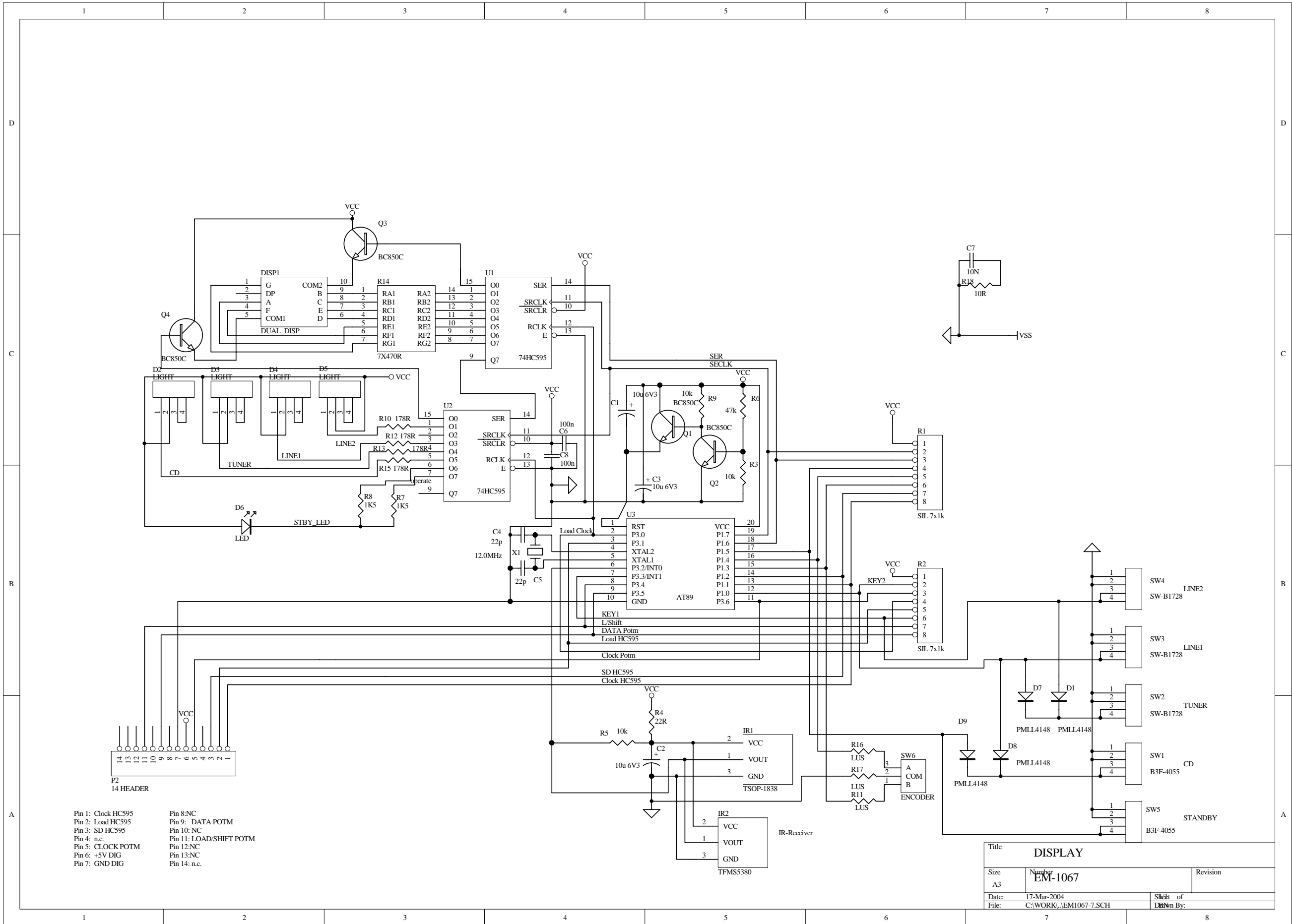
- CONFIDENTIAL -



Title			
PRIMARE MAIN BOARD			
No.	Number	Revision	
1	EM-1061		
Date:	11 Oct 2005	Sheet of	12
File:	C:\WORK\EM1061.ASCH	Drawn By:	BN

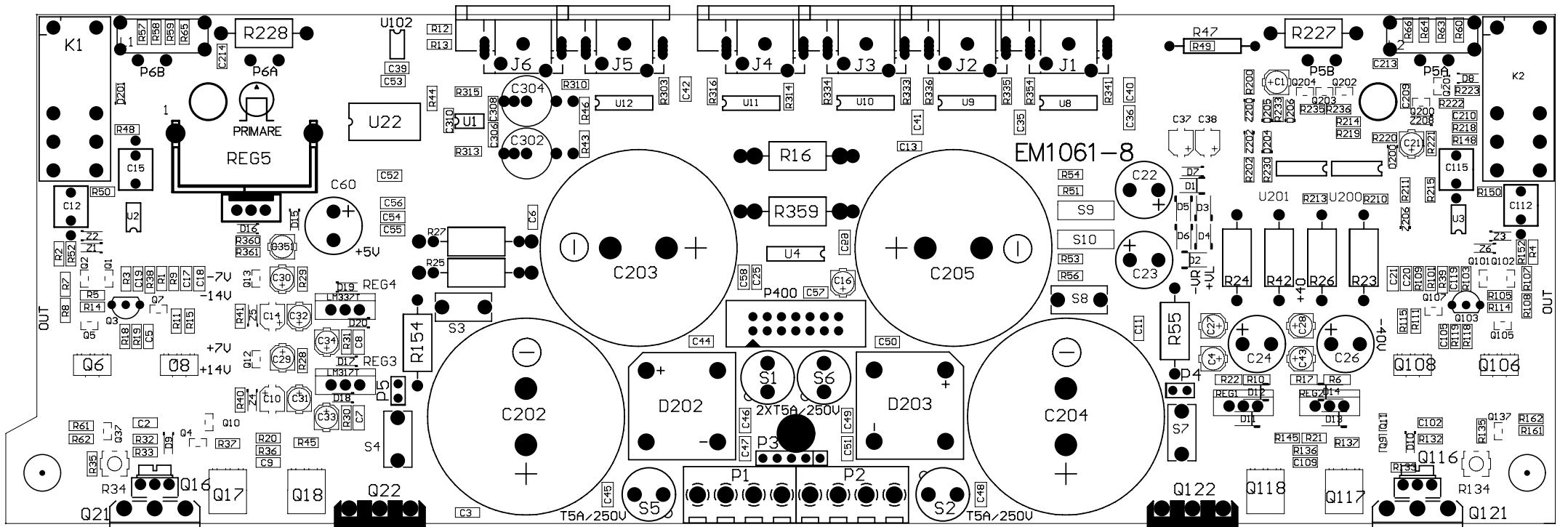


PRIMARE MAIN BOARD		
Rev	Number	Revision
C	EM1061	
Date	14.04.2006	Sheet of 23
File	C:\WORK\EM1061\BSC.H	Drawn By: BN

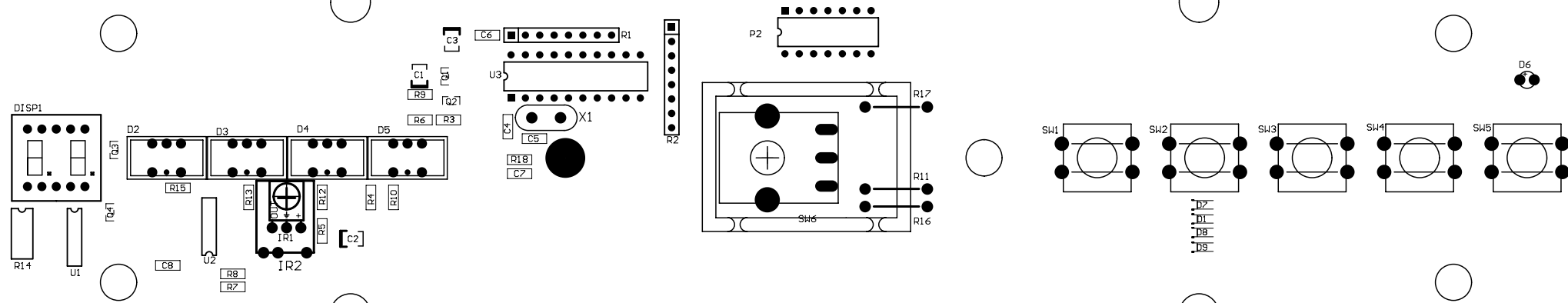


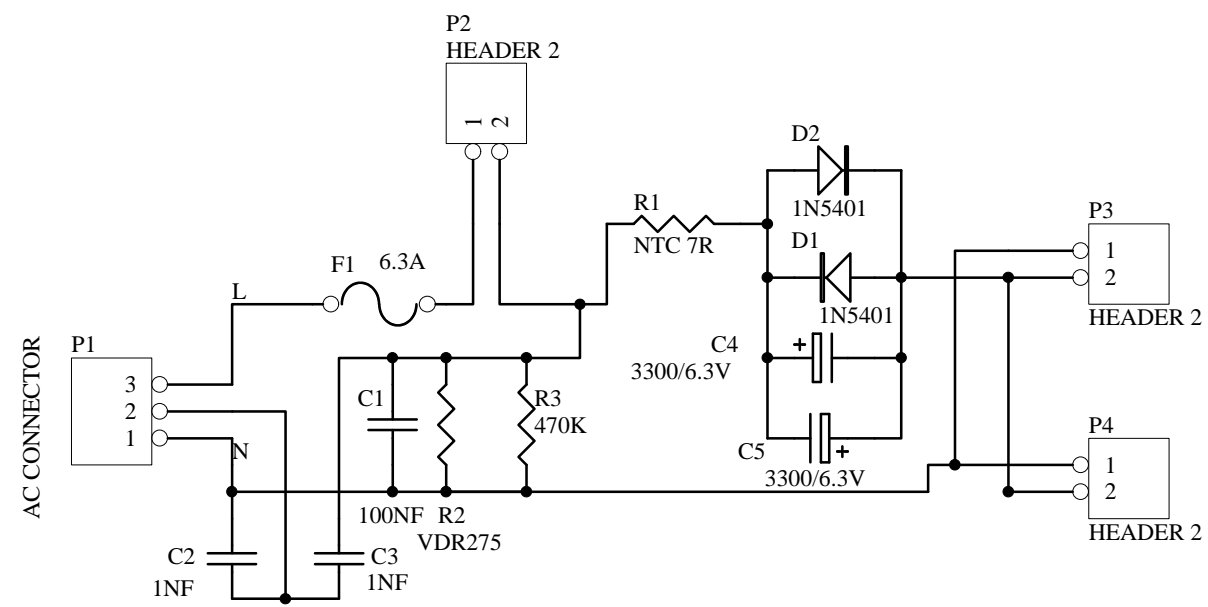
- Pin 1: Clock HC595
- Pin 2: Load HC595
- Pin 3: SD HC595
- Pin 4: n.c.
- Pin 5: CLOCK POTM
- Pin 6: +5V DIG
- Pin 7: GND DIG
- Pin 8:NC
- Pin 9: DATA POTM
- Pin 10: NC
- Pin 11: LOAD/SHIFT POTM
- Pin 12:NC
- Pin 13:NC
- Pin 14: n.c.

Title		
DISPLAY		
Size	Number	Revision
A3	EM-1067	
Date:	17-Mar-2004	Sheet of
File:	C:\WORK\EM1067-7.SCH	Drawn By:

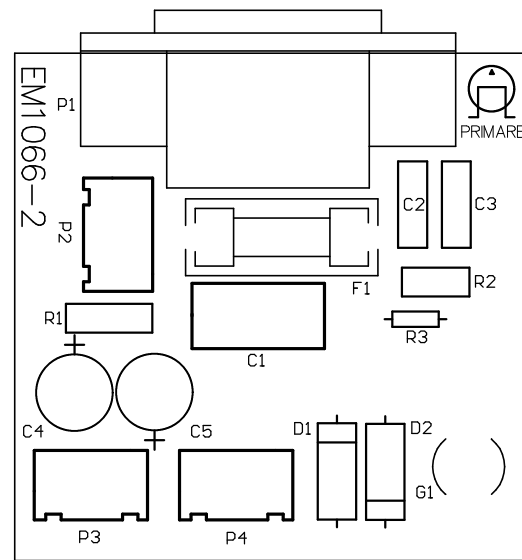


EM1067-7





Title		MAIN	
Size	Number	Revision	
A4	EM1066-1		
Date:	19-Feb-2001	Sheet of	1/1
File:	E:\PRIMARE\A20\SCH\EM1066-1.SCH	Drawn By:	BN



TECHNICAL SPECIFICATIONS

Sensitivity RCA	300mV
Output power	2x70 W/8 ohm 2x110 W/4 ohm
Peak current	+/- 20A
Output impedance	0.08 ohm
Frequency response	<10HZ-100KHZ, -3db
Signal to noise A-weighted	98 dB
THD+noise	0.08%
Standby	<15 W
DIMENSIONS (WXDXH)	430X275X95 MM
Weight	12Kg