



PRIMARE

NP30

Service Manual

1. Schematics and Pcb.
2. Technical specification.

Confidential !

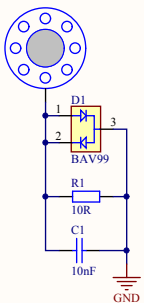
This document is not allowed to show for third part without written permission from Primare Systems AB.

This document is subject to change without notice.

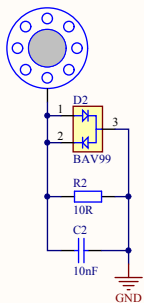
Author:

Primare AB

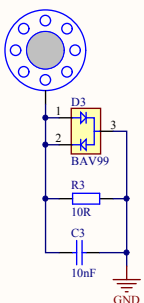
3.3mm mounting hole in PCB
XM5



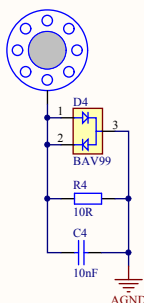
3.3mm mounting hole in PCB
XM6



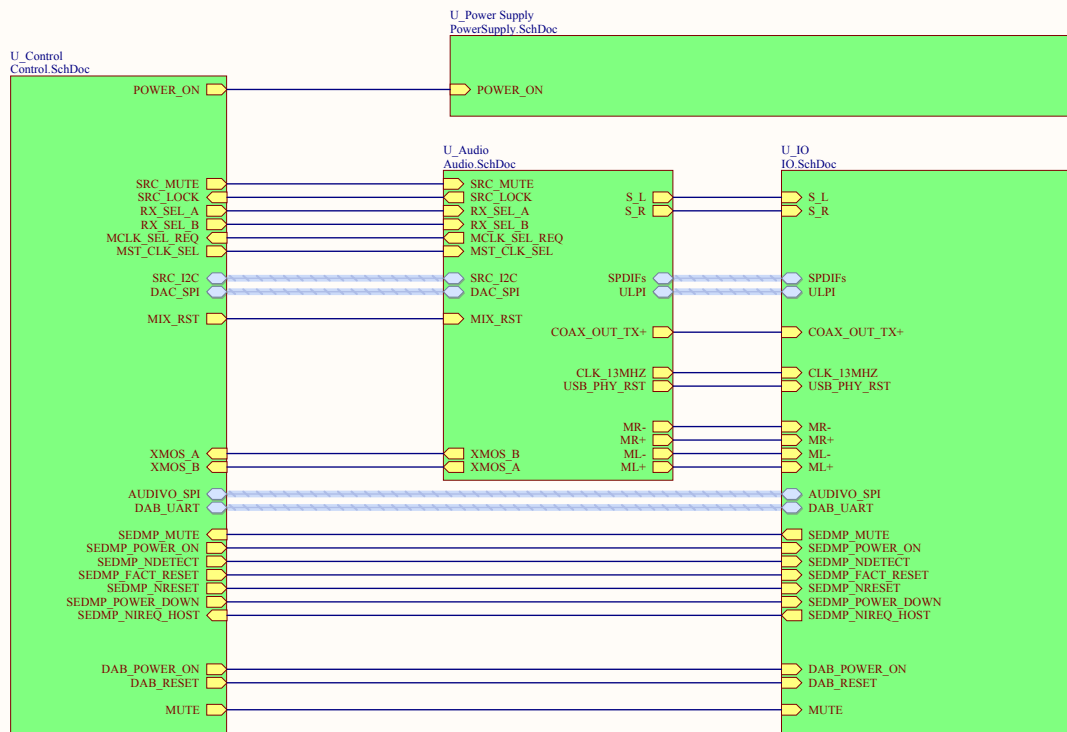
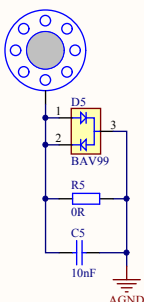
3.3mm mounting hole in PCB
XM7



3.3mm mounting hole in PCB
XM8

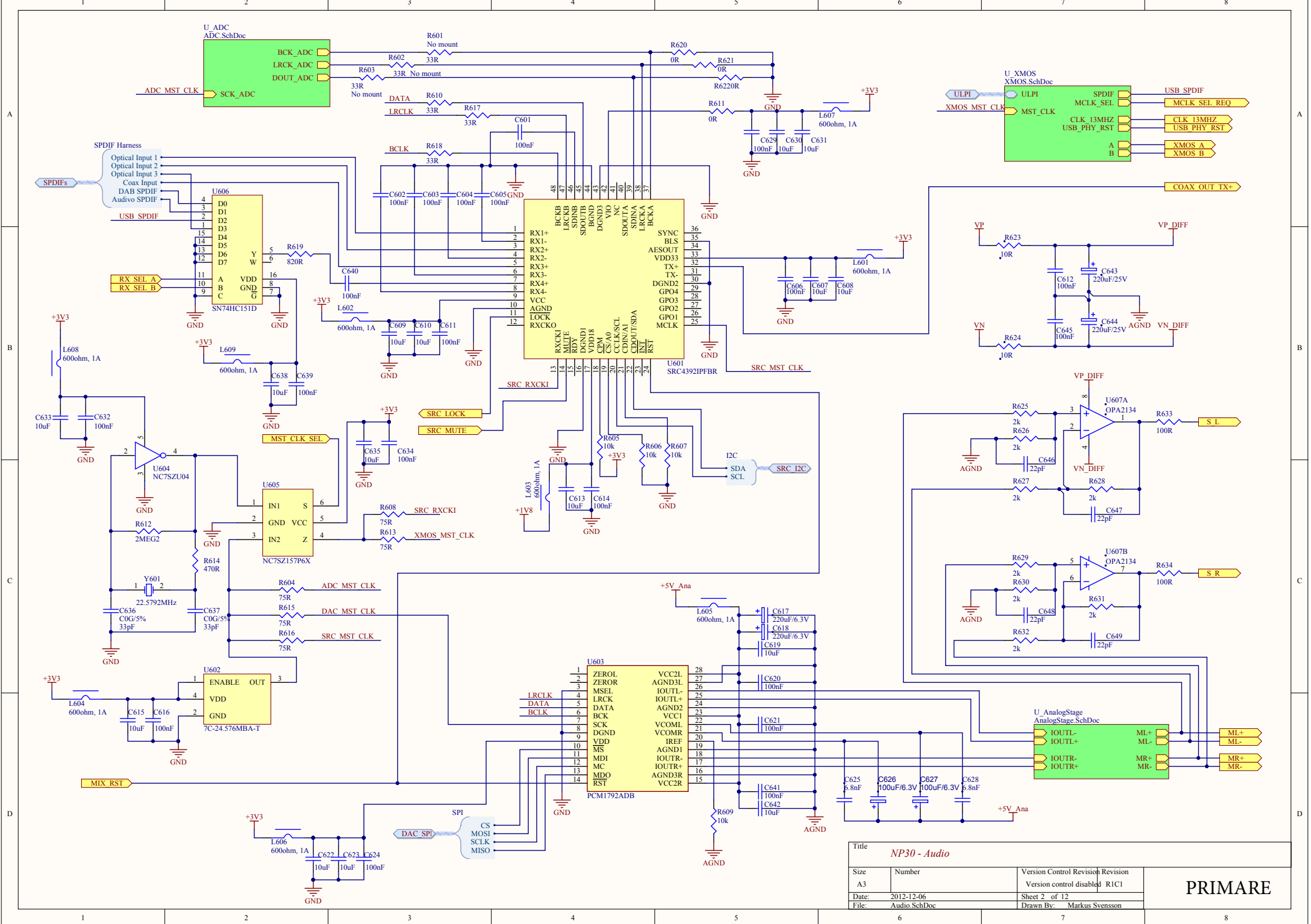


3.3mm mounting hole in PCB
XM9



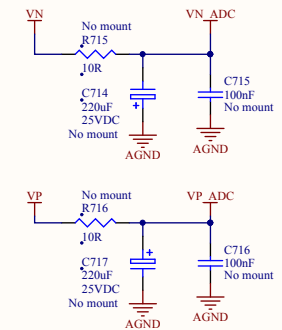
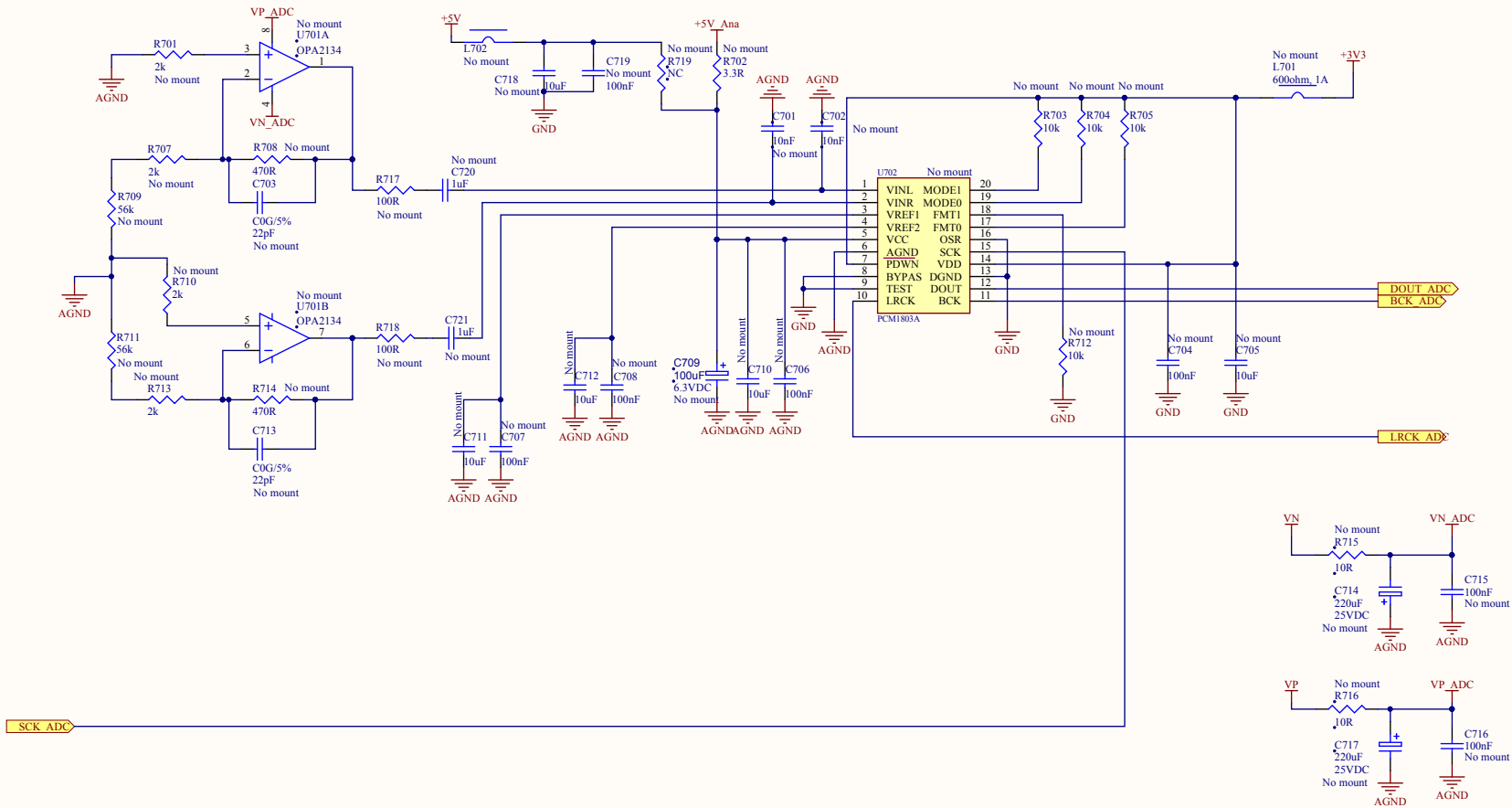
Title				NP30 - Main	
Size	Number	Version Control	Revision	Revision	
A3		Version control disabled		RIC1	
Date:	2012-12-06	Sheet 1 of 12			
File:	NP30 Main.SchDoc	Drawn By:	Markus Svensson		

PRIMARE



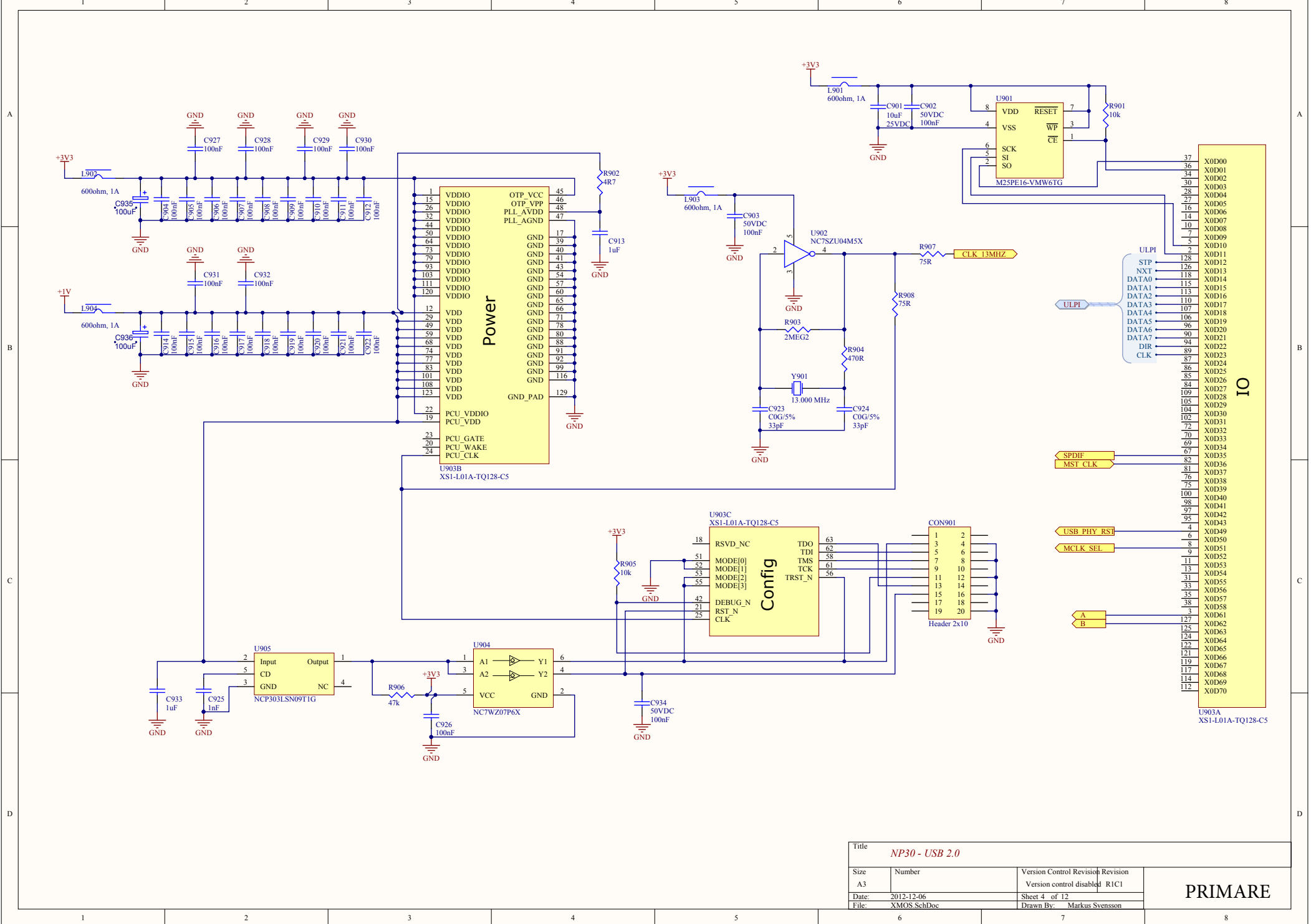
Title			
NP30 - Audio			
Size	Number	Version Control	Revision
A3		Version control disabled	RIC1
Date:	2012-12-06	Sheet	2 of 12
File:	Audio_SchDoc	Drawn By:	Markus Svensson

PRIMARE



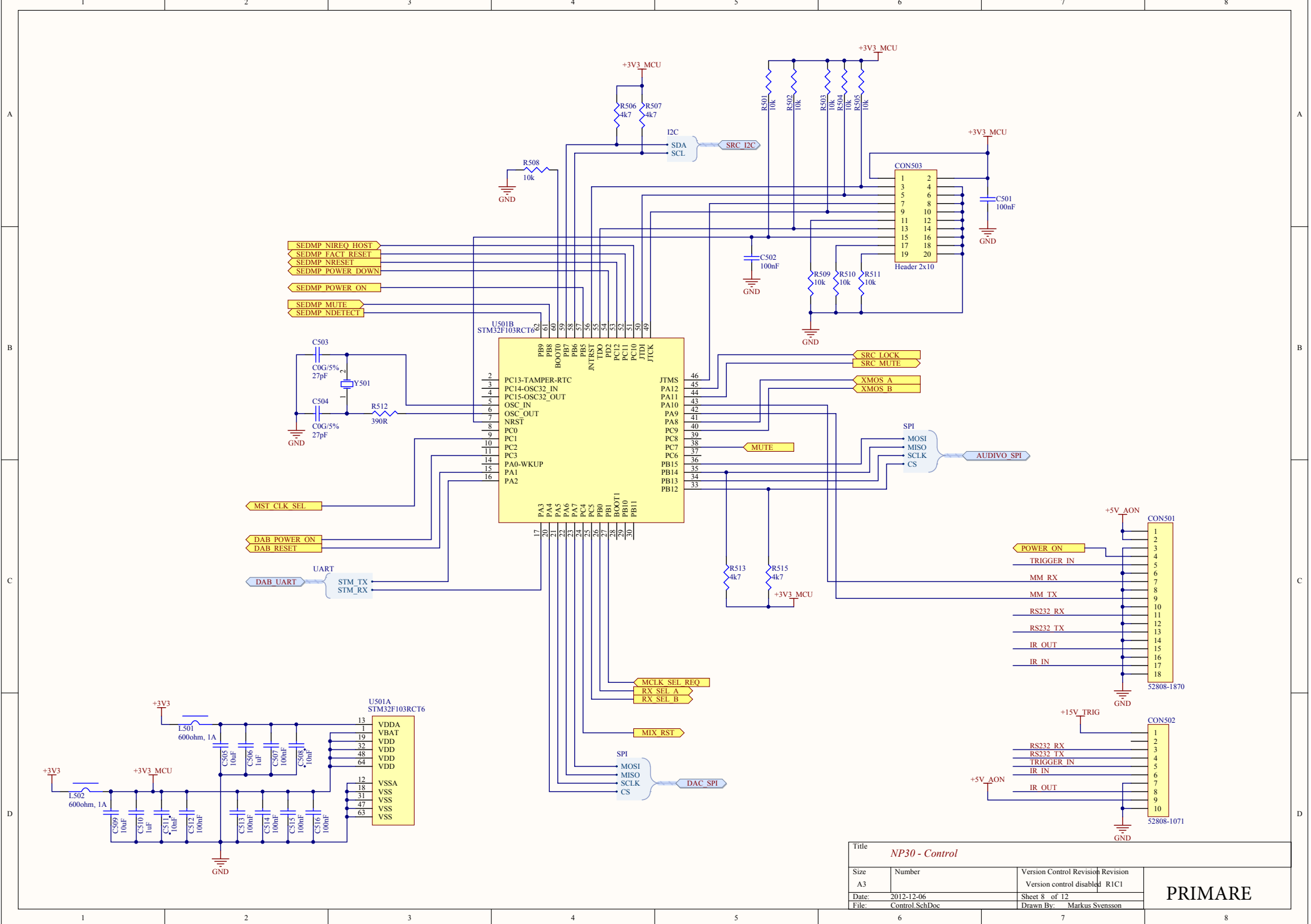
Title				NP30 - ADC	
Size	Number	Version Control	Revision	Revision	
A3		Version control disabled		RIC1	
Date:	2012-12-06		Sheet 3 of 12		
File:	ADC.SchDoc	Drawn By:	Markus Svensson		

PRIMARE



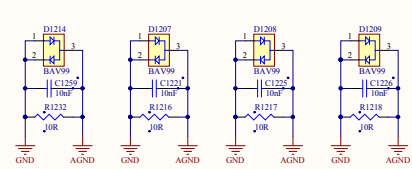
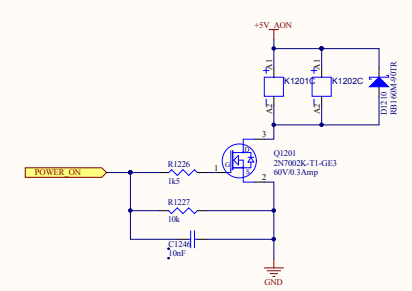
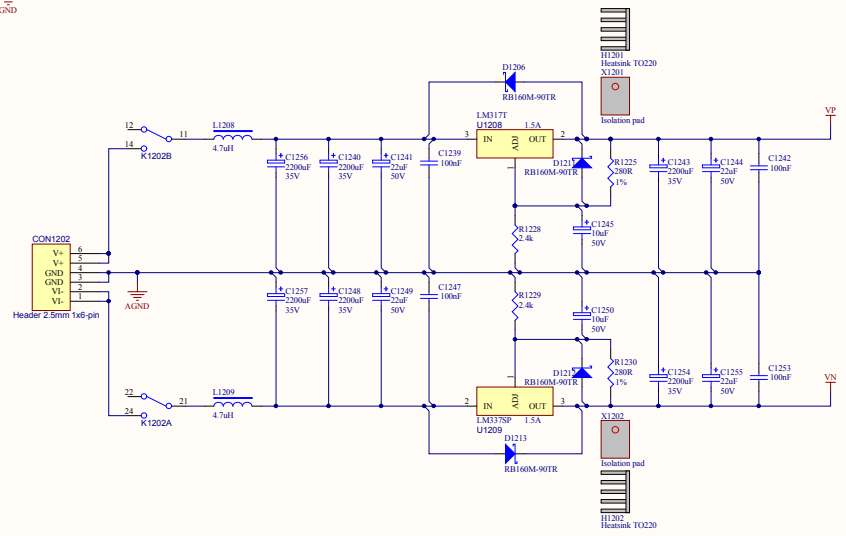
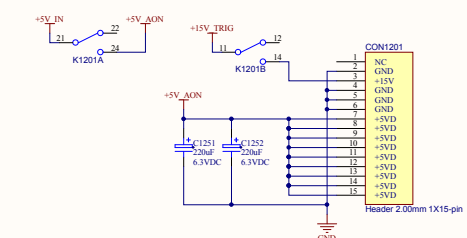
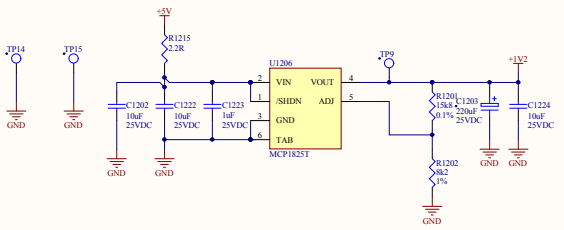
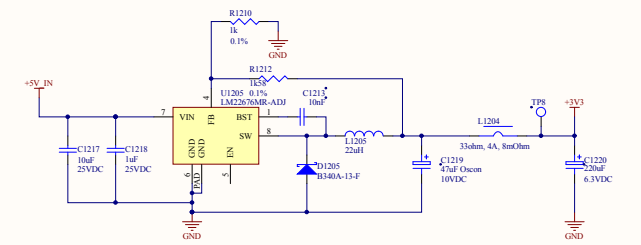
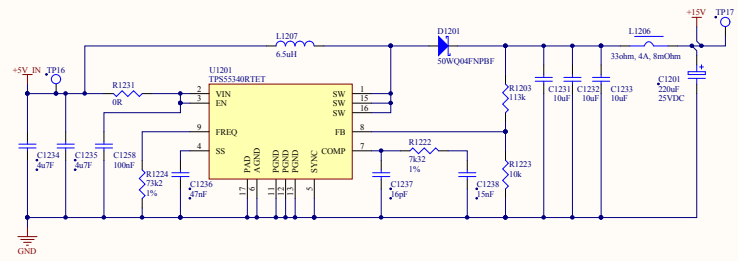
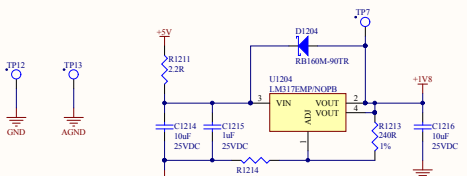
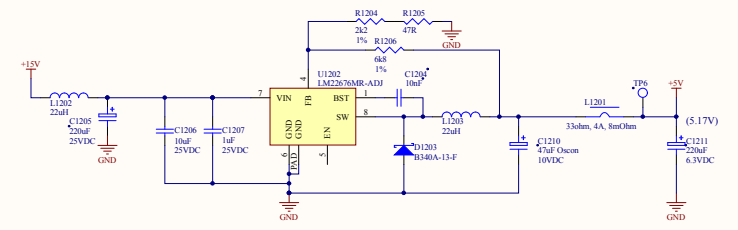
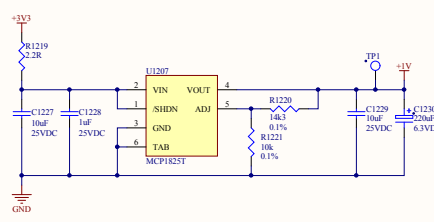
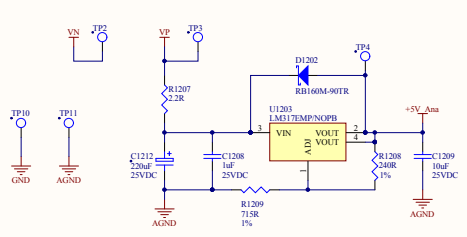
Title			
NP30 - USB 2.0			
Size	Number	Version Control	Revision
A3		Version control disabled	RIC1
Date:	2012-12-06	Sheet 4 of 12	
File:	XMOS.SchDoc	Drawn By:	Markus Svensson

PRIMARE



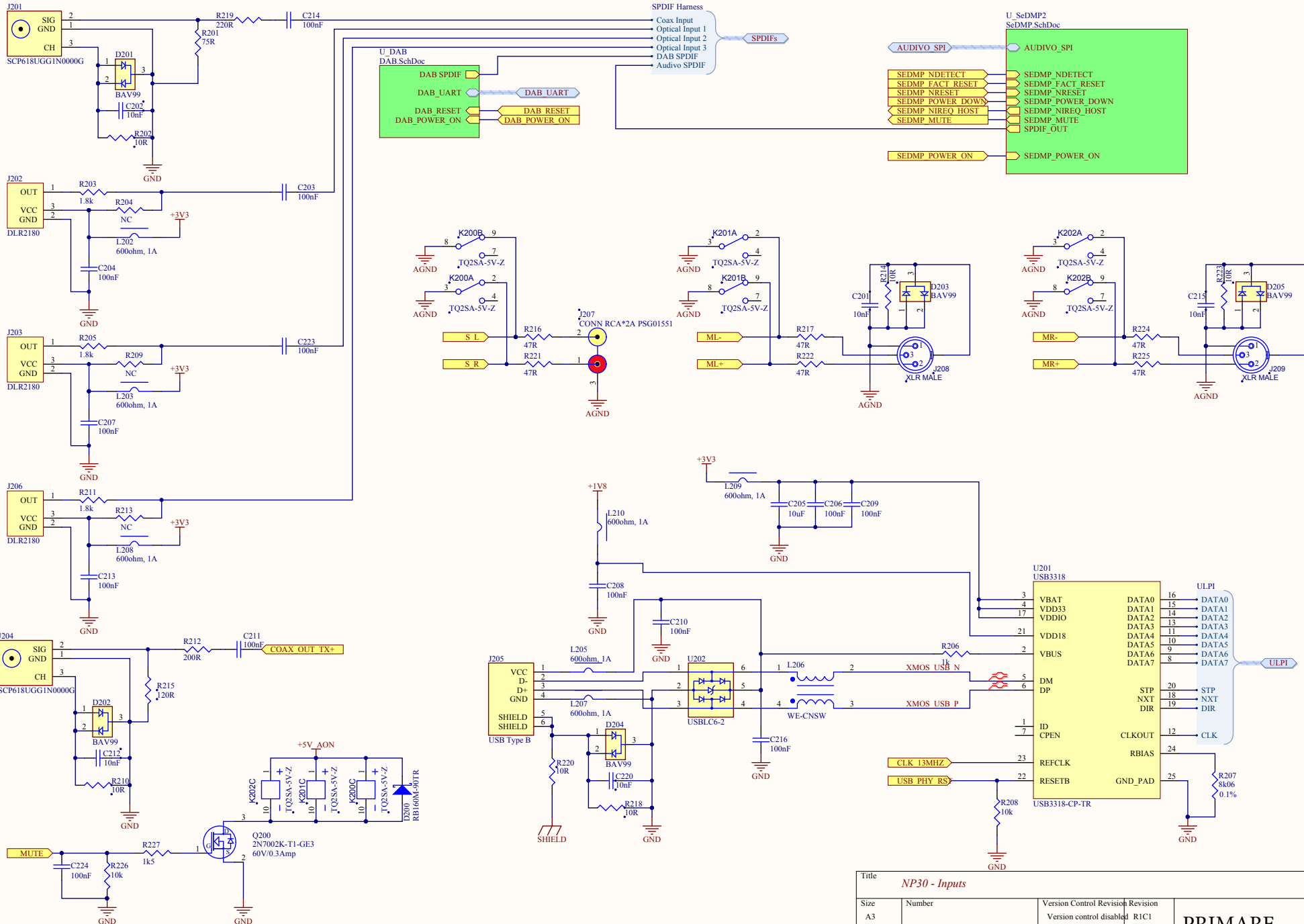
Title			
NP30 - Control			
Size	Number	Version Control	Revision
A3		Version control disabled	RIC1
Date:	2012-12-06	Sheet 8 of 12	
File:	Control.SchDoc	Drawn By:	Markus Svensson

PRIMARE



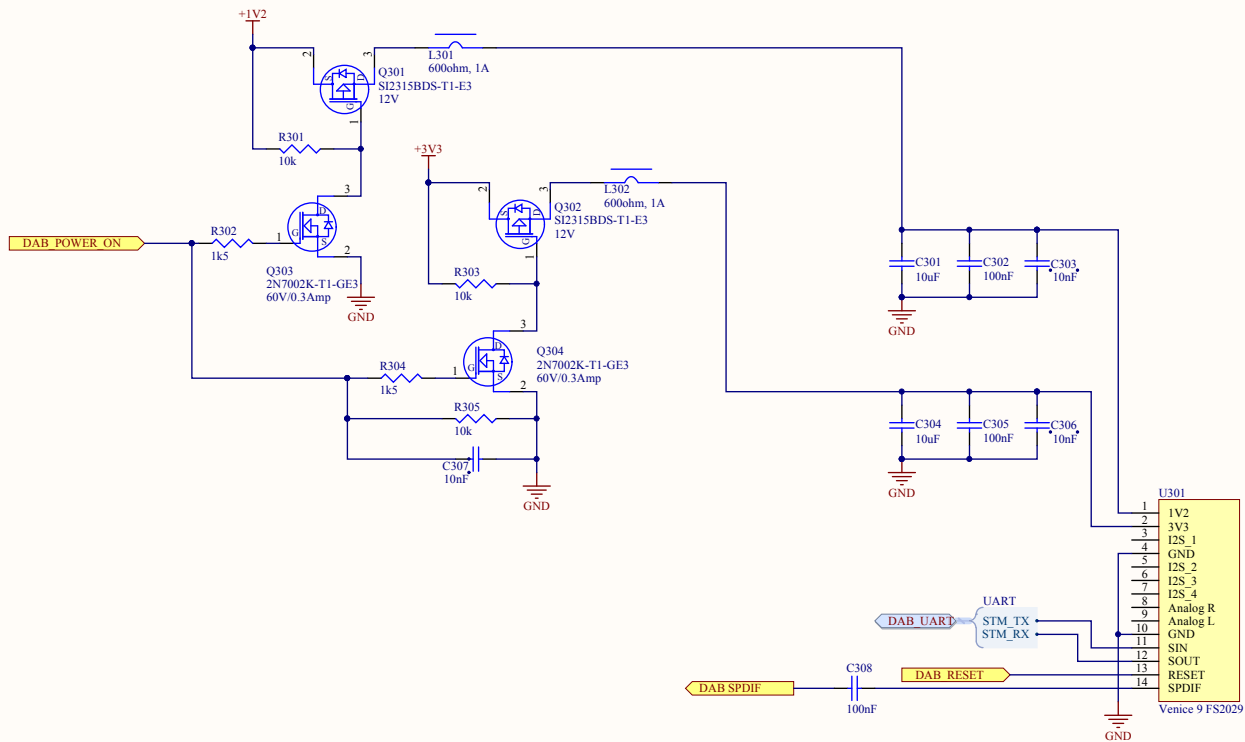
Title			
Size	Number	Version Control	Revision
A2		Version control disabled	R1C1
Date:	2012-12-06	Sheet # of #	12
File:	PowerSupply_SchDoc	Drawn By:	Markus Svensson

PRIMARE



Title				NP30 - Inputs			
Size	Number	Version Control	Revision	Revision	Revision		
A3		Version control disabled			RIC1		
Date:	2012-12-06	Sheet 10 of 12					
File:	IO_SchDoc	Drawn By:	Markus Svensson				

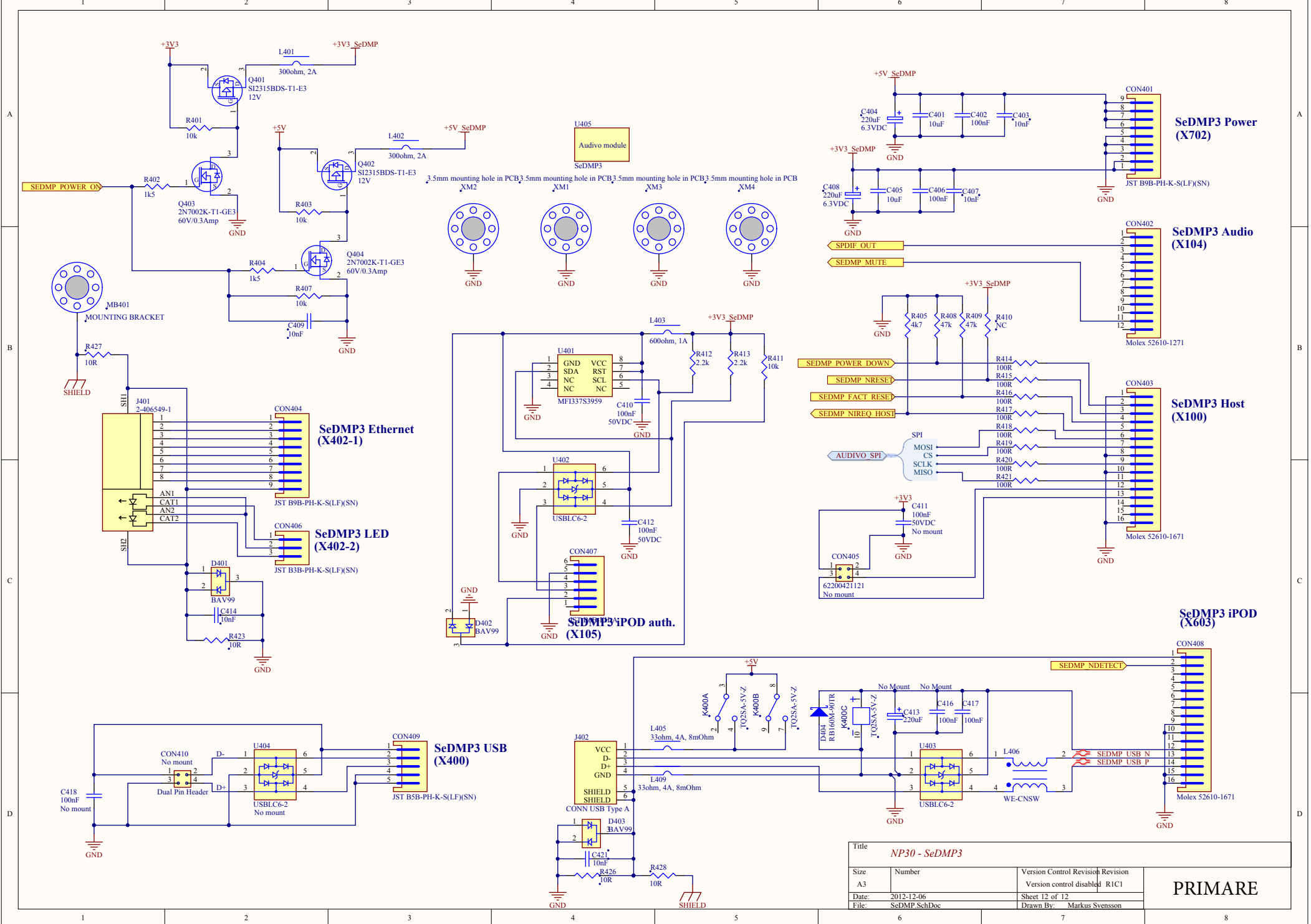
PRIMARE



- | | | | |
|---|---|---|--|
| <p>XM301
Spacer M2.5 10 mm
No Mount
XM304
Torx Screw M2.5, 6 mm
No Mount
XM307
Torx Screw M2.5, 6 mm
No Mount</p> | <p>XM302
Spacer M2.5 10 mm
No Mount
XM305
Torx Screw M2.5, 6 mm
No Mount
XM308
Torx Screw M2.5, 6 mm
No Mount</p> | <p>XM303
Spacer M2.5 10 mm
No Mount
XM306
Torx Screw M2.5, 6 mm
No Mount
XM309
Torx Screw M2.5, 6 mm
No Mount</p> | <p>XM310
Socket, H.7mm, P.2.54mm</p> |
|---|---|---|--|

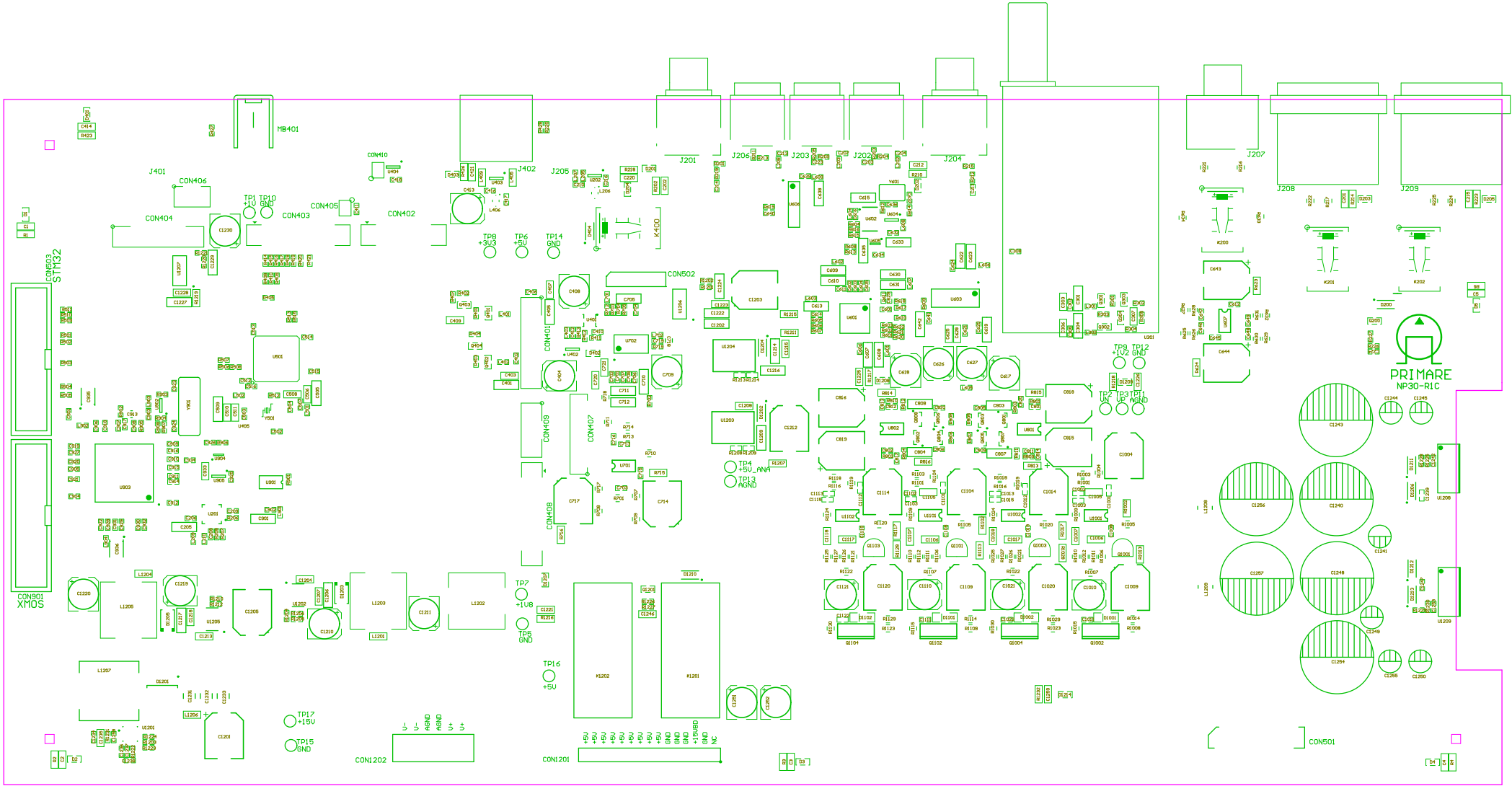
Title			
NP30 - DAB			
Size	Number	Version Control	Revision
A3		Version control disabled	RIC1
Date:	2012-12-06	Sheet 11 of 12	
File:	DAB.SchDoc	Drawn By:	Markus Svensson

PRIMARE

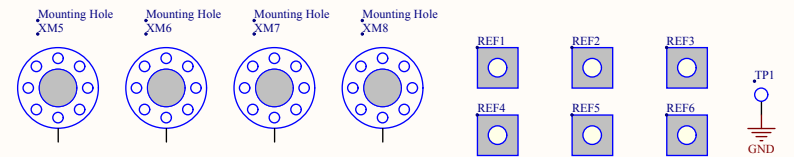
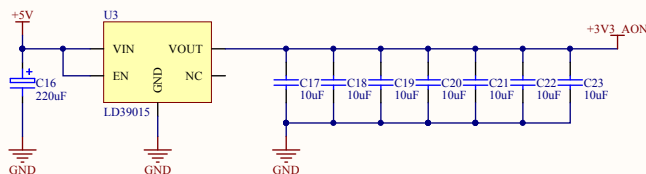
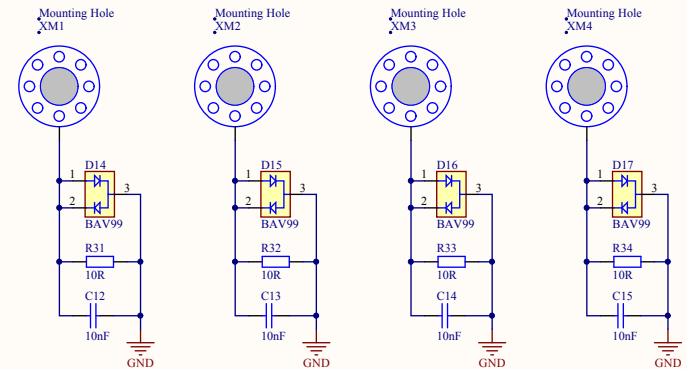
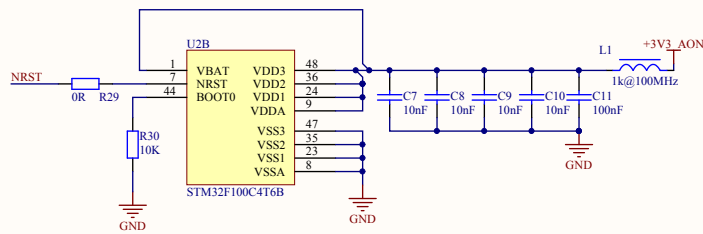
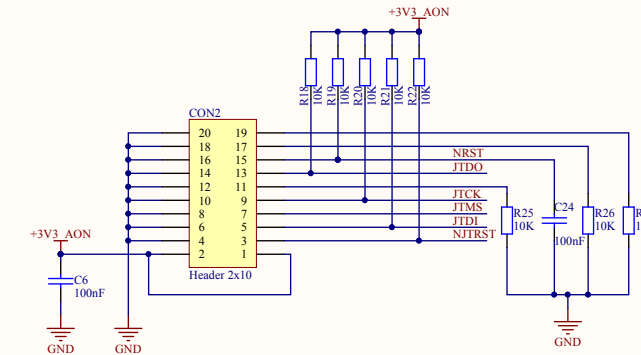
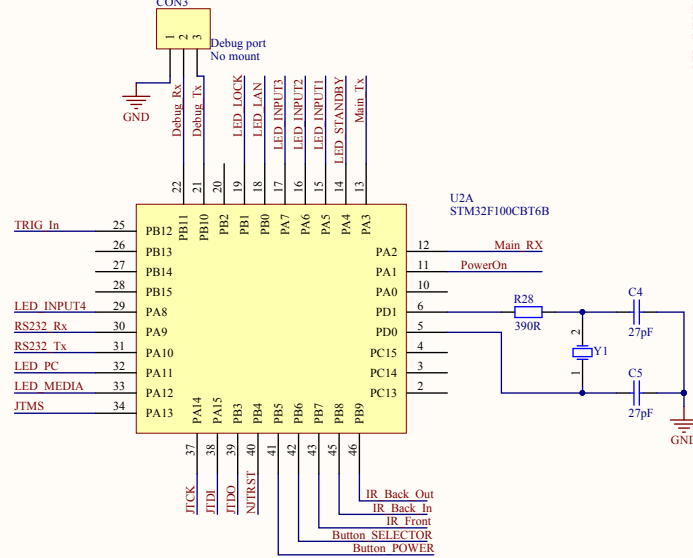
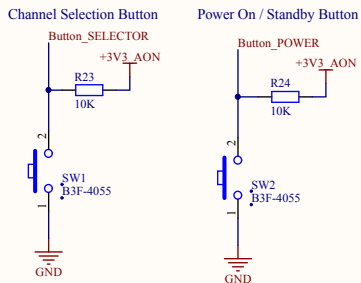
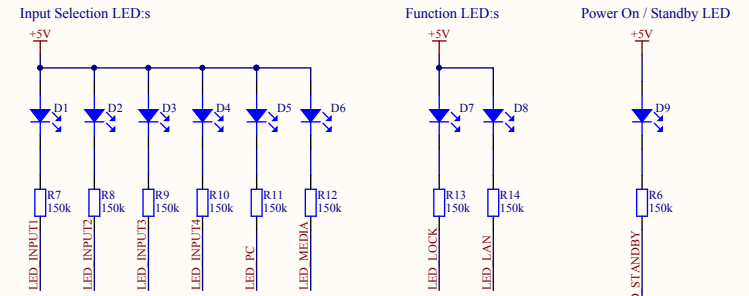
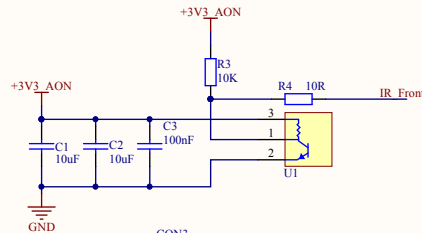
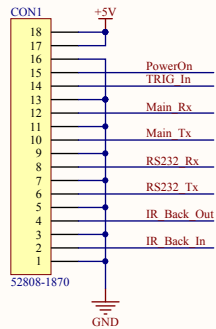


Title				NP30 - SeDMP3			
Size	Number	Version Control	Revision	Revision	Version control disabled		
A3					RIC1		
Date:	2012-12-06	Sheet 12 of 12					
File:	SeDMP3 SchDoc	Drawn By:	Markus Svensson				

PRIMARE



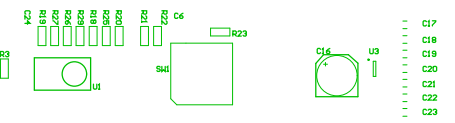
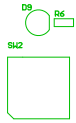
PRIMARE
NP30-RLC



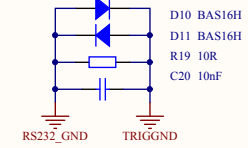
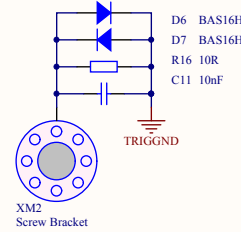
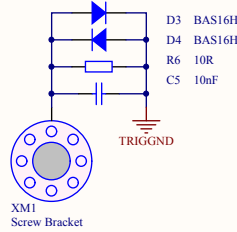
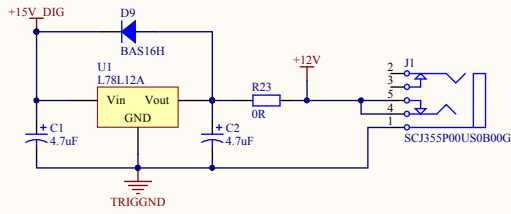
Title: NP30-Front Panel

Size: A3	Number:	Version Control: Revision 1	Revision: R1B1
Date: 2012-11-19	Sheet 1 of 1	Version control disabled	
File: NP30-FP.SchDoc	Drawn By: Carl-David Ekblom		

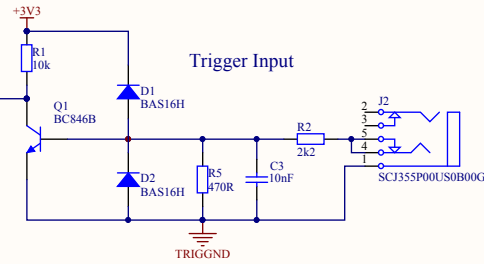




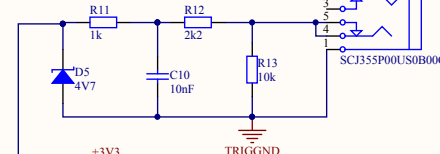
Trigger output



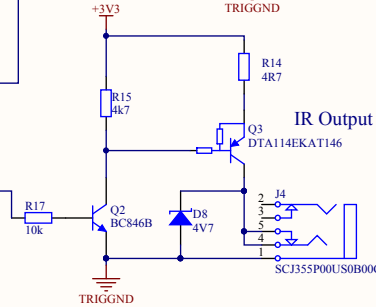
Trigger Input



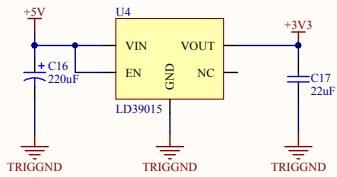
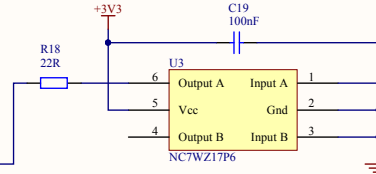
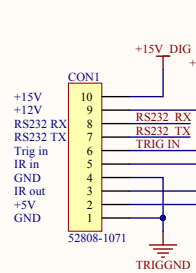
IR Input



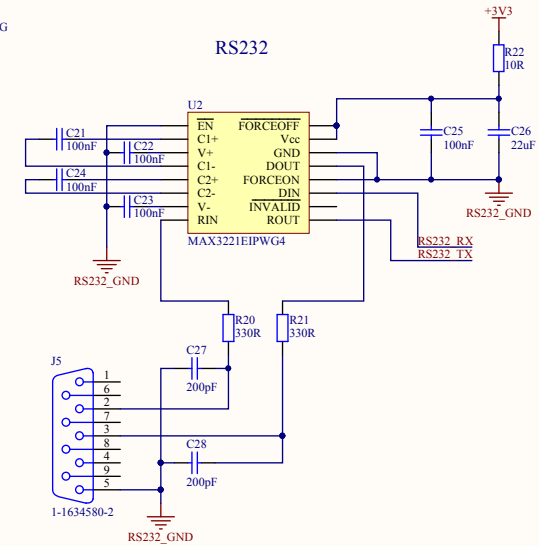
IR Output



Front Panel Connector



RS232



Title
NP30-Trigger

Size A3	Number	Version Control	Revision	Revision
Date: 2012-11-19		Version control disabled		R1B1
File: NP30-TRIG_SchDoc		Sheet 1 of 1		
		Drawn By: Carl-David Ekblom		

NP30 : Features

- DAC PCM1792
- Fully balanced analogue output stage
- Outputs: 1 pair XLR and 1 pair RCA (both 2.2V)
- Inputs: 1x asynchronous USB-B, 3x Optical, 1x Coax S/PDIF 1xUSB A
- An audiophile relay controlled MUTE circuit

- Signal to Noise 110dB
- Input selection, ON/OFF can be operated by remote C23 or C33.

- Dimensions 430 x 370 x 95mm