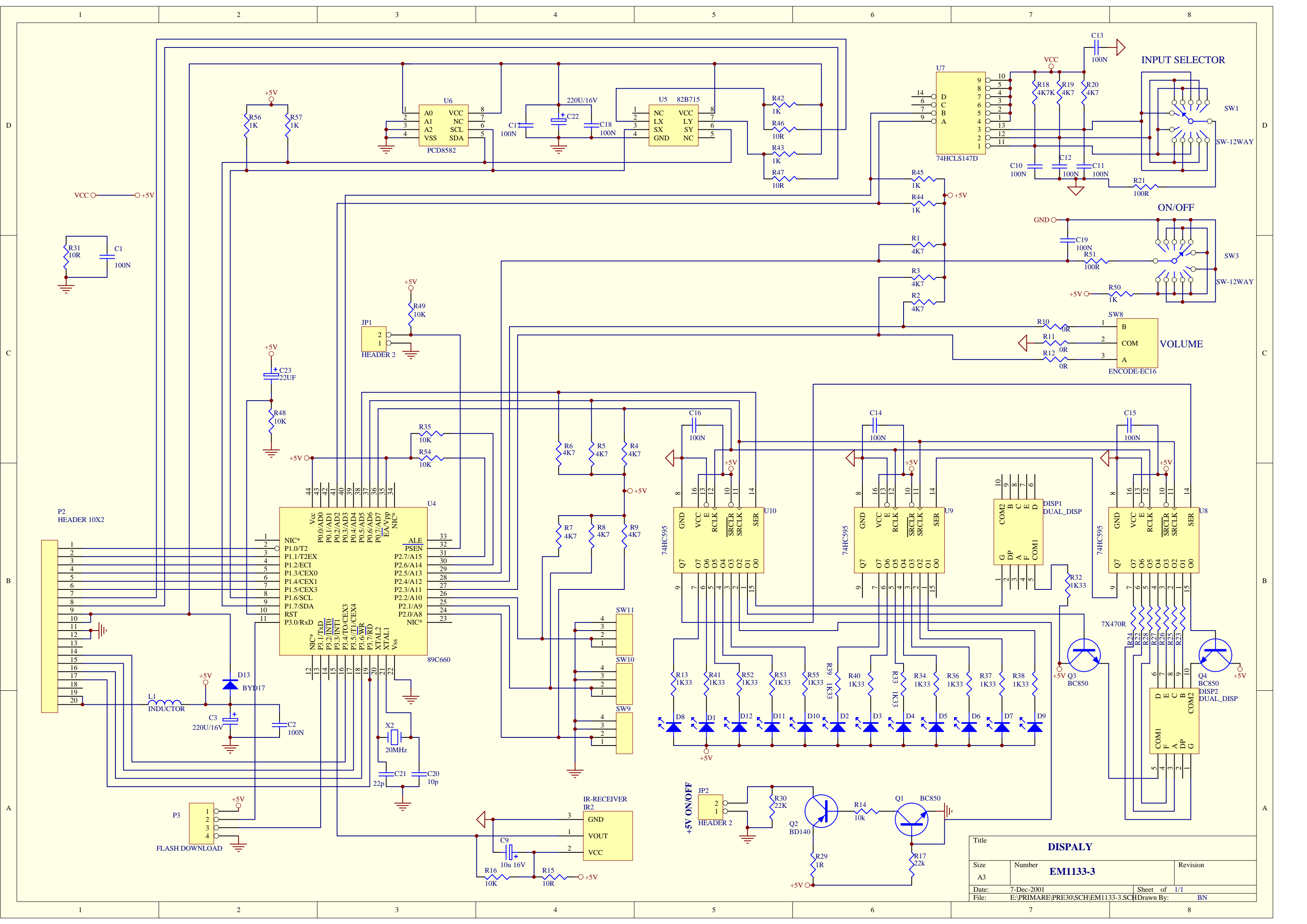


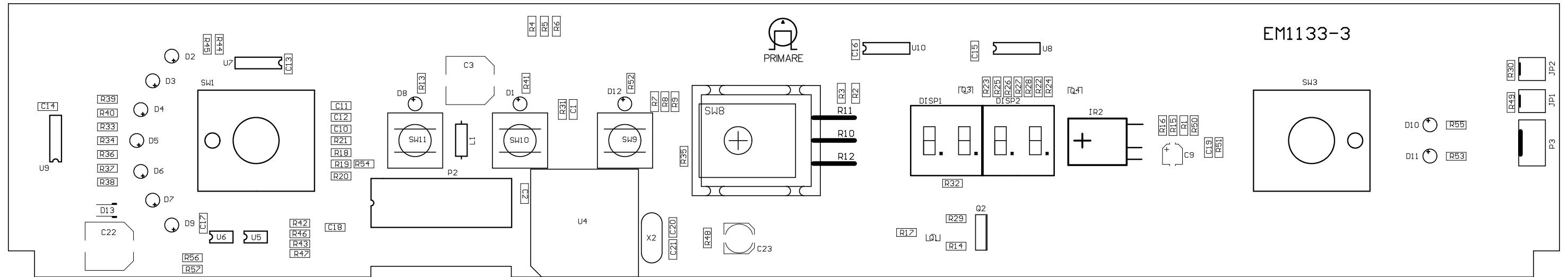
PRE30 PRE-AMPLIFIER SERVICE MANUAL

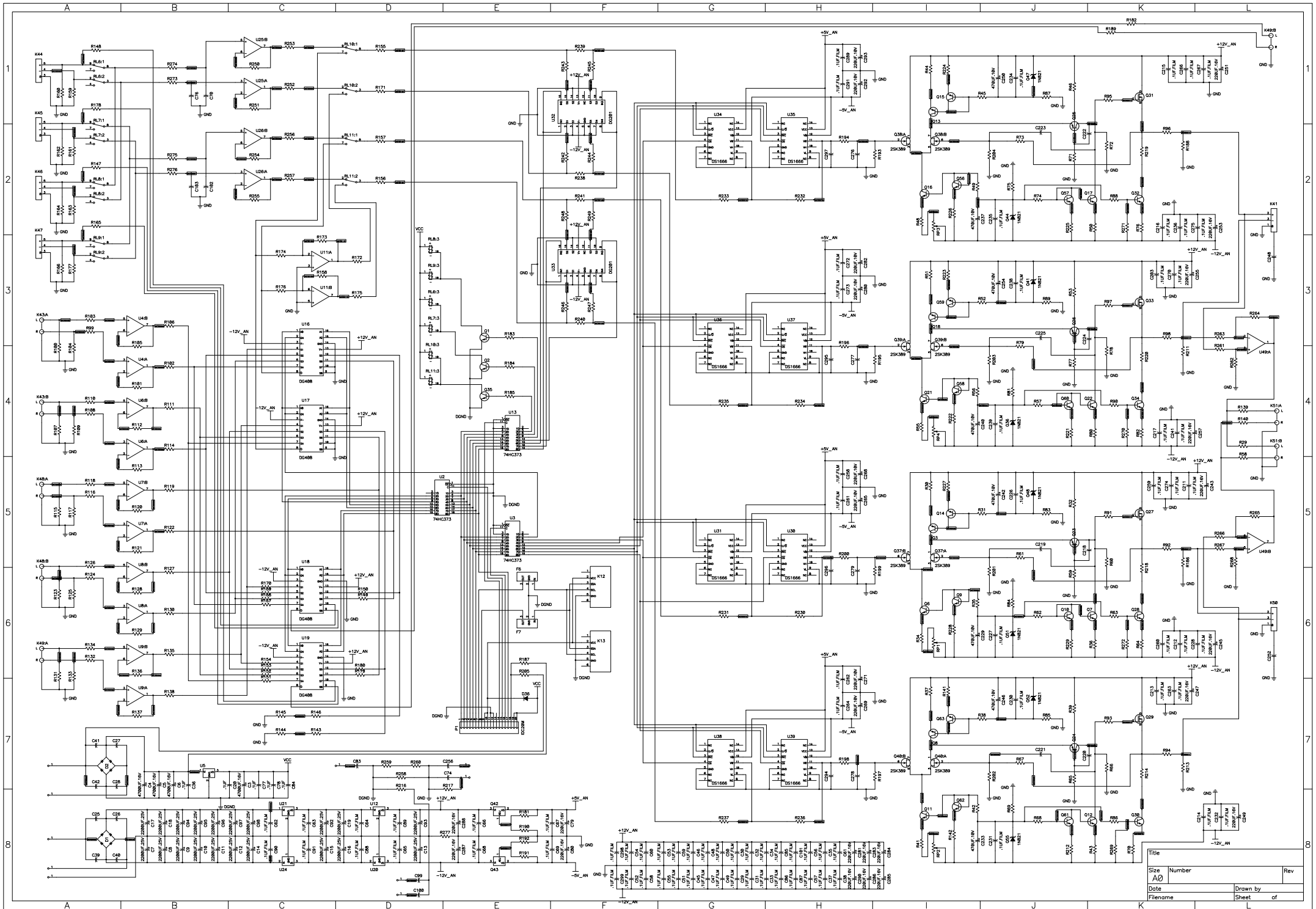
CONTENTS

1. CIRCUIT DIAGRAMS
2. TECHNICAL SPECIFICATIONS

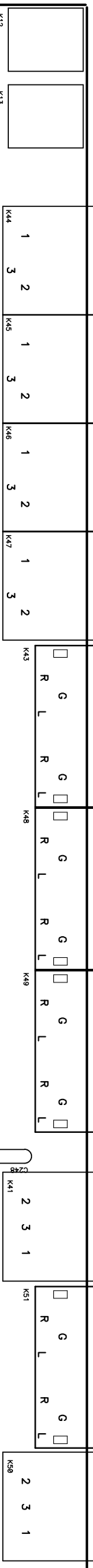


Title			DISPALY		
Size	Number	Revision			
A3	EM1133-3				
Date:	7-Dec-2001	Sheet of		1/1	
File:	E:\PRIMARE\PRE30\SCH\EM1133-3.SCH		Drawn By: BN		

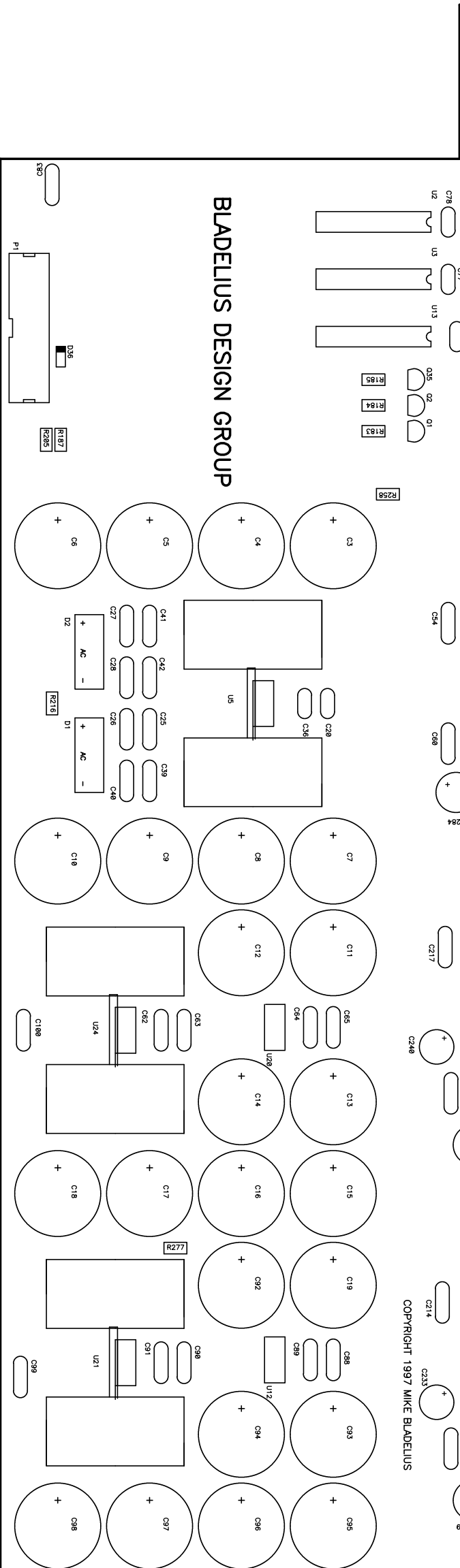




Size	Number	Rev
A0		
Date		Drawn by
Filename		Sheet of



COPYRIGHT 1999 MIKE BLADELIUS



TECHNICAL SPECIFICATIONS

Analogue inputs	2 x XLR 5 x RCA
Analogue outputs	1 x XLR 2 x RCA
Analogue record output	1 x RCA
Sensitivity RCA	280mV
XLR	560 mV
Sensitivity adjustment	+20dB
Frequency response	DC-100KHZ, -0.1db
Tape output	280mV
Gain	16dB
Signal to noise A-weighted	-118 dB
THD+noise	<0.01%
DIMENSIONS (WXDXH)	430X385X100 MM
Weight	9.5Kg

