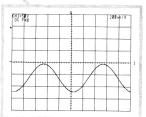
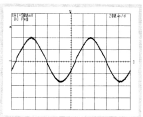
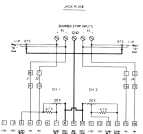
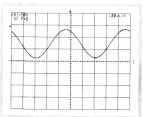


NOTES

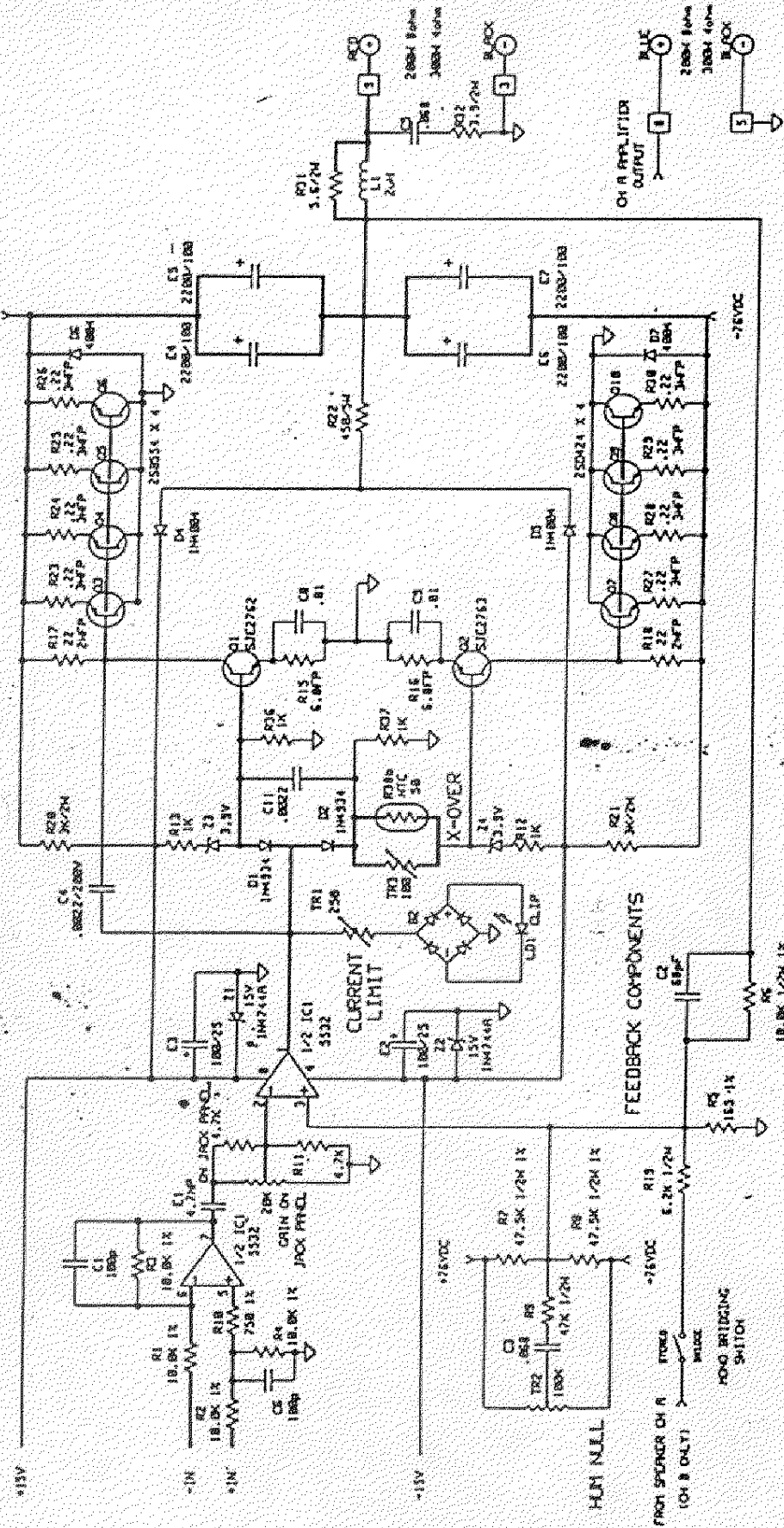
1. BOTH CHANNELS SHAVE EXACTLY THE SAME DESIGN.
2. ALL COMPONENTS TO BE USED AS SHOWN.
3. ALL WIRING IS TO BE DONE UNDER TENSION.
4. USE OSC RECOMMENDED COMPONENTS ONLY.
5. TEST AND ADJUST EACH CHANNEL SEPARATELY.
6. FOR PCB AND TEST FILE, SEE CUSTOMER FILE FOR ALL THE COMPANY INFO.
7. REPLACE BATTERY REGULATOR AS SHOWN.
8. WITH BATTERY REGULATOR ON, CHECKED WITH A METER.
9. ALL CONNECTIONS SHOULD BE MADE ON THE CONNECTION AND MINIMUM OF 1.0 AWG.
10. SIGNAL TO BE TESTED UNDER 12V TO BATTERY.
11. ALL 0.1" PITCHES TO BE MAINTAINED.
12. ALL 0.1" PITCHES TO BE MAINTAINED.
13. ALL 0.1" PITCHES TO BE MAINTAINED.

REV	DATE	BY	CHK
1			
2			
3			
4			
5			
6			
7			
8			
9			
10			



OSC STEREO AMPLIFIER MODEL 1400

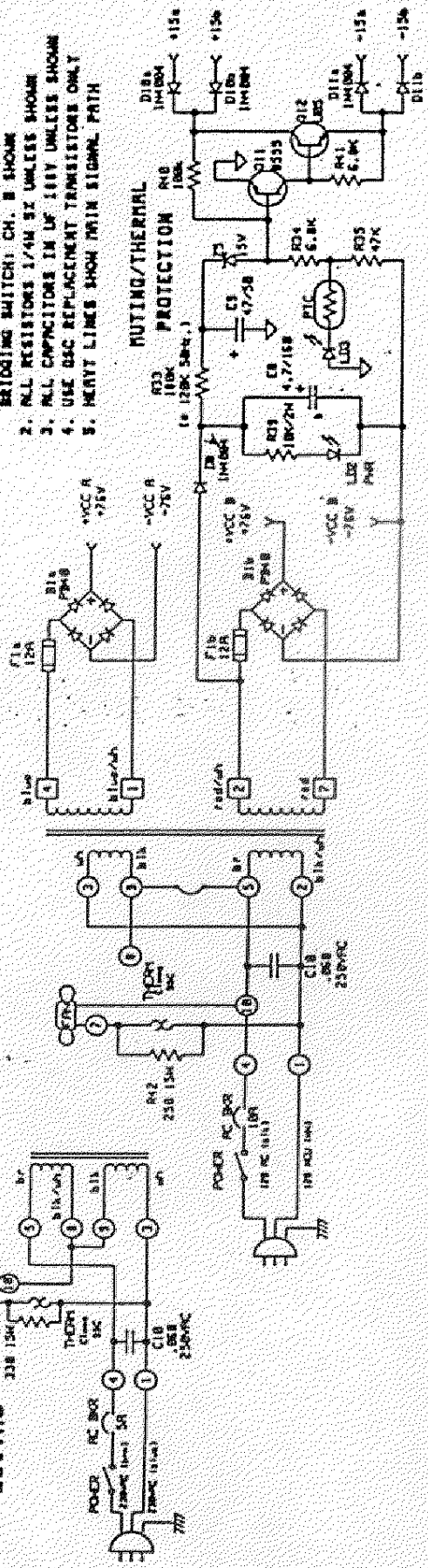
SH-140301-CX



NOTES

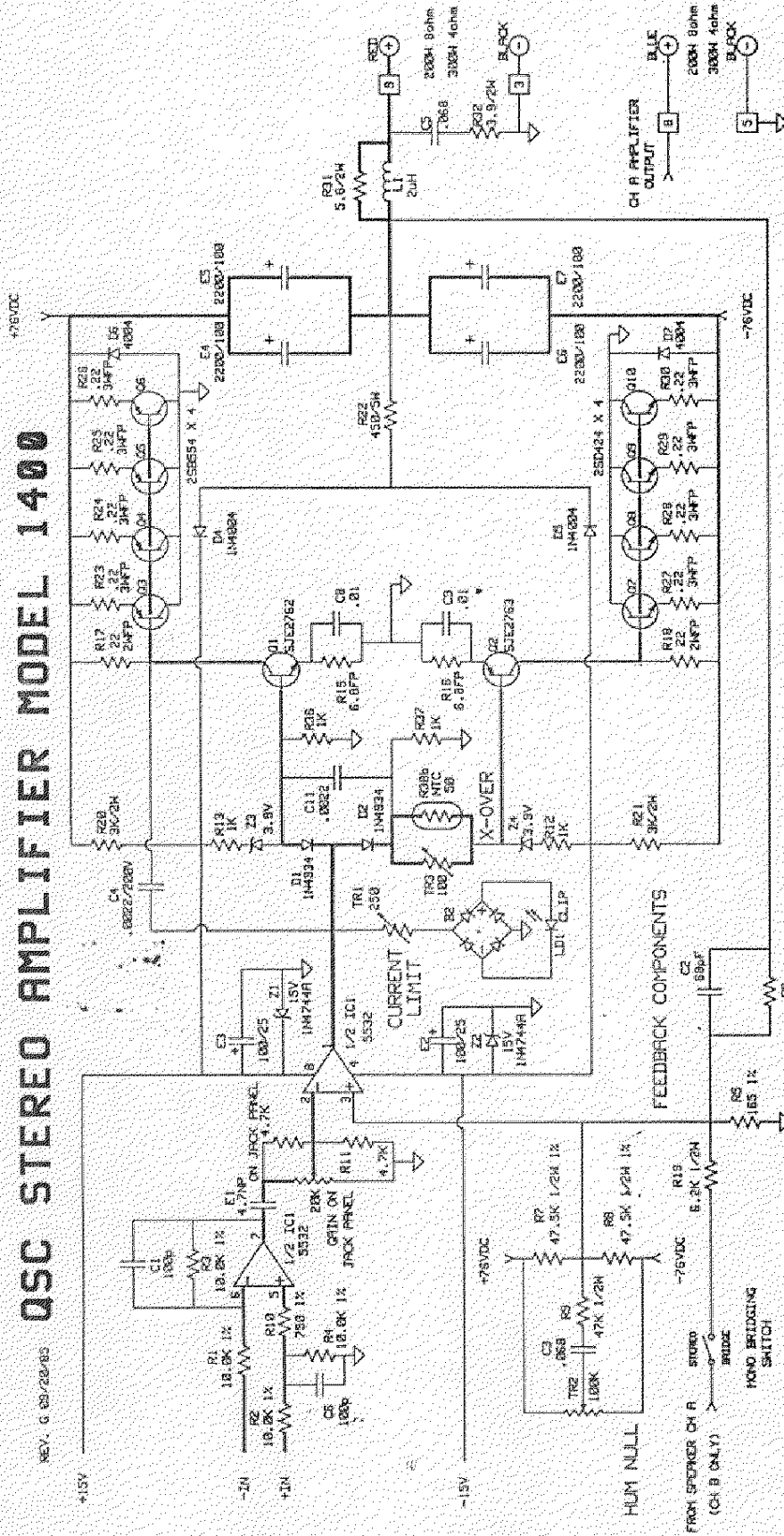
1. BOTH CHANNELS SAME EXCEPT FOR BRIDGING SWITCH; CH. B SHOWN
2. ALL RESISTORS 1/4W 5% UNLESS SHOWN
3. ALL CAPACITORS IN UF UNLESS SHOWN
4. USE OSC REPLACEMENT TRANSISTORS ONLY
5. HEAVY LINES SHOW MAIN SIGNAL PATH

EXPORT WIRING 230VAC



OSC STEREO AMPLIFIER MODEL 1400

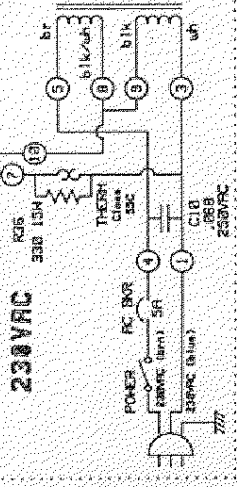
REV. 6 83/22/85



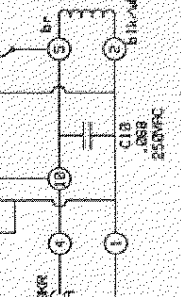
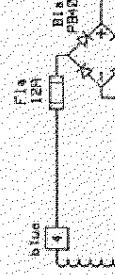
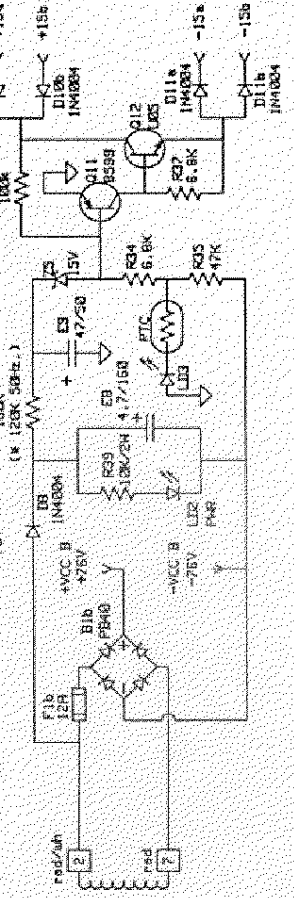
NOTES

1. BOTH CHANNELS SAME EXCEPT FOR BRIDGING SWITCH: CH. B SHOWN
2. ALL RESISTORS 1/4W 5% UNLESS SHOWN
3. ALL CAPACITORS 1N OF 100V UNLESS SHOWN
4. USE OSC REPLACEMENT TRANSISTORS ONLY
5. HEAVY LINES SHOW MAIN SIGNAL PATH

EXPORT WIRING 230VAC



MUTING/THERMAL PROTECTION



OSC STEREO AMPLIFIER MODEL 1400

6/10/83

NOTES

1. BOTH CH. SAME EXCEPT FOR BRIDGING SW (CH 2 SHOWN).
2. ALL RESISTORS $\frac{1}{4}$ " WATTS 5% UNLESS SHOWN.
3. ALL CAPACITORS IN UF. 100V UNLESS SHOWN.
4. HEAVY LINE SHOWS MAIN SIGNAL PATH.
5. USE OSC REPLACEMENT TRANSISTORS ONLY.

