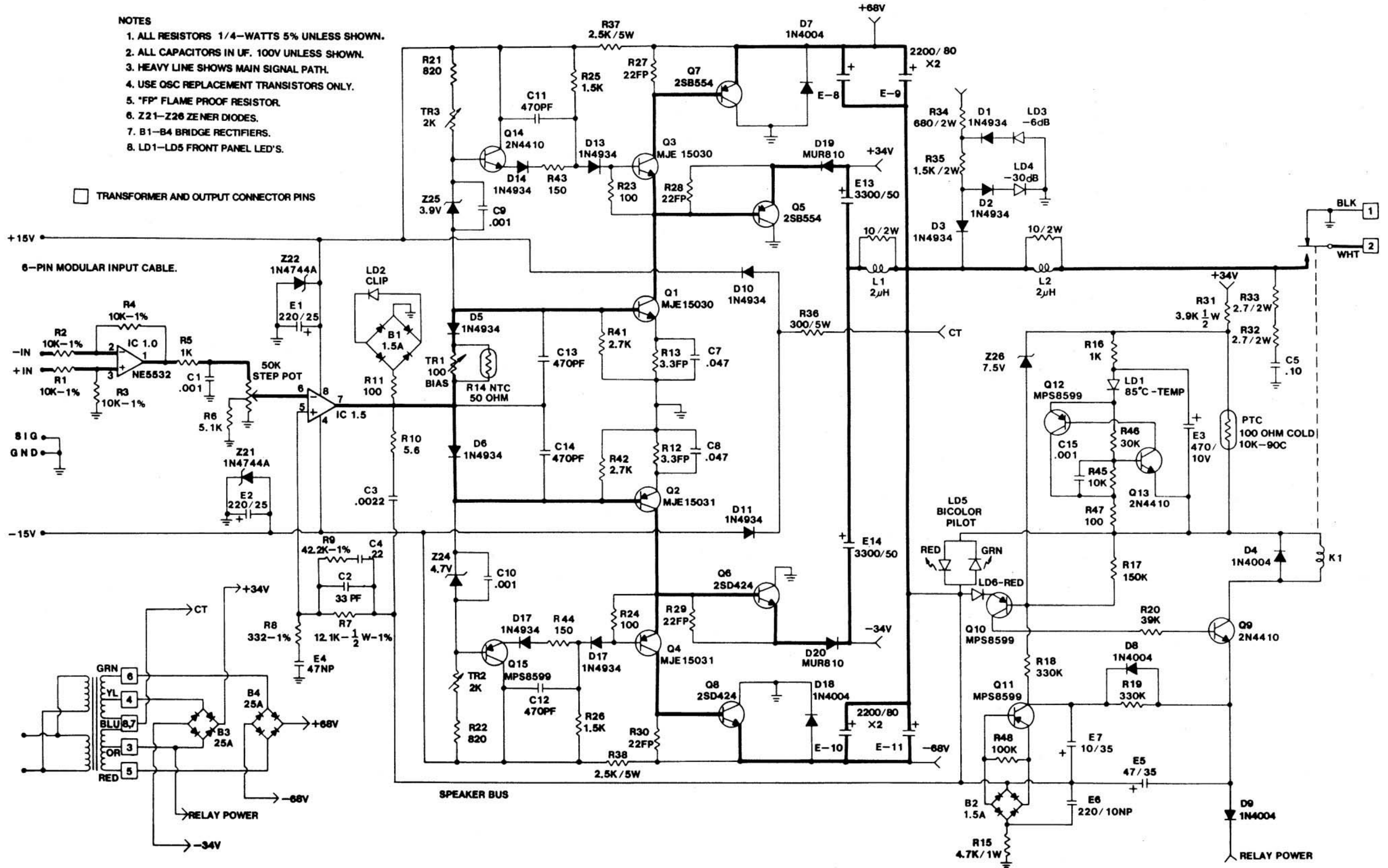


NOTES

1. ALL RESISTORS 1/4-WATTS 5% UNLESS SHOWN.
2. ALL CAPACITORS IN UF. 100V UNLESS SHOWN.
3. HEAVY LINE SHOWS MAIN SIGNAL PATH.
4. USE QSC REPLACEMENT TRANSISTORS ONLY.
5. *FP* FLAME PROOF RESISTOR.
6. Z21-Z26 ZENER DIODES.
7. B1-B4 BRIDGE RECTIFIERS.
8. LD1-LD5 FRONT PANEL LED'S.

□ TRANSFORMER AND OUTPUT CONNECTOR PINS



SH-32000-EM 3200
 SCHEMATIC