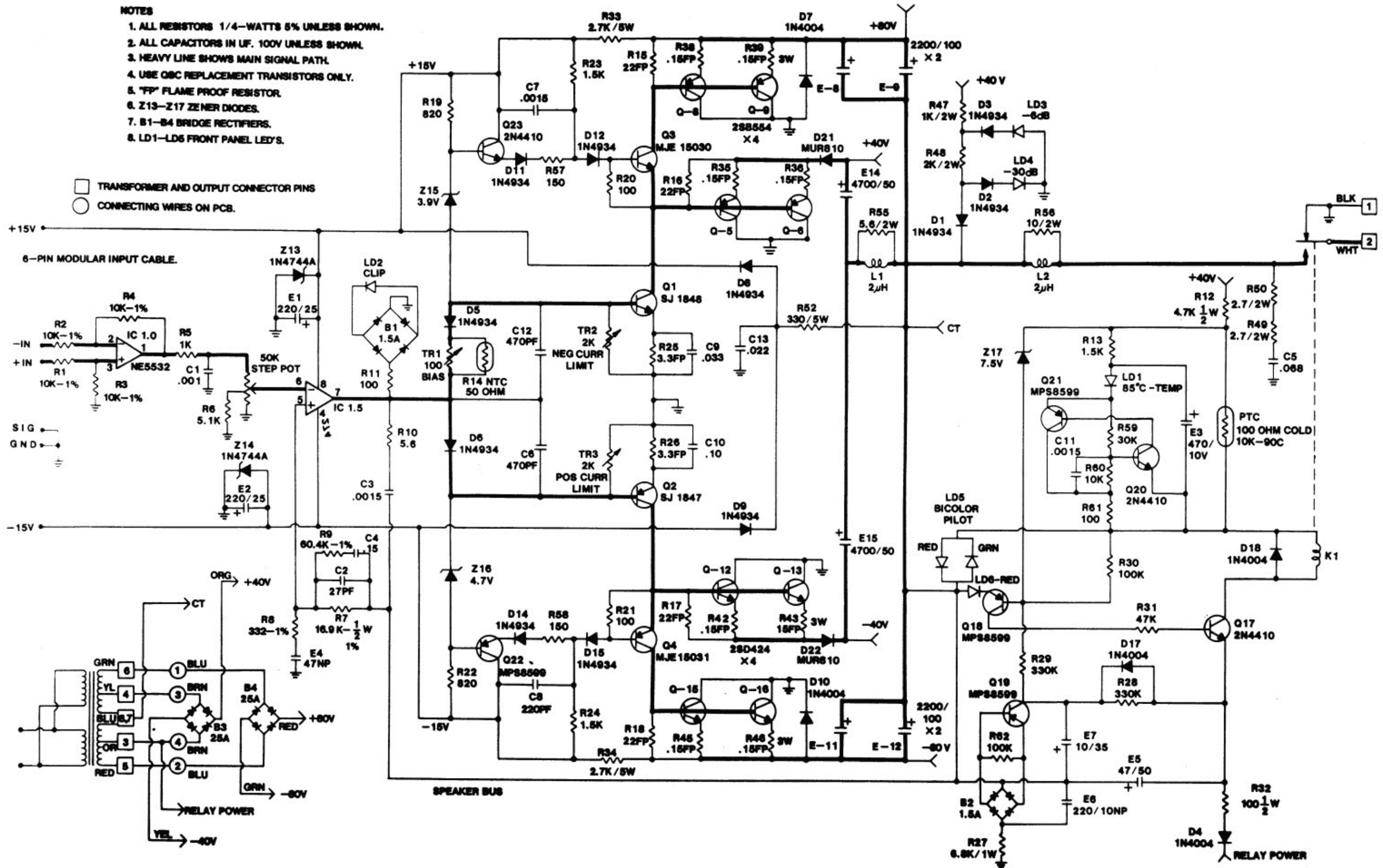


NOTES

- 1. ALL RESISTORS 1/4-WATTS 5% UNLESS SHOWN.
- 2. ALL CAPACITORS IN UF. 100V UNLESS SHOWN.
- 3. HEAVY LINE SHOWS MAIN SIGNAL PATH.
- 4. USE QSC REPLACEMENT TRANSISTORS ONLY.
- 5. "FP" FLAME PROOF RESISTOR.
- 6. Z13-Z17 ZENER DIODES.
- 7. B1-B4 BRIDGE RECTIFIERS.
- 8. LD1-LD6 FRONT PANEL LED'S.

□ TRANSFORMER AND OUTPUT CONNECTOR PINS
 ○ CONNECTING WIRES ON PCB.



SH-855000-FM 3350 SCHEMATIC