

SCHEMATIC A21-A22 (REVISED JUNE 1980)

BALANCED LINE
INPUTS:

BALANCED-UNBAL
CONVERTER

HIGH AND LOW
FREQ. ROLLOFFS

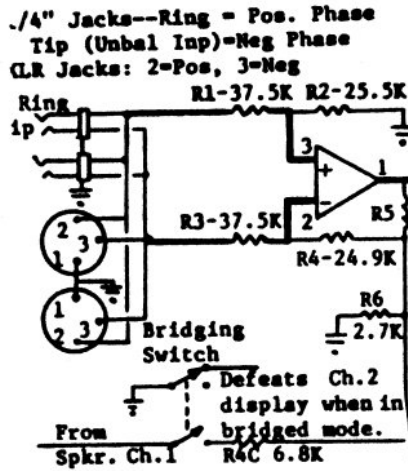
POWER AMP INPUT;
AC,DC FEEDBACKS

CROSSOVER BIAS, IC SUPPLY
& SHORT CIRCUIT LIMITING

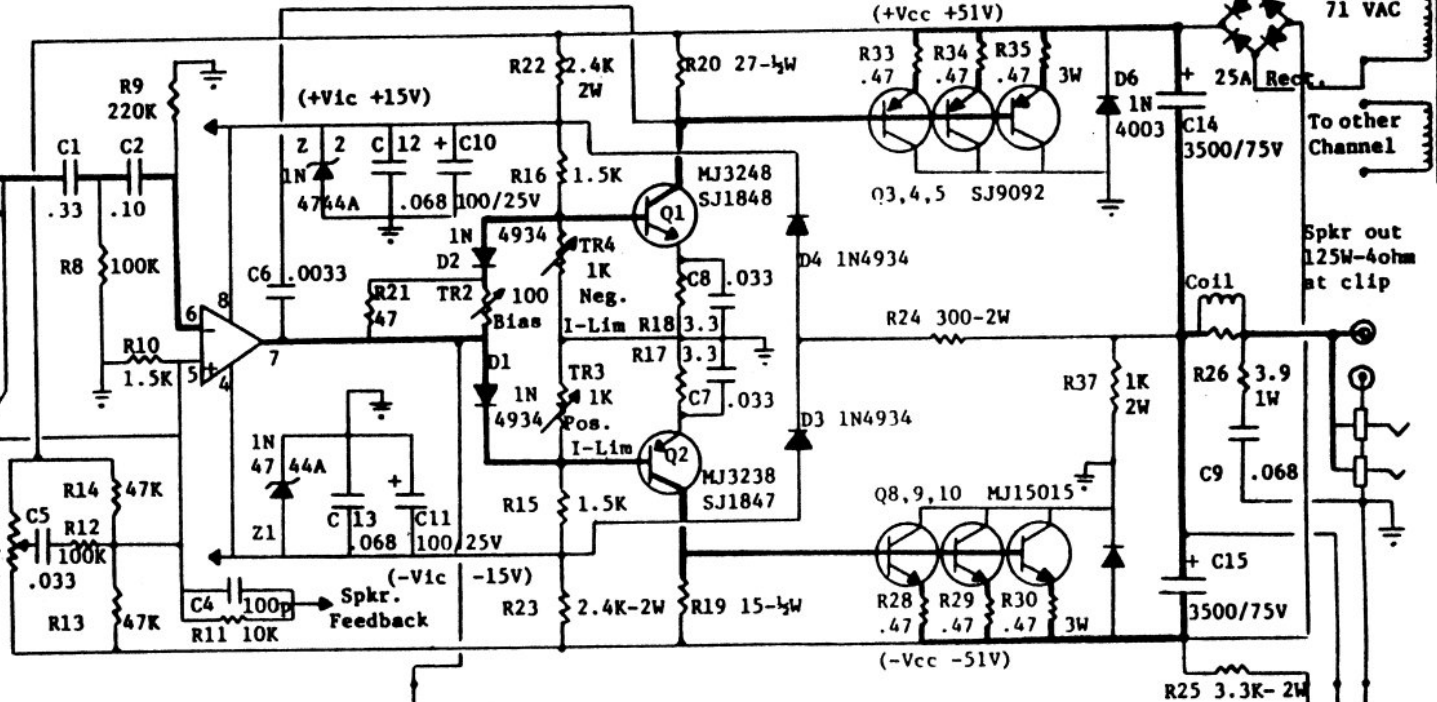
POWER OUTPUT
TRANSISTORS

FILTER/OUTPUT
CAPACITORS

FAULT
FUSE: GLH



IC: Dual
Op-Amp
NE5530N



QSC Power Amplifier A21/22

1. Single Channel shown; Ch.1 parts "R1a" etc; Ch.2 parts "R1b" etc.
2. Main signal path shown in heavy lines.
3. Model A22 has front panel LED's and PowerLimit circuit shown in dotted lines.
4. Model A21 has Gain and TDI circuits only.
5. All resistors 1/4W, 5% unless noted.
6. All capacitors in uf, 100V unless noted.
7. Use QSC-tested replacement transistors only.
8. IC pin diagram:

