

**SCHEMATIC A31-A32 (REVISED JUNE 1980)**

BALANCED LINE INPUTS: HIGH AND LOW FREQ. ROLLOFFS

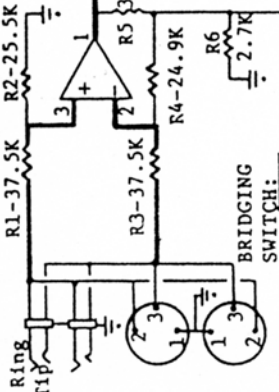
POWER AMP INPUT: CROSSOVER BIAS, IC SUPPLY AD, DC FEEDBACKS & SHORT CIRCUIT LIMITING

POWER OUTPUT TRANSISTORS

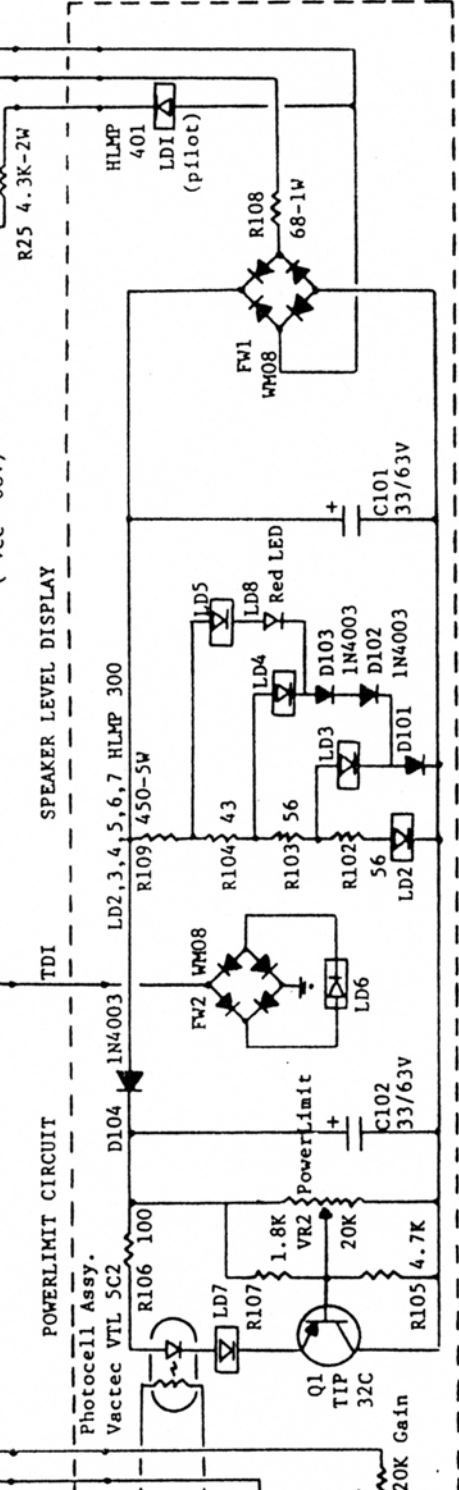
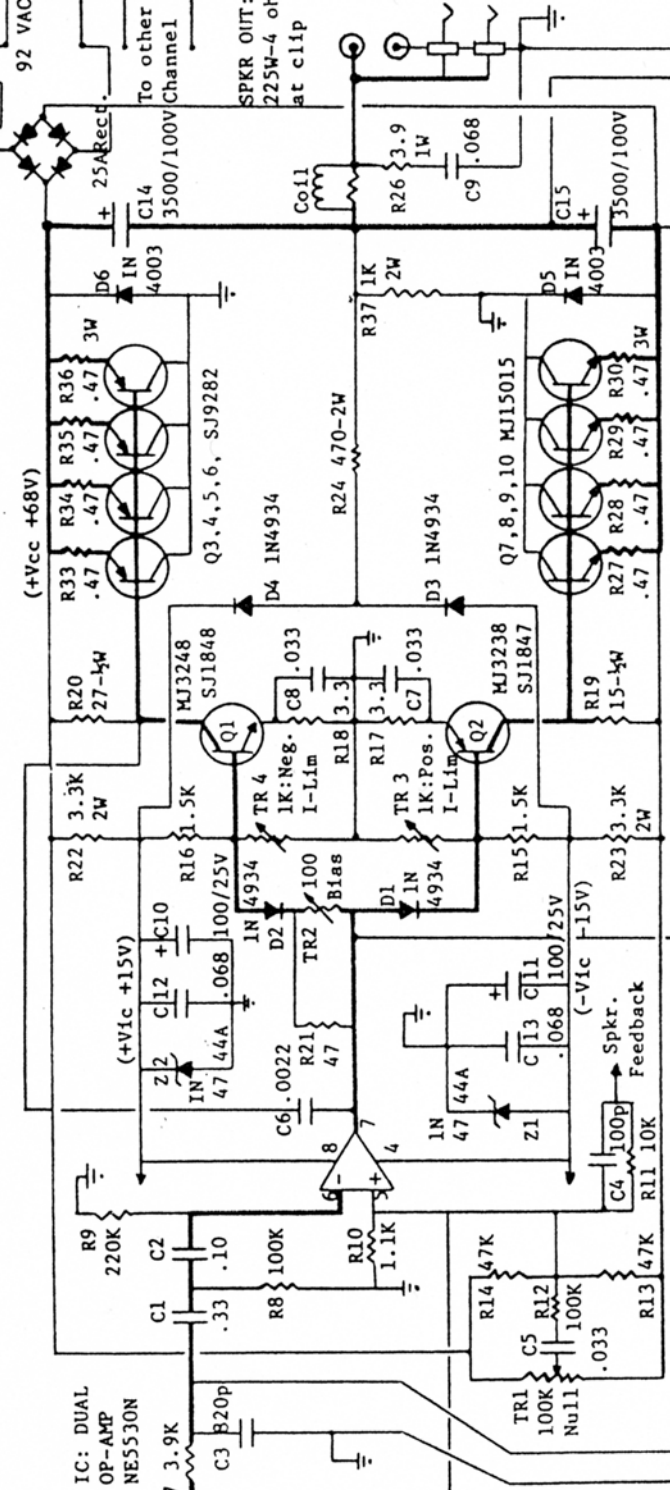
FILTER/OUTPUT CAPACITORS

FAULT FUSE: GLH

1/4" Jacks: Ring = Pos. Phase Tip (Unbal Inp) = Neg. Phase  
 XLR Jacks: 2 = Pos, 3 = Neg.



IC: DUAL OP-AMP NE5530N  
 R7 3.9K C3 B20p  
 R1-37.5K R2-25.5K R3-37.5K R4-24.9K R5 3.9K R6 2.7K  
 BRIDGING SWITCH: Defeats Ch.2 display when in bridged mode.  
 Spkr. Ch.1 R4C 6.8K



**QSC Power Amplifier A31/32**

1. Single Channel Shown: Ch.1 parts--"R1a" etc; Ch.2 parts--"R1b" etc.
2. Main signal path shown in heavy lines
3. Model A32 has front panel LED's and PowerLimit circuit in dotted lines.
4. Model A31 has Gain and TDI functions only.
5. All resistors 1/4W, 5% unless noted.
6. All capacitors in uf, 100V unless noted.
7. Use QSC-tested replacement transistors only.
8. IC pin diagram:

