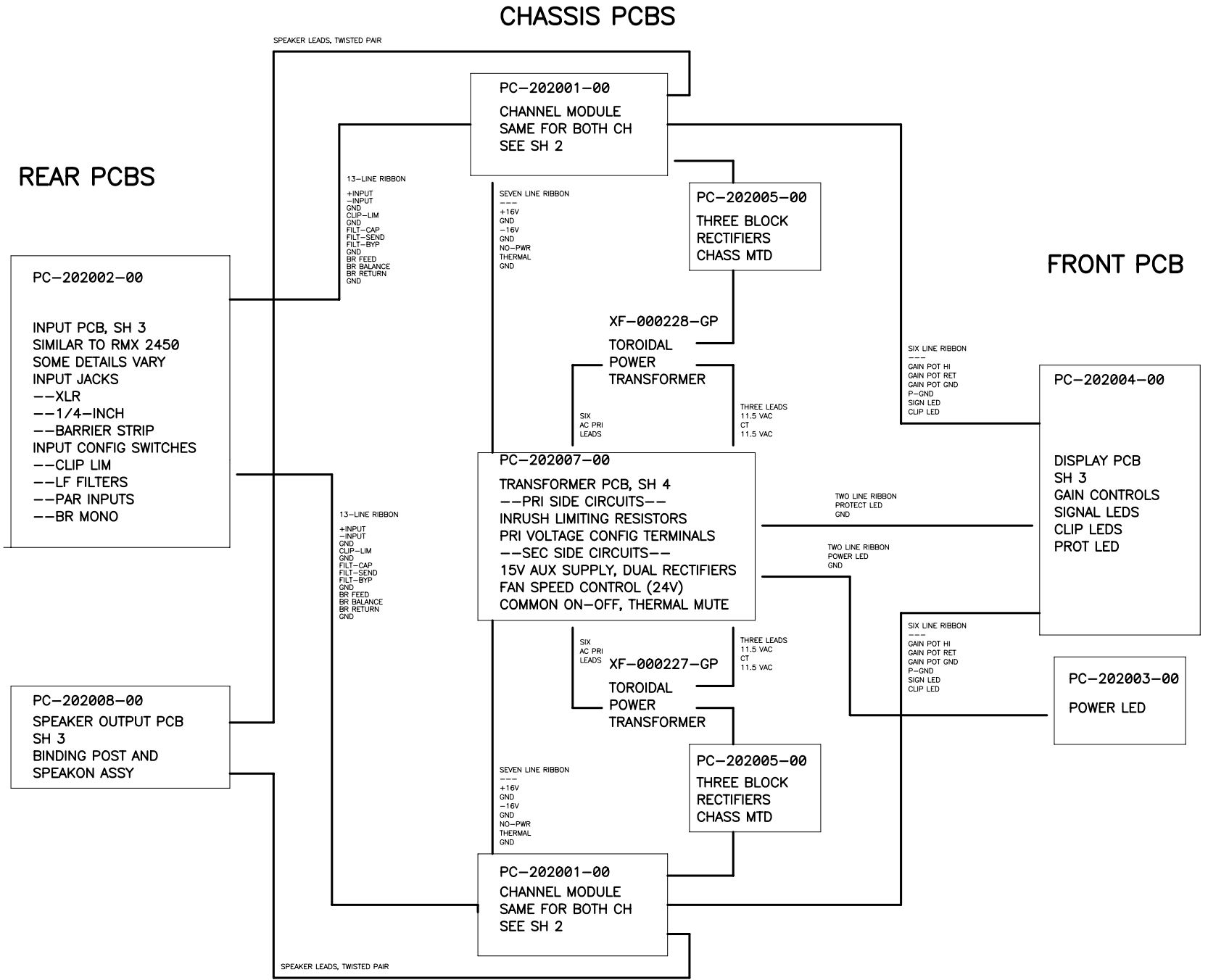


THIS DOCUMENT CONTAINS PROPRIETARY INFORMATION WHICH IS THE PROPERTY OF QSC AUDIO PRODUCTS, THAT MAY NOT BE DISCLOSED, REPRODUCED OR USED WITHOUT EXPRESS WRITTEN CONSENT FROM QSC AUDIO PRODUCTS.

REVISION				
REV	DESCRIPTION	EFF. DATE	CHK	APPROVED / DATE
1	FROM RMX5050, GAIN POTS, OUTPUT CONN, SIG LEADS	03-12-10		
A	RELEASE PER ECO 10186 NO CHANGES	08-23-10	ROBINDD	08-20-10

WIRING DIAGRAM AND PCB ARRANGEMENT



11. ZENER TOLERANCE IS 5%
 10. SMT CAPACITOR VOLTAGE IS 50V
 9. SMT RESISTOR WATTAGE RATING IS 0.1W UNLESS MARKED 1206, 0.2W SMT RESISTOR TOLERANCE 1%
 8. THRU HOLE RESISTORS USED FOR 1/4W AND HIGHER. FOR RESISTOR WATTAGE RATINGS GREATER THAN 1W, TOLERANCE IS 5% FOR RESISTOR WATTAGE RATINGS LESS THAN 1/2W, TOLERANCE IS 1%
 7. THROUGH-HOLE FILM AND CERAMIC CAPACITOR TOLERANCE IS 10%, VOLTAGE IS 100V
 6. ELECTROLYTIC CAPACITOR TOLERANCE IS 20%
 5. ALL RIBBON CABLES ARE CONNECTED PIN TO CORRESPONDING PIN
 4. PART NUMBERING SCHEME PARTS IN COMMON TO BOTH CH: 1-99. CH 1 AND 2 PARTS (USES SAME PCB) 101-UP
 3. COMPONENTS MARKED WITH Δ ARE SAFETY CRITICAL PARTS.
 2. COMPONENTS WITH VALUE PREFIXED WITH A ** REPRESENT SMT COMPONENTS.
 1. THIS DRAWING USED IN CONJUNCTION WITH ASSEMBLY WP-202001-00
- NOTES: UNLESS OTHERWISE SPECIFIED

QTY	ITEM NO.	PART NO.	DESCRIPTION	VENDOR
PARTS LIST				
UNLESS OTHERWISE SPECIFIED DIMENSIONS ARE IN INCHES. DIMENSIONS PER ANSI Y14.5-1982 TOLERANCES ARE:			CONTRACT NO.	
DECIMALS	DECIMALS	ANGLES	QSC AUDIO PRODUCTS, LLC COSTA MESA, CALIFORNIA	
.XX ±	.XXX ±	0	APPROVALS	DATE
DEBURR EDGES .XXX R MAX			DRAWN	03/12/2010
MATERIAL			I. OVERHOLT	
FINISH			CHECKED	08-12-10
NEXT ASSY USED ON			D. GALVAN	
APPLICATION			ISSUED	08-20-10
DO NOT SCALE DRAWING			D. DELARM	
			CAD SEED FILE NO.	PLOT DATE: Fri Aug 28, 2018
			SIZE	FSCM NO.
			D	SH-202001-00
			SCALE	NONE
			CAD FILE NO.	SH-202001-A.SCH
			SHEET	1 OF 4

A Rev 1 SH-202001-00 DWG NO.

THIS DOCUMENT CONTAINS PROPRIETARY INFORMATION WHICH IS THE PROPERTY OF QSC AUDIO PRODUCTS, THAT MAY NOT BE DISCLOSED, REPRODUCED OR USED WITHOUT EXPRESS WRITTEN CONSENT FROM QSC AUDIO PRODUCTS.

PC-202001-00
TO REAR PANEL INPUT PCB
SEE SH 3
14 PIN RIBBON

TO FRONT PANEL PCB
POT, SIG, CLIP LED
SEE SH 3
6 PIN RIBBON

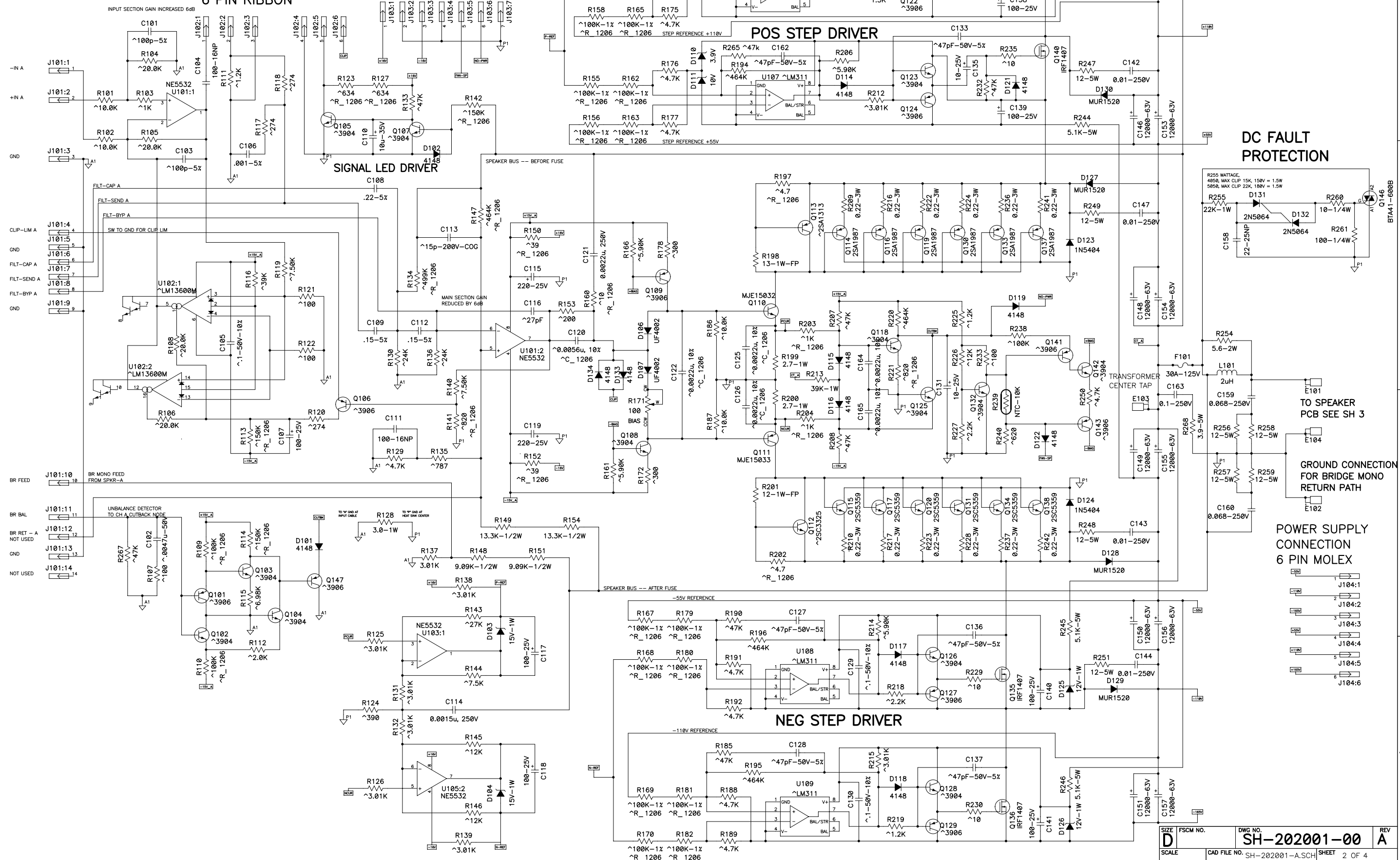
TO TRANSFORMER PCB
SEE SH 4
7 PIN RIBBON

DC FAULT PROTECTION

TO SPEAKER PCB
SEE SH 3

GROUND CONNECTION FOR BRIDGE MONO RETURN PATH

POWER SUPPLY CONNECTION
6 PIN MOLEX

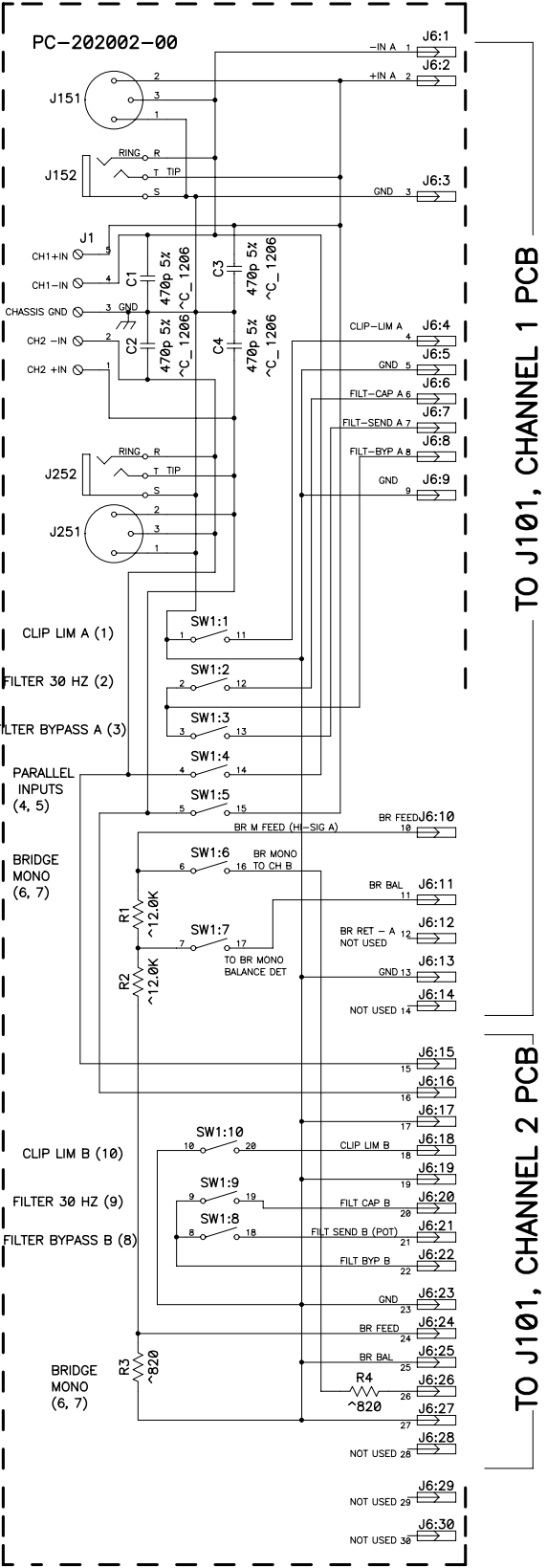


THIS DOCUMENT CONTAINS PROPRIETARY INFORMATION WHICH IS THE PROPERTY OF QSC AUDIO PRODUCTS. THAT MAY NOT BE DISCLOSED, REPRODUCED OR USED WITHOUT EXPRESS WRITTEN CONSENT FROM QSC AUDIO PRODUCTS.

REAR PANEL INPUT PCB DUAL 14-CONDUCTOR CABLES ONE TO EACH CHANNEL

CH 1 INPUTS

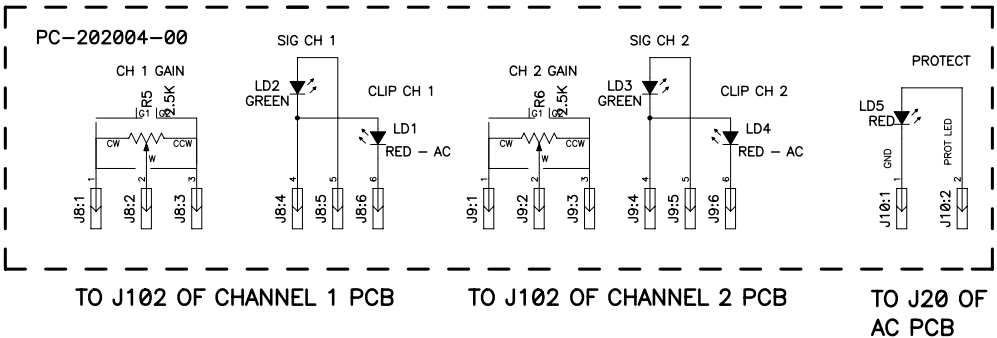
CH 2 INPUTS



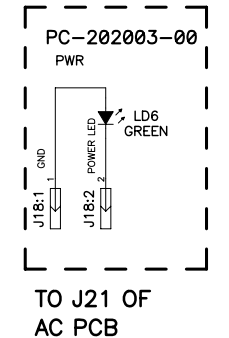
-IN B
+IN B
GND
CLIP-LIM B
GND
FILT-CAP B
FILT-SEND B
FILT-BYP B
GND
BR FEED
USED FOR BAL
BR BAL B
NOT USED ON CH B
BR RET - B
FB NODE
GND

NOTE - NEW
2.5K LINEAR 3B
RIGHT ANGLE POT,
21 DETENT

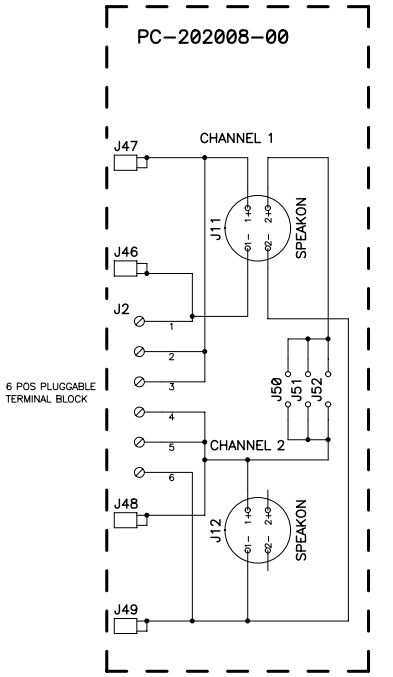
FRONT PCB, 2-GAIN, 2-SIG LED, 2-CLIP LED, PROT LED



POWER LED PCB



SPEAKER PCB



THIS DOCUMENT CONTAINS PROPRIETARY INFORMATION WHICH IS THE PROPERTY OF QSC AUDIO PRODUCTS, THAT MAY NOT BE DISCLOSED, REPRODUCED OR USED WITHOUT EXPRESS WRITTEN CONSENT FROM QSC AUDIO PRODUCTS.

TABLE 1

AC LINE VOLTAGE			
100V	120V	240V	TAB
A	A	A	J21
D	D	-	J22
C	B	B	J23
-	-	C	J24
-	-	D	J25
F	E	E	J26
B	C	-	J27
E	F	F	J28

POWER TRANSFORMER PRIMARY LEAD COLOR

TABLE 2

AC LINE VOLTAGE			
	100V	120V	240V
CIRCUIT BREAKER	20A-125V	20A-125V	10A-250V
INRUSH RESISTOR	1 OHM 30A	1 OHM 30A	4 OHM 15A
LINE FILTER	NO	NO	YES

