

THIS DOCUMENT CONTAINS PROPRIETARY INFORMATION WHICH IS THE PROPERTY OF QSC AUDIO PRODUCTS, THAT MAY NOT BE DISCLOSED, REPRODUCED OR USED WITHOUT EXPRESS WRITTEN CONSENT FROM QSC AUDIO PRODUCTS.

REVISION				
REV	DESCRIPTION	EFF. DATE	CHK	APPROVED / DATE
1	FROM RMX1450, GAIN POTS, OUTPUT CONN, SIG LEDS	03-12-10		
A	RELEASE PER ECO 10186 NO CHANGES	08-23-10	ROBINDD	08-20-10

- 11. ZENER TOLERANCE IS 5%
- 10. SMT CAPACITOR VOLTAGE IS 50V
- 9. SMT RESISTOR WATTAGE RATING IS 0.1W
- 8. RESISTOR WATTAGE RATING IS 1/4W  
FOR RESISTOR WATTAGE RATINGS GREATER THAN 1W, TOLERANCE IS 5%  
FOR RESISTOR WATTAGE RATINGS LESS THAN 1/2W, TOLERANCE IS 1%
- 7. THROUGH-HOLE FILM AND CERAMIC CAPACITOR TOLERANCE IS 10%, VOLTAGE IS 100V
- 6. ELECTROLYTIC CAPACITOR TOLERANCE IS 20%
- 5. J104, J204 ARE CONNECTED PIN TO PIN BY 13-LINE RIBBON CABLE.
- 4. PART NUMBERING SCHEME  
PARTS IN COMMON TO BOTH CH: 1-99. CH 1 PARTS 101-199, CH 2 PARTS 201-299.
- 3. COMPONENTS MARKED WITH  $\Delta$  ARE SAFETY CRITICAL PARTS.
- 2. COMPONENTS WITH VALUE PREFIXED WITH A "\*" REPRESENT SMT COMPONENTS.
- 1. THIS DRAWING USED IN CONJUNCTION WITH ASSEMBLY WP-200501-00  
NOTES: UNLESS OTHERWISE SPECIFIED

QTY	ITEM NO.	PART NO.	DESCRIPTION	VENDOR
<b>PARTS LIST</b>				
UNLESS OTHERWISE SPECIFIED DIMENSIONS ARE IN INCHES. DIMENSIONS PER ANSI Y14.5-1982 TOLERANCES ARE: DECIMALS    DECIMALS    ANGLES .XX ±        .XXX ±        ° DEBURR EDGES .XXX R MAX MATERIAL			CONTRACT NO. <b>QSC AUDIO PRODUCTS, LLC</b> COSTA MESA, CALIFORNIA	
FINISH			APPROVALS	DATE
NEXT ASSY    USED ON			DRAWN I. OVERHOLT	03/12/2010
APPLICATION			CHECKED D. GALVAN	08-12-10
DO NOT SCALE DRAWING			ISSUED D. DELARM	08-20-10
			CAD SEED FILE NO.	PLOT DATE: Fri Aug 20, 2010
		SCALE	NONE	CAD FILE NO. SH-200501-A.SCH

**SCHEMATIC DIAGRAM**  
**CMX500V**

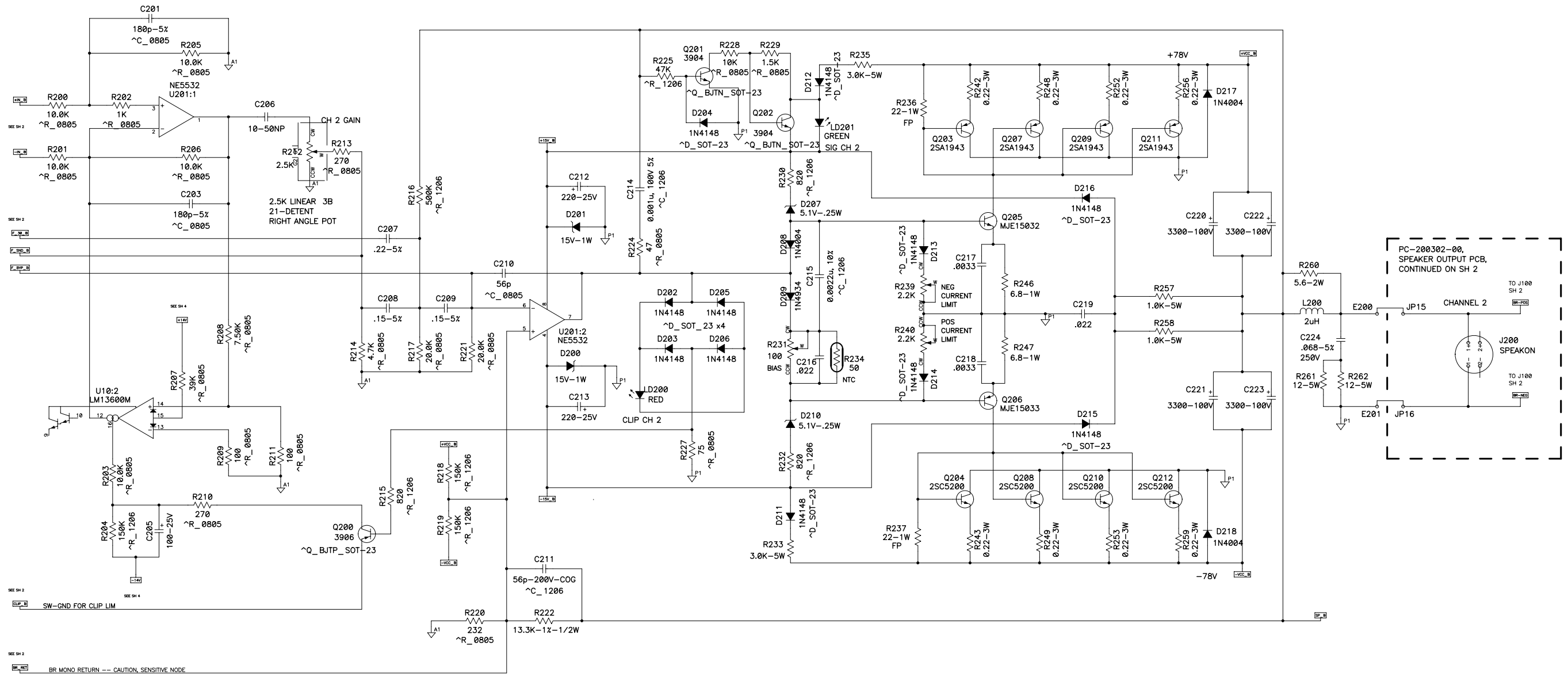
SIZE	FSCM NO.	DWG NO.	REV
D		SH-200501-00	A
SHEET 1 OF 4			

A-REV 1 SH-200501-00 DWG NO.



THIS DOCUMENT CONTAINS PROPRIETARY INFORMATION WHICH IS THE PROPERTY OF QSC AUDIO PRODUCTS, THAT MAY NOT BE DISCLOSED, REPRODUCED OR USED WITHOUT EXPRESS WRITTEN CONSENT FROM QSC AUDIO PRODUCTS.

### CHANNEL-2



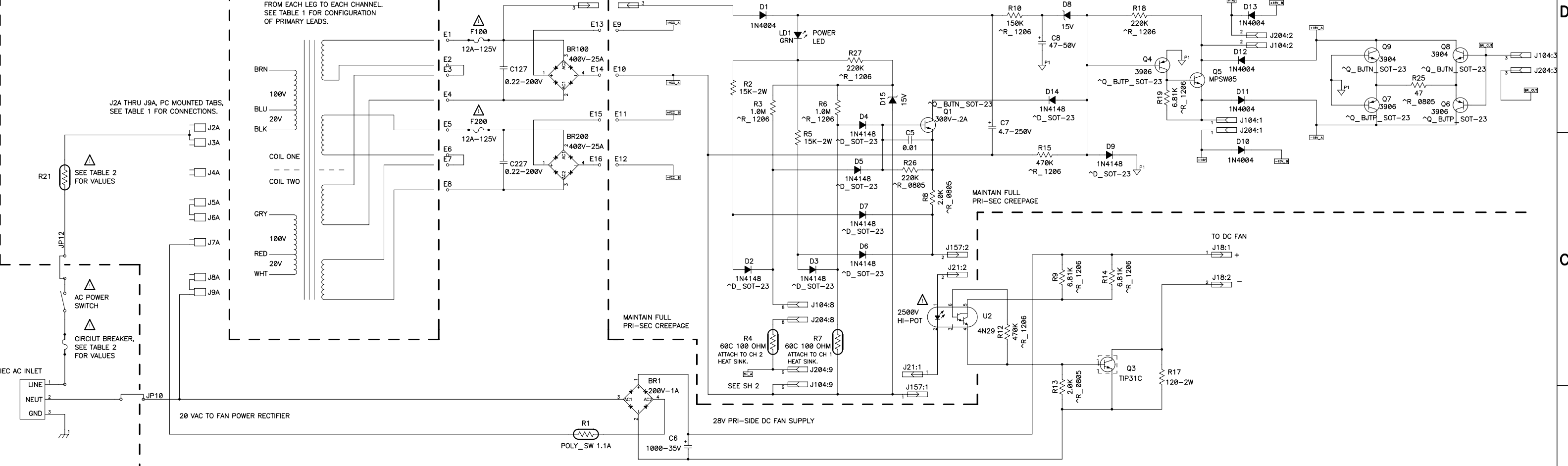
SEE SH 2 SW-GND FOR CLIP LIM

SEE SH 4

SEE SH 2 BR MONO RETURN -- CAUTION, SENSITIVE NODE

THIS DOCUMENT CONTAINS PROPRIETARY INFORMATION WHICH IS THE PROPERTY OF QSC AUDIO PRODUCTS, THAT MAY NOT BE DISCLOSED, REPRODUCED OR USED WITHOUT EXPRESS WRITTEN CONSENT FROM QSC AUDIO PRODUCTS.

PC-200302-00, AC PCB



TOROIDAL POWER TRANSFORMER  
NOTE SPLIT SECONDARY WIRING FROM EACH LEG TO EACH CHANNEL.  
SEE TABLE 1 FOR CONFIGURATION OF PRIMARY LEADS.

BRN 100V  
BLU 20V  
BLK  
COIL ONE  
COIL TWO  
GRY 100V  
RED 20V  
WHT

J2A THRU J9A, PC MOUNTED TABS, SEE TABLE 1 FOR CONNECTIONS.

R21 SEE TABLE 2 FOR VALUES

AC POWER SWITCH  
CIRCUIT BREAKER, SEE TABLE 2 FOR VALUES

IEC AC INLET  
LINE  
NEUT  
GND

POWER TRANSFORMER PRIMARY LEAD COLOR	AC LINE VOLTAGE			TAB
	100V	120V	240V	
BRN	BRN	BRN		J2A
GRY	GRY	-		J3A
BLK	BLU	BLU		J4A
-	-	BLK		J5A
-	-	GRY		J6A
WHT	RED	RED		J7A
BLU	BLK	-		J8A
RED	WHT	WHT		J9A

	AC LINE VOLTAGE		
	100V	120V	240V
CIRCUIT BREAKER	15A-125V	15A-125V	7.5A-250V
R21	1 OHM 30A	1 OHM 30A	1 OHM 30A